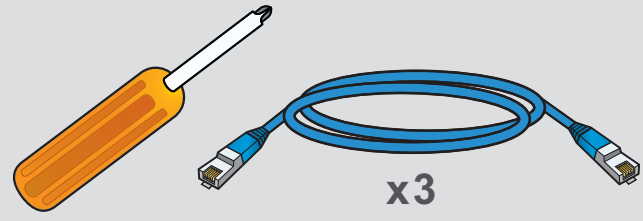


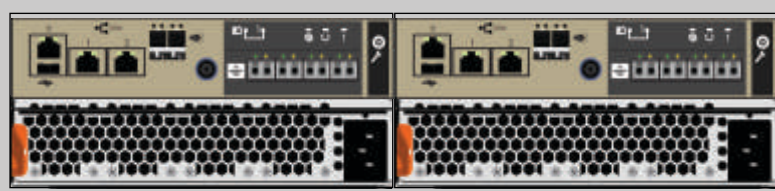
① Prepare for setup

You will need:

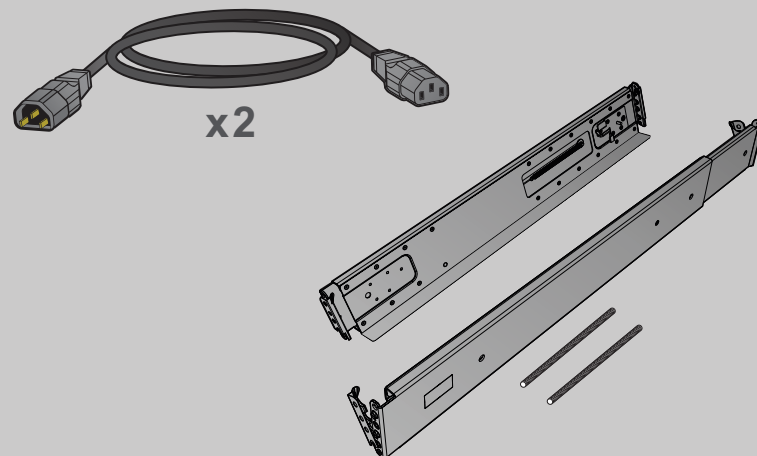
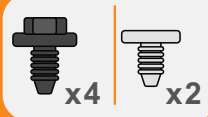


② Verify the enclosure packages

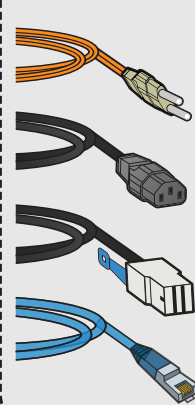
* Control enclosure



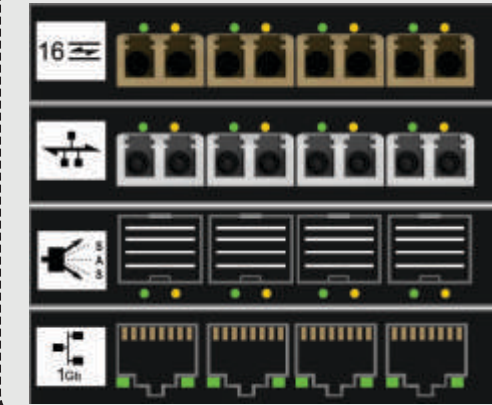
Hardware kit contains extra screws and pins for various rack types.



Optional



Optional

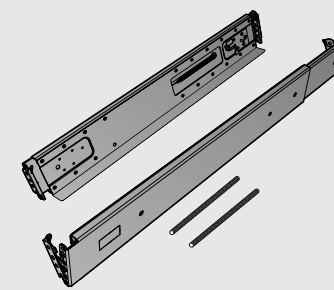
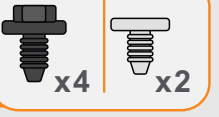


Expansion enclosure

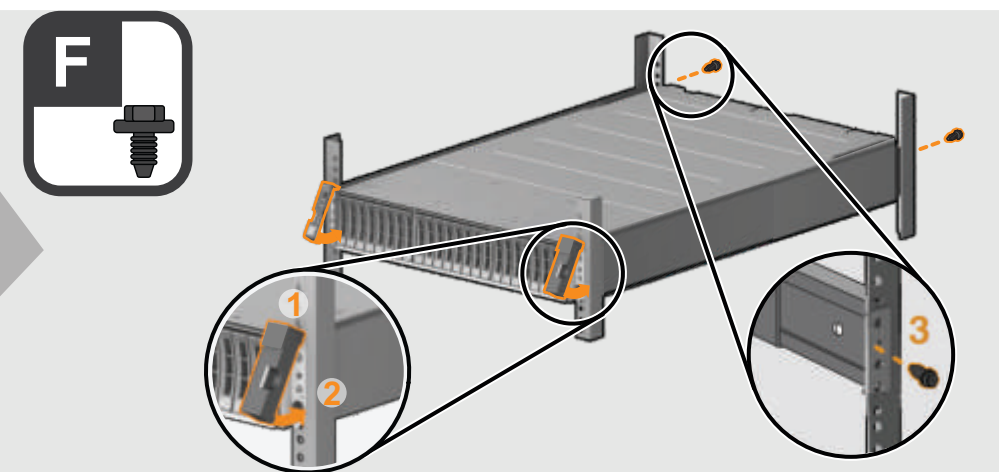
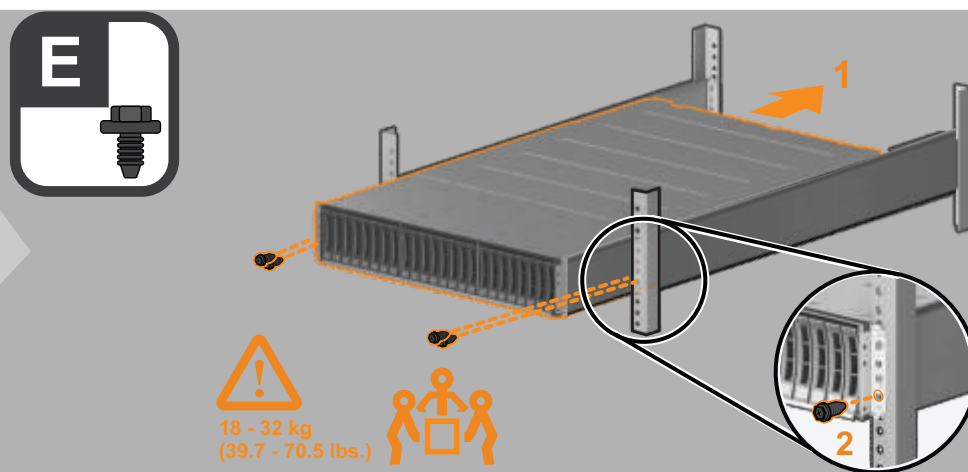
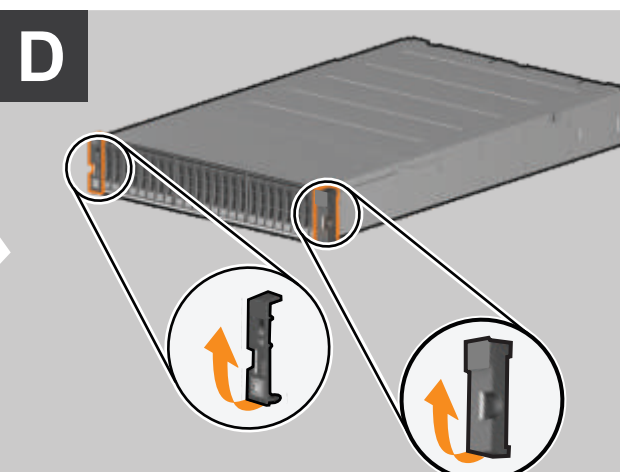
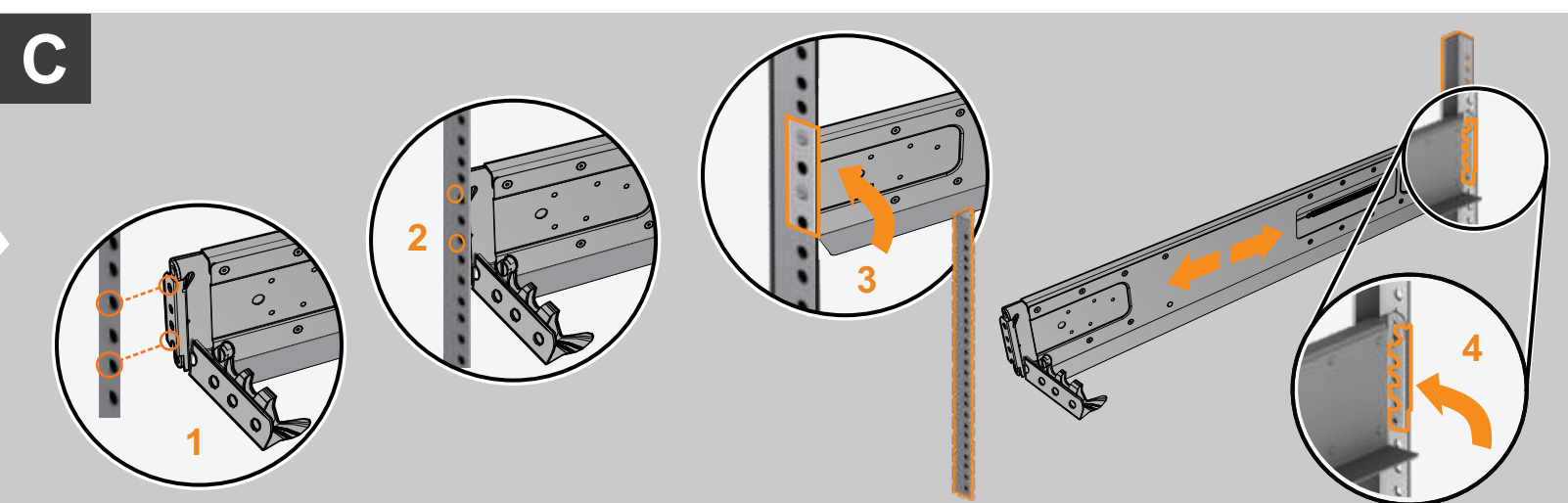
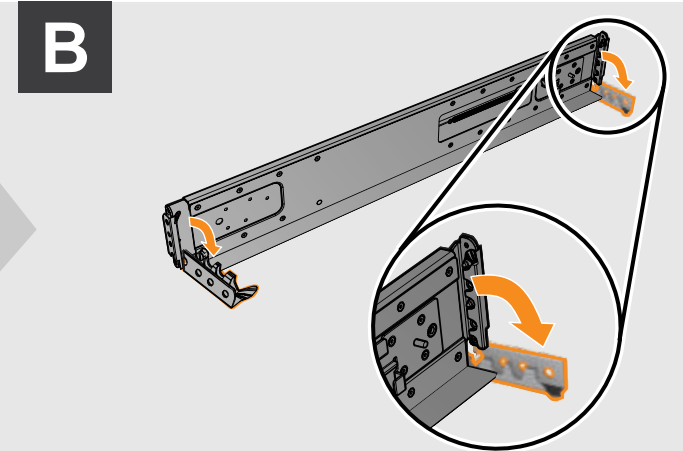
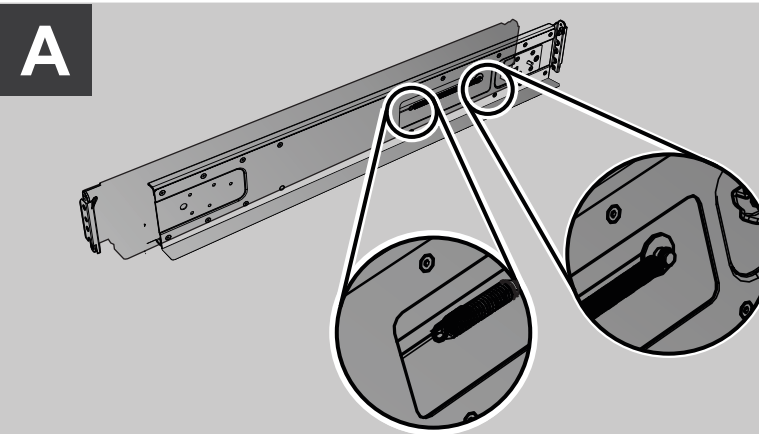
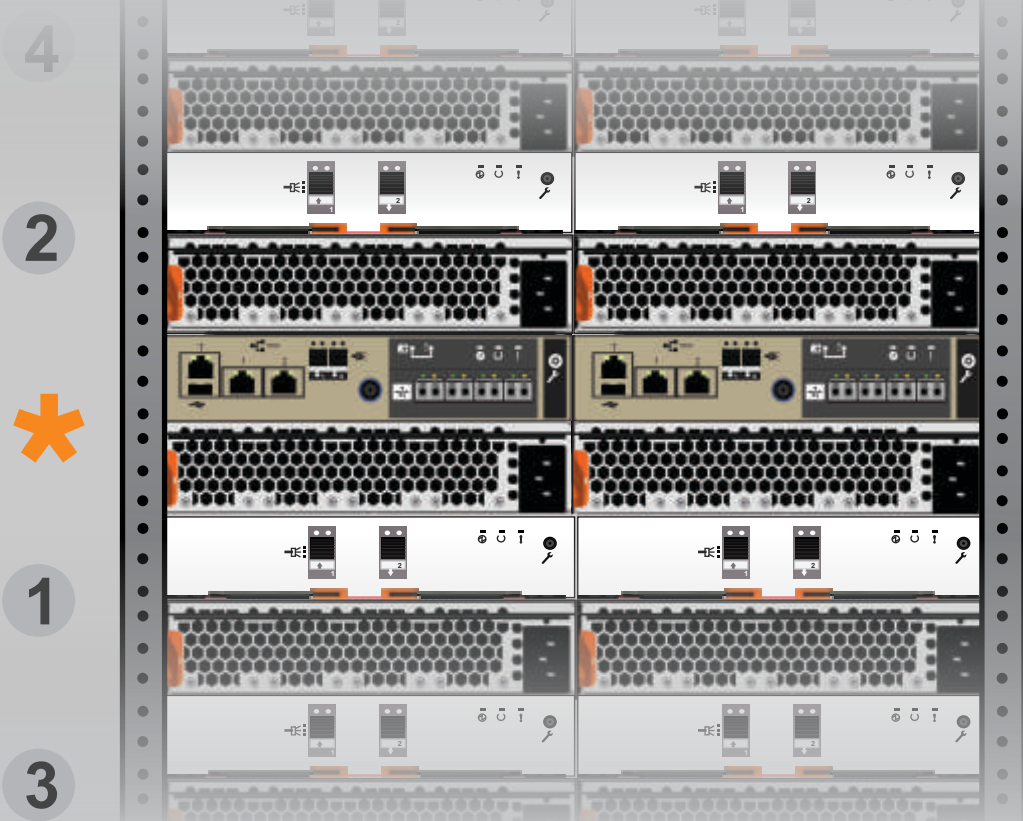
Optional



Hardware kit contains extra screws and pins for various rack types.



③ Install enclosures



01EJ629

④ Connect cables

A

B

Optional

⑤ Power on

Status LED blinks on control enclosure and is solid on expansion enclosures.

⑥ Set up the system

- DHCP available: personal computer is automatically configured
- DHCP not available:
 - IP address (192.168.0.2)
 - Subnet mask (255.255.255.0)
 - DNS server (192.168.0.1)

System Initialization

Welcome

This wizard initializes the system for the first time.

Before starting this procedure ensure that you have the management IP address information.

← BACK Next → Cancel