

**IBM 2U Universal Tape Autoloader,
3362-2LX**



Manual Magazine Removal Procedure

Information

Under certain circumstances it may be necessary that either remove one or both magazines of the IBM 2U Universal Tape Autoloader, 3362-2LX, manually. This document describes the necessary steps.

Note: There are no health and safety issues when following this procedure.

Required tools

In order to manually remove the magazine(s) a slim tool such as a paper clip may be needed as shown in Figure 1 below.

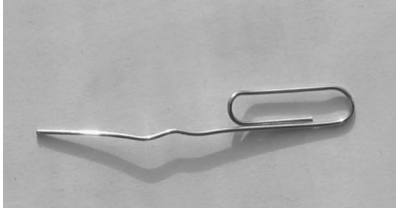


Figure 1 Paper clip needed for manually removing the 3362-2LX magazines

Figure 1

Locations

Figure 2 shows the 3362-2LX unit with the magazines still inserted.



Figure 2

Figure 3 shows on the back side of the IBM 2U Universal Tape Autoloader, 3362-2LX, where the holes are that are used for manually releasing the magazines. These have been highlighted.



Figure 3

Figure 4 shows in close up where these holes are that are covered up.

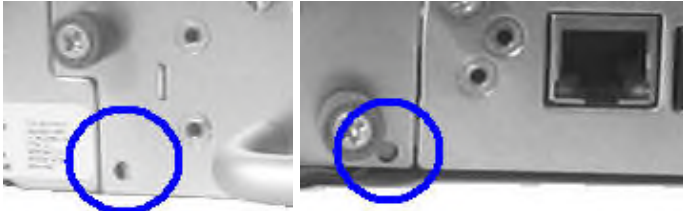


Figure 4 Left and right access holes for manual magazine release

Figure 5 shows the 3362-2LX when the tape drive has been removed

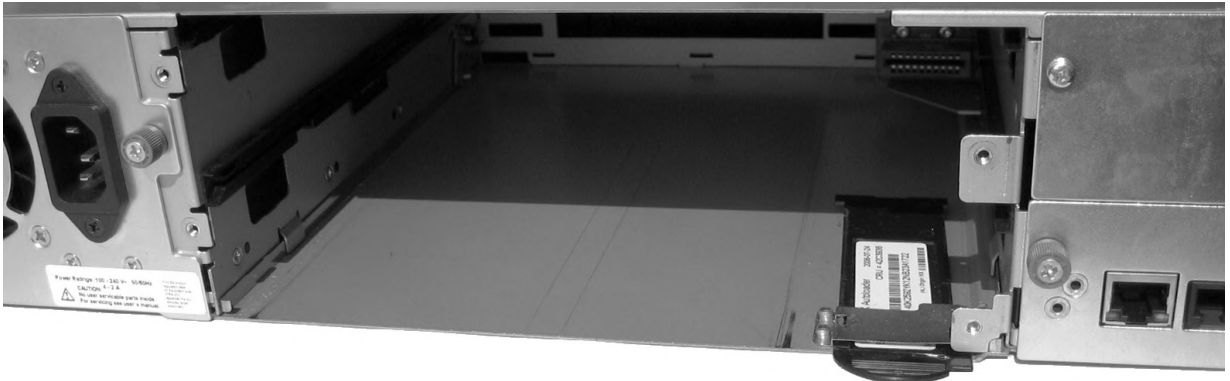


Figure 5

Figure 6 shows the access holes on the tape drive sled



Figure 6 **Left** - left access hole on the tape drive sled, bottom inside view
Right - right access hole on the tape drive sled, bottom inside view

Figure 7 shows the access holes as seen on the 3362-2LX chassis when the tape drive has been removed from the 3362-2LX unit.

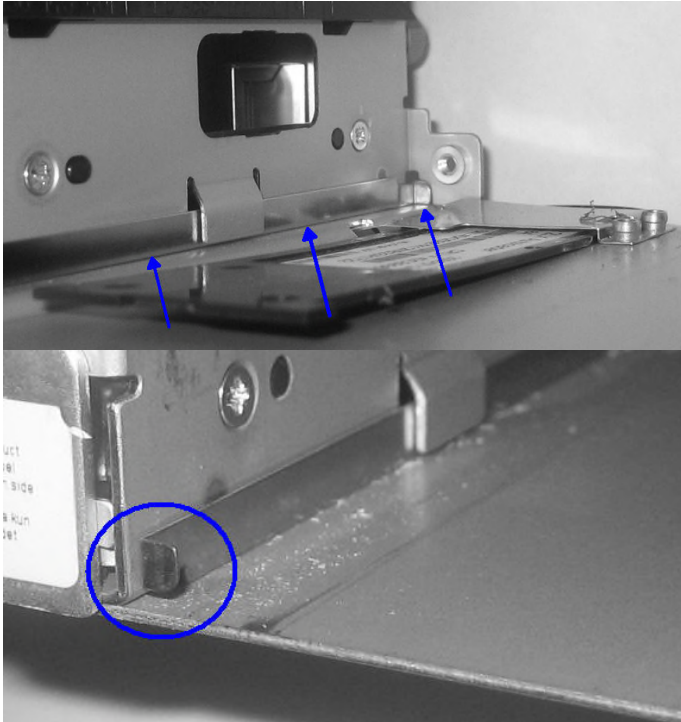


Figure 7 **Top** - Right access hole covered by the horizontal push rod, highlighted

Bottom - Left access hole covered by the horizontal push rod, highlighted

Manual magazine removal procedure

Note: The manual magazine removal procedure is the same for both the SCSI LTO Gen 3 and the Fibre LTO Gen 3 tape drive.

1. Ensure that all pending operations are completed such as backups, restore, or inventory etc.
2. Ensure that the unit is switched off
3. Disconnect the power cord from the wall socket
4. Disconnect the power cord from the 3362-2LX unit
5. Find the access holes for the right and left magazines. See Figure 8 and Figure 9



Figure 8 Left and right access holes at the back of the 3362-2LX, highlighted

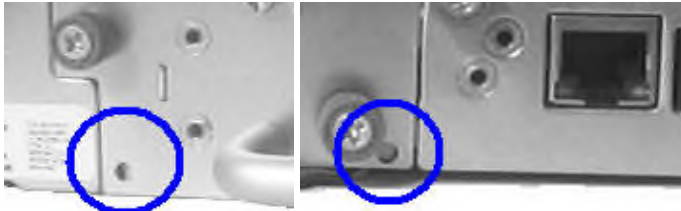


Figure 9 Left and right access holes for manual magazine release

6. To manually release the magazines, push the end of a straightened paper clip into the access hole for each magazine at the back of the library. While holding the paper clip, have a second person pull the magazine out of the front of the unit. See Figure 10 and Figure 11

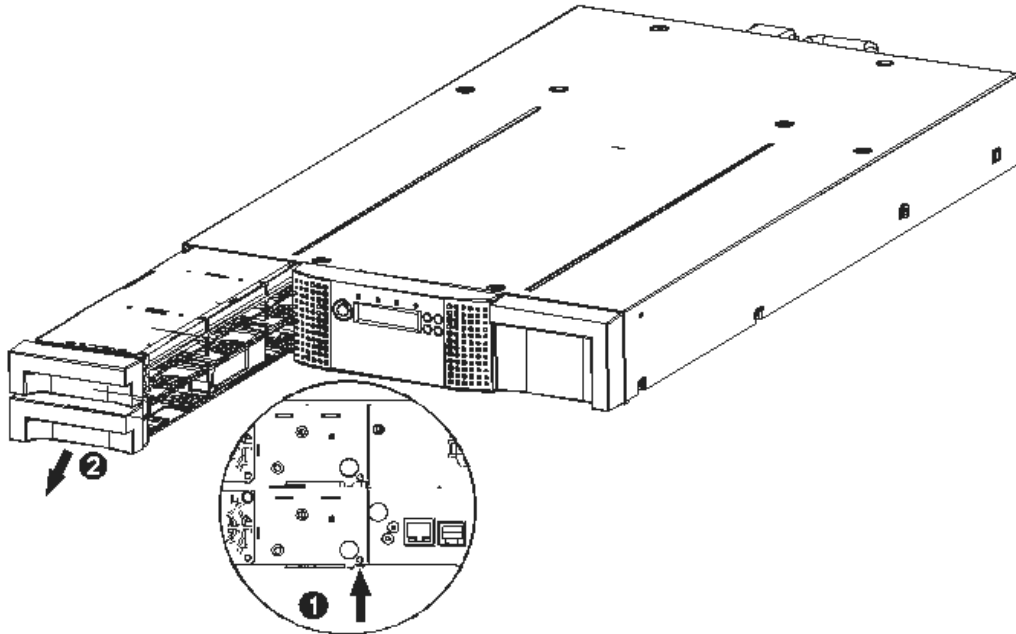


Figure 10



Figure 11 Both magazines have been released

7. If there are additional tapes still in the library, or if you were unable to manually remove the magazines and drive, contact IBM System x technical support for further assistance

THIS DOCUMENT WAS WRITTEN BY CHRISTIAN FLATSCHER

© 2009 IBM CORP.

© 2009 IBM UK LTD.