

Storage Configurator

Lenovo ThinkStation P3 Tower, P3 Ultra, and P3 Tiny



Table of Contents

Overview.....	3
Section 1 – Installing NVMe Devices in P3 Tower.....	4
Section 2 – Installing NVMe Devices in P3 Ultra.....	9
Section 3 – Installing NVMe Devices in P3 Tiny.....	14
Section 4 – Installing SATA Drives in P3 Tower.....	17
Section 5 – Installing SATA Drives in P3 Ultra.....	29
Section 6 – RAID Levels.....	33
Section 7 – Configuring RAID.....	35
Section 8 – Optical Disk Drive in P3 Tower.....	45
Section 9 – Appendix.....	47
Section 10 – Document Revision History.....	53



Overview

The purpose of this document is to provide guidelines for users on how to optimally configure the system storage in the ThinkStation P3 series platform to ensure proper functionality.

Below is a table showing the drive type support of each system in the P3 series:

Table 1 - P3 Series Storage Support

System	M.2 NVMe	SATA	Notes
P3 Tower	Supported, Max QTY: 3*	Supported, Max QTY: 4*	3.5" SATA or 2.5" SATA with adapter
P3 Ultra	Supported, Max QTY: 2	Supported, Max QTY: 1	2.5" SATA only
P3 Tiny	Supported, Max QTY: 2	Not Supported	

*Max quantity varies by configuration. See [Section 1](#) & [Section 4](#) for more information.

The following sections give detailed instructions on the installation of M.2 NVMe and SATA drives, as well as provide part numbers for required components needed for proper installation. ODD support in P3 Tower is discussed in [Section 8](#).

P3 Tower, P3 Ultra, and P3 Tiny support RAID levels 0 & 1 for onboard NVMe drives. P3 Tower can support levels 0, 1, 5, & 10 for SATA drives depending on system configuration. RAID configurations and setup instructions are discussed in [Section 6](#) and [Section 7](#).

Section 1 – Installing NVMe Devices in P3 Tower

M.2 NVMe devices can be installed into the following locations on the ThinkStation P3 Tower motherboard below. The M.2 NVMe drives may use the dedicated PCIe Gen 4 capable onboard M.2 slots or use a Gen 3 PCIe M.2 Add-In Card (AIC) in PCIe Slot 3. P3 Tower supports up to two double-sided 4TB M.2 2280 drives in the onboard slots and up to one single-sided 2TB M.2 2280 in the AIC. The P3 chassis has the ability to mount M.2 22110 and M.2 2242 drives, however at the time of this writing, all Lenovo supported M.2 drives for P3 Tower are 2280.

Figure 1 - P3 Tower Motherboard Diagram with NVMe Callouts

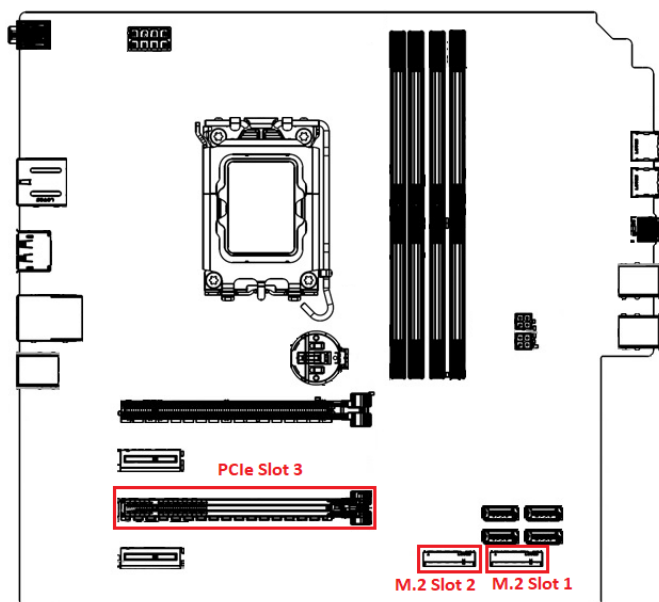
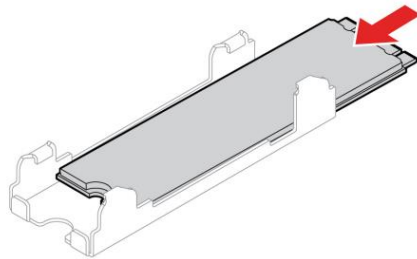


Figure 2 - P3 Tower Chassis with NVMe Callouts

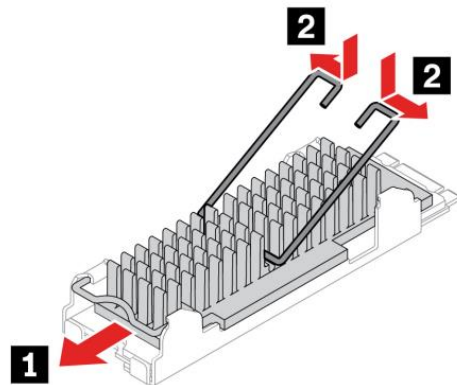


For M.2 NVMe drives in the onboard M.2 slots:

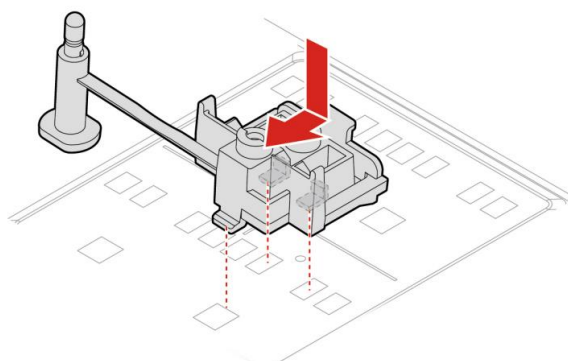
1. Remove the film that covers the thermal pad on the carrier, if any. Then, install the M.2 solid-state drive by sliding the drive in the carrier.



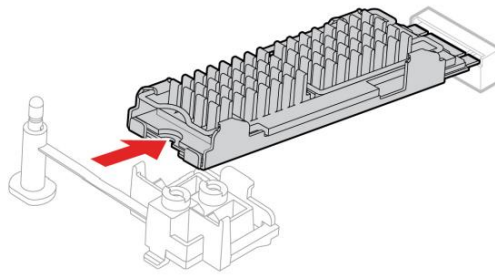
2. Remove the film that covers the thermal pad at the bottom of the heat sink, if any. Then, install the heat sink onto the M.2 drive in the bracket.



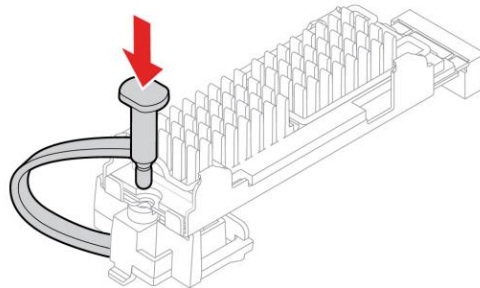
3. If not already present, install the M.2 drive bracket into the system.



4. Install the heat sink with the bracket into the system.

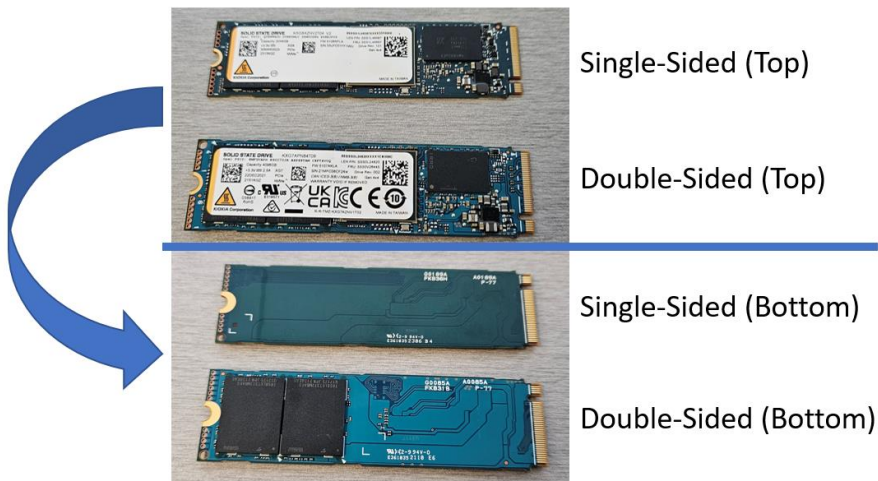


5. Insert the stopper.



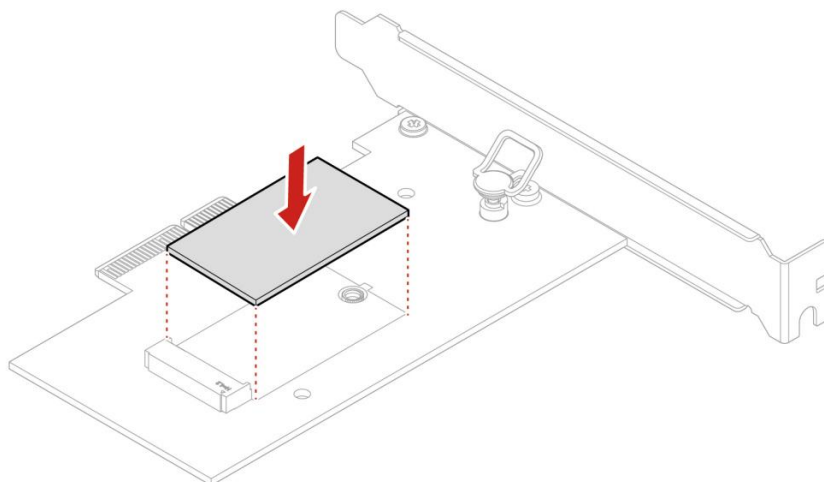
Note: P3 Tower systems come equipped with only the necessary onboard M.2 parts required for the configuration when it was originally ordered from Lenovo. Adding an M.2 drive to an open onboard slot requires the option kit [4XF1C39743](#), which includes the heatsink assembly and stopper seen in the instructions above. For supported double-sided 4TB M.2 drives, FRU [5F10U94103](#) is needed instead. See [Appendix](#) for more details.

Below is a visual comparison between single-sided and double-sided drives:

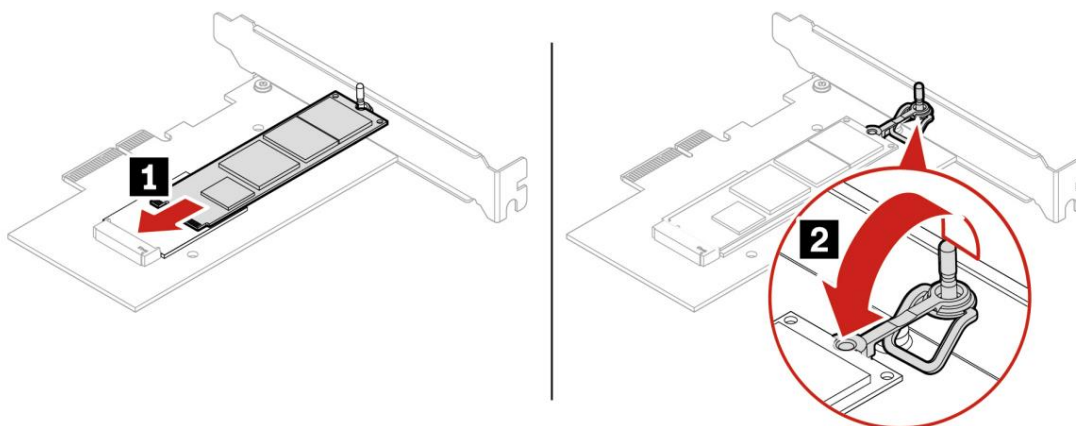


For M.2 NVMe drives installed in the PCIe Add-in Card (AIC):

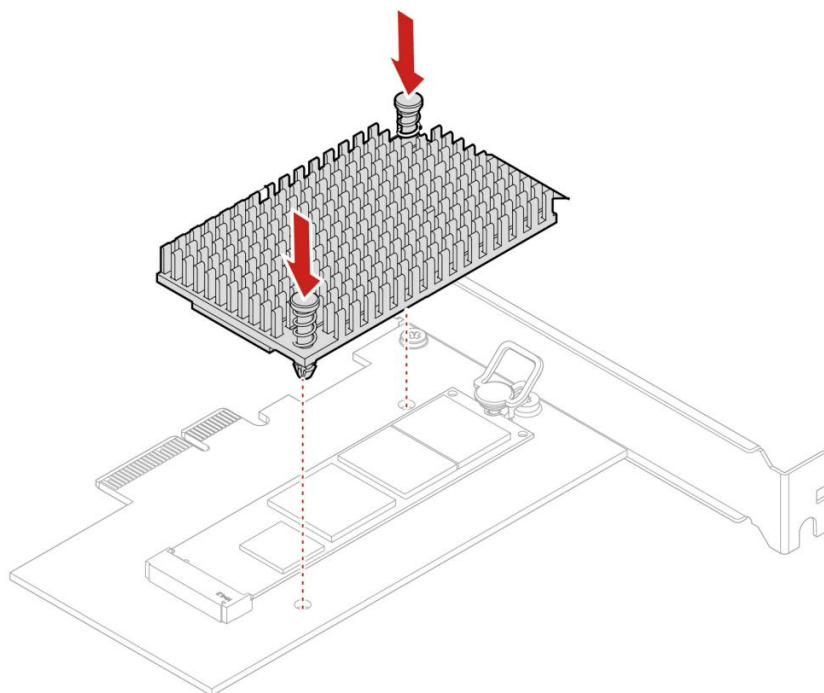
1. Ensure that a thermal pad is placed in position on the M.2 solid-state drive PCIe adapter.



2. Insert the new M.2 solid-state drive into the M.2 slot. Then, insert the plug of the retention latch into the hole to secure the new drive.



3. Position the heat sink on the M.2 solid-state drive PCIe adapter. Ensure that the two mounting studs in the heat sink are aligned with the holes in the M.2 solid-state drive PCIe adapter. Then, push the mounting studs downward to secure the heat sink to the adapter.



Note: The M.2 NVMe Add-in Card's option part number is [4XH0L08578](#). This kit will include the add-in card, thermal pad, and heatsink. See [Appendix](#) for more details.

Section 2 – Installing NVMe Devices in P3 Ultra

M.2 NVMe devices can be installed into the following locations on the ThinkStation P3 Ultra motherboard below. Both onboard M.2 NVMe slots are PCIe Gen 4 capable and can each support up to a double-sided 4TB M.2 2280 drives. When opening the chassis, the NVMe slots are on the side of the motherboard opposite the CPU, beneath their own dedicated heatsink. The steps to access the M.2 slots are outlined in this section.

Figure 3 - P3 Ultra Motherboard Diagram with NVMe Callouts

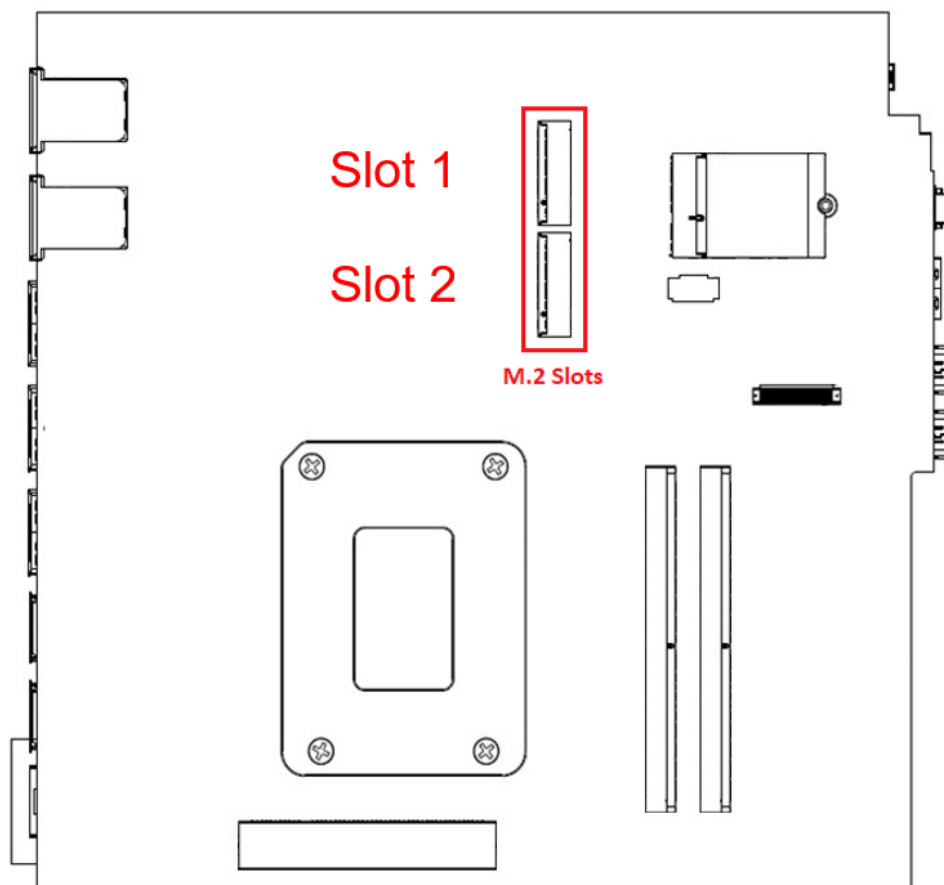
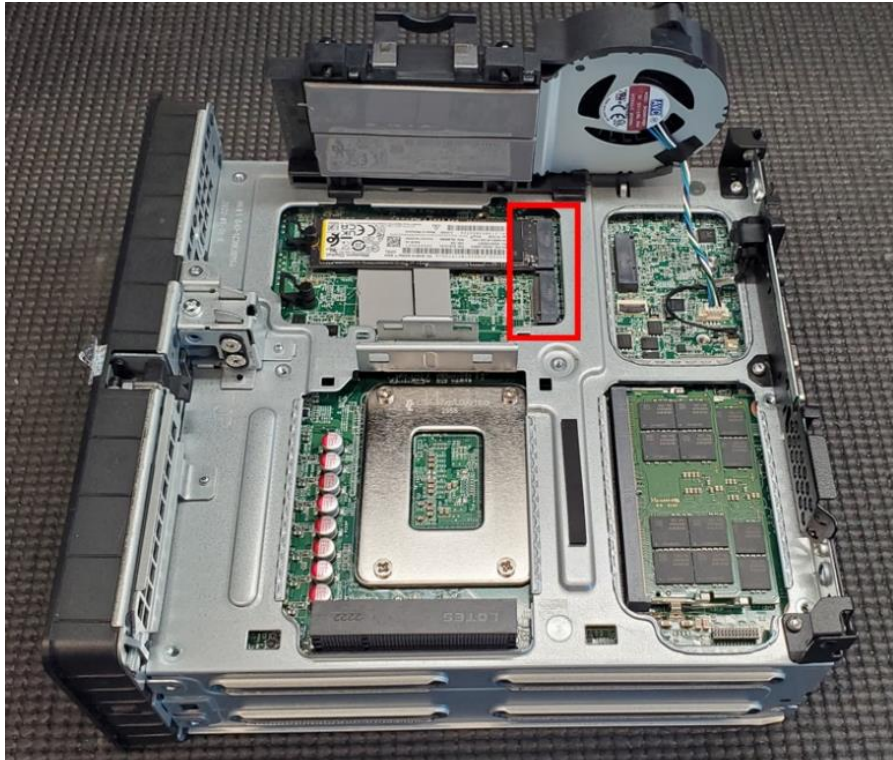
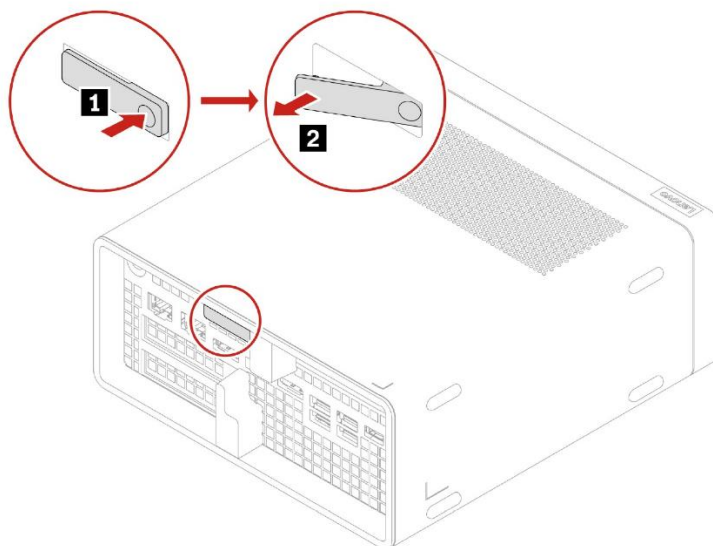


Figure 4 - P3 Ultra chassis with NVMe Callouts

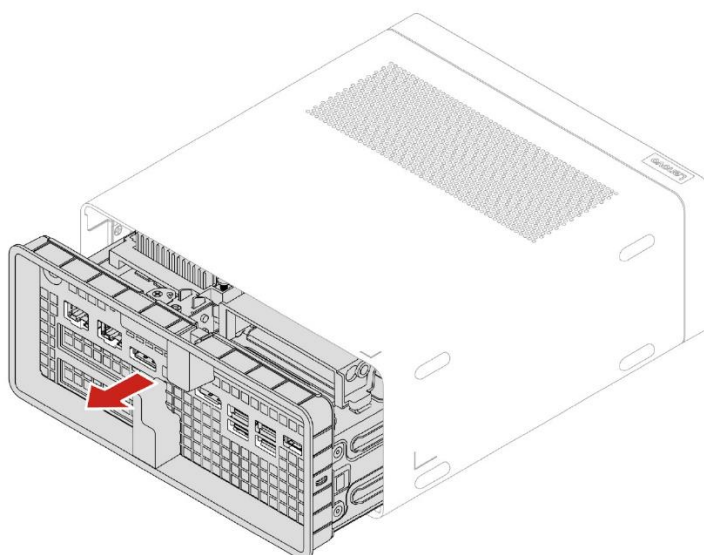


Access the onboard M.2 NVMe slots:

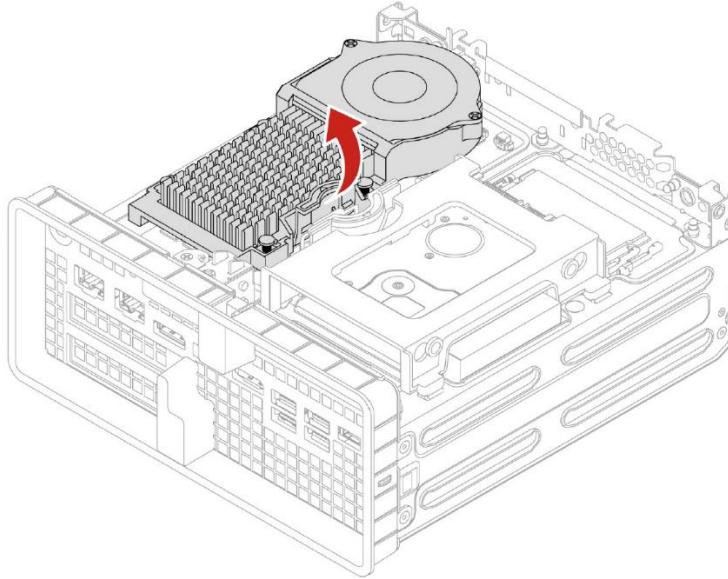
1. Power down the system. Remove the power cable and all attached devices and cables from the system. Locate the chassis opening lever on the back of the system. Push in one side of the lever and pull on the extended lever.



2. While pulling on the lever, hold the chassis body in place until the motherboard assembly slides out of the chassis shell.

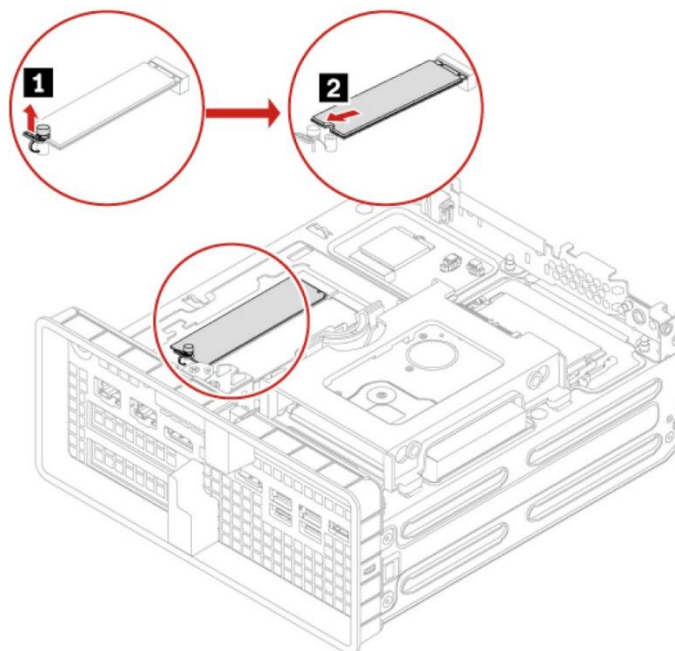


3. The M.2 NVMe heat sink is now accessible as seen in the image below. To remove the heat sink, squeeze the locking handle and pull up on the heat sink.



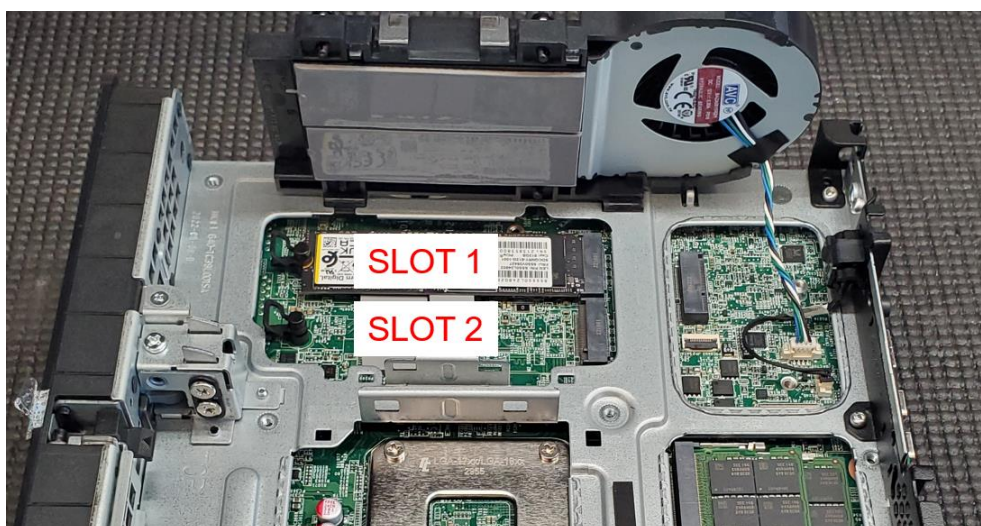
Remove and install the onboard M.2 NVMe drives:

1. To remove a drive, pull up on the retaining plunger for the M.2. It may be necessary to gently pull up on the drive to free it from the heat sink pad underneath. When the drive is free, pull it sideways away from the slot as seen below.



2. Reverse the steps to install a drive. For best drive performance when only one M.2 drive is installed in the system, install in Slot 1 as seen in the image below:

Figure 5 - P3 Ultra M.2 Slot Reference Picture

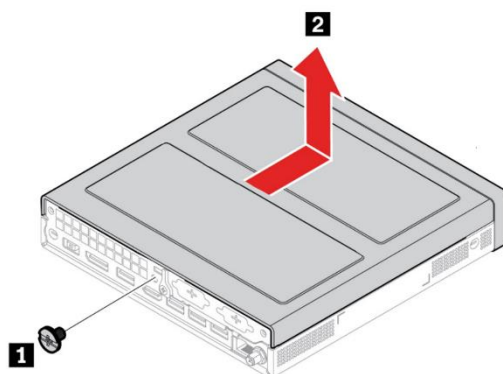


Section 3 – Installing NVMe Devices in P3 Tiny

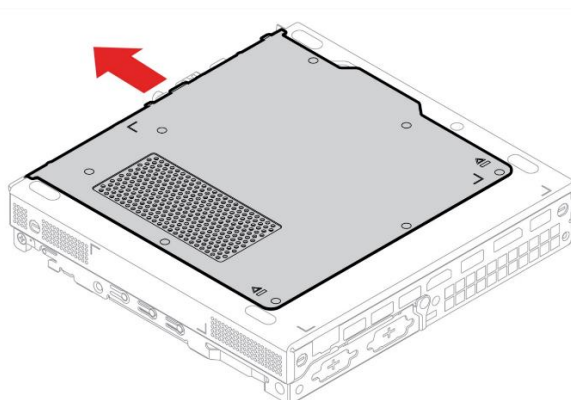
There are only two Gen 4 M.2 slots in the P3 Tiny. No other drives can be added to the system. The steps to access to these M.2 slots is explained in this section. P3 Tiny supports up to a single-sided 2TB M.2 2280 drive in each of the onboard slots.

Accessing the M.2 drives:

1. Disconnect the power and all connected devices.
2. Remove the rear screw, (1) in the image.
3. Slide the cover forward and lift to remove it (2).

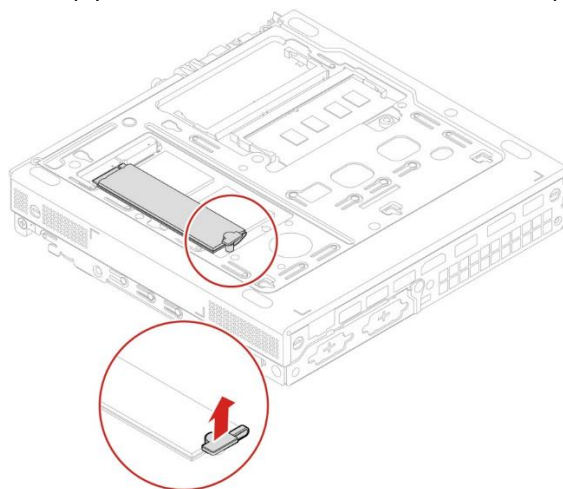


4. Turn the system over and slide the bottom plate towards the front of the system.

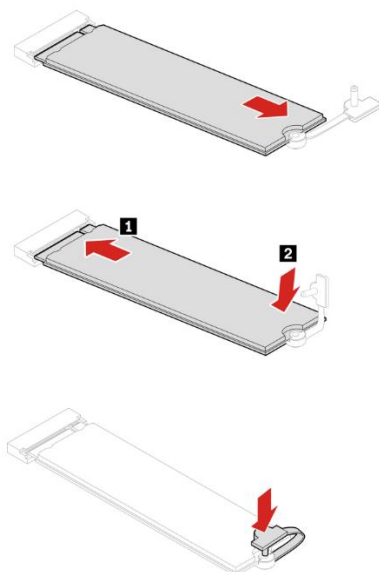


Removal and installation of the M.2 drives:

1. Locate the M.2 drive(s) and remove the retention latch(es).

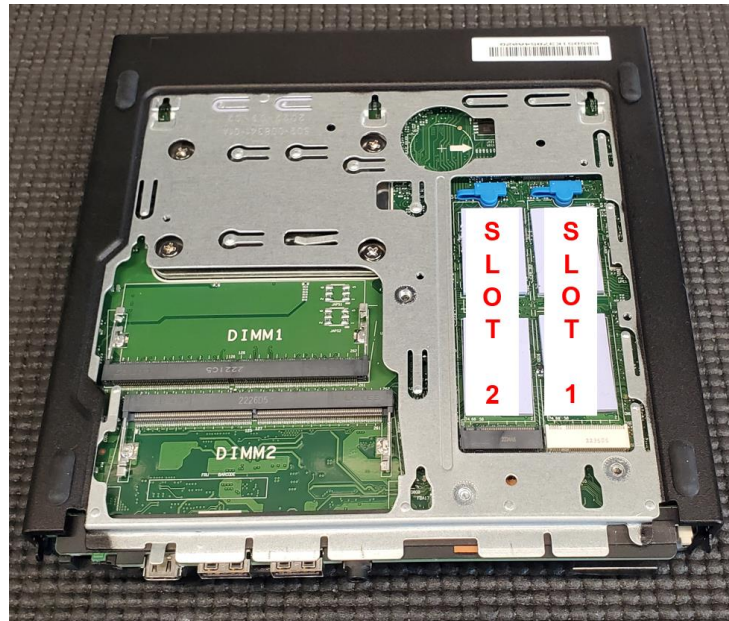


2. With the retention latch removed the M.2 SSD should lift slightly. If it remains attached to the heat sink pad underneath it, pull up on it gently until it is free of the pad. Slowly slide the M.2 horizontally away from the M.2 slot. To install the M.2 drive(s), reverse the procedure.



3. For best drive performance when only one M.2 drive is installed in the system, install in Slot 1 as seen in the image below:

Figure 6 - P3 Tiny M.2 Slot Numbers

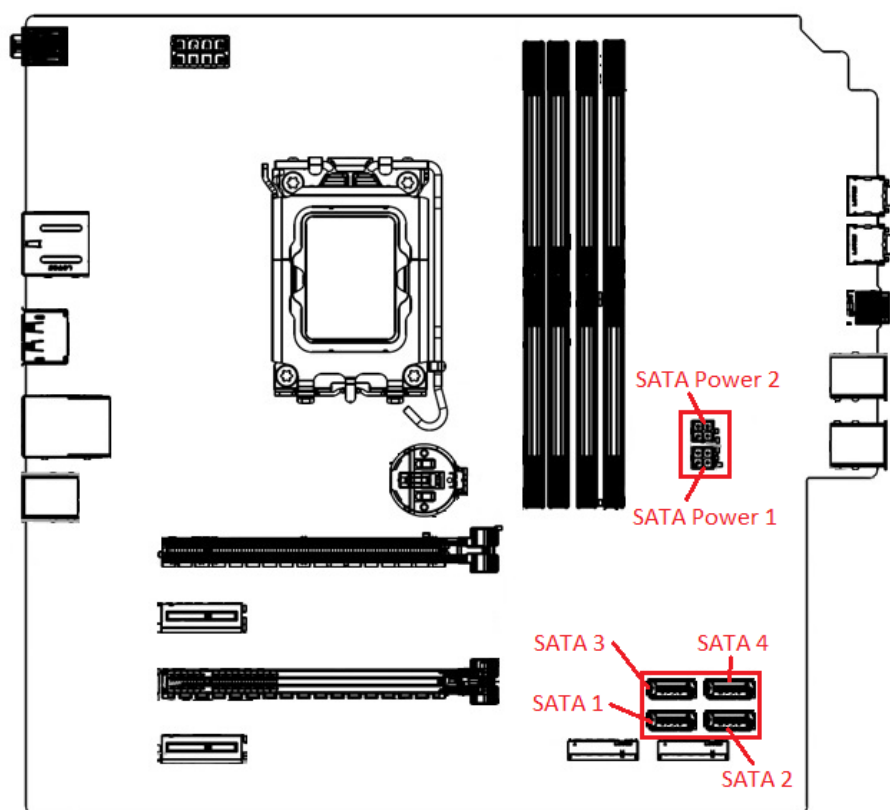


4. Reverse steps 1-4 of “Accessing the M.2 drives” to reassemble the system.

Section 4 – Installing SATA Drives in P3 Tower

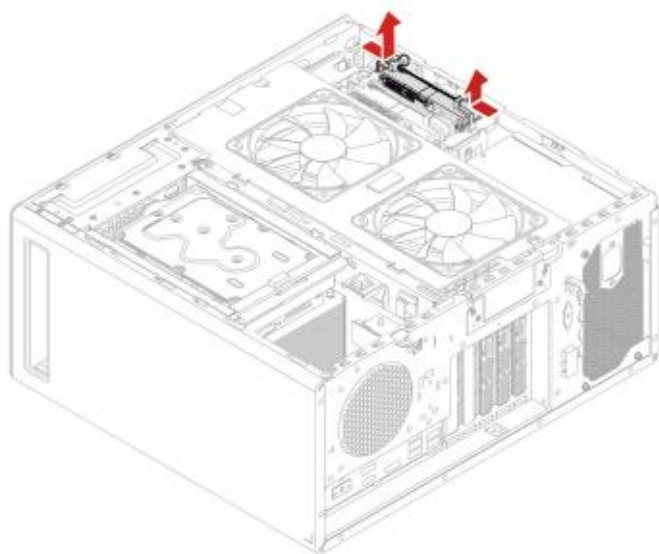
The ThinkStation P3 Tower can hold a maximum of four SATA drives. The P3 Tower motherboard has four SATA port connections, labelled SATA1, SATA2, SATA3, and SATA4 (eSATA) in the order they show up in the system BIOS.

Figure 7 - P3 Tower Motherboard with SATA Callouts

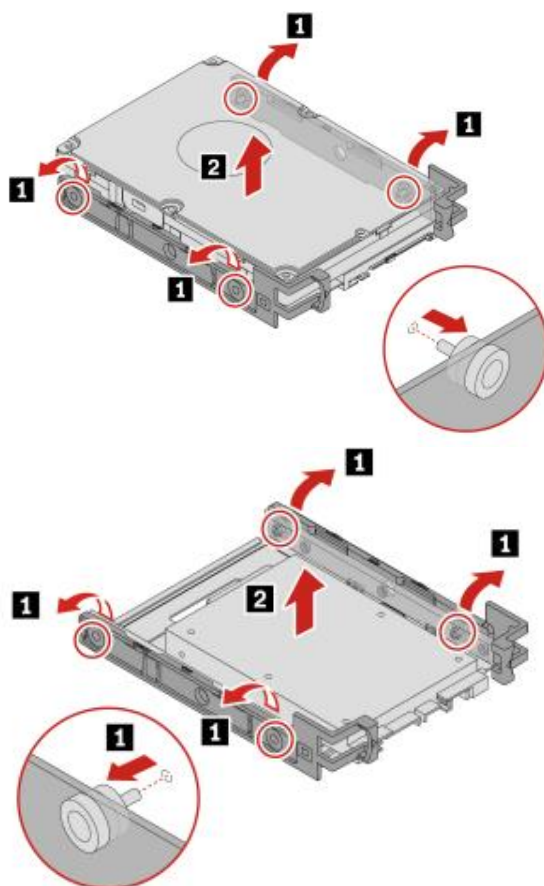


Removal and installation of the bottom SATA Drives:

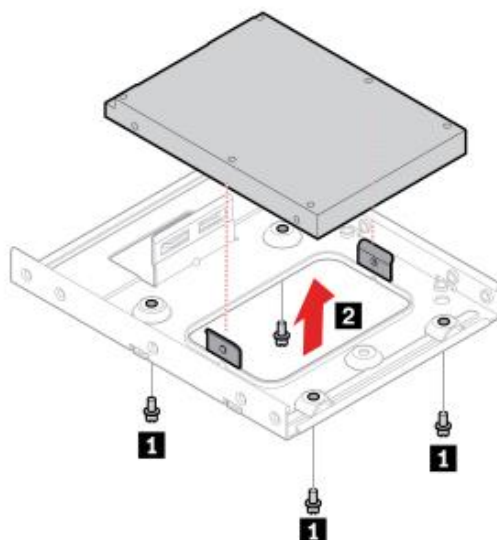
1. Disconnect power and data cables from the drive. Pinch the handles of the drive tray and pull up.



2. Remove the tray pins holding the SATA drive in each corner to separate the drive.



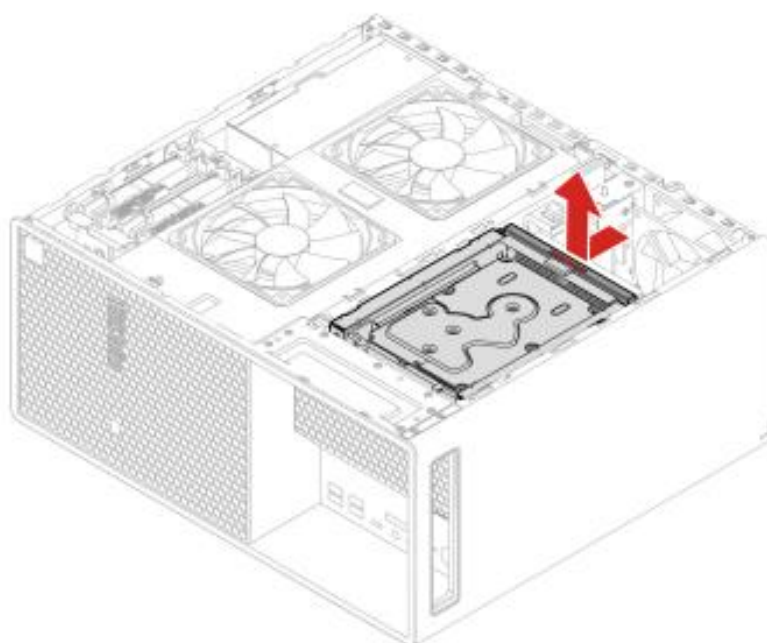
3. For 2.5" drives in the 3.5" adapter bracket, remove the screws holding the drive to the bracket.



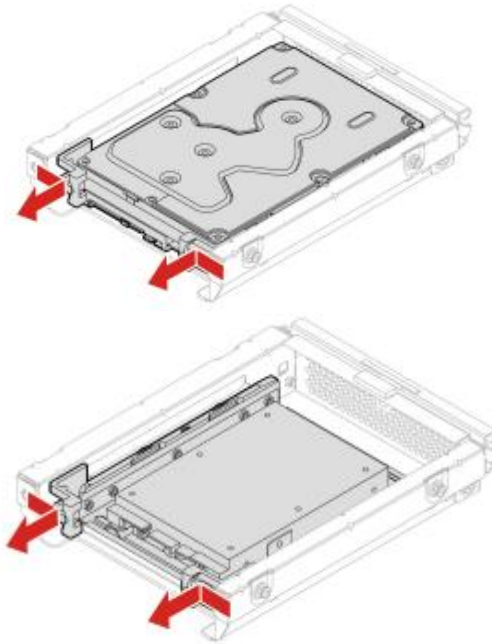
4. To install SATA drive, perform these steps in reverse.

Removal and installation of the top SATA Drives:

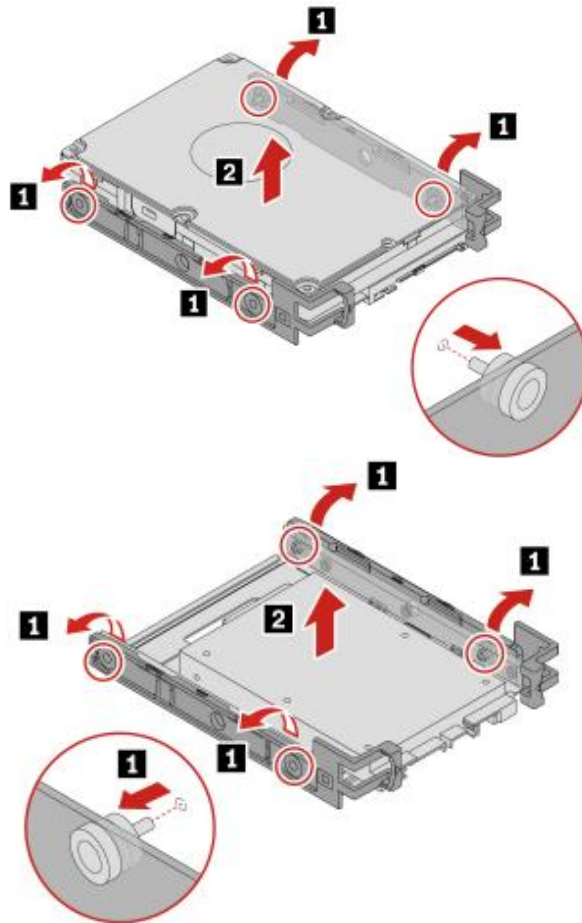
1. Disconnect power and data cables from the drive. Push on the marked lever on the rear of the drive cage and lift out of the chassis.



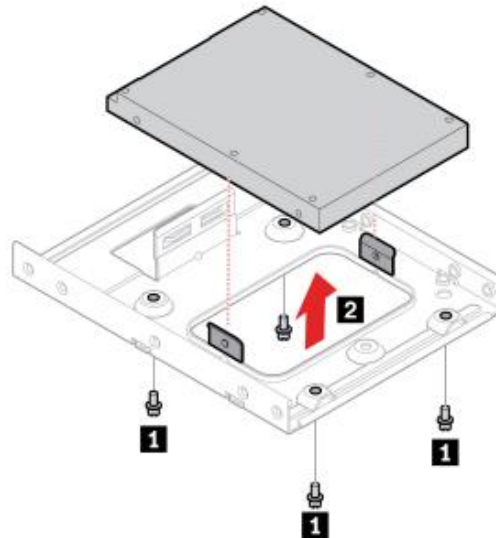
2. Pinch the handles of the drive tray and pull out of the drive cage.



3. Remove the tray pins holding the SATA drive in each corner to separate the drive.



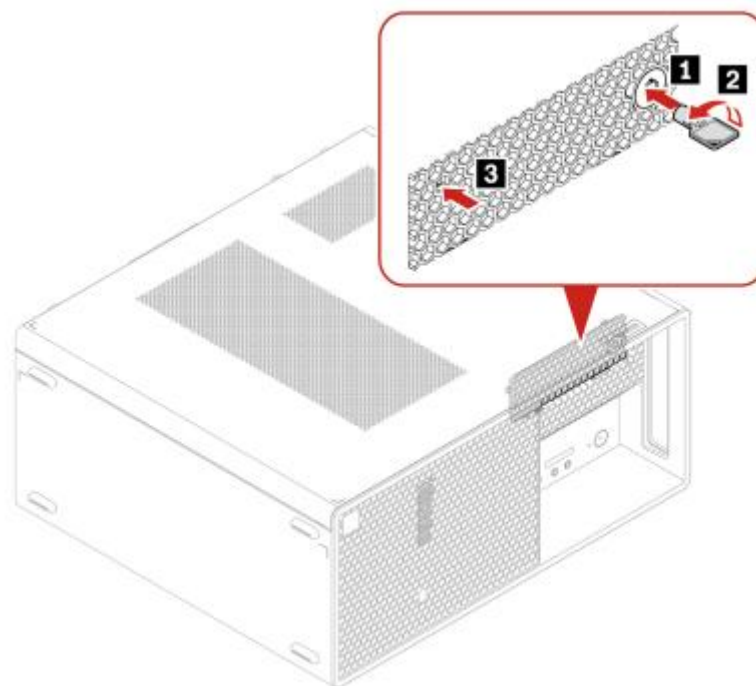
4. For 2.5" drives in the 3.5" adapter bracket, remove the screws holding the drive to the bracket.



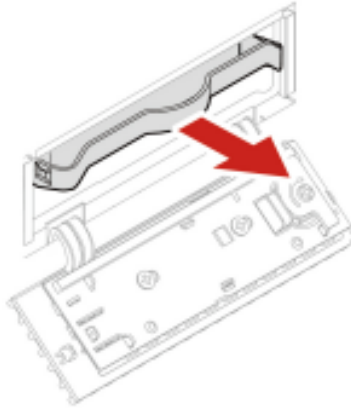
5. To install SATA drive, perform these steps in reverse.

Removal and installation of the FASE SATA Drives:

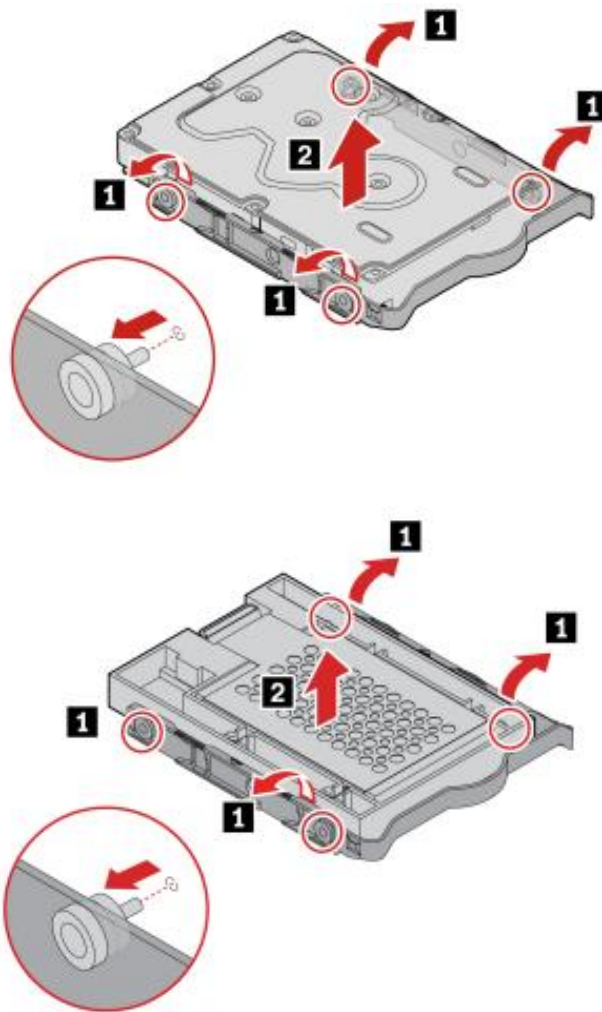
1. Unlock the front bezel door and press its left side to open.



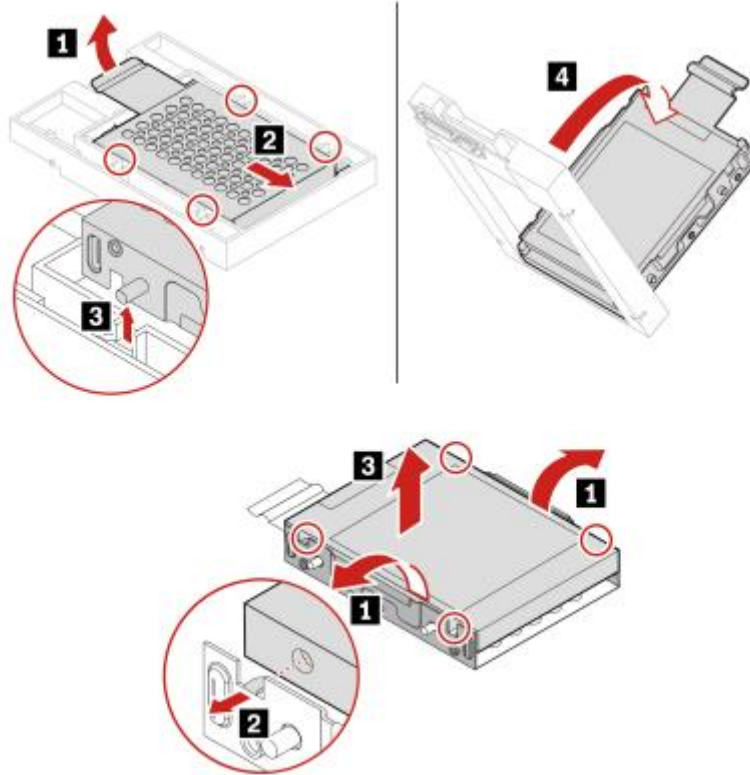
2. Once the door is open, pull the SATA drive out of the FASE.



3. Remove the tray pins holding the SATA drive in each corner to separate the drive.



4. For 2.5" drives in the 3.5" adapter bracket, lift the metal tongue and push toward the back of the bracket. Lift the drive out of the adapter bracket and remove the metal frame from the drive.



Below are some important notes about SATA drive capabilities in P3 Tower:

- The ability to maximize the number of SATA drives is dependent upon using a “3rd HDD enclosure” or “Front-Access Storage Enclosure” (FASE), depending on CPU SKU and fan cooler (See *Table 2 & Figures 8 & 9*).

Table 2 - P3 Tower CPU Cooler & HDD Enclosure Compatibility

CPU Cooler	CPU (RPL & RPL-R)	HDD Enclosure Capability
125W Cooler	i9-14900K, i7-14700K, i5-14600K i9-13900K, i7-13700K, i5-13600K	3rd HDD Enclosure
65W Cooler	i9-14900, i7-14700, i5-14600, i5-14500, i5-14400, i3-14100 i9-13900, i7-13700, i5-13600, i5-13500, i5-13400, i3-13100	3rd HDD Enclosure <u>OR</u> FASE

Figure 8 - P3 Tower FASE Enclosure with 65W Cooler (Chassis beam removed for visibility)

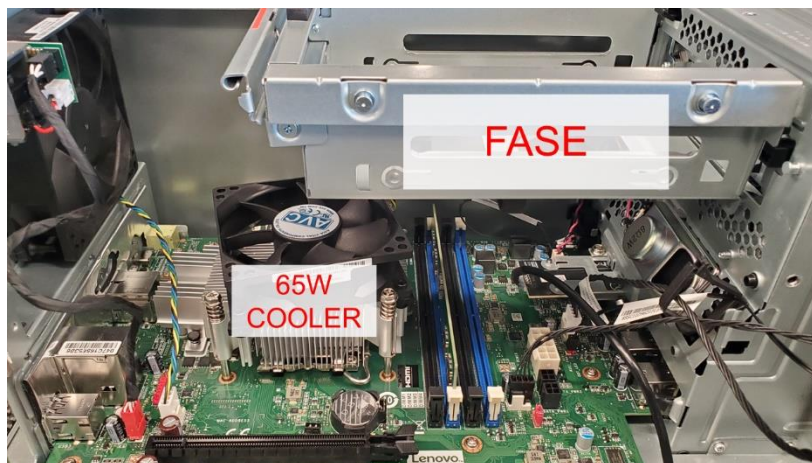
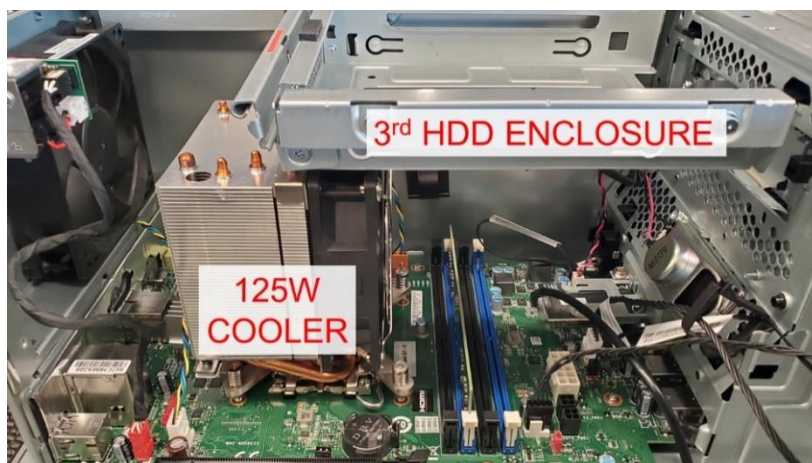
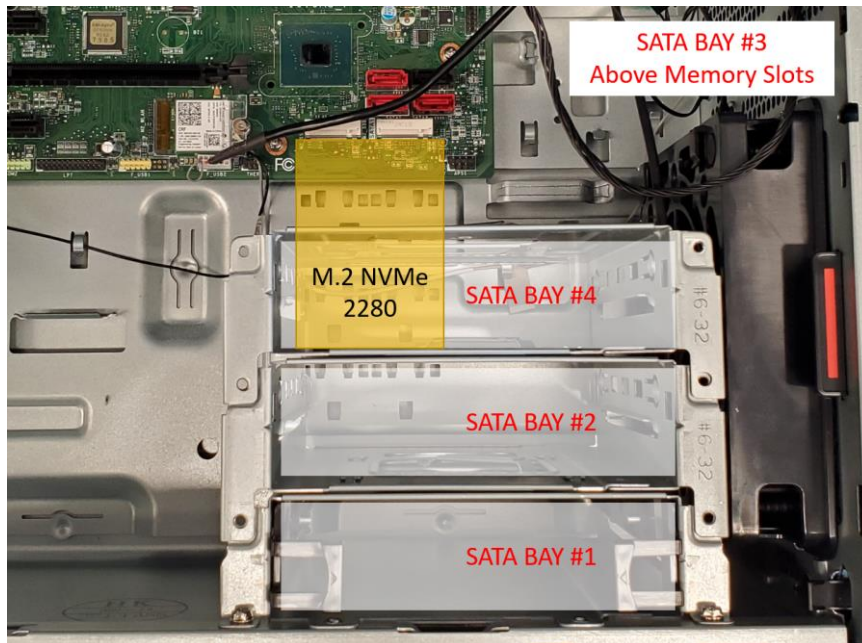


Figure 9 - P3 Tower 3rd Enclosure with 125W Cooler (Chassis beam removed for visibility)



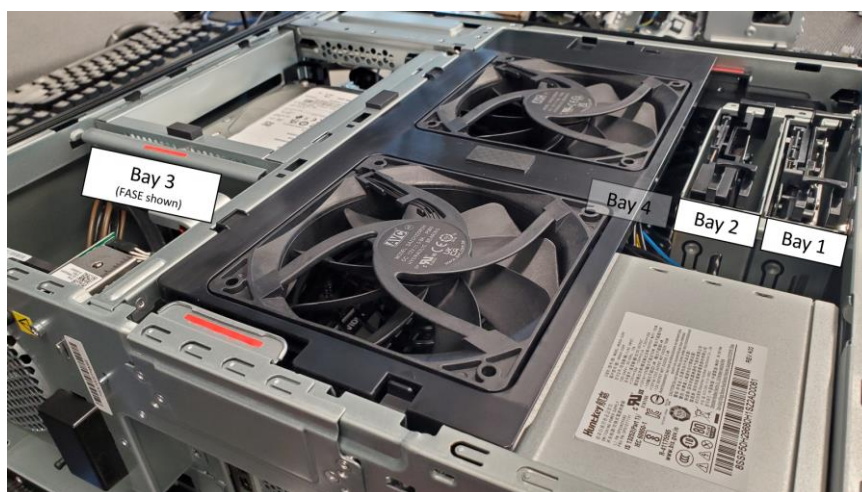
- The use of four SATA drives will utilize all the available SATA ports on the motherboard. Adding additional SATA drives to the system may impact certain lengths of M.2 drives installed in the onboard M.2 slots. SATA Bay #4 & M.2 2280 drives will physically interfere and cannot be installed at the same time (See Figure 10).

Figure 10 - P3 Tower SATA Bay overlaying M.2 NVMe 2280 (Power Supply removed for visibility)



- Additionally, in systems with a side fan assembly, the maximum number of SATA drives is three (See Figure 11) due to physical interference between the side fan assembly and SATA Bay 4. At the time of this writing, the side fan assembly is factory-fit on ThinkStation P3 Tower on all models with a 750W or 1100W PSU configured. It is not included in 500W PSU models.

Figure 11 - P3 Tower with Side Fan Assembly

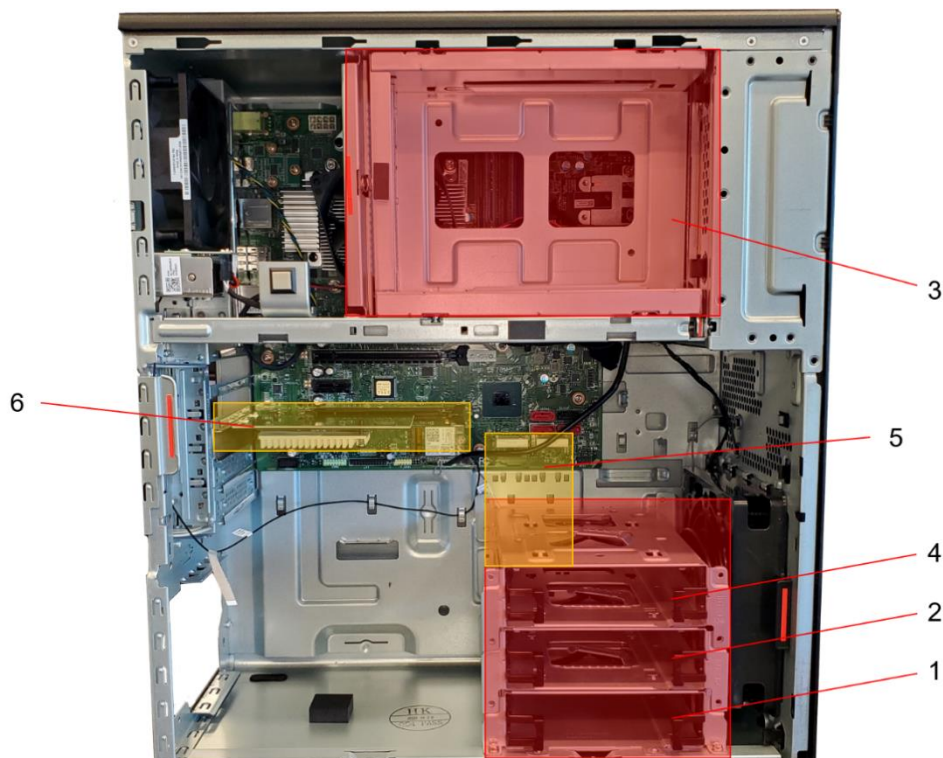


- The ODD bracket occupies the same space as the 3rd HDD / FASE. Whenever the FASE or ODD is installed in the system, the maximum number of SATA drives supported is three. See Section 8 for more details on ODD configurations.
- SATA port 4 is an eSATA port. This port is capable of hot-swapping SATA drives after the feature is enabled in BIOS, found under Devices→Storage Setup→"SATA Drive 4 Hot-Plug Support"→Enable/Disable. FASE must be plugged into this port with enabled BIOS setting to fully operate.
- Due to the external accessibility of the FASE, Lenovo recommends only using the hot-swap feature with the FASE bay. Lenovo strongly recommends against accessing internal drives/components while the system is operating.
- When a 3-slot or 4-slot GPU is installed in the system, the max quantity of SATA drives is limited to three.
- Windows 11 boot is not supported for rotational spinning HDDs.

P3 Tower Internal Storage Drives Overview

Below is an overview of the SATA storage locations in the P3 Tower:

Figure 12 - P3 Tower Chassis with Numbered Callouts



SATA Bay 1 – 3.5” primary storage drive cage

SATA Bay 2 – 3.5” storage drive cage

SATA Bay 3 – 3.5” storage drive cage OR front access storage enclosure OR ODD

SATA Bay 4 – 3.5” storage drive cage (if installed, interferes with M.2 2280 drives in onboard slots)

Area 5 – Two M.2 SSD slots

Area 6 – PCIe Slot 3 for additional M.2 SSD in Add-In Card

The table below lists option kits for upgrading the P3 Tower SATA storage available at the time of this writing. Remember the previous notes in this Section in regard to adding a 4th SATA bay, ODD, or FASE kit, as some option kits will not be physically compatible with certain system configurations. More information can be found in the [Appendix](#).

Table 3 - P3 Tower SATA Storage Options

SATA Option Kit	Option P/N
ThinkStation Storage Kit for P3 Tower	4XF1M24243
ThinkStation Front Access Storage Enclosure for P3 Tower	4XF1M24244

Section 5 – Installing SATA Drives in P3 Ultra

The P3 Ultra supports one 2.5" SATA drive. Adding a SATA drive into a P3 Ultra that does not already have one will require additional parts. The SATA drive will also prevent the use of PCIe x4, located on the side of the motherboard opposite the CPU. The installation requires a 2.5" Drive Bracket and SATA ribbon cable, both of which are included in the ThinkStation P3 Tower Storage Kit (4XF1M24243).

Figure 13 - P3 Ultra Motherboard with SATA Port Callout

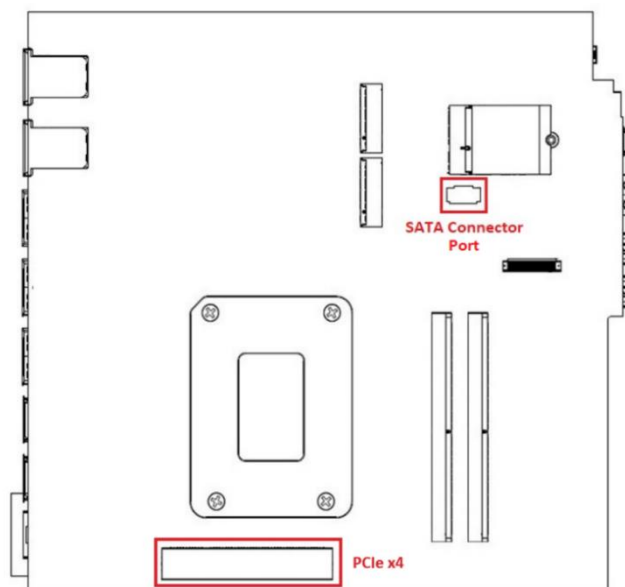
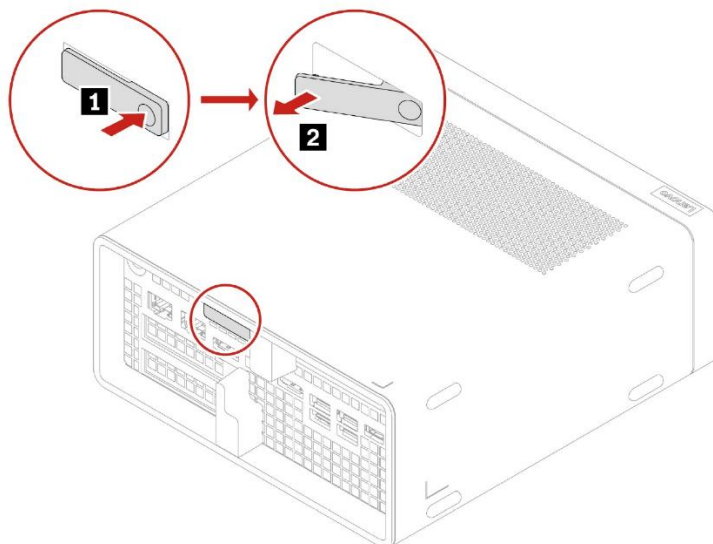


Figure 14 - P3 Ultra Chassis with SATA Bracket Installed

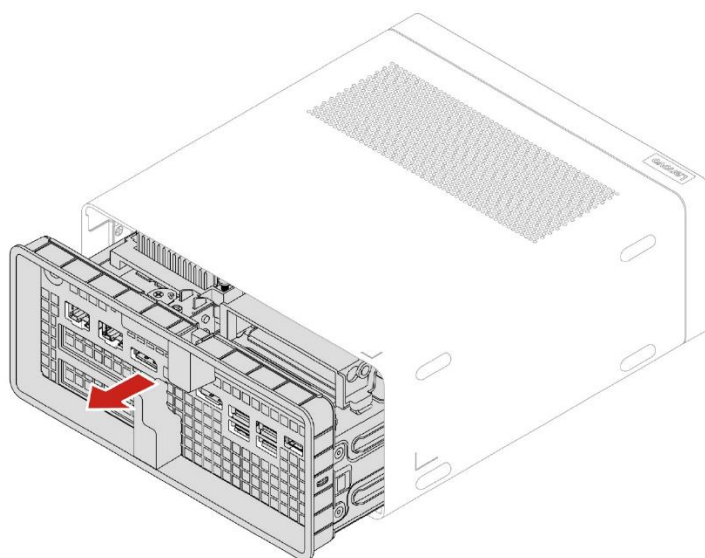


Accessing SATA port:

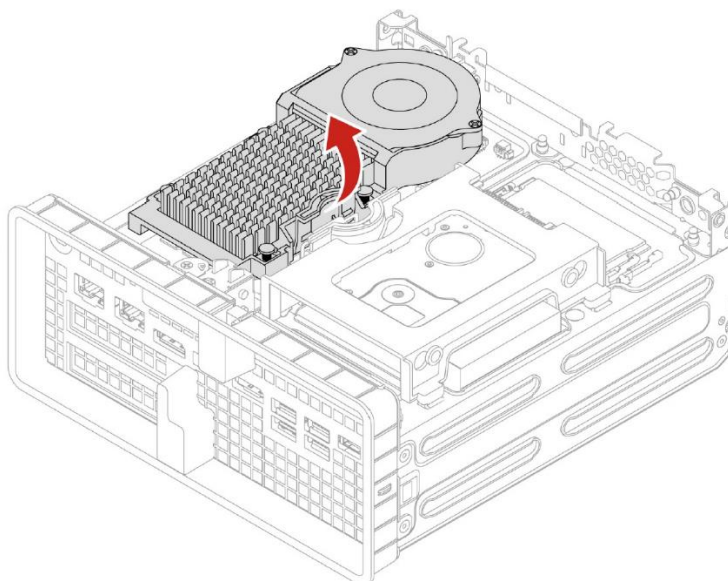
1. Power down the system. Remove the power cable and all attached devices and cables from the system. Locate the chassis opening lever on the back of the system. Push in one side of the lever and pull on the extended lever.



2. While pulling on the lever, hold the chassis body in place until the motherboard assembly slides out of the chassis shell.

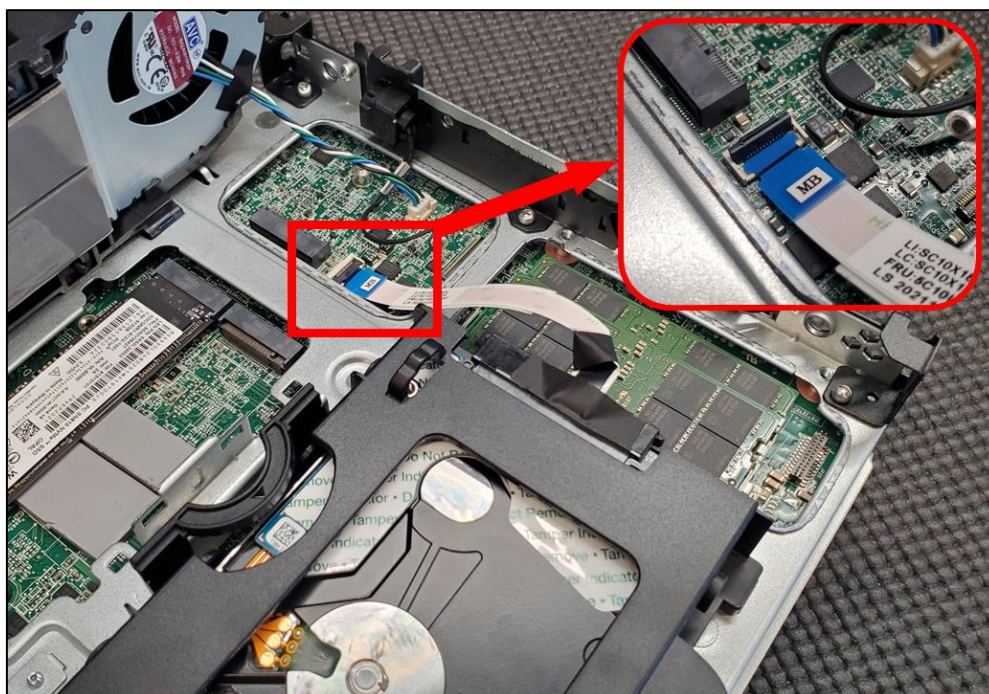


3. The M.2 NVMe heat sink is now accessible as seen in the image below. To access the motherboard SATA port, remove the heat sink by squeezing the locking handle and pull up on the heat sink.



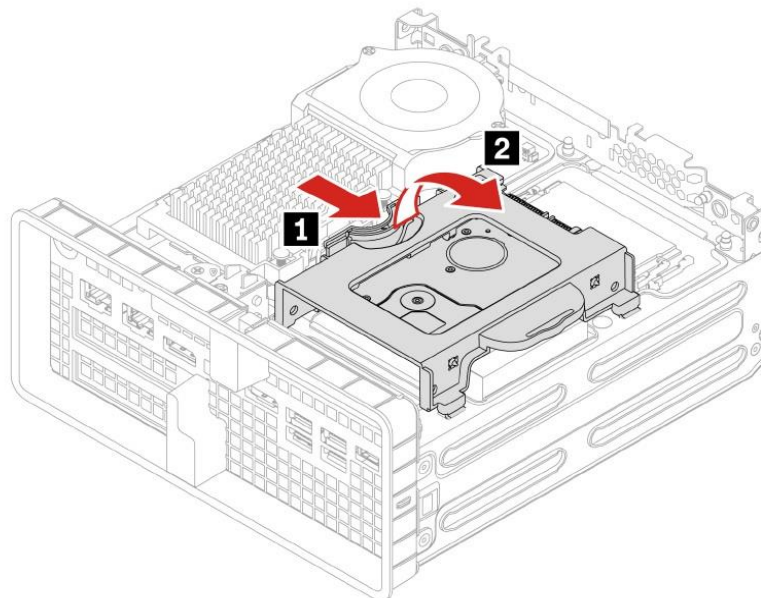
4. The SATA connection is ribbon-style, so the cable and port should be handled with care. Whenever inserting or removing the ribbon cable, lift the black flap to release the cable (See Figure 15 below).

Figure 15 - P3 Ultra SATA Port Callout

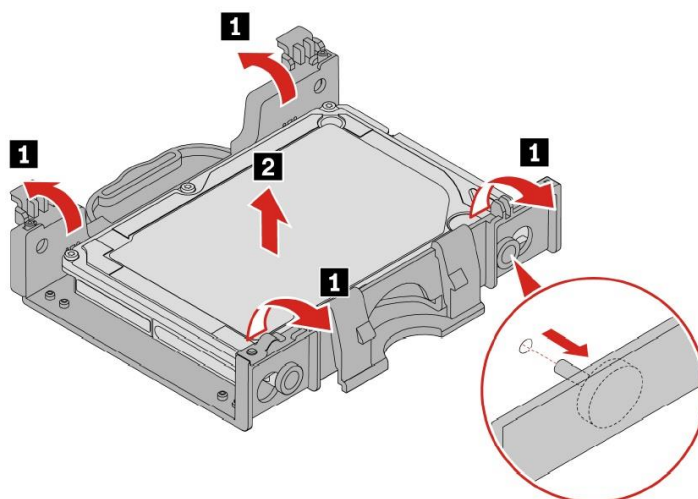


Removing/Installing the SATA Drive:

1. To remove the drive, unplug the ribbon cable from the system and drive. Squeeze the locking handle and pull up on the drive carrier. When the carrier is free, remove it from the system and turn it over.



2. Gently stretch the drive carrier apart until the drive comes loose from the screw hole pins. Lift the drive up and out of the carrier.



3. Reverse the steps to install a new drive.

Section 6 – RAID Levels

This section will detail the RAID capabilities of each system in the P3 family. The table below shows various RAID levels supported on each platform:

Table 4 - P3 Series RAID Capabilities

System	Max # of RAIDable M.2 NVMe Drives	M.2 NVMe RAID Levels	Max # of RAIDable SATA Drives	SATA RAID Levels
P3 Tower	2	0,1	4*	0,1,5,10**
P3 Ultra	2	0,1	0	N/A
P3 Tiny	2	0,1	0	N/A

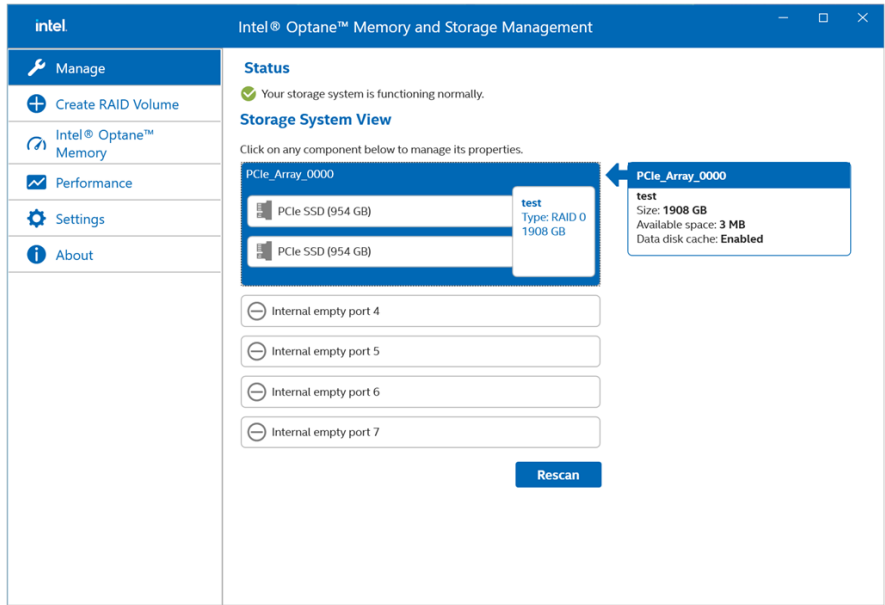
*A fourth SATA drive bay will prevent M.2 2280 sized drives from being installed in the two onboard M.2 slots, reducing max number of supported M.2 NVMe drives to one (installed in an add-in card). See reference picture in Section 4.

**Depending on number of SATA drives installed in the system.

General RAID Notes:

- Before creating or altering a RAID config, always backup important data to an external location to prevent accidental data loss.
- A given array should not mix drive types or logical sizes. It is recommended to only use drives officially supported by Lenovo for the given platform.
- Each RAID level requires a certain minimum and or maximum number of drives. If altering the system storage devices after purchase or a previous configuration, it will be necessary to verify the proper types and number of devices for a desired RAID configuration have been installed. Altering or creating an array may require any existing OS to be reinstalled.
- P3 Tower, P3 Ultra, and P3 Tiny utilize Intel Rapid Storage Technology (RST) for configuring RAID.
- RAID arrays can be monitored in Windows using the Intel Optane Memory and Storage Management tool. At the time of this writing, it can be downloaded from the Microsoft Store or installed using the Hardware Support Application (HSA) software package, available from [Lenovo Support](#), for either P3 Tower, Ultra, or Tiny.

Figure 16 – Intel Optane Memory and Storage Management application



P3 Tower RAID Notes:

- At the time of writing there are no add-in RAID controllers certified on this platform.
- Only drives in the two onboard Gen 4 M.2 slots can be utilized together in a RAID configuration. RAID configurations utilizing both onboard and AIC M.2 drives are not supported.
- At the time of this writing, when a Thunderbolt card is installed in the system, SATA RAID is not supported.
- The table below lists the supported quantities of SATA drives for the respective RAID levels:

Table 5 - P3 Series RAID Capabilities

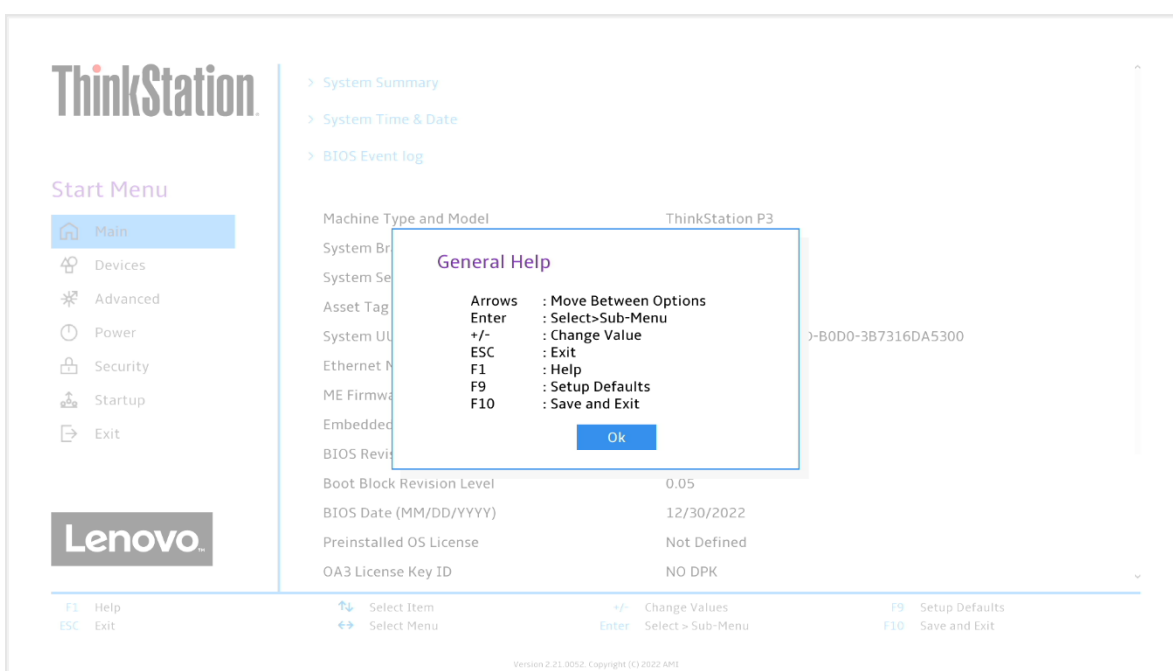
RAID Level (SATA)	Possible QTY of SATA Drives Supported
RAID 0	2,3,4*
RAID 1	2
RAID 5	3,4*
RAID 10	4*

*4th SATA support is configuration dependent

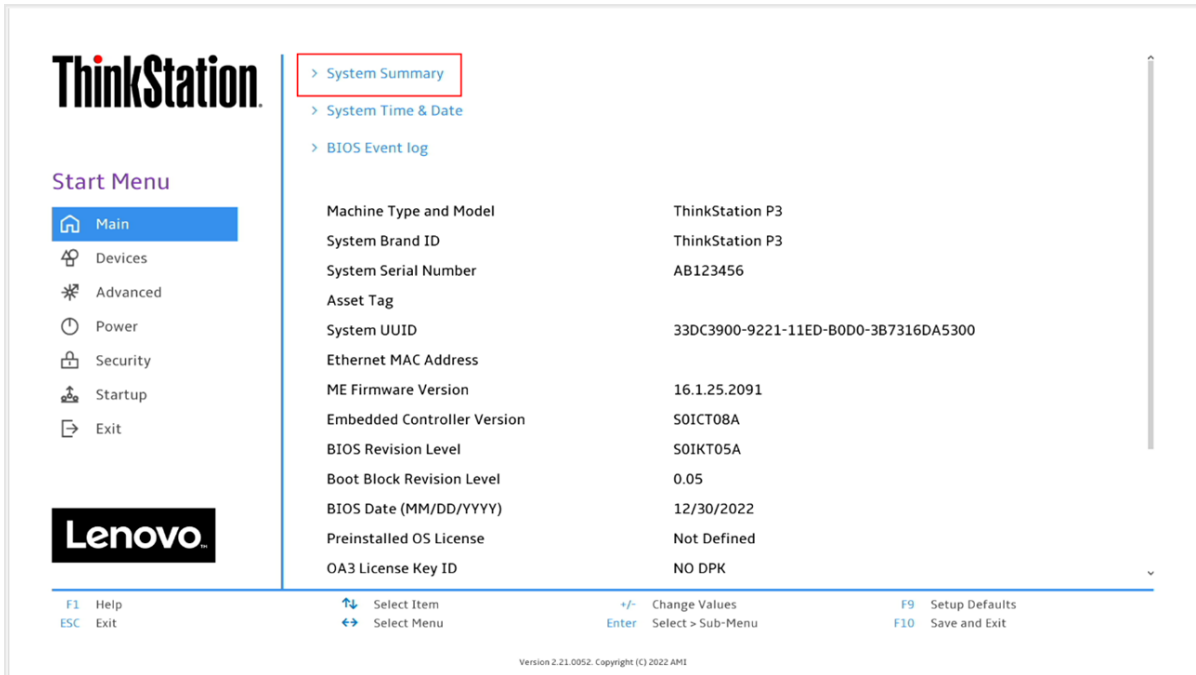
Section 7 – Configuring RAID

Please refer to the following steps to configure RAID for both NVMe and SATA drives. Examples may show configurations that are not possible on all systems. **Backup any important data before editing RAID configurations!**

1. Boot into the BIOS by pressing the function F1 key at the “Lenovo” splash screen.



2. Select “System Summary” and scroll down to verify BIOS is recognizing all the drives installed in the system.



The screenshot shows the BIOS 'System Summary' screen. The 'System Summary' menu item is highlighted with a red box. The screen displays various system information:

Machine Type and Model	ThinkStation P3
System Brand ID	ThinkStation P3
System Serial Number	AB123456
Asset Tag	
System UUID	33DC3900-9221-11ED-B0D0-3B7316DA5300
Ethernet MAC Address	
ME Firmware Version	16.1.25.2091
Embedded Controller Version	SOICT08A
BIOS Revision Level	SOIKT05A
Boot Block Revision Level	0.05
BIOS Date (MM/DD/YYYY)	12/30/2022
Preinstalled OS License	Not Defined
OA3 License Key ID	NO DPK

Navigation keys at the bottom: F1 Help, ESC Exit, Select Item, Select Menu, Change Values, Enter Select > Sub-Menu, F9 Setup Defaults, F10 Save and Exit.



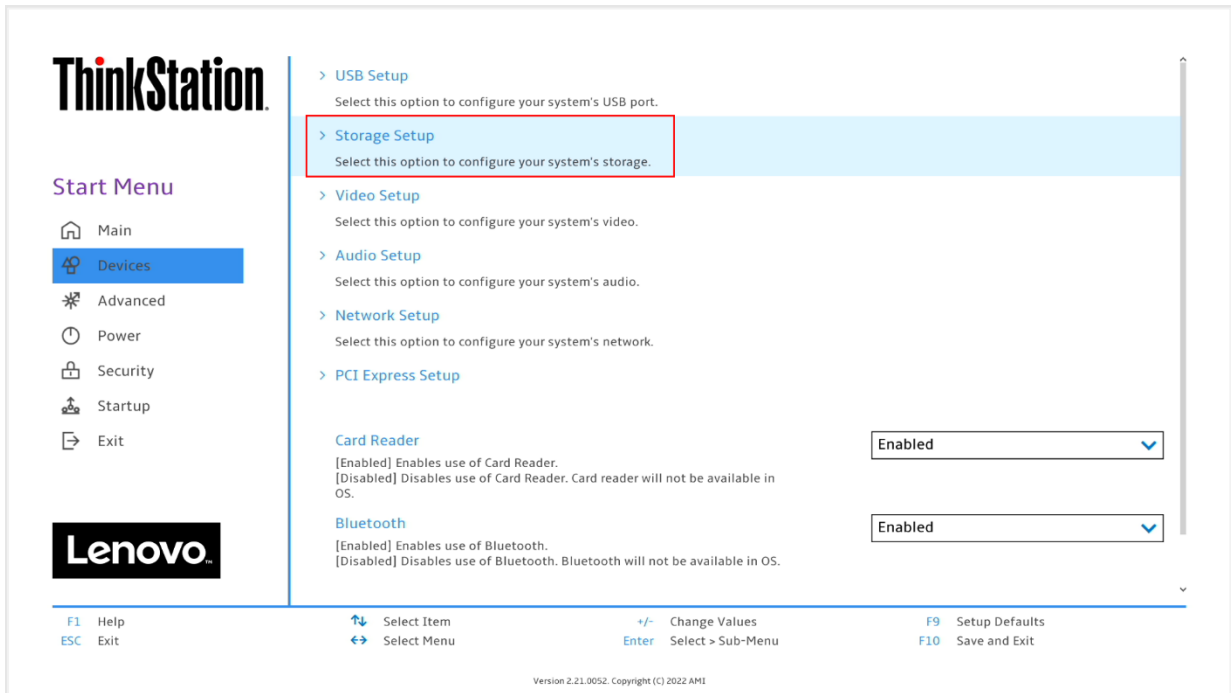
The screenshot shows the BIOS 'System Summary' screen with the drive information section highlighted by a red box. The screen displays various system information:

CPU Core Count	24
Installed Memory	8192 MB
Memory Bus Speed	4400 MHz
Active Video	PEG
Onboard Audio	Enabled
Onboard Ethernet	Enabled
CPU Fan	Operating
System Fan	Operating
Aux Fan	Operating
Aux Fan 2	Operating
M.2 Drive 1	SAMSUNG MZVLB256HBHQ-000L7
M.2 Drive 2	SAMSUNG MZVLB256HBHQ-000L7
PCIe Drive 1	None
PCIe Drive 2	None
SATA Drive 1	None
SATA Drive 2	None
SATA Drive 3	None
SATA Drive 4	None

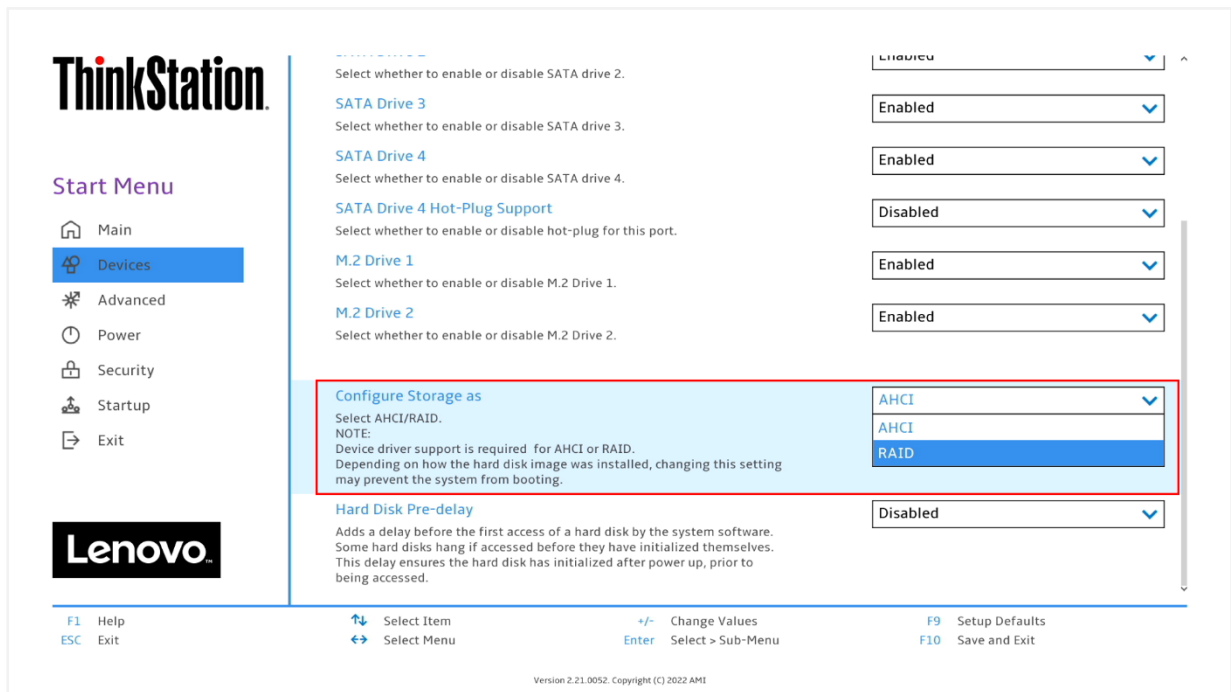
Navigation keys at the bottom: F1 Help, ESC Exit, Select Item, Select Menu, Change Values, Enter Select > Sub-Menu, F9 Setup Defaults, F10 Save and Exit.

Note: From this point forward, the examples will utilize the M.2 NVMe drives. The process is the same for both drive types.

3. Select the “Devices” menu at the BIOS main screen setup utility and then select “Storage Setup”.

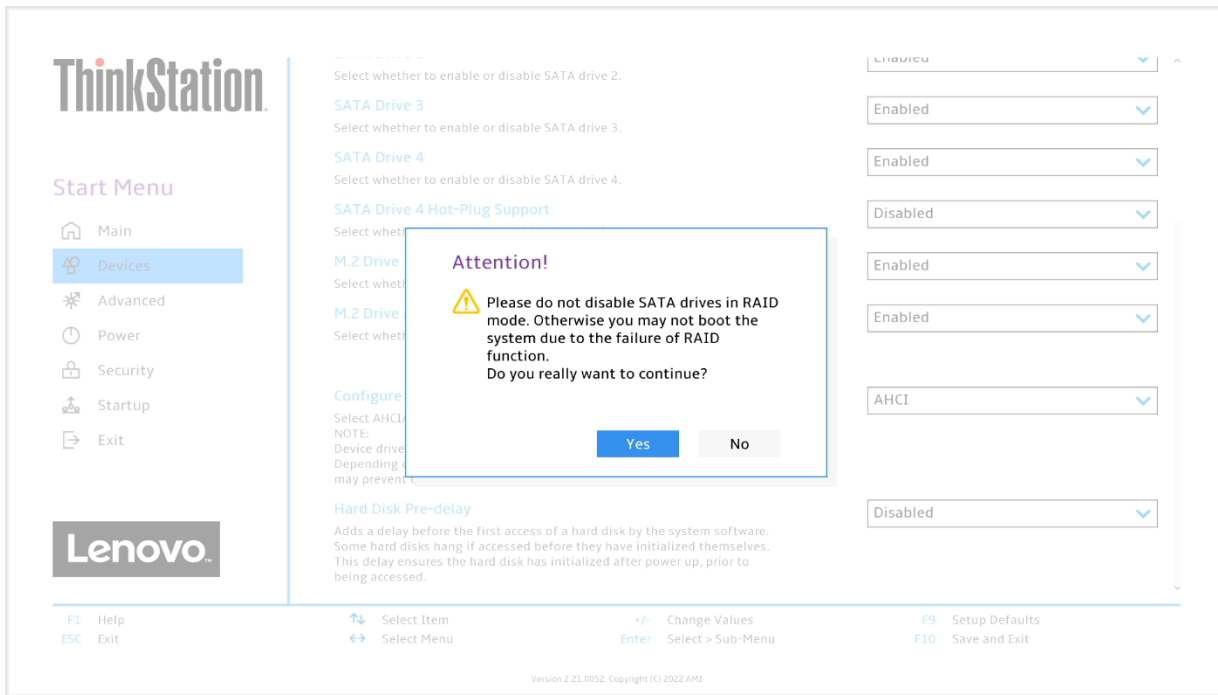


4. In the “Storage Setup” menu, select “Configure Storage as” and change or verify the option is set to “RAID”.

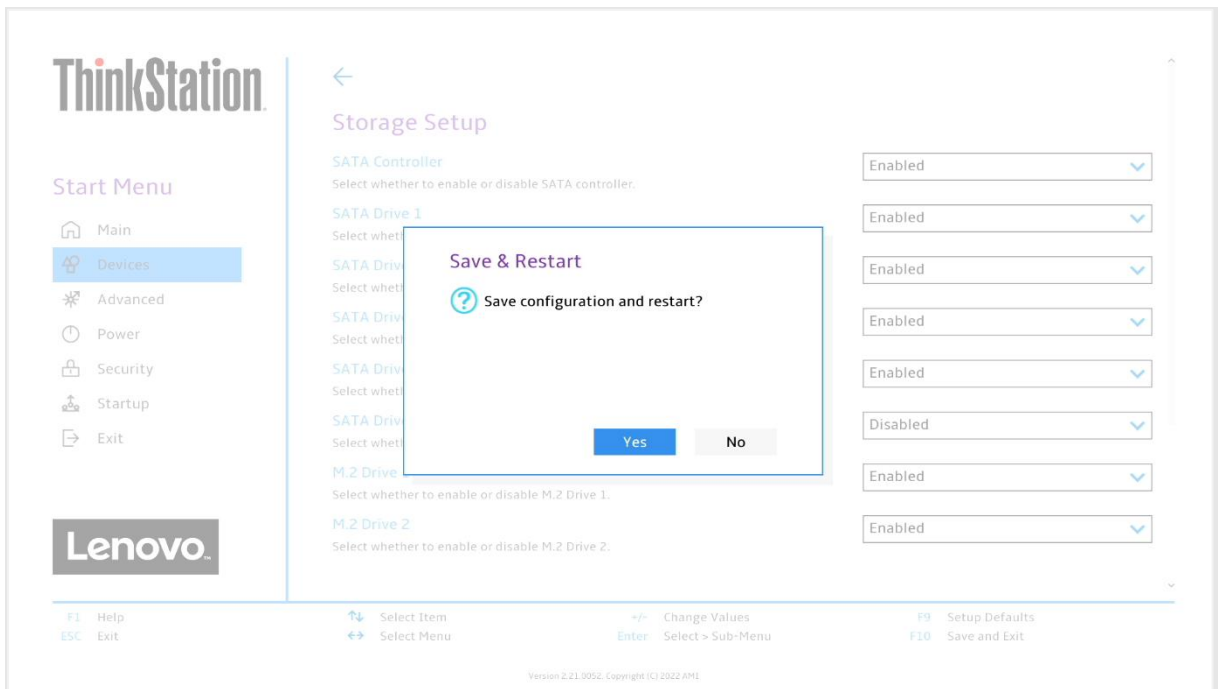


Notes: In order to Secure Erase any drives, the ‘Configure Storage as’ option must be set to ‘AHCI’ mode. Changing storage modes may cause issues with boot OS and data on existing drives.

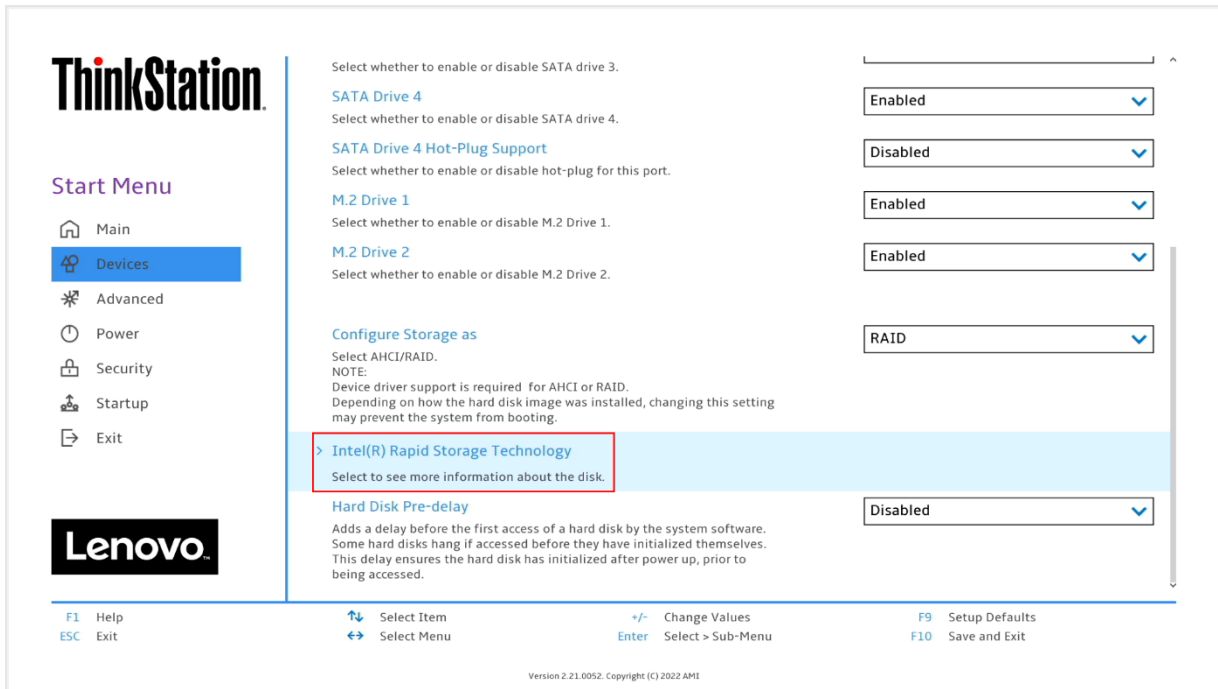
- When selecting to enable RAID the system will prompt a warning that changing the setting may result in the failure of the system to boot. Select “Yes” to continue.



- Press F10 to save and Exit BIOS setup.



- As the system reboots, press the function F1 key at the Lenovo splash screen to enter the BIOS setup. Select the “Devices” menu at the BIOS main screen setup utility and then “Intel(R) Rapid Storage Technology”.



ThinkStation

Start Menu

- Main
- Devices**
- Advanced
- Power
- Security
- Startup
- Exit

Lenovo

Select whether to enable or disable SATA drive 3.
SATA Drive 4
 Select whether to enable or disable SATA drive 4. Enabled

SATA Drive 4 Hot-Plug Support
 Select whether to enable or disable hot-plug for this port. Disabled

M.2 Drive 1
 Select whether to enable or disable M.2 Drive 1. Enabled

M.2 Drive 2
 Select whether to enable or disable M.2 Drive 2. Enabled

Configure Storage as
 Select AHCI/RAID. RAID
 NOTE:
 Device driver support is required for AHCI or RAID.
 Depending on how the hard disk image was installed, changing this setting may prevent the system from booting.

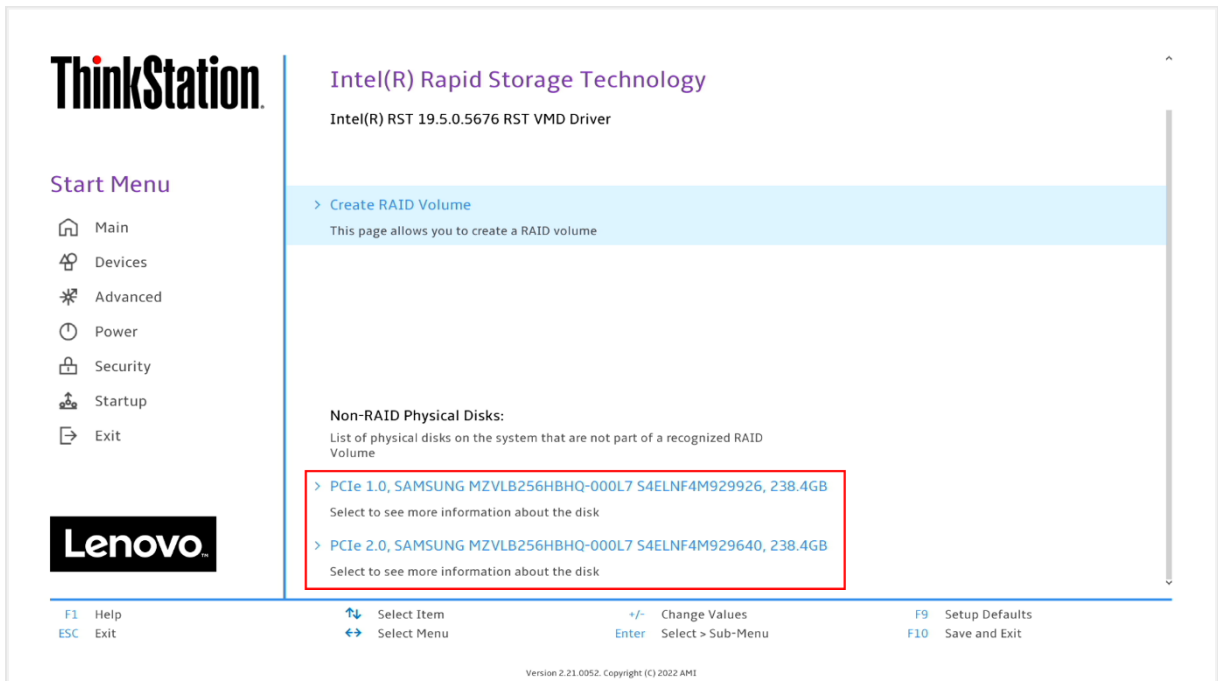
Intel(R) Rapid Storage Technology
 Select to see more information about the disk.

Hard Disk Pre-delay
 Adds a delay before the first access of a hard disk by the system software. Some hard disks hang if accessed before they have initialized themselves. This delay ensures the hard disk has initialized after power up, prior to being accessed. Disabled

F1 Help ↑ Select Item +/- Change Values F9 Setup Defaults
 ESC Exit ← Select Menu Enter Select > Sub-Menu F10 Save and Exit

Version 2.21.0052. Copyright (C) 2022 AMI

- Verify all the desired drives are available.



ThinkStation

Start Menu

- Main
- Devices
- Advanced
- Power
- Security
- Startup
- Exit

Lenovo

Intel(R) Rapid Storage Technology
 Intel(R) RST 19.5.0.5676 RST VMD Driver

Create RAID Volume
 This page allows you to create a RAID volume

Non-RAID Physical Disks:
 List of physical disks on the system that are not part of a recognized RAID Volume

PCIe 1.0, SAMSUNG MZVLB256HBHQ-000L7 54ELNF4M929926, 238.4GB
 Select to see more information about the disk

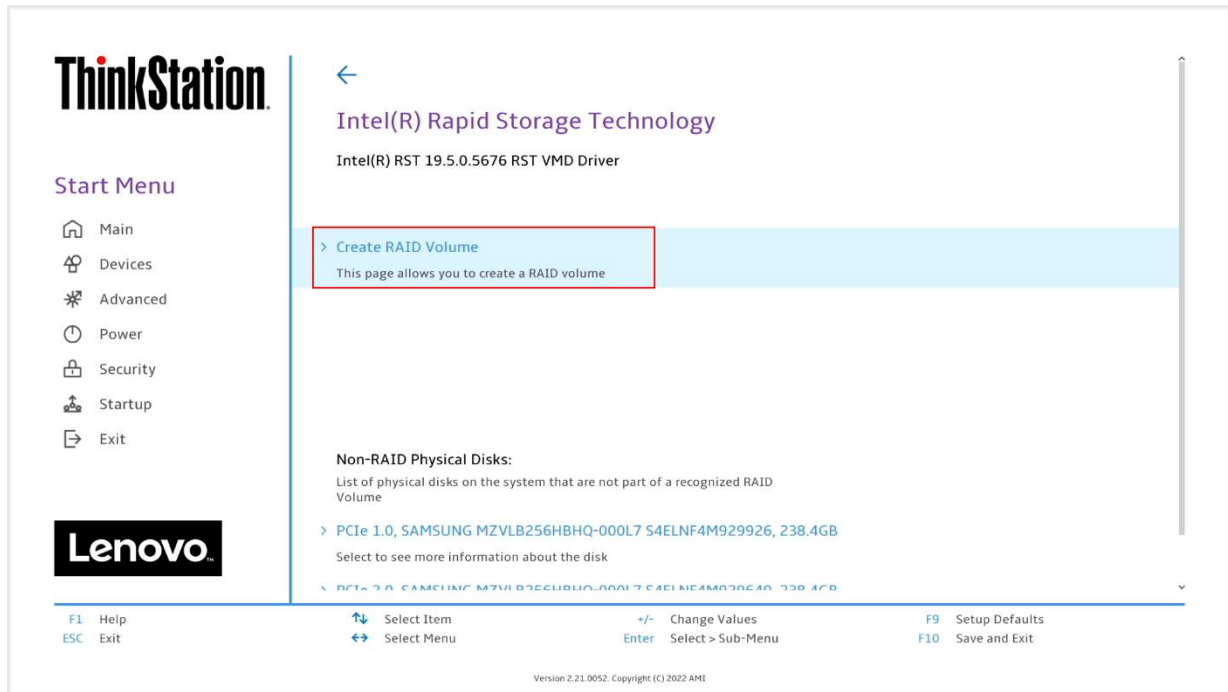
PCIe 2.0, SAMSUNG MZVLB256HBHQ-000L7 54ELNF4M929640, 238.4GB
 Select to see more information about the disk

F1 Help ↑ Select Item +/- Change Values F9 Setup Defaults
 ESC Exit ← Select Menu Enter Select > Sub-Menu F10 Save and Exit

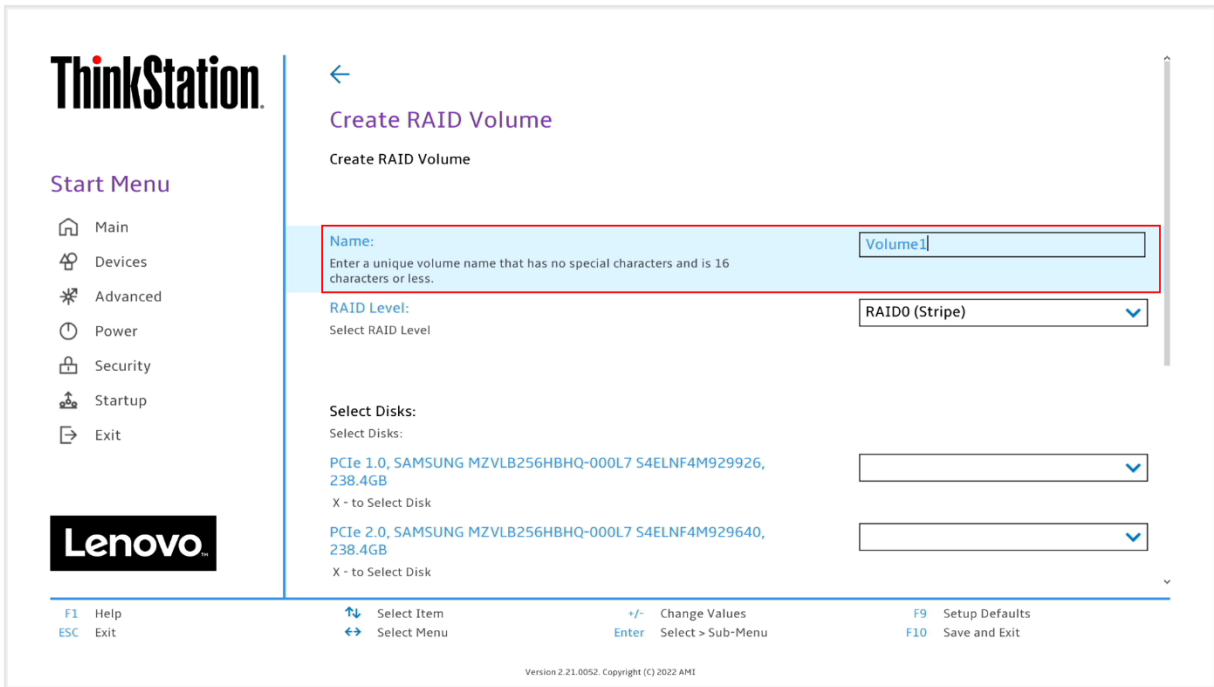
Version 2.21.0052. Copyright (C) 2022 AMI

9. If all the disks installed are not shown as available, it may be necessary to clear any previous data from the disks. If no arrays have been created previously but there is an existing volume shown, it will be necessary to delete any previous arrays. Advance to step 15 to complete the process to delete any arrays. Return and proceed to step 10 once the desired drives are available.

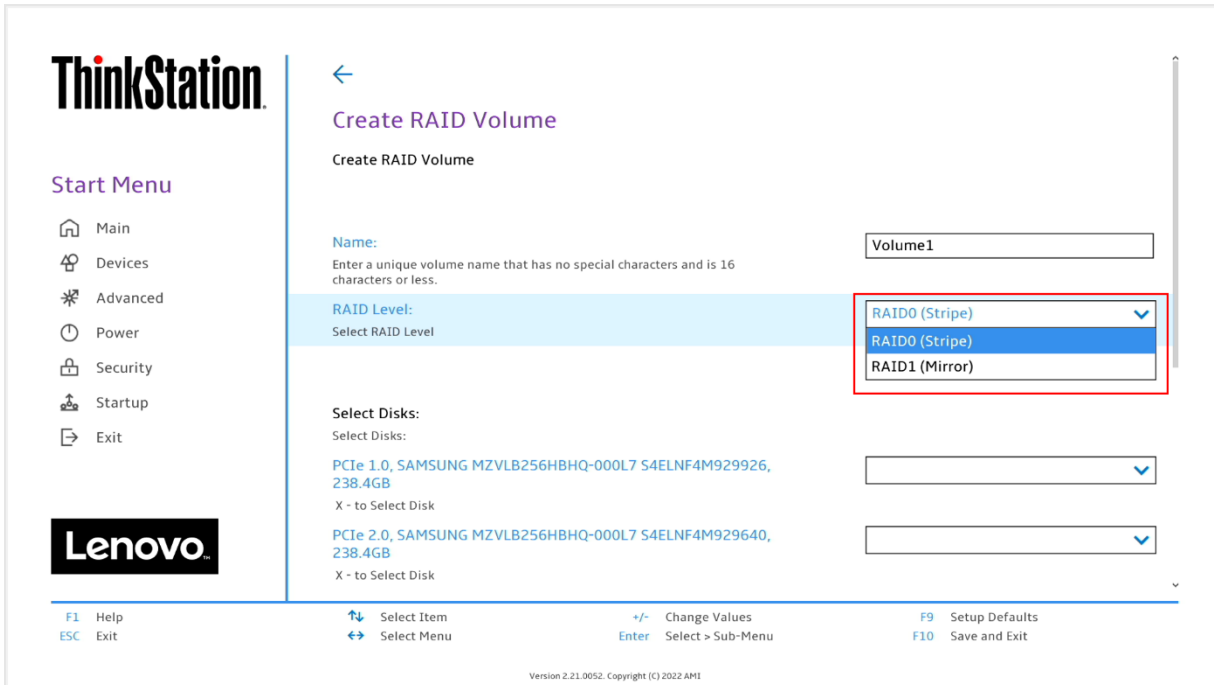
10. Select “Create RAID Volume”.



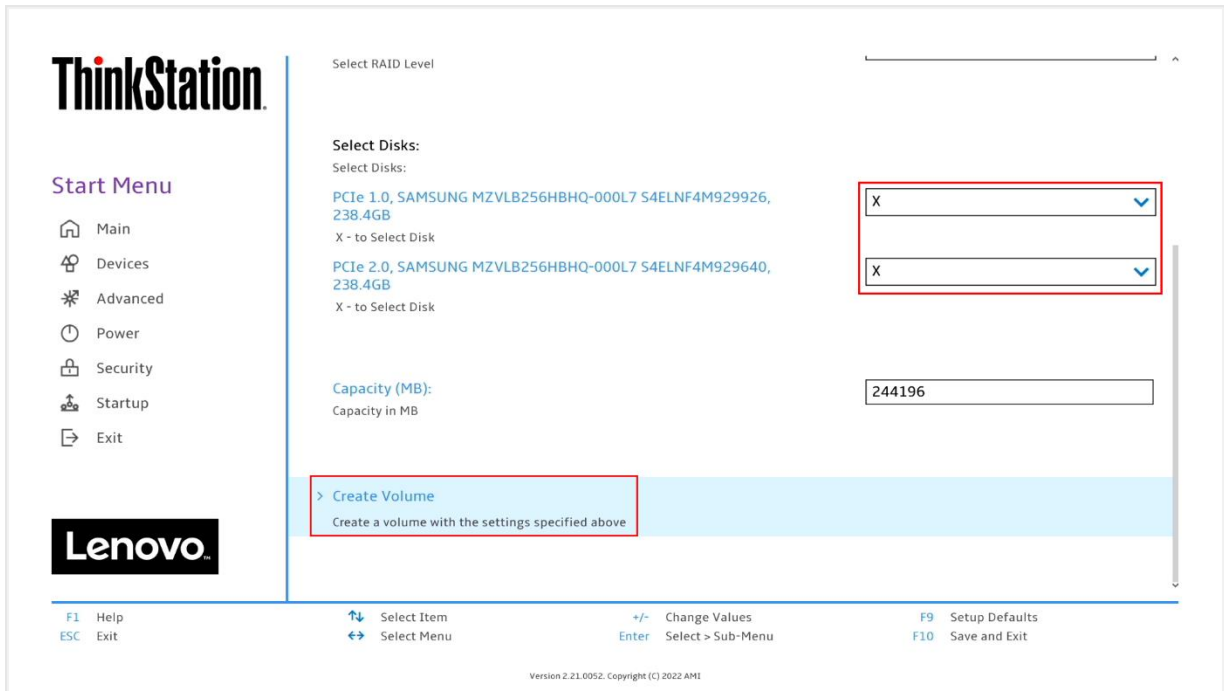
11. Choose a name for the volume.



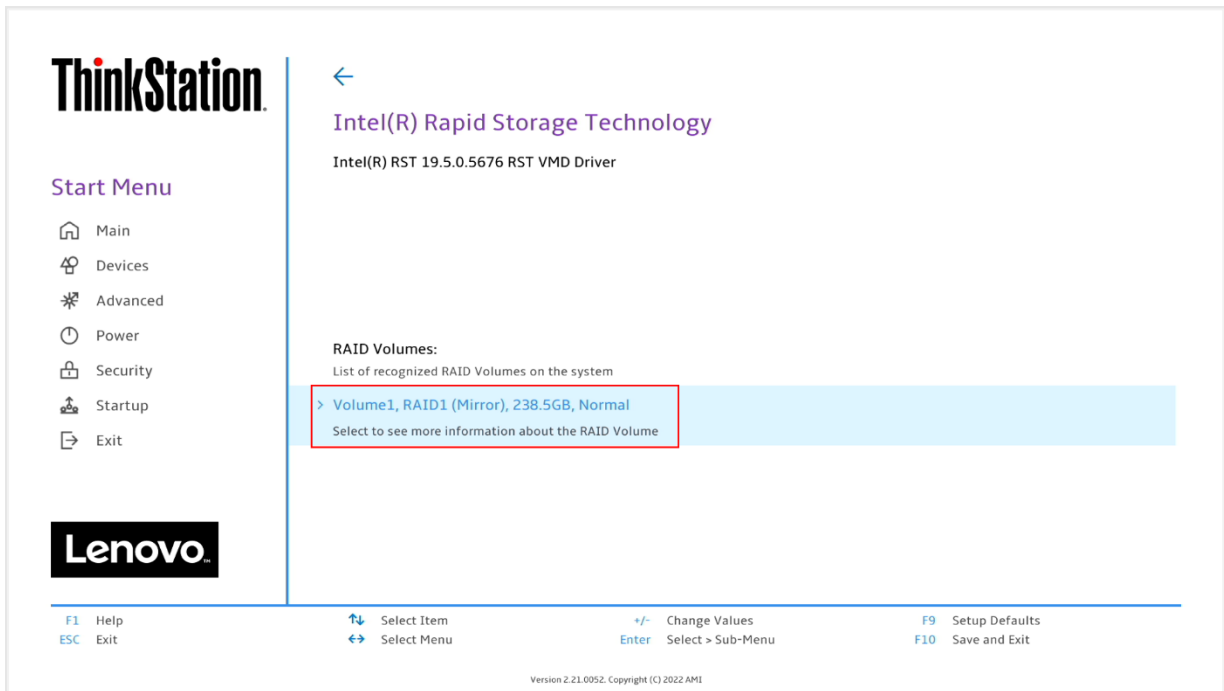
12. Select the drop-down box for “RAID Level” and select the desired RAID level. The RAID level options displayed are based on the type and number of drives available in the system.



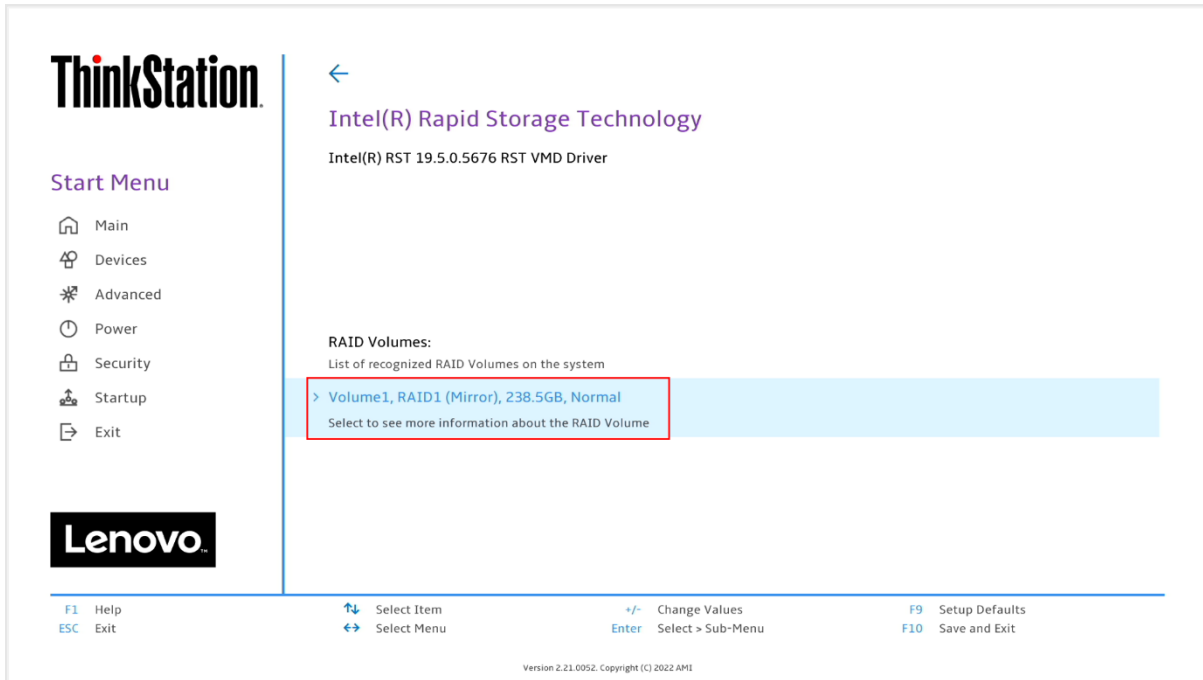
13. On the same page, select the drop-down box for each drive and select “X” to add the drive to the array. Once all the required drives are added, select “Create Volume”. Unselected drives will appear in an OS like normal.



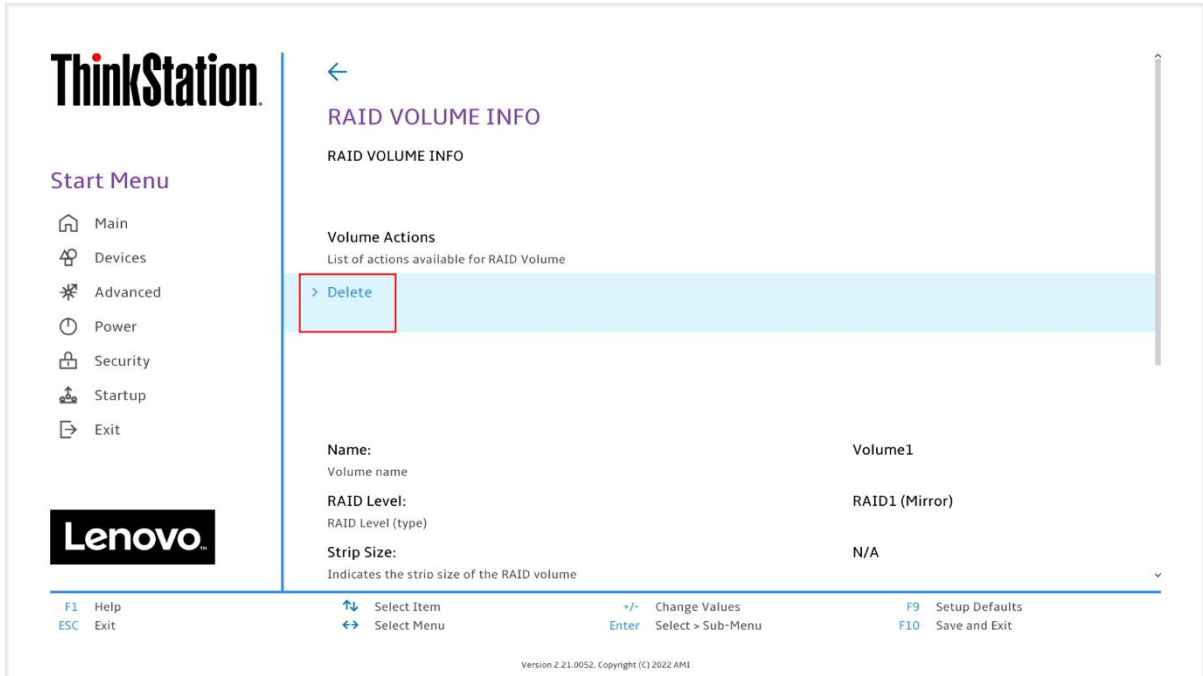
14. From the opening page of the “Intel(R) Rapid Storage Technology”, verify the volume was created properly.



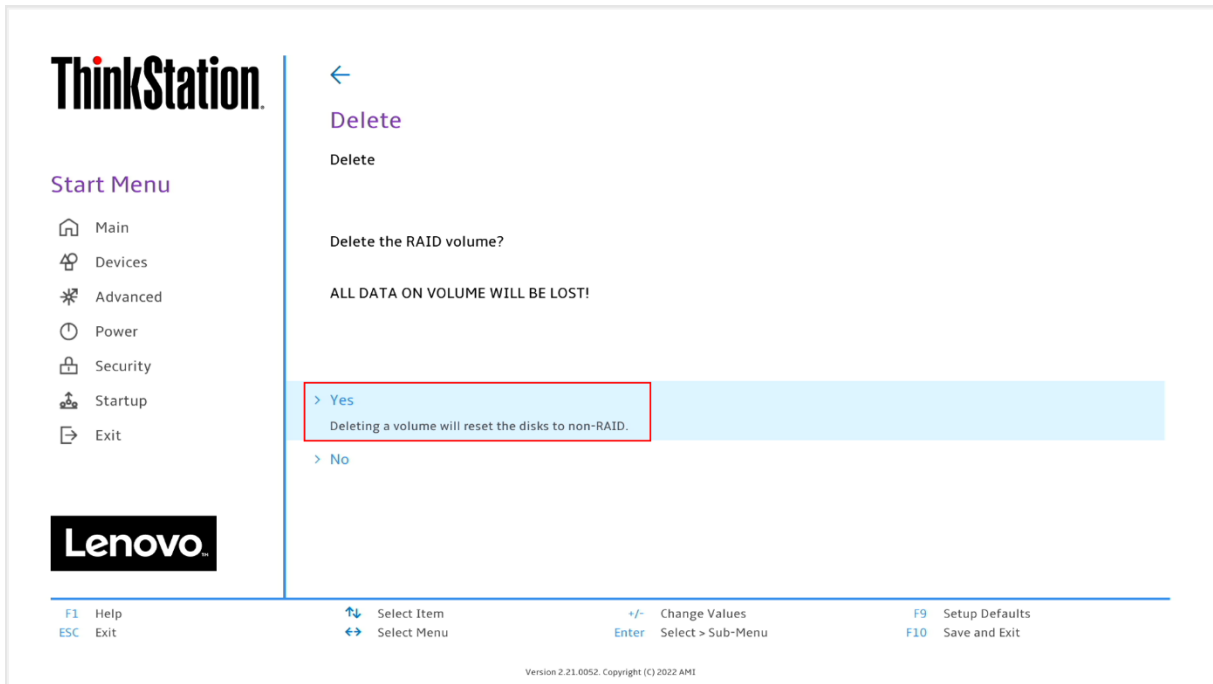
15. To delete an array, select a displayed volume to view information about it.



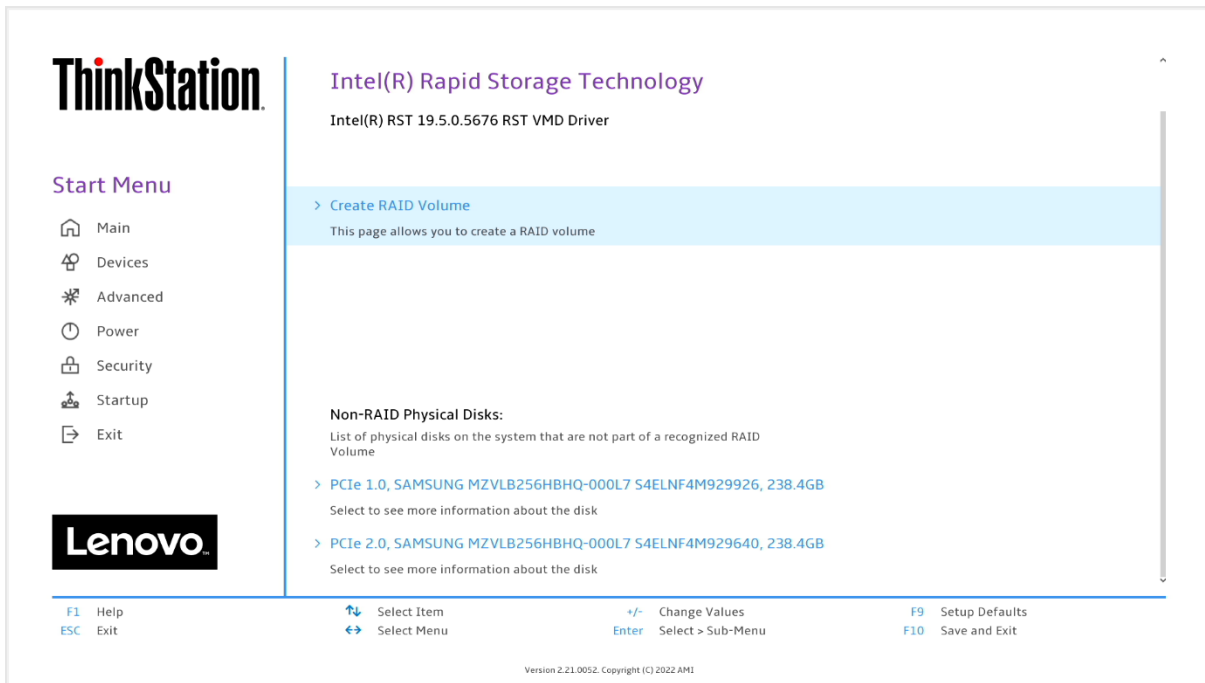
16. Select the "Delete" option.



17. Select “Yes” to confirm the deletion of the volume.



18. To verify the array was deleted, return the opening page of the “Intel(R) Rapid Storage Technology” and verify the drives are once again seen as available for the creation of a new array.



Note: The user may not see the RAID array show up in the BIOS boot sequence until after a bootable operating system has been installed on the array.

Section 8 – Optical Disk Drive in P3 Tower

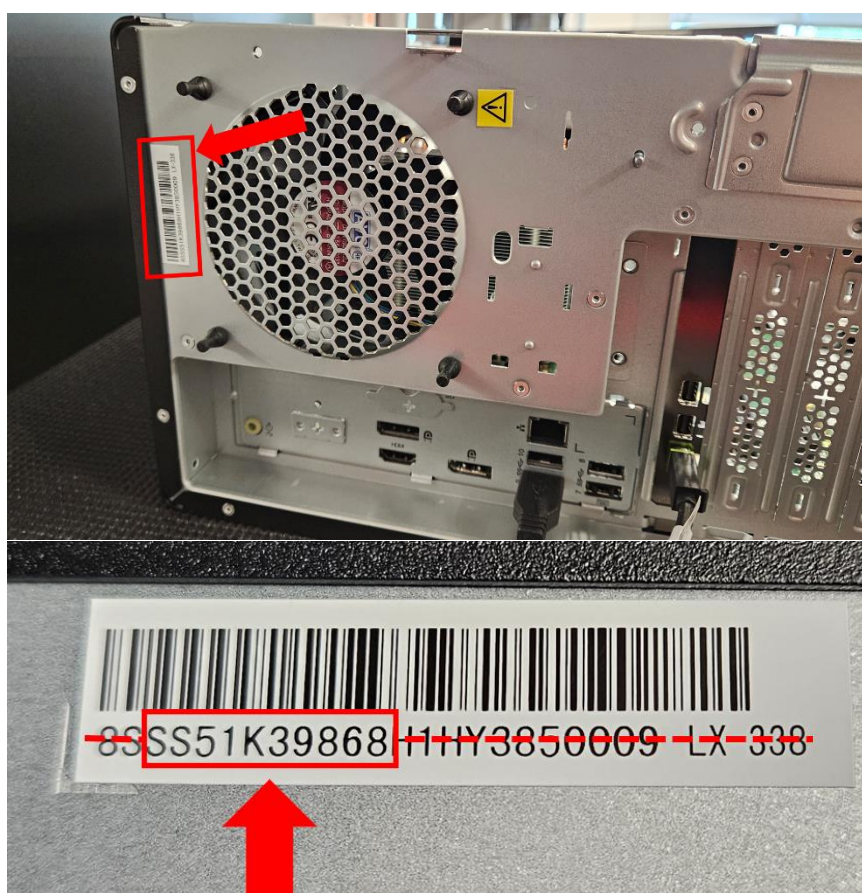
Certain models of P3 Tower offer Optical Disk Drive (ODD) compatibility. To verify this, check the chassis barcode label on the back of the chassis to see if the system is compatible. The chassis part number is embedded in the label.

The following chassis part numbers do NOT support ODD:

- SS51K39864
- SS51H56507
- SS51H56506

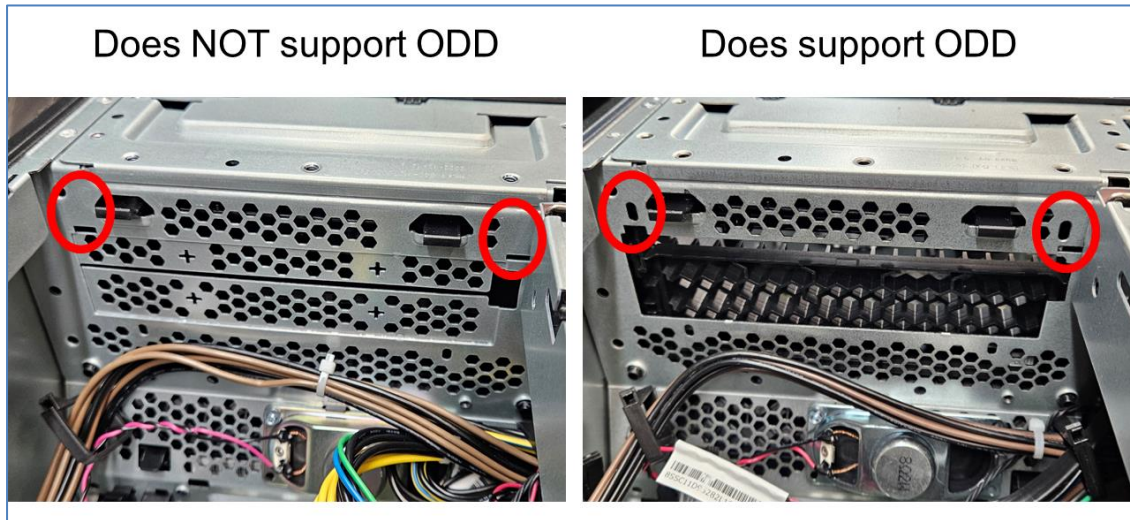
Any chassis part number not listed about can be assumed to support ODD.

Figure 16 - P3 Tower Chassis Label



Another way to determine if the chassis is ODD compatible is to check for the required cutouts in the front of the chassis frame for the ODD bracket. *Figure 17* is an example of the difference:

Figure 17 - P3 Tower ODD Bracket Cutouts

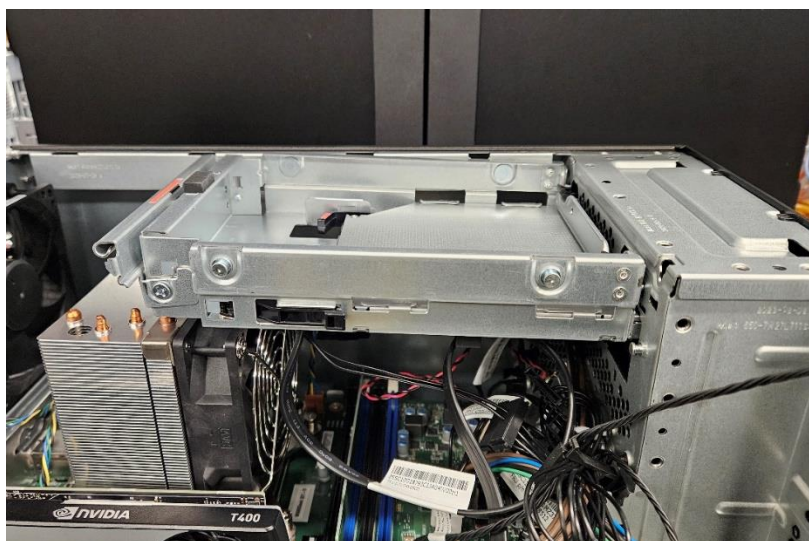


Systems with the ODD bracket installed will have some limitations to the maximum number of SATA drives. The bracket occupies the same space as the 3rd HDD and FASE, which would limit the maximum number of SATA drives to three.

Similar to the 3rd HDD enclosure, the ODD bracket is compatible with either the 125W or 65W CPU coolers (See *Figure 18*).

All components required to install the ODD bracket in the system are listed in this document's Appendix.

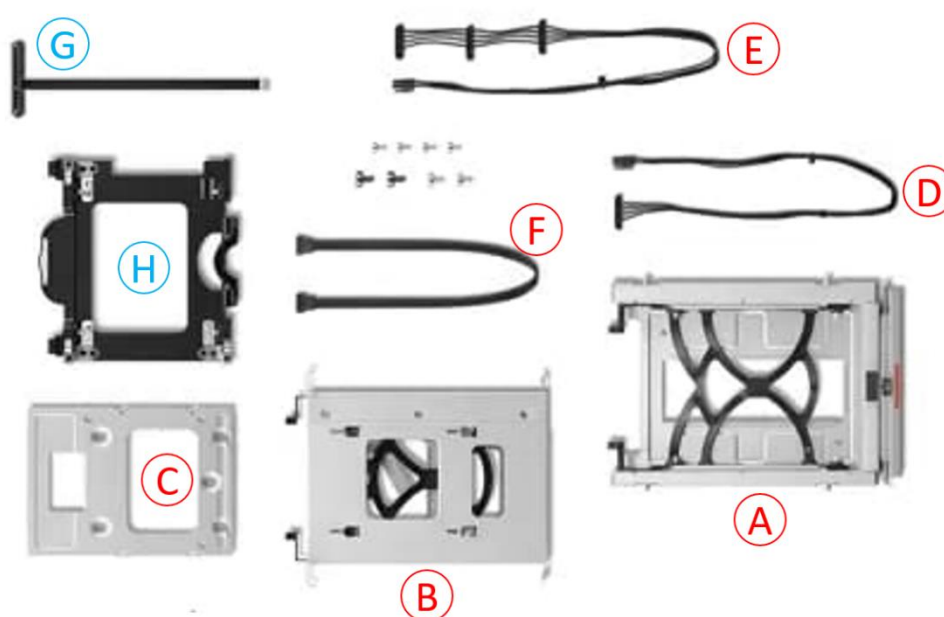
Figure 18 - P3 Tower ODD Bracket with 125W CPU Cooler (chassis beam removed for visibility)



Section 9 – Appendix

This section contains breakdowns of the available option kits or parts required to upgrade an existing P3 system to accept additional storage.

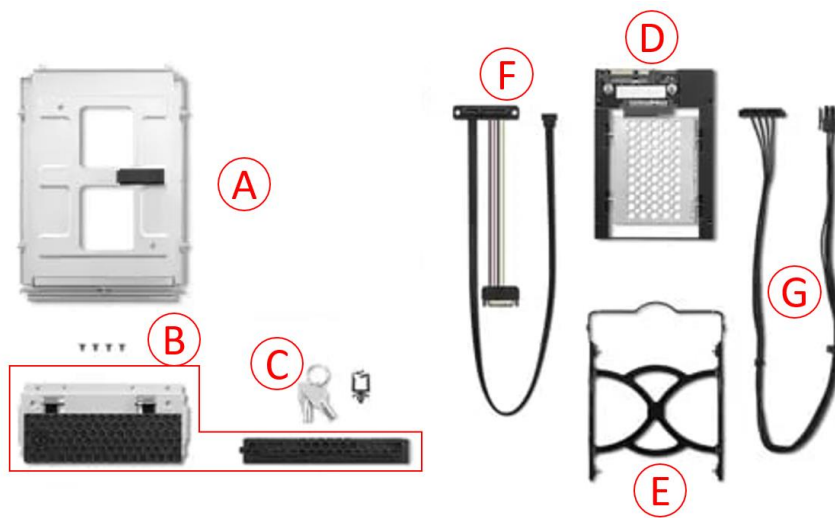
ThinkStation Storage Kit for P3 Tower:



(4XF1M24243) ThinkStation Storage Kit for P3 Tower contains the following:

- A. Top 3.5" HDD Cage Kit (for 3rd HDD)
- B. Bottom 3.5" HDD Cage Kit (for 2nd or 4th HDD)
- C. 3.5" to 2.5" HDD Bracket
- D. Single-drop SATA Power Cable (380mm)
- E. Three-drop SATA Power Cable (320+40+40mm)
- F. Right-angle SATA Data Cable (450mm)
- G. **FOR P3 ULTRA** – SATA Data+Power Ribbon Cable
- H. **FOR P3 ULTRA** – 2.5" HDD Cage

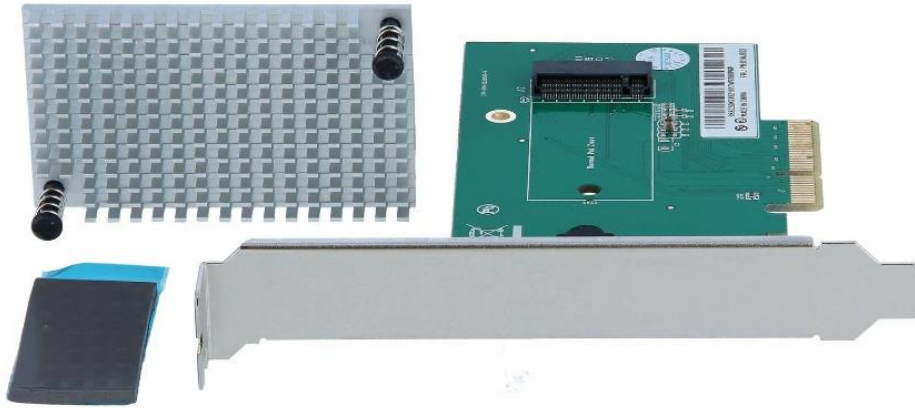
ThinkStation Front Access Storage Enclosure for P3 Tower:



(4XF1M24244) ThinkStation Front Access Storage Enclosure for P3 Tower contains the following:

- A. FASE HDD Cage Hot-Swap Assembly
- B. Front Access Door & Blank Bezel
- C. 2x Keys for locking HDD front access
- D. 3.5" to 2.5" HDD Bracket
- E. 3.5" HDD Tray
- F. Data+Power SATA Cable (520+150mm)
- G. Single-drop SATA Power Cable (380mm)

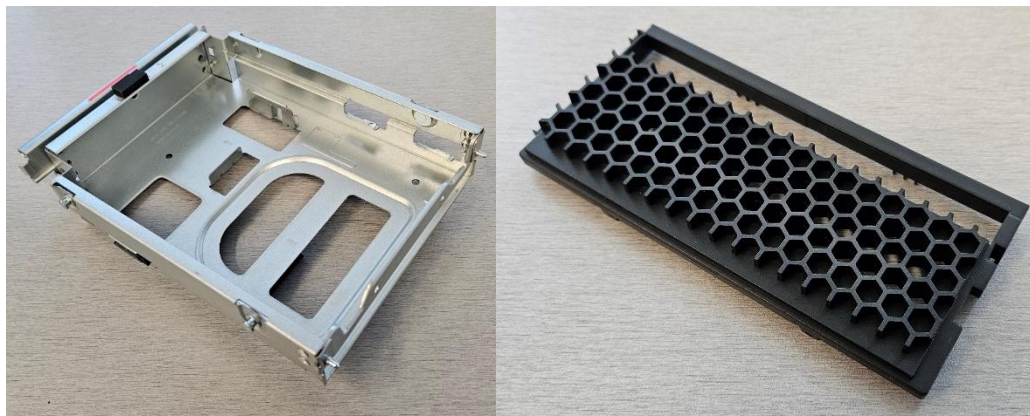
ThinkStation PCIe to M.2 Riser Card (High Profile):



(**4XH0L08578**) ThinkStation PCIe to M.2 Riser Card (HP) contains the following:

- PCIe to M.2 Riser Card with Thermal Pad
- M.2 Push Pin Heatsink Module

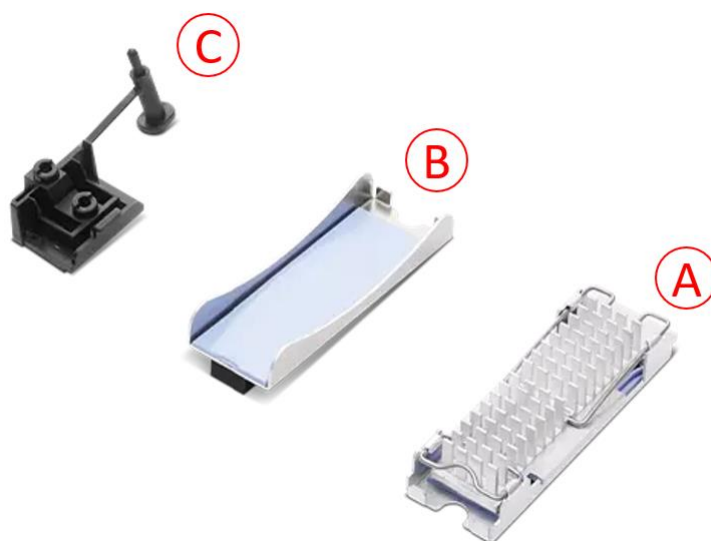
ThinkStation P3 Tower ODD Bracket:



Installation of ODD in P3 Tower requires each of the following:

- ODD Bracket & Bezel kit for P3 Tower
 - FRU **5M11H28786**
- Slim ODD Latch
 - FRU **01EF799**
- 450mm SATA cable with dual right-angle connectors
 - FRU **5C10U58614**
- SATA HDD + ODD Power cable (300mm + 210mm)
 - FRU **5C10U58423**

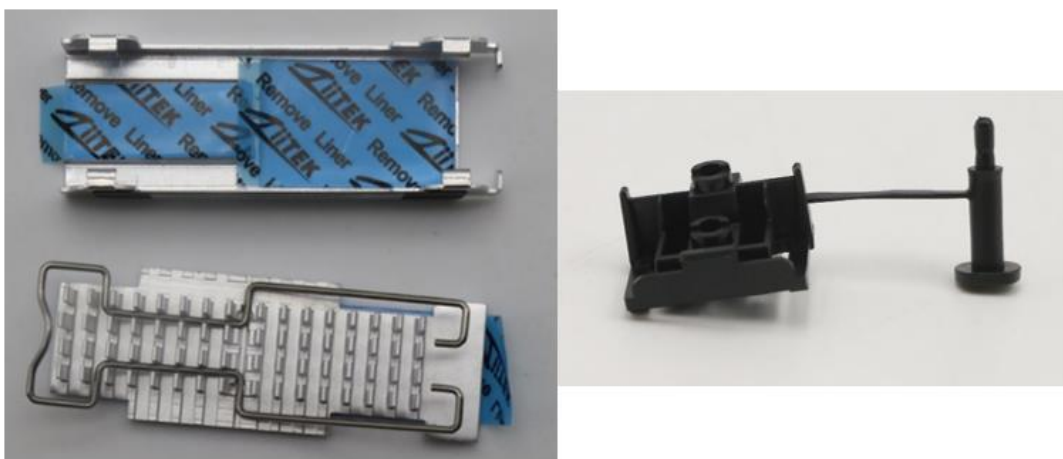
Single-sided NVMe M.2 2280 Heatsinks:



(4XF1C39743) ThinkCentre M.2 2280 SSD Kit III contains:

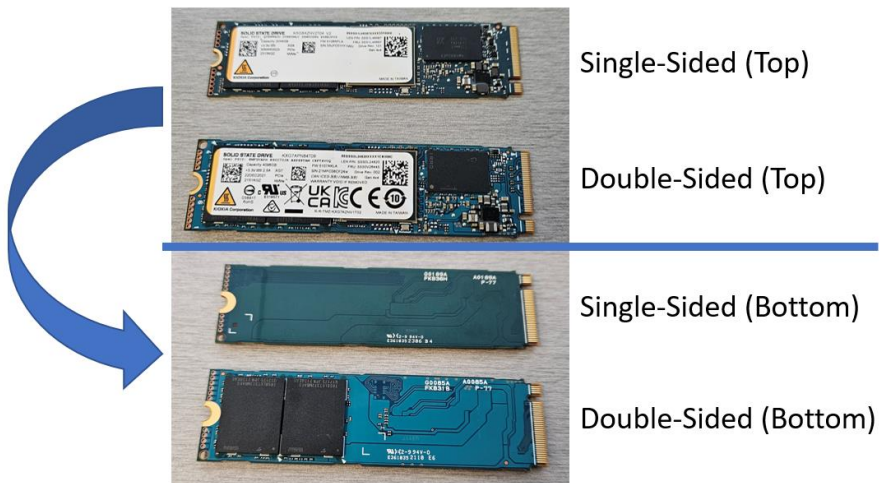
- A. M.2 2280 Heatsink (Top heatsink and carrier, supports single-sided M.2 drives)
- B. M.2 2280 Carrier (unused)
- C. M.2 Bracket with stopper

For Lenovo-supported double-sided 4TB M.2 drives:



- M.2 heatsink set for double-sided M.2 drives
 - FRU **5F10U94103**
- M.2 bracket with stopper (FRU or use one from above option kit)
 - FRU **5M10U50407**

Below is a visual comparison between single-sided and double-sided drives:



Section 10 – Document Revision History

Version	Date	Author	Updates
v1.0	5/25/23	Chris C	Initial Release
v1.1	9/10/23	Chris C	Updated information for P3 Tower RAID
v1.2	10/23/23	Chris C	Minor updates and revised P3 Tower SATA RAID notes
v1.3	12/1/23	Chris C	Added ODD support notes and appendix. Updated SATA capability notes.
v1.4	4/22/24	Chris C	Updated with RPL-R CPUs, new RAID rules
v1.5	2/28/25	Chris C	Updated graphics