

ThinkStation®

P910 Hardware Maintenance Manual

Think



Machine Types: 30B8 and 30B9

Note: Before using this information and the product it supports, be sure to read and understand the Chapter 1 “Read this first: Important safety information” on page 1 and Appendix G “Notices” on page 235.

Fourth Edition (August 2017)

© Copyright Lenovo 2016, 2017.

LIMITED AND RESTRICTED RIGHTS NOTICE: If data or software is delivered pursuant to a General Services Administration “GSA” contract, use, reproduction, or disclosure is subject to restrictions set forth in Contract No. GS-35F-05925.

Contents

About this manual iv

Chapter 1. Read this first: Important safety information. 1

Power cords and power adapters 1
Electrical safety 1
General safety 2
Grounding requirements 3
Safety inspection guide 4
Handling electrostatic discharge-sensitive devices 4
Safety notices (multi-lingual translations) 5

Chapter 2. Product overview 27

Hardware locations 27
 Front view 27
 Rear view 29
 Computer components 32
 Major FRUs and CRUs. 32
 Parts on the system board 35
 Internal drives 37
 Machine type and model label. 39
Computer features 39
Computer specifications 43
Programs 43
 Accessing a program on your computer 43
 Installing a program that is ready to be installed (Windows 7 only) 44
 An introduction to Lenovo programs 44

Chapter 3. Using your computer 47

Registering your computer 47
Setting the computer volume 47
Using a disc. 47
 Guidelines about using the optical drive 47
 Handling and storing a disc 48
 Playing and removing a disc 48
 Recording a disc 48
Connecting to a network. 49
 Connecting to an Ethernet LAN 49
 Connecting to a wireless LAN 49
 Connecting to a Bluetooth-enabled device. 50

Chapter 4. You and your computer 51

Arranging your workspace 51
 Glare and lighting. 51
 Air circulation 51
 Electrical outlet locations and cable lengths 51

 Comfort 51
Accessibility information 52
Cleaning your computer 55
Maintenance 55
 Basic maintenance tips 55
 Good maintenance practices 56
 Keeping your computer current 56
Moving your computer 57

Chapter 5. Security 59

Locking your computer 59
 Locking the computer cover 59
 Attaching a Kensington-style cable lock 61
Viewing and changing security settings in the Setup Utility program 61
Using passwords and Windows accounts 62
Using fingerprint authentication 62
Using the cover presence switch 62
Using firewalls 63
Protecting data against viruses 63
Computrace Agent software embedded in firmware 63
BIOS guard 63
Trusted Platform Module (TPM) 64

Chapter 6. Advanced configuration. 65

Using the Setup Utility program 65
 Starting the Setup Utility program 65
 Changing the display mode of the Setup Utility program 65
 Changing the display language of the Setup Utility program 65
 Enabling or disabling a device. 66
 Enabling or disabling the automatic power-on of your computer 66
 Enabling or disabling the ErP LPS compliance mode 66
 Enabling or disabling the configuration change detection 67
 Changing the BIOS settings before installing a new operating system 67
 Using BIOS passwords 68
 Selecting a startup device 69
 Exiting the Setup Utility program. 70
Updating and recovering the BIOS. 70
 BIOS levels 70
 Updating the BIOS 71
 Recovering from a BIOS update failure 71
Configuring RAID. 72

Configuring RAID with Intel RSTe	72
Quick RAID setup using the AVAGO MegaRAID BIOS configuration utility	74
Chapter 7. Troubleshooting, diagnostics, and recovery	79
Basic procedure for resolving computer problems	79
Troubleshooting	79
Startup problems	79
Audio problems	80
CD or DVD problems	81
Intermittent problems	82
Storage drive problems	82
Ethernet LAN problems	83
Wireless LAN problem	83
Bluetooth problems	84
Performance problems.	85
Serial connector problem.	86
USB device problem	86
Software and driver problems	87
Diagnostics	87
Diagnostic programs	87
Hardware diagnostics	88
UEFI diagnostic program	89
Recovery information	89
Recovery information for Windows 7	89
Recovery information for Windows 10.	90

Chapter 8. Service checkout and symptom-to-FRU index	93
Service checkout.	93
Problem determination tips	93
Symptom-to-FRU index	94
Hard disk drive boot error	94
Power supply problems	95
Beep symptoms	95
POST error codes.	96
Miscellaneous error conditions	97
Undetermined problems	99

Chapter 9. Installing or replacing hardware	101
Handling static-sensitive devices	101
Preparing your computer and removing the computer cover	101
Installing or replacing hardware	102
External options	102
Cover presence switch (intrusion switch)	103
Direct cooling air baffle	105
Device in an optical-drive bay	107

Storage drive in the front-access storage enclosure	109
Device in the Multi-drive Conversion Kit	116
Storage drive in the flex bay storage enclosure	128
Device in the 5.25-inch flex module.	134
Internal storage drive	147
Blind-connect assembly	160
Front fan assembly	163
Multi-function brackets	164
Power supply assembly	166
Battery	168
Flex adapter	169
PCI card	172
Full-length PCI Express card	180
Super capacitor module	185
Memory module	188
Heat sink and fan assemblies	190
Rear fan assembly	192
Wi-Fi units	193
Microprocessor	200
System board	209
Completing the parts replacement	213

Chapter 10. Getting information, help, and service	215
Information resources	215
Accessing the user guide in various languages.	215
Windows help system	215
Safety and warranty.	215
Lenovo Web site	215
Lenovo Support Web site.	216
Frequently asked questions.	216
Help and service	216
Calling for service.	216
Using other services	217
Purchasing additional services	217

Appendix A. System memory speed	219
--	------------

Appendix B. Supplemental information about the Ubuntu operating system	221
---	------------

Appendix C. Regulatory information	223
Export classification notice	223
Electronic emissions notices	223
Federal Communications Commission Declaration of Conformity	223

Eurasian compliance mark	225
Brazil audio notice	225
Mexico wireless-radio compliance information	225
Additional regulatory information	226

Appendix D. WEEE and recycling information 227

Important WEEE information	227
Recycling information for Japan	227
Recycling information for Brazil	228
Battery recycling information for Taiwan	228
Battery recycling information for the European Union	229

Appendix E. Restriction of Hazardous Substances Directive (RoHS) 231

European Union RoHS	231
China RoHS	231
Turkish RoHS	231
Ukraine RoHS	232
India RoHS	232
Taiwan RoHS	232

Appendix F. ENERGY STAR model information 233

Appendix G. Notices. 235
 Trademarks 236

About this manual

This manual provides service and reference information for ThinkStation® computers listed on the front cover.

Use this manual along with the advanced diagnostic tests to troubleshoot problems.

Important: This manual is intended only for trained service technicians who are familiar with ThinkStation computers. Use this manual along with the advanced diagnostic tests to troubleshoot problems effectively. Before servicing a ThinkStation computer, be sure to read and understand Chapter 1 “Read this first: Important safety information” on page 1.

Chapter 1. Read this first: Important safety information

This chapter contains the safety information that you must be familiar with.

Power cords and power adapters

Use only the power cords and power adapters supplied by the product manufacturer. Do not use the ac power cord for other devices.

The power cords shall be safety approved. For Germany, it shall be H05VV-F, 3G, 0.75 mm², or better. For other countries, the suitable types shall be used accordingly.

Never wrap a power cord around a power adapter or other object. Doing so can stress the cord in ways that can cause the cord to fray, crack, or crimp. This can present a safety hazard.

Always route power cords so that they will not be walked on, tripped over, or pinched by objects.

Protect power cord and power adapters from liquids. For instance, do not leave your power cord or power adapter near sinks, tubs, toilets, or on floors that are cleaned with liquid cleansers. Liquids can cause a short circuit, particularly if the power cord or power adapter has been stressed by misuse. Liquids also can cause gradual corrosion of power cord terminals and/or the connector terminals on a power adapter, which can eventually result in overheating.

Ensure that all power cord connectors are securely and completely plugged into receptacles.

Do not use any power adapter that shows corrosion at the ac input pins or shows signs of overheating (such as deformed plastic) at the ac input or anywhere on the power adapter.

Do not use any power cords where the electrical contacts on either end show signs of corrosion or overheating or where the power cord appears to have been damaged in any way.

Electrical safety



CAUTION:

Electrical current from power, telephone, and communication cables can be hazardous. To avoid personal injury or equipment damage, disconnect the attached power cords, telecommunication systems, networks, and modems before you open the computer covers, unless instructed otherwise in the installation and configuration procedures.

Observe the following rules when working on electrical equipment.

Important: Use only approved tools and test equipment. Some hand tools have handles covered with a soft material that does not insulate you when working with live electrical currents. Many customers have, near their equipment, rubber floor mats that contain small conductive fibers to decrease electrostatic discharges. Do not use this type of mat to protect yourself from electrical shock.

- Find the room emergency power-off (EPO) switch, disconnecting switch, or electrical outlet. If an electrical accident occurs, you can then operate the switch or unplug the power cord quickly.
- Do not work alone under hazardous conditions or near equipment that has hazardous voltages.

- Disconnect all power before:
 - Performing a mechanical inspection
 - Working near power supplies
 - Removing or installing Field Replaceable Units (FRUs)
- Before you start to work on the machine, unplug the power cord. If you cannot unplug it, ask the customer to power-off the wall box that supplies power to the machine and to lock the wall box in the off position.
- If you need to work on a machine that has exposed electrical circuits, observe the following precautions:
 - Ensure that another person, familiar with the power-off controls, is near you.
Remember: Another person must be there to switch off the power, if necessary.
 - Use only one hand when working with powered-on electrical equipment; keep the other hand in your pocket or behind your back.
Remember: There must be a complete circuit to cause electrical shock. By observing the above rule, you may prevent a current from passing through your body.
 - When using a tester, set the controls correctly and use the approved probe leads and accessories for that tester.
 - Stand on suitable rubber mats (obtained locally, if necessary) to insulate you from grounds such as metal floor strips and machine frames.

Observe the special safety precautions when you work with very high voltages; these instructions are in the safety sections of maintenance information. Use extreme care when measuring high voltages.

- Regularly inspect and maintain your electrical hand tools for safe operational condition.
- Do not use worn or broken tools and testers.
- *Never assume* that power has been disconnected from a circuit. First, *check* that it has been powered-off.
- Always look carefully for possible hazards in your work area. Examples of these hazards are moist floors, nongrounded power extension cables, power surges, and missing safety grounds.
- Do not touch live electrical circuits with the reflective surface of a plastic dental mirror. The surface is conductive; such touching can cause personal injury and machine damage.
- Do not service the following parts with the power on when they are removed from their normal operating places in a machine:
 - Power supply units
 - Pumps
 - Blowers and fans
 - Motor generators
 and similar units. (This practice ensures correct grounding of the units.)
- If an electrical accident occurs:
 - Use caution; do not become a victim yourself.
 - Switch off power.
 - Send another person to get medical aid.

General safety

Follow these rules to ensure general safety:

- Observe good housekeeping in the area of the machines during and after maintenance.
- When lifting any heavy object:
 1. Ensure you can stand safely without slipping.

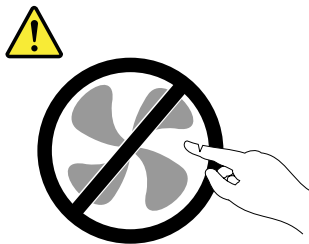
2. Distribute the weight of the object equally between your feet.
3. Use a slow lifting force. Never move suddenly or twist when you attempt to lift.
4. Lift by standing or by pushing up with your leg muscles; this action removes the strain from the muscles in your back.

Attention:

Do not attempt to lift any objects that weigh more than 16 kg (35 lb) or objects that you think are too heavy for you.

- Do not perform any action that causes hazards to the customer, or that makes the equipment unsafe.
- Before you start the machine, ensure that other service representatives and the customer's personnel are not in a hazardous position.
- Place removed covers and other parts in a safe place, away from all personnel, while you are servicing the machine.
- Keep your tool case away from walk areas so that other people will not trip over it.
- Do not wear loose clothing that can be trapped in the moving parts of a machine. Ensure that your sleeves are fastened or rolled up above your elbows. If your hair is long, fasten it.
- Insert the ends of your necktie or scarf inside clothing or fasten it with a nonconductive clip, approximately 8 centimeters (3 inches) from the end.
- Do not wear jewelry, chains, metal-frame eyeglasses, or metal fasteners for your clothing.
Remember: Metal objects are good electrical conductors.
- Wear safety glasses when you are: hammering, drilling, soldering, cutting wire, attaching springs, using solvents, or working in any other conditions that might be hazardous to your eyes.
- After service, reinstall all safety shields, guards, labels, and ground wires. Replace any safety device that is worn or defective.
- Reinstall all covers correctly before returning the machine to the customer.

CAUTION:



Hazardous moving parts. Keep fingers and other body parts away.

CAUTION:



Before you open the computer cover, turn off the computer and wait several minutes until the computer is cool.

Grounding requirements

Electrical grounding of the computer is required for operator safety and correct system function. Proper grounding of the electrical outlet can be verified by a certified electrician.

Safety inspection guide

The intent of this inspection guide is to assist you in identifying potentially unsafe conditions on these products. Each machine, as it was designed and built, had required safety items installed to protect users and service personnel from injury. This guide addresses only those items. However, good judgment should be used to identify potential safety hazards due to attachment of features or options not covered by this inspection guide.

If any unsafe conditions are present, you must determine how serious the apparent hazard could be and whether you can continue without first correcting the problem.

Consider these conditions and the safety hazards they present:

- Electrical hazards, especially primary power (primary voltage on the frame can cause serious or fatal electrical shock).
- Explosive hazards, such as a damaged CRT face or bulging capacitor
- Mechanical hazards, such as loose or missing hardware

The guide consists of a series of steps presented in a checklist. Begin the checks with the power off, and the power cord disconnected.

Checklist:

1. Check exterior covers for damage (loose, broken, or sharp edges).
2. Power-off the computer. Disconnect the power cord.
3. Check the power cord for:
 - a. A third-wire ground connector in good condition. Use a meter to measure third-wire ground continuity for 0.1 ohm or less between the external ground pin and frame ground.
 - b. The power cord should be the appropriate type as specified in the parts listings.
 - c. Insulation must not be frayed or worn.
4. Remove the cover.
5. Check for any obvious alterations. Use good judgment as to the safety of any alterations.
6. Check inside the unit for any obvious unsafe conditions, such as metal filings, contamination, water or other liquids, or signs of fire or smoke damage.
7. Check for worn, frayed, or pinched cables.
8. Check that the power-supply cover fasteners (screws or rivets) have not been removed or tampered with.

Handling electrostatic discharge-sensitive devices

Any computer part containing transistors or integrated circuits (ICs) should be considered sensitive to electrostatic discharge (ESD). ESD damage can occur when there is a difference in charge between objects. Protect against ESD damage by equalizing the charge so that the machine, the part, the work mat, and the person handling the part are all at the same charge.

Notes:

1. Use product-specific ESD procedures when they exceed the requirements noted here.
2. Make sure that the ESD protective devices you use have been certified (ISO 9000) as fully effective.

When handling ESD-sensitive parts:

- Keep the parts in protective packages until they are inserted into the product.
- Avoid contact with other people while handling the part.

- Wear a grounded wrist strap against your skin to eliminate static on your body.
- Prevent the part from touching your clothing. Most clothing is insulative and retains a charge even when you are wearing a wrist strap.
- Use the black side of a grounded work mat to provide a static-free work surface. The mat is especially useful when handling ESD-sensitive devices.
- Select a grounding system, such as those listed below, to provide protection that meets the specific service requirement.

Note: The use of a grounding system is desirable but not required to protect against ESD damage.

- Attach the ESD ground clip to any frame ground, ground braid, or green-wire ground.
- Use an ESD common ground or reference point when working on a double-insulated or battery-operated system. You can use coax or connector-outside shells on these systems.
- Use the round ground-prong of the ac plug on ac-operated computers.

Safety notices (multi-lingual translations)

The caution and danger safety notices in this section are provided in the following languages:

- English
- Arabic
- Brazilian/Portuguese
- Chinese (simplified)
- Chinese (traditional)
- French
- German
- Hebrew
- Italian
- Korean
- Spanish



DANGER

Electrical current from power, telephone and communication cables is hazardous.

To avoid a shock hazard:

- **Do not connect or disconnect any cables or perform installation, maintenance, or reconfiguration of this product during an electrical storm.**
- **Connect all power cords to a properly wired and grounded electrical outlet.**
- **Connect to properly wired outlets any equipment that will be attached to this product.**
- **When possible, use one hand only to connect or disconnect signal cables.**
- **Never turn on any equipment when there is evidence of fire, water, or structural damage.**

- **Disconnect the attached power cords, telecommunications systems, networks, and modems before you open the device covers, unless instructed otherwise in the installation and configuration procedures.**
- **Connect and disconnect cables as described in the following tables when installing, moving, or opening covers on this product or attached devices.**

To Connect	To Disconnect
<ol style="list-style-type: none"> 1. Turn everything OFF. 2. First, attach all cables to devices. 3. Attach signal cables to connectors. 4. Attach power cords to outlet. 5. Turn device ON. 	<ol style="list-style-type: none"> 1. Turn everything OFF. 2. First, remove power cords from outlet. 3. Remove signal cables from connectors. 4. Remove all cables from devices.



CAUTION:

When replacing the lithium battery, use only Part Number 45C1566 or an equivalent type battery recommended by the manufacturer. If your system has a module containing a lithium battery, replace it only with the same module type made by the same manufacturer. The battery contains lithium and can explode if not properly used, handled, or disposed of. *Do not:*

- **Throw or immerse into water**
- **Heat to more than 100°C (212°F)**
- **Repair or disassemble**

Dispose of the battery as required by local ordinances or regulations.



CAUTION:

When laser products (such as CD-ROMs, DVD-ROM drives, fiber optic devices, or transmitters) are installed, note the following:

- **Do not remove the covers. Removing the covers of the laser product could result in exposure to hazardous laser radiation. There are no serviceable parts inside the device.**
- **Use of controls or adjustments or performance of procedures other than those specified herein might result in hazardous radiation exposure.**

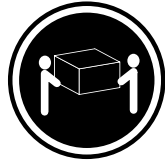


DANGER

Some laser products contain an embedded Class 3A or Class 3B laser diode. Note the following:

Laser radiation when open. Do not stare into the beam, do not view directly with optical instruments, and avoid direct exposure to the beam.





≥18 kg (37 lb)



≥32 kg (70.5 lb)



≥55 kg (121.2 lb)

CAUTION:
Use safe practices when lifting.



CAUTION:
The power control button on the device and the power switch on the power supply do not turn off the electrical current supplied to the device. The device also might have more than one power cord. To remove all electrical current from the device, ensure that all power cords are disconnected from the power source.



التيار الكهربائي الموجود بمصدر الطاقة أو أجهزة التليفون أو أسلاك الاتصالات يشكل خطورة.

لتفادي مخاطر الصدمات الكهربائية:

لا تحاول توصيل أو فصل أي أسلاك أو القيام بعمليات تركيب أو صيانة أو إعادة توصيف لهذا المنتج أثناء وجود عاصفة كهربائية.

يجب توصيل كل أسلاك الكهرباء في مخارج كهرباء ذات توصيلات أسلاك وتوصيلات أرضية صحيحة
يجب توصيل أي جهاز سيتم الحاقه بهذا المنتج في مخارج كهرباء ذات توصيلات أسلاك صحيحة.

وإن أمكن يجب استخدام يد واحدة فقط في توصيل أو فصل أسلاك الإشارة.

لا تحاول تشغيل أي جهاز إذا كان هناك أثر لحرق أو مياه أو تلف بالمكونات

يجب فصل أسلاك الكهرباء وأنظمة الاتصالات وشبكات الاتصال وأجهزة المودم الملحقة قبل فتح أغطية الجهاز، مالم يتم طلب خلاف ذلك في التعليمات الخاصة بالتركيب والتوصيف.
قم بتوصيل وفصل الأسلاك كما هو موضح في الجدول التالي وذلك عند القيام بعمليات التركيب أو النقل أو فتح أغطية هذا المنتج أو الأجهزة الملحقة.

للفصل:

- قم بإيقاف كل شيء.
- أولاً، قم بفصل كل أسلاك الكهرباء من المخرج.
- قم بفصل أسلاك الإشارة من الموصلات.
- قم بفصل كل الأسلاك من الأجهزة.

للتوصيل:

- قم بإيقاف كل شيء.
- أولاً، قم بتوصيل كل الأسلاك بالأجهزة.
- قم بتوصيل أسلاك الإشارة في الموصلات.
- قم بتوصيل أسلاك الكهرباء في المخرج.
- قم بتشغيل الجهاز.



تنبيه :

عند استبدال البطارية الليثيوم، استخدم فقط رقم الجزء الخاص **Part Number 45C1566**

أو نوع آخر يكون على نفس مستوى الكفاءة يحدده لك المصنع.

إذا كان النظام الخاص يستخدم معه بطارية ليثيوم قم باستبدالها بنفس النوع الذي تم صناعته من خلال نفس المصنع. تحتوي البطارية على مادة الليثيوم ويمكن أن تنفجر في حالة عدم استخدامها أو التعامل معها بطريقة صحيحة أو عند التخلص منها بطريقة خطأ.

لا تقم بـ:

- القاء البطارية أو غمرها في الماء
- تسخينها أعلى من ١٠٠ درجة مئوية و(٢١٢ ° فهرنهايت)
- بتصلبها أو فكها

تخلص من البطارية طبقاً للقانون أو النظام المحلي .



تنبيهه :
أثناء تركيب منتجات ليزر (مثل CD-ROMs أو وحدة تشغيل DVD أو أجهزة Fiber Optic أو وحدات الإرسال) يجب مراعاة الآتي:

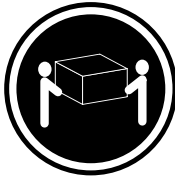
لا تنزع الأغطية. قد ينتج عن نزع أغطية منتج الليزر انفجار أشعة الليزر شديدة الخطورة.
لا يوجد أجزاء يمكن تغييرها داخل الجهاز. قد ينتج عن استخدام تحكمات أو تعديلات أو عمل أي تصرفات أخرى تخالف ما هو محدد هنا إلى انفجار أشعة شديدة الخطورة.



خطر

تحتوي بعض منتجات الليزر على الفئة دايموند ليزر مدمج من الفئة Class 3A أو Class 3B. يجب مراعاة الآتي .

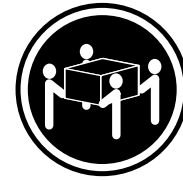
أشعة الليزر عند الفتح. لا تحدد إلى الإشعاع و لا تنظر إليه مباشرة بواسطة أي أجهزة مرئية وتجنب التعرض المباشر للإشعاع .



≥18 kg (37 lb)



≥32 kg (70.5 lb)

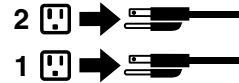


≥55 kg (121.2 lb)

تنبيهه :
يجب استخدام ممارسات أمانة عند الرفع



تنبيهه :
لا يقيم زر التحكم في التشغيل الموجود على الجهاز والمفتاح الكهربائي الموجود على لوحة التحكم بإيقاف التيار الكهربائي المار بالجهاز. قد يكون للجهاز أكثر من سلك كهربائي واحد. لإيقاف التيار الكهربائي المار بالجهاز، تأكد من فصل جميع أسلاك الكهرباء من مصدر الكهرباء .



PERIGO

A corrente elétrica proveniente de cabos de alimentação, de telefone e de comunicações é perigosa.

Para evitar risco de choque elétrico:

- Não conecte nem desconecte nenhum cabo ou execute instalação, manutenção ou reconfiguração deste produto durante uma tempestade com raios.
- Conecte todos os cabos de alimentação a tomadas elétricas corretamente instaladas e aterradas.
- Todo equipamento que for conectado a este produto deve ser conectado a tomadas corretamente instaladas.
- Quando possível, utilize apenas uma das mãos para conectar ou desconectar cabos de sinal.
- Nunca ligue nenhum equipamento quando houver evidência de fogo, água ou danos estruturais.
- Antes de abrir tampas de dispositivos, desconecte cabos de alimentação, sistemas de telecomunicação, redes e modems conectados, a menos que especificado de maneira diferente nos procedimentos de instalação e configuração.
- Conecte e desconecte os cabos conforme descrito na tabela apresentada a seguir ao instalar, mover ou abrir tampas deste produto ou de dispositivos conectados.

Para Conectar:	Para Desconectar:
<ol style="list-style-type: none">1. DESLIGUE Tudo.2. Primeiramente, conecte todos os cabos aos dispositivos.3. Conecte os cabos de sinal aos conectores.4. Conecte os cabos de alimentação às tomadas.5. LIGUE os dispositivos.	<ol style="list-style-type: none">1. DESLIGUE Tudo.2. Primeiramente, remova os cabos de alimentação das tomadas.3. Remova os cabos de sinal dos conectores.4. Remova todos os cabos dos dispositivos.



CUIDADO:

Ao substituir a bateria de lítio, utilize apenas uma bateria com Número de Peça 45C1566 ou um tipo de bateria equivalente recomendado pelo Se o seu sistema possui um módulo com uma bateria de lítio, substitua-o apenas por um módulo do mesmo tipo e do mesmo fabricante. A bateria contém lítio e pode explodir se não for utilizada, manuseada ou descartada de maneira correta.

Não:

- Jogue ou coloque na água
- Aqueça a mais de 100°C (212°F)
- Conserte nem desmonte

Descarte a bateria conforme requerido pelas leis ou regulamentos locais.



PRECAUCIÓN:

Quando produtos a laser (como unidades de CD-ROMs, unidades de DVD-ROM, dispositivos de fibra ótica ou transmissores) estiverem instalados, observe o seguinte:

- Não remova as tampas. A remoção das tampas de um produto a laser pode resultar em exposição prejudicial à radiação de laser. Não existem peças que podem ser consertadas no interior do dispositivo.

- A utilização de controles ou ajustes ou a execução de procedimentos diferentes dos especificados aqui pode resultar em exposição prejudicial à radiação.

PERIGO

Alguns produtos a laser contêm diodo de laser integrado da Classe 3A ou da Classe 3B. Observe o seguinte:

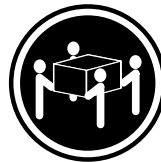
Radiação a laser quando aberto. Não olhe diretamente para o feixe a olho nu ou com instrumentos ópticos e evite exposição direta ao feixe.



≥18 kg (37 lb)



≥32 kg (70.5 lb)



≥55 kg (121.2 lb)

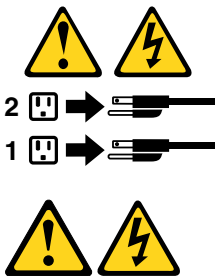
CUIDADO:

Utilize procedimentos de segurança para levantar equipamentos.



CUIDADO:

O botão de controle de alimentação do dispositivo e o botão para ligar/desligar da fonte de alimentação não desligam a corrente elétrica fornecida ao dispositivo. O dispositivo também pode ter mais de um cabo de alimentação. Para remover toda a corrente elétrica do dispositivo, assegure que todos os cabos de alimentação estejam desconectados da fonte de alimentação.



危险

电源、电话和通信电缆中的电流是危险的。

为避免电击危险：

- 请勿在雷电期间连接或断开任何电缆的连接，或者对本产品进行安装、维护或重新配置。
- 将所有电源线连接到正确连线和妥善接地的电源插座。
- 将所有要连接到该产品的设备连接到正确连线的插座。
- 如果可能，请仅使用一只手来连接或断开信号电缆的连接。
- 切勿在有火、水、结构损坏迹象的情况下开启任何设备。
- 在打开设备外盖之前请断开已连接的电源线、远程通信系统、网络和调制解调器，除非在安装和配置过程中另有说明。
- 当安装、移动或打开该产品或连接设备的外盖时，请按照下表所述来连接或断开电缆的连接。

要连接	要断开连接
<ol style="list-style-type: none">1. 切断所有电源。2. 首先将所有电缆连接到设备。3. 将信号电缆连接到接口。4. 将电源线连接到插座。5. 开启设备。	<ol style="list-style-type: none">1. 切断所有电源。2. 首先从插座上拔出电源线。3. 从接口上拔出信号电缆。4. 从设备上拔出所有电缆。



警告：
更换锂电池时，请仅使用部件号为 45C1566 的电池或制造商推荐的同类电池。如果您的系统有包含锂电池的模块，请仅使用同一制造商生产的相同模块类型来替换该模块。该电池中含有锂，如果使用、操作或处理不当，可能会发生爆炸。

切勿：

- 投入或浸入水中
- 加热到 100°C (212°F) 以上
- 维修或拆卸

请按照当地法令或条例的要求处理电池。



警告：
安装激光产品（例如 CD-ROM、DVD-ROM 驱动器、光纤设备或发射设备）时，请注意以下声明：

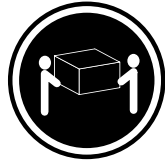
- 请勿卸下外盖。卸下激光产品的外盖可能导致遭受激光辐射的危险。该设备内没有可维修的部件。
- 如果不按照此处指定的过程进行控制、调整或操作，则有可能导致遭受辐射的危险。



危險

某些激光产品包含嵌入式 3A 类或 3B 类激光二极管。请注意以下声明：

打开后有激光辐射。请勿直视光束，请勿直接用光学仪器查看，并请避免直接暴露在光束中。

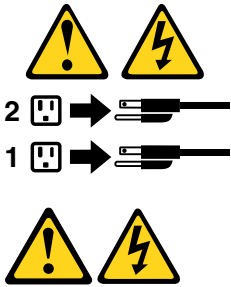


≥18 千克 (37 磅) ≥32 千克 (70.5 磅) ≥55 千克 (121.2 磅)

警告：
抬起时请采取安全措施。



警告：
设备上的电源控制按钮和电源上的电源开关不会切断供给该设备的电流。该设备还可能有多条电源线。要切断该设备的所有电流，请确保所有电源线都与电源断开连接。



危險

電源、電話及通訊纜線上的電流都具有危險性。

若要避免觸電危險：

- 請勿在雷雨期間，連接或拔除纜線、執行安裝、維護或重新配置本產品。
- 將所有電源線連接到正確配線及接地的電源插座。
- 任何與本產品連接的設備都必須連接到配線妥當的電源插座。
- 請盡可能用單手連接或拔除信號線。
- 發生火災、水災或結構損害時，絕對不要開啟任何設備。
- 除非在安裝及配置程序中另有指示，否則在開啟裝置機蓋之前，請拔掉連接的電源線、電信系統、網路及數據機。
- 安裝、移動或開啟本產品或附屬裝置的機蓋時，請遵循下列說明連接及拔掉纜線。

連線	切斷連線
<ol style="list-style-type: none"> 1. 關閉所有開關。 2. 首先，連接所有接線到裝置。 3. 連接信號線到接頭。 4. 連接電源線到插座。 5. 開啟裝置。 	<ol style="list-style-type: none"> 1. 關閉所有開關。 2. 首先，拔掉插座上的電源線。 3. 拔掉接頭上的信號線。 4. 拔掉裝置上所有接線。



警告：

更換鋰電池時，請僅使用產品編號 **45C1566** 或製造商所建議的同類型電池。
如果您的系統中含有鋰電池模組，請僅使用同一家製造商所生產的相同模組進行更換。
如果未以正確方式使用、處理或棄置含鋰的電池，會有爆炸的危險。
請勿：

- 沾溼或浸入水中
 - 置於 **100°C (212°F)** 以上的高溫環境
 - 修理或拆開
- 請按照各地區有關廢棄電池的法令和規定處理舊電池。



警告：

- 請勿移除機蓋。移除雷射產品的機蓋，可能會導致暴露在危險的雷射輻射中。裝置內部並無可自行維修的零件。
- 利用或執行非本文中指定的控制、調整及執行程序，可能會導致危險的輻射外洩。



危險

部分雷射產品含有內嵌式 **Class 3A** 或 **Class 3B** 雷射二極體。請注意下列事項：
在開啟光碟機時，會發生雷射輻射。請勿直視光束或用光學儀器直接檢視，並避免直接暴露在光束中。



≥ 18 公斤 (37 磅)



≥ 32 公斤 (70.5 磅)

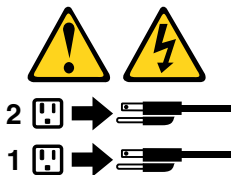


≥ 55 公斤 (121.2 磅)

警告：
搬運時請注意安全。



警告：
裝置上的電源控制按鈕及電源供應器上的電源開關，無法關閉裝置所產生的電流。
該裝置可能有多條電源線。若要除去裝置流出的所有電流，請確認已切斷所有電源線的電源。



DANGER

Le courant électrique provenant de l'alimentation, du téléphone et des câbles de transmission peut présenter un danger.

Pour éviter tout risque de choc électrique :

- Ne manipulez aucun câble et n'effectuez aucune opération d'installation, d'entretien ou de reconfiguration de ce produit au cours d'un orage.
- Branchez tous les cordons d'alimentation sur un socle de prise de courant correctement câblé et mis à la terre.
- Branchez sur des socles de prise de courant correctement câblés tout équipement connecté à ce produit.
- Lorsque cela est possible, n'utilisez qu'une seule main pour connecter ou déconnecter les câbles d'interface.
- Ne mettez jamais un équipement sous tension en cas d'incendie ou d'inondation, ou en présence de dommages matériels.
- Avant de retirer les carters de l'unité, mettez celle-ci hors tension et déconnectez ses cordons d'alimentation, ainsi que les câbles qui la relient aux réseaux, aux systèmes de télécommunication et aux modems (sauf instruction contraire mentionnée dans les procédures d'installation et de configuration).
- Lorsque vous installez, que vous déplacez, ou que vous manipulez le présent produit ou des périphériques qui lui sont raccordés, reportez-vous aux instructions ci-dessous pour connecter et déconnecter les différents cordons.

Connexion	Déconnexion
<ol style="list-style-type: none">1. Mettez les unités HORS TENSION.2. Commencez par brancher tous les cordons sur les unités.3. Branchez les câbles d'interface sur des connecteurs.4. Branchez les cordons d'alimentation sur des prises.5. Mettez les unités SOUS TENSION.	<ol style="list-style-type: none">1. Mettez les unités HORS TENSION.2. Débranchez les cordons d'alimentation des prises.3. Débranchez les câbles d'interface des connecteurs.4. Débranchez tous les câbles des unités.



ATTENTION:

Remplacer la pile au lithium usagée par une pile de référence identique exclusivement, (référence 45C1566), ou suivre les instructions du fabricant qui en définit les équivalences. Si votre système est doté d'un module contenant une pile au lithium, vous devez le remplacer uniquement par un module identique, produit par le même fabricant. La pile contient du lithium et peut exploser en cas de mauvaise utilisation, de mauvaise manipulation ou de mise au rebut inappropriée.

Ne pas :

- la jeter à l'eau,
- l'exposer à des températures supérieures à 100°C,
- chercher à la réparer ou à la démonter.

Ne pas mettre la pile à la poubelle. Pour la mise au rebut, se reporter à la réglementation en vigueur.



ATTENTION:

Si des produits à laser (tels que des unités de CD-ROM, de DVD-ROM, des unités à fibres optiques, ou des émetteurs) sont installés, prenez connaissance des informations suivantes :

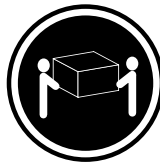
- Ne retirez pas le carter. En ouvrant l'unité de CD-ROM ou de DVD-ROM, vous vous exposez au rayonnement dangereux du laser. Aucune pièce de l'unité n'est réparable.
- Pour éviter tout risque d'exposition au rayon laser, respectez les consignes de réglage et d'utilisation des commandes, ainsi que les procédures décrites dans le présent manuel.



DANGER

Certains produits à laser contiennent une diode à laser intégrée de classe 3A ou 3B. Prenez connaissance des informations suivantes:

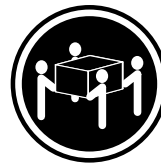
Rayonnement laser lorsque le carter est ouvert. Evitez toute exposition directe au rayon laser. Evitez de regarder fixement le faisceau ou de l'observer à l'aide d'instruments optiques.



≥18 kg (37 lb)



≥32 kg (70.5 lb)



≥55 kg (121.2 lb)

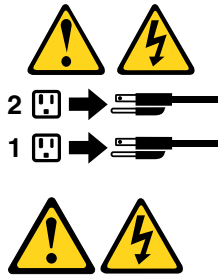
ATTENTION:

Soulevez la machine avec précaution.



ATTENTION:

L'interrupteur de contrôle d'alimentation de l'unité et l'interrupteur dubloc d'alimentation ne coupent pas le courant électrique alimentant l'unité. En outre, le système peut être équipé de plusieurs cordons d'alimentation. Pour mettre l'unité hors tension, vous devez déconnecter tous les cordons de la source d'alimentation.



VORSICHT

An Netz-, Telefon- und Datenleitungen können gefährliche Spannungen anliegen.

Aus Sicherheitsgründen:

- Bei Gewitter an diesem Gerät keine Kabel anschließen oder lösen. Ferner keine Installations-, Wartungs- oder Rekonfigurationsarbeiten durchführen.
- Gerät nur an eine Schutzkontaktsteckdose mit ordnungsgemäß geerdetem Schutzkontakt anschließen.
- Alle angeschlossenen Geräte ebenfalls an Schutzkontaktsteckdosen mit ordnungsgemäß geerdetem Schutzkontakt anschließen.
- Die Signalkabel nach Möglichkeit einhändig anschließen oder lösen, um einen Stromschlag durch Berühren von Oberflächen mit unterschiedlichem elektrischem Potenzial zu vermeiden.
- Geräte niemals einschalten, wenn Hinweise auf Feuer, Wasser oder Gebäudeschäden vorliegen.
- Die Verbindung zu den angeschlossenen Netzkabeln, Telekommunikationssystemen, Netzwerken und Modems ist vor dem Öffnen des Gehäuses zu unterbrechen, sofern in den Installations- und Konfigurationsprozeduren keine anders lautenden Anweisungen enthalten sind.
- Zum Installieren, Transportieren und Öffnen der Abdeckungen des Computers oder der angeschlossenen Einheiten die Kabel gemäß der folgenden Tabelle anschließen und abziehen.

Zum Anschließen der Kabel gehen Sie wie folgt vor	Zum Abziehen der Kabel gehen Sie wie folgt vor
<ol style="list-style-type: none"> 1. Schalten Sie alle Einheiten AUS. 2. Schließen Sie erst alle Kabel an die Einheiten an. 3. Schließen Sie die Signalkabel an die Buchsen an. 4. Schließen Sie die Netzkabel an die Steckdose an. 5. Schalten Sie die Einheit EIN. 	<ol style="list-style-type: none"> 1. Schalten Sie alle Einheiten AUS. 2. Ziehen Sie zuerst alle Netzkabel aus den Netzsteckdosen. 3. Ziehen Sie die Signalkabel aus den Buchsen. 4. Ziehen Sie alle Kabel von den Einheiten ab.



CAUTION:

Eine verbrauchte Lithiumbatterie nur durch eine Batterie mit der Teilenummer 45C1566 oder eine gleichwertige, vom Hersteller empfohlene Batterie ersetzen. Enthält das System ein Modul mit einer Lithiumbatterie, dieses nur durch ein Modul desselben Typs und von demselben Hersteller ersetzen. Die Batterie enthält Lithium und kann bei unsachgemäßer Verwendung, Handhabung oder Entsorgung explodieren.

Die Batterie nicht:

- mit Wasser in Berührung bringen.

- über 100 C erhitzen.
- reparieren oder zerlegen.

Die örtlichen Bestimmungen für die Entsorgung von Sondermüll beachten.



ACHTUNG:

Bei der Installation von Lasergeräten (wie CD-ROM-Laufwerken, DVD- aufwerken, Einheiten mit Lichtwellenleitertechnik oder Sendern) Folgendes beachten:

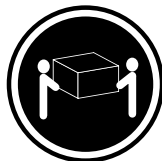
- Die Abdeckungen nicht entfernen. Durch Entfernen der Abdeckungen des Lasergeräts können gefährliche Laserstrahlungen freigesetzt werden. Das Gerät enthält keine zu wartenden Teile.
- Werden Steuerelemente, Einstellungen oder Durchführungen von Prozeduren anders als hier angegeben verwendet, kann gefährliche Laserstrahlung auftreten.



VORSICHT

Einige Lasergeräte enthalten eine Laserdiode der Klasse 3A oder 3B. Beachten Sie Folgendes:

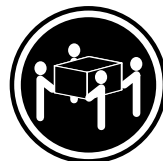
Laserstrahlung bei geöffneter Verkleidung. Nicht in den Strahl blicken. Keine Lupen oder Spiegel verwenden. Strahlungsbereich meiden.



≥18 kg



≥32 kg



≥55 kg

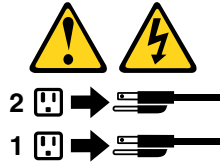
ACHTUNG:

Arbeitsschutzrichtlinien beim Anheben der Maschine beachten.



ACHTUNG:

Mit dem Netzschalter an der Einheit und am Netzteil wird die Stromversorgung für die Einheit nicht unterbrochen. Die Einheit kann auch mit mehreren Netzkabeln ausgestattet sein. Um die Stromversorgung für die Einheit vollständig zu unterbrechen, müssen alle zum Gerät führenden Netzkabel vom Netz getrennt werden.



סכנה

זרם חשמלי המועבר בכבלי חשמל, טלפון ותקשורת הוא מסוכן.

כדי להימנע מסכנת התחשמלות:

- אל תחברו או תנתקו כבלים, ואל תבצעו פעולת התקנה, תחזוקה או שינוי תצורה במוצר זה במהלך סופת ברקים.
- חברו את כל כבלי החשמל לשקע חשמל מחווט ומוארק כהלכה.
- חברו כל ציוד שיחובר למוצר זה לשקעי חשמל מחוטים כהלכה.
- במידת האפשר, השתמשו ביד אחת בלבד לחיבור או לניתוק של כבלי אותות.
- לעולם אל תפעילו ציוד כלשהו כאשר יש עדות לנזק מבני או לנזק כתוצאה מאש או ממים.
- נתקו את כבלי החשמל, מערכות התקשורת, התקני הרשת והמודמים המחוברים לפני פתיחת כיסויי ההתקן, אלא אם הליכי ההתקנה וקביעת התצורה מורים אחרת.
- בעת התקנה, העברה או פתיחת כיסויים במוצר זה או בהתקנים המחוברים, חברו ונתקו את הכבלים כמתואר בטבלה שלהלן.

כדי לחבר	כדי לנתק
1. כבו הכל.	1. כבו הכל.
2. ראשית, חברו את כל הכבלים להתקנים.	2. ראשית, נתקו את כבלי החשמל מהשקעים.
3. חברו את כבלי האותות למחברים.	3. נתקו את כבלי האותות מהמחברים.
4. חברו את כבלי החשמל לשקעים.	4. הסירו את כל הכבלים מההתקנים.
5. הפעילו את ההתקן.	



זהירות:

בעת החלפת סוללת הליתיום, השתמשו רק בסוללה בעלת מק"ט 45C1566 או בסוג תואם שהומלץ על ידי היצרן. אם המערכת כוללת מודול המכיל סוללת ליתיום, החליפו אותה רק במודול מאותו סוג ומתוצרת אותו יצרן. הסוללה מכילה ליתיום, ועלולה להתפוצץ אם לא משתמשים ומטפלים בה או משליכים אותה כיארות.

לעולם:

- אל תטבלו במים
 - אל תחממו לטמפרטורה הגבוהה מ-100°C (212°F)
 - אל תתקנו או תפרקו
- השליכו את הסוללה כנדרש לפי התקנות והחוקים המקומיים.



זהירות:

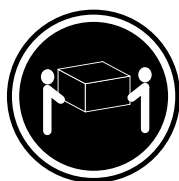
בעת התקנת מוצרי ליזר (כגון כונני תקליטורים ו-DVD, התקני סיב אופטי או משדרים), שימו לב לאזהרות הבאות:

- אל תסירו את הכיסויים. הסרת הכיסויים של מוצר הלייזר עלולה לגרום לחשיפה לקרינת לייזר מסוכנת. אין חלקים ברי טיפול בתוך ההתקן.
- שינויים, שימוש בבקרות או ביצוע הליכים אחרים מאלה המתוארים כאן, עלולים לגרום לחשיפה לקרינה מסוכנת.



סכנה

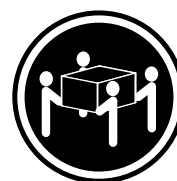
מוצרי לייזר מסוימים מכילים דיודת לייזר מסוג Class 3A או Class 3B. שימו לב לאזהרה הבאה:
כאשר הוא פתוח, המוצר פולט קרינת לייזר. אל תביטו ישירות בקרן, אל תביטו ישירות בעזרת ציוד אופטי, והימנעו מחשיפה לקרן.



18 ≤ ק"ג (37 ליב')



32 ≤ ק"ג (70.5 ליב')



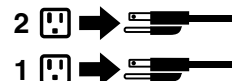
55 ≤ ק"ג (121.2 ליב')

זהירות:
השתמשו בהליכים הנאותים בעת הרמת הציוד.



זהירות:

לחצן ההפעלה של ההתקן ומתג ההפעלה של ספק החשמל אינם מפסיקים את זרם החשמל המסופק להתקן. בנוסף, ההתקן עשוי לכלול יותר מכבל חשמל אחד. כדי לסלק את כל הזרם החשמלי מההתקן, ודאו שכל כבלי החשמל מנותקים ממקור החשמל.





PERICOLO

La corrente elettrica proveniente dai cavi di alimentazione, del telefono e di comunicazione può essere pericolosa.

Per evitare il rischio di scosse elettriche:

- **Non collegare o scollegare qualsiasi cavo oppure effettuare l'installazione, la manutenzione o la riconfigurazione del prodotto durante un temporale.**
- **Collegare tutti i fili elettrici a una presa di alimentazione correttamente cablata e dotata di messa a terra.**
- **Collegare alle prese elettriche appropriate tutte le apparecchiature che verranno utilizzate per questo prodotto.**
- **Se possibile, utilizzare solo una mano per collegare o scollegare i cavi di segnale.**
- **Non accendere assolutamente apparecchiature in presenza di incendi, perdite d'acqua o danno strutturale.**
- **Scollegare i cavi di alimentazione, i sistemi di telecomunicazione, le reti e il modem prima di aprire i coperchi del dispositivo, salvo istruzioni contrarie relative alle procedure di installazione e configurazione.**
- **Collegare e scollegare i cavi come descritto nella seguente tabella quando vengono effettuate operazioni di installazione, spostamento o apertura dei coperchi di questo prodotto o delle unità collegate.**

Per collegarsi	Per scollegarsi
<ol style="list-style-type: none">1. SPEGNERE le apparecchiature.2. Innanzitutto, collegare tutti i cavi alle unità.3. Collegare i cavi di segnale ai connettori.4. Collegare i cavi di alimentazione alla presa.5. Accendere l'unità.	<ol style="list-style-type: none">1. SPEGNERE le apparecchiature.2. Innanzitutto, rimuovere i cavi di alimentazione dalla presa.3. Rimuovere i cavi di segnale dai connettori.4. Rimuovere tutti i cavi dalle unità.



ATTENZIONE:

Quando si sostituisce la batteria al litio, utilizzare solo il Numero parte 45C1566 o un tipo di batteria equivalente consigliato dal produttore. Se sul sistema è presente un modulo che contiene una batteria al litio, sostituirlo solo con un tipo di modulo dello stesso tipo della stessa casa di produzione. La batteria contiene litio e può esplodere se usata, maneggiata o smaltita in modo non corretto.

Non:

- **Gettare o immergere la batteria nell'acqua**
- **Riscaldarla ad una temperatura superiore ai 100 gradi C (212 gradi F)**
- **Smontarla, ricaricarla o tentare di ripararla**

Le batterie usate vanno smaltite in accordo alla normativa in vigore (DPR 915/82 e successive disposizioni e disposizioni locali).



ATTENZIONE:

Quando vengono installati prodotti laser (quali CD-ROM, unità DVD-ROM, unità a fibre ottiche o trasmettenti), tener presente quanto segue:

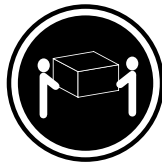
- Non rimuovere gli sportelli. L'apertura di un'unità laser può determinare l'esposizione a radiazioni laser pericolose. All'interno dell'unità non vi sono parti su cui effettuare l'assistenza tecnica.
- L'utilizzo di controlli, regolazioni o l'esecuzione di procedure non descritti nel presente manuale possono provocare l'esposizione a radiazioni pericolose.



PERICOLO

Alcune unità laser contengono un diodo laser di Classe 3A o Classe 3B. Tener presente quanto segue:

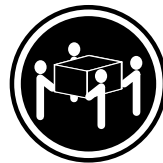
Aperto l'unità vengono emesse radiazioni laser. Non fissare il fascio, non guardarlo direttamente con strumenti ottici ed evitare l'esposizione al fascio.



≥18 kg



≥32 kg



≥55 kg

ATTENZIONE:

Prestare attenzione nel sollevare l'apparecchiatura.



ATTENZIONE:

Il pulsante di controllo dell'alimentazione presente sull'unità e l'interruttore dell'alimentatore non disattivano l'alimentazione corrente fornita all'unità. E' possibile che l'unità disponga di più cavi di alimentazione. Per disattivare l'alimentazione dall'unità, accertarsi che tutti i cavi di alimentazione siano scollegati dalla fonte di alimentazione.





위험

전원, 전화, 통신 케이블의 전류는 위험합니다.

감전의 위험을 피하려면 다음과 같이 하십시오.

- 번개가 치는 날에는 케이블을 연결 또는 분리하거나 본 제품을 설치, 보수, 재구성하지 마십시오.
- 모든 전원 코드는 올바르게 접지된 전기 콘센트에 연결하십시오.
- 본 제품에 연결될 장치는 올바르게 배선된 콘센트에 연결하십시오.
- 신호 케이블을 연결 또는 분리할 때 가능하면 한 손만을 사용하십시오.
- 불 또는 물로 인한 손상이나 구조적인 손상이 있을 경우 장치의 전원을 절대 켜지 마십시오.
- 설치 및 구성 과정에 별도의 지시 사항이 없는 경우, 장치의 덮개를 열기 전에 연결된 전원 코드, 원격 통신 시스템, 네트워크, 모뎀을 분리하십시오.
- 본 제품이나 연결된 장치를 설치, 이동하거나 덮개를 열 때 다음 표와 같은 순서로 케이블을 연결하거나 분리하십시오.

연결할 때:	분리할 때:
<ol style="list-style-type: none"> 1. 모든 장치의 전원을 끄십시오. 2. 먼저 모든 케이블을 장치에 연결하십시오. 3. 커넥터에 신호 케이블을 연결하십시오. 4. 콘센트에 전원 코드를 연결하십시오. 5. 장치의 전원을 켜십시오. 	<ol style="list-style-type: none"> 1. 모든 장치의 전원을 끄십시오. 2. 먼저 콘센트에서 전원 코드를 분리하십시오. 3. 커넥터에서 신호 케이블을 분리하십시오. 4. 장치에서 모든 케이블을 분리하십시오.



주의:

배터리를 교환할 때는 Part Number 45C1566 또는 제조업체에서 지정한 동일한 종류의 제품을 사용하십시오. 사용자의 시스템이 리튬 배터리를 포함하는 모듈일 경우, 동일한 제조업체에서 동일한 모듈 유형으로 생산된 제품으로 교체하십시오. 배터리에는 리튬이 함유되어 있어 잘못 사용, 취급 또는 폐기할 경우 폭발의 위험이 있습니다.

사고를 방지하려면 다음 사항을 준수하십시오.

- 배터리를 물 속에 던지거나 침수시키지 마십시오.
- 100°C (212°F) 이상 가열하지 마십시오.
- 수리하거나 분해하지 마십시오.

배터리를 폐기할 때는 법령 또는 회사의 안전 수칙에 따라 폐기하십시오.



주의:

CD-ROM, DVD-ROM 장치, 광섬유 장치 또는 송신 장치와 같은 레이저 제품을 설치할 때, 다음과 같은 취급 주의사항을 참고하십시오.

- 덮개를 열지 마십시오. 덮개를 열면 레이저 복사 에너지에 노출될 위험이 있습니다. 장치 내부에는 사용자가 조정하거나 수리할 수 있는 부품이 없습니다.
- 규정된 것 이외의 절차 수행, 제어 조정 등의 행위로 인해 해로운 레이저 복사에 노출될 수 있습니다.



위험

일부 장비에는 임베디드 클래스 3A 또는 클래스 3B 레이저 다이오드가 있습니다. 다음 주의사항에 유의하십시오.

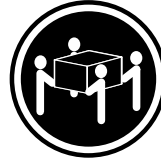
드라이브가 열리면 레이저 복사 에너지가 방출됩니다. 광선이 눈에 직접 쏘이지 않도록 하십시오. 나안 또는 광학 기구를 착용한 상태에서 광선을 직접 바라보지 않도록 하십시오.



≥ 18 kg (37 lbs)



≥ 32 kg (70.5 lbs)

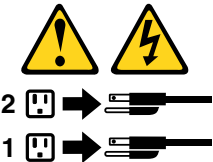


≥ 55 kg (121.2 lbs)

주의:
제품을 들어 올릴 때
안전 규제를 따르십시오.



주의:
장치의 전원 제어 버튼 및 전원 공급 장치의 전원 스위치를 사용하여 장치에 공급되는 전기를 차단하지 마십시오.
장치는 둘 이상의 코드를 가지고 있을 수 있습니다. 장치에서 모든 전원을 차단하려면 콘센트에서 코드가 모두 분리되어 있는지 확인하십시오.



PELIGRO

La corriente eléctrica procedente de cables de alimentación, teléfonos y cables de comunicación puede ser peligrosa.

Para evitar el riesgo de descarga eléctrica:

- No conecte ni desconecte los cables ni realice ninguna tarea de instalación, mantenimiento o reconfiguración de este producto durante una tormenta eléctrica.
- Conecte todos los cables de alimentación a tomas de corriente debidamente cableadas y conectadas a tierra.
- Cualquier equipo que se conecte a este producto también debe conectarse a tomas de corriente debidamente cableadas.
- Siempre que sea posible, utilice una sola mano para conectar o desconectar los cables de señal.

- No encienda nunca un equipo cuando hay señales de fuego, agua o daños estructurales.
- Desconecte los cables de alimentación, los sistemas de telecomunicaciones, las redes y los módems conectados antes de abrir las cubiertas de los dispositivos, a menos que se indique lo contrario en los procedimientos de instalación y configuración.
- Conecte y desconecte los cables, como se describe en la tabla siguiente, cuando instale, mueva o abra las cubiertas de este producto o de los dispositivos conectados.

Para conectar	Para desconectar
<ol style="list-style-type: none"> 1. APÁGUELO todo. 2. En primer lugar, conecte todos los cables a los dispositivos. 3. Conecte los cables de señal a los conectores. 4. Enchufe los cables de alimentación a las tomas de corriente. 5. Encienda el dispositivo. 	<ol style="list-style-type: none"> 1. APÁGUELO todo. 2. En primer lugar, desenchufe los cables de alimentación de las tomas de corriente. 3. Desconecte los cables de señal de los conectores. 4. Desconecte todos los cables de los dispositivos.



PRECAUCIÓN:

Quando sustituya una batería de litio, utilice solamente una batería número de pieza 45C1566 u otra de tipo equivalente recomendada por el fabricante. Si su sistema dispone de un módulo que contiene una batería de litio, reemplácelo sólo con el mismo tipo de módulo, del mismo fabricante. La batería contiene litio y puede explotar si no se utiliza, manipula o desecha correctamente.

No debe:

- Arrojarla al agua o sumergirla en ella
- Exponerla a temperaturas superiores a 100°C (212°F)
- Repararla o desmontarla

Deshágase de la batería según especifiquen las leyes o normas locales.



PRECAUCIÓN:

Quando haya productos láser (como unidades de CD-ROM, unidades de DVD, dispositivos de fibra óptica o transmisores) instalados, tenga en cuenta lo siguiente:

- No quite las cubiertas. Si quita las cubiertas del producto láser, podría quedar expuesto a radiación láser peligrosa. Dentro del dispositivo no existe ninguna pieza que requiera servicio técnico.
- Si usa controles o ajustes o realiza procedimientos que no sean los especificados aquí, podría exponerse a radiaciones peligrosas.



PELIGRO

Algunos productos láser tienen incorporado un diodo láser de clase 3A o clase 3B. Tenga en cuenta lo siguiente:

Cuando se abre, queda expuesto a radiación láser. No mire directamente al rayo láser, ni siquiera con instrumentos ópticos, y evite exponerse directamente al rayo láser.



≥18 kg



≥32 kg



≥55 kg

PRECAUCIÓN:

Adopte procedimientos seguros al levantar el equipo.



PRECAUCIÓN:

El botón de control de alimentación del dispositivo y el interruptor de alimentación de la fuente de alimentación no desconectan la corriente eléctrica suministrada al dispositivo. Además, el dispositivo podría tener más de un cable de alimentación. Para suprimir toda la corriente eléctrica del dispositivo, asegúrese de que todos los cables de alimentación estén desconectados de la toma de corriente.



Chapter 2. Product overview

This chapter provides information about the following topics:

- “Hardware locations” on page 27
- “Computer features” on page 39
- “Computer specifications” on page 43
- “Programs” on page 43

Hardware locations

This section provides information about the locations of your computer hardware.

Note: The computer hardware might look slightly different from the illustrations.

Front view

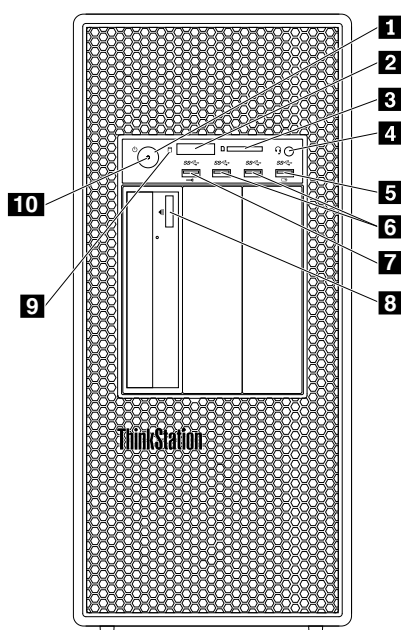


Figure 1. Front connectors, controls, and indicators

1 Power button	2 Four-digit diagnostic display
3 SD card slot	4 Headset connector
5 Always On USB 3.0 connector	6 USB 3.0 connectors (2)
7 Diagnostic USB 3.0 connector	8 Optical-drive eject/close button (some models)
9 Storage drive activity indicator	10 Power indicator

Note: The orientation of the ThinkStation® logo plate on the front of your computer is adjustable. When you lay the computer on its side, you can slightly pull out the logo plate, turn it 90-degree counterclockwise, and then push it back in.

1 Power button

Press the power button to turn on your computer. If your computer is unresponsive, you can turn off the computer by pressing and holding the power button for four or more seconds.

2 Four-digit diagnostic display

The four-digit diagnostic display on the front of the computer displays text and a numerical error code when the computer detects an issue or error.

3 SD card slot

Insert a secure digital (SD) card into the slot so that the data on the card can be accessed and read.

4 Headset connector

Connect the headset to your computer through the headset connector.

5 Always On USB 3.0 connector

Connect a USB-compatible device, such as a USB keyboard, mouse, storage drive, or printer, to this connector. With the power cord connected, you can charge the connected USB device even when the computer is in hibernation mode or turned off. If the Always On USB connector function is not enabled, open the Power Manager program and enable the function. To open the Power Manager program, see “Accessing a program on your computer” on page 43. To enable the Always On USB connector, refer to the help system of the Power Manager program.

6 USB 3.0 connector

Connect a USB-compatible device, such as a USB keyboard, mouse, storage drive, or printer, to this connector.

7 Diagnostic USB 3.0 connector

When a system error is detected, the diagnostic indicator blinks. In this case, if you connect an FAT32 format USB flash drive to the connector, the error-related log can be automatically downloaded from the diagnostic USB 3.0 connector to the USB flash drive.

8 Optical-drive eject/close button

Press the button to eject or close the tray of the optical drive.

9 Storage drive activity indicator

This indicator shows the status of the internal storage drives (such as hard disk drives or solid-state drives).

On: The storage drives are active and data is being transferred.

Off (when the computer is powered on): No data is being transferred or the storage drives are not in use.

10 Power indicator

When the power indicator is on, the computer is turned on.

Rear view

Some connectors on the rear of your computer are color-coded to help you determine where to connect the cables on your computer.

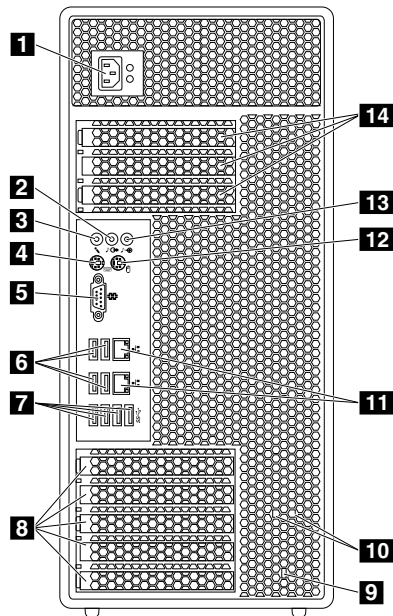


Figure 2. Rear connectors

1 Power cord connector	2 Audio line-out connector
3 Microphone connector	4 PS/2 keyboard connector
5 Serial connector	6 USB 2.0 connectors (4)
7 USB 3.0 connectors (4)	8 PCI card area (PCI cards available vary by computer model)
9 Security-lock slot	10 Key-nest slots
11 Ethernet connectors (2)	12 PS/2 mouse connector
13 Audio line-in connector	14 PCI card area (PCI cards available vary by computer model)

Notes:

- A discrete graphics card or a network interface card can be installed in the appropriate Peripheral Component Interconnect (PCI) or PCI Express card slot. If such a card is installed, ensure that you use the connectors on the card instead of the corresponding connectors on the computer.
- Depending on your computer model, one or more graphics cards might be installed to provide the following connectors:
 - DisplayPort® connector
 - Digital Visual Interface (DVI) connector
 - Mini DisplayPort® connector

DisplayPort connector

Attach a high-performance monitor, a direct-drive monitor, or other compatible devices to the DisplayPort connector.

DVI monitor connector

Attach a DVI monitor or other compatible devices to the DVI monitor connector.

Mini DisplayPort connector

Attach a high-performance monitor, a direct-drive monitor, or other compatible devices to the Mini DisplayPort connector. The Mini DisplayPort connector is a miniaturized version of a DisplayPort connector.

1 Power cord connector

Connect the power cord to your computer for power supply.

2 Audio line-out connector

The audio line-out connector is used to send audio signals from the computer to external devices, such as headphones.

3 Microphone connector

Attach a microphone to your computer through the microphone connector when you want to record sound or if you use speech-recognition software.

4 PS/2 keyboard connector

Attach a Personal System/2 (PS/2) keyboard to the PS/2 keyboard connector.

5 Serial connector

Connect an external modem, a serial printer, or other devices that use a 9-pin serial connector to the serial connector.

6 USB 2.0 connectors (4)

Connect a USB-compatible device, such as a USB keyboard, mouse, storage drive, or printer, to this connector.

7 USB 3.0 connectors (4)

Connect a USB-compatible device, such as a USB keyboard, mouse, storage drive, or printer, to this connector.

8 14 PCI card area (PCI cards available vary by model)

To improve the operating performance of your computer, you can install PCI/PCI-Express cards into this area. Depending on your computer model, the cards already installed in this area might vary.

9 Security-lock slot

Attach a Kensington-style cable lock to the security-lock slot to secure your computer. For more information, see “Attaching a Kensington-style cable lock” on page 61.

10 Key-nest slots

Install the key holder that comes with the computer cover lock key to the key-nest slots.

11 Ethernet connectors (2)

Attach an Ethernet cable for a local area network (LAN).

Note: To operate the computer within Federal Communications Commission (FCC) Class B limits, use a Category 5 Ethernet cable.

12 PS/2 mouse connector

Attach a PS/2 mouse, a trackball, or other pointing devices that use a PS/2 mouse connector.

13 Audio line-in connector

The audio line-in connector is used to receive audio signals from an external audio device, such as a stereo system. When you attach an external audio device, a cable connection is established between the audio line-out connector of the device and the audio line-in connector of the computer.

Computer components

Notes:

- Depending on the model, your computer might look slightly different from the illustration.
- To remove the computer cover, see “Preparing your computer and removing the computer cover” on page 101.

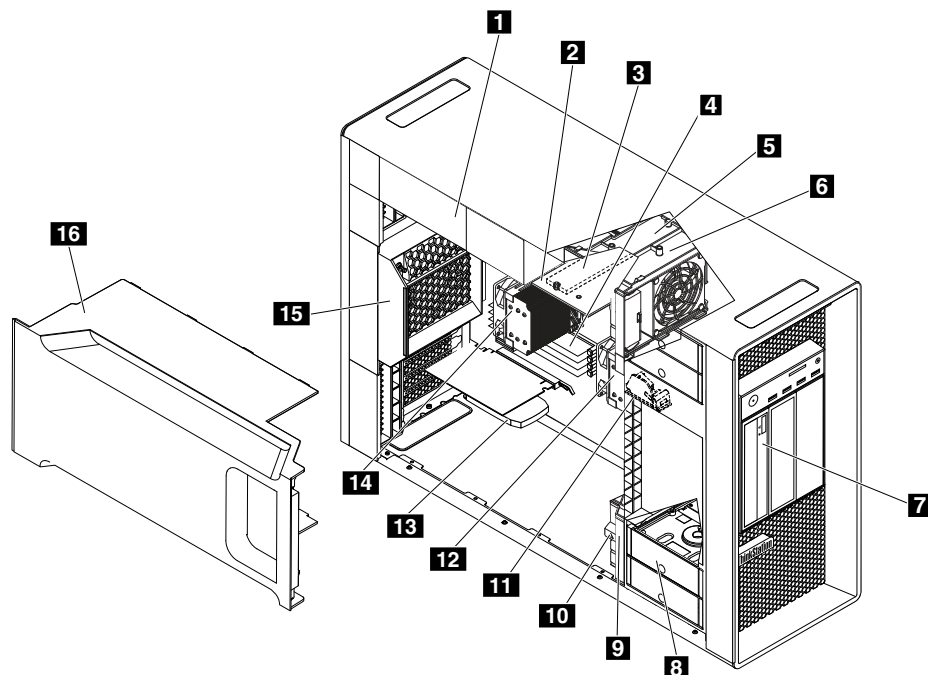


Figure 3. Component locations

1 Power supply assembly	2 Flex adapter (some models)
3 M.2 solid-state drive (some models)	4 Memory modules (amount varies by model)
5 Multi-function bracket	6 Front fan assembly
7 Optical drive, flex module or flex bay storage enclosure (amount and combination vary by model)	8 Hard disk drive, hybrid drive, or solid-state drive (amount and combination vary by model)
9 Front fan assembly	10 Multi-function bracket
11 Cover presence switch (intrusion switch)	12 Heat sink and fan assembly 1
13 PCI card (vary by computer model)	14 Heat sink and fan assembly 2 (some models)
15 Rear fan assembly	16 Direct cooling air baffle

Major FRUs and CRUs

The following illustration shows the locations of the major FRUs and Customer Replaceable Units (CRUs) in the computer. To remove the computer cover, see “Preparing your computer and removing the computer cover” on page 101.

Note: Depending on the model, some of the following components might not be available.

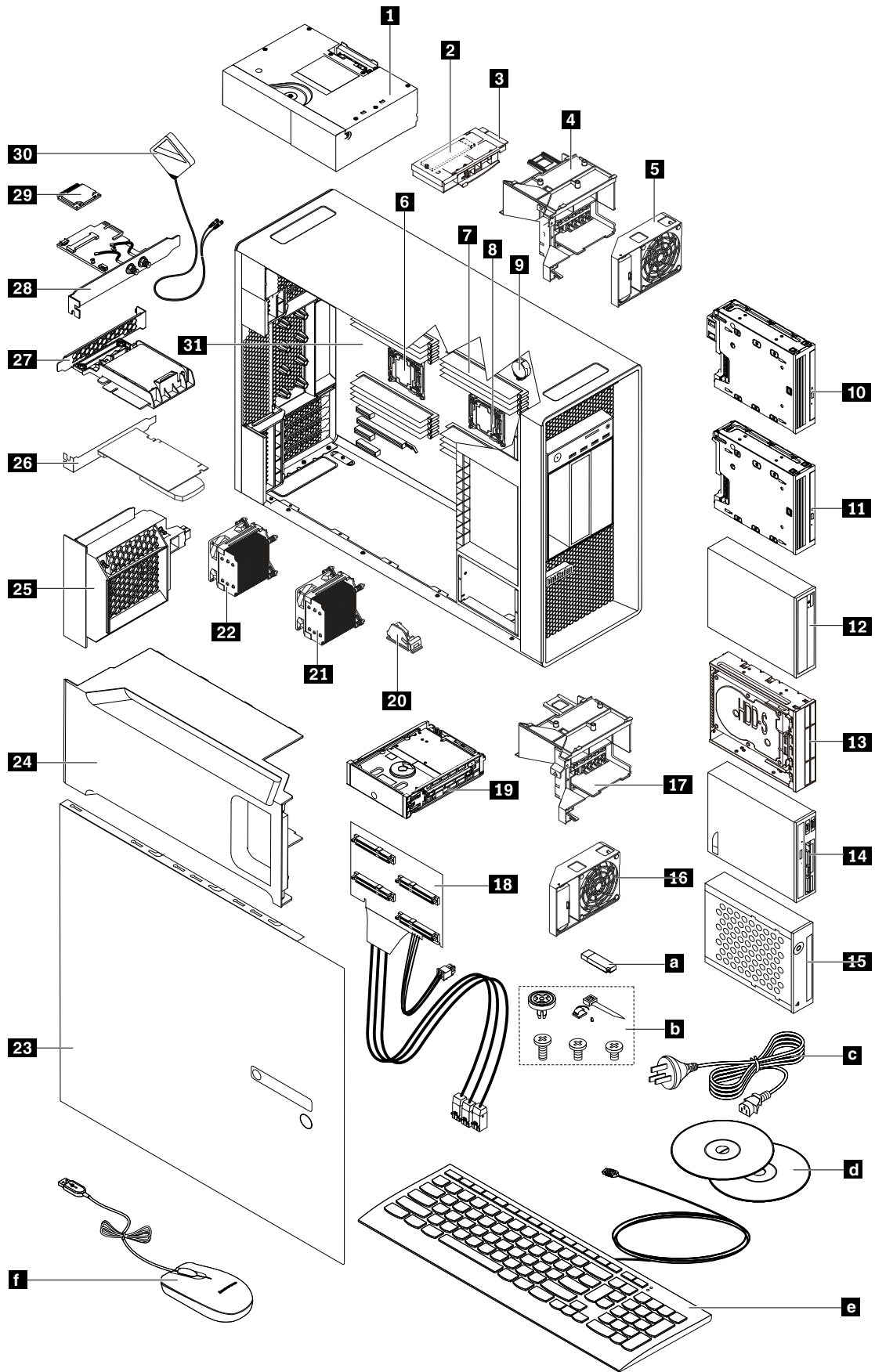


Figure 4. Major FRUs and CRUs

The following table lists the major FRUs shown in Figure 4 “Major FRUs and CRUs” on page 33 and identifies which FRUs are also self-service CRUs or optional-service CRUs.

Notes:

- Self-service CRUs: Parts to be installed or replaced by customer themselves.
- Optional-service CRUs: Parts can be installed or replaced by customers or technicians under certain terms of the applicable warranty service type for your country or region.
- Non-CRUs: Parts must be installed or replaced only by trained service technicians.

Number	FRU description	Self-service CRU	Optional-service CRU
1	Power supply assembly	Yes	No
2	M.2 solid-state drive (some models)	Yes	No
3	Flex adapter (some models)	No	Yes
4	Multi-function bracket 1	Yes	No
5	Front fan assembly 1	Yes	No
6	Microprocessor 2	No	No
7	Memory modules (amount varies by model)	Yes	No
8	Microprocessor 1	No	No
9	Battery	Yes	No
10	Multi-drive conversion kit (some models)	Yes	No
11	Slim-optical-drive adapter (some models)	Yes	No
12	Optical drive	Yes	No
13	Flex bay storage enclosure	Yes	No
14	Flex module	Yes	No
15	Front access storage enclosure	No	Yes
16	Front fan assembly 2	Yes	No
17	Multi-function bracket 2	Yes	No
18	Blind-connect assembly	No	No
19	Hard disk drive, hybrid drive, or solid-state drive (amount and combination vary by model)	Yes	No
20	Cover presence switch (intrusion switch)	Yes	No
21	Heat sink and fan assembly 1 (some models)	No	Yes
22	Heat sink and fan assembly 2	No	Yes
23	Computer cover	Yes	No
24	Direct cooling air baffle	Yes	No
25	Rear fan assembly	Yes	No
26	PCI card (vary by computer model)	Yes	No
27	Super capacitor module (some models)	No	Yes
28	Wi-Fi adapter card	Yes	No
29	Wi-Fi card module	No	Yes
30	Wi-Fi antenna	Yes	No

Number	FRU description	Self-service CRU	Optional-service CRU
31	System board	No	No
a	Lenovo factory recovery USB key	No	No
b	Miscellaneous parts kits	No	No
c	Power cord	Yes	No
d	Lenovo recovery disc set	No	No
e	Keyboard	Yes	No
f	Mouse	Yes	No

For detailed FRU information, such as the FRU part numbers and supported computer models, go to: <http://www.lenovo.com/serviceparts-lookup>

Parts on the system board

The following illustration shows the locations of the parts on the system board.

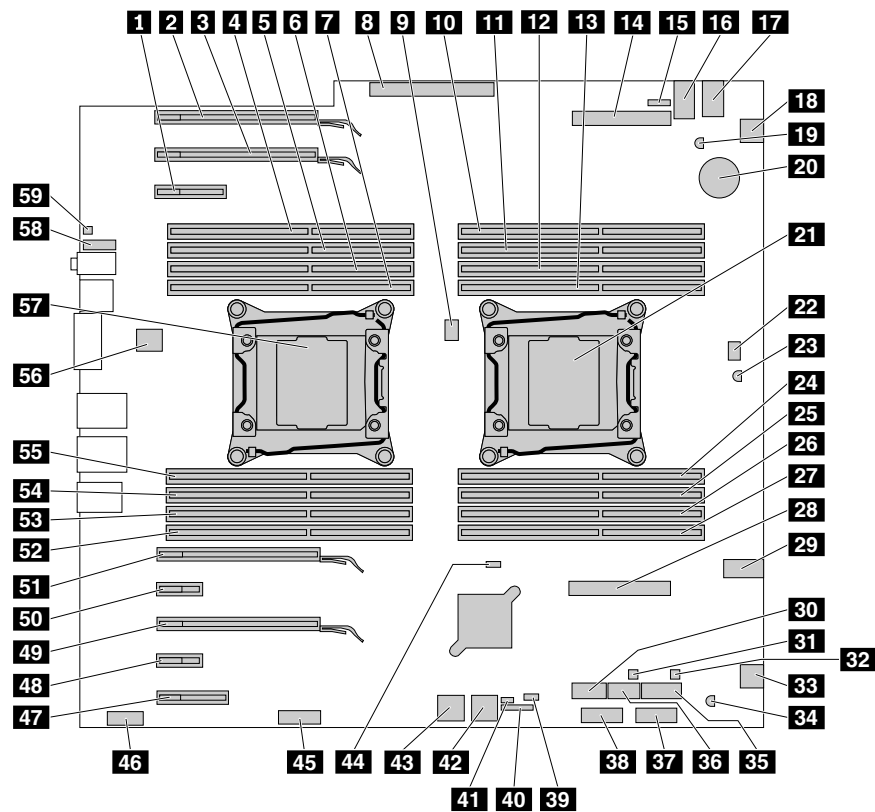


Figure 5. Parts on the system board

1 PCI Express 2.0 x4 card slot	2 PCI Express 3.0 x16 graphics card slot
3 PCI Express 3.0 x16 graphics card slot	4 Memory slot
5 Memory slot	6 Memory slot
7 Memory slot	8 Power supply connector
9 Microprocessor fan connector 2	10 Memory slot

11 Memory slot	12 Memory slot
13 Memory slot	14 Flex adapter slot 2
15 Optical-drive fan connector	16 4-pin power connector
17 4-pin power connector	18 Front fan assembly connector
19 Thermal sensor	20 Battery
21 Microprocessor 1	22 Microprocessor fan connector 1
23 Thermal sensor	24 Memory slot
25 Memory slot	26 Memory slot
27 Memory slot	28 Flex adapter slot 1
29 4-pin power connector	30 eSATA connector
31 Front-access storage enclosure control connector (for SATA 5 connector)	32 Front-access storage enclosure control connector (for SATA 6 connector)
33 Front fan assembly connector	34 Thermal sensor
35 SATA 6 connector	36 SATA 5 connector
37 29-in-1 card reader connector	38 Front USB 3.0 connector
39 Cover presence switch connector (intrusion switch connector)	40 Thunderbolt™ adapter control connector
41 Internal-storage-drive activity indicator connector (used only with a 9364 RAID card)	42 SATA 1/SATA 2 connector
43 SATA 3/SATA 4 connector	44 Clear CMOS /Recovery jumper
45 Front panel connector	46 Four-digit diagnostic display
47 PCI Express 2.0 x4 card slot	48 PCI Express 2.0 x1 card slot
49 PCI Express 3.0 x16 graphics card slot	50 PCI Express 2.0 x1 card slot
51 PCI Express 3.0 x16 graphics card slot	52 Memory slot
53 Memory slot	54 Memory slot
55 Memory slot	56 Rear fan assembly connector
57 Microprocessor 2 (some models)	58 Front audio connector
59 Internal speaker connector	

Internal drives

Internal drives are devices that your computer uses to read and store data. You can add drives to your computer to increase storage capacity and enable your computer to read other types of media. Internal drives are installed in bays.

When you install or replace an internal drive, note the type and size of the drive that each bay supports and correctly connect the required cables. Refer to the appropriate section in Chapter 9 “Installing or replacing hardware” on page 101 for instructions on how to install or replace internal drives for your computer.

The following illustration shows the locations of the drive bays.

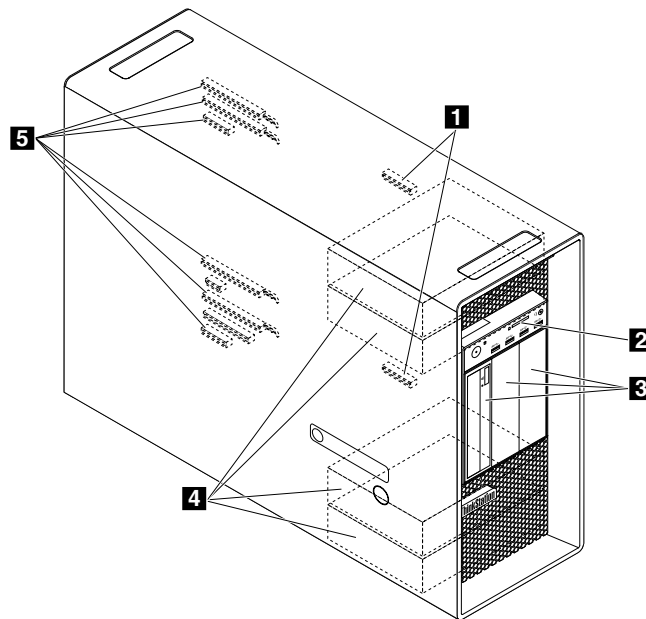


Figure 6. Drive bay locations

1 Flex adapter slots	2 SD card slot
3 Optical-drive bays	4 Storage drive bays
5 PCI Express card slots	

1 Flex adapter slots

Depending on your computer model, the following flex adapters might be installed in the flex adapter slots:

- Flex adapter with two mini Serial Attached SCSI (SAS) high-density (HD) connectors
- Flex adapter with one Serial Advanced Technology Attachment (SATA) 3.0 connector, one USB 2.0 connector, and two mini-SAS HD connectors
- Flex adapter with two M.2 slots (with the M.2 solid-state drive installed in some models)

2 SD card slot (with an SD card installed in some models)

3 Optical-drive bays

Depending on your computer model, the following devices might be installed in the optical-drive bays:

- Optical drive
- Flex module

Note: The flex module might be installed with the following:

- IEEE 1394 connector
- eSATA connector
- 29-in-1 card reader
- Slim optical drive
- Front Thunderbolt adapter kit
- Flex bay storage enclosure
- Front-access storage enclosure
- Multi-drive conversion kit
- Slim-optical-drive adapter

4 Storage drive bays (with hard disk drives, solid-state drives, or hybrid drives installed in some bays)

5 PCI Express x16 graphics card slots and PCI Express x4 card slots (with PCI Express solid-state drives or other PCI cards installed in some models)

Machine type and model label

The machine type and model label identifies your computer. When you contact Lenovo for help, the machine type and model information helps support technicians to identify your computer and provide faster service.

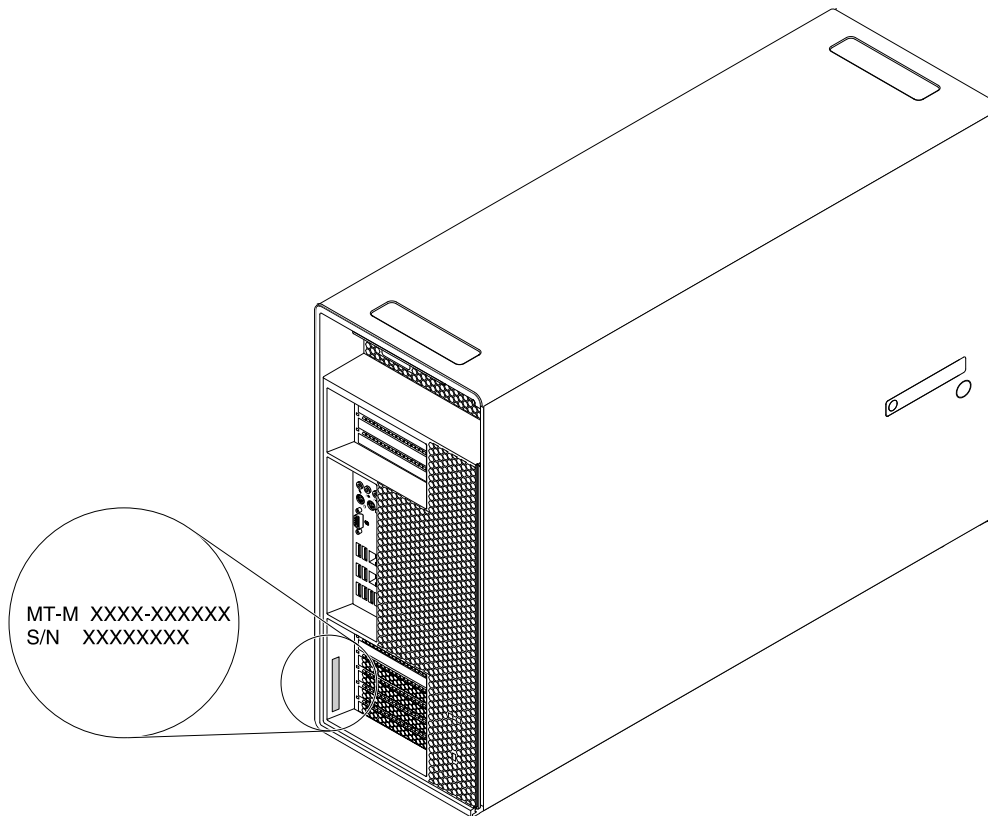


Figure 7. Machine type and model label

Computer features

For your specific computer model, some features might vary or not apply.

Information about your computer

- To view basic information (such as microprocessor and memory information) about your computer, do the following:
 1. Click the Start button to open the Start menu.
 2. Depending on your Microsoft® Windows® operating system version, do one of the following:
 - For Windows 7: Right-click **Computer**, and then click **Properties**.
 - For Windows 10: Click **Settings** → **System** → **About**.
- To view detailed information about the devices (such as the optical drive and network adapters) on your computer, do the following:
 1. Depending on your Windows version, do one of the following:

- For Windows 7: Click the Start button to open the Start menu. Right-click **Computer**, and then click **Properties**.
 - For Windows 10: Right-click the Start button to open the Start context menu.
2. Click **Device Manager**.
 3. Locate and double-click your device in **Device Manager** to view device properties. Type the administrator password or provide confirmation if prompted.

Memory

Your computer supports up to 16 double data rate 4 (DDR4) error correction code (ECC) registered DIMMs (RDIMMs) or DDR4 ECC load reduced DIMMs (LRDIMMs).

For more information, see “Memory module” on page 188.

Internal drives

Your computer supports the following storage drives:

- SD card
- Hard disk drive
- Hybrid drive (available on some models)
- Optical drive (available on some models)
- Solid-state drive (available on some models)

To view the amount of storage drive space, do the following:

1. Depending on your Windows version, do one of the following:
 - For Windows 7: Click the Start button to open the Start menu. Right-click **Computer**, and then click **Manage**.
 - For Windows 10: Right-click the Start button to open the Start context menu.
2. Click **Disk Management** and follow the instructions on the screen.

Video features

Discrete graphics card installed in one of the PCI Express x16 graphics card slots (available on some models) (the connectors vary by graphics card)

Note: Your computer is installed with one or more graphics cards that vary by computer model. Depending on your computer model, the graphics cards might provide the following connectors:

- DisplayPort connector
- DVI connector
- Mini DisplayPort connector

Audio features

Integrated audio controller supports the following connectors and devices on your computer:

- Audio line-in connector
- Audio line-out connector
- Headset connector
- Internal speaker
- Microphone connectors

Input/Output (I/O) features

- 100/1000 Mbps Ethernet connector
- 9-pin serial connectors
- Audio connectors (audio line-in connector, audio line-out connector, headset connector, and microphone connector)
- Display connectors (DisplayPort connector, DVI connector, and Mini DisplayPort connector) (vary by graphics card)
- PS/2 keyboard connector
- PS/2 mouse connector
- USB connectors

For more information, see “Front view” on page 27 and “Rear view” on page 29.

Expansion

- Hard-disk-drive bays
- Flex adapter slots
- Optical-drive bays
- PCI Express x1 card slots
- PCI Express x4 card slots
- PCI Express x16 graphics card slots
- SD card slot

For more information, see “Internal drives” on page 37 and “Parts on the system board” on page 35.

Power supply

1300-watt automatic voltage-sensing power supply

Wireless features

Depending on your computer model, the following wireless features are supported:

- Wireless LAN
- Bluetooth

System management features

- Ability to store power-on self-test (POST) hardware test results
- Desktop Management Interface (DMI)

Desktop Management Interface provides a common path for users to access information about all aspects of a computer, including processor type, installation date, attached printers and other peripherals, power sources, and maintenance history.

- ErP LPS compliance mode

The energy-related products directive (ErP) lowest power state (LPS) compliance mode reduces the consumption of electricity when your computer is in sleep or off mode. For more information, see “Enabling or disabling the ErP LPS compliance mode” on page 66.

- Intel Standard Manageability (ISM)

Intel Standard Manageability is hardware and firmware technology that builds certain functionality into computers in order to make them easier and less expensive for businesses to monitor, maintain, update, upgrade, and repair.

- Intel Active Management Technology (AMT)

Intel Active Management Technology is hardware- and firmware-based technology that makes computers easier and less expensive for businesses to monitor, maintain, update, upgrade, and repair.

- Intel Rapid Storage Technology enterprise (RSTe)

The Intel RSTe configuration utility enables you to configure Redundant Array of Independent Disks (RAID) for computers with specific Intel chipset system boards. It supports RAID levels 0, 1, 5, and 10 on computers installed with Serial Advanced Technology Attachment (SATA) devices.

- Preboot Execution Environment (PXE)

The Preboot Execution Environment is an environment to start computers using a network interface independent of data storage drives (such as the hard disk drive) or installed operating systems.

- System Management (SM) Basic Input/Output System (BIOS) and SM software

The SM BIOS specification defines data structures and access methods in a BIOS that allows a user or application to store and retrieve information specific about the computer in question.

- Wake on LAN (WOL)

Wake on LAN is an Ethernet computer networking standard that allows a computer to be turned on or woken up by a network message. The message is usually sent by a program running on another computer on the same local area network.

- Windows Management Instrumentation (WMI)

Windows Management Instrumentation is a set of extensions to the Windows Driver Model. It provides an operating system interface through which instrumented components provide information and notification.

Security features

- Ability to enable and disable a device
- Ability to enable and disable USB connectors individually
- Antivirus program
- BIOS guard
- BIOS passwords and Windows accounts to deter unauthorized use of your computer
- Computrace Agent software embedded in firmware
- Cover presence switch (also called intrusion switch)
- Finger authentication (available on some models)
- Firewalls
- Startup sequence control
- Startup without keyboard or mouse
- Support for a Kensington-style cable lock
- Support for a keylock
- Trusted Platform Module (TPM)

For more information, see Chapter 5 “Security” on page 59.

Preinstalled operating system

Your computer is preinstalled with Windows 7 or Windows 10 operating system. Additional operating systems might be identified by Lenovo as compatible with your computer. To determine if an operating system has been certified or tested for compatibility, check the Web site of the operating system provider.

Computer specifications

This section lists the physical specifications for your computer.

Dimensions

Width: 200 mm (7.87 inches)

Height: 446 mm (17.56 inches)

Depth: 620 mm (24.41 inches)

Weight

Maximum configuration as shipped: 32.3 kg (71.3 lb)

Environment

- Air temperature:

Operating: From 10°C (50°F) to 35°C (95°F)

Storage in original shipping package: From -40°C (-40°F) to 60°C (140°F)

Storage without package: From -10°C (14°F) to 60°C (140°F)

- Humidity:

Operating: 10%–80% (non-condensing)

Storage: 10%–90% (non-condensing)

- Altitude:

Operating: From -15.2 m (-50 ft) to 3048 m (10 000 ft)

Storage: From -15.2 m (-50 ft) to 10 668 m (35 000 ft)

Electrical input

Input voltage: From 100 V ac to 240 V ac

Input frequency: 50/60 Hz

Programs

This section provides information about the programs on your computer.

Accessing a program on your computer

Note: For Windows 7, depending on your computer model, some of the Lenovo programs might be ready to be installed, so you must install them manually. Then, you can access and use these programs.

To access a program on your computer, do one of the following:

- From Windows Search:
 1. Depending on your Windows version, do one of the following:
 - For Windows 7: Click the Start button to open the Start menu, and then type the program name into the search box.
 - For Windows 10: Type the program name into the search box next to the Start button.
 2. In the search results, click the name of the desired program to launch the program.
- From the Start menu or Control Panel:
 1. Depending on your Windows version, do one of the following:

- For Windows 7: Click the Start button to open the Start menu. If the program name is not displayed, click **All Programs** to display the program list. Then, click the name of the desired program to launch the program.
 - For Windows 10: Click the Start button to open the Start menu. Then, click the name of the desired program to launch the program.
2. If the program name is not displayed on the Start menu, access the program from Control Panel.
 - a. Click the Start button to open the Start menu.
 - b. Depending on your Windows version, do one of the following:
 - For Windows 7: Click **Control Panel**.
 - For Windows 10: Click **Windows System → Control Panel**.
 - c. View Control Panel by Large icons or Small icons, and then click the name of the desired program to launch the program.

Installing a program that is ready to be installed (Windows 7 only)

On the Windows 7 operating system, to install a program that is ready to be installed, do the following:

1. Open the Lenovo ThinkVantage® Tools program. See “Accessing a program on your computer” on page 43.
2. Click **View → Tiles** to view the program icons.
3. Follow the instructions under grayed-out icons to locate the icon for the desired program. Then, double-click the icon to install the program.

An introduction to Lenovo programs

This section provides information about the major Lenovo programs available on your operating system.

Note: Depending on your computer model, some of the following programs might not be available.

Fingerprint Manager Pro or ThinkVantage Fingerprint Software (Windows 7)	The Fingerprint Manager Pro or ThinkVantage Fingerprint Software program enables you to use a fingerprint reader. The integrated fingerprint reader provided on some keyboards enables you to enroll your fingerprint and associate it with your power-on password, hard disk password, and Windows password. As a result, fingerprint authentication can replace passwords and enable simple and secure user access.
Lenovo Companion (Windows 10)	Your computer’s best features and capabilities should be easy to access and understand. With Lenovo Companion, they are. Use Lenovo Companion to do the following: <ul style="list-style-type: none"> • Optimize your computer’s performance, monitor your computer’s health, and manage updates. • Access your user guide, check warranty status, and view accessories customized for your computer. • Read how-to articles, explore Lenovo forums, and stay up-to-date on technology news with articles and blogs from trusted sources. <p>Lenovo Companion is filled with exclusive Lenovo content to help you learn more about what you can do with your computer.</p>

<p>Lenovo PC Experience</p> <p>(Windows 7)</p>	<p>This program helps you work easily and securely by providing easy access to various programs.</p> <p>Note: This program cannot be found from the all program list or search box. To access this program, go to Control Panel. View Control Panel by Category, click Hardware and Sound → Devices and Printers, and then double-click the device with your computer name.</p>
<p>Lenovo ID</p> <p>(Windows 10)</p>	<p>The Lenovo ID program enables you to create and manage your Lenovo ID. With a Lenovo ID, you can connect to everything Lenovo through a single account. Use your Lenovo ID for quick and simple authentication and then enjoy the various services provided by Lenovo. Such services include online shopping, app download, personalized device support, special promotional offers, Lenovo forums, and so on.</p>
<p>Lenovo PowerENGAGE</p> <p>(Windows 7)</p>	<p>The Lenovo PowerENGAGE program provides power management function.</p>
<p>Lenovo Solution Center</p> <p>(Windows 7 and Windows 10)</p>	<p>The Lenovo Solution Center program enables you to troubleshoot and resolve computer problems. It combines diagnostic tests, system information collection, security status, and support information, along with hints and tips for maximum system performance.</p>
<p>Lenovo ThinkVantage Tools</p> <p>(Windows 7)</p>	<p>The Lenovo ThinkVantage Tools program provides easy access to various tools to help your work more easily and securely.</p>
<p>Recovery Media</p> <p>(Windows 7)</p>	<p>The Recovery Media program enables you to restore the contents of the hard disk drive to the factory-default settings.</p>
<p>System Update</p> <p>(Windows 7)</p>	<p>The System Update program provides regular access to the system updates for your computer, such as device driver updates, software updates, and BIOS updates. The program gathers information from the Lenovo Help Center about new updates for your computer, and then sorts and displays the updates for download and installation. You have complete control of which updates to download and install.</p>
<p>ThinkStation Diagnostics</p> <p>(Windows 7 and Windows 10)</p>	<p>The ThinkStation Diagnostics program enables you to troubleshoot and resolve computer problems. The program notifies you of any issues detected by the real-time hardware diagnostic monitoring function. The program also provides the details of the issue, analyzes possible causes, and provides solutions.</p>

Chapter 3. Using your computer

This chapter contains the following topics:

- “Registering your computer” on page 47
- “Setting the computer volume” on page 47
- “Using a disc” on page 47
- “Connecting to a network” on page 49

Registering your computer

When you register your computer with Lenovo, you enter required information into a Lenovo database. The information enables Lenovo to contact you when there is a recall or other severe problem and provide quicker service when you call Lenovo for help. In addition, some locations offer extended privileges and services to registered users.

To register your computer with Lenovo, go to <http://www.lenovo.com/register> and follow the instructions on the screen.

Setting the computer volume

To set the computer volume, do the following:

1. Click the volume icon in the Windows notification area on the taskbar.

Note: If the volume icon is not displayed in the Windows notification area, add the icon to the notification area. See the Windows help system.

2. Follow the instructions on the screen and the hover text to adjust the volume, mute the speaker, or unmute the speaker.

Using a disc

This section provides information about using a disc and the optical drive.

Guidelines about using the optical drive

When using the optical drive, follow these guidelines:

- Do not place the computer in a location where the drive is exposed to any of the following conditions:
 - High temperature
 - High humidity
 - Excessive dust
 - Excessive vibration or sudden shock
 - An inclined surface
 - Direct sunlight
- Do not insert any object other than a disc into the drive.
- Do not insert damaged discs into the drive. Warped, scratched, or dirty discs can damage the drive.
- Before moving the computer, remove the disc from the drive.

Handling and storing a disc

When handling and storing a disc, follow these guidelines:

- Hold the disc by its edges. Do not touch the surface of the side that is not labeled.
- To remove dust or fingerprints, wipe the disc with a clean, soft cloth from the center to the outside. Wiping the disc in a circular direction might cause loss of data.
- Do not write or stick paper on the disc.
- Do not scratch or mark the disc.
- Do not place or store the disc in direct sunlight.
- Do not use benzene, thinners, or other cleaners to clean the disc.
- Do not drop or bend the disc.

Playing and removing a disc

To play a disc, do the following:

1. With the computer on, press the eject/close button on the front of the optical drive. The tray slides out of the drive.
2. Insert a disc into the tray. Some optical drive has a snap hub in the center of the tray. If your drive has a snap hub, support the tray with one hand and then push the center of the disc until it snaps into place.
3. Press the eject/close button again or gently push the tray forward to close the tray. The disc player program starts automatically. For more information, refer to the help system of the disc player program.

To remove a disc from the optical drive, do the following:

1. With the computer on, press the eject/close button on the front of the optical drive. The tray slides out of the drive.
2. Carefully remove the disc from the tray.
3. Press the eject/close button again or gently push the tray forward to close the tray.

Note: If the tray does not slide out of the drive when you press the eject/close button, turn off your computer. Then, insert a straightened paper clip into the emergency-eject hole adjacent to the eject/close button. Use the emergency eject only in an emergency.

Recording a disc

If your optical drive supports recording, you can record a disc.

Recording a disc using Windows tools

To record a disc using Windows tools, do one of the following:

- Burn a disc using the AutoPlay window.
 1. Ensure that the disc is played automatically.
 - a. Click the Start button to open the Start menu.
 - b. Depending on your Windows version, do one of the following:
 - For Windows 7: Click **Control Panel**. View Control Panel by Large icons or Small icons, and then click **AutoPlay**.
 - For Windows 10: Click **Settings** → **Devices** → **AutoPlay**.
 - c. Select or turn on **Use AutoPlay for all media and devices**.
 2. Insert a recordable disc into the optical drive that supports recording. The AutoPlay window opens.
 3. Follow the instructions on the screen.

- Burn a disc using Windows Media® Player.
 1. Insert a recordable disc into the optical drive that supports recording.
 2. Open Windows Media Player. See “Accessing a program on your computer” on page 43.
 3. Follow the instructions on the screen.
- Burn a disc from an ISO file.
 1. Insert a recordable disc into the optical drive that supports recording.
 2. Double-click the ISO file.
 3. Follow the instructions on the screen.

Recording a disc using preinstalled programs

To record a disc using preinstalled programs, do the following:

1. Insert a recordable disc into the optical drive that supports recording.
2. Open the PowerDVD Create, PowerProducer, or Power2Go program. See “Accessing a program on your computer” on page 43.
3. Follow the instructions on the screen.

Connecting to a network

This section provides information about connecting to a network. If you cannot connect your computer to a network, see “Ethernet LAN problems” on page 83.

Connecting to an Ethernet LAN

You can connect your computer to an Ethernet LAN by connecting an Ethernet cable to the Ethernet connector.



To avoid the risk of electrical shock, do not connect the telephone cable to the Ethernet connector.

Connecting to a wireless LAN

You can connect your computer to a wireless LAN without the use of an Ethernet cable but by means of radio waves only.

Note: The wireless LAN feature is available only on some models.

To establish a wireless-LAN connection, do the following:

1. Ensure that a wireless LAN is available and the wireless LAN feature on your computer is working.
2. Click the wireless-network-connection-status icon in the Windows notification area to display available wireless networks.

Note: If the wireless-network-connection-status icon is not displayed in the Windows notification area, add the icon to the notification area. See the Windows help system.

3. Click a wireless LAN, and then click **Connect** to connect your computer to it. Provide required information if needed.

Connecting to a Bluetooth-enabled device

Bluetooth is a short-range wireless communications technology. Use Bluetooth to establish a wireless connection between your computer and another Bluetooth-enabled device within a distance of about 10 m (32.8 ft).

Note: The Bluetooth feature is available only on some models.

To connect to a Bluetooth-enabled device, do the following:

1. Ensure that the Bluetooth feature on your computer is working and the Bluetooth-enabled device is located within a distance of about 10 m (32.8 ft) from your computer.
2. Click the Bluetooth icon in the Windows notification area on the taskbar.

Note: If the Bluetooth icon is not displayed in the Windows notification area, add the icon to the notification area. See the Windows help system.

3. Depending on your Windows version, do one of the following:
 - For Windows 7: Click **Add a Device** and follow the instructions on the screen.
 - For Windows 10: Click **Add a Bluetooth Device** and follow the instructions on the screen.

Chapter 4. You and your computer

This chapter contains the following topics:

- “Arranging your workspace” on page 51
- “Accessibility information” on page 52
- “Cleaning your computer” on page 55
- “Maintenance” on page 55
- “Moving your computer” on page 57

Arranging your workspace

Arrange your workspace to suit your needs and the kind of work you do. This section provides information about the factors that affect the way you arrange your workspace.

Glare and lighting

Position the monitor to minimize glare and reflections from overhead lights, windows, and other light sources. Reflected light from shiny surfaces can cause annoying reflections on your screen. When possible, place the monitor at right angles to windows and other light sources. If necessary, reduce overhead lighting by turning off lights or using lower wattage bulbs. If you install the monitor near a window, use curtains or blinds to block the sunlight. You can adjust the brightness and contrast controls on the monitor as the room lighting changes throughout the day.

Where it is impossible to avoid reflections or to adjust the lighting, an antiglare filter placed over the screen might be helpful. However, these filters might affect the clarity of the image on the screen; try them only after you have exhausted other methods of reducing glare.

Air circulation

Your computer produces heat. The computer has a fan that pulls in fresh air and forces out hot air through the air vents. Blocking the air vents can cause overheating, which might result in a malfunction or damage. Position the computer so that nothing blocks the air vents; usually, 51 mm (2 inches) of air space is sufficient. Ensure that the vented air is not blowing on people.

Electrical outlet locations and cable lengths

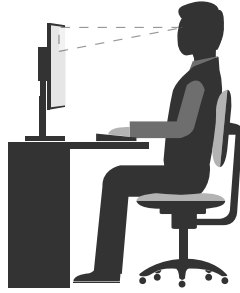
The following factors might determine the final placement of your computer:

- Locations of electrical outlets
- Length of power cords or power adapters
- Length of the cables that are connected to other devices

For more information about power cords or power adapters, see “Power cords and power adapters” on page 1.

Comfort

Although no single working position is ideal for everyone, here are a few guidelines to help you find a position that suits you best. The following figure sets an example for your reference.



- Screen position: Keep the screen at a comfortable viewing distance, usually 51–61 cm (20–24 inches). Then, adjust the screen so that the top of the screen is at or slightly below eye level and you can view it without twisting your body.
- Chair position: Use a chair that gives you good back support and seat height adjustment. Use chair adjustments to best suit your desired posture.
- Head position: Keep your head and neck in a comfortable and neutral (vertical or upright) position.
- Arm and hand positions: Keep your forearms, wrists, and hands in a relaxed and neutral (horizontal) position. Type with a soft touch without pounding the keys.
- Leg position: Keep your thighs parallel to the floor and your feet flat on the floor or on a footrest.

Make minor modifications in your working posture to deter the onset of discomfort caused by long periods of working in the same position. Frequent short breaks from your work also help to prevent minor discomfort associated with your working posture.

Accessibility information

Lenovo is committed to providing users who have hearing, vision, and mobility limitations with greater access to information and technology. This section provides information about the ways these users can get the most out of their computer experience. You also can get the most up-to-date accessibility information from the following Web site:

<http://www.lenovo.com/accessibility>

Keyboard shortcuts

The following table contains keyboard shortcuts that can help make your computer easier to use.

Note: Depending on your keyboard, some of the following keyboard shortcuts might not be available.

Keyboard shortcut	Function
Windows logo key + U	Open Ease of Access Center
Right Shift for eight seconds	Turn on or turn off Filter Keys
Shift five times	Turn on or turn off Sticky Keys
Num Lock for five seconds	Turn on or turn off Toggle Keys
Left Alt+Left Shift+Num Lock	Turn on or turn off Mouse Keys
Left Alt+Left Shift+PrtScn (or PrtSc)	Turn on or turn off High Contrast

For more information, go to <http://windows.microsoft.com/>, and then perform a search using any of the following keywords: keyboard shortcuts, key combinations, shortcut keys.

Ease of Access Center

Ease of Access Center on the Windows operating system enables users to configure their computers to suit their physical and cognitive needs.

To use Ease of Access Center, do the following:

1. Click the Start button to open the Start menu.
2. Depending on your Windows version, do one of the following:
 - For Windows 7: Click **Control Panel**. View Control Panel by Large icons or Small icons, and then click **Ease of Access Center**.
 - For Windows 10: Click **Settings** → **Ease of Access**.
3. Choose the appropriate tool by following the instructions on the screen.

Ease of Access Center mainly includes the following tools:

- **Magnifier**
Magnifier is a useful utility that enlarges the entire screen or part of the screen so that you can see the items better.
- **Narrator**
Narrator is a screen reader that reads aloud what is displayed on the screen and describes events such as error messages.
- **On-Screen Keyboard**
If you prefer to type or enter data into your computer using a mouse, joystick, or other pointing device instead of a physical keyboard, you can use On-Screen Keyboard. On-Screen Keyboard displays a visual keyboard with all the standard keys.
- **High Contrast**
High Contrast is a feature that heightens the color contrast of some text and images on your screen. As a result, those items are more distinct and easier to identify.
- **Personalized keyboard**
Adjust keyboard settings to make your keyboard easier to use. For example, you can use your keyboard to control the pointer and type certain key combinations easier.
- **Personalized mouse**
Adjust mouse settings to make your mouse easier to use. For example, you can change the pointer appearance and make it easier to manage windows with the mouse.

Speech Recognition

Speech Recognition enables you to control your computer by voice.

Using only your voice, you can start programs, open menus, click objects on the screen, dictate text into documents, and write and send e-mails. Everything you do with the keyboard and mouse can be done with only your voice.

To use Speech Recognition, do the following:

1. Click the Start button to open the Start menu.
2. Depending on your Windows version, do one of the following:
 - For Windows 7: Click **Control Panel**.
 - For Windows 10: Click **Windows System** → **Control Panel**.
3. View Control Panel by Large icons or Small icons, and then click **Speech Recognition**.

4. Follow the instructions on the screen.

Screen-reader technologies

Screen-reader technologies are primarily focused on software program interfaces, help information systems, and various online documents. For additional information about screen readers, see the following:

- Using PDFs with screen readers:
<http://www.adobe.com/accessibility.html?promoid=DJGVE>
- Using the JAWS screen reader:
<http://www.freedomscientific.com/jaws-hq.asp>
- Using the NVDA screen reader:
<http://www.nvaccess.org/>

Screen resolution

You can make the text and images on your screen easier to read by adjusting the screen resolution of your computer.

To adjust the screen resolution, do the following:

1. Right-click a blank area on the desktop.
2. Depending on your Windows version, do one of the following:
 - For Windows 7: Click **Screen resolution**.
 - For Windows 10: Click **Display settings → Display**.
3. Follow the instructions on the screen.

Note: Setting the resolution too low might prevent some items from fitting on the screen.

Customizable item size

You can make the items on your screen easier to read by changing the item size.

- To change the item size temporarily, use the Magnifier tool in Ease of Access Center. See “Ease of Access Center” on page 53.
- To change the item size permanently, do the following:
 - Change the size of all the items on your screen.
 - For Windows 7:
 1. Right-click a blank area on the desktop.
 2. Click **Screen resolution → Make text and other items larger or smaller**.
 3. Follow the on-screen instructions to change the item size.
 4. Click **Apply**. This change will take effect the next time you log in to the operating system.
 - For Windows 10:
 1. Right-click a blank area on the desktop.
 2. Click **Display settings → Display**.
 3. Follow the on-screen instructions to change the item size. For some apps, your configuration might not take effect until you sign out and then sign in again.
 - Change the size of the items on a Web page.

Press and hold Ctrl, and then press the plus-sign key (+) to enlarge or the minus-sign key (-) to reduce the text size.
 - Change the size of the items on the desktop or a window.

Note: This function might not work on some windows.

If your mouse has a wheel, press and hold Ctrl, and then scroll the wheel to change the item size.

Industry-standard connectors

Your computer provides industry-standard connectors that enable you to connect assistive devices.

For more information about the location and function of each connector, see “Hardware locations” on page 27.

TTY/TDD conversion modem

Your computer supports the use of a text telephone (TTY) or the telecommunications device for the deaf (TDD) conversion modem. The modem must be connected between your computer and a TTY/TDD telephone. Then, you can type a message on your computer and send it to the telephone.

Documentation in accessible formats

Lenovo provides electronic documentation in accessible formats, such as properly tagged PDF files or HyperText Markup Language (HTML) files. Lenovo electronic documentation is developed to ensure that visually impaired users can read the documentation through a screen reader. Each image in the documentation also includes adequate alternative text so that visually impaired users can understand the image when they use a screen reader.

Cleaning your computer

CAUTION:

Remove any media from the drives and turn off all connected devices and the computer. Then, disconnect all power cords from electrical outlets and disconnect all cables that are connected to the computer.

It is a good practice to clean your computer periodically to protect the surfaces and ensure trouble-free operation. Use only mild cleaning solutions and a damp cloth to clean the painted surfaces of the computer.

Dust buildup compounds problems associated with glare, so remember to clean the screen periodically. Wipe the screen surface gently with a soft, dry cloth, or blow on the screen to remove grit and other loose particles. Depending on the type of the screen, moisten a soft, lint-free cloth with an LCD cleaner or liquid glass cleaner and then wipe the screen surface.

Maintenance

With appropriate care and maintenance, your computer will serve you reliably. This section provides information about maintaining your computer so that it can keep working in better condition.

Basic maintenance tips

Here are some basic points about keeping your computer functioning properly:

- Keep your computer in a clean, dry environment. Ensure that the computer rests on a flat, steady surface.
- Do not cover any of air vents. These air vents provide airflow to keep your computer from overheating.
- Keep food and drinks away from all parts of your computer. Food particles and spills might make the keyboard and mouse stick and unusable.
- Do not get the power switches or other controls wet. Moisture can damage these parts and cause an electrical hazard.
- Always disconnect a power cord by grasping the plug instead of the cord.

Good maintenance practices

By performing a few good maintenance practices, you can maintain good computer performance, protect your data, and be prepared in case of a computer failure.

- Empty your recycle bin on a regular basis.
- Use the disk defragmentation or disk optimization feature of your operating system occasionally to prevent performance problems caused by an excessive number of fragmented files.
- Clean out your Inbox, Sent Items, and Deleted Items folders in your e-mail application on a regular basis.
- Back up critical data regularly on removable media memory, such as discs and USB storage devices, and store the removable media in a safe location. The frequency of making backup copies depends on how critical the data is to you or your business.
- Back up your data on the storage drive regularly. See “Recovery information” on page 89.
- Keep your computer software, device drivers, and operating system up-to-date. See “Keeping your computer current” on page 56.
- Keep a log book. Entries might include major software or hardware changes, device-driver updates, intermittent problems and what you did to resolve them, and other issues you might have experienced. The cause of a problem might be change in hardware, change in software, or any other actions that might have taken place. A log book can help you or a Lenovo technician determine the cause of a problem.
- Create Product Recovery discs. See “Recovery information” on page 89 for more information about using Product Recovery discs to restore the hard disk drive to the factory-default settings.

Keeping your computer current

In most cases, it is a good practice to have the most up-to-date operating system update patches, software programs, and device drivers. This section provides information about how to get the latest updates for your computer.

Getting the latest system updates

To get the latest system updates for your computer, ensure that your computer is connected to the Internet and do one of the following:

- Use the corresponding Lenovo program to get the system updates, such as device driver updates, software updates, and BIOS updates:
 - For Windows 7: Use the System Update program.
 - For Windows 10: Use the Lenovo Companion program.

To open the System Update or Lenovo Companion program, see “Accessing a program on your computer” on page 43. For more information about using the program, refer to the help system of the program.

- Use Windows Update to get the system updates, such as security fixes, new versions of Windows components, and device driver updates.
 1. Click the Start button to open the Start menu.
 2. Depending on your Windows version, do one of the following:
 - For Windows 7: Click **Control Panel**. View Control Panel by Large icons or Small icons, and then click **Windows Update**.
 - For Windows 10: Click **Settings** → **Update & security** → **Windows Update**.
 3. Follow the instructions on the screen.

Note: The device drivers provided by Windows Update might not be tested by Lenovo. It is recommended that you get device drivers by using Lenovo programs or from the Lenovo Web site at <http://www.lenovo.com/support>.

Moving your computer

Before moving your computer, take the following precautions:

1. Back up your data on the storage drive. See “Good maintenance practices” on page 56.
2. Remove any media from the drives and turn off all connected devices and the computer. Then, disconnect all power cords from electrical outlets and disconnect all cables that are connected to the computer.
3. If you saved the original shipping cartons and packing materials, use them to pack the units. If you are using different cartons, cushion the units to avoid damage.

Moving your computer to another country or region

When you move your computer to another country or region, you must take local electrical standards into consideration. If the local electrical outlet style is different from the type you are currently using, contact the Lenovo Customer Support Center to purchase either an electrical plug adapter or a new power cord. For a list of Lenovo Support phone numbers, go to <http://www.lenovo.com/support/phone>. If you cannot find the support telephone number for your country or region, contact your Lenovo reseller.

Chapter 5. Security

This chapter contains the following topics:

- “Locking your computer” on page 59
- “Viewing and changing security settings in the Setup Utility program” on page 61
- “Using passwords and Windows accounts” on page 62
- “Using fingerprint authentication” on page 62
- “Using the cover presence switch” on page 62
- “Using firewalls ” on page 63
- “Protecting data against viruses” on page 63
- “Computrace Agent software embedded in firmware” on page 63
- “BIOS guard” on page 63
- “Trusted Platform Module (TPM)” on page 64

Locking your computer

This section provides information about locking your computer with the locking devices to keep your computer safe.

Locking the computer cover

Locking the computer cover helps prevent unauthorized people from gaining access to the inside of your computer. Your computer might come with a key lock **1** that is built into the computer cover. The keys for the key lock are attached to the rear of the machine. For security, store the keys in a secure place when you are not using them.

Note: The key lock and keys are available only on some models.

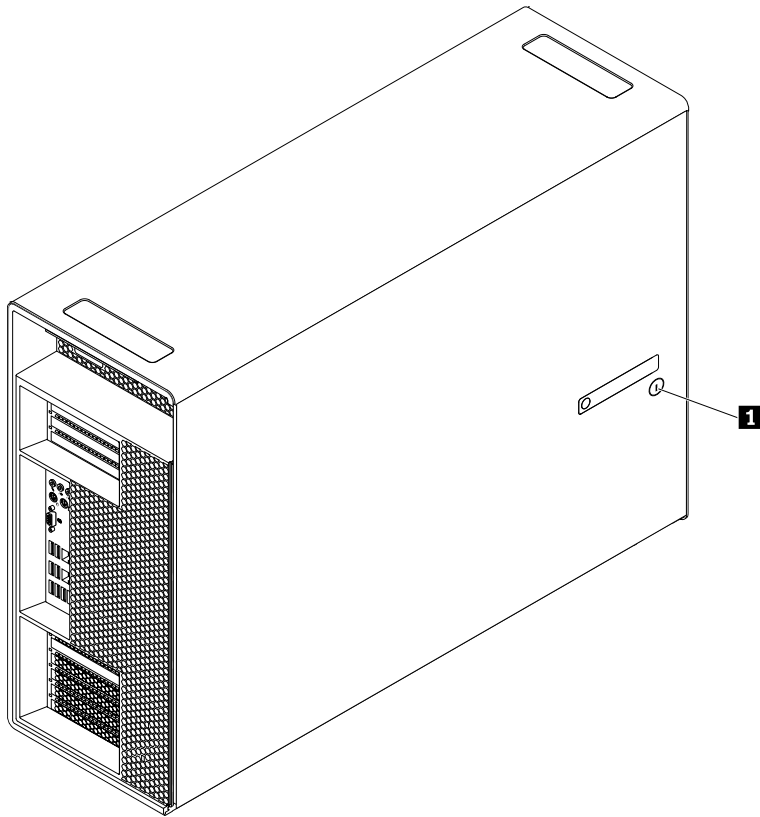


Figure 8. Locking the computer cover

Attaching a Kensington-style cable lock

You can use a Kensington-style cable lock to secure your computer to a desk, table, or other non-permanent fixture. The cable lock attaches to the security-lock slot at the rear of your computer. Depending on the type selected, the cable lock can be operated with a key or combination. The cable lock also locks the buttons used to open the computer cover. This is the same type of lock used with many notebook computers. You can order such a cable lock directly from Lenovo by searching for *Kensington* at: <http://www.lenovo.com/support>

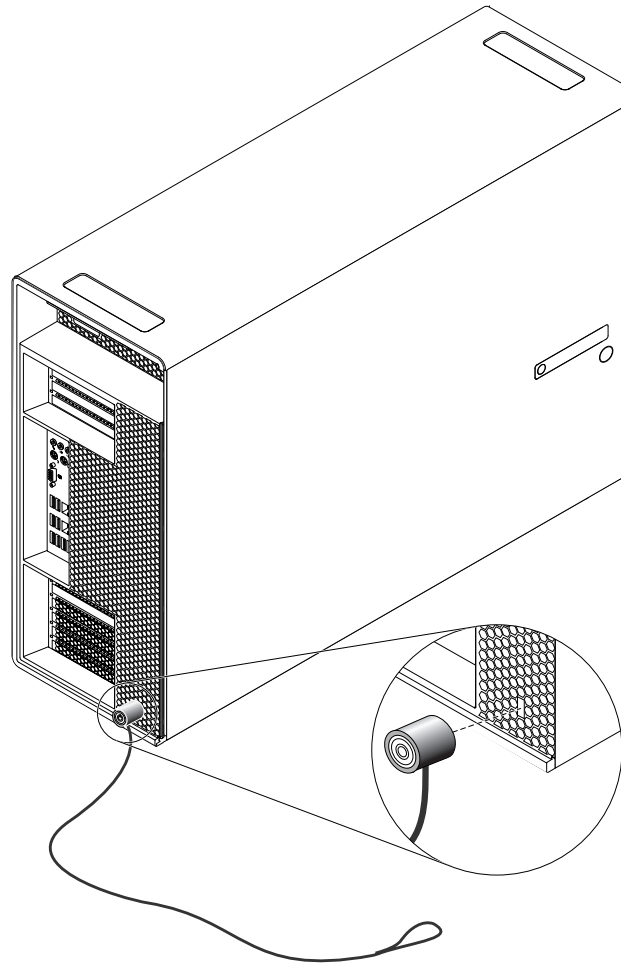


Figure 9. Kensington-style cable lock

Viewing and changing security settings in the Setup Utility program

To view and change security settings in the Setup Utility program, do the following:

1. Start the Setup Utility program. See “Starting the Setup Utility program” on page 65.
2. Select **Security**.
3. Follow the instructions on the right side of the screen to view and change security settings. You can refer to “Using the Setup Utility program” on page 65 to get basic information about some major security settings.

4. To save settings and exit the Setup Utility program, press F10, select **Yes** in the window displayed, and press Enter.

Note: For some keyboards, you might need to press Fn+F10 to exit the Setup Utility program.

Using passwords and Windows accounts

You can use BIOS passwords and Windows accounts to prevent unauthorized access to your computer and data.

- To use BIOS passwords, see “Using BIOS passwords” on page 68.
- To use Windows accounts, do the following:
 1. Click the Start button to open the Start menu.
 2. Depending on your Windows version, do one of the following:
 - For Windows 7: Click **Control Panel → User Accounts**.
 - For Windows 10: Click **Settings → Accounts**.
 3. Follow the instructions on the screen.

Using fingerprint authentication

If your keyboard has a fingerprint reader, you can use fingerprint authentication to replace passwords for simple and secure user access. To use fingerprint authentication, first enroll your fingerprints and associate them with your passwords (such as the power-on password, hard disk password, and Windows password). Use the fingerprint reader and the fingerprint program to complete this procedure.

To use fingerprint authentication, do one of the following:

- For Windows 7: Use the Fingerprint Manager Pro or ThinkVantage Fingerprint Software program provided by Lenovo. To open the program, see “Accessing a program on your computer” on page 43. For more information about using the program, refer to the help system of the program.
- For Windows 10: Use the fingerprint tool provided by the Windows operating system. Click the Start button to open the Start menu, and then click **Settings → Accounts → Sign-in options**. Follow the instructions on the screen.

To use the fingerprint reader, refer to the documentation shipped with the fingerprint keyboard or located on the Lenovo Support Web site at <http://www.lenovo.com/support/keyboards>.

Using the cover presence switch

The cover presence switch prevents your computer from logging in to the operating system when the computer cover is not properly installed or closed.

To use the cover presence switch, enable the cover-presence-switch connector on the system board first. To achieve this, do the following:

1. Start the Setup Utility program. See “Starting the Setup Utility program” on page 65.
2. Select **Security → Chassis Intrusion Detection** and press Enter.
3. Select **Enabled** and press Enter.
4. To save settings and exit the Setup Utility program, press F10, select **Yes** in the window displayed, and press Enter. The cover-presence-switch connector on the system board is enabled.

Note: For some keyboards, you might need to press Fn+F10 to exit the Setup Utility program.

The cover presence switch starts functioning. If the switch detects that the computer cover is not correctly installed or closed, an error message will be displayed when you turn on the computer. To fix the error and log in to the operating system, do the following:

1. Properly install or close your computer cover. See Chapter 9 “Installing or replacing hardware” on page 101.
2. Start and then exit the Setup Utility program. See “Starting the Setup Utility program” on page 65 and “Exiting the Setup Utility program” on page 70.

Using firewalls

A firewall can be hardware, software, or a combination of both depending on the level of security required. Firewalls work on a set of rules to determine which inbound and outbound connections are authorized. If your computer is preinstalled with a firewall program, it helps protect against computer Internet security threats, unauthorized access, intrusions, and Internet attacks. It also protects your privacy. For more information about how to use the firewall program, refer to the help system of your firewall program.

To use Windows Firewall, do the following

1. Click the Start button to open the Start menu.
2. Depending on your Windows version, do one of the following:
 - For Windows 7: Click **Control Panel**.
 - For Windows 10: Click **Windows System** → **Control Panel**.
3. View Control Panel by Large icons or Small icons, and then click **Windows Firewall**.
4. Follow the instructions on the screen.

Protecting data against viruses

Your computer is preinstalled with an antivirus program to help you guard against, detect, and eliminate viruses.

Lenovo provides a full version of antivirus software on your computer with a free 30-day subscription. After 30 days, you must renew the license to continue receiving the antivirus software updates.

Note: Virus definition files must be kept up-to-date to guard against new viruses.

For more information about how to use your antivirus software, refer to the help system of your antivirus software.

Computrace Agent software embedded in firmware

The Computrace Agent software is an IT asset management and computer theft recovery solution. The software detects if changes have been made on the computer, such as hardware, software, or the computer call-in location. You might have to purchase a subscription to activate the Computrace Agent software.

BIOS guard

The BIOS guard module cryptographically verifies all the BIOS updates to the system BIOS flash. Therefore, the malware is blocked from attacking the BIOS.

Trusted Platform Module (TPM)

TPM is a secure cryptoprocessor that stores cryptographic keys, which in turn protects information stored in your computer.

Chapter 6. Advanced configuration

This chapter contains the following topics:

- “Using the Setup Utility program” on page 65
- “Configuring RAID” on page 72
- “Updating and recovering the BIOS” on page 70

Using the Setup Utility program

The Setup Utility program is used to view and change the configuration settings of your computer. This section provides information about only the major configuration settings available in the program.

Note: The operating system settings might override any similar settings in the Setup Utility program.

Starting the Setup Utility program

To start the Setup Utility program, do the following:

1. Turn on or restart your computer.
2. Before the operating system starts up, repeatedly press and release F1 or Fn+F1 (depending on the keyboard). Based on the Setup Utility display mode setting, one of the following situations occurs:
 - Text mode: The Setup Utility program opens.
 - Graphic mode: The start screen is displayed. Then, select **Setup** to open the Setup Utility program.

Note: If a BIOS password has been set, the Setup Utility program will not open until you enter the correct password. For more information, see “Using BIOS passwords” on page 68.

To view and change the configuration settings, follow the instructions on the screen.

Changing the display mode of the Setup Utility program

You can use the Setup Utility program in the graphic mode or the text mode according to your needs.

- Text mode: You can use only the keyboard to make selections. The keys used to perform various tasks are displayed at the bottom of the screen.
- Graphic mode: In addition to the keyboard, you also can use the mouse to make selections.

Note: The Serial Port Console Redirection item is available only in the text mode.

To change the display mode of the Setup Utility program, do the following:

1. Start the Setup Utility program. See “Starting the Setup Utility program” on page 65.
2. From the main interface, locate **Setup mode select**, and select **Graphic** or **Text**.
3. To save settings and exit the Setup Utility program, press F10 or Fn+F10 (depending on the keyboard), select **Yes** in the window displayed, and press Enter.

Changing the display language of the Setup Utility program

The Setup Utility program supports three display languages: English, French, and simplified Chinese.

To change the display language of the Setup Utility program, do the following:

1. Start the Setup Utility program. See “Starting the Setup Utility program” on page 65.
2. From the main interface, locate **System Language**, and select the display language according to your needs.

Enabling or disabling a device

This section provides information about how to enable or disable user access to hardware devices (such as USB connectors or storage drives).

To enable or disable a device, do the following:

1. Start the Setup Utility program. See “Starting the Setup Utility program” on page 65.
2. Select **Devices**.
3. Select the device you want to enable or disable and press Enter.
4. Select the desired setting and press Enter.
5. To save settings and exit the Setup Utility program, press F10, select **Yes** in the window displayed, and press Enter.

Note: For some keyboards, you might need to press Fn+F10 to exit the Setup Utility program.

Enabling or disabling the automatic power-on of your computer

The Automatic Power On item in the Setup Utility program provides various options for you to make your computer start up automatically.

To enable or disable the Automatic Power On features, do the following:

1. Start the Setup Utility program. See “Starting the Setup Utility program” on page 65.
2. Select **Power → Automatic Power On** and press Enter.
3. Select the feature you want to enable or disable and press Enter.
4. Select the desired setting and press Enter.
5. To save settings and exit the Setup Utility program, press F10, select **Yes** in the window displayed, and press Enter.

Note: For some keyboards, you might need to press Fn+F10 to exit the Setup Utility program.

Enabling or disabling the ErP LPS compliance mode

Lenovo computers meet the eco-design requirements of the ErP Lot 3 regulation. For more information, go to:

<http://www.lenovo.com/ecodeclaration>

You can enable the ErP LPS compliance mode in the Setup Utility program to reduce the consumption of electricity when your computer is off or in sleep mode.

To enable or disable the ErP LPS compliance mode, do the following:

1. Start the Setup Utility program. See “Starting the Setup Utility program” on page 65.
2. Select **Power → Enhanced Power Saving Mode** and press Enter.
3. Select **Enabled** or **Disabled** depending on your needs, and then press Enter. If you select **Enabled**, you also need to disable the Wake on LAN feature. See “Enabling or disabling the automatic power-on of your computer” on page 66.
4. To save settings and exit the Setup Utility program, press F10, select **Yes** in the window displayed, and press Enter.

Note: For some keyboards, you might need to press Fn+F10 to exit the Setup Utility program.

When the ErP LPS compliance mode is enabled, you can wake up your computer by doing one of the following:

- Press the power button.
- Enable the Wake Up on Alarm feature to make your computer wake up at a set time. See “Enabling or disabling the automatic power-on of your computer” on page 66.
- Enable the After Power Loss feature to make your computer wake up when the power supply resumes after a sudden loss of electricity.

To enable the After Power Loss feature, do the following:

1. Start the Setup Utility program. See “Starting the Setup Utility program” on page 65.
2. Select **Power → After Power Loss** and press Enter.
3. Select **Power On** and press Enter.
4. To save settings and exit the Setup Utility program, press F10, select **Yes** in the window displayed, and press Enter.

Note: For some keyboards, you might need to press Fn+F10 to exit the Setup Utility program.

Enabling or disabling the configuration change detection

When the configuration change detection is enabled, if the POST detects configuration changes of some hardware devices (such as storage drives or memory modules), an error message is displayed.

To enable or disable the configuration change detection, do the following:

1. Start the Setup Utility program. See “Starting the Setup Utility program” on page 65.
2. Select **Security → Configuration Change Detection** and press Enter.
3. Select the desired setting and press Enter.
4. To save settings and exit the Setup Utility program, press F10, select **Yes** in the window displayed, and press Enter.

Note: For some keyboards, you might need to press Fn+F10 to exit the Setup Utility program.

To bypass the error message and log in to the operating system, do one of the following:

- Press the F2 key.

Note: For some keyboards, you might need to press Fn+F2 to bypass the error message.

- Start and then exit the Setup Utility program. See “Starting the Setup Utility program” on page 65 and “Exiting the Setup Utility program” on page 70.

Changing the BIOS settings before installing a new operating system

BIOS settings vary by operating system. Change the BIOS settings before installing a new operating system.

To change the BIOS settings, do the following:

1. Start the Setup Utility program. See “Starting the Setup Utility program” on page 65.
2. From the Setup Utility program main menu, select **Exit → OS Optimized Default**.
3. Depending on the operating system to be installed, do one of the following:
 - To install the Windows 10 (64-bit) operating system, select **Enabled**.
 - To install an operating system other than Windows 10 (64-bit), select **Disabled**.

4. Select **Yes** in the window displayed and press Enter to confirm your selection.
5. To save setting and exit the Setup Utility program, press F10, select **Yes** in the window displayed, and press Enter.

Note: For some keyboards, you might need to press Fn+F10 to exit the Setup Utility program.

Using BIOS passwords

By using the Setup Utility program, you can set passwords to prevent unauthorized access to your computer and data.

You do not have to set any passwords to use your computer. However, using passwords improves computer security. If you decide to set any passwords, read the following topics.

Password types

The following types of passwords are available in the Setup Utility program:

- **Power-on password**
When a power-on password is set, you are prompted to enter a valid password each time the computer is turned on. The computer cannot be used until the valid password is entered.
- **Administrator password**
Setting an administrator password deters unauthorized users from changing configuration settings. If you are responsible for maintaining the configuration settings of several computers, you might want to set an administrator password.

When an administrator password is set, you are prompted to enter a valid password each time you try to access the Setup Utility program. The Setup Utility program cannot be accessed until a valid password is entered.

If both the power-on password and administrator password are set, you can enter either password. However, you must use your administrator password to change any configuration settings.
- **Hard disk password**
Setting a hard disk password prevents unauthorized access to the data on the internal storage drive (such as a hard disk drive). When a hard disk password is set, you are prompted to enter a valid password each time you try to access the storage drive.

Notes:

- After you set a hard disk password, your data on the storage drive is protected even if the storage drive is removed from one computer and installed in another.
- If the hard disk password is forgotten, there is no way to reset the password or recover data from the storage drive.

Password considerations

A password can be any combination of up to 64 alphabetic and numeric characters. For security reasons, it is recommended to use a strong password that cannot be easily compromised.

Note: The Setup Utility program passwords are not case sensitive.

To set a strong password, consider the following guidelines:

- Have at least eight characters in length
- Contain at least one alphabetic character and one numeric character
- Not be your name or your user name
- Not be a common word or a common name

- Be significantly different from your previous passwords

Setting, changing, and deleting a password

To set, change, or delete a password, do the following:

1. Start the Setup Utility program. See “Starting the Setup Utility program” on page 65.
2. Select **Security**.
3. Depending on the password type, select **Set Power-On Password**, **Set Administrator Password**, or **Hard Disk Password** and press Enter.
4. Follow the instructions on the right side of the screen to set, change, or delete a password.

Note: A password can be any combination of up to 64 alphabetic and numeric characters. For more information, see “Password considerations” on page 68.

5. To save settings and exit the Setup Utility program, press F10, select **Yes** in the window displayed, and press Enter.

Note: For some keyboards, you might need to press Fn+F10 to exit the Setup Utility program.

Erasing lost or forgotten passwords (clearing CMOS)

This section provides instructions on how to erase lost or forgotten passwords, such as a user password.

To erase a lost or forgotten password, do the following:

1. Remove any media from the drives and turn off all connected devices and the computer. Then, disconnect all power cords from electrical outlets and disconnect all cables that are connected to the computer.
2. Remove the computer cover. See Chapter 9 “Installing or replacing hardware” on page 101.
3. Locate the Clear Complementary Metal Oxide Semiconductor (CMOS)/Recovery jumper on the system board. See “Parts on the system board” on page 35.
4. Move the jumper from the standard position (pin 1 and pin 2) to the maintenance position (pin 2 and pin 3).
5. Reinstall the computer cover and connect the power cord. See Chapter 9 “Installing or replacing hardware” on page 101.
6. Turn on the computer and leave it on for approximately 10 seconds. Then, turn off the computer by holding the power button for approximately five seconds.
7. Repeat step 1 and step 2.
8. Move the Clear CMOS /Recovery jumper back to the standard position (pin 1 and pin 2).
9. Reinstall the computer cover and connect the power cord.

Selecting a startup device

If your computer does not start up from a device as expected, you can choose to change the startup device sequence permanently or select a temporary startup device.

Changing the startup device sequence permanently

To change the startup device sequence permanently, do the following:

1. Depending on the type of the storage device, do one of the following:
 - If the storage device is internal, go to step 2.
 - If the storage device is a disc, ensure that your computer is turned on. Then, insert the disc into the optical drive.

- If the storage device is an external device other than a disc, connect the storage device to the computer.
2. Start the Setup Utility program. See “Starting the Setup Utility program” on page 65.
 3. Select **Startup**.
 4. Follow the instructions on the right side of the screen to change the startup device sequence.
 5. To save settings and exit the Setup Utility program, press F10, select **Yes** in the window displayed, and press Enter.

Note: For some keyboards, you might need to press Fn+F10 to exit the Setup Utility program.

Selecting a temporary startup device

Note: Not all discs and storage drives are bootable.

To select a temporary startup device, do the following:

1. Depending on the type of the storage device, do one of the following:
 - If the storage device is internal, go to step 2.
 - If the storage device is a disc, ensure that your computer is turned on. Then, insert the disc into the optical drive.
 - If the storage device is an external device other than a disc, connect the storage device to the computer.
2. Turn on or restart the computer. Before Windows starts up, repeatedly press and release the F12 key until Boot Menu is displayed.

Note: For some keyboards, you might need to press Fn+F12 to display Boot Menu.

3. Select the desired storage device and press Enter. The computer then starts up from the device you select.

If you want to select a permanent startup device, select **Enter Setup** on Boot Menu and press Enter to start the Setup Utility program. For more information about how to select a permanent startup device, see “Changing the startup device sequence permanently” on page 69.

Exiting the Setup Utility program

To exit the Setup Utility program, do one of the following:

- If you want to save the new settings, press the F10 key. Then, select **Yes** in the window displayed and press Enter.

Note: For some keyboards, you might need to press Fn+F10 to exit the Setup Utility program.

- If you do not want to save the new settings, select **Exit → Discard Changes and Exit** and press Enter. Then, select **Yes** in the window displayed and press Enter.

Updating and recovering the BIOS

The BIOS is the first program that the computer runs when you turn on the computer. The BIOS initializes the hardware components and loads the operating system and other programs.

BIOS levels

An incorrect level of BIOS can cause false errors and unnecessary FRU replacement. Use the following information to determine the currently installed BIOS level, the latest BIOS level available, and where to obtain the latest BIOS level.

- To determine the current Level of BIOS:
Start the Setup Utility and view the BIOS Revision level on the Main page.
- Sources for obtaining the latest level BIOS available
 - Lenovo support Web site: <http://www.lenovo.com/support/>
 - Lenovo Customer Support Center
 - Levels 1 and 2 Support

To update the BIOS, see “Updating and recovering the BIOS” on page 70.

Note: BIOS settings vary by operating system. Change the BIOS settings before installing a new operating system. See “Changing the BIOS settings before installing a new operating system” on page 67.

Updating the BIOS

When you install a new program, hardware device, or device driver, you might be informed to update the BIOS. You can update the BIOS from your operating system or a flash update disc (available only on some models).

To update the BIOS, do the following:

1. Go to <http://www.lenovo.com/support>.
2. To update the BIOS from your operating system, download the flash BIOS update driver according to your operating system version. To update the BIOS from a flash update disc, download the ISO image version (used to create a flash update disc). Then, download the installation instructions for the flash BIOS update driver.
3. Print the installation instructions you download and follow the instructions to update the BIOS.

Note: If you want to update the BIOS from a flash update disc, the installation instructions might not provide the information about how to record the update disc. See “Recording a disc” on page 48.

Recovering from a BIOS update failure

To recover from a BIOS update failure, do the following:

1. Remove any media from the drives and turn off all connected devices and the computer. Then, disconnect all power cords from electrical outlets and disconnect all cables that are connected to the computer.
2. Remove the computer cover. See Chapter 9 “Installing or replacing hardware” on page 101.
3. Locate the Clear CMOS /Recovery jumper on the system board. See “Hardware locations” on page 27.
4. Remove any parts and cables that impede your access to the Clear CMOS /Recovery jumper.
5. Move the jumper from the standard position (pin 1 and pin 2) to the maintenance position (pin 2 and pin 3).
6. Reinstall the parts and cables that were removed.
7. Reinstall the computer cover and reconnect any cables that were disconnected. See Chapter 9 “Installing or replacing hardware” on page 101.
8. Turn on the computer and insert the BIOS update disc into the optical drive. Wait a few minutes. The recovery process begins. After the recovery process is completed, your computer will shut down automatically.

Note: If the computer does not start up from the disc, select the disc as the startup device. See “Selecting a temporary startup device” on page 70.

9. Repeat steps 1–4.
10. Move the Clear CMOS /Recovery jumper back to the standard position (pin 1 and pin 2).
11. Repeat step 6 and step 7. Then, turn on your computer.

Configuring RAID

This chapter provides instructions on how to install hard disk drives and configure Redundant Array of Independent Disks (RAID) for your computer. Depending on your computer model, RAID can be enabled by Intel Rapid Storage Technology enterprise (RSTe) or the AVAGO MegaRAID BIOS.

Note: The RAID configuration information described in this chapter is only applicable in the Windows environment. For information about configuring RAID in the Linux® environment, contact your Linux software provider.

This chapter provides information about the following topics:

- “Configuring RAID with Intel RSTe” on page 72
- “Quick RAID setup using the AVAGO MegaRAID BIOS configuration utility ” on page 74

Configuring RAID with Intel RSTe

If your computer comes with Intel RSTe, you can follow the sections below to configure RAID with Intel RSTe.

This section provides information about the following topics:

- “Installing SATA hard disk drives” on page 72
- “Configuring SATA RAID functionality with the Intel RSTe configuration utility” on page 72

Installing SATA hard disk drives

Ensure that your computer has the minimum number of SATA hard disk drives installed for the following supported levels of RAID:

- RAID Level 0 - Striped disk array
 - A RAID Level 0 hard disk drive group consisting of at least two hard disk drives
 - Supported strip size: 4 KB, 8 KB, 16 KB, 32 KB, 64 KB, or 128 KB
 - Better performance without fault tolerance
- RAID Level 1 - Mirrored disk array
 - A RAID Level 1 hard disk drive group consisting of two hard disk drives
 - Improved reading performance and 100% redundancy
- RAID Level 10 - Striped and mirrored disk array (a combination of RAID Level 0 and RAID Level 1)
 - A RAID Level 10 hard disk drive group consisting of four hard disk drives
 - Supported strip size: 4 KB, 8 KB, 16 KB, 32 KB, or 64 KB
- RAID Level 5 - Block-level striped disk array with distributed parity
 - A RAID Level 5 hard disk drive group consisting of at least three hard disk drives
 - Supported strip size: 4 KB, 8 KB, 16 KB, 32 KB, or 64 KB
 - Better performance and fault tolerance

Configuring SATA RAID functionality with the Intel RSTe configuration utility

This section describes the information about configuring SATA RAID functionality with the Intel RSTe configuration utility.

Note: The Intel RSTe configuration utility assumes that your computer is installed with more than one hard disk drive. Therefore, if only one hard disk drive is installed in your computer, the following information does not apply.

This section provides information about the following topics:

- “Entering the Intel RSTe configuration utility” on page 73
- “Creating RAID volumes using the Intel RSTe configuration utility” on page 73
- “Deleting RAID volumes using the Intel RSTe configuration utility” on page 74
- “Resetting hard disk drives to non-RAID” on page 74

Entering the Intel RSTe configuration utility

This section provides instructions on how to enter the Intel RSTe configuration utility.

During the computer startup, follow the instructions on the screen. Press Ctrl+I to enter the Intel RSTe configuration utility.

The following four options are displayed after you enter the Intel RSTe configuration utility:

1. **Create RAID Volume**
2. **Delete RAID Volume**
3. **Reset Disks to Non - RAID**
4. **Exit**

Press the up and down arrow keys to select an option. Press Enter to enter the menu for the selected option. Press Esc to exit the Intel RSTe configuration utility, or select **Exit**, and then press Enter to exit the Intel RSTe configuration utility.

Creating RAID volumes using the Intel RSTe configuration utility

This section provides instructions on how to use the Intel RSTe configuration utility to create RAID volumes.

To create a RAID volume, do the following:

1. Enter the Intel RSTe configuration utility. See “Entering the Intel RSTe configuration utility” on page 73.
2. Press the up and down arrow keys to select **Create RAID Volume**, and then press Enter to view the CREATE VOLUME MENU window.
3. The following five options are displayed. Press the up and down arrow keys to select an option. After you configure an option, press Tab or Enter to go to the next option.
 - a. **Name:** Volume name. You can use the default name or type a preferred name.
 - b. **RAID Level:** You can change the RAID Level to one of the following:
 - **RAID Level 0**
 - **RAID Level 1**
 - **RAID Level 10**
 - **RAID Level 5**
 - c. **Disks:** Press Enter to enter the SELECT DISKS MENU window. Follow the instructions at the bottom of the menu to select hard disk drives, and then press Enter to complete the configuration.
 - d. **Strip Size:** Press the up and down arrow keys to select a strip size.
 - e. **Capacity:** Customize the capacity of the RAID volume. The default RAID volume is the largest value.
4. Press Enter to finish configuring all the five options. When prompted, press Y to confirm the creation of the new RAID volume.
5. After the new RAID volume is created, the information about the RAID volume will be displayed under **DISK/VOLUME INFORMATION**, such as ID number, name, RAID level, strip size, volume size, status, and whether it is a bootable volume.

Deleting RAID volumes using the Intel RSTe configuration utility

This section provides instructions on how to use the Intel RSTe configuration utility to delete RAID volumes.

To delete a RAID volume, do the following:

1. Enter the Intel RSTe configuration utility. See “Entering the Intel RSTe configuration utility” on page 73.
2. Press the up and down arrow keys to select **Delete RAID Volume**. Press Enter to enter the DELETE VOLUME MENU window.
3. Press the up and down arrow keys to select the RAID volume that is not needed. Press Del to delete it from the **RAID Volumes** list.
4. When prompted, press Y to confirm the deletion of the selected RAID volume.

Resetting hard disk drives to non-RAID

This section provides instructions on how to reset hard disk drives to non-RAID.

To reset hard disk drives to non-RAID, do the following:

1. Enter the Intel RSTe configuration utility. See “Entering the Intel RSTe configuration utility” on page 73.
2. Press the up and down arrow keys to select **Reset Disks to Non-RAID**. Press Enter to enter the RESET RAID DATA window.
3. Use the up and down arrow keys and the space key to mark an individual hard disk drive to be reset, and then press Enter to complete the selection.
4. When prompted, press Y to confirm the reset action.
5. If the hard disk drive you reset is part of a RAID volume, the computer might detect that the RAID volume is degraded. In this case, you are prompted to select a hard disk drive to initiate a rebuild process.
6. Select an available hard disk drive, and then press Enter to initiate the rebuild process.

Note: Press Esc to cancel a rebuild process and keep the RAID volume in the degraded status. In the Main Menu window under **DISK/VOLUME INFORMATION**, you will see the status of the RAID volume is changed to **Degraded**.

Quick RAID setup using the AVAGO MegaRAID BIOS configuration utility

Notes:

- The AVAGO MegaRAID SAS adapter and the AVAGO MegaRAID BIOS configuration utility are only available on some models.
- The following steps in this section are intended to guide you through a quick setup of basic RAID functions with the AVAGO MegaRAID SAS adapter. For advanced setup and configuration using this adapter, refer to the complete *MegaRAID SAS Software User Guide* that is available at http://support.lenovo.com/en_US/guides-and-manuals/detail.page?DocID=UM007543.

This section provides information about the following topics:

- “Installing SATA or SAS hard disk drives” on page 74
- “Entering the AVAGO MegaRAID BIOS configuration utility” on page 75
- “Creating RAID volumes using the AVAGO MegaRAID BIOS configuration utility” on page 75
- “Deleting RAID volumes using the AVAGO MegaRAID BIOS configuration utility” on page 76
- “Setting the hot spare hard disk drive” on page 76

Installing SATA or SAS hard disk drives

Ensure that your computer has the minimum number of SATA or SAS hard disk drives installed for the following supported levels of RAID:

- RAID Level 0 - Striped disk array
 - A RAID Level 0 hard disk drive group consisting of at least one hard disk drive
 - Supported strip size: 8 KB to 1 MB
 - Better performance without fault tolerance
- RAID Level 00 - Spanned hard disk drive group with a series of RAID 0 hard disk drive groups
 - A RAID Level 00 hard disk drive group consisting of two or four hard disk drives
 - Supported strip size: 8 KB to 1 MB
 - Better performance without fault tolerance
- RAID Level 1 - Mirrored disk array
 - A RAID Level 1 hard disk drive group consisting of two or four hard disk drives
 - Improved read performance and 100% redundancy
- RAID Level 10 - A combination of RAID Level 0 and RAID Level 1
 - A RAID Level 10 hard disk drive group consisting of four hard disk drives
 - Data being striped across hard disk drive groups
 - Provides both high data transfer rates and complete data redundancy
- RAID Level 5 - Block-level striped disk array with distributed parity
 - A RAID Level 5 hard disk drive group consisting of at least three hard disk drives
 - Supported strip size: 8 KB to 1 MB
 - Better performance and fault tolerance
 - RAID Level 5 might not be available on all models of AVAGO MegaRAID adapter
- RAID Level 6 - Block-level striped disk array with dual distributed parity
 - A RAID Level 6 hard disk drive group consisting of at least four hard disk drives
 - Supported strip size: 8 KB to 1 MB
 - Better performance and fault tolerance that can stand up to loss of two hard disk drives
 - RAID Level 6 might not be available on all models of AVAGO MegaRAID adapter

Ensure that the AVAGO MegaRAID SAS adapter card is installed in your computer, and that the hard disk drives are connected to this adapter card and not to the connectors on the system board.

Entering the AVAGO MegaRAID BIOS configuration utility

This section provides instructions on how to enter the AVAGO MegaRAID BIOS configuration utility.

To enter the AVAGO MegaRAID BIOS configuration utility, do the following:

1. During the computer startup, follow the instructions on the screen.
2. Press Ctrl+H to enter the CONTROLLER SELECTION window.
3. Select the controller you want to configure, and then click **Start** to enter the AVAGO MegaRAID BIOS configuration utility.

Creating RAID volumes using the AVAGO MegaRAID BIOS configuration utility

This section provides instructions on how to create RAID volumes using the AVAGO MegaRAID BIOS configuration utility.

To create RAID volumes using the AVAGO MegaRAID BIOS configuration utility, do the following:

1. Click **Configuration Wizard** on the WebBIOS main screen to enter the Choosing the Configuration Type window.
2. Press the up and down arrow keys to select one of the three configuration types:
 - **Clear Configuration:** Clear the existing configuration.
 - **New Configuration:** Clear the existing configuration and create new configuration.
 - **Add Configuration:** Retain the existing storage configuration and add new hard disk drives. The new configuration will not cause any data loss.
3. Select **Add Configuration**, and then click **Next**. The following two options are displayed in the Configuration Method window.
 - **Manual Configuration:** Manually create hard disk drive groups and virtual hard disk drives, and set parameters.
 - **Automatic Configuration:** Automatically create an optimal RAID configuration.
4. Select **Manual Configuration**, and then click **Next**. The Drive Group Definition window is displayed. To create hard disk drive groups, do the following:
 - a. Select one or more hard disk drives for the group (keep pressing Ctrl while selecting more than one hard disk drive).
 - b. Click **Add To Array** to move the selected hard disk drives to **Drive Groups**.
 - c. Click **Accept DG** to create the hard disk drive group.
 - d. Repeat the above steps if you want to create more than one hard disk drive group.
5. Click **Next**. The Span Definition window is displayed. Select the hard disk drive group that you want to add to a span, and then click **Add to SPAN**. Repeat this step until you have selected all the hard disk drive groups you want.
6. Click **Next**. The Virtual Drive Definition window is displayed. Change the virtual hard disk drive options from the default settings listed on the screen to the settings you want. Click **Accept**, and then follow the instructions on the screen to customize your settings.
7. Click **Next**, and the Preview window is displayed.
8. Verify your settings, and then click **Accept**.
9. Click **Yes** to save the configuration.

Deleting RAID volumes using the AVAGO MegaRAID BIOS configuration utility

This section provides instructions on how to delete RAID volumes using the AVAGO MegaRAID BIOS configuration utility.

To delete RAID volumes using the AVAGO MegaRAID BIOS configuration utility, do the following:

1. Enter the AVAGO MegaRAID BIOS configuration utility. Refer to “Entering the AVAGO MegaRAID BIOS configuration utility” on page 75.
2. Click the virtual hard disk drives you want to delete, and then the Virtual Drive window is displayed.
3. Click **Delete**, and then click **Go**.
4. Click **Yes** to save your changes.

Setting the hot spare hard disk drive

This section provides instructions on how to set the hot spare hard disk drive.

To set the hot space hard disk drive, do the following:

1. Enter the AVAGO MegaRAID BIOS configuration utility. Refer to “Entering the AVAGO MegaRAID BIOS configuration utility” on page 75.

2. Click the hard disk drive you want to set as the hot spare hard disk drive. The Drive window is displayed.
3. Select **Make Global HSP** or **Make Dedicated HSP**, and then click **Go**.
4. The main screen of the AVAGO MegaRAID BIOS configuration utility is displayed, and the hard disk drive you selected is listed as a hot spare hard disk drive in the right pane.

Chapter 7. Troubleshooting, diagnostics, and recovery

This chapter provides solutions to resolve your computer problems. Follow the steps in the basic procedure for resolving computer problems, which helps you make good use of the troubleshooting, diagnostics, and recovery information.

- “Basic procedure for resolving computer problems” on page 79
- “Troubleshooting” on page 79
- “Diagnostics” on page 87
- “Recovery information” on page 89

Basic procedure for resolving computer problems

It is recommended that you use the following procedure to resolve computer problems you are experiencing:

1. Ensure that:
 - a. The cables for all connected devices are connected correctly and securely.
 - b. All connected devices that require ac power are connected to properly grounded, functioning electrical outlets.
 - c. All connected devices are enabled in the BIOS settings of your computer. Refer to “Enabling or disabling a device” on page 66.

If these actions do not resolve your problem, continue with the next step.

2. Use an antivirus program to see if your computer has been infected by a virus. If the program detects a virus, remove the virus. If the antivirus program does not resolve your problem, continue with the next step.
3. Go to “Troubleshooting” on page 79 and follow the instructions for the type of problem you are experiencing. If these troubleshooting instructions do not resolve your problem, continue with the next step.
4. Run the diagnostic program. Refer to “Diagnostics” on page 87. If the diagnostic program does not resolve your problem, continue with the next step.
5. Recover your operating system. Refer to “Recovery information” on page 89.
6. If none of these actions solve your problem, contact the Lenovo Customer Support Center. For a list of Lenovo Support phone numbers, go to <http://www.lenovo.com/support/phone>. For more information about help, service, and technical assistance, refer to Chapter 10 “Getting information, help, and service” on page 215.

Troubleshooting

Attention: Do not open your computer or attempt any repair before reading and understanding the Chapter 1 “Read this first: Important safety information” on page 1.

Use the troubleshooting information to find solutions to problems that have definite symptoms.

Startup problems

The computer does not start up when you press the power button.

Solutions:

Ensure that:

- The power cord is correctly connected to the rear of the computer and to a working electrical outlet.
- If your computer has a secondary power switch on the rear of the computer, ensure that it is switched on.
- The power indicator on the front of the computer is on.
- The computer voltage matches the voltage available at the electrical outlet for your country or region.

The operating system fails to start up.

Solution:

Ensure that the startup device sequence set in the Setup Utility program includes the device where the operating system resides. Usually, the operating system is on the internal storage drive. For more information, refer to “Changing the startup device sequence permanently” on page 69.

The computer beeps multiple times before the operating system starts up.

Solution:

Ensure that no keys are stuck.

Audio problems

The audio cannot be heard on the Windows operating system.

Solutions:

- If you are using powered external speakers that have an On/Off control, ensure that:
 - The On/Off control is set to the **On** position.
 - The speaker power cable is connected to a properly grounded, functional ac electrical outlet.
- If your external speakers have a volume control, ensure that the volume is not set too low.
- Click the volume icon in the Windows notification area on the taskbar. Ensure that the mute speakers settings are not selected and none of the volume settings is set too low.

Note: If the volume icon is not displayed in the Windows notification area, add the icon to the notification area. Refer to the Windows help system.

- For some computers that have a front audio panel, ensure that the volume is not set too low.
- Ensure that your external speakers (and headphones, if used) are connected to the correct audio connectors on the computer. Most speaker cables are color-coded to match the connectors.

Note: When external-speaker or headphone cables are connected to the audio connectors, the internal speaker, if present, is disabled. In most cases, if an audio adapter is installed in one of the expansion slots, the audio function built into the system board is disabled. Therefore, you must use the audio connectors on the audio adapter.

- Ensure that the program you are running is designed for use on the Windows operating system. If the program is designed to run in DOS, the program does not use the Windows sound feature. The program must be configured to use SoundBlaster Pro or SoundBlaster emulation.
- Ensure that the audio device drivers are correctly installed.

The sound comes from one of the external speakers.

Solutions:

- Ensure that the speaker cable is inserted completely into the connector on the computer.
- Depending on your Windows version, do one of the following:

- For Windows 7: Click the volume icon in the Windows notification area on the taskbar. Then, click the speaker icon on top of the volume control.
- For Windows 10: Right-click the volume icon in the Windows notification area on the taskbar. Then, click **Open Volume Mixer** and select the desired speaker.

Note: If the volume icon is not displayed in the Windows notification area, add the icon to the notification area.

Then, click the **Levels** tab and ensure that the Balance settings are set correctly.

CD or DVD problems

A CD or DVD does not work.

Solutions:

- Ensure that the power cable and signal cable are securely connected to the drive.
- Ensure that the disc is inserted correctly, with its label up.
- Ensure that the disc you are using is clean. To remove dust or fingerprints, wipe the disc clean with a soft cloth from the center to the outside. Wiping a disc in a circular motion might cause loss of data.
- Ensure that the disc you are using is not scratched or damaged. Try inserting another disc that you know is good. If you cannot read from a known-good disc, you might have a problem with your optical drive or the cabling to your optical drive.
- If you have multiple CD or DVD drives installed (or a combination of CD and DVD drives), try inserting the disc into the other drive. In some cases, only one of the drives is connected to the audio subsystem.

A bootable recovery medium, such as the Product Recovery CD, cannot be used to start your computer.

Solution:

Ensure that the CD or DVD drive is set as the top priority of the Boot Priority Order in the Setup Utility program. Refer to “Selecting a temporary startup device” on page 70 for information about viewing and changing the startup sequence.

Note: On some computer models, the startup sequence is permanently set and cannot be changed.

A black screen is displayed instead of the DVD video.

Solutions:

- Restart the DVD player program.
- Try a lower screen resolution or color depth.
- Close any open files, and then restart the computer.

A DVD movie does not play.

Solutions:

- Ensure that the disc surface is clean and not scratched.
- Check the disc or package for regional coding. You might need to purchase a disc with coding for the region where you are using your computer.

No audio or only an intermittent audio comes out while a DVD movie is playing.

Solutions:

- Check the volume control settings on your computer and on your speakers.

- Ensure that the disc surface is clean and not scratched.
- Check all cable connections to and from the speakers.
- Use the DVD menu for the video to select a different audio track.

The playback is slow or choppy.

Solutions:

- Disable any background programs, such as AntiVirus or Desktop Themes.
- Ensure that video resolution is lower than 1152 x 864 pixels.

A message indicating invalid disc or no disc found is displayed.

Solutions:

- Ensure that the disc is in the drive with the shiny side of the disc facing down.
- Ensure that video resolution is lower than 1152 x 864 pixels.
- Ensure that the DVD or CD is inserted into an appropriate optical drive. For example, do not insert a DVD into a CD-only drive.

Intermittent problems

Intermittent problems refer to the problems occur only occasionally and are difficult to repeat.

Solutions:

- Ensure that all cables and cords are securely connected to the computer and attached devices.
- Ensure that when the computer is on, the fan grill is not blocked (there is air flow around the grill), and the fans are working. If airflow is blocked or the fans are not working, the computer might overheat.
- If Small Computer System Interface (SCSI) devices are installed, ensure that the last external device in each SCSI chain is terminated correctly. For more information, refer to your SCSI documentation.

Storage drive problems

Some or all storage drives are missing from the Setup Utility program.

Solutions:

- Ensure that the signal cables and power cables for all the storage drives are connected correctly.
- If the computer is installed with SAS storage drives, ensure that the AVAGO MegaRAID SAS adapter is correctly connected.

The computer cannot start up from the correct storage drive or the message “No Operating System Found” is displayed.

Solutions:

- Ensure that the signal cables and power cables for all the storage drives are connected correctly.
- Ensure that the computer starts up from the correct storage drive. Set the storage drive, on which the operating system resides, as the first startup device in the Setup Utility program. Refer to “Changing the startup device sequence permanently” on page 69.

Note: In rare cases, the storage drive with the operating system might get corrupted or damaged. If this problem occurs, replace the storage drive. Refer to Chapter 9 “Installing or replacing hardware” on page 101.

Ethernet LAN problems

The computer cannot connect to an Ethernet LAN.

Solutions:

- Connect the cable from the Ethernet connector to the RJ45 connector of the hub.
- Enable the Ethernet LAN feature in the Setup Utility program. Refer to “Using the Setup Utility program” on page 65.
- Enable the Ethernet LAN adapter.
 1. Click the Start button to open the Start menu.
 2. Depending on your Windows version, do one of the following:
 - For Windows 7: Click **Control Panel**.
 - For Windows 10: Click **Windows System** → **Control Panel**.
 3. View Control Panel by Large icons or Small icons, and then click **Network and Sharing Center** → **Change adapter settings**.
 4. Right-click the Ethernet LAN adapter icon and click **Enable**.
- Update or reinstall the Ethernet LAN driver. Refer to “Keeping your computer current” on page 56.
- Install all networking software that is necessary for your network environment. Check with your LAN administrator for the necessary networking software.
- Set the same duplex for the switch port and the adapter. If you configured the adapter for full duplex, ensure that the switch port is also configured for full duplex. Setting the wrong duplex mode might degrade performance, cause data loss, or result in lost connections.

When a Gigabit Ethernet model computer is used at a speed of 1000 Mbps, the Ethernet LAN connection fails or errors occur.

Solution:

Connect the network cable to the Ethernet connector using Category 5 wiring and a 100 BASE-T hub/switch (not 100 BASE-X).

A Gigabit Ethernet model computer should connect to the network at a speed of 1000 Mbps but at only a speed of 100 Mbps.

Solutions:

- Try another cable.
- Set the link partner to auto-negotiate.
- Set the switch to be 802.3ab-compliant (gigabit over copper).

The Wake On LAN feature does not work.

Solution:

Enable the Wake On LAN feature in the Setup Utility program. Refer to “Using the Setup Utility program” on page 65.

Wireless LAN problem

Note: The wireless LAN feature is available only on some models.

The wireless LAN feature does not work.

Solutions:

- Enable the wireless LAN feature in the Setup Utility program. Refer to “Using the Setup Utility program” on page 65.
- For Windows 10, enable the wireless LAN feature in Windows Settings. Click the Start button to open the Start menu, and then click **Settings → Network & Internet → Wi-Fi**. Turn on the Wi-Fi feature.
- Enable the wireless LAN adapter.
 1. Click the Start button to open the Start menu.
 2. Depending on your Windows version, do one of the following:
 - For Windows 7: Click **Control Panel**.
 - For Windows 10: Click **Windows System → Control Panel**.
 3. View Control Panel by Large icons or Small icons, and then click **Network and Sharing Center → Change adapter settings**.
 4. Right-click the wireless LAN adapter icon and click **Enable**.
- Update or reinstall the wireless LAN driver. Refer to “Keeping your computer current” on page 56.

Bluetooth problems

Note: The Bluetooth feature is available only on some models.

The Bluetooth feature does not work.

Solutions:

- Enable the Bluetooth feature in the Setup Utility program. Refer to “Using the Setup Utility program” on page 65.
- To enable the Bluetooth devices, depending on your Windows version, do one of the following:
 - For Windows 7:
 1. Click the Start button to open the Start menu. Right-click **Computer**, and then click **Properties**.
 2. Click **Device Manager**. Type the administrator password or provide confirmation if prompted.
 3. Expand **Bluetooth Radios** to display the Bluetooth devices. Then, right-click each Bluetooth device and then Click **Enable**.
 4. Expand **Network adapters**. Then, right-click each Bluetooth device and then Click **Enable**.
 - For Windows 10:
 1. Right-click the Start button to open the Start context menu.
 2. Click **Device Manager**. Type the administrator password or provide confirmation if prompted.
 3. Expand **Bluetooth** to display the Bluetooth devices. Then, right-click each Bluetooth device and then Click **Enable device**.
 4. Expand **Network adapters**. Then, right-click each Bluetooth device and then Click **Enable device**.
- To turn on the Bluetooth radio on Windows 10, do the following:
 1. Click the Start button to open the Start menu.
 2. Click **Settings → Devices → Bluetooth & other devices**.
 3. Turn on the **Bluetooth** switch to enable the Bluetooth feature.
- Update or reinstall the Bluetooth driver. See “Keeping your computer current” on page 56.

No sound comes from the Bluetooth headset or headphones.

Solution:

Set the Bluetooth headset or headphones as the default device.

1. Exit the application that uses the sound device (for example, Windows Media Player).
2. Right-click the volume icon in the Windows notification area on the taskbar.

Note: If the volume icon is not displayed in the Windows notification area, add the icon to the notification area. Refer to Window help system.

3. Click **Playback devices**.
4. If you are using the Headset profile, select **Bluetooth Hands-free Audio**, and then click **Set Default**. If you are using the AV profile, select **Stereo Audio**, and then click **Set Default**.
5. Click **OK**.

Performance problems

Excessive fragmented files exist on the storage drives.

Solution:

Use the Windows disk defragmentation or disk optimization feature to clean up the files.

Note: Depending on the volume of the storage drives and amount of data stored on the storage drives, the disk-defragmentation process might take up to several hours.

1. Close any open programs and windows.
2. Click the Start button to open the Start menu.
3. Depending on your Windows version, do one of the following:
 - For Windows 7: Click **Computer**.
 - For Windows 10: Click **Windows System** → **File Explorer** → **This PC**.
4. Right-click your C drive and then click **Properties**.
5. Click the **Tools** tab.
6. Depending on your Windows version, do one of the following:
 - For Windows 7: Click **Defragment now**. Select the desired drive and then click **Defragment disk**.
 - For Windows 10: Click **Optimize**. Select the desired drive and then click **Optimize**.
7. Follow the instructions on the screen.

The free storage drive space is insufficient.

Solutions:

Free up the storage drive space.

- Clean out your Inbox, Sent Items, and Deleted Items folders from your e-mail application.
- Clean up your C drive.
 1. Click the Start button to open the Start menu.
 2. Depending on your Windows version, do one of the following:
 - For Windows 7: Click **Computer**.
 - For Windows 10: Click **Windows System** → **File Explorer** → **This PC**.

3. Right-click your C drive and then click **Properties**.
 4. Check the amount of free space, and then click **Disk Cleanup**.
 5. A list of unnecessary file categories is displayed. Select each file category you want to delete, and then click **OK**.
- Turn some Windows features off or remove some unnecessary programs.
 1. Click the Start button to open the Start menu.
 2. Depending on your Windows version, do one of the following:
 - For Windows 7: Click **Control Panel**.
 - For Windows 10: Click **Windows System** → **Control Panel**.
 3. View Control Panel by Large icons or Small icons, and then click **Programs and Features**.
 4. Do one of the following:
 - To turn some Windows features off, click **Turn Windows features on or off**. Follow the instructions on the screen.
 - To remove some unnecessary programs, select the program you want to remove, and then click **Uninstall/Change** or **Uninstall**.

The free memory space is insufficient.

Solutions:

- Right-click a blank area on the taskbar and open Task Manager. Then, end some tasks you are not performing.
- Install additional memory modules. Refer to Chapter 9 “Installing or replacing hardware” on page 101. To purchase memory modules, go to:
<http://www.lenovo.com>

Serial connector problem

The serial connector cannot be accessed.

Solutions:

- Connect the serial cable from the serial connector on the computer to the serial device. If the serial device has its own power cord, connect the power cord to a grounded electrical outlet.
- Turn on the serial device and keep the device online.
- Install any application programs supplied with the serial device. Refer to the documentation that comes with the serial device for more information.
- If you added one serial-connector adapter, ensure that the adapter is installed correctly.

USB device problem

A USB device cannot be accessed.

Solutions:

- Connect the USB cable from the USB connector to the USB device. If the USB device has its own power cord, connect the power cord to a grounded electrical outlet.
- Turn on the USB device and keep the device online.
- Install any device drivers or application programs supplied with the USB device. Refer to the documentation that comes with the USB device for more information.

- Disconnect and reconnect the USB connector to reset the USB device.

Software and driver problems

For some programs, dates cannot be sorted in correct order.

Solution:

Some programs developed before the year 2000 use only the last two digits of a year to sort dates, assuming the first two digits are 19. Consequently, dates cannot be sorted in correct order nowadays. Check with your software manufacturer to refer to if any updates are available. Many software manufacturers make updates available from the World Wide Web.

Some application programs do not work as expected.

Solutions:

1. Check whether the problem is caused by an application program.
 - a. Ensure that the software is compatible with your computer. Refer to the information supplied with the software for more information.
 - b. Verify that other software works properly on your computer.
 - c. Verify that the software you are using works on another computer.
2. If the problem is caused by an application program:
 - Refer to the printed documentation that comes with the program or the help system of the program for troubleshooting information.
 - Update the program. Refer to “Keeping your computer current” on page 56.
 - Uninstall the program and then reinstall it. To download a program that is preinstalled on your computer, go to <http://www.lenovo.com/support> and follow the instructions on the screen.

A device does not work properly due to device driver problems.

Solution:

Update the device driver. Refer to “Keeping your computer current” on page 56.

Diagnostics

Note: If you are using a Windows operating system other than Windows 7 or Windows 10, go to <http://www.lenovo.com/diags> for the diagnostics information for your computer.

The diagnostic program is used to test hardware components of your computer. The diagnostic program also can report operating-system-controlled settings that interfere with the correct operation of your computer.

Diagnostic programs

Your computer comes with the following diagnostic programs that you can use to help you identify hardware problems.

Lenovo Solution Center

Lenovo Solution Center enables you to troubleshoot and resolve computer problems. It combines diagnostic tests, system information collection, security status, and support information, along with hints and tips for maximum system performance.

ThinkStation Diagnostics

ThinkStation Diagnostics is preinstalled on your computer and also is available for download at:
<http://www.lenovo.com/diags>

Note: If you install Windows 7 by yourself, ensure that ThinkStation Diagnostics is installed after Lenovo Solution Center if both programs are needed on the same computer.

ThinkStation Diagnostics enables you to troubleshoot and resolve computer problems. The program notifies you of any issues detected by the real-time hardware diagnostic monitoring function. The program also provides the details of the issue, analyzes possible causes, and provides solutions.

To open the Lenovo Solution Center program or the ThinkStation Diagnostics program, see “Accessing a program on your computer” on page 43.

For more information about using Lenovo Solution Center and ThinkStation Diagnostics, refer to the help system of the program.

If you are unable to isolate and repair the problem yourself after running Lenovo Solution Center or ThinkStation Diagnostics, save and print the log files created by the program. You might need the log files when you speak to a Lenovo technical support representative.

Hardware diagnostics

Your computer supports the hardware diagnostics function. This function enables your computer to monitor some hardware components in real time for potential issues that might not be easily detectable during normal use. When the computer detects an issue or error, the four-digit diagnostic display on the front of the computer displays text and a numerical error code. Refer to “Front view” on page 27.

For information about the issue or error, do the following:

1. Connect either of the following devices to the diagnostic USB connector on the front of the computer:
 - A USB key
 - An Android™ device with the Lenovo Workstation Diagnostics app installed

Refer to “Front view” on page 27.

2. Wait about 10 to 15 seconds for the diagnostic data to transfer from the computer to the USB device. During the data transfer, the four-digit diagnostic display displays “File Copy”. When the data transfer finishes, the four-digit diagnostic display displays “File Copy Done”.

Note: Diagnostic data is available for transfer through the diagnostic USB connector only when text and a numerical error code is displayed on the four-digit diagnostic display. In normal conditions, the diagnostic USB connector functions as a standard USB 3.0 connector.

3. Depending on whether you are using a USB key or an Android device (such as a smartphone), do one of the following:
 - If you are using a USB key, go to http://support.lenovo.com/workstation_diagnostics for information about how to read the error data on the USB key.
 - If you are using an Android device with the Lenovo Workstation Diagnostics app installed, open the application for details about the error. For more information about the Lenovo Workstation Diagnostics app, go to:
<http://www.thinkworkstationsoftware.com/diags.html>

For more information about how to use the diagnostic USB connector on your computer, decipher the error codes, or use the Lenovo Workstation Diagnostics app, go to:
<http://www.thinkworkstationsoftware.com/diags.html>

The hardware diagnostic function is enabled on your computer by default. To disable the function, do the following:

1. Start the Setup Utility program. Refer to “Starting the Setup Utility program” on page 65.
2. From the Setup Utility program main menu, select **Advanced** → **Diagnostics**, and then press Enter.
3. Select **Real-time Diagnostics Monitoring** and press Enter. Then select **Disabled** and press Enter.
4. Press F10 to save changes and exit the Setup Utility program.

UEFI diagnostic program

A UEFI diagnostic program is preinstalled on the computer. It enables you to test memory modules and internal storage devices, view system information, and check and recover bad sectors on internal storage devices.

To run the UEFI diagnostic program, do the following:

1. Turn on the computer. If the computer cannot be turned on, go to “Basic procedure for resolving computer problems” on page 79. If an error code is displayed, go to “Symptom-to-FRU index” on page 94 for error code descriptions and troubleshooting hints.
2. Repeatedly press and release the F10 key when turning on the computer. The main screen of the UEFI diagnostic program is displayed.
3. Follow the instructions on the screen to use the diagnostic program.

The options on the main screen are as follows:

Table 1. Items on the main screen of the UEFI diagnostic program

DIAGNOSTICS	TOOLS
<ul style="list-style-type: none"> • LCD test • Memory - Quick test • Memory - Extended test • Motherboard test • PCI-e test • Storage - Quick test 	<ul style="list-style-type: none"> • System information • Recover bad sectors tool • Generate configuration file • Execute from configuration file • Exit application

Recovery information

This section provides instructions on how to recover your operating system.

Note: If a device does not work normally after recovering the operating system, update the device driver. Refer to “Keeping your computer current” on page 56.

Recovery information for Windows 7

To recover your Windows 7 operating system, use the following solutions:

- Use Windows recovery solutions.
 - Use System Restore to restore system files and settings to an earlier point.
 1. Click the Start button to open the Start menu.
 2. Click **Control Panel**. View Control Panel by Large icons or Small icons, and then click **Recovery** → **Open System Restore**.
 3. Follow the instructions on the screen.

- Use the Windows recovery environment by doing one of the following:
 - After several consecutive failed boot attempts, the Windows recovery environment might start automatically. Follow the instructions on the screen to choose the appropriate recovery solution.
 - Turn on or restart your computer. Then, repeatedly press and release F8 or Fn+F8 (depending on the keyboard settings) until the Advanced Boot Options window opens. Select **Repair Your Computer**, press Enter, and follow the instructions on the screen to choose the appropriate recovery solution.
- Use the recovery medium you created earlier with the Recovery Media Creator program to restore only the C drive or the entire storage drive to the factory-default settings.
 1. Select the recovery medium as the startup device. See “Selecting a temporary startup device” on page 70.
 2. Follow the instructions on the screen to choose the appropriate recovery solution.
- Use the recovery disc set provided by Lenovo to restore the entire storage drive to the factory-default settings.
 - If your computer comes with the recovery disc set, follow the instructions shipped with the disc set.
 - If your computer does not come with the recovery disc set, contact the Lenovo Customer Support Center to order a recovery disc set. See “Calling for service” on page 216.

Recovery information for Windows 10

To recover your Windows 10 operating system, use the following solutions:

- Use Windows recovery solutions.
 - Use recovery solutions in Windows Settings.
 1. Click the Start button to open the Start menu.
 2. Click **Settings → Update & security → Recovery**.
 3. Choose the appropriate recovery solution by following the instructions on the screen.
 - Use System Restore to restore system files and settings to an earlier point.
 1. Click the Start button to open the Start menu.
 2. Click **Windows System → Control Panel**.
 3. View Control Panel by Large icons or Small icons, and then click **Recovery → Open System Restore**.
 4. Follow the instructions on the screen.
 - Use the File History tool to restore your files from a backup.

Note: If you use the File History tool to restore your files from a backup, ensure that you backed up your data earlier with the tool.

1. Click the Start button to open the Start menu.
 2. Click **Windows System → Control Panel**.
 3. View Control Panel by Large icons or Small icons, and then click **File History → Restore personal files**.
 4. Follow the instructions on the screen.
- Use the Windows recovery environment by doing one of the following:
 - After several consecutive failed boot attempts, the Windows recovery environment might start automatically. Follow the instructions on the screen to choose the appropriate recovery solution.

- Select the recovery medium you created earlier with the Windows tool as the startup device. Refer to “Selecting a temporary startup device” on page 70. Then, follow the instructions on the screen to choose the appropriate recovery solution.

Note: To create a recovery medium, refer to “Good maintenance practices” on page 56.

- Use the recovery USB key provided by Lenovo to restore the entire storage drive to the factory-default settings.
 - If your computer comes with the recovery USB key, follow the instructions shipped with the USB key.
 - If your computer does not come with the recovery USB key, contact the Lenovo Customer Support Center to order a recovery USB key. Refer to “Calling for service” on page 216.

Chapter 8. Service checkout and symptom-to-FRU index

This chapter provides information about general service checkout and symptom-to-FRU index.

Service checkout

Attention: The drives in the computer you are servicing might have been rearranged or the drive startup sequence changed. Be extremely careful during write operations such as copying, saving, or formatting. Data or programs can be overwritten if you select an incorrect drive.

General error messages appear if a problem or conflict is found by an application program, the operating system, or both. For an explanation of these messages, refer to the information supplied with that software package.

Before replacing any FRUs, ensure that the latest level of BIOS is installed on the system. A down-level BIOS might cause false errors and unnecessary replacement of the system board. For more information on how to determine and obtain the latest level BIOS, see “BIOS levels” on page 70.

Use the following procedure to help determine the cause of the problem:

1. Power-off the computer and all external devices.
2. Check all cables and power cords.
3. Set all display controls to the middle position.
4. Power-on all external devices.
5. Power-on the computer.
 - Look for displayed error codes
 - Listen for beep codes
 - Look for readable instructions or a main menu on the display.If you *did not* receive the correct response, proceed to step 6 on page 93.
If you *do* receive the correct response, proceed to step 7 on page 93.
6. Look at the following conditions and follow the instructions:
 - If you hear beep codes during POST, go to “Beep symptoms” on page 95.
 - If the computer displays a POST error, go to “POST error codes” on page 96.
 - If the computer hangs and no error is displayed, continue at step 7 on page 93.
7. Run the Diagnostic programs. See “Diagnostics” on page 87.
 - If you receive an error, replace the part that the diagnostic program calls out.
 - If the test stops and you cannot continue, replace the last device tested.

Problem determination tips

Due to the variety of hardware and software combinations that can be encountered, use the following information to assist you in problem determination. If possible, have this information available when requesting assistance from Service Support and Engineering functions.

- Machine type and model
- Processor or hard disk drive upgrades
- Failure symptom
 - Do diagnostics indicate a failure?

- What, when, where, single, or multiple systems?
- Is the failure repeatable?
- Has this configuration ever worked?
- If it has been working, what changes were made prior to its failing?
- Is this the original reported failure?
- Diagnostics version
 - Type and version level
- Hardware configuration
 - Print (print screen) configuration currently in use
 - BIOS level
- Operating system software
 - Type and version level

Notes: To eliminate confusion, identical systems are considered identical only if they:

1. Are the exact machine type and models
2. Have the same BIOS level
3. Have the same adapters/attachments in the same locations
4. Have the same address jumpers/terminators/cabling
5. Have the same software versions and levels
6. Have the same Diagnostic Diskettes (version)
7. Have the same configuration options set in the system
8. Have the same setup for the operating system control files

Comparing the configuration and software set-up between “working and non-working” systems will often lead to problem resolution.

Symptom-to-FRU index

The Symptom-to-FRU index lists error symptoms and possible causes. The most likely cause is listed first. Always begin with “Undetermined problems” on page 93. This index can also be used to help you decide which FRUs to have available when servicing a computer. If you are unable to correct the problem using this index, go to “Undetermined problems” on page 99.

Notes:

- The Symptom-to-FRU index is not specific to any machine type and are applicable to all ThinkStation computers.
- If you have both an error message and an incorrect audio response, diagnose the error message first.
- If you cannot run the diagnostic tests or you get a diagnostic error code when running a test, but did receive a POST error message, diagnose the POST error message first.
- If you did not receive any error message, look for a description of your error symptoms in the first part of this index.

Hard disk drive boot error

A hard disk drive boot error can have the following causes.

Error	FRU/Action
The start-up drive is not in the boot sequence in configuration.	Check the configuration and ensure the start-up drive is in the boot sequence.
No operating system installed on the boot drive.	Install an operating system on the boot drive.
The boot sector on the startup drive is corrupted.	The drive must be formatted. Do the following: <ol style="list-style-type: none"> 1. Attempt to back up the data on the failing hard disk drive. 2. Using the operating system programs, format the hard disk drive.
The drive is defective.	Replace the hard disk drive.

Power supply problems

If you suspect a power problem, use the following procedures.

Check/Verify	FRU/Action
Check the following for proper installation. <ul style="list-style-type: none"> • Power cord • On/Off switch connector • On/Off switch power supply connector • System board power supply connectors • Microprocessor connection 	Reseat connectors
Check the power cord for continuity.	Power cord
Check the power-on switch for continuity.	Power-on switch

Beep symptoms

Beep symptoms are tones or a series of tones separated by pauses (intervals without sound) during POST.

The following table describes the beep symptoms.

Beep symptom	FRU/Action
2 short beeps: common POST error	Common POST error code. See the detailed failure information in "POST error codes" on page 96.
3 short and 1 long beeps: DRAM memory error	Perform the following actions in order: <ol style="list-style-type: none"> 1. Make sure that the memory modules are properly seated in the memory slots. 2. Replace the memory modules. 3. Replace the system board (for trained service personnel only).

Beep symptom	FRU/Action
4 long beeps: insufficient shadow RAM resources for option ROM (error code: 8998) or PCIe/PCI MMIO (memory mapped input/output) resources (error code: 8999)	See the detailed failure information in “POST error codes” on page 96.
2 long and 3 short beeps: graphic card error	Perform the following actions in order: <ol style="list-style-type: none"> 1. Make sure that the graphic cards are properly seated in the slots. 2. Replace the graphic cards. 3. Replace the system board (for trained service personnel only).

POST error codes

Each time you power on the system, it performs a series of tests that check the operation of the system and some options. This series of tests are called the *Power-On Self-Test*, or *POST*. POST checks the following operations:

- Some basic system-board operations
- Memory operation
- Video operation
- Whether the boot drive is working

If the POST detects a problem, an error message appears on the screen. A single problem might cause several error messages to appear. When you correct the cause of the first error message, the other error messages probably will not appear on the screen the next time.

Error code	POST error message	Description/Action
0135	CPU fan failure System fan failure Power fan failure Front fan failure Rear fan failure Auxiliary fan failure ODD fan failure	This error message is displayed when a fan fails and the system might be overheating. Press F10 to exit.
0211	Keyboard not found	This error message is displayed when no keyboard is detected.
0164	Memory size decreased	This error message is displayed when the memory size is decreased. Press F10 to exit.
1762	SATA device configuration change has occurred	This error message is displayed when a hard disk drive change or an optical drive change has been made. Press F10 to exit.

Error code	POST error message	Description/Action
1820	More than one external fingerprint reader is attached. Power off and remove all but the reader that you set up within your main operating system.	This error message is displayed when more than one external fingerprint reader is connected to the computer. Power off and remove all but the reader that you set up within your main operating system.
1962	No operating system found. Boot sequence will automatically repeat.	This error occurs only after the POST is completed. Press any key to repeat boot sequence.
8998	Not enough shadow RAM resources for OPTION ROM, not all devices initialized. Suggest to remove some add-on cards, or change to UEFI mode in BIOS setup.	This error message is displayed when the shadow RAM resources for option ROM are insufficient. If the legacy option ROM is insufficient, remove some add-in cards. For the system that supports UEFI, set UEFI as the first priority or disable CSM in BIOS setup.
8999	Not enough PCIe/PCI MMIO resources. Currently only one video card is enabled. Please remove some PCIe cards, or enter BIOS Setup and enable "Above 4GB Decode"	This error message is displayed when the PCIe/PCI MMIO (memory mapped input/output) resources are insufficient. For the 32-bit operating system, remove some add-in cards. For the 64-bit operating system, enable Above 4 GB Decode in BIOS setup.

Miscellaneous error conditions

Message/Symptom	FRU/Action
Changing display colors	Display/Monitor
Computer will <i>not</i> power-off. See "Hard disk drive boot error" on page 94.	<ol style="list-style-type: none"> 1. Power Switch 2. System Board 3. Riser card, if installed.
Computer will <i>not</i> RPL from server	<ol style="list-style-type: none"> 1. Ensure that network is in startup sequence as first device or first device after diskette. 2. Ensure that network adapter is enabled for RPL. 3. Network adapter (Advise network administrator of new MAC address)

Message/Symptom	FRU/Action
Computer will <i>not</i> perform a Wake On LAN® (if applicable)	<ol style="list-style-type: none"> 1. Check power supply and signal cable connections to network adapter. 2. Ensure that the operating system settings are set to enable Wake on LAN. 3. Ensure Wake On LAN feature is enabled in Setup/Configuration (see Starting the Setup Utility program) 4. Ensure network administrator is using correct MAC address. 5. Ensure no interrupt or I/O address conflicts. 6. Network adapter (advise network administrator of new MAC address)
Dead computer. See “Hard disk drive boot error” on page 94.	<ol style="list-style-type: none"> 1. Power Supply 2. System Board
Diskette drive in-use light remains on or does not light when drive is active.	<ol style="list-style-type: none"> 1. Diskette Drive 2. System Board 3. Diskette Drive Cable
Blank screen except for flashing cursor.	<ol style="list-style-type: none"> 1. System Board 2. Primary Hard Disk Drive 3. Hard Disk Drive Cable
Incorrect memory size during POST	<ol style="list-style-type: none"> 1. Run the Memory tests. 2. Memory Module 3. System Board
"Insert a Diskette" icon appears with a known-good diagnostics diskette in the first 3.5-inch diskette drive.	<ol style="list-style-type: none"> 1. System Board 2. Diskette Drive Cable 3. Network Adapter
Intensity or color varies from left to right of characters and color bars	<ol style="list-style-type: none"> 1. Display 2. Video adapter (if present) 3. System Board
No power or fan not running	<ol style="list-style-type: none"> 1. See “Hard disk drive boot error” on page 94.
Non-system disk or disk error-type message with a known-good diagnostic diskette.	<ol style="list-style-type: none"> 1. Diskette Drive 2. System Board 3. Diskette Drive Cable
Other display symptoms not listed above (including blank or illegible display)	<ol style="list-style-type: none"> 1. Display 2. System Board
Power-on indicator or hard disk drive in-use light not on, but computer works correctly	<ol style="list-style-type: none"> 1. Power switch/LED assembly 2. System Board
Printer problems	<ol style="list-style-type: none"> 1. Printer 2. System Board

Message/Symptom	FRU/Action
Program loads from the hard disk with a known-good diagnostics diskette in the first 3.5-inch diskette drive	<ol style="list-style-type: none"> 1. Run the Setup Utility program and check Startup sequence. 2. Diskette Drive 3. Diskette Drive Cable 4. System Board 5. Power Supply
RPL computer cannot access programs from its own hard disk.	<ol style="list-style-type: none"> 1. If network administrator is using LCCM Hybrid RPL, check startup sequence: <ol style="list-style-type: none"> a. First device - network b. Second device - hard disk 2. Hard disk drive
RPL computer does not RPL from server	<ol style="list-style-type: none"> 1. Check startup sequence. 2. Check the network adapter LED status.
Serial or parallel connector device failure (system board connector)	<ol style="list-style-type: none"> 1. External Device Self-Test OK? 2. External Device 3. Cable 4. System Board
Serial or parallel connector device failure (adapter connector)	<ol style="list-style-type: none"> 1. External Device Self-Test OK? 2. External Device 3. Cable 4. Alternate Adapter 5. System Board
Some or all keys on the keyboard do not work	<ol style="list-style-type: none"> 1. Keyboard 2. Keyboard Cable 3. System Board

Undetermined problems

This section provides instructions on how to find out the failing devices or adapters.

1. Power-off the computer.
2. Remove or disconnect the following components (if installed) one at a time.
 - a. External devices (modem, printer, or mouse)
 - b. Any adapters
 - c. Memory modules
 - d. Extended video memory
 - e. External Cache
 - f. External Cache RAM
 - g. Hard disk drive
 - h. Diskette drive
3. Power-on the computer to re-test the system.
4. Repeat steps 1 through 3 until you find the failing device or adapter.

If all devices and adapters have been removed, and the problem continues, replace the system board. See "System board" on page 209.

Chapter 9. Installing or replacing hardware

This chapter contains the following topics:

- “Handling static-sensitive devices” on page 101
- “Preparing your computer and removing the computer cover” on page 101
- “Installing or replacing hardware” on page 102
- “Completing the parts replacement” on page 213

Handling static-sensitive devices

Do not open the static-protective package containing the new part until the defective part has been removed and you are ready to install the new part. Static electricity, although harmless to you, can seriously damage computer components and options.

When you handle options and other computer components, take these precautions to avoid static-electricity damage:

- Limit your movement. Movement can cause static electricity to build up around you.
- Always handle options and other computer components carefully. Handle PCI/PCI-Express cards, memory modules, system boards, and microprocessors by the edges. Never touch any exposed circuitry.
- Prevent others from touching the options and other computer components.
- Touch the static-protective package containing the part to a metal expansion-slot cover or other unpainted metal surface on the computer for at least two seconds. This reduces static electricity from the package and your body before you install or replace a new part.
- When possible, remove the new part from the static-protective package, and install it directly in the computer without setting the part down. When this is not possible, place the static-protective package on a smooth, level surface and place the part on the package.
- Do not place the part on the computer cover or other metal surface.

Preparing your computer and removing the computer cover

Attention: Do not open your computer or attempt any repair before reading and understanding the Chapter 1 “Read this first: Important safety information” on page 1.

CAUTION:



Before you open the computer cover, turn off the computer and wait several minutes until the computer is cool.

Before installing or removing any hardware component in your computer, do the following to prepare your computer and remove the computer cover:

1. Remove any media from the drives and turn off all connected devices and the computer. Then, disconnect all power cords from electrical outlets and disconnect all cables that are connected to the computer.
2. Unlock any locking device that secures the computer cover. See “Locking your computer” on page 59.

3. Press the pit **1** so that the handle **2** is lifted. Then, pivot the handle to the left as shown and pull the handle to remove the cover from the chassis.

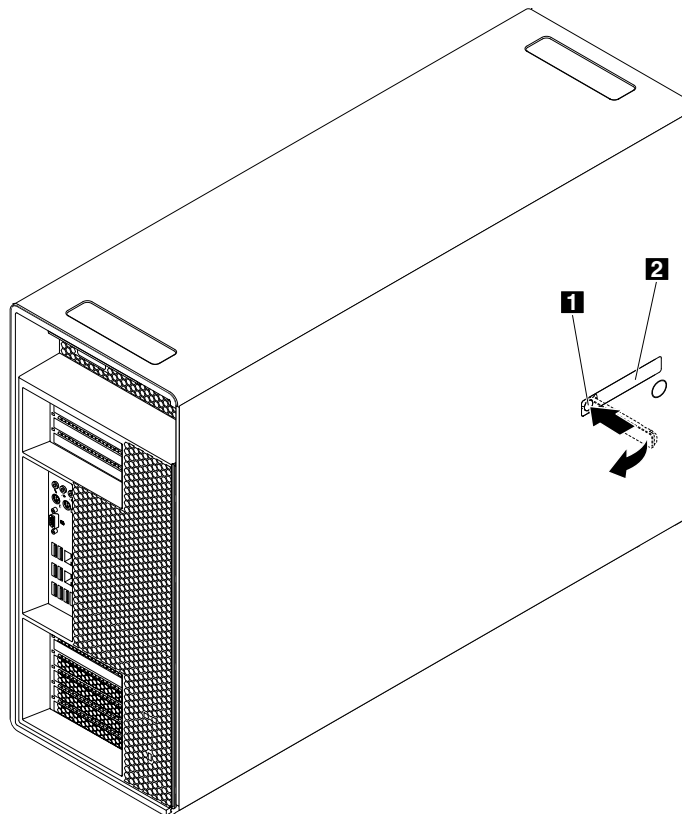


Figure 10. Removing the computer cover

Installing or replacing hardware

This section provides instructions on how to install or replace hardware for your computer. You can expand the capabilities of your computer and maintain your computer by installing or replacing hardware.

Attention: Do not open your computer or attempt any repair before reading and understanding the Chapter 1 “Read this first: Important safety information” on page 1.

Notes:

- Depending on your computer model, some of the hardware parts in this section might not be available.
- Use computer parts provided only by Lenovo.
- When installing or replacing an option, use the appropriate instructions in this section along with the instructions that come with the option.
- In most areas of the world, Lenovo requires the return of the defective CRU. Information about this will come with the CRU or will come a few days after the CRU arrives.

External options

You can connect external options to your computer, such as external speakers, a printer, or a scanner. For some external options, you must install additional software in addition to making the physical connection. When installing an external option, see “Front view” on page 27 and “Rear view” on page 29 to identify the

required connector. Then, use the instructions that come with the option to help you make the connection and install any required software or device drivers.

Cover presence switch (intrusion switch)

Attention: Do not open your computer or attempt any repair before reading and understanding the Chapter 1 “Read this first: Important safety information” on page 1.

To replace the cover presence switch (also known as intrusion switch), do the following:

1. Prepare your computer. See “Preparing your computer and removing the computer cover” on page 101.
2. Lay the computer on its side for easier access to the cover presence switch bracket.
3. Locate the cover presence switch bracket. See “Computer components” on page 32.
4. Note the routing of the cover presence switch cable, and then disconnect the cover presence switch cable from the system board. See “Parts on the system board” on page 35.
5. Pivot the tab **1** on the cover presence switch bracket to the left as shown. Then, remove the bracket together with the cover presence switch from the chassis.

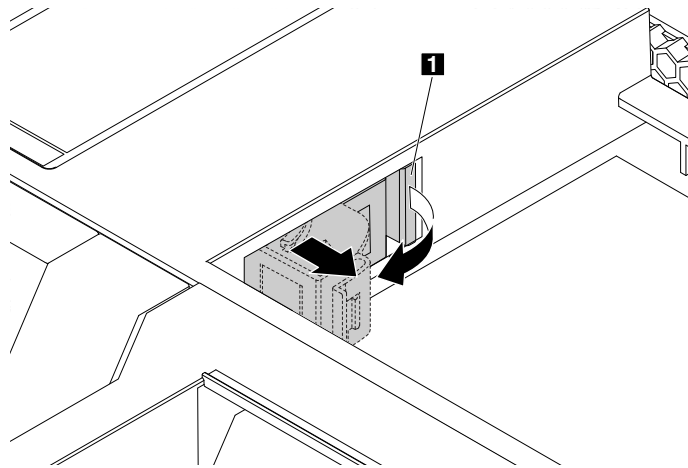


Figure 11. Removing the cover presence switch bracket

- Pivot the clip **1** on the bracket outward, and then disengage the failing cover presence switch from the circle clip **2** to remove it from the bracket.

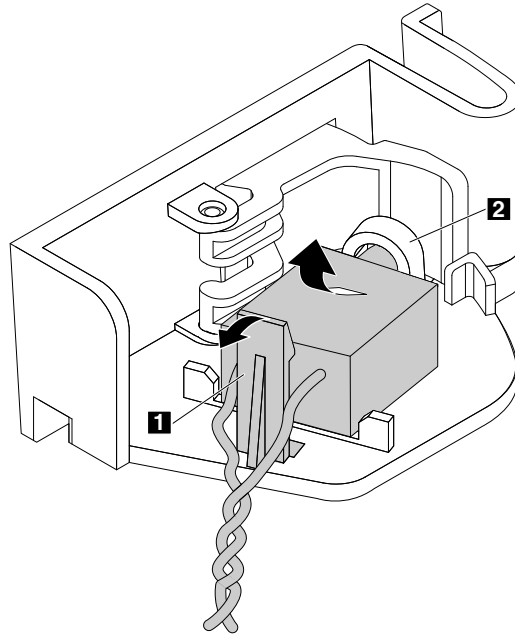


Figure 12. Removing the cover presence switch from the bracket

- Insert the end of the new cover presence switch with the post into the circle clip **2**. Ensure that the clip **1** is placed between the two branched cables of the new cover presence switch. Then, press the cover presence switch downward until it snaps into position.

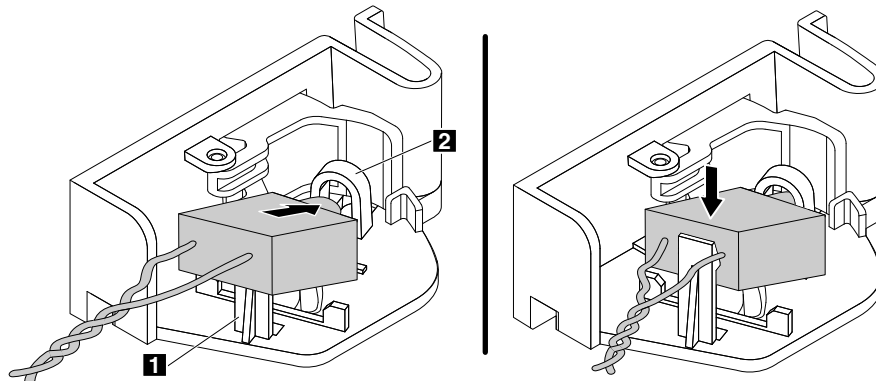


Figure 13. Installing the cover presence switch into the bracket

8. Route the cable of the new cover presence switch, and align the notch **2** on the cover presence switch with the tab **1** in the chassis. Then pivot the cover presence switch bracket to the right as shown until it snaps into position.

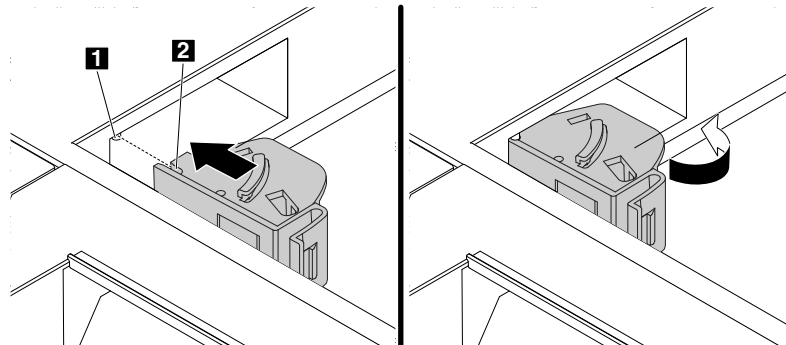


Figure 14. Installing the cover presence switch bracket

9. Connect the cable of the new cover presence switch to the system board. See “Parts on the system board” on page 35.

What to do next:

- To work with another piece of hardware, go to the appropriate section.
- To complete the installation or replacement, go to “Completing the parts replacement” on page 213.

Direct cooling air baffle

Attention: Do not open your computer or attempt any repair before reading and understanding the Chapter 1 “Read this first: Important safety information” on page 1.

To remove the direct cooling air baffle, do the following:

1. Prepare your computer. See “Preparing your computer and removing the computer cover” on page 101.

2. Pull the direct cooling air baffle outward by its handle **1** to remove it from the chassis.

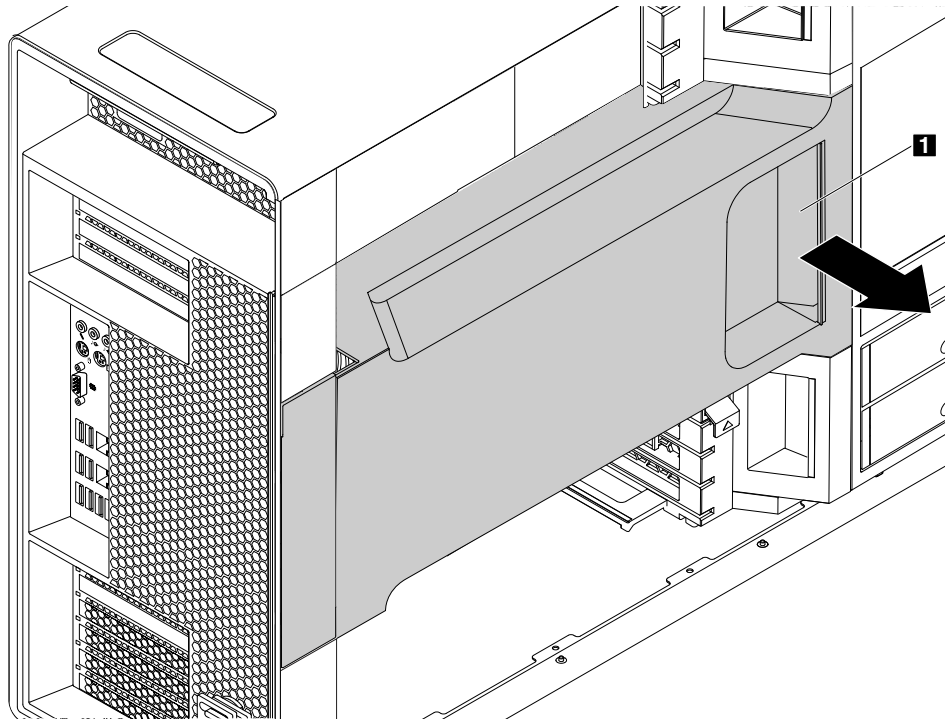


Figure 15. Removing the direct cooling air baffle

To reinstall the direct cooling air baffle, do the following:

1. Align the plastic boards on the top and bottom sides of the direct cooling air baffle with the small gaps **1** in the chassis. Ensure that the handle of the direct cooling air baffle faces towards the front of the chassis.

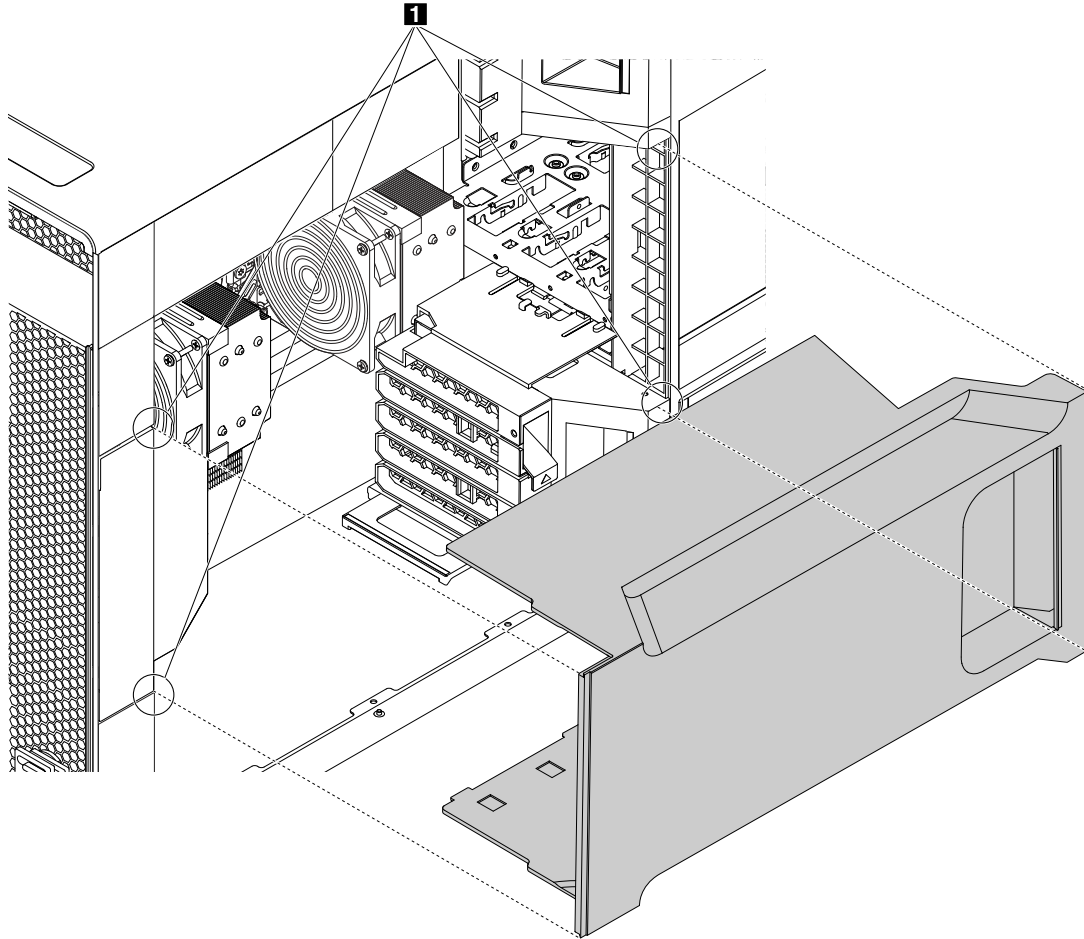


Figure 16. Aligning the plastic boards with the small gaps

2. Slide the direct cooling air baffle into the chassis until it is secured firmly.

Note: If necessary, adjust the position of the direct cooling air baffle slightly to avoid any interference with other components in the chassis.

What to do next:

- To work with another piece of hardware, go to the appropriate section.
- To complete the installation or replacement, go to “Completing the parts replacement” on page 213.

Device in an optical-drive bay

Attention: Do not open your computer or attempt any repair before reading and understanding the Chapter 1 “Read this first: Important safety information” on page 1.

Depending on your computer model, the following devices might be installed in the optical-drive bays:

- Optical drive
- Flex module

Note: The flex module might be installed with the following:

- IEEE 1394 connector
- eSATA connector
- 29-in-1 card reader
- Slim optical drive
- Front Thunderbolt adapter kit
- Flex bay storage enclosure
- Front-access storage enclosure
- Multi-drive conversion kit
- Slim-optical-drive adapter

To remove and install a flex module or a flex bay storage enclosure, follow the steps of removing and installing an optical drive.

To remove an optical drive, do the following:

1. Prepare your computer. See “Preparing your computer and removing the computer cover” on page 101.
2. Remove the direct cooling air baffle. See “Direct cooling air baffle” on page 105.
3. Locate the optical-drive bay from which you want to remove an optical drive. See “Internal drives” on page 37.
4. Disconnect the cables from the optical drive.

Note: If you remove a flex module or a flex bay storage enclosure, you might need to disconnect the cables from the device, a PCI card, or the system board. See “Parts on the system board” on page 35.

5. Press the tab **1** downward and push the optical drive to the front of the chassis. Then, remove the optical drive from the front of the chassis.

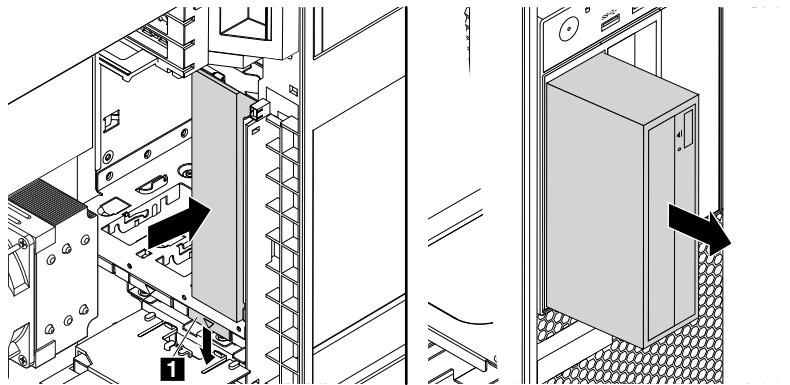


Figure 17. Removing the optical drive

To install an optical drive, do the following:

1. Prepare your computer. See “Preparing your computer and removing the computer cover” on page 101.
2. Remove the direct cooling air baffle. See “Direct cooling air baffle” on page 105.
3. Locate the optical-drive bay into which you want to install an optical drive. See “Internal drives” on page 37.

4. Press the clip underneath the plastic cover of the optical-drive bay so that the cover is ejected out of the bay. Then, remove the metal shield in the bay.
5. Note the orientation of the new optical drive. Then, slide the optical drive into the optical-drive bay from the front of the chassis until it snaps into position.

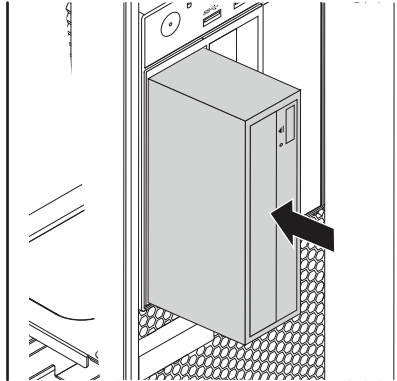


Figure 18. Installing the optical drive

6. Connect the cables to the optical drive.

Note: If you install a flex module or a flex bay storage enclosure, you might need to connect the cables to the device, a PCI card, or the system board. See “Parts on the system board” on page 35.

7. Reinstall the direct cooling air baffle. See “Direct cooling air baffle” on page 105.

What to do next:

- To work with another piece of hardware, go to the appropriate section.
- To complete the installation or replacement, go to “Completing the parts replacement” on page 213.

Storage drive in the front-access storage enclosure

Attention: Do not open your computer or attempt any repair before reading and understanding the Chapter 1 “Read this first: Important safety information” on page 1.

You can install or replace a storage drive in the front-access storage enclosure. The storage drive also can be hot-swappable, which means that you can install or replace the drive without even turning off your computer.

The storage drive in the front-access storage enclosure is hot-swappable only when the following requirements are met:

- The SATA cable of the front-access storage enclosure is connected to the eSATA connector on the system board. To verify the cable connection, see “Preparing your computer and removing the computer cover” on page 101 and “Parts on the system board” on page 35 for more information.
- The operating system of your computer does not reside on the storage drive installed in the front-access storage enclosure.

Attention: If any of the above requirements are not met, do not install or replace the storage drive when the computer is turned on. Otherwise, data on the storage drive might get damaged.

3.5-inch storage drive

To remove or install a 3.5-inch storage drive, do the following:

1. Before removing an old 3.5-inch storage drive, safely eject the old storage drive from the operating system first. For more information, see the Windows help system.
2. Unlock the enclosure cover with the provided key as shown. Press the notch **a** to open the enclosure cover.

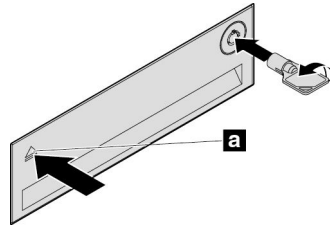


Figure 19. Opening the front-access storage enclosure cover

3. Press the pit on the bracket cover, and then grasp the tilted cover to pull the bracket out of the front-access storage enclosure.

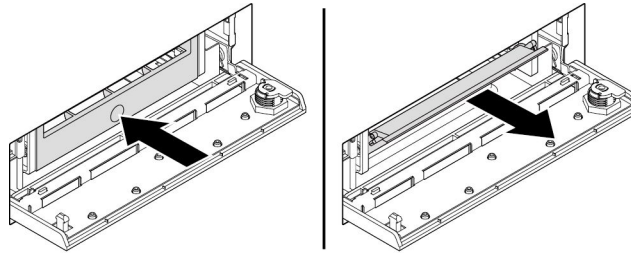


Figure 20. Removing the bracket from the front-access storage enclosure

4. To remove the 3.5-inch storage drive, flex both sides of the bracket to remove the 3.5-inch storage drive from the bracket.

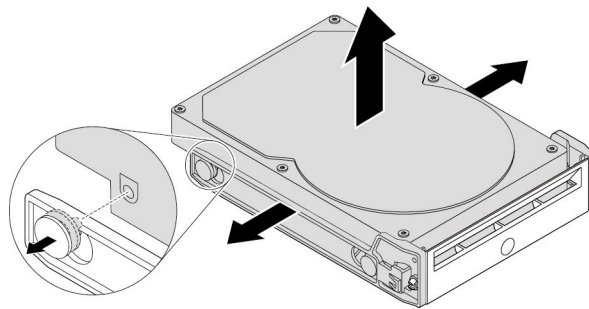


Figure 21. Removing the 3.5-inch storage drive from the bracket

5. To install a new 3.5-inch storage drive, flex both sides of the bracket and align pins **1** on the bracket with the corresponding holes in the new drive.

Notes:

- Ensure that the circuit board faces downward and the connectors face toward the rear of the bracket.
- Do not touch the circuit board on the storage drive during operation.

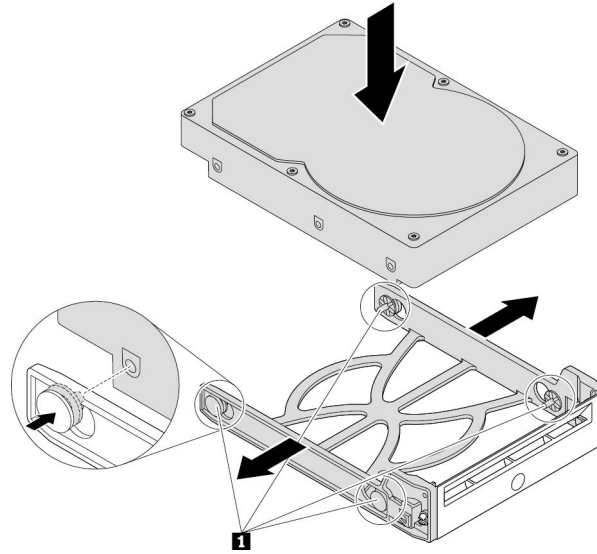


Figure 22. Installing the 3.5-inch storage drive into the bracket

6. Slide the bracket with the new 3.5-inch storage drive into the front-access storage enclosure until it snaps into position. Press the notch to secure the enclosure cover and lock the enclosure cover with the key.

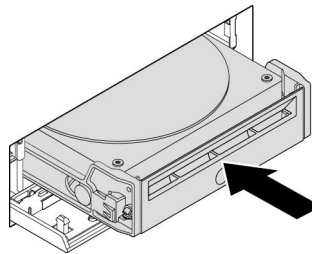


Figure 23. Installing the 3.5-inch storage drive into the front-access storage enclosure

What to do next:

- To work with another piece of hardware, go to the appropriate section.
- To complete the installation or replacement, go to “Completing the parts replacement” on page 213.

2.5-inch storage drive

To remove or install a 2.5-inch storage drive, do the following:

1. Before removing an old 2.5-inch storage drive, safely eject the old storage drive from the operating system first. For more information, see the Windows help system.

2. Unlock the enclosure cover with the provided key as shown. Press the notch **a** to open the enclosure cover.

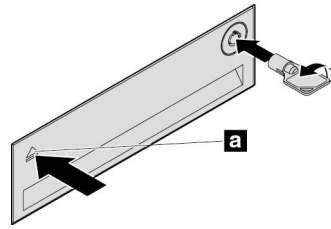


Figure 24. Opening the front-access storage enclosure cover

3. Press the pit on the bracket cover, and then grasp the tilted cover to pull the bracket out of the front-access storage enclosure.

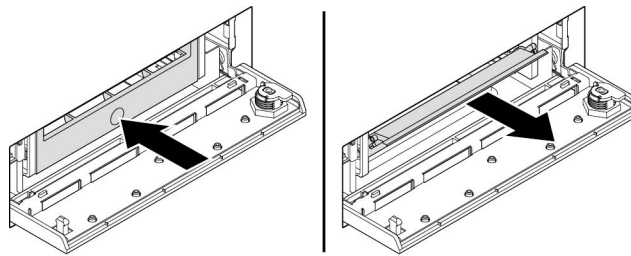


Figure 25. Removing the bracket from the front-access storage enclosure

4. To remove the 2.5-inch storage drive, do the following:
 - a. Flex both sides of the bracket to remove the 2.5-inch storage drive from the bracket.

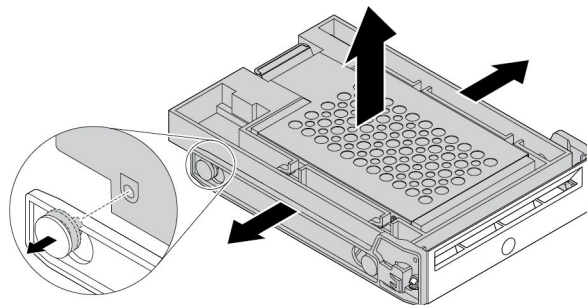


Figure 26. Removing the 2.5-inch storage drive from the bracket

- b. Lift the tab **1** of the metal bracket and push the metal bracket with force as shown. Then slide the bracket and remove it from the plastic frame.

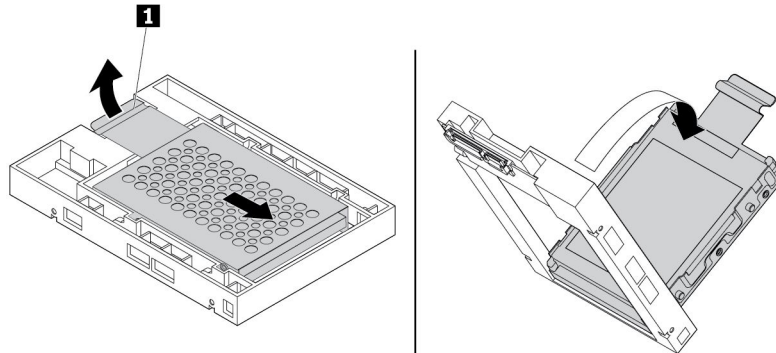


Figure 27. Removing the metal bracket from the plastic frame of the converter

- c. Carefully flex both sides of the metal bracket to remove the storage drive from the bracket.

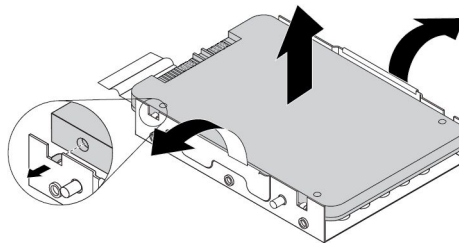


Figure 28. Removing the storage drive from the metal bracket

5. To install a new 2.5-inch storage drive into the front-access storage enclosure, do the following:

- a. Carefully flex both sides of the metal bracket and align the four tabs **1** on the metal bracket with the corresponding holes in the new storage drive.

Note: Ensure that the connectors of the storage drive face toward the tab of the metal bracket.

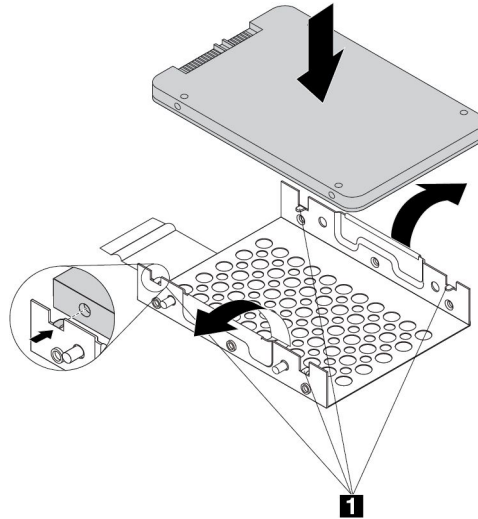


Figure 29. Installing the 2.5-inch storage drive into the metal bracket

- b. Insert the four posts **1** on the metal bracket into the corresponding slots in the plastic frame as shown.

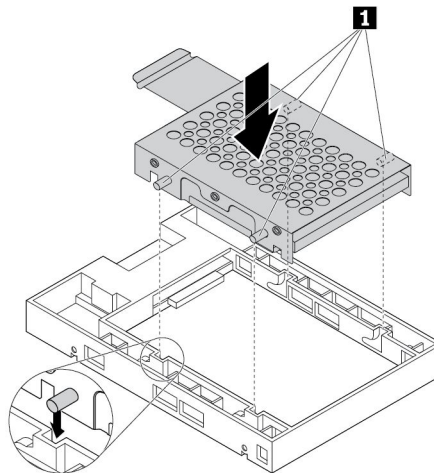


Figure 30. Inserting the metal bracket into the plastic frame of the converter

- c. Push the metal bracket down until the tab **1** is slightly curved. Then, push the bracket with the storage drive forward as shown until the tab **1** snaps into position.

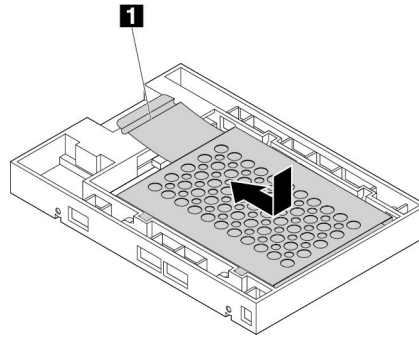


Figure 31. Installing the metal bracket into the plastic frame of the converter

- d. Flex both sides of the plastic bracket and align pins **1** on the plastic bracket with the corresponding holes in the plastic frame of the converter.

Notes:

- Ensure that the circuit board faces downward and the connectors face toward the rear of the bracket.
- Do not touch the circuit board on the storage drive during operation.

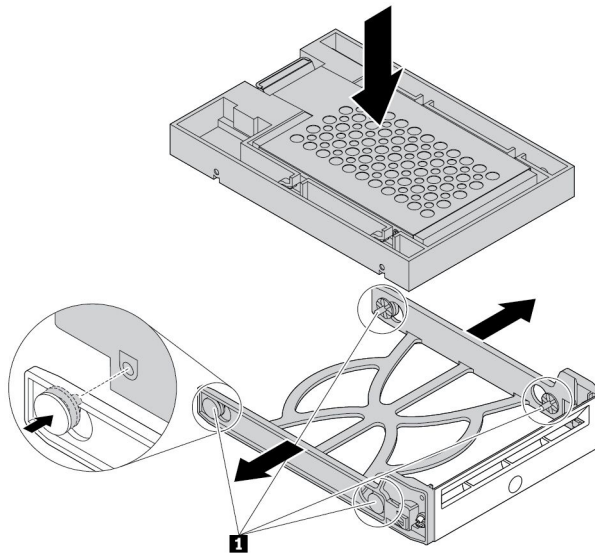


Figure 32. Installing the converter with the 2.5-inch storage drive into the plastic bracket

- Slide the plastic bracket with the new 2.5-inch storage drive into the front-access storage enclosure until it snaps into position. Press the notch to secure the enclosure cover and lock the enclosure cover with the key.

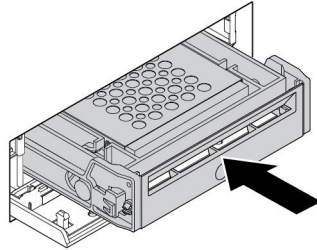


Figure 33. Installing the bracket with the 2.5-inch storage drive into the front-access storage enclosure

What to do next:

- To work with another piece of hardware, go to the appropriate section.
- To complete the installation or replacement, go to “Completing the parts replacement” on page 213.

Device in the Multi-drive Conversion Kit

Attention: Do not open your computer or attempt any repair before reading and understanding the Chapter 1 “Read this first: Important safety information” on page 1.

The Multi-drive Conversion Kit (hereafter referred to as kit) might be equipped with either one or both of the following components:

- Slim optical drive
- Internal storage drive (such as hard disk drive, solid-state drive, or hybrid drive)

Slim optical drive

To install or replace a slim optical drive in the kit, do the following:

Note: The instructions on how to install or replace a slim optical drive in the kit also apply to the Slim Optical Drive Adapter.

- Slide the kit out of the chassis. See “Device in an optical-drive bay” on page 107.
- If you are replacing an old slim optical drive, do the following:

- a. Press the clip through the hole in the top of the kit as shown and push forward the slim optical drive. Then, slide the slim optical drive out of the kit.

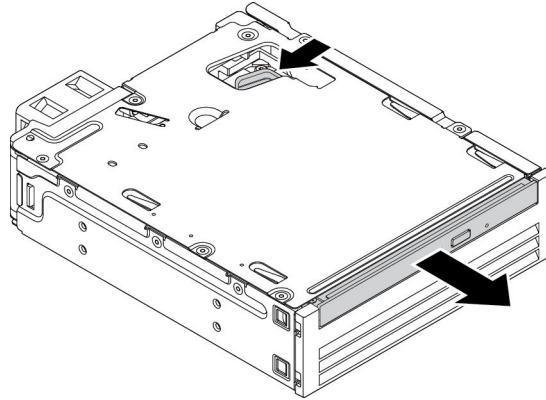


Figure 34. Removing the slim optical drive from the kit

- b. Pull the bracket as shown to remove it from the slim optical drive.

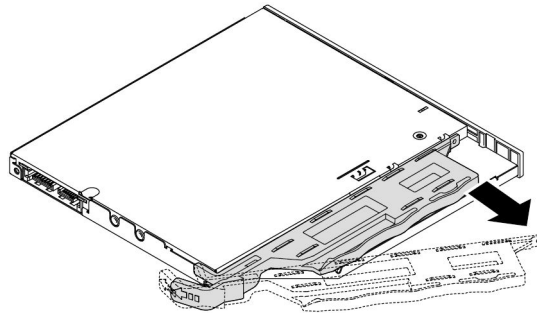


Figure 35. Removing the bracket from the slim optical drive

3. Align the three tabs on the bracket with the corresponding holes in the new slim optical drive and install the bracket to the new slim optical drive.

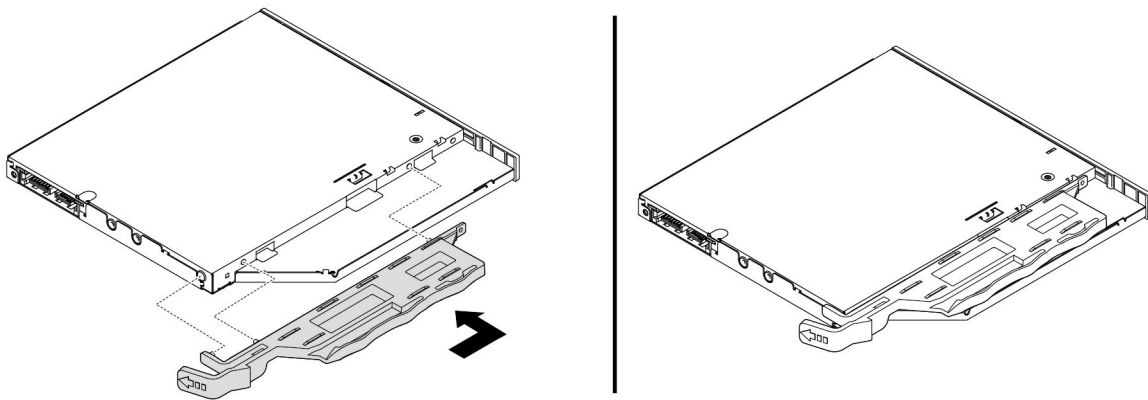


Figure 36. Installing the bracket to the new slim optical drive

4. Insert the new slim optical drive into the kit until you hear a click. The slim optical drive is secured in place.

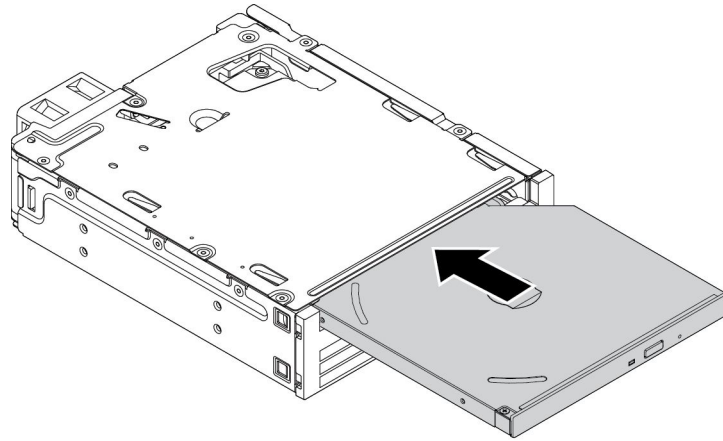


Figure 37. Installing the slim optical drive into the kit

What to do next:

- To work with another piece of hardware, go to the appropriate section.
- To complete the installation or replacement, go to “Completing the parts replacement” on page 213.

3.5-inch internal storage drive

To install or replace a 3.5-inch internal storage drive in the kit, do the following:

1. Slide the kit out of the chassis. See “Device in an optical-drive bay” on page 107.
2. Press the clip as shown to open the rear cover of the kit.

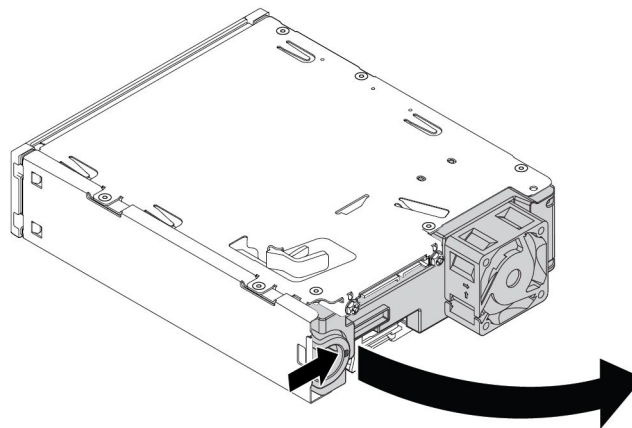


Figure 38. Opening the kit from the rear

3. If you are replacing an old 3.5-inch internal storage drive, do the following:

- a. Press both clips simultaneously toward each other and slide the 3.5-inch internal storage drive out of the rear of the kit.

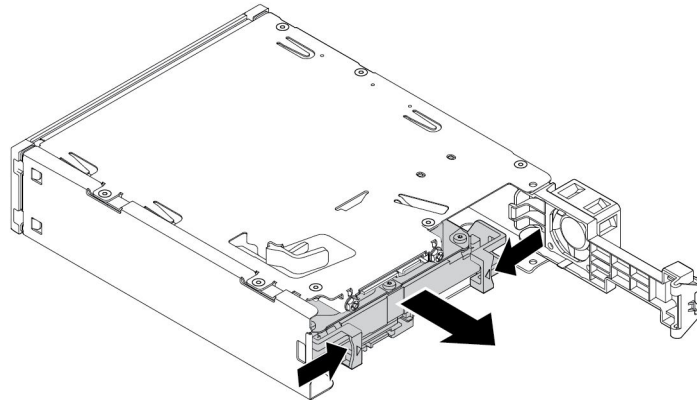


Figure 39. Removing the 3.5-inch internal storage drive from the rear

- b. Flex both sides of the bracket to remove the 3.5-inch internal storage drive from the bracket. Do not touch the circuit board **1** on the internal storage drive.

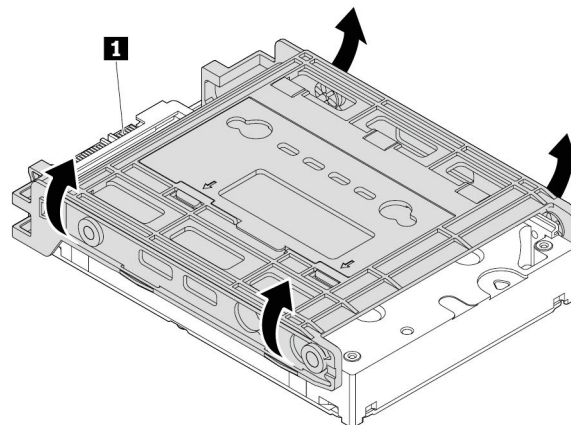


Figure 40. Flexing both sides of the bracket to remove the 3.5-inch internal storage drive

- Flex the bracket and align pins **1**, **2**, **3**, and **4** on the bracket with the corresponding holes in the new 3.5-inch internal storage drive. Then install a new 3.5-inch internal storage drive into the bracket. Do not touch the circuit board **5** on the internal storage drive.

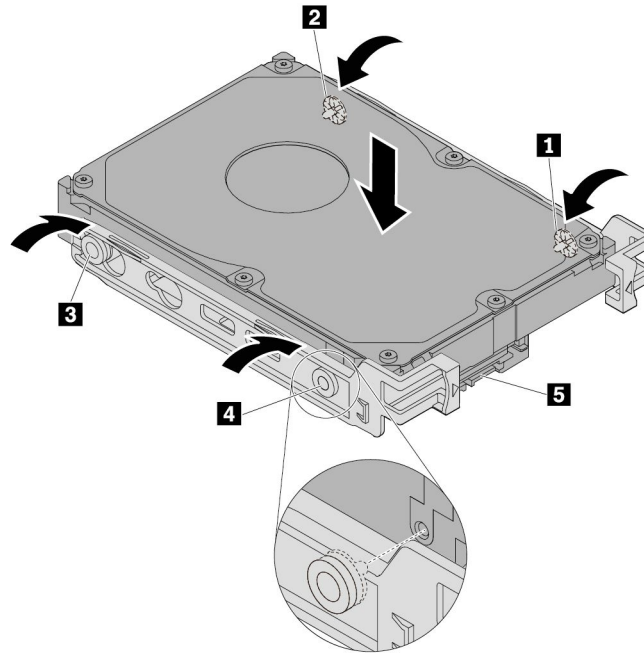


Figure 41. Installing the new 3.5-inch internal storage drive into the bracket

- Slide the new 3.5-inch internal storage drive into the kit from the rear until the internal storage drive snaps into position.

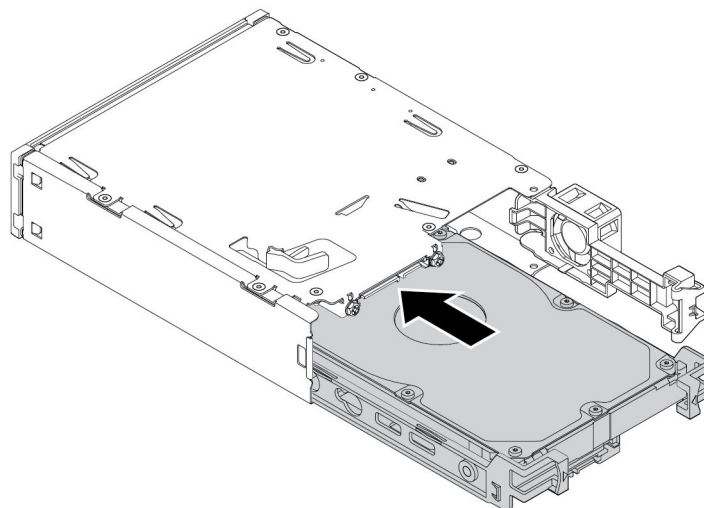


Figure 42. Sliding the new 3.5-inch internal storage drive into the kit

- Pivot the rear cover of the kit inward until you hear a click. The rear cover is secured in place.

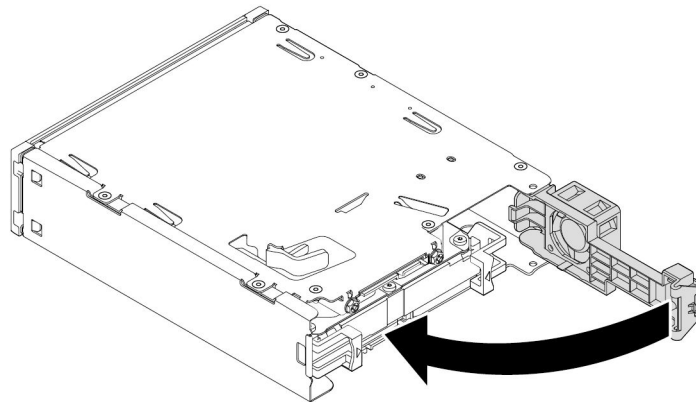


Figure 43. Pivoting the rear cover inward

What to do next:

- To work with another piece of hardware, go to the appropriate section.
- To complete the installation or replacement, go to “Completing the parts replacement” on page 213.

2.5-inch internal storage drive

To install or replace a 2.5-inch internal storage drive in the kit, do the following:

1. Slide the kit out of the chassis. See “Device in an optical-drive bay” on page 107.
2. Press the clip as shown to open the rear cover of the kit.

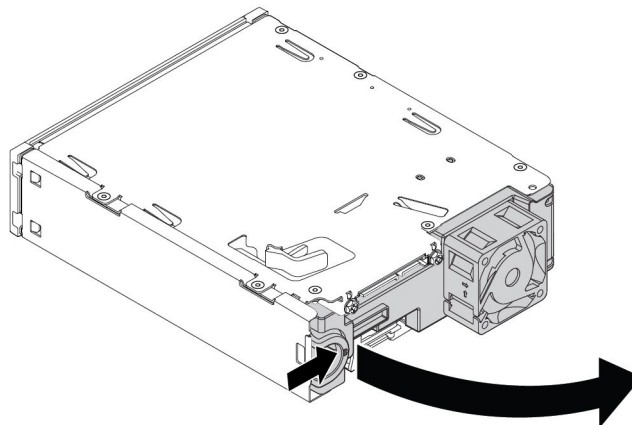


Figure 44. Opening the kit from the rear

3. If you are replacing an old 2.5-inch internal storage drive, do the following:

- a. Press both clips simultaneously toward each other and slide the 2.5-inch internal storage drive out of the rear of the kit.

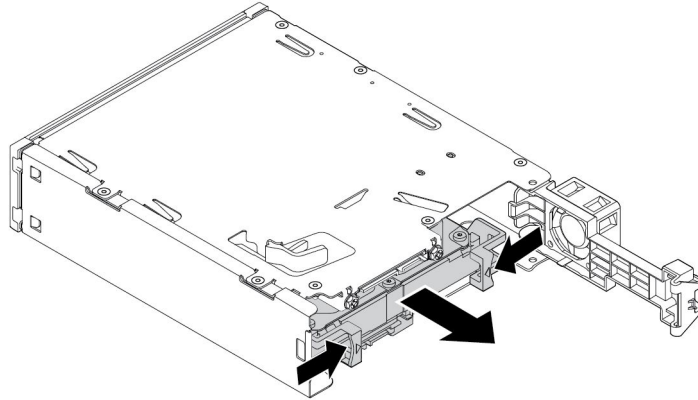


Figure 45. Removing the 2.5-inch internal storage drive from the rear

- b. Flex both sides of the bracket to remove the 2.5-inch internal storage drive from the bracket.

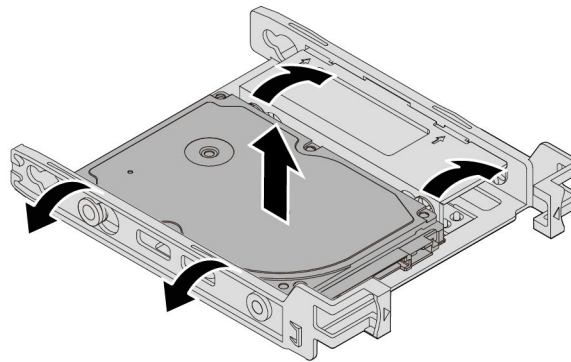


Figure 46. Flexing both sides of the bracket to remove the 2.5-inch internal storage drive

4. Flex the bracket and align pins **1**, **2**, **3**, and **4** on the bracket with the corresponding holes in the new 2.5-inch internal storage drive. Then install a new 2.5-inch internal storage drive into the bracket. Do not touch the circuit board **5** on the internal storage drive.

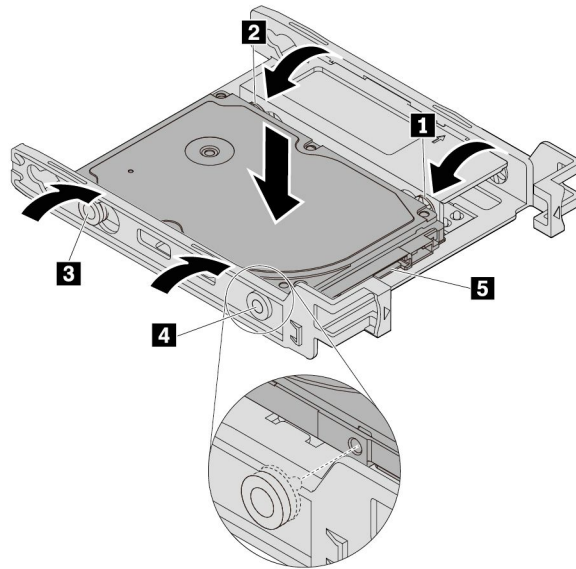


Figure 47. Installing the new 2.5-inch internal storage drive into the bracket

5. Slide the new 2.5-inch internal storage drive into the kit from the rear until the internal storage drive snaps into position.

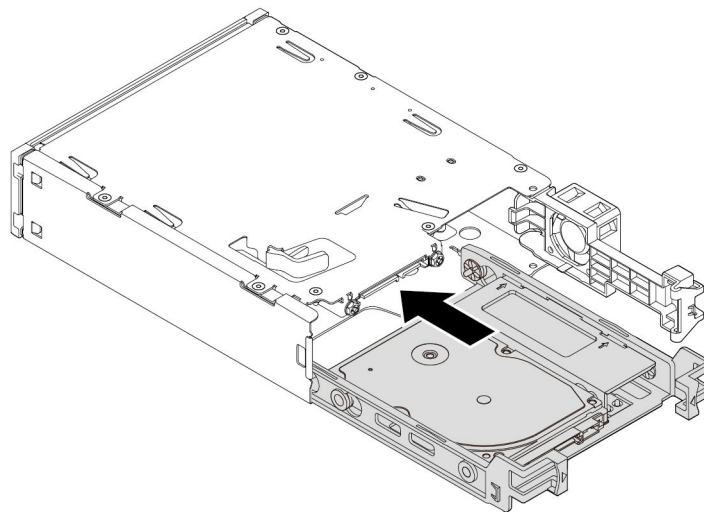


Figure 48. Sliding the new 2.5-inch internal storage drive into the kit

- Pivot the rear cover of the kit inward until you hear a click. The rear cover is secured in place.

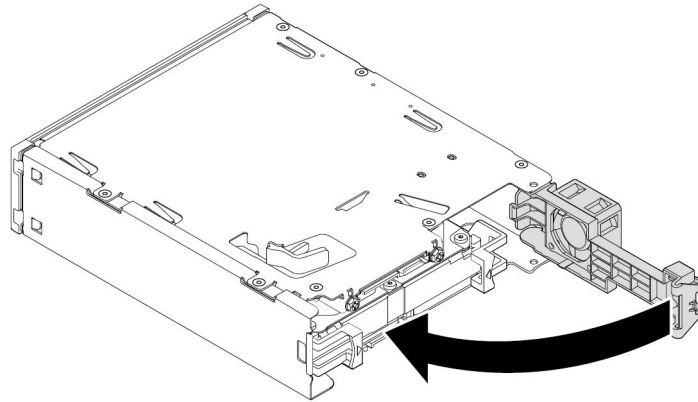


Figure 49. Pivoting the rear cover inward

What to do next:

- To work with another piece of hardware, go to the appropriate section.
- To complete the installation or replacement, go to “Completing the parts replacement” on page 213.

Replacing a 3.5-inch internal storage drive with a 2.5-inch internal storage drive

To replace a 3.5-inch internal storage drive with a 2.5-inch internal storage drive, do the following:

- Ensure that the 3.5-inch internal storage drive is removed from the bracket first. See “3.5-inch internal storage drive” on page 118.
- Remove three pins **1** and install them into slots **2**.

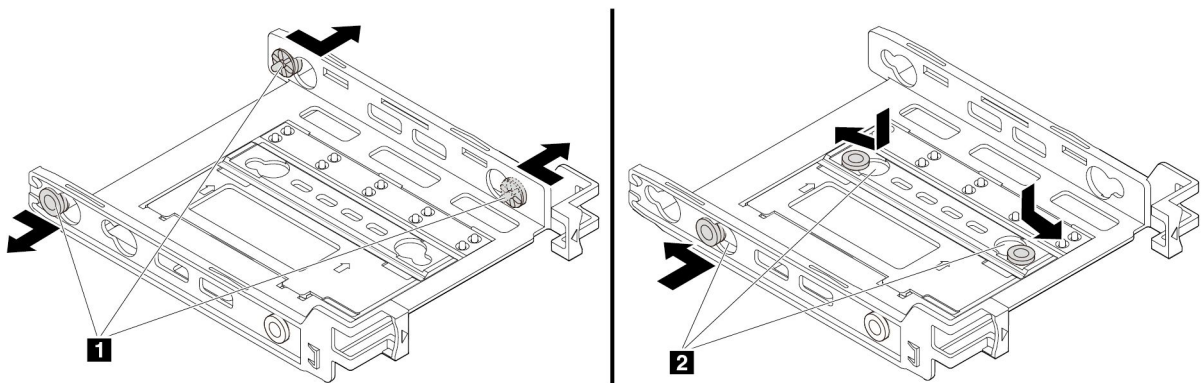


Figure 50. Removing three pins and installing them into new slots

- Pivot the bracket as shown to release tabs **1**, **2**, and **3** from the slots.

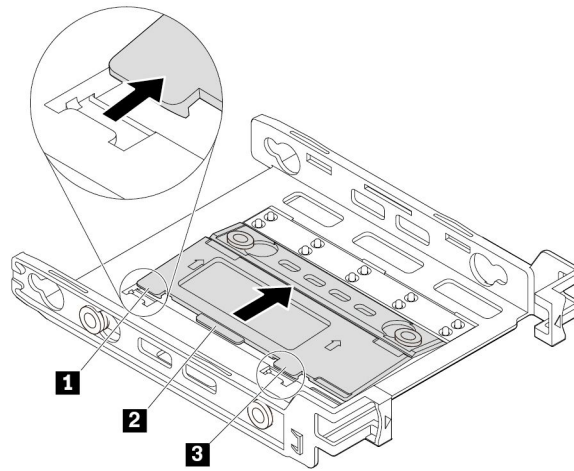


Figure 51. Pivoting the bracket

- Fold the bracket as shown.

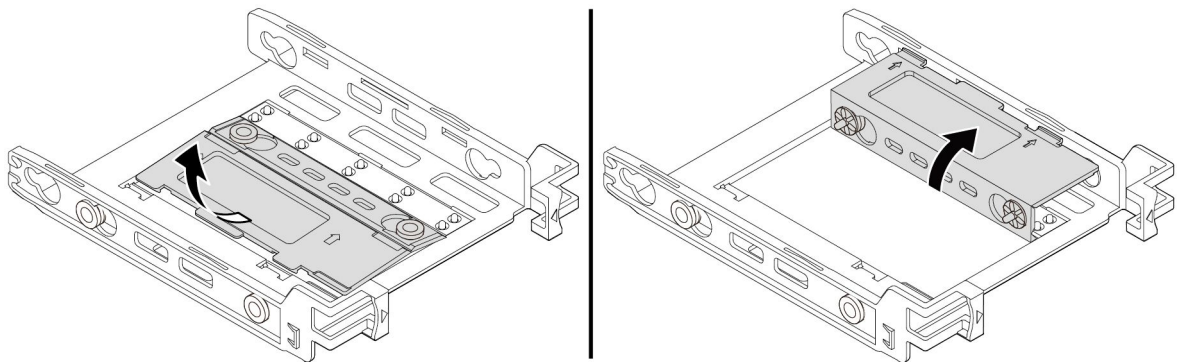


Figure 52. Folding the bracket

5. Insert tabs **1**, **2**, and **3** into the corresponding slots. Ensure that the tabs are secured in place.

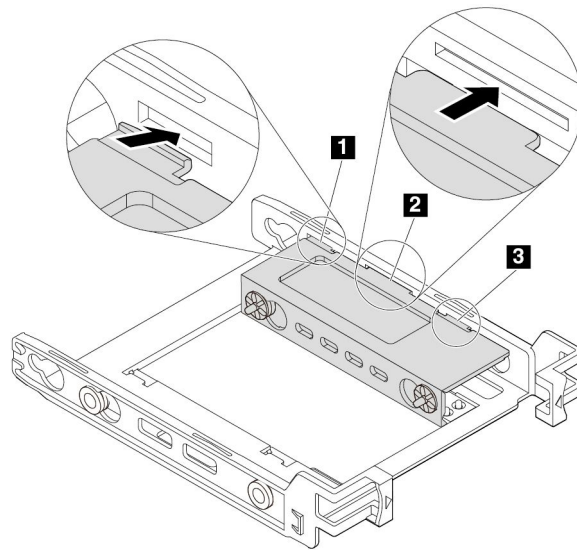


Figure 53. Inserting the tabs into the corresponding slots

6. Install a 2.5-inch internal storage drive into the bracket. See “2.5-inch internal storage drive” on page 121.

Replacing a 2.5-inch internal storage drive with a 3.5-inch internal storage drive

To replace a 2.5-inch internal storage drive with a 3.5-inch internal storage drive, do the following:

1. Ensure that the 2.5-inch internal storage drive is removed from the bracket. See “2.5-inch internal storage drive” on page 121.
2. Remove three pins **1** and install them into slots **2**.

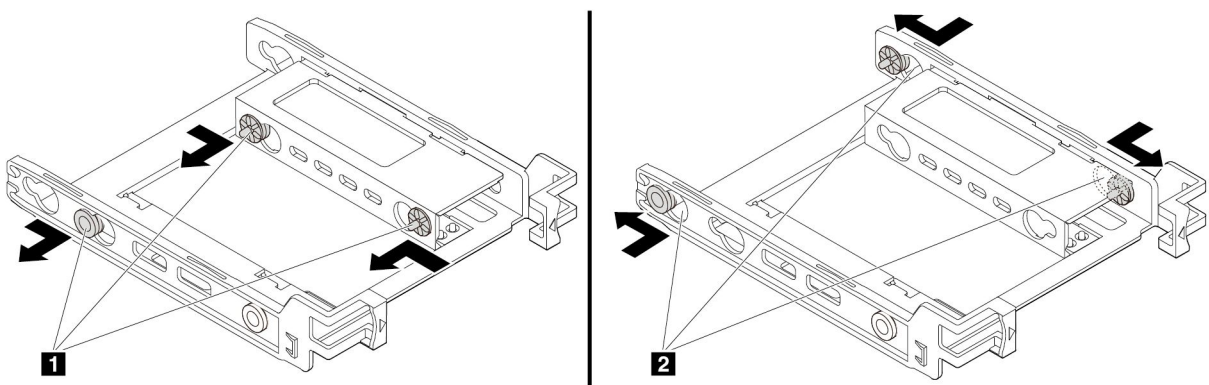


Figure 54. Removing three pins **1** and installing them into slots **2**

3. Release tabs **1**, **2**, and **3** from the corresponding slots.

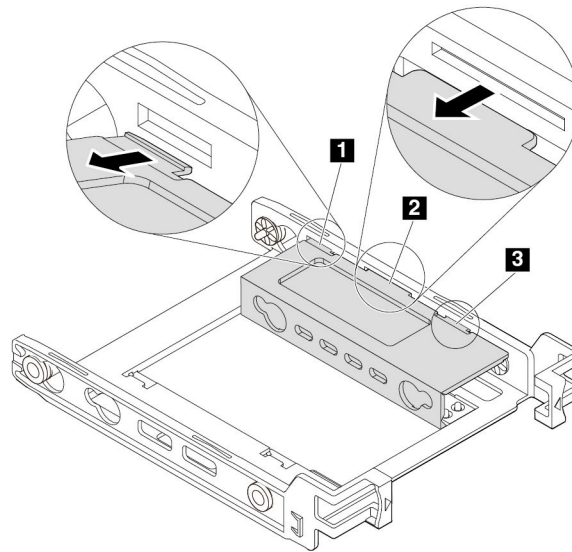


Figure 55. Releasing tabs **1**, **2**, and **3** from the corresponding slots

4. Unfold the bracket as shown.

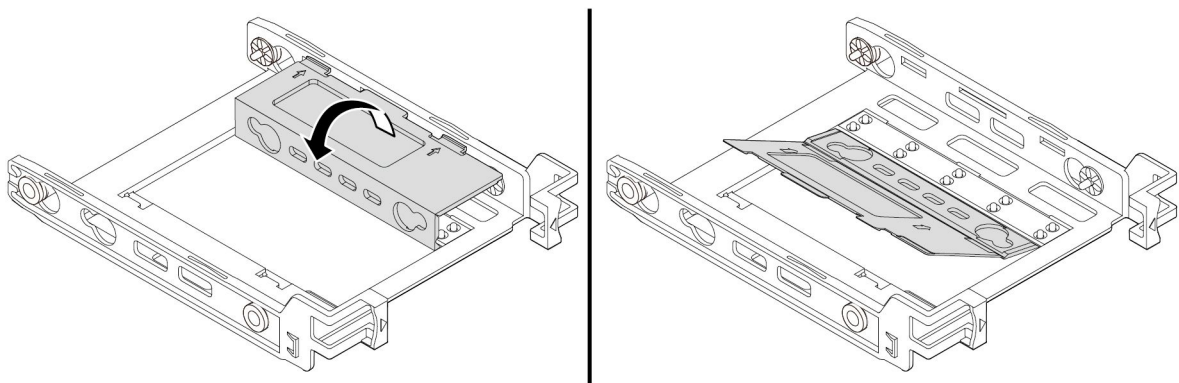


Figure 56. Unfolding the bracket

5. Insert tabs **1** and **3** into the corresponding slots. Ensure that the tab **2** is secured in place.

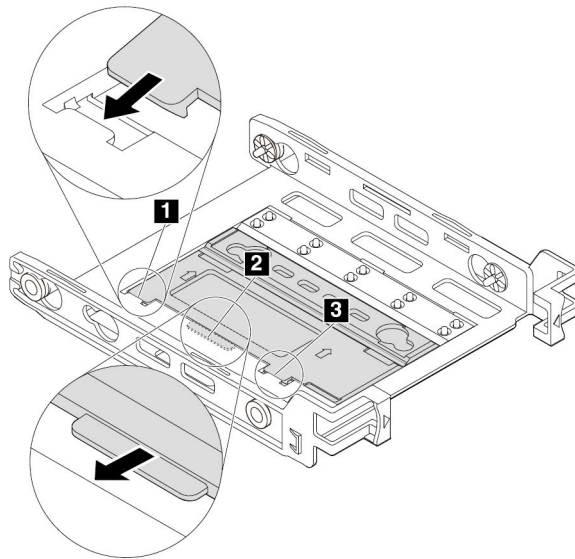


Figure 57. Inserting tabs **1** and **3** into the corresponding slots

6. Install a 3.5-inch internal storage drive into the bracket. See “3.5-inch internal storage drive” on page 118.

What to do next:

- To work with another piece of hardware, go to the appropriate section.
- To complete the installation or replacement, go to “Completing the parts replacement” on page 213.

Storage drive in the flex bay storage enclosure

Attention: Do not open your computer or attempt any repair before reading and understanding Chapter 1 “Read this first: Important safety information” on page 1.

You can install a 3.5-inch hard disk drive, a 2.5-inch hard disk drive, or a 2.5-inch solid-state drive into the flex bay storage enclosure.

To install or replace a storage drive in the flex bay storage enclosure, refer to the following:

- “3.5-inch storage drive” on page 128
- “2.5-inch storage drive” on page 130

3.5-inch storage drive

To install or replace a 3.5-inch storage drive, do the following:

1. Prepare your computer. See “Preparing your computer and removing the computer cover” on page 101.
2. If the flex bay storage enclosure is installed in the computer, disconnect the signal cable and the power cable from the 3.5-inch storage drive first. Then, remove the flex bay storage enclosure from the front of the computer. See “Device in an optical-drive bay” on page 107.

3. If you are replacing a 3.5-inch storage drive, remove the four screws that secure the drive. Then take the old drive out of the flex bay storage enclosure.

Note: When installing or removing the storage drive, do not touch the circuit board on the storage drive and make sure that the circuit board faces downward.

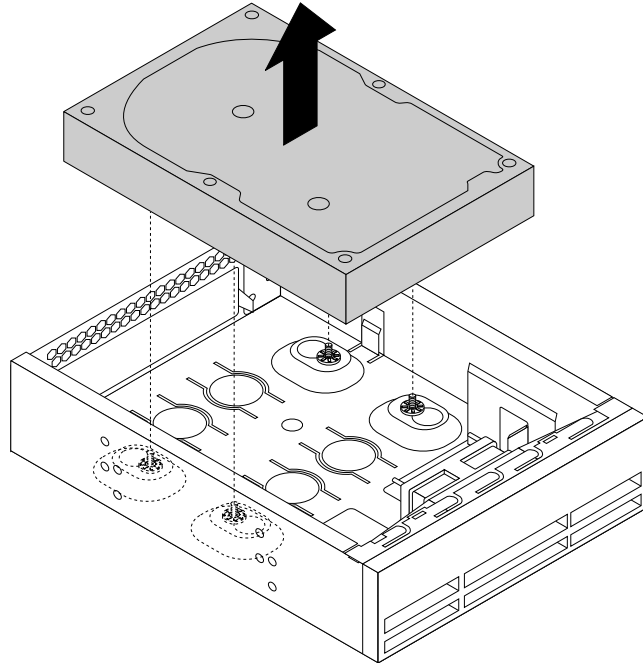


Figure 58. Removing the 3.5-inch storage drive from the flex bay storage enclosure

4. Install the 3.5-inch storage drive into the flex bay storage enclosure. Then, install the four screws to secure the drive to the flex bay storage enclosure.

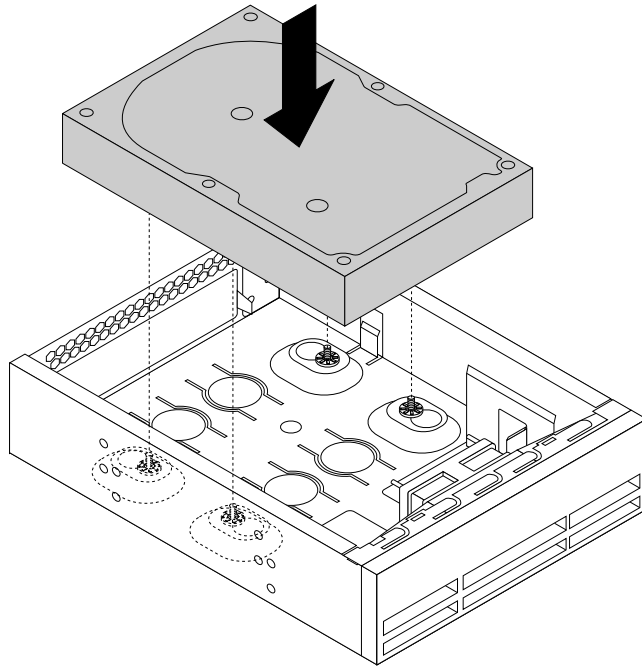


Figure 59. Installing the 3.5-inch storage drive to the flex bay storage enclosure

5. Slide the flex bay storage enclosure into the optical drive bay. See “Device in an optical-drive bay” on page 107.
6. Connect the signal cable and the power cable to the new storage drive.

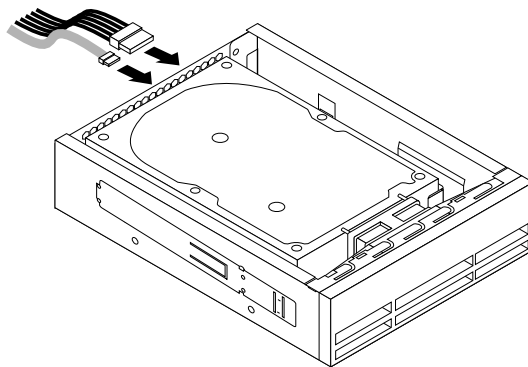


Figure 60. Connecting the cables to the storage drive

What to do next:

- To work with another piece of hardware, go to the appropriate section.
- To complete the installation or replacement, go to “Completing the parts replacement” on page 213.

2.5-inch storage drive

To install or replace a 2.5-inch storage drive, do the following:

1. Prepare your computer. See “Preparing your computer and removing the computer cover” on page 101.
2. If the flex bay storage enclosure is installed in the computer, disconnect the signal cable and the power cable from the 2.5-inch storage drive first. Then, remove the flex bay storage enclosure from the front of the computer. See “Device in an optical-drive bay” on page 107.
3. If you are replacing a 2.5-inch storage drive, do the following:
 - a. Remove the four screws that secure the storage converter. Take the storage converter together with the drive out of the flex bay storage enclosure.

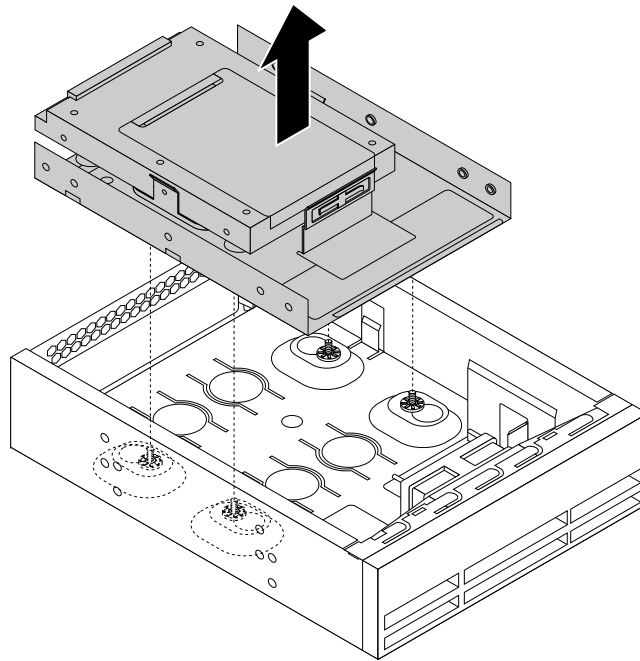


Figure 61. Removing the 2.5-inch storage drive and the storage converter from the flex bay storage enclosure

- b. Remove the five screws that secure the 2.5-inch storage drive to the storage converter. Take the drive out of the storage converter.

Note: When installing or removing the storage drive, do not touch the circuit board on the storage drive and make sure that the circuit board faces downward.

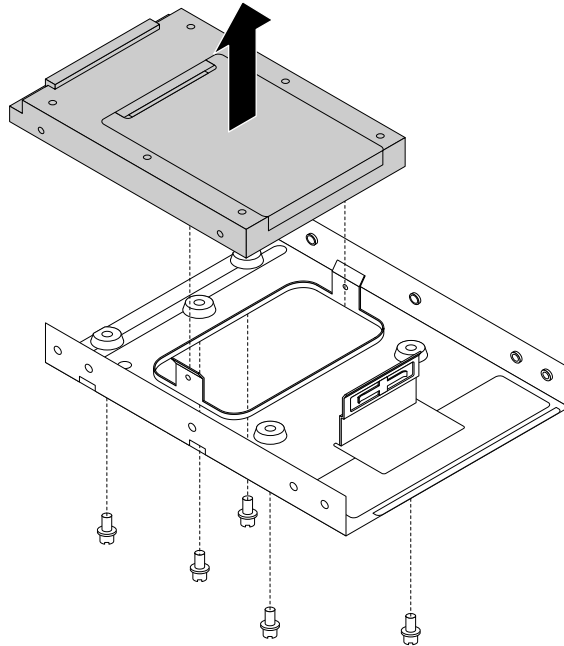


Figure 62. Removing the 2.5-inch storage drive from the storage converter

4. Install the 2.5-inch storage drive into the storage converter. Then, install the five screws to secure the drive to the storage converter.

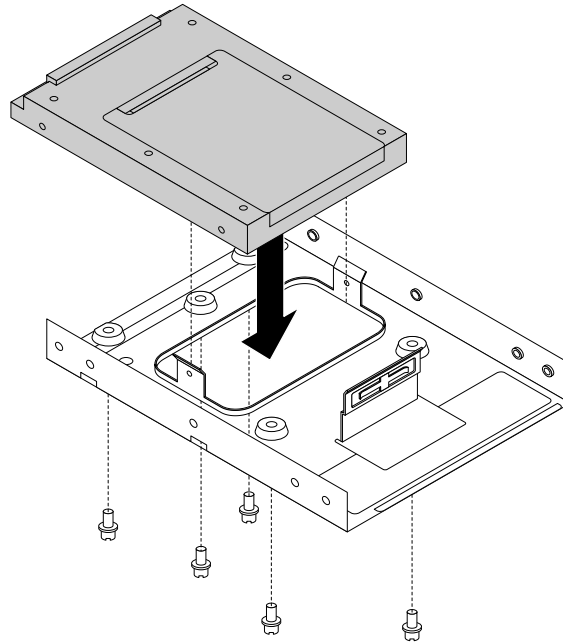


Figure 63. Installing the 2.5-inch storage drive into the storage converter

5. Install the 2.5-inch storage drive and the storage converter into the flex bay storage enclosure. Then, install the four screws to secure the storage converter to the flex bay storage enclosure.

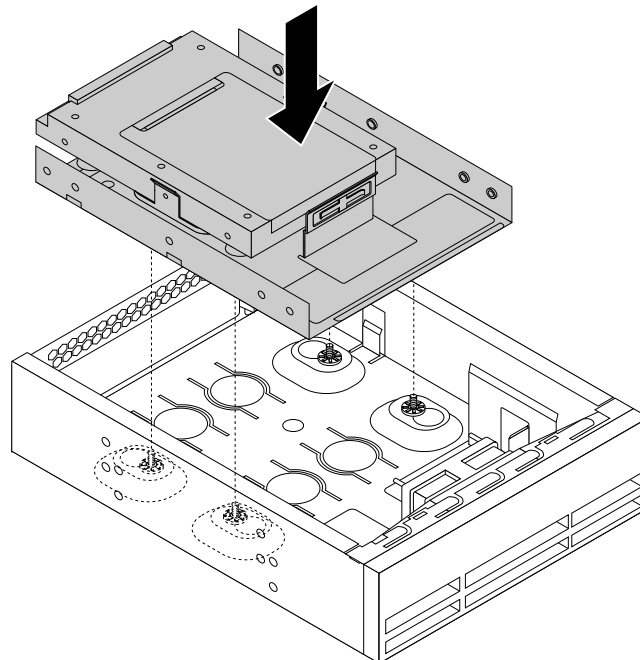


Figure 64. Installing the 2.5-inch storage drive and the storage converter into the flex bay storage enclosure

6. Slide the flex bay storage enclosure into the optical drive bay. See “Device in an optical-drive bay” on page 107.
7. Connect the signal cable and the power cable to the new storage drive.

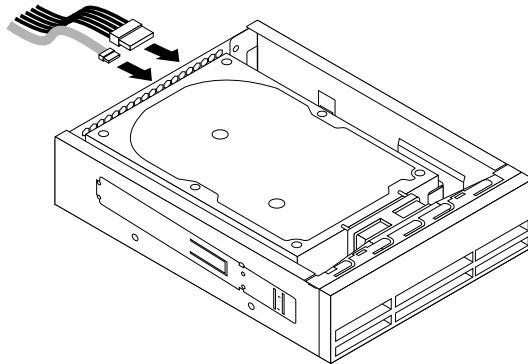


Figure 65. Connecting the cables to the storage drive

What to do next:

- To work with another piece of hardware, go to the appropriate section.
- To complete the installation or replacement, go to “Completing the parts replacement” on page 213.

Device in the 5.25-inch flex module

Attention: Do not open your computer or attempt any repair before reading and understanding the Chapter 1 “Read this first: Important safety information” on page 1.

This section provides instructions on how to install or replace a device in the 5.25-inch flex module. Installing and replacing a device in the 5.25-inch flex module involves the following operations:

- “Slim optical drive” on page 134
- “Card reader” on page 137
- “eSATA connector or IEEE 1394 connector” on page 140
- “Front Thunderbolt adapter kit” on page 143

Slim optical drive

To install or replace a slim optical drive in the flex module, do the following:

1. Prepare your computer. See “Preparing your computer and removing the computer cover” on page 101.
2. Remove the flex module out of the chassis. See “Device in an optical-drive bay” on page 107.

3. Lift the clip on the rear of the flex module. Then, slide the flex module cover to the rear of the flex module to remove the cover.

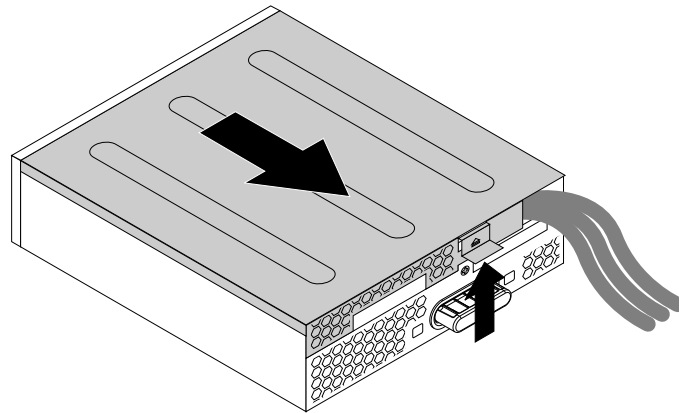


Figure 66. Removing the flex module cover

4. Depending on whether you are installing or replacing a slim optical drive, do one of the following:
 - If you are installing a new slim optical drive, press the two metal clips **1** to remove the plastic clip with the two screws as shown. Remove the two screws and then go to Step 5 on page 136.

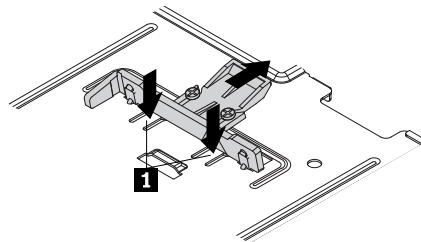


Figure 67. Removing the plastic clip with the two screws

- If you are replacing an old slim optical drive, do the following:

- a. Press the button as shown to remove the slim optical drive from the flex module.

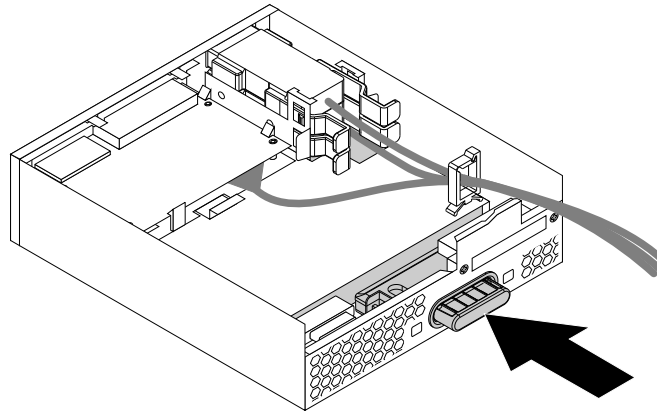


Figure 68. Removing the slim optical drive from the flex module

- b. Remove the two screws that secure the clip to remove the plastic clip from the rear of the slim optical drive.

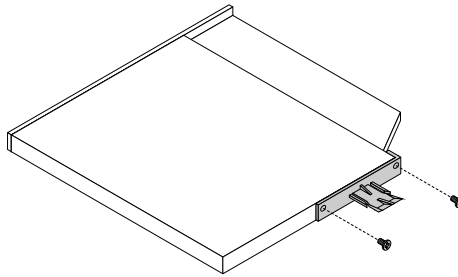


Figure 69. Removing the plastic clip from the slim optical drive

5. Install the two screws to secure the plastic clip on the rear of the new slim optical drive.

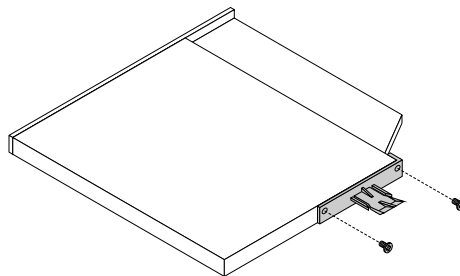


Figure 70. Installing the plastic clip to the slim optical drive

- Slide the new slim optical drive with the plastic clip into the flex module until the slim optical drive snaps into position.

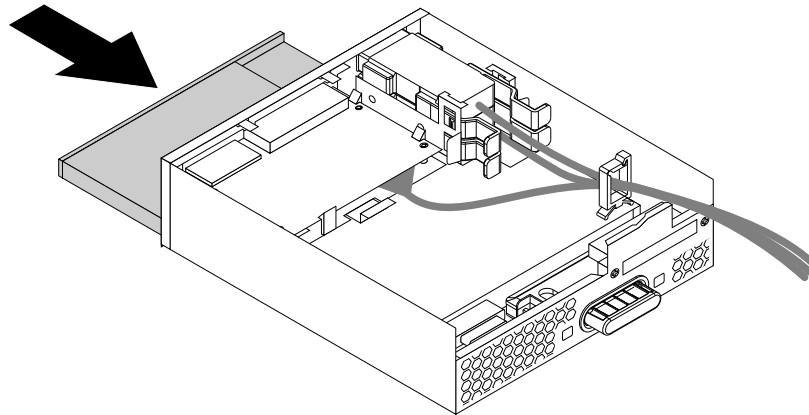


Figure 71. Installing the slim optical drive in the flex module

- Position the flex module cover on the flex module. Ensure that the rail guides on the bottom of the flex module cover engage the rails on the flex module. Then, push the cover to the front of the flex module until it snaps into position.

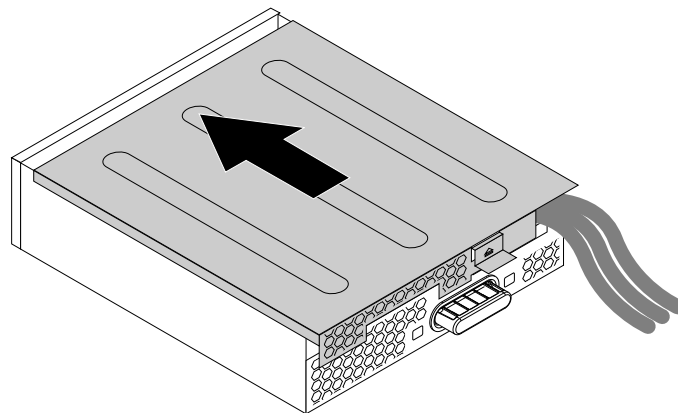


Figure 72. Reinstalling the flex module cover

- Install the flex module into the flex bay. Reconnect any removed cables to the flex module.

What to do next:

- To work with another piece of hardware, go to the appropriate section.
- To complete the installation or replacement, go to “Completing the parts replacement” on page 213.

Card reader

To install or replace a card reader in the flex module, do the following:

- Prepare your computer. See “Preparing your computer and removing the computer cover” on page 101.
- Disconnect the card reader cable from the 29-in-1 card reader connector on the system board. See “Parts on the system board” on page 35.
- Remove the flex module out of the chassis. See “Device in an optical-drive bay” on page 107.

4. Lift the clip on the side of the flex module upward. Then, slide the flex module cover to the rear of the flex module to remove the cover.

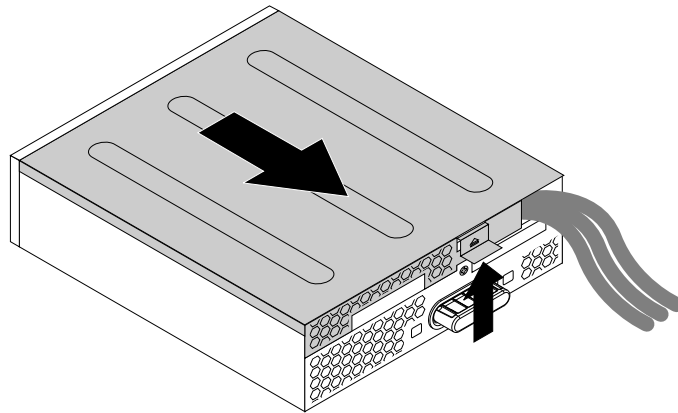


Figure 73. Removing the flex module cover

5. If you are replacing a card reader, do the following:
 - a. Disconnect the card reader cable from the system board. See “Parts on the system board” on page 35.
 - b. Pull the clip as shown to remove the card reader with the card reader retaining bracket out of the flex module.

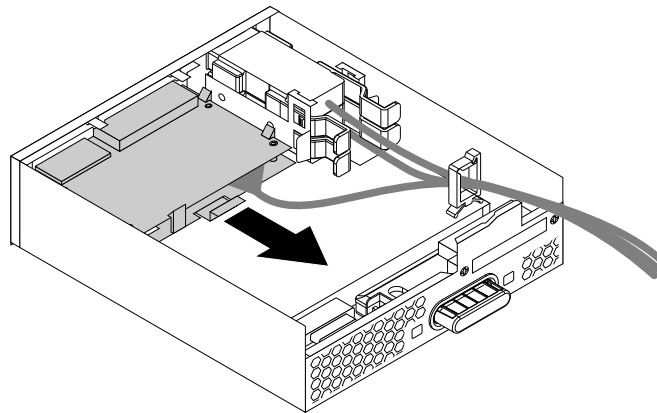


Figure 74. Removing the card reader in the flex module

- c. Flex the four clips on the sides of the card reader retaining bracket to remove the card reader from the bracket.

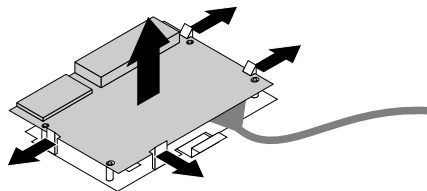


Figure 75. Removing the card reader from the card reader retaining bracket

6. To install a new card reader into the card reader retaining bracket, align the four holes in the card reader with the corresponding studs on the bracket. Then, press the new card reader downward until it snaps into position.

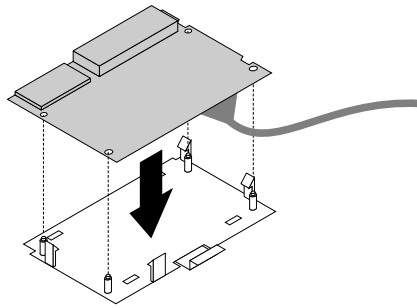


Figure 76. Installing the card reader into the card reader retaining bracket

7. Note the orientation of the new card reader and route the card reader cable into the cable clip. Hold the clip on the card reader retaining bracket. Then, insert the new card reader into the card reader slot in flex module until it snaps into position.

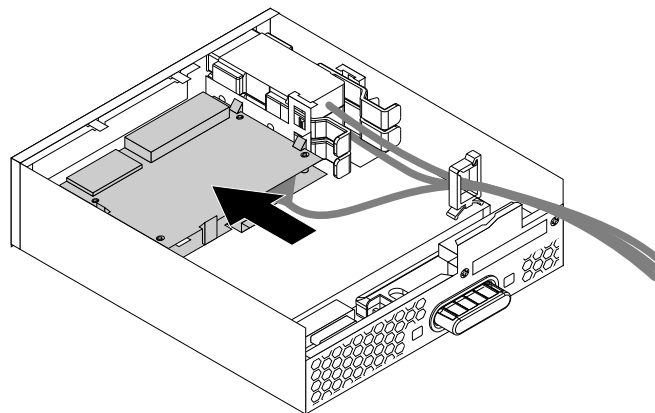


Figure 77. Installing the card reader in the flex module

- Position the flex module cover on the flex module. Ensure that the rail guides on the bottom of the flex module cover engage the rails on the flex module. Then, push the cover to the front of the flex module until it snaps into position.

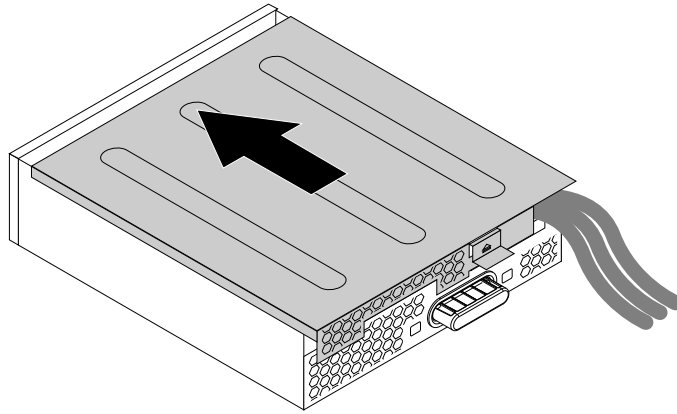


Figure 78. Reinstalling the flex module cover

- Install the flex module into the flex bay.
- Connect the card reader cable to the 29-in-1 card reader connector on the system board. See “Parts on the system board” on page 35.
- Reconnect any removed cables to the flex module.

What to do next:

- To work with another piece of hardware, go to the appropriate section.
- To complete the installation or replacement, go to “Completing the parts replacement” on page 213.

eSATA connector or IEEE 1394 connector

To install or replace an eSATA connector or IEEE 1394 connector in the flex module, do the following:

- Prepare your computer. See “Preparing your computer and removing the computer cover” on page 101.
- Do either of the following:
 - Disconnect the eSATA connector cable from the eSATA connector on the system board.
 - Disconnect the IEEE 1394 cable from the IEEE 1394 adapter.
- Remove the flex module out of the chassis. See “Device in an optical-drive bay” on page 107.

4. Lift the clip on the side of the flex module upward. Then, slide the flex module cover to the rear of the flex module to remove the cover.

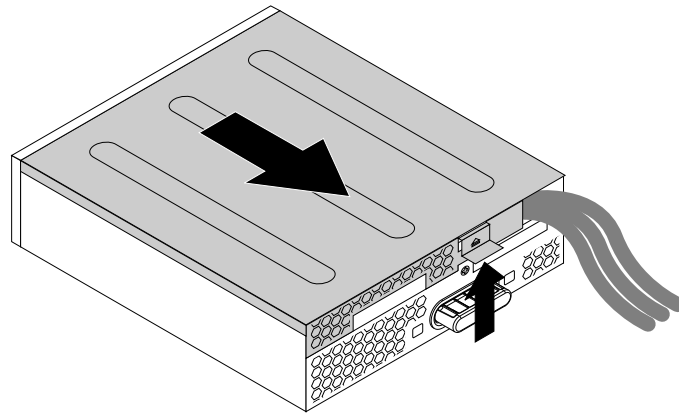


Figure 79. Removing the flex module cover

5. If you are replacing an eSATA connector or IEEE 1394 connector, do the following:
 - a. Disconnect the eSATA connector or IEEE 1394 connector cable from the system board. See “Parts on the system board” on page 35.
 - b. Press the two clips toward each other as shown to pull the eSATA connector or IEEE 1394 connector out of the flex module.

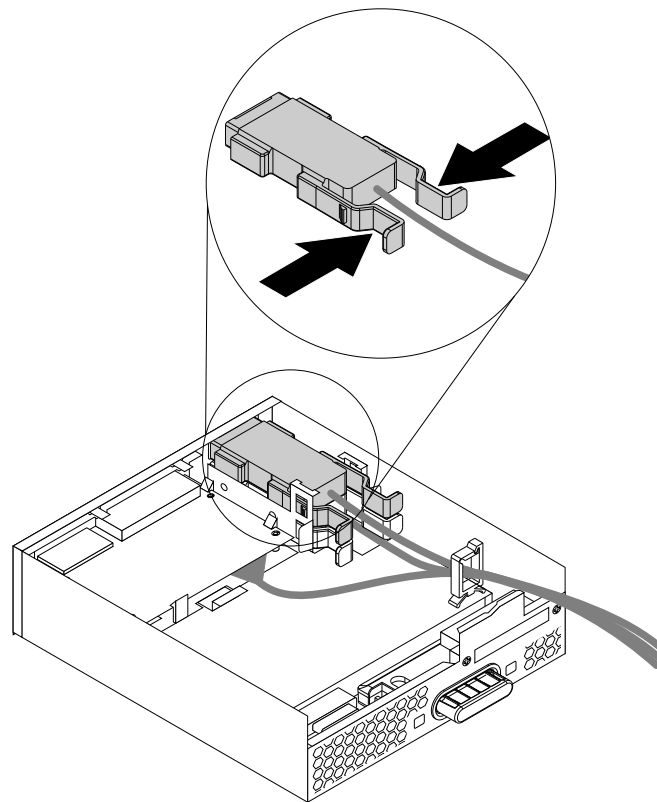


Figure 80. Removing the eSATA connector or IEEE 1394 connector in the flex module

6. Note the orientation of the eSATA connector or IEEE 1394 connector and route the eSATA connector or IEEE 1394 connector cable into the cable clip.
7. Place the eSATA connector or IEEE 1394 connector into the metal retainer. Then, insert the eSATA connector or IEEE 1394 connector into the corresponding slot in the flex module as shown.

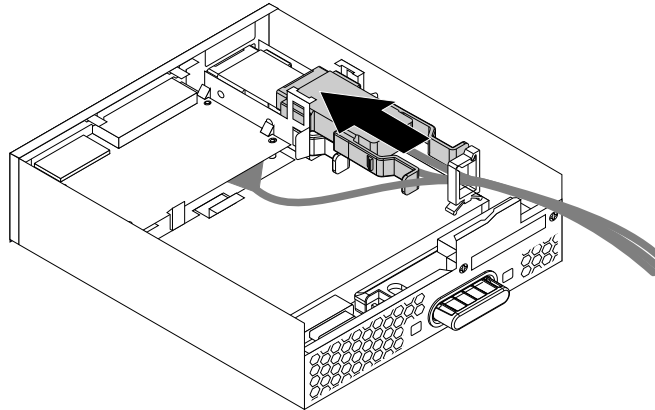


Figure 81. Installing the eSATA connector or IEEE 1394 connector in the flex module

8. Position the flex module cover on the flex module. Ensure that the rail guides on the bottom of the flex module cover engage the rails on the flex module. Then, push the cover to the front of the flex module until it snaps into position.

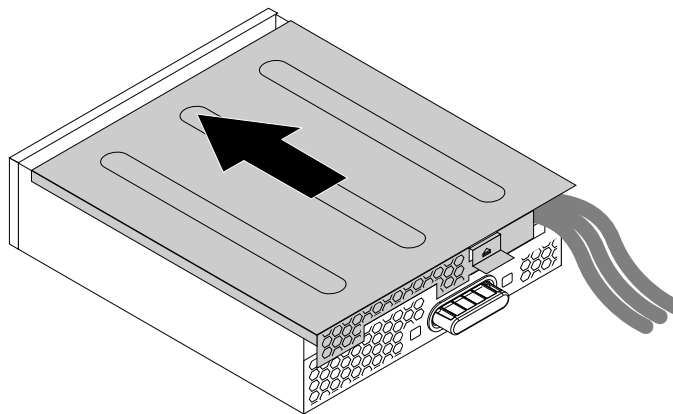


Figure 82. Reinstalling the flex module cover

9. Install the flex module into the flex bay.
10. Depending on you are installing an eSATA connector or an IEEE 1394 connector, do either of the following:
 - Connect the eSATA connector to the eSATA connector on the system board. See “Parts on the system board” on page 35.
 - Connect the IEEE 1394 connector cable to the IEEE 1394 adapter.
11. Reconnect any removed cables to the flex module.

What to do next:

- To work with another piece of hardware, go to the appropriate section.

- To complete the installation or replacement, go to “Completing the parts replacement” on page 213.

Front Thunderbolt adapter kit

The front Thunderbolt adapter kit includes the following parts:

- A front Thunderbolt I/O adapter
- A front Thunderbolt PCI Express x4 card
- A bezel
- A GPIO cable
- A Mini-SAS cable
- An internal DP-to-DP cable
- An external DP-to-DP cables

To install or replace a front Thunderbolt adapter kit, do the following:

1. Prepare your computer. See “Preparing your computer and removing the computer cover” on page 101.
2. Record the cable connections and cable routing. Then disconnect all cables connected to the front Thunderbolt I/O adapter and the system board.
3. Remove the flex module out of the chassis.. See “Device in an optical-drive bay” on page 107.
4. Lift the clip on the rear of the flex module, and then slide the flex module cover to the rear of the flex module.

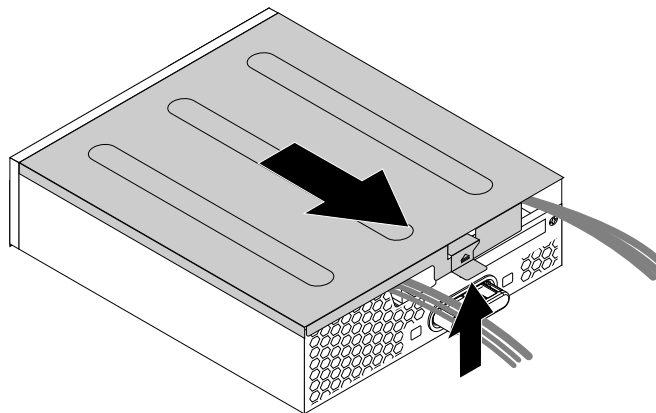


Figure 83. Removing the flex module cover

5. If you are replacing a front Thunderbolt I/O adapter, do the following to remove the old front Thunderbolt adapter first:
 - a. Record the cable connections and cable routing. Then disconnect all cables connected to the front Thunderbolt I/O adapter.

- b. Pull the clip as shown to remove the front Thunderbolt I/O adapter and the retaining bracket out of the flex module.

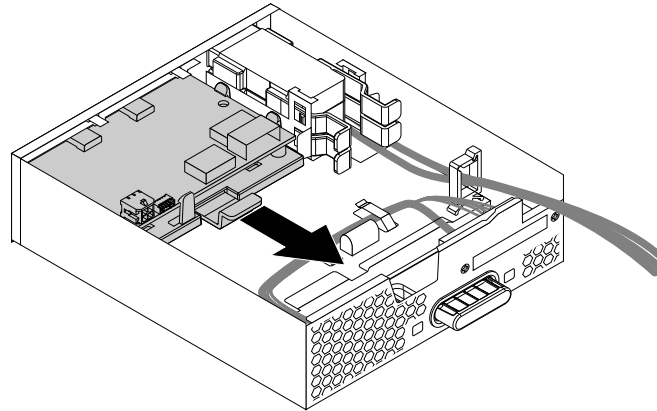


Figure 84. Removing the front Thunderbolt adapter and the retaining bracket out of the flex module

- c. Flex the four clips on the sides of the retaining bracket to remove the front Thunderbolt I/O adapter from the bracket.

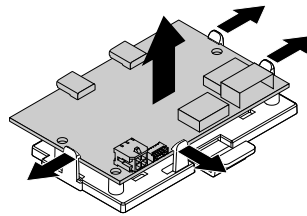


Figure 85. Removing the front Thunderbolt I/O adapter from the retaining bracket

6. If you are installing a new front Thunderbolt I/O adapter, do the following:

- a. Remove the dummy bezel and install the bezel in the front Thunderbolt adapter kit to the flex module first.

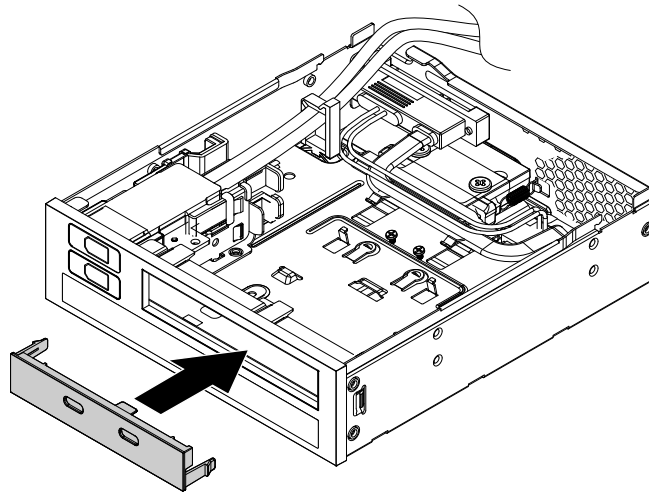


Figure 86. Installing the bezel to the flex module

- b. To install a new front Thunderbolt I/O adapter into the retaining bracket, align the four holes in the front Thunderbolt I/O adapter with the corresponding mounting studs on the bracket. Then, press the card downward until it snaps into position.

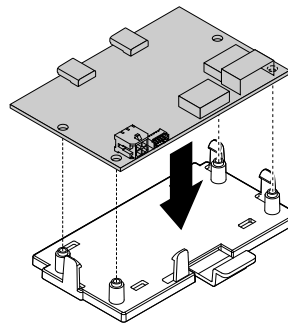


Figure 87. Installing the front Thunderbolt I/O adapter into the retaining bracket

- c. Hold the clip on the retaining bracket and then insert the front Thunderbolt I/O adapter and the retaining bracket into the flex module as shown until they snap into position.

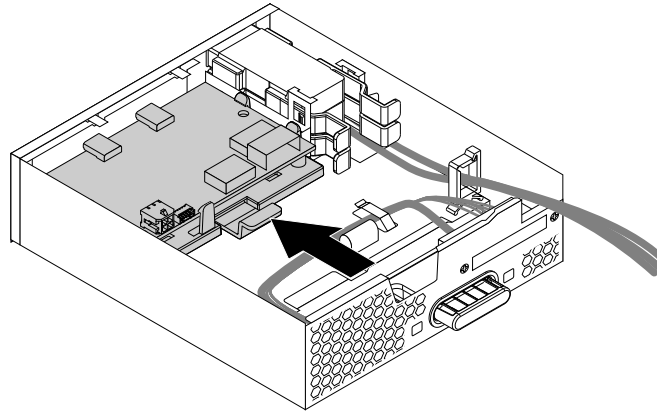


Figure 88. Installing the front Thunderbolt adapter and the retaining bracket into the flex module

7. Install the front Thunderbolt PCI Express x4 card into the PCI Express 2.0 x4 card slot on the system board. See “PCI card” on page 172 and “Parts on the system board” on page 35.
8. Connect the cables to the front Thunderbolt I/O adapter.
 - Connect the power cable in the flex module to the 4-pin power connector **a**.
 - Connect the GPIO cable to the connector **b**.
 - Connect the internal DP-to-DP cable to the DisplayPort connector **c**.
 - Connect the Mini-SAS cable to the SAS connector **d**.

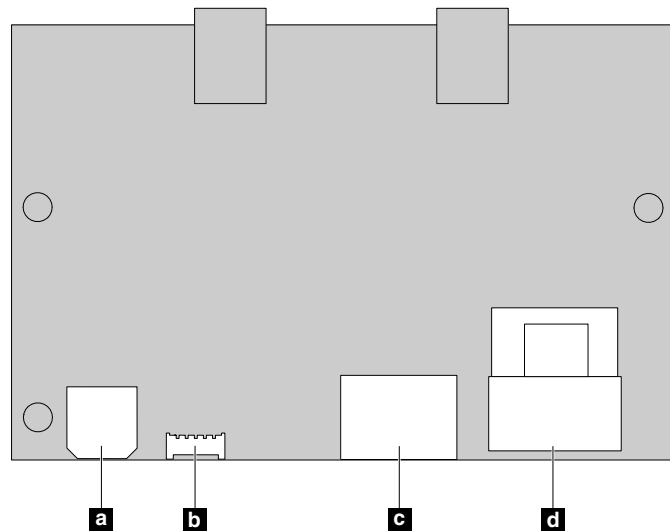


Figure 89. Front Thunderbolt adapter cable connection

9. Route the cables through the two holes in the rear of the flex module. Position the flex module cover on the flex module. Ensure that the rail guides on the bottom of the cover engage the rails on the flex module. Then, push the cover to the front of the flex module until it snaps into position.

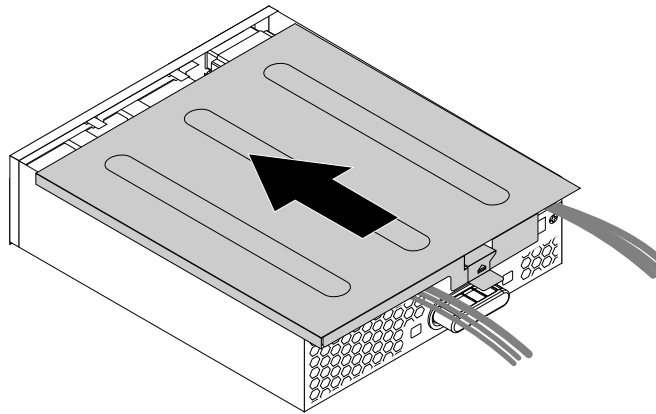


Figure 90. Reinstalling the flex module cover

10. Install the flex module into the optical-drive bay. See “Device in an optical-drive bay” on page 107.
11. Connect the cables to the front Thunderbolt PCI Express x4 card and the system board.
 - Connect the GPIO cable to the Thunderbolt connector on the system board. See “Parts on the system board” on page 35.
 - Connect the internal DP-to-DP cable to the DisplayPort connector on the front Thunderbolt PCI Express x4 card.
 - Connect the Mini-SAS cable to the SAS connector on the front Thunderbolt PCI Express x4 card.
12. Reconnect any removed cables to the flex module.

What to do next:

- To work with another piece of hardware, go to the appropriate section.
- To complete the installation or replacement, go to “Completing the parts replacement” on page 213.

Internal storage drive

Depending on your computer model, your computer might come with one or more of the following internal storage drives:

- 3.5-inch hard disk drive
- 3.5-inch hybrid drive
- 2.5-inch hard disk drive
- 2.5-inch solid-state drive
- M.2 solid-state drive
- PCI Express solid-state drive

To install or replace an internal storage drive, refer to one of the following topics:

- “3.5-inch storage drive” on page 148
- “2.5-inch storage drive” on page 151
- “M.2 solid-state drive” on page 156

- “PCI card” on page 172 (applies to a PCI Express solid-state drive)

3.5-inch storage drive

Note: Depending on your computer model, a 3.5-inch hard disk drive or a 3.5-inch hybrid drive might come with your computer.

To install or replace a 3.5-inch storage drive in a hard-disk-drive bay, do the following:

1. Prepare your computer. See “Preparing your computer and removing the computer cover” on page 101.
2. Locate the hard-disk-drive bay in which you want to install or replace a storage drive. See “Internal drives” on page 37.
3. Press the pit on the cover of the hard disk drive bay so that the cover is opened. Then, pull the cover edge as shown to remove the hard-disk-drive bracket from the hard-disk-drive bay.

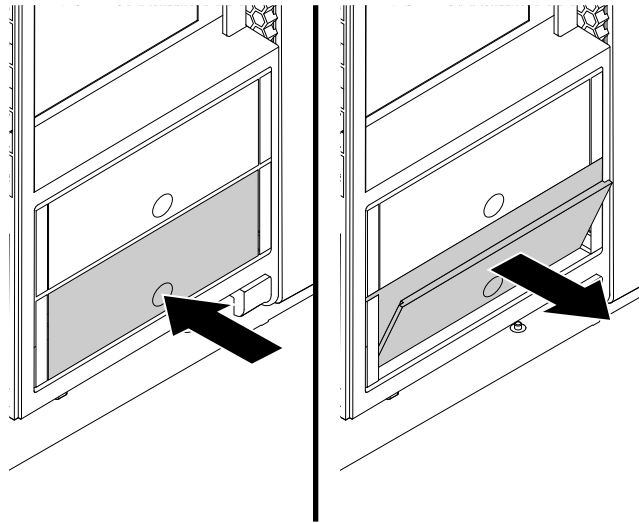


Figure 91. Removing the hard-disk-drive bracket

4. Depending on whether you are installing or replacing a storage drive, do one of the following:
 - If you are installing a storage drive, go to step 6.

- If you are replacing a storage drive, flex the sides of the bracket to release the four pins **1** from the storage drive. Then, remove the storage drive from the bracket.

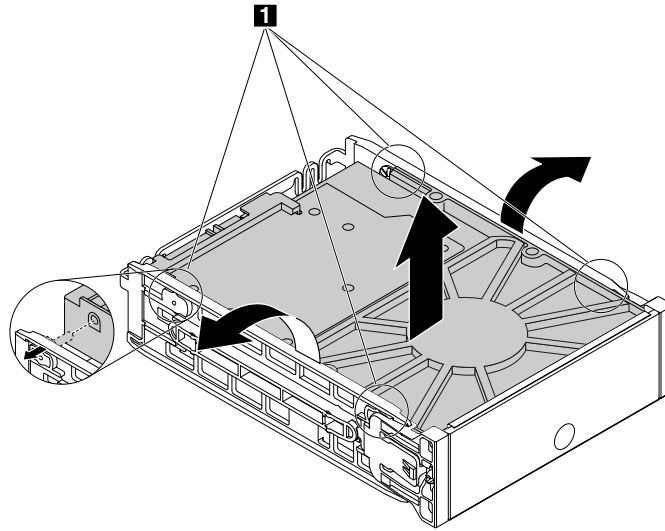


Figure 92. Removing the storage drive from the bracket

5. Hold the storage drive so that the connectors face towards the rear of the bracket and the circuit board **2** faces upward. Then, flex the sides of the bracket and align the four pins **1** on the bracket with the corresponding holes in the storage drive.

Note: Do not touch the circuit board **2** of the storage drive.

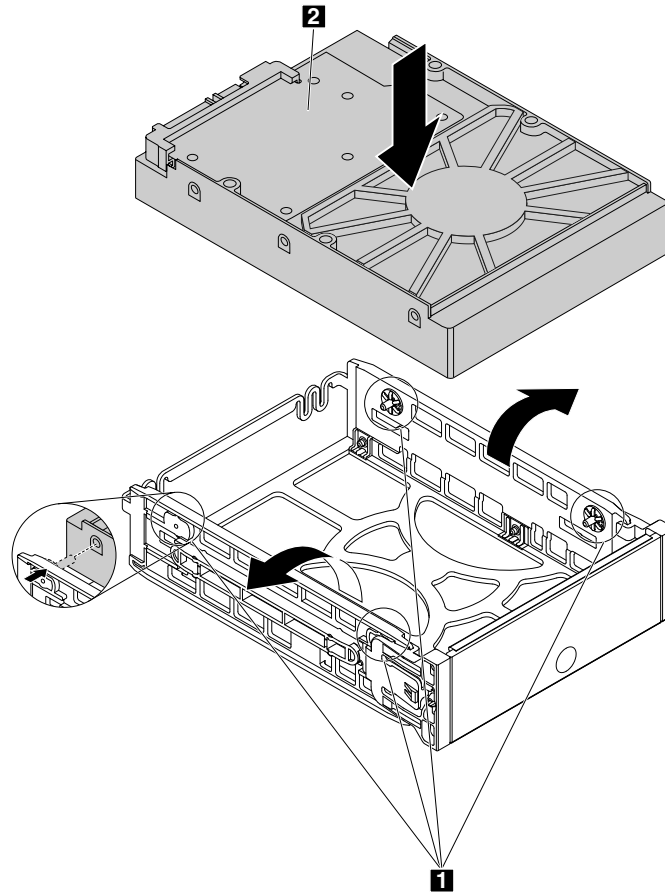


Figure 93. Installing the storage drive into the bracket

- Slide the bracket together with the installed storage drive into the hard-disk-drive bay until the bracket snaps into position.

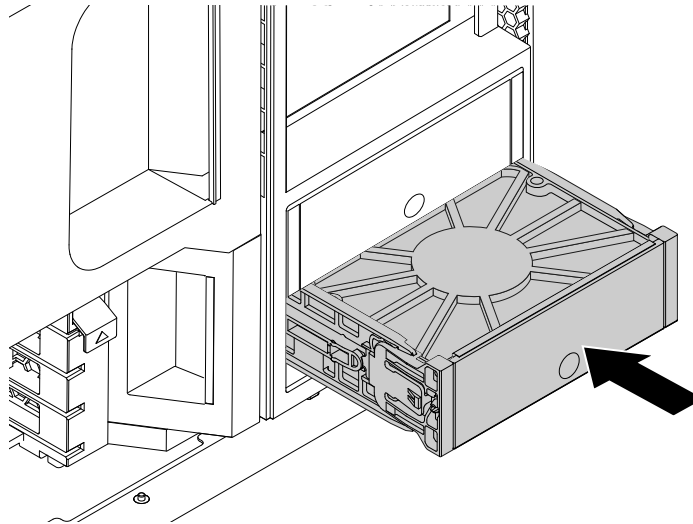


Figure 94. Installing the hard-disk-drive bracket

What to do next:

- To work with another piece of hardware, go to the appropriate section.
- To complete the installation or replacement, go to “Completing the parts replacement” on page 213.

2.5-inch storage drive

Note: Depending on your computer model, a 2.5-inch hard disk drive or a 2.5-inch solid-state drive might come with your computer.

To install or replace a 2.5-inch storage drive, refer to one of the following topics:

- “Installing or replacing a 2.5-inch storage drive in a hard-disk-drive bay” on page 151
- “Installing or replacing a 2.5-inch storage drive with a converter in a hard-disk-drive bay” on page 153

Installing or replacing a 2.5-inch storage drive in a hard-disk-drive bay

Attention: Do not open your computer or attempt any repair before reading and understanding the Chapter 1 “Read this first: Important safety information” on page 1.

To install or replace a 2.5-inch storage drive in a hard-disk-drive bay, do the following:

- Prepare your computer. See “Preparing your computer and removing the computer cover” on page 101.
- Locate the hard disk drive bay in which you want to install or replace a storage drive. See “Internal drives” on page 37.
- Remove the storage drive bracket from the hard-disk-drive bay. See step 3 on page 148.
- Depending on whether you are installing or replacing a storage drive, do one of the following:
 - If you are installing a storage drive, go to step 6.

- If you are replacing a storage drive, flex the sides of the bracket to release the four pins **1** from the storage drive. Then, remove the storage drive from the bracket.

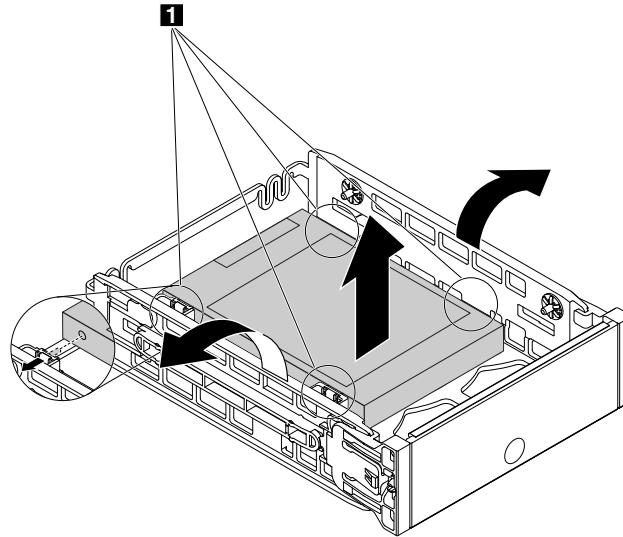


Figure 95. Removing the storage drive from the bracket

5. Keep the connector on the storage drive on the right as shown. Then, flex the sides of the bracket and align the four pins **1** on the bottom of the bracket with the corresponding holes in the storage drive.

Note: Do not touch the circuit board (if accessible) of the 2.5-inch storage drive.

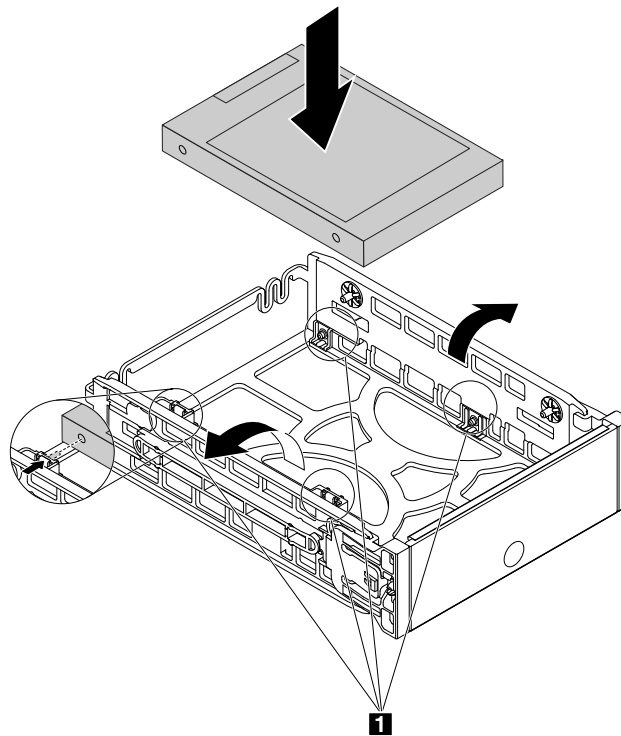


Figure 96. Installing the storage drive into the bracket

6. Install the bracket with the new storage drive into the hard-disk-drive bay. See step 6 on page 151.

What to do next:

- To work with another piece of hardware, go to the appropriate section.
- To complete the installation or replacement, go to “Completing the parts replacement” on page 213.

Installing or replacing a 2.5-inch storage drive with a converter in a hard-disk-drive bay

Attention: Do not open your computer or attempt any repair before reading and understanding the Chapter 1 “Read this first: Important safety information” on page 1.

To install or replace a 2.5-inch storage drive with a 2.5-inch to 3.5-inch converter in a hard-disk-drive bay, do the following:

1. Prepare your computer. See “Preparing your computer and removing the computer cover” on page 101.
2. Locate the hard-disk-drive bay in which you want to install or replace a storage drive. See “Internal drives” on page 37.
3. Remove the storage drive bracket from the hard-disk-drive bay. See step 3 on page 148.
4. Depending on whether you are installing or replacing a storage drive, do one of the following:
 - If you are installing a storage drive, pivot tab **1** on the metal adapter upward. Then, push the adapter as shown until the four tabs on the adapter are slide into the four notches **2**. Pivot the adapter as shown to remove it from the converter.

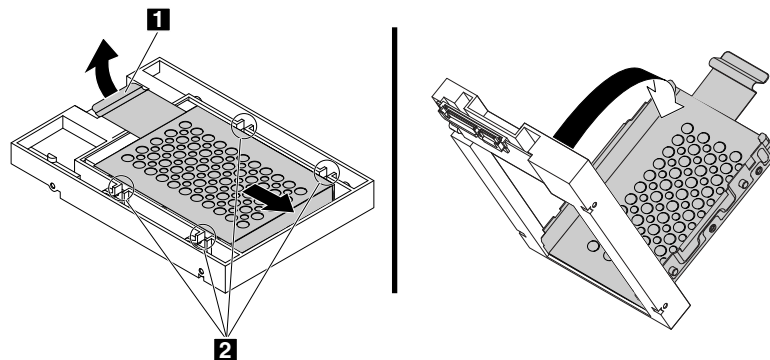


Figure 97. Removing the adapter from the converter

- If you are replacing a storage drive, do the following:
 - a. Remove the converter from the bracket. See step 4 on page 148.

- b. Pivot tab **1** on the metal adapter upward and push the adapter as shown until the four tabs on the adapter are slide into the notches **2**. Then, pivot the adapter as shown to remove it with the storage drive from the converter.

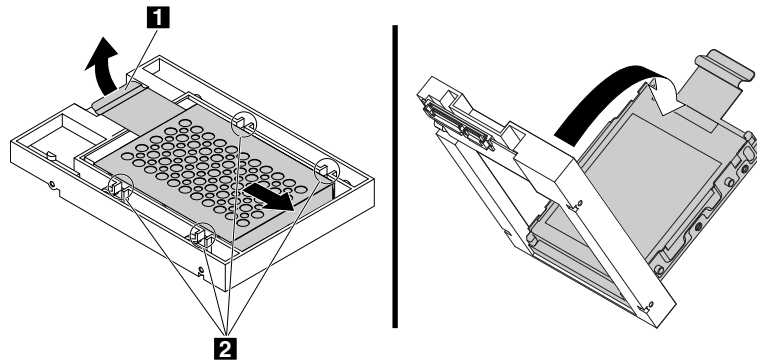


Figure 98. Removing the adapter from the converter

- c. Flex the sides of the adapter to release the four pins **1** from the storage drive. Then, remove the storage drive from the adapter.

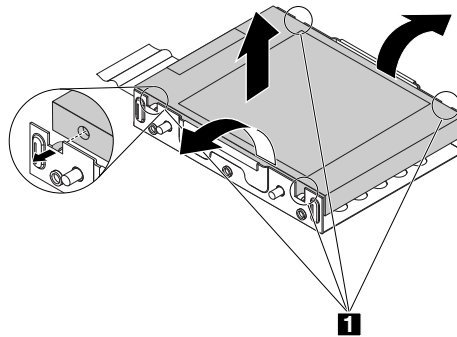


Figure 99. Removing the storage drive from the adapter

5. Note the orientation of the connector on the new storage drive. Then, flex the sides of the adapter and align the four pins **1** with the corresponding holes in the storage drive.

Note: Do not touch the circuit board (if accessible) of the 2.5-inch storage drive.

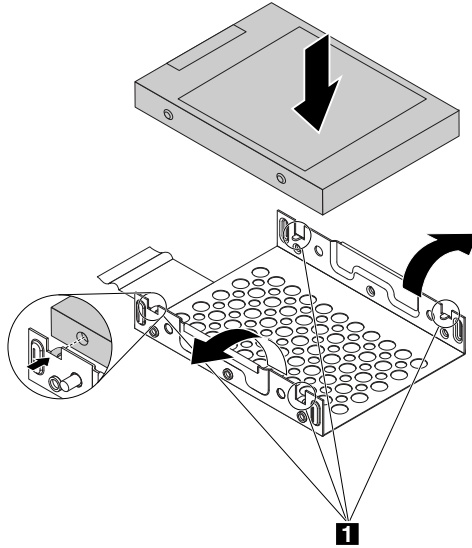


Figure 100. Installing the storage drive into the adapter

6. Align the four tabs on the adapter with the corresponding notches **1** in the converter. Then, slide the storage drive as shown until the tab **2** snaps into position. The adapter with the storage drive is installed into the converter.

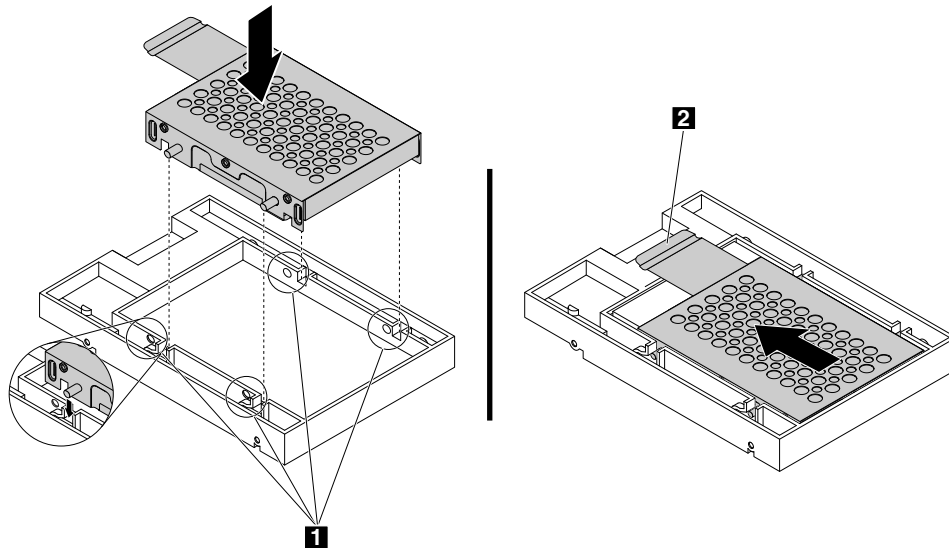


Figure 101. Installing the adapter into the converter

7. Install the converter with the new storage drive into the bracket and the bracket into the hard-disk-drive bay. See step 5 on page 150 and step 6 on page 151.

What to do next:

- To work with another piece of hardware, go to the appropriate section.
- To complete the installation or replacement, go to “Completing the parts replacement” on page 213.

M.2 solid-state drive

Attention: Do not open your computer or attempt any repair before reading and understanding the Chapter 1 “Read this first: Important safety information” on page 1.

To replace an M.2 solid-state drive, do the following:

1. Prepare your computer. See “Preparing your computer and removing the computer cover” on page 101.
2. Lay the computer on its side for easier access to the flex adapter slots.
3. Locate the flex adapter slots. See “Parts on the system board” on page 35.
4. Locate and remove the flex adapter on which you want to install or replace an M.2 solid-state drive. See “Flex adapter” on page 169.
5. Open the cover of the flex adapter.

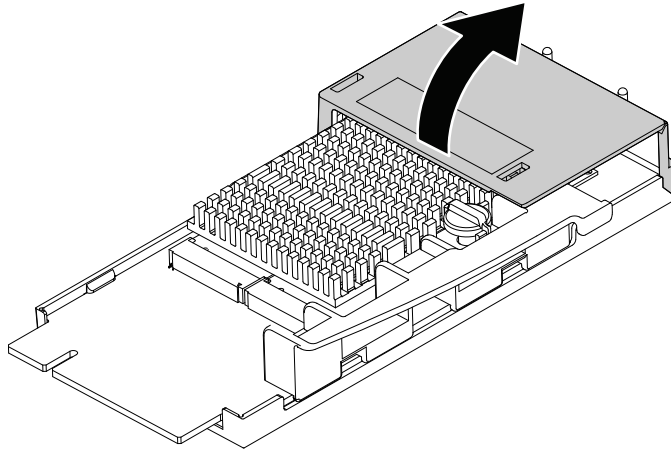


Figure 102. Opening the cover of the flex adapter

6. The heat sink is secured by a mounting stud. Pinch the tab of the mounting stud and turn the mounting stud 90-degree counterclockwise to release the heat sink. Then, lift the heat sink off the flex adapter.

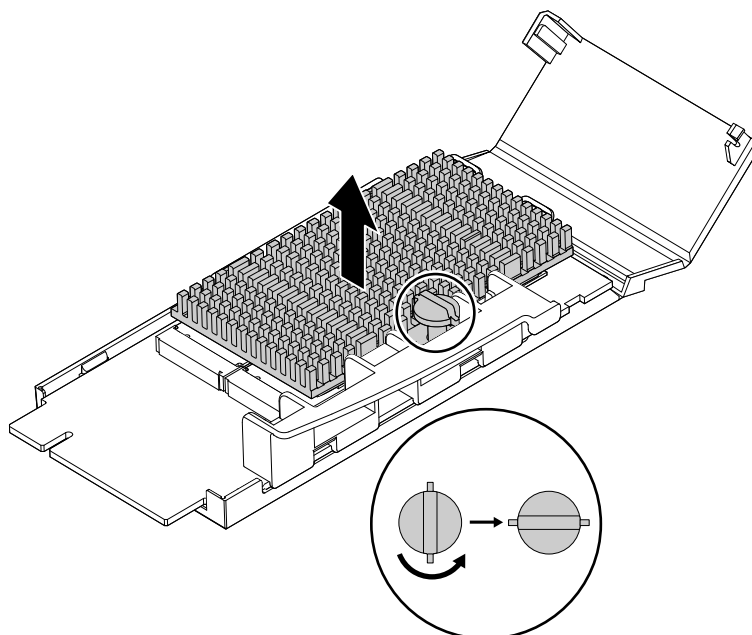


Figure 103. Removing the heat sink from the flex adapter

7. Locate the M.2 solid-state drive that you want to replace.
8. The M.2 solid-state drive is secured by a retention latch. Pull the handle of the retention latch outward to release the M.2 solid-state drive. Then, gently pull the M.2 solid-state drive out of the M.2 slot.

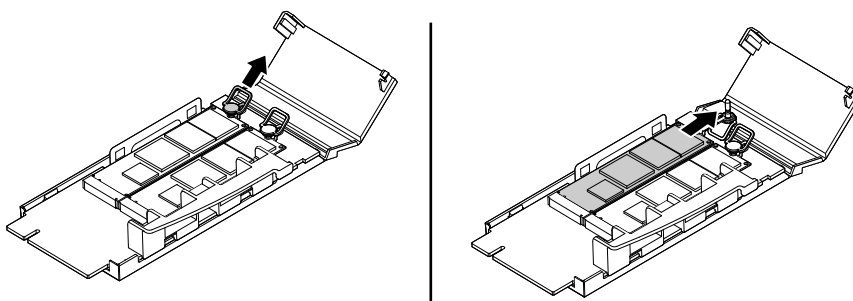


Figure 104. Removing the M.2 solid-state drive

9. Hold the new M.2 solid-state drive by its edges, ensure that the circuit board side is upward, and then insert the drive into the M.2 slot until it is secured tightly. Then, insert the plug of the retention latch into the hole to secure the new drive.

Notes:

- Do not touch the circuit board of the M.2 solid-state drive.
- If only one M.2 solid-state drive is installed on the flex adapter, ensure that you install the drive in the slot printed with SLOT 1.

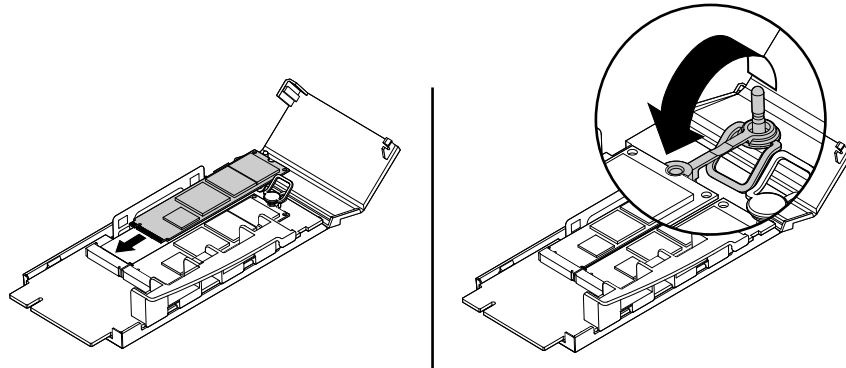


Figure 105. Installing the M.2 solid-state drive

10. Insert the two hooks on the heat sink into the holes in the retention plate on the flex adapter as shown **1**. Then, press the heat sink downward **2**. Ensure that the mounting stud on the heat sink is aligned with the hole in the flex adapter.

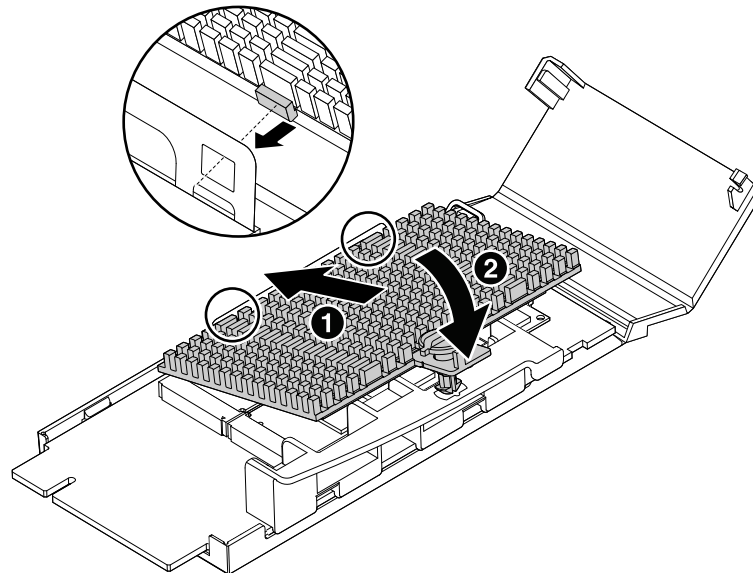


Figure 106. Installing the heat sink onto the flex adapter

11. Pinch the tab of the mounting stud and press the mounting stud downward. Then, turn the mounting stud 90-degree clockwise to secure the heat sink to the flex adapter.

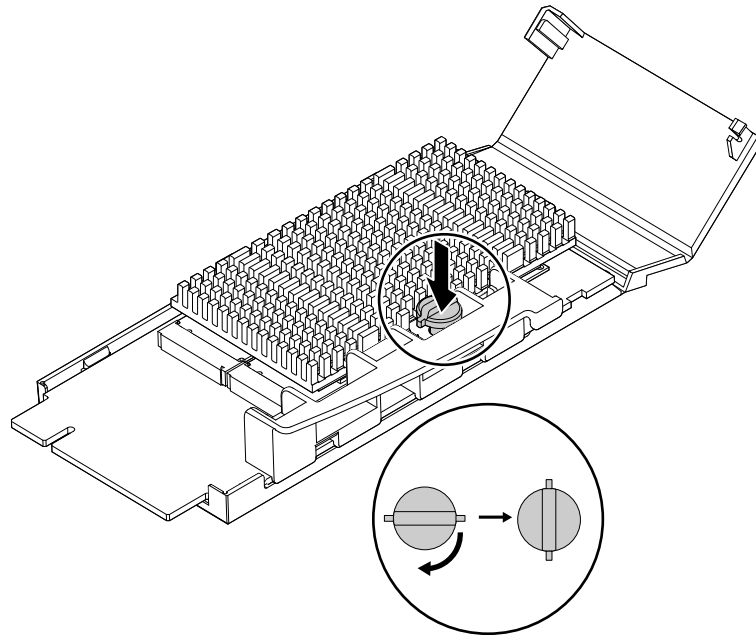


Figure 107. Securing the heat sink on the flex adapter

12. Pivot the cover of the flex adapter as shown until you hear a click. The cover is secured in position.

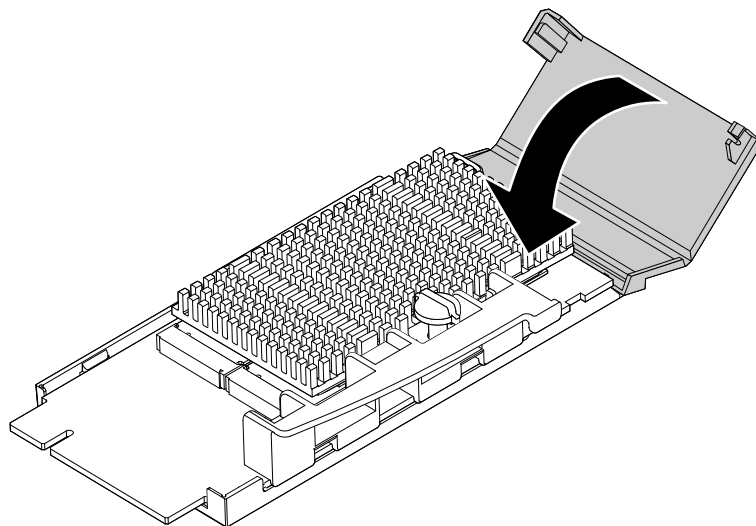


Figure 108. Pivoting the cover of the flex adapter

13. Install the flex adapter into the flex adapter slot. See “Flex adapter” on page 169.

Note: If your computer is installed with only one flex adapter, ensure that you install the flex adapter into the flex adapter slot 1. See “Parts on the system board” on page 35.

What to do next:

- To work with another piece of hardware, go to the appropriate section.
- To complete the installation or replacement, go to “Completing the parts replacement” on page 213.

Blind-connect assembly

Attention: Do not open your computer or attempt any repair before reading and understanding the Chapter 1 “Read this first: Important safety information” on page 1.

To replace the blind-connect assembly, do the following:

1. Prepare your computer. See “Preparing your computer and removing the computer cover” on page 101.
2. Lay the computer on its side for easier access to the blind-connect assembly.
3. Remove the storage drive brackets to get access to the blind-connect assembly at the bottom of the storage drive bay.
4. Record the cable routing and cable connections, and then disconnect all cables from the system board, the RAID card, and the flex adapter.
5. Press and hold the metal retainer **a**, and slide the blind-connect board as shown to release it from the four tabs.

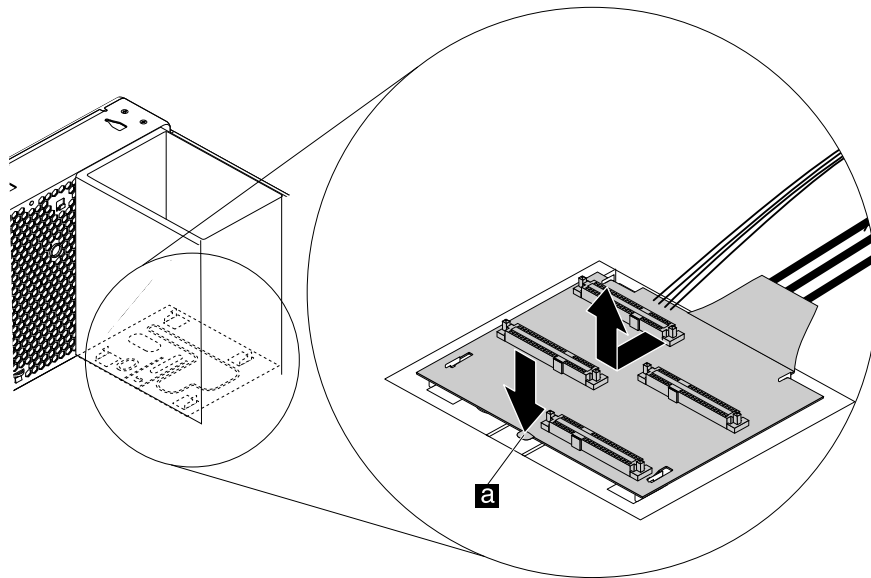


Figure 109. Removing the blind-connect assembly

6. Pull the blind-connect assembly completely out of the chassis and remove the cables through the routing holes.

Notes:

- Be careful when you pull the cables through the holes.

- The cable routing varies depending on whether the blind-connect assembly is installed in the upper drive cage or the lower drive cage. Record the cable routing method before pulling out the cables. When you install the new blind-connect assembly afterwards, route the cables in the same way according to your record. Refer to the figure below for cable routing in the lower drive cage.

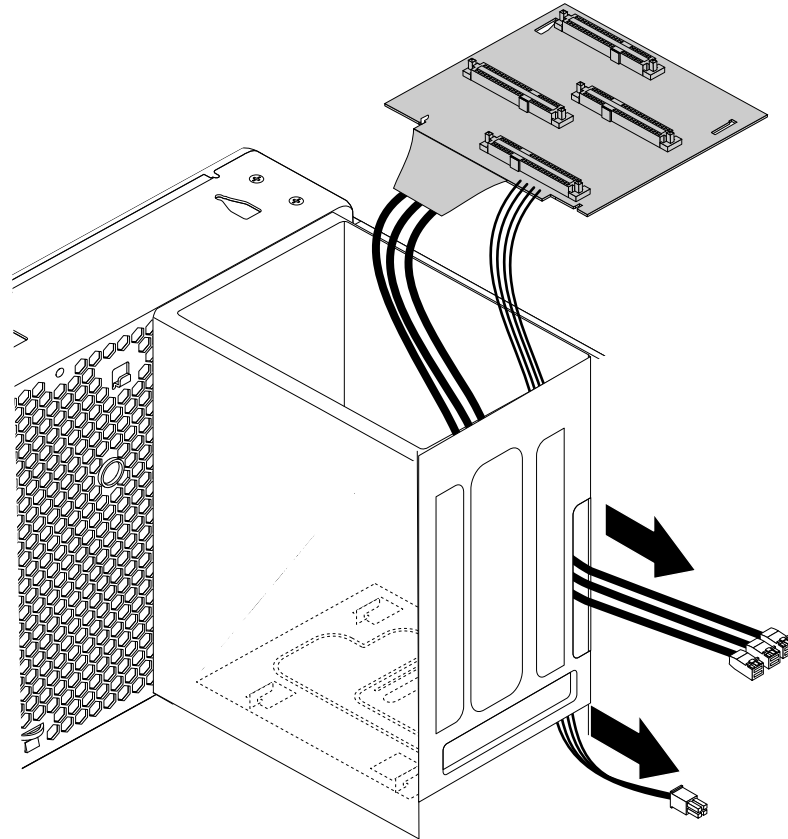


Figure 110. Cable routing for the lower hard disk drive bay

7. Take the new blind-connect assembly. Insert the cables through the routing holes.

- Align the four tabs at the bottom of the storage drive bay with the slots on the new blind-connect board. Then, press down the board and slide it as shown until it snaps into position.

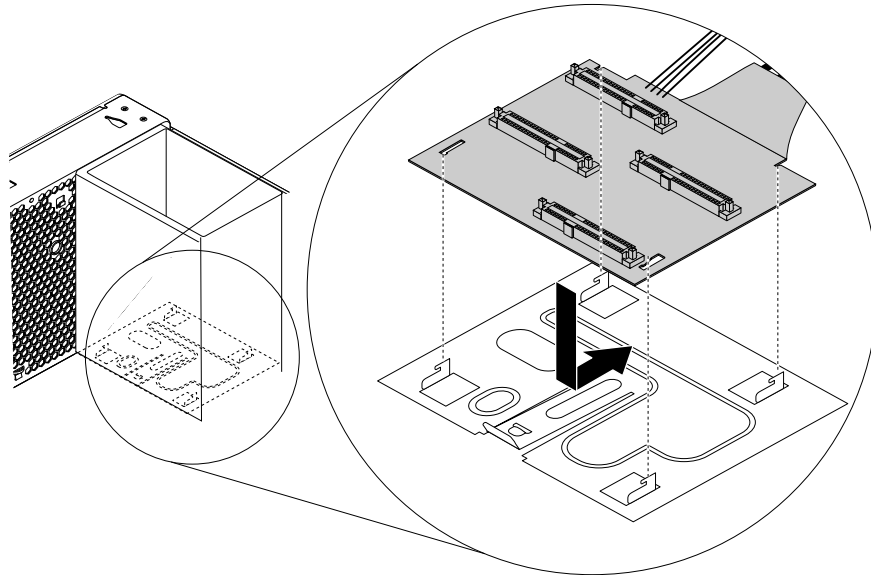


Figure 111. Installing the blind-connect assembly

- If the computer has a RAID card installed, connect the SAS cable to the SAS connector on the RAID card. If no RAID card is installed, connect the SAS cable to the SATA connector **42** or **43** on the system board. See “Parts on the system board” on page 35.
- Connect the power cable to the 4-pin power connector on the system board.
- If your blind-connect assembly comes with two additional cables **1**, connect them to the two PCIe connectors **2** on the flex adapter as shown.

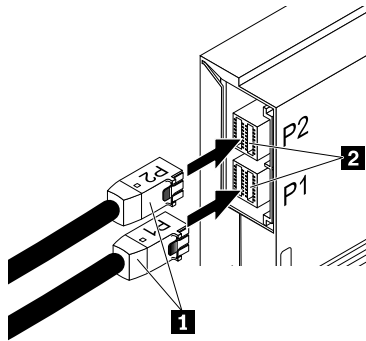


Figure 112. Connecting the blind-connect assembly to the flex adapter

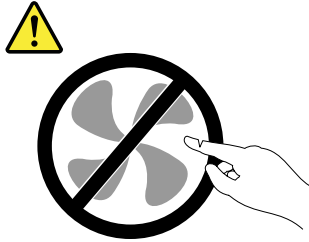
What to do next:

- To work with another piece of hardware, go to the appropriate section.
- To complete the installation or replacement, go to “Completing the parts replacement” on page 213.

Front fan assembly

Attention: Do not open your computer or attempt any repair before reading and understanding the Chapter 1 “Read this first: Important safety information” on page 1.

CAUTION:



Hazardous moving parts. Keep fingers and other body parts away.

To replace a front fan assembly, do the following:

1. Prepare your computer. See “Preparing your computer and removing the computer cover” on page 101.
2. Locate the failing front fan assembly. See “Computer components” on page 32.
3. Press the tab **1** and slide the front fan assembly outward by the handle **2** to remove it from the chassis.

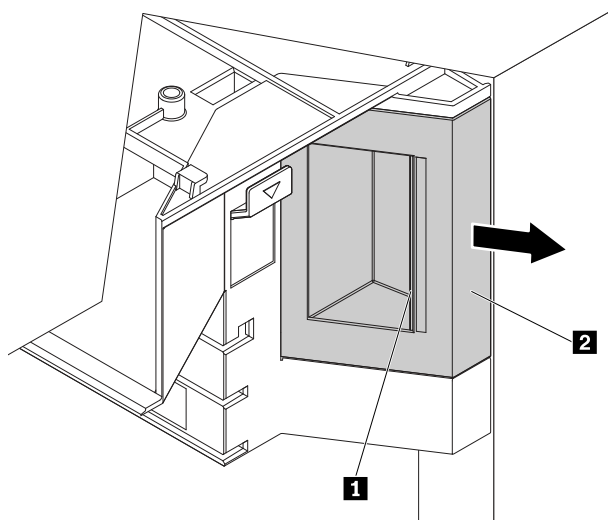


Figure 113. Removing the front fan assembly

4. Slide the front fan assembly into the multi-function bracket until it snaps into position.

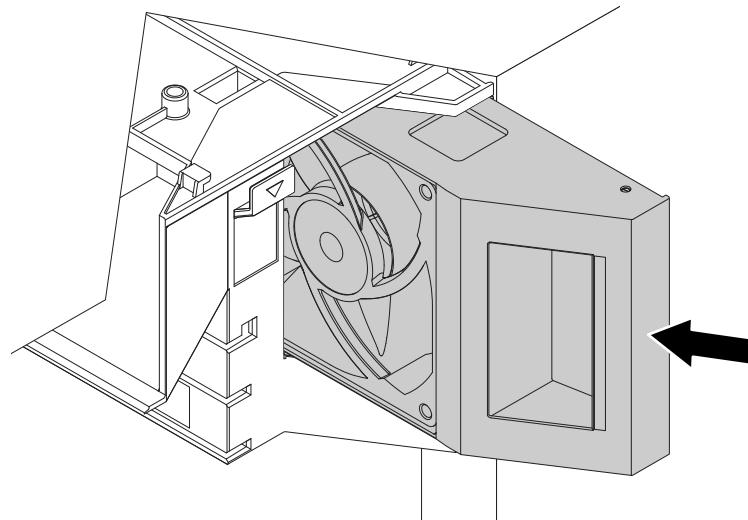


Figure 114. Installing the front fan assembly

What to do next:

- To work with another piece of hardware, go to the appropriate section.
- To complete the installation or replacement, go to “Completing the parts replacement” on page 213.

Multi-function brackets

Attention: Do not open your computer or attempt any repair before reading and understanding the Chapter 1 “Read this first: Important safety information” on page 1.

Your computer is installed with two multi-function brackets. The brackets are used to secure the front fan assembly, flex adapters, and full-length PCI Express cards. The bracket installed in the upper position of the chassis also can be used to secure the power supply assembly.

To remove and reinstall either of the multi-function brackets, do the following:

1. Prepare your computer. See “Preparing your computer and removing the computer cover” on page 101.
2. If necessary, remove the direct cooling air baffle for easier operation. See “Direct cooling air baffle” on page 105.
3. Locate the multi-function bracket you want to remove. See “Computer components” on page 32.
4. If you are replacing the multi-function bracket installed in the upper position of the chassis, remove the power supply assembly. See “Power supply assembly” on page 166.
5. Remove the front fan assembly in the bracket you want to remove. See “Front fan assembly” on page 163.
6. Lay the computer on its side for easier access to the bracket.

7. Hold the handle **1** and the foot **2** at the same time and pull the bracket to the rear of the chassis to remove the bracket.

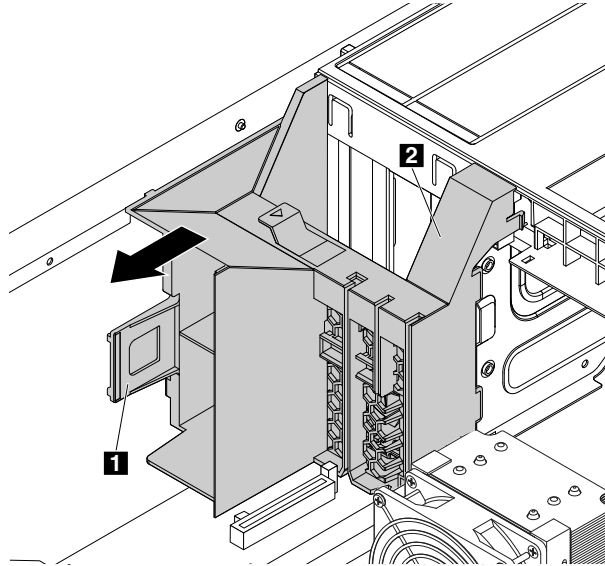


Figure 115. Removing the multi-function bracket

8. Align the three tabs **1** on the bracket with the corresponding holes in the chassis. Then, insert the three tabs into the corresponding holes until the bracket snaps into position.

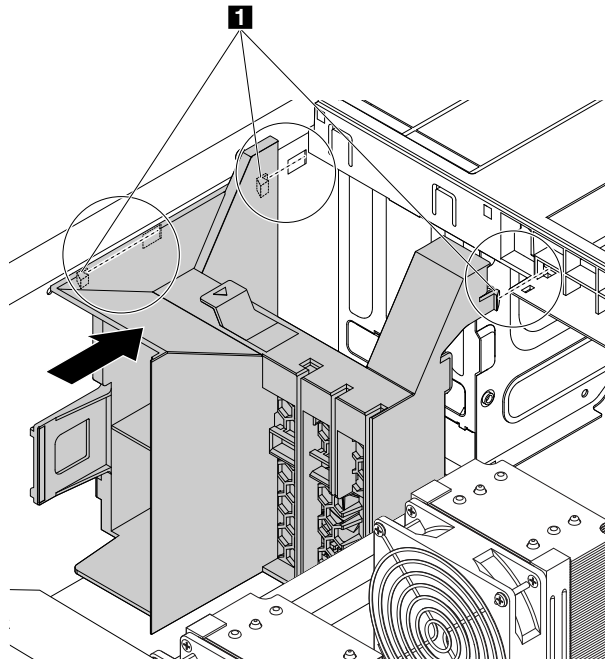


Figure 116. Reinstalling the multi-function bracket

What to do next:

- To work with another piece of hardware, go to the appropriate section.

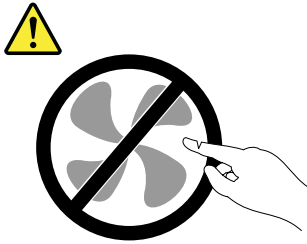
- To complete the installation or replacement, go to “Completing the parts replacement” on page 213.

Power supply assembly

Attention: Do not open your computer or attempt any repair before reading and understanding the Chapter 1 “Read this first: Important safety information” on page 1.

Although there are no moving parts in your computer after the power cord has been disconnected, the following warnings are required for your safety and proper Underwriters Laboratories (UL) certification.

CAUTION:



Hazardous moving parts. Keep fingers and other body parts away.

CAUTION:

Never remove the cover on a power supply or any part that has the following label attached.



Hazardous voltage, current, and energy levels are present inside any component that has this label attached. There are no serviceable parts inside these components. If you suspect a problem with one of these parts, contact a service technician.

To replace the power supply assembly, do the following:

1. Prepare your computer. See “Preparing your computer and removing the computer cover” on page 101.
2. Locate the power supply assembly. See “Computer components” on page 32.

3. Pivot the handle **1** to the left at an angle of about 90 degrees. Then, pull the handle as shown to remove the power supply assembly from the chassis.

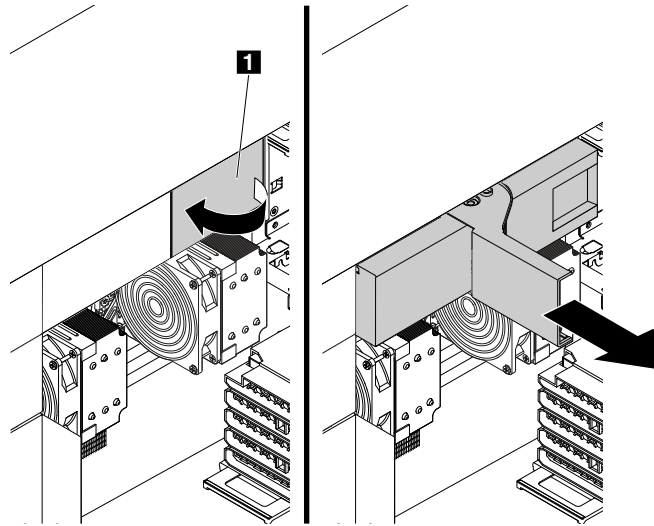


Figure 117. Removing the power supply assembly

4. With the handle **1** open, slide the power supply assembly into the power supply assembly bay until it snaps into position. Pivot the handle to the closed position to ensure that the new power supply assembly is fully installed into position.

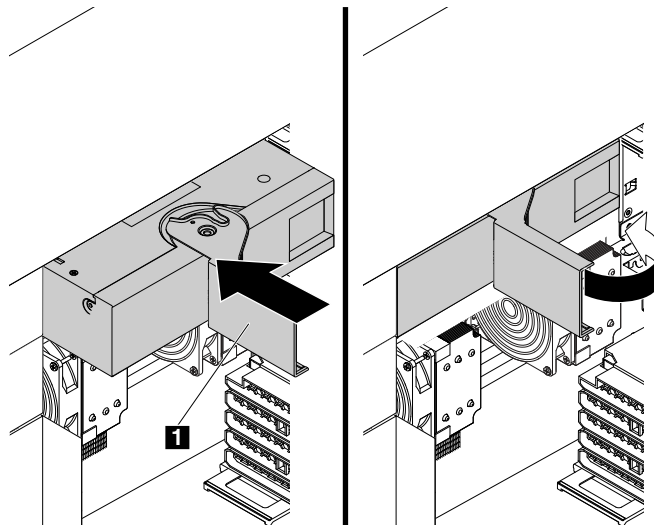


Figure 118. Installing the power supply assembly

What to do next:

- To work with another piece of hardware, go to the appropriate section.
- To complete the installation or replacement, go to “Completing the parts replacement” on page 213.

Battery

Attention: Do not open your computer or attempt any repair before reading and understanding the Chapter 1 “Read this first: Important safety information” on page 1.

Your computer has a special type of memory that maintains the date, time, and settings for built-in features, such as parallel-connector assignments (configuration). A battery keeps this information active when you turn off the computer.

The battery normally requires no charging or maintenance throughout its life; however, no battery lasts forever. If the battery fails, the date, time, and configuration information (including passwords) are lost. An error message is displayed when you turn on the computer.

Refer to the “Lithium coin cell battery notice” in the *Safety, Warranty, and Setup Guide* for information about disposing of the battery.

To replace the battery, do the following:

1. Prepare your computer. See “Preparing your computer and removing the computer cover” on page 101.
2. Remove the direct cooling air baffle. See “Direct cooling air baffle” on page 105.
3. To access the battery, you must remove the power supply assembly, the upper front fan assembly, and the upper multi-function bracket. See “Power supply assembly” on page 166, “Front fan assembly” on page 163, and “Multi-function brackets” on page 164.
4. Locate the battery. See “Parts on the system board” on page 35.
5. Remove the old battery as shown.

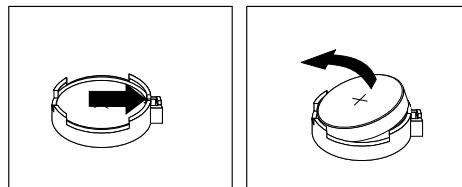


Figure 119. Removing the battery

6. Install the new battery as shown.

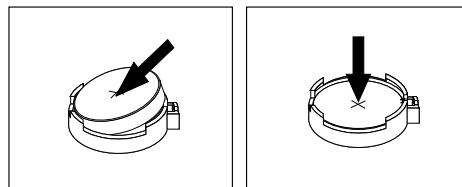


Figure 120. Installing the battery

7. Reinstall the upper multi-function bracket, the upper front fan assembly, and the power supply assembly. See “Multi-function brackets” on page 164, “Front fan assembly” on page 163, and “Power supply assembly” on page 166.
8. Reinstall the direct cooling air baffle. See “Direct cooling air baffle” on page 105.
9. Reinstall the computer cover and reconnect the cables. See “Completing the parts replacement” on page 213.

Note: When the computer is turned on for the first time after replacing the battery, an error message might be displayed. This is normal after replacing the battery.

10. Turn on the computer and all attached devices.
11. Use the Setup Utility program to set the date, time, and any passwords. See “Using the Setup Utility program” on page 65.

Flex adapter

Attention: Do not open your computer or attempt any repair before reading and understanding the Chapter 1 “Read this first: Important safety information” on page 1.

Depending on your computer model, the following flex adapters might be installed in the flex adapter slots:

- Flex adapter with two mini-SAS HD connectors
- Flex adapter with one SATA 3.0 connector, one USB 2.0 connector, and two mini-SAS HD connectors
- Flex adapter with two M.2 slots (with the M.2 solid-state drive installed in some models)

To install or replace a flex adapter, do the following:

1. Prepare your computer. See “Preparing your computer and removing the computer cover” on page 101.
2. Lay the computer on its side for easier access to the flex adapter slots.
3. Locate the flex adapter slot in which you want to install or replace a flex adapter. See “Parts on the system board” on page 35.

Note: If your computer is installed with only one microprocessor, ensure you install a flex adapter into the flex adapter slot 1. If your computer is installed with two microprocessors, ensure that you install flex adapters into the flex adapter slot 1 first, and then the flex adapter slot 2.

4. Depending on whether you are installing or replacing a flex adapter, do one of the following:
 - If you are installing a flex adapter, pivot the tab **1** upward to open the latch **2** inside the multi-function bracket.

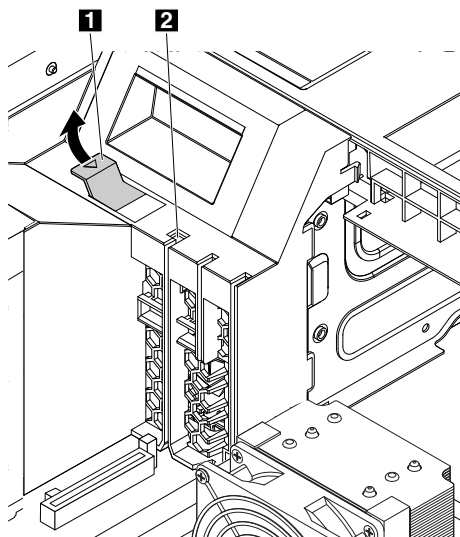


Figure 121. Opening the card latch

- If you are replacing a failing flex adapter, pivot the tab **1** upward to open the latch **2** inside the multi-function bracket. Then, grasp the failing flex adapter by its edges and gently pull it out of the flex adapter slot.

Notes:

- If there is any cable connected to the failing flex adapter, disconnect the cable first.
- The flex adapter might fit tightly into the flex adapter slot. If necessary, alternately move each side of the adapter a small amount until it is removed from the slot.

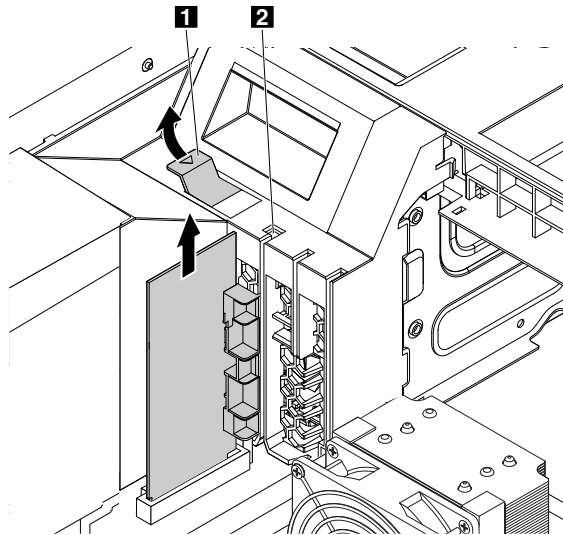


Figure 122. Removing the flex adapter

- Align the notch **1** on the new flex adapter with the slot key **2** in a flex adapter slot. Then, slide the plastic retainer of the new flex adapter downward into the corresponding slot in the multi-function bracket. Then, insert the adapter into the flex adapter slot until it is secured tightly.

Notes:

- Do not touch the circuit board of the flex adapter.
- Ensure that you install the flex adapter only into a flex adapter slot. Do not install the flex adapter into a PCI or PCI Express card slot.

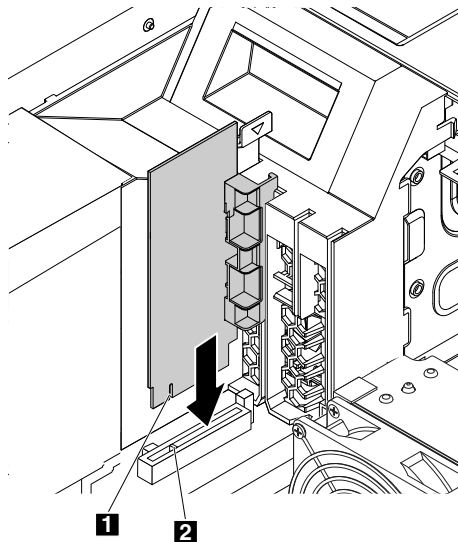


Figure 123. Installing the flex adapter

- Pivot the tab **1** downward until it snaps into position. Ensure that the latch inside the multi-function bracket is closed.

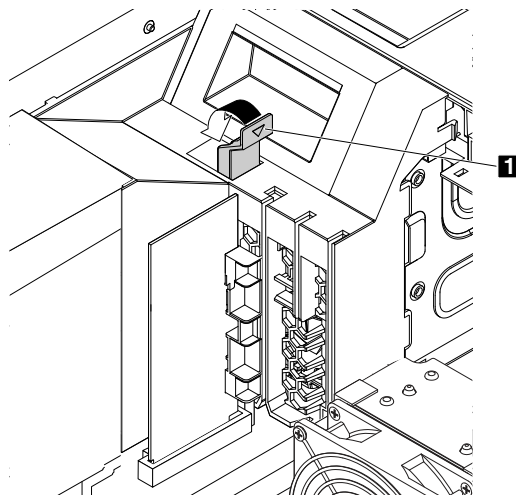


Figure 124. Closing the card latch

- If a device only works with its cable connected to the flex adapter, connect the cable to the new flex adapter.

What to do next:

- To work with another piece of hardware, go to the appropriate section.
- To complete the installation or replacement, go to “Completing the parts replacement” on page 213.

PCI card

Attention: Do not open your computer or attempt any repair before reading and understanding the Chapter 1 “Read this first: Important safety information” on page 1.

Your computer has the following PCI card slots:

- PCI Express x1 card slot
- PCI Express x4 card slot
- PCI Express x16 graphics card slot

Notes:

- PCI cards available vary by computer model.
- To install or replace a full-length PCI Express card, see “Full-length PCI Express card” on page 180.
- If you want to use an NVIDIA compute card, ensure that your computer also has an NVIDIA graphics card installed.

To install or replace a PCI card, do the following:

1. Prepare your computer. See “Preparing your computer and removing the computer cover” on page 101.
2. Lay the computer on its side for easier access to the PCI card slots.
3. Locate the PCI card slot in which you want to install or replace a PCI card. See “Parts on the system board” on page 35.

Note: If your computer is installed with only one microprocessor, refer to the order of installing PCI cards shown on the left figure. If your computer is installed with two microprocessors, refer to the order of installing PCI cards shown on the right figure. Install PCI Express cards according to the corresponding slot types and the installation order.

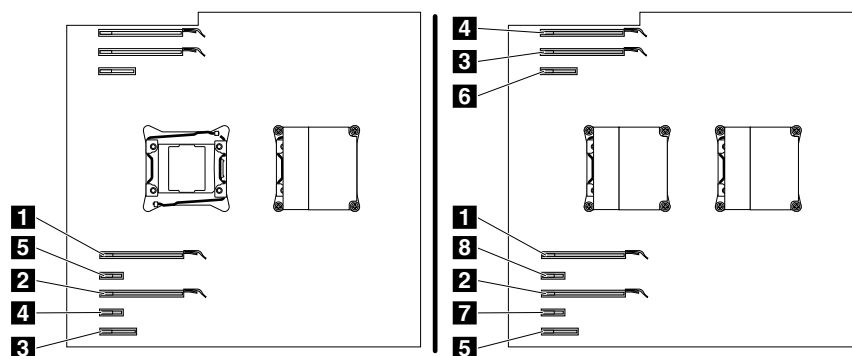


Figure 125. The order of installing PCI cards

4. If necessary, remove the direct cooling air baffle for easier operation. See “Direct cooling air baffle” on page 105.
5. Depending on whether you are installing or replacing a PCI card, do one of the following:
 - If you are installing a PCI card, do the following:

- a. On the left of the PCI card slot, lift the handle **2** until it stops, and then pivot it to the left until it stops. The PCI card latch **1** is opened.

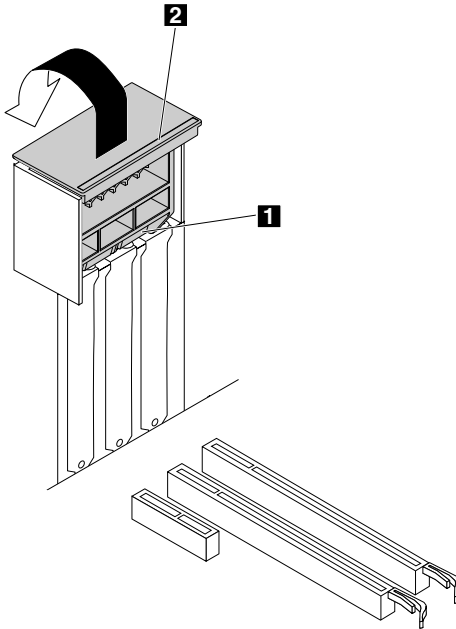


Figure 126. Opening the PCI card latch

- b. Remove the appropriate metal slot cover on the rear of the chassis.
- If you are replacing a PCI card, do the following:
 - a. For some models, you must remove the PCI card retainer first. Pivot the tab **1** upward to open the latch **2** inside the multi-function bracket.

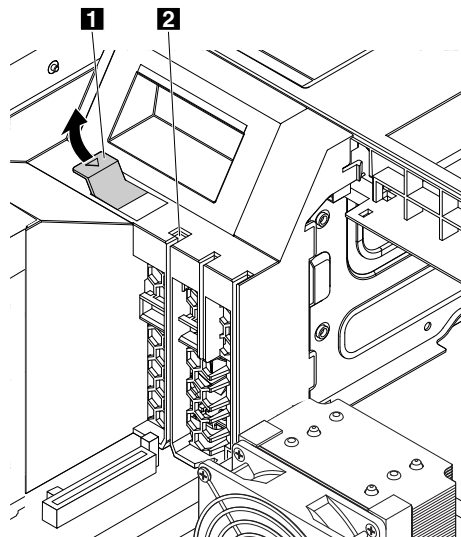


Figure 127. Opening the card latch

- b. Grasp the PCI card retainer by its edges and gently pull it out of the latch. Remove the retainer completely from the PCI card latch.

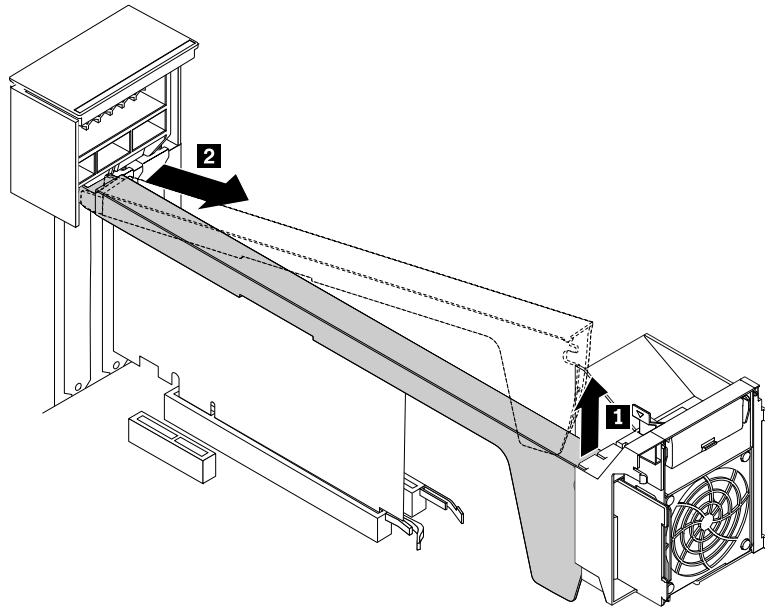


Figure 128. Removing the PCI card retainer

- c. On the left of the PCI card slot, lift the handle **2** until it stops, and then pivot it to the left until it stops. The PCI card latch **1** is opened.

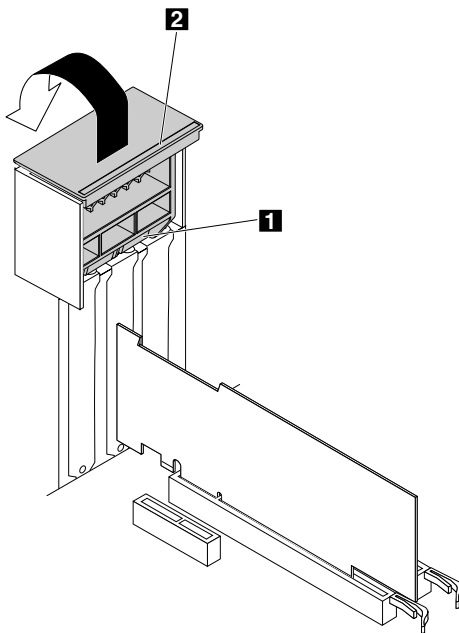


Figure 129. Opening the PCI card latch

- d. Grasp the card that is currently installed and gently pull it out of the slot.

Notes:

- If the card is connected to other device, disconnect the cables from the card.
- If the card is held in place by a retaining latch, press the card retaining latch **1** as shown to disengage the latch. Grasp the card and gently pull it out of the slot.

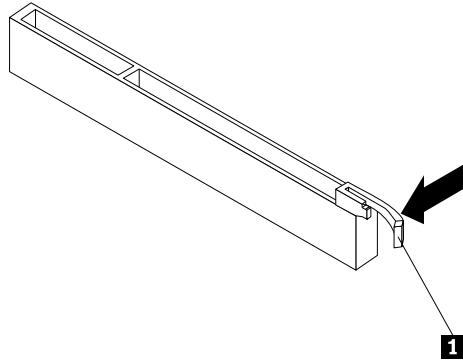


Figure 130. Disengaging the card retaining latch

- The card fits tightly into the card slot. If necessary, alternate moving each side of the card a small amount until it is removed from the card slot.

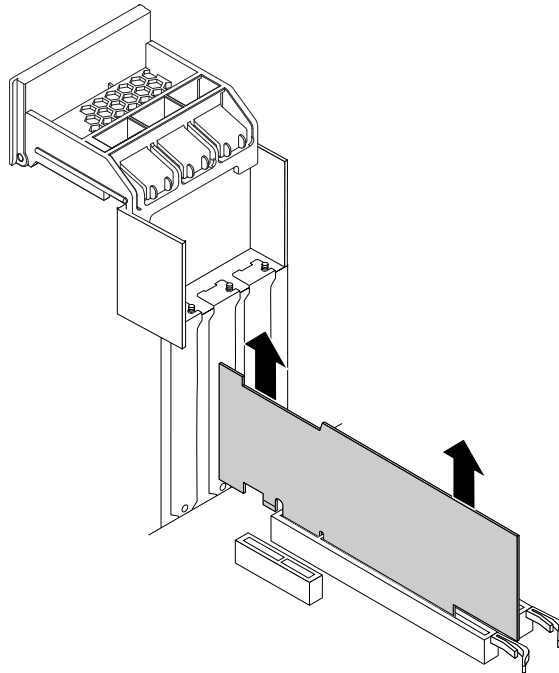


Figure 131. Removing the PCI card

6. To install a new PCI card, align the notch **1** on the new PCI card with the slot key **2** in the PCI card slot. Then, insert the new PCI card downward into the card slot until it is secured tightly. See “Parts on the system board” on page 35.

Note: Do not touch the circuit board of the PCI card.

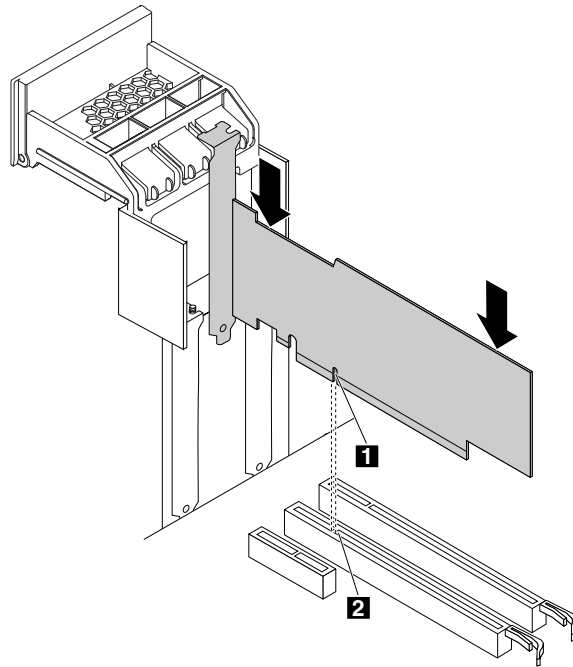


Figure 132. Installing the PCI card

- Pivot the handle **2** to the right until it stops, and then press it downward until the latch **1** snaps into position.

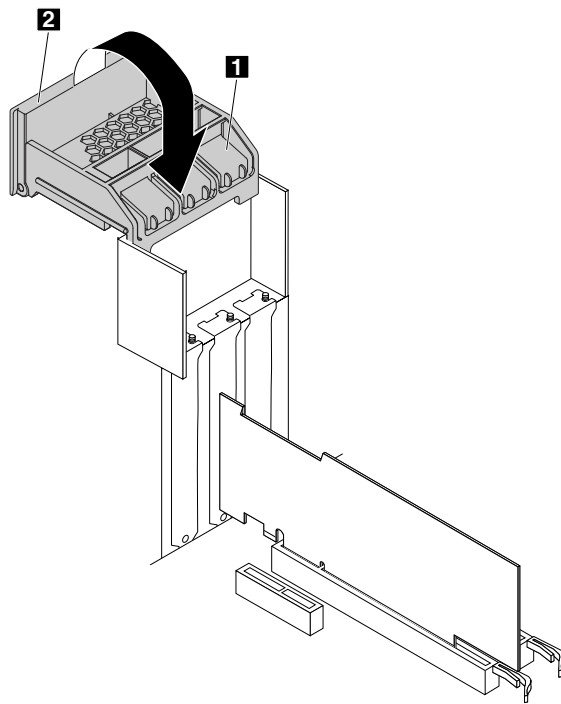


Figure 133. Closing the PCI card latch

8. Insert the corresponding end of the PCI card retainer into the gaps in the PCI card latch as shown. Pivot the retainer downward to insert part **a** into the corresponding slot in the front fan assembly.

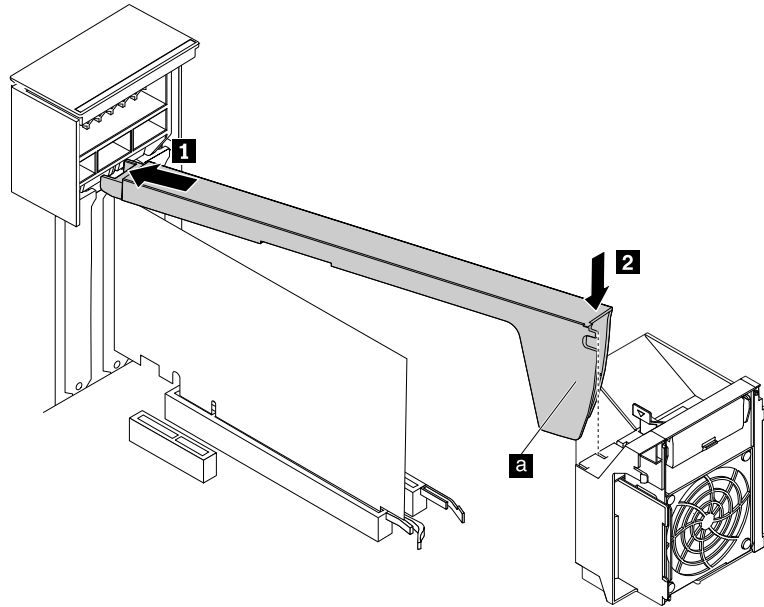


Figure 134. Installing the PCI card retainer

9. Pivot the tab **1** downward until it snaps into position.

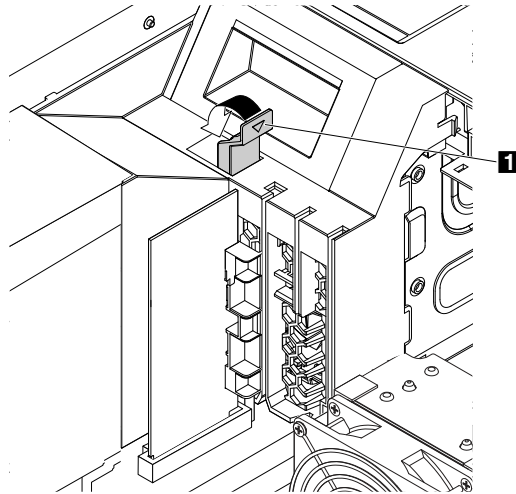


Figure 135. Closing the card latch

10. If the new PCI card needs to be connected to another device, connect the cable of the device to the card.
11. Reinstall the direct cooling air baffle if you have removed it. See “Direct cooling air baffle” on page 105.

What to do next:

- To work with another piece of hardware, go to the appropriate section.
- To complete the installation or replacement, go to “Completing the parts replacement” on page 213.

Full-length PCI Express card

Attention: Do not open your computer or attempt any repair before reading and understanding the Chapter 1 “Read this first: Important safety information” on page 1.

Your computer has the following PCI card slots:

- PCI Express x1 card slot
- PCI Express x4 card slot
- PCI Express x16 graphics card slot

Notes:

- The full-length PCI Express card is available only on some models.
- If you want to use an NVIDIA compute card, ensure that your computer also has an NVIDIA graphics card installed.

To install or replace a full-length PCI Express card, do the following:

1. Prepare your computer. See “Preparing your computer and removing the computer cover” on page 101.
2. Lay the computer on its side for easier access to the PCI card slots.
3. Locate the PCI card slot in which you want to install or replace a PCI card. See “Parts on the system board” on page 35.

Note: If your computer is installed with only one microprocessor, refer to the order of installing PCI cards shown on the left figure. If your computer is installed with two microprocessors, refer to the order of installing PCI cards shown on the right figure.

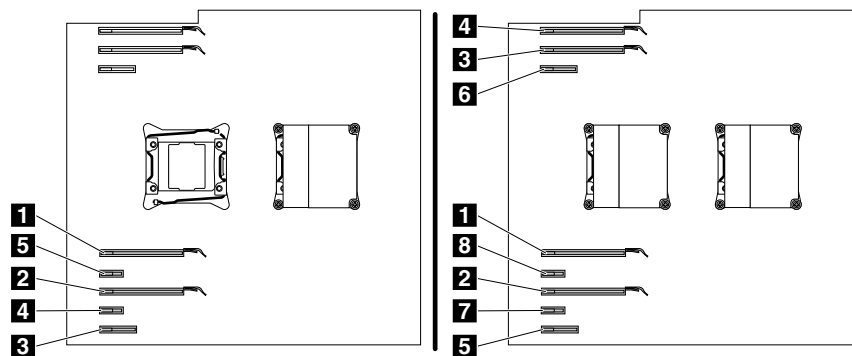


Figure 136. The order of installing PCI cards

4. Remove the direct cooling air baffle if it impedes your operation. See “Direct cooling air baffle” on page 105.
5. Depending on whether you are installing or replacing a full-length PCI Express card, do one of the following:
 - If you are installing a full-length PCI Express card, do the following:

- a. On the right of the PCI card slot, pivot the tab **1** outward until it stops. The card latch **2** is opened. On the left of the PCI card slot, lift the handle **4** until it stops, and then pivot it to the left until it stops. The card latch **3** is opened.

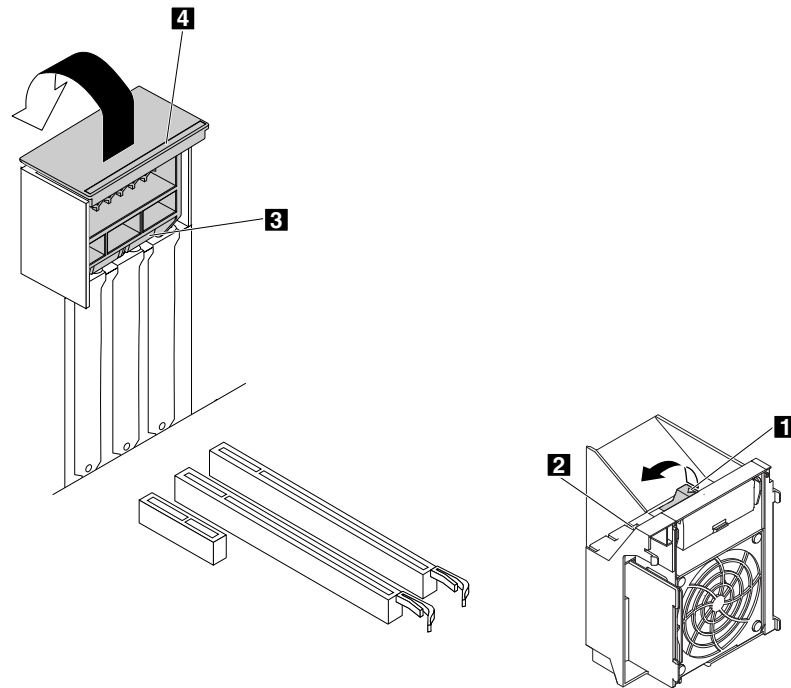


Figure 137. Opening PCI card latches

- b. Remove the metal slot cover of the PCI card slot on the rear of the chassis.
- If you are replacing a full-length PCI Express card, do the following:

- a. On the right of the PCI card slot, pivot the tab **1** outward until it stops. The card latch **2** is opened. On the left of the PCI card slot, lift the handle **4** until it stops, and then pivot it to the left until it stops. The card latch **3** is opened.

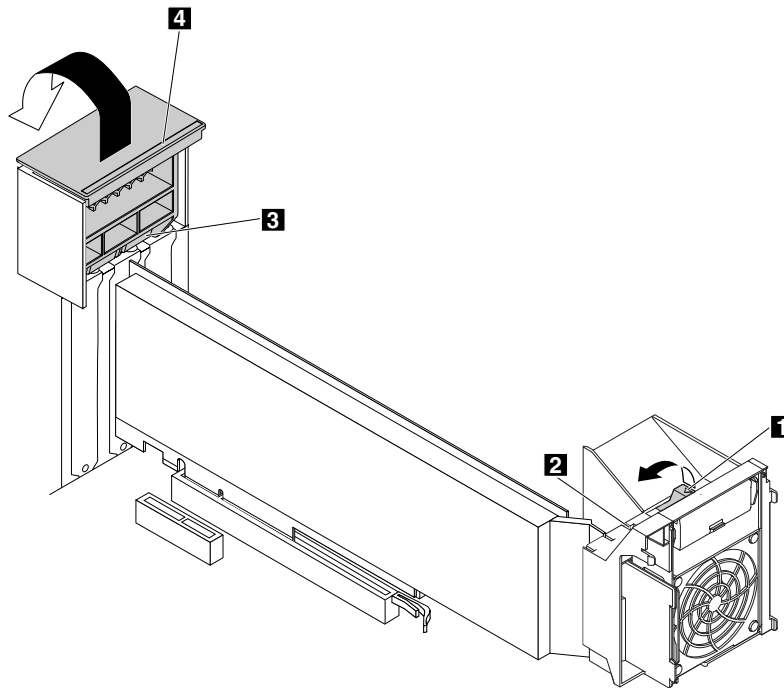


Figure 138. Opening PCI card latches

- b. Disconnect the power cable from the full-length PCI Express card, and then grasp the card that is currently installed and gently pull it out of the slot.

Notes:

- If the card is held in place by a retaining latch, press the card retaining latch **1** as shown to disengage the latch. Grasp the card and gently pull it out of the slot.

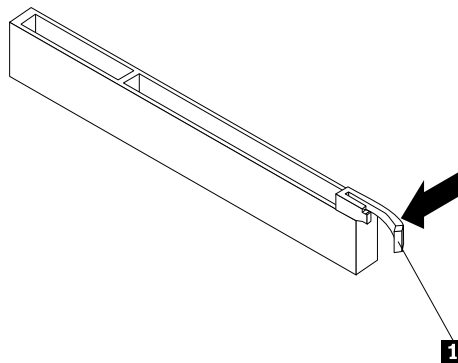


Figure 139. Disengaging the card retaining latch

- The card fits tightly into the card slot. If necessary, alternate moving each side of the card a small amount until it is removed from the card slot.

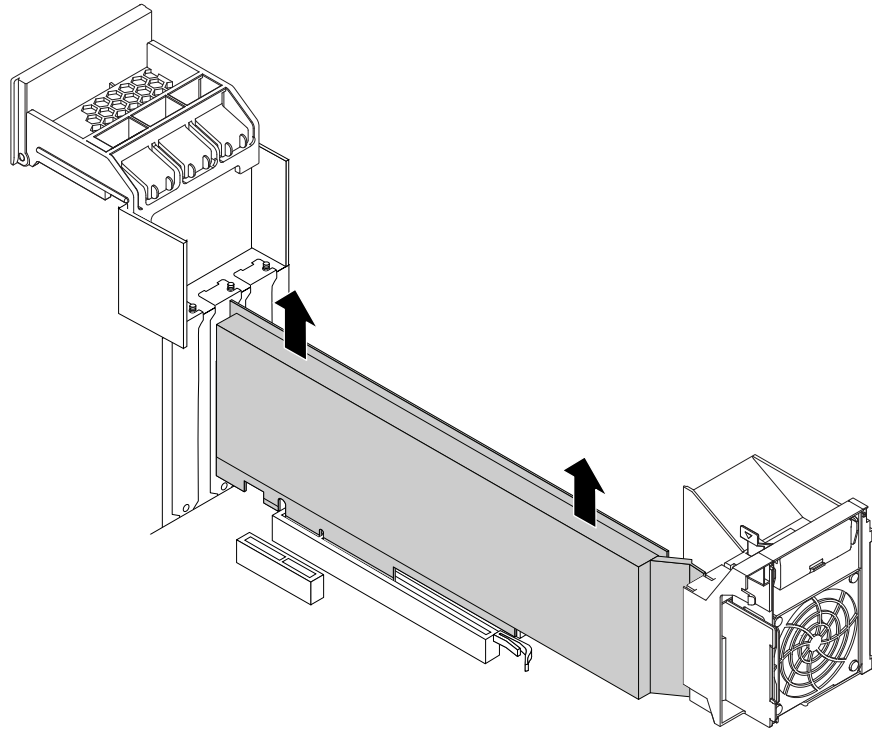


Figure 140. Removing the full-length PCI Express card

6. To install a new full-length PCI Express card, align the notch **1** on the new full-length PCI Express card with the slot key **2** in the PCI card slot. Then, insert the new card downward into the card slot until it is secured tightly. See “Parts on the system board” on page 35.

Note: Do not touch the circuit board of the PCI card.

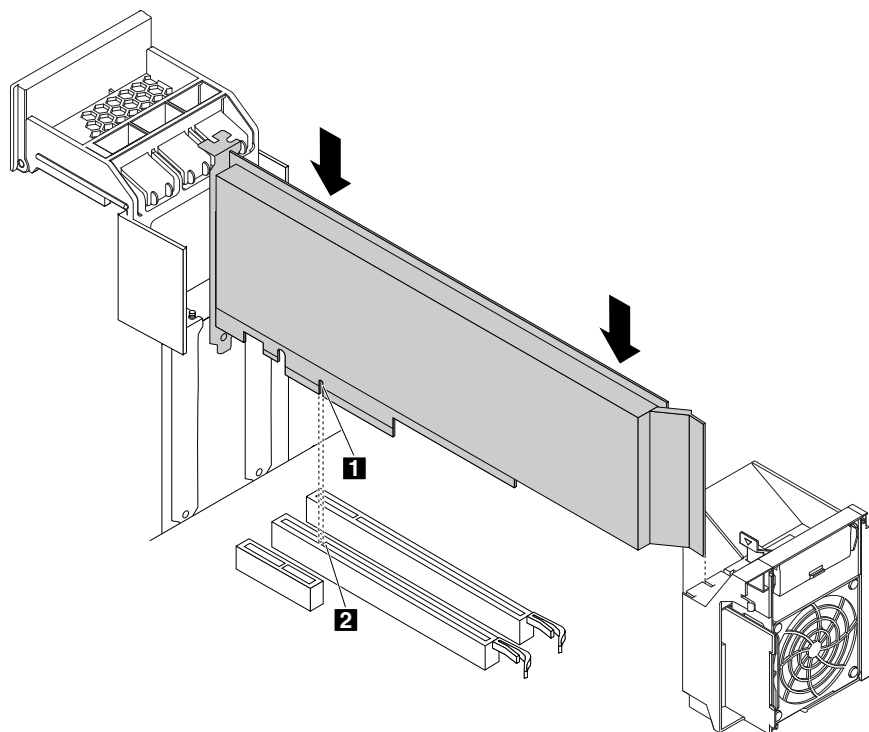


Figure 141. Installing the full-length PCI Express card

- Pivot the handle **2** to the right until it stops, and then press it downward until the latch **1** snaps into position. Pivot the tab **3** inward until it snaps into position.

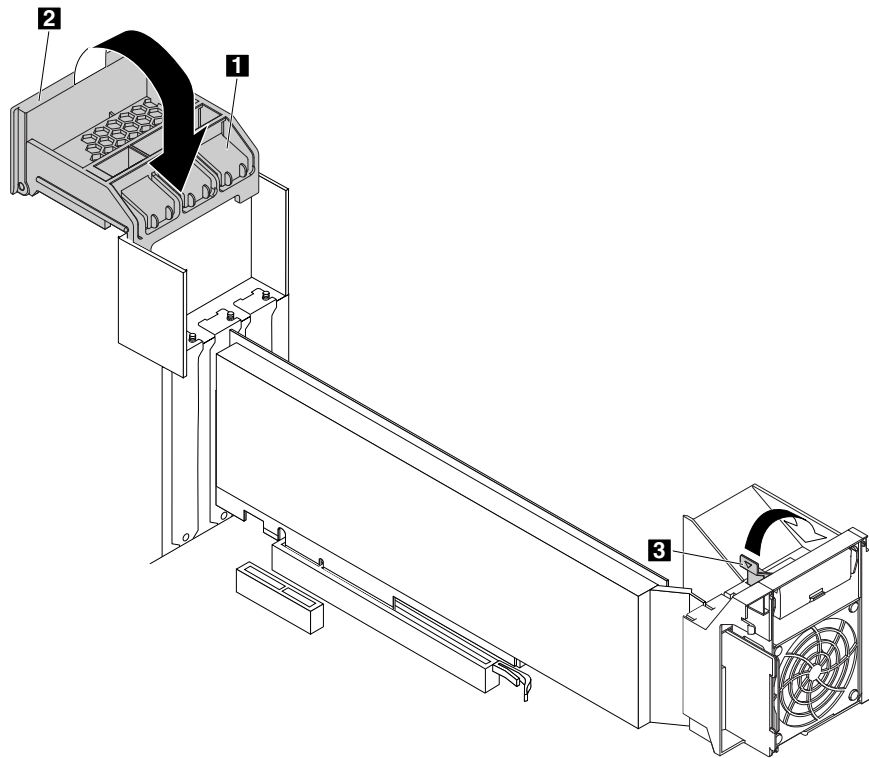


Figure 142. Closing PCI card latches

- Connect the power cable of the full-length PCI Express card to the new card. See “Parts on the system board” on page 35.
- Reinstall the direct cooling air baffle if you have removed it. See “Direct cooling air baffle” on page 105.

What to do next:

- To work with another piece of hardware, go to the appropriate section.
- To complete the installation or replacement, go to “Completing the parts replacement” on page 213.

Super capacitor module

Attention: Do not open your computer or attempt any repair before reading and understanding the Chapter 1 “Read this first: Important safety information” on page 1.

To install or replace the super capacitor module, do the following:

- Prepare your computer. See “Preparing your computer and removing the computer cover” on page 101.
- Lay the computer on its side for easier access to the super capacitor module.
- Locate the PCI Express card slot in which the super capacitor module holder is installed. See “Computer components” on page 32.

4. If necessary, remove the direct cooling air baffle for easier operation. See “Direct cooling air baffle” on page 105.
5. Depending on whether you are installing or replacing the super capacitor module, do one of the following:
 - If you are installing the super capacitor module, go to step 7.
 - If you are replacing the super capacitor module, do the following:
 - a. Disconnect the super capacitor module cable from the RAID card.
 - b. Remove the holder with the failing super capacitor module from the PCI Express card slot in which it is installed. See “PCI card” on page 172.
 - c. Gently pivot the plastic retaining clip **1** on the bracket as shown and remove the failing super capacitor module from the bracket at the same time.

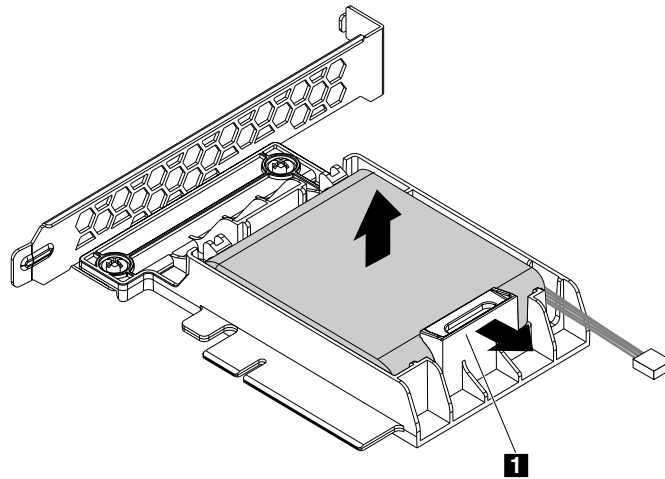


Figure 143. Removing the super capacitor module from the bracket

6. Touch the static-protective package that contains the new super capacitor module and its holder to any unpainted surface on the outside of the computer. Then, remove the new super capacitor module and its holder from the package.

7. Gently pivot the plastic retaining clip **1** on the bracket as shown and install the new super capacitor module into the bracket at the same time.

Note: Ensure that the cable of the super capacitor module is oriented as shown.

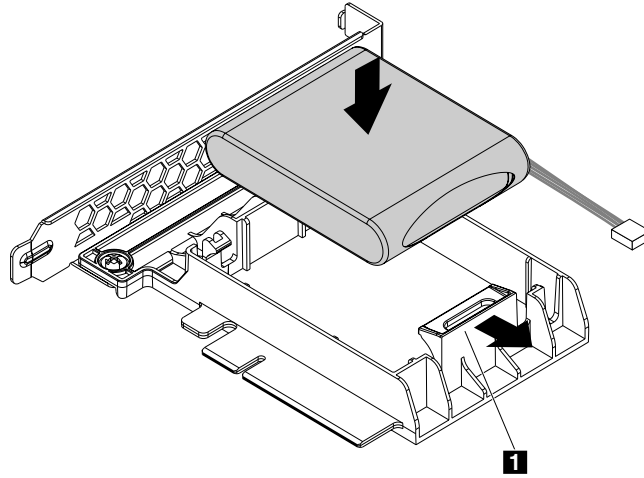


Figure 144. Installing the super capacitor module into the bracket

8. Install the holder with the new super capacitor module into a PCI Express card slot. See “PCI card” on page 172.

Note: It is recommended that you use the PCI Express card slot with the fewest lanes.

9. Connect the super capacitor module cable to the super capacitor module connector on the RAID card as shown.

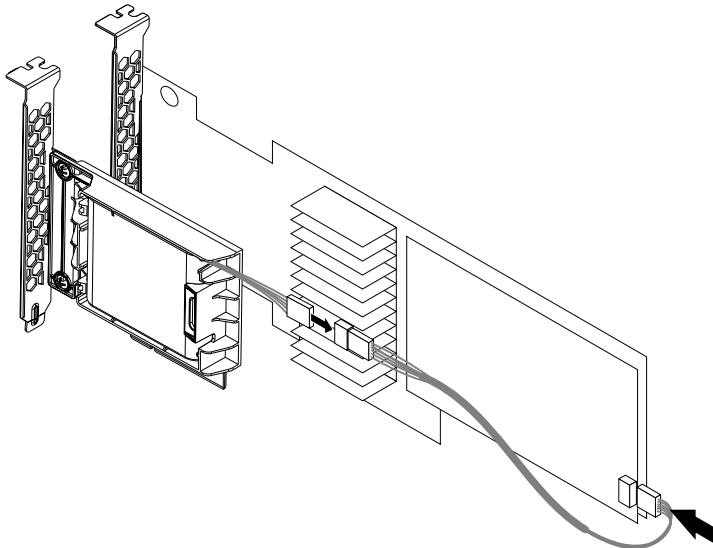


Figure 145. Connecting the super capacitor module cable

10. Reinstall the direct cooling air baffle if you have removed it. See “Direct cooling air baffle” on page 105.

What to do next:

- To work with another piece of hardware, go to the appropriate section.
- To complete the installation or replacement, go to “Completing the parts replacement” on page 213.

Memory module

Attention: Do not open your computer or attempt any repair before reading and understanding the Chapter 1 “Read this first: Important safety information” on page 1.

Your computer has 16 slots for installing or replacing DDR4 DIMMs that provide up to a maximum of 1024 GB system memory. When installing or replacing a memory module, use the following guidelines:

- Use any of DDR4 ECC RDIMMs or DDR4 ECC LRDIMMs for your computer. Do not install the RDIMMs and LRDIMMs into the same computer.
- Use 4 GB, 8 GB, 16 GB, or 32 GB RDIMMs in any combination up to a maximum of 512 GB.
- Use 64 GB LRDIMMs up to a maximum of 1024 GB.

To install or replace a memory module, do the following:

1. Prepare your computer. See “Preparing your computer and removing the computer cover” on page 101.
2. Remove the direct cooling air baffle. See “Direct cooling air baffle” on page 105.
3. Lay the computer on its side for easier access to the memory slots.
4. Locate the memory slot in which you want to install or replace a memory module.

Note: If your computer is installed with only one microprocessor, refer to the order of installing memory modules shown on the left figure. If your computer is installed with two microprocessors, refer to the order of installing memory modules shown on the right figure.

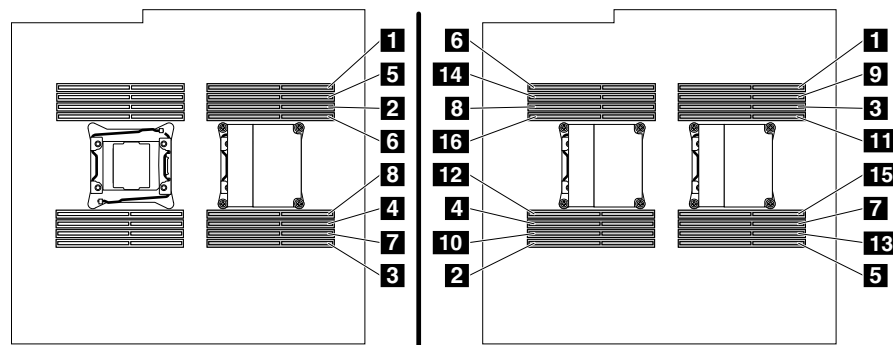


Figure 146. The order of installing memory modules

5. Depending on whether you are installing or replacing a memory module, do one of the following:

- If you are installing a memory module, open the retaining clips of the memory slot into which you want to install the memory module.

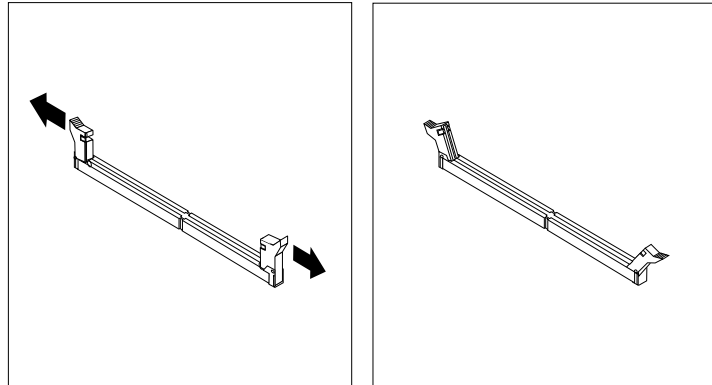


Figure 147. Opening retaining clips

- If you are replacing a memory module, open the retaining clips and gently pull the memory module out of the memory slot.

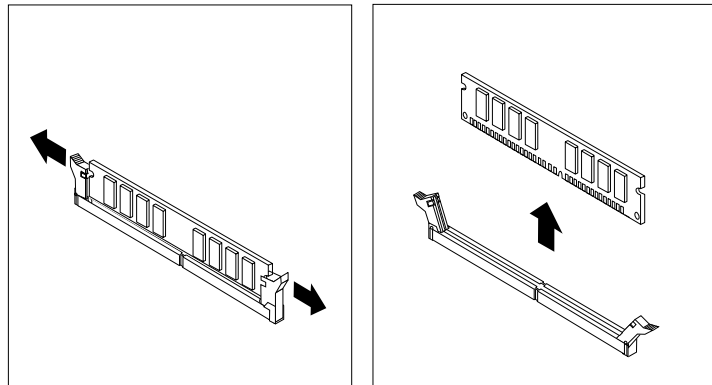


Figure 148. Removing the memory module

6. To install a new memory module, position the new memory module over the memory slot. Ensure that the notch **1** on the memory module aligns correctly with the slot key **2** on the system board. Push the memory module straight down into the slot until the retaining clips close.

Note: Do not touch the circuit board of the memory module.

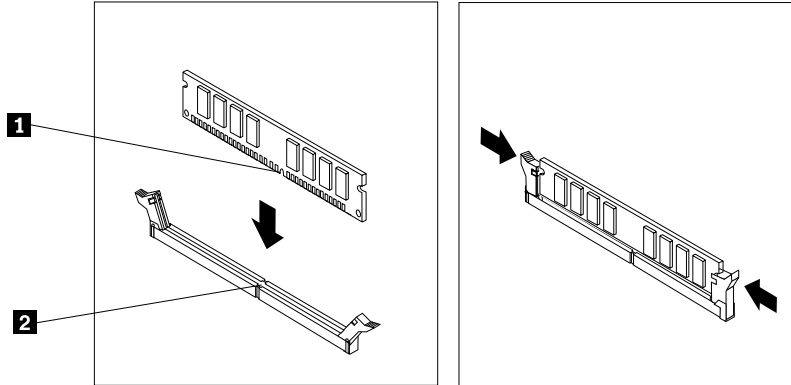


Figure 149. Installing the memory module

7. Reinstall the direct cooling air baffle. See “Direct cooling air baffle” on page 105.

What to do next:

- To work with another piece of hardware, go to the appropriate section.
- To complete the installation or replacement, go to “Completing the parts replacement” on page 213.

Heat sink and fan assemblies

Attention: Do not open your computer or attempt any repair before reading and understanding the Chapter 1 “Read this first: Important safety information” on page 1.

CAUTION:



The heat sink and fan assembly might be very hot. Before you open the computer cover, turn off the computer and wait several minutes until the computer is cool.

Depending on your computer model, your computer might be installed with one or two heat sink and fan assemblies.

To replace the heat sink and fan assemblies, do the following:

1. Prepare your computer. See “Preparing your computer and removing the computer cover” on page 101.
2. Remove the direct cooling air baffle. See “Direct cooling air baffle” on page 105.
3. Lay the computer on its side for easier access to the heat sink and fan assembly.
4. Locate the heat sink and fan assembly that does not work properly. See “Computer components” on page 32.
5. Disconnect the heat sink and fan assembly cable from the system board.

6. Follow this sequence to remove the four screws that secure the heat sink and fan assembly to the system board:
 - a. Partially remove screw **1**, then fully remove screw **2**, and then fully remove screw **1**.
 - b. Partially remove screw **3**, then fully remove screw **4**, and then fully remove screw **3**.

Note: Carefully remove the four screws from the system board to avoid any possible damage to the system board. The four screws cannot be removed from the heat sink and fan assembly.

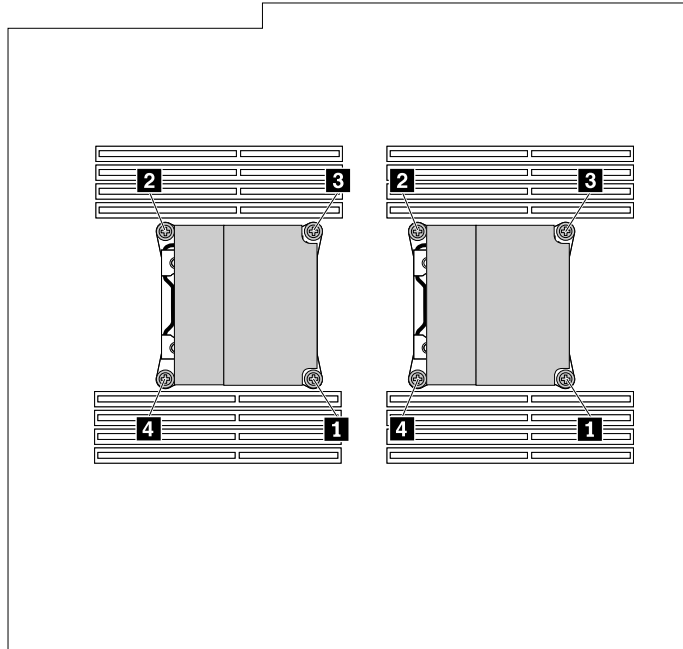


Figure 150. Removing the heat sink and fan assembly

7. Lift the failing heat sink and fan assembly off the system board.

Notes:

- You might have to gently twist the heat sink and fan assembly to free it from the microprocessor.
- Do not touch the thermal grease while handling the heat sink and fan assembly.

8. To install the new heat sink and fan assembly, position the new heat sink and fan assembly on the system board. Ensure that the four screws are aligned with the holes on the system board.

Note: Position the new heat sink and fan assembly so that the heat sink and fan assembly cable is toward the heat-sink-and-fan-assembly connector on the system board.

9. Follow the following sequence to install the four screws to secure the new heat sink and fan assembly. Do not over-tighten the screws.
 - a. Partially tighten screw **1**, then fully tighten screw **2**, and then fully tighten screw **1**.
 - b. Partially tighten screw **3**, then fully tighten screw **4**, and then fully tighten screw **3**.
10. Connect the cable of the new heat sink and fan assembly to the system board. See “Parts on the system board” on page 35.
11. Reinstall the direct cooling air baffle. See “Direct cooling air baffle” on page 105.

What to do next:

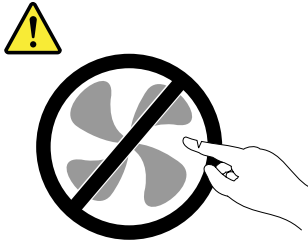
- To work with another piece of hardware, go to the appropriate section.

- To complete the installation or replacement, go to “Completing the parts replacement” on page 213.

Rear fan assembly

Attention: Do not open your computer or attempt any repair before reading and understanding the Chapter 1 “Read this first: Important safety information” on page 1.

CAUTION:



Hazardous moving parts. Keep fingers and other body parts away.

To replace the rear fan assembly, do the following:

1. Prepare your computer. See “Preparing your computer and removing the computer cover” on page 101.
2. Remove the direct cooling air baffle. See “Direct cooling air baffle” on page 105.
3. Locate the rear fan assembly. See “Computer components” on page 32.
4. Slide the rear fan assembly outward by the handle **1** to remove it from the chassis.

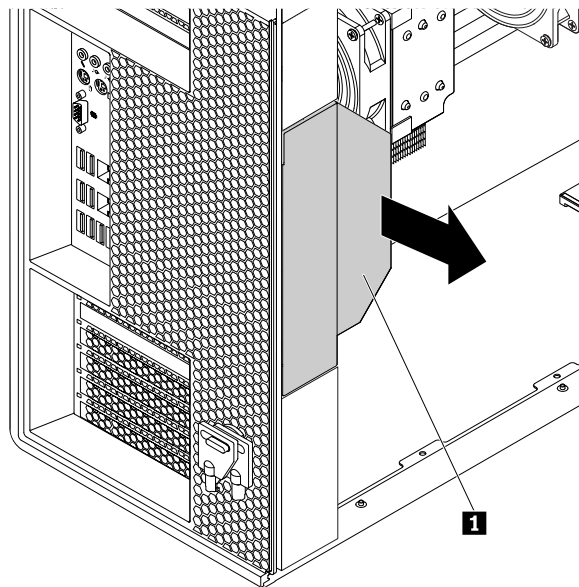


Figure 151. Removing the rear fan assembly

5. Slide the new rear fan assembly into the rear fan assembly bay until it snaps into position.

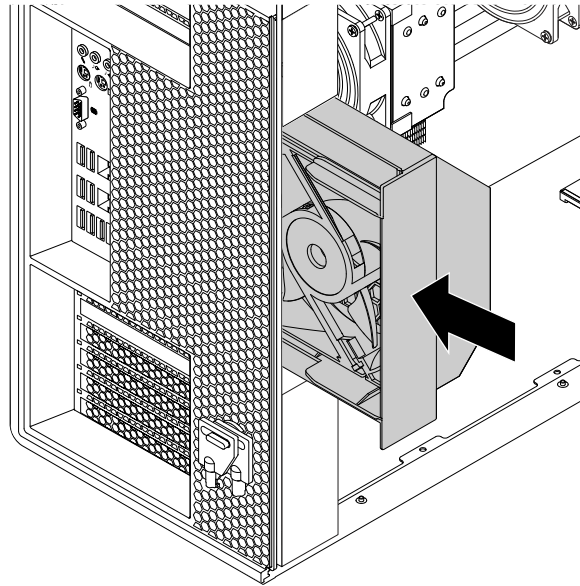


Figure 152. Installing the rear fan assembly

6. Reinstall the direct cooling air baffle. See “Direct cooling air baffle” on page 105.

What to do next:

- To work with another piece of hardware, go to the appropriate section.
- To complete the installation or replacement, go to “Completing the parts replacement” on page 213.

Wi-Fi units

Attention: Do not open your computer or attempt any repair before reading and understanding the Chapter 1 “Read this first: Important safety information” on page 1.

The Wi-Fi units include a Wi-Fi adapter card, a Wi-Fi card module, and a Wi-Fi antenna.

Replacing the Wi-Fi units involves the following operations:

- “Removing the Wi-Fi units” on page 193
- “Installing the Wi-Fi units” on page 197

Removing the Wi-Fi units

To remove the Wi-Fi units, do the following:

1. Prepare your computer. See “Preparing your computer and removing the computer cover” on page 101.

2. Unscrew the Wi-Fi antenna connectors to remove the Wi-Fi antenna from the rear of the computer.

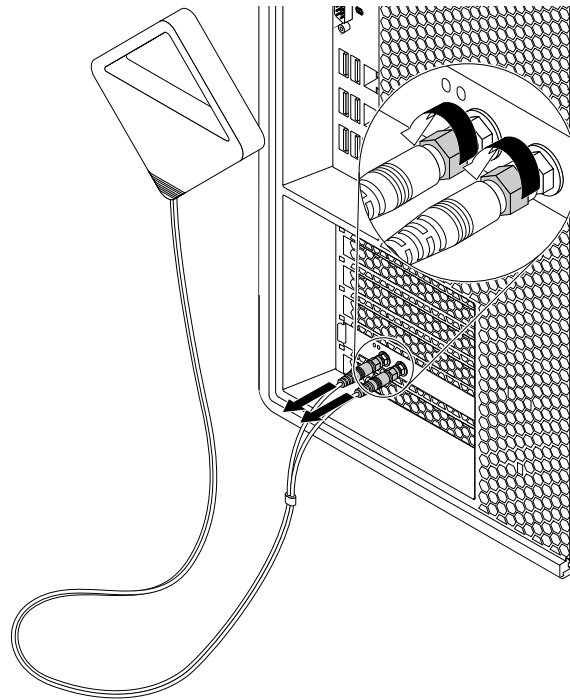


Figure 153. Removing the Wi-Fi antenna

3. To remove the Wi-Fi adapter card, do the following:
 - a. If your computer comes with a Wi-Fi card module that supports the Bluetooth function, disconnect the Bluetooth cable from the Wi-Fi adapter card.

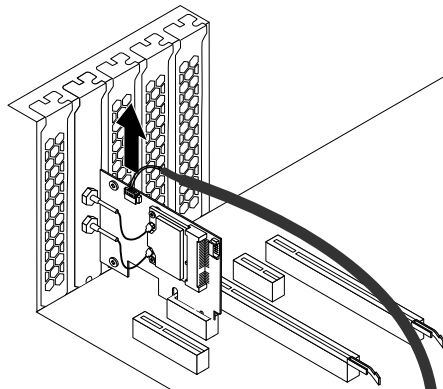


Figure 154. Disconnecting the Bluetooth cable

- b. On the rear of the computer, lift the handle **2** and pivot it as shown until it stops. The PCI card latch **1** is opened.

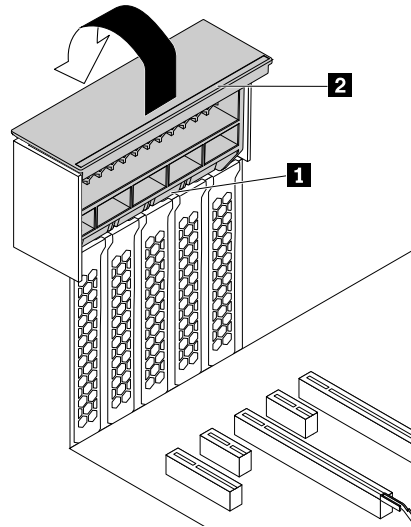


Figure 155. Opening the PCI card latch

- c. Grasp the Wi-Fi adapter card and gently pull it out of the slot.

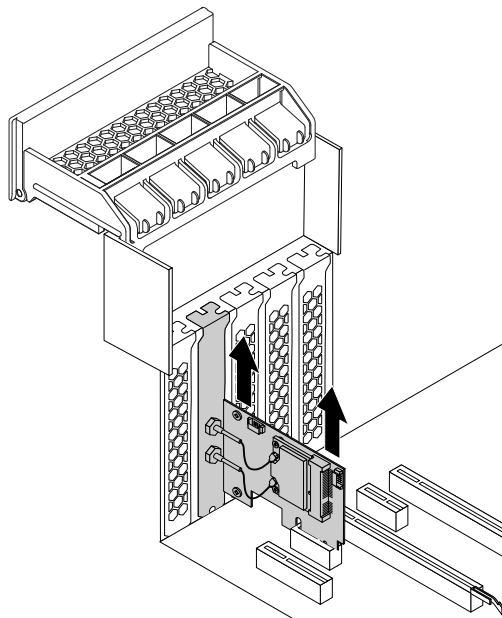


Figure 156. Removing the Wi-Fi adapter card

Note: The card fits tightly into the slot. If necessary, alternate moving each side of the card a small amount until the card is removed from the slot.

4. To remove the Wi-Fi card module, do the following:

- a. Remove the Wi-Fi adapter card from the computer, and then disconnect the two Wi-Fi antenna cables from the Wi-Fi card module.

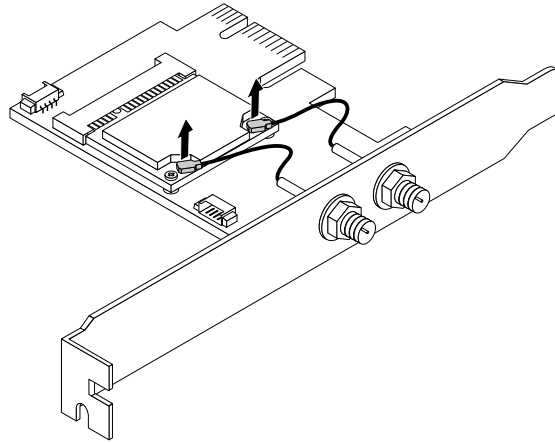


Figure 157. Disconnecting the Wi-Fi antenna cables

- b. Remove the two screws that secure the Wi-Fi card module to the Wi-Fi adapter card.

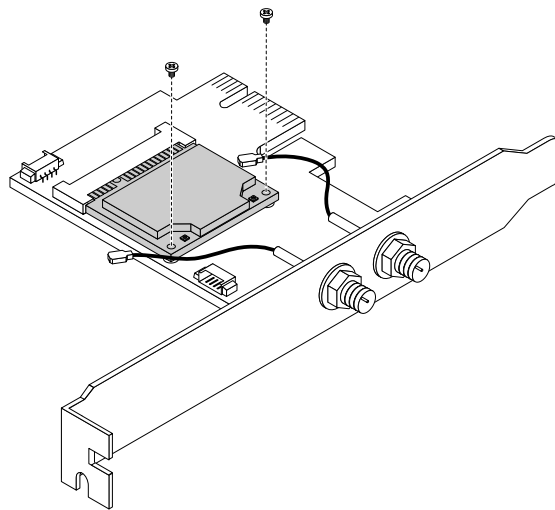


Figure 158. Removing the screws that secure the Wi-Fi card module

- c. Pull the Wi-Fi card module out of the mini PCI Express slot.

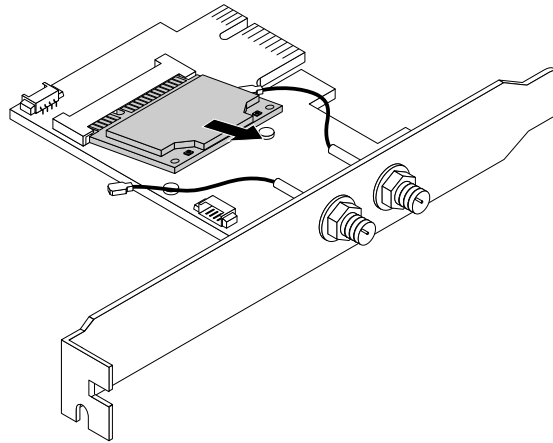


Figure 159. Removing the Wi-Fi card module

What to do next:

- To work with another piece of hardware, go to the appropriate section.
- To complete the installation or replacement, go to “Completing the parts replacement” on page 213.

Installing the Wi-Fi units

To install the Wi-Fi units, do the following:

1. Prepare your computer. See “Preparing your computer and removing the computer cover” on page 101.
2. To install the Wi-Fi card module, do the following:
 - a. Insert the Wi-Fi card module into the mini PCI Express slot on the Wi-Fi adapter card.

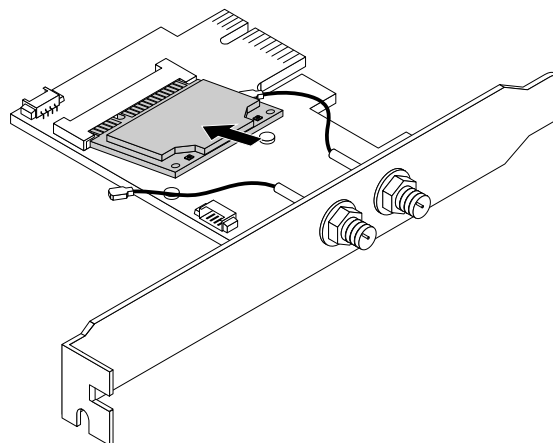


Figure 160. Installing the Wi-Fi card module

- b. Install the two screws to secure the Wi-Fi card module to the Wi-Fi adapter card.

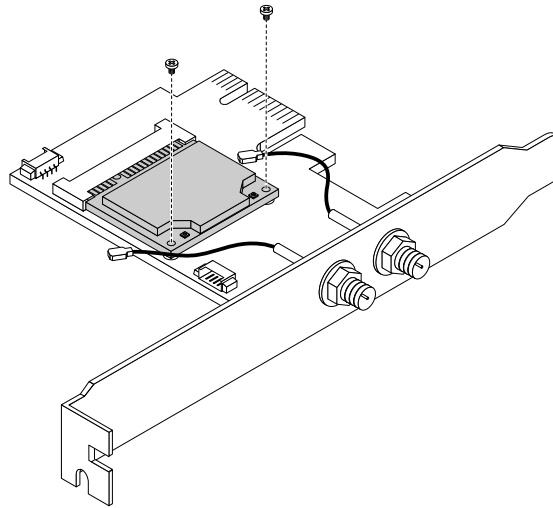


Figure 161. Installing the screws to secure the Wi-Fi card module

- c. Connect the two Wi-Fi antenna cables to the Wi-Fi card module.

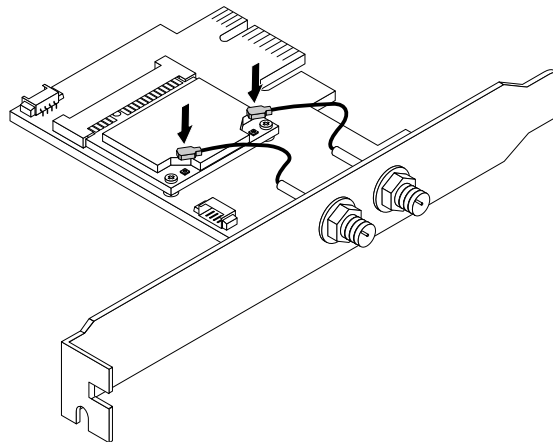


Figure 162. Connecting the Wi-Fi antenna cables

3. To install the Wi-Fi adapter card, do the following:

- a. Install the Wi-Fi adapter card into the PCI Express card slot on the system board. See “Parts on the system board” on page 35.

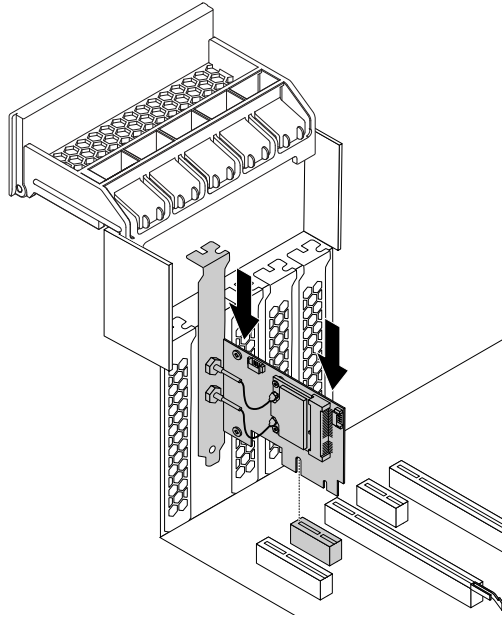


Figure 163. Installing the Wi-Fi adapter card

- b. Pivot the PCI card latch and push it back in until it snaps into position.
- c. If the installed Wi-Fi card module supports the Bluetooth function, connect a Bluetooth cable from the Bluetooth connector on the Wi-Fi adapter card to the 29-in-1 card reader connector on the system board. See “Parts on the system board” on page 35.

4. Attach the Wi-Fi antenna cable connectors **1** to the corresponding Wi-Fi antenna connectors **2** on the rear of the computer as shown.

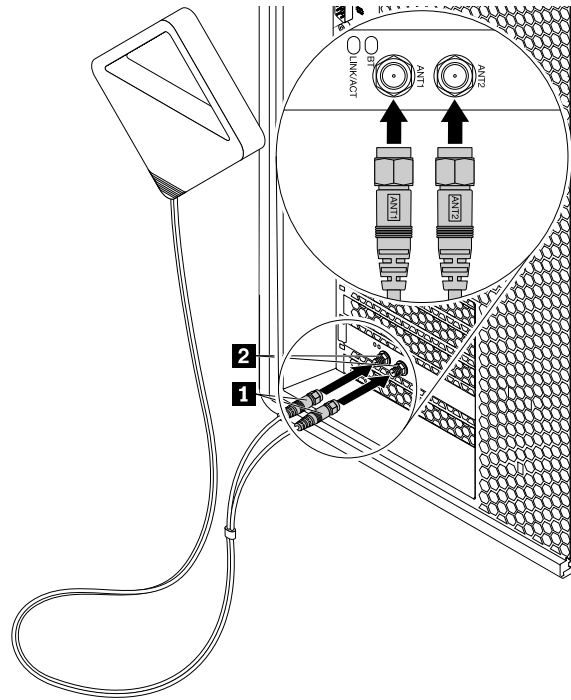


Figure 164. Installing the Wi-Fi antenna

5. Tighten the Wi-Fi antenna cable connectors to secure them to the rear of the computer.

What to do next:

- To work with another piece of hardware, go to the appropriate section.
- To complete the installation or replacement, go to “Completing the parts replacement” on page 213.

Microprocessor

This topic provides instructions on how to install or replace the microprocessor.

Replacing a microprocessor

Attention: Do not open your computer or attempt any repair before reading and understanding the Chapter 1 “Read this first: Important safety information” on page 1.

Depending on the model, your computer might come with one or two microprocessors. For computer models with one microprocessor, the microprocessor is installed in the microprocessor socket 1 and the microprocessor socket 2 is protected by a plastic socket cover.

CAUTION:



The heat sink and microprocessor might be very hot. Before you open the computer cover, turn off the computer and wait several minutes until the computer is cool.

Notes:


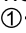


- Ensure that you install the correct type of microprocessor option your computer supports. When two microprocessors are installed, both must be identical.
- For E5-1600 v4 series microprocessors, the computer can support only one installed. If you want to install two microprocessors into your computer, use the E5-2600 v4 series microprocessors.
- Your microprocessor, socket, and socket cover might look slightly different from the illustrations in this topic.

To replace a microprocessor, do the following:

1. Prepare your computer. See “Preparing your computer and removing the computer cover” on page 101.
2. Remove the direct cooling air baffle. See “Direct cooling air baffle” on page 105.
3. Lay the computer on its side for easier access to the system board.
4. Remove the heat sink and fan assembly. See “Heat sink and fan assemblies” on page 190.

Note: Place the heat sink and fan assembly on its side. Ensure that the thermal grease on the bottom of it does not get in contact with anything.

5. Locate the correct microprocessor socket on the system board. See “Parts on the system board” on page 35.
6. Open the small handle **1** by gently pressing down the small handle. Then pull the small handle slightly outward to release it from the secured position. Then, open the other small handle **2** by following the same instructions. Ensure that the small handles are in the fully open position.

Note: There are two marks on the microprocessor retainer. You must open the small handle marked with   first and then you can open the other small handle marked with  .

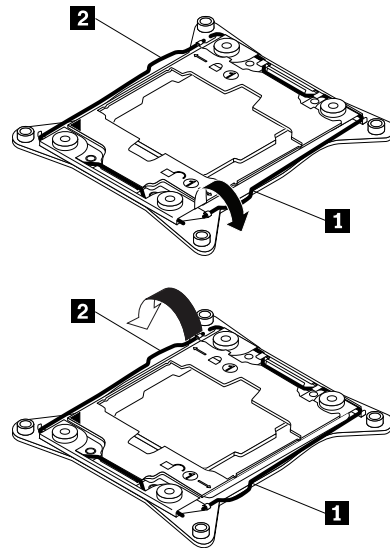


Figure 165. Opening the handles

7. Gently press down the small handle **1** to open the microprocessor retainer. Pivot the retainer upward until it is in the fully open position.

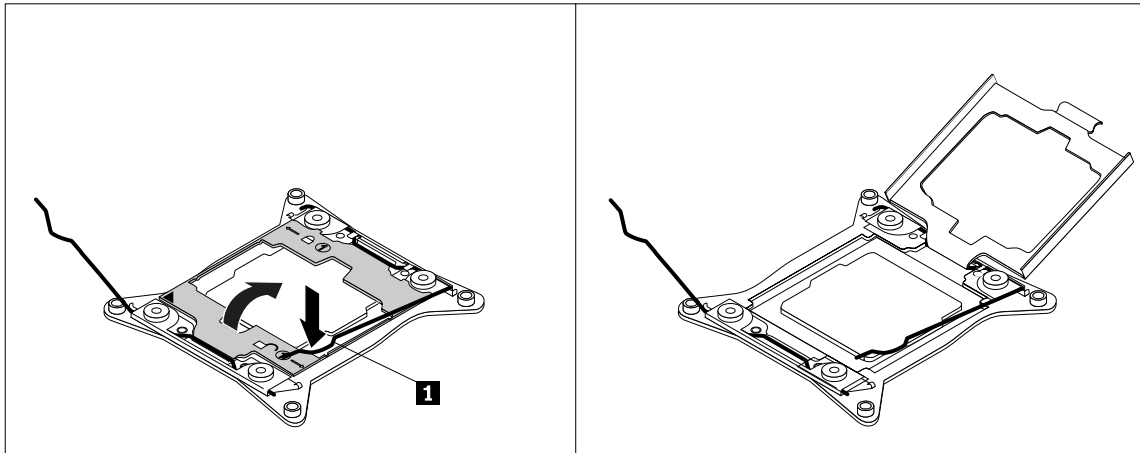


Figure 166. Opening the microprocessor retainer

8. Lift the microprocessor straight up and out of the microprocessor socket. Place the old microprocessor on a static-protective surface.

Notes:

- Your microprocessor and socket might look different from the one illustrated.
- Touch only the edges of the microprocessor. Do not touch the gold contacts on the bottom.
- Do not drop anything onto the microprocessor socket while it is exposed. The socket pins must be kept as clean as possible.

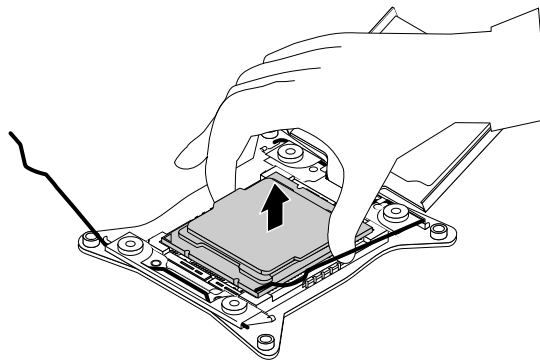


Figure 167. Removing the microprocessor

9. Touch the static-protective package that contains the new microprocessor to any unpainted surface on the outside of the computer. Then, remove the new microprocessor from the package.

10. Remove the new microprocessor from the protective cover that protects the gold contacts on the bottom of the new microprocessor. Do not touch the pins on the microprocessor socket or the gold contacts on the bottom of the new microprocessor.

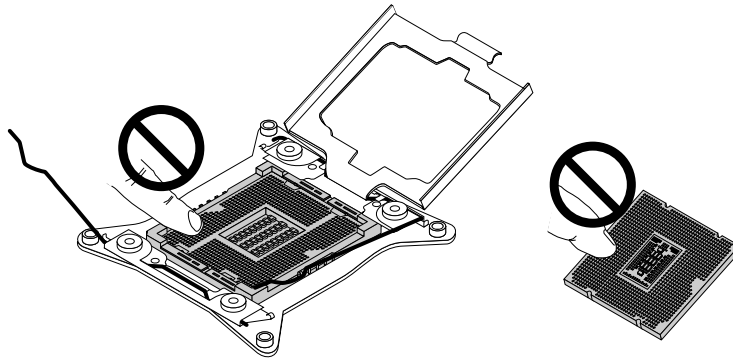


Figure 168. Do not touch the pins

11. Note the orientation of the new microprocessor. Hold the new microprocessor by its edges and align the notches **1** on it with the tabs **2** in the microprocessor socket. Then, carefully lower the new microprocessor straight down into the microprocessor socket.

Note: The small triangle **3** on one corner of the new microprocessor is the microprocessor orientation indicator. The new microprocessor is in the correct orientation when this indicator faces the beveled corner **4** of the microprocessor socket.

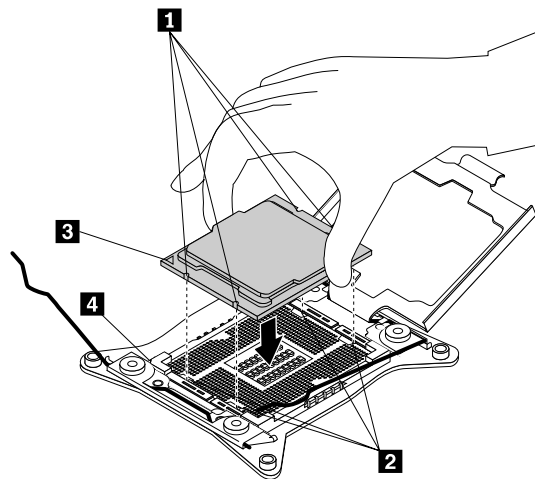


Figure 169. Installing the microprocessor

- Pivot the microprocessor retainer downward to close the retainer.

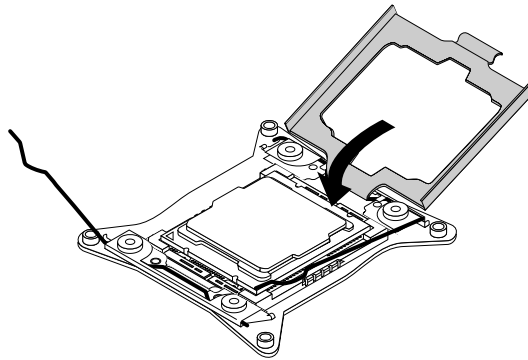
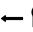
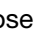


Figure 170. Closing the microprocessor retainer

- Gently press down the small handle **2** and then push the handle inward to secure it. Then gently press down the small handle **1** and push the handle inward to lock the microprocessor retainer into position. Ensure that the new microprocessor is secured in the socket.

Note: There are two marks on the microprocessor retainer. Ensure that you close the small handle marked with  first and then close the small handle marked with . Always follow the correct sequence when you close the small handles.

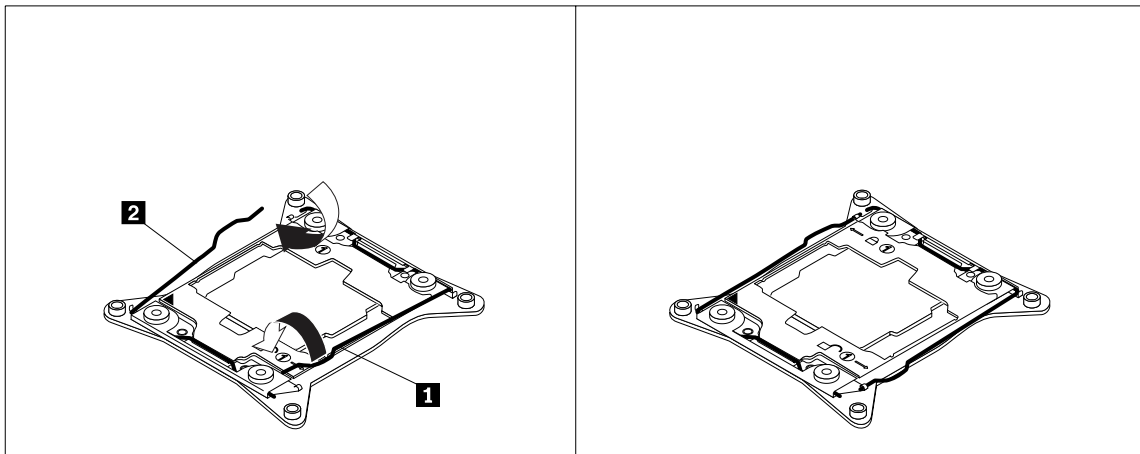


Figure 171. Securing the microprocessor in the socket

- Reinstall the heat sink and fan assembly. See “Heat sink and fan assemblies” on page 190.
- If you are instructed to return the old microprocessor, follow all packaging instructions and use any packaging materials that are supplied to you for shipping.

What to do next:

- To work with another piece of hardware, go to the appropriate section.
- To complete the installation or replacement, go to “Completing the parts replacement” on page 213.

Installing the second microprocessor

Attention: Do not open your computer or attempt any repair before reading and understanding the Chapter 1 “Read this first: Important safety information” on page 1.

This topic provides instructions on how to install the second microprocessor.

Depending on the model, your computer might come with one or two microprocessors. For computer models with one microprocessor, the microprocessor is installed in the microprocessor socket 1 and the microprocessor socket 2 is protected by a plastic socket cover.

CAUTION:



The heat sink and microprocessor might be very hot. Before you open the computer cover, turn off the computer and wait several minutes until the computer is cool.

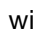
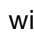
Notes:

- Ensure that you install the correct type of microprocessor option your computer supports. When two microprocessors are installed, both must be identical.
- For E5-1600 v4 series microprocessors, the computer can support only one installed. If you want to install two microprocessors into your computer, use the E5-2600 v4 series microprocessors.
- A second heat sink and fan assembly is also required. Ensure that you have this assembly available before you start the installation.
- Your microprocessor, socket, and socket cover might look slightly different from the illustrations in this topic.

To install the second microprocessor, do the following:

1. Prepare your computer. See “Preparing your computer and removing the computer cover” on page 101.
2. Remove the direct cooling air baffle. See “Direct cooling air baffle” on page 105.
3. Lay the computer on its side for easier access to the system board.
4. Locate the microprocessor socket 2 on the system board. See “Parts on the system board” on page 35.

- Open the small handle **1** by gently pressing down the small handle. Then pull the small handle slightly outward to release it from the secured position. Then, open the other small handle **2** by following the same instructions. Ensure that the small handles are in the fully open position.

Note: There are two marks on the microprocessor retainer. You must open the small handle marked with  first and then you can open the other small handle marked with .

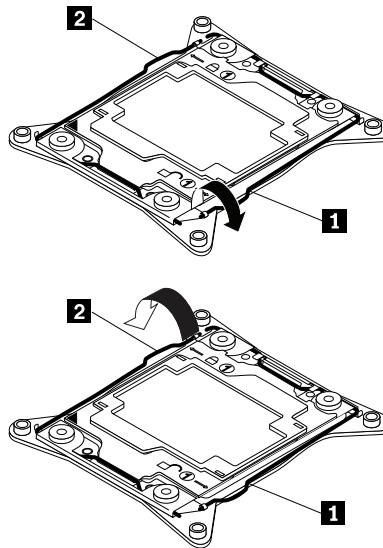


Figure 172. Opening the handles

- Gently press down the small handle **1** to open the microprocessor retainer. Pivot the retainer upward until it is in the fully open position.

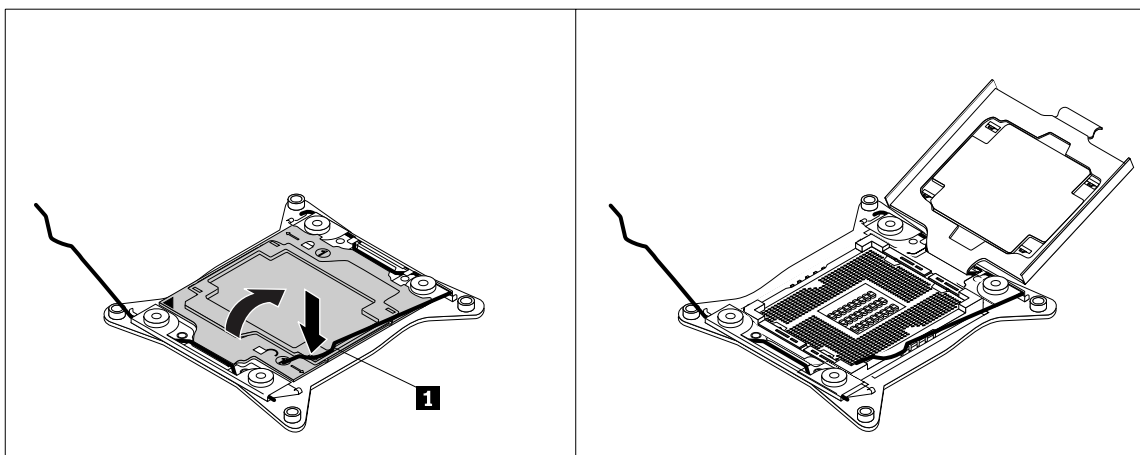


Figure 173. Opening the microprocessor retainer

- Touch the static-protective package that contains the new microprocessor to any unpainted surface on the outside of the computer. Then, remove the new microprocessor from the package.

- Remove the new microprocessor from the protective cover that protects the gold contacts on the bottom of the new microprocessor. Do not touch the pins on the microprocessor socket or the gold contacts on the bottom of the new microprocessor.

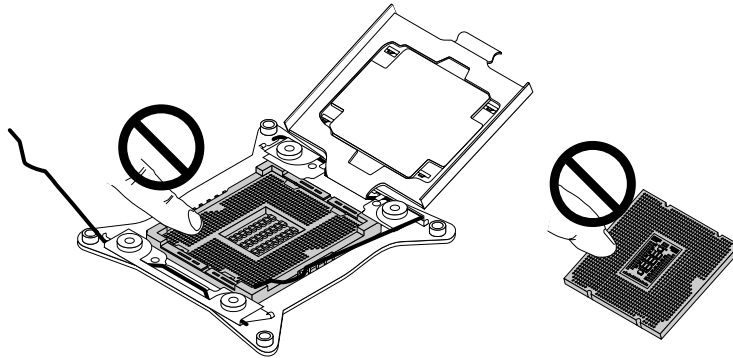


Figure 174. Do not touch the pins

- Note the orientation of the new microprocessor. Hold the new microprocessor by its edges and align the notches **1** on it with the tabs **2** in the microprocessor socket. Then, carefully lower the new microprocessor straight down into the microprocessor socket.

Note: The small triangle **3** on one corner of the new microprocessor is the microprocessor orientation indicator. The new microprocessor is in the correct orientation when this indicator faces the beveled corner **4** of the microprocessor socket.

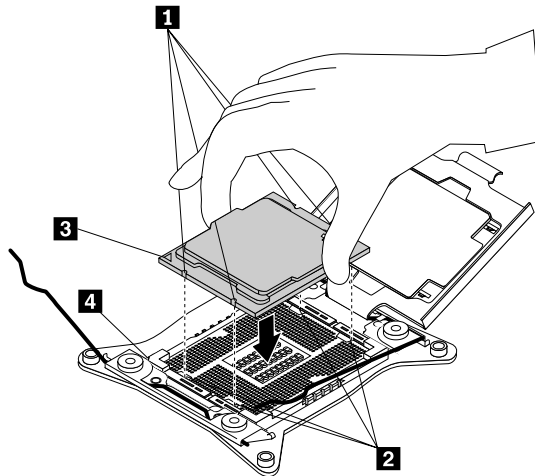


Figure 175. Installing the microprocessor

10. Remove the plastic microprocessor socket cover. Store the microprocessor socket cover in case that you later remove the microprocessor and need the socket cover to protect the pins on the socket.

Note: Do not remove the socket cover until you install a microprocessor into the socket. If you remove the microprocessor, install the socket cover or a new microprocessor in the first place.

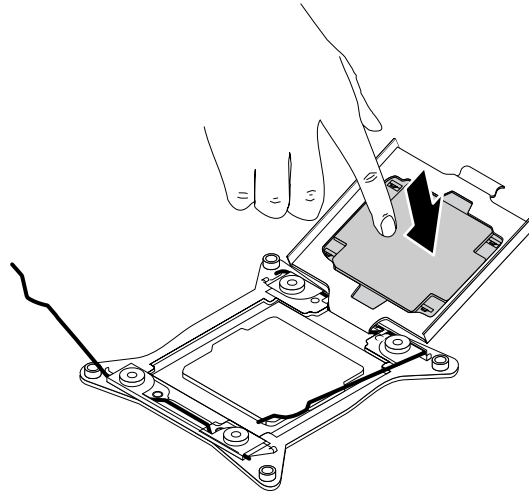


Figure 176. Removing the microprocessor socket cover

11. Pivot the microprocessor retainer downward to close the retainer.

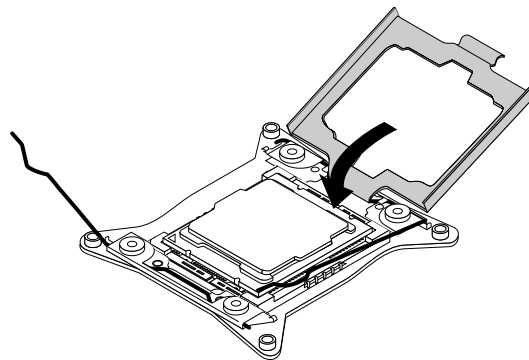

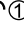


Figure 177. Closing the microprocessor retainer

12. Gently press down the small handle **2** and then push the handle inward to secure it. Then gently press down the small handle **1** and push the handle inward to lock the microprocessor retainer into position. Ensure that the new microprocessor is secured in the socket.

Note: There are two marks on the microprocessor retainer. Ensure that you close the small handle marked with  ① first and then close the small handle marked with  ①. Always follow the correct sequence when you close the small handles.

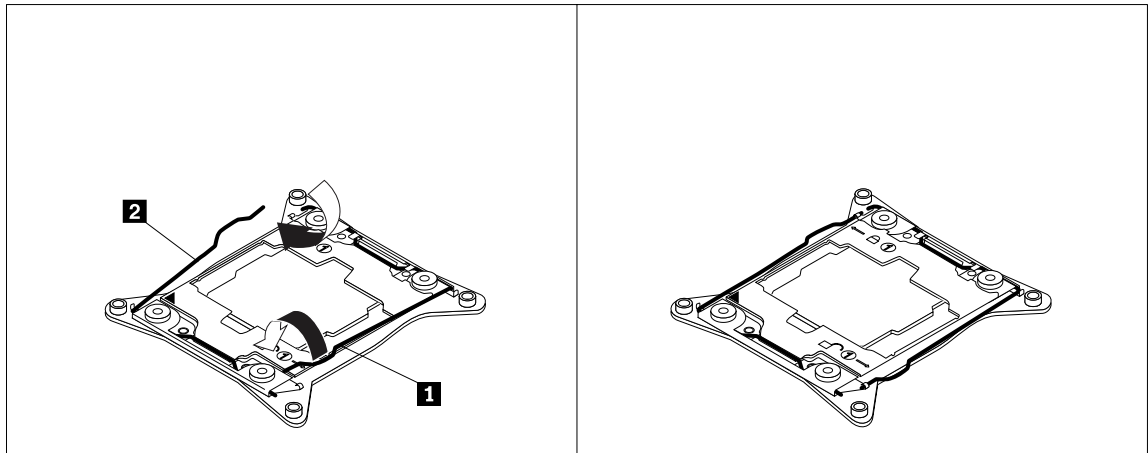


Figure 178. Securing the microprocessor in the socket

13. Install the new heat sink and fan assembly that comes with the microprocessor option kit. See “Heat sink and fan assemblies” on page 190.

What to do next:

- To work with another piece of hardware, go to the appropriate section.
- To complete the installation or replacement, go to “Completing the parts replacement” on page 213.

System board

Attention: Do not open your computer or attempt any repair before reading and understanding the Chapter 1 “Read this first: Important safety information” on page 1.

This section provides instructions on how to replace the system board.

CAUTION:



The heat sink and microprocessor might be very hot. Before you open the computer cover, turn off the computer and wait several minutes until the computer is cool.

Note: Each computer has a unique Vital Product Data (VPD) code stored in the nonvolatile memory on the system board. After you replace the system board, the VPD must be updated. To update the VPD, see “Updating and recovering the BIOS” on page 70.

To replace the system board, do the following:

1. Prepare your computer. See “Preparing your computer and removing the computer cover” on page 101.
2. Remove the direct cooling air baffle. See “Direct cooling air baffle” on page 105.
3. Lay the computer on its side for easier access to the system board.

4. Remove the multi-function brackets. See “Multi-function brackets” on page 164.
5. Remove the front fan assemblies. See “Front fan assembly” on page 163.
6. Remove the rear fan assemblies. See “Rear fan assembly” on page 192.
7. Remove the power supply assembly. See “Power supply assembly” on page 166.
8. Remove the flex adapter that is installed. See “Flex adapter” on page 169.
9. Remove the PCI cards that are installed. See “PCI card” on page 172.
10. Remove the full-length PCI Express card that is installed. See “Full-length PCI Express card” on page 180.
11. Remove the memory modules that are installed. See “Memory module” on page 188.
12. Remove the heat sink and fan assemblies. See “Heat sink and fan assemblies” on page 190.
13. Record the cable routing and cable connections, and then disconnect all cables from the system board. See “Parts on the system board” on page 35.
14. Press the metal retainer to release the failing system board. Then push the failing system board toward the metal retainer and carefully lift the system board out of the chassis.

Note: Carefully handle the system board by its edges.

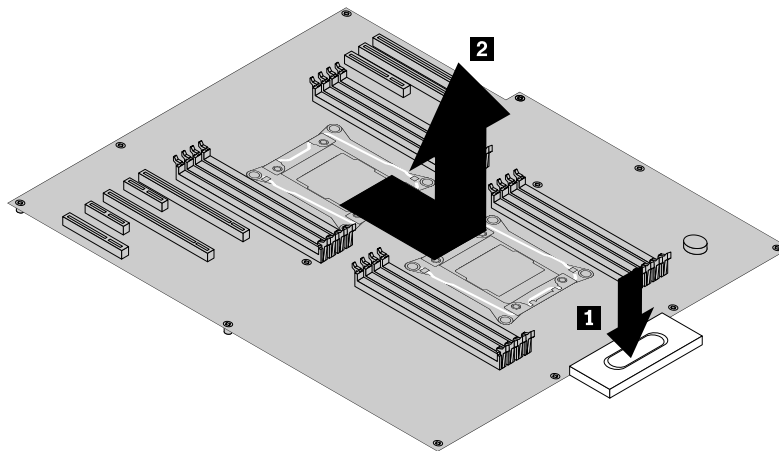


Figure 179. Removing the system board

15. Remove the microprocessor from the failing system board, and then install it onto the new system board. See “Microprocessor” on page 200.

16. To install the new system board, position the new system board in the chassis. Align the twelve mounting studs on the bottom of the system board with the corresponding holes in the chassis. Then, push the new system board toward the rear of the computer until it snaps into position. Ensure that the system board is secured by the metal retainer.

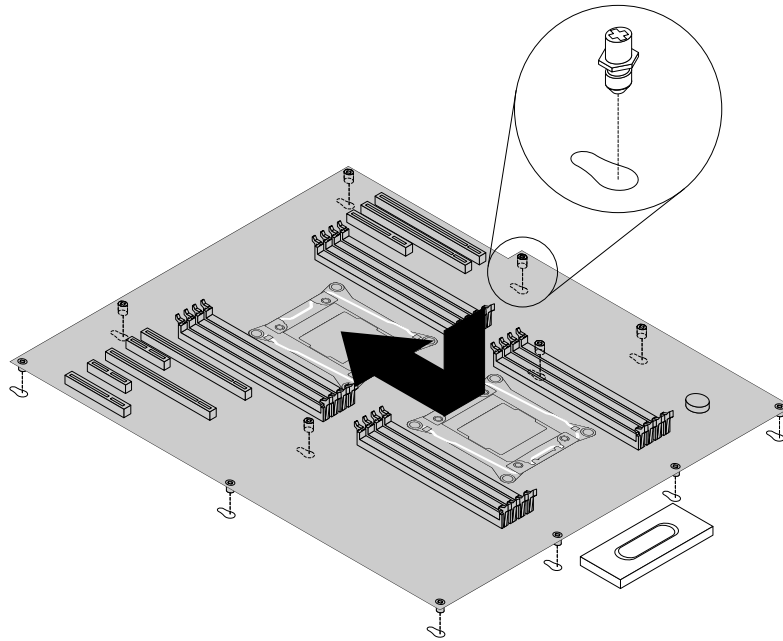


Figure 180. Installing the system board

17. Reinstall all parts that you have removed one by one in the reversed sequence as you remove them. Refer to the information that you have recorded and the related topics in Chapter 9 “Installing or replacing hardware” on page 101. Connect all cables to the new system board. See “Parts on the system board” on page 35.
18. Connect the external cables and the power cord to the computer.

The failing system board must be returned with a microprocessor socket cover to protect the pins during shipping and handling. Install the microprocessor socket covers removed from the new system board on the failing system board.

Note: Ensure that each microprocessor socket on the failing system board is installed with a microprocessor socket cover.

To install the microprocessor socket cover, do the following:

Note: Your microprocessor socket and cover might look slightly different from the illustration.

1. Pivot the microprocessor retainer downward to close the retainer.

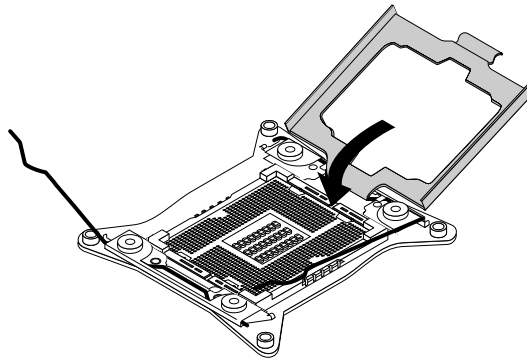


Figure 181. Closing the microprocessor retainer

2. Gently press down the small handle **2**, and then push the handle inward to secure it. Then gently press down the small handle **1** and push the handle inward to lock the microprocessor retainer into position.

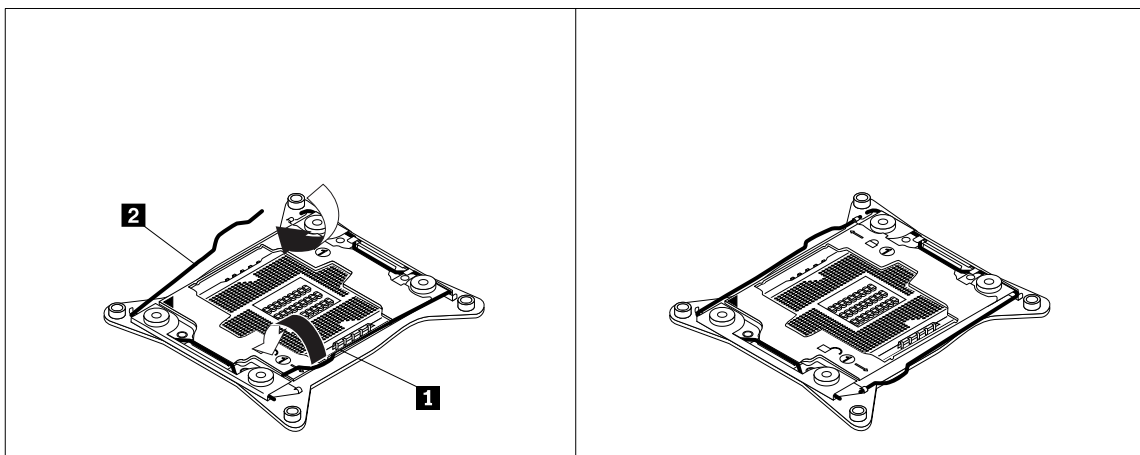


Figure 182. Securing the microprocessor in the socket

3. Position the microprocessor socket cover on the microprocessor socket as shown. Then, lower the socket cover straight down into the microprocessor socket on the system board.

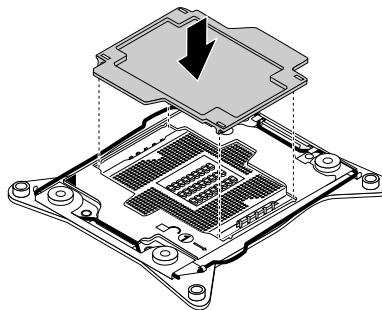


Figure 183. Installing the microprocessor socket cover

What to do next:

- To work with another piece of hardware, go to the appropriate section.
- To complete the installation or replacement, go to “Completing the parts replacement” on page 213.

Completing the parts replacement

After completing the installation or replacement for all parts, reinstall the computer cover and reconnect cables. Depending on the parts you installed or replaced, you might need to confirm the updated information in the Setup Utility program. Refer to “Using the Setup Utility program” on page 65.

To reinstall the computer cover and reconnect cables to your computer, do the following:

1. Ensure that all components have been reassembled correctly and that no tools or loose screws are left inside your computer. See “Computer components” on page 32 for the locations of various components in your computer.
2. Ensure that the cables are routed correctly before reinstalling the computer cover. Keep cables clear of the hinges and sides of the computer chassis to avoid interference with reinstalling the computer cover.
3. Position the computer cover on the chassis so that the rail guides on the bottom of the computer cover engage the rails on the chassis. Then, pivot the handle **1** inward until it snaps into position so that the cover is secured tightly.

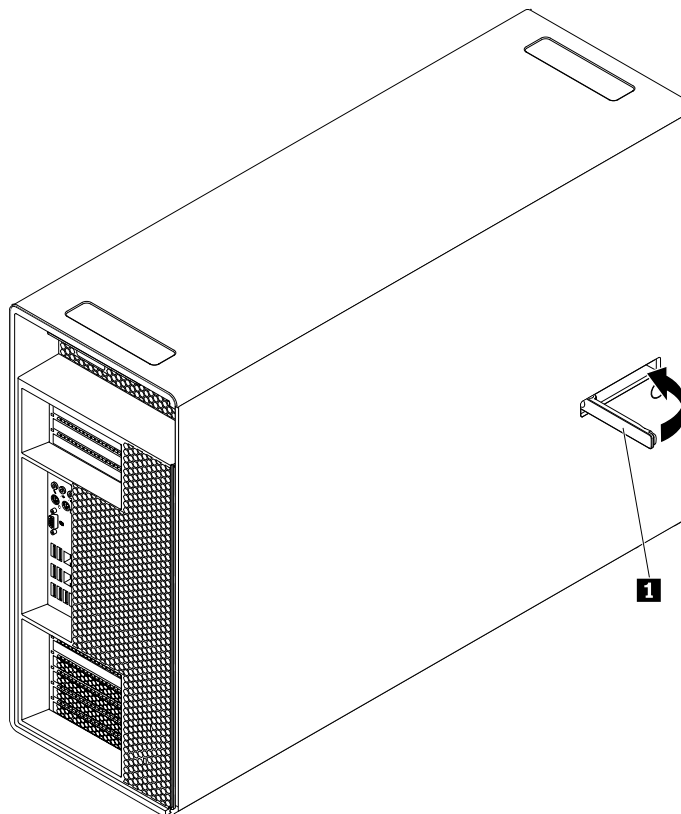


Figure 184. Reinstalling the computer cover

4. Place the computer in an upright position.
5. If there is any locking device available, lock the computer cover. See “Locking your computer” on page 59.

6. Reconnect the external cables and power cords to the corresponding connectors on the computer. See “Hardware locations” on page 27.
7. Update the configuration of your computer if necessary. See “Using the Setup Utility program” on page 65.
8. If a newly installed hardware component does not work normally, update the device driver. See “Keeping your computer current” on page 56.

Chapter 10. Getting information, help, and service

This chapter contains the following topics:

- “Information resources” on page 215
- “Help and service” on page 216

Information resources

You can use the information in this section to access useful resources relating to your computing needs.

Accessing the user guide in various languages

To access the user guide in various languages, go to:
<http://www.lenovo.com/support>

Windows help system

The Windows help system provides you with detailed information about using the Windows operating system.

To access the Windows help system, do the following:

1. Click the Start button to open the Start menu.
2. Depending on your Windows version, do one of the following:
 - For Windows 7: Click **Help and Support**. You can choose to use the online or offline help at the bottom of the screen.
 - For Windows 10: Click **Get Help**.

Note: Using online help for Windows 7 or the help for Windows 10 requires an active Internet connection.

Safety and warranty

The *Safety, Warranty, and Setup Guide* provided with your computer contains important safety information, product warranty terms, initial setup procedure, and legal notices. Ensure that you read and understand all safety information in the *Safety, Warranty, and Setup Guide* before using your computer.

In addition, read and understand Chapter 1 “Read this first: Important safety information” on page 1 before using your computer. This preface provides additional safety information that applies to topics and tasks described in this *User Guide*.

Lenovo Web site

The Lenovo Web site (<http://www.lenovo.com>) provides up-to-date information and services to help you buy, upgrade, and maintain your computer. You also can do the following:

- Shop for desktop and notebook computers, monitors, projectors, upgrades, and accessories for your computer, and special offers.
- Purchase additional services, such as support for hardware, operating systems, application programs, network setup and configuration, and custom installations.
- Purchase upgrades and extended hardware repair services.
- Access troubleshooting and support information for your computer model and other supported products.
- Find a Service Provider located near you.

Lenovo Support Web site

Technical support information is available on the Lenovo Support Web site at:
<http://www.lenovo.com/support>

This Web site is updated with the latest support information such as the following:

- Drivers and software
- Diagnostic solutions
- Product and service warranty
- Product and parts details
- User guides and manuals
- Knowledge base and frequently asked questions
- Lenovo Support phone numbers

Frequently asked questions

For the answers to frequently asked questions about your computer, go to:
<http://www.lenovo.com/support/faq>

Help and service

This section provides information about obtaining help and service.

Calling for service

During the warranty period, you can get help and information by telephone through the Customer Support Center. For the warranty period of your computer, go to <http://www.lenovo.com/warranty-status>. For a list of Lenovo Support phone numbers, go to <http://www.lenovo.com/support/phone>.

Note: Phone numbers are subject to change without notice. If the number for your country or region is not provided, contact your Lenovo reseller or Lenovo marketing representative.

The following services are available during the warranty period:

- **Problem determination** - Trained service personnel are available to assist you with determining a hardware problem and deciding what action is necessary to fix the problem.
- **Hardware repair** - If the problem is caused by hardware under warranty, trained service personnel are available to provide the applicable level of service.
- **Engineering Change management** - There might be changes that are required after a product has been sold. Lenovo or your reseller will make selected Engineering Changes (ECs) that apply to your hardware available.

These items are not covered by the warranty:

- Replacement or use of parts not manufactured for or by Lenovo or non-warranted Lenovo parts
- Identification of software problem sources
- Configuration of BIOS as part of an installation or upgrade
- Changes, modifications, or upgrades to device drivers
- Installation and maintenance of network operating systems (NOS)
- Installation and maintenance of application programs

If possible, be at your computer when you call. Have the following information available:

- Machine type and model
- Serial numbers of your hardware products

- Description of the problem
- Exact wording of any error messages
- Hardware and software configuration information

Using other services

You might travel with your computer or relocate it to a country or region where the machine type for your desktop or notebook computer is sold. In such a situation, your computer might be eligible for International Warranty Service, which automatically entitles you to obtain warranty service throughout the warranty period. Service will be performed by service providers authorized to perform warranty service.

Service methods and procedures vary by country, and some services might not be available in all countries. International Warranty Service is delivered through the method of service (such as depot, carry-in, or on-site service) that is provided in the servicing country. Service centers in certain countries might not be able to service all models of a particular machine type. In some countries, fees and restrictions might apply at the time of service.

To determine whether your computer is eligible for International Warranty Service and to view a list of the countries or regions where service is available, go to <http://www.lenovo.com/support>.

For technical assistance with the installation of or questions related to Service Packs for your preinstalled Microsoft Windows product, go to the Microsoft Product Support Web site at <http://support.microsoft.com>. You also can contact the Lenovo Customer Support Center for help. Some fees might apply.

Purchasing additional services

During and after the warranty period, you can purchase additional services. Examples of these additional services include:

- Support for hardware, operating systems, and application programs
- Network setup and configuration services
- Upgraded or extended hardware repair services
- Custom installation services

Service availability and service name might vary by country or region. For more information about these services, go to the Lenovo Web site at:
<http://www.lenovo.com>

Appendix A. System memory speed

The Intel Xeon® microprocessor families compatible with this ThinkStation computer feature an integrated memory controller, which provides the microprocessor with direct access to the system memory. The system memory speed, therefore, is determined by various factors, including the microprocessor model and the type, speed, size (capacity), and number of DIMMs installed. Refer to the following table for the information about the supported system memory speed for your own computer model.

Table 2. DIMM type and speed: RDIMM PC4-2400-R

DIMM operating voltage	Microprocessor model	Memory frequency
1.2 V	Intel Xeon E5-2687W v4, E5-2699 v4, E5-2698 v4, E5-2697A v4, E5-2697 v4, E5-2695 V4, E5-2690 v4, E5-2683 v4, E5-2680 v4, E5-2667 v4, E5-2660 v4, E5-2658 v4, E5-2650 v4, E5-2643 v4, E5-2637 v4, E5-2650L v4, E5-2648L v4, E5-2699A v4	2400 MHz
1.2 V	Intel Xeon E5-2640 v4, E5-2630 v4, E5-2623 v4, E5-2620 v4, E5-2630L v4, E5-2628L v4, E5-2618L v4	2133 MHz
1.2 V	Intel Xeon E5-2609 v4, E5-2603 v4, E5 2608L v4, E5-2620 v3	1866 MHz
1.2 V	Intel Xeon E5-2609 v3	1600 MHz

Table 3. DIMM type and speed: LRDIMM PC4-2400-L

DIMM operating voltage	Microprocessor model	Memory frequency
1.2 V	Intel Xeon E5-2687W v4, E5-2699 v4, E5-2698 v4, E5-2697A v4, E5-2697 v4, E5-2695 V4, E5-2690 v4, E5-2683 v4, E5-2680 v4, E5-2667 v4, E5-2660 v4, E5-2658 v4, E5-2650 v4, E5-2643 v4, E5-2637 v4, E5-2650L v4, E5-2648L v4, E5-2699A v4	2400 MHz
1.2 V	Intel Xeon E5-2640 v4, E5-2630 v4, E5-2623 v4, E5-2620 v4, E5-2630L v4, E5-2628L v4, E5-2618L v4	2133 MHz
1.2 V	Intel Xeon E5-2609 v4, E5-2603 v4, E5 2608L v4, E5-2620 v3	1866 MHz
1.2 V	Intel Xeon E5-2609 v3	1600 MHz

Appendix B. Supplemental information about the Ubuntu operating system

In limited countries or regions, Lenovo offers customers an option to order computers with the preinstalled Ubuntu® operating system.

If the Ubuntu operating system is available on your computer, read the following information before you use the computer. Ignore any information related to Windows-based programs, utilities, and Lenovo preinstalled applications in this documentation.

Accessing the Lenovo Limited Warranty

This product is covered by the terms of the Lenovo Limited Warranty (LLW), version L505-0010-02 08/2011. You can view the LLW in a number of languages from the following Web site. Read the Lenovo Limited Warranty at:

http://www.lenovo.com/warranty/llw_02

The LLW also is preinstalled on the computer. To access the LLW, go to the following directory:

```
/usr/share/doc/lenovo-doc
```

If you cannot view the LLW either from the Web site or from your computer, contact your local Lenovo office or reseller to obtain a printed version of the LLW.

Accessing the Ubuntu help system

The Ubuntu help system provides information about how to use the Ubuntu operating system. To access the help system from the Unity, move your pointer to the Launch bar, and then click the **Help** icon. If you cannot find the **Help** icon from the Launch bar, click the **Search** icon, and type Help to search it.

To learn more about the Ubuntu operating system, go to:

<http://www.ubuntu.com>

Getting support information

If you need help, service, technical assistance, or more information about the Ubuntu operating system or other applications, contact the provider of the Ubuntu operating system or the provider of the application. If you need the service and support for hardware components shipped with your computer, contact Lenovo. For more information about how to contact Lenovo, refer to the *User Guide and Safety, Warranty, and Setup Guide*.

To access the latest *User Guide and Safety, Warranty, and Setup Guide*, go to:

<http://www.lenovo.com/support>

Appendix C. Regulatory information

The latest compliance information is available at <http://www.lenovo.com/compliance>.

Export classification notice

This product is subject to the United States Export Administration Regulations (EAR) and has an Export Classification Control Number (ECCN) of 5A992.c. It can be re-exported except to any of the embargoed countries in the EAR E1 country list.

Electronic emissions notices

The following information refers to Lenovo personal computer machine types 30B8 and 30B9.

Federal Communications Commission Declaration of Conformity

This equipment has been tested and found to comply with the limits for a Class B digital device, pursuant to Part 15 of the FCC Rules. These limits are designed to provide reasonable protection against harmful interference in a residential installation. This equipment generates, uses, and can radiate radio frequency energy and, if not installed and used in accordance with the instructions, may cause harmful interference to radio communications. However, there is no guarantee that interference will not occur in a particular installation. If this equipment does cause harmful interference to radio or television reception, which can be determined by turning the equipment off and on, the user is encouraged to try to correct the interference by one or more of the following measures:

- Reorient or relocate the receiving antenna.
- Increase the separation between the equipment and receiver.
- Connect the equipment into an outlet on a circuit different from that to which the receiver is connected.
- Consult an authorized dealer or service representative for help.

Lenovo is not responsible for any radio or television interference caused by using other than specified or recommended cables and connectors or by unauthorized changes or modifications to this equipment. Unauthorized changes or modifications could void the user's authority to operate the equipment.

This device complies with Part 15 of the FCC Rules. Operation is subject to the following two conditions: (1) this device may not cause harmful interference, and (2) this device must accept any interference received, including interference that may cause undesired operation.

Responsible Party:
Lenovo (United States) Incorporated
1009 Think Place - Building One
Morrisville, NC 27560
Phone Number: 919-294-5900



Industry Canada Class B emission compliance statement

CAN ICES-3(B)/NMB-3(B)

European Union conformity

EU Contact: Lenovo, Einsteinova 21, 851 01 Bratislava, Slovakia



Models without a radio device: This product is in conformity with the protection requirements of EU Council EMC Directive 2014/30/EU on the approximation of the laws of the Member States relating to electromagnetic compatibility.

Models with a radio device: This product is in conformity with all the requirements and essential norms that apply to EU Council R&TTE Directive 1999/5/EC (until June 12, 2017) and Council Radio Equipment Directive 2014/53/EU (from June 13, 2017) on the approximation of the laws of the Member States relating to radio equipment. The full text of the system EU declaration of conformity and the EU wireless module declarations are available at the following Internet address:

http://www3.lenovo.com/us/en/social_responsibility/EU_DoC_workstations/

Lenovo cannot accept responsibility for any failure to satisfy the protection requirements resulting from a non-recommended modification of the product, including the installation of option cards from other manufacturers. This product has been tested and found to comply with the limits for Class B equipment according to European Standards harmonized in the Directives in compliance. The limits for Class B equipment were derived for typical residential environments to provide reasonable protection against interference with licensed communication devices.

German Class B compliance statement

Deutschsprachiger EU Hinweis:

Hinweis für Geräte der Klasse B EU-Richtlinie zur Elektromagnetischen Verträglichkeit

Dieses Produkt entspricht den Schutzanforderungen der EU-Richtlinie 2014/30/EU (früher 2004/108/EC) zur Angleichung der Rechtsvorschriften über die elektromagnetische Verträglichkeit in den EU-Mitgliedsstaaten und hält die Grenzwerte der Klasse B der Norm gemäß Richtlinie.

Um dieses sicherzustellen, sind die Geräte wie in den Handbüchern beschrieben zu installieren und zu betreiben. Des Weiteren dürfen auch nur von der Lenovo empfohlene Kabel angeschlossen werden. Lenovo übernimmt keine Verantwortung für die Einhaltung der Schutzanforderungen, wenn das Produkt ohne Zustimmung der Lenovo verändert bzw. wenn Erweiterungskomponenten von Fremdherstellern ohne Empfehlung der Lenovo gesteckt/eingebaut werden.

Deutschland:

Einhaltung des Gesetzes über die elektromagnetische Verträglichkeit von Betriebsmitteln

Dieses Produkt entspricht dem „Gesetz über die elektromagnetische Verträglichkeit von Betriebsmitteln“ EMVG (früher „Gesetz über die elektromagnetische Verträglichkeit von Geräten“). Dies ist die Umsetzung der EMV EU Richtlinie 2014/30/EU (früher 2004/108/EWG) in der Bundesrepublik Deutschland.

Zulassungsbescheinigung laut dem Deutschen Gesetz über die elektromagnetische Verträglichkeit von Betriebsmitteln, EMVG vom 20. Juli 2007 (früher Gesetz über die elektromagnetische Verträglichkeit von Geräten), bzw. der EMV EU Richtlinie 2014/30/EU (früher 2004/108/EC), für Geräte der Klasse B.

Dieses Gerät ist berechtigt, in Übereinstimmung mit dem Deutschen EMVG das EG-Konformitätszeichen - CE - zu führen. Verantwortlich für die Konformitätserklärung nach Paragraf 5 des EMVG ist die Lenovo (Deutschland) GmbH, Meitnerstr. 9, D-70563 Stuttgart.

Informationen in Hinsicht EMVG Paragraf 4 Abs. (1) 4:
Das Gerät erfüllt die Schutzanforderungen nach EN 55024 und EN 55022 Klasse B.

Korean wireless-radio compliance information

무선설비 전파 혼신 (사용주파수 2400~2483.5, 5725~5825 무선제품 해당)
해당 무선설비가 전파혼신 가능성이 있으므로 인명안전과 관련된 서비스는 할 수 없음

Japan VCCI Class B compliance statement

この装置は、クラスB情報技術装置です。この装置は、家庭環境で使用すること
を目的としています。この装置がラジオやテレビジョン受信機に近接して使
用されると、受信障害を引き起こすことがあります。

取扱説明書に従って正しい取り扱いをして下さい。

VCCI-B

Japan compliance statement for products which connect to the power mains with rated current less than or equal to 20 A per phase

日本の定格電流が 20A/相 以下の機器に対する高調波電流規制
高調波電流規格 JIS C 61000-3-2 適合品

Japan notice for ac power cord

The ac power cord shipped with your product can be used only for this specific product. Do not use the ac power cord for other devices.

本製品およびオプションに電源コード・セットが付属する場合は、
それぞれ専用のものでありますので他の電気機器には使用し
ないでください。

Lenovo product service information for Taiwan

委製商/進口商名稱: 荷蘭商聯想股份有限公司台灣分公司
進口商地址: 台北市內湖區堤頂大道2段89號5樓
進口商電話: 0800-000-702 (代表號)

Keyboard and mouse compliance statement for Taiwan

本產品隨貨附已取得經濟部標準檢驗局認可之PS/2或USB的鍵盤與滑鼠一組

Eurasian compliance mark



Brazil audio notice

Ouvir sons com mais de 85 decibéis por longos períodos pode provocar danos ao sistema auditivo.

Mexico wireless-radio compliance information

Advertencia: En Mexico la operación de este equipo está sujeta a las siguientes dos condiciones: (1) es posible que este equipo o dispositivo no cause interferencia perjudicial y (2) este equipo o dispositivo debe aceptar cualquier interferencia, incluyendo la que pueda causar su operación no deseada.

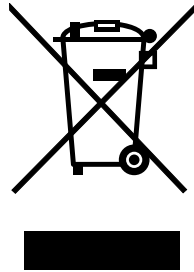
Additional regulatory information

For additional regulatory information, refer to the *Regulatory Notice* shipped with your computer. Depending on the configuration of your computer and the country or region where the computer was purchased, you might have received additional printed regulatory notices. All regulatory notices are available on the Lenovo Support Web site in electronic format. To access electronic copies of the documentation, go to <http://www.lenovo.com/support>.

Appendix D. WEEE and recycling information

Lenovo encourages owners of information technology (IT) equipment to responsibly recycle their equipment when it is no longer needed. Lenovo offers various programs and services to assist equipment owners in recycling their IT products. The latest environmental information is available at <http://www.lenovo.com/ecodeclaration>.

Important WEEE information



The WEEE marking on Lenovo products applies to countries with WEEE and e-waste regulations (for example, the European WEEE Directive, India E-Waste Management & Handling Rules). Appliances are labeled in accordance with local regulations concerning waste electrical and electronic equipment (WEEE). These regulations determine the framework for the return and recycling of used appliances as applicable within each geography. This label is applied to various products to indicate that the product is not to be thrown away, but rather put in the established collection systems for reclaiming these end of life products.

Users of electrical and electronic equipment (EEE) with the WEEE marking must not dispose of end of life EEE as unsorted municipal waste, but use the collection framework available to them for the return, recycle, and recovery of WEEE and to minimize any potential effects of EEE on the environment and human health due to the presence of hazardous substances. Lenovo electrical and electronic equipment (EEE) may contain parts and components, which at end-of-life might qualify as hazardous waste.

EEE and waste electrical and electronic equipment (WEEE) can be delivered free of charge to the place of sale or any distributor that sells electrical and electronic equipment of the same nature and function as the used EEE or WEEE.

For additional WEEE information, go to:
<http://www.lenovo.com/recycling>

WEEE information for Hungary

Lenovo, as a producer, bears the cost incurred in connection with the fulfillment of Lenovo's obligations under Hungary Law No. 197/2014 (VIII.1.) subsections (1)-(5) of section 12.

Recycling information for Japan

Collecting and recycling a disused Lenovo computer or monitor

If you are a company employee and need to dispose of a Lenovo computer or monitor that is the property of the company, you must do so in accordance with the Law for Promotion of Effective Utilization of Resources. Computers and monitors are categorized as industrial waste and should be properly disposed of by an industrial waste disposal contractor certified by a local government. In accordance with the Law for Promotion of Effective Utilization of Resources, Lenovo Japan provides, through its PC Collecting

and Recycling Services, for the collecting, reuse, and recycling of disused computers and monitors. For details, visit the Lenovo Web site at <http://www.lenovo.com/recycling/japan>. Pursuant to the Law for Promotion of Effective Utilization of Resources, the collecting and recycling of home-used computers and monitors by the manufacturer was begun on October 1, 2003. This service is provided free of charge for home-used computers sold after October 1, 2003. For details, visit the Lenovo Web site at <http://www.lenovo.com/recycling/japan>.

Disposing of Lenovo computer components

Some Lenovo computer products sold in Japan may have components that contain heavy metals or other environmental sensitive substances. To properly dispose of disused components, such as a printed circuit board or drive, use the methods described above for collecting and recycling a disused computer or monitor.

Disposing of disused lithium batteries from Lenovo computers

A button-shaped lithium battery is installed inside your Lenovo computer to provide power to the computer clock while the computer is off or disconnected from the main power source. If you need to replace it with a new one, contact your place of purchase or contact Lenovo for service. If you need to dispose of a disused lithium battery, insulate it with vinyl tape, contact your place of purchase or an industrial-waste-disposal operator, and follow their instructions. Disposal of a lithium battery must comply with local ordinances and regulations.

Recycling information for Brazil

Declarações de Reciclagem no Brasil

Descarte de um Produto Lenovo Fora de Uso

Equipamentos elétricos e eletrônicos não devem ser descartados em lixo comum, mas enviados à pontos de coleta, autorizados pelo fabricante do produto para que sejam encaminhados e processados por empresas especializadas no manuseio de resíduos industriais, devidamente certificadas pelos órgãos ambientais, de acordo com a legislação local.

A Lenovo possui um canal específico para auxiliá-lo no descarte desses produtos. Caso você possua um produto Lenovo em situação de descarte, ligue para o nosso SAC ou encaminhe um e-mail para: reciclar@lenovo.com, informando o modelo, número de série e cidade, a fim de enviarmos as instruções para o correto descarte do seu produto Lenovo.

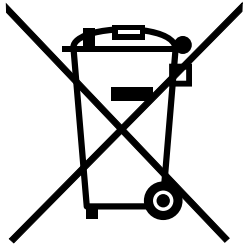
Battery recycling information for Taiwan



廢電池請回收

Battery recycling information for the European Union

EU



Notice: This mark applies only to countries within the European Union (EU).

Batteries or packaging for batteries are labeled in accordance with European Directive 2006/66/EC concerning batteries and accumulators and waste batteries and accumulators. The Directive determines the framework for the return and recycling of used batteries and accumulators as applicable throughout the European Union. This label is applied to various batteries to indicate that the battery is not to be thrown away, but rather reclaimed upon end of life per this Directive.

In accordance with the European Directive 2006/66/EC, batteries and accumulators are labeled to indicate that they are to be collected separately and recycled at end of life. The label on the battery may also include a chemical symbol for the metal concerned in the battery (Pb for lead, Hg for mercury, and Cd for cadmium). Users of batteries and accumulators must not dispose of batteries and accumulators as unsorted municipal waste, but use the collection framework available to customers for the return, recycling, and treatment of batteries and accumulators. Customer participation is important to minimize any potential effects of batteries and accumulators on the environment and human health due to the potential presence of hazardous substances.

Before placing electrical and electronic equipment (EEE) in the waste collection stream or in waste collection facilities, the end user of equipment containing batteries and/or accumulators must remove those batteries and accumulators for separate collection.

Disposing of lithium batteries and battery packs from Lenovo products

A coin-cell type lithium battery might be installed inside your Lenovo product. You can find details about the battery in the product documentation. If the battery needs to be replaced, contact your place of purchase or contact Lenovo for service. If you need to dispose of a lithium battery, insulate it with vinyl tape, contact your place of purchase or a waste-disposal operator, and follow their instructions.

Disposing of battery packs from Lenovo products

Your Lenovo device might contain a lithium-ion battery pack or a nickel metal hydride battery pack. You can find details on the battery pack in the product documentation. If you need to dispose of a battery pack, insulate it with vinyl tape, contact Lenovo sales, service, or your place of purchase, or a waste-disposal operator, and follow their instructions. You also can refer to the instructions provided in the user guide for your product.

For proper collection and treatment, go to:
<http://www.lenovo.com/lenovo/environment>

Appendix E. Restriction of Hazardous Substances Directive (RoHS)

The latest environmental information is available at <http://www.lenovo.com/ecodeclaration>.

European Union RoHS

This Lenovo product, with included parts (cables, cords, and so on) meets the requirements of Directive 2011/65/EU on the restriction of the use of certain hazardous substances in electrical and electronic equipment (“RoHS recast” or “RoHS 2”).

For more information about Lenovo worldwide compliance on RoHS, go to: http://www.lenovo.com/social_responsibility/us/en/RoHS_Communication.pdf

China RoHS

产品中有害物质的名称及含量

部件名称	有害物质					
	铅(Pb)	汞(Hg)	镉(Cd)	六价铬 (Cr(VI))	多溴连苯 (PBB)	多溴二苯醚 (PBDE)
印刷电路板组件*	X	O	O	O	O	O
硬盘	X	O	O	O	O	O
光驱	X	O	O	O	O	O
内存	X	O	O	O	O	O
电脑I/O 附件	X	O	O	O	O	O
电源	X	O	O	O	O	O
键盘	X	O	O	O	O	O
鼠标	X	O	O	O	O	O
机箱/ 附件	X	O	O	O	O	O
电池	X	O	O	O	O	O

本表格依据 SJ/T 11364 的规定编制。
 O：表示该有害物质在该部件所有均质材料中的含量均在 GB/T 26572 规定的限量要求以下。
 X：表示该有害物质至少在该部件的某一均质材料中的含量超出 GB/T 26572 规定的限量要求。
 注：表中标记“X”的部件，皆因全球技术发展水平限制而无法实现有害物质的替代。
 印刷电路板组件*：包括印刷电路板及其零部件、电容和连接器
 根据型号的不同，可能不会含有以上的所有部件，请以实际购买机型为准



在中华人民共和国境内销售的电子信息产品必须标识此标志，标志内的数字代表在正常使用状态下的产品的环保使用期限

Turkish RoHS

The Lenovo product meets the requirements of the Republic of Turkey Directive on the Restriction of the Use of Certain Hazardous Substances in Waste Electrical and Electronic Equipment (WEEE).

Türkiye AEEE Yönetmeliğine Uygunluk Beyanı

Bu Lenovo ürünü, T.C. Çevre ve Orman Bakanlığı'nın "Atık Elektrik ve Elektronik Eşyalarda Bazı Zararlı Maddelerin Kullanımının Sınırlandırılmasına Dair Yönetmelik (AEEE)" direktiflerine uygundur.

AEEE Yönetmeliğine Uygundur.

Ukraine RoHS

Цим підтверджуємо, що продукція Леново відповідає вимогам нормативних актів України, які обмежують вміст небезпечних речовин

India RoHS

RoHS compliant as per E-Waste (Management & Handling) Rules.

Taiwan RoHS

單元	限用物質及其化學符號					
	鉛 (Pb)	汞 (Hg)	鎘 (Cd)	六價鉻 (Cr ⁺⁶)	多溴聯苯 (PBB)	多溴二苯醚 (PBDE)
印刷電路板組件	—	○	○	○	○	○
硬碟	—	○	○	○	○	○
光碟機	—	○	○	○	○	○
記憶體	—	○	○	○	○	○
電腦I/O配件	—	○	○	○	○	○
電源供應器	—	○	○	○	○	○
鍵盤	—	○	○	○	○	○
滑鼠	—	○	○	○	○	○
機殼/配件	—	○	○	○	○	○

備考1. "超出0.1 wt %" 及 "超出0.01 wt %" 係指限用物質之百分比含量超出百分比含量基準值。
備考2. "○" 係指該項限用物質之百分比含量未超出百分比含量基準值。
備考3. "—" 係指該項限用物質為排除項目。

Appendix F. ENERGY STAR model information



ENERGY STAR® is a joint program of the U.S. Environmental Protection Agency and the U.S. Department of Energy aimed at saving money and protecting the environment through energy efficient products and practices.

Lenovo is proud to offer our customers products with an ENERGY STAR compliant designation. Some models of the following machine types have been designed and tested to conform to the ENERGY STAR program requirement for computers at the time of manufacture: 30B8Z28ZUS and 30B8Z290US. For more information about ENERGY STAR ratings for Lenovo computers, go to:

<http://www.lenovo.com>

By using ENERGY STAR compliant products and taking advantage of the power-management features of your computer, you reduce the consumption of electricity. Reduced electrical consumption contributes to potential financial savings, a cleaner environment, and the reduction of greenhouse gas emissions.

For more information about ENERGY STAR, go to:

<http://www.energystar.gov>

Lenovo encourages you to make efficient use of energy an integral part of your day-to-day operations. To help in this endeavor, set the following power-management features to take effect when your computer has been inactive for a specified duration:

Table 4. ENERGY STAR power-management features

Windows 7 or Windows 10 operating system
Power plan: Default <ul style="list-style-type: none">• Turn off the display: After 10 minutes• Put the computer to sleep: After 25 minutes• Advanced power settings:<ul style="list-style-type: none">– Turn off hard disk drives: After 20 minutes– Hibernate: Never

To awaken your computer from a Sleep mode, press any key on your keyboard.

To change power settings, do the following:

1. Click the Start button to open the Start menu.
2. Depending on your Windows version, do one of the following:
 - For Windows 7: Click **Control Panel**.
 - For Windows 10: Click **Windows System** → **Control Panel**.
3. View Control Panel by Large icons or Small icons, and then click **Power Options**.

4. Follow the instructions on the screen.

Appendix G. Notices

Lenovo may not offer the products, services, or features discussed in this document in all countries. Consult your local Lenovo representative for information on the products and services currently available in your area. Any reference to a Lenovo product, program, or service is not intended to state or imply that only that Lenovo product, program, or service may be used. Any functionally equivalent product, program, or service that does not infringe any Lenovo intellectual property right may be used instead. However, it is the user's responsibility to evaluate and verify the operation of any other product, program, or service.

Lenovo may have patents or pending patent applications covering subject matter described in this document. The furnishing of this document does not give you any license to these patents. You can send license inquiries, in writing, to:

*Lenovo (United States), Inc.
1009 Think Place - Building One
Morrisville, NC 27560
U.S.A.
Attention: Lenovo Director of Licensing*

LENOVO PROVIDES THIS PUBLICATION "AS IS" WITHOUT WARRANTY OF ANY KIND, EITHER EXPRESS OR IMPLIED, INCLUDING, BUT NOT LIMITED TO, THE IMPLIED WARRANTIES OF NON-INFRINGEMENT, MERCHANTABILITY OR FITNESS FOR A PARTICULAR PURPOSE. Some jurisdictions do not allow disclaimer of express or implied warranties in certain transactions, therefore, this statement may not apply to you.

This information could include technical inaccuracies or typographical errors. Changes are periodically made to the information herein; these changes will be incorporated in new editions of the publication. Lenovo may make improvements and/or changes in the products and/or the programs described in this publication at any time without notice.

The products described in this document are not intended for use in implantation or other life support applications where malfunction may result in injury or death to persons. The information contained in this document does not affect or change Lenovo product specifications or warranties. Nothing in this document shall operate as an express or implied license or indemnity under the intellectual property rights of Lenovo or third parties. All information contained in this document was obtained in specific environments and is presented as an illustration. The result obtained in other operating environments may vary.

Lenovo may use or distribute any of the information you supply in any way it believes appropriate without incurring any obligation to you.

Any references in this publication to non-Lenovo Web sites are provided for convenience only and do not in any manner serve as an endorsement of those Web sites. The materials at those Web sites are not part of the materials for this Lenovo product, and use of those Web sites is at your own risk.

Any performance data contained herein was determined in a controlled environment. Therefore, the result obtained in other operating environments may vary significantly. Some measurements may have been made on development-level systems and there is no guarantee that these measurements will be the same on generally available systems. Furthermore, some measurements may have been estimated through extrapolation. Actual results may vary. Users of this document should verify the applicable data for their specific environment.

Trademarks

The following terms are trademarks of Lenovo in the United States, other countries, or both:

- Lenovo
- The Lenovo logo
- ThinkStation
- The ThinkStation logo
- ThinkVantage

Microsoft, Windows, and Windows Media are trademarks of the Microsoft group of companies.

Intel, Thunderbolt, and Xeon are trademarks of Intel Corporation or its subsidiaries in the U.S. and/or other countries.

Linux is a registered trademark of Linus Torvalds.

DisplayPort and Mini DisplayPort are trademarks of the Video Electronics Standards Association.

Android is a trademark of Google Inc.

Ubuntu is a registered trademark of Canonical Ltd.

Other company, product, or service names may be trademarks or service marks of others.

Lenovo™