

ThinkStation P7  
(Intel)  
Linux User Guide

Lenovo  
**ThinkStation**



**Lenovo**

## **Read this first**

Before using this documentation and the product it supports, ensure that you read and understand the following:

- *Safety and Warranty Guide*
- *Generic Safety and Compliance Notices*
- *Setup Guide*

**Fifth Edition (March 2025)**

**© Copyright Lenovo 2023, 2025.**

LIMITED AND RESTRICTED RIGHTS NOTICE: If data or software is delivered pursuant to a General Services Administration "GSA" contract, use, reproduction, or disclosure is subject to restrictions set forth in Contract No. GS-35F-05925.



---

# Contents

## Discover your Lenovo computer . . . . .iii

### Chapter 1. Meet your computer . . . . . 1

Side ventilation notice . . . . .	1
Front . . . . .	1
Rear . . . . .	3
Specifications . . . . .	5
Expand your computer . . . . .	7
USB specifications . . . . .	8

### Chapter 2. Get started with your computer . . . . . 11

Connect an external display . . . . .	11
Get started with Ubuntu Desktop . . . . .	11
Access networks . . . . .	12
Connect to the wired Ethernet . . . . .	12
Connect to Wi-Fi networks (for selected models) . . . . .	12
Transfer data . . . . .	12
Connect to a Bluetooth-enabled device (for selected models) . . . . .	13
Use a media card (for selected models) . . . . .	13
Set the power plan . . . . .	13

### Chapter 3. Advanced configurations . . . . . 15

Security solutions . . . . .	15
Lock the computer . . . . .	15
Use BIOS security solutions . . . . .	16
UEFI BIOS . . . . .	18
What is UEFI BIOS . . . . .	18
Enter the BIOS menu . . . . .	19
Navigate in the BIOS interface . . . . .	19
Change the display language of UEFI BIOS . . . . .	19
Change the display mode of UEFI BIOS (for selected models) . . . . .	19
Set the system date and time. . . . .	20
Change the priority boot order . . . . .	20
Enable or disable the configuration change detection feature . . . . .	20
Enable or disable the automatic power-on feature . . . . .	21
Enable or disable the ErP LPS compliance mode . . . . .	21
Change BIOS settings before installing a new operating system . . . . .	21
Update UEFI BIOS . . . . .	22
Reset system to factory default . . . . .	22
View UEFI BIOS Event logs . . . . .	22

## Chapter 4. CRU replacement . . . . . 25

CRU list . . . . .	25
System board . . . . .	26
ThinkStation logo badge . . . . .	28
ID badge . . . . .	29
Top cover . . . . .	29
Wi-Fi antenna cover . . . . .	31
Side cover . . . . .	32
Fans . . . . .	34
CPU duct . . . . .	34
Front fan . . . . .	35
Rear fan . . . . .	36
Upper PCIe fan . . . . .	37
Lower PCIe fan and hard disk drive fan . . . . .	39
Flex bay fan . . . . .	40
Memory fan kit . . . . .	40
Storage drives . . . . .	43
Optional internal storage drive cage . . . . .	43
Hard disk drive in the optional internal storage drive cage . . . . .	44
Hard disk drive in the internal storage drive bay . . . . .	45
Solid-state drive bracket in internal storage drive bay. . . . .	46
On-board vertical M.2 solid-state drive module . . . . .	48
On-board horizontal M.2 solid-state drive . . . . .	48
M.2 solid-state drive holder . . . . .	52
M.2 solid-state drive on an M.2 solid-state drive PCIe adapter . . . . .	54
Flex module . . . . .	62
Storage box in flex module. . . . .	63
M.2 solid-state drive in storage box . . . . .	64
15-in-1 Media card reader . . . . .	65
PCIe cards. . . . .	67
NVLINK retainer . . . . .	67
NVLINK bridge . . . . .	68
Super capacitor module. . . . .	69
PCIe card bracket . . . . .	70
PCIe card and extender . . . . .	71
PCIe card installation rule . . . . .	74
Cable connection . . . . .	75
Front panel I/O assembly . . . . .	78
ThinkStation LED cable and holder . . . . .	79
Internal speaker. . . . .	80
Power supply assembly. . . . .	81

<b>Chapter 5. Help and support</b>	<b>85</b>
Self-help resources	85
Lenovo diagnostic tools	85
Call Lenovo	86
Before you contact Lenovo	86
Lenovo Customer Support Center	86
Certification-related information	87
Compliance information	87
Purchase additional services	87

Purchase accessories	87
----------------------	----

<b>Appendix A. Supplemental information about the Ubuntu operating system</b>	<b>89</b>
---	-----------

<b>Appendix B. Notices and trademarks</b>	<b>91</b>
---	-----------

---

## Discover your Lenovo computer

**Thank you for choosing a Lenovo computer! We are dedicated to delivering the best solution to you.**

Before starting your tour, please read the following information:

- Illustrations in this documentation might look different from your product.
- Depending on the model, some optional accessories, features, software programs, and user interface instructions might not be applicable to your computer.
- Documentation content is subject to change without notice. To get the latest documentation, go to <https://pcsupport.lenovo.com>.





---

## Chapter 1. Meet your computer

---

### Side ventilation notice

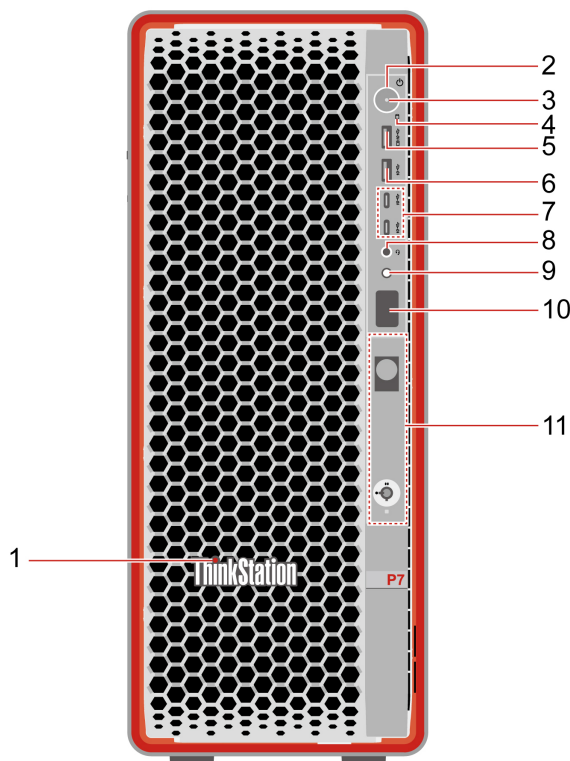
Side ventilation design is available on some models. Pay attention to the ventilation distance requirements for models with different configurations:

- Systems configured with rear-exhausting graphics cards (such as NVIDIA RTX 6000 Ada) do not require side ventilation.
- Systems configured with internal-exhausting graphics cards (such as GeForce RTX 4070 and GeForce RTX 4080) require side ventilation. Do not block air vents on the left side cover. To ensure heat dissipation, do not place any objects within 4.5 cm (1.8 inches) or 1 rack unit from the left side cover.
- For rack-mounted systems, a rack spacer is recommended in the gap above the system.

**Note:** Do not install internal-exhausting graphics cards (such as GeForce RTX 4070 and GeForce RTX 4080) on systems without side ventilation on the left side cover.

---

### Front



Item	Description	Item	Description
1	ThinkStation® LED	2	Power button
3	Power indicator	4	Storage indicator
5	Always On USB-A 3.2 Gen 2 connector*	6	USB-A 3.2 Gen 2 connectors*
7	USB-C® (3.2 Gen 2) connectors*	8	Headset connector

Item	Description	Item	Description
9	Diagnostic LCD switch	10	Diagnostic LCD
11	Flex module*		

\* for selected models

### Statement on USB transfer rate

Depending on many factors such as the processing capability of the host and peripheral devices, file attributes, and other factors related to system configuration and operating environments, the actual transfer rate using the various USB connectors on this device will vary and will be slower than the data rate listed below for each corresponding device.

USB device	Data rate (Gbit/s)
3.2 Gen 1	5
3.2 Gen 2	10
3.2 Gen 2 × 2	20
Thunderbolt 3	40
Thunderbolt 4	40

### Power indicator

Show the system status of your computer.

- **On:** The computer is starting up or working.
- **Off:** The computer is off or in hibernation mode.
- **Blinking slowly:** The computer is in sleep mode.

### Always On USB-A 3.2 Gen 2 connector

With the Always On USB feature enabled, the Always On USB-A 3.2 Gen 2 connector can charge a USB-A compatible device when the computer is on, off, in sleep mode, or in hibernation mode.

### Diagnostic LCD switch

Use the diagnostic LCD switch to turn on or turn off the diagnostic LCD, and handle occurred events.

Status	Behavior and function
No event	<b>Short press:</b> Turn on or turn off the diagnostic LCD. Date and time will be displayed on the LCD when it is turned on. The LCD will turn off automatically if idle for three minutes.
Error events occur	The diagnostic LCD will turn on automatically when an error event occurs. <ul style="list-style-type: none"> <li>• <b>Short press (when multiple events occur):</b> Switch among error events and display the corresponding QR code of the selected event.</li> <li>• <b>Long press (about 3 seconds):</b> Clear the selected event.</li> </ul>

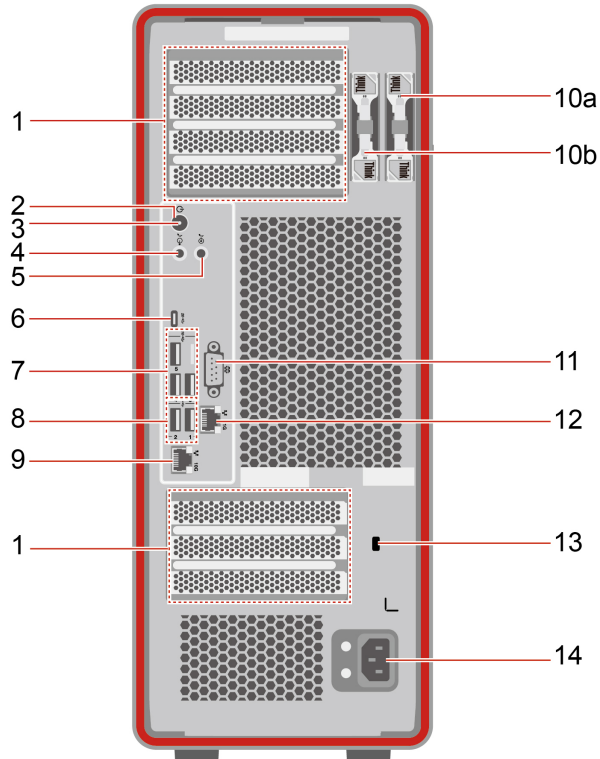
### Diagnostic LCD

Display the diagnostic information when an issue or error is detected. You can decode the error code at <https://www.thinkworkstationsoftware.com/codes>.

## Related topics

- “USB specifications” on page 8.

## Rear

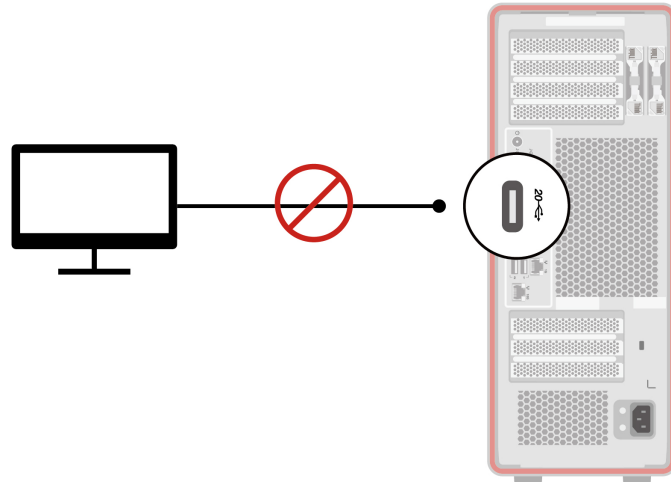


Item	Description	Item	Description
1.	PCI-Express card areas	2.	Power button
3.	Power indicator	4.	Audio line-out connector
5.	Audio line-in connector	6.	USB-C® (3.2 Gen 2x2) connector
7.	USB-A 3.2 Gen 2 connectors	8.	USB-A 2.0 connectors
9.	Ethernet connector (10G)	10a	Key-nest for side cover
10b	Key-nest for M.2 SSD storage box	11.	Serial connector*
12.	Ethernet connector (1G)	13.	Security-lock slot
14.	Power cord connector		

\* for selected models

### USB-C (3.2 Gen 2x2) connector

Do not connect your external display to the USB-C connector on the rear panel. Otherwise, the external display will not work and the USB-C connector may get damaged.



### **Serial connector**

Connect an external modem, a serial printer, or other devices that use a serial connector.

### **PCI-Express card areas**

Install PCI-Express cards into these areas to improve the operating performance of the computer. Depending on the computer model, the video output connectors in these areas might be HDMI™ connectors, DisplayPort™ connectors or Mini DisplayPort™ connectors.

### **Related topics**

- “Lock the computer” on page 15.
- “USB specifications” on page 8.



---

## Specifications

---

Specifications	Description
<b>Dimensions</b>	<ul style="list-style-type: none"><li>• Width: 175mm (6.9 inches)</li><li>• Height: 440 mm (17.3 inches, with feet)</li><li>• Depth: 508 mm (20 inches)</li></ul>
<b>Weight (without packaging)</b>	Maximum configuration as shipped: 24.5kg (54 lb)
<b>Hardware configuration</b>	<ol style="list-style-type: none"><li>1. Open the system menu from the top-right corner and click <b>Settings</b>.</li><li>2. Click <b>About</b>.</li></ol>
<b>Power supply</b>	<ul style="list-style-type: none"><li>• 1000-watt 92% power supply</li><li>• 1400-watt 92% power supply</li></ul>
<b>Electrical input</b>	<ul style="list-style-type: none"><li>• Input voltage: From 100 V ac to 240 V ac</li><li>• Input frequency: 50/60 Hz</li></ul>
<b>Microprocessor</b>	To view the microprocessor information of your computer, enter <b>Settings</b> and click <b>About</b> .
<b>Memory</b>	Up to eight double data rate 5 (DDR5) error correction code (ECC) registered dual inline memory modules (RDIMMs)  Maximum memory capacity: Up to 2 TB (8 x 256 GB if available)
<b>Storage device</b>	<ul style="list-style-type: none"><li>• 3.5-inch hard disk drive*</li><li>• 2280 Gen 4 or Gen 5 M.2 solid-state drive*</li></ul> <p><b>Notes:</b></p> <ul style="list-style-type: none"><li>• The M.2 solid-state drive in the flex module is hot-swappable.</li><li>• Type Disks in the search box and use the <b>Disks</b> application to view the storage drive capacity of your computer.</li><li>• The storage drive capacity indicated by the system is less than the nominal capacity.</li></ul>
<b>Video features</b>	<ul style="list-style-type: none"><li>• PCIe x16 card slots on the system board for a discrete graphics card</li><li>• Video connectors on a discrete graphics card:<ul style="list-style-type: none"><li>– DisplayPort connector*</li><li>– Mini DisplayPort connector*</li><li>– HDMI out connector*</li></ul></li></ul>
<b>Expansion</b>	<ul style="list-style-type: none"><li>• Flex bay*</li><li>• Memory slots</li><li>• M.2 solid-state drive slots</li><li>• Storage drive bay</li><li>• PCI-Express slots</li></ul>
<b>Network features</b>	<ul style="list-style-type: none"><li>• Bluetooth*</li><li>• Ethernet LAN</li><li>• Wireless LAN*</li></ul>

---

\* for selected models

## **Operating environment**

### **Maximum altitude (without pressurization)**

- Operating: From 0 m (0 ft) to 3048 m (10 000 ft)
- Storage: From 0 m (0 ft) to 12192 m (40 000 ft)

### **Temperature**

- Operating: From 10°C (50°F) to 35°C (95°F)
- Storage: From -40°C (-40°F) to 60°C (140°F)

### **Relative humidity**

- Operating: 20%-80% (non-condensing)
- Storage: 10%–90% (non-condensing)

### **System memory speed**

The Intel Xeon® or Intel Core™ microprocessor families compatible with this ThinkStation computer feature an integrated memory controller. The memory controller provides the microprocessor with direct access to the system memory. Therefore, the system memory speed will be determined by the memory module type, frequency, size (capacity), the number of memory modules installed, and the microprocessor model.

#### **Notes:**

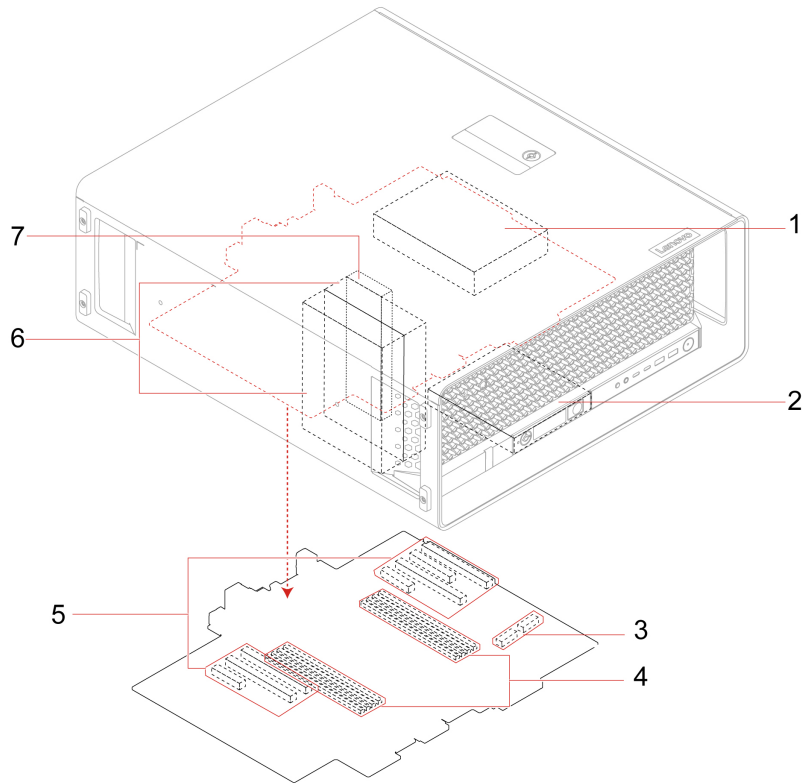
- The actual system memory speed of the memory modules varies depending on the microprocessor model. For example, your computer comes with 2666 MT/s memory modules, but the microprocessor only supports up to 2400 MT/s memory modules. Then the system memory speed will be no faster than 2400 MT/s.
- The microprocessor models supported in your computer might vary. For a list of supported microprocessor models, contact the Lenovo Customer Support Center.

Refer to the following information about the system memory speed:

- **Memory module types:** DDR5 ECC RDIMMs
- **Memory module speed:** 4800 MT/s

## Expand your computer

You can enhance your computer capacity and performance by adding various devices according to the following rules:



Item	Description
1. Optional hard disk drive bay*	You can install a 3.5-inch hard disk drive in the optional storage drive bay in selected modules.
2. Flex bay*	Depending on your computer model, one of the following devices might be installed in the flex bay: <ul style="list-style-type: none"> <li>• Flex module*</li> <li>• 15-in-1 media card reader*</li> </ul> In flex module, you can install a 2280 Gen4 M.2 solid-state drive* (hot-swappable) with a storage box.
3. On-board horizontal M.2 solid-state drive slots	Up to two 2280 Gen 4 or Gen 5 M.2 solid-state drives are installed horizontally in selected models.
4. Memory slots	Up to eight memory modules are installed in selected models.
5. PCI-Express slots	You can install compatible PCI-Express cards in the PCI-Express slots.
6. Internal storage drive bay	You can install hard disk drives and solid-state drives in the internal storage drive bay.
7. On-board vertical Solid-state drive slot*	You can install a 2280 Gen 4 M.2 solid-state drive vertically in selected models.

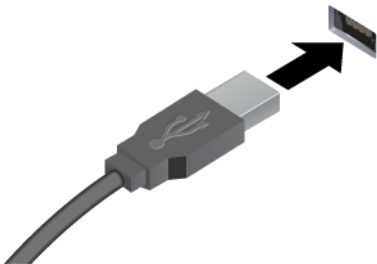

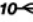
**Note:** For better performance, it is recommended that you install M.2 solid-state drives of the same generation.

---

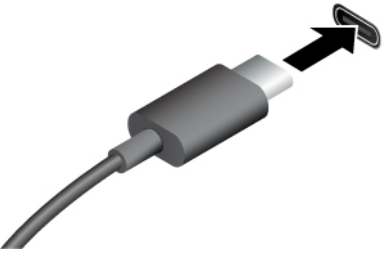
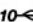

## USB specifications

Depending on the model, some USB connectors might not be available on your computer.

---

Connector name	Description
 <ul style="list-style-type: none"><li>•  USB-A 2.0 connector</li><li>•  USB-A 3.2 Gen 2 connector</li></ul>	<p>Connect USB-A compatible devices, such as a USB-A keyboard, USB-A mouse, USB-A storage device, or USB-A printer.</p>

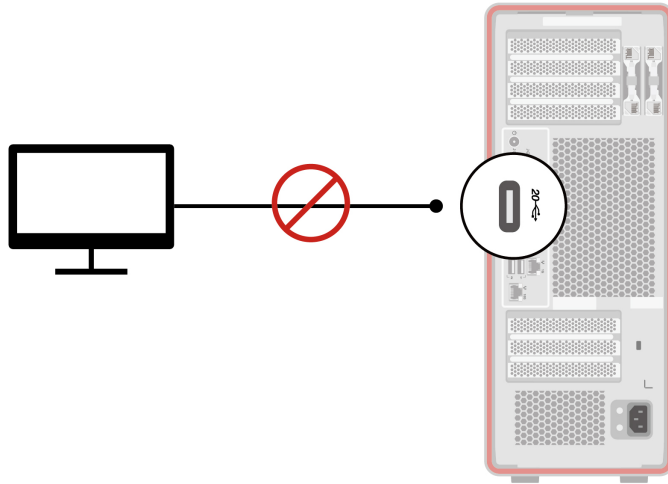
---

 <ul style="list-style-type: none"><li>•  USB-C (3.2 Gen 2) connector</li><li>•  USB-C (3.2 Gen 2x2) connector</li></ul>	<ul style="list-style-type: none"><li>• Charge USB-C compatible devices with the output voltage and current of 5 V and 3 A.</li><li>• Connect to USB-C accessories to help expand your computer functionality. To purchase USB-C accessories, go to <a href="https://www.lenovo.com/accessories">https://www.lenovo.com/accessories</a>.</li></ul>
--	--

---

**Note:** Do not connect your external display to the USB-C connector on the rear panel. Otherwise, the external display will not work and the USB-C connector may get damaged.







---

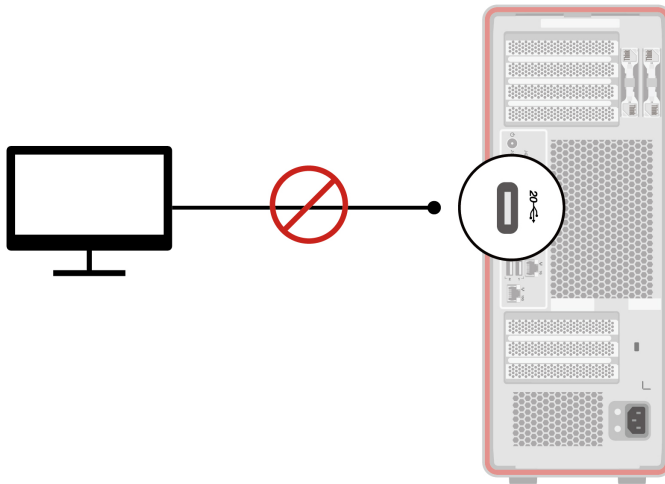
## Chapter 2. Get started with your computer

---

### Connect an external display

Connect a projector or a monitor to your computer to give presentations or expand your workspace.

**Note:** Do not connect your external display to the USB-C connector on the rear panel. Otherwise, the external display will not work and the USB-C connector may get damaged.



### Change display settings

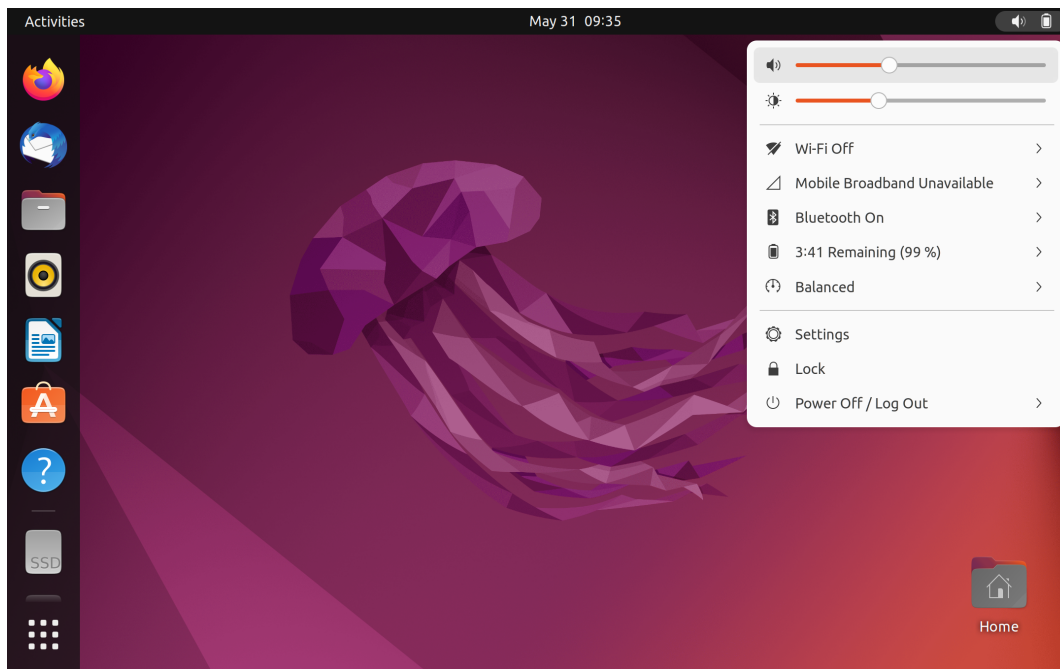
Right-click a blank area on the desktop and select **Display settings**. Then, you can change display settings as you prefer.

---

## Get started with Ubuntu Desktop

Learn the basics of Ubuntu and start working with it right away. For more information about Ubuntu, see the Ubuntu documentation site at: <https://help.ubuntu.com/lts/ubuntu-help/index.html>.

The Gnome desktop is installed by default and is designed to be simple and easy to use. Details on using Gnome are available by launching the Help application or online at <https://help.gnome.org/users/>.



### Launch an app

- Press the Super key (with the Windows logo) or open the Activities menu on the top left and type in the name of the application you want to launch.
- Click the **Show Applications** button on the lower left, and select the application you want to launch.

### Launch settings

Open the system menu from the top-right corner and click **Settings**.

---

## Access networks

This section helps you access networks through connecting to a wired or wireless network.

### Connect to the wired Ethernet

Connect your computer to a local network through the Ethernet connector on your computer with an Ethernet cable.

**Note:** For models with an Intel X710-T2L Ethernet adapter, it's recommended to prepare a Shielded Twisted Pair (STP) Category 6A Ethernet cable for Ethernet connection on the adapter.

### Connect to Wi-Fi networks (for selected models)

If your computer includes a wireless LAN module, you can connect your computer to Wi-Fi® networks.

1. Open the system menu from the top-right corner and expand the Wi-Fi section of the menu.
2. Click **Select Network**. A list of available wireless networks is displayed.
3. Select a network available for connection. Provide required information, if needed.

---

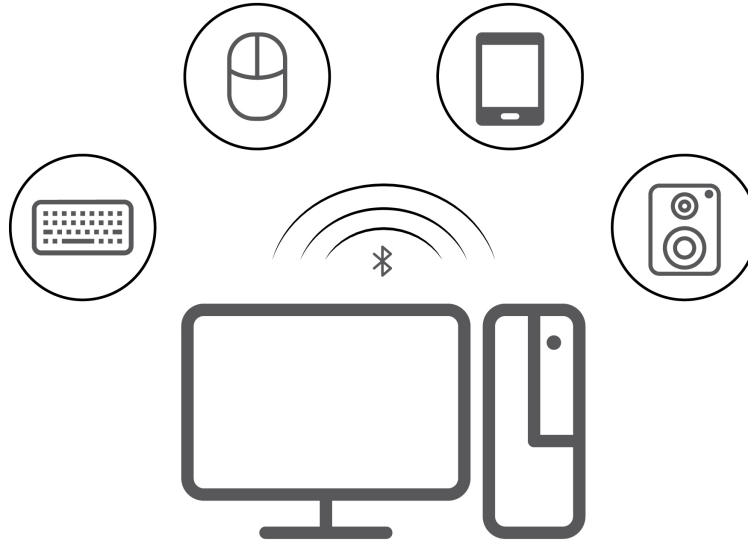
## Transfer data

Quickly share your files using the built-in Bluetooth technology among devices with the same features. You also can install a disc or media card to transfer data.



## Connect to a Bluetooth-enabled device (for selected models)

You can connect all types of Bluetooth-enabled devices to your computer, such as a keyboard, a mouse, a smartphone, or speakers. Place the device that you are attempting to connect to less than 10 meters (33 feet) from the computer.



1. Turn on Bluetooth on the computer.
  - a. Open the system menu from the top-right corner and then click **Settings → Bluetooth**.
  - b. In the Bluetooth section enable Bluetooth with the toggle button at the top.
2. Any discoverable devices will be shown in the **Devices** list.
3. Select a Bluetooth device, and then follow the on-screen instructions.

## Use a media card (for selected models)

If your computer has an SD-card slot, read the following information.

### Install a media card

1. Locate the SD-card slot.
2. Ensure that the metal contacts on the card are facing the ones in the SD-card slot. Insert the card firmly into the SD-card slot until it is secured in place.

### Remove a media card

**Attention:** Before removing a media card, unmount the card from the operating system first. Otherwise, data on the card might get corrupted or lost.

1. Launch the **Files** application.
2. Select the unmount icon next to the card and unmount the card from the operating system.
3. Press the card and remove it from your computer. Store the card safely for future use.

---

## Set the power plan

For ENERGY STAR® compliant computers, the following power plan takes effect when your computers have been idle for a specified duration:

- Turn off the display: After 5 minutes
- Put the computer to sleep: After 20 minutes

To awaken the computer from Sleep mode, press any key on your keyboard.

To set the power plan:

1. Go to **Settings → Power**.
2. Choose or customize a power plan of your preference.

---

## Chapter 3. Advanced configurations

---

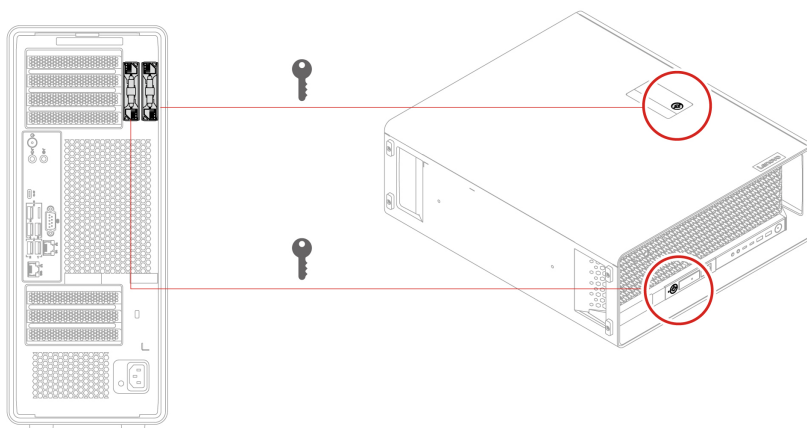
### Security solutions

Lenovo values your information security. Your computer can be secured by physical locks and BIOS solutions. They can protect your computer from harm, theft, or unauthorized use.

### Lock the computer

**Note:** Lenovo makes no comments, judgments, or warranties about the function, quality, or performance of the locking device and security feature. You can purchase computer locks from Lenovo.

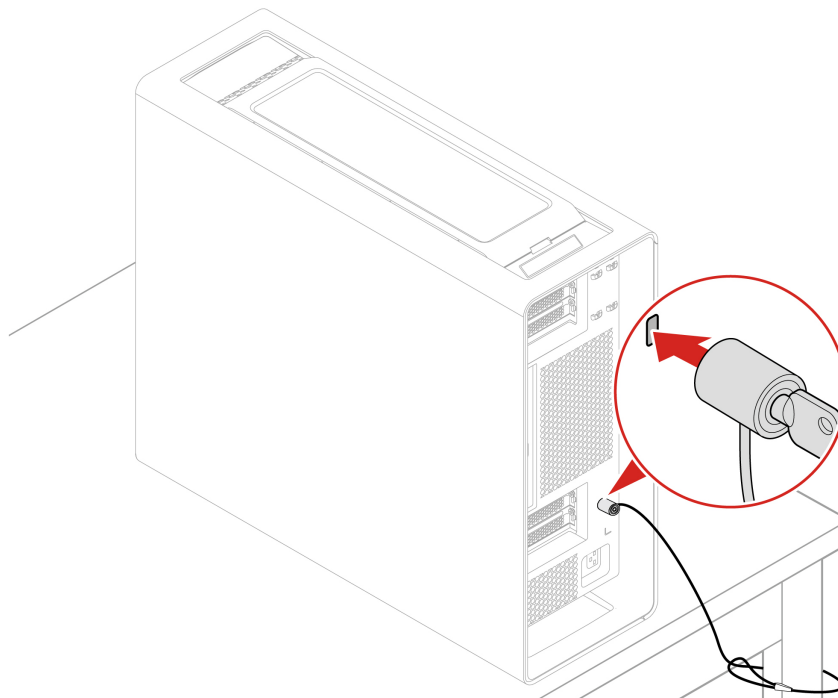
#### Key lock



- Locks
  - Locks for side cover and front access bay prevent unauthorized access to the inside of your computer chassis or storage drives.
  - The storage drive in the front access bay can be hot-swappable, which means that you can install or replace the drive without even turning off your computer. Therefore, lock the front access bay to prevent unexpected removal.
- Keys
  - The keys are attached to the rear panel. For security, store the keys in a secure place when you are not using them.
  - The keys can be carved with xx, for example, **00**, **01**, **02**, and **03**. The keys can unlock locks carved with the same numbers on the same computer or on other computers.
  - To unlock, turn the key clockwise to the position with a circle mark on the lock. To lock, turn the key counterclockwise.

#### Security lock

Lock your computer to a desk, table, or other fixtures through a security lock.



## Use BIOS security solutions

This section provides BIOS solutions to secure your computer and information.

### UEFI BIOS passwords

You can set passwords in UEFI (Unified Extensible Firmware Interface) BIOS (Basic Input/Output System) to strengthen the security of your computer.

#### Password types

You can set a power-on password, supervisor password, system management password, or hard disk password in UEFI BIOS to prevent unauthorized access to your computer. However, you are not prompted to enter any UEFI BIOS password when your computer resumes from sleep mode.

- Power-on password

When a power-on password is set, you are prompted to enter a valid password each time the computer is turned on.

- Supervisor password

Setting a supervisor password deters unauthorized users from changing configuration settings. If you are responsible for maintaining the configuration settings of several computers, you might want to set a supervisor password.

When a supervisor password is set, you are prompted to enter a valid password each time you try to enter the BIOS menu.

If both the power-on password and supervisor password are set, you can enter either password.

However, you must use your supervisor password to change any configuration settings.

- Hard disk password (for selected models)

Setting a hard disk password prevents unauthorized access to the data on the storage drive. When a hard disk password is set, you are prompted to enter a valid password each time you try to access the storage drive.

**Note:** After you set a hard disk password, your data on the storage drive is protected even if the storage drive is removed from one computer and installed in another.

- System management password (for selected models)

You can enable the system management password to have the same authority as the supervisor password to control security related features. To customize the authority of the system management password through the UEFI BIOS menu:

1. Restart the computer. When the logo screen is displayed, press F1 or Fn+F1.
2. Select **Security** → **System Management Password Access Control**.
3. Follow the on-screen instructions.

If you have set both the supervisor password and the system management password, the supervisor password overrides the system management password.

### Set, change, and remove a password

Before you start, print these instructions.

1. Restart the computer. When the logo screen is displayed, press F1 or Fn+F1.
2. Select **Security**.
3. Depending on the password type, select **Set Supervisor Password**, **Set Power-On Password**, **Set System Management Password**, or **Hard Disk Password** and press Enter.
4. Follow the on-screen instructions to set, change, or remove a password.
5. Press F10 or Fn+F10 to save the changes and exit.

You should record your passwords and store them in a safe place. If you forget the passwords, contact a Lenovo-authorized service provider.

**Note:** If the hard disk password is forgotten, Lenovo cannot remove the password or recover data from the storage drive.

### Wipe the storage drive data

It is recommended that you wipe the storage drive data before recycling the storage drive or the computer.

To wipe the storage drive data:

1. Restart the computer. When the logo screen is displayed, press F1 or Fn+F1.
2. Select **Security** → **secure wipe** → **Enabled**.
3. Press F10 or Fn+F10 to save the changes and exit.
4. Restart the computer. When the logo screen is displayed, press F12 or Fn+F12.
5. Select **App Menu** → **secure wipe** and press Enter.
6. Select the storage drive you will wipe and click **NEXT**.
7. Select the entire storage drive or partition to wipe as desired.
8. Select the method as desired and click **NEXT**.
9. Click **Yes** to confirm your option when the prompting window is displayed.
10. If you have set a hard disk password for the storage drive, enter the password. Otherwise, set a temporary password following the on-screen instructions. Then, click **NEXT**. The wiping process begins.

**Note:** Duration of the wiping process varies depending on the storage drive capacity.

11. Click **Reboot** when you are prompted to reset the system, and then one of the following will happen:
  - If the system storage drive data is wiped, you will be prompted that no operating system is found.
  - If the non-system storage drive data is wiped, the computer restarts automatically.

## Cover presence switch

The cover presence switch prevents the computer from logging in to the operating system when the computer cover is not properly installed or closed.

To enable or disable the cover presence switch connector on the system board:

1. Restart the computer. When the logo screen is displayed, press F1 or Fn+F1.
2. Select **Security → Cover Tamper Detected** and press Enter.
3. Select **Enabled** or **Disabled** and press Enter.
4. Press F10 or Fn+F10 to save the changes and exit.

If the cover presence switch is enabled and the computer cover is not correctly installed or closed, an error message will be displayed when you turn on the computer. To bypass the error message and log in to the operating system, properly install and close the computer cover, and then disable the cover presence switch in the BIOS menu.

## Intel BIOS guard

The Intel BIOS Guard module cryptographically verifies all BIOS updates. This hardware-based security helps prevent software and malware attacks on the computers BIOS.

## Smart USB Protection

The Smart USB Protection function is a security function that helps prevent data from being copied from the computer to USB storage devices connected to the computer. You can set the Smart USB Protection function to one of the following modes:

- **Disabled** (default setting): You can use the USB storage devices without limitation.
- **Read Only**: You cannot copy data from the computer to the USB storage devices. However, you can access data on the USB storage devices.
- **No Access**: You cannot access the USB storage devices from the computer.

To configure the Smart USB Protection function:

1. Restart the computer. When the logo screen is displayed, press F1 or Fn+F1.
2. Select **Security → Smart USB Protection** and press Enter.
3. Select the desired setting and press Enter.
4. Press F10 or Fn+F10 to save the changes and exit.

---

## UEFI BIOS

UEFI BIOS is the first program that the computer runs. When the computer turns on, the UEFI BIOS performs a self test to make sure that various devices in the computer are functioning properly.

## What is UEFI BIOS

**Note:** The operating system settings might override any similar settings in UEFI BIOS.

UEFI BIOS is the first program that the computer runs when the computer is turned on. UEFI BIOS initializes the hardware components and loads the operating system and other programs. Your computer comes with a setup program with which you can change UEFI BIOS settings.

## Enter the BIOS menu

Restart the computer. When the logo screen is displayed, press F1 or Fn+F1 to enter the BIOS menu.

**Note:** If you have set BIOS passwords, enter the correct passwords when prompted. You also can select **No** or press Esc to skip the password prompt and enter the BIOS menu. However, you cannot change the system configurations that are protected by passwords.

## Navigate in the BIOS interface

**Attention:** The default configurations are already optimized for you in **boldface**. Improper change of the configurations might cause unexpected results.

Depending on your keyboard, you can navigate in the BIOS interface by pressing the following keys, or combinations of Fn and the following keys:

Key	Function
F1 or Fn+F1	General Help
Esc or Fn+Esc	Exit the submenu
↑ ↓ or Fn+↑ ↓	Locate an item
← → or Fn+← →	Move keyboard focus
+/- or Fn++/-	Change value
Enter	Enter the submenu
F9 or Fn+F9	Setup Defaults
F10 or Fn+F10	Save and exit

## Change the display language of UEFI BIOS

UEFI BIOS supports three or four display languages: English, French, simplified Chinese, and Russian (for selected models).

To change the display language of UEFI BIOS:

1. Select **Main → Language** and press Enter.
2. Set the display language as desired.

## Change the display mode of UEFI BIOS (for selected models)

You can use UEFI BIOS in the graphic mode or the text mode according to your needs.

The keys on the keyboard used to perform various tasks are displayed at the bottom of the screen. In addition to the keyboard, you also can use the mouse to make selections.

To change the display mode of UEFI BIOS:

1. Restart the computer. When the logo screen is displayed, press F1 or Fn+F1.
2. Select **Main → Setup Mode Select** and press Enter.
3. Set the display mode as desired.

## Set the system date and time

1. Restart the computer. When the logo screen is displayed, press F1 or Fn+F1.
2. Select **Main → System Time & Date** and press Enter.
3. Set the system date and time as desired.
4. Press F10 or Fn+F10 to save the changes and exit.

## Change the priority boot order

If the computer does not boot from a device as expected, you can change the boot priority order permanently or select a temporary boot device.

### Change the priority boot order permanently

1. Depending on the type of the storage device, do one of the following:
  - If the storage device is internal, go to step 2.
  - If the storage device is a disc, ensure that the computer is on or turn on the computer. Then, insert the disc into the optical drive.
  - If the storage device is an external device other than a disc, connect the storage device to the computer.
2. Restart the computer. When the logo screen is displayed, press F1 or Fn+F1.
3. Select **Startup → Priority Boot Order**, and then follow the on-screen instructions to change the boot priority order.
4. You can also select the first priority device group by selecting **Startup → First Boot Device**, and then follow the on-screen instructions to select the first boot device within this group. Your computer will boot from the first boot device before trying the boot priority order you set in the previous step.
5. Press F10 or Fn+F10 to save the changes and exit.

### Select a temporary boot device

**Note:** Not all discs and storage drives are bootable.

1. Depending on the type of the storage device, do one of the following:
  - If the storage device is internal, go to step 2.
  - If the storage device is a disc, ensure that the computer is on or turn on the computer. Then, insert the disc into the optical drive.
  - If the storage device is an external device other than a disc, connect the storage device to the computer.
2. Restart the computer. When the logo screen is displayed, press F12 or Fn+F12.
3. Select the storage device as desired and press Enter.

If you want to change the boot priority order permanently, select **Enter Setup** on Startup Device Menu and press Enter to enter the BIOS menu.

## Enable or disable the configuration change detection feature

If you enable configuration change detection, when the POST detects configuration changes of some hardware devices (such as storage drives or memory modules), an error message will be displayed when you turn on the computer.

To enable or disable the configuration change detection feature:

1. Restart the computer. When the logo screen is displayed, press F1 or Fn+F1.



2. Select **Security → Configuration Change Detection** and press Enter.
3. Enable or disable the feature as desired.
4. Press F10 or Fn+F10 to save the changes and exit.

To bypass the error message and log in to the operating system, press F2 or Fn+F2. To clear the error message, enter the BIOS menu, save and then exit.

## Enable or disable the automatic power-on feature

The Automatic Power On item in UEFI BIOS provides various options for you to make your computer start up automatically.

To enable or disable the automatic power-on feature:

1. Restart the computer. When the logo screen is displayed, press F1 or Fn+F1.
2. Select **Power → Automatic Power On** and press Enter.
3. Select the feature as desired and press Enter.
4. Enable or disable the feature as desired.
5. Press F10 or Fn+F10 to save the changes and exit.

## Enable or disable the ErP LPS compliance mode

Lenovo computers meet the eco-design requirements of the ErP Lot 3 regulation. For more information, go to:

<https://www.lenovo.com/us/en/compliance/eco-declaration>

You can enable the ErP LPS compliance mode to reduce the consumption of electricity when the computer is off or in sleep mode.

To enable or disable the ErP LPS compliance mode:

1. Restart the computer. When the logo screen is displayed, press F1 or Fn+F1.
2. Select **Power → Enhanced Power Saving Mode** and press Enter.
3. Depending on whether you select **Enabled** or **Disabled**, do one of the following:
  - If you select **Enabled**, press Enter. Then, select **Power → Automatic Power On** and press Enter. Check whether the Wake on LAN feature is disabled automatically. If no, disable it.
  - If you select **Disabled**, press Enter. Then, go to the next step.
4. Press F10 or Fn+F10 to save the changes and exit.

When the ErP LPS compliance mode is enabled, you can wake up the computer by doing one of the following:

- Press the power button.
- Enable the Wake Up on Alarm feature to make the computer wake up at a set time.

## Change BIOS settings before installing a new operating system

BIOS settings vary by operating system. Change the BIOS settings before installing a new operating system.

To change the BIOS settings:

1. Restart the computer. When the logo screen is displayed, press F1 or Fn+F1.
2. From the main interface, select **Security → Secure Boot** and press Enter.

3. Depending on the operating system to be installed, do one of the following:
  - To install the Windows 10 (64-bit) and most of Linux operating system, select **Enabled** for **Secure Boot**.
  - To install an operating system that does not support secure boot, select **Disabled** for **Secure Boot**.
4. Press F10 or Fn+F10 to save the changes and exit.

## Update UEFI BIOS

When you install a new program, device driver, or hardware component, you might need to update UEFI BIOS. You can update the BIOS from your operating system or a flash update disc (supported only on selected models).

Download and install the latest UEFI BIOS update package by one of the following methods:

- Using the built-in software update service:
  - Ubuntu software update will check the LVFS site for any firmware updates and notify you when updates are available.
- From the Lenovo Support Web site:
  1. Go to <https://pcsupport.lenovo.com>.
  2. Download the flash BIOS update driver for the operating system version or the ISO image version (used to create a flash update disc). Then, download the installation instructions for the flash BIOS update driver you have downloaded.
  3. Print the installation instructions and follow the instructions to update the BIOS.

## Reset system to factory default

This feature allows you to reset the UEFI BIOS to the factory default settings, including all UEFI BIOS settings and internal data. It helps you wipe user data in case that you want to dispose of or reuse your computer.

1. Restart the computer. When the logo screen is displayed, press F1 to enter the UEFI BIOS menu.
2. Select **Security** → **Reset system to Factory Default** and press Enter.
3. Several warning windows might be displayed. Do the following before resetting the system to the factory default settings:
  - a. Deactivate the Absolute Persistence Module.
  - b. Remove the NVMe password if you have set one.
4. For computer models with RAID settings, a window is displayed to remind you of data damage. Select **Yes** to proceed.
5. A window is displayed to confirm all UEFI BIOS settings will be reset. Select **Yes** to proceed.

**Note:** If the **Intel AMT control** and **Absolute Persistence(R) Module** are permanently disabled, these settings cannot be reset successfully.

6. Enter the supervisor password, system management password or power-on password in the window prompted.

Your computer will restart immediately. It takes a few minutes to complete the initialization process. Your computer screen might be blank during this process. This is normal and you should not interrupt it.

## View UEFI BIOS Event logs

The UEFI BIOS Event log viewer provides the brief information about UEFI BIOS events. Do the following to view the logs:

1. Restart the computer. When the logo screen is displayed, press F1.
2. Select **Main → BIOS Event log**. Then, press Enter. The UEFI BIOS Event log interface is displayed.
3. Navigate the interface by pressing the following keys, and then check details by selecting each item.
  - ↑ ↓: Move keyboard focus
  - PgUp / PgDn: Scroll page
  - Enter: Select
  - F3: Exit

The following UEFI BIOS event logs might be listed on your screen depending on UEFI BIOS activities. Each log consists of a date, a time, and a description of the event.

- **Power On** event: This log shows the Power On Self Test (POST) routine has started with the power-on process. It includes the power-on reason, the boot mode, and the shutdown reason.
- **Subcomponent Code Measurement** event: This log shows the subcomponent code measurement has worked. It includes the validation result of each component.
- **System Preboot Authentication** event: This log shows what credential is provided to gain preboot authentication. It includes the installed password, the password type, the input device, and the authentication result.
- **BIOS Password Change** event: This log shows the change history of the UEFI BIOS passwords. It includes the password type, the type and result of the event.
- **Subcomponent Self-healing** event: This log shows the information about the subcomponent where the recovery event occurred. It includes the cause and result of the event, and the recovered firmware version.
- **BIOS Setup Configuration Change** event: This log shows the change history of the UEFI BIOS Setup configuration. It includes the item name and value.
- **Device Change** event: This log shows the change history of devices. It includes the cause and type of the event.
- **System Boot** event: This log shows which device was utilized to boot the system. It includes the boot option, the description, and the file path list.
- **System Tamper** event: This log shows the occurrence of system tamper events. It includes the cause and type of the event.
- **POST Error** event: This log shows the occurrence of errors during the POST routine. It includes the error code.
- **Flash Update** event: This log shows the occurrence of flash update. It includes the cause and result of the event, and the updated firmware version.
- **Capsule Update** event: This log shows the occurrence of UEFI capsule firmware update. It includes the cause and result of the event, and the updated firmware version.
- **Log Cleared** event: This log shows UEFI BIOS event logs are cleared. It includes the cause and result of the event.
- **Shutdown / Reboot** event: This log shows the UEFI BIOS is successfully shut down or the system is rebooted. It includes the cause and type of the event.



---

## Chapter 4. CRU replacement

Customer Replaceable Units (CRUs) are parts that can be replaced by the customer. Lenovo computers contain the following types of CRUs:

- **Self-service CRUs:** Refer to parts that can be replaced easily by customer themselves or by trained service technicians at an additional cost.
- **Optional-service CRUs:** Refer to parts that can be replaced by customers with a greater skill level. Trained service technicians can also provide service to replace the parts under the type of warranty designated for the customer's machine.

If you intend on installing the CRU, Lenovo will ship the CRU to you. CRU information and replacement instructions are shipped with your product and are available from Lenovo at any time upon request. You might be required to return the defective part that is replaced by the CRU. When return is required: (1) return instructions, a prepaid shipping label, and a container will be included with the replacement CRU; and (2) you might be charged for the replacement CRU if Lenovo does not receive the defective CRU within thirty (30) days of your receipt of the replacement CRU. For full details, see the Lenovo Limited Warranty documentation at:

[https://www.lenovo.com/warranty/llw\\_02](https://www.lenovo.com/warranty/llw_02)

---

### CRU list

The following is the CRU list of your computer.

#### Self-service CRUs

- Blank bezel\*
- CPU duct\*
- Customized PCIe extender\*
- Fan grommet\*
- Fiber modules of some Ethernet Adapter cards\*
- Flex module tray\*
- Flex bay fan\*
- Front fan\*
- Hard disk drive\*
- Lower PCIe fan
- Hard disk drive fan\*
- Hard disk drive bracket\*
- ID badge
- Keyboard\*
- M.2 solid-state drive\*
- M.2 solid-state drive holder
- M.2 solid-state drive tray and thermal kit
- Mouse\*
- Memory module
- Memory fan duct

- NVLINK retainer\*
- Optional hard disk drive cage\*
- PCIe card\*
- PCIe card bracket\*
- Power cord
- Power supply assembly
- Rear fan
- Side cover
- Solid-state drive bracket\*
- Storage box in flex module\*
- Think LED holder
- ThinkStation logo badge
- ThinkStation LED cable
- Top cover
- Upper PCIe card fan
- Vertical solid state drive tray\*
- Wi-Fi antenna cover\*
- Super capacitor module\*

#### **Optional-service CRUs**

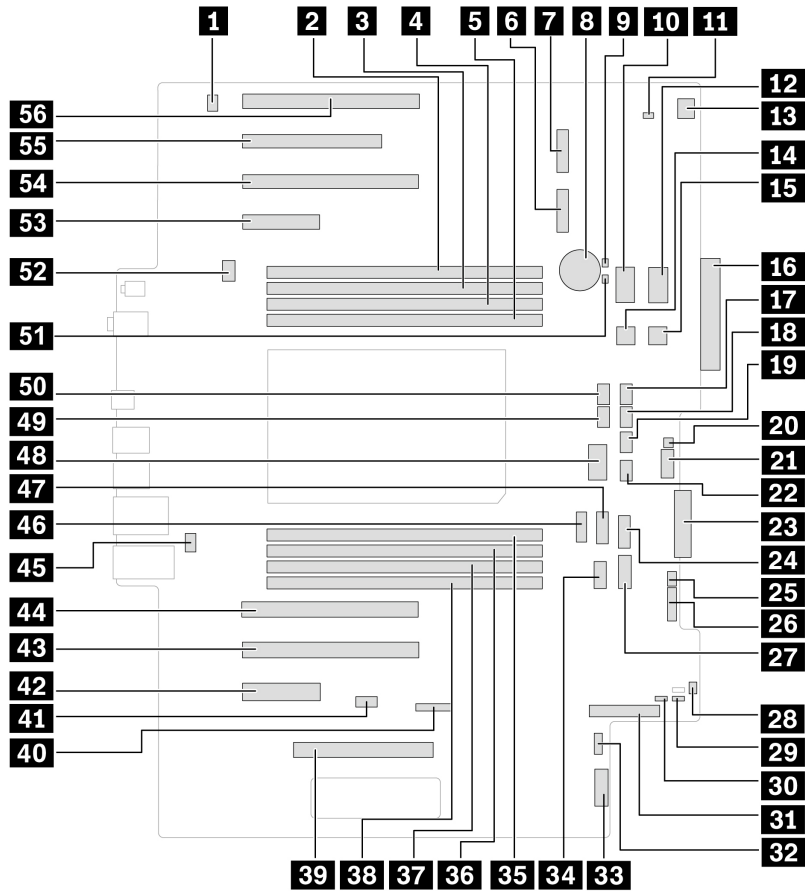
- 15-in-1 Media card reader\*
- PCBA of 15-in-1 media card reader\*
- Front panel I/O assembly
- Lock kit with random key\*
- NVLINK bridge\*
- NVMe BCB\*
- Internal speaker

\* for selected models

---

## **System board**

**Note:** The system board might look slightly different from the illustration.



Item	Item
<b>1</b> Internal speaker connector	<b>2</b> Memory slot 8
<b>3</b> Memory slot 7	<b>4</b> Memory slot 6
<b>5</b> Memory slot 5	<b>6</b> M.2 solid-state drive slot 1
<b>7</b> M.2 solid-state drive slot 2	<b>8</b> Coin-cell battery
<b>9</b> RST_FIO	<b>10</b> Graphics card power connector 1
<b>11</b> Cover presence switch connector (intrusion switch connector)	<b>12</b> Graphics card power connector 3
<b>13</b> PCIe card slot 1 to 4 fan connector	<b>14</b> Power connector of Internal bay 1
<b>15</b> Power connector of Internal bay 2	<b>16</b> Front panel connector
<b>17</b> Flex bay fan connector	<b>18</b> Memory fan 2 connector
<b>19</b> Memory fan 1 connector	<b>20</b> Thunderbolt power connector
<b>21</b> Thunderbolt connector	<b>22</b> PCIe card slot 5 to 7 fan connector
<b>23</b> Media card IO connector	<b>24</b> SATA 3 connector
<b>25</b> Flex-I2C	<b>26</b> APS
<b>27</b> SATA 1 connector	<b>28</b> Logo LED connector
<b>29</b> Clear CMOS	<b>30</b> CLR_RTC

Item	Item
<b>31</b> M.2 solid-state drive slot 3	<b>32</b> VROC
<b>33</b> ALT_TPM	<b>34</b> Internal USB 3.2 connector
<b>35</b> Memory slot 4	<b>36</b> Memory slot 3
<b>37</b> Memory slot 2	<b>38</b> Memory slot 1
<b>39</b> Auxiliary power connector	<b>40</b> BMC
<b>41</b> BMC USB connector	<b>42</b> PCIe 5.0 x4 card slot 7
<b>43</b> PCIe 4.0 x16 card slot 6	<b>44</b> PCIe 5.0 x 16 card slot 5
<b>45</b> Serial port connector	<b>46</b> Internal USB 2.0 connector
<b>47</b> SATA 2 connector	<b>48</b> Graphics card power connector 2
<b>49</b> Internal storage fan connector	<b>50</b> CPU fan connector
<b>51</b> Power button header	<b>52</b> Rear-fan-assembly connector
<b>53</b> PCIe 4.0 x 4 card slot 4	<b>54</b> PCIe 5.0 x 16 card slot 3
<b>55</b> PCIe 4.0 x 8 card slot 2	<b>56</b> PCIe 5.0 x 16 card slot 1

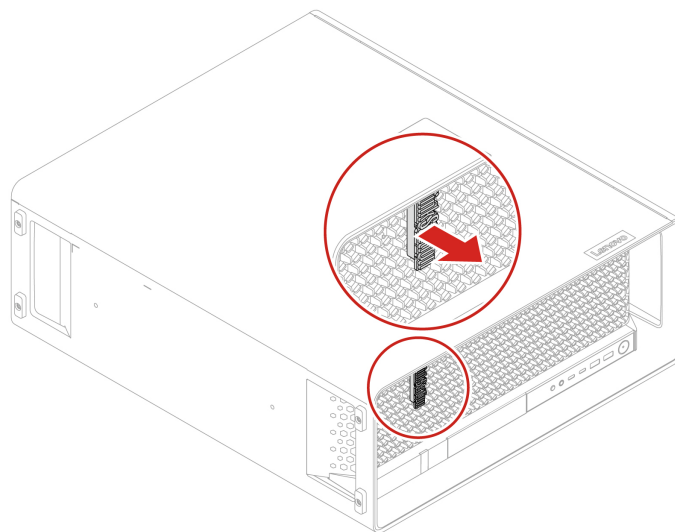
## ThinkStation logo badge

### Prerequisite

Before you start, read *Generic Safety and Compliance Notices*, and print the following instructions.

### Removal steps

Remove the ThinkStation logo badge.





---

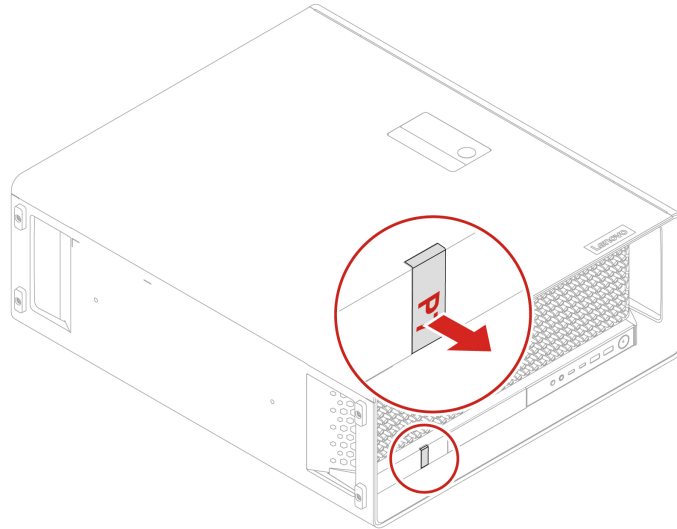
## ID badge

### Prerequisite

Before you start, read *Generic Safety and Compliance Notices*, and print the following instructions.

### Removal steps

Remove the ID badge.



---

## Top cover

### Prerequisite

Before you start, read *Generic Safety and Compliance Notices*, and print the following instructions.



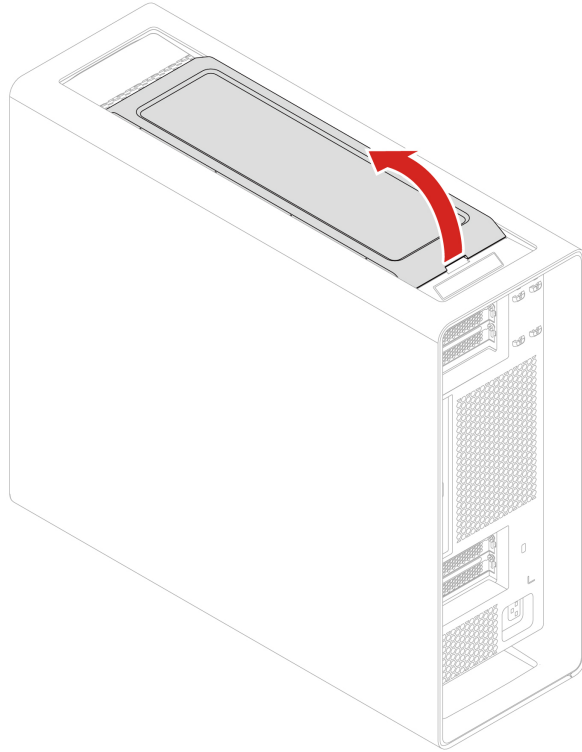
Before you open the computer cover, turn off the computer and wait several minutes until the computer is cool.

For access, do the following:

1. Remove any media from the drives and turn off all connected devices and the computer.
2. Disconnect all power cords from electrical outlets and disconnect all cables from the computer.

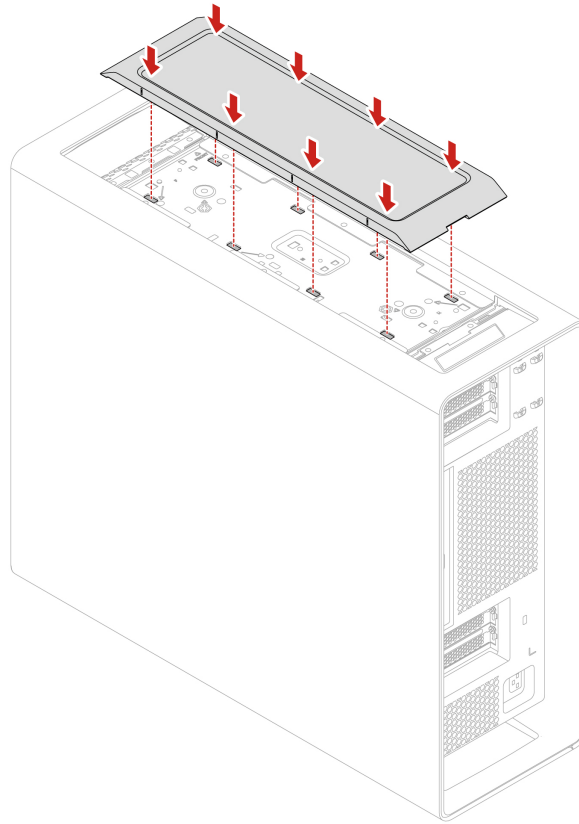
### Removal steps

Remove the top cover.



### **Installation steps**

Install the top cover.



---

## Wi-Fi antenna cover

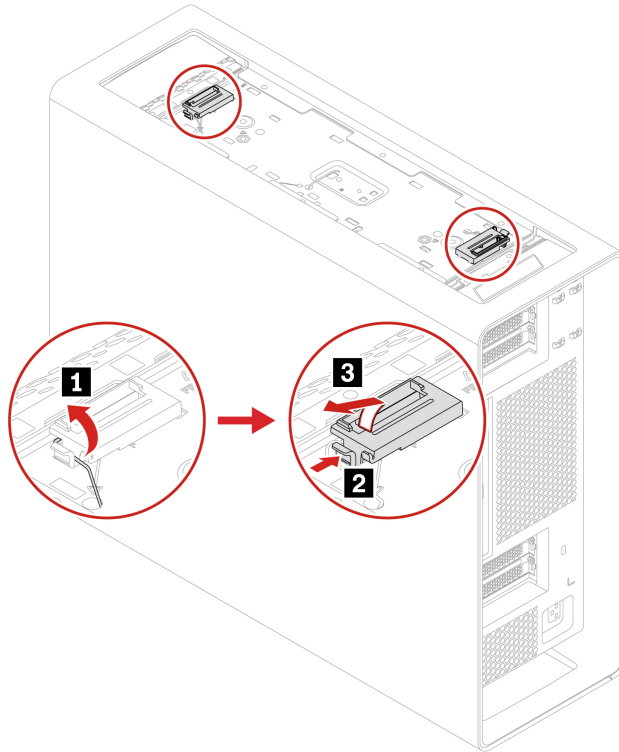
### Prerequisite

Before you start, read *Generic Safety and Compliance Notices*, and print the following instructions.

For access, remove the top cover. See “Top cover” on page 29.

### Removal steps

Remove the Wi-Fi antenna cover.



---

## Side cover

### Prerequisite

Before you start, read *Generic Safety and Compliance Notices*, and print the following instructions.



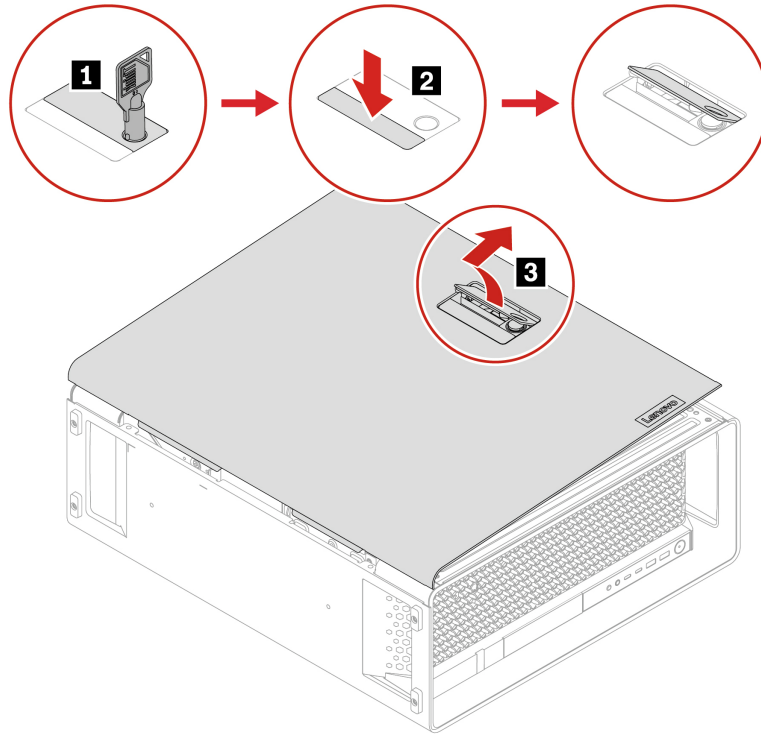
Before you open the side cover, turn off the computer and wait several minutes until the computer is cool.

For access, do the following:

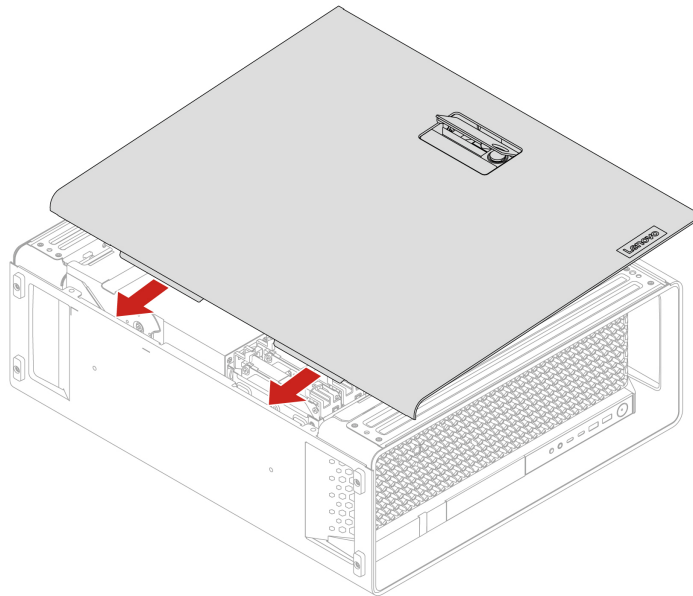
1. Remove any media from the drives and turn off all connected devices and the computer.
2. Disconnect all power cords from electrical outlets and disconnect all cables from the computer.
3. Unlock any locking device that secures the side cover.
4. Lay the computer on its side for easier access to the side cover.

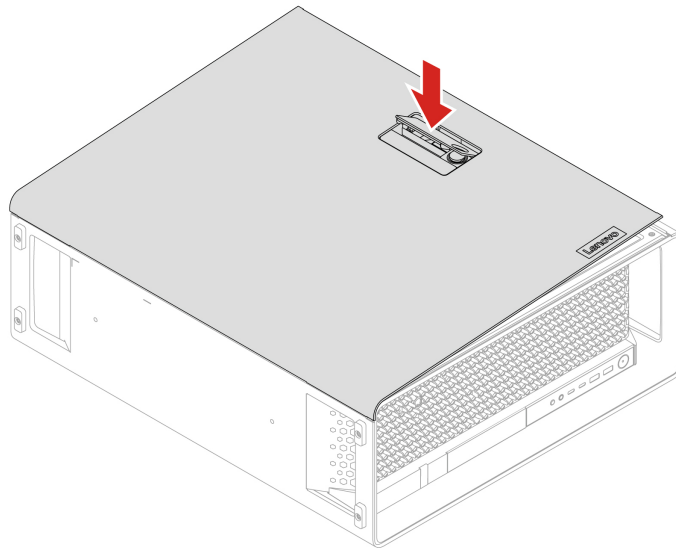
### Removal steps

Press to open the side cover handle and remove the side cover.



**Installation steps**  
Install the side cover.





---

## Fans

By reading this section, you will learn to replace the fans in your computer.

## CPU duct

### Prerequisite

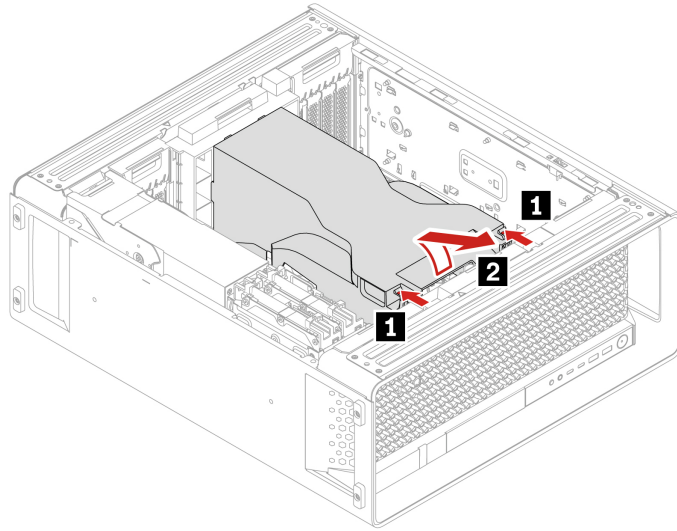
Before you start, read *Generic Safety and Compliance Notices*, and print the following instructions.

For access, do the following:

1. Remove the side cover. See “Side cover” on page 32.
2. Remove the optional internal storage drive cage. See “Optional internal storage drive cage” on page 43.

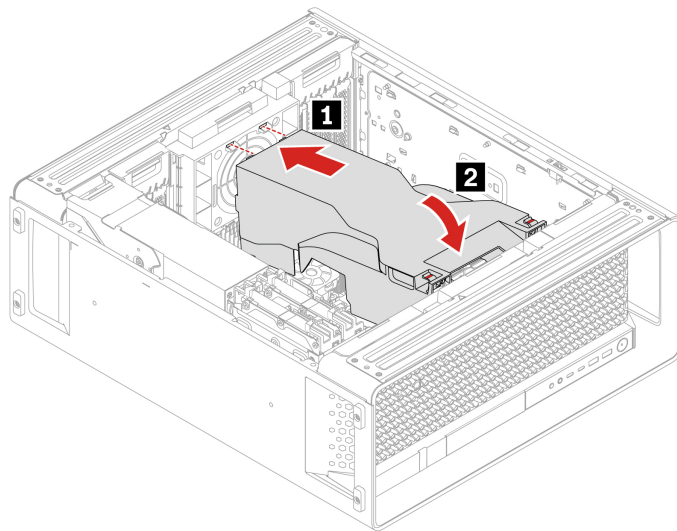
### Removal steps

Remove the CPU duct.



### Installation steps

Install the CPU duct.



## Front fan

### Prerequisite

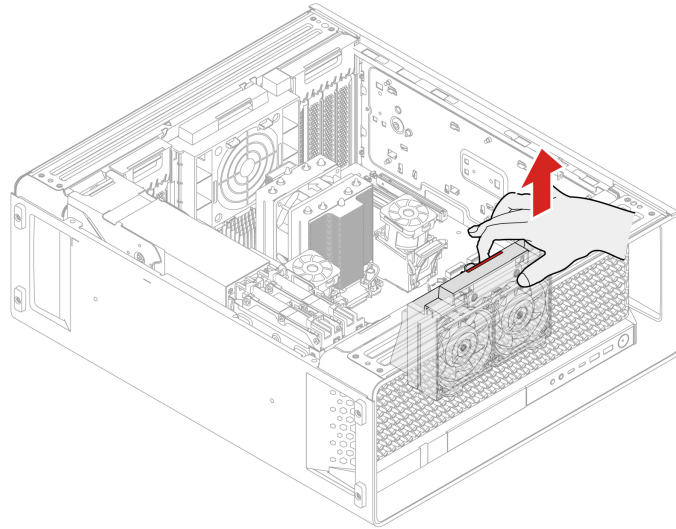
Before you start, read *Generic Safety and Compliance Notices*, and print the following instructions.

For access, do the following:

1. Remove the side cover. See “Side cover” on page 32.
2. Remove the optional internal storage drive cage. See “Optional internal storage drive cage” on page 43.
3. Remove the CPU duct. See “CPU duct” on page 34.
4. Disconnect the cable from the front fan.

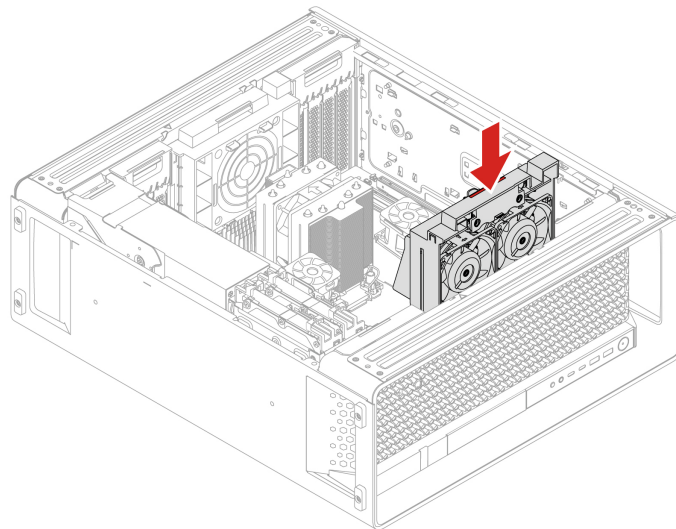
## Removal steps

Remove the fan.



## Installation steps

Install the fan.



## Rear fan

### Prerequisite

Before you start, read *Generic Safety and Compliance Notices*, and print the following instructions.

For access, do the following:

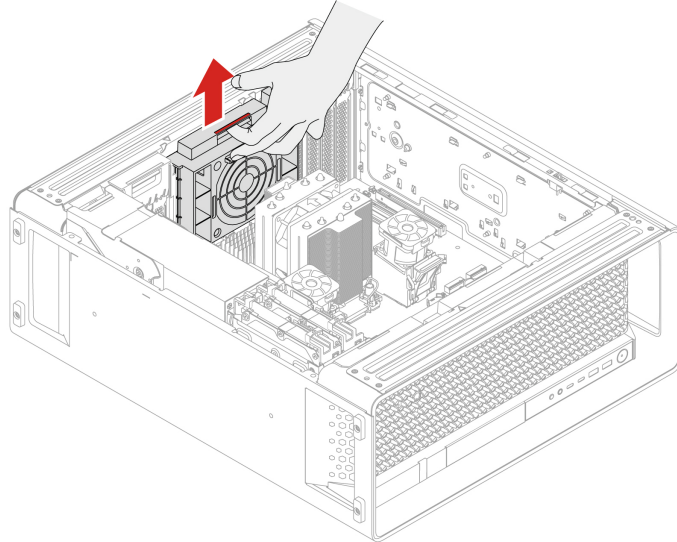
1. Remove the side cover. See “Side cover” on page 32.
2. Remove the optional internal storage drive cage. See “Optional internal storage drive cage” on page 43.



3. Remove the CPU duct. See “CPU duct” on page 34.
4. Disconnect the cable from the rear fan.

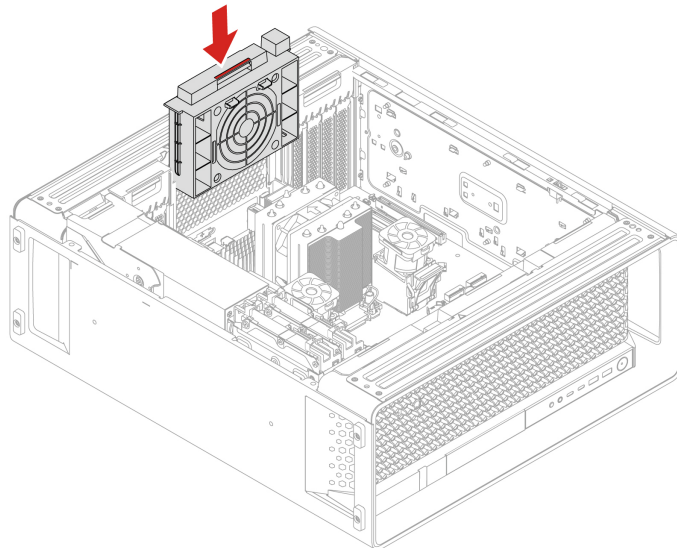
### Removal steps

Remove the fan.



### Installation steps

Install the fan.



## Upper PCIe fan

### Prerequisite

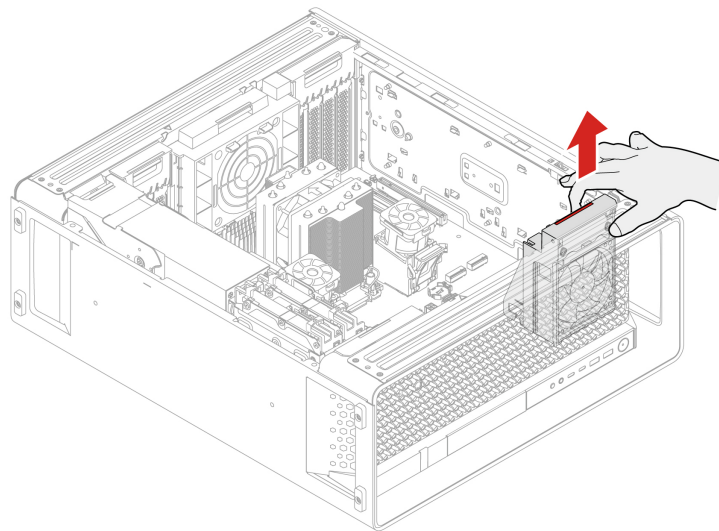
Before you start, read *Generic Safety and Compliance Notices*, and print the following instructions.

For access, do the following:

1. Remove the side cover. See “Side cover” on page 32.
2. Remove the optional internal storage drive cage. See “Optional internal storage drive cage” on page 43.
3. Remove the CPU duct. See “CPU duct” on page 34.
4. Remove the front fan. See “Front fan” on page 35.
5. Disconnect the cable from the upper PCIe fan.
6. Detach cables from the cable clip on the fan bracket.

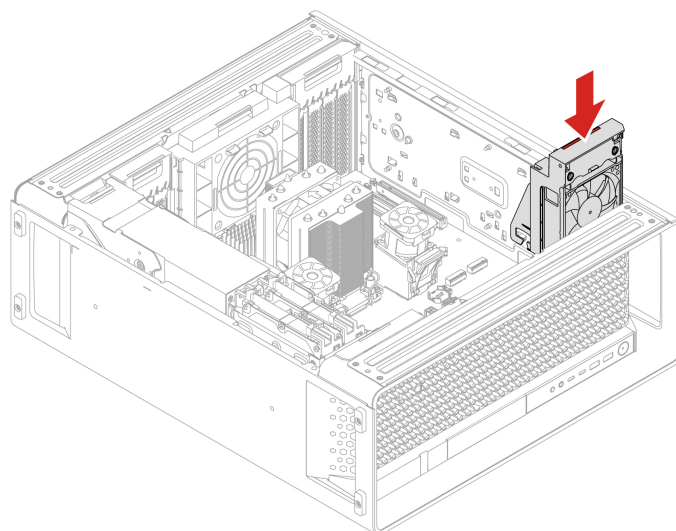
### Removal steps

Remove the fan.



### Installation steps

Install the fan.



## Lower PCIe fan and hard disk drive fan

### Prerequisite

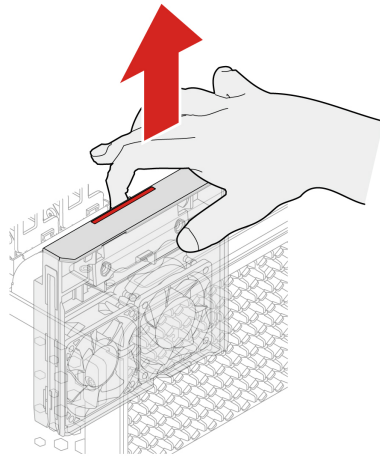
Before you start, read *Generic Safety and Compliance Notices*, and print the following instructions.

For access, do the following:

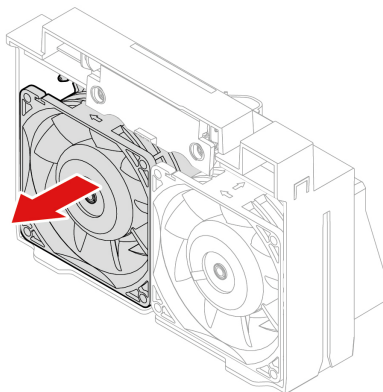
1. Remove the side cover. See “Side cover” on page 32.
2. Remove the optional internal storage drive cage. See “Optional internal storage drive cage” on page 43.
3. Remove the CPU duct. See “CPU duct” on page 34.
4. Remove the front fan. See “Front fan” on page 35.
5. Disconnect the cable from the hard disk drive and lower PCIe fan.

### Removal steps

1. Remove the lower PCIe fan.



2. Remove the hard disk drive fan.



## Flex bay fan

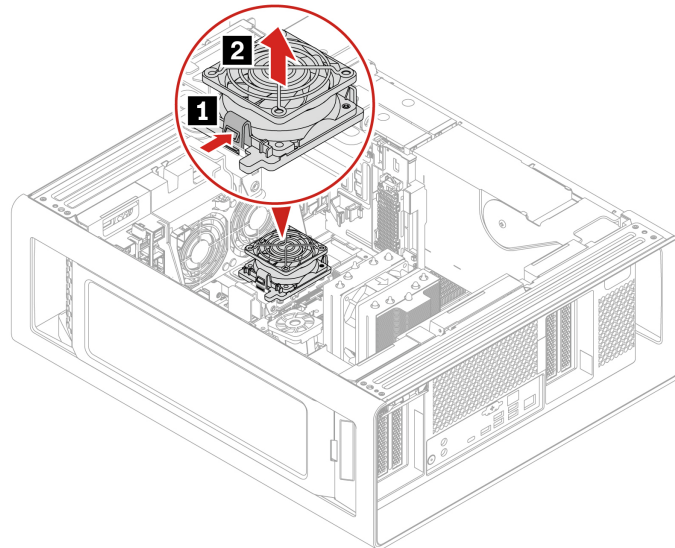
### Prerequisite

Before you start, read *Generic Safety and Compliance Notices*, and print the following instructions.

1. Remove the side cover. See “Side cover” on page 32.
2. Disconnect the cable from the fan.

### Removal steps

Remove the flex bay fan.



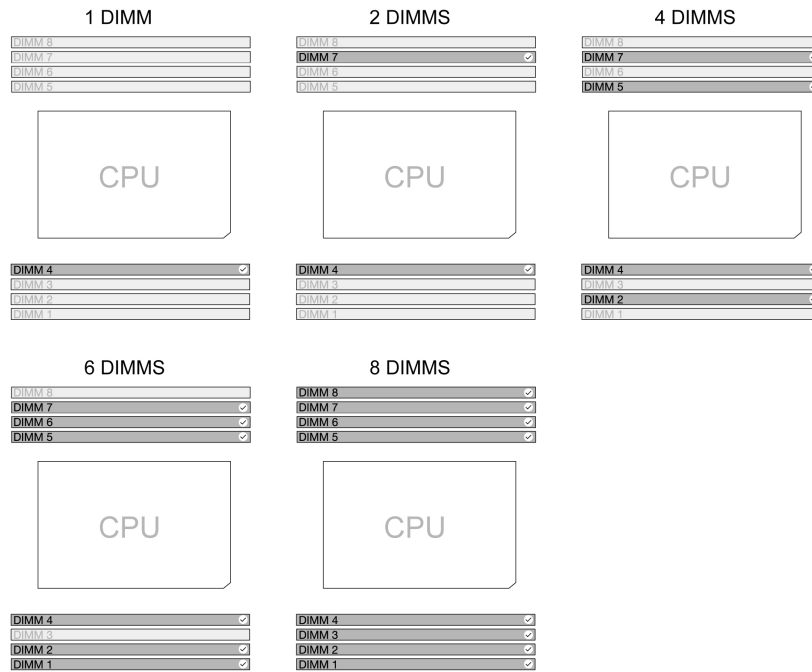
## Memory fan kit

### Prerequisite

Before you start, read *Generic Safety and Compliance Notices*, and print the following instructions.

### Notes:

1. To remove or install the memory module, wait at least 20 seconds after disconnecting power cords from the system. It allows the system to be completely discharged of electricity.
2. Ensure that you follow the installation order for memory modules shown in the following illustration.

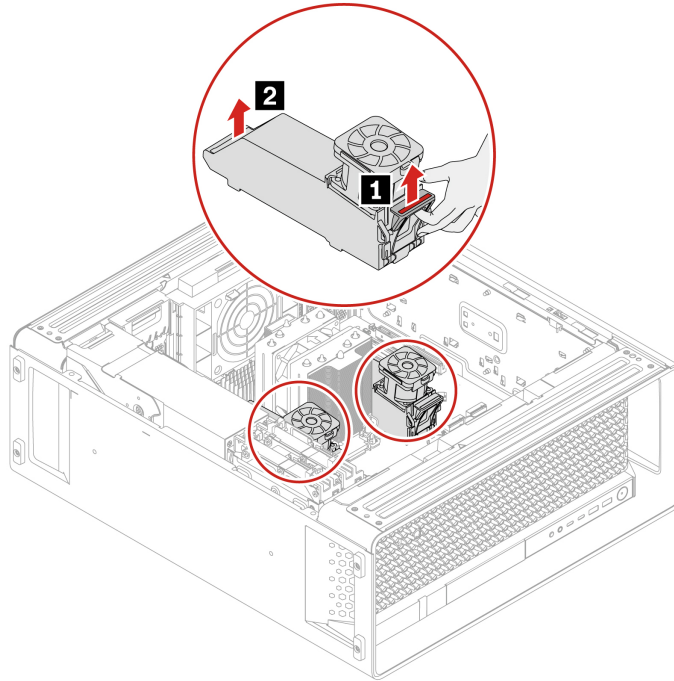


For access, remove the following parts in order:

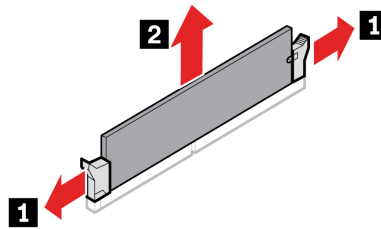
1. Remove the side cover. See “Side cover” on page 32.
2. Remove the optional internal storage drive cage. See “Optional internal storage drive cage” on page 43.
3. Remove the CPU duct. See “CPU duct” on page 34.
4. Disconnect the cable from the memory heat sink.

### Removal steps

1. Remove the memory fan duct.

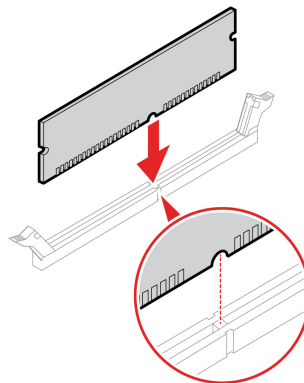


2. Remove the memory module.

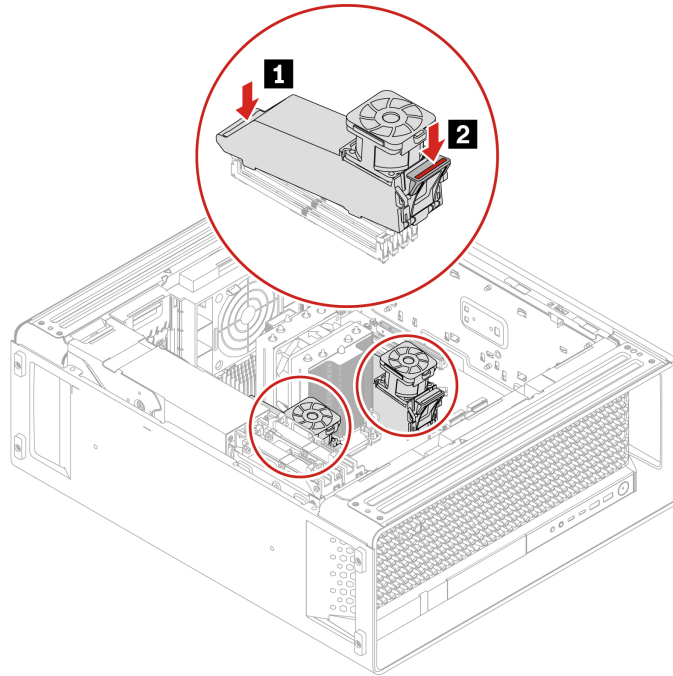


### Installation steps

1. Install the memory module.



2. Install the memory fan duct.



---

## Storage drives

By reading this section, you will learn to replace storage drives in your computer.

### Optional internal storage drive cage

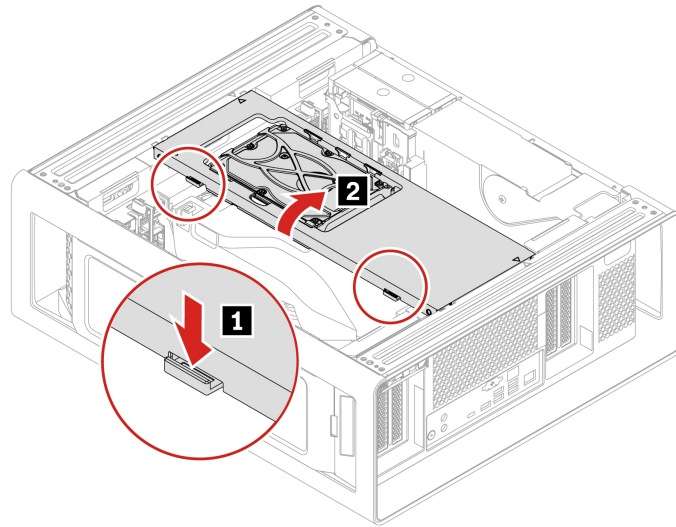
#### Prerequisite

Before you start, read *Generic Safety and Compliance Notices*, and print the following instructions.

For access, remove the side cover. See “Side cover” on page 32.

#### Removal steps

Remove the optional internal storage drive cage.



## Hard disk drive in the optional internal storage drive cage

### Prerequisite

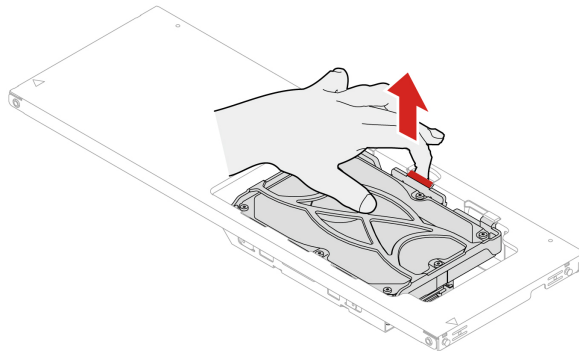
Before you start, read *Generic Safety and Compliance Notices*, and print the following instructions.

For access, do the following:

1. Remove the side cover. See “Side cover” on page 32.
2. Remove the optional internal storage drive cage. See “Optional internal storage drive cage” on page 43.

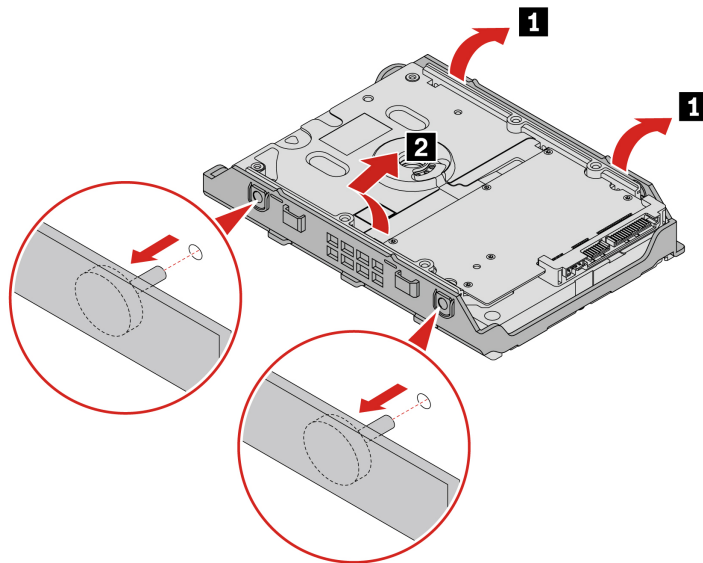
### Removal steps

1. Remove the hard disk drive from the optional internal storage drive cage.



2. Disconnect the cable from the hard disk drive. Then, remove the bracket.





## Hard disk drive in the internal storage drive bay

### Prerequisite

Before you start, read *Generic Safety and Compliance Notices*, and print the following instructions.

**Attention:** The internal storage drive is sensitive. Inappropriate handling might cause damage and permanent loss of data. When handling the internal storage drive, observe the following guidelines:

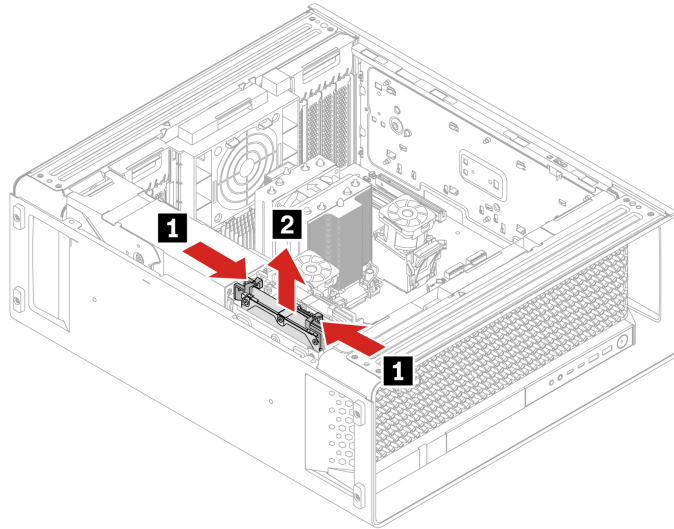
- Replace the internal storage drive only for repair. The internal storage drive is not designed for frequent changes or replacement.
- Before replacing the internal storage drive, make backup copy of all the data that you want to keep.
- Do not touch the contact edge of the internal storage drive. Otherwise, the internal storage drive might get damaged.
- Do not apply pressure to the internal storage drive.
- Do not make the internal storage drive subject to physical shocks or vibration. Put the internal storage drive on soft material, such as a cloth, to absorb physical shocks.

For access, do the following:

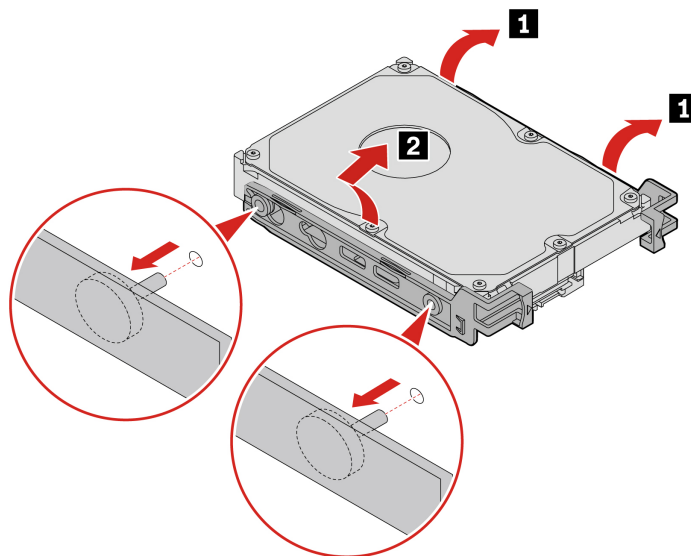
1. Remove the side cover. See “Side cover” on page 32.
2. Disconnect the cable from the hard disk drive.

### Removal steps

1. Remove the 3.5-inch primary hard disk drive cage.



2. Remove the 3.5-inch primary hard disk drive.



## Solid-state drive bracket in internal storage drive bay

### Prerequisite

Before you start, read *Generic Safety and Compliance Notices*, and print the following instructions.

**Attention:** The internal storage drive is sensitive. Inappropriate handling might cause damage and permanent loss of data. When handling the internal storage drive, observe the following guidelines:

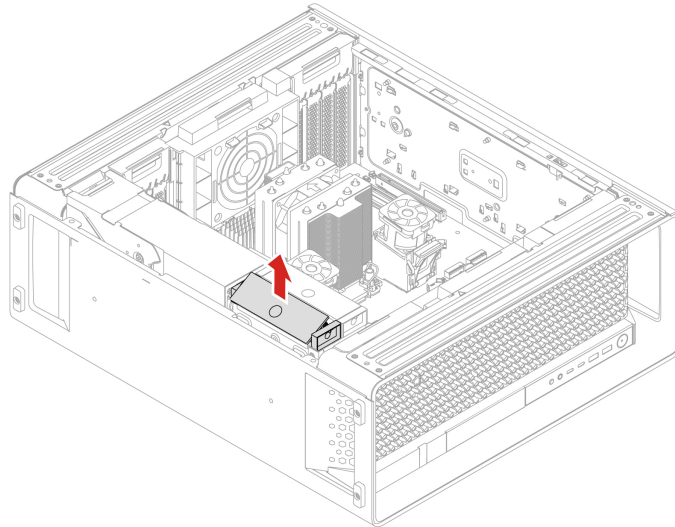
- Replace the internal storage drive only for repair. The internal storage drive is not designed for frequent changes or replacement.
- Before replacing the internal storage drive, make a backup copy of all the data that you want to keep.
- Do not touch the contact edge of the internal storage drive. Otherwise, the internal storage drive might get damaged.

- Do not apply pressure to the internal storage drive.
- Do not make the internal storage drive subject to physical shocks or vibration. Put the internal storage drive on a soft material, such as cloth, to absorb physical shocks.

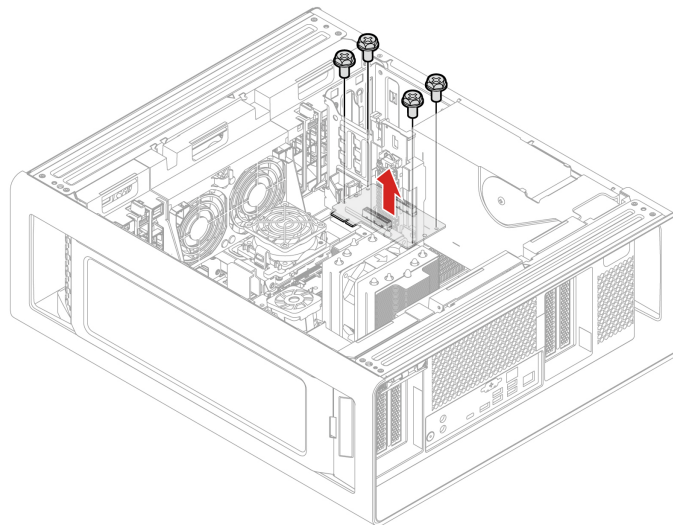
For access, remove the side cover. See “Side cover” on page 32.

### Removal steps

1. Remove the M.2 solid-state drive tray.



2. Remove the BCB board.



Screw (quantity)	Color	Torque
M3 x 5 mm, NI coated (4)	Black	5.0 ± 0.5 lb/in

## On-board vertical M.2 solid-state drive module

### Prerequisite

Before you start, read *Generic Safety and Compliance Notices*, and print the following instructions.



Before you open the computer cover, turn off the computer and wait several minutes until the computer is cool.

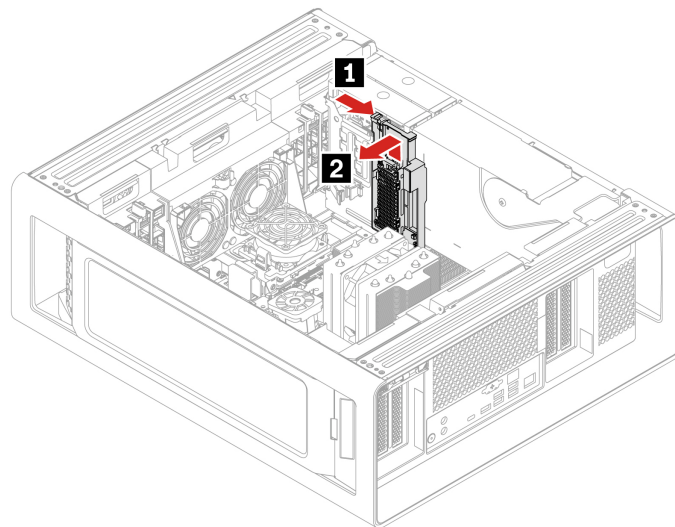
**Attention:** The internal storage drive is sensitive. Inappropriate handling might cause damage and permanent loss of data. When handling the internal storage drive, observe the following guidelines:

- Replace the internal storage drive only for repair. The internal storage drive is not designed for frequent changes or replacement.
- Before replacing the internal storage drive, make a backup copy of all the data that you want to keep.
- Do not touch the contact edge of the internal storage drive. Otherwise, the internal storage drive might get damaged.
- Do not apply pressure to the internal storage drive.
- Do not make the internal storage drive subject to physical shocks or vibration. Put the internal storage drive on a soft material, such as cloth, to absorb physical shocks.

For access, remove the side cover. See “Side cover” on page 32.

### Removal steps

Remove the M.2 solid-state drive with its bracket.



## On-board horizontal M.2 solid-state drive

### Prerequisite

Before you start, read *Generic Safety and Compliance Notices*, and print the following instructions.

**Attention:** The internal storage drive is sensitive. Inappropriate handling might cause damage and permanent loss of data. When handling the internal storage drive, observe the following guidelines:

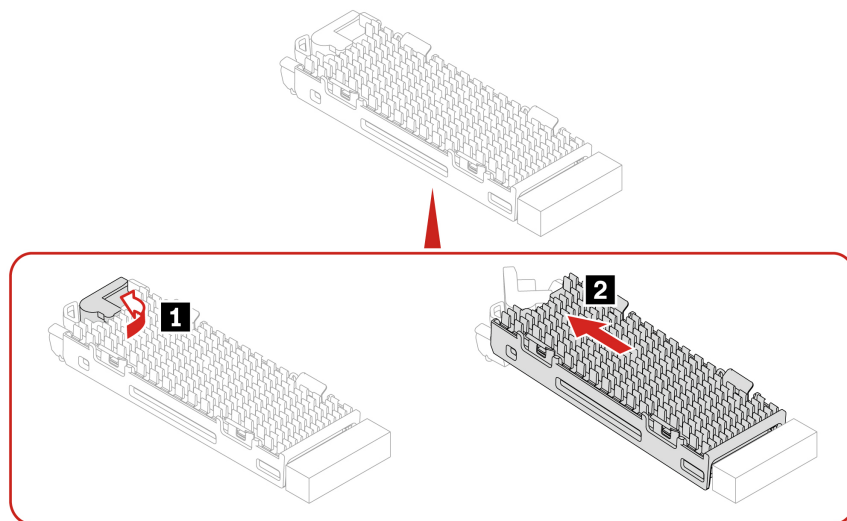
- Replace the internal storage drive only for repair. The internal storage drive is not designed for frequent changes or replacement.
- Before replacing the internal storage drive, make a backup copy of all the data that you want to keep.
- Do not touch the contact edge of the internal storage drive. Otherwise, the internal storage drive might get damaged.
- Do not apply pressure to the internal storage drive.
- Do not make the internal storage drive subject to physical shocks or vibration. Put the internal storage drive on a soft material, such as cloth, to absorb physical shocks.

For access, do the following:

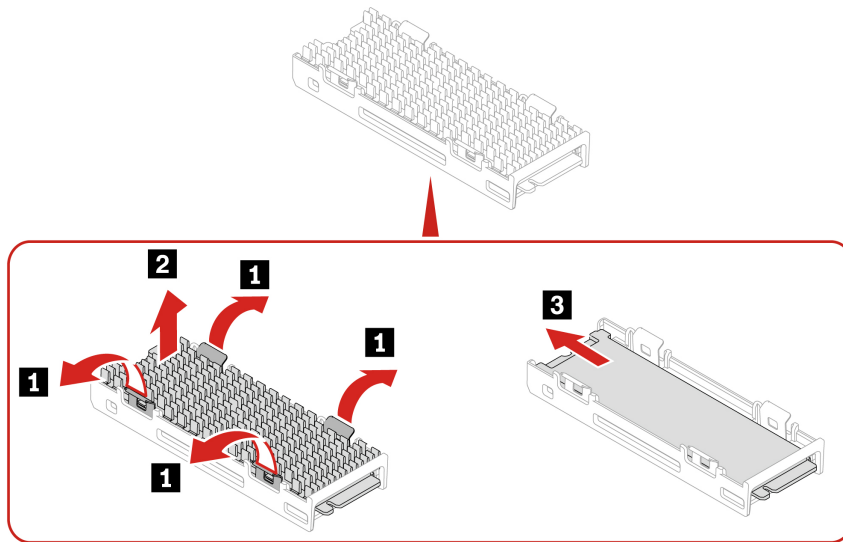
1. Remove the side cover. See “Side cover” on page 32.
2. Remove the following solid-state drive module if any:
  - “Solid-state drive bracket in internal storage drive bay” on page 46
  - “On-board vertical M.2 solid-state drive module” on page 48.

### Removal steps

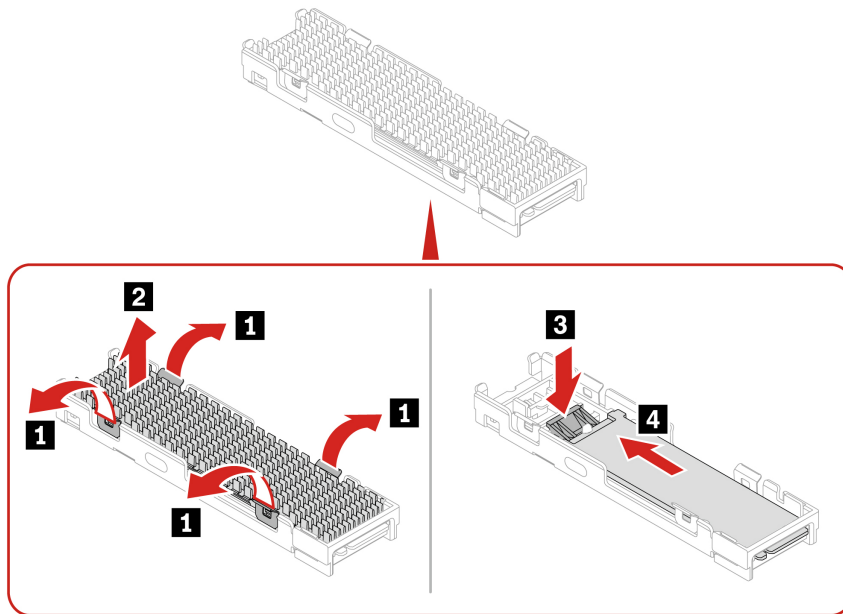
1. Remove the on-board M.2 SSD with its heatsink kit.



2. Remove the M.2 SSD from its heatsink kit.
  - Gen 4 M.2 SSD



- Gen 5 M.2 SSD

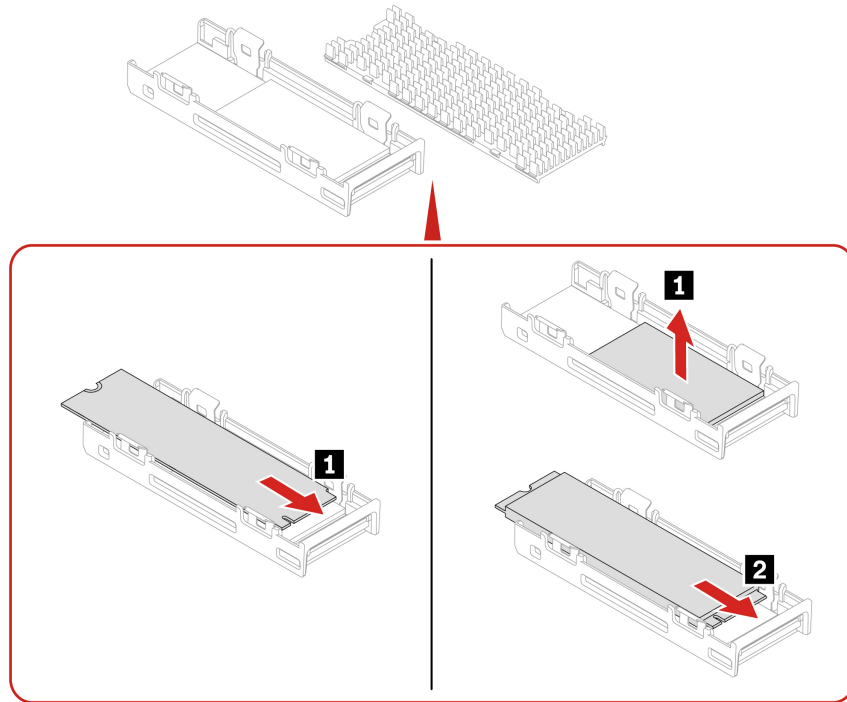


### Installation steps

1. Remove the protective film from both heatsink and thermal pad before installing the on-board M.2 SSD.
2. Install the M.2 SSD into its heatsink kit.

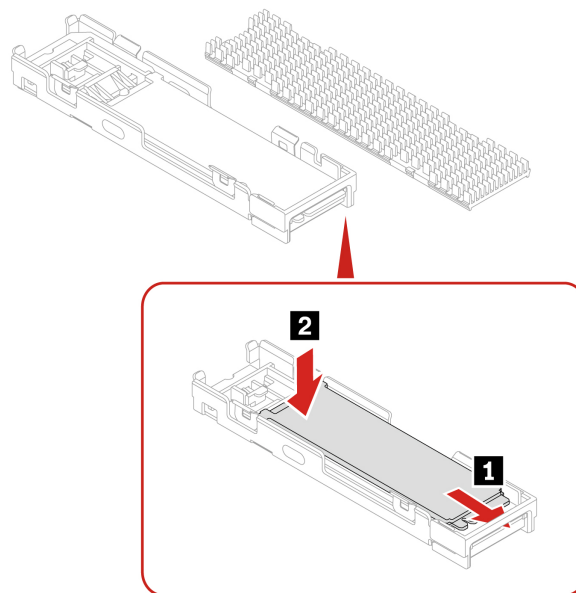
**Note:** For better performance, it's recommended that you install M.2 SSDs of the same generation to the on-board SSD slots.

- Gen 4 M.2 SSD

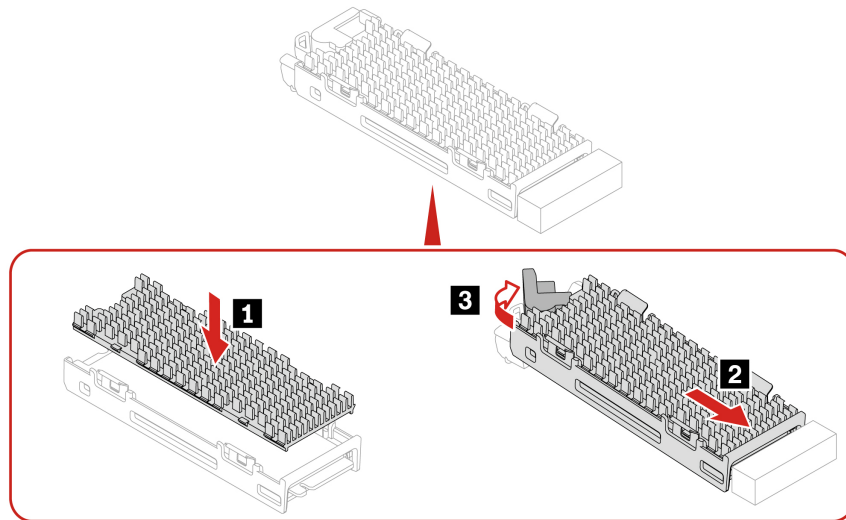


**Note:** If the new Gen 4 M.2 SSD is double-sided, remove the 1.5-mm thick thermal pad upward first.

- Gen 5 M.2 SSD



3. Install the M.2 SSD heatsink.



## M.2 solid-state drive holder

### Prerequisite

Before you start, read *Generic Safety and Compliance Notices*, and print the following instructions.



Before you open the computer cover, turn off the computer and wait several minutes until the computer is cool.

**Attention:** The internal storage drive is sensitive. Inappropriate handling might cause damage and permanent loss of data. When handling the internal storage drive, observe the following guidelines:

- Replace the internal storage drive only for repair. The internal storage drive is not designed for frequent changes or replacement.
- Before replacing the internal storage drive, make a backup copy of all the data that you want to keep.
- Do not touch the contact edge of the internal storage drive. Otherwise, the internal storage drive might get damaged.
- Do not apply pressure to the internal storage drive.
- Do not make the internal storage drive subject to physical shocks or vibration. Put the internal storage drive on a soft material, such as cloth, to absorb physical shocks.

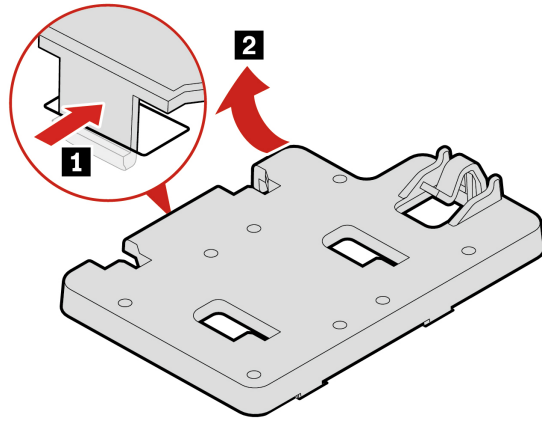
For access, do the following:

1. Remove the side cover. See “Side cover” on page 32.
2. Remove the following solid-state drive module if any:
  - “Solid-state drive bracket in internal storage drive bay” on page 46
  - “On-board vertical M.2 solid-state drive module” on page 48.
3. Remove the M.2 solid-state drive. See “On-board horizontal M.2 solid-state drive” on page 48.

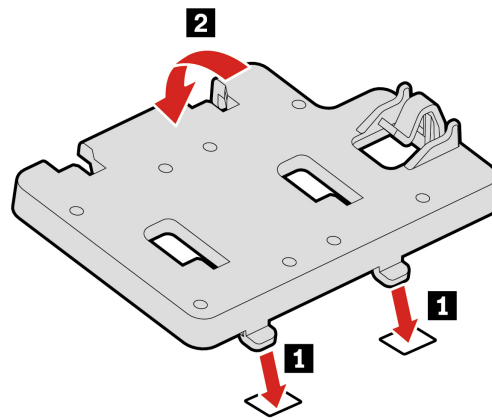
### Replacement steps for Type 1 M.2 solid-state drive holder

Remove the M.2 solid-state drive holder.



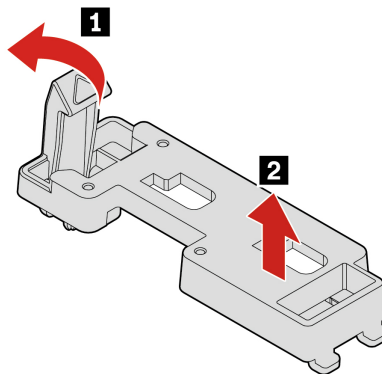


Install the M.2 solid-state drive holder.

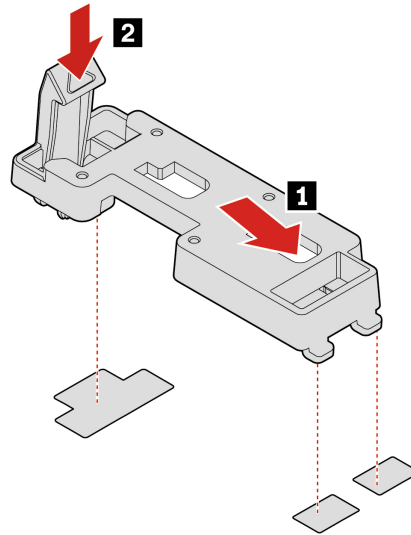


#### Replacement steps for Type 2 M.2 solid-state drive holder

Remove the M.2 solid-state drive holder.



Install the M.2 solid-state drive holder.



## M.2 solid-state drive on an M.2 solid-state drive PCIe adapter

### Prerequisite

Before you start, read *Generic Safety and Compliance Notices*, and print the following instructions.

**Attention:** The internal storage drive is sensitive. Inappropriate handling might cause damage and permanent loss of data. When handling the internal storage drive, observe the following guidelines:

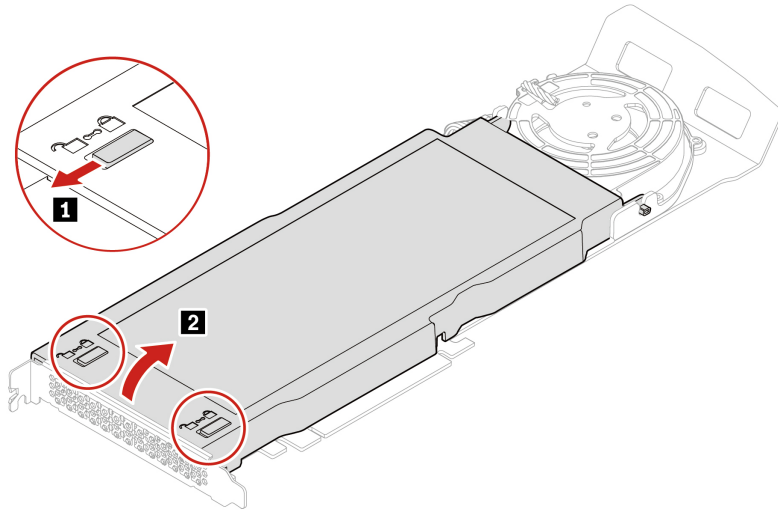
- Replace the internal storage drive only for repair. The internal storage drive is not designed for frequent changes or replacement.
- Before replacing the internal storage drive, make a backup copy of all the data that you want to keep.
- Do not touch the contact edge of the internal storage drive. Otherwise, the internal storage drive might get damaged.
- Do not apply pressure to the internal storage drive.
- Do not make the internal storage drive subject to physical shocks or vibration. Put the internal storage drive on a soft material, such as cloth, to absorb physical shocks.
- Ensure that the generation of M.2 SSD matches with the generation of M.2 SSD PCIe adapter. For example, install Gen 4 M.2 SSD on Gen 4 M.2 SSD PCIe adapter and install Gen 5 M.2 SSD on Gen 5 M.2 SSD PCIe adapter.

For access, do the following:

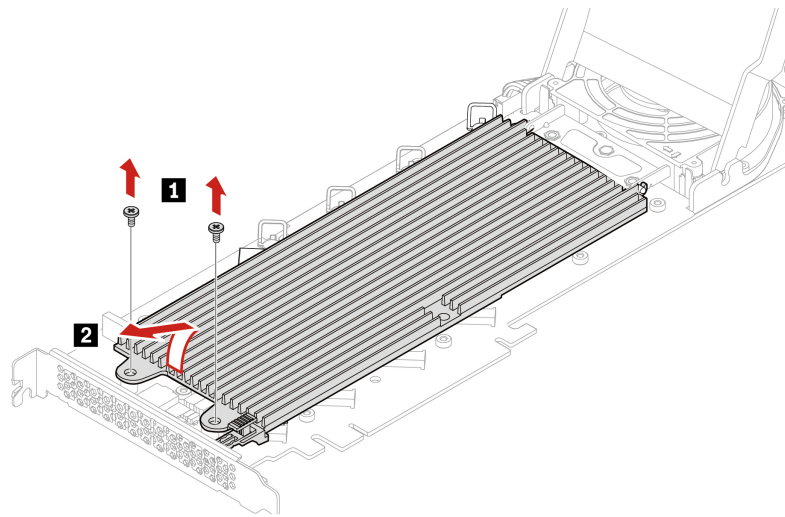
1. Remove the side cover. See “Side cover” on page 32.
2. Remove the PCI-Express card bracket if needed. See “PCI-Express card bracket” on page 70.
3. Remove the M.2 solid-state drive PCIe adapter from the PCIe card slot. See “PCIe card and extender” on page 71.

### Removal steps of M.2 SSD on type 1 M.2 SSD PCIe adapter

1. Open the cover.

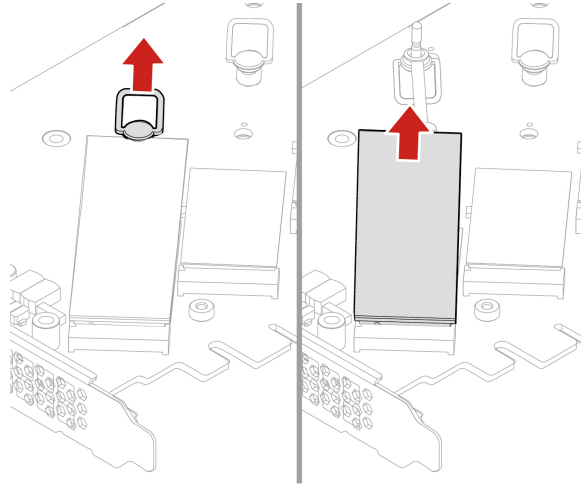


2. Remove the M.2 SSD heat sink.



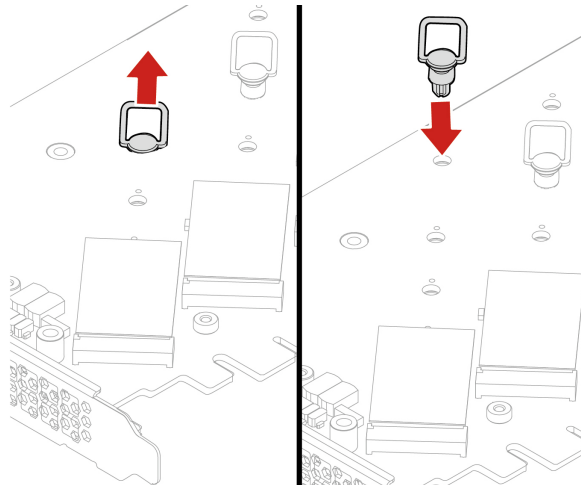
Screw (quantity)	Color	Torque
M3_H5 Zn coated (2)	Black	3.0 ± 0.2 lb/in

3. Pull the handle of the retention latch outward to release the M.2 SSD. Then, remove the M.2 SSD from the PCIe adapter.

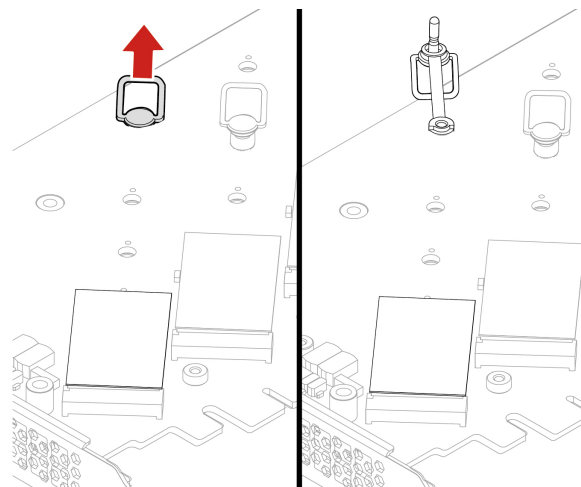


### Installation steps of M.2 SSD on type 1 M.2 SSD PCIe adapter

1. If necessary, move the retention latch to an appropriate location to suit the length of the new M.2 SSD.

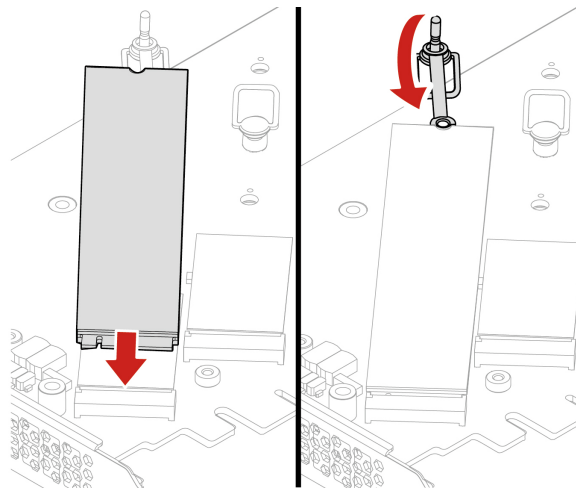
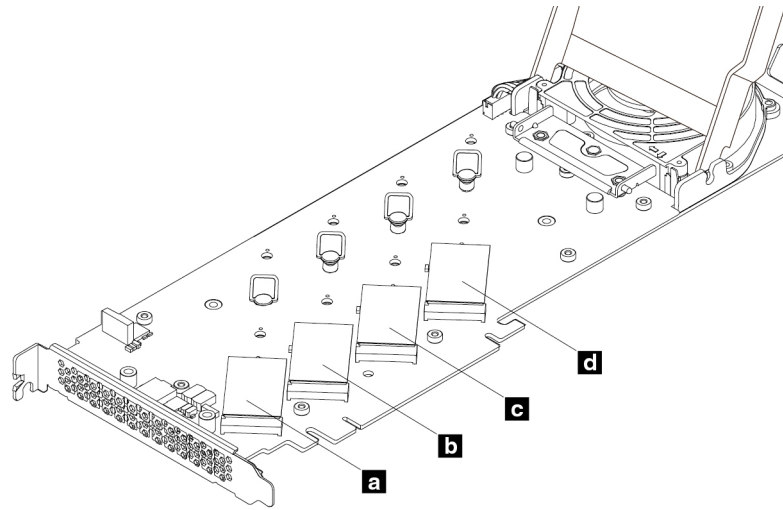


Remove the film on the thermal pad on which you want to install the M.2 SSD. Pull the handle of the retention latch outward to the open position.

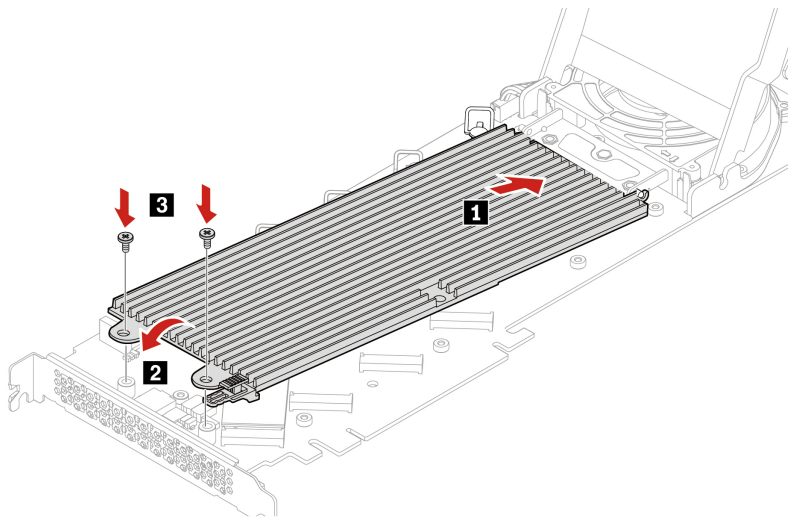


2. Install the M.2 SSD. Then, insert the plug of the retention latch into the hole to secure the new drive. Do not touch the circuit board of the M.2 SSD.

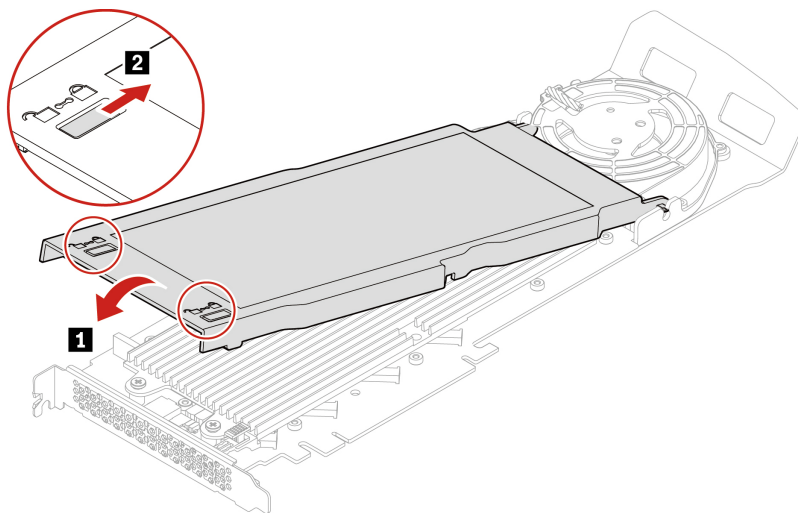
**Note:** Install M.2 SSD in the alphabetic order as shown.



3. Install the M.2 SSD heat sink.



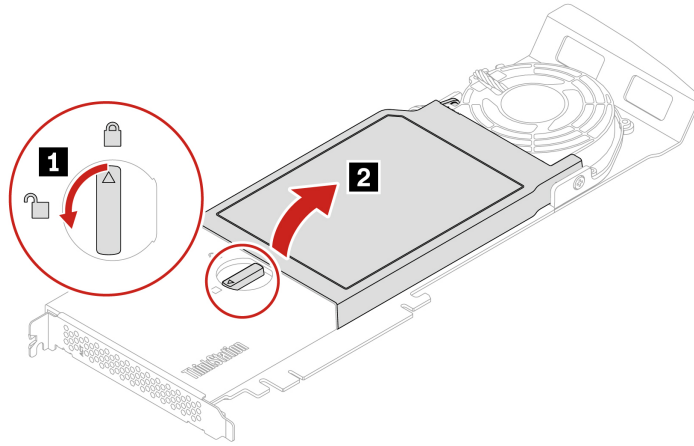
4. Close the cover and lock it.



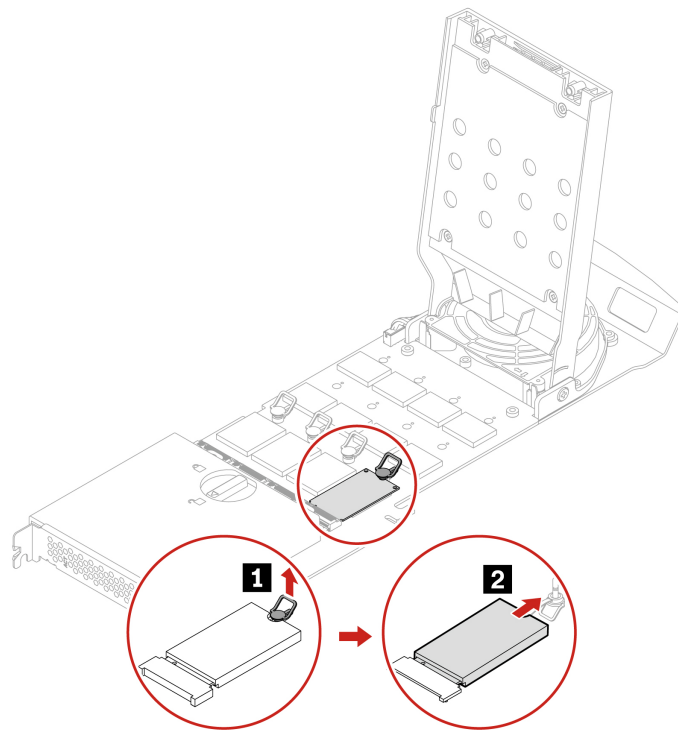
**Note:** Install the M.2 SSD PCIe adapter in a PCIe x16 card slot on the system board. See “PCIe card installation rule” on page 74.

#### Removal steps of M.2 SSD on type 2 M.2 SSD PCIe adapter

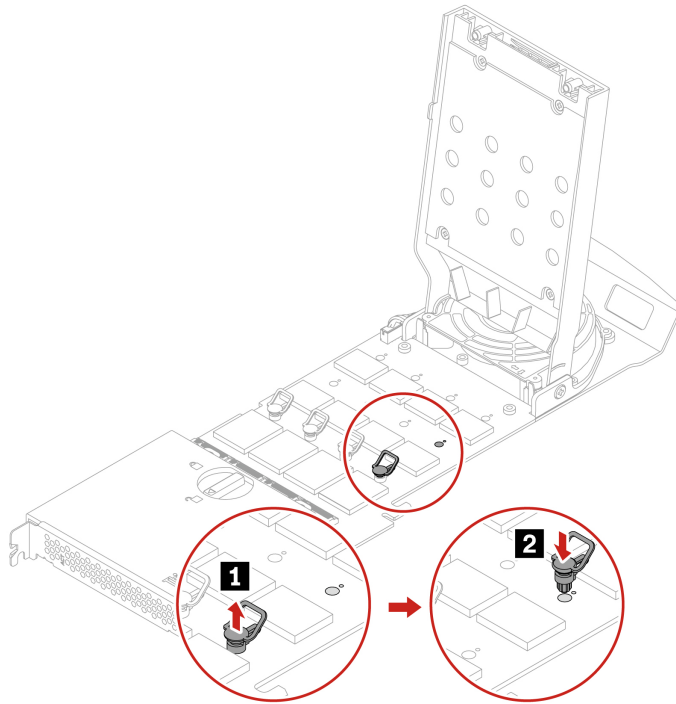
1. Rotate the lock to the open position to open the cover.



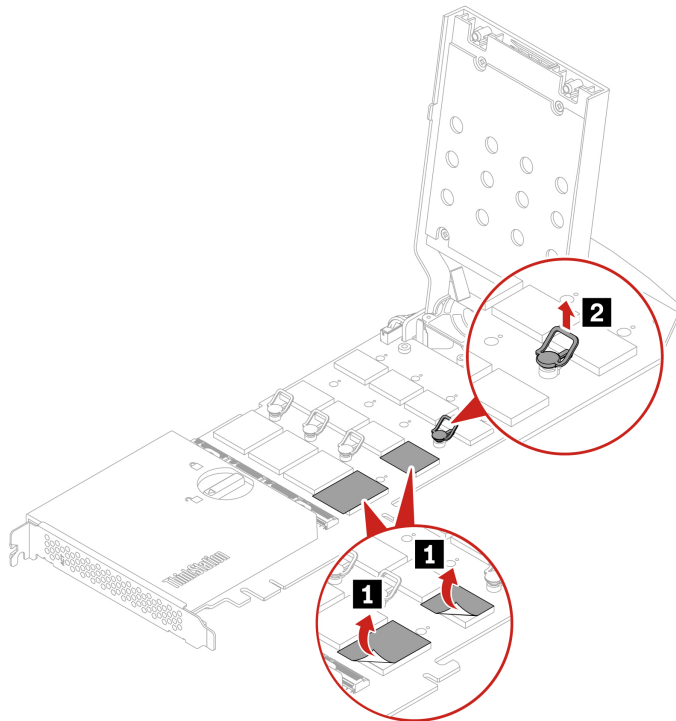
2. Pull the handle of the retention latch outward to release the M.2 solid-state drive. Then, remove the M.2 solid-state drive from the PCIe adapter.



If necessary, move the retention latch to an appropriate location to suit the length of the new M.2 solid-state drive.



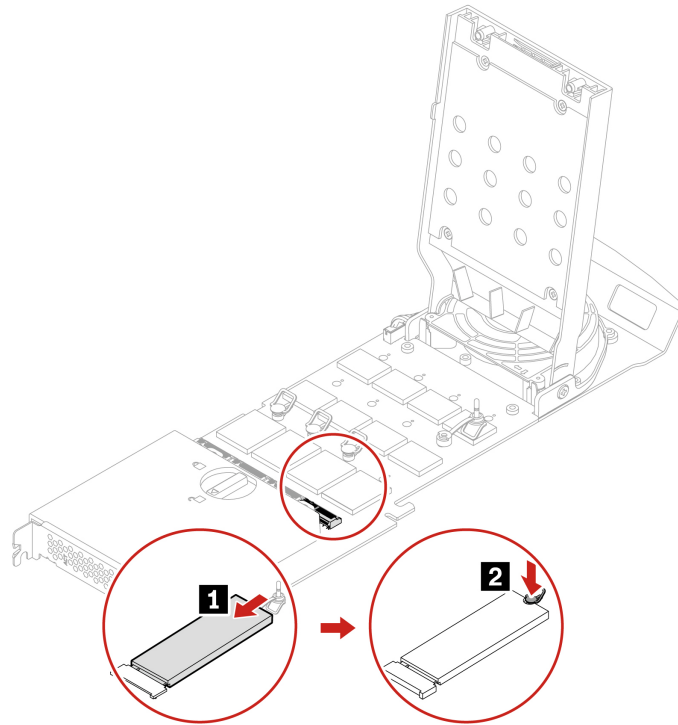
3. Remove the film on the thermal pad on which you want to install the M.2 solid-state drive. Pull the handle of the retention latch outward to the open position.



**Installation steps of M.2 SSD on type 2 M.2 SSD PCIe adapter**

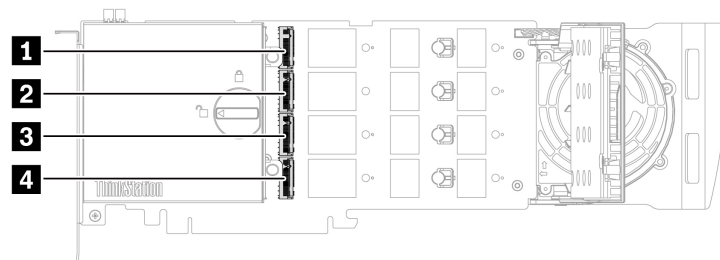
1. Install the M.2 solid-state drive. Then, insert the plug of the retention latch into the hole to secure the new drive. Do not touch the circuit board of the M.2 solid-state drive.



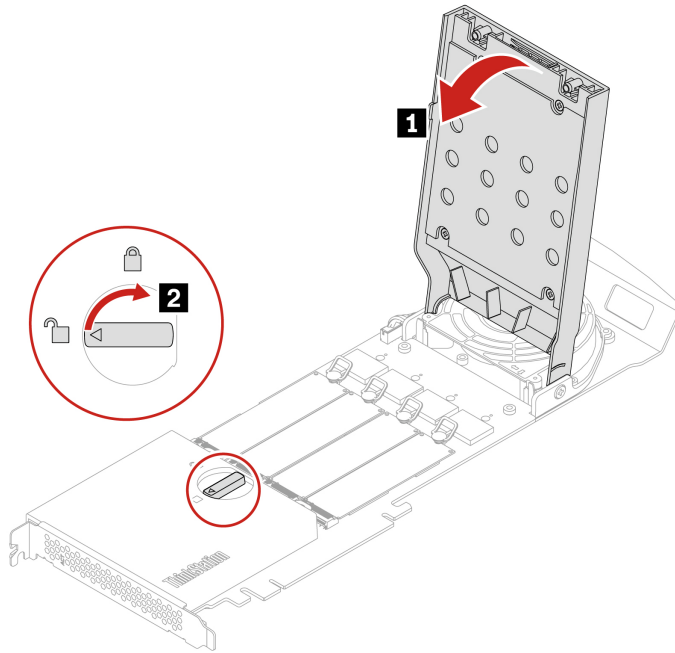


**Notes:**

- Install M.2 solid-state drives in the following order as shown:



- For better performance, it's recommended that the generation of M.2 SSD match with the generation of M.2 SSD PCIe adapter. For example, install Gen 4 M.2 SSD on Gen 4 M.2 SSD PCIe adapter and install Gen 5 M.2 SSD on Gen 5 M.2 SSD PCIe adapter.
2. Rotate the lock to the close position to close the cover.



**Note:** Install the M.2 solid-state drive PCIe adapter in a PCIe x16 card slot. See “PCIe card installation rule” on page 74.

## Flex module

### Prerequisite

Before you start, read *Generic Safety and Compliance Notices*, and print the following instructions.

**Attention:** The storage drive is sensitive. Inappropriate handling might cause damage and permanent loss of data. When handling the storage drive, observe the following guidelines:

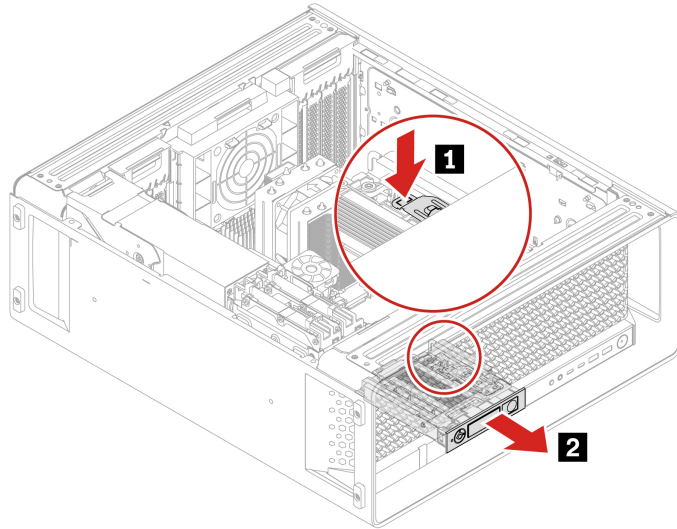
- Replace the storage drive only for repair. The storage drive is not designed for frequent changes or replacement.
- Before replacing the storage drive, make a backup copy of all the data that you want to keep.
- Do not touch the contact edge of the storage drive. Otherwise, the storage drive might get damaged.
- Do not apply pressure to the storage drive.
- Do not make the storage drive subject to physical shocks or vibration. Put the storage drive on a soft material, such as cloth, to absorb physical shocks.

For access, do the following:

1. Remove the side cover. See “Side cover” on page 32.
2. Remove the optional internal storage drive cage. See “Optional internal storage drive cage” on page 43.
3. Remove the CPU duct. See “CPU duct” on page 34.
4. Remove the front fan. See “Front fan” on page 35.

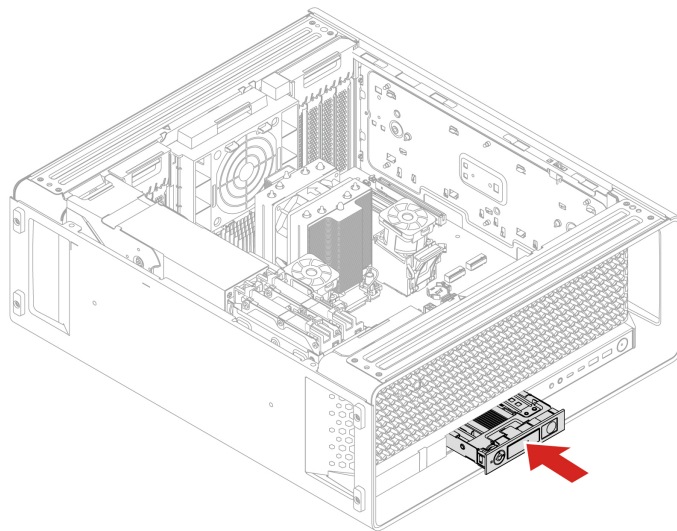
### Removal steps

Remove the flex module.



### Installation steps

Install the flex module.



### Storage box in flex module

Before you start, read *Generic Safety and Compliance Notices*, and print the following instructions.

**Attention:** The internal storage drive is sensitive. Inappropriate handling might cause damage and permanent loss of data. When handling the internal storage drive, observe the following guidelines:

- Replace the internal storage drive only for repair. The internal storage drive is not designed for frequent changes or replacement.
- Before replacing the internal storage drive, make a backup copy of all the data that you want to keep.
- Do not touch the contact edge of the internal storage drive. Otherwise, the internal storage drive might get damaged.
- Do not apply pressure to the internal storage drive.

- Do not make the internal storage drive subject to physical shocks or vibration. Put the internal storage drive on a soft material, such as cloth, to absorb physical shocks.

You can install or replace a storage drive with a storage box in the flex module. The storage drive can be hot-swappable, which means that you can install or replace the drive without even turning off your computer. Therefore, lock the storage drive to prevent the unexpected removal. The keys are attached to the rear of the computer. Store the keys in a secure place.

**Attention:** The storage drive in the flex module is hot-swappable under the following conditions:

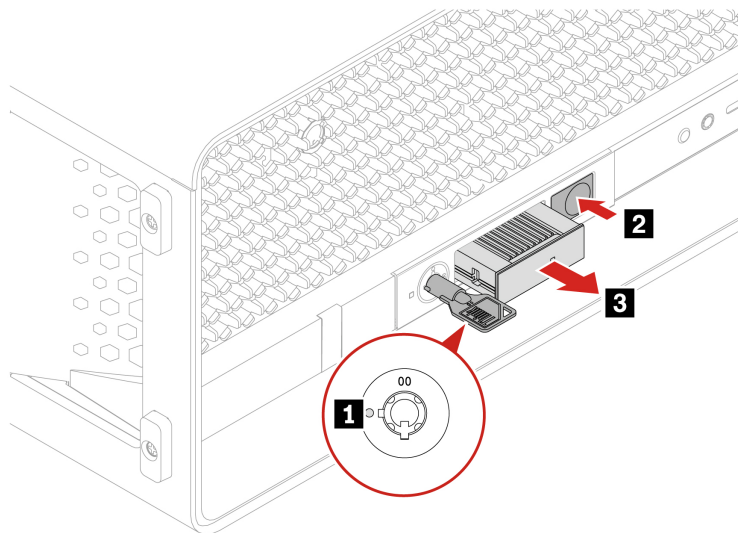
1. When the operating system of your computer does not reside on the storage drive installed in the flex module. If the requirement is not met, do not remove or install the storage drive when the computer is turned on. Otherwise, data on the storage drive might get damaged.
2. When the Intel VMD technology on MCIO slot is enabled. Take the following steps:
  - a. Restart the computer. When the logo screen is displayed, press F1 or Fn+F1 to enter the BIOS menu.
  - b. Click **Devices** → **Storage Setup** → **Intel(R) VMD Technology**.
  - c. Select **VMD** under **MCIO slot** configuration.

For access, do the following:

1. Remove any media from the drives and turn off all connected devices and the computer.
2. Disconnect all power cords from electrical outlets and disconnect all cables from the computer.

### Removal steps

You might need to use the key attached at the rear of the computer to unlock the flex module.



## M.2 solid-state drive in storage box

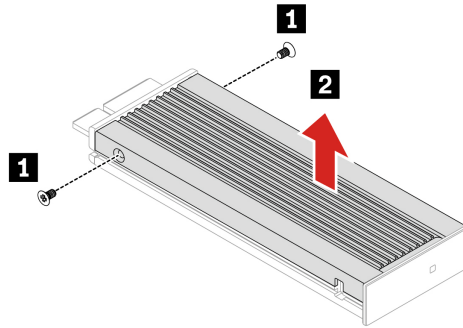
### Prerequisite

Before you start, read *Generic Safety and Compliance Notices*, and print the following instructions.

For access, please remove the flex module. See “Storage box in flex module” on page 63.

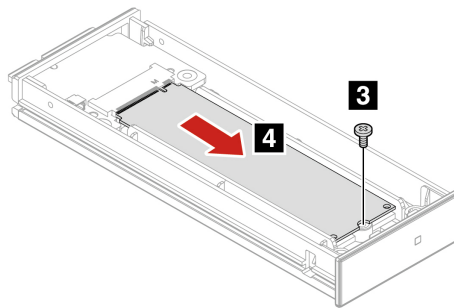
## Removal steps

1. Remove the M.2 solid-state drive from its heatsink kit.



Screw (quantity)	Color	Torque
M2 x 3.6 mm, Zn coated (2)	Blue	1.5± 0.2 lb/in

2. Remove the M.2 solid-state drive.



Screw (quantity)	Color	Torque
M2 x 4.5 mm, Zn coated (1)	Black	1.5± 0.2 lb/in

## 15-in-1 Media card reader

Before you start, read *Generic Safety and Compliance Notices*, and print the following instructions.

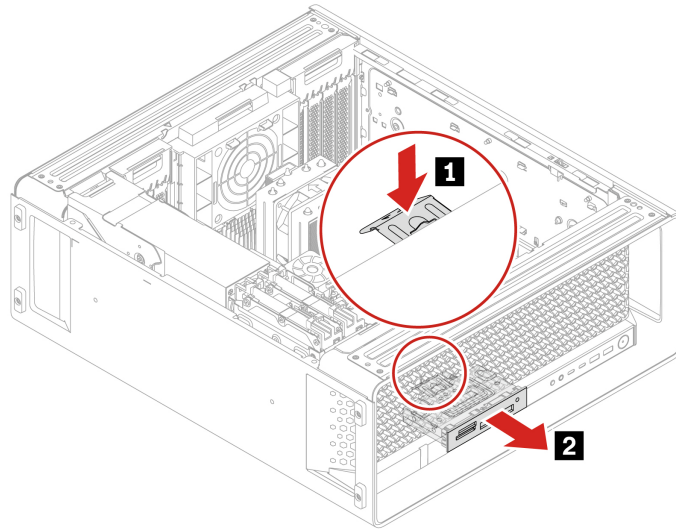
For access, do the following:

1. Remove the side cover. See “Side cover” on page 32.
2. Remove the optional internal storage drive cage. See “Optional internal storage drive cage” on page 43.
3. Remove the CPU duct. See “CPU duct” on page 34.
4. Remove the front fan. See “Front fan” on page 35.

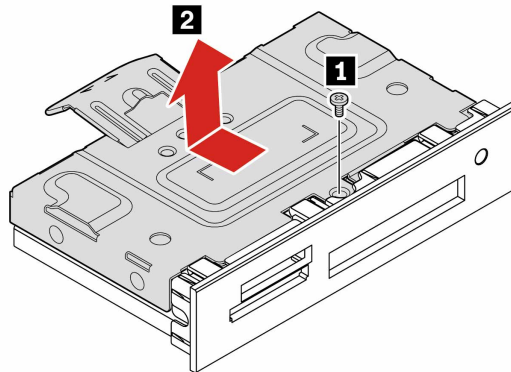
5. Disconnect the cable from the media card reader.

### Removal steps

Remove the media card reader.



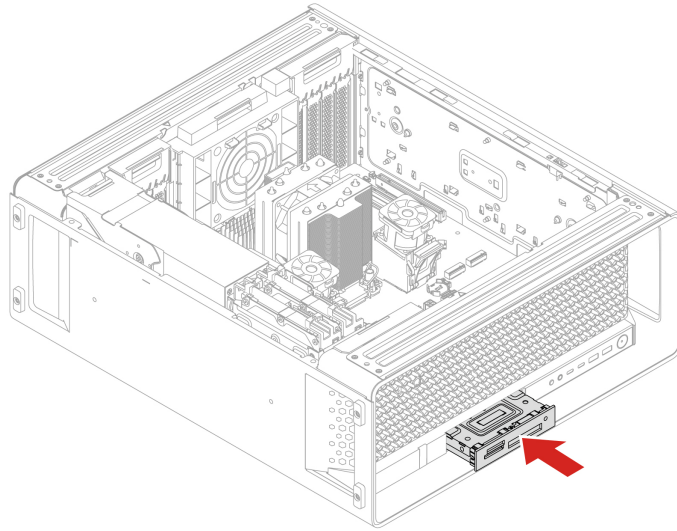
Remove the PCBA of 15-in-1 media card reader.



Screw (quantity)	Color	Torque
M3 x 4 mm, Zn coated (1)	Blue	3.0 ± 0.5 lb/in

### Installation steps

Install the media card reader.



---

## PCIe cards

By reading this section, you will learn to replace PCIe cards, including graphics cards, in your computer.

## NVLINK retainer

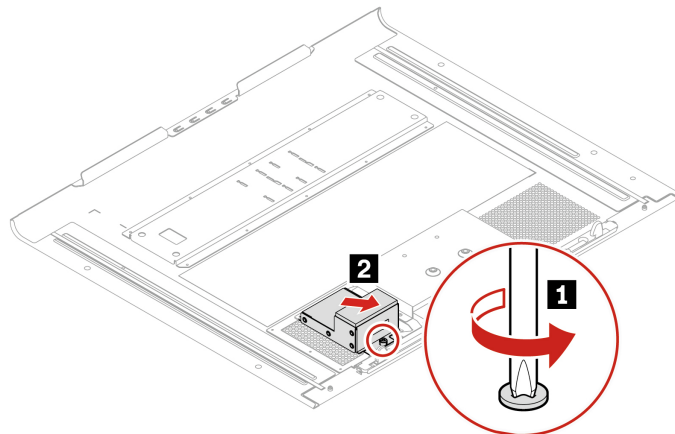
### Prerequisite

Before you start, read *Generic Safety and Compliance Notices*, and print the following instructions.

For access, remove the side cover. See “Side cover” on page 32.

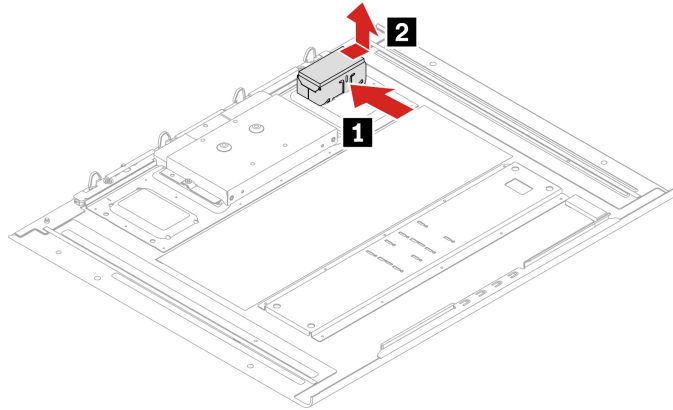
### Removal steps for Type 1 NVLINK retainer

Remove the NVLINK retainer.

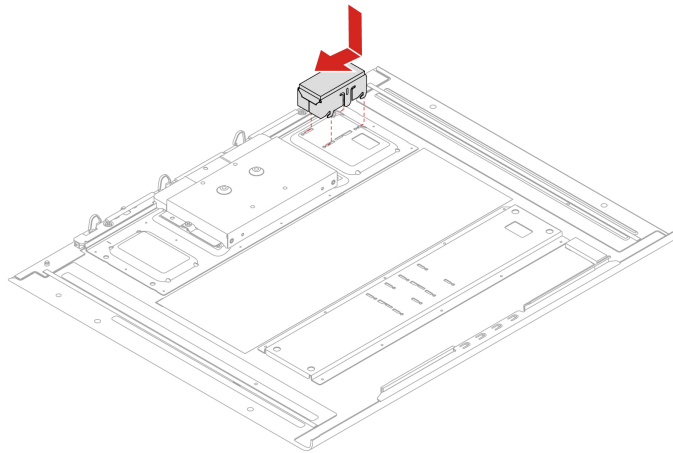


### Replacement steps for Type 2 NVLINK retainer

Remove the NVLINK retainer.



Install the NVLINK retainer.



## NVLINK bridge

### Prerequisite

Before you start, read *Generic Safety and Compliance Notices*, and print the following instructions.

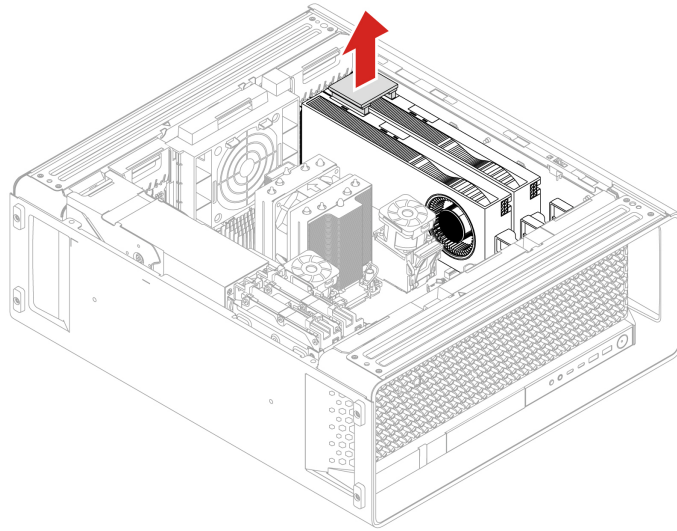
For access, do the following:

1. Remove the side cover. See “Side cover” on page 32.
2. Remove the optional internal storage drive cage. See “Optional internal storage drive cage” on page 43.
3. Remove the CPU duct. See “CPU duct” on page 34.

### Removal steps

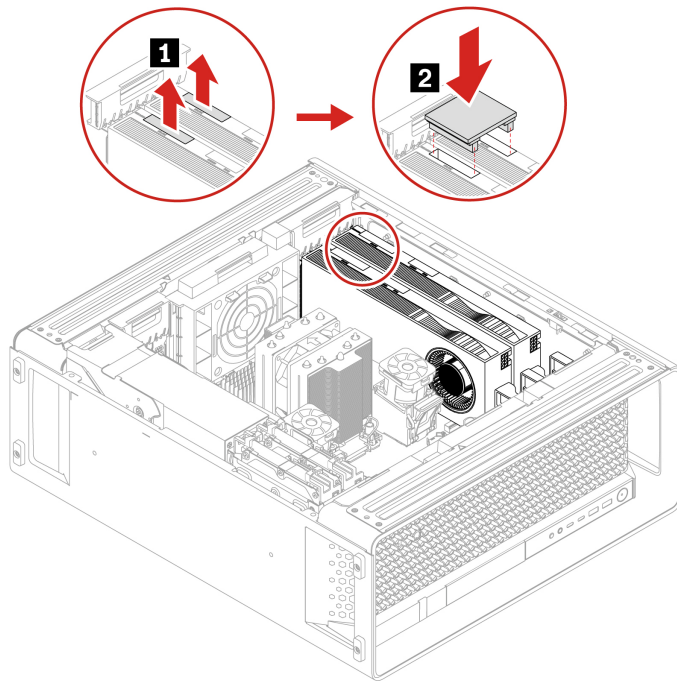
Remove the NVLINK bridge.





### Installation steps

Install the NVLINK bridge.



**Note:** To install NVLINK bridge, make sure you have installed NVLINK retainer.

## Super capacitor module

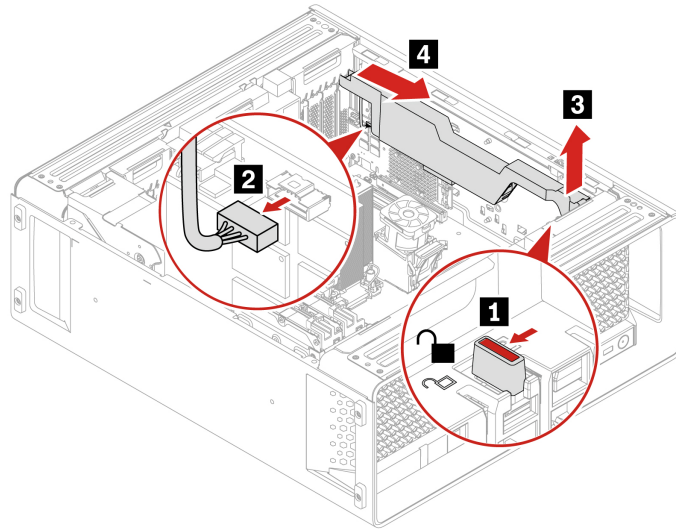
### Prerequisite

Before you start, read *Generic Safety and Compliance Notices*, and print the following instructions.

For access, do the following:

1. Remove the side cover. See “Side cover” on page 32.
2. Remove the optional internal storage drive cage. See “Optional internal storage drive cage” on page 43.
3. Remove the CPU duct. See “CPU duct” on page 34.

### Removal steps



**Note:** When installing a new super capacitor module, connect the super capacitor module cable to the super capacitor module connector (J14) on the RAID card.

## PCIe card bracket

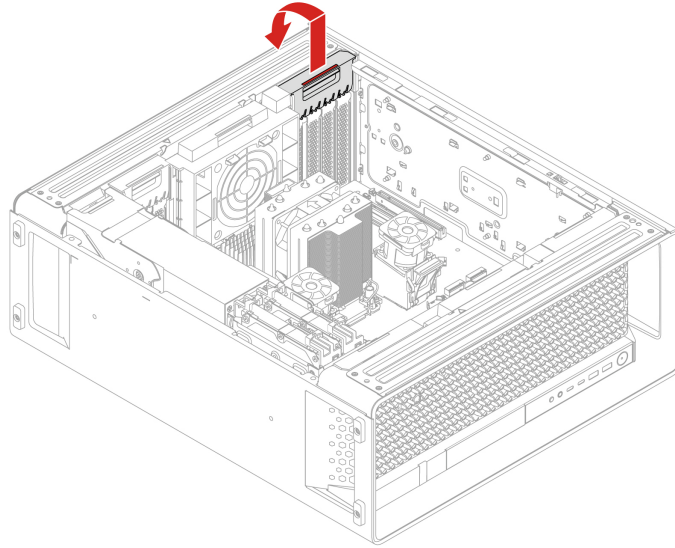
### Prerequisite

Before you start, read *Generic Safety and Compliance Notices*, and print the following instructions.

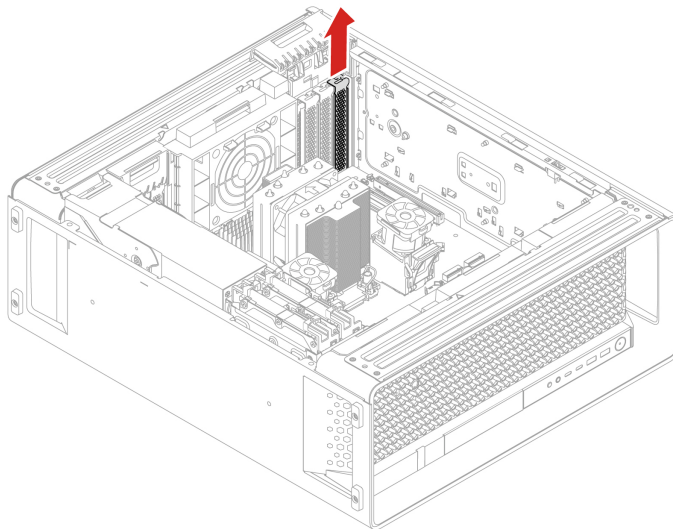
For access, remove the side cover. See “Side cover” on page 32

### Removal steps

1. Open the handle.



2. Remove the PCIe card bracket.



## PCIe card and extender

### Prerequisite

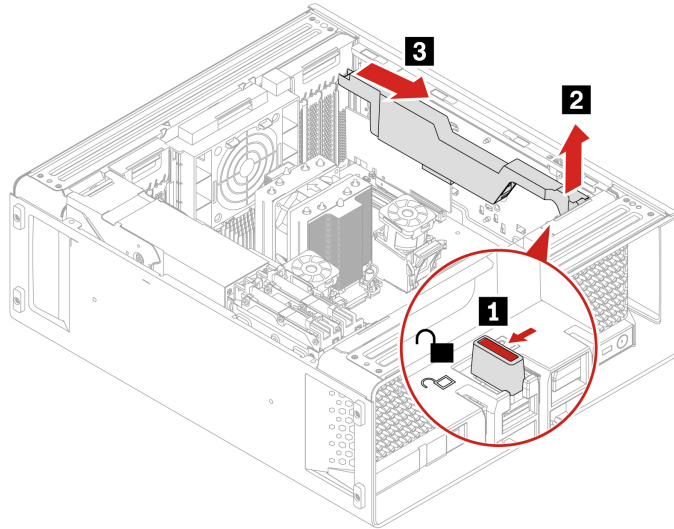
Before you start, read *Generic Safety and Compliance Notices*, and print the following instructions.

For access, do the following:

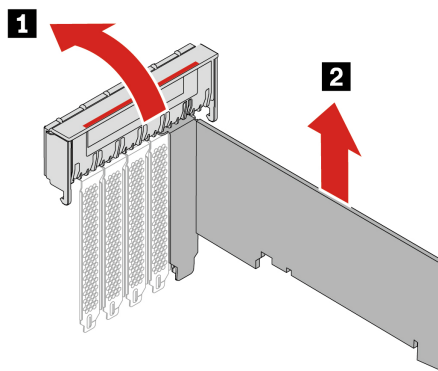
1. Remove the side cover. See “Side cover” on page 32.
2. Remove the PCIe card bracket if needed. See “PCIe card bracket” on page 70.
3. Disconnect the cable from the PCIe card if any.

### Removal steps for half-length PCIe card

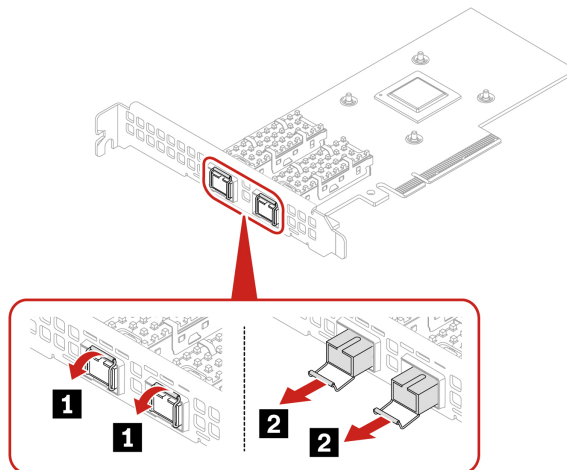
1. Remove the PCIe card retainer. The PCIe card retainer is only available on some PCIe cards.



2. Open the handle and remove the PCIe card. The card might fit tightly into the slot. If necessary, alternately move each side of the card a small amount until the card is removed from the slot.

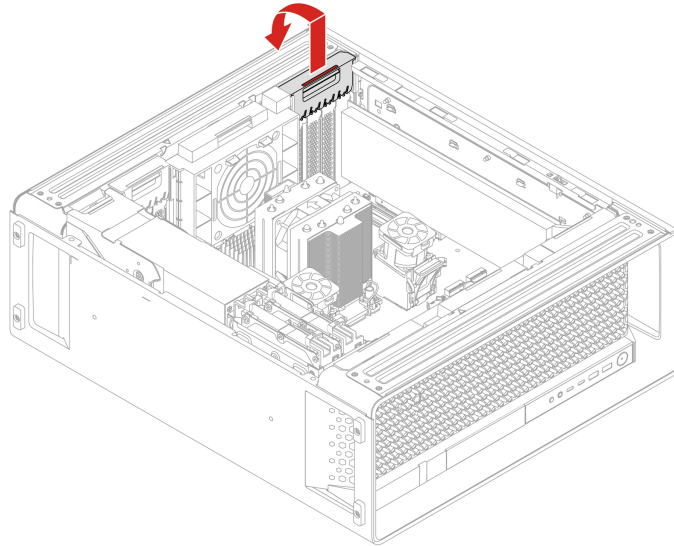


**Note:** For some Ethernet adapter cards, the following fiber modules can be removed.

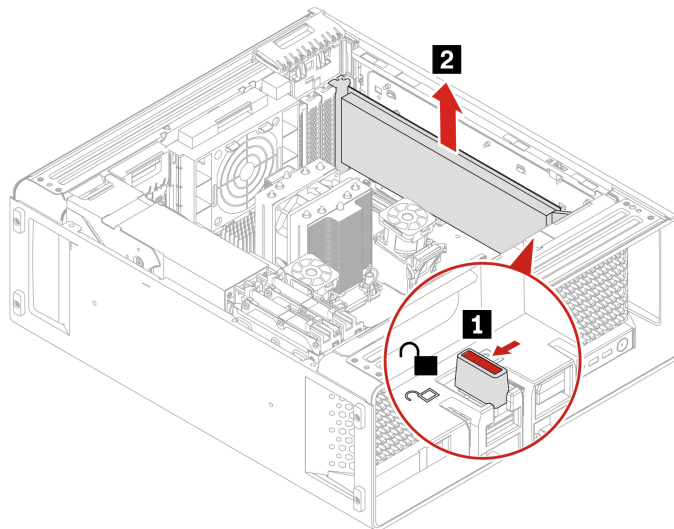


## Removal steps for full-length PCIe card

1. Open the handle.



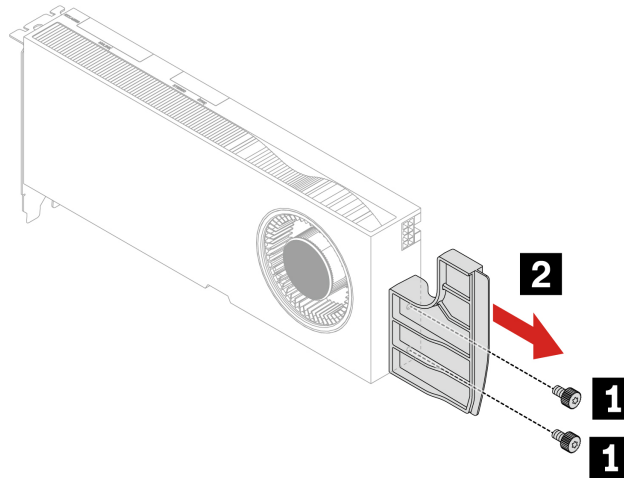
2. Remove the PCIe card. The card might fit tightly into the slot. If necessary, alternately move each side of the card a small amount until the card is removed from the slot.



3. Remove the PCIe card extender if needed.

### Notes:

- For computer models with GFX RTX 4000 Ada, the graphics card and the PCIe card extender work as a CRU assembly. Do not try to remove the extender.
- For computer models with double-width or wider graphics cards (such as NVIDIA RTX 6000 Ada and GeForce RTX 4080), the PCIe card extender is a customized CRU part. You can remove it according to the following illustration.
- If you want to install a double-width or wider graphics card, install the customized PCIe card extender first.



Screw (quantity)	Color	Torque
M3 x 5.5 mm, Nickle coated (2)	Black	3–3.5 lb/in

## PCIe card installation rule

### Installation order

Install PCIe cards according to the order and special rules for certain PCIe cards.

- 

- 3 Slot 1 – Gen5 x16
- 5 Slot 2 – Gen4 x8
- 1 Slot 3 – Gen5 x16
- 6 Slot 4 – Gen4 x4
- 2 Slot 5 – Gen5 x16
- 4 Slot 6 – Gen4 x16
- 7 Slot 7 – Gen5 x4

Figure 1. PCIe card installation order

- **Special installation rules for certain PCIe cards**

PCIe card	Installation rules
For all graphic cards	Ensure that at least one graphic card is installed.
Nvidia GeForce graphic cards	Install in slot 1.
Gen 3 M.2 SSD PCIe adapter (Medina I)	Install in slot 1, slot 3, slot 5, or slot 6.

PCIe card	Installation rules
Gen 4 M.2 SSD PCIe adapter (Medina II)	Install in slot 1, slot 3, slot 5, or slot 6.
Gen 5 M.2 SSD PCIe adapter (Medina Gen 5)	Install in slot 1, slot 3, or slot 5.
Intel AX210 WIFI kit	Install in slot 2 or slot 5.
Thunderbolt card	<ul style="list-style-type: none"> <li>- Install in slot 4 or slot 7.</li> <li>- Ensure that at least one graphic card with two DisplayPort connectors is installed.</li> </ul>
BMC card (for selected models)	Install in slot 6.

## Cable connection

When installing a PCIe card, follow the cable connection rule if need.

**Note:** The connectors on the cards or system board might look slightly different from the illustrations.

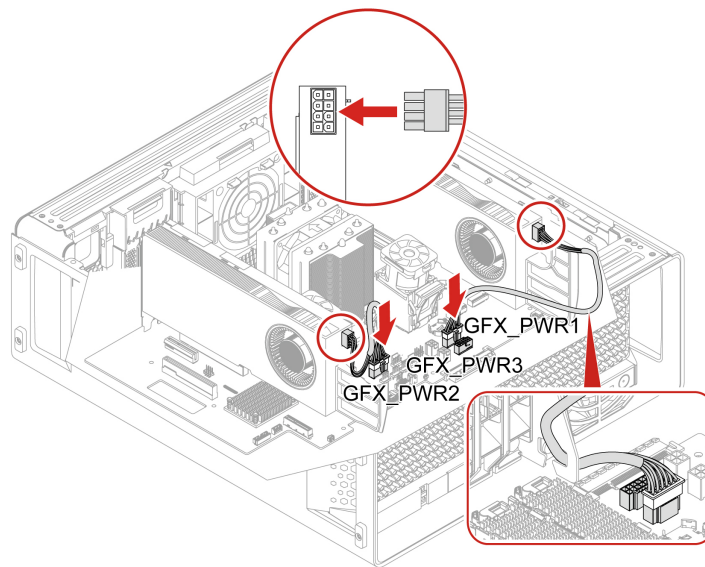


Figure 2. Cable connection for GFX RTX A4500/RTX A5500/RTX A6000



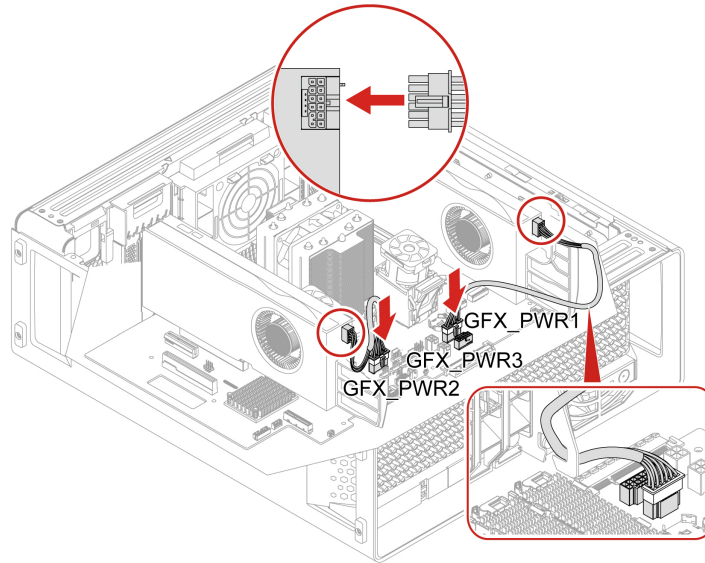


Figure 3. Cable connection for GTX RTX 4000 Ada /RTX 4500 Ada /RTX 5000 Ada /RTX 6000 Ada /RTX 5880 Ada

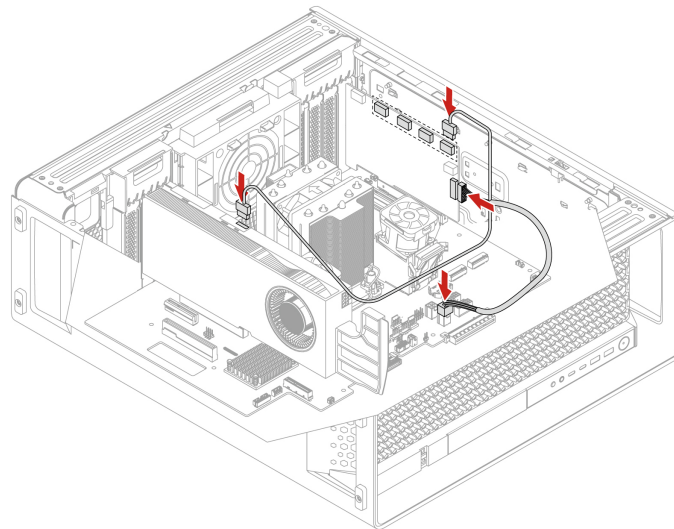


Figure 4. Cable connection for NVIDIA Quadro SYNC II card



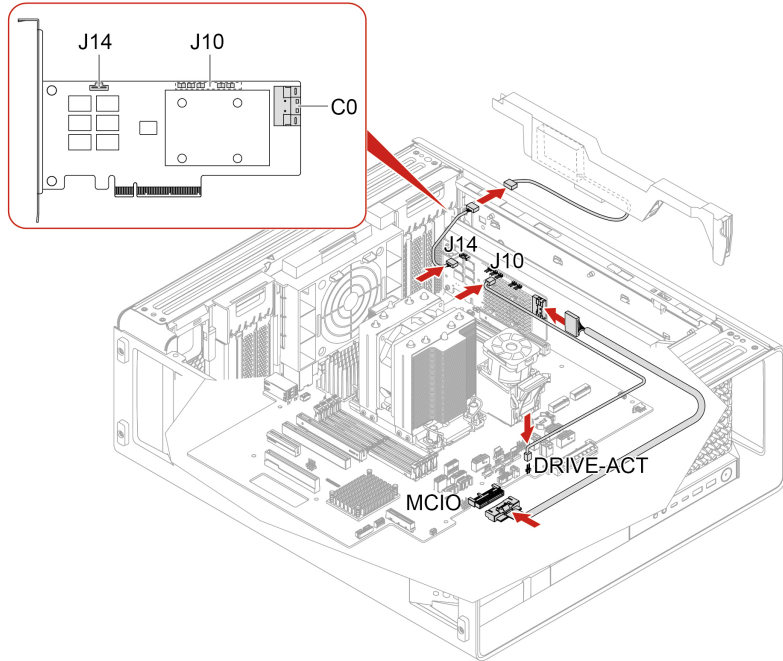


Figure 5. Cable connection for BCM 940-8i RAID AIC

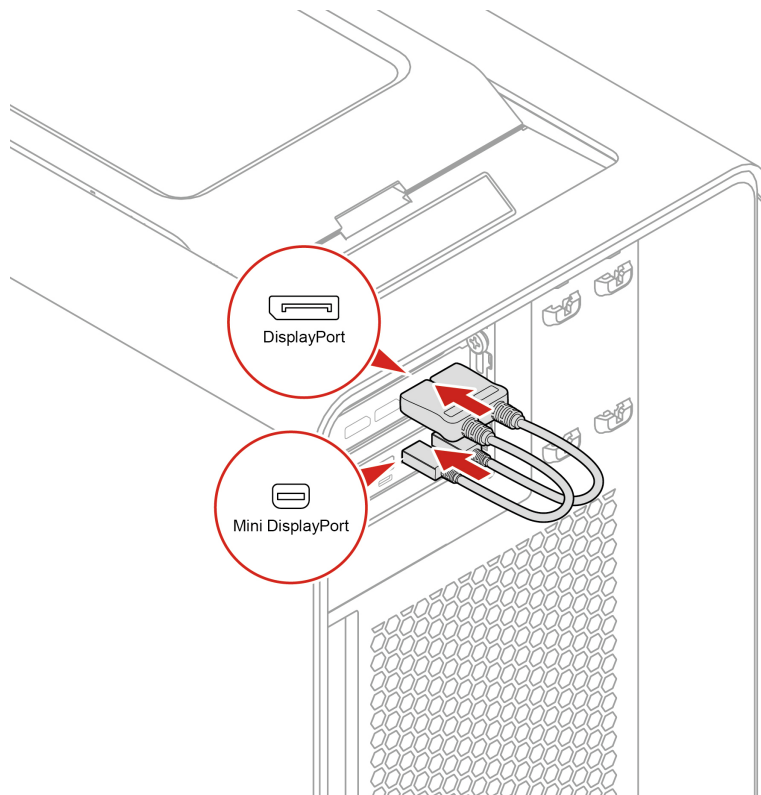


Figure 6. Cable connection for Thunderbolt card

---

## Front panel I/O assembly

### Prerequisite

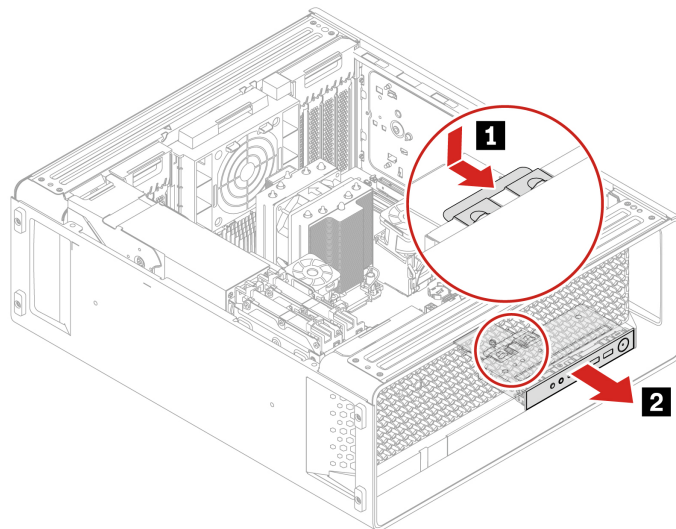
Before you start, read *Generic Safety and Compliance Notices*, and print the following instructions.

For access, do the following:

1. Remove the side cover. See “Side cover” on page 32.
2. Remove the optional internal storage drive cage. See “Optional internal storage drive cage” on page 43.
3. Remove the CPU duct. See “CPU duct” on page 34.
4. Remove the upper PCIe fan. See “Upper PCIe fan” on page 37.

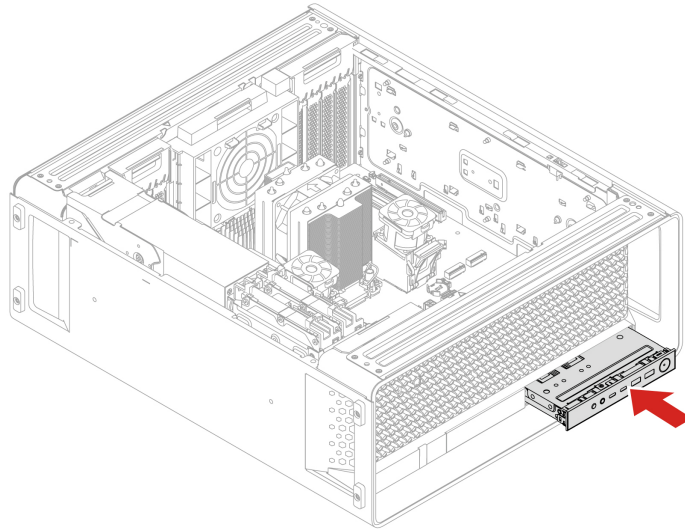
### Removal steps

Remove the front panel I/O assembly.



### Installation steps

Install the front panel I/O assembly.



---

## ThinkStation LED cable and holder

### Prerequisite

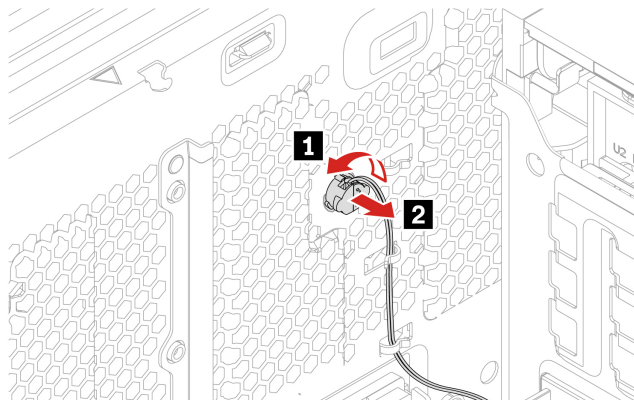
Before you start, read *Generic Safety and Compliance Notices*, and print the following instructions.

For access, do the following:

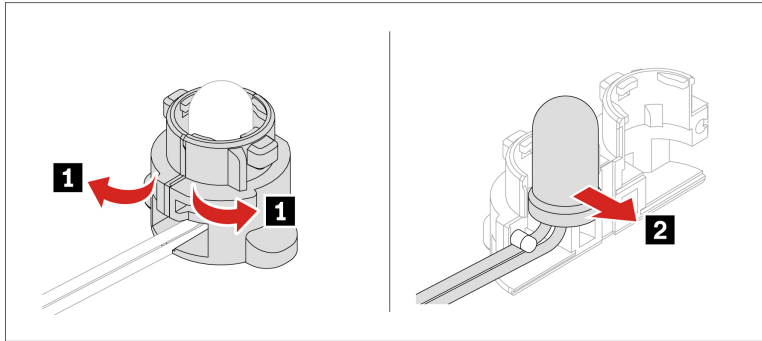
1. Remove the side cover. See “Side cover” on page 32.
2. Remove the optional internal storage drive cage. See “Optional internal storage drive cage” on page 43.
3. Remove the CPU duct. See “CPU duct” on page 34.
4. Remove the front fan. See “Front fan” on page 35.
5. Remove the hard disk driver and lower PCIe fan. See “Lower PCIe fan and hard disk drive fan” on page 39.

### Removal steps

1. Remove the Think LED cable.



2. Remove the Think LED holder.



---

## Internal speaker

### Prerequisite

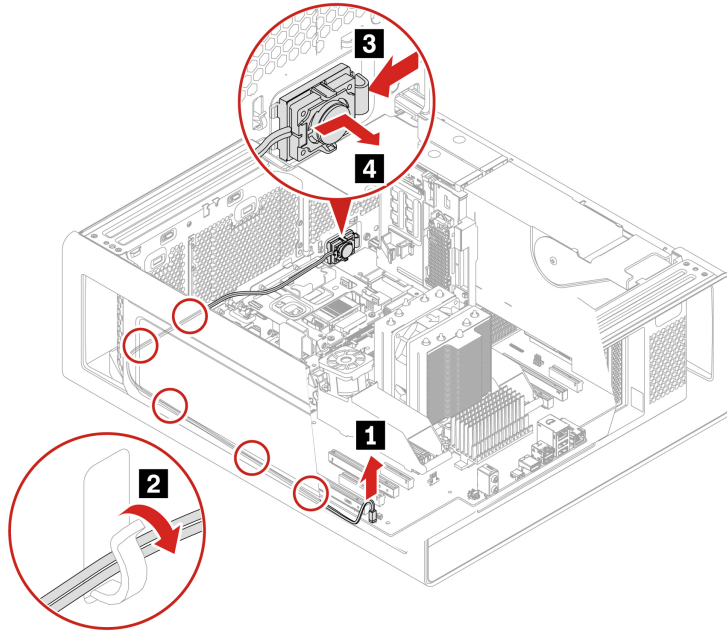
Before you start, read *Generic Safety and Compliance Notices*, and print the following instructions.

For access, do the following:

1. Remove the side cover. See “Side cover” on page 32.
2. Remove the optional internal storage drive cage. See “Optional internal storage drive cage” on page 43.
3. Remove the CPU duct. See “CPU duct” on page 34.
4. Remove the front fan. See “Front fan” on page 35.
5. Remove the rear fan. See “Rear fan” on page 36.
6. Remove the upper PCI-Express fan. See “Upper PCIe fan” on page 37.
7. Remove the hard disk and lower PCI-Express fan. See “Lower PCIe fan and hard disk drive fan” on page 39.

### Removal steps

Remove the internal speaker.



---

## Power supply assembly

### Prerequisite

Before you start, read *Generic Safety and Compliance Notices*, and print the following instructions.

Although there are no moving parts in the computer after the power cord has been disconnected, the following warnings are required for your safety.



Keep fingers and other parts of your body away from hazardous, moving parts. If you suffer an injury, seek medical care immediately. Never remove the cover on a power supply or any part that has the following label attached.

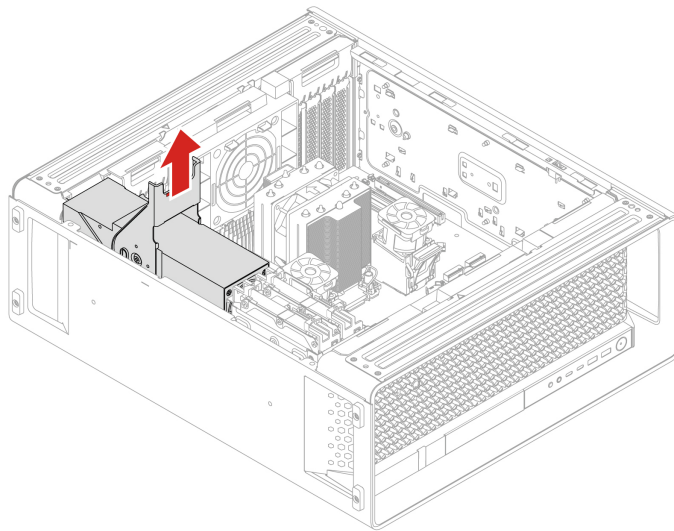
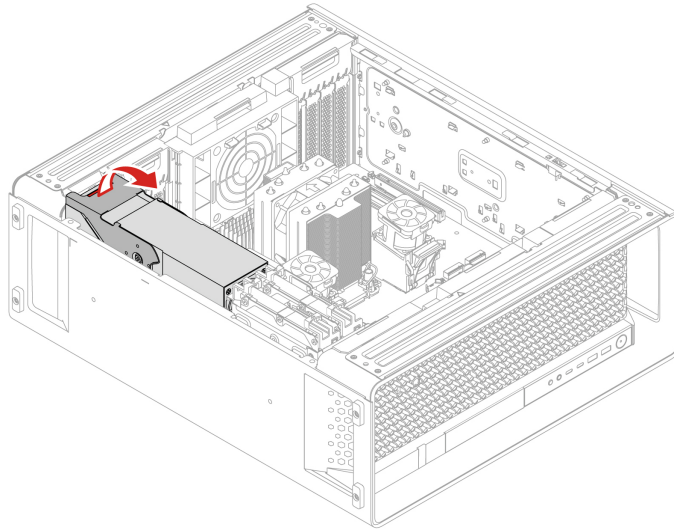


Hazardous voltage, current, and energy levels are present inside any component that has this label attached. There are no serviceable parts inside these components. If you suspect a problem with one of these parts, contact a service technician.

For access, please remove the side cover. See “Side cover” on page 32.

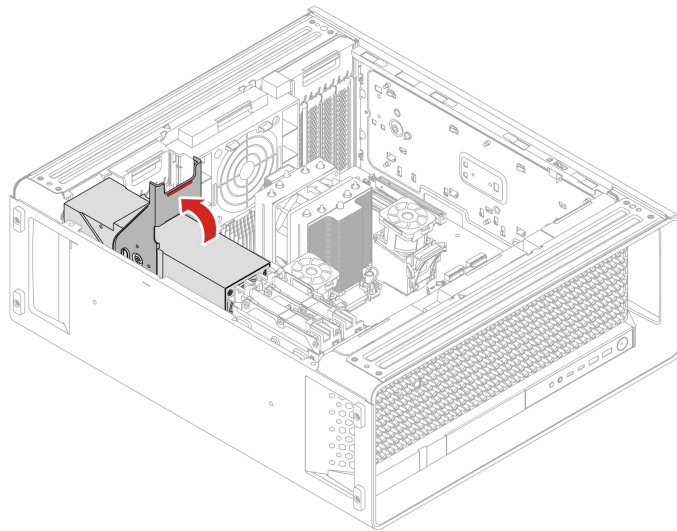
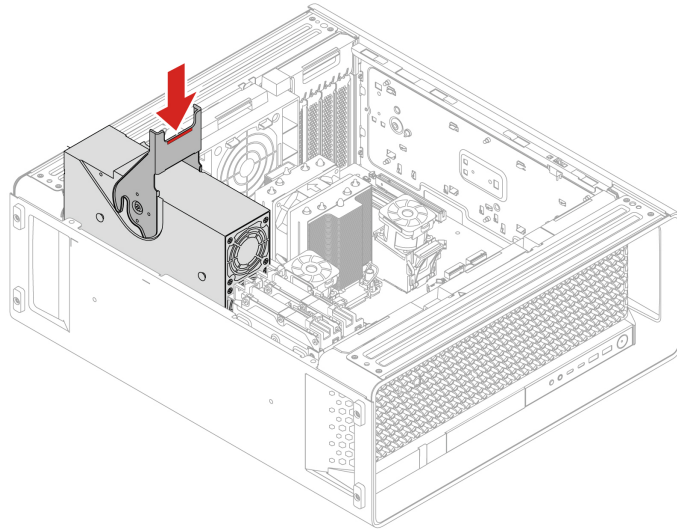
### Removal steps

Remove the power supply assembly.



### Installation steps

Install the power supply assembly.







---

## Chapter 5. Help and support

---

### Self-help resources

Use the following self-help resources to learn more about the computer and troubleshoot problems.

Resources	How to access?
Product documentation: <ul style="list-style-type: none"><li>• <i>Safety and Warranty Guide</i></li><li>• <i>Generic Safety and Compliance Notices</i></li><li>• <i>Setup Guide</i></li><li>• <i>This User Guide</i></li><li>• <i>Regulatory Notice</i></li></ul>	Go to <a href="https://pcsupport.lenovo.com">https://pcsupport.lenovo.com</a> . Then, follow the on-screen instructions to filter out the documentation you want.
Lenovo Support Web site with the latest support information of the following: <ul style="list-style-type: none"><li>• Drivers and software</li><li>• Diagnostic solutions</li><li>• Product and service warranty</li><li>• Product and parts details</li><li>• Knowledge base and frequently asked questions</li></ul>	<a href="https://pcsupport.lenovo.com">https://pcsupport.lenovo.com</a>
Ubuntu help information	<a href="https://help.ubuntu.com/its/ubuntu-help/index.html">https://help.ubuntu.com/its/ubuntu-help/index.html</a>

---

### Lenovo diagnostic tools

Use diagnostic solutions to test hardware components and report operating-system-controlled settings that interfere with the correct operation of your computer. If a four-digit error code is displayed on the diagnostic LCD (for selected models) on the front panel or the diagnostic indicator on the front panel turns on:

1. Use your smartphone to scan the QR code displayed on the diagnostic LCD to open <https://www.thinkworkstationsoftware.com/codes>.
2. Decode the error according to the four-digit error code displayed on the diagnostic LCD.

For more information, go to <https://www.thinkworkstationsoftware.com/diags>.

---

## Call Lenovo

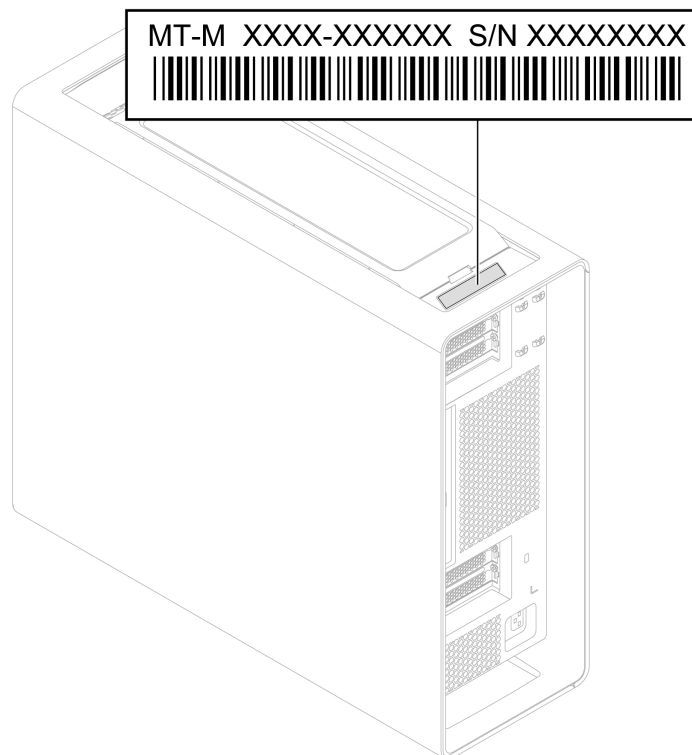
If you have tried to correct the problem yourself and still need help, you can call Lenovo Customer Support Center.

## Before you contact Lenovo

Prepare the following before you contact Lenovo:

1. Record the problem symptoms and details:
  - What is the problem? Is it continuous or intermittent?
  - Any error message or error code?
  - What operating system are you using? Which version?
  - Which software applications were running at the time of the problem?
  - Can the problem be reproduced? If so, how?
2. Record the system information:
  - Product name
  - Machine type and serial number

The following illustration shows where to find the machine type and serial number of your computer.



## Lenovo Customer Support Center

During the warranty period, you can call Lenovo Customer Support Center for help.

## Telephone numbers

For a list of the Lenovo Support phone numbers for your country or region, go to:  
<https://pcsupport.lenovo.com/supportphonenumberlist>

**Note:** Phone numbers are subject to change without notice. If the number for your country or region is not provided, contact your Lenovo reseller or Lenovo marketing representative.

## Services available during the warranty period

- Problem determination - Trained personnel are available to assist you with determining if you have a hardware problem and deciding what action is necessary to fix the problem.
- Lenovo hardware repair - If the problem is determined to be caused by Lenovo hardware under warranty, trained service personnel are available to provide the applicable level of service.
- Engineering change management - Occasionally, there might be changes that are required after a product has been sold. Lenovo or your reseller, if authorized by Lenovo, will make selected Engineering Changes (ECs) that apply to your hardware available.

## Services not covered

- Replacement or use of parts not manufactured for or by Lenovo or nonwarranted parts
- Identification of software problem sources
- Configuration of UEFI BIOS as part of an installation or upgrade
- Changes, modifications, or upgrades to device drivers
- Installation and maintenance of network operating systems (NOS)
- Installation and maintenance of programs

For the terms and conditions of the Lenovo Limited Warranty that apply to your Lenovo hardware product, see *Safety and Warranty Guide* that comes with your computer.

---

## Certification-related information

**Product name:** ThinkStation P7

**Machine types:** 30F2 , 30F3 , 30F4 , 30F5 , 30F6 , and 30F7

Further compliance information related to your product is available at <https://www.lenovo.com/compliance>.

---

## Compliance information

**Note:** For more compliance information, refer to *Generic Safety and Compliance Notices* at <https://pcsupport.lenovo.com>.

---

## Purchase additional services

During and after the warranty period, you can purchase additional services from Lenovo at:  
<https://pcsupport.lenovo.com/warrantyupgrade>

Service availability and service name might vary by country or region.

---

## Purchase accessories

Lenovo has a number of hardware accessories and upgrades to help expand the capabilities of your computer. Options include memory modules, storage devices, network cards, power adapters, keyboards, mice, and more.

To shop at Lenovo, go to <https://www.lenovo.com/accessories>.

---

## Appendix A. Supplemental information about the Ubuntu operating system

In limited countries or regions, Lenovo offers customers an option to order computers with the preinstalled Ubuntu® operating system.

If the Ubuntu operating system is available on your computer, read the following information before you use the computer. Ignore any information related to Windows-based programs, utilities, and Lenovo preinstalled applications in this documentation.

### Access the Lenovo Limited Warranty

This product is covered by the terms of the Lenovo Limited Warranty (LLW), version L505-0010-02 08/2011. You can view the LLW in a number of languages from the following Web site. Read the Lenovo Limited Warranty at:

[https://www.lenovo.com/warranty/llw\\_02](https://www.lenovo.com/warranty/llw_02)

The LLW also is preinstalled on the computer. To access the LLW, go to the following directory:

```
/opt/Lenovo
```

If you cannot view the LLW either from the Web site or from your computer, contact your local Lenovo office or reseller to obtain a printed version of the LLW.

### Access the Ubuntu help system

The Ubuntu help system provides information about how to use the Ubuntu operating system. To access the help system from Home Screen, move your pointer to the Launch bar, and then click the **Help** icon. If you cannot find the **Help** icon from the Launch bar, click the **Search** icon on the bottom left, and type Help to search it.

To learn more about the Ubuntu operating system, go to:

<https://www.ubuntu.com>

### Get support information

If you need help, service, technical assistance, or more information about the Ubuntu operating system or other applications, contact the provider of the Ubuntu operating system or the provider of the application. If you need the service and support for hardware components shipped with your computer, contact Lenovo. For more information about how to contact Lenovo, refer to the *User Guide* and *Safety and Warranty Guide*.

To access the latest *User Guide* and *Safety and Warranty Guide*, go to:

<https://pcsupport.lenovo.com>

### Access open-source information

This device includes software made publicly available by Lenovo, including software licensed under the General Public License and/or the Lesser General Public License (the open source software).

You may obtain a copy of the corresponding source code for any such open source software licensed under the General Public License and/or the Lesser General Public License (or any other license requiring us to make a written offer to provide corresponding source code to you) from Lenovo for a period of three years without charge except for the cost of media, shipping, and handling, upon written request to Lenovo. This offer is valid to anyone in receipt of this device.

You may send your request in writing to the address below accompanied by a check or money order for \$15 to:

Lenovo Legal Department  
Attn: Open Source Team / Source Code Requests  
8001 Development Dr.  
Morrisville, NC 27560

Please include the version of the OS and the version of the Linux Kernel pre-shipped on this Device as part of your request. Be sure to provide a return address.

The open source software is distributed in hope it will be useful, but WITHOUT ANY WARRANTY; without even the implied warranty of MERCHANTABILITY or FITNESS FOR A PARTICULAR PURPOSE. See for example the GNU General Public License and/or the Lesser General Public License for more information.

To view additional information regarding licenses, acknowledgments and required copyright notices for the open source software shipped on your Device, go to `/usr/share/doc/*/copyright`.

---

## Appendix B. Notices and trademarks

### Notices

Lenovo may not offer the products, services, or features discussed in this document in all countries. Consult your local Lenovo representative for information on the products and services currently available in your area. Any reference to a Lenovo product, program, or service is not intended to state or imply that only that Lenovo product, program, or service may be used. Any functionally equivalent product, program, or service that does not infringe any Lenovo intellectual property right may be used instead. However, it is the user's responsibility to evaluate and verify the operation of any other product, program, or service.

Lenovo may have patents or pending patent programs covering subject matter described in this document. The furnishing of this document does not give you any license to these patents. You can send license inquiries, in writing, to:

*Lenovo (United States), Inc.  
8001 Development Drive  
Morrisville, NC 27560  
U.S.A.  
Attention: Lenovo Director of Licensing*

LENOVO PROVIDES THIS PUBLICATION "AS IS" WITHOUT WARRANTY OF ANY KIND, EITHER EXPRESS OR IMPLIED, INCLUDING, BUT NOT LIMITED TO, THE IMPLIED WARRANTIES OF NON-INFRINGEMENT, MERCHANTABILITY OR FITNESS FOR A PARTICULAR PURPOSE. Some jurisdictions do not allow disclaimer of express or implied warranties in certain transactions, therefore, this statement may not apply to you.

Changes are made periodically to the information herein; these changes will be incorporated in new editions of the publication. To provide better service, Lenovo reserves the right to improve and/or modify the products and software programs described in the manuals included with your computer, and the content of the manual, at any time without additional notice.

The software interface and function and hardware configuration described in the manuals included with your computer might not match exactly the actual configuration of the computer that you purchase. For the configuration of the product, refer to the related contract (if any) or product packing list, or consult the distributor for the product sales. Lenovo may use or distribute any of the information you supply in any way it believes appropriate without incurring any obligation to you.

The products described in this document are not intended for use in implantation or other life support applications where malfunction may result in injury or death to persons. The information contained in this document does not affect or change Lenovo product specifications or warranties. Nothing in this document shall operate as an express or implied license or indemnity under the intellectual property rights of Lenovo or third parties. All information contained in this document was obtained in specific environments and is presented as an illustration. The result obtained in other operating environments may vary.

Lenovo may use or distribute any of the information you supply in any way it believes appropriate without incurring any obligation to you.

Any references in this publication to non-Lenovo Web sites are provided for convenience only and do not in any manner serve as an endorsement of those Web sites. The materials at those Web sites are not part of the materials for this Lenovo product, and use of those Web sites is at your own risk.

Any performance data contained herein was determined in a controlled environment. Therefore, the result obtained in other operating environments may vary significantly. Some measurements may have been made on development-level systems and there is no guarantee that these measurements will be the same on generally available systems. Furthermore, some measurements may have been estimated through extrapolation. Actual results may vary. Users of this document should verify the applicable data for their specific environment.

This document is copyrighted by Lenovo and is not covered by any open source license, including any Linux agreement(s) which may accompany software included with this product. Lenovo may update this document at any time without notice.

For the latest information or any questions or comments, contact or visit the Lenovo Web site:

<https://pcsupport.lenovo.com>

### **Trademarks**

Lenovo, Lenovo logo, ThinkStation, and ThinkStation logo are trademarks of Lenovo. Intel, Core, and Thunderbolt are trademarks of Intel Corporation or its subsidiaries in the U.S. and/or other countries. Mini DisplayPort (mDP) and DisplayPort are trademarks of the Video Electronics Standards Association. The terms HDMI and HDMI High-Definition Multimedia Interface are trademarks or registered trademarks of HDMI Licensing LLC in the United States and other countries. Wi-Fi and Wi-Fi Alliance are registered trademarks of Wi-Fi Alliance. USB-C is a registered trademark of USB Implementers Forum. All other trademarks are the property of their respective owners.





**Lenovo**