

P3 Tower  
User Guide

Lenovo  
**ThinkStation**



## **Read this first**

Before using this documentation and the product it supports, ensure that you read and understand the following:

- *Safety and Warranty Guide*
- *Generic Safety and Compliance Notices*
- *Setup Guide*

**Fourth Edition (September 2024)**

**© Copyright Lenovo 2023, 2024.**

LIMITED AND RESTRICTED RIGHTS NOTICE: If data or software is delivered pursuant to a General Services Administration "GSA" contract, use, reproduction, or disclosure is subject to restrictions set forth in Contract No. GS-35F-05925.



---

# Contents

## Discover your Lenovo computer . . . . .iii

### Chapter 1. Meet your computer . . . . . 1

Front . . . . .	1
Rear . . . . .	2
Specifications . . . . .	4
Expand your computer . . . . .	7
USB specifications . . . . .	9

### Chapter 2. Get started with your computer . . . . . 11

Get started with Ubuntu Desktop . . . . .	11
Access networks . . . . .	11
Connect to the wired Ethernet . . . . .	11
Connect to Wi-Fi networks (for selected models) . . . . .	12
Connect an external display . . . . .	12

### Chapter 3. Explore your computer . . . . . 13

Set the power plan . . . . .	13
Transfer data . . . . .	13
Connect to a Bluetooth-enabled device (for selected models) . . . . .	13
Use a media card (for selected models) . . . . .	14
Purchase accessories . . . . .	14

### Chapter 4. Secure your computer and information . . . . . 15

Lock the computer . . . . .	15
UEFI BIOS passwords . . . . .	16
Use BIOS security solutions . . . . .	17

### Chapter 5. Advanced configurations . . . . . 19

What is UEFI BIOS. . . . .	19
Enter the BIOS menu. . . . .	19
Navigate in the BIOS interface . . . . .	19
Change the display language of UEFI BIOS . . . . .	19
Change the display mode of UEFI BIOS (for selected models) . . . . .	20
Set the system date and time . . . . .	20
Change the priority boot order . . . . .	20
Enable or disable the configuration change detection feature . . . . .	21
Enable or disable the automatic power-on feature . . . . .	21
Enable or disable the smart power-on feature (for selected models) . . . . .	21
Change the ITS performance mode . . . . .	21

Change BIOS settings before installing a new operating system . . . . .	22
Update UEFI BIOS. . . . .	22

### Chapter 6. CRU replacement . . . . . 23

CRU list . . . . .	23
System board illustration . . . . .	25
Left side cover . . . . .	26
Slim optical drive . . . . .	27
Slim-optical-drive latch . . . . .	27
Slim-optical-drive bezel, cage, and front cover assembly . . . . .	28
Primary storage drive . . . . .	29
Secondary storage drive cage . . . . .	32
Secondary storage drive . . . . .	33
Storage drive in the front-access storage enclosure . . . . .	35
Front-access storage enclosure . . . . .	39
Side fan with bracket. . . . .	40
Front fan . . . . .	41
Front bezel. . . . .	41
Front-access storage enclosure dummy bezel . . . . .	42
Card reader . . . . .	43
PCIe card . . . . .	44
PCIe card bracket . . . . .	44
PCIe card . . . . .	45
PCIe card installation order and rules . . . . .	48
Cable connection for Thunderbolt card . . . . .	50
Flexible I/O port card. . . . .	50
Chassis beam . . . . .	51
Rear fan. . . . .	52
Cover presence switch . . . . .	54
Internal speaker. . . . .	54
Wi-Fi antenna cover . . . . .	55
M.2 solid-state drive and heat sink . . . . .	56
M.2 solid-state drive bracket. . . . .	59
Memory module . . . . .	59
E-lock . . . . .	60
Chassis rubber foot . . . . .	61

### Chapter 7. Help and support . . . . . 63

Self-help resources . . . . .	63
Lenovo diagnostic tools . . . . .	63
Call Lenovo . . . . .	64
Before you contact Lenovo . . . . .	64
Lenovo Customer Support Center . . . . .	64
Certification-related information . . . . .	65

Compliance information . . . . . 65  
Purchase additional services. . . . . 65

**Appendix A. Supplemental  
information about the Ubuntu operating  
system . . . . . 67**

**Appendix B. Notices and  
trademarks. . . . . 69**

---

## Discover your Lenovo computer

**Thank you for choosing a Lenovo computer! We are dedicated to delivering the best solution to you.**

Before starting your tour, please read the following information:

- Illustrations in this documentation might look different from your product.
- Depending on the model, some optional accessories, features, software programs, and user interface instructions might not be applicable to your computer.
- Documentation content is subject to change without notice. To get the latest documentation, go to <https://pcsupport.lenovo.com>.



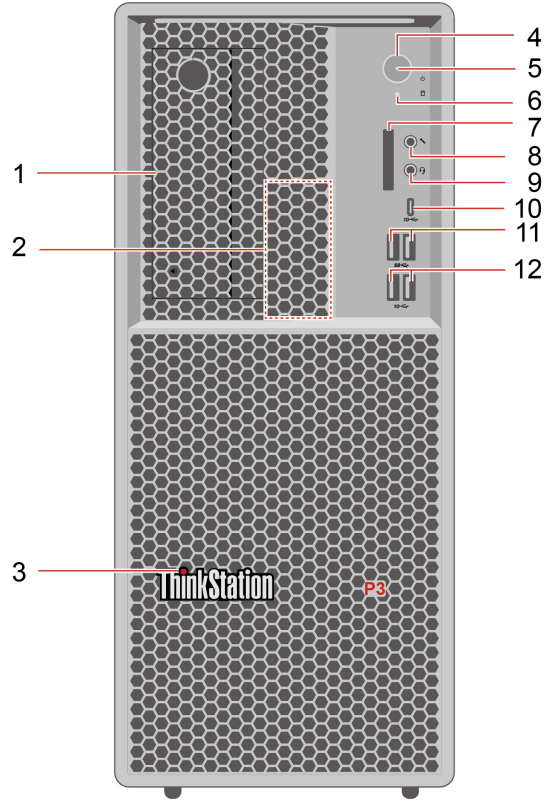


---

# Chapter 1. Meet your computer

---

## Front



Item	Description	Item	Description
1	Flex bay	2	Internal speaker
3	ThinkStation® LED	4	Power button
5	Power indicator	6	Storage drive activity indicator
7	SD-card slot	8	Microphone connector
9	Headset connector	10	USB-C® (3.2 Gen 2) connector
11	USB-A 3.2 Gen 1 connectors	12	USB-A 3.2 Gen 2 connectors

\* for selected models

### Statement on USB transfer rate

Depending on many factors such as the processing capability of the host and peripheral devices, file attributes, and other factors related to system configuration and operating environments, the actual transfer rate using the various USB connectors on this device will vary and will be slower than the data rate listed below for each corresponding device.

USB device	Data rate (Gbit/s)
3.2 Gen 1	5
3.2 Gen 2	10
3.2 Gen 2 × 2	20
Thunderbolt 3	40
Thunderbolt 4	40

### Power indicator

Show the system status of your computer.

- **On:** The computer is starting up or working.
- **Off:** The computer is off or in hibernation mode.
- **Blinking:** The computer is in sleep mode.

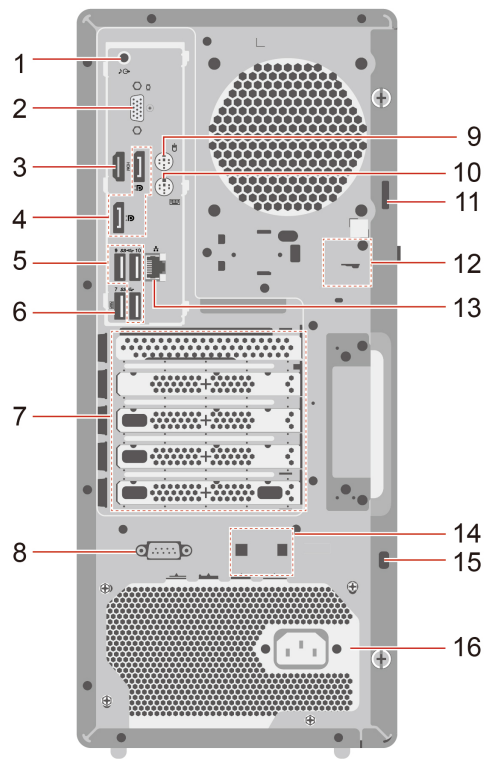
### Headset connector

The headset connector is compatible with:

- Headphones or earphones with a 3.5 mm (0.14 inch), TRS (3-pole) plug
- Headsets with a 3.5 mm (0.14 inch), CTIA-compliant TRRS (4-pole) plug

**Note:** This headset connector does not support standalone external microphones with a TRS (3-pole) plug or headsets with an OMTP-compliant TRRS (4-pole) plug.

## Rear



Item	Description	Item	Description
1	Audio line-out connector	2	Optional connector*
3	HDMI™ out connector	4	DisplayPort™ out connectors
5	USB-A 3.2 Gen 1 connectors	6	USB-A 3.2 Gen 1 connector (with smart power-on feature)
7	PCI-Express card area	8	Serial connector*
9	PS/2 mouse connector*	10	PS/2 keyboard connector*
11	Padlock loop	12	E-lock slots
13	Ethernet connector	14	Smart cable clip slots
15	Security-lock slot	16	Power cord connector

\* for selected models

### **Serial connector**

Connect an external modem, a serial printer, or other devices that use a serial connector.

### **Optional connector**

Depending on the computer model, the connector might be a DisplayPort out connector, a USB-C (3.2 Gen 1) connector, an HDMI™ out connector or a VGA connector.

---

## Specifications

---

Specification	Description
<b>Dimensions</b>	<ul style="list-style-type: none"><li>• Width: 180 mm (7.09 inches)</li><li>• Height: 415 mm (16.34 inches)</li><li>• Depth: 370 mm (14.57 inches)</li></ul>
<b>Weight (without packaging)</b>	Maximum configuration as shipped: 13.61 kg (30 lb)
<b>Hardware configuration</b>	<ol style="list-style-type: none"><li>1. Open the system menu from the top-right corner and click <b>Settings</b>.</li><li>2. Click <b>About</b>.</li></ol>
<b>Power supply</b>	<ul style="list-style-type: none"><li>• 1100-watt automatic voltage-sensing power supply</li><li>• 750-watt automatic voltage-sensing power supply</li><li>• 500-watt automatic voltage-sensing power supply</li></ul>
<b>Electrical input</b>	<ul style="list-style-type: none"><li>• Input voltage: From 100 V ac to 240 V ac</li><li>• Input frequency: 50/60 Hz</li></ul>
<b>Microprocessor</b>	To view the microprocessor information of your computer, enter <b>Settings</b> and click <b>About</b> .
<b>Memory</b>	<p>Up to four DDR5 (double data rate 5) UDIMMs (unbuffered dual inline memory modules).</p> <p>Maximum memory capacity: 128 GB</p>
<b>Storage device</b>	<ul style="list-style-type: none"><li>• 3.5-inch hard disk drive</li><li>• 2.5-inch hard disk drive*</li><li>• 2.5-inch solid-state drive*</li><li>• M.2 solid-state drive*</li></ul> <p>Type <b>Disks</b> in the search box and use the <b>Disks</b> application to view the storage drive capacity of your computer.</p> <p><b>Note:</b> The storage drive capacity indicated by the system is less than the nominal capacity.</p>
<b>Video features</b>	<ul style="list-style-type: none"><li>• The integrated graphics card supports the following:<ul style="list-style-type: none"><li>– DisplayPort out connector</li><li>– HDMI out connector</li><li>– VGA-out connector*</li><li>– USB-C (3.2 Gen 1) connector*</li></ul></li><li>• The optional discrete graphics card provides an enhanced video experience and extended capabilities.</li></ul>

---



Specification	Description
<b>Expansion</b>	<ul style="list-style-type: none"> <li>• Flex bay</li> <li>• Memory slots</li> <li>• SD-card slot (supporting SD card reader*)</li> <li>• M.2 solid-state drive Gen 4 slots</li> <li>• 3.5-inch primary storage drive cages</li> <li>• PCI-Express x1 card slots</li> <li>• PCI-Express x16 Gen 4 graphics card slot</li> <li>• PCIe x16 Gen 4 slot (negotiable link width x4)</li> </ul>
<b>Network features</b>	<ul style="list-style-type: none"> <li>• Bluetooth*</li> <li>• Ethernet LAN</li> <li>• Wireless LAN*</li> </ul>

\* for selected models

## Operating environment

### Maximum altitude (without pressurization)

- Operating: From 0 m (0 ft) to 3048 m (10 000 ft)
- Storage: From 0 m (0 ft) to 12192 m (40 000 ft)

### Temperature

- Operating: From 10 °C (50 °F) to 35 °C (95 °F)
- Storage: From -40 °C (-40 °F) to 60 °C (140 °F)

### Relative humidity

- Operating: 20%-80% (non-condensing)
- Storage: 10%–90% (non-condensing)

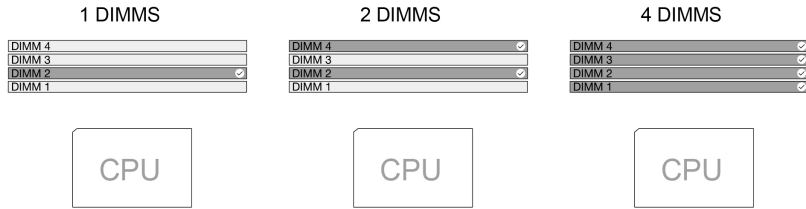
### System memory speed

The Intel Xeon® or Intel Core™ microprocessor families compatible with this ThinkStation computer feature an integrated memory controller. The memory controller provides the microprocessor with direct access to the system memory. Therefore, the system memory speed will be determined by the memory module type, frequency, size (capacity), the number of memory modules installed, and the microprocessor model.

### Notes:

- The actual system memory speed of the memory modules varies depending on the microprocessor model. For example, your computer comes with 5600 MT/s memory modules, but the microprocessor only supports up to 4400 MT/s memory modules. Then the system memory speed will be no faster than 4400 MT/s.
- The microprocessor models supported in your computer might vary. For a list of supported microprocessor models, contact the Lenovo Customer Support Center.
- Your computer comes with 5600 MT/s memory modules and will run at lower speed due to platform limitations.

- Ensure that you follow the installation order for memory modules shown in the following illustration.

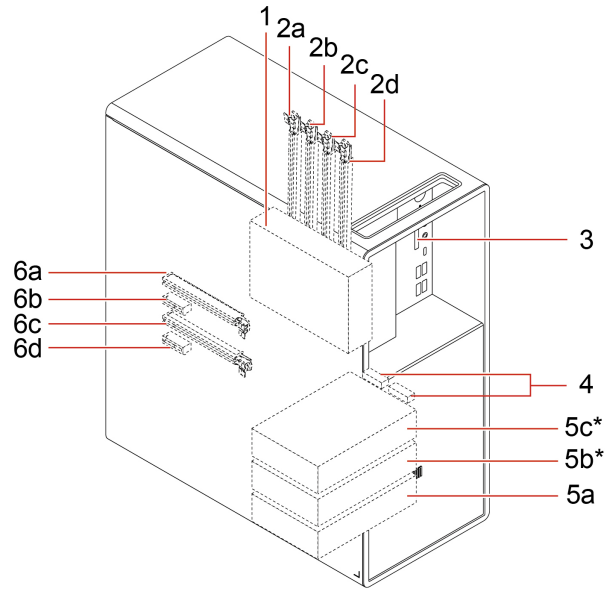


Refer to the following information about the system memory speed:

- **Memory module types:**
  - ECC DDR5 UDIMMs
  - Non-ECC DDR5 UDIMMs
- **Memory module speed:**
  - 1 x 8 GB / 2 x 8 GB / 1 x 16 GB / 2 x 16 GB / 1 x 32 GB / 2 x 32 GB configurations run at DDR5-4400;
  - 4 x 8 GB / 4 x 16 GB configurations run at DDR5-4000;
  - 4 x 32 GB configuration runs at DDR5-3600.

## Expand your computer

You can enhance your computer capacity and performance by adding various devices according to the following rules:



\* for selected models

Location	Rules
1. Flex bay	<p>Your computer has a flex bay for installing one of the following devices:</p> <ul style="list-style-type: none"> <li>• Secondary storage drive cage</li> <li>• Front-access storage enclosure</li> <li>• Slim-optical-drive cage</li> </ul> <p>In the secondary storage drive cage or the front-access storage enclosure, you can install one of the following storage drives with storage drive tray:</p> <ul style="list-style-type: none"> <li>• 3.5-inch storage drive</li> <li>• 2.5-inch storage drive with a storage drive converter</li> </ul> <p><b>Note:</b> The applicable storage drive tray and storage drive converter may vary from locations or devices.</p>
2. Memory slots	<p>Your computer has four memory slots for installing the following memory modules:</p> <ul style="list-style-type: none"> <li>• 16 GB or 32 GB ECC DDR5 UDIMMs</li> <li>• 8GB, 16GB, 32 GB non-ECC DDR5 UDIMMs</li> </ul> <p><b>Notes:</b></p> <ul style="list-style-type: none"> <li>• Supported memory quantity: 1 pcs, 2 pcs, or 4 pcs.</li> <li>• ECC UDIMMs and non-ECC UDIMMs can't be used together.</li> <li>• The four slots support 2DPC (two DIMMs per channel). 2a and 2b is one channel. 2c and 2d is another channel. Symmetric configurations are required within one channel. Ensure that the two DIMMs installed in one channel are purchased from the same manufacturer.</li> </ul>
3. SD-card slot	<p>You can install a supported media card into the SD-card slot.</p>
4. M.2 solid-state drive slots	<p>Your computer has two M.2 solid-state drive slots for installing M.2 solid-state drives.</p>
5. Primary storage drive cages	<p>Your computer has up to three primary storage drive cages for installing the following storage drives:</p> <ul style="list-style-type: none"> <li>• 3.5-inch storage drive</li> <li>• 2.5-inch storage drive with a storage drive converter</li> </ul> <p><b>Notes:</b></p> <ul style="list-style-type: none"> <li>• The applicable storage drive tray and storage drive converter may vary from locations or devices.</li> <li>• When your computer is installed with M.2 solid-state drive, only 5a and 5b can be available.</li> </ul>
6. PCIe slots	<p>Your computer has the following PCIe slots:</p> <ul style="list-style-type: none"> <li>• PCIe x1 slots</li> <li>• PCIe x16 Gen 4 graphics card slot</li> <li>• PCIe x16 Gen 4 slot (negotiable link width x4)</li> </ul> <p>You can install compatible PCIe cards and PCIe solid-state drives in the PCIe card slots.</p>
6a. PCIe x16 Gen 4 graphics card slot	<ul style="list-style-type: none"> <li>• Only discrete graphics card can be installed to this slot.</li> <li>• If there is only one discrete graphics card, install it to this slot.</li> <li>• If there are two discrete graphics cards, install the one with higher power consumption to this slot.</li> </ul>

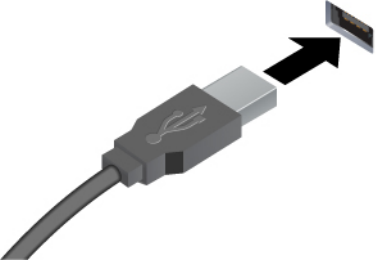

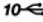
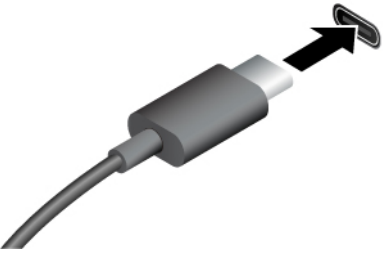

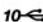


**Note:** To add or replace a device, see Chapter 5 CRU replacement.

---

## USB specifications

**Note:** Depending on the model, some USB connectors might not be available on your computer.

Connector name	Description
 <ul style="list-style-type: none"><li>•  USB-A 3.2 Gen 1 connector</li><li>•  USB-A 3.2 Gen 2 connector</li></ul>	<p>Connect USB-A compatible devices, such as a USB-A keyboard, USB-A mouse, USB-A storage device, or USB-A printer.</p>
 <ul style="list-style-type: none"><li>•  USB-C (3.2 Gen 1) connector</li><li>•  USB-C (3.2 Gen 2) connector</li></ul>	<ul style="list-style-type: none"><li>• Charge USB-C compatible devices with the output voltage and current of 5 V and 3 A.</li><li>• Connect to an external display:<ul style="list-style-type: none"><li>– USB-C to VGA: 1920 x 1200 pixels, 60 Hz</li><li>– USB-C to DP: 3840 x 2160 pixels, 60 Hz</li></ul></li><li>• Connect to USB-C accessories to help expand your computer functionality. To purchase USB-C accessories, go to <a href="https://www.lenovo.com/accessories">https://www.lenovo.com/accessories</a>.</li></ul>



---

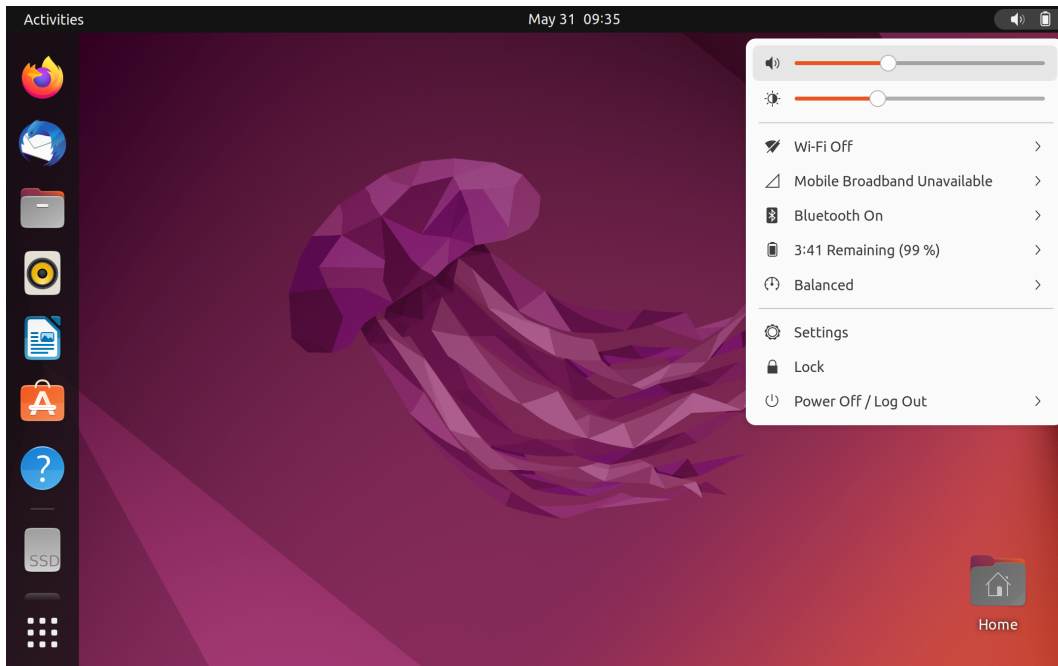
## Chapter 2. Get started with your computer

---

### Get started with Ubuntu Desktop

Learn the basics of Ubuntu and start working with it right away. For more information about Ubuntu, see the Ubuntu documentation site at: <https://help.ubuntu.com/its/ubuntu-help/index.html>.

The Gnome desktop is installed by default and is designed to be simple and easy to use. Details on using Gnome are available by launching the Help application or online at <https://help.gnome.org/users/>.



#### Launch an app

- Press the Super key (with the Windows logo) or open the Activities menu on the top left and type in the name of the application you want to launch.
- Click the **Show Applications** button on the lower left, and select the application you want to launch.

#### Launch settings

Open the system menu from the top-right corner and click **Settings**.

---

### Access networks

This section helps you access networks through connecting to a wired or wireless network.

#### Connect to the wired Ethernet

Connect your computer to a local network through the Ethernet connector on your computer with an Ethernet cable.

## Connect to Wi-Fi networks (for selected models)

If your computer includes a wireless LAN module, you can connect your computer to Wi-Fi® networks.

1. Open the system menu from the top-right corner and expand the Wi-Fi section of the menu.
2. Click **Select Network**. A list of available wireless networks is displayed.
3. Select a network available for connection. Provide required information, if needed.

---

## Connect an external display

Connect a projector or a monitor to your computer to give presentations or expand your workspace.

### Change display settings

Right-click a blank area on the desktop and select **Display settings**. Then, you can change display settings as you prefer.



---

## Chapter 3. Explore your computer

---

### Set the power plan

For ENERGY STAR® compliant computers, the following power plan takes effect when your computers have been idle for a specified duration:

- Turn off the display: After 5 minutes
- Put the computer to sleep: After 20 minutes

To awaken the computer from Sleep mode, press any key on your keyboard.

To reset the power plan to achieve the best balance between performance and power saving:

1. Open the system menu from the top-right corner and click **Settings**.
2. Click **Power**.
3. Choose or customize a power plan of your preference.

---

### Transfer data

Quickly share your files using the built-in Bluetooth technology among devices with the same features. You also can install a disc or media card to transfer data.

### Connect to a Bluetooth-enabled device (for selected models)

You can connect all types of Bluetooth-enabled devices to your computer, such as a keyboard, a mouse, a smartphone, or speakers. Place the device that you are attempting to connect to less than 10 meters (33 feet) from the computer.



1. Turn on Bluetooth on the computer.
  - a. Open the system menu from the top-right corner and then click **Settings** → **Bluetooth**.
  - b. In the Bluetooth section enable Bluetooth with the toggle button at the top.

2. Any discoverable devices will be shown in the **Devices** list.
3. Select a Bluetooth device, and then follow the on-screen instructions.

## Use a media card (for selected models)

If your computer has an SD-card slot, read the following information.

### Install a media card

1. Locate the SD-card slot.
2. Ensure that the metal contacts on the card are facing the ones in the SD-card slot. Insert the card firmly into the SD-card slot until it is secured in place.

### Remove a media card

**Attention:** Before removing a media card, unmount the card from the operating system first. Otherwise, data on the card might get corrupted or lost.

1. Launch the **Files** application.
2. Select the unmount icon next to the card and unmount the card from the operating system.
3. Press the card and remove it from your computer. Store the card safely for future use.

---

## Purchase accessories

Lenovo has a number of hardware accessories and upgrades to help expand the capabilities of your computer. Options include memory modules, storage devices, network cards, power adapters, keyboards, mice, and more.

To shop at Lenovo, go to <https://www.lenovo.com/accessories>.

---

## Chapter 4. Secure your computer and information

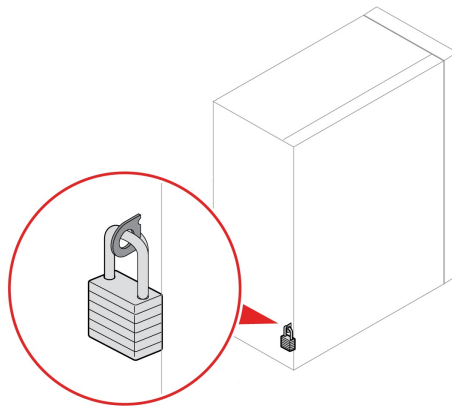
---

### Lock the computer

**Note:** Lenovo makes no comments, judgments, or warranties about the function, quality, or performance of the locking device and security feature. You can purchase computer locks from Lenovo.

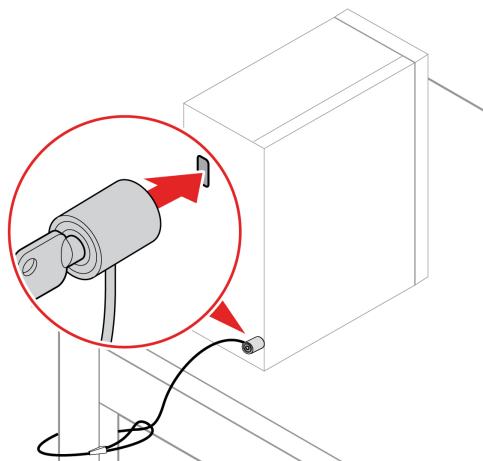
#### Padlock

Locking the computer cover through a padlock prevents unauthorized access to the inside of your computer.



#### Security lock

Lock your computer to a desk, table, or other fixtures through a security lock.



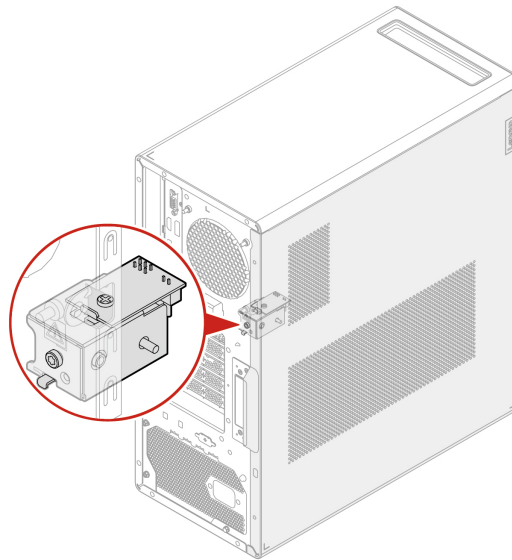
#### E-lock

Your computer might have a security lock solution installed to protect the computer from unauthorized tampering of the internal components. Using the E-Lock, you can mechanically lock or unlock the computer cover.

To enable or disable the E-Lock:

1. Restart the computer. When the logo screen is displayed, press F1 or Fn+F1.
2. Select **Security** → **Electronic Lock** to enable or disable the E-lock.

3. Press F10 or Fn+F10 to save the changes and exit. Your computer will restart automatically and then changes take effect.



---

## UEFI BIOS passwords

You can set passwords in UEFI (Unified Extensible Firmware Interface) BIOS (Basic Input/Output System) to strengthen the security of your computer.

### Password types

You can set a power-on password, supervisor password, system management password, or hard disk password in UEFI BIOS to prevent unauthorized access to your computer. However, you are not prompted to enter any UEFI BIOS password when your computer resumes from sleep mode.

- Power-on password

When a power-on password is set, you are prompted to enter a valid password each time the computer is turned on.

- Supervisor password

Setting a supervisor password deters unauthorized users from changing configuration settings. If you are responsible for maintaining the configuration settings of several computers, you might want to set a supervisor password.

When a supervisor password is set, you are prompted to enter a valid password each time you try to enter the BIOS menu.

If both the power-on password and supervisor password are set, you can enter either password. However, you must use your supervisor password to change any configuration settings.

- Hard disk password

Setting a hard disk password prevents unauthorized access to the data on the storage drive. When a hard disk password is set, you are prompted to enter a valid password each time you try to access the storage drive.

**Note:** After you set a hard disk password, your data on the storage drive is protected even if the storage drive is removed from one computer and installed in another.

- System management password (for selected models)

You can enable the system management password to have the same authority as the supervisor password to control security related features. To customize the authority of the system management password through the UEFI BIOS menu:

1. Restart the computer. When the logo screen is displayed, press F1 or Fn+F1.
2. Select **Security** → **System Management Password Access Control**.
3. Follow the on-screen instructions.

If you have set both the supervisor password and the system management password, the supervisor password overrides the system management password.

### Set, change, and remove a password

Before you start, print these instructions.

1. Restart the computer. When the logo screen is displayed, press F1 or Fn+F1.
2. Select **Security**.
3. Depending on the password type, select **Set Supervisor Password**, **Set Power-On Password**, **Set System Management Password**, or **Hard Disk Password** and press Enter.
4. Follow the on-screen instructions to set, change, or remove a password.
5. Press F10 or Fn+F10 to save the changes and exit.

You should record your passwords and store them in a safe place. If you forget the passwords, contact a Lenovo-authorized service provider.

**Note:** If the hard disk password is forgotten, Lenovo cannot remove the password or recover data from the storage drive.

---

## Use BIOS security solutions

This section provides BIOS solutions to secure your computer and information.

### Wipe the storage drive data

It is recommended that you wipe the storage drive data before recycling the storage drive or the computer.

To wipe the storage drive data:

1. Restart the computer. When the logo screen is displayed, press F1 or Fn+F1.
2. Select **Security** → **secure wipe** → **Enabled**.
3. Press F10 or Fn+F10 to save the changes and exit.
4. Restart the computer. When the logo screen is displayed, press F12 or Fn+F12.
5. Select **App Menu** → **secure wipe** and press Enter.
6. Select the storage drive you will wipe and click **NEXT**.
7. Select the entire storage drive or partition to wipe as desired.
8. Select the method as desired and click **NEXT**.
9. Click **Yes** to confirm your option when the prompting window is displayed.
10. If you have set a hard disk password for the storage drive, enter the password. Otherwise, set a temporary password following the on-screen instructions. Then, click **NEXT**. The wiping process begins.

**Note:** Duration of the wiping process varies depending on the storage drive capacity.

11. Click **Reboot** when you are prompted to reset the system, and then one of the following will happen:
  - If the system storage drive data is wiped, you will be prompted that no operating system is found.

- If the non-system storage drive data is wiped, the computer restarts automatically.

### Cover presence switch

The cover presence switch prevents the computer from logging in to the operating system when the computer cover is not properly installed or closed.

To enable the cover presence switch connector on the system board:

1. Restart the computer. When the logo screen is displayed, press F1 or Fn+F1.
2. Select **Security → Cover Tamper Detected** and press Enter.
3. Select **Enabled** and press Enter.
4. Press F10 or Fn+F10 to save the changes and exit.

If the cover presence switch is enabled and the computer cover is not correctly installed or closed, an error message will be displayed when you turn on the computer. To bypass the error message and log in to the operating system:

1. Properly install or close the computer cover.
2. Enter the BIOS menu, save and then exit.

### Intel BIOS guard

The Intel® BIOS Guard module cryptographically verifies all BIOS updates. This hardware-based security helps prevent software and malware attacks on the computers BIOS.

### Smart USB Protection

The Smart USB Protection function is a security function that helps prevent data from being copied from the computer to USB storage devices connected to the computer. You can set the Smart USB Protection function to one of the following modes:

- **Disabled** (default setting): You can use the USB storage devices without limitation.
- **Read Only**: You cannot copy data from the computer to the USB storage devices. However, you can access data on the USB storage devices.
- **No Access**: You cannot access the USB storage devices from the computer.

To configure the Smart USB Protection function:

1. Restart the computer. When the logo screen is displayed, press F1 or Fn+F1.
2. Select **Security → Smart USB Protection** and press Enter.
3. Select the desired setting and press Enter.
4. Press F10 or Fn+F10 to save the changes and exit.

---

## Chapter 5. Advanced configurations

---

### What is UEFI BIOS

**Note:** The operating system settings might override any similar settings in UEFI BIOS.

UEFI BIOS is the first program that the computer runs when the computer is turned on. UEFI BIOS initializes the hardware components and loads the operating system and other programs. Your computer comes with a setup program with which you can change UEFI BIOS settings.

---

### Enter the BIOS menu

Restart the computer. When the logo screen is displayed, press F1 or Fn+F1 to enter the BIOS menu.

**Note:** If you have set BIOS passwords, enter the correct passwords when prompted. You also can select **No** or press Esc to skip the password prompt and enter the BIOS menu. However, you cannot change the system configurations that are protected by passwords.

---

### Navigate in the BIOS interface

**Attention:** The default configurations are already optimized for you in **boldface**. Improper change of the configurations might cause unexpected results.

Depending on your keyboard, you can navigate in the BIOS interface by pressing the following keys, or combinations of Fn and the following keys:

Key	Function
F1 or Fn+F1	General Help
Esc or Fn+Esc	Exit the submenu
↑ ↓ or Fn+↑ ↓	Locate an item
← → or Fn+← →	Move keyboard focus
+/- or Fn++/-	Change value
Enter	Enter the submenu
F9 or Fn+F9	Setup Defaults
F10 or Fn+F10	Save and exit

---

### Change the display language of UEFI BIOS

UEFI BIOS supports three or four display languages: English, French, simplified Chinese, and Russian (for selected models).

To change the display language of UEFI BIOS:

1. Select **Main** → **Language** and press Enter.
2. Set the display language as desired.

---

## Change the display mode of UEFI BIOS (for selected models)

You can use UEFI BIOS in the graphic mode or the text mode according to your needs.

The keys on the keyboard used to perform various tasks are displayed at the bottom of the screen. In addition to the keyboard, you also can use the mouse to make selections.

To change the display mode of UEFI BIOS:

1. Restart the computer. When the logo screen is displayed, press F1 or Fn+F1.
2. Select **Main** → **Setup Mode Select** and press Enter.
3. Set the display mode as desired.

---

## Set the system date and time

1. Restart the computer. When the logo screen is displayed, press F1 or Fn+F1.
2. Select **Main** → **System Time & Date** and press Enter.
3. Set the system date and time as desired.
4. Press F10 or Fn+F10 to save the changes and exit.

---

## Change the priority boot order

If the computer does not boot from a device as expected, you can change the boot priority order permanently or select a temporary boot device.

### Change the priority boot order permanently

1. Depending on the type of the storage device, do one of the following:
  - If the storage device is internal, go to step 2.
  - If the storage device is a disc, ensure that the computer is on or turn on the computer. Then, insert the disc into the optical drive.
  - If the storage device is an external device other than a disc, connect the storage device to the computer.
2. Restart the computer. When the logo screen is displayed, press F1 or Fn+F1.
3. Select **Startup** → **Priority Boot Order**, and then follow the on-screen instructions to change the boot priority order.
4. You can also select the first priority device group by selecting **Startup** → **First Boot Device**, and then follow the on-screen instructions to select the first boot device within this group. Your computer will boot from the first boot device before trying the boot priority order you set in the previous step.
5. Press F10 or Fn+F10 to save the changes and exit.

### Select a temporary boot device

**Note:** Not all discs and storage drives are bootable.

1. Depending on the type of the storage device, do one of the following:
  - If the storage device is internal, go to step 2.
  - If the storage device is a disc, ensure that the computer is on or turn on the computer. Then, insert the disc into the optical drive.
  - If the storage device is an external device other than a disc, connect the storage device to the computer.



2. Restart the computer. When the logo screen is displayed, press F12 or Fn+F12.
3. Select the storage device as desired and press Enter.

If you want to change the boot priority order permanently, select **Enter Setup** on Startup Device Menu and press Enter to enter the BIOS menu.

---

## Enable or disable the configuration change detection feature

If you enable configuration change detection, when the POST detects configuration changes of some hardware devices (such as storage drives or memory modules), an error message will be displayed when you turn on the computer.

To enable or disable the configuration change detection feature:

1. Restart the computer. When the logo screen is displayed, press F1 or Fn+F1.
2. Select **Security → Configuration Change Detection** and press Enter.
3. Enable or disable the feature as desired.
4. Press F10 or Fn+F10 to save the changes and exit.

To bypass the error message and log in to the operating system, press F2 or Fn+F2. To clear the error message, enter the BIOS menu, save and then exit.

---

## Enable or disable the automatic power-on feature

The Automatic Power On item in UEFI BIOS provides various options for you to make your computer start up automatically.

To enable or disable the automatic power-on feature:

1. Restart the computer. When the logo screen is displayed, press F1 or Fn+F1.
2. Select **Power → Automatic Power On** and press Enter.
3. Select the feature as desired and press Enter.
4. Enable or disable the feature as desired.
5. Press F10 or Fn+F10 to save the changes and exit.

---

## Enable or disable the smart power-on feature (for selected models)

Ensure that the keyboard is connected to a USB connector supporting the smart power-on feature. With the smart power-on feature enabled, you can start up or wake up the computer from the hibernation mode by pressing Alt+P.

To enable or disable the smart power-on feature:

1. Restart the computer. When the logo screen is displayed, press F1 or Fn+F1.
2. Select **Power → Smart Power On** and press Enter.
3. Enable or disable the feature as desired.
4. Press F10 or Fn+F10 to save the changes and exit.

---

## Change the ITS performance mode

You can adjust the acoustic and thermal performance of your computer by changing the ITS performance mode. Three choices are available:

- **Best Performance** (default setting): The computer works at the best system performance with normal acoustic level.
- **Best Experience**: The computer works at the best experience with balanced noise and better performance.
- **Full Speed**: All fans in the computer will run at full speed.

To change the ITS performance mode:

1. Restart the computer. When the logo screen is displayed, press F1 or Fn+F1.
2. Select **Power** → **Intelligent Cooling** and press Enter.
3. Select **Performance Mode** and press Enter.
4. Set the performance mode as desired.
5. Press F10 or Fn+F10 to save the changes and exit.

---

## Change BIOS settings before installing a new operating system

BIOS settings vary by operating system. Change the BIOS settings before installing a new operating system.

To change the BIOS settings:

1. Restart the computer. When the logo screen is displayed, press F1 or Fn+F1.
2. From the main interface, select **Security** → **Secure Boot** and press Enter.
3. Depending on the operating system to be installed, do one of the following:
  - To install the Windows 10 (64-bit) and most of Linux operating system, select **Enabled** for **Secure Boot**.
  - To install an operating system that does not support secure boot, select **Disabled** for **Secure Boot**.
4. Press F10 or Fn+F10 to save the changes and exit.

---

## Update UEFI BIOS

When you install a new program, device driver, or hardware component, you might need to update UEFI BIOS. You can update the BIOS from your operating system or a flash update disc (supported only on selected models).

Download and install the latest UEFI BIOS update package by one of the following methods:

- Using the built-in software update service:

Ubuntu software update will check the LVFS site for any firmware updates and notify you when updates are available.
- From the Lenovo Support Web site:
  1. Go to <https://pcsupport.lenovo.com>.
  2. Download the flash BIOS update driver for the operating system version or the ISO image version (used to create a flash update disc). Then, download the installation instructions for the flash BIOS update driver you have downloaded.
  3. Print the installation instructions and follow the instructions to update the BIOS.

---

## Chapter 6. CRU replacement

Customer Replaceable Units (CRUs) are parts that can be replaced by the customer. Lenovo computers contain the following types of CRUs:

- **Self-service CRUs:** Refer to parts that can be replaced easily by customer themselves or by trained service technicians at an additional cost.
- **Optional-service CRUs:** Refer to parts that can be replaced by customers with a greater skill level. Trained service technicians can also provide service to replace the parts under the type of warranty designated for the customer's machine.

If you intend on installing the CRU, Lenovo will ship the CRU to you. CRU information and replacement instructions are shipped with your product and are available from Lenovo at any time upon request. You might be required to return the defective part that is replaced by the CRU. When return is required: (1) return instructions, a prepaid shipping label, and a container will be included with the replacement CRU; and (2) you might be charged for the replacement CRU if Lenovo does not receive the defective CRU within thirty (30) days of your receipt of the replacement CRU. For full details, see the Lenovo Limited Warranty documentation at:

[https://www.lenovo.com/warranty/llw\\_02](https://www.lenovo.com/warranty/llw_02)

---

### CRU list

The following is the CRU list of your computer.

#### Self-service CRUs

- Left side cover
- Slim optical drive\*
- Slim-optical-drive latch\*
- Slim-optical-drive bezel, cage, and front cover assembly\*
- 3.5-inch storage drive\*
- 2.5-inch storage drive\*
- Storage drive tray\*
- Storage drive converter\*
- Secondary storage drive cage\*
- Front-access storage enclosure\*
- Front-access storage enclosure bezel\*
- Side fan with bracket\*
- Front fan\*
- Front bezel
- Front-access storage enclosure dummy bezel\*
- PCIe card bracket\*
- Chassis beam
- Cover presence switch\*
- Rear fan\*
- Wi-fi antenna cover

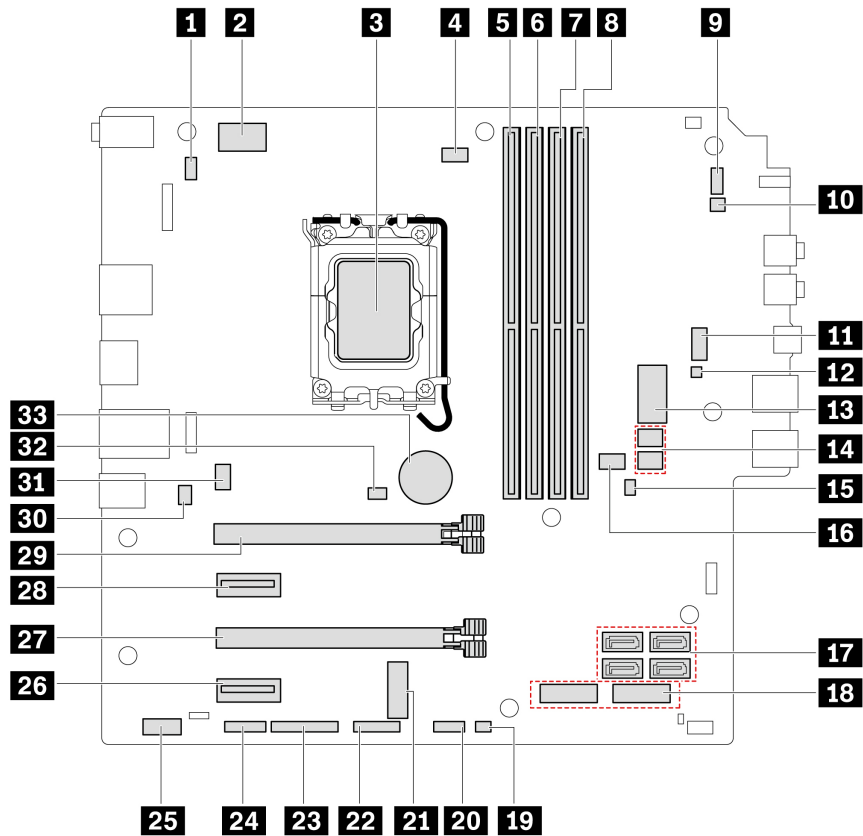
- M.2 solid-state drive\*
- M.2 solid-state drive bracket, heat sink, and thermal pad\*
- Memory module
- Chassis rubber feet
- Keyboard\*
- Mouse\*
- Power cord

**Optional-service CRUs**

- Card reader\*
- Card reader bracket\*
- PCIe card\*
- Fiber modules of NVIDIA ConnectX-6 Ethernet Adapter card\*
- Flexible I/O port card with bracket\*
- Internal speaker
- M.2 solid-state drive holder\*
- E-lock\*

\* for selected models

## System board illustration



Item	Item
<b>1</b> PS/2 keyboard and mouse connector	<b>2</b> 8-pin power connector
<b>3</b> Microprocessor socket	<b>4</b> Microprocessor fan connector
<b>5</b> Memory slot (DIMM1)	<b>6</b> Memory slot (DIMM2)
<b>7</b> Memory slot (DIMM3)	<b>8</b> Memory slot (DIMM4)
<b>9</b> Power button connector	<b>10</b> Internal speaker connector
<b>11</b> Auxiliary fan connector 1 (front fan)	<b>12</b> ThinkCentre LED connector
<b>13</b> 10-pin power connector	<b>14</b> SATA power connectors
<b>15</b> Clear CMOS (Complementary Metal Oxide Semiconductor)/Recovery jumper	<b>16</b> Auxiliary fan connector 2 (side fan)
<b>17</b> SATA connectors	<b>18</b> M.2 solid-state drive slots
<b>19</b> Thermal sensor connector	<b>20</b> Front USB connector 2
<b>21</b> M.2 Wi-Fi card slot	<b>22</b> Front USB connector 1
<b>23</b> Parallel connector	<b>24</b> Serial (COM) connector
<b>25</b> Thunderbolt™ connector	<b>26</b> PCIe x1 card slot
<b>27</b> PCIe x16 Gen 4 card slot (link width x4)	<b>28</b> PCIe x1 card slot
<b>29</b> PCIe x16 Gen 4 graphics card slot	<b>30</b> E-lock connector
<b>31</b> E-lock connector	
<b>32</b> E-lock connector	
<b>33</b> E-lock connector	

Item	Item
<b>B1</b> System fan connector (rear fan)	<b>B2</b> Cover presence switch connector (intrusion switch connector)
<b>B3</b> Coin-cell battery	

## Left side cover

### Prerequisite

Before you start, read *Generic Safety and Compliance Notices*, and print the following instructions.

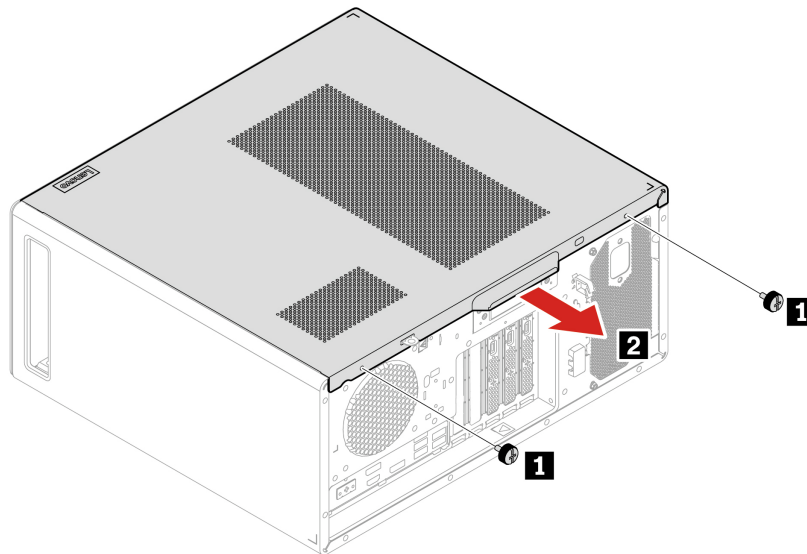


Before you open the left side cover, turn off the computer and wait several minutes until the computer is cool.

For access, do the following:

1. Remove any media from the drives and turn off all connected devices and the computer.
2. Disconnect all power cords from electrical outlets and disconnect all cables from the computer.
3. Unlock any locking device that secures the left side cover.
4. Lay down the computer to place the left side cover facing up.

### Removal steps



Step	Screw (quantity)	Torque
<b>1</b>	#6-32 × 7.5 mm (0.3 inches), Nickel coated (2)	0.56 ± 0.05 Nm (5.75 ± 0.57 kgf-cm)

**Note:** If a locking device is available, use it to lock the computer after installing the left side cover.

---

## Slim optical drive

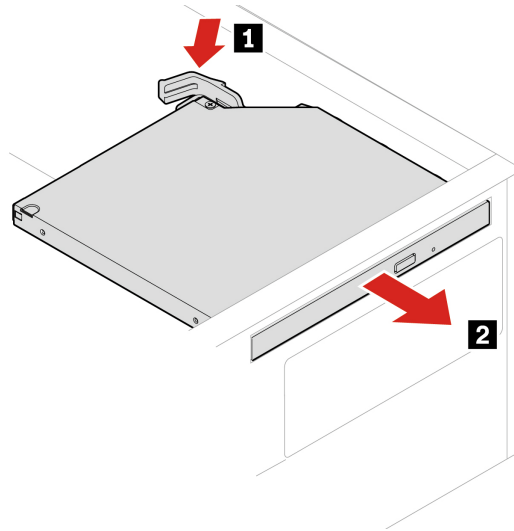
### Prerequisite

Before you start, read *Generic Safety and Compliance Notices*, and print the following instructions.

For access, do the following:

1. Remove the “Left side cover” on page 26.
2. Disconnect the SATA signal cable and the SATA power cable from the slim optical drive.

### Removal steps



---

## Slim-optical-drive latch

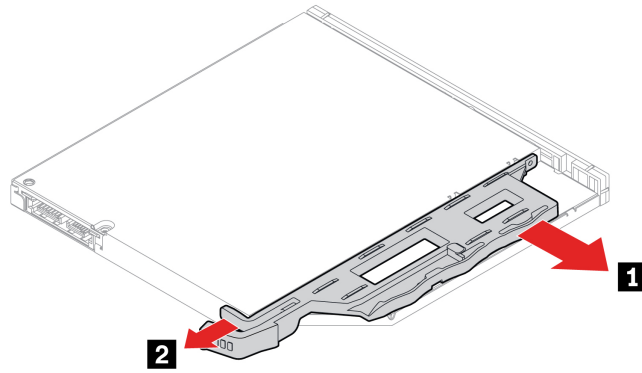
### Prerequisite

Before you start, read *Generic Safety and Compliance Notices*, and print the following instructions.

For access, remove these parts in order, if any:

- “Left side cover” on page 26
- “Slim optical drive” on page 27

## Removal steps



---

## Slim-optical-drive bezel, cage, and front cover assembly

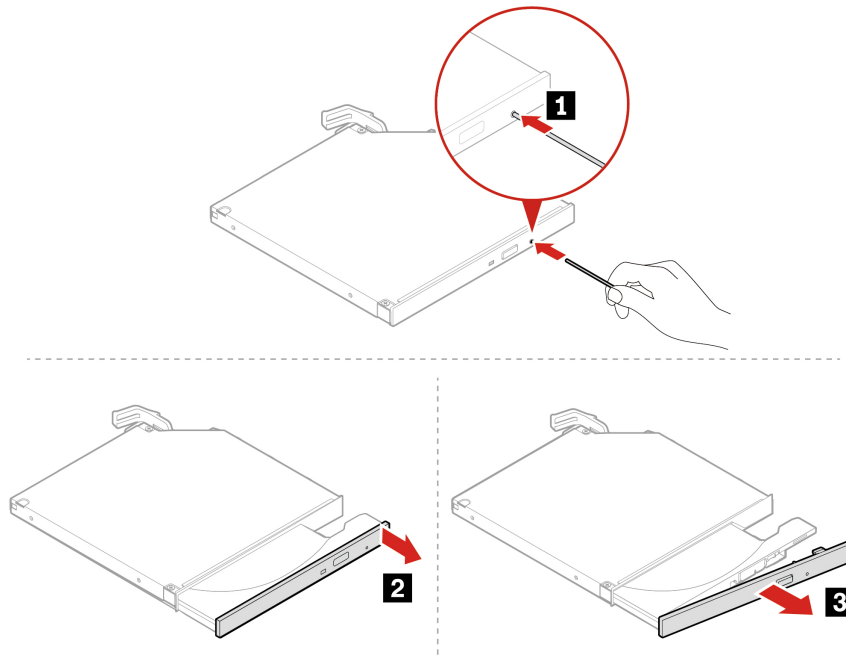
### Prerequisite

Before you start, read *Generic Safety and Compliance Notices*, and print the following instructions.

### Removal steps of the slim-optical-drive bezel

For access, remove these parts in order, if any:

- “Left side cover” on page 26
- “Slim optical drive” on page 27



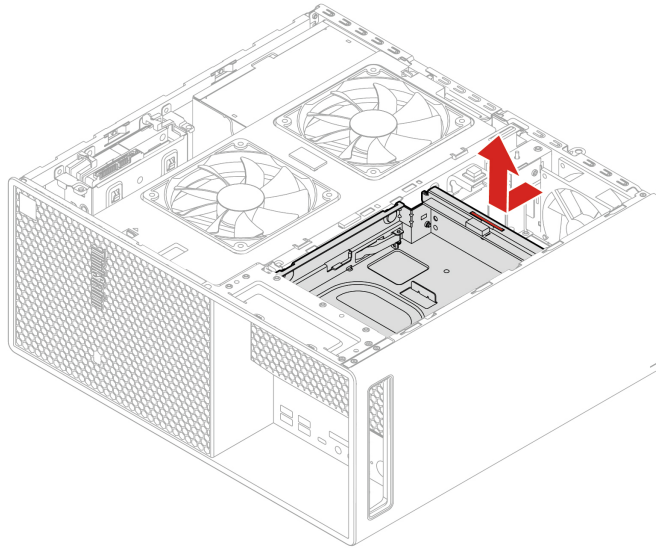
### Removal steps of the slim-optical-drive cage

For access, remove these parts in order, if any:

- “Left side cover” on page 26



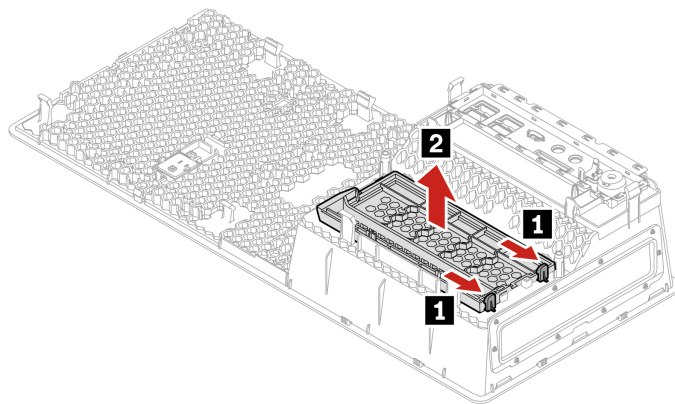
- “Slim optical drive” on page 27



### Removal steps of the slim-optical-drive front cover

For access, remove these parts in order:

- “Left side cover” on page 26
- “Front bezel” on page 41



---

## Primary storage drive

**Note:** Before removing an old storage drive, safely eject the old storage drive from the operating system first. For more information, see the operating system help system.

### Prerequisite

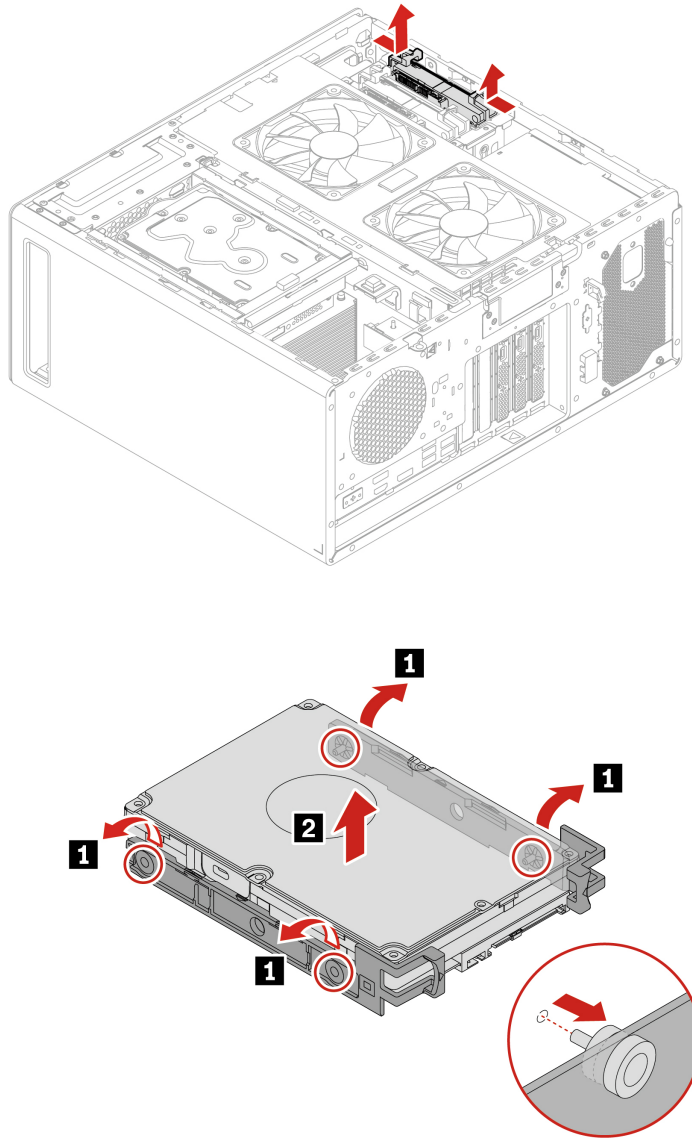
Before you start, read *Generic Safety and Compliance Notices*, and print the following instructions.

**Attention:** The internal storage drive is sensitive. Inappropriate handling might cause damage and permanent loss of data. When handling the internal storage drive, observe the following guidelines:

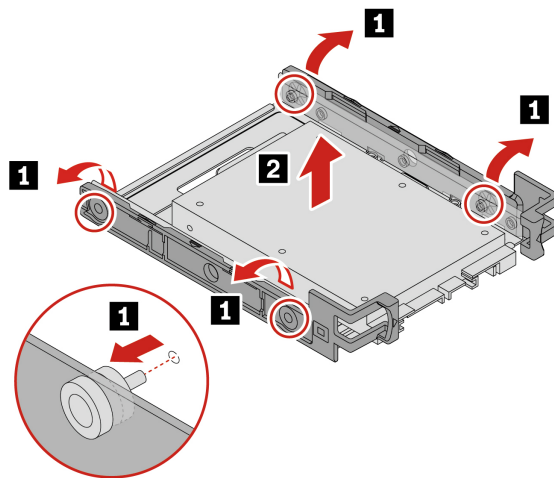
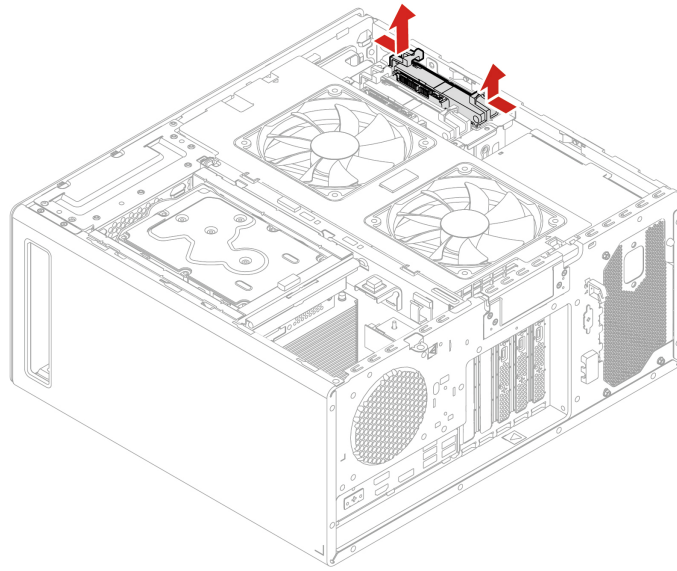
- Replace the internal storage drive only for upgrade or repair. The internal storage drive is not designed for frequent changes or replacement.
- Before replacing the internal storage drive, make a backup copy of all the data that you want to keep.
- Do not touch the contact edge of the internal storage drive. Otherwise, the internal storage drive might get damaged.
- Do not apply pressure to the internal storage drive.
- Do not make the internal storage drive subject to physical shocks or vibration. Put the internal storage drive on a soft material, such as cloth, to absorb physical shocks.

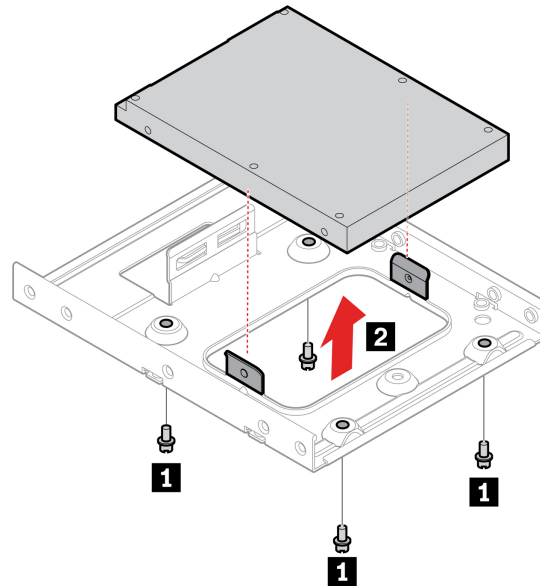
For access, remove the “Left side cover” on page 26.

### Removal steps of 3.5-inch storage drive



## Removal steps of 2.5-inch storage drive and storage drive converter





Step	Screw (quantity)	Torque
<b>1</b>	#6-32 × 5 mm (0.2 inches), Nickel coated (4)	0.56 ± 0.05 Nm (5.75 ± 0.57 kgf-cm)

## Secondary storage drive cage

**Note:** Before removing an old storage drive, safely eject the old storage drive from the operating system first. For more information, see the operating system help system.

### Prerequisite

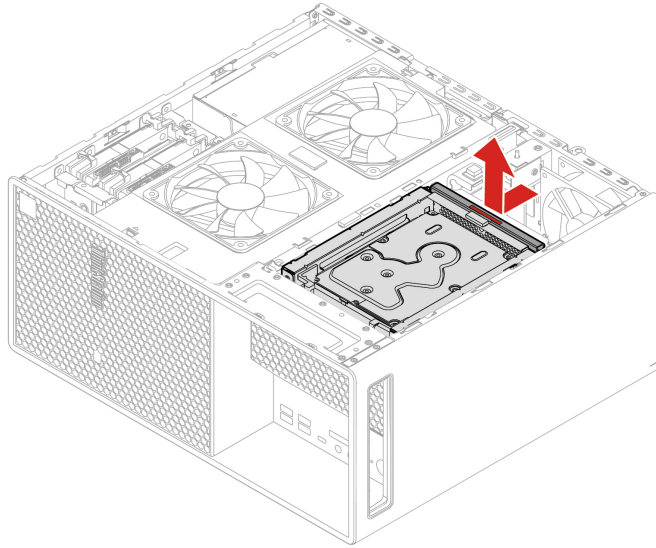
Before you start, read *Generic Safety and Compliance Notices*, and print the following instructions.

**Attention:** The internal storage drive is sensitive. Inappropriate handling might cause damage and permanent loss of data. When handling the internal storage drive, observe the following guidelines:

- Replace the internal storage drive only for upgrade or repair. The internal storage drive is not designed for frequent changes or replacement.
- Before replacing the internal storage drive, make a backup copy of all the data that you want to keep.
- Do not touch the contact edge of the internal storage drive. Otherwise, the internal storage drive might get damaged.
- Do not apply pressure to the internal storage drive.
- Do not make the internal storage drive subject to physical shocks or vibration. Put the internal storage drive on a soft material, such as cloth, to absorb physical shocks.

For access, remove the “Left side cover” on page 26.

## Removal step



---

## Secondary storage drive

**Note:** Before removing an old storage drive, safely eject the old storage drive from the operating system first. For more information, see the operating system help system.

### Prerequisite

Before you start, read *Generic Safety and Compliance Notices*, and print the following instructions.

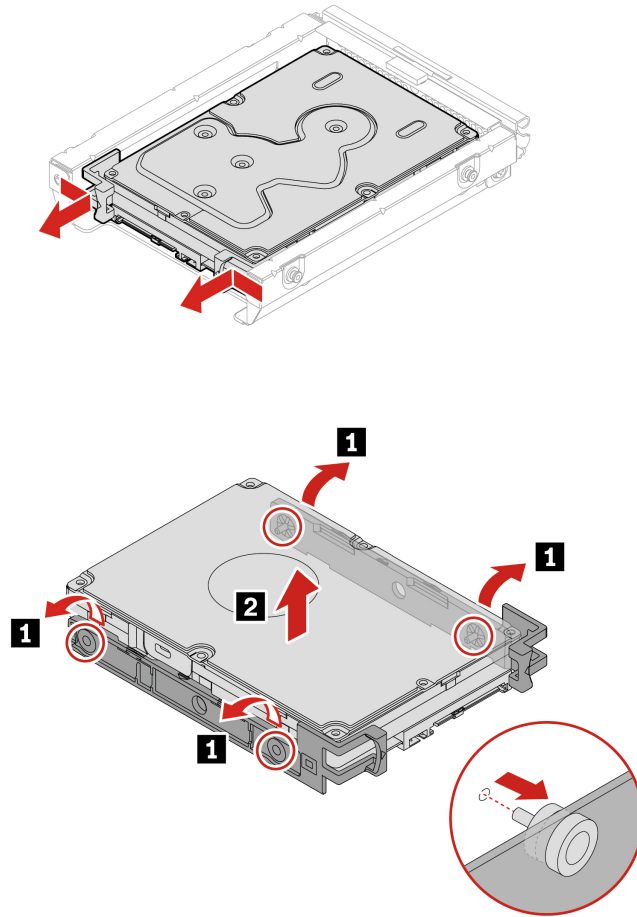
**Attention:** The internal storage drive is sensitive. Inappropriate handling might cause damage and permanent loss of data. When handling the internal storage drive, observe the following guidelines:

- Replace the internal storage drive only for upgrade or repair. The internal storage drive is not designed for frequent changes or replacement.
- Before replacing the internal storage drive, make a backup copy of all the data that you want to keep.
- Do not touch the contact edge of the internal storage drive. Otherwise, the internal storage drive might get damaged.
- Do not apply pressure to the internal storage drive.
- Do not make the internal storage drive subject to physical shocks or vibration. Put the internal storage drive on a soft material, such as cloth, to absorb physical shocks.

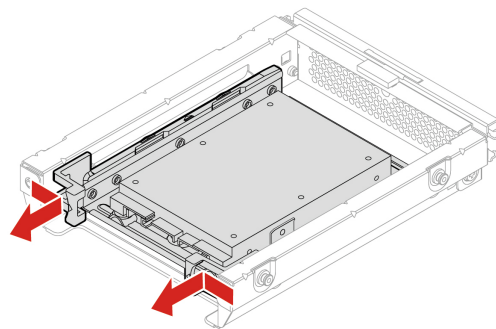
For access, remove these parts in order:

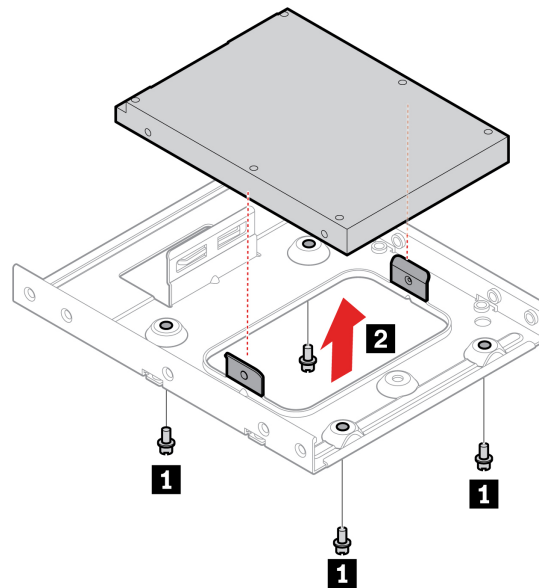
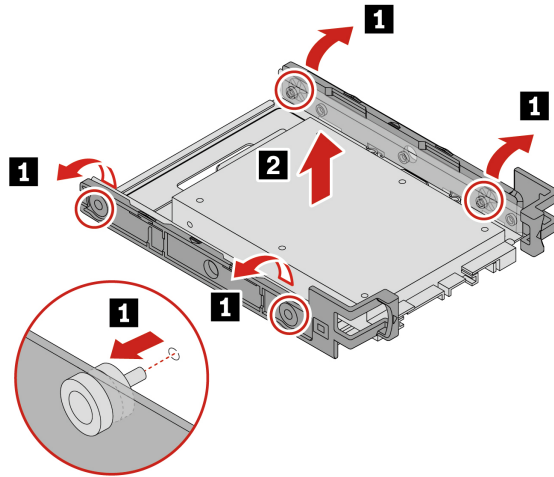
- “Left side cover” on page 26
- “Secondary storage drive cage” on page 32

### Removal steps of 3.5-inch storage drive



### Removal steps of 2.5-inch storage drive and storage drive converter





Step	Screw (quantity)	Torque
<b>1</b>	#6-32 × 5 mm (0.2 inches), Nickel coated (4)	0.56 ± 0.05 Nm (5.75 ± 0.57 kgf-cm)

## Storage drive in the front-access storage enclosure

### Notes:

- Some computer models might not be shipped with a front-access storage enclosure. In this case, there will be a dummy bezel on the front bezel.
- Before removing an old storage drive, safely eject the old storage drive from the operating system first. For more information, see the operating system help system.

### Prerequisite

Before you start, read *Generic Safety and Compliance Notices*, and print the following instructions.

**Attention:** The internal storage drive is sensitive. Inappropriate handling might cause damage and permanent loss of data. When handling the internal storage drive, observe the following guidelines:

- Replace the internal storage drive only for upgrade or repair. The internal storage drive is not designed for frequent changes or replacement.
- Before replacing the internal storage drive, make a backup copy of all the data that you want to keep.
- Do not touch the contact edge of the internal storage drive. Otherwise, the internal storage drive might get damaged.
- Do not apply pressure to the internal storage drive.
- Do not make the internal storage drive subject to physical shocks or vibration. Put the internal storage drive on a soft material, such as cloth, to absorb physical shocks.

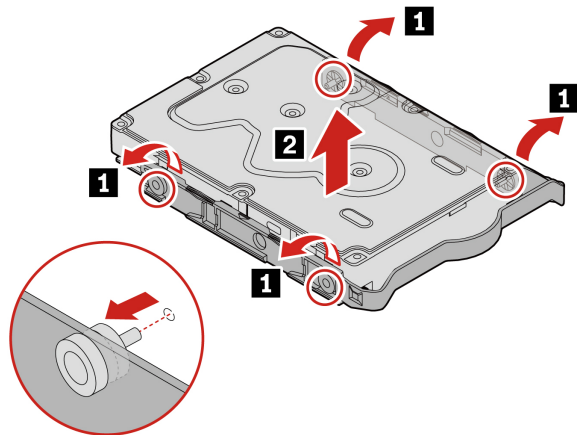
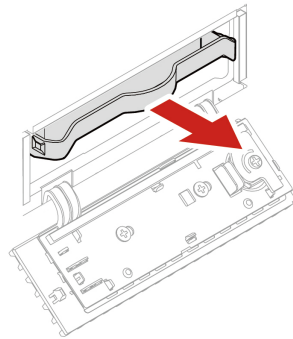
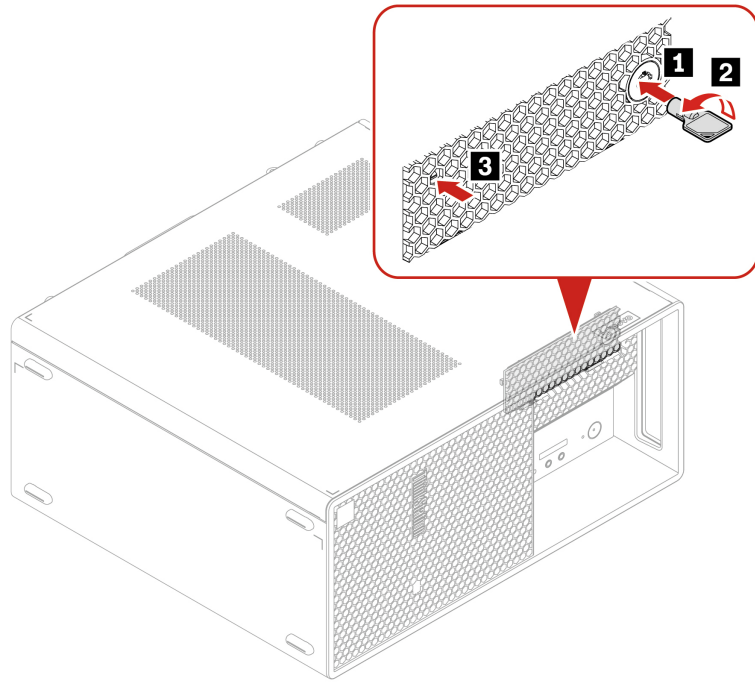
You can install or replace a storage drive in the front-access storage enclosure. The storage drive also can be hot-swappable, which means that you can install or replace the drive without even turning off your computer. Therefore, lock the enclosure cover to prevent the unexpected removal. The keys are attached at the rear of the computer. Store the keys in a secure place.

The storage drive in the front-access storage enclosure is hot-swappable only when the following requirements are met. If any of the requirements are not met, do not install or replace the storage drive when the computer is turned on. Otherwise, data on the storage drive might get damaged.

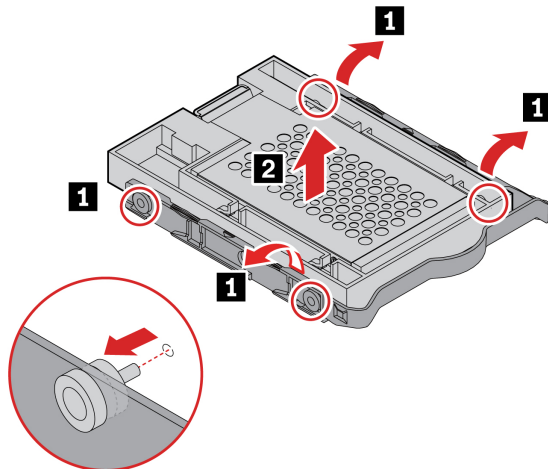
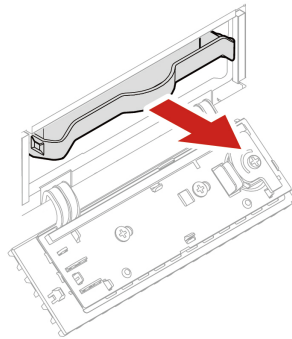
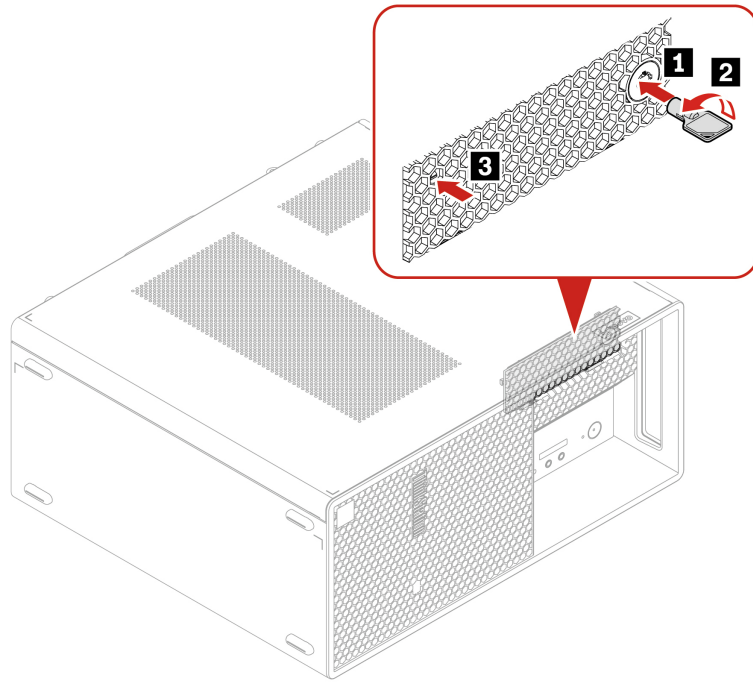
- The eSATA mode of the SATA 4 connector is enabled in BIOS by doing the following:
  1. Restart the computer. When the logo screen is displayed, press F1 or Fn+F1.
  2. Select **Devices → Storage Setup → SATA Drive 4 Hot-Plug Support** and press Enter.
  3. Select **Enabled** and press Enter.
  4. Press F10 or Fn+F10 to save the changes and exit.
- The SATA cable of the front-access storage enclosure is connected to the SATA 4 connector on the system board.
- The operating system of your computer does not reside on the storage drive installed in the front-access storage enclosure.

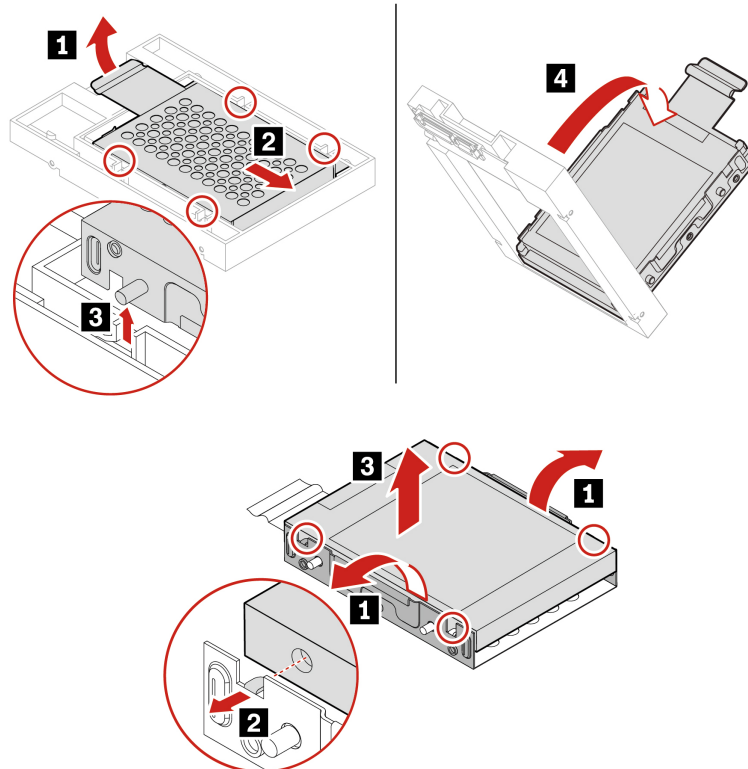


## Removal steps of the 3.5-inch storage drive



## Removal steps of the 2.5-inch storage drive and storage drive converter





## Front-access storage enclosure

### Notes:

- Some computer models might not be shipped with a front-access storage enclosure. In this case, there will be a dummy bezel on the front bezel.
- Before removing an old storage drive, safely eject the old storage drive from the operating system first. For more information, see the operating system help system.

### Prerequisite

Before you start, read *Generic Safety and Compliance Notices*, and print the following instructions.

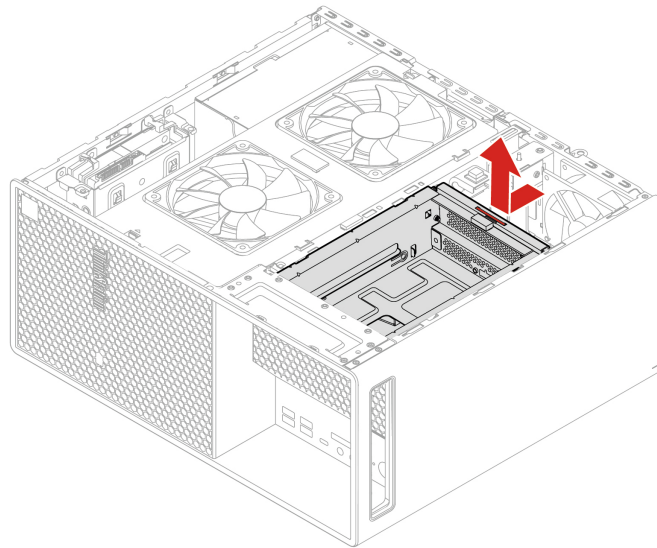
**Attention:** The internal storage drive is sensitive. Inappropriate handling might cause damage and permanent loss of data. When handling the internal storage drive, observe the following guidelines:

- Replace the internal storage drive only for upgrade or repair. The internal storage drive is not designed for frequent changes or replacement.
- Before replacing the internal storage drive, make a backup copy of all the data that you want to keep.
- Do not touch the contact edge of the internal storage drive. Otherwise, the internal storage drive might get damaged.
- Do not apply pressure to the internal storage drive.
- Do not make the internal storage drive subject to physical shocks or vibration. Put the internal storage drive on a soft material, such as cloth, to absorb physical shocks.

For access, remove these parts in order:

- “Left side cover” on page 26
- “Storage drive in the front-access storage enclosure” on page 35

## Removal step



---

## Side fan with bracket

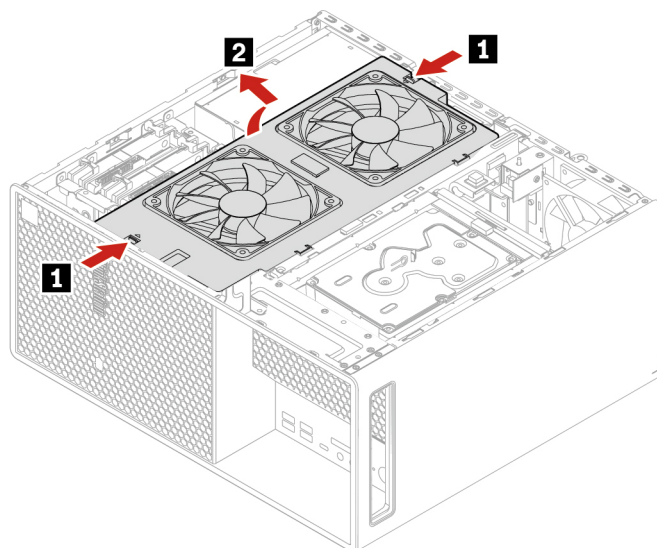
### Prerequisite

Before you start, read *Generic Safety and Compliance Notices*, and print the following instructions.

For access, do the following:

1. Remove the “Left side cover” on page 26.
2. Disconnect the side fan cable from the side fan connector on the system board.

### Removal procedure



---

## Front fan

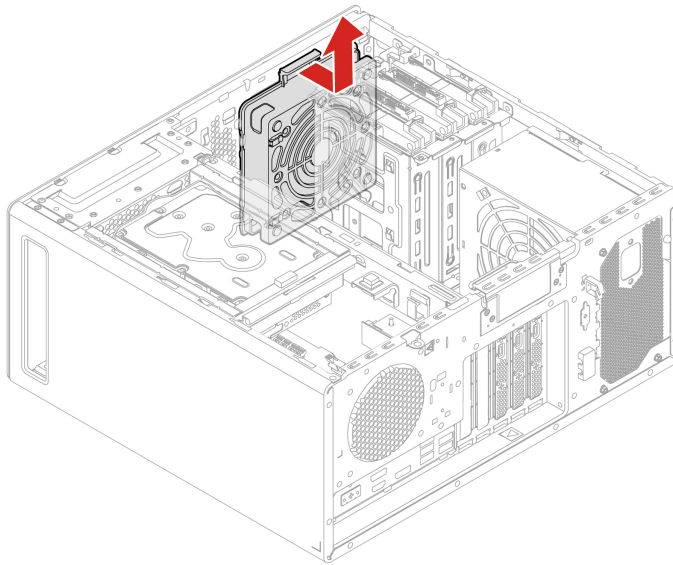
### Prerequisite

Before you start, read *Generic Safety and Compliance Notices*, and print the following instructions.

For access, do the following:

1. Remove these parts in order:
  - “Left side cover” on page 26
  - “Side fan with bracket” on page 40
2. Disconnect the front fan cable from the front fan connector on the system board.

### Removal steps



---

## Front bezel

### Prerequisite

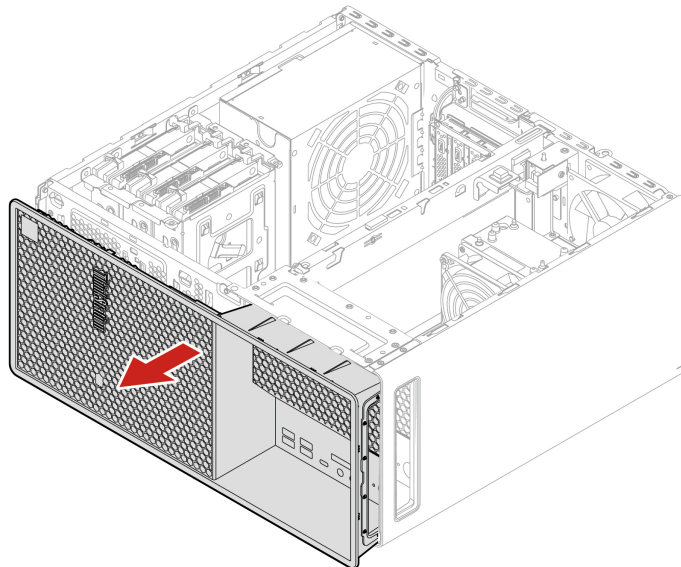
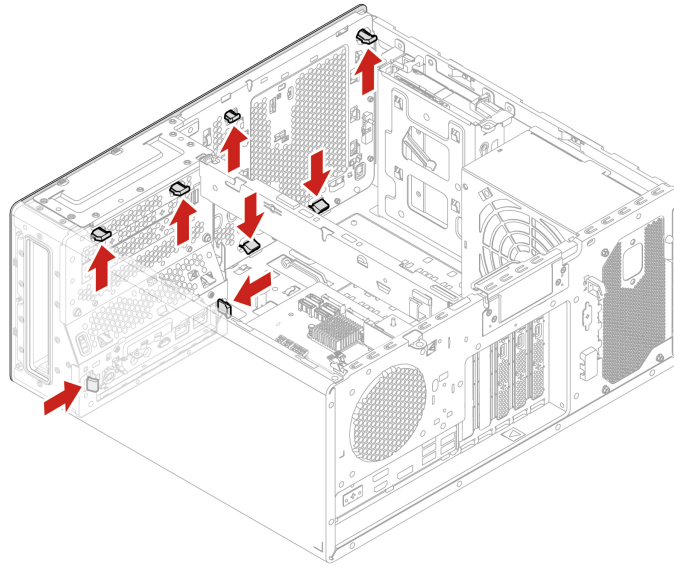
Before you start, read *Generic Safety and Compliance Notices*, and print the following instructions.

For access, remove these parts in order, if any:

- “Left side cover” on page 26
- “Slim optical drive” on page 27
- “Slim-optical-drive latch” on page 27
- “Slim-optical-drive bezel, cage, and font cover assembly” on page 28
- “Secondary storage drive cage” on page 32
- “Secondary storage drive” on page 33
- “Storage drive in the front-access storage enclosure” on page 35
- “Front-access storage enclosure” on page 39

- “Side fan with bracket” on page 40
- “Front fan” on page 41

### Removal steps



---

### Front-access storage enclosure dummy bezel

**Note:** Some computer models might not be shipped with a front-access storage enclosure. In this case, remove the dummy bezel for front-access storage enclosure first.

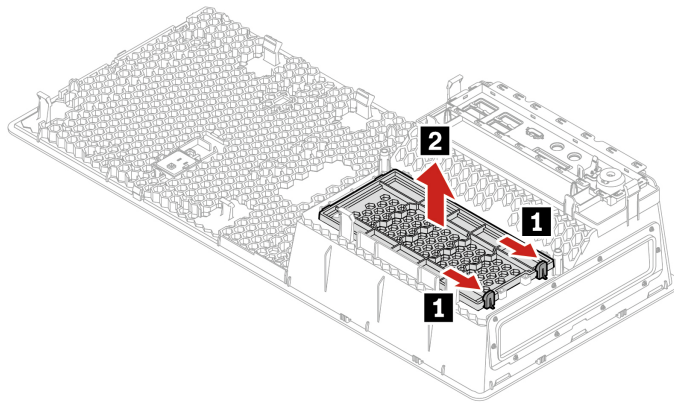
## Prerequisite

Before you start, read *Generic Safety and Compliance Notices*, and print the following instructions.

For access, remove these parts in order, if any:

- “Left side cover” on page 26
- “Slim optical drive” on page 27
- “Slim-optical-drive latch” on page 27
- “Slim-optical-drive bezel, cage, and front cover assembly” on page 28
- “Secondary storage drive cage” on page 32
- “Secondary storage drive” on page 33
- “Storage drive in the front-access storage enclosure” on page 35
- “Front-access storage enclosure” on page 39
- “Side fan with bracket” on page 40
- “Front fan” on page 41
- “Front bezel” on page 41

## Removal steps



---

## Card reader

### Prerequisite

Before you start, read *Generic Safety and Compliance Notices*, and print the following instructions.

For access, remove these parts in order, if any:

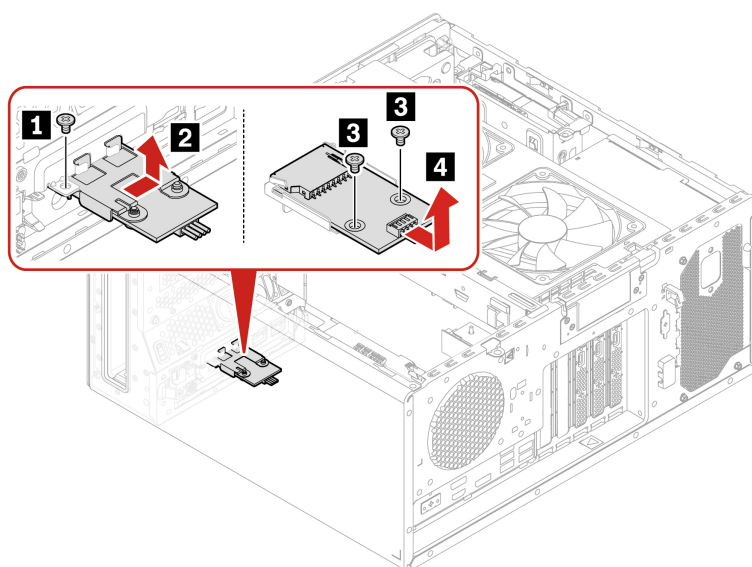
- “Left side cover” on page 26
- “Slim optical drive” on page 27
- “Slim-optical-drive latch” on page 27
- “Slim-optical-drive bezel, cage, and front cover assembly” on page 28
- “Secondary storage drive cage” on page 32
- “Secondary storage drive” on page 33



- “Storage drive in the front-access storage enclosure” on page 35
- “Front-access storage enclosure” on page 39

Disconnect the card reader cable from the card reader.

### Removal steps



Step	Screw (quantity)	Torque
<b>1</b>	#6-32 × 5 mm (0.2 inches), Nickel coated (1)	0.56 ± 0.05 Nm (5.75 ± 0.57 kgf-cm)
<b>3</b>	M3 × 5 mm (0.2 inches), Zn coated (2)	0.56 ± 0.05 Nm (5.75 ± 0.57 kgf-cm)

## PCIe card

By reading this section, you will learn to replace PCIe cards, including graphics cards, in your computer.

### PCIe card bracket

**Note:** Some computer models might not be shipped with PCIe card. In this case, the PCIe card bracket in the following illustration is removable.

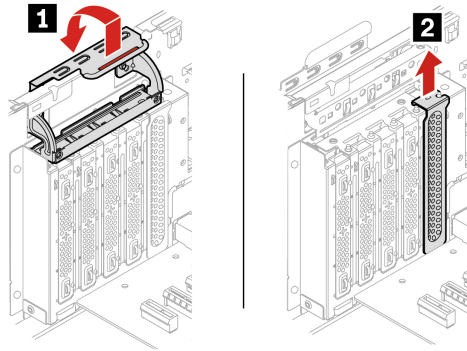
#### Prerequisite

Before you start, read *Generic Safety and Compliance Notices*, and print the following instructions.

For access, remove the “Left side cover” on page 26.



## Removal steps



## PCIe card

### Prerequisite

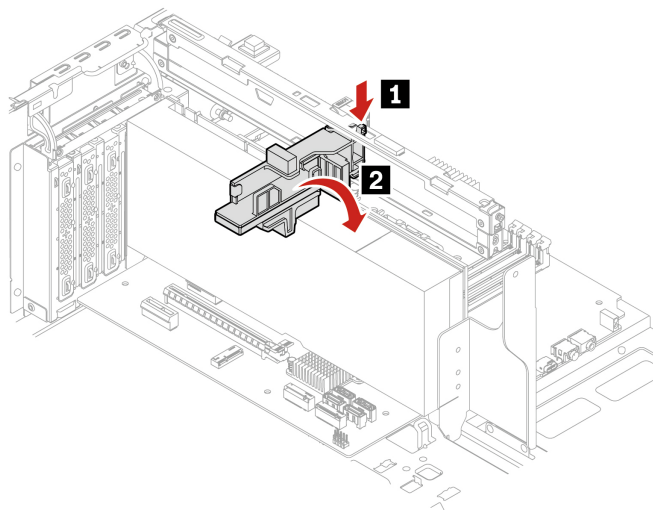
Before you start, read *Generic Safety and Compliance Notices*, and print the following instructions.

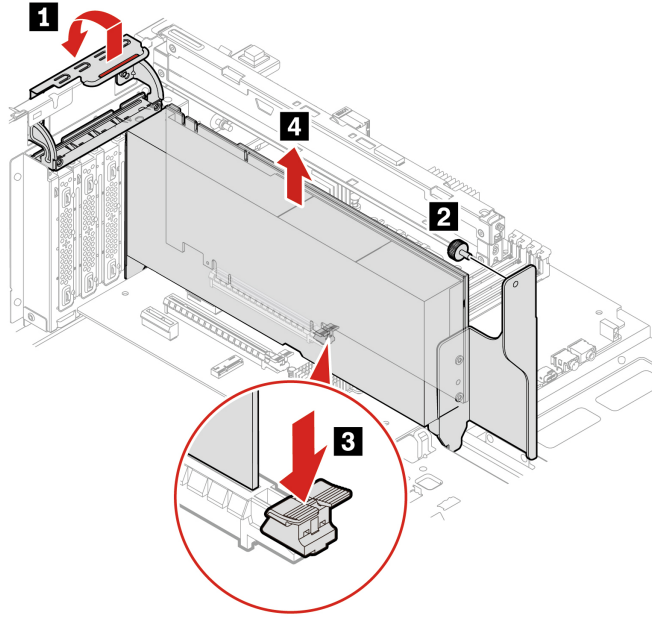
For access, remove the “Left side cover” on page 26.

### Removal steps

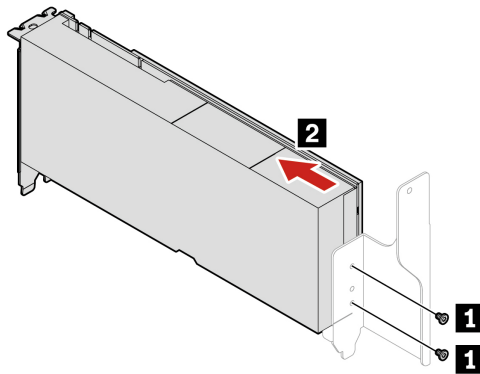
- Type 1

**Note:** The PCIe card retainer is only available on some graphics cards.



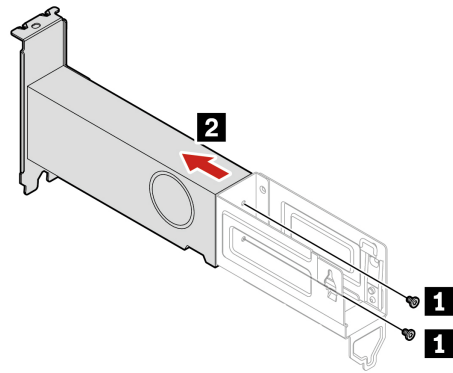
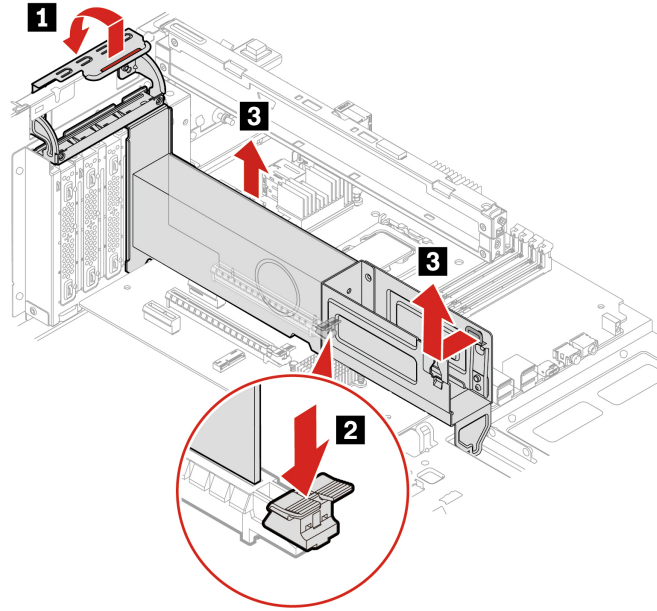


Step	Screw (quantity)	Torque
<b>2</b>	#6-32 × 7.5 mm (0.3 inches), Nickel coated (1)	0.33 ± 0.05 Nm (3.45 ± 0.57 kgf-cm)



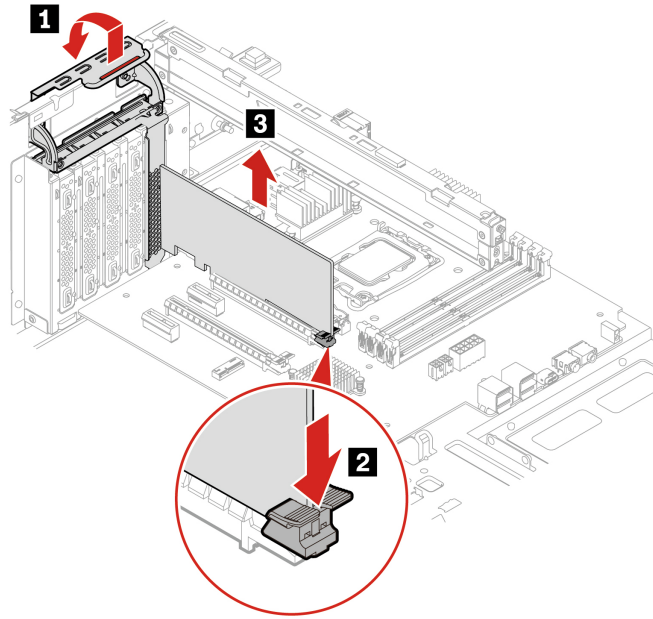
Step	Screw (quantity)	Torque
<b>1</b>	M3 × 5 mm (0.2 inches), Zn coated (2)	0.56 ± 0.05 Nm (5.75 ± 0.57 kgf-cm)

- Type 2

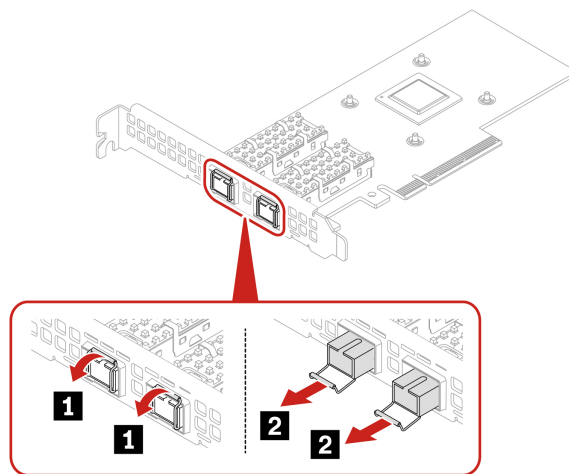


Step	Screw (quantity)	Torque
<b>1</b>	M3 × 5 mm (0.2 inches), Zn coated (2)	0.56 ± 0.05 Nm (5.75 ± 0.57 kgf-cm)

- Type 3



**Note:** For NVIDIA ConnectX-6 Ethernet Adapter card, the following fiber modules can be removed.

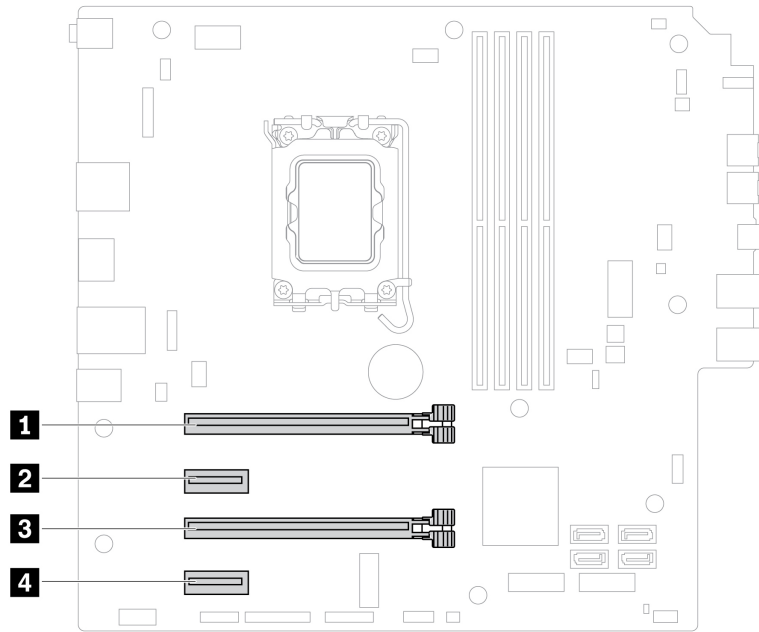


## PCIe card installation order and rules

Before installing PCIe card, you need to remove “PCIe card bracket” on page 44.

Install PCIe cards according to the corresponding slot types and the following installation order and rules:

### Installation order



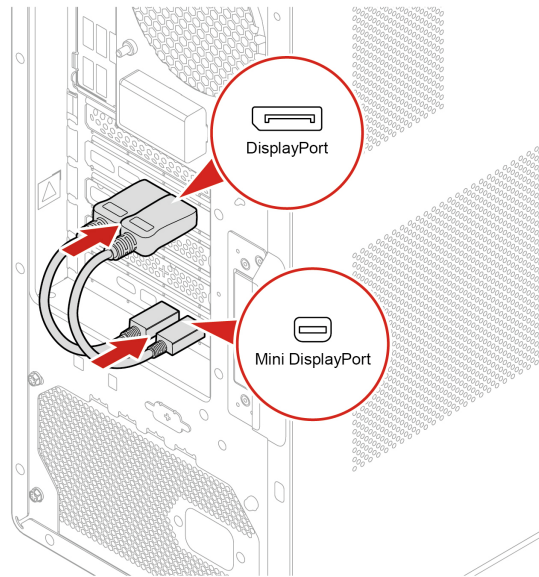
### Installation rules

- Install the Thunderbolt card to the PCIe card slot **3**.
- Install only discrete graphics card to the PCIe card slot **1**.
- Do not change the original installation slot of Geforce RTX 40X0 graphics card.
- If there is only one discrete graphics card, install it to the PCI-Express card slot **4**.
- If there are two discrete graphics cards,
  - Installation order: Install the one with higher power consumption to the PCI-Express card slot **1**, and install the other to the PCI-Express card slot **3**.
  - Removal order: Remove the one from the PCI-Express card slot **3**, and remove the other from the PCI-Express card slot **1**.
- Before installing a new graphics card, ensure that your computer power supply supports the maximum power consumption of the new graphics card.

Maximum power consumption of graphics card*	Required power supply of computer
higher than 300-watt	1100-watt
100-watt to 300-watt	750-watt
lower than 100-watt	500-watt

\* available at <https://smartfind.lenovo.com/>

## Cable connection for Thunderbolt card



---

## Flexible I/O port card

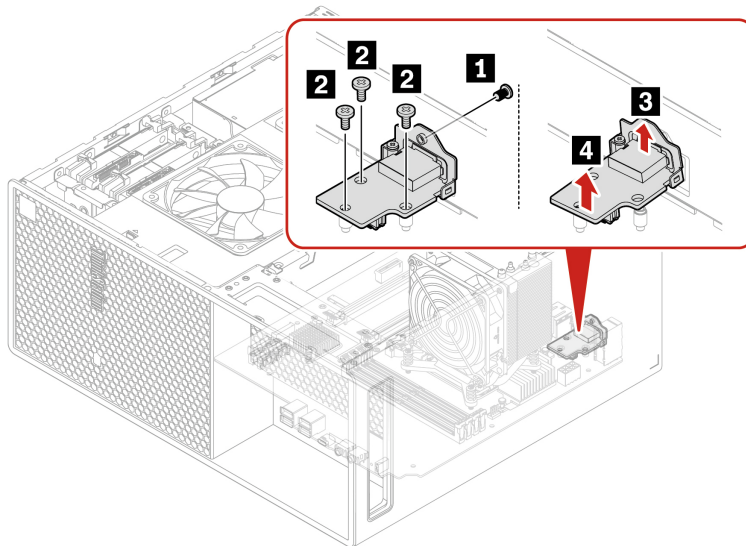
### Prerequisite

Before you start, read *Generic Safety and Compliance Notices*, and print the following instructions.

For access, remove the "Left side cover" on page 26.

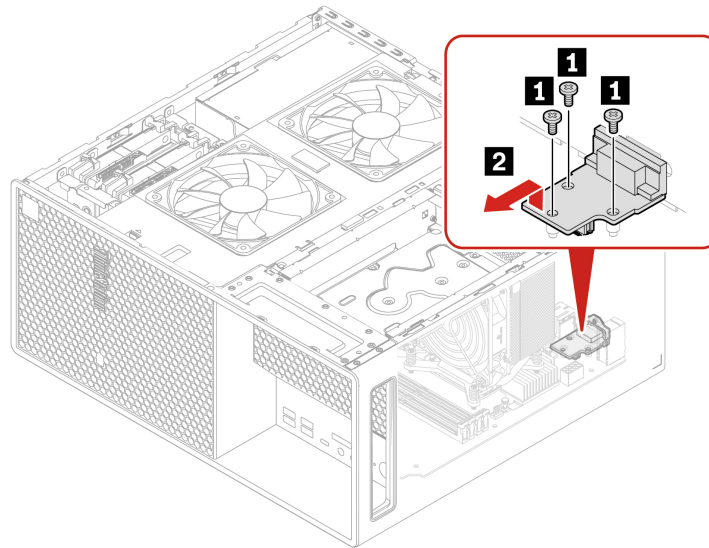
### Removal steps

- Type 1



Step	Screw (quantity)	Torque
<b>1</b>	M2-5 × 4 mm (0.16 inches), Nickel coated (1)	0.16 ± 0.05 Nm (1.72 ± 0.57 kgf-cm)
<b>2</b>	M3 × 3.2 mm (0.13 inches), Nickel coated (3)	0.56 ± 0.05 Nm (5.75 ± 0.57 kgf-cm)

- Type 2



Step	Screw (quantity)	Torque
<b>1</b>	M3 × 3.2 mm (0.13 inches), Nickel coated (3)	0.56 ± 0.05 Nm (5.75 ± 0.57 kgf-cm)

## Chassis beam

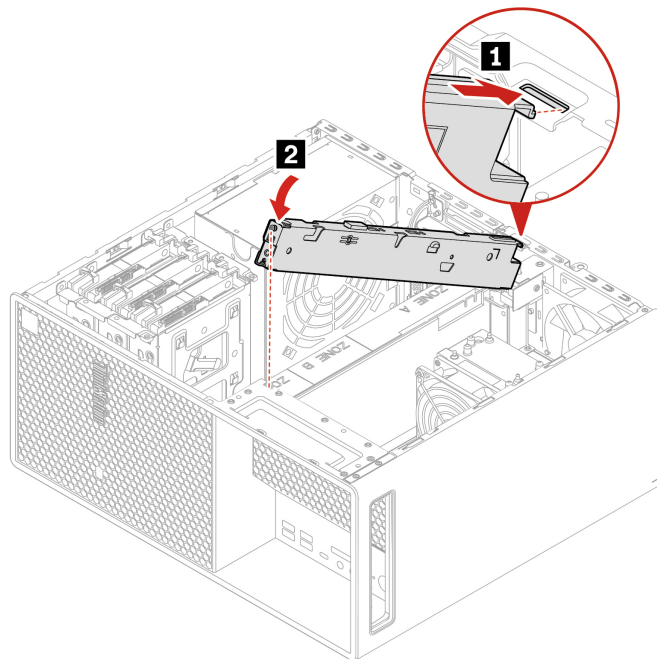
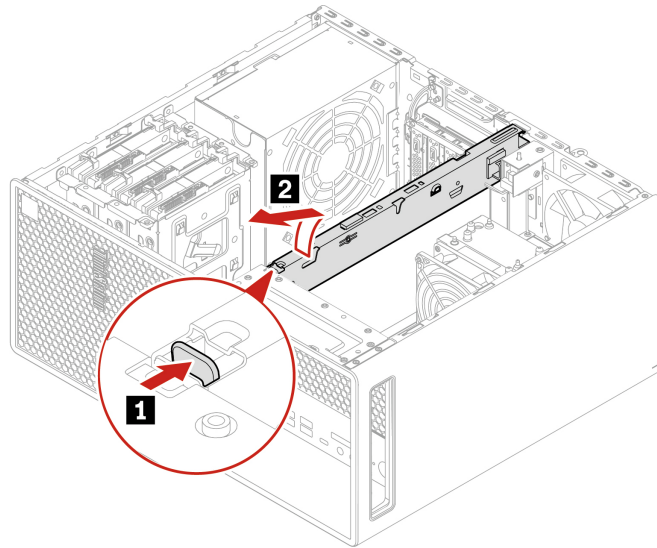
### Prerequisite

Before you start, read *Generic Safety and Compliance Notices*, and print the following instructions.

For access, remove these parts in order, if any:

- “Left side cover” on page 26
- “Side fan with bracket” on page 40
- “PCI-Express card bracket” on page 44
- “PCI-Express card” on page 45

## Replacement procedure



---

## Rear fan

### Prerequisite

Before you start, read *Generic Safety and Compliance Notices*, and print the following instructions.

For access, do the following:

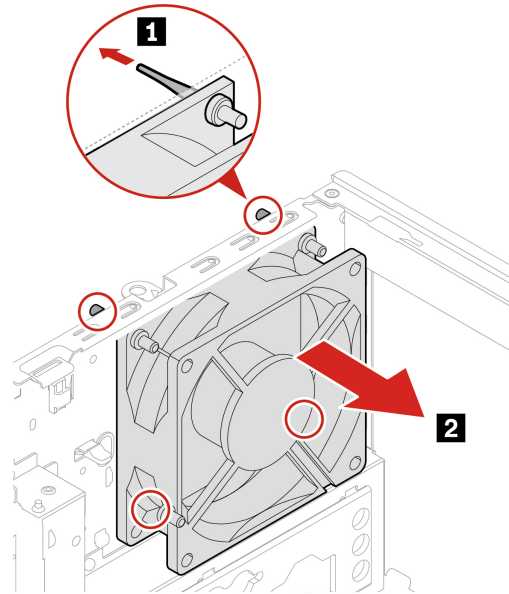
1. Remove the “Left side cover” on page 26.



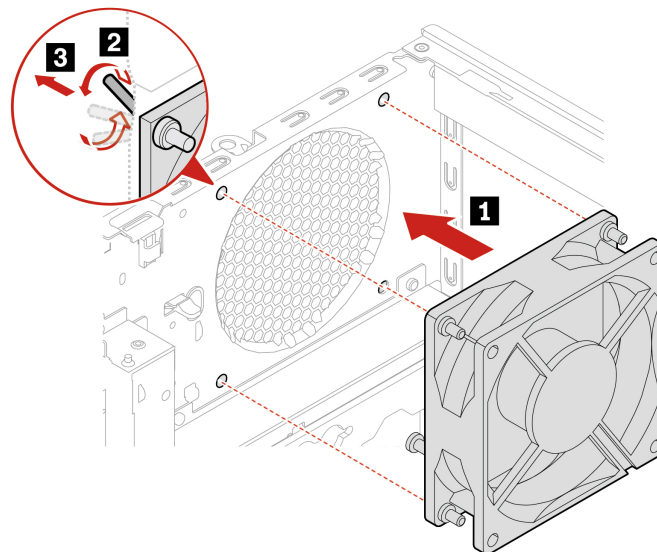
2. Disconnect the rear fan cable from the rear fan connector on the system board.

### Replacement procedure

**Note:** The rear fan is attached to the chassis by four rubber mounts. Stretch the tips of the rubber mounts and gently pull the rear fan assembly out of the chassis.



**Note:** Align the rubber mounts with the corresponding holes in the chassis and push the rubber mounts through the holes. Rotate and pull the tips of the rubber mounts until the rear fan assembly is secured.



---

## Cover presence switch

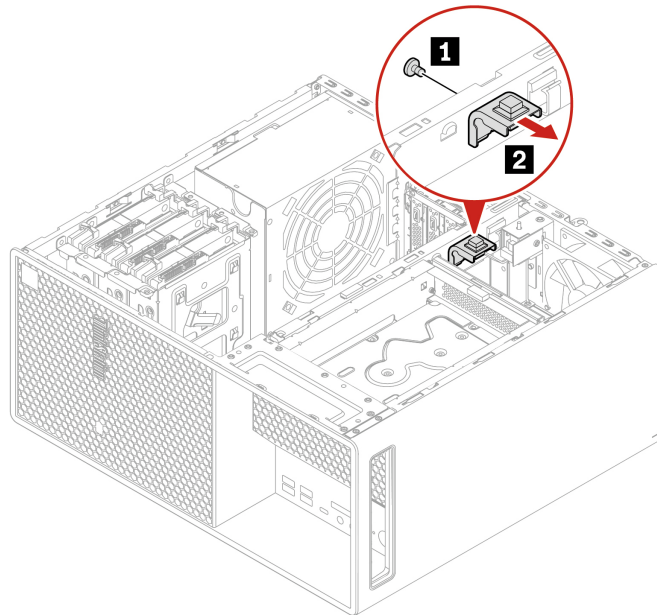
### Prerequisite

Before you start, read *Generic Safety and Compliance Notices*, and print the following instructions.

For access, do the following:

1. Remove “Left side cover” on page 26.
2. Disconnect the cover presence switch cable from the system board.

### Removal steps



Step	Screw (quantity)	Torque
<b>1</b>	#6-32 × 5 mm (0.2 inches), Nickel coated (1)	0.56 ± 0.05 Nm (5.75 ± 0.57 kgf-cm)

---

## Internal speaker

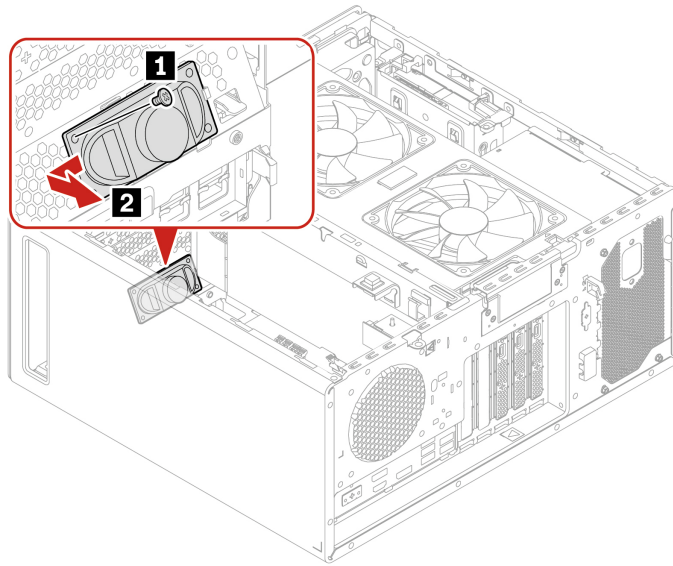
### Prerequisite

Before you start, read *Generic Safety and Compliance Notices*, and print the following instructions.

For access, do the following:

1. Remove the “Left side cover” on page 26.
2. Disconnect the internal speaker cable from the system board.

## Removal steps



Step	Screw (quantity)	Torque
1	#6-32 × 5 mm (0.2 inches), Nickel coated (1)	0.56 ± 0.05 Nm (5.75 ± 0.57 kgf-cm)

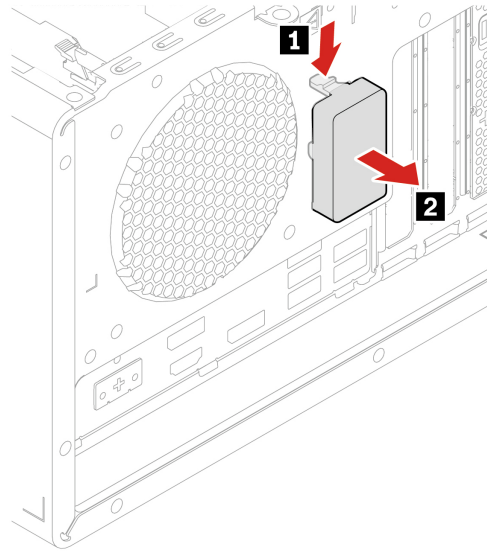
## Wi-Fi antenna cover

### Prerequisite

Before you start, read *Generic Safety and Compliance Notices*, and print the following instructions.

For access, remove the “Left side cover” on page 26.

## Removal steps



---

## M.2 solid-state drive and heat sink

### Prerequisite

Before you start, read *Generic Safety and Compliance Notices*, and print the following instructions.



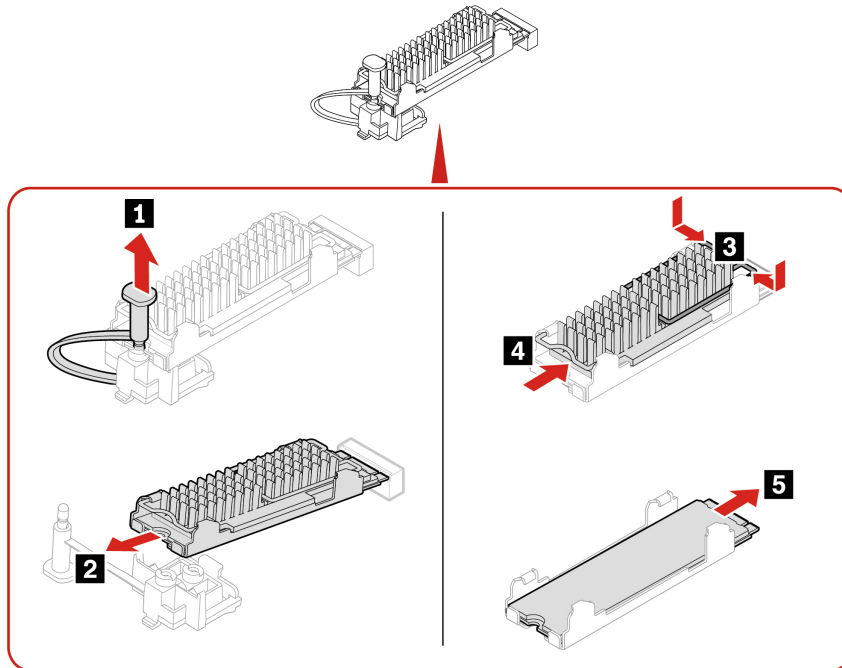
Before you open the computer cover, turn off the computer and wait several minutes until the computer is cool.

**Attention:** The internal storage drive is sensitive. Inappropriate handling might cause damage and permanent loss of data. When handling the internal storage drive, observe the following guidelines:

- Replace the internal storage drive only for upgrade or repair. The internal storage drive is not designed for frequent changes or replacement.
- Before replacing the internal storage drive, make a backup copy of all the data that you want to keep.
- Do not touch the contact edge of the internal storage drive. Otherwise, the internal storage drive might get damaged.
- Do not apply pressure to the internal storage drive.
- Do not make the internal storage drive subject to physical shocks or vibration. Put the internal storage drive on a soft material, such as cloth, to absorb physical shocks.

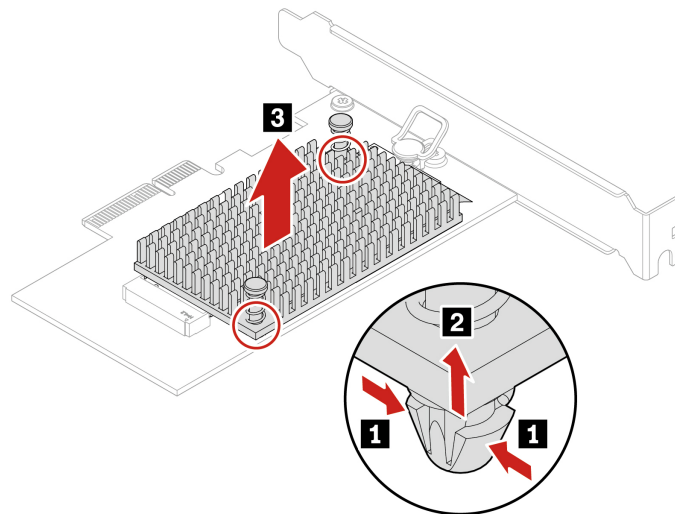
### Removal steps

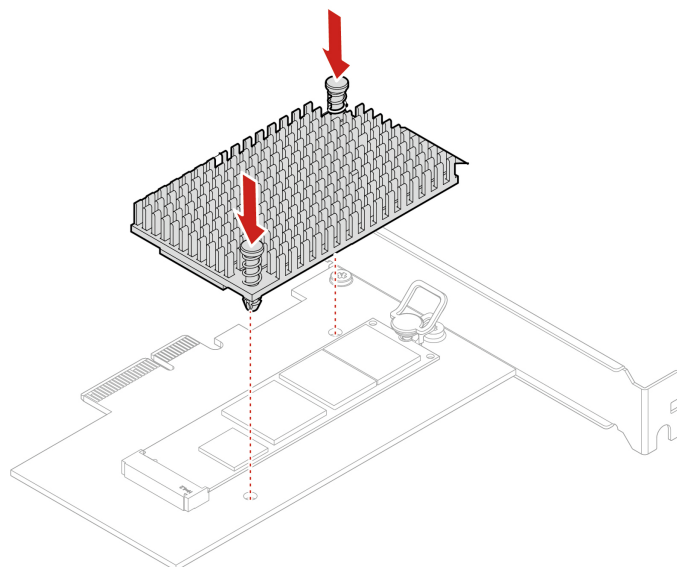
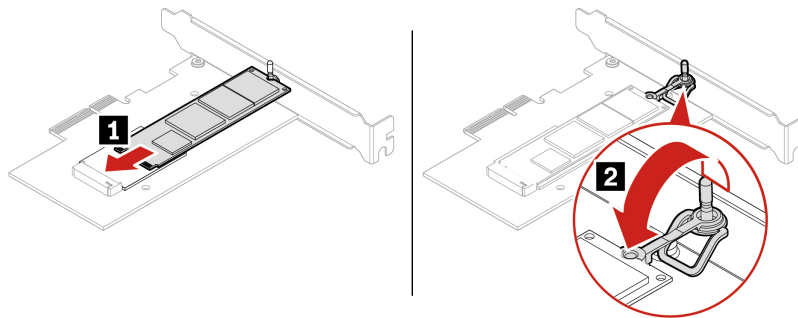
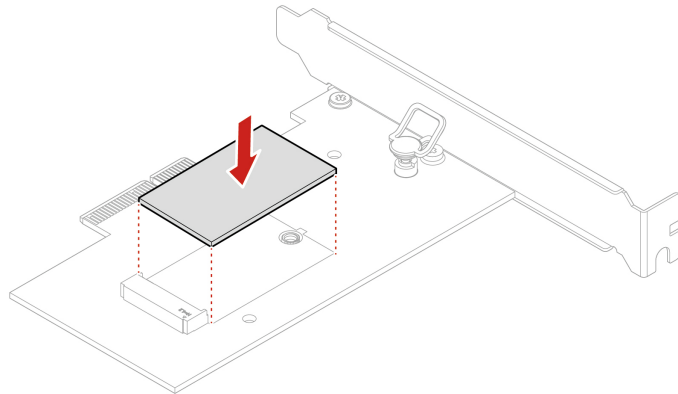
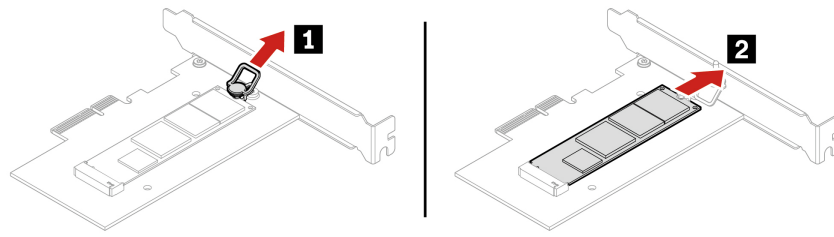
- Remove the “Left side cover” on page 26.
- Remove the M.2 solid-state drive and the heat sink.



**Replacement procedure of the M.2 solid-state drive in an M.2 solid-state drive PCIe adapter**

1. Remove the “Left side cover” on page 26.
2. Locate and remove the M.2 solid-state drive PCIe adapter from the PCIe card slot. See “PCI-Express card” on page 45.
3. Replace the M.2 solid-state drive and the heat sink.





---

## M.2 solid-state drive bracket

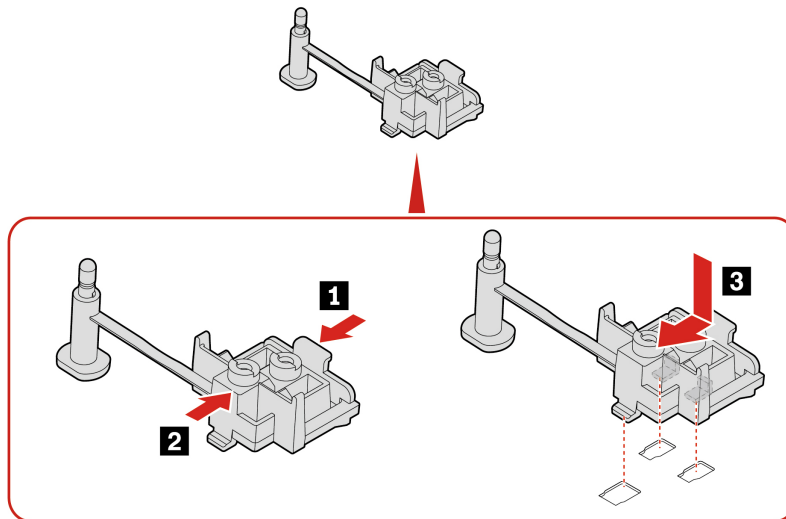
### Prerequisite

Before you start, read *Generic Safety and Compliance Notices*, and print the following instructions.

For access, remove these parts in order, if any:

- “Left side cover” on page 26
- “M.2 solid-state drive and heat sink” on page 56

### Removal steps



---

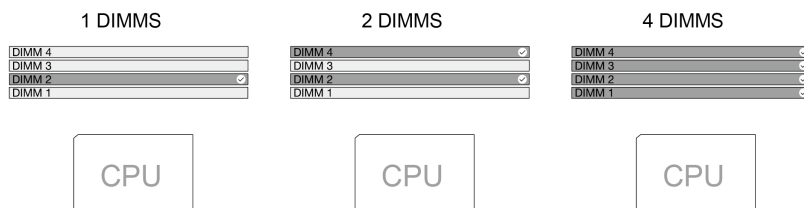
## Memory module

### Prerequisite

Before you start, read *Generic Safety and Compliance Notices*, and print the following instructions.

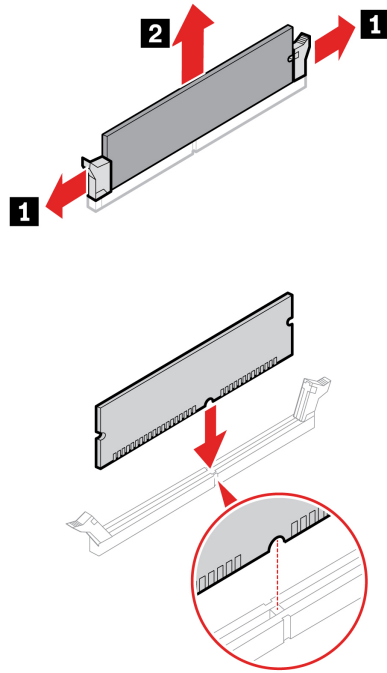
### Notes:

- Ensure that you remove or install memory modules at least one minute after disconnecting power cords from the system. It allows the system to be completely discharged of electricity and safe for handling memory modules.
- Ensure that you follow the installation order for memory modules shown in the following illustration.



For access, remove the “Left side cover” on page 26.

## Replacement procedure



**Note:** During the installation, ensure that you align the memory module to the slot and press down on both ends until the latches are fully engaged with a click.

---

## E-lock

### Prerequisite

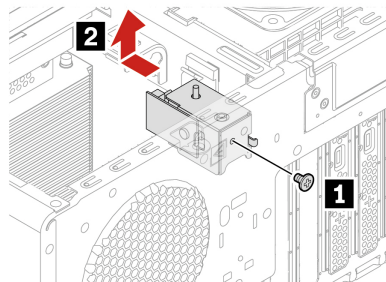
Before you start, read *Generic Safety and Compliance Notices*, and print the following instructions.

For access, do the following:

1. Remove the “Left side cover” on page 26.
2. Disconnect the E-lock cable from the system board.

**Note:** To remove the screws, you need a special tool (T15 star wrench).

### Removal steps





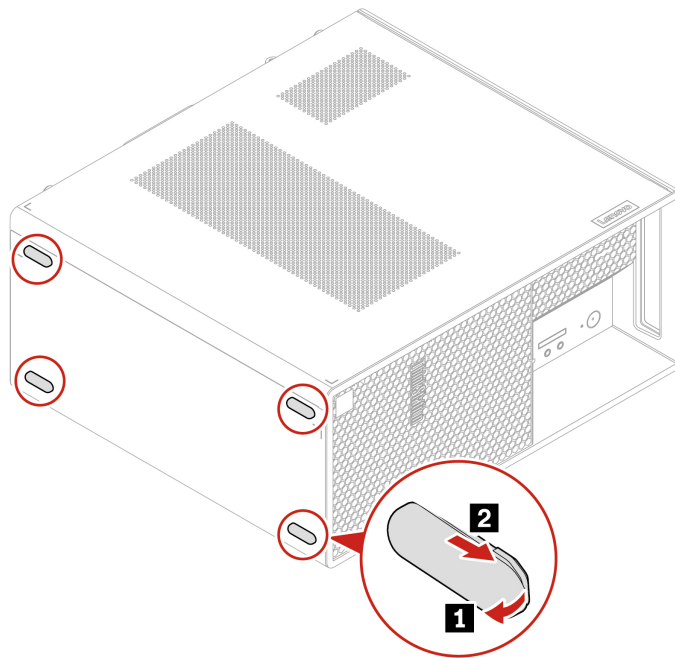
Step	Screw (quantity)	Torque
<b>1</b>	M3 × 5 mm (0.2 inches), Nickel coated (1)	0.56 ± 0.05 Nm (5.75 ± 0.57 kgf-cm)

## Chassis rubber foot

### Prerequisite

Before you start, read *Generic Safety and Compliance Notices*, and print the following instructions.

### Removal steps





---

## Chapter 7. Help and support

---

### Self-help resources

Use the following self-help resources to learn more about the computer and troubleshoot problems.

Resources	How to access?
Product documentation: <ul style="list-style-type: none"><li>• <i>Safety and Warranty Guide</i></li><li>• <i>Generic Safety and Compliance Notices</i></li><li>• <i>Setup Guide</i></li><li>• <i>This User Guide</i></li><li>• <i>Regulatory Notice</i></li></ul>	Go to <a href="https://pcsupport.lenovo.com">https://pcsupport.lenovo.com</a> . Then, follow the on-screen instructions to filter out the documentation you want.
Lenovo Support Web site with the latest support information of the following: <ul style="list-style-type: none"><li>• Drivers and software</li><li>• Diagnostic solutions</li><li>• Product and service warranty</li><li>• Product and parts details</li><li>• Knowledge base and frequently asked questions</li></ul>	<a href="https://pcsupport.lenovo.com">https://pcsupport.lenovo.com</a>
Ubuntu help information	<a href="https://help.ubuntu.com/its/ubuntu-help/index.html">https://help.ubuntu.com/its/ubuntu-help/index.html</a>

---

### Lenovo diagnostic tools

For information about Lenovo diagnostic tools, go to:  
<https://pcsupport.lenovo.com/lenovodiagnosicsolutions>

---

## Call Lenovo

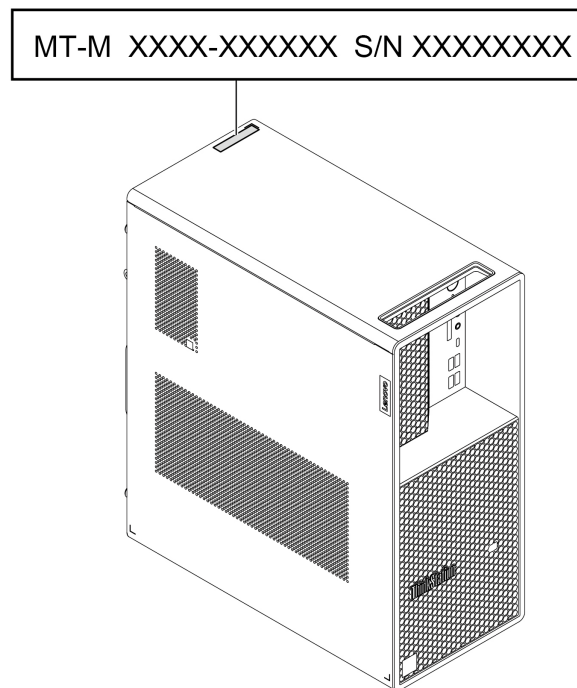
If you have tried to correct the problem yourself and still need help, you can call Lenovo Customer Support Center.

## Before you contact Lenovo

Prepare the following before you contact Lenovo:

1. Record the problem symptoms and details:
  - What is the problem? Is it continuous or intermittent?
  - Any error message or error code?
  - What operating system are you using? Which version?
  - Which software applications were running at the time of the problem?
  - Can the problem be reproduced? If so, how?
2. Record the system information:
  - Product name
  - Machine type and serial number

The following illustration shows where to find the machine type and serial number of your computer.



## Lenovo Customer Support Center

During the warranty period, you can call Lenovo Customer Support Center for help.

### Telephone numbers

For a list of the Lenovo Support phone numbers for your country or region, go to:

<https://pcsupport.lenovo.com/supportphonenumberlist>

**Note:** Phone numbers are subject to change without notice. If the number for your country or region is not provided, contact your Lenovo reseller or Lenovo marketing representative.

### Services available during the warranty period

- Problem determination - Trained personnel are available to assist you with determining if you have a hardware problem and deciding what action is necessary to fix the problem.
- Lenovo hardware repair - If the problem is determined to be caused by Lenovo hardware under warranty, trained service personnel are available to provide the applicable level of service.
- Engineering change management - Occasionally, there might be changes that are required after a product has been sold. Lenovo or your reseller, if authorized by Lenovo, will make selected Engineering Changes (ECs) that apply to your hardware available.

### Services not covered

- Replacement or use of parts not manufactured for or by Lenovo or nonwarranted parts
- Identification of software problem sources
- Configuration of UEFI BIOS as part of an installation or upgrade
- Changes, modifications, or upgrades to device drivers
- Installation and maintenance of network operating systems (NOS)
- Installation and maintenance of programs

For the terms and conditions of the Lenovo Limited Warranty that apply to your Lenovo hardware product, see *Safety and Warranty Guide* that comes with your computer.

---

## Certification-related information

**Product name:** ThinkStation P3 Tower

**Machine types:** 30GR, 30GS, 30GT, 30GU, 30GW, 30GX, 30GY, and 30GV

Further compliance information related to your product is available at <https://www.lenovo.com/compliance>.

---

## Compliance information

For more compliance information, refer to *Regulatory Notice* at <https://pcsupport.lenovo.com> and *Generic Safety and Compliance Notices* at [https://pcsupport.lenovo.com/docs/generic\\_notices](https://pcsupport.lenovo.com/docs/generic_notices).

---

## Purchase additional services

During and after the warranty period, you can purchase additional services from Lenovo at: <https://pcsupport.lenovo.com/warrantyupgrade>

Service availability and service name might vary by country or region.



---

## Appendix A. Supplemental information about the Ubuntu operating system

In limited countries or regions, Lenovo offers customers an option to order computers with the preinstalled Ubuntu® operating system.

If the Ubuntu operating system is available on your computer, read the following information before you use the computer. Ignore any information related to Windows-based programs, utilities, and Lenovo preinstalled applications in this documentation.

### Access the Lenovo Limited Warranty

This product is covered by the terms of the Lenovo Limited Warranty (LLW), version L505-0010-02 08/2011. You can view the LLW in a number of languages from the following Web site. Read the Lenovo Limited Warranty at:

[https://www.lenovo.com/warranty/llw\\_02](https://www.lenovo.com/warranty/llw_02)

The LLW also is preinstalled on the computer. To access the LLW, go to the following directory:

```
/opt/Lenovo
```

If you cannot view the LLW either from the Web site or from your computer, contact your local Lenovo office or reseller to obtain a printed version of the LLW.

### Access the Ubuntu help system

The Ubuntu help system provides information about how to use the Ubuntu operating system. To access the help system from Home Screen, move your pointer to the Launch bar, and then click the **Help** icon. If you cannot find the **Help** icon from the Launch bar, click the **Search** icon on the bottom left, and type Help to search it.

To learn more about the Ubuntu operating system, go to:

<https://www.ubuntu.com>

### Get support information

If you need help, service, technical assistance, or more information about the Ubuntu operating system or other applications, contact the provider of the Ubuntu operating system or the provider of the application. If you need the service and support for hardware components shipped with your computer, contact Lenovo. For more information about how to contact Lenovo, refer to the *User Guide* and *Safety and Warranty Guide*.

To access the latest *User Guide* and *Safety and Warranty Guide*, go to:

<https://pcsupport.lenovo.com>

### Access open-source information

This device includes software made publicly available by Lenovo, including software licensed under the General Public License and/or the Lesser General Public License (the open source software).

You may obtain a copy of the corresponding source code for any such open source software licensed under the General Public License and/or the Lesser General Public License (or any other license requiring us to make a written offer to provide corresponding source code to you) from Lenovo for a period of three years without charge except for the cost of media, shipping, and handling, upon written request to Lenovo. This offer is valid to anyone in receipt of this device.

You may send your request in writing to the address below accompanied by a check or money order for \$15 to:

Lenovo Legal Department  
Attn: Open Source Team / Source Code Requests  
8001 Development Dr.  
Morrisville, NC 27560

Please include the version of the OS and the version of the Linux Kernel pre-shipped on this Device as part of your request. Be sure to provide a return address.

The open source software is distributed in hope it will be useful, but WITHOUT ANY WARRANTY; without even the implied warranty of MERCHANTABILITY or FITNESS FOR A PARTICULAR PURPOSE. See for example the GNU General Public License and/or the Lesser General Public License for more information.

To view additional information regarding licenses, acknowledgments and required copyright notices for the open source software shipped on your Device, go to `/usr/share/doc/*/copyright`.



---

## Appendix B. Notices and trademarks

### Notices

Lenovo may not offer the products, services, or features discussed in this document in all countries. Consult your local Lenovo representative for information on the products and services currently available in your area. Any reference to a Lenovo product, program, or service is not intended to state or imply that only that Lenovo product, program, or service may be used. Any functionally equivalent product, program, or service that does not infringe any Lenovo intellectual property right may be used instead. However, it is the user's responsibility to evaluate and verify the operation of any other product, program, or service.

Lenovo may have patents or pending patent programs covering subject matter described in this document. The furnishing of this document does not give you any license to these patents. You can send license inquiries, in writing, to:

*Lenovo (United States), Inc.  
8001 Development Drive  
Morrisville, NC 27560  
U.S.A.  
Attention: Lenovo Director of Licensing*

LENOVO PROVIDES THIS PUBLICATION "AS IS" WITHOUT WARRANTY OF ANY KIND, EITHER EXPRESS OR IMPLIED, INCLUDING, BUT NOT LIMITED TO, THE IMPLIED WARRANTIES OF NON-INFRINGEMENT, MERCHANTABILITY OR FITNESS FOR A PARTICULAR PURPOSE. Some jurisdictions do not allow disclaimer of express or implied warranties in certain transactions, therefore, this statement may not apply to you.

Changes are made periodically to the information herein; these changes will be incorporated in new editions of the publication. To provide better service, Lenovo reserves the right to improve and/or modify the products and software programs described in the manuals included with your computer, and the content of the manual, at any time without additional notice.

The software interface and function and hardware configuration described in the manuals included with your computer might not match exactly the actual configuration of the computer that you purchase. For the configuration of the product, refer to the related contract (if any) or product packing list, or consult the distributor for the product sales. Lenovo may use or distribute any of the information you supply in any way it believes appropriate without incurring any obligation to you.

The products described in this document are not intended for use in implantation or other life support applications where malfunction may result in injury or death to persons. The information contained in this document does not affect or change Lenovo product specifications or warranties. Nothing in this document shall operate as an express or implied license or indemnity under the intellectual property rights of Lenovo or third parties. All information contained in this document was obtained in specific environments and is presented as an illustration. The result obtained in other operating environments may vary.

Lenovo may use or distribute any of the information you supply in any way it believes appropriate without incurring any obligation to you.

Any references in this publication to non-Lenovo Web sites are provided for convenience only and do not in any manner serve as an endorsement of those Web sites. The materials at those Web sites are not part of the materials for this Lenovo product, and use of those Web sites is at your own risk.

Any performance data contained herein was determined in a controlled environment. Therefore, the result obtained in other operating environments may vary significantly. Some measurements may have been made on development-level systems and there is no guarantee that these measurements will be the same on generally available systems. Furthermore, some measurements may have been estimated through extrapolation. Actual results may vary. Users of this document should verify the applicable data for their specific environment.

This document is copyrighted by Lenovo and is not covered by any open source license, including any Linux agreement(s) which may accompany software included with this product. Lenovo may update this document at any time without notice.

For the latest information or any questions or comments, contact or visit the Lenovo Web site:  
<https://pcsupport.lenovo.com>

### **Trademarks**

Lenovo, Lenovo logo, ThinkStation, and ThinkStation logo are trademarks of Lenovo. Intel, Core, and Thunderbolt are trademarks of Intel Corporation or its subsidiaries in the U.S. and/or other countries. Windows is a trademark of the Microsoft group of companies. DisplayPort is a trademark of the Video Electronics Standards Association. The term HDMI is a trademark of HDMI Licensing LLC in the United States and other countries. Wi-Fi and Miracast are registered trademarks of Wi-Fi Alliance. USB-C is a registered trademark of USB Implementers Forum. All other trademarks are the property of their respective owners.



**Lenovo**