

ThinkCentre[®]

M710t

User Guide and Hardware Maintenance Manual

Machine Type (MT):

10M9, 10MA, 10QK, 10R8

Energy Star MT:

10M9, 10MA, 10QK, 10R8



Overview >

Locations of indicators, connectors, and controls provided on your computer



Specifications >

Specifications of your computer



Locking the computer >

Locking devices for your computer



Replaceable hardware >

Locations of the replaceable parts on your computer



Replacing CRUs >

Replacing instructions for Customer Replaceable Units (CRUs)



Replacing FRUs >

Replacing instructions for Field Replaceable Units (FRUs) (for technicians only)



Contents

Overview 3

Front view.....	3
Rear view.....	5
System board.....	7
Machine type and model label.....	9

Specifications..... 10

Locking the computer 12

Locking the computer cover.....	12
Attaching a Kensington-style cable lock.....	12
Attaching a cable lock.....	12

Replacing hardware..... 13

Before replacing hardware.....	13
Handling static-sensitive devices.....	13
Knowing replaceable parts.....	14
Customer Replaceable Units (CRUs).....	14
Field Replaceable Units (FRUs).....	14
CRUs and FRUs locations.....	15

Replacing CRUs..... 18

Before replacing CRUs.....	18
Replacing the dust shield.....	20
Replacing the keyboard or wireless keyboard.....	21
Replacing the keyboard.....	21
Replacing the wireless keyboard.....	22
Replacing the mouse or wireless mouse.....	23
Replacing the mouse.....	23
Replacing the wireless mouse.....	23
Replacing the power cord.....	25
Removing the computer cover.....	26
Replacing the front bezel.....	27
Replacing the optical drive.....	28
Replacing the optical drive bracket.....	29

Replacing the storage drive.....	30
Replacing the 3.5-inch storage drive.....	30
Replacing the 2.5-inch storage drive.....	32
Replacing a memory module.....	33
Replacing a PCI Express card.....	35
Replacing the Wi-Fi card.....	37
Replacing the coin-cell battery.....	40
Replacing the M.2 storage drive.....	42
Replacing the M.2 storage drive bracket.....	45
Replacing the power supply assembly.....	46
Completing the parts replacement.....	48

Replacing FRUs 49

Before replacing FRUs.....	49
Replacing the Wi-Fi antennas.....	51
Replacing the front Wi-Fi antenna.....	51
Replacing the rear Wi-Fi antenna.....	52
Replacing the internal speaker.....	53
Replacing the front fan.....	54
Replacing the thermal sensor.....	55
Replacing the illuminated red dot cable.....	56
Replacing the front I/O bracket.....	57
Replacing the power button board.....	58
Replacing the card reader board.....	59
Replacing the heat sink and fan assembly.....	60
Replacing the microprocessor.....	61
Replacing the rear fan.....	63
Replacing the cover presence switch.....	64
Replacing the system board and chassis.....	65

Notices & Trademarks 67

Notices.....	67
Trademarks.....	68

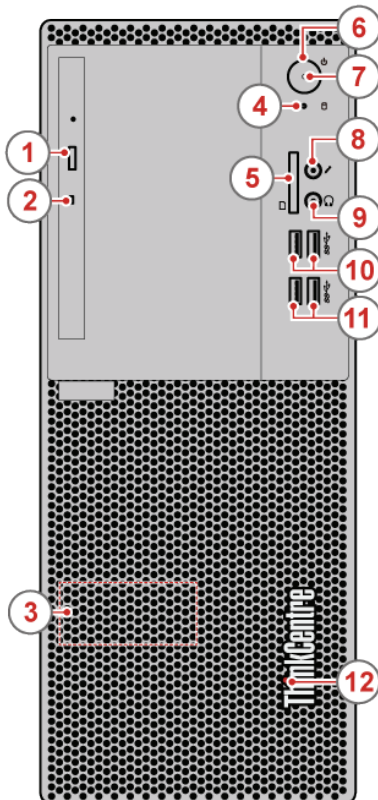
Overview

Front view

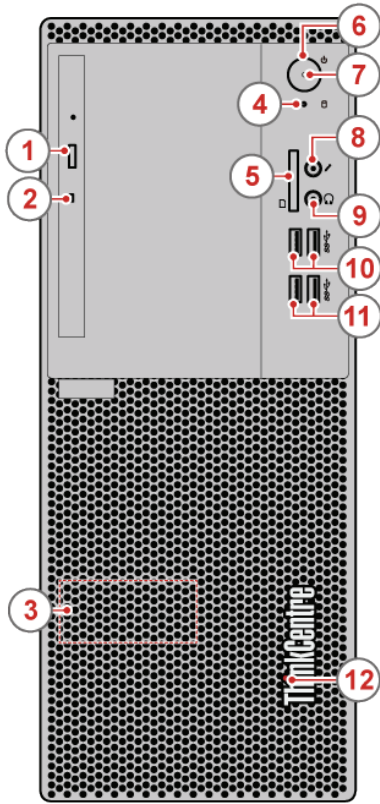


Note

Your computer model might look slightly different from the illustration.



- 1 Optical drive eject/close button (optional)**
Used to eject the tray of the optical drive. After you insert a disc into the tray, press the eject/close button to close the tray.
- 2 Optical drive status indicator (optional)**
This indicator is on when the optical drive is in use.
- 3 Internal speaker (optional)**
Used to listen to the sounds from your computer without using a headset or headphones.
- 4 Storage drive status indicator**
This indicator is on when the storage drive is in use.
- 5 Card reader slot (optional)**
Used to read data from a supported memory card.
- 6 Power button**
Used to turn on your computer. When you cannot shut down the computer from the operating system, press and hold the power button for four or more seconds to turn off the computer.
- 7 Power indicator**
This indicator is on when the computer is on.
- 8 Microphone connector**
Used to connect a microphone to your computer. You can use the microphone to record sounds or interact with the computer using speech-recognition software.
- 9 Headphone connector**
Used to connect headphones to your computer.



10

USB 3.0 connectors (2)

Used to connect a USB-compatible device, such as a USB keyboard, mouse, scanner, printer, or personal digital assistant (PDA). For optimal data transfer, connect a USB 3.0 device to a USB 3.0 connector instead of a USB 2.0 connector.

11

USB 3.0 connectors (2)

Used to connect a USB-compatible device, such as a USB keyboard, mouse, scanner, printer, or personal digital assistant (PDA). For optimal data transfer, connect a USB 3.0 device to a USB 3.0 connector instead of a USB 2.0 connector.

12

Illuminated red dot

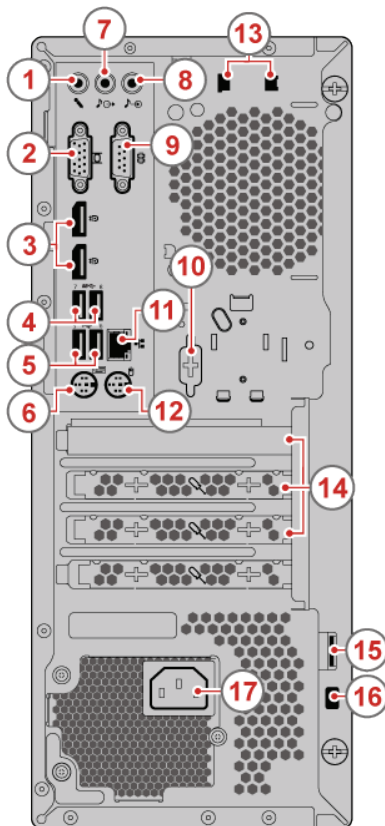
This indicator is on when the computer is on.

Rear view



Note

Your computer model might look slightly different from the illustration.



- 1 Microphone connector**

Used to connect a microphone to your computer when you want to record sound or use speech recognition software.
- 2 VGA-out connector**

Used to send video signals from the computer to another video device, such as a monitor.
- 3 DisplayPort®-out connectors (2)**

Used to send audio and video signals from the computer to another audio or video device, such as a high-performance monitor.
- 4 USB 3.0 connectors (2)**

Used to connect a USB-compatible device. For optimal data transfer, connect a USB 3.0 device to a USB 3.1 or USB 3.0 connector instead of a USB 2.0 connector.
- 5 USB 2.0 connectors (2)**

Used to connect a device that requires a USB 2.0 connection.
- 6 PS/2 keyboard connector**

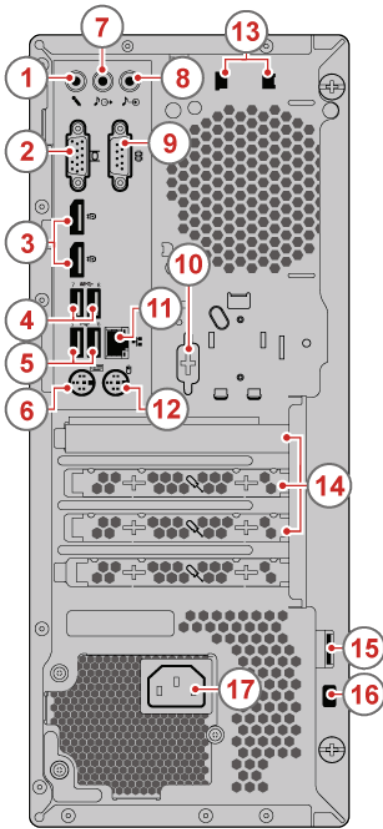
Used to connect a keyboard that uses a Personal System/2 (PS/2) keyboard connector.
- 7 Audio line-out connector**

Used to send audio signals from the computer to external devices, such as powered stereo speakers, headphones, or multimedia keyboards. To connect a stereo system or other external recording device, connect a cable between the audio line-in connector of the device and the audio line-out connector of the computer.



Note

If your computer has both an audio line-out connector and a headset or headphone connector, always use the headset connector or headphone connector for earphones, headphones, or a headset. The headphone connector does not support headset microphones.



8 Audio line-in connector

Used to receive audio signals from an external audio device, such as a stereo system. To attach an external audio device, connect a cable between the audio line-out connector of the device and the audio line-in connector of the computer.

9 Serial connector

Used to connect an external modem, a serial printer, or other devices that use a serial connector.

10 Serial connector (optional)

Used to connect an external modem, a serial printer, or other devices that use a serial connector.

11 Ethernet connector

Used to connect an Ethernet cable for network access.

12 PS/2 mouse connector

Used to connect a mouse, a trackball, or other pointing devices that use a PS/2 mouse connector.

13 Cable lock slots (2) (optional)

Used to secure a cable lock.

14 PCI-Express card area

To improve the operating performance of the computer, you can connect PCI-Express cards into this area. Depending on the computer model, the connectors in this area vary.

15 Padlock loop

Used to secure a padlock.

16 Security-lock slot

Used to secure a Kensington-style cable lock.

17 Power cord connector

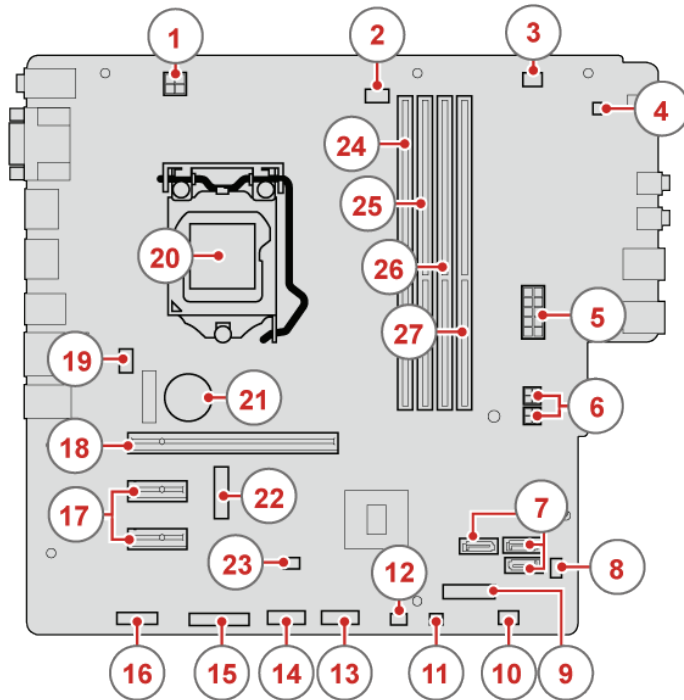
Used to connect the power cord to your computer for power supply.

System board

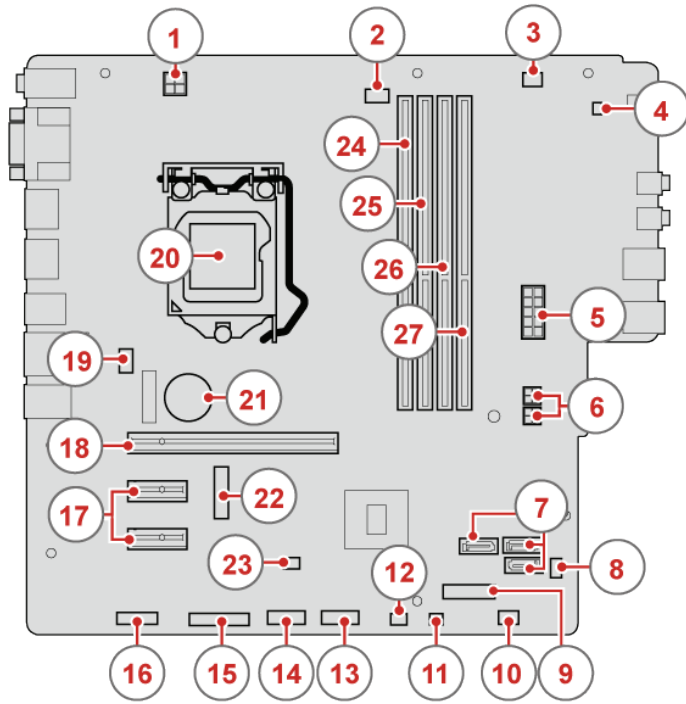


Note

See [Front view](#) or [Rear view](#) for additional component descriptions.



- 1 4-pin power connector
- 2 Microprocessor fan connector
- 3 Auxiliary fan connector 2
- 4 Internal speaker connector
- 5 10-pin power connector
- 6 SATA power connectors (2)
- 7 SATA 3.0 connectors (3)
- 8 Auxiliary fan connector 1
- 9 M.2 storage drive slot
- 10 Power button board connector
- 11 Illuminated red dot connector
- 12 Thermal sensor connector
- 13 Front USB 2.0 connector 2
- 14 Front USB 2.0 connector 1
- 15 Parallel connector
- 16 Serial (COM2) connector
- 17 PCI Express x1 card slots (2)
- 18 PCI Express x16 graphics card slot
- 19 System fan connector

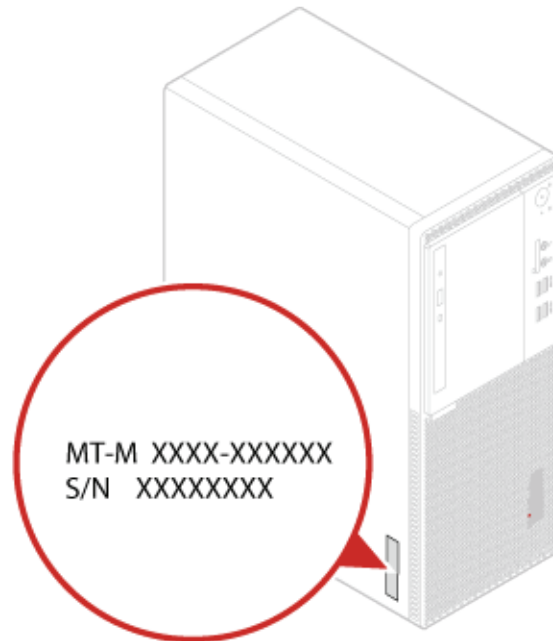


- **20** Microprocessor socket
- **21** Coin-cell battery
- **22** M.2 Wi-Fi card slot
- **23** Cover presence switch connector (Intrusion switch connector)
- **24** Memory slot (DIMM1)
- **25** Memory slot (DIMM2)
- **26** Memory slot (DIMM3)
- **27** Memory slot (DIMM4)
-

Machine type and model label

The machine type and model label identifies the computer. When you contact Lenovo for help, the machine type and model information helps support technicians to identify the computer and provide faster service.

The machine type and model label is attached on the side of the computer as shown.



Specifications

Power supply	<ul style="list-style-type: none">• 180 watt automatic voltage-sensing power supply• 210 watt automatic voltage-sensing power supply
Storage drives	Up to three storage drives
Video features	The integrated graphics card supports the following: <ul style="list-style-type: none">• DisplayPort-out connector• VGA-out connector
Audio features	<p>The integrated audio card supports the following:</p> <ul style="list-style-type: none">• Audio line-in connector• Audio line-out connector• Headphone connector• Internal speaker (optional)• Microphone connector <p>The optional discrete audio card provides an enhanced audio experience and extended capabilities.</p>
Input/Output (I/O) features	<ul style="list-style-type: none">• Audio connectors (audio line-in, audio line-out, headphone, and microphone)• Card reader slot (optional)• Display connectors (DisplayPort-out and VGA-out)• Ethernet connector• PS/2 keyboard connector• PS/2 mouse connector• Serial connector• USB connector

Expansion

- Card reader (optional)
- Memory slot
- Optical drive (optional)
- PCI Express x1 card slot
- PCI Express x16 graphics card slot
- Storage drive bay

Network features

- Ethernet LAN
- Wireless LAN (optional)
- Bluetooth (optional)

Physical dimensions

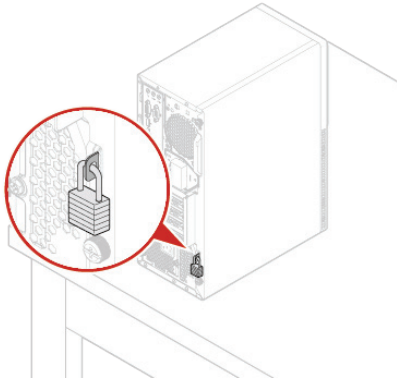
- Width: 145.0 mm (5.7 inches)
- Height: 366.0 mm (14.4 inches)
- Depth: 292.7 mm (11.5 inches)

**Weight
(without the package)**

- Maximum configuration as shipped: 6.5 kg (14.3 lb)
-

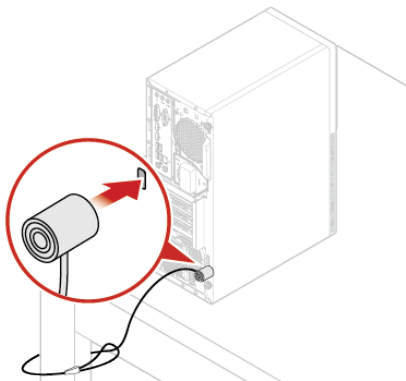
Locking the computer

Locking the computer cover



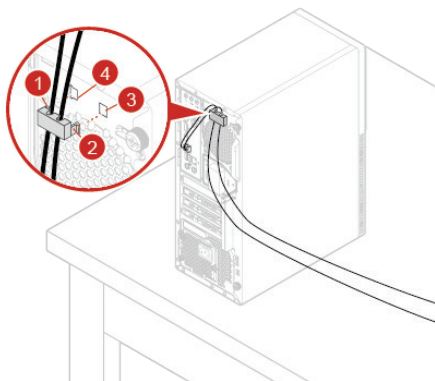
Locking the computer cover helps prevent unauthorized access to the inside of your computer. Your computer features a padlock loop so that the computer cover cannot be removed when a padlock is installed.

Attaching a Kensington-style cable lock



You can use a Kensington-style cable lock to secure your computer to a desk, table, or other nonpermanent fixture. The cable lock connects to the security-lock slot at the rear of your computer. Depending on the type selected, the cable lock can be operated with a key or combination. The cable lock also locks the buttons used to open the computer cover. This is the same type of lock used with many notebook computers. You can order such a cable lock directly from Lenovo by searching for Kensington at: <http://www.lenovo.com/support>.

Attaching a cable lock



A cable lock can be used to secure devices, such as the keyboard and the mouse, by locking the device cables to the computer. The cable lock connects to the cable-lock slots on the rear of the computer.

To install a cable lock, do the following:

- 1 Insert the clip **1** into the cable-lock slot **4**.
- 2 Guide the cables you want to lock into the grooves of the cable lock.
- 3 Press the clip **2** into the cable-lock slot **3** until it snaps into position.

Replacing hardware

Before replacing hardware



Attention

Do not open your computer or attempt any repairs before reading the *Important Product Information Guide*.

Read these notes before replacing hardware:

- Some of the hardware components explained in this manual are optional.
- Use computer components provided only by Lenovo.
- When installing or replacing an option, use the appropriate instructions explained in this manual along with the instructions that come with the option.
- In most areas of the world, Lenovo requires the return of defective CRUs. Information about this will come with the CRU or will come a few days after the CRU arrives.

Handling static-sensitive devices

Do not open the static-protective package containing the new component until the defective component has been removed and you are ready to install the new component. Static electricity, although harmless to you, can seriously damage computer components.

When you handle parts and other computer components, take these precautions to avoid static damage:

- Limit your movement. Movement can cause static electricity to build up around you.
- Always handle parts and other computer components carefully. Handle PCI/PCI-Express cards, memory modules, system boards, and microprocessors by the edges. Never touch any exposed circuitry.
- Prevent others from touching the parts and other computer components.
- Touch the static-protective package containing the part to a metal expansion-slot cover or other unpainted metal surface on the computer for at least two seconds. This reduces static electricity from the package and your body before you install or replace a new part.
- When possible, remove the new part from the static-protective package, and install it directly in the computer without setting the part down. When this is not possible, place the static-protective package that the part came in on a smooth, level surface and place the part on the package.
- Do not place the part on the computer cover or other metal surface.

Knowing replaceable parts

Customer Replaceable Units (CRUs)

CRUs are computer parts that a user can upgrade or replace. There are two types of CRUs: self-service and optional-service.

Self-service CRUs

You can install self-service CRUs easily. These CRUs might be standalone, latched, or secured by up to two screws.

Examples of self-service CRUs include the keyboard, mouse, any USB device, and the power cord. Other self-service CRUs might include memory modules, adapter cards, hard disk drives, and optical drives.



Note

Users are responsible for replacing all self-service CRUs.

Optional-service CRUs

Handling optional-service CRUs requires some technical skills and simple tools (such as a screwdriver).

These CRUs are isolated parts within the computer. They are usually concealed by an access panel that is secured by more than two screws. You must remove the screws and panel to access the specific CRU.

Optional-service CRUs can be removed and installed by users or, during the warranty period, by a Lenovo service technician.

Field Replaceable Units (FRUs)

FRUs are computer parts that a trained technician can upgrade or replace.

For detailed FRU information, such as the FRU part numbers and supported computer models, go to: <http://www.lenovo.com/serviceparts-lookup>

CRUs and FRUs locations

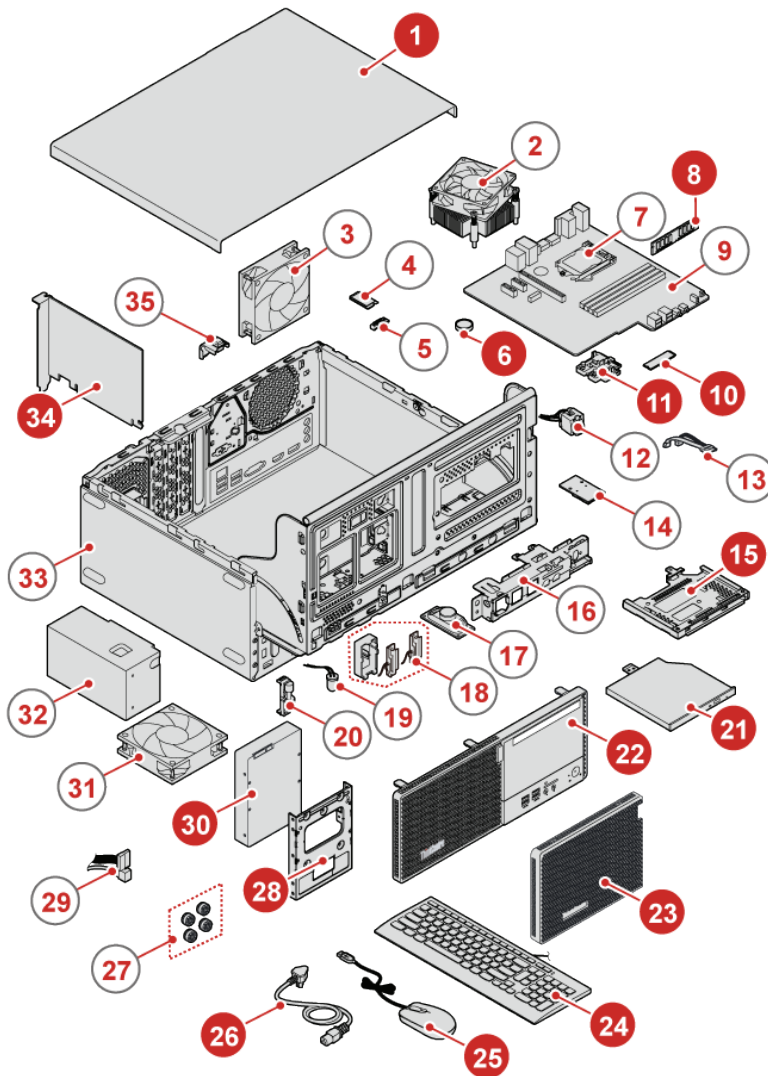
Refer to the following illustrations to check the locations of CRUs and FRUs within the computer.



Note

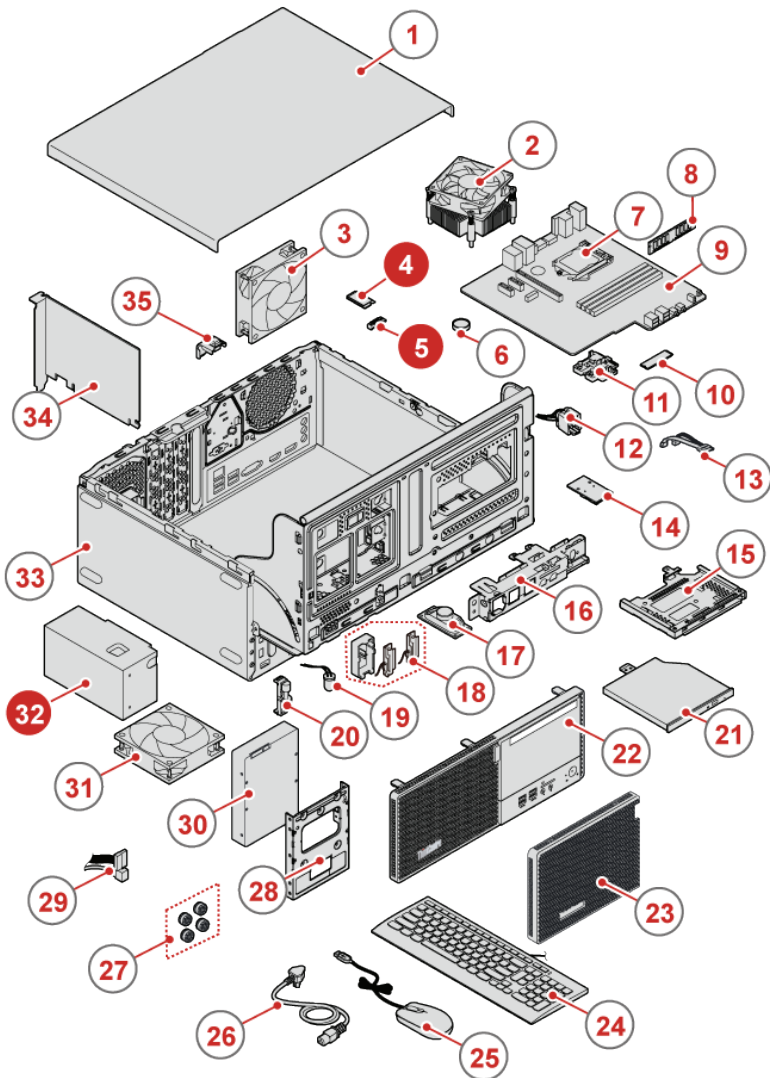
Some of the following parts are optional on some models.

Self-service CRU



- 1 Computer cover [p. 26](#)
- 6 Coin-cell battery [p. 40](#)
- 8 Memory module [p. 33](#)
- 10 M.2 storage drive [p. 42](#)
- 11 M.2 storage drive bracket [p. 45](#)
- 15 Optical drive bracket [p. 29](#)
- 21 Optical drive [p. 28](#)
- 22 Front bezel [p. 27](#)
- 23 Dust shield [p. 20](#)
- 24 Keyboard or wireless keyboard [p. 21](#)
- 25 Mouse or wireless mouse [p. 23](#)
- 26 Power cord [p. 25](#)
- 28 Storage converter [p. 30](#)
- 30 Storage drive [p. 30](#)
- 34 PCI Express card [p. 35](#)

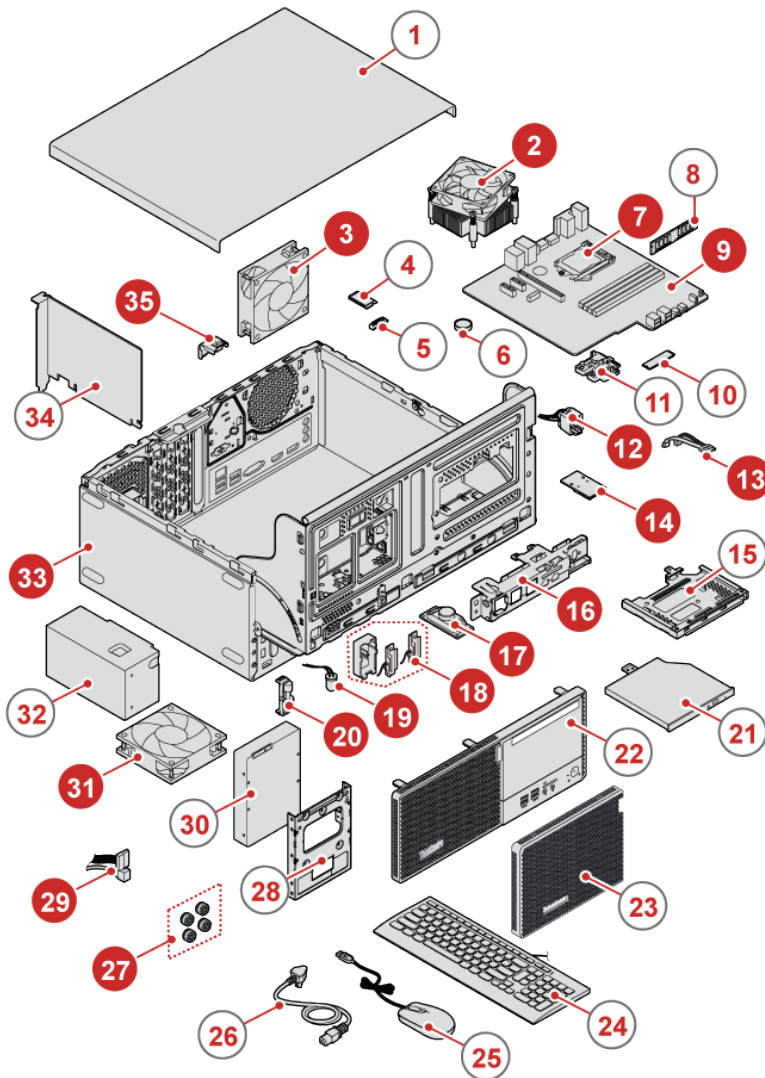
Optional-service CRU



4 Wi-Fi card [p. 37](#)

5 Wi-Fi card shield [p. 37](#)

32 Power supply assembly
[p. 46](#)



- 2 Heat sink and fan assembly
p. 60

- 3 Rear fan p. 63

- 7 Microprocessor p. 61

- 9 System board p. 65

- 12 Power button board p. 58

- 13 Optical drive cable p. 28

- 14 Card reader p. 59

- 16 Front I/O bracket p. 57

- 17 Internal speaker p. 53

- 18 Wi-Fi antennas (2) p. 51

- 19 Illuminated red dot cable
p. 56

- 20 Thermal sensor p. 55

- 27 Storage drive rubber
cushions (4) p. 45

- 29 Storage drive cable p. 45

- 31 Front fan p. 54

- 33 Chassis p. 65

- 35 Cover presence switch
(Intrusion switch) p. 64

Replacing CRUs

Before replacing CRUs

To check the locations of CRUs, see [CRUs and FRUs locations](#).



Attention

Do not open your computer or attempt any repairs before reading the *Important Product Information Guide*.

Before replacing a CRU, click the illustration of the part to check the brief procedures.

Dust shield



Keyboard or wireless keyboard



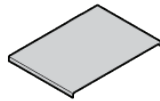
Mouse or wireless mouse



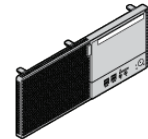
Power cord



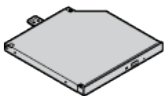
Computer cover



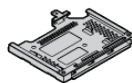
Front bezel



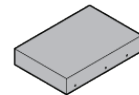
Optical drive



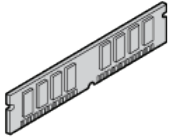
Optical drive bracket



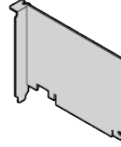
Storage drive



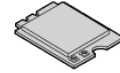
Memory module >



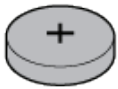
PCI Express card >



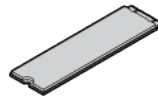
Wi-Fi card >



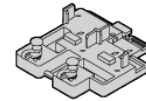
Coin-cell battery >



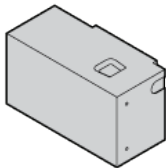
M.2 storage drive >



M.2 storage drive bracket >



Power supply assembly >



Note

To replace a component that is not in the list above, contact a Lenovo service technician. The support phone numbers are available at <http://www.lenovo.com/support/phone>.

Replacing the dust shield



Note

The dust shield is available only on some models.



Attention

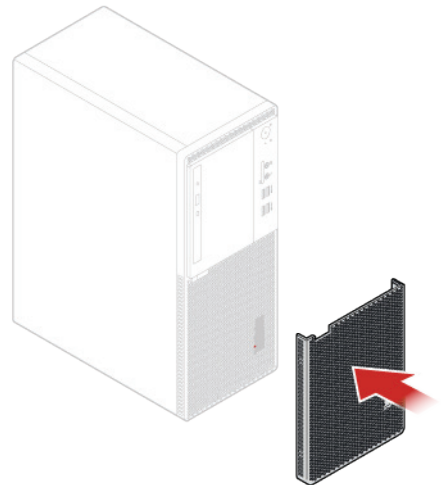
Do not open your computer or attempt any repairs before reading the *Important Product Information Guide*.

- 1 Remove any media from the drives and turn off all connected devices and the computer.
- 2 Disconnect all power cords from electrical outlets and disconnect all cables from the computer.
- 3 Replace the dust shield.

1



2



Replacing the keyboard or wireless keyboard



Note

The wireless keyboard is available only on some models.

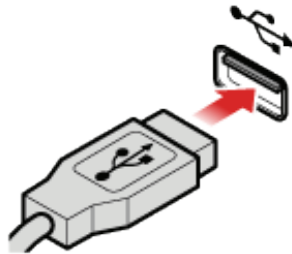
Replacing the keyboard

- 1 Turn off the computer and disconnect all power cords from electrical outlets.
- 2 Disconnect the old keyboard cable from the computer.
- 3 Connect a new keyboard to the appropriate connector on the computer.



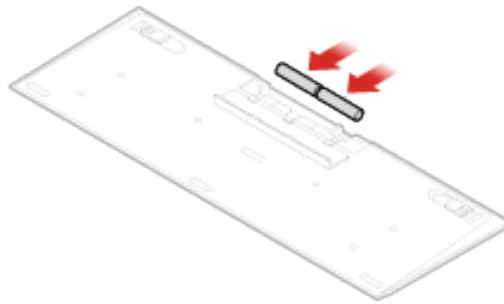
Note

Depending on the model, you might connect the mouse to a PS/2 keyboard connector. For details, see [Rear view](#).



Replacing the wireless keyboard

- 1 Remove your old wireless keyboard.
- 2 Take out the new wireless keyboard from the package.
- 3 Open the battery compartment cover, and install two AAA batteries according to the polarity indicators.



- 4 Remove the USB dongle from the keyboard compartment or from the wireless mouse compartment and connect it to an available USB connector on the computer.
- 5 Close the compartment cover. The keyboard is ready for use.

Replacing the mouse or wireless mouse



Note

The wireless mouse is available only on some models.

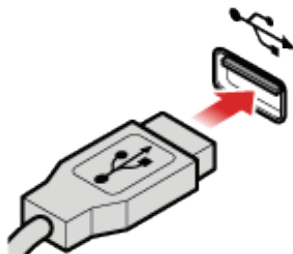
Replacing the mouse

- 1 Turn off the computer and disconnect all power cords from electrical outlets.
- 2 Disconnect the old keyboard cable from the computer.
- 3 Connect a new keyboard to the appropriate connector on the computer.



Note

Depending on the model, you might connect the mouse to a PS/2 keyboard connector. For details, see [Rear view](#).

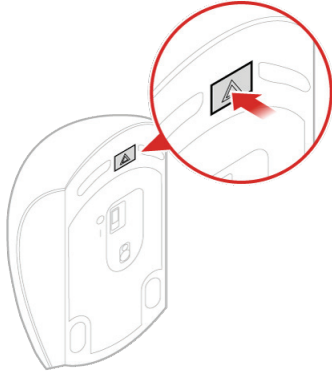


Replacing the wireless mouse

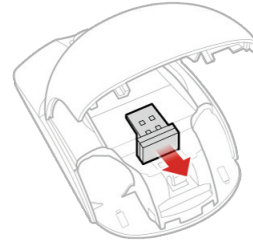
- 1 Disconnect the USB dongle from your computer. Then, remove your old wireless mouse.
- 2 Remove the new wireless mouse from the package.

3 Replace the wireless mouse.

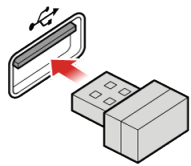
1



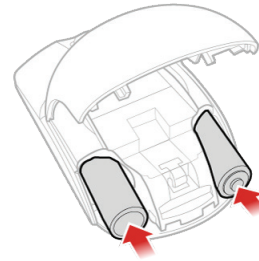
2



3



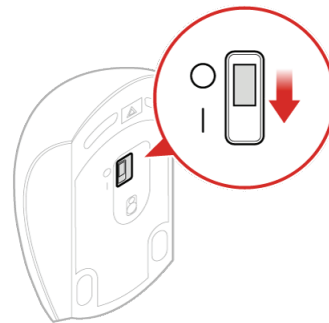
4



5



6



Note

- The green LED indicates that the mouse is ready for use.
- The flashing amber LED indicates a low battery level.
- Push the power switch to the off position when you are not using the mouse to extend the battery life.
- After disconnecting the USB dongle from your computer, store it in the wireless mouse compartment or in the wireless keyboard compartment.

Replacing the power cord



Attention

Do not open your computer or attempt any repairs before reading the *Important Product Information Guide*.

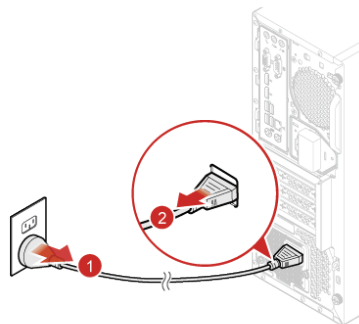
- 1 Remove any media from the drives and turn off all connected devices and the computer.
- 2 Disconnect all power cords from electrical outlets and disconnect all cables from the computer.
- 3 Replace the power cord.



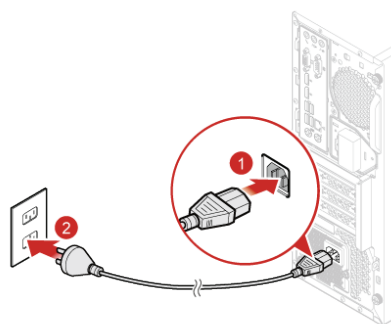
Note

Your power cord might look different from the one illustrated.

1



2



Removing the computer cover

Attention

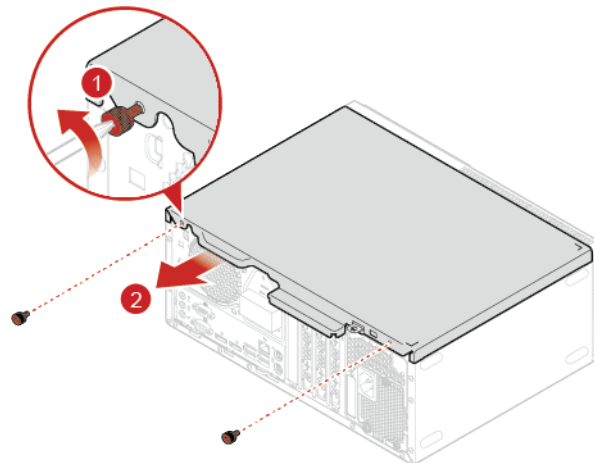
Do not open your computer or attempt any repairs before reading the *Important Product Information Guide*.



Caution

Before you open the computer cover, turn off the computer and wait several minutes until the computer is cool.

- 1 Remove any media from the drives and turn off all connected devices and the computer.
- 2 Disconnect all power cords from electrical outlets and disconnect all cables from the computer.
- 3 Unlock any locking device that secures the computer cover.
- 4 Remove the computer cover.



- 5 Complete the replacement. For details, see [Completing the parts replacement](#).

Replacing the front bezel



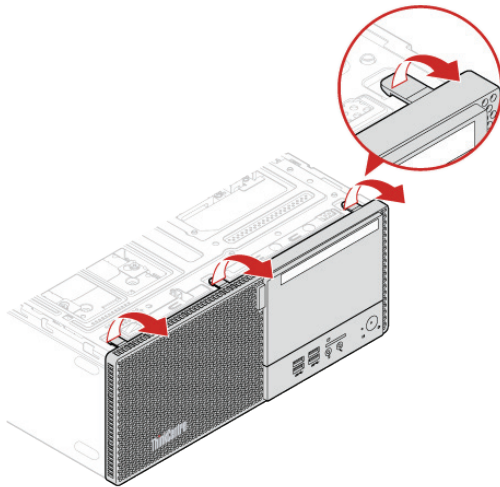
Attention

Do not open your computer or attempt any repairs before reading the *Important Product Information Guide*.

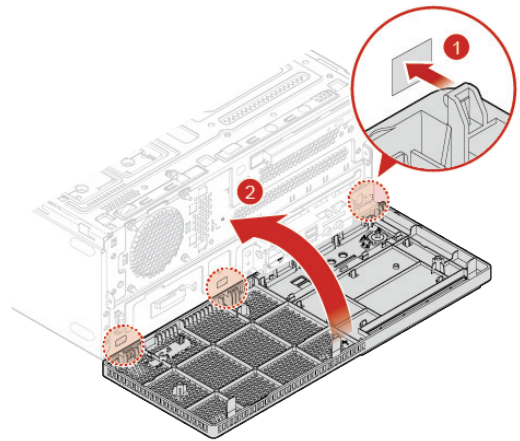
1 Remove the computer cover. For details, see [Removing the computer cover](#).

2 Replace the front bezel.

1



2



3 Complete the replacement. For details, see [Completing the parts replacement](#).

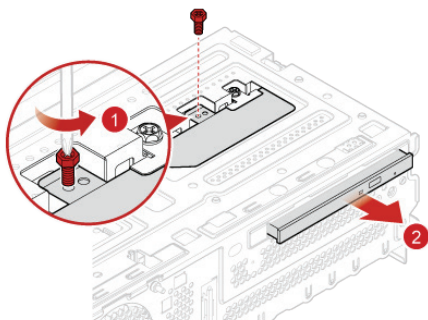
Replacing the optical drive

Attention

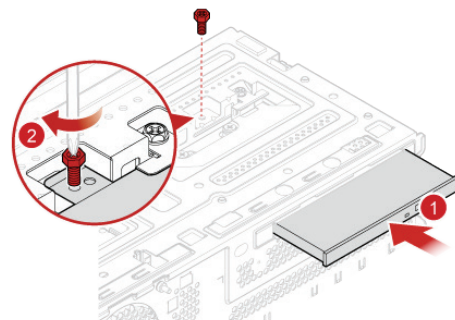
Do not open your computer or attempt any repairs before reading the *Important Product Information Guide*.

- 1 Remove the computer cover. For details, see [Removing the computer cover](#).
- 2 Remove the front bezel. For details, see [Replacing the front bezel](#).
- 3 Disconnect the signal cable and the power cable from the optical drive.
- 4 Replace the optical drive.

1



2



- 5 Connect the signal cable and the power cable to the new optical drive.
- 6 Reinstall the removed parts. To complete the replacement, see [Completing the parts replacement](#).

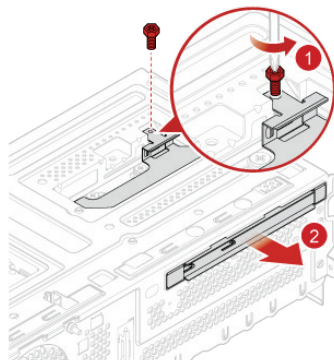
Replacing the optical drive bracket

Attention

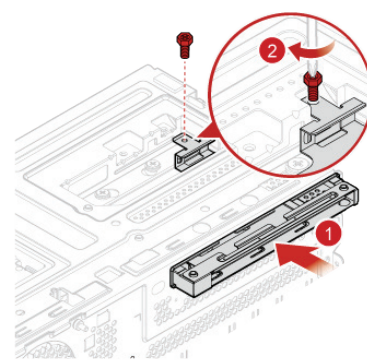
Do not open your computer or attempt any repairs before reading the *Important Product Information Guide*.

- 1 Remove the computer cover. For details, see [Removing the computer cover](#).
- 2 Remove the front bezel. For details, see [Replacing the front bezel](#).
- 3 Remove the optical drive. For details, see [Replacing the optical drive](#).
- 4 Replace the optical drive bracket.

1



2



- 5 Reinstall the removed parts. To complete the replacement, see [Completing the parts replacement](#).

Replacing the storage drive



Attention

Do not open your computer or attempt any repairs before reading the *Important Product Information Guide*.

Replacing the 3.5-inch storage drive

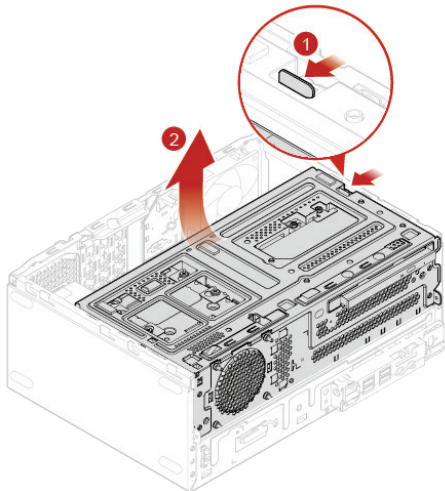
- 1 Remove the computer cover. For details, see [Removing the computer cover](#).
- 2 Remove the front bezel. For details, see [Replacing the front bezel](#).
- 3 Refer to the following to replace the 3.5-inch storage drive.
 - 3.5-inch primary storage drive



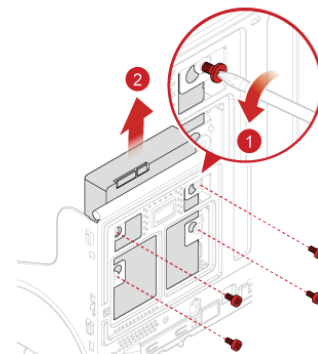
Note

Ensure that you disconnect or reconnect the storage drive cables during the replacement.

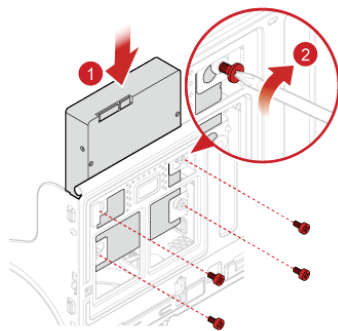
1



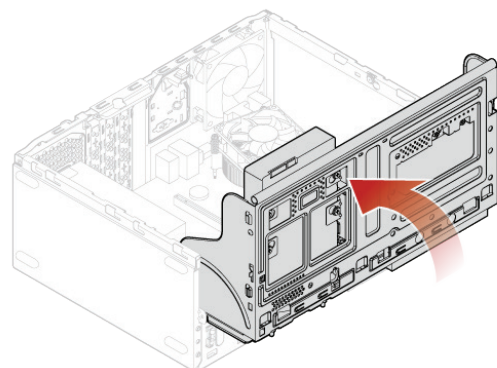
2



3



4



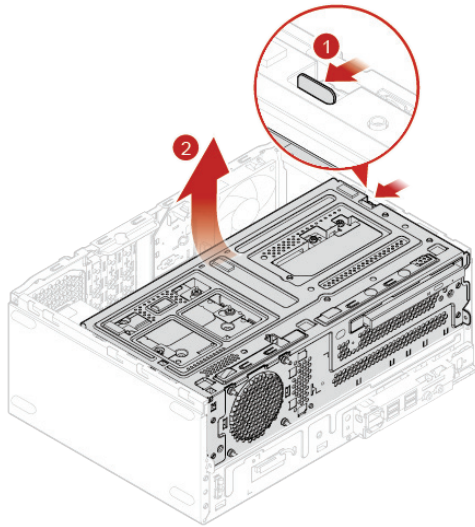
- 3.5-inch secondary storage drive



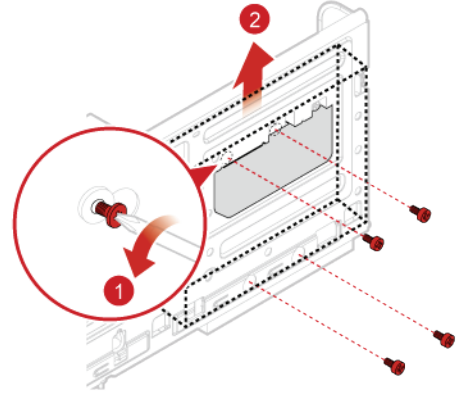
Note

Ensure that you disconnect or reconnect the storage drive cables during the replacement.

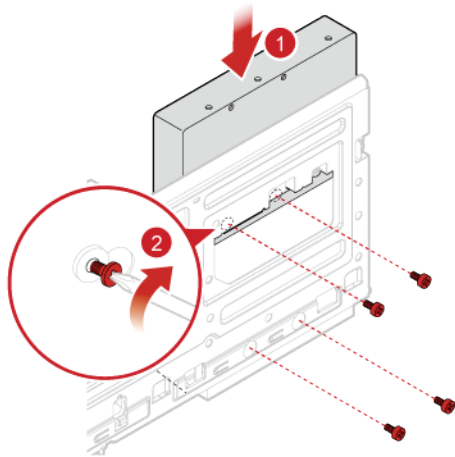
1



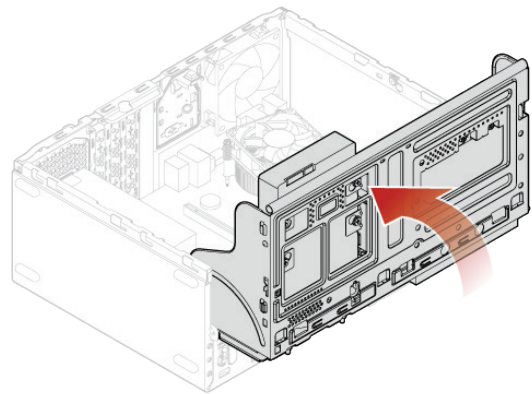
2



3



4



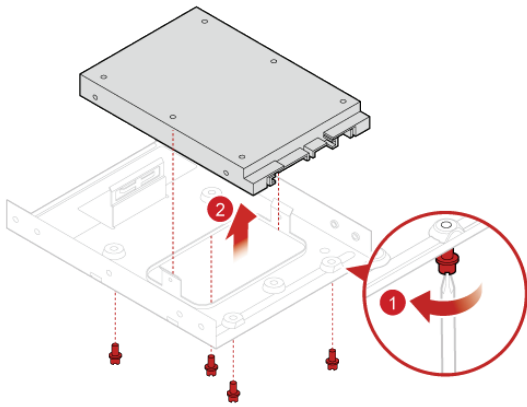
4 Reinstall the removed parts. To complete the replacement, see **Completing the parts replacement.**

Replacing the 2.5-inch storage drive

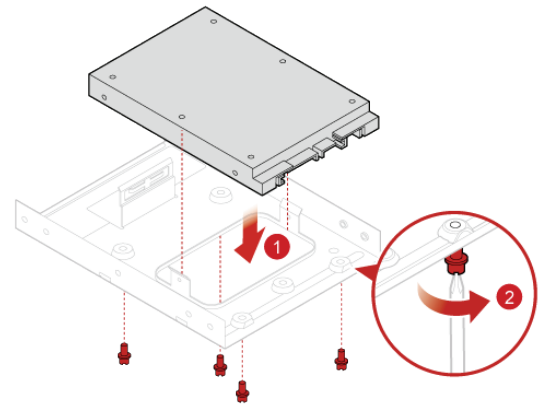
1 Remove the storage converter with the 2.5-inch storage drive. See [Replacing the 3.5-inch storage drive.](#)

2 Replace the 2.5-inch storage drive in the storage converter.

1



2



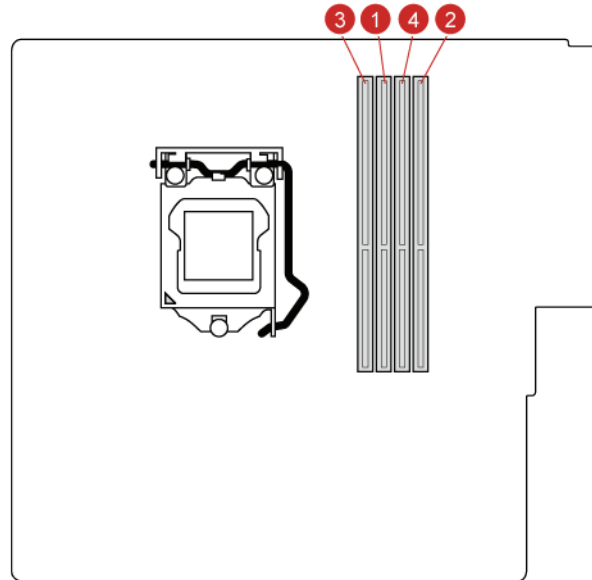
3 Reinstall the storage converter with the 2.5-inch storage drive. See [Replacing the 3.5-inch storage drive.](#)

Replacing a memory module

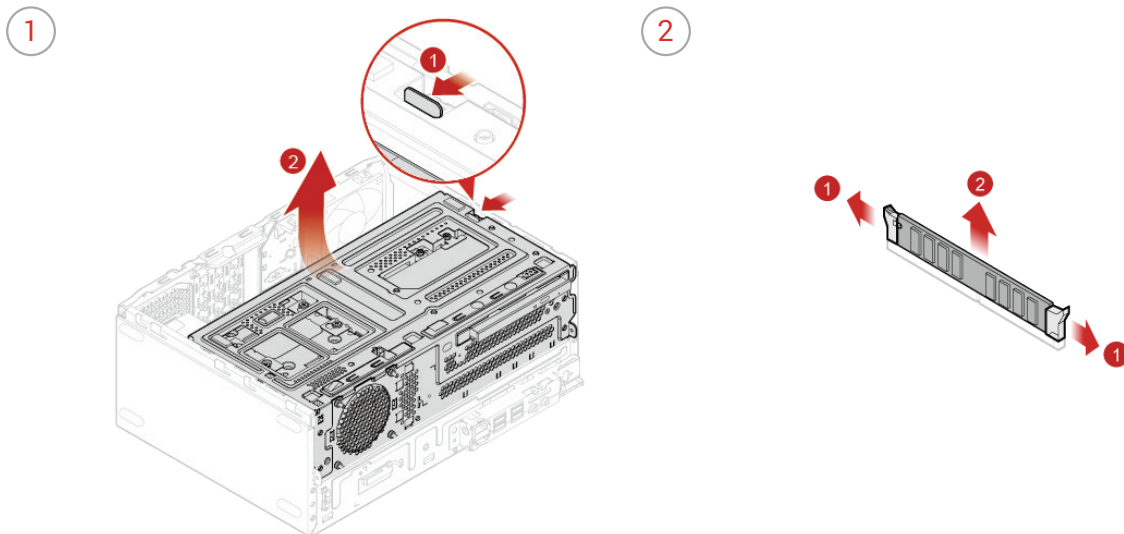
Attention

Do not open your computer or attempt any repairs before reading the *Important Product Information Guide*.

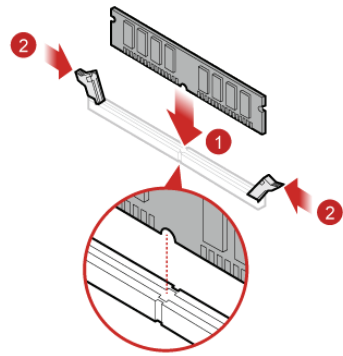
Ensure that you follow the installation order for memory modules shown in the following figure.



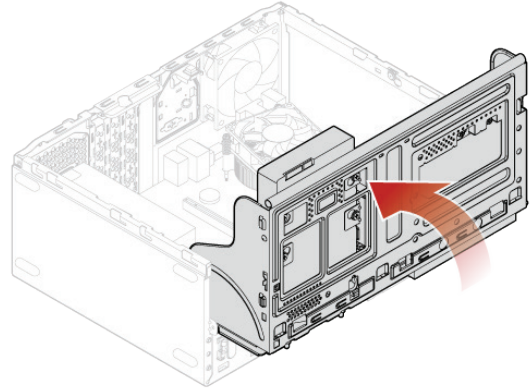
- 1 Remove the computer cover. For details, see [Removing the computer cover](#).
- 2 Remove the front bezel. For details, see [Replacing the front bezel](#).
- 3 Replace a memory module.



3



4



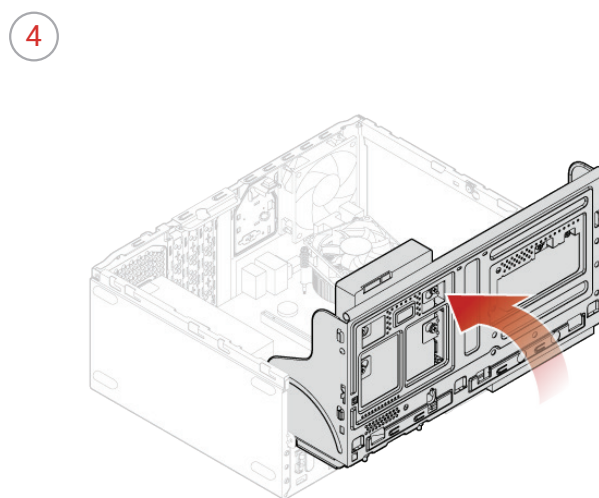
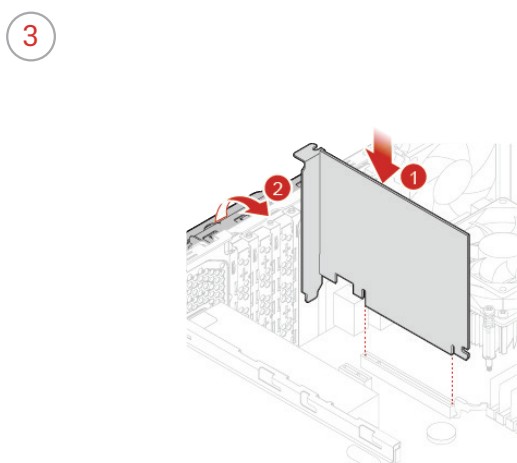
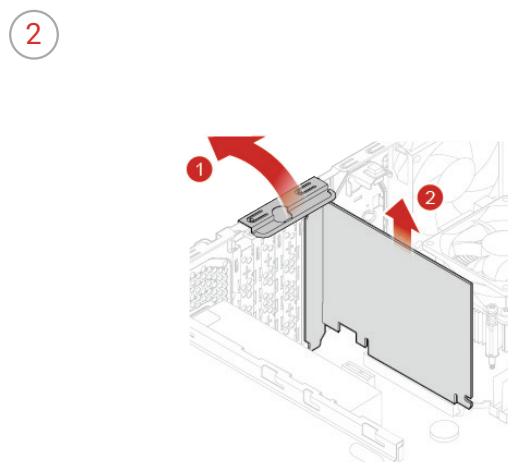
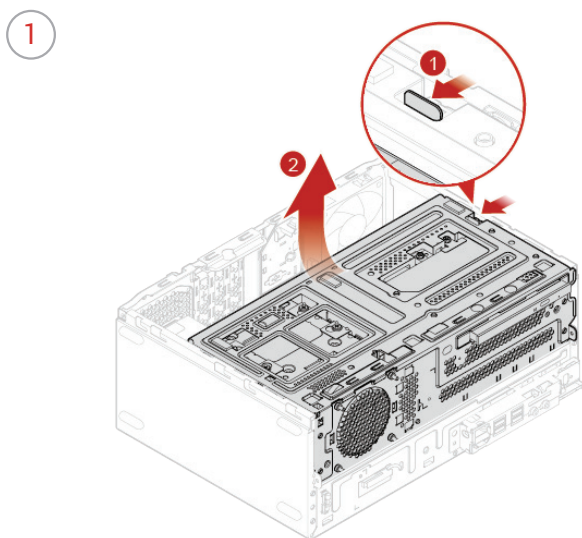
4 Reinstall the removed parts. To complete the replacement, see **Completing the parts replacement.**

Replacing a PCI Express card

Attention

Do not open your computer or attempt any repairs before reading the *Important Product Information Guide*.

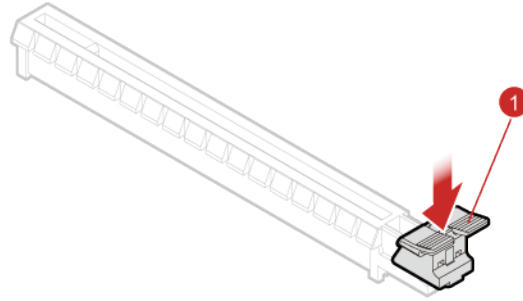
- 1 Remove the computer cover. For details, see [Removing the computer cover](#).
- 2 Remove the front bezel. For details, see [Replacing the front bezel](#).
- 3 Replace a PCI Express card.





Note

If the card is held in place by a retaining latch, press the latch as shown to disengage the latch. Then, gently remove the card from the slot.



- 4 Reinstall the removed parts. To complete the replacement, see **Completing the parts replacement.**

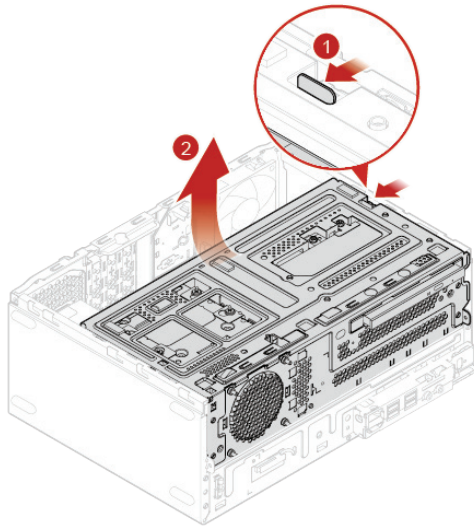
Replacing the Wi-Fi card

Attention

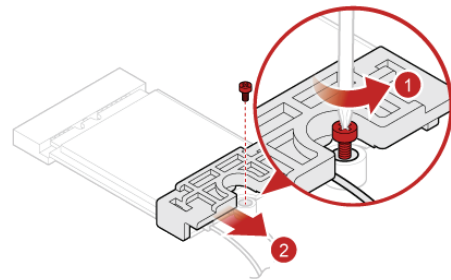
Do not open your computer or attempt any repairs before reading the *Important Product Information Guide*.

- 1 Remove the computer cover. For details, see [Removing the computer cover](#).
- 2 Remove the front bezel. For details, see [Replacing the front bezel](#).
- 3 Depending on your computer model, refer to one of the following to replace the Wi-Fi card.
 - Type 1

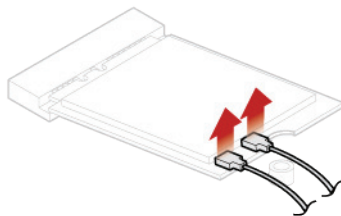
1



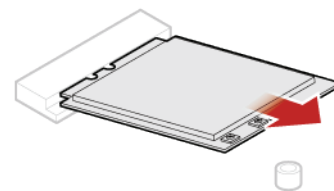
2



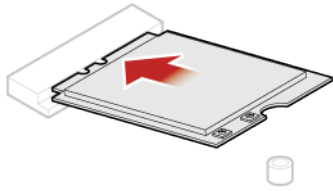
3



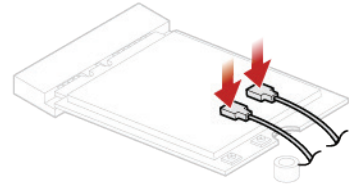
4



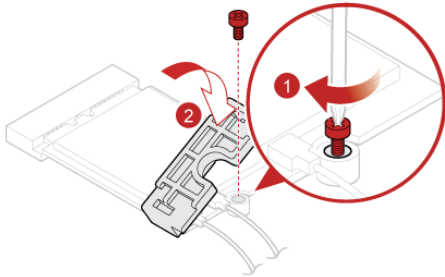
5



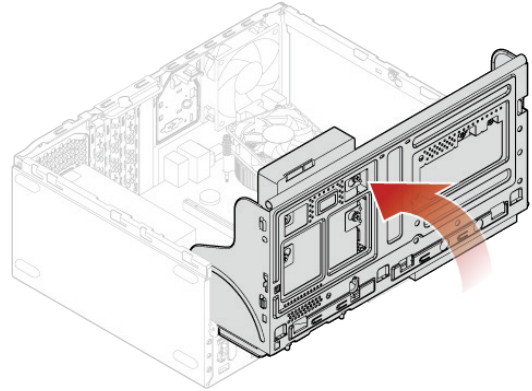
6



7

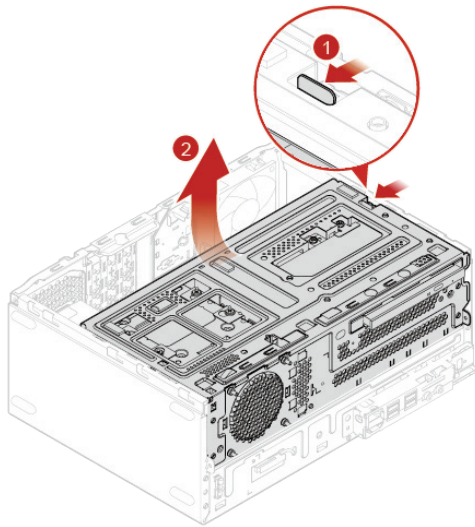


8

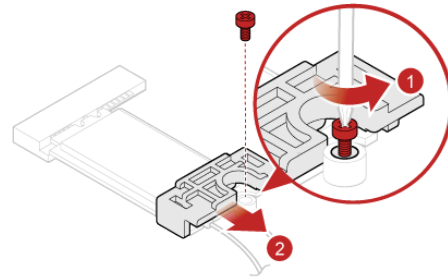


• Type 2

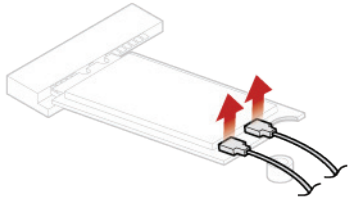
1



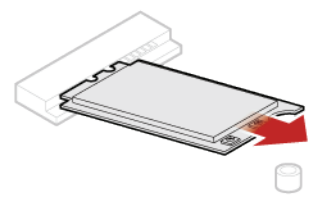
2



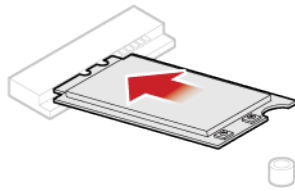
3



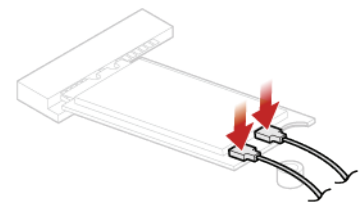
4



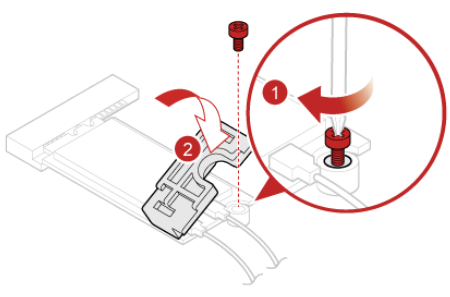
5



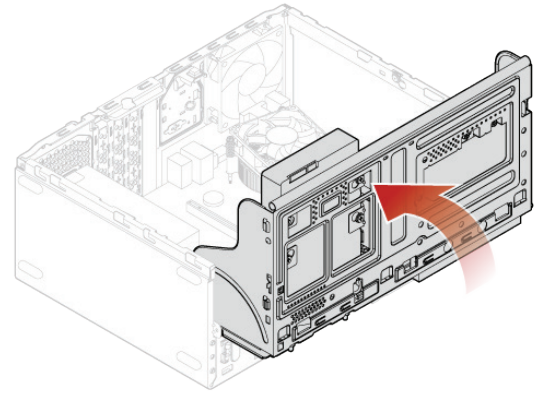
6



7



8



4 Reinstall the removed parts. To complete the replacement, see **Completing the parts replacement.**

Replacing the coin-cell battery



Attention

Do not open your computer or attempt any repairs before reading the *Important Product Information Guide*.

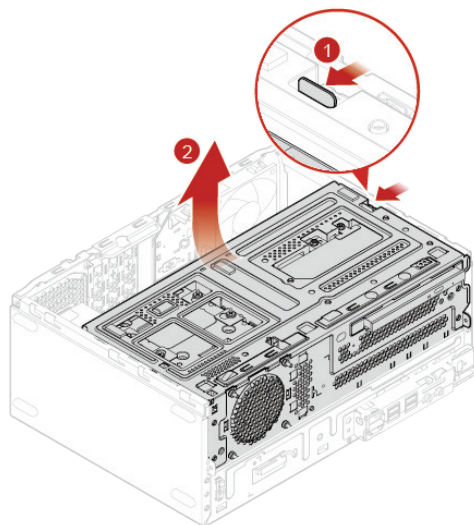
Your computer has a special type of memory that maintains the date, time, and settings for built-in features, such as parallel connector assignments (configurations). A coin-cell battery keeps this information active when you turn off the computer.

The coin-cell battery normally requires no charging or maintenance throughout its life; however, no coin-cell battery lasts forever. If the coin-cell battery fails, the date, time, and configuration information (including passwords) are lost. An error message is displayed when you turn on the computer.

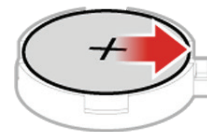
To replace the coin-cell battery,

- 1 Remove the computer cover. For details, see [Removing the computer cover](#).
- 2 Remove the front bezel. For details, see [Replacing the front bezel](#).
- 3 Replace the coin-cell battery.

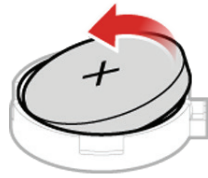
1



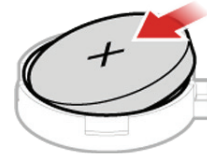
2



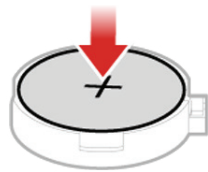
3



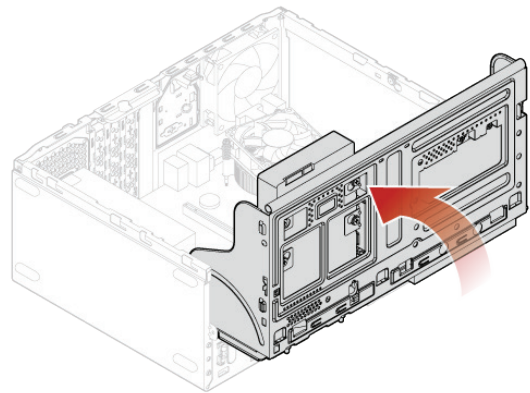
4



5



6



4 Reinstall the removed parts. To complete the replacement, see **Completing the parts replacement.**

To dispose of the coin-cell battery, refer to "Lithium coin-cell battery notice" in the *Safety and Warranty Guide*.

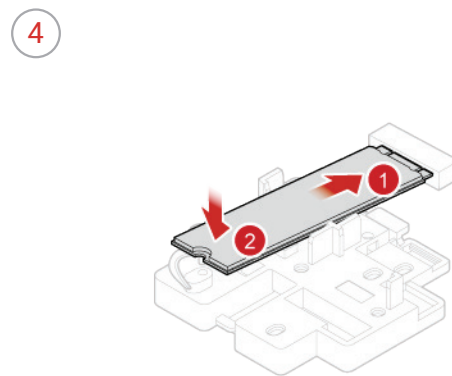
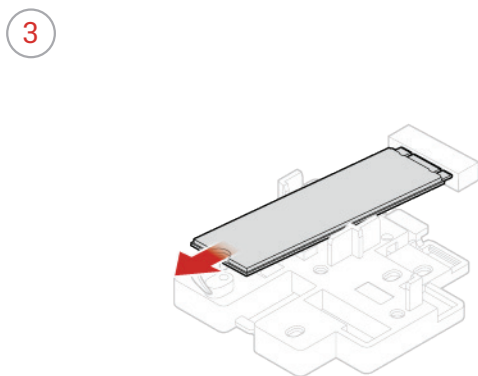
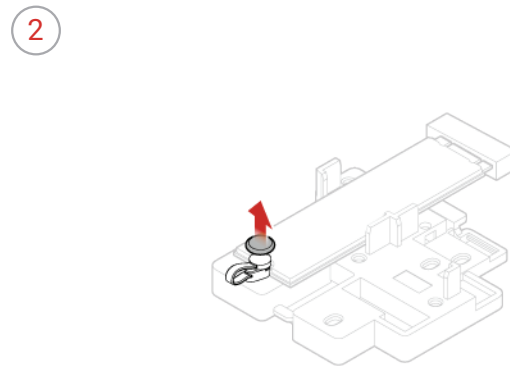
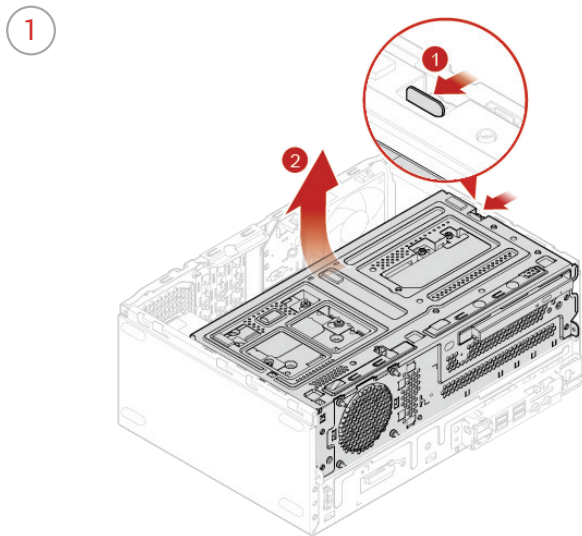
Replacing the M.2 storage drive

Attention

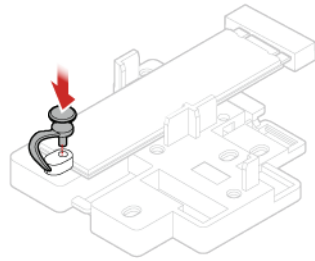
Do not open your computer or attempt any repairs before reading the *Important Product Information Guide*.

- 1 Remove the computer cover. For details, see [Removing the computer cover](#).
- 2 Remove the front bezel. For details, see [Replacing the front bezel](#).
- 3 Depending on your computer model, refer to one of the following to replace the M.2 storage drive.

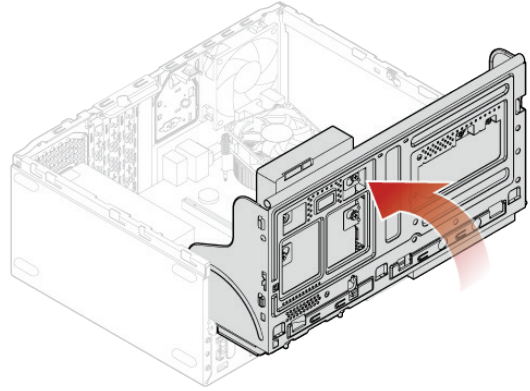
• Type 1



5

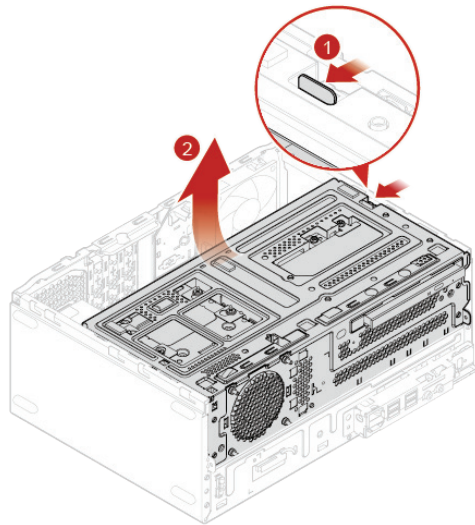


6

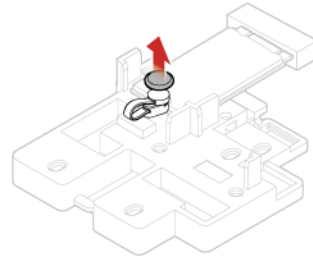


• Type 2

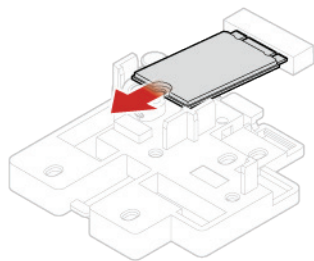
1



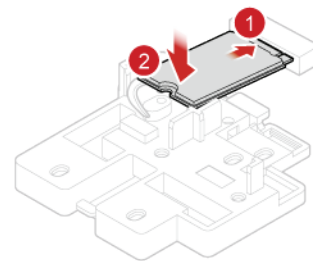
2



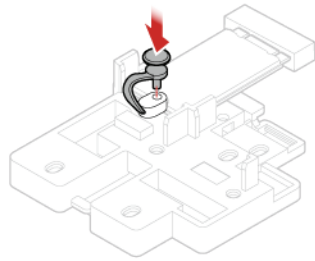
3



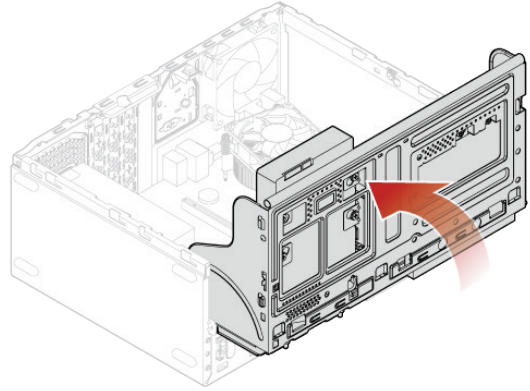
4



5



6



4 Reinstall the removed parts. To complete the replacement, see **Completing the parts replacement.**

Replacing the M.2 storage drive bracket

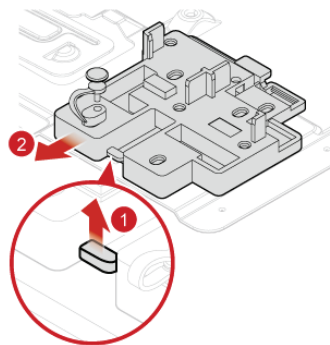


Attention

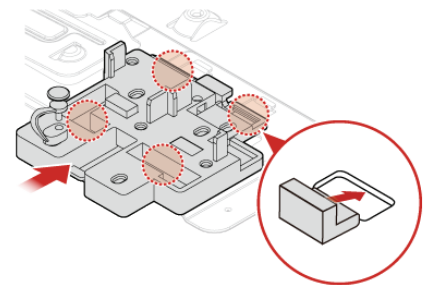
Do not open your computer or attempt any repairs before reading the *Important Product Information Guide*.

- 1 Remove the computer cover. For details, see [Removing the computer cover](#).
- 2 Remove the front bezel. For details, see [Replacing the front bezel](#).
- 3 Remove the M.2 storage drive. For details, see [Replacing the M.2 storage drive](#).
- 4 Replace the M.2 storage drive bracket.

1



2



- 5 Reinstall the removed parts. To complete the replacement, see [Completing the parts replacement](#).

Replacing the power supply assembly

Attention

Do not open your computer or attempt any repairs before reading the *Important Product Information Guide*.

Although there are no moving parts in your computer after the power cord has been disconnected, the following warnings are required for your safety and proper Underwriters Laboratories (UL) certification.

Caution

Never remove the cover on a power supply or any part that has the following label attached.

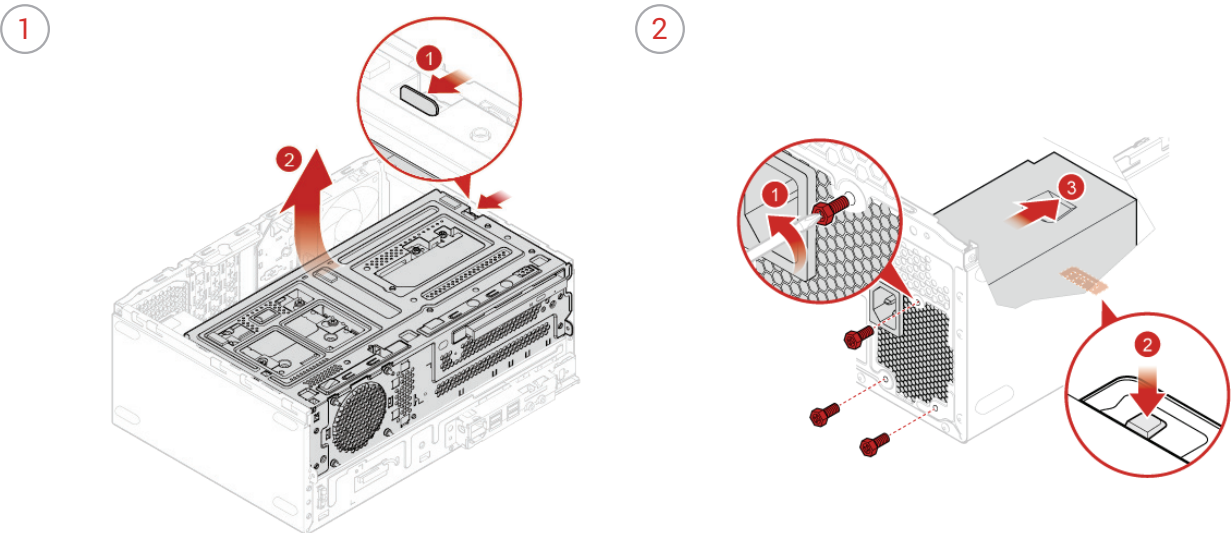


Hazardous voltage, current, and energy levels are present inside any component that has this label attached. There are no serviceable parts inside these components. If you suspect a problem with one of these parts, contact a service technician.

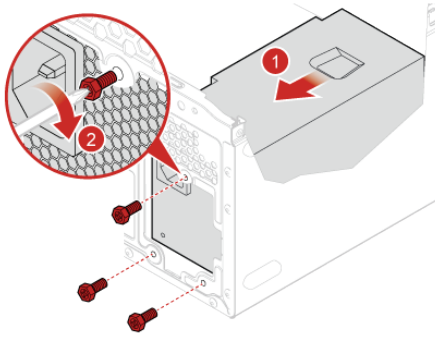
- 1 Remove the computer cover. For details, see [Removing the computer cover](#).
- 2 Remove the front bezel. For details, see [Replacing the front bezel](#).
- 3 Replace the power supply assembly.

Note

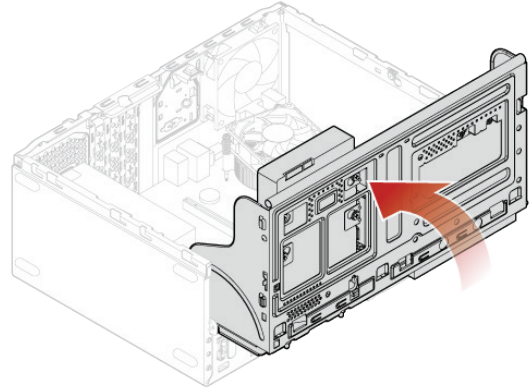
Ensure that you disconnect or reconnect the power supply assembly cables during the replacement.



3



4



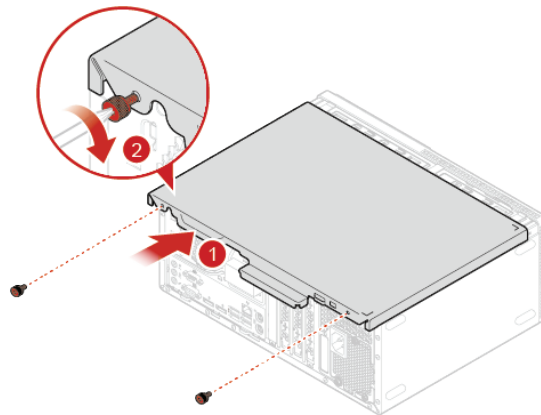
4 Reinstall the removed parts. To complete the replacement, see **Completing the parts replacement.**

Completing the parts replacement

After completing the installation or replacement for all parts, reinstall the computer cover and reconnect the cables.

To reinstall the computer cover and reconnect the cables to your computer, do the following:

- 1 Ensure that all components have been reassembled correctly and that no tools or loose screws are left inside your computer. See [System board](#) for the locations of various components in your computer.
- 2 Ensure that the cables are routed correctly before reinstalling the computer cover. Keep cables clear of the hinges and sides of the computer chassis to avoid interference when reinstalling the computer cover.
- 3 Reinstall the computer cover.



- 4 Place the computer in an upright position.
- 5 If a locking device is available, use it to lock the computer. See [Locking the computer](#).
- 6 Reconnect the external cables and power cords to the corresponding connectors on the computer. See [Front view](#) or [Rear view](#) for the locations of various components in your computer.

Replacing FRUs

Before replacing FRUs

Before replacing any FRU, read the following:

- **Only certified and trained personnel can service the computer.**
- **Before replacing an FRU, read the entire section about replacing the part.**
- **Be extremely careful during writing operations such as copying, saving, or formatting.**
The sequence of the drives in the computer that you are servicing might have been altered. If you select an incorrect drive, data or programs might be overwritten.
- **Replace an FRU only with another FRU of the correct model.**
When you replace an FRU, ensure that the model of the machine and the FRU part number are correct by referring to the website <http://www.lenovo.com/serviceparts-lookup>.
- **An FRU should not be replaced because of a single, unreproducible failure.**
Single failures can occur for a variety of reasons that have nothing to do with a hardware defect, such as cosmic radiation, electrostatic discharge, or software errors. Consider replacing an FRU only when a problem recurs. If you suspect that an FRU is defective, clear the error log and run the test again. If the error does not recur, do not replace the FRU.
- **Only replace a defective FRU.**

To check the locations of FRUs, see [CRUs and FRUs locations](#).

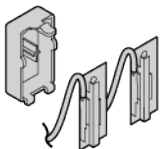


Attention

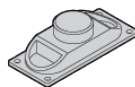
Do not open your computer or attempt any repairs before reading the *Important Product Information Guide*.

Before replacing an FRU, click the illustration of the part to check the brief procedures.

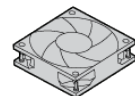
Wi-Fi antennas



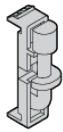
Internal speaker



Front fan



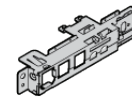
Thermal sensor >



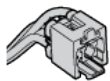
Illuminated red dot cable >



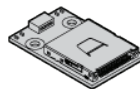
Front I/O bracket >



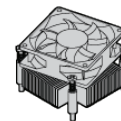
Power button board >



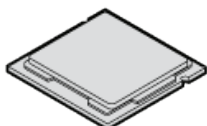
Card reader board >



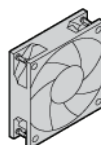
Heat sink and fan assembly >



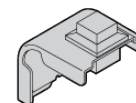
Microprocessor >



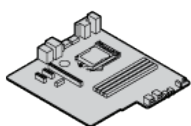
Rear fan >



Cover presence switch >



System board >



Note

To replace a component that is not in the list above, contact a Lenovo service technician. The support phone numbers are available at <http://www.lenovo.com/support/phone>.

Replacing the Wi-Fi antennas



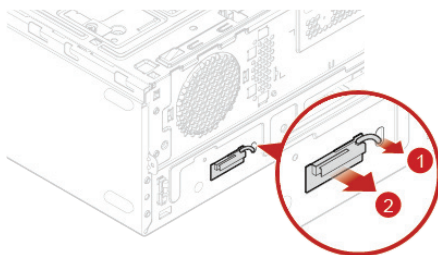
Attention

Do not open your computer or attempt any repairs before reading the *Important Product Information Guide*.

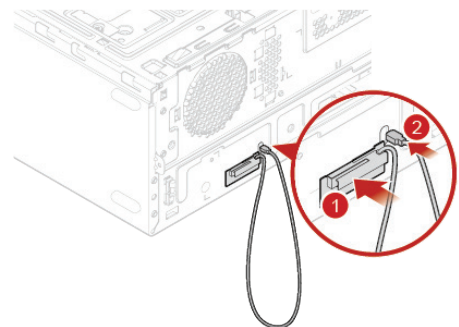
Replacing the front Wi-Fi antenna

- 1 Remove the computer cover. For details, see [Removing the computer cover](#).
- 2 Remove the front bezel. For details, see [Replacing the front bezel](#).
- 3 Replace the front Wi-Fi antenna.

1



2

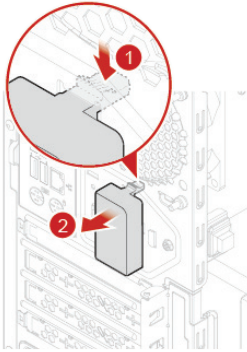


- 4 Reinstall the removed parts and computer cover. For details, see [Completing the parts replacement](#).

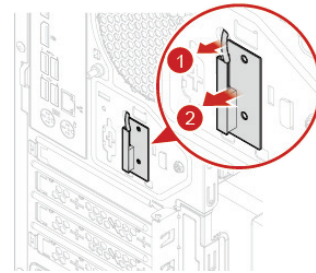
Replacing the rear Wi-Fi antenna

- 1 Remove any media from the drives and turn off all connected devices and the computer.
- 2 Disconnect all power cords from electrical outlets and disconnect all cables that are connected to the computer.
- 3 Replace the rear Wi-Fi antenna.

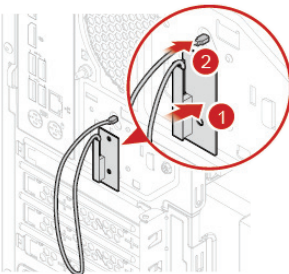
1



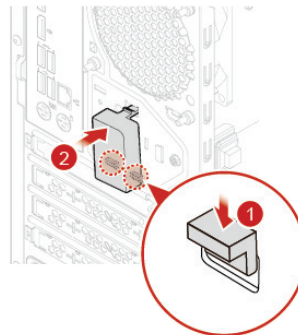
2



3



4



Replacing the internal speaker

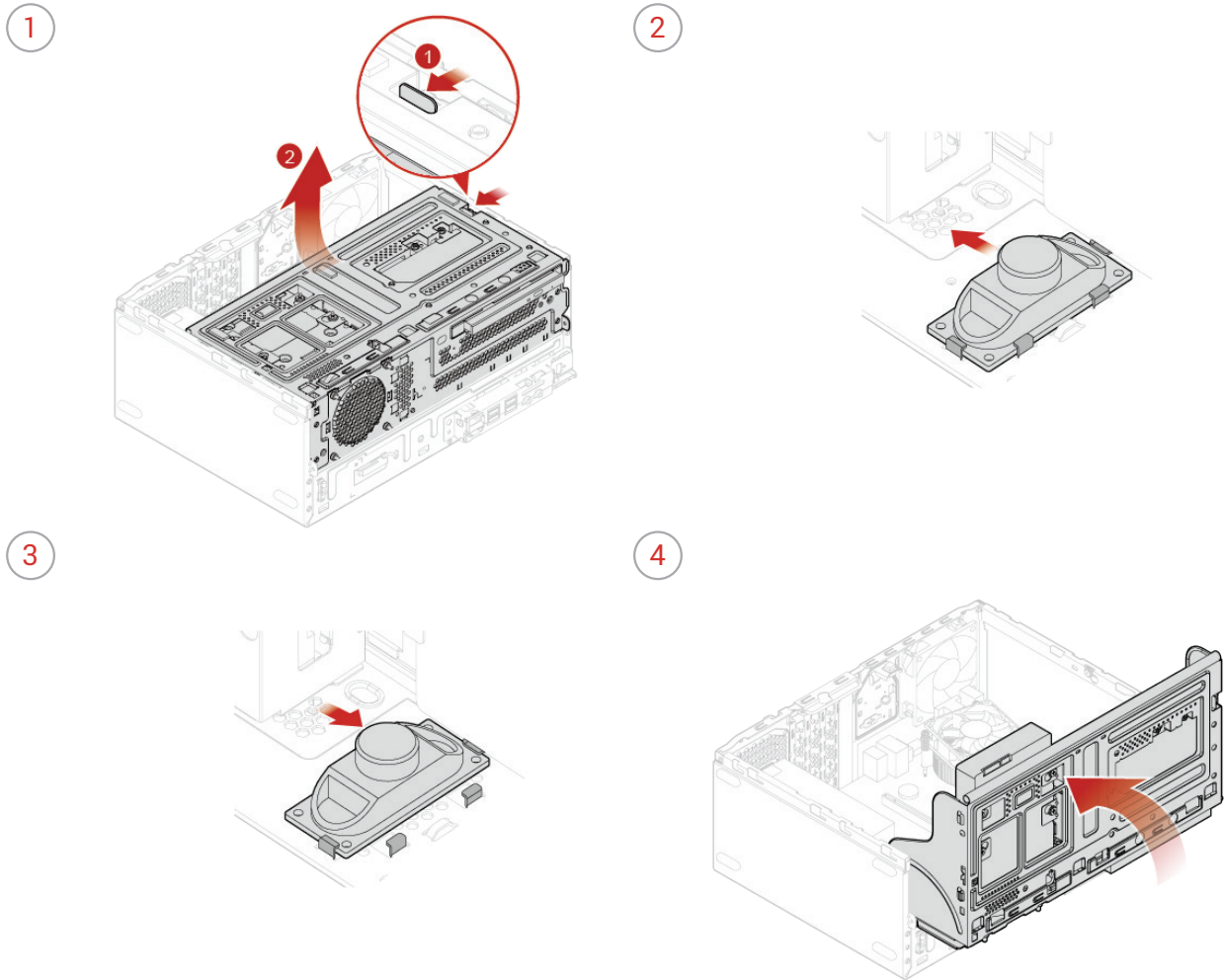
⚠ Attention

Do not open your computer or attempt any repairs before reading the *Important Product Information Guide*.

- 1 Remove the computer cover. For details, see [Removing the computer cover](#).
- 2 Remove the front bezel. For details, see [Replacing the front bezel](#).
- 3 Replace the internal speaker.

🗨 Note

Ensure that you disconnect or reconnect the internal speaker cables during the replacement.



- 4 Reinstall the removed parts. To complete the replacement, see [Completing the parts replacement](#).

Replacing the front fan

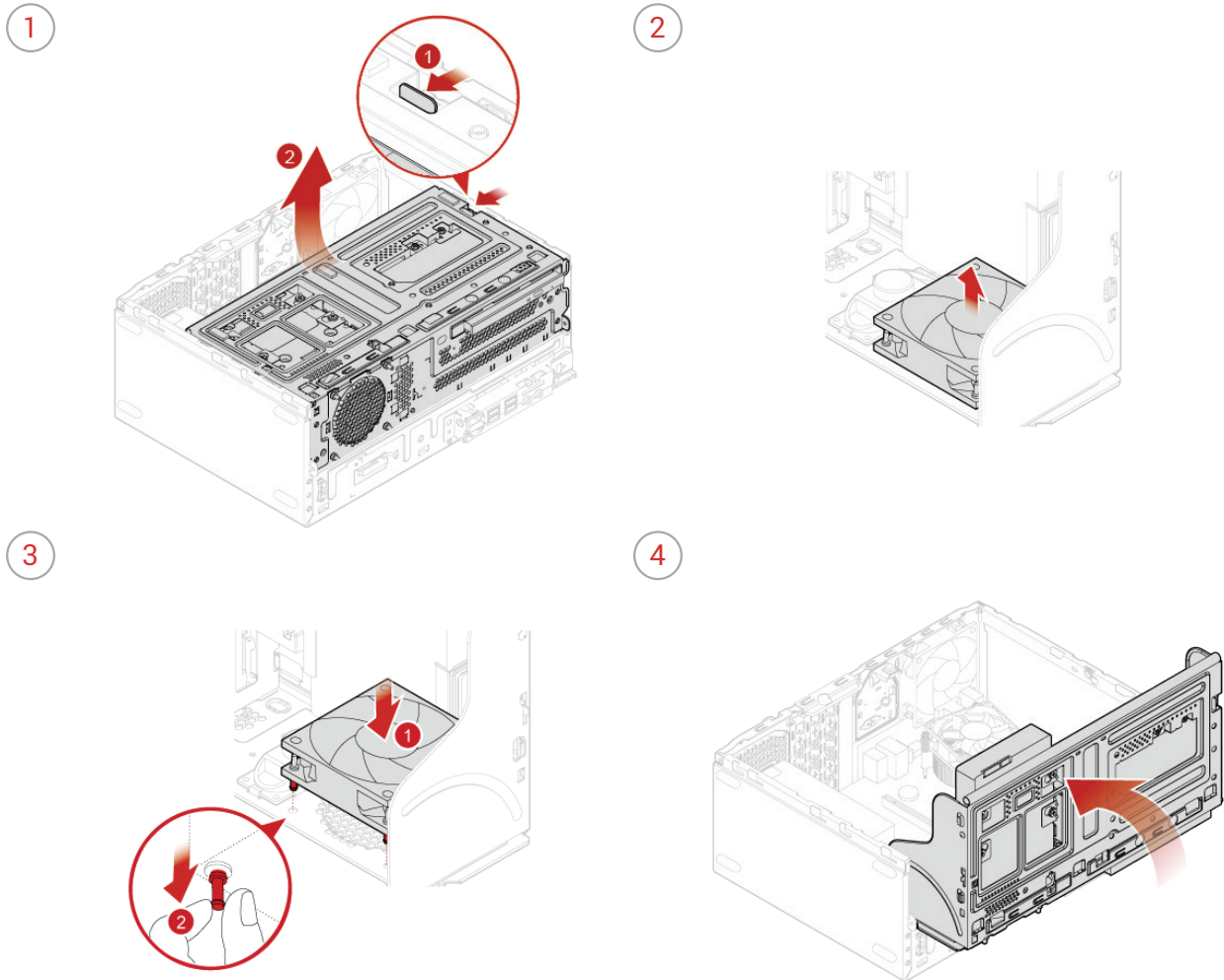
Attention

Do not open your computer or attempt any repairs before reading the *Important Product Information Guide*.

- 1 Remove the computer cover. For details, see [Removing the computer cover](#).
- 2 Remove the front bezel. For details, see [Replacing the front bezel](#).
- 3 Replace the front fan.

Note

Ensure that you disconnect or reconnect the front fan cable during the replacement.



- 4 Reinstall the removed parts. To complete the replacement, see [Completing the parts replacement](#).

Replacing the thermal sensor



Attention

Do not open your computer or attempt any repairs before reading the *Important Product Information Guide*.

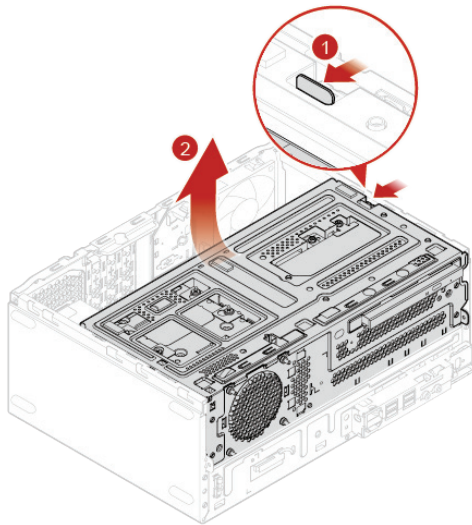
- 1 Remove the computer cover. For details, see [Removing the computer cover](#).
- 2 Remove the front bezel. For details, see [Replacing the front bezel](#).
- 3 Replace the thermal sensor.



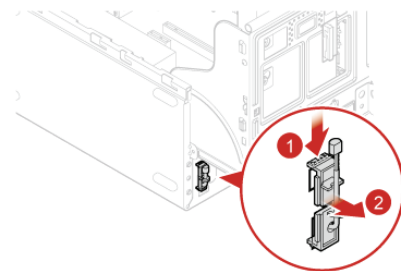
Note

Ensure that you disconnect or reconnect the thermal sensor cable during the replacement.

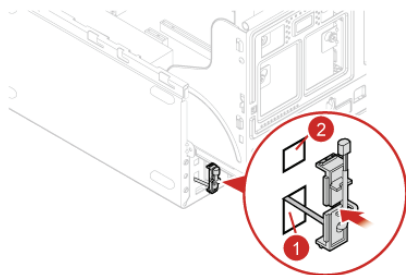
1



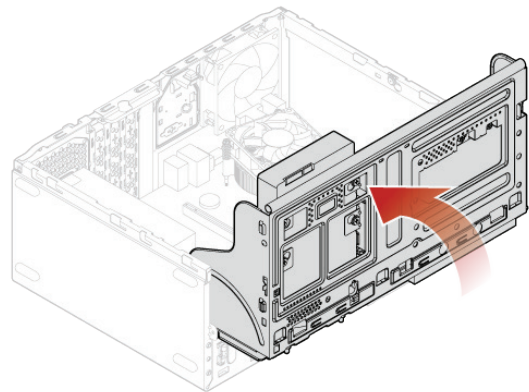
2



3



4



- 4 Reinstall the removed parts. To complete the replacement, see [Completing the parts replacement](#).

Replacing the illuminated red dot cable

⚠ Attention

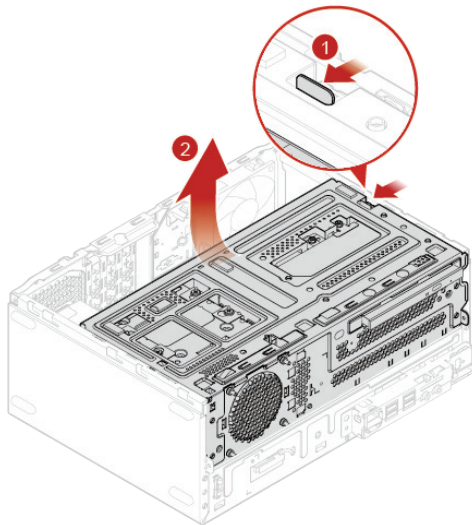
Do not open your computer or attempt any repairs before reading the *Important Product Information Guide*.

- 1 Remove the computer cover. For details, see [Removing the computer cover](#).
- 2 Remove the front bezel. For details, see [Replacing the front bezel](#).
- 3 Replace the illuminated red dot cable.

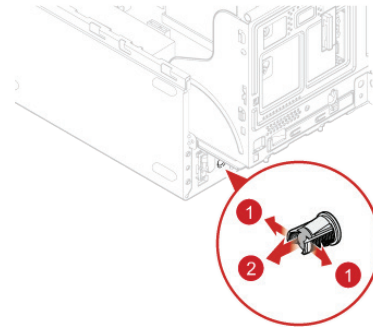
📄 Note

Ensure that you disconnect or reconnect the illuminated red dot cable during the replacement.

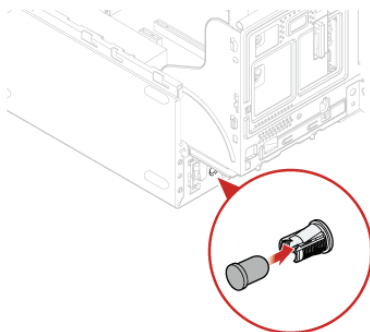
1



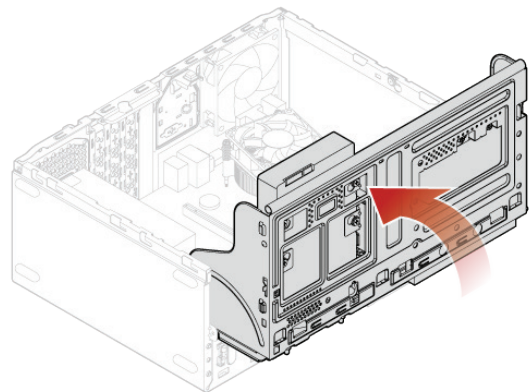
2



3



4



- 4 Reinstall the removed parts. To complete the replacement, see [Completing the parts replacement](#).

Replacing the front I/O bracket



Attention

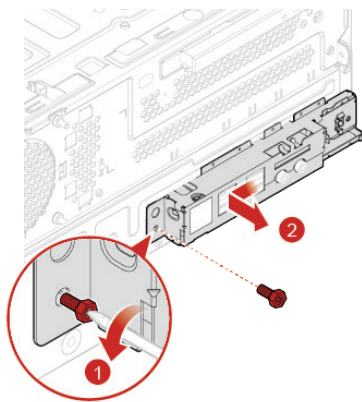
Do not open your computer or attempt any repairs before reading the *Important Product Information Guide*.

1 Remove the computer cover. For details, see [Removing the computer cover](#).

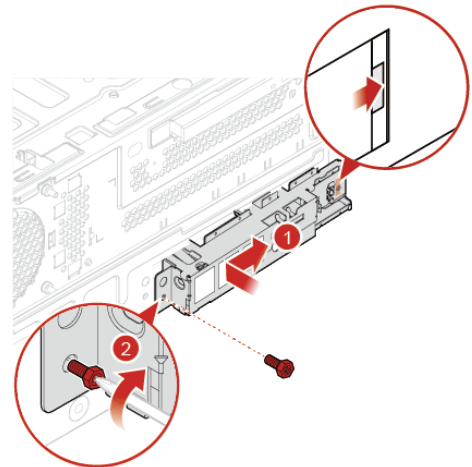
2 Remove the front bezel. For details, see [Replacing the front bezel](#).

3 Replace the front I/O bracket.

1



2



4 Reinstall the removed parts. To complete the replacement, see [Completing the parts replacement](#).

Replacing the power button board

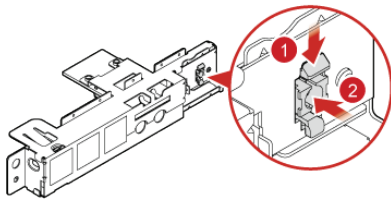


Attention

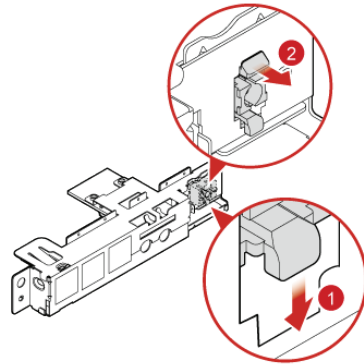
Do not open your computer or attempt any repairs before reading the *Important Product Information Guide*.

- 1 Remove the computer cover. For details, see [Removing the computer cover](#).
- 2 Remove the front bezel. For details, see [Replacing the front bezel](#).
- 3 Remove the front I/O bracket. For details, see [Replacing the front I/O bracket](#).
- 4 Disconnect the power button board cable from the system board.
- 5 Replace the power button board.

1



2



- 6 Connect the new power button board cable to the system board.
- 7 Reinstall the removed parts. To complete the replacement, see [Completing the parts replacement](#).

Replacing the card reader board

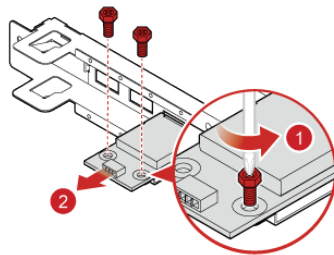


Attention

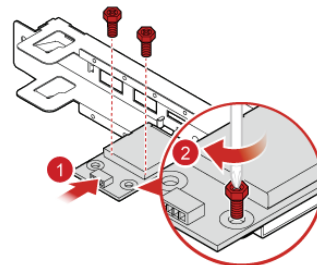
Do not open your computer or attempt any repairs before reading the *Important Product Information Guide*.

- 1 Remove the computer cover. For details, see [Removing the computer cover](#).
- 2 Remove the front bezel. For details, see [Replacing the front bezel](#).
- 3 Remove the front I/O bracket. For details, see [Replacing the front I/O bracket](#).
- 4 Disconnect the card reader cable from the system board.
- 5 Replace the card reader board.

1



2



- 6 Connect the new card reader cable to the system board.
- 7 Reinstall the removed parts. To complete the replacement, see [Completing the parts replacement](#).

Replacing the heat sink and fan assembly

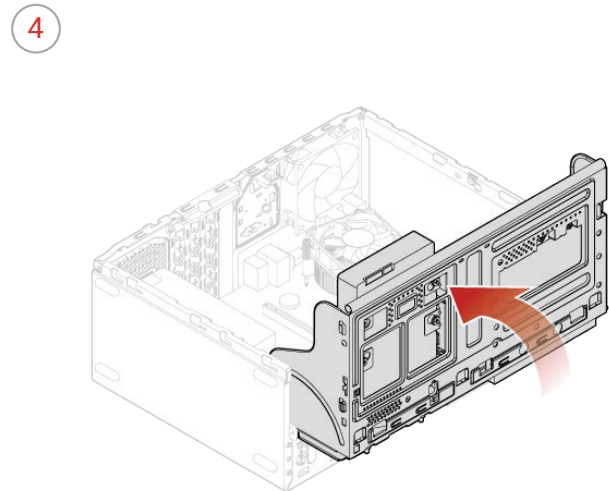
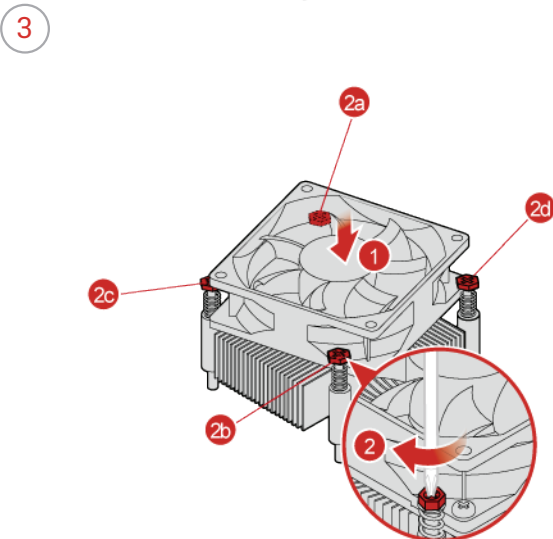
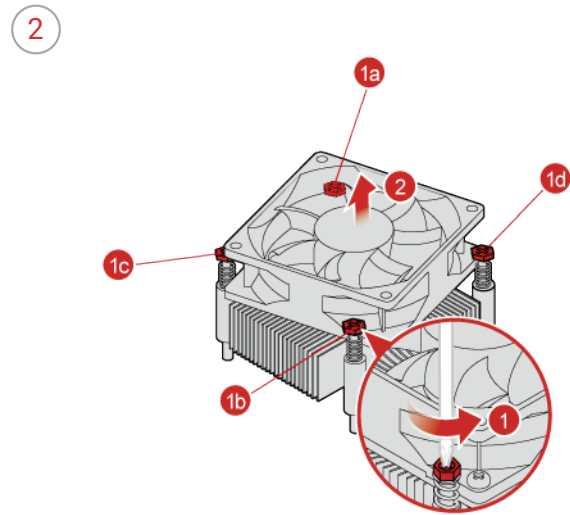
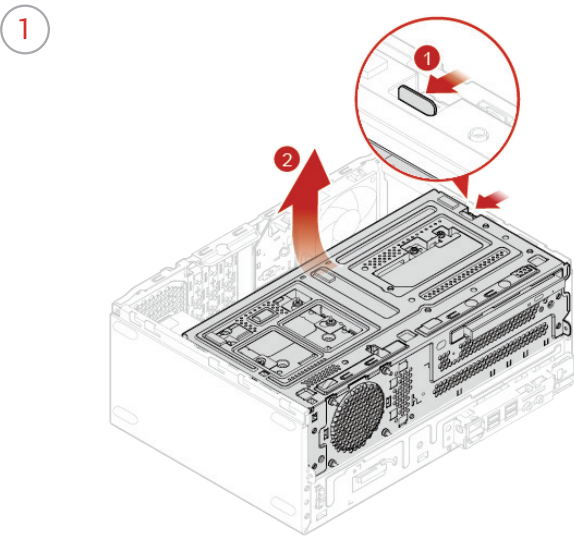
! Attention

Do not open your computer or attempt any repairs before reading the *Important Product Information Guide*.

1 Remove the computer cover. For details, see [Removing the computer cover](#).

2 Remove the front bezel. For details, see [Replacing the front bezel](#).

3 Replace the heat sink and fan assembly.



4 Reinstall the removed parts. To complete the replacement, see [Completing the parts replacement](#).

Replacing the microprocessor



Attention

Do not open your computer or attempt any repairs before reading the *Important Product Information Guide*.



Caution

The heat sink and fan assembly and microprocessor might be very hot. Before you open the computer cover, turn off the computer and wait several minutes until the computer is cool.

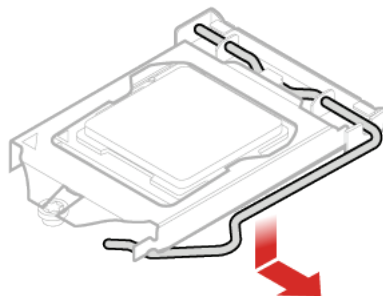
- 1 Remove the computer cover. For details, see [Removing the computer cover](#).
- 2 Remove the front bezel. For details, see [Replacing the front bezel](#).
- 3 Remove the heat sink and fan assembly. For details, see [Replacing the heat sink and fan assembly](#).
- 4 Disconnect all cables connected to the system board.
- 5 Replace the microprocessor.



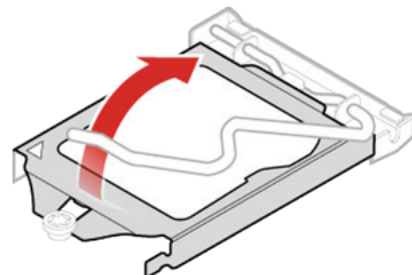
Note

- Your microprocessor and socket might look different from the one illustrated.
- Touch only the edges of the microprocessor. Do not touch the gold contacts on the bottom.
- Do not drop anything onto the microprocessor socket while it is exposed. The socket pins must be kept as clean as possible.

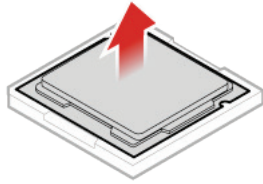
1



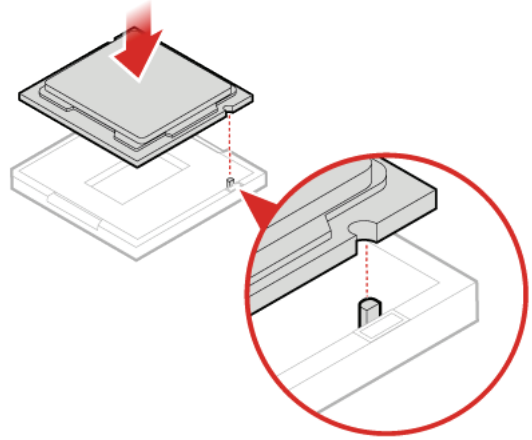
2



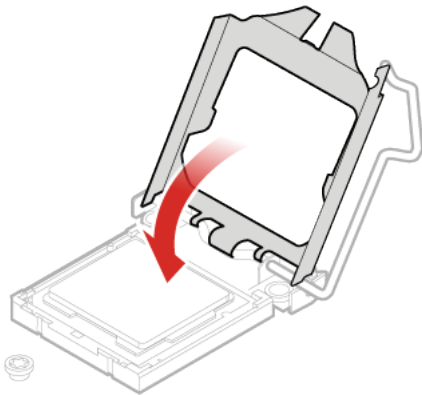
3



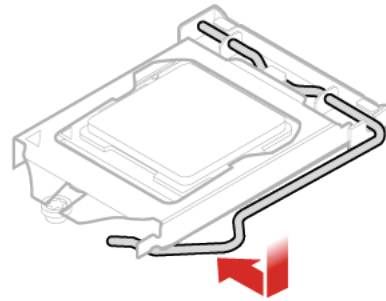
4



5



6



6 Reconnect all cables that were disconnected from the system board.

7 Reinstall the removed parts. To complete the replacement, see **Completing the parts replacement.**

Replacing the rear fan



Attention

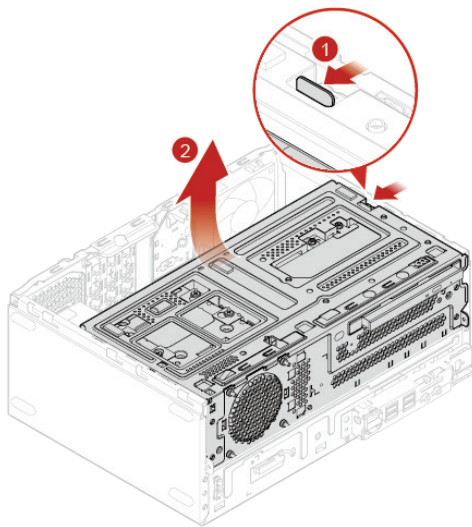
Do not open your computer or attempt any repairs before reading the *Important Product Information Guide*.

1 Remove the computer cover. For details, see [Removing the computer cover](#).

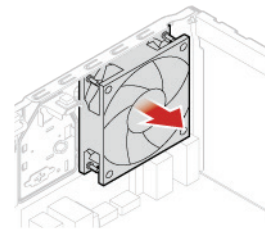
2 Remove the front bezel. For details, see [Replacing the front bezel](#).

3 Replace the rear fan.

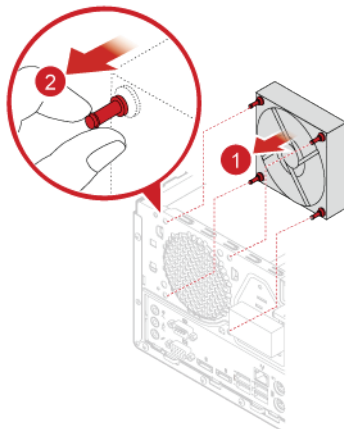
1



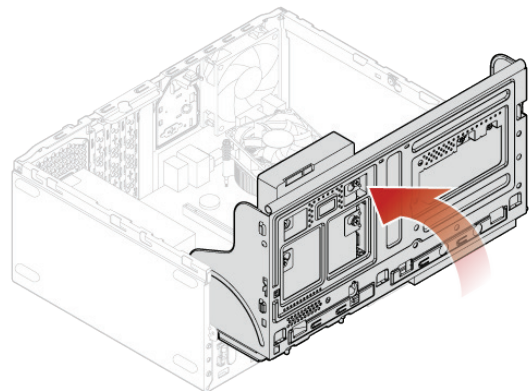
2



3



4



4 Reinstall the removed parts. To complete the replacement, see [Completing the parts replacement](#).

Replacing the cover presence switch

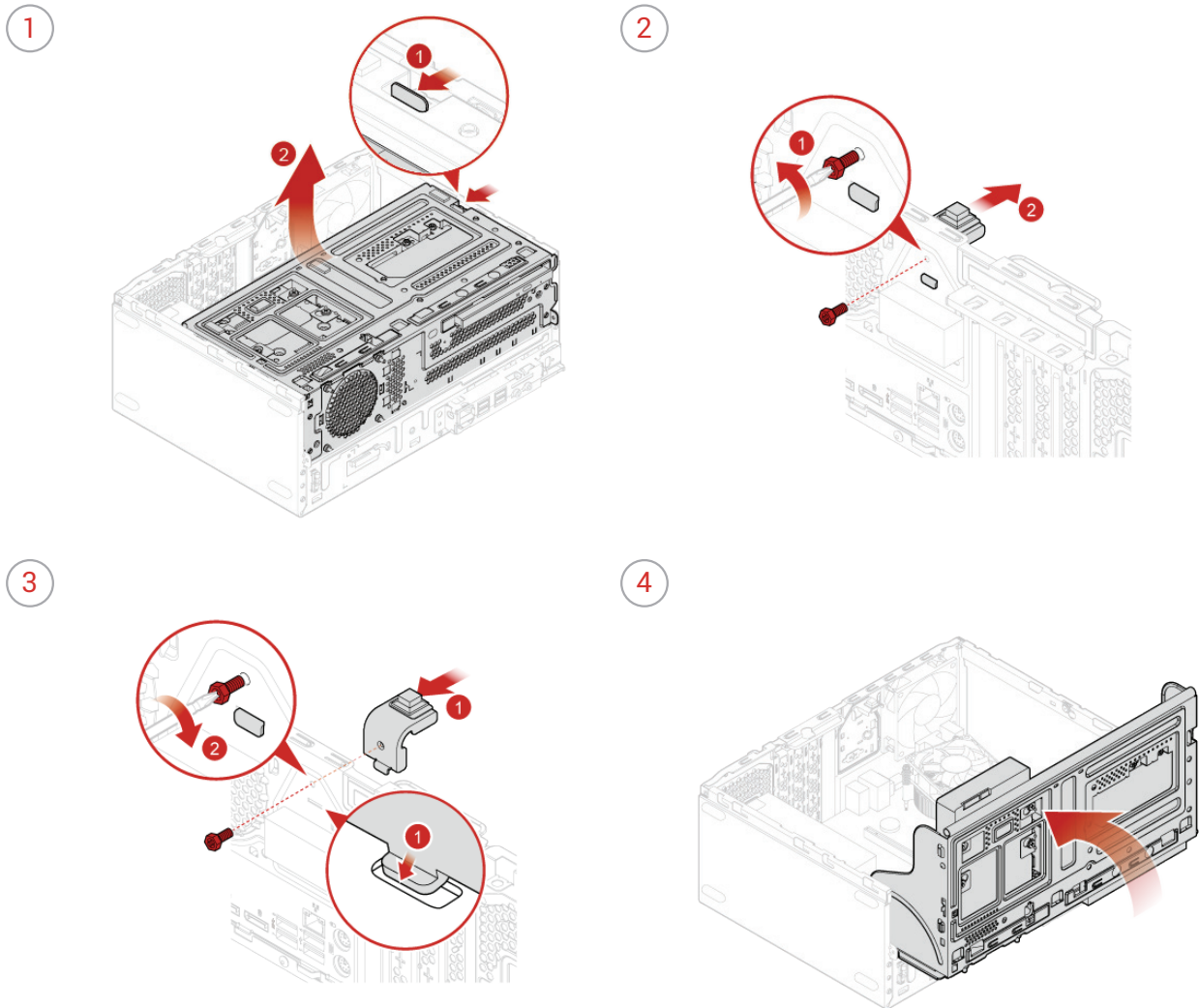
Attention

Do not open your computer or attempt any repairs before reading the *Important Product Information Guide*.

- 1 Remove the computer cover. For details, see [Removing the computer cover](#).
- 2 Remove the front bezel. For details, see [Replacing the front bezel](#).
- 3 Replace the cover presence switch.

Note

Ensure that you disconnect or reconnect the cover presence switch cable during the replacement.



- 4 Complete the replacement. For details, see [Completing the parts replacement](#).

Replacing the system board and chassis



Attention

Do not open your computer or attempt any repairs before reading the *Important Product Information Guide*.

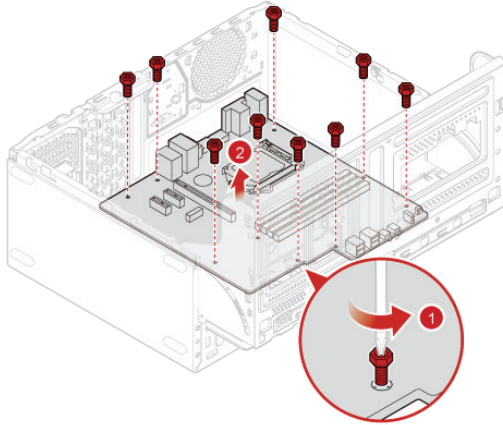
- 1 Remove the computer cover. For details, see [Removing the computer cover](#).
- 2 Remove the front bezel. For details, see [Replacing the front bezel](#).
- 3 Remove the front I/O bracket, power button board, and card reader board. For details, see [Replacing the front I/O bracket](#).
- 4 Remove all memory modules. For details, see [Replacing a memory module](#).
- 5 Remove the heat sink and fan assembly. For details, see [Replacing the heat sink and fan assembly](#).
- 6 Remove the Microprocessor. For details, see [Replacing the microprocessor](#).
- 7 Remove all PCI Express cards. For details, see [Replacing a PCI Express card](#).
- 8 Remove the Wi-Fi card. For details, see [Replacing the Wi-Fi card](#).
- 9 Remove the M.2 storage drive. For details, see [Replacing the M.2 storage drive](#).
- 10 Record the cable routing and cable connections, and then disconnect all cables from the system board. See [System board](#).
- 11 Replace the system board.



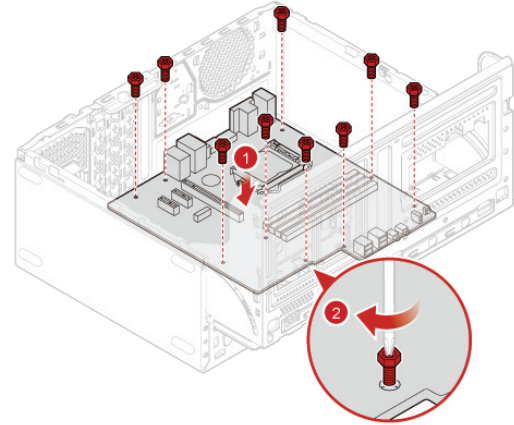
Note

Carefully handle the system board by its edges.

1



2



- 12 Route all the cables that you disconnected from the failing system board, and then reconnect the cables to the new system board. See **System board.**
- 13 Reinstall the removed parts. To complete the replacement, see **Completing the parts replacement.**

Notices & Trademarks

Notices

Lenovo may not offer the products, services, or features discussed in this document in all countries. Consult your local Lenovo representative for information on the products and services currently available in your area. Any reference to a Lenovo product, program, or service is not intended to state or imply that only that Lenovo product, program, or service may be used. Any functionally equivalent product, program, or service that does not infringe any Lenovo intellectual property right may be used instead. However, it is the user's responsibility to evaluate and verify the operation of any other product, program, or service.

Lenovo may have patents or pending patent applications covering subject matter described in this document. The furnishing of this document does not give you any license to these patents. You can send license inquiries, in writing, to:

Lenovo (United States), Inc.
1009 Think Place - Building One
Morrisville, NC 27560
U.S.A.
Attention: Lenovo Director of Licensing

LENOVO PROVIDES THIS PUBLICATION AS IS WITHOUT WARRANTY OF ANY KIND, EITHER EXPRESS OR IMPLIED, INCLUDING, BUT NOT LIMITED TO, THE IMPLIED WARRANTIES OF NON-INFRINGEMENT, MERCHANTABILITY OR FITNESS FOR A PARTICULAR PURPOSE. Some jurisdictions do not allow disclaimer of express or implied warranties in certain transactions, therefore, this statement may not apply to you.

This information could include technical inaccuracies or typographical errors. Changes are periodically made to the information herein; these changes will be incorporated in new editions of the publication. Lenovo may make improvements and/or changes in the product(s) and/or the program(s) described in this publication at any time without notice.

The products described in this document are not intended for use in implantation or other life support applications where malfunction may result in injury or death to persons. The information contained in this document does not affect or change Lenovo product specifications or warranties. Nothing in this document shall operate as an express or implied license or indemnity under the intellectual property rights of Lenovo or third parties. All information contained in this document was obtained in specific environments and is presented as an illustration. The result obtained in other operating environments may vary.

Lenovo may use or distribute any of the information you supply in any way it believes appropriate without incurring any obligation to you.

Any references in this publication to non-Lenovo Web sites are provided for convenience only and do not in any manner serve as an endorsement of those Web sites. The materials at those Web sites are not part of the materials for this Lenovo product, and use of those Web sites is at your own risk.

Any performance data contained herein was determined in a controlled environment. Therefore, the result obtained in other operating environments may vary significantly. Some measurements may have been made on development-level systems and there is no guarantee that these measurements will be the same on generally available systems. Furthermore, some measurements may have been estimated through extrapolation. Actual results may vary. Users of this document should verify the applicable data for their specific environment.

Trademarks

The following terms are trademarks of Lenovo in the United States, other countries, or both:

Lenovo

The Lenovo logo

ThinkCentre

The ThinkCentre logo

DisplayPort is a trademark of the Video Electronics Standards Association.

Other company, product, or service names may be trademarks or service marks of others.