



# Lenovo Ultralim Plus Wireless Keyboard & Mouse User Guide

 <http://www.lenovo.com/safety>

**Note:** Before installing the product, be sure to read the warranty information in Appendix B “Lenovo Limited Warranty” on page 15.

**Sixth Edition (February 2016)**

**© Copyright Lenovo 2011, 2016.**

LIMITED AND RESTRICTED RIGHTS NOTICE: If data or software is delivered pursuant to a General Services Administration “GSA” contract, use, reproduction, or disclosure is subject to restrictions set forth in Contract No. GS-35F-05925.

---

# Contents

<b>Safety information</b> . . . . .	<b>iii</b>	Part 1 - General Terms . . . . .	15
<b>Chapter 1. About the keyboard and mouse</b> . . . . .	<b>1</b>	Part 2 - Country-specific Terms . . . . .	17
Product description . . . . .	1	Part 3 - Warranty Service Information . . . . .	20
Keyboard front view . . . . .	1	Suplemento de Garantía para México . . . . .	21
Keyboard rear view . . . . .	2	<b>Appendix C. Compliance information</b> . . . . .	<b>23</b>
Mouse front view and rear view . . . . .	3	Electronic emission notices . . . . .	23
Supported operating systems . . . . .	3	Federal Communications Commission Declaration of Conformity . . . . .	23
<b>Chapter 2. Installing and uninstalling the device driver</b> . . . . .	<b>5</b>	<b>Appendix D. Notices.</b> . . . . .	<b>37</b>
Installing the device driver on Windows operating systems . . . . .	5	Recycling and environmental information . . . . .	37
Uninstalling the device driver from Windows operating systems . . . . .	5	Recycling information for China . . . . .	37
<b>Chapter 3. Installing the keyboard and mouse</b> . . . . .	<b>7</b>	Recycling information for Brazil . . . . .	38
<b>Chapter 4. Storing the dongle.</b> . . . .	<b>11</b>	Battery recycling information for the European Union . . . . .	38
<b>Appendix A. Service and Support.</b> . . . .	<b>13</b>	Export Classification Notice . . . . .	39
Online technical support . . . . .	13	Important WEEE information . . . . .	39
Telephone technical support . . . . .	13	Trademarks . . . . .	40
Accessibility information . . . . .	13	<b>Appendix E. Restriction of Hazardous Substances Directive (RoHS)</b> . . . . .	<b>41</b>
<b>Appendix B. Lenovo Limited Warranty.</b> . . . . .	<b>15</b>	European Union RoHS . . . . .	41
		China RoHS . . . . .	41
		Turkish RoHS . . . . .	41
		Ukraine RoHS . . . . .	41
		India RoHS . . . . .	42



---

## Safety information

Before using the product, be sure to read the safety documentation that comes with the product.

Antes de usar o produto, certifique-se de ler a documentação de segurança incluída.

Prije korištenja proizvoda svakako pročitajte priloženu dokumentaciju koja se tiče sigurnosti.

Před použitím produktu je třeba si přečíst bezpečnostní dokumentaci, která je dodávána s produktem.

Før du bruger produktet, skal du sørge for at læse de sikkerhedsforskrifter, der følger med produktet.

Lue tuotteen mukana toimitetut turvaohjeet ennen tämän tuotteen käyttöä.

Avant d'utiliser le produit, veuillez à bien lire la documentation relative à la sécurité fournie avec le produit.

Πριν να χρησιμοποιήσετε το προϊόν, διαβάστε τα έγγραφα για την ασφάλεια που το συνοδεύουν.

Vor Verwendung des Produkts sollten Sie unbedingt die Sicherheitsdokumentation lesen, die im Lieferumfang des Produkts enthalten ist.

A termék használatá elött mindenképpen olvassa el a termékhez kapott biztonsági előírásokat.

Prima di utilizzare il prodotto, accertarsi di leggere la documentazione sulla sicurezza fornita con il prodotto.

Пред користење на производот, прочитајте ја документацијата за безбедност што се доставува со него.

Lees, voordat u het product gebruikt, de veiligheidsdocumentatie die met het product is meegeleverd.

Før du bruker produktet, må du lese sikkerhetsdokumentasjonen som følger med produktet.

Przed skorzystaniem z produktu należy zapoznać się z dokumentacją na temat bezpieczeństwa dostarczoną wraz z produktem.

Antes de utilizar o produto, certifique-se de que lê a documentação de segurança fornecida com o produto.

Прежде чем использовать этот продукт, ознакомьтесь с документацией по технике безопасности, входящей в комплект поставки продукта.

Pred používaním produktu si prečítajte bezpečnostnú dokumentáciu dodanú s produktom.

Preden začnete uporabljati izdelek, preberite varnostno dokumentacijo, ki ste jo prejeli skupaj z izdelkom.

Antes de utilizar el producto, asegúrese de leer la documentación de seguridad que se entrega junto con este.

Läs säkerhetsinstruktionerna som följer med produkten innan du börjar använda den.

قبل استخدام المنتج، تأكد من قراءة مستندات السلامة المرفقة مع المنتج.

לפני השימוש במוצר, הקפידו לקרוא את הוראות הבטיחות המצורפות למוצר.

製品をご使用になる前に、製品に付属の安全に関する資料をお読みください。

제품을 사용하기 전에 제품과 함께 제공되는 안전 문서를 반드시 읽어 주십시오.

使用产品前，务必先阅读产品附带的安全文档。

使用本產品之前，請務必閱讀產品隨附的安全文件。

---

## Chapter 1. About the keyboard and mouse

This chapter provides product description and instructions for the Lenovo Ultralim Plus Wireless Keyboard & Mouse (hereafter called the keyboard and mouse).

---

### Product description

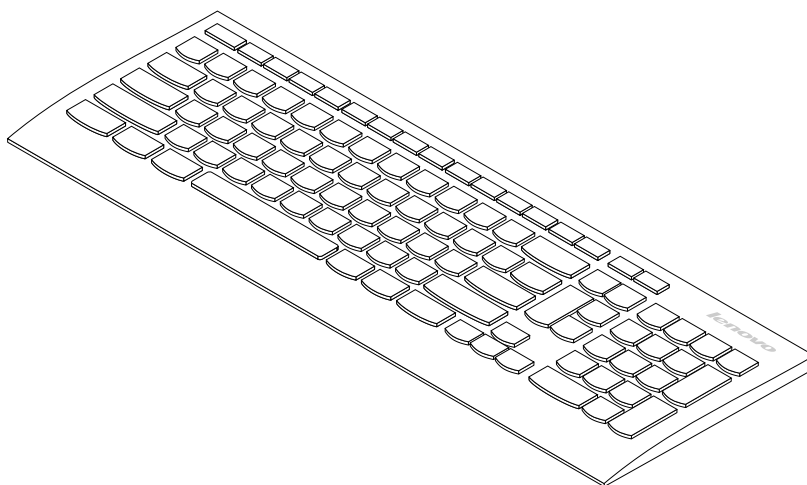
The keyboard and mouse are designed with the advanced 2.4 GHz wireless technology, which ensures consistent and reliable connectivity. The keyboard is designed with the popular hotkey functionality, which enables one-touch control to quickly play, adjust, or mute audio and video files. The mouse features high-precision laser and scroll wheel side-to-side scrolling, which help you easily navigate through documents and Web pages. The mini nano dongle, which supports the plug and play functionality, is stored neatly inside the mouse for travel.

Your option package includes the following:

- Keyboard
- Mouse
- Two AA batteries
- Two AAA batteries
- Warranty book
- *Software and User Guide Disc*







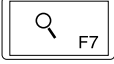





### Keyboard front view

The following illustration shows the front view of the keyboard.



*Figure 1. Keyboard front view*

## Hotkey functions:

	Mute/Unmute the system speaker.		Decrease the system speaker volume.
	Increase the system speaker volume.		Mute/Unmute the microphone.
	Refresh.		Lock the operating system.
	Start the operating system search.		Open <b>My Computer, Computer</b> or <b>This PC</b> .
	Open <b>Printer</b> .		Go back to the previous track.
	Play/Pause the media file.		Go to the next track.

## Keyboard rear view

The following illustration shows the rear view of the keyboard.

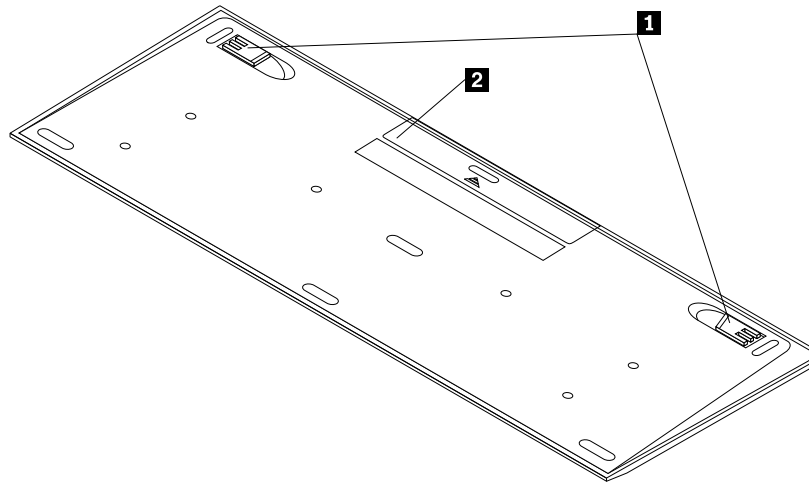


Figure 2. Keyboard rear view

**1** Tilt feet: Used to adjust the angle of the keyboard.

**2** Battery compartment cover



## Mouse front view and rear view

The following illustration shows the front view and rear view of the mouse.

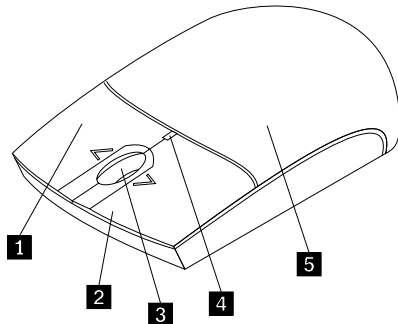


Figure 3. Mouse front view

- 1** Right button
- 2** Left button
- 3** Scroll wheel
- 4** LED indicator

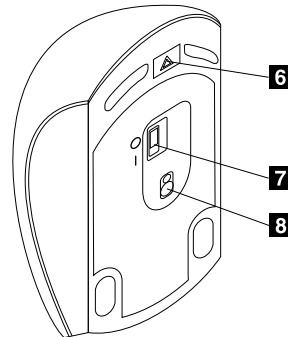


Figure 4. Mouse rear view

- 5** Battery compartment cover
- 6** Battery compartment release button
- 7** Power switch
- 8** Optical laser output

---

## Supported operating systems

The keyboard and mouse are supported on the following operating systems:

- Microsoft® Windows® XP (32-bit)
- Microsoft Windows Vista® (32-bit or 64-bit)
- Microsoft Windows 7 (32-bit or 64-bit)
- Microsoft Windows 8 (32-bit or 64-bit)
- Microsoft Windows 8.1 (32-bit or 64-bit)
- Microsoft Windows 10



---

## Chapter 2. Installing and uninstalling the device driver

This chapter provides instructions on how to install and uninstall the device driver of the keyboard and mouse.

---

### Installing the device driver on Windows operating systems

To install the device driver on the Windows XP, Windows Vista, Windows 7, Windows 8, Windows 8.1, or Windows 10 operating system, do the following:

1. Save any open documents and exit all applications.
2. Insert the *Software and User Guide Disc* into the optical drive. The disc starts automatically. If the disc does not start automatically, do one of the following:
  - If the autoplay window opens, click **Run ViewHtml.exe**.
  - If the autoplay window does not open, do one of the following:
    - For the Windows XP, Windows Vista, or Windows 7 operating system, go into **My Computer** or **Computer**, then double-click the CD/DVD drive icon.
    - For the Windows 8 or Windows 8.1 operating system, open File Explorer and click **Computer** or **This PC**, then double-click the CD/DVD drive icon.
    - For the Windows 10 operating system, move the cursor to the bottom-left of the screen, search **This PC** in the search box, and then double-click the CD/DVD drive icon.
3. Select your language.
4. Click **Software** in the left pane of the window.
5. Follow the instructions on the screen to install the device driver.

---

### Uninstalling the device driver from Windows operating systems

To uninstall the device driver from the Windows XP, Windows Vista, Windows 7, Windows 8, Windows 8.1, or Windows 10 operating system, do the following:

#### For the Windows XP operating system:

1. Click **Start → Control Panel** or **Start → Settings → Control Panel**.
2. Depending on your Control Panel mode, click or double-click **Add or Remove Programs**.
3. Select **Lenovo Ultralim Plus Wireless Keyboard & Mouse Driver**, and then click **Remove**.
4. Follow the instructions on the screen.


#### For the Windows Vista or Windows 7 operating system:

1. Click **Start → Control Panel** or **Start → Settings → Control Panel**.
2. Depending on your Control Panel mode, do one of the following:
  - Click the **Uninstall a program** option under the **Programs** menu.
  - Click **Programs and Features**.
3. Select **Lenovo Ultralim Plus Wireless Keyboard & Mouse Driver** and then right-click your mouse. The **Uninstall/Change** option is displayed.
4. Click **Uninstall/Change**.
5. Follow the instructions on the screen.

### For the Windows 8 operating system:

1. Go to Control Panel by doing one of the following:
  - From the desktop, move the pointer to the top-right or bottom-right corner of the screen to display the charms, and then click **Settings → Control Panel**.
  - From the Start screen, do the following:
    - a. Move the pointer to the top-right or bottom-right corner of the screen to display the charms.
    - b. Click **Search**.
    - c. On the Apps screen, scroll to the right side, and click **Control Panel** in the **Windows System** section.
2. Depending on your Control Panel mode, do one of the following:
  - Click the **Uninstall a program** option under the **Programs** menu.
  - Click **Programs and Features**.
3. Select **Lenovo Ultralim Plus Wireless Keyboard & Mouse Driver** and then right-click your mouse. The **Uninstall/Change** option is displayed.
4. Click **Uninstall/Change**.
5. Follow the instructions on the screen.

### For the Windows 8.1 operating system:

1. Go to Control Panel by doing one of the following:
  - From the desktop, move the pointer to the top-right or bottom-right corner of the screen to display the charms, and then click **Settings → Control Panel**.
  - From the Start screen, do the following:
    - a. Click the arrow icon  in the bottom-left corner of the screen to go to the Apps screen.
    - b. Scroll to the right side, and click **Control Panel** in the **Windows System** section.
2. Depending on your Control Panel mode, do one of the following:
  - Click the **Uninstall a program** option under the **Programs** menu.
  - Click **Programs and Features**.
3. Select **Lenovo Ultralim Plus Wireless Keyboard & Mouse Driver** and then right-click your mouse. The **Uninstall/Change** option is displayed.
4. Click **Uninstall**.
5. Follow the instructions on the screen to uninstall the device driver.

### For the Windows 10 operating system:

1. From the desktop, move the pointer to bottom-left corner of the screen, and then search **Control Panel** in the search box.
2. Depending on your Control Panel mode, do one of the following:
  - Click the **Uninstall a program** option under the **Programs** menu.
  - Click **Programs and Features**.
3. Select the **Lenovo Ultralim Plus Wireless Keyboard & Mouse Driver** and then right-click your mouse. The **Uninstall** option is displayed.
4. Click **Uninstall**.
5. Follow the instructions on the screen to uninstall the device driver.

---

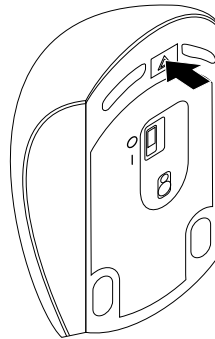
## Chapter 3. Installing the keyboard and mouse

This topic provides information on how to install the keyboard and mouse.

**Note:** Before you install the keyboard and mouse, make sure that you have installed the driver correctly.

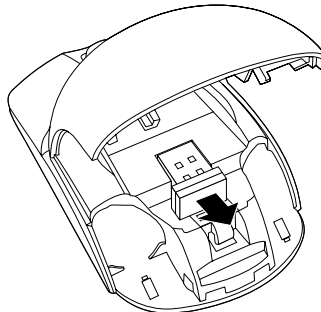
To install the keyboard and mouse, do the following:

1. Install the mouse by doing the following:
  - a. Press the battery compartment release button.



*Figure 5. Opening the battery compartment*

- b. Take out the dongle.



*Figure 6. Taking out the dongle*

- c. Connect the dongle to an available USB connector on the computer.

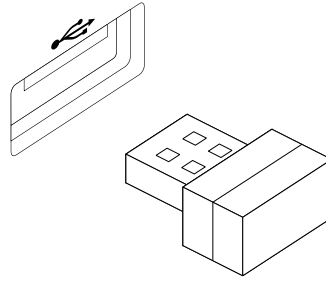


Figure 7. Connecting the dongle to a USB connector

- d. Insert two AA batteries into the mouse compartment according to the polarity indicators.

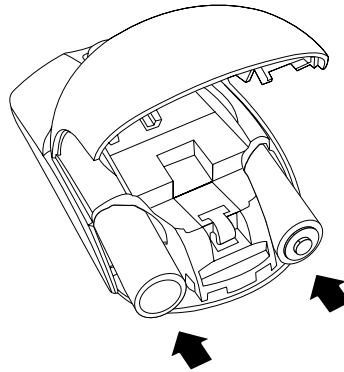


Figure 8. Installing the mouse batteries

**CAUTION:**  
**RISK OF EXPLOSION IF A BATTERY IS REPLACED BY AN INCORRECT TYPE. DISPOSE OF USED BATTERIES ACCORDING TO THE INSTRUCTIONS.**

- e. Close the battery compartment cover and slide it forward until it clicks into place.

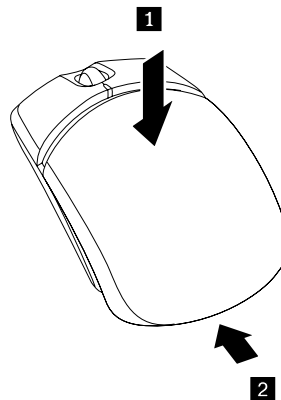


Figure 9. Closing the battery compartment cover

- f. Push the power switch to the on position and the LED (light-emitting diode) is on.

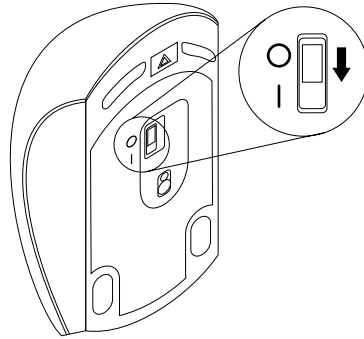


Figure 10. Pushing the power switch on

**Notes:**

- The green LED indicates that the mouse is ready for use.
  - The flashing red LED indicates a low battery power level.
  - Push the power switch to the off position when you are not using the mouse. This extends the battery life.
2. Install the keyboard by opening the battery compartment cover and installing two AAA batteries according to the polarity indicators. The keyboard is ready for use.

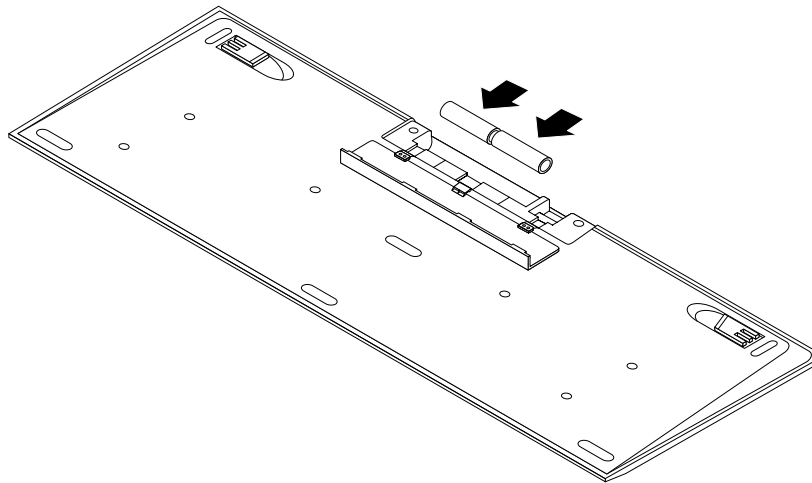


Figure 11. Installing the keyboard batteries

**CAUTION:**

**RISK OF EXPLOSION IF A BATTERY IS REPLACED BY AN INCORRECT TYPE. DISPOSE OF USED BATTERIES ACCORDING TO THE INSTRUCTIONS.**



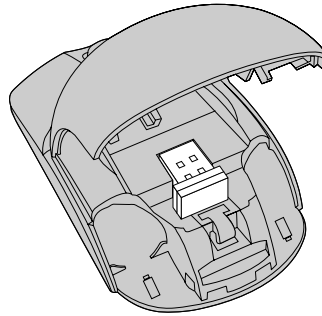


---

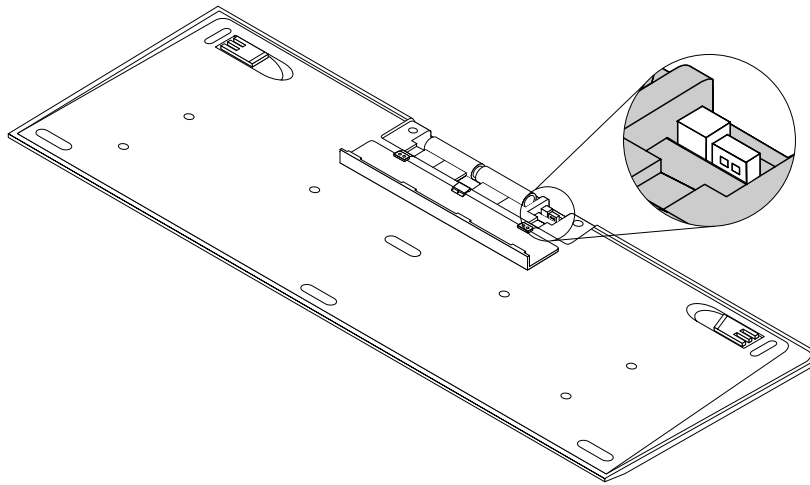
## Chapter 4. Storing the dongle

This topic provides information on how to store the dongle.

When you do not use the keyboard and mouse, store the dongle in the battery compartment of the mouse or the keyboard as shown:



*Figure 12. Storing the dongle in the mouse battery compartment*



*Figure 13. Storing the dongle in the keyboard battery compartment*



---

## Appendix A. Service and Support

The following information describes the technical support that is available for your product, during the warranty period or throughout the life of your product. Refer to the Lenovo Limited Warranty for a full explanation of Lenovo warranty terms.

---

### Online technical support

Online technical support is available during the lifetime of a product at:  
<http://www.lenovo.com/support>

Product replacement assistance or exchange of defective components also is available during the warranty period. In addition, if your option is installed in a Lenovo computer, you might be entitled to service at your location. A Lenovo technical support representative can help you determine the best alternative.

---

### Telephone technical support

Installation and configuration support through the Customer Support Center will be available until 90 days after the option has been withdrawn from marketing. After that time, the support is cancelled, or made available for a fee, at Lenovo's discretion. Additional support is also available for a nominal fee.

Before contacting a Lenovo technical support representative, please have the following information available: option name and number, proof of purchase, computer manufacturer, model, serial number and manual, the exact wording of any error message, description of the problem, and the hardware and software configuration information for your system.

Your technical support representative might want to walk you through the problem while you are at your computer during the call.

Telephone numbers are subject to change without notice. The most up-to-date telephone list for Lenovo Support is always available at <http://www.lenovo.com/support/phone>. If the telephone number for your country or region is not listed, contact your Lenovo reseller or Lenovo marketing representative.

---

### Accessibility information

#### Documentation in accessible formats

Lenovo provides electronic documentation in accessible formats, such as properly tagged PDF files or HyperText Markup Language (HTML) files. Lenovo electronic documentation is developed to ensure that visually impaired users can read the documentation through a screen reader. Each image in the documentation also includes adequate alternative text to explain the image so that visually impaired users can understand the image when they use a screen reader.

To open and view PDF files, your computer must have the Adobe Reader program installed. The Adobe Reader program also is available for download at:  
<http://www.adobe.com>



---

## Appendix B. Lenovo Limited Warranty

L505-0010-02 08/2011

This Lenovo Limited Warranty consists of the following parts:

**Part 1 - General Terms**

**Part 2 - Country-specific Terms**

**Part 3 - Warranty Service Information**

The terms of **Part 2** replace or modify terms of **Part 1** as specified for a particular country.

---

### Part 1 - General Terms

This Lenovo Limited Warranty applies only to Lenovo hardware products you purchased for your own use and not for resale. This Lenovo Limited Warranty is available in other languages at [www.lenovo.com/warranty](http://www.lenovo.com/warranty).

#### What this Warranty Covers

Lenovo warrants that each Lenovo hardware product that you purchase is free from defects in materials and workmanship under normal use during the warranty period. The warranty period for the product starts on the original date of purchase as shown on your sales receipt or invoice or as may be otherwise specified by Lenovo. The warranty period and type of warranty service that apply to your product are as specified in "**Part 3 - Warranty Service Information**" below. This warranty only applies to products in the country or region of purchase.

**THIS WARRANTY IS YOUR EXCLUSIVE WARRANTY AND REPLACES ALL OTHER WARRANTIES OR CONDITIONS, EXPRESS OR IMPLIED, INCLUDING, BUT NOT LIMITED TO, ANY IMPLIED WARRANTIES OR CONDITIONS OF MERCHANTABILITY OR FITNESS FOR A PARTICULAR PURPOSE. AS SOME STATES OR JURISDICTIONS DO NOT ALLOW THE EXCLUSION OF EXPRESS OR IMPLIED WARRANTIES, THE ABOVE EXCLUSION MAY NOT APPLY TO YOU. IN THAT EVENT, SUCH WARRANTIES APPLY ONLY TO THE EXTENT AND FOR SUCH DURATION AS REQUIRED BY LAW AND ARE LIMITED IN DURATION TO THE WARRANTY PERIOD. AS SOME STATES OR JURISDICTIONS DO NOT ALLOW LIMITATIONS ON THE DURATION OF AN IMPLIED WARRANTY, THE ABOVE LIMITATION ON DURATION MAY NOT APPLY TO YOU.**

#### How to Obtain Warranty Service

If the product does not function as warranted during the warranty period, you may obtain warranty service by contacting Lenovo or a Lenovo approved Service Provider. A list of approved Service Providers and their telephone numbers is available at: [www.lenovo.com/support/phone](http://www.lenovo.com/support/phone).

Warranty service may not be available in all locations and may differ from location to location. Charges may apply outside a Service Provider's normal service area. Contact a local Service Provider for information specific to your location.

#### Customer Responsibilities for Warranty Service

Before warranty service is provided, you must take the following steps:

- follow the service request procedures specified by the Service Provider;

- backup or secure all programs and data contained in the product;
- provide the Service Provider with all system keys or passwords;
- provide the Service Provider with sufficient, free, and safe access to your facilities to perform service;
- remove all data, including confidential information, proprietary information and personal information, from the product or, if you are unable to remove any such information, modify the information to prevent its access by another party or so that it is not personal data under applicable law. The Service Provider shall not be responsible for the loss or disclosure of any data, including confidential information, proprietary information, or personal information, on a product returned or accessed for warranty service;
- remove all features, parts, options, alterations, and attachments not covered by the warranty;
- ensure that the product or part is free of any legal restrictions that prevent its replacement;
- if you are not the owner of a product or part, obtain authorization from the owner for the Service Provider to provide warranty service.

### **What Your Service Provider Will Do to Correct Problems**

When you contact a Service Provider, you must follow the specified problem determination and resolution procedures.

The Service Provider will attempt to diagnose and resolve your problem by telephone, e-mail or remote assistance. The Service Provider may direct you to download and install designated software updates.

Some problems may be resolved with a replacement part that you install yourself called a “Customer Replaceable Unit” or “CRU.” If so, the Service Provider will ship the CRU to you for you to install.

If your problem cannot be resolved over the telephone; through the application of software updates or the installation of a CRU, the Service Provider will arrange for service under the type of warranty service designated for the product under “**Part 3 - Warranty Service Information**” below.

If the Service Provider determines that it is unable to repair your product, the Service Provider will replace it with one that is at least functionally equivalent.

If the Service Provider determines that it is unable to either repair or replace your product, your sole remedy under this Limited Warranty is to return the product to your place of purchase or to Lenovo for a refund of your purchase price.

### **Replacement Products and Parts**

When warranty service involves the replacement of a product or part, the replaced product or part becomes Lenovo’s property and the replacement product or part becomes your property. Only unaltered Lenovo products and parts are eligible for replacement. The replacement product or part provided by Lenovo may not be new, but it will be in good working order and at least functionally equivalent to the original product or part. The replacement product or part shall be warranted for the balance of the period remaining on the original product.

### **Use of Personal Contact Information**

If you obtain service under this warranty, you authorize Lenovo to store, use and process information about your warranty service and your contact information, including name, phone numbers, address, and e-mail address. Lenovo may use this information to perform service under this warranty. We may contact you to inquire about your satisfaction with our warranty service or to notify you about any product recalls or safety issues. In accomplishing these purposes, you authorize Lenovo to transfer your information to any country where we do business and to provide it to entities acting on our behalf. We may also disclose it where required by law. Lenovo’s privacy policy is available at [www.lenovo.com/](http://www.lenovo.com/).

## **What this Warranty Does not Cover**

This warranty does not cover the following:

- uninterrupted or error-free operation of a product;
- loss of, or damage to, your data by a product;
- any software programs, whether provided with the product or installed subsequently;
- failure or damage resulting from misuse, abuse, accident, modification, unsuitable physical or operating environment, natural disasters, power surges, improper maintenance, or use not in accordance with product information materials;
- damage caused by a non-authorized service provider;
- failure of, or damage caused by, any third party products, including those that Lenovo may provide or integrate into the Lenovo product at your request;
- any technical or other support, such as assistance with “how-to” questions and those regarding product set-up and installation;
- products or parts with an altered identification label or from which the identification label has been removed.

## **Limitation of Liability**

Lenovo is responsible for loss or damage to your product only while it is in the Service Provider’s possession or in transit, if the Service Provider is responsible for the transportation.

Neither Lenovo nor the Service Provider is responsible for loss or disclosure of any data, including confidential information, proprietary information, or personal information, contained in a product.

**UNDER NO CIRCUMSTANCES, AND NOTWITHSTANDING THE FAILURE OF ESSENTIAL PURPOSE OF ANY REMEDY SET FORTH HEREIN, SHALL LENOVO, ITS AFFILIATES, SUPPLIERS, RESELLERS, OR SERVICE PROVIDERS BE LIABLE FOR ANY OF THE FOLLOWING EVEN IF INFORMED OF THEIR POSSIBILITY AND REGARDLESS OF WHETHER THE CLAIM IS BASED IN CONTRACT, WARRANTY, NEGLIGENCE, STRICT LIABILITY OR OTHER THEORY OF LIABILITY: 1) THIRD PARTY CLAIMS AGAINST YOU FOR DAMAGES; 2) LOSS, DAMAGE OR DISCLOSURE OF YOUR DATA; 3) SPECIAL, INCIDENTAL, PUNITIVE, INDIRECT OR CONSEQUENTIAL DAMAGES, INCLUDING BUT NOT LIMITED TO LOST PROFITS, BUSINESS REVENUE, GOODWILL OR ANTICIPATED SAVINGS. IN NO CASE SHALL THE TOTAL LIABILITY OF LENOVO, ITS AFFILIATES, SUPPLIERS, RESELLERS OR SERVICE PROVIDERS FOR DAMAGES FROM ANY CAUSE EXCEED THE AMOUNT OF ACTUAL DIRECT DAMAGES, NOT TO EXCEED THE AMOUNT PAID FOR THE PRODUCT.**

**THE FOREGOING LIMITATIONS DO NOT APPLY TO DAMAGES FOR BODILY INJURY (INCLUDING DEATH), DAMAGE TO REAL PROPERTY OR DAMAGE TO TANGIBLE PERSONAL PROPERTY FOR WHICH LENOVO IS LIABLE UNDER LAW. AS SOME STATES OR JURISDICTIONS DO NOT ALLOW THE EXCLUSION OR LIMITATION OF INCIDENTAL OR CONSEQUENTIAL DAMAGES, THE ABOVE LIMITATION OR EXCLUSION MAY NOT APPLY TO YOU.**

## **Your Other Rights**

**THIS WARRANTY GIVES YOU SPECIFIC LEGAL RIGHTS. YOU MAY HAVE OTHER RIGHTS ACCORDING TO THE APPLICABLE LAWS OF YOUR STATE OR JURISDICTION. YOU MAY ALSO HAVE OTHER RIGHTS UNDER A WRITTEN AGREEMENT WITH LENOVO. NOTHING IN THIS WARRANTY AFFECTS STATUTORY RIGHTS, INCLUDING RIGHTS OF CONSUMERS UNDER LAWS OR REGULATIONS GOVERNING THE SALE OF CONSUMER GOODS THAT CANNOT BE WAIVED OR LIMITED BY CONTRACT.**

---

## **Part 2 - Country-specific Terms**

### **Australia**

“Lenovo” means Lenovo (Australia & New Zealand) Pty Limited ABN 70 112 394 411. Address: Level 10, North Tower, 1-5 Railway Street, Chatswood, NSW, 2067. Telephone: +61 2 8003 8200. Email: lenosyd\_au@lenovo.com

*The following replaces the same section in Part 1:*

### **What this Warranty Covers:**

Lenovo warrants that each hardware product that you purchase is free from defects in materials and workmanship under normal use and conditions during the warranty period. If the product fails due to a covered defect during the warranty period, Lenovo will provide you a remedy under this Limited Warranty. The warranty period for the product starts on the original date of purchase specified on your sales receipt or invoice unless Lenovo informs you otherwise in writing. The warranty period and type of warranty service that apply to your product are set forth below in **Part 3 - Warranty Service Information**.

**THE BENEFITS GIVEN BY THIS WARRANTY ARE IN ADDITION TO YOUR RIGHTS AND REMEDIES AT LAW, INCLUDING THOSE UNDER THE AUSTRALIAN CONSUMER LAW.**

*The following replaces the same section in Part 1:*

### **Replacement Products and Parts:**

When warranty service involves the replacement of a product or part, the replaced product or part becomes Lenovo’s property and the replacement product or part becomes your property. Only unaltered Lenovo products and parts are eligible for replacement. The replacement product or part provided by Lenovo may not be new, but it will be in good working order and at least functionally equivalent to the original product or part. The replacement product or part shall be warranted for the balance of the period remaining on the original product. Products and parts presented for repair may be replaced by refurbished products or parts of the same type rather than being repaired. Refurbished parts may be used to repair the product; and repair of the product may result in loss of data, if the product is capable of retaining user-generated data.

*The following is added to the same section in Part 1:*

### **Use of Personal Contact Information:**

Lenovo will not be able to perform our service under this warranty if you refuse to provide your information or do not wish us to transfer your information to our agent or contractor. You have the right to access your personal contact information and request correction of any errors in it pursuant to the Privacy Act 1988 by contacting Lenovo.

*The following replaces the same section in Part 1:*

### **Limitation of Liability:**

Lenovo is responsible for loss or damage to your product only while it is in the Service Provider’s possession or in transit, if the Service Provider is responsible for the transportation.

Neither Lenovo nor the Service Provider is responsible for loss or disclosure of any data, including confidential information, proprietary information, or personal information, contained in a product.

**TO THE EXTENT PERMITTED BY LAW, UNDER NO CIRCUMSTANCES AND NOTWITHSTANDING THE FAILURE OF ESSENTIAL PURPOSE OF ANY REMEDY SET FORTH HEREIN, SHALL LENOVO, ITS AFFILIATES, SUPPLIERS, RESELLERS, OR SERVICE PROVIDERS BE LIABLE FOR ANY OF THE FOLLOWING EVEN IF INFORMED OF THEIR POSSIBILITY AND REGARDLESS OF WHETHER THE CLAIM IS BASED IN CONTRACT, WARRANTY, NEGLIGENCE, STRICT LIABILITY OR OTHER THEORY**



**OF LIABILITY: 1) THIRD PARTY CLAIMS AGAINST YOU FOR DAMAGES; 2) LOSS, DAMAGE OR DISCLOSURE OF YOUR DATA; 3) SPECIAL, INCIDENTAL, PUNITIVE, INDIRECT OR CONSEQUENTIAL DAMAGES, INCLUDING BUT NOT LIMITED TO LOST PROFITS, BUSINESS REVENUE, GOODWILL OR ANTICIPATED SAVINGS. IN NO CASE SHALL THE TOTAL LIABILITY OF LENOVO, ITS AFFILIATES, SUPPLIERS, RESELLERS OR SERVICE PROVIDERS FOR DAMAGES FROM ANY CAUSE EXCEED THE AMOUNT OF ACTUAL DIRECT DAMAGES, NOT TO EXCEED THE AMOUNT PAID FOR THE PRODUCT.**

**THE FOREGOING LIMITATIONS DO NOT APPLY TO DAMAGES FOR BODILY INJURY (INCLUDING DEATH), DAMAGE TO REAL PROPERTY OR DAMAGE TO TANGIBLE PERSONAL PROPERTY FOR WHICH LENOVO IS LIABLE UNDER LAW.**

*The following replaces the same section in Part 1:*

**Your Other Rights:**

**THIS WARRANTY GIVES YOU SPECIFIC LEGAL RIGHTS. YOU ALSO HAVE OTHER RIGHTS AT LAW, INCLUDING UNDER THE AUSTRALIAN CONSUMER LAW. NOTHING IN THIS WARRANTY AFFECTS STATUTORY RIGHTS OR RIGHTS AT LAW, INCLUDING RIGHTS THAT CANNOT BE WAIVED OR LIMITED BY CONTRACT.**

For example, our products come with guarantees that cannot be excluded under the Australian Consumer Law. You are entitled to a replacement or refund for a major failure and compensation for any other reasonably foreseeable loss or damage. You are also entitled to have the products repaired or replaced if the products fail to be of acceptable quality and the failure does not amount to a major failure.

**New Zealand**

*The following is added to the same section in Part 1:*

**Use of Personal Information:**

Lenovo will not be able to perform our service under this warranty if you refuse to provide your information or do not wish us to transfer your information to our agent or contractor. You have the right to access your personal information and request correction of any errors in it pursuant to the Privacy Act 1993 by contacting Lenovo (Australia & New Zealand) Pty Limited ABN 70 112 394 411. Address: Level 10, North Tower, 1-5 Railway Street, Chatswood, NSW, 2067. Telephone: 61 2 8003 8200. Email: lensyd\_au@lenovo.com

**Bangladesh, Cambodia, India, Indonesia, Nepal, Philippines, Vietnam and Sri Lanka**

*The following is added to Part 1:*

**Dispute Resolution**

Disputes arising out of or in connection with this warranty shall be finally settled by arbitration held in Singapore. This warranty shall be governed, construed and enforced in accordance with the laws of Singapore, without regard to conflict of laws. If you acquired the product in **India**, disputes arising out of or in connection with this warranty shall be finally settled by arbitration held in Bangalore, India. Arbitration in Singapore shall be held in accordance with the Arbitration Rules of Singapore International Arbitration Center ("SIAC Rules") then in effect. Arbitration in India shall be held in accordance with the laws of India then in effect. The arbitration award shall be final and binding on the parties without appeal. Any award shall be in writing and set forth the findings of fact and the conclusions of law. All arbitration proceedings, including all documents presented in such proceedings shall be conducted in the English language. The English language version of this warranty prevails over any other language version in such proceedings.

## **European Economic Area (EEA)**

*The following is added to Part 1:*

Customers in the EEA may contact Lenovo at the following address: EMEA Service Organisation, Lenovo (International) B.V., Floor 2, Einsteinova 21, 851 01, Bratislava, Slovakia. Service under this warranty for Lenovo hardware products purchased in EEA countries may be obtained in any EEA country in which the product has been announced and made available by Lenovo.

## **Russia**

*The following is added to Part 1:*

## **Product Service Life**

The product service life is four (4) years from the original date of purchase.

---

## **Part 3 - Warranty Service Information**

<b>Product Type</b>	<b>Country or Region of Purchase</b>	<b>Warranty Period</b>	<b>Type of Warranty Service</b>
Lenovo Ultrastim Plus Wireless Keyboard & Mouse	Worldwide	3 years	1, 4

If required, your Service Provider will provide repair or exchange service depending on the type of warranty service specified for your product and the available service. Scheduling of service will depend upon the time of your call, parts availability, and other factors.

## **Types of Warranty Service**

### **1. Customer Replaceable Unit (“CRU”) Service**

Under CRU Service, the Service Provider will ship CRUs to you at its cost for installation by you. CRU information and replacement instructions are shipped with your product and are available from Lenovo at any time upon request. CRUs that are easily installed by you are called “Self-service CRUs”. “Optional-service CRUs” are CRUs that may require some technical skill and tools. Installation of Self-service CRUs is your responsibility. You may request that a Service Provider install Optional-service CRUs under one of the other types of warranty service designated for your product. An optional service offering may be available for purchase from a Service Provider or Lenovo under which Self-service CRUs would be installed for you. You may find a list of CRUs and their designation in the publication that was shipped with your product or at [www.lenovo.com/CRUs](http://www.lenovo.com/CRUs). The requirement to return a defective CRU, if any, will be specified in the instructions shipped with a replacement CRU. When return is required: 1) return instructions, a prepaid return shipping label, and a container will be included with the replacement CRU; and 2) you may be charged for the replacement CRU if the Service Provider does not receive the defective CRU from you within thirty (30) days of your receipt of the replacement CRU.

### **2. On-site Service**

Under On-Site Service, a Service Provider will either repair or exchange the product at your location. You must provide a suitable working area to allow disassembly and reassembly of the product. Some repairs may need to be completed at a service center. If so, the Service Provider will send the product to the service center at its expense.

### **3. Courier or Depot Service**

Under Courier or Depot Service, your product will be repaired or exchanged at a designated service center, with shipping at the expense of the Service Provider. You are responsible for disconnecting the product and packing it in a shipping container provided to you to return your product to a designated service center. A courier will pick up your product and deliver it to the designated service center. The service center will return the product to you at its expense.

### **4. Customer Carry-In Service**

Under Customer Carry-In Service, your product will be repaired or exchanged after you deliver it to a designated service center at your risk and expense. After the product has been repaired or exchanged, it will be made available to you for collection. If you fail to collect the product, the Service Provider may dispose of the product as it sees fit, with no liability to you.

### **5. Mail-In Service**

Under Mail-In Service, your product will be repaired or exchanged at a designated service center after you deliver it at your risk and expense. After the product has been repaired or exchanged, it will be returned to you at Lenovo's risk and expense, unless the Service Provider specifies otherwise.

### **6. Customer Two-Way Mail-In Service**

Under Customer Two-Way Mail-In Service, your product will be repaired or exchanged after you deliver it to a designated service center at your risk and expense. After the product has been repaired or exchanged, it will be made available to you for return shipping at your risk and expense. If you fail to arrange return shipment, the Service Provider may dispose of the product as it sees fit, with no liability to you.

### **7. Product Exchange Service**

Under Product Exchange Service, Lenovo will ship a replacement product to your location. You are responsible for its installation and verification of its operation. The replacement product becomes your property in exchange for the failed product, which becomes the property of Lenovo. You must pack the failed product in the shipping carton in which you received the replacement product and return it to Lenovo. Transportation charges, both ways, shall be at Lenovo's expense. If you fail to use the carton in which the replacement product was received, you may be responsible for any damage to the failed product occurring during shipment. You may be charged for the replacement product if Lenovo does not receive the failed product within thirty (30) days of your receipt of the replacement product.

---

## **Suplemento de Garantía para México**

Este Suplemento de Garantía se considera parte integrante de la Garantía Limitada de Lenovo y será efectivo única y exclusivamente para los productos distribuidos y comercializados dentro del Territorio de los Estados Unidos Mexicanos. En caso de conflicto, se aplicarán los términos de este Suplemento.

El comercializador responsable del producto es Lenovo México S de R L de CV y para efectos de esta garantía en la República Mexicana su domicilio es Paseo de Tamarindos No.400-A Piso 27 Arcos Torre Poniente, Bosques de Las Lomas, Delegación Miguel Hidalgo, C.P. 05120 México, D.F. En el caso de que se precise una reparación cubierta por la garantía o precise de partes, componentes, consumibles o accesorios diríjase a este domicilio.

Si no existiese ningún Centro de servicio autorizado en su ciudad, población o en un radio de 70 kilómetros de su ciudad o población, la garantía incluirá cualquier gasto de entrega razonable relacionado con el transporte del producto a su Centro de servicio autorizado más cercano. Por favor, llame al Centro de

servicio autorizado más cercano para obtener las aprobaciones necesarias o la información relacionada con el envío del producto y la dirección de envío.

Esta garantía ampara todas las piezas de hardware del producto e incluye mano de obra.

El procedimiento para hacer efectiva la garantía consiste en la presentación del producto, acompañado de la póliza correspondiente, debidamente sellada por el establecimiento que lo vendió, o la factura, o recibo o comprobante, en el que consten los datos específicos del producto objeto de la compraventa.

Lenovo sólo pueden eximirse de hacer efectiva la garantía en los siguientes casos: a) Cuando el producto se hubiese utilizado en condiciones distintas a las normales. b) Cuando el producto no hubiese sido operado de acuerdo con el instructivo de uso que se le acompaña. c) Cuando el producto hubiese sido alterado o reparado por personas no autorizadas por el fabricante nacional, importador o comercializador responsable respectivo.

Todos los programas de software precargados en el equipo sólo tendrán una garantía de noventa (90) días por defectos de instalación desde la fecha de compra. Lenovo no es responsable de la información incluida en dichos programas de software y /o cualquier programa de software adicional instalado por Usted o instalado después de la compra del producto.

La garantía cubre la atención, revisión y corrección de errores, defectos o inconsistencias que impidan el desempeño normal de un equipo de cómputo en cuanto a su hardware y software. Los servicios no cubiertos por la garantía se cargarán al usuario final, previa obtención de una autorización.

Esta garantía tiene una duración de un año a partir del momento de la compra e incluye la mano de obra, por lo que en caso de aplicarse la garantía, esta no causara ningún gasto o costo para el cliente.

Centros de Servicios autorizados para hacer efectiva la garantía:

- Lenovo México con domicilio en Paseo de Tamarindos No.400-A Piso 27 Arcos, Torre Poniente, Bosques de Las Lomas, Delegación Miguel Hidalgo, C.P. 05120 México, D.F. Teléfono 01800- 083-4916, [http://support.lenovo.com/es\\_MX/product-service/service-provider/default.page](http://support.lenovo.com/es_MX/product-service/service-provider/default.page)
- Lenovo Monterrey con domicilio en Boulevard Escobedo No.316, Apodaca Technology Park, Apodaca, C.P. 66601, Nuevo León, México. Teléfono 01800- 083-4916, [http://support.lenovo.com/es\\_MX/product-service/service-provider/default.page](http://support.lenovo.com/es_MX/product-service/service-provider/default.page)

**Importado por:**

**Lenovo México S. de R.L. de C.V.**

**Av. Santa Fe 505, Piso 15**

**Col. Cruz Manca**

**Cuajimalpa, D.F., México**

**C.P. 05349**

**Tel. (55) 5000 8500**

---

## Appendix C. Compliance information

The latest compliance information is available at:  
<http://www.lenovo.com/compliance>

---

### Electronic emission notices

The following information refers to the Lenovo Ultralim Plus Wireless Keyboard & Mouse.

**Lenovo Ultralim Plus Wireless Keyboard** – KBRF3971 (FCC ID: EMJKKBRF3971)

**Lenovo Ultralim Plus Wireless Mouse** – MORFFHL (FCC ID: EMJMMORFFHL)

**Dongle for Lenovo Ultralim Plus Wireless Mouse** – MORFFHL-D (FCC ID: EMJDMORFFHL-D)

### Federal Communications Commission Declaration of Conformity

**Lenovo Ultralim Plus Wireless Keyboard & Mouse** - 0A34032

This equipment has been tested and found to comply with the limits for a Class B digital device, pursuant to Part 15 of the FCC Rules. These limits are designed to provide reasonable protection against harmful interference in a residential installation. This equipment generates, uses, and can radiate radio frequency energy and, if not installed and used in accordance with the instructions, may cause harmful interference to radio communications. However, there is no guarantee that interference will not occur in a particular installation. If this equipment does cause harmful interference to radio or television reception, which can be determined by turning the equipment off and on, the user is encouraged to try to correct the interference by one or more of the following measures:

- Reorient or relocate the receiving antenna.
- Increase the separation between the equipment and receiver.
- Connect the equipment into an outlet on a circuit different from that to which the receiver is connected.
- Consult an authorized dealer or service representative for help.

Lenovo is not responsible for any radio or television interference caused by using other than specified or recommended cables and connectors or by unauthorized changes or modifications to this equipment. Unauthorized changes or modifications could void the user's authority to operate the equipment.

This device complies with Part 15 of the FCC Rules. Operation is subject to the following two conditions: (1) this device may not cause harmful interference, and (2) this device must accept any interference received, including interference that may cause undesired operation.

Responsible party:

Lenovo (United States) Incorporated  
1009 Think Place - Building One  
Morrisville, NC 27560  
Phone Number: 919-294-5900



**RF Exposure Statement**

The radiated energy from the Lenovo Ultralim Wireless Keyboard & Mouse conforms to the FCC limit of the SAR (Specific Absorption Rate) requirement set forth in 47 CFR Part 2 section 1093.

### **Canada – Industry Canada (IC)**

**Lenovo Ultralim Plus Wireless Keyboard** – KBRF3971 (IC ID: 4251A-KBRF3971)

**Lenovo Ultralim Plus Wireless Mouse** – MORFFHL (IC ID: 4251A-MMORFFHL)

**Dongle for Lenovo Ultralim Plus Wireless Mouse** – MORFFHL-D (IC ID: 4251A-DMORFFHLD)

### **Low Power License-Exempt Radio Communication Devices (RSS-210)**

Operation is subject to the following two conditions: (1) this device may not cause interference, and (2) this device must accept any interference, including interference that may cause undesired operation of the device.

### **Permis d'émission à faible puissance – Cas des appareils de communications radio**

L'utilisation de ce dispositif est autorisée seulement aux conditions suivantes: (1) il ne doit pas produire de brouillage, et (2) l'utilisateur du dispositif doit être prêt à accepter tout brouillage radioélectrique reçu, même si ce brouillage est susceptible de compromettre le fonctionnement du dispositif.

### **Exposure of humans to RF fields (RSS-102)**

The Lenovo Ultralim Plus Wireless Keyboard, Mouse, and Dongle employ low gain integral antennas that do not emit RF field in excess of Health Canada limits for the general population; consult Safety Code 6, obtainable from Health Canada's Web site at <http://www.hc-sc.gc.ca/>

The radiated energy from the Lenovo Ultralim Plus Wireless Keyboard, Mouse, and Dongle antennas conforms to the IC limit of the RF exposure requirement regarding IC RSS-102, Issue 2 clause 4.2.

### **Exposition des êtres humains aux champs radioélectriques (RF) (CNR-102)**

Le clavier sans fil, la souris et le dongle Lenovo ultra mince plus utilisent des antennes intégrales à faible gain qui n'émettent pas un champ électromagnétique supérieur aux normes imposées par le Ministère de la santé canadien pour la population; consultez le Safety Code 6 sur le site Web du Ministère de la santé canadien à l'adresse <http://www.hc-sc.gc.ca/>

L'énergie émise par les antennes du clavier sans fil, la souris et le dongle Lenovo ultra mince plus respecte la limite d'exposition aux radiofréquences telle que définie par Industrie Canada dans la clause 4.2 du document CNR-102.

### **Industry Canada Compliance Statement**

CAN ICES-3(B)/NMB-3(B)

### **European Union - Compliance to the Electromagnetic Compatibility Directive**

This product is in conformity with the protection requirements of EU Council Directive 2004/108/EC on the approximation of the laws of the Member States relating to electromagnetic compatibility. Lenovo cannot accept responsibility for any failure to satisfy the protection requirements resulting from a non-recommended modification of the product, including the installation of option cards from other manufacturers.

This product has been tested and found to comply with the limits for Class B Information Technology Equipment according to European Standard EN 55022. The limits for Class B equipment were derived

for typical residential environments to provide reasonable protection against interference with licensed communication devices.

## Europe - EU Declaration of Conformity for Lenovo Ultralim Plus Wireless Keyboard & Mouse

Lenovo, Einsteinova 21, 851 01 Bratislava, Slovakia



### German Class B compliance statement

#### Deutschsprachiger EU Hinweis:

##### Hinweis für Geräte der Klasse B EU-Richtlinie zur Elektromagnetischen Verträglichkeit

Dieses Produkt entspricht den Schutzanforderungen der EU-Richtlinie 2004/108/EG (früher 89/336/EWG) zur Angleichung der Rechtsvorschriften über die elektromagnetische Verträglichkeit in den EU-Mitgliedsstaaten und hält die Grenzwerte der EN 55022 Klasse B ein.

Um dieses sicherzustellen, sind die Geräte wie in den Handbüchern beschrieben zu installieren und zu betreiben. Des Weiteren dürfen auch nur von der Lenovo empfohlene Kabel angeschlossen werden. Lenovo übernimmt keine Verantwortung für die Einhaltung der Schutzanforderungen, wenn das Produkt ohne Zustimmung der Lenovo verändert bzw. wenn Erweiterungskomponenten von Fremdherstellern ohne Empfehlung der Lenovo gesteckt/eingebaut werden.

#### Deutschland:

##### Einhaltung des Gesetzes über die elektromagnetische Verträglichkeit von Betriebsmitteln

Dieses Produkt entspricht dem „Gesetz über die elektromagnetische Verträglichkeit von Betriebsmitteln“ EMVG (früher „Gesetz über die elektromagnetische Verträglichkeit von Geräten“). Dies ist die Umsetzung der EU-Richtlinie 2004/108/EG (früher 89/336/EWG) in der Bundesrepublik Deutschland.

##### Zulassungsbescheinigung laut dem Deutschen Gesetz über die elektromagnetische Verträglichkeit von Betriebsmitteln, EMVG vom 20. Juli 2007 (früher Gesetz über die elektromagnetische Verträglichkeit von Geräten), bzw. der EMV EG Richtlinie 2004/108/EC (früher 89/336/EWG), für Geräte der Klasse B.

Dieses Gerät ist berechtigt, in Übereinstimmung mit dem Deutschen EMVG das EG-Konformitätszeichen - CE - zu führen. Verantwortlich für die Konformitätserklärung nach Paragraf 5 des EMVG ist die Lenovo (Deutschland) GmbH, Meitnerstr. 9, D-70563 Stuttgart.

Informationen in Hinsicht EMVG Paragraf 4 Abs. (1) 4:

**Das Gerät erfüllt die Schutzanforderungen nach EN 55024 und EN 55022 Klasse B.**

### Korea Class B compliance statement

<b>B급 기기 (가정용 방송통신기자재)</b>
이 기기는 가정용(B급) 전자파적합기기로서 주로 가정에서 사용하는 것을 목적으로 하며, 모든 지역에서 사용할 수 있습니다.

### Notice for users in Korea

Note that this device has been certified for residential use and may be used in any environment.

당해 무선설비는 운용중 전파혼신 가능성이 있음.  
(It means that this wireless device may cause radio wave interference during operation)

## Japan VCCI Class B compliance statement

この装置は、クラスB情報技術装置です。この装置は、家庭環境で使用することを目的としていますが、この装置がラジオやテレビジョン受信機に近接して使用されると、受信障害を引き起こすことがあります。

取扱説明書に従って正しい取り扱いをして下さい。

VCCI-B

## Lenovo product service information for Taiwan

台灣 Lenovo 產品服務資訊如下：  
荷蘭商聯想股份有限公司台灣分公司  
台北市內湖區堤頂大道二段89號5樓  
服務電話：0800-000-702

## Eurasian compliance mark



Products intended for sale within the European Union are marked with the Conformité Européenne (CE) Marking, which indicates compliance with the applicable Directives and European Norms, and amendments, identified below.

Hereby, **Lenovo (Singapore) Pte. Ltd.**, declares that this **Lenovo Ultralim Plus Wireless Keyboard & Mouse** is in compliance with the essential requirements and other relevant provisions of Directive 1999/5/EC.

**Lenovo (Singapore) Pte. Ltd.** declara que este **Lenovo Ultralim Plus Wireless Keyboard & Mouse** está conforme com os requisitos essenciais e outras disposições da Directiva 1999/5/CE.

Par la présente **Lenovo (Singapore) Pte. Ltd.** déclare que l'appareil **Lenovo Ultralim Plus Wireless Keyboard & Mouse** est conforme aux exigences essentielles et aux autres dispositions pertinentes de la directive 1999/5/CE.

Undertegnede **Lenovo (Singapore) Pte. Ltd.** erklærer herved, at følgende udstyr **Lenovo Ultralim Plus Wireless Keyboard & Mouse** overholder de væsentlige krav og øvrige relevante krav i direktiv 1999/5/EF.

Käesolevaga kinnitab **Lenovo (Singapore) Pte. Ltd.** seadme **Lenovo Ultralim Plus Wireless Keyboard & Mouse** vastavust direktiivi 1999/5/EÜ põhinõuetele ja nimetatud direktiivist tulenevatele teistele asjakohastele sätetele. Richtlinie 1999/5/EG befindet.

**Lenovo (Singapore) Pte. Ltd.** tímto prohlašuje, že tento **Lenovo Ultralim Plus Wireless Keyboard & Mouse** je ve shodě se základními požadavky a dalšími příslušnými ustanoveními směrnice 1999/5/ES.

**Lenovo (Singapore) Pte. Ltd.** vakuuttaa täten että **Lenovo Ultralim Plus Wireless Keyboard & Mouse** tyypin laite on direktiivin 1999/5/EY oleellisten vaatimusten ja sitä koskevien direktiivin muiden ehtojen mukainen.

ΜΕ ΤΗΝ ΠΑΡΟΥΣΑ **Lenovo (Singapore) Pte. Ltd.** ΔΗΛΩΝΕΙ ΟΤΙ **Lenovo Ultralim Plus Wireless Keyboard & Mouse** ΣΥΜΜΟΡΦΩΝΕΤΑΙ ΠΡΟΣ ΤΙΣ ΟΥΣΙΩΔΕΙΣ ΑΠΑΙΤΗΣΕΙΣ ΚΑΙ ΤΙΣ ΛΟΙΠΕΣ ΣΧΕΤΙΚΕΣ ΔΙΑΤΑΞΕΙΣ ΤΗΣ ΟΔΗΓΙΑΣ 1999/5/ΕΚ.

Hiermit erklärt **Lenovo (Singapore) Pte. Ltd.**, dass sich das Gerät **Lenovo Ultralim Plus Wireless Keyboard & Mouse** in Übereinstimmung mit den grundlegenden Anforderungen und den übrigen einschlägigen Bestimmungen der Richtlinie 1999/5/EG befindet.

Alulírott, **Lenovo (Singapore) Pte. Ltd.** nyilatkozom, hogy a **Lenovo Ultralim Plus Wireless Keyboard & Mouse** megfelel a vonatkozó alapvető követelményeknek és az 1999/5/EC irányelv egyéb előírásainak.



Con la presente **Lenovo (Singapore) Pte. Ltd.** dichiara che questo **Lenovo Ultralim Plus Wireless Keyboard & Mouse** è conforme ai requisiti essenziali ed alle altre disposizioni pertinenti stabilite dalla direttiva 1999/5/CE.

Šiuo **Lenovo (Singapore) Pte. Ltd.** deklaruoja, kad šis **Lenovo Ultralim Plus Wireless Keyboard & Mouse** atitinka esminius reikalavimus ir kitas 1999/5/EB Direktyvos nuostatas.

Ar šo **Lenovo (Singapore) Pte. Ltd.** deklare, ka **Lenovo Ultralim Plus Wireless Keyboard & Mouse** atbilst Direktivas 1999/5/EK būtiskajam prasibam un citiem ar to saistitajiem noteikumiem.

Hierbij verklaart **Lenovo (Singapore) Pte. Ltd.** dat het toestel **Lenovo Ultralim Plus Wireless Keyboard & Mouse** in overeenstemming is met de essentiële eisen en de andere relevante bepalingen van richtlijn 1999/5/EG.

**Lenovo (Singapore) Pte. Ltd.** erklærer herved at utstyret **Lenovo Ultralim Plus Wireless Keyboard & Mouse** er i samsvar med de grunnleggende krav og øvrige relevante krav i direktiv 1999/5/EF.

Niniejszym **Lenovo (Singapore) Pte. Ltd.** oświadcza, że **Lenovo Ultralim Plus Wireless Keyboard & Mouse** jest zgodny z zasadniczymi wymogami oraz pozostałymi stosownymi postanowieniami Dyrektywy 1999/5/EC.

**Lenovo (Singapore) Pte. Ltd.** týmto vyhlasuje, že **Lenovo Ultralim Plus Wireless Keyboard & Mouse** spĺňa základné požiadavky a všetky príslušné ustanovenia Smernice 1999/5/ES.

**Lenovo (Singapore) Pte. Ltd.** izjavlja, da je ta **Lenovo Ultralim Plus Wireless Keyboard & Mouse** v skladu z bistvenimi zahtevami in ostalimi relevantnimi določili direktive 1999/5/ES.

Por medio de la presente **Lenovo (Singapore) Pte. Ltd.** declara que el **Lenovo Ultralim Plus Wireless Keyboard & Mouse** cumple con los requisitos esenciales y cualesquiera otras disposiciones aplicables o exigibles de la Directiva 1999/5/CE.

Härmed intygar **Lenovo (Singapore) Pte. Ltd.** att denna **Lenovo Ultralim Plus Wireless Keyboard & Mouse** står i överensstämmelse med de väsentliga egenskapskrav och övriga relevanta bestämmelser som framgår av direktiv 1999/5/EG.

Hawnhekk, **Lenovo (Singapore) Pte. Ltd.**, jiddikjara li dan **Lenovo Ultralim Plus Wireless Keyboard & Mouse** jikkonforma mal-htigijiet essenzjali u ma provvedimenti oħrajn relevanti li hemm fid-Direttiva 1999/5/EC.

Hér með lýsir **Lenovo (Singapore) Pte. Ltd.** yfir því að **Lenovo Ultralim Plus Wireless Keyboard & Mouse** er í samræmi við grunnkröfur og aðrar kröfur, sem gerðar eru í tilskipun 1999/5/EC.

## Notice for users in Croatia

Ovime, **Lenovo (Singapore) Pte. Ltd.**, izjavljuje da oprema za bežičnu komunikaciju koja je navedena u ovom odjelu, sukladna je sa nužnim zahtjevima i drugim ograničenjima Direktive 1995/5/EC.



## EC Declaration of Conformance

Product: Lenovo Ultralim Wireless Plus Keyboard, Mouse & Dongle

Models:

Product Name	Model	P/N
Wireless Keyboard	KBRF3971	Refer to attachment page
Wireless Mouse	MORFFHL	0B58509
Wireless Dongle	MORFFHL-D	0B58510

Trade Name: Lenovo

We, Primax Electronics Ltd., declare under sole responsibility that the above products, manufactured by:

**Primax Electronics Ltd.**  
No. 669, Ruyi Kuang Road,  
Neihu, Taipei Taiwan  
Phone: 886(2)2798 9008  
Fax: 886(2) 8797 1565

to which this declaration relates, is in conformity with the requirements of the following EC Directives:

- Council Directive 1999/5/EC of the European Parliament and of the council on radio equipment and telecommunications terminal equipment.
- Council Directive 2006/95/EC on the harmonization of the laws of the Member States relating to electronic equipment designed for use within certain voltage limits.
- Council Directive 2004/108/EC on the approximation of the laws of the member states relating to Electromagnetic Compatibility
- Council Directive 2011/65/EU of the European Parliament and of the council on the restriction of the use of certain hazardous substances in electrical and electronic equipment

Conformity with these Directives has been assessed for this product by demonstrating compliance to the following harmonized standards:

EN 300 440-1 V1.4.1 (2008-05)  
EN 300 440-2 V1.4.1 (2010-08)  
EN 301 489-1 V1.8.1 (2008-04)  
EN 301 489-3 V1.4.1 (2002-08)  
EN 50371: 2002  
EN 60950-1:2006 +A11:2009 +A1:2010 +A12:2012,  
EN 60825-1:2007  
EN 50581:2012

Signed:  Date: 2012/12/21  
C.T. Huang, Director  
Compliance Department

Last two digits of the year in which the CE marking was affixed: 12

Place of Issue: Taiwan  
Date: December 21, 2012  
Ref No: CE\_DoC\_13-002

Notice for users in Saudi Arabia

For model: Lenovo Ultralim Plus Wireless Keyboard – KBRF3971



هيئة الاتصالات وتقنية المعلومات  
Communications and Information Technology Commission  
(٢٣٩)



شهادة مطابقة

Conformity Certificate

Certificate No: 20140514410

رقم الشهادة: ٢٠١٤٠٥١٤٤١٠

Applicant Information		معلومات مقدم الطلب
<b>Applicant:</b>	Lenovo Information Product (Shenzhen) Co., Ltd.	اسم المقدم:
<b>Order Date:</b>	04/04/2014	تاريخ الطلب:
<b>Contact Info:</b>	P.O.BOX/ صندوق البريد BVCPS Taoyuan Branch, No., 19, Hwa Ya 2nd Rd, Wen Hwa Tsuen, Kweishan, Taoyuan, Taiwan R.O.C. 333	بيانات الاتصال:
	E-Mail/ بريد الكتروني silvia.huang@tw.bureauveritas.com	
Device Details		بيانات الجهاز
<b>Product Name:</b>	Lenovo Wireless Keyboard	اسم المنتج:
<b>Product Model:</b>	KBRF3971	موديل المنتج:
<b>Manufacturer:</b>	Dongguan Primax Electronic & Telecommunication Product Ltd.	المصنع:
Additional Details		معلومات إضافية
<b>Operating Frequency Range:</b>	2402-2479 MHz	الترددات المستخدمة:
<b>Maximum Output Power allowed (EIRP):</b>	1.135 mW	طاقة الخرج القصوى المسموحة:
Certificate Details		بيانات الشهادة
<b>Issue Date:</b>	14/05/2014	تاريخ الإصدار:
<b>Validity Period:</b>	One Year	مدة الصلاحية:
<b>Device comply with CITC technical Specification No.:</b>	RI054	الجهاز مطابق لمواصفة الهيئة رقم:
<b>Additional Requirement</b>	-	متطلبات إضافية

بناءً على نظام الاتصالات الصادر بالمرسوم الملكي ذي الرقم (١٢/م) والتاريخ ١٤٢٢/٠٣/١٢هـ ولانحته التنفيذية، وبموجب تنظيم هيئة الاتصالات وتقنية المعلومات بقرار مجلس الوزراء رقم (٧٤) والتاريخ ١٤٢٢/٠٣/٠٥هـ، فقد أصدرت الهيئة هذه الوثيقة بخصوص مطابقة الجهاز المشار إليه أعلاه. علماً بأن هذه الوثيقة لا تعتبر موافقة على فسخ الأجهزة المشار إليها أعلاه أو الترخيص باستخدامها، بل هي شهادة مطابقة للمواصفات الفنية المعمول بها بالهيئة. كما أن هذه الشهادة قد صدرت عن الهيئة بناءً على المعلومات المتاحة لها والتي وفرتها الجهة المستوردة أو المصنعة وقت صدور هذه الشهادة، ولا يجوز استخدام أو حيازة الأجهزة أو المتاجرة بها بصورة تخالف أحكام وأنظمة هيئة الاتصالات وتقنية المعلومات والأنظمة الأخرى ذات العلاقة المعمول بها في المملكة، وتتحمل الجهة المستوردة أو المصنعة وحدها المسؤولية عن أية أضرار أو خسائر أو إصابات قد تنشأ عن حيازة أو استخدام هذه الأجهزة أو المتاجرة بها. وفي حال كون الأجهزة مصنعة خارج المملكة فإنه يجب التقدم إلى الهيئة من قبل المستورد بطلب سحب الأجهزة قبل وقت وصولها إلى أحد المنافذ الجمركية.

اعتماد الشهادة

صدرت من قبل قطاع الشؤون الفنية - إدارة المعايير الفنية واعتماد النوعية



ص.ب ٧٥٦٠٦ الرياض ١١٥٨٨ - المملكة العربية السعودية - هاتف ٤٦١٨٠٠٠ (١١-٩٦٦) - فاكس: ٤٦١٨١٢٠ (١١-٩٦٦) - الموقع الإلكتروني www.citc.gov.sa  
P.O.Box:75606 Riyadh11588 Kingdom of Saudi Arabia - Tel:(966-11)4618000 - Fax:(966-11)4618120 - Web Site: www.citc.gov.sa

# Lenovo Ultralim Plus Wireless Mouse – MORFFHL



هيئة الاتصالات وتقنية المعلومات  
Communications and Information Technology Commission  
(٢٣٩)



شهادة مطابقة

## Conformity Certificate

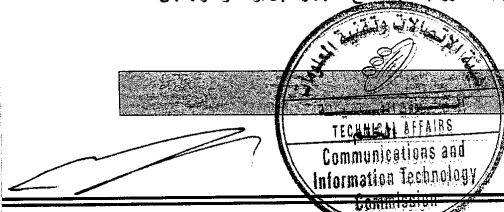
Certificate No: 20140514407

رقم الشهادة: ٢٠١٤٠٥١٤٤٠٧

Applicant Information		معلومات مقدم الطلب
Applicant:	Lenovo Information Product (Shenzhen) Co., Ltd.	اسم المقدم:
Order Date:	04/04/2014	تاريخ الطلب:
Contact Info:	P.O.BOX/البريد صندوق BVCPS Taoyuan Branch, No., 19, Hwa Ya 2nd Rd, Wen Hwa Tsuen, Kweishan, Taoyuan, Taiwan R.O.C. 333	بيانات الاتصال:
	E-Mail/بريد إلكتروني silvia.huang@tw.bureauveritas.com	
Device Details		بيانات الجهاز
Product Name:	Lenovo Wireless Mouse	اسم المنتج:
Product Model:	MORFFHL	موديل المنتج:
Manufacturer:	Dongguan Primax Electronic & Telecommunication Product Ltd.	المصنع:
Additional Details		معلومات إضافية
Operating Frequency Range:	2400-2483.5 MHz	الترددات المستخدمة:
Maximum Output Power allowed (EIRP):	1 mW	طاقة الخرج القصوى المسموحة:
Certificate Details		بيانات الشهادة
Issue Date:	14/05/2014	تاريخ الإصدار:
Validity Period:	One Year	مدة الصلاحية:
Device comply with CITC technical Specification No.:	RI054	الجهاز مطابق لمواصفة الهيئة رقم:
Additional Requirement	-	متطلبات إضافية

بناءً على نظام الاتصالات الصادر بالمرسوم الملكي ذي الرقم (١٢/م) والتاريخ ١٢/٠٣/١٤٢٢هـ ولإلحاحه التنفيذية، وبموجب تنظيم هيئة الاتصالات وتقنية المعلومات بقرار مجلس الوزراء رقم (٧٤) والتاريخ ١٢/٠٣/١٤٢٢هـ، فقد أصدرت الهيئة هذه الوثيقة بخصوص مطابقة الجهاز المشار إليه أعلاه. علماً بأن هذه الوثيقة لا تعتبر موافقة على فسح الأجهزة المشار إليها أعلاه أو الترخيص باستخدامها، بل هي شهادة مطابقة للمواصفات الفنية المعمول بها بالهيئة. كما أن هذه الشهادة قد صدرت عن الهيئة بناءً على المعلومات المتاحة لها والتي وفرتها الجهة المستوردة أو المصنعة وقت صدور هذه الشهادة، ولا يجوز استخدام أو حيازة الأجهزة أو المتاجرة بها بصورة تخالف أحكام وأنظمة هيئة الاتصالات وتقنية المعلومات والأنظمة الأخرى ذات العلاقة المعمول بها في المملكة، وتحمل الجهة المستوردة أو المصنعة وحدها المسؤولية عن أية أضرار أو خسائر أو إصابات قد تنشأ عن حيازة أو استخدام هذه الأجهزة أو المتاجرة بها. وفي حال كون الأجهزة مصنعة خارج المملكة فإنه يجب التقدم إلى الهيئة من قبل المستورد بطلب لفسح الأجهزة قبل وقت وصولها إلى أحد المنافذ الجمركية.

اعتماد الشهادة



صدرت من قبل قطاع الشؤون الفنية – إدارة المعايير الفنية واعتماد النوعية

ص.ب ٧٥٦٠٦ الرياض ١١٥٨٨ - المملكة العربية السعودية - هاتف ٤٦١٨ ٠٠٠ (١١-٩٦٦) - فاكس: ٤٦١٨١٢٠ (١١-٩٦٦) - الموقع الإلكتروني www.citc.gov.sa  
P.O.Box:75606 Riyadh11588 Kingdom of Saudi Arabia - Tel:(966-11)4618000 - Fax:(966-11)4618120 - Web Site: www.citc.gov.sa

# Lenovo Ultrastim Plus Wireless Dongle – MORFFHL-D



هيئة الاتصالات وتقنية المعلومات  
Communications and Information Technology Commission  
(٢٣٩)



## شهادة مطابقة Conformity Certificate

Certificate No: 20140514408

رقم الشهادة: ٢٠١٤٠٥١٤٤٠٨

معلومات مقدم الطلب		Applicant Information	
اسم المقدم:	Lenovo Information Product (Shenzhen) Co., Ltd.	Applicant:	Lenovo Information Product (Shenzhen) Co., Ltd.
تاريخ الطلب:	04/04/2014	Order Date:	04/04/2014
بيانات الاتصال:	بريد إلكتروني/E-Mail silvia.huang@tw.bureauveritas.com	Contact Info:	صندوق البريد/P.O.BOX BVCPS Taoyuan Branch, No., 19, Hwa Ya 2nd Rd, Wen Hwa Tsuen, Kweishan, Taoyuan, Taiwan R.O.C. 333
بيانات الجهاز		Device Details	
اسم المنتج:	Lenovo Wireless Dongle	Product Name:	Lenovo Wireless Dongle
موديل المنتج:	MORFFHL-D	Product Model:	MORFFHL-D
المصنع:	Dongguan Primax Electronic & Telecommunication Product Ltd.	Manufacturer:	Dongguan Primax Electronic & Telecommunication Product Ltd.
معلومات إضافية		Additional Details	
الترددات المستخدمة:	2400-2483.5 MHz	Operating Frequency Range:	2400-2483.5 MHz
طاقة الخرج القصوى المسموحة:	1 mW	Maximum Output Power allowed (EIRP):	1 mW
بيانات الشهادة		Certificate Details	
تاريخ الإصدار:	14/05/2014	Issue Date:	14/05/2014
مدة الصلاحية:	One Year	Validity Period:	One Year
الجهاز مطابق لمواصفة الهيئة رقم:	RI054	Device comply with CITC technical Specification No.:	RI054
متطلبات إضافية	-	Additional Requirement	-

بناءً على نظام الاتصالات الصادر بالمرسوم الملكي ذي الرقم (١٢/م) والتاريخ ١٤٢٢/٠٣/١٢هـ ولانحته التنفيذية، وبموجب تنظيم هيئة الاتصالات وتقنية المعلومات بقرار مجلس الوزراء رقم (٧٤) والتاريخ ١٤٢٢/٠٣/٠٥هـ، فقد أصدرت الهيئة هذه الوثيقة بخصوص مطابقة الجهاز المشار إليه أعلاه. علماً بأن هذه الوثيقة لا تعتبر موافقة على فسح الأجهزة المشار إليها أعلاه أو الترخيص باستخدامها، بل هي شهادة مطابقة للمواصفات الفنية المعمول بها بالهيئة. كما أن هذه الشهادة قد صدرت عن الهيئة بناءً على المعلومات المتاحة لها والتي وفرتها الجهة المستوردة أو المصنعة وقت صدور هذه الشهادة، ولا يجوز استخدام أو حيازة الأجهزة أو المتاجرة بها بصورة تخالف أحكام وأنظمة هيئة الاتصالات وتقنية المعلومات والأنظمة الأخرى ذات العلاقة المعمول بها في المملكة، وتحتمل الجهة المستوردة أو المصنعة وحدها المسؤولية عن أية أضرار أو خسائر أو إصابات قد تنشأ عن حيازة أو استخدام هذه الأجهزة أو المتاجرة بها. وفي حال كون الأجهزة مصنعة خارج المملكة فإنه يجب التقدم إلى الهيئة من قبل المستورد بطلب لفسح الأجهزة قبل وقت وصولها إلى أحد المنافذ الجمركية.

اعتماد الشهادة

صدرت من قبل قطاع الشؤون الفنية – إدارة المعايير الفنية واعتماد النوعية



ص.ب. ٧٥٦٠٦ الرياض ١١٥٨٨ - المملكة العربية السعودية - هاتف ٤٦١٨٠٠٠ (١١-٩٦٦) - فاكس: ٤٦١٨١٢٠ (١١-٩٦٦) - الموقع الإلكتروني www.citc.gov.sa  
P.O.Box:75606 Riyadh11588 Kingdom of Saudi Arabia - Tel:(966-11)4618000 - Fax:(966-11)4618120 - Web Site: www.citc.gov.sa

Lenovo Ultralim Plus Wireless Keyboard & Mouse を日本国内でご使用になる際の注意

本製品が装備する無線装置は電波法に基づき技術基準認証を取得している機器です。

#### 無線キーボード

認証製品名： KBRF3971  
認証申請者名： Primax Electronics Ltd.  
認証番号： 005WWCA0530

#### 無線マウス

認証製品名： MORFFHL  
認証申請者名： Primax Electronics Ltd.  
認証番号： 005WWCA0528

#### レシーバ

認証製品名： MORFFHL-D  
認証申請者名： Primax Electronics Ltd.  
認証番号： 005WWCA0529

#### 電波干渉についての注意

この機器の使用周波数帯では、電子レンジ等の産業・科学・医療用機器のほか工場の製造ライン等で使用されている移動体識別用の構内無線局（免許を要する無線局）及び特定小電力無線局（免許を要しない無線局）が運用されています。

- 1 この機器を使用する前に、近くで移動体識別用の構内無線局及び特定小電力無線局が運用されていないことを確認して下さい。
- 2 万一、この機器から移動体識別用の構内無線局に対して電波干渉の事例が発生した場合には、速やかに使用周波数を変更するか又は電波の発射を停止した上、下記連絡先にご連絡頂き、混信回避のための処置等(例えば、パーティションの設置など)についてご相談して下さい。
- 3 その他、この機器から移動体識別用の特定小電力無線局に対して電波干渉の事例が発生した場合など何かお困りのことが起きたときは、次の連絡先へお問い合わせ下さい。

連絡先： スマートセンター

スマートセンターのご利用方法は、次のホームページでご確認頂けます。

<http://www.ibm.com/jp/pc/support/contact/smartctr/>



この無線装置が、2.4GHz周波数帯(2400MHz～2483.5MHz)を使用する直接拡散変調方式の無線設備で、干渉距離が約10mであることを意味しています。

以上の内容は、「社団法人 電波産業界」ARIB STD-T66の趣旨に基づくものです。

低功率電波輻射性電機管理辦法

第十二條

經型式認證合格之低功率射頻電機，非經許可，公司、商號或使用者均不得擅自變更功

率、加大功率或變更原設計之特性及功能。

第十四條

低功率射頻電機之使用不得影響飛航安全及干擾合法通信；經發現有干擾現象時，應立

即停用，並改善至無干擾時方得繼續使用。

前項合法通信，指依電信法規定作業之無線電通信。

低功率射頻電機須忍受合法通信或工業、科學及醫療用電波輻射性電機設備之干擾。

#### Lenovo Ultralim Plus Wireless Keyboard Taiwan NCC ID:



**Lenovo Ultralim Plus Wireless Mouse Taiwan NCC ID:**



**Lenovo Ultralim Plus Wireless Dongle Taiwan NCC ID:**



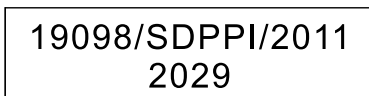
**Lenovo Ultralim Plus Wireless Keyboard – KBRF3971** India ETA: ETA-1071/2011/WRLO

**Lenovo Ultralim Plus Wireless Mouse – MORFFHL** India ETA: ETA-1073/2011/WRLO

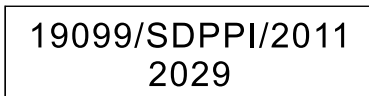
**Lenovo Ultralim Plus Wireless Dongle – MORFFHL-D** India ETA: ETA-1072/2011/WRLO

**Indonesia**

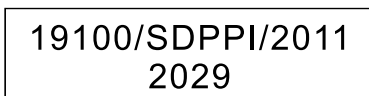
**Lenovo Ultralim Plus Wireless Keyboard – KBRF3971**



**Lenovo Ultralim Plus Wireless Mouse – MORFFHL**



**Lenovo Ultralim Plus Wireless Dongle – MORFFHL-D**



**Mexico**

**Teclado inalámbrico modelo KBRF3971**

Mexico COFETEL: RCPLEKB12-0391

**Mouse inalámbrico modelo MORFFHL**

Mexico COFETEL: RCPLEMO12-0392

**Dispositivo de acceso inalámbrico MORFFHL-D**

Mexico COFETEL: RCPLEMO12-0393

## Mexico regulatory notice

**Advertensia:** En Mexico la operación de este equipo está sujeta a las siguientes dos condiciones: (1) es posible que este equipo o dispositivo no cause interferencia perjudicial y (2) este equipo o dispositivo debe aceptar cualquier interferencia, incluyendo la que pueda causar su operación no deseada.

## South Africa

**Lenovo Ultralim Plus Wireless Keyboard – KBRF3971** South Africa ICASA:



**Lenovo Ultralim Plus Wireless Mouse – MORFFHL** South Africa ICASA:



**Lenovo Ultralim Plus Wireless Dongle – MORFFHL-D** South Africa ICASA:



## Notice for users in Thailand

For models: Lenovo Ultralim Plus Wireless Keyboard (KBRF3971), Lenovo Ultralim Plus Wireless Mouse (MORFFHL), and Lenovo Ultralim Plus Wireless Dongle (MORFFHL-D)

This wireless communication equipment has the electromagnetic field strength in compliance with the Safety Standard for the Use of Wireless Communication Devices on Human Health announced by the National Telecommunications Commission.

" เครื่องโทรคมนาคมและอุปกรณ์นี้ มีความสอดคล้องตามข้อกำหนดของ กทช."

## Notice for users in the United Arab Emirates

For models: Lenovo Ultralim Plus Wireless Keyboard (KBRF3971), Lenovo Ultralim Plus Wireless Mouse (MORFFHL), and Lenovo Ultralim Plus Wireless Dongle (MORFFHL-D)

Telecommunications Regulatory Authority (TRA) approved

For model KBRF3971:



TRA  
REGISTERED No.  
ER0062909/11  
DEALER No.  
DA0042866/10

For model MORFFHL:

TRA  
REGISTERED No.  
ER0062911/11  
DEALER No.  
DA0042866/10

For model MORFFHL-D:

TRA  
REGISTERED No.  
ER0062912/11  
DEALER No.  
DA0042866/10



---

## Appendix D. Notices

Lenovo may not offer the products, services, or features discussed in this document in all countries. Consult your local Lenovo representative for information on the products and services currently available in your area. Any reference to a Lenovo product, program, or service is not intended to state or imply that only that Lenovo product, program, or service may be used. Any functionally equivalent product, program, or service that does not infringe any Lenovo intellectual property right may be used instead. However, it is the user's responsibility to evaluate and verify the operation of any other product, program, or service.

Lenovo may have patents or pending patent applications covering subject matter described in this document. The furnishing of this document does not give you any license to these patents. You can send license inquiries, in writing, to:

*Lenovo (United States), Inc.  
1009 Think Place - Building One  
Morrisville, NC 27560  
U.S.A.  
Attention: Lenovo Director of Licensing*

LENOVO PROVIDES THIS PUBLICATION "AS IS" WITHOUT WARRANTY OF ANY KIND, EITHER EXPRESS OR IMPLIED, INCLUDING, BUT NOT LIMITED TO, THE IMPLIED WARRANTIES OF NON-INFRINGEMENT, MERCHANTABILITY OR FITNESS FOR A PARTICULAR PURPOSE. Some jurisdictions do not allow disclaimer of express or implied warranties in certain transactions, therefore, this statement may not apply to you.

This information could include technical inaccuracies or typographical errors. Changes are periodically made to the information herein; these changes will be incorporated in new editions of the publication. Lenovo may make improvements and/or changes in the product(s) and/or the program(s) described in this publication at any time without notice.

---

## Recycling and environmental information

Lenovo encourages owners of information technology (IT) equipment to responsibly recycle their equipment when it is no longer needed. Lenovo offers a variety of programs and services to assist equipment owners in recycling their IT products. For information on recycling Lenovo products, go to:  
<http://www.lenovo.com/recycling>

Recycling and disposal information for Japan is available at:  
<http://www.lenovo.com/recycling/japan>

The latest environmental information about our products is available at:  
<http://www.lenovo.com/ecodeclaration>

---

## Recycling information for China

### 《废弃电器电子产品回收处理管理条例》提示性说明

联想鼓励拥有联想品牌产品的用户当不再需要此类产品时，遵守国家废弃电器电子产品回收处理相关法律法规，将其交给当地具有国家认可的回收处理资质的厂商进行回收处理。更多回收服务信息，请点击进入  
<http://support.lenovo.com.cn/activity/551.htm>

---

## Recycling information for Brazil

### Declarações de Reciclagem no Brasil

#### Descarte de um Produto Lenovo Fora de Uso

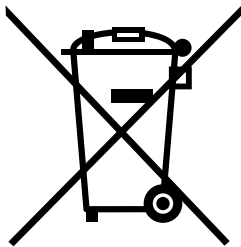
Equipamentos elétricos e eletrônicos não devem ser descartados em lixo comum, mas enviados à pontos de coleta, autorizados pelo fabricante do produto para que sejam encaminhados e processados por empresas especializadas no manuseio de resíduos industriais, devidamente certificadas pelos órgãos ambientais, de acordo com a legislação local.

A Lenovo possui um canal específico para auxiliá-lo no descarte desses produtos. Caso você possua um produto Lenovo em situação de descarte, ligue para o nosso SAC ou encaminhe um e-mail para: [reciclar@lenovo.com](mailto:reciclar@lenovo.com), informando o modelo, número de série e cidade, a fim de enviarmos as instruções para o correto descarte do seu produto Lenovo.

---

## Battery recycling information for the European Union

EU



**Notice:** This mark applies only to countries within the European Union (EU).

Batteries or packaging for batteries are labeled in accordance with European Directive 2006/66/EC concerning batteries and accumulators and waste batteries and accumulators. The Directive determines the framework for the return and recycling of used batteries and accumulators as applicable throughout the European Union. This label is applied to various batteries to indicate that the battery is not to be thrown away, but rather reclaimed upon end of life per this Directive.

In accordance with the European Directive 2006/66/EC, batteries and accumulators are labeled to indicate that they are to be collected separately and recycled at end of life. The label on the battery may also include a chemical symbol for the metal concerned in the battery (Pb for lead, Hg for mercury, and Cd for cadmium). Users of batteries and accumulators must not dispose of batteries and accumulators as unsorted municipal waste, but use the collection framework available to customers for the return, recycling, and treatment of batteries and accumulators. Customer participation is important to minimize any potential effects of batteries and accumulators on the environment and human health due to the potential presence of hazardous substances.

Before placing electrical and electronic equipment (EEE) in the waste collection stream or in waste collection facilities, the end user of equipment containing batteries and/or accumulators must remove those batteries and accumulators for separate collection.

#### Disposing of lithium batteries and battery packs from Lenovo products

A coin-cell type lithium battery might be installed inside your Lenovo product. You can find details about the battery in the product documentation. If the battery needs to be replaced, contact your place of purchase or

contact Lenovo for service. If you need to dispose of a lithium battery, insulate it with vinyl tape, contact your place of purchase or a waste-disposal operator, and follow their instructions.

### **Disposing of battery packs from Lenovo products**

Your Lenovo device might contain a lithium-ion battery pack or a nickel metal hydride battery pack. You can find details on the battery pack in the product documentation. If you need to dispose of a battery pack, insulate it with vinyl tape, contact Lenovo sales, service, or your place of purchase, or a waste-disposal operator, and follow their instructions. You also can refer to the instructions provided in the user guide for your product

For proper collection and treatment, go to:  
<http://www.lenovo.com/lenovo/environment>

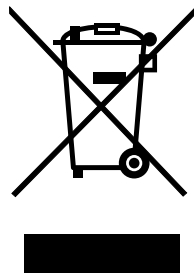
---

## **Export Classification Notice**

This product is subject to the United States Export Administration regulations (EAR) and has an Export Classification Control Number (ECCN) of 5A992.c. It can be re-exported except to any of the embargoed countries in the EAR E1 country list.

---

## **Important WEEE information**



The WEEE marking on Lenovo products applies to countries with WEEE and e-waste regulations (for example, the European WEEE Directive, India E-Waste Management & Handling Rules, 2011). Appliances are labeled in accordance with local regulations concerning waste electrical and electronic equipment (WEEE). These regulations determine the framework for the return and recycling of used appliances as applicable within each geography. This label is applied to various products to indicate that the product is not to be thrown away, but rather put in the established collection systems for reclaiming these end of life products.

Users of electrical and electronic equipment (EEE) with the WEEE marking must not dispose of end of life EEE as unsorted municipal waste, but use the collection framework available to them for the return, recycle, and recovery of WEEE and to minimize any potential effects of EEE on the environment and human health due to the presence of hazardous substances. Lenovo electrical and electronic equipment (EEE) may contain parts and components, which at end-of-life might qualify as hazardous waste.

EEE and waste electrical and electronic equipment (WEEE) can be delivered free of charge to the place of sale or any distributor that sells electrical and electronic equipment of the same nature and function as the used EEE or WEEE.

For additional WEEE information go to: <http://www.lenovo.com/recycling>

### **WEEE information for Hungary**

Lenovo, as a producer, bears the cost incurred in connection with the fulfillment of Lenovo's obligations under Hungary Law No. 197/2014 (VIII.1.) subsections (1)-(5) of section 12.

---

## **Trademarks**

Lenovo and the Lenovo logo are trademarks of Lenovo in the United States, other countries, or both.

Microsoft, Windows, and Windows Vista are trademarks of the Microsoft group of companies.

Other company, product, or service names may be trademarks or service marks of others.

---

## Appendix E. Restriction of Hazardous Substances Directive (RoHS)

---

### European Union RoHS

This Lenovo product, with included parts (cables, cords, and so on) meets the requirements of Directive 2011/65/EU on the restriction of the use of certain hazardous substances in electrical and electronic equipment (“RoHS recast” or “RoHS 2”).

For more information about Lenovo worldwide compliance on RoHS, go to:  
[http://www.lenovo.com/social\\_responsibility/us/en/RoHS\\_Communication.pdf](http://www.lenovo.com/social_responsibility/us/en/RoHS_Communication.pdf)

---


### China RoHS

为满足中国电子电气产品有害物质限制相关的法律法规和其他要求，联想公司对本产品中有害物质，按部件分类，声明如下。

部件名称	有害物质					
	铅 (Pb)	汞 (Hg)	镉 (Cd)	六价铬 (Cr (VI))	多溴联苯 (PBB)	多溴二苯醚 (PBDE)
印刷电路板组件*	X	O	O	O	O	O
外壳及配件	X	O	O	O	O	O

本表格依据SJ/T 11364的规定编制。  
O：表示该有害物质在该部件所有均质材料中的含量均在GB/T 26572规定的限量要求以下。  
X：表示该有害物质至少在该部件的某一均质材料中的含量超出GB/T 26572规定的限量要求。  
表中标记“X”的部件，皆因全球技术发展水平限制而无法实现有害物质的替代。

印刷电路板组件\*：包括印刷电路板及其零部件，电子元器件等  
根据产品型号不同，您所购买的产品可能不会含有以上所有部件

 在中华人民共和国境内销售的电子电气产品上将印有“环保使用期”(EPuP)符号。圆圈中的数字代表产品的正常环保使用年限。

---

### Turkish RoHS

The Lenovo product meets the requirements of the Republic of Turkey Directive on the Restriction of the Use of Certain Hazardous Substances in Waste Electrical and Electronic Equipment (WEEE).

#### Türkiye AEEE Yönetmeliğine Uygunluk Beyanı

Bu Lenovo ürünü, T.C. Çevre ve Orman Bakanlığı'nın “Atık Elektrik ve Elektronik Eşyalarda Bazı Zararlı Maddelerin Kullanımının Sınırlandırılmasına Dair Yönetmelik (AEEE)” direktiflerine uygundur.

AEEE Yönetmeliğine Uygundur.

---

### Ukraine RoHS

Цим підтверджуємо, що продукція Леново відповідає вимогам нормативних актів України, які обмежують вміст небезпечних речовин

---

## **India RoHS**

RoHS compliant as per E-Waste (Management & Handling) Rules, 2011.





