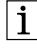


***lenovo***

# ThinkPad Optical Disk Drive User Guide

 <http://www.lenovo.com/safety>

**Note:** Before installing the product, be sure to read the warranty information in Appendix B “Lenovo Limited Warranty” on page 15.

**Third Edition (June 2015)**

**© Copyright Lenovo 2012, 2015.**

LIMITED AND RESTRICTED RIGHTS NOTICE: If data or software is delivered pursuant a General Services Administration “GSA” contract, use, reproduction, or disclosure is subject to restrictions set forth in Contract No. GS-35F-05925.

---

# Contents

<b>Chapter 1. About the drive . . . . .</b>	<b>1</b>	<b>Appendix B. Lenovo Limited</b>	
Product description . . . . .	1	<b>Warranty. . . . .</b>	<b>15</b>
Locating controls. . . . .	1	Part 1 - General Terms . . . . .	15
Software description . . . . .	2	Part 2 - Country-specific Terms . . . . .	17
<b>Chapter 2. Installing the drive. . . . .</b>	<b>5</b>	Part 3 - Warranty Service Information. . . . .	20
Before you begin. . . . .	5	Suplemento de Garantía para México. . . . .	21
Installing the drive . . . . .	5	<b>Appendix C. Electronic emission</b>	
Installing software . . . . .	5	<b>notices . . . . .</b>	<b>23</b>
<b>Chapter 3. Using the drive . . . . .</b>	<b>7</b>	<b>Appendix D. Notices. . . . .</b>	<b>25</b>
Before you begin. . . . .	7	Trademarks . . . . .	25
Caring for the drive . . . . .	7	Recycling information . . . . .	25
Loading a disc. . . . .	7	Recycling information for China . . . . .	26
Manually opening the disc tray . . . . .	8	Recycling information for Brazil . . . . .	26
Using media . . . . .	8	Important WEEE information . . . . .	26
Handling and caring for a disc. . . . .	9	Export Classification Notice . . . . .	27
Using DVD-RAM media . . . . .	9	<b>Appendix E. Restriction of Hazardous</b>	
<b>Chapter 4. Troubleshooting . . . . .</b>	<b>11</b>	<b>Substances Directive (RoHS) . . . . .</b>	<b>29</b>
<b>Appendix A. Service and Support. . . . .</b>	<b>13</b>	European Union RoHS . . . . .	29
Online technical support . . . . .	13	China RoHS. . . . .	29
Telephone technical support . . . . .	13	Turkish RoHS . . . . .	29
Accessibility information . . . . .	13	Ukraine RoHS . . . . .	29
		India RoHS . . . . .	30



---

## Chapter 1. About the drive

This manual provides information on registering, installing, and using the following ThinkPad® optical disk drives (hereafter called the drive):

- ThinkPad DVD Burner Ultrabay™ Enhanced Drive
- ThinkPad DVD Burner Ultrabay Slim Drive II
- ThinkPad DVD-ROM Ultrabay Slim Drive II

The appendices of this manual contain warranty information and legal notices.

---

### Product description

This section provides a brief product description of the drive:

For the following drives:

- **ThinkPad DVD Burner Ultrabay Enhanced Drive**
- **ThinkPad DVD Burner Ultrabay Slim Drive II**

The drive can:

- Record and read DVD-RAM, DVD-RW, DVD-R, DVD+R, and DVD+RW media
- Record CD-R, CD-RW, and high-speed CD-RW media by using the buffer underrun prevention technology
- Read DVD, video CD, and audio CD media
- Read multiple-session, CD-ROM extended architecture (CD-ROM XA) CD media, and Kodak photo CD media

For **ThinkPad DVD-ROM Ultrabay Slim Drive II**:

The drive can:

- Read CD-RW and CD-R media
- Read mass-produced, stamped CD and DVD media
- Read DVD-RAM, DVD+/-R, DVD+/-RW formatted media

**Note:** The drive can read CD media at a maximum speed of 24x, and DVD media at a maximum speed of 8x.

---

### Locating controls

The following figure shows the locations of the controls on the drive.

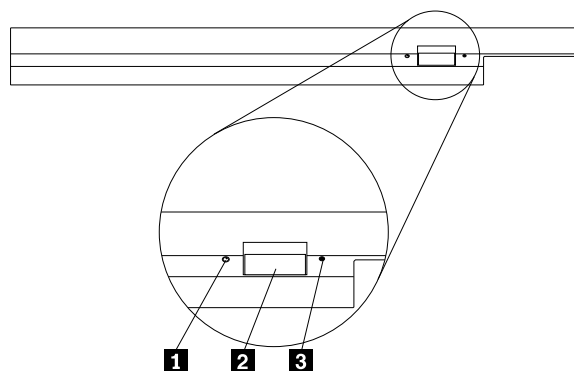


Figure 1. Locations of the controls on the drive

- |                            |  |
|----------------------------|--|
| <b>1</b> Power indicator   | This indicator is on when the drive is in use.   |
| <b>2</b> Eject button      | Press this button to eject a DVD or CD disc.<br><b>Attention:</b> Before you press the Eject button, ensure that nothing is placed in front of the disc tray.                    |
| <b>3</b> Manual eject hole | Use this emergency release control to manually eject a DVD or CD disc when the Eject button does not work. For more information, see “Manually opening the disc tray” on page 8. |

---

## Software description

The *Software and User Guide Disc* contains the following programs:

- **PowerDVD Create**

This program enables you to perform the following tasks:

- Add your own videos and create custom menus for DVD videos that you created
- Author data discs
- Burn saved images to discs
- Copy discs
- Create audio CDs and MP3 CDs
- Create bootable CDs
- Create DVD-RAM, DVD-RW, DVD-R, DVD+RW, and DVD+R media that can be played on both the DVD player of your computer and stand-alone DVD players
- Edit and modify your own video
- Import and edit unprotected DVD discs
- Save disc images for later recording
- View and extract files from ISO disc images

**Note:** If you have an analog, USB, or IEEE 1394 capture device installed on your computer, you can use this program to record videos from a camera.

- **PowerDVD**

This program enables you to perform the following tasks:

- Play video files
- Play back DVD videos

**Note:** Lenovo reserves the right to change and update the optical software without notice. For more information, go to <http://www.lenovo.com/support>, and click **Drivers & Software**.





---

## Chapter 2. Installing the drive

This chapter provides information on how to install the drive.

---

### Before you begin

Before installing the drive, carefully read the following precautions:

- The drive is shipped with a static-protective package. Do not open the package until you are ready to install the drive.
- Limit your movement when installing the drive. Movement can cause static electricity to build up around you.
- Carefully handle the drive. Shaking or dropping the drive might damage the components inside the drive.

---

### Installing the drive

To install the drive, do the following:

1. Turn off the computer, and then disconnect the ac power adapter and all cables from the computer.
2. Remove the old drive. For instructions on how to remove the drive, see the Access Help information system that comes with your ThinkPad computer.
3. Touch the static-protective package that contains the new drive to any unpainted surface for at least two seconds. Then, take the new drive out of the package.
4. Install the new drive into the drive bay. For instructions on how to install the drive, see the Access Help information system that comes with your ThinkPad computer.

You also can refer to the setup and warranty posters that come with your option package for installation instructions.

---

### Installing software

After you have installed the drive on your computer, you can install the software on the *Software and User Guide Disc*. For detailed software information, see “Software description” on page 2.

To install the software, do the following:

1. Save any open documents and exit all applications.
2. Insert the *Software and User Guide Disc* and do one of the following:
  - If the disc starts automatically, go to step 3.
  - If the AutoPlay window opens, click **Run ViewHtml.exe**. Then, go to step 3.
  - If the disc does not start automatically, go into **My Computer**, **Computer**, or **This PC**, browse the CD/DVD drive, and double-click **ViewHtml.exe**.
3. Select your language.
4. On the left side of the window, click **Software**.
5. Follow the instructions on the screen.



---

## Chapter 3. Using the drive

This chapter provides information on how to use the drive.

---

### Before you begin

Before you use the drive, be sure to read the following precautions:

- Do not move your computer while formatting or writing to a disc, as this might cause data errors.
- Minimize typing while formatting or writing to a disc, as this might cause data errors.
- Keep your computer on a flat surface when writing to a disc.
- Make sure that your computer is plugged into an outlet when using the drive. The disc might be damaged if the battery runs out while writing to a disc.
- Turn screensavers off. Using a screensaver might interrupt the formatting and writing process.
- Do not put your computer into hibernation or suspend mode while writing to a disc.

**Note:** The read and write results of the drive depends on the quality and characteristics of the DVD or CD media used.

---

### Caring for the drive

To protect your drive, take the following precautions:

- Avoid exposing the drive to the following conditions:
  - Direct sunlight
  - Excessive dust
  - High humidity
  - High temperature
  - Mechanical vibration
  - Placement on an inclined surface
  - Sudden shock or dropping
  - Sudden temperature change
- Do not insert foreign objects into the drive.
- Do not move the drive when it is in use. Movement might cause data error or damage the drive or disc.
- Do not move the drive when a disc is contained in the disc tray.
- Do not move the drive when the disc tray is not closed.
- Do not remove the drive cover or attempt to repair the drive.
- Do not stack objects on the drive.

**Note:** Keep the original packaging materials. If you need to ship the drive to a different location, use the original packaging materials to make sure that the drive is safely packaged for transportation.

---

### Loading a disc

This topic provides instructions on how to load a disc.

To load a disc, do the following:

1. Press the Eject button. The disc tray slides out of the drive.
2. Place a disc in the disc tray with the label facing up.
3. Close the disc tray by gently pushing the disc tray in until it latches.

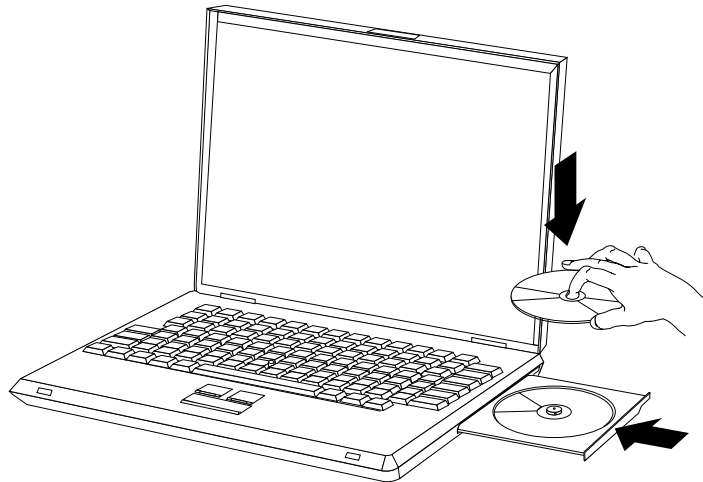


Figure 2. Loading a disc

**Attention:** Do not use force or insert foreign objects to open the disc tray. If the disc tray does not open when you press the Eject button, see “Manually opening the disc tray” on page 8.

---

## Manually opening the disc tray

To manually open the disc tray, do the following:

1. Turn off the computer.
2. Straighten a paper clip with the straightened end extending at least 45 mm (1.8 inches).

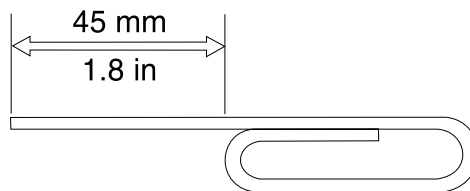


Figure 3. The straightened paper clip

3. Insert the straightened end of the paper clip into the manual eject hole (see “Locating controls” on page 1), and push the paper clip into the hole until the disc tray opens.
4. Gently pull the disc tray out until you can remove the disc.

---

## Using media

This section provides information on using media.

## Handling and caring for a disc

Be careful when handling the removed disc. Debris, dust particles, fingerprints, smears, or scratches might impair recording and playback of the media. To clean the dust or other debris, use a CD cleaning kit. Use a soft, dry cloth to clean the disc. Do not use solvents to clean the disc surface. When labeling a disc, write only on the printed label side or the cartridge using a soft felt-tip marker. Keep the disc out of direct sunlight, high temperatures, or humidity. Do not attach labels to either side of the disc. Do not touch the recording area of the disc when handling bare media.

Carefully handle and clean discs, especially writable media types such as CD-R and CD-RW discs, so that they remain readable. You can prolong the life of your discs by following the precautions below:

- Always store discs in their original packaging.
- Always store discs out of direct sunlight.
- Always store discs away from direct heat sources.
- Remove discs from the computer when not in use.
- Check discs for cracks before each use.

### **Important:**

- Do not use discs that are cracked.
- Do not force discs into the computer or packaging.
- Do not bend or flex discs.
- Do not use commercial cleaners to clean discs.
- Do not write on the surface of discs.
- Handle discs by the edges or the center hole.
- Do not touch the surface of discs.
- To remove dust or fingerprints, wipe discs from the center to the edge with a soft, lint-free cloth.

**Attention:** Wiping a disc using a circular motion can cause data loss.

## Using DVD-RAM media

DVD-RAM media are available in bare-disc or cartridge form. To use DVD-RAM media in your drive, you need to firstly remove the disc from the cartridge, and then return the disc to the cartridge.

## Removing the disc from the cartridge

Using the tip of a ball point pen, push and break the lock pin tab **1**. To remove the disc, use a ball point pen to push down on the cartridge lid lock **2** and pull the cartridge lid **3** out. When the cartridge lid is open, the disc can be removed.

**Note:** For some cartridges, the cartridge lid lock and the cartridge lid tab are located on the side, as shown in **2a** and **3a**.

**Attention:** Do not touch the recording area of the disc when handling bare media.

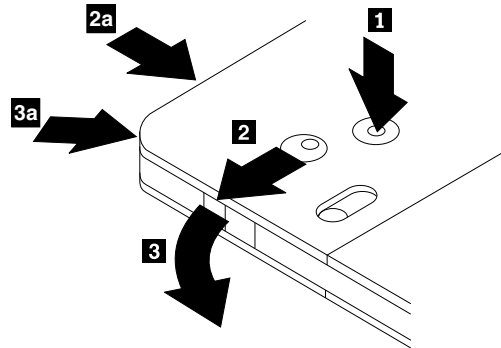


Figure 4. Removing the disc from the cartridge

## Installing the disc to the cartridge

To install the disc to the cartridge, align the label side of the disc **1** with the DVD-RAM cartridge label side. Insert the disc and close the cartridge lid **2**. You will hear a clicking sound when the lid closes.

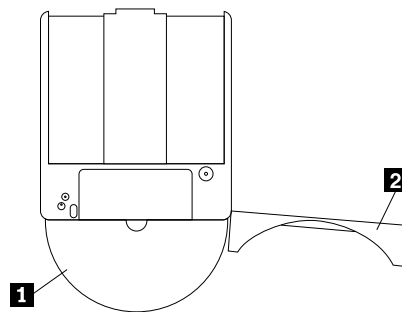


Figure 5. Installing the disc to the cartridge

---

## Chapter 4. Troubleshooting

This chapter provides troubleshooting hints and tips to assist you when you experience problems with your drive. You might also need to refer to the publications that come with your computer.

Review the following list for any problem descriptions that might fit your situation.

### **You cannot create a multi-session disc.**

Make sure that there is enough space left on the disc for another session. Writing a session requires lead-in and lead-out space (about 15 MB) in addition to the space to accommodate the data that is recorded.

### **You cannot read from the CD or DVD disc after successfully writing to it.**

Do the following:

1. Try the CD or DVD disc with another CD or DVD player. If you can read the CD or DVD disc in another CD or DVD player or you can see previous sessions, this indicates that the directory information might be damaged. Check the documentation that comes with the CD or DVD player.
2. You might have a damaged CD-R, CD-RW, DVD-R, DVD-RW, or DVD-RAM disc. Try a new disc or another brand of CD or DVD disc.
3. Avoid writing at a speed slower than 1x unless required by your computer.

### **The DVD playback cannot resume after your computer resumes from suspend mode.**

This is normal with some device drivers. The DVD playback will continue after you exit and restart the PowerDVD program.

### **DVD movies do not start automatically when inserted into the drive.**

You might have chosen to always start data discs in file only mode. Refer to the Microsoft® Windows® Help and Support program.

### **A message is displayed, indicating that there is a copy protection error, and playback stops when using the PowerDVD program.**

Do one of the following:

- If an external monitor is connected, ensure that the external monitor is connected to a digital video output connector on your computer, such as a High Definition Multimedia Interface (HDMI™), DisplayPort®, or Digital Visual Interface (DVI) connector.
- Ensure that your graphics card and the Protected Media Path are working correctly when you are using the drive on Windows operating systems.





---

## Appendix A. Service and Support

The following information describes the technical support that is available for your product, during the warranty period or throughout the life of your product. Refer to the Lenovo Limited Warranty for a full explanation of Lenovo warranty terms.

---

### Online technical support

Online technical support is available during the lifetime of a product at:  
<http://www.lenovo.com/support>

Product replacement assistance or exchange of defective components also is available during the warranty period. In addition, if your option is installed in a Lenovo computer, you might be entitled to service at your location. A Lenovo technical support representative can help you determine the best alternative.

---

### Telephone technical support

Installation and configuration support through the Customer Support Center will be available until 90 days after the option has been withdrawn from marketing. After that time, the support is canceled, or made available for a fee, at Lenovo's discretion. Additional support is also available for a nominal fee.

Before contacting a Lenovo technical support representative, please have the following information available: option name and number, proof of purchase, computer manufacturer, model, serial number and manual, the exact wording of any error message, description of the problem, and the hardware and software configuration information for your system.

Your technical support representative might want to walk you through the problem while you are at your computer during the call.

Telephone numbers are subject to change without notice. The most up-to-date telephone list for Lenovo Support is always available at <http://www.lenovo.com/support/phone>. If the telephone number for your country or region is not listed, contact your Lenovo reseller or Lenovo marketing representative.

---

### Accessibility information

#### Documentation in accessible formats

Lenovo provides electronic documentation in accessible formats, such as properly tagged PDF files or HyperText Markup Language (HTML) files. Lenovo electronic documentation is developed to ensure that visually impaired users can read the documentation through a screen reader. Each image in the documentation also includes adequate alternative text to explain the image so that visually impaired users can understand the image when they use a screen reader.

To open and view PDF files, your computer must have the Adobe Reader program installed. The Adobe Reader program also is available for download at:  
<http://www.adobe.com>



---

## Appendix B. Lenovo Limited Warranty

L505-0010-02 08/2011

This Lenovo Limited Warranty consists of the following parts:

**Part 1 - General Terms**

**Part 2 - Country-specific Terms**

**Part 3 - Warranty Service Information**

The terms of **Part 2** replace or modify terms of **Part 1** as specified for a particular country.

---

### Part 1 - General Terms

This Lenovo Limited Warranty applies only to Lenovo hardware products you purchased for your own use and not for resale. This Lenovo Limited Warranty is available in other languages at [www.lenovo.com/warranty](http://www.lenovo.com/warranty).

#### What this Warranty Covers

Lenovo warrants that each Lenovo hardware product that you purchase is free from defects in materials and workmanship under normal use during the warranty period. The warranty period for the product starts on the original date of purchase as shown on your sales receipt or invoice or as may be otherwise specified by Lenovo. The warranty period and type of warranty service that apply to your product are as specified in "**Part 3 - Warranty Service Information**" below. This warranty only applies to products in the country or region of purchase.

**THIS WARRANTY IS YOUR EXCLUSIVE WARRANTY AND REPLACES ALL OTHER WARRANTIES OR CONDITIONS, EXPRESS OR IMPLIED, INCLUDING, BUT NOT LIMITED TO, ANY IMPLIED WARRANTIES OR CONDITIONS OF MERCHANTABILITY OR FITNESS FOR A PARTICULAR PURPOSE. AS SOME STATES OR JURISDICTIONS DO NOT ALLOW THE EXCLUSION OF EXPRESS OR IMPLIED WARRANTIES, THE ABOVE EXCLUSION MAY NOT APPLY TO YOU. IN THAT EVENT, SUCH WARRANTIES APPLY ONLY TO THE EXTENT AND FOR SUCH DURATION AS REQUIRED BY LAW AND ARE LIMITED IN DURATION TO THE WARRANTY PERIOD. AS SOME STATES OR JURISDICTIONS DO NOT ALLOW LIMITATIONS ON THE DURATION OF AN IMPLIED WARRANTY, THE ABOVE LIMITATION ON DURATION MAY NOT APPLY TO YOU.**

#### How to Obtain Warranty Service

If the product does not function as warranted during the warranty period, you may obtain warranty service by contacting Lenovo or a Lenovo approved Service Provider. A list of approved Service Providers and their telephone numbers is available at: [www.lenovo.com/support/phone](http://www.lenovo.com/support/phone).

Warranty service may not be available in all locations and may differ from location to location. Charges may apply outside a Service Provider's normal service area. Contact a local Service Provider for information specific to your location.

#### Customer Responsibilities for Warranty Service

Before warranty service is provided, you must take the following steps:

- follow the service request procedures specified by the Service Provider;

- backup or secure all programs and data contained in the product;
- provide the Service Provider with all system keys or passwords;
- provide the Service Provider with sufficient, free, and safe access to your facilities to perform service;
- remove all data, including confidential information, proprietary information and personal information, from the product or, if you are unable to remove any such information, modify the information to prevent its access by another party or so that it is not personal data under applicable law. The Service Provider shall not be responsible for the loss or disclosure of any data, including confidential information, proprietary information, or personal information, on a product returned or accessed for warranty service;
- remove all features, parts, options, alterations, and attachments not covered by the warranty;
- ensure that the product or part is free of any legal restrictions that prevent its replacement;
- if you are not the owner of a product or part, obtain authorization from the owner for the Service Provider to provide warranty service.

### **What Your Service Provider Will Do to Correct Problems**

When you contact a Service Provider, you must follow the specified problem determination and resolution procedures.

The Service Provider will attempt to diagnose and resolve your problem by telephone, e-mail or remote assistance. The Service Provider may direct you to download and install designated software updates.

Some problems may be resolved with a replacement part that you install yourself called a “Customer Replaceable Unit” or “CRU.” If so, the Service Provider will ship the CRU to you for you to install.

If your problem cannot be resolved over the telephone; through the application of software updates or the installation of a CRU, the Service Provider will arrange for service under the type of warranty service designated for the product under “**Part 3 - Warranty Service Information**” below.

If the Service Provider determines that it is unable to repair your product, the Service Provider will replace it with one that is at least functionally equivalent.

If the Service Provider determines that it is unable to either repair or replace your product, your sole remedy under this Limited Warranty is to return the product to your place of purchase or to Lenovo for a refund of your purchase price.

### **Replacement Products and Parts**

When warranty service involves the replacement of a product or part, the replaced product or part becomes Lenovo’s property and the replacement product or part becomes your property. Only unaltered Lenovo products and parts are eligible for replacement. The replacement product or part provided by Lenovo may not be new, but it will be in good working order and at least functionally equivalent to the original product or part. The replacement product or part shall be warranted for the balance of the period remaining on the original product.

### **Use of Personal Contact Information**

If you obtain service under this warranty, you authorize Lenovo to store, use and process information about your warranty service and your contact information, including name, phone numbers, address, and e-mail address. Lenovo may use this information to perform service under this warranty. We may contact you to inquire about your satisfaction with our warranty service or to notify you about any product recalls or safety issues. In accomplishing these purposes, you authorize Lenovo to transfer your information to any country where we do business and to provide it to entities acting on our behalf. We may also disclose it where required by law. Lenovo’s privacy policy is available at [www.lenovo.com/](http://www.lenovo.com/).

### **What this Warranty Does not Cover**

This warranty does not cover the following:

- uninterrupted or error-free operation of a product;
- loss of, or damage to, your data by a product;
- any software programs, whether provided with the product or installed subsequently;
- failure or damage resulting from misuse, abuse, accident, modification, unsuitable physical or operating environment, natural disasters, power surges, improper maintenance, or use not in accordance with product information materials;
- damage caused by a non-authorized service provider;
- failure of, or damage caused by, any third party products, including those that Lenovo may provide or integrate into the Lenovo product at your request;
- any technical or other support, such as assistance with “how-to” questions and those regarding product set-up and installation;
- products or parts with an altered identification label or from which the identification label has been removed.

### **Limitation of Liability**

Lenovo is responsible for loss or damage to your product only while it is in the Service Provider’s possession or in transit, if the Service Provider is responsible for the transportation.

Neither Lenovo nor the Service Provider is responsible for loss or disclosure of any data, including confidential information, proprietary information, or personal information, contained in a product.

**UNDER NO CIRCUMSTANCES, AND NOTWITHSTANDING THE FAILURE OF ESSENTIAL PURPOSE OF ANY REMEDY SET FORTH HEREIN, SHALL LENOVO, ITS AFFILIATES, SUPPLIERS, RESELLERS, OR SERVICE PROVIDERS BE LIABLE FOR ANY OF THE FOLLOWING EVEN IF INFORMED OF THEIR POSSIBILITY AND REGARDLESS OF WHETHER THE CLAIM IS BASED IN CONTRACT, WARRANTY, NEGLIGENCE, STRICT LIABILITY OR OTHER THEORY OF LIABILITY: 1) THIRD PARTY CLAIMS AGAINST YOU FOR DAMAGES; 2) LOSS, DAMAGE OR DISCLOSURE OF YOUR DATA; 3) SPECIAL, INCIDENTAL, PUNITIVE, INDIRECT OR CONSEQUENTIAL DAMAGES, INCLUDING BUT NOT LIMITED TO LOST PROFITS, BUSINESS REVENUE, GOODWILL OR ANTICIPATED SAVINGS. IN NO CASE SHALL THE TOTAL LIABILITY OF LENOVO, ITS AFFILIATES, SUPPLIERS, RESELLERS OR SERVICE PROVIDERS FOR DAMAGES FROM ANY CAUSE EXCEED THE AMOUNT OF ACTUAL DIRECT DAMAGES, NOT TO EXCEED THE AMOUNT PAID FOR THE PRODUCT.**

**THE FOREGOING LIMITATIONS DO NOT APPLY TO DAMAGES FOR BODILY INJURY (INCLUDING DEATH), DAMAGE TO REAL PROPERTY OR DAMAGE TO TANGIBLE PERSONAL PROPERTY FOR WHICH LENOVO IS LIABLE UNDER LAW. AS SOME STATES OR JURISDICTIONS DO NOT ALLOW THE EXCLUSION OR LIMITATION OF INCIDENTAL OR CONSEQUENTIAL DAMAGES, THE ABOVE LIMITATION OR EXCLUSION MAY NOT APPLY TO YOU.**

### **Your Other Rights**

**THIS WARRANTY GIVES YOU SPECIFIC LEGAL RIGHTS. YOU MAY HAVE OTHER RIGHTS ACCORDING TO THE APPLICABLE LAWS OF YOUR STATE OR JURISDICTION. YOU MAY ALSO HAVE OTHER RIGHTS UNDER A WRITTEN AGREEMENT WITH LENOVO. NOTHING IN THIS WARRANTY AFFECTS STATUTORY RIGHTS, INCLUDING RIGHTS OF CONSUMERS UNDER LAWS OR REGULATIONS GOVERNING THE SALE OF CONSUMER GOODS THAT CANNOT BE WAIVED OR LIMITED BY CONTRACT.**

---

## **Part 2 - Country-specific Terms**

### **Australia**

“Lenovo” means Lenovo (Australia & New Zealand) Pty Limited ABN 70 112 394 411. Address: Level 10, North Tower, 1-5 Railway Street, Chatswood, NSW, 2067. Telephone: +61 2 8003 8200. Email: lenosyd\_au@lenovo.com

*The following replaces the same section in Part 1:*

### **What this Warranty Covers:**

Lenovo warrants that each hardware product that you purchase is free from defects in materials and workmanship under normal use and conditions during the warranty period. If the product fails due to a covered defect during the warranty period, Lenovo will provide you a remedy under this Limited Warranty. The warranty period for the product starts on the original date of purchase specified on your sales receipt or invoice unless Lenovo informs you otherwise in writing. The warranty period and type of warranty service that apply to your product are set forth below in **Part 3 - Warranty Service Information**.

**THE BENEFITS GIVEN BY THIS WARRANTY ARE IN ADDITION TO YOUR RIGHTS AND REMEDIES AT LAW, INCLUDING THOSE UNDER THE AUSTRALIAN CONSUMER LAW.**

*The following replaces the same section in Part 1:*

### **Replacement Products and Parts:**

When warranty service involves the replacement of a product or part, the replaced product or part becomes Lenovo’s property and the replacement product or part becomes your property. Only unaltered Lenovo products and parts are eligible for replacement. The replacement product or part provided by Lenovo may not be new, but it will be in good working order and at least functionally equivalent to the original product or part. The replacement product or part shall be warranted for the balance of the period remaining on the original product. Products and parts presented for repair may be replaced by refurbished products or parts of the same type rather than being repaired. Refurbished parts may be used to repair the product; and repair of the product may result in loss of data, if the product is capable of retaining user-generated data.

*The following is added to the same section in Part 1:*

### **Use of Personal Contact Information:**

Lenovo will not be able to perform our service under this warranty if you refuse to provide your information or do not wish us to transfer your information to our agent or contractor. You have the right to access your personal contact information and request correction of any errors in it pursuant to the Privacy Act 1988 by contacting Lenovo.

*The following replaces the same section in Part 1:*

### **Limitation of Liability:**

Lenovo is responsible for loss or damage to your product only while it is in the Service Provider’s possession or in transit, if the Service Provider is responsible for the transportation.

Neither Lenovo nor the Service Provider is responsible for loss or disclosure of any data, including confidential information, proprietary information, or personal information, contained in a product.

**TO THE EXTENT PERMITTED BY LAW, UNDER NO CIRCUMSTANCES AND NOTWITHSTANDING THE FAILURE OF ESSENTIAL PURPOSE OF ANY REMEDY SET FORTH HEREIN, SHALL LENOVO, ITS AFFILIATES, SUPPLIERS, RESELLERS, OR SERVICE PROVIDERS BE LIABLE FOR ANY OF THE FOLLOWING EVEN IF INFORMED OF THEIR POSSIBILITY AND REGARDLESS OF WHETHER THE CLAIM IS BASED IN CONTRACT, WARRANTY, NEGLIGENCE, STRICT LIABILITY OR OTHER THEORY**

**OF LIABILITY: 1) THIRD PARTY CLAIMS AGAINST YOU FOR DAMAGES; 2) LOSS, DAMAGE OR DISCLOSURE OF YOUR DATA; 3) SPECIAL, INCIDENTAL, PUNITIVE, INDIRECT OR CONSEQUENTIAL DAMAGES, INCLUDING BUT NOT LIMITED TO LOST PROFITS, BUSINESS REVENUE, GOODWILL OR ANTICIPATED SAVINGS. IN NO CASE SHALL THE TOTAL LIABILITY OF LENOVO, ITS AFFILIATES, SUPPLIERS, RESELLERS OR SERVICE PROVIDERS FOR DAMAGES FROM ANY CAUSE EXCEED THE AMOUNT OF ACTUAL DIRECT DAMAGES, NOT TO EXCEED THE AMOUNT PAID FOR THE PRODUCT.**

**THE FOREGOING LIMITATIONS DO NOT APPLY TO DAMAGES FOR BODILY INJURY (INCLUDING DEATH), DAMAGE TO REAL PROPERTY OR DAMAGE TO TANGIBLE PERSONAL PROPERTY FOR WHICH LENOVO IS LIABLE UNDER LAW.**

*The following replaces the same section in Part 1:*

**Your Other Rights:**

**THIS WARRANTY GIVES YOU SPECIFIC LEGAL RIGHTS. YOU ALSO HAVE OTHER RIGHTS AT LAW, INCLUDING UNDER THE AUSTRALIAN CONSUMER LAW. NOTHING IN THIS WARRANTY AFFECTS STATUTORY RIGHTS OR RIGHTS AT LAW, INCLUDING RIGHTS THAT CANNOT BE WAIVED OR LIMITED BY CONTRACT.**

For example, our products come with guarantees that cannot be excluded under the Australian Consumer Law. You are entitled to a replacement or refund for a major failure and compensation for any other reasonably foreseeable loss or damage. You are also entitled to have the products repaired or replaced if the products fail to be of acceptable quality and the failure does not amount to a major failure.

**New Zealand**

*The following is added to the same section in Part 1:*

**Use of Personal Information:**

Lenovo will not be able to perform our service under this warranty if you refuse to provide your information or do not wish us to transfer your information to our agent or contractor. You have the right to access your personal information and request correction of any errors in it pursuant to the Privacy Act 1993 by contacting Lenovo (Australia & New Zealand) Pty Limited ABN 70 112 394 411. Address: Level 10, North Tower, 1-5 Railway Street, Chatswood, NSW, 2067. Telephone: 61 2 8003 8200. Email: lensyd\_au@lenovo.com

**Bangladesh, Cambodia, India, Indonesia, Nepal, Philippines, Vietnam and Sri Lanka**

*The following is added to Part 1:*

**Dispute Resolution**

Disputes arising out of or in connection with this warranty shall be finally settled by arbitration held in Singapore. This warranty shall be governed, construed and enforced in accordance with the laws of Singapore, without regard to conflict of laws. If you acquired the product in **India**, disputes arising out of or in connection with this warranty shall be finally settled by arbitration held in Bangalore, India. Arbitration in Singapore shall be held in accordance with the Arbitration Rules of Singapore International Arbitration Center ("SIAC Rules") then in effect. Arbitration in India shall be held in accordance with the laws of India then in effect. The arbitration award shall be final and binding on the parties without appeal. Any award shall be in writing and set forth the findings of fact and the conclusions of law. All arbitration proceedings, including all documents presented in such proceedings shall be conducted in the English language. The English language version of this warranty prevails over any other language version in such proceedings.

**European Economic Area (EEA)**

The following is added to Part 1:

Customers in the EEA may contact Lenovo at the following address: EMEA Service Organisation, Lenovo (International) B.V., Floor 2, Einsteinova 21, 851 01, Bratislava, Slovakia. Service under this warranty for Lenovo hardware products purchased in EEA countries may be obtained in any EEA country in which the product has been announced and made available by Lenovo.

## Russia

The following is added to Part 1:

### Product Service Life

The product service life is four (4) years from the original date of purchase.

---

## Part 3 - Warranty Service Information

Product Type	Country or Region of Purchase	Warranty Period	Type of Warranty Service
ThinkPad Optical Disk Drive	Worldwide	1 year	1, 4

If required, your Service Provider will provide repair or exchange service depending on the type of warranty service specified for your product and the available service. Scheduling of service will depend upon the time of your call, parts availability, and other factors.

### Types of Warranty Service

#### 1. Customer Replaceable Unit (“CRU”) Service

Under CRU Service, the Service Provider will ship CRUs to you at its cost for installation by you. CRU information and replacement instructions are shipped with your product and are available from Lenovo at any time upon request. CRUs that are easily installed by you are called “Self-service CRUs”. “Optional-service CRUs” are CRUs that may require some technical skill and tools. Installation of Self-service CRUs is your responsibility. You may request that a Service Provider install Optional-service CRUs under one of the other types of warranty service designated for your product. An optional service offering may be available for purchase from a Service Provider or Lenovo under which Self-service CRUs would be installed for you. You may find a list of CRUs and their designation in the publication that was shipped with your product or at [www.lenovo.com/CRUs](http://www.lenovo.com/CRUs). The requirement to return a defective CRU, if any, will be specified in the instructions shipped with a replacement CRU. When return is required: 1) return instructions, a prepaid return shipping label, and a container will be included with the replacement CRU; and 2) you may be charged for the replacement CRU if the Service Provider does not receive the defective CRU from you within thirty (30) days of your receipt of the replacement CRU.

#### 2. On-site Service

Under On-Site Service, a Service Provider will either repair or exchange the product at your location. You must provide a suitable working area to allow disassembly and reassembly of the product. Some repairs may need to be completed at a service center. If so, the Service Provider will send the product to the service center at its expense.

#### 3. Courier or Depot Service

Under Courier or Depot Service, your product will be repaired or exchanged at a designated service center, with shipping at the expense of the Service Provider. You are responsible for disconnecting the product and



packing it in a shipping container provided to you to return your product to a designated service center. A courier will pick up your product and deliver it to the designated service center. The service center will return the product to you at its expense.

#### **4. Customer Carry-In Service**

Under Customer Carry-In Service, your product will be repaired or exchanged after you deliver it to a designated service center at your risk and expense. After the product has been repaired or exchanged, it will be made available to you for collection. If you fail to collect the product, the Service Provider may dispose of the product as it sees fit, with no liability to you.

#### **5. Mail-In Service**

Under Mail-In Service, your product will be repaired or exchanged at a designated service center after you deliver it at your risk and expense. After the product has been repaired or exchanged, it will be returned to you at Lenovo's risk and expense, unless the Service Provider specifies otherwise.

#### **6. Customer Two-Way Mail-In Service**

Under Customer Two-Way Mail-In Service, your product will be repaired or exchanged after you deliver it to a designated service center at your risk and expense. After the product has been repaired or exchanged, it will be made available to you for return shipping at your risk and expense. If you fail to arrange return shipment, the Service Provider may dispose of the product as it sees fit, with no liability to you.

#### **7. Product Exchange Service**

Under Product Exchange Service, Lenovo will ship a replacement product to your location. You are responsible for its installation and verification of its operation. The replacement product becomes your property in exchange for the failed product, which becomes the property of Lenovo. You must pack the failed product in the shipping carton in which you received the replacement product and return it to Lenovo. Transportation charges, both ways, shall be at Lenovo's expense. If you fail to use the carton in which the replacement product was received, you may be responsible for any damage to the failed product occurring during shipment. You may be charged for the replacement product if Lenovo does not receive the failed product within thirty (30) days of your receipt of the replacement product.

---

## **Suplemento de Garantía para México**

Este Suplemento de Garantía se considera parte integrante de la Garantía Limitada de Lenovo y será efectivo única y exclusivamente para los productos distribuidos y comercializados dentro del Territorio de los Estados Unidos Mexicanos. En caso de conflicto, se aplicarán los términos de este Suplemento.

El comercializador responsable del producto es Lenovo México S de R L de CV y para efectos de esta garantía en la República Mexicana su domicilio es Paseo de Tamarindos No.400-A Piso 27 Arcos Torre Poniente, Bosques de Las Lomas, Delegación Miguel Hidalgo, C.P. 05120 México, D.F. En el caso de que se precise una reparación cubierta por la garantía o precise de partes, componentes, consumibles o accesorios diríjase a este domicilio.

Si no existiese ningún Centro de servicio autorizado en su ciudad, población o en un radio de 70 kilómetros de su ciudad o población, la garantía incluirá cualquier gasto de entrega razonable relacionado con el transporte del producto a su Centro de servicio autorizado más cercano. Por favor, llame al Centro de servicio autorizado más cercano para obtener las aprobaciones necesarias o la información relacionada con el envío del producto y la dirección de envío.

Esta garantía ampara todas las piezas de hardware del producto e incluye mano de obra.

El procedimiento para hacer efectiva la garantía consiste en la presentación del producto, acompañado de la póliza correspondiente, debidamente sellada por el establecimiento que lo vendió, o la factura, o recibo o comprobante, en el que consten los datos específicos del producto objeto de la compraventa.

Lenovo sólo pueden eximirse de hacer efectiva la garantía en los siguientes casos: a) Cuando el producto se hubiese utilizado en condiciones distintas a las normales. b) Cuando el producto no hubiese sido operado de acuerdo con el instructivo de uso que se le acompaña. c) Cuando el producto hubiese sido alterado o reparado por personas no autorizadas por el fabricante nacional, importador o comercializador responsable respectivo.

Todos los programas de software precargados en el equipo sólo tendrán una garantía de noventa (90) días por defectos de instalación desde la fecha de compra. Lenovo no es responsable de la información incluida en dichos programas de software y /o cualquier programa de software adicional instalado por Usted o instalado después de la compra del producto.

La garantía cubre la atención, revisión y corrección de errores, defectos o inconsistencias que impidan el desempeño normal de un equipo de cómputo en cuanto a su hardware y software. Los servicios no cubiertos por la garantía se cargarán al usuario final, previa obtención de una autorización.

Esta garantía tiene una duración de un año a partir del momento de la compra e incluye la mano de obra, por lo que en caso de aplicarse la garantía, esta no causara ningún gasto o costo para el cliente.

Centros de Servicios autorizados para hacer efectiva la garantía:

- Lenovo México con domicilio en Paseo de Tamarindos No.400-A Piso 27 Arcos, Torre Poniente, Bosques de Las Lomas, Delegación Miguel Hidalgo, C.P. 05120 México, D.F. Teléfono 01800- 083-4916, [http://support.lenovo.com/es\\_MX/product-service/service-provider/default.page](http://support.lenovo.com/es_MX/product-service/service-provider/default.page)
- Lenovo Monterrey con domicilio en Boulevard Escobedo No.316, Apodaca Technology Park, Apodaca, C.P. 66601, Nuevo León, México. Teléfono 01800- 083-4916, [http://support.lenovo.com/es\\_MX/product-service/service-provider/default.page](http://support.lenovo.com/es_MX/product-service/service-provider/default.page)

**Importado por:**

**Lenovo México S. de R.L. de C.V.**

**Av. Santa Fe 505, Piso 15**

**Col. Cruz Manca**

**Cuajimalpa, D.F., México**

**C.P. 05349**

**Tel. (55) 5000 8500**

---

## Appendix C. Electronic emission notices

The following information refers to the ThinkPad Optical Disk Drive.

**ThinkPad DVD Burner Ultrabay Enhanced Drive - 0A65625**

**ThinkPad DVD Burner Ultrabay Slim Drive II - 0A65626**

**ThinkPad DVD-ROM Ultrabay Slim Drive II - 0A65628**

### **European Union - Compliance to the Electromagnetic Compatibility Directive**

This product is in conformity with the protection requirements of EU Council Directive 2004/108/EC on the approximation of the laws of the Member States relating to electromagnetic compatibility. Lenovo cannot accept responsibility for any failure to satisfy the protection requirements resulting from a non-recommended modification of the product, including the installation of option cards from other manufacturers.

This product has been tested and found to comply with the limits for Class B Information Technology Equipment according to European Standard EN 55022. The limits for Class B equipment were derived for typical residential environments to provide reasonable protection against interference with licensed communication devices.

Lenovo, Einsteinova 21, 851 01 Bratislava, Slovakia



### **German Class B compliance statement**

#### **Deutschsprachiger EU Hinweis:**

#### **Hinweis für Geräte der Klasse B EU-Richtlinie zur Elektromagnetischen Verträglichkeit**

Dieses Produkt entspricht den Schutzanforderungen der EU-Richtlinie 2004/108/EG (früher 89/336/EWG) zur Angleichung der Rechtsvorschriften über die elektromagnetische Verträglichkeit in den EU-Mitgliedsstaaten und hält die Grenzwerte der EN 55022 Klasse B ein.

Um dieses sicherzustellen, sind die Geräte wie in den Handbüchern beschrieben zu installieren und zu betreiben. Des Weiteren dürfen auch nur von der Lenovo empfohlene Kabel angeschlossen werden. Lenovo übernimmt keine Verantwortung für die Einhaltung der Schutzanforderungen, wenn das Produkt ohne Zustimmung der Lenovo verändert bzw. wenn Erweiterungskomponenten von Fremdherstellern ohne Empfehlung der Lenovo gesteckt/eingebaut werden.

#### **Deutschland:**

#### **Einhaltung des Gesetzes über die elektromagnetische Verträglichkeit von Betriebsmitteln**

Dieses Produkt entspricht dem „Gesetz über die elektromagnetische Verträglichkeit von Betriebsmitteln“ EMVG (früher „Gesetz über die elektromagnetische Verträglichkeit von Geräten“). Dies ist die Umsetzung der EU-Richtlinie 2004/108/EG (früher 89/336/EWG) in der Bundesrepublik Deutschland.

#### **Zulassungsbescheinigung laut dem Deutschen Gesetz über die elektromagnetische Verträglichkeit von Betriebsmitteln, EMVG vom 20. Juli 2007 (früher Gesetz über die elektromagnetische**

**Verträglichkeit von Geräten), bzw. der EMV EG Richtlinie 2004/108/EC (früher 89/336/EWG), für Geräte der Klasse B.**

Dieses Gerät ist berechtigt, in Übereinstimmung mit dem Deutschen EMVG das EG-Konformitätszeichen - CE - zu führen. Verantwortlich für die Konformitätserklärung nach Paragraf 5 des EMVG ist die Lenovo (Deutschland) GmbH, Gropiusplatz 10, D-70563 Stuttgart.

Informationen in Hinsicht EMVG Paragraf 4 Abs. (1) 4:

**Das Gerät erfüllt die Schutzanforderungen nach EN 55024 und EN 55022 Klasse B.**

**Korea Class B compliance statement**

<b>B급 기기 (가정용 방송통신기자재)</b>
이 기기는 가정용(B급) 전자파적합기기로서 주로 가정에서 사용하는 것을 목적으로 하며, 모든 지역에서 사용할 수 있습니다.

**Lenovo product service information for Taiwan**

台灣 Lenovo 產品服務資訊如下：  
荷蘭商聯想股份有限公司台灣分公司  
台北市內湖區堤頂大道二段89號5樓  
服務電話：0800-000-702

---

## Appendix D. Notices

Lenovo may not offer the products, services, or features discussed in this document in all countries. Consult your local Lenovo representative for information on the products and services currently available in your area. Any reference to a Lenovo product, program, or service is not intended to state or imply that only that Lenovo product, program, or service may be used. Any functionally equivalent product, program, or service that does not infringe any Lenovo intellectual property right may be used instead. However, it is the user's responsibility to evaluate and verify the operation of any other product, program, or service.

Lenovo may have patents or pending patent applications covering subject matter described in this document. The furnishing of this document does not give you any license to these patents. You can send license inquiries, in writing, to:

*Lenovo (United States), Inc.  
1009 Think Place - Building One  
Morrisville, NC 27560  
U.S.A.  
Attention: Lenovo Director of Licensing*

LENOVO PROVIDES THIS PUBLICATION "AS IS" WITHOUT WARRANTY OF ANY KIND, EITHER EXPRESS OR IMPLIED, INCLUDING, BUT NOT LIMITED TO, THE IMPLIED WARRANTIES OF NON-INFRINGEMENT, MERCHANTABILITY OR FITNESS FOR A PARTICULAR PURPOSE. Some jurisdictions do not allow disclaimer of express or implied warranties in certain transactions, therefore, this statement may not apply to you.

This information could include technical inaccuracies or typographical errors. Changes are periodically made to the information herein; these changes will be incorporated in new editions of the publication. Lenovo may make improvements and/or changes in the product(s) and/or the program(s) described in this publication at any time without notice.

---

## Trademarks

Lenovo, ThinkPad, and Ultrabay are trademarks of Lenovo in the United States, other countries, or both.

Microsoft and Windows are trademarks of the Microsoft group of companies.

DisplayPort is a trademark of the Video Electronics Standards Association.

The terms HDMI and HDMI High-Definition Multimedia Interface are trademarks or registered trademarks of HDMI Licensing LLC in the United States and other countries.

Other company, product, or service names may be trademarks or service marks of others.

---

## Recycling information

Lenovo encourages owners of information technology (IT) equipment to responsibly recycle their equipment when it is no longer needed. Lenovo offers a variety of programs and services to assist equipment owners in recycling their IT products. For information on recycling Lenovo products, go to:  
<http://www.lenovo.com/recycling>

Recycling and disposal information for Japan is available at:  
<http://www.lenovo.com/recycling/japan>

---

## Recycling information for China

### 《废弃电器电子产品回收处理管理条例》提示性说明

联想鼓励拥有联想品牌产品的用户当不再需要此类产品时，遵守国家废弃电器电子产品回收处理相关法律法规，将其交给当地具有国家认可的回收处理资质的厂商进行回收处理。更多回收服务信息，请点击进入 <http://support.lenovo.com.cn/activity/551.htm>

---

## Recycling information for Brazil

### Declarações de Reciclagem no Brasil

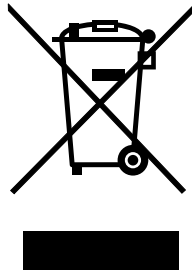
#### Descarte de um Produto Lenovo Fora de Uso

Equipamentos elétricos e eletrônicos não devem ser descartados em lixo comum, mas enviados à pontos de coleta, autorizados pelo fabricante do produto para que sejam encaminhados e processados por empresas especializadas no manuseio de resíduos industriais, devidamente certificadas pelos órgãos ambientais, de acordo com a legislação local.

A Lenovo possui um canal específico para auxiliá-lo no descarte desses produtos. Caso você possua um produto Lenovo em situação de descarte, ligue para o nosso SAC ou encaminhe um e-mail para: [reciclar@lenovo.com](mailto:reciclar@lenovo.com), informando o modelo, número de série e cidade, a fim de enviarmos as instruções para o correto descarte do seu produto Lenovo.

---

## Important WEEE information



The WEEE marking on Lenovo products applies to countries with WEEE and e-waste regulations (for example, the European WEEE Directive, India E-Waste Management & Handling Rules, 2011). Appliances are labeled in accordance with local regulations concerning waste electrical and electronic equipment (WEEE). These regulations determine the framework for the return and recycling of used appliances as applicable within each geography. This label is applied to various products to indicate that the product is not to be thrown away, but rather put in the established collection systems for reclaiming these end of life products.

Users of electrical and electronic equipment (EEE) with the WEEE marking must not dispose of end of life EEE as unsorted municipal waste, but use the collection framework available to them for the return, recycle, and recovery of WEEE and to minimize any potential effects of EEE on the environment and human health due to the presence of hazardous substances. For additional WEEE information go to: <http://www.lenovo.com/recycling>

---

## **Export Classification Notice**

This product is subject to the United States Export Administration regulations (EAR) and has an Export Classification Control Number (ECCN) of EAR99. It can be re-exported except to any of the embargoed countries in the EAR E1 country list.





---

## Appendix E. Restriction of Hazardous Substances Directive (RoHS)

---

### European Union RoHS

Lenovo products sold in the European Union, on or after 3 January 2013 meet the requirements of Directive 2011/65/EU on the restriction of the use of certain hazardous substances in electrical and electronic equipment (“RoHS recast” or “RoHS 2”).

For more information about Lenovo progress on RoHS, go to:  
[http://www.lenovo.com/social\\_responsibility/us/en/RoHS\\_Communication.pdf](http://www.lenovo.com/social_responsibility/us/en/RoHS_Communication.pdf)

---


### China RoHS

为满足中国电子电气产品有害物质限制相关的法律法规和其他要求，联想公司对本产品中有害物质，按部件分类，声明如下。

部件名称	有害物质					
	铅 (Pb)	汞 (Hg)	镉 (Cd)	六价铬 (Cr (VI))	多溴联苯 (PBB)	多溴二苯醚 (PBDE)
印刷电路板组件*	X	O	O	O	O	O
外壳及配件	X	O	O	O	O	O

本表格依据SJ/T 11364的规定编制。  
O：表示该有害物质在该部件所有均质材料中的含量均在GB/T 26572规定的限量要求以下。  
X：表示该有害物质至少在该部件的某一均质材料中的含量超出GB/T 26572规定的限量要求。  
表中标记“X”的部件，皆因全球技术发展水平限制而无法实现有害物质的替代。

印刷电路板组件\*：包括印刷电路板及其零部件，电子元器件等  
根据产品型号不同，您所购买的产品可能不会含有以上所有部件

 在中华人民共和国境内销售的电子电气产品上将印有“环保使用期”(EUP)符号。圆圈中的数字代表产品的正常环保使用年限。

---

### Turkish RoHS

The Lenovo product meets the requirements of the Republic of Turkey Directive on the Restriction of the Use of Certain Hazardous Substances in Waste Electrical and Electronic Equipment (WEEE).

#### Türkiye AEEE Yönetmeliğine Uygunluk Beyanı

Bu Lenovo ürünü, T.C. Çevre ve Orman Bakanlığı'nın “Atık Elektrik ve Elektronik Eşyalarda Bazı Zararlı Maddelerin Kullanımının Sınırlandırılmasına Dair Yönetmelik (AEEE)” direktiflerine uygundur.

AEEE Yönetmeliğine Uygundur.

---

### Ukraine RoHS

Цим підтверджуємо, що продукція Леново відповідає вимогам нормативних актів України, які обмежують вміст небезпечних речовин

---

## **India RoHS**

RoHS compliant as per E-Waste (Management & Handling) Rules, 2011.



**lenovo**®

Part Number: 0A37435

Printed in China

(1P) P/N: 0A37435

