

ThinkPad X1 Yoga

Hardware Maintenance Manual



Machine Types: 20JD, 20JE, 20JF, and 20JG

Note: Before using this information and the product it supports, be sure to read the general information under Appendix A “Notices” on page 91.

Third Edition (June 2017)

© Copyright Lenovo 2017.

LIMITED AND RESTRICTED RIGHTS NOTICE: If data or software is delivered pursuant a General Services Administration “GSA” contract, use, reproduction, or disclosure is subject to restrictions set forth in Contract No. GS-35F-05925.

Contents

About this manual	iii	Supervisor password	31
Chapter 1. Safety information	1	How to remove the power-on password	32
General safety	1	How to remove the hard disk password	32
Electrical safety	1	Power management	33
Safety inspection guide	2	Sleep mode	33
Handling devices that are sensitive to electrostatic discharge	3	Hibernation mode	33
Grounding requirements	4	Symptom-to-FRU index	34
Safety notices (multilingual translations)	4	Numeric error codes	34
		Error messages	35
		Beep symptoms	35
		No-beep symptoms	37
		LCD-related symptoms	37
		Intermittent problems	37
		Undetermined problems	38
Chapter 2. Important service information	19	Chapter 5. YOGA Modes	39
Strategy for replacing FRUs	19	Chapter 6. Locations	41
Strategy for replacing an M.2 solid-state drive	19	Locating computer controls, connectors, and indicators	41
Important notice for replacing a system board	20	Front view	41
How to use error message	20	Left-side view	42
Strategy for replacing FRUs for CTO, special-bid, and standard models	20	Right-side view	42
Product definition	20	Rear view	42
FRU identification	20	Bottom view	43
		Status indicators	43
Chapter 3. General checkout	23	Locating FRUs and CRUs	44
What to do first	23	Major FRUs	46
Checkout guide	24	LCD FRUs	48
Lenovo Companion	24	Miscellaneous parts and other FRUs	49
Quick test programs	24	Connector and cable guide	50
UEFI diagnostic program	25	Looking up FRU information	53
Bootable diagnostic programs	25	Chapter 7. FRU replacement notices	55
Power system checkout	26	Common service tools	55
Checking the ac power adapter	26	Screw notices	55
Checking the battery and operational charging	26	Retaining serial numbers	56
Checking the coin-cell battery	27	Restoring the serial number of the system unit	56
		Retaining the UUID	57
		Reading or writing the ECA information	58
Chapter 4. Related service information	29	Chapter 8. Removing or replacing a FRU	59
Recovery information	29	General guidelines	59
Resetting your computer	29	Before servicing the computer	60
Using advanced startup options	29		
Recovering your operating system if Windows 10 fails to start	29		
Creating and using a recovery USB drive	30		
Passwords	31		
Power-on password	31		
Hard disk password	31		

Removing external devices	60	1120 NFC module, NFC cable, and NFC antenna	73
Disabling the built-in battery	60	1130 Pen charger	73
Removing the micro SIM card	60	1140 System board assembly	74
Removing ThinkPad Pen Pro	60	1150 LCD unit	77
Removing a major FRU	61	Removing an LCD FRU	78
1010 Base cover assembly	61	2010 Stripe cover	78
1020 M.2 SSD	62	2020 LCD panel assembly and LCD cable	79
1030 WLAN card	63	2030 Camera/microphone card and sensor card	82
1040 WWAN card	64	2040 Hinges	84
1050 Coin-cell battery	65	2050 WiGig cable and antenna kit	85
1060 Thermal fan assembly	66	2060 LED cable assembly	88
1070 Speaker assembly	67		
1080 Battery	68	Appendix A. Notices	91
1090 Power button card and power-button-card cable	69	Electronic emissions notices	92
1100 Fingerprint reader assembly and fingerprint reader cable	70	Trademarks	92
1110 Trackpad cable, trackpad support bracket, and trackpad assembly	72		

About this manual

This manual contains service and reference information for the following ThinkPad® products.

ThinkPad X1 Yoga

Machine types (MT): 20JD, 20JE, 20JF, and 20JG

Use this manual along with the advanced diagnostic tests to troubleshoot problems.

Important: This manual is intended only for trained service technicians who are familiar with ThinkPad products. Use this manual along with the advanced diagnostic tests to troubleshoot problems effectively. Before servicing a ThinkPad product, be sure to read all the information under Chapter 1 “Safety information” on page 1 and Chapter 2 “Important service information” on page 19.

Chapter 1. Safety information

This chapter presents following safety information that you must be familiar with before you service a ThinkPad notebook computer.

- “General safety” on page 1
- “Electrical safety” on page 1
- “Safety inspection guide” on page 2
- “Handling devices that are sensitive to electrostatic discharge” on page 3
- “Grounding requirements” on page 4
- “Safety notices (multilingual translations)” on page 4

General safety

Follow these rules to ensure general safety:

- Observe good housekeeping in the area of the machines during and after maintenance.
- When lifting any heavy object:
 1. Make sure that you can stand safely without slipping.
 2. Distribute the weight of the object equally between your feet.
 3. Use a slow lifting force. Never move suddenly or twist when you attempt to lift.
 4. Lift by standing or by pushing up with your leg muscles; this action removes the strain from the muscles in your back. *Do not attempt to lift any object that weighs more than 16 kg (35 lb) or that you think is too heavy for you.*
- Do not perform any action that causes hazards to the customer, or that makes the equipment unsafe.
- Before you start the machine, make sure that other service technicians and the customer's personnel are not in a hazardous position.
- Place removed covers and other parts in a safe place, away from all personnel, while you are servicing the machine.
- Keep your toolcase away from walk areas so that other people will not trip over it.
- Do not wear loose clothing that can be trapped in the moving parts of a machine. Make sure that your sleeves are fastened or rolled up above your elbows. If your hair is long, fasten it.
- Insert the ends of your necktie or scarf inside clothing or fasten it with a nonconductive clip, about 8 centimeters (3 inches) from the end.
- Do not wear jewelry, chains, metal-frame eyeglasses, or metal fasteners for your clothing.

Attention: Metal objects are good electrical conductors.

- Wear safety glasses when you are hammering, drilling, soldering, cutting wire, attaching springs, using solvents, or working in any other conditions that might be hazardous to your eyes.
- After service, reinstall all safety shields, guards, labels, and ground wires. Replace any safety device that is worn or defective.
- Reinstall all covers correctly before returning the machine to the customer.
- Fan louvers on the machine help to prevent overheating of internal components. Do not obstruct fan louvers or cover them with labels or stickers.

Electrical safety

Observe the following rules when working on electrical equipment.

Important: Use only approved tools and test equipment. Some hand tools have handles covered with a soft material that does not insulate you when working with live electrical currents. Many customers have, near their equipment, rubber floor mats that contain small conductive fibers to decrease electrostatic discharges. Do not use this type of mat to protect yourself from electrical shock.

- Find the room emergency power-off (EPO) switch, disconnecting switch, or electrical outlet. If an electrical accident occurs, you can then operate the switch or unplug the power cord quickly.
- Do not work alone under hazardous conditions or near equipment that has hazardous voltages.
- Disconnect all power before:
 - Performing a mechanical inspection
 - Working near power supplies
 - Removing or installing main units
- Before you start to work on the machine, unplug the power cord. If you cannot unplug it, ask the customer to power-off the wall box that supplies power to the machine, and to lock the wall box in the off position.
- If you have to work on a machine that has *exposed* electrical circuits, observe the following precautions:
 - Ensure that another person, familiar with the power-off controls, is near you.

Attention: Another person must be there to switch off the power, if necessary.

- Use only one hand when working with powered-on electrical equipment; keep the other hand in your pocket or behind your back.

Attention: An electrical shock can occur only when there is a complete circuit. By observing the above rule, you may prevent a current from passing through your body.

- When using testers, set the controls correctly and use the approved probe leads and accessories for that tester.
- Stand on suitable rubber mats (obtained locally, if necessary) to insulate you from grounds such as metal floor strips and machine frames.

Observe the special safety precautions when you work with very high voltages; Instructions for these precautions are in the safety sections of maintenance information. Use extreme care when measuring high voltages.

- Regularly inspect and maintain your electrical hand tools for safe operational condition.
- Do not use worn or broken tools and testers.
- *Never assume* that power has been disconnected from a circuit. First, *check* that it has been powered off.
- Always look carefully for possible hazards in your work area. Examples of these hazards are moist floors, nongrounded power extension cables, power surges, and missing safety grounds.
- Do not touch live electrical circuits with the reflective surface of a plastic dental mirror. The surface is conductive; such touching can cause personal injury and machine damage.
- Do not service the following parts *with the power on* when they are removed from their normal operating places in a machine:
 - Power supply units
 - Pumps
 - Blowers and fans
 - Motor generators
 - Similar units as listed above
 This practice ensures correct grounding of the units.
- If an electrical accident occurs:
 - Use caution; do not become a victim yourself.
 - Switch off power.
 - Send another person to get medical aid.

Safety inspection guide

The purpose of this inspection guide is to assist you in identifying potentially unsafe conditions. As each machine was designed and built, required safety items were installed to protect users and service technicians from injury. This guide addresses only those items. You should use good judgment to identify potential safety hazards due to attachment of non-ThinkPad features or options not covered by this inspection guide.

If any unsafe conditions are present, you must determine how serious the apparent hazard could be and whether you can continue without first correcting the problem.

Consider these conditions and the safety hazards they present:

- Electrical hazards, especially primary power (primary voltage on the frame can cause serious or fatal electrical shock)
- Explosive hazards, such as a damaged CRT face or a bulging capacitor
- Mechanical hazards, such as loose or missing hardware

To determine whether there are any potentially unsafe conditions, use the following checklist at the beginning of every service task. Begin the checks with the power off, and the power cord disconnected.

Checklist:

1. Check exterior covers for damage (loose, broken, or sharp edges).
2. Power off the computer. Disconnect the power cord.
3. Check the power cord for:
 - a. A third-wire ground connector in good condition. Use a meter to measure third-wire ground continuity for 0.1 ohm or less between the external ground pin and the frame ground.
 - b. The power cord should be the authorized type specified for your computer. Go to: <http://www.lenovo.com/serviceparts-lookup>
 - c. Insulation must not be frayed or worn.
4. Check for cracked or bulging batteries.
5. Remove the cover.
6. Check for any obvious non-ThinkPad alterations. Use good judgment as to the safety of any non-ThinkPad alterations.
7. Check inside the unit for any obvious unsafe conditions, such as metal filings, contamination, water or other liquids, or signs of fire or smoke damage.
8. Check for worn, frayed, or pinched cables.
9. Check that the power-supply cover fasteners (screws or rivets) have not been removed or tampered with.

Handling devices that are sensitive to electrostatic discharge

Any computer part containing transistors or integrated circuits (ICs) should be considered sensitive to electrostatic discharge (ESD.) ESD damage can occur when there is a difference in charge between objects. Protect against ESD damage by equalizing the charge so that the machine, the part, the work mat, and the person handling the part are all at the same charge.

Notes:

1. Use product-specific ESD procedures when they exceed the requirements noted here.
2. Make sure that the ESD protective devices you use have been certified (ISO 9000) as fully effective.

When handling ESD-sensitive parts:

- Keep the parts in protective packages until they are inserted into the product.
- Avoid contact with other people.
- Wear a grounded wrist strap against your skin to eliminate static on your body.
- Prevent the part from touching your clothing. Most clothing is insulative and retains a charge even when you are wearing a wrist strap.
- Use a grounded work mat to provide a static-free work surface. The mat is especially useful when handling ESD-sensitive devices.
- Select a grounding system, such as those listed below, to provide protection that meets the specific service requirement.

Note: The use of a grounding system to guard against ESD damage is desirable but not necessary.

- Attach the ESD ground clip to any frame ground, ground braid, or green-wire ground.

- When working on a double-insulated or battery-operated system, use an ESD common ground or reference point. You can use coax or connector-outside shells on these systems.
- Use the round ground prong of the ac plug on ac-operated computers.

Grounding requirements

Electrical grounding of the computer is required for operator safety and correct system function. Proper grounding of the electrical outlet can be verified by a certified electrician.

Safety notices (multilingual translations)

The safety notices in this section are provided in the following languages:

- English
- Arabic
- Brazilian Portuguese
- French
- German
- Hebrew
- Japanese
- Korean
- Spanish
- Traditional Chinese



DANGER

Before the computer is powered on after FRU replacement, make sure that all screws, springs, and other small parts are in place and are not left loose inside the computer. Verify this by shaking the computer and listening for rattling sounds. Metallic parts or metal flakes can cause electrical short circuits.



DANGER

Some standby batteries contain a small amount of nickel and cadmium. Do not disassemble a standby battery, recharge it, throw it into fire or water, or short-circuit it. Dispose of the battery as required by local ordinances or regulations. Use only the battery in the appropriate parts listing. Use of an incorrect battery can result in ignition or explosion of the battery.



DANGER

The battery pack contains small amounts of nickel. Do not disassemble it, throw it into fire or water, or short-circuit it. Dispose of the battery pack as required by local ordinances or regulations. Use only the battery in the appropriate parts listing when replacing the battery pack. Use of an incorrect battery can result in ignition or explosion of the battery.



DANGER

The lithium battery can cause a fire, an explosion, or a severe burn. Do not recharge it, remove its polarized connector, disassemble it, heat it above 100°C (212°F), incinerate it, or expose its cell contents to water. Dispose of the battery as required by local ordinances or regulations. Use only the battery in the appropriate parts listing. Use of an incorrect battery can result in ignition or explosion of the battery.



DANGER

If the LCD breaks and the fluid from inside the LCD gets into your eyes or on your hands, immediately wash the affected areas with water for at least 15 minutes. Seek medical care if any symptoms from the fluid are present after washing.



DANGER

To avoid shock, do not remove the plastic cover that protects the lower part of the inverter card.



DANGER

Though the main batteries have low voltage, a short-circuited or grounded battery can produce enough current to burn personnel or combustible materials.



DANGER

Unless hot swap is allowed for the FRU being replaced, do as follows before removing it: power off the computer, unplug all power cords from electrical outlets, remove the battery pack, and disconnect any interconnecting cables.



قبل إعادة تشغيل الحاسب بعد الانتهاء من استبدال FRU، تأكد من أنه قد تم إعادة كل من المسامير و السوست وكل الأجزاء الصغيرة الأخرى في أماكنهم ولم يتم ففدهم داخل الحاسب. ويمكن التحقق من ذلك عن طريق هز الحاسب والاستماع لأي صوت صاخب يصدر منه. قد تؤدي الأجزاء أو الرقائق المعدنية الى حدوث دائرة قصر.



خطر

تحتوي بعض البطاريات الاحتياطية على كمية صغيرة من مادتي النيكل والكاديوم. لا تقم بفك أو إعادة شحن البطارية الاحتياطية ولا تقم أيضا بالقائها في النار أو الماء ولا تتسبب في احدث دائرة قصر بها. قم بالتخلص من البطارية كما هو موضح في القوانين المحلية. استخدم نوع البطارية المحدد والذي يوصى باستخدامه. حيث أنه قد يؤدي استخدام نوع بطارية غير صحيح الى اشتعالها أو انفجارها.



خطر

تحتوي حزمة البطارية على كمية صغيرة من مادة النيكل. لا تقم بفكها أو القاءها في النار أو الماء ولا تتسبب في احدث دائرة قصر بها. تخلص من حزمة البطارية وفقا لما هو موضح في القوانين المحلية. قم، عند استبدال حزمة البطارية، باستخدام الأنواع المحددة فقط والتي يوصى باستخدامها. حيث أنه قد يؤدي استخدام نوع بطارية غير صحيح الى اشتعالها أو انفجارها.



خطر

قد تتسبب بطارية الليثيوم في حدوث حريق أو انفجار أو حدوث حروق شديدة. لا تقم بإعادة شحن البطارية أو إزالة موصل الاستقطاب الخاص بها ولا تحاول أيضا فكها أو تسخينها لأكثر من ١٠٠ درجة مئوية (٢١٢١ فهرنهايت) أو حرقها أو تعريض محتويات الخانة الخاصة بها للماء. قم بالتخلص من البطارية وفقا لما هو موضح في القوانين المحلية. استخدم نوع البطارية المحدد والذي يوصى باستخدامه. حيث أنه قد يؤدي استخدام نوع بطارية غير صحيح الى اشتعالها أو انفجارها.



خطر

إذا ما انكسرت شاشة LCD ولامس السائل الداخلي عينيك أو يديك، قم في الحال بغسلهما بالماء لمدة لا تقل عن ١٥ دقيقة. إذا ما وجدت أي أعراض بعد الغسل اطلب عندئذ المساعدة الطبية.



خطر

لتجنب التعرض لأي صدمات، لا تقم بإزالة الغطاء البلاستيكي الذي يحمي الجزء الأسفل من بطاقة العاكس.



خطر

على الرغم من أن البطاريات الرئيسية يكون لها جهد منخفض، إلا أنه قد تقوم البطاريات التي حدث قصور بها أو التي تم توصيلها أرضيا بإصدار تيار يكفي لحدوث حروق للأفراد أو تعرض المواد القابلة للاشتعال للحريق.



خطر

ما لم يتم السماح بالتبديل الفوري لأي FRU الجاري استبداله بدون ضرورة اغلاق النظام، قم بتنفيذ ما يلي قبل ازالته. قم بإيقاف تشغيل الحاسب ونزع كل أسلاك الطاقة من المخارج الكهربائية وقم أيضا بإزالة حزمة البطارية ثم قم بفصل أي كابلات متصلة.



PERIGO

Antes de ligar o computador após a substituição da FRU, certifique-se de que todos os parafusos, molas e outras peças pequenas estejam no lugar e não estejam soltos dentro do computador. Verifique isso sacudindo o computador e procurando ouvir sons de peças soltas. Peças metálicas ou lascas de metal podem causar curto-circuito.



PERIGO

Algumas baterias reserva contêm uma pequena quantidade de níquel e cádmio. Não desmonte uma bateria reserva, recarregue-a, jogue-a no fogo ou na água, ou deixe-a entrar em curto-circuito. Descarte a bateria conforme requerido pelas leis ou regulamentos locais. Use somente a bateria nas partes listadas apropriadas. O uso de uma bateria incorreta pode resultar em combustão ou explosão da bateria.



PERIGO

O pacote da bateria contém uma pequena quantidade de níquel. Não o desmonte, jogue-o no fogo ou na água, ou deixe-o entrar em curto-circuito. Descarte o pacote da bateria conforme requerido pelas leis ou regulamentos locais. Use somente a bateria nas partes listadas apropriadas ao substituir o pacote da bateria. O uso de uma bateria incorreta pode resultar em combustão ou explosão da bateria.



PERIGO

A bateria de lítio pode causar incêndio, explosão ou graves queimaduras. Não a recarregue, remova seu conector polarizado, desmonte-a, aqueça-a acima de 100°C (212°F), incinere-a, ou exponha o conteúdo de sua célula à água. Descarte a bateria conforme requerido pelas leis ou regulamentos locais. Use somente a bateria nas partes listadas apropriadas. O uso de uma bateria incorreta pode resultar em combustão ou explosão da bateria.



PERIGO

Se o LCD quebrar e o fluido de dentro dele entrar em contato com seus olhos ou com suas mãos, lave as áreas afetadas imediatamente com água durante pelo menos 15 minutos. Procure cuidados médicos se algum sintoma causado pelo fluido surgir após a lavagem.



PERIGO

Para evitar choque elétrico, não remova a capa plástica que protege a parte inferior da placa inversora.



PERIGO

Embora as principais baterias possuam baixa voltagem, uma bateria em curto-circuito ou aterrada pode produzir corrente o bastante para queimar materiais de pessoal ou inflamáveis.



PERIGO

A menos que uma hot swap seja permitida para a FRU que está sendo substituída, faça o seguinte antes de removê-la: desligue o computador, desconecte todos os cabos de energia das tomadas, remova o pacote de baterias e desconecte quaisquer cabos de interconexão.



DANGER

Avant de remettre l'ordinateur sous tension après remplacement d'une unité en clientèle, vérifiez que tous les ressorts, vis et autres pièces sont bien en place et bien fixées. Pour ce faire, secouez l'unité et assurez-vous qu'aucun bruit suspect ne se produit. Des pièces métalliques ou des copeaux de métal pourraient causer un court-circuit.



DANGER

Certaines batteries de secours contiennent du nickel et du cadmium. Ne les démontez pas, ne les rechargez pas, ne les exposez ni au feu ni à l'eau. Ne les mettez pas en court-circuit. Pour les mettre au rebut, conformez-vous à la réglementation en vigueur. Lorsque vous remplacez la pile de sauvegarde ou celle de l'horloge temps réel, veillez à n'utiliser que les modèles cités dans la liste de pièces détachées adéquate. Une batterie ou une pile inappropriée risque de prendre feu ou d'exploser.



DANGER

La batterie contient du nickel. Ne la démontez pas, ne l'exposez ni au feu ni à l'eau. Ne la mettez pas en court-circuit. Pour la mettre au rebut, conformez-vous à la réglementation en vigueur. Lorsque vous remplacez la batterie, veillez à n'utiliser que les modèles cités dans la liste de pièces détachées adéquate. En effet, une batterie inappropriée risque de prendre feu ou d'exploser.



DANGER

La pile de sauvegarde contient du lithium. Elle présente des risques d'incendie, d'explosion ou de brûlures graves. Ne la rechargez pas, ne retirez pas son connecteur polarisé et ne la démontez pas. Ne l'exposez pas à une température supérieure à 100°C, ne la faites pas brûler et n'en exposez pas le contenu à l'eau. Mettez la pile au rebut conformément à la réglementation en vigueur. Une pile inappropriée risque de prendre feu ou d'exploser.



DANGER

Si le panneau d'affichage à cristaux liquides se brise et que vous recevez dans les yeux ou sur les mains une partie du fluide, rincez-les abondamment pendant au moins quinze minutes. Consultez un médecin si des symptômes persistent après le lavage.



DANGER

Afin d'éviter tout risque de choc électrique, ne retirez pas le cache en plastique protégeant la partie inférieure de la carte d'alimentation.



DANGER

Bien que le voltage des batteries principales soit peu élevé, le court-circuit ou la mise à la masse d'une batterie peut produire suffisamment de courant pour brûler des matériaux combustibles ou causer des brûlures corporelles graves.



DANGER

Si le remplacement à chaud n'est pas autorisé pour l'unité remplaçable sur site que vous remplacez, procédez comme suit avant de retirer l'unité : mettez l'ordinateur hors tension, débranchez tous les cordons d'alimentation des prises de courant, retirez le bloc de batterie et déconnectez tous les câbles d'interconnexion.



VORSICHT

Bevor nach einem FRU-Austausch der Computer wieder angeschlossen wird, muß sichergestellt werden, daß keine Schrauben, Federn oder andere Kleinteile fehlen oder im Gehäuse vergessen wurden. Der Computer muß geschüttelt und auf Klappergeräusche geprüft werden. Metallteile oder-splitter können Kurzschlüsse erzeugen.



VORSICHT

Die Bereitschaftsbatterie, die sich unter dem Diskettenlaufwerk befindet, kann geringe Mengen Nickel und Cadmium enthalten. Sie darf nur durch die Verkaufsstelle oder den IBM Kundendienst ausgetauscht werden. Sie darf nicht zerlegt, wiederaufgeladen, kurzgeschlossen, oder Feuer oder Wasser ausgesetzt werden. Die Batterie kann schwere Verbrennungen oder Verätzungen verursachen. Bei der Entsorgung die örtlichen Bestimmungen für Sondermüll beachten. Beim Ersetzen der Bereitschafts- oder Systembatterie nur Batterien des Typs verwenden, der in der Ersatzteilliste aufgeführt ist. Der Einsatz falscher Batterien kann zu Entzündung oder Explosion führen.



VORSICHT

Akkus enthalten geringe Mengen von Nickel. Sie dürfen nicht zerlegt, wiederaufgeladen, kurzgeschlossen, oder Feuer oder Wasser ausgesetzt werden. Bei der Entsorgung die örtlichen Bestimmungen für Sondermüll beachten. Beim Ersetzen der Batterie nur Batterien des Typs verwenden, der in der Ersatzteilliste aufgeführt ist. Der Einsatz falscher Batterien kann zu Entzündung oder Explosion führen.



VORSICHT

Die Systematterie ist eine Lithiumatterie. Sie kann sich entzünden, explodieren oder schwere Verbrennungen hervorrufen. Batterien dieses Typs dürfen nicht aufgeladen, zerlegt, über 100°C erhitzt oder verbrannt werden. Auch darf ihr Inhalt nicht mit Wasser in Verbindung gebracht oder der zur richtigen Polung angebrachte Verbindungsstecker entfernt werden. Bei der Entsorgung die örtlichen Bestimmungen für Sondermüll beachten. Beim Ersetzen der Batterie nur Batterien des Typs verwenden, der in der Ersatzteilliste aufgeführt ist. Der Einsatz falscher Batterien kann zu Entzündung oder Explosion führen.



VORSICHT

Die Leuchtstoffröhre im LCD-Bildschirm enthält Quecksilber. Bei der Entsorgung die örtlichen Bestimmungen für Sondermüll beachten. Der LCD-Bildschirm besteht aus Glas und kann zerbrechen, wenn er unsachgemäß behandelt wird oder der Computer auf den Boden fällt. Wenn der Bildschirm beschädigt ist und die darin befindliche Flüssigkeit in Kontakt mit Haut und Augen gerät, sollten die betroffenen Stellen mindestens 15 Minuten mit Wasser abgespült und bei Beschwerden anschließend ein Arzt aufgesucht werden.



VORSICHT

Aus Sicherheitsgründen die Kunststoffabdeckung, die den unteren Teil der Spannungswandlerplatine umgibt, nicht entfernen.



VORSICHT

Obwohl Hauptbatterien eine niedrige Spannung haben, können sie doch bei Kurzschluß oder Erdung genug Strom abgeben, um brennbare Materialien zu entzünden oder Verletzungen bei Personen hervorzurufen.



VORSICHT

Wenn ein Austausch der FRU bei laufendem Betrieb nicht erlaubt ist, gehen Sie beim Austausch der FRU wie folgt vor: Schalten Sie den Computer aus, ziehen Sie alle Netzkabel von den Netzsteckdosen ab, entfernen Sie den Akku und ziehen Sie alle miteinander verbundenen Kabel ab.



סכנה

לפני הפעלת המחשב לאחר החלפת FRU יש לוודא שכל הברגים, הקפיצים, וחלקים קטנים אחרים נמצאים במקומם ואינם חופשיים לזוז בתוך המחשב. כדי לוודא זאת, יש לטלטל את המחשב ולחקשיב לגילוי קולות שקשוק. חלקי או שבבי מתכת עלולים לגרום לקצרים חשמליים.



סכנה

סוללות המתנה מסוימות מכילות כמות קטנה של ניקל וקדמיום. אין לפרק סוללת המתנה, לטעון אותה מחדש, להשליך אותה לאש או למים או לקצר אותה. יש לסלק את הסוללה כנדרש על ידי התקנות והחוקים המקומיים. יש להשתמש רק בסוללה המופיעה ברשימת החלקים המתאימה. שימוש בסוללה לא מתאימה עלול לגרום להצתה או התפוצצות של הסוללה.



סכנה

מארז הסוללה מכיל כמות קטנה של ניקל וקדמיום. אין לפרק את מארז הסוללה, להשליך אותו לאש או למים או לקצר אותו. יש לסלק את מארז הסוללה כנדרש על ידי התקנות והחוקים המקומיים. יש להשתמש רק בסוללה המופיעה ברשימת החלקים המתאימה בזמן החלפת מארז הסוללה. שימוש בסוללה לא מתאימה עלול לגרום להצתה או התפוצצות של הסוללה.



סכנה

סוללת הליתיום עלולה לגרום לשריפה, להתפוצצות או לכוויות קשות. אין לטעון אותה מחדש, לסלק את המחבר המקוטב שלה, לפרק אותה או לחמם אותה לטמפרטורה העולה על 100 מעלות צלזיוס. אין לשרוף את הסוללה ואין לחשוף את תוכן התא למים. יש לסלק את הסוללה כנדרש בתקנות ובחוקים המקומיים. יש להשתמש רק בסוללה המופיעה ברשימת החלקים המתאימים. שימוש בסוללה אחרת עלול לגרום לסכנת שריפה או התפוצצות.



סכנה

אם מסך הגביש הנזולי (LCD) נשבר והנזול מתוך המסך בא במגע עם עיניכם או יריכם, שטפו את האזורים הנגועים מיד במים במשך 15 דקות לפחות. פנו לקבלת עזרה רפואית אם תסמינים חנובעים מחמגע עם הנזול נמשכים לאחר הטיפול.



סכנה

כדי למנוע התחשמלות, אין להסיר את מכסה הפלסטיק המגן על חלקו התחתון של הכרטיס החמור.



סכנה

אף שהסוללות הראשיות הן בעלות מותח נמוך, סוללה מקוצרת או מוארכת עלולה להפיק זרם מספיק לגרימת כוויות או להצתת חומרים דליקים.



סכנה

אלא אם כן מותרת 'החלפה חמה' של ה-FRU המוחלף, פעלו כדלהלן לפני חסרתו: כבו את המחשב, נתקו את כל כבלי החשמל מחשקעים, הוציאו את מארז הסוללות ונתקו את כל הכבלים מחוברים.



危険

FRUの交換後、ThinkPadの電源を入れる前に、ねじ、パネ、その他の小さな部品がすべて正しい位置にあり、またThinkPadの内部で緩んでいないことを確認してください。
これを確認するには、ThinkPadを振って、カチャカチャと音がしないか確かめます。金属部品や金属破片はショートの原因になることがあります。



危険

予備バッテリーの中には少量のニッケルとカドミウムが含まれているものがあります。したがって、予備バッテリーの分解、再充電、火または水の中への投棄、またはショートさせることは決して行わないでください。バッテリーを廃棄する場合は地方自治体の条例に従ってください。適切なパーツ・リストにあるバッテリーだけを使用してください。誤ったバッテリーを使用すると、バッテリーが発火したり、爆発したりすることがあります。



危険

バッテリー・パックには少量のニッケルが含まれています。バッテリー・パックを分解したり、火または水の中に投げ込んだり、ショートさせないでください。バッテリー・パックの廃棄にあたっては、地方自治体の条例または規則に従ってください。バッテリー・パックを交換するときは、適切なパーツ・リストにあるバッテリーだけを使用してください。誤ったバッテリーを使用すると、バッテリーが発火したり、爆発したりすることがあります。



危険

リチウム・バッテリーは、火災、爆発、または重症のやけどを引き起こすことがあります。バックアップ・バッテリーの充電、その極性コネクタの取り外し、バッテリー本体の分解、100°C (212°F)以上への加熱、焼却、電池の中身を水に浸すことはしないでください。バッテリーを廃棄する場合は地方自治体の条例に従ってください。適切なパーツ・リストにあるバッテリーだけを使用してください。誤ったバッテリーを使用すると、バッテリーが発火したり、爆発したりすることがあります。



危険

LCDが破損し、LCDの中の液体が目に入ったり、手に触れたりした場合は、液体が触れた部分を少なくとも15分間洗い流してください。洗い流した後に、液体によって何らかの症状が現れた場合は、医師の治療を受けてください。



危険

感電を防ぐため、インバーター・カードの下部を保護しているプラスチック・カバーを外さないでください。



危険

メイン・バッテリーの電圧は低くても、ショートしたり、接地したバッテリーが、作業者にやけどを負わせたり、可燃物を燃やすだけの電流を発生させる場合があります。



危険

交換しようとしている FRU がホット・スワップに対応していない場合、それを取り外す前に、コンピューターの電源をオフにし、すべての電源コードをコンセントから抜き、バッテリー・バックを取り外して、相互接続しているケーブルをすべて切り離してください。



위험

FRU를 교체하고 나서 컴퓨터 전원을 켜기 전에 모든 나사, 스프링 및 기타 작은 부품들이 올바른 위치에 있는지, 컴퓨터 내부에 단단하게 연결되어 있는지 확인하십시오. 컴퓨터를 흔들어 탈락거리는 소리가 나지 않는지 확인하십시오. 금속 부품 또는 금속 조각은 누전을 일으킬 수 있습니다.



위험

일부 보조 배터리에는 소량의 니켈 및 카드뮴이 포함되어 있습니다. 보조 배터리를 분해하거나, 다시 충전하거나, 불 또는 물에 던지거나, 단락시키지 마십시오. 배터리 팩을 폐기할 때에는 해당 지역의 법률 규정을 따르십시오. 배터리 팩을 교체할 때에는 올바른 배터리만 사용하십시오. 올바르지 않은 배터리를 사용하면 배터리가 발화되거나 폭발할 수 있습니다.



위험

배터리 팩에는 소량의 니켈이 포함되어 있습니다. 배터리 팩을 분해하거나, 불 또는 물에 던지거나, 단락시키지 마십시오. 배터리 팩을 폐기할 때에는 해당 지역의 법률 규정을 따르십시오. 배터리 팩을 교체할 때에는 올바른 배터리만 사용하십시오. 올바르지 않은 배터리를 사용하면 배터리가 발화되거나 폭발할 수 있습니다.



위험

리튬 배터리는 화재, 폭발 또는 심각한 화상을 일으킬 수 있습니다. 리튬 배터리를 다시 충전하거나, 극성 커넥터를 제거하거나, 분해하거나, 100C(212F) 이상으로 가열하거나, 소각하거나, 전지 내용물을 물에 노출시키지 마십시오. 배터리를 폐기할 때에는 해당 지역을 법률 규정을 따르십시오. 올바른 배터리만 사용하십시오. 올바르지 않은 배터리를 사용하면 배터리가 발화되거나 폭발할 수 있습니다.



위험

LCD가 파손되어 LCD 내부의 액체가 눈에 들어가거나 손에 묻으면 즉시 깨끗한 물로 15분 이상 닦아 내십시오. 씻은 후에 조금이라도 이상을 느끼면 즉시 병원에 가서 의사의 진찰을 받아야 합니다.



위험

전기적 위험을 방지하려면 인버터 카드의 아래 부분을 보호하는 플라스틱 덮개를 제거하지 마십시오.



위험

기본 배터리의 전압은 낮지만, 단락되거나 접지된 배터리는 화상을 입히기에 충분한 전류와 가연성 물질을 발생시킬 수 있습니다.



위험

FRU 교체 시 Hot Swap이 지원되지 않는 경우, FRU를 제거하기 전에 컴퓨터의 전원을 끄고, 전기 콘센트에서 전원 코드를 분리하고, 배터리를 제거한 후, 연결된 모든 케이블을 분리하십시오.



PELIGRO

Antes de encender el sistema despues de sustituir una FRU, compruebe que todos los tornillos, muelles y demás piezas pequeñas se encuentran en su sitio y no se encuentran sueltas dentro del sistema. Compruébelo agitando el sistema y escuchando los posibles ruidos que provocarían. Las piezas metálicas pueden causar cortocircuitos eléctricos.



PELIGRO

Algunas baterías de reserva contienen una pequeña cantidad de níquel y cadmio. No las desmonte, ni recargue, ni las eche al fuego o al agua ni las cortocircuite. Deséchelas tal como dispone la normativa local. Utilice sólo baterías que se encuentren en la lista de piezas. La utilización de una batería no apropiada puede provocar la ignición o explosión de la misma.



PELIGRO

Las baterías contienen pequeñas cantidades de níquel. No las desmonte, ni recargue, ni las eche al fuego o al agua ni las cortocircuite. Deséchelas tal como dispone la normativa local. Utilice sólo baterías que se encuentren en la lista de piezas al sustituir la batería. La utilización de una batería no apropiada puede provocar la ignición o explosión de la misma.



PELIGRO

La batería de repuesto es una batería de litio y puede provocar incendios, explosiones o quemaduras graves. No la recargue, ni quite el conector polarizado, ni la desmonte, ni caliente por encima de los 100°C (212°F), ni la incinere ni exponga el contenido de sus celdas al agua. Deséchela tal como dispone la normativa local.



PELIGRO

Si la LCD se rompe y el fluido de su interior entra en contacto con sus ojos o sus manos, lave inmediatamente las áreas afectadas con agua durante 15 minutos como mínimo. Obtenga atención medica si se presenta algún síntoma del fluido despues de lavarse.



PELIGRO

Para evitar descargas, no quite la cubierta de plástico que rodea la parte baja de la tarjeta invertida.



PELIGRO

Aunque las baterías principales tienen un voltaje bajo, una batería cortocircuitada o con contacto a tierra puede producir la corriente suficiente como para quemar material combustible o provocar quemaduras en el personal.



PELIGRO

Salvo que se permita el intercambio en caliente para la unidad sustituible localmente, realice lo siguiente antes de extraerla: apague el sistema, desconecte todos los cables de alimentación de las tomas de alimentación eléctrica, extraiga la batería y desconecte los cables de interconexión.



危險

完成 FRU 更換之後，在開啟電腦的電源之前，請確定所有螺絲、彈簧及其他小零件都已歸位，沒有遺留在電腦內部。
若要確認這一點，請搖晃電腦，聽聽看是否有卡嗒的聲響。
金屬零件或鑄鍊的火花會造成電線短路。



危險

部分備用電池含有微量的鎳和鎘。請勿拆開備用電池、再充電、丟入火或水中，或使其形成短路。請按照當地法令或規定來棄置電池。
僅限使用零件清單中的電池。使用不適當的電池會導致電池起火或爆炸。



危險

電池套件含有微量的鎳。請勿拆開電池套件、丟入火或水中，或使其形成短路。請按照當地法令或規定來棄置電池套件。
更換電池套件時，僅限使用零件清單中的電池。使用不適當的電池會導致電池起火或爆炸。



危險

鋰電池會導致起火、爆炸或嚴重燒傷。請勿再充電、拔除其電極接頭、拆開、加熱超過 100°C (212°F)、焚燒，或讓電池組成物浸到水。請按照當地法令或規定來棄置電池。
僅限使用零件清單中的電池。使用不適當的電池會導致電池起火或爆炸。



危險

如果 LCD 破裂導致 LCD 流出的液體沾到您的眼睛或手，請立即以清水沖洗沾染部位至少 15 分鐘。如果在清洗後出現該液體所造成的任何症狀，請就醫治療。



危險

為避免電擊，請勿拆下轉換卡下面的塑膠護蓋。



危險

雖然主電池的電壓很低，但短路或接地電池所產生的電流，仍足以使人燒傷或使可燃物質起火。



危險

除非 FRU 允許以熱抽換來替換，否則請依下列方式將其移除：將電腦關機，拔除插座上所有電源線，移除電池包，並拔開任何交互連接的線材。

Chapter 2. Important service information

This chapter introduces following important service information that applies to all machine types supported by this manual:

- “Strategy for replacing FRUs” on page 19
 - “Strategy for replacing an M.2 solid-state drive” on page 19
 - “Important notice for replacing a system board” on page 20
 - “How to use error message” on page 20
- “Strategy for replacing FRUs for CTO, special-bid, and standard models” on page 20
 - “Product definition” on page 20
 - “FRU identification” on page 20

Important:

- Advise customers to contact the Lenovo® Support Web site at <http://www.lenovo.com/support> to view the software fixes, download the drivers, and follow the on-screen instructions to install the drivers. For additional assistance, customers might call the Lenovo Customer Support Center. Telephone numbers for the Lenovo Support Center are available at:
<http://www.lenovo.com/support/phone>
- Service training documents for Lenovo authorized service technicians are available at the following Web site. The disassembly and reassembly videos that show the FRU removal and replacement procedures are contained in the documents.
<http://www.lenovoservicetraining.com>

Strategy for replacing FRUs

Before replacing parts:

Ensure that all software fixes, drivers, and UEFI BIOS downloads are installed before replacing any FRUs listed in this manual.

After a system board is replaced, ensure that the latest UEFI BIOS is loaded to the system board before completing the service action.

To download software fixes, drivers, and UEFI BIOS, go to <http://www.lenovo.com/ThinkPadDrivers> and follow the instructions on the screen.

Use the following strategy to prevent unnecessary expense for replacing and servicing FRUs:

- If you are instructed to replace a FRU but the replacement does not correct the problem, reinstall the original FRU before you continue.
- Some computers have both a processor board and a system board. If you are instructed to replace either the processor board or the system board, and replacing one of them does not correct the problem, reinstall that board, and then replace the other one.
- If an adapter or a device consists of more than one FRU, any of the FRUs may be the cause of the error. Before replacing the adapter or device, remove the FRUs, one by one, to see if the symptoms change. Replace only the FRU that changed the symptoms.

Strategy for replacing an M.2 solid-state drive

Always try to run a low-level format before replacing an M.2 solid-state drive (SSD). This will cause all customer data on the M.2 SSD to be lost. Be sure that the customer has a current backup of the data before doing this task.

Attention: The drive startup sequence in the computer you are servicing may have been changed. Be extremely careful during write operations such as copying, saving, or formatting. If you select an incorrect drive, data or programs can be overwritten.

Important notice for replacing a system board

Some components mounted on a system board are very sensitive. Improper handling of a system board can cause damage to those components, and may cause a system malfunction.

Attention: When handling a system board:

- Do not drop a system board or apply any excessive force to it.
- Avoid rough handling of any kind.
- Avoid bending a system board and hard pushing to prevent cracking at each BGA (Ball Grid Array) chipset.

How to use error message

Use the error codes displayed on the screen to diagnose failures. If more than one error code is displayed, begin the diagnosis with the first error code. Whatever causes the first error code may also cause false error codes. If no error code is displayed, see whether the error symptom is listed in the Symptom-to-FRU Index for the computer you are servicing.

Strategy for replacing FRUs for CTO, special-bid, and standard models

This topic provides information about the model types and FRU identification.

Product definition

This topic introduces different model types and how to identify each type.

Dynamic configure-to-order (CTO) model

This model provides the ability for a customer to configure a Lenovo solution from a Web Site, and have this configuration sent to fulfillment, where it is built and shipped directly to the customer. The machine label and eSupport will load these products as the 4-character MT, 4-character model, and 2-character country code. The model is “CTO1” and the default country code is “WW” (example: 20A7CTO1WW).

Special-bid model

This is a unique configuration that has been negotiated between Lenovo and the customer. A unique machine type model (MTM) consists of a 4-character MT, a 4-character model, and a numeric 2-character country code is provided to the customer to place orders (example: 20A7000955). The country code assigned is numeric and does not designate a specific country or region. The custom model factsheet for the MTM indicates which country the special bid MTM is set up for. Special-bid offering is not generally announced.

Standard model

Standard models (fixed configuration) are announced and offered to all customers. The MTM portion of the machine label consists of a 4-character MT, a 4-character model, and an alphabetic 2-character country code. The country code assigned is alphabetic and represents a designated country or region (example: 20A70009UK).

FRU identification

Use Lenovo eSupport to identify major FRUs, FRU part numbers, and FRU descriptions for a product at an MT - serial number level. Examples of major FRUs are hard disk drive, system board, and liquid crystal display (LCD).

To identify the major FRUs for a product, do the following:

1. Go to <http://support.lenovo.com/ibasepartslookup>.
2. Type the Machine Type and Serial Number in the corresponding fields.
3. Click **Submit**.

eSupport also can be used to view the general FRU list for a product. The FRU list is a general list of components and does not contain specific model information.

To get the general FRU list for a product, do the following:

1. Go to <http://www.lenovo.com/support>.
2. Follow the instructions on the screen to select a product.
3. Click the **Product & Parts** tab.
4. Select **System Service Parts** to view a general FRU list.

Chapter 3. General checkout

This chapter introduces following information:

- “What to do first” on page 23
- “Checkout guide” on page 24
 - “Lenovo Companion” on page 24
 - “Quick test programs” on page 24
 - “UEFI diagnostic program” on page 25
 - “Bootable diagnostic programs” on page 25
- “Power system checkout” on page 26

Before you go to the checkout guide, be sure to read the following important notes.

Important notes:

- **Only certified trained personnel should service the computer.**
- **Before replacing any FRU, read the entire page on removing and replacing FRUs.**
- **When you replace FRUs, it is recommended use new nylon-coated screws.**
- **Be extremely careful during such write operations as copying, saving, or formatting.** The sequence of the drives in the computer that you are servicing might have been altered. If you select an incorrect drive, data or programs might be overwritten.
- **Replace a FRU only with another FRU of the correct model.** When you replace a FRU, ensure that the model of the machine and the FRU part number are correct by referring to the Web site: <http://www.lenovo.com/serviceparts-lookup>
- **A FRU should not be replaced because of a single, unreproducible failure.** Single failures can occur for various reasons that have nothing to do with a hardware defect, such as cosmic radiation, electrostatic discharge, or software errors. Consider replacing a FRU only when a problem recurs. If you suspect that a FRU is defective, clear the error log and run the test again. If the error does not recur, do not replace the FRU.
- **Be careful not to replace a nondefective FRU.**

What to do first

When you return a FRU, you must include the following information in the parts exchange form or parts return form that you attach to it:

1. Name and phone number of service technician
2. Date of service
3. Date on which the machine failed
4. Date of purchase
5. Failure symptoms, error codes appearing on the display, and beep symptoms
6. Procedure index and page number in which the failing FRU was detected
7. Failing FRU name and part number
8. Machine type, model number, and serial number
9. Customer's name and address

Note: During the warranty period, the customer may be responsible for repair costs if the computer damage was caused by misuse, accident, modification, unsuitable physical or operating environment, or improper maintenance by the customer. Following is a list of some common items that are not covered under warranty and some symptoms that might indicate that the system was subjected to stress beyond normal use.

Before checking problems with the computer, determine whether the damage is covered under the warranty by referring to the following list:

The following are not covered under warranty:

- LCD panel cracked from the application of excessive force or from being dropped
- Scratched (cosmetic) parts
- Distortion, deformation, or discoloration of the cosmetic parts
- Plastic parts, latches, pins, or connectors that have been cracked or broken by excessive force
- Damage caused by liquid spilled into the system
- Damage caused by the improper insertion of a PC card or the installation of an incompatible card
- Improper disc insertion or use of an optical drive
- Fuses blown by attachment of a nonsupported device
- Forgotten computer password (making the computer unusable)
- Sticky keys caused by spilling a liquid onto the keyboard
- Use of an incorrect ac power adapter on laptop products

The following symptoms might indicate damage caused by nonwarranted activities:

- Missing parts might be a symptom of unauthorized service or modification.
- Check for obvious damage to a hard disk drive. If the spindle of a hard disk drive becomes noisy, the hard disk drive might have been dropped or subject to excessive force.

Checkout guide

Use the following procedures as a guide in identifying and correcting problems with the ThinkPad notebook computers.

Note: The diagnostic tests are intended to test only ThinkPad products. The use of non-ThinkPad products, prototype cards, or modified options can lead to false indications of errors and invalid system responses.

1. Identify the failing symptoms in as much detail as possible.
2. Verify the symptoms. Try to re-create the failure by running the diagnostic test or by repeating the operation.

Lenovo Companion

Lenovo Companion supports the hardware scan function. It combines diagnostic tests, system information collection, security status, and support information, along with hints and tips for optimal system performance.

The Lenovo Companion program is available for download at <https://shop.lenovo.com/us/en/accessories/software/apps/lenovo-apps/companion/>.

To run the Lenovo Companion program, open the Start menu and click **Lenovo Companion**, and then follow the instructions on the screen.

Quick test programs

Lenovo provides quick test programs to troubleshoot and resolve computer problems.

To download and install a quick test program, go to <http://www.lenovo.com/diags>, and follow the instructions on the Web site.

To run a test using quick test program, do the following:

1. Go to the C:\SWTOOLS\ldiag directory.
2. Double-click the gui_lsc_lite.exe file.
3. When the **User Account Control** window opens, click **Yes**.

4. Select the device class to be tested.
5. Select the devices to be tested.
6. Select the test to be performed.
7. Follow the instructions on the screen to start the test. When a problem is detected, information messages are displayed. Refer to the messages to troubleshoot the problem.

UEFI diagnostic program

A UEFI diagnostic program is preinstalled on the computer. It enables you to test internal storage devices, view system information, and check and recover bad sectors on internal storage devices.

To run the UEFI diagnostic program, do the following:

1. Turn on the computer. If the computer cannot be turned on, go to “Power system checkout” on page 26, and check the power sources. If an error code is displayed, go to “Symptom-to-FRU index” on page 34 for error code descriptions and troubleshooting hints.
2. When the ThinkPad logo is displayed, repeatedly press and release the F10 key. The main screen of the UEFI diagnostic program is displayed.
3. Follow the instructions on the screen to use the diagnostic program.

Bootable diagnostic programs

If the computer you are servicing is not installed with the UEFI diagnostic program, you can download a bootable diagnostic program from the Lenovo Support Web site. The bootable diagnostic programs enable you to test computer memory and internal storage devices, view system information, and check and recover the internal storage devices. To use the bootable diagnostic programs, you can create a bootable diagnostic medium on a USB device or CD.

To create a bootable diagnostic medium, do the following:

1. Go to <http://www.lenovo.com/diags>.
2. Click **Lenovo Bootable Diagnostics**.
3. Follow the instructions on the Web site to create a bootable diagnostic medium on a USB device or CD.

To use the diagnostic medium you have created, do one of the following:

- If you have created the bootable diagnostic medium on a USB device, do the following:
 1. Attach the USB device to the computer.
 2. Turn on the computer. If the computer cannot be turned on, go to “Power system checkout” on page 26, and check the power sources. If an error code is displayed, go to “Symptom-to-FRU index” on page 34 for error code descriptions and troubleshooting hints.
 3. When the ThinkPad logo is displayed, repeatedly press and release the F12 key. When the Boot Menu window opens, release the F12 key.
 4. Use the arrow keys to select **USB HDD** and then press Enter. The diagnostic program will be launched automatically.
 5. Follow the instructions on the screen to use the diagnostic program.
- If you have created the bootable diagnostic medium on a CD, do the following:
 1. Turn on the computer. If the computer cannot be turned on, go to “Power system checkout” on page 26, and check the power sources. If an error code is displayed, go to “Symptom-to-FRU index” on page 34 for error code descriptions and troubleshooting hints.
 2. Insert the CD into the external optical drive.
 3. Restart the computer.

4. When the ThinkPad logo is displayed, repeatedly press and release the F12 key. When the Boot Menu window opens, release the F12 key.
5. Use the arrow keys to select **ATAPI CDx** (x: 0, 1, ...) and then press Enter. The diagnostic program will be launched automatically.
6. Follow the instructions on the screen to use the diagnostic program.

Power system checkout

To verify if a battery and an ac power adapter are functional, do the following:

1. Turn off the computer.
2. Connect the ac power adapter.
3. Turn on the computer. If the computer can be turned on, it means that either the battery or the ac power adapter is functional.
4. Insert a straightened paper clip into the emergency reset hole to reset the computer. If the computer is still powered on, it means that the ac power adapter is functional.
5. Turn off the computer.
6. Disconnect the ac power adapter and turn on the computer. If the computer can be turned on, it means the battery is functional.

If you suspect a power problem, see the appropriate one of the following power supply checkouts:

- “Checking the ac power adapter” on page 26
- “Checking the battery and operational charging” on page 26
- “Checking the coin-cell battery” on page 27

Checking the ac power adapter

Ensure that you use the ac power adapter that is shipped with the computer to provide enough power to the computer.

Note: Noise from the ac power adapter does not always indicate a defect.

To check the ac power adapter, do the following:

1. Connect the computer to a power outlet and turn on the computer.
2. Open the Lenovo Settings program and click **Power** to check the adapter status

If the ac power adapter is working well, adapter information will be displayed on the screen. If a message is displayed warning that the power supply is not enough, replace the adapter with a proper one that is supported by the computer. If you do not see any information about the adapter, replace the adapter with a new one.

If the ac power adapter is working but the computer does not charge during operation, go to “Checking the battery and operational charging” on page 26.

Checking the battery and operational charging

Checking the battery

This system supports only batteries specially designed for this specific system and manufactured by Lenovo or an authorized builder. The system does not support unauthorized batteries or batteries designed for other systems. If an unauthorized battery or a battery designed for another systems is installed, the system will not charge.

Attention: Lenovo has no responsibility for the performance or safety of unauthorized batteries, and provides no warranties for failures or damage arising out of their use.

Move your pointer to the battery-status icon in the Windows® notification area to check the battery status. The battery-status icon displays the percentage of battery power remaining and how long you can use your computer before you must charge the battery.

Checking the operational charging

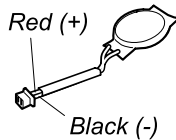
To check whether the battery charges properly during operation, do the following:

1. Discharge the battery until the remained battery power is less than 50%.
2. Perform operational charging. Click the battery status icon in the Windows notification area to display detailed battery information. If it indicates that the battery is not charging, replace the battery.
3. Check the battery status again. If the same error still exists, replace the system board.

Checking the coin-cell battery

To check the coin-cell battery, do the following:

1. Disable the built-in battery. See “Disabling the built-in battery” on page 60.
2. Remove the coin-cell battery. See “1140 System board assembly” on page 74.
3. Measure the voltage of the coin-cell battery. See the following illustration.



Wire	Voltage (V dc)
Red	+2.5 to +3.2
Black	Ground

- If the voltage is correct, replace the system board.
- If the voltage is not correct, replace the coin-cell battery.
- If the coin-cell battery discharges quickly after replacement, replace the system board.

Chapter 4. Related service information

This chapter presents following information:

- “Recovery information” on page 29
- “Passwords” on page 31
- “Power management” on page 33
- “Symptom-to-FRU index” on page 34

Service Web site: When the latest maintenance diskette and the system program service diskette become available, they will be posted on <http://www.lenovo.com/support>

Recovery information

This chapter provides information about the Windows recovery solutions on the Windows 10 operating system.

Resetting your computer

If your computer does not perform well, you might consider resetting your computer. In the resetting process, you can choose to keep your files or remove them, and then reinstall the Windows operating system.

To reset your computer, do the following:

Note: The items in the graphical user interface (GUI) might change without notice.

1. Open the Start menu, and then click **Settings → Update & security → Recovery**.
2. In the **Reset this PC** section, click **Get started**.
3. Follow the instructions on the screen to reset your computer.

Using advanced startup options

The advanced startup options enable you to do the following:

- Change the firmware settings of the computer
- Change the startup settings of the Windows operating system
- Start the computer from an external device
- Restore the Windows operating system from a system image

To use advanced startup options, do the following:

Note: The items in the graphical user interface (GUI) might change without notice.

1. Open the Start menu, and then click **Settings → Update & security → Recovery**.
2. In the **Advanced startup** section, click **Restart now → Troubleshoot → Advanced options**.
3. Select a startup option you want, and then follow the instructions on the screen.

Recovering your operating system if Windows 10 fails to start

The Windows recovery environment on your computer operates independently from the Windows 10 operating system. It enables you to recover or repair the operating system even if the Windows 10 operating system fails to start.

After two consecutive failed boot attempts, the Windows recovery environment starts automatically. Then you can choose repair and recovery options by following the on-screen instructions.

Note: Ensure that your computer is connected to ac power during the recovery process.

Creating and using a recovery USB drive

You can create a recovery USB drive as a backup for the Windows recovery programs. With the recovery USB drive, you can troubleshoot and fix the problems even if the preinstalled Windows recovery programs are damaged.

It is recommended that you create a recovery USB drive as early as possible. If you did not create a recovery USB drive as a precautionary measure, you can contact Lenovo Customer Support Center and purchase one from Lenovo. For a list of the Lenovo Support phone numbers for your country or region, go to:

<http://www.lenovo.com/support/phone>

Creating a recovery USB drive

To create a recovery USB drive, you need a USB drive with at least 16 GB of storage capacity. The actual USB capacity that is required depends on the size of the recovery image.

Attention: The creation process will delete anything stored on the USB drive. To avoid data loss, make a backup copy of all the data that you want to keep.

To create a recovery USB drive, do the following:

Note: Ensure that your computer is connected to ac power during the following process.

1. Connect a proper USB drive (at least 16 GB of storage) to the computer.
2. Type **recovery** in the search box on the taskbar. Then click **Create a recovery drive**.
3. Click **Yes** in the User Account Control window to allow the Recovery Media Creator program to start.
4. In the Recovery Drive window, follow the instructions on the screen to create a recovery USB drive.

Using the recovery USB drive

If you cannot start your computer, reset the computer by inserting a straightened paper clip into the emergency-reset hole. If you still cannot start your computer, use the recovery USB drive to recover your computer.

To use a recovery USB drive, do the following:

Note: Ensure that your computer is connected to ac power during the following process.

1. Connect the recovery USB drive to the computer.
2. Turn on or restart the computer. Before the Windows operating system starts, repeatedly press F12. The Boot Menu window opens.
3. Select the recovery USB drive as the boot device.
4. Select a preferred keyboard layout.
5. Click **Troubleshoot** to display optional recovery solutions.
6. Select a corresponding recovery solution according to your situation. Then follow the instructions on the screen to complete the process.

Passwords

As many as three passwords may be needed for any ThinkPad notebook computer: the power-on password, the hard disk password, and the supervisor password.

If any of these passwords has been set, a prompt for it will be displayed on the screen whenever the computer is turned on. The computer does not start until the password is entered.

Note: If only a supervisor password is set, the password prompt will not be displayed when the operating system is started.

Power-on password

A power-on password protects the system from being powered on by an unauthorized person. The password must be entered before an operating system can be started. For instructions on how to remove the power-on password, see “How to remove the power-on password” on page 32.

Hard disk password

There are two kinds of hard disk passwords:

- User hard disk password - for the user
- Master hard disk password - for the system administrator, who can use it to get access to the hard disk even if the user has changed the user hard disk password

Note: There are two modes for the hard disk password: **User only** and **Master + User**. The **Master + User** mode requires two hard disk passwords; the system administrator enters both in the same operation. The system administrator then provides the user hard disk password to the system user.

Attention: If the user hard disk password has been forgotten, check whether a master hard disk password has been set. If it has, it can be used for access to the hard disk drive. If no master hard disk password is available, neither Lenovo nor Lenovo authorized service technicians provide any services to reset either the user or the master hard disk password, or to recover data from the hard disk drive. The hard disk drive can be replaced for a scheduled fee.

For how to remove the hard disk password, see “How to remove the hard disk password” on page 32.

Supervisor password

The supervisor password protects the system information stored in the ThinkPad Setup program. It provides the following security features:

- If only a supervisor password is set, a password prompt is displayed when you try to start the ThinkPad Setup program. Unauthorized users cannot change most of the system configuration options in the ThinkPad Setup program without the password.
- The system administrator can use the supervisor password to access a computer even if the user of that computer has set a power-on password. The supervisor password overrides the power-on password.
- The system administrator can set the same supervisor password on many ThinkPad notebook computers to make administration easier.

Attention: If the supervisor password has been forgotten and cannot be made available to the service technician, there is no service procedure to reset the password. The system board must be replaced for a scheduled fee.

How to remove the power-on password

To remove a power-on password, do the following:

If no supervisor password has been set, do the following to remove the power-on password:

1. Turn off the computer and disconnect ac power.
2. Disable the built-in battery. See “Disabling the built-in battery” on page 60.
3. Remove the base cover assembly. See “1010 Base cover assembly” on page 61.
4. Remove the internal battery pack. See “1080 Battery” on page 68.
5. Remove the coin-cell battery. See “1050 Coin-cell battery” on page 65.
6. Reinstall the coin-cell battery.
7. Reinstall the internal battery pack.
8. Reinstall the base cover assembly.
9. Reconnect ac power.
10. Turn on the computer and wait until the POST ends. After the POST ends, the password prompt does not appear. The power-on password has been removed.

If a supervisor password has been set and is known to the service technician, do the following to remove the power-on password:

1. Turn on the computer.
2. When the ThinkPad logo is displayed, immediately press F1.
3. Type the supervisor password to enter the ThinkPad Setup program.
4. Select **Security**.
5. Select **Password**.
6. Select **Power-On Password**.
7. Type the current supervisor password in the **Enter Current Password** field. Then leave the **Enter New Password** field blank, and press Enter twice.
8. In the Changes have been saved window, press Enter.
9. Press F10 to save changes and exit the ThinkPad Setup program. The power-on password has been removed.

How to remove the hard disk password

Attention: If **User only** mode is selected and the user hard disk password has been forgotten and cannot be made available to the service technician, neither Lenovo nor Lenovo authorized service technicians provide any services to reset the user hard disk passwords, or to recover data from the hard disk drive. To put the system back to operational status, the only Lenovo and Lenovo-authorized service solution would be to replace the hard disk drive (HDD) or SSD with a scheduled fee.

To remove a user hard disk password that has been forgotten, when the supervisor password and master hard disk password are known, do the following:

1. Turn on the computer.
2. When the ThinkPad logo comes up, immediately press F1 to enter the ThinkPad Setup program. When the power-on password icon is displayed on the screen, enter either the power-on password or the supervisor password.
3. When the user hard disk password icon is displayed on the screen, press F1. The master hard disk password icon is displayed.
4. Enter the master hard disk password to enter the ThinkPad Setup program.
5. Select **Security**.
6. Select **Password**.

7. Select **Hard-disk x password**, where *x* is the letter of the hard disk drive. A pop-up window opens.
8. Select **Master hard disk password**.
9. Type the current master hard disk password in the **Enter Current Password** field. Then leave the **Enter New Password** field blank, and press Enter twice.
10. Press F10 to save changes and exit the ThinkPad Setup program. The user hard disk password and the master hard disk password have been removed.

Power management

Sleep mode

When the computer enters sleep mode, the following events occur in addition to what occurs in screen blank mode:

- The LCD is powered off.
- The storage drive is powered off.
- The microprocessor stops.

To enter sleep mode, press Fn+4 or open the Start menu and click  **Power**, and then click **Sleep**.

In certain circumstances, the computer goes into sleep mode automatically:

- After a period of inactivity specified in power plan settings
- When the battery power is low

To resume the computer from sleep mode, press the power button.

Also, in either of the following events, the computer automatically returns from sleep mode and resumes operation:

- The ring indicator (RI) is signaled by a serial device or a PC Card device.
- The time set on the resume timer elapses.

Note: The computer does not accept any input immediately after it enters sleep mode. Wait a few seconds before taking any action to reenter operation mode.

Hibernation mode

In hibernation mode, the following occurs:

- The system status, RAM, VRAM, and setup data are stored on the hard disk.
- The system is powered off.

Note: If the computer enters the hibernation mode while it is docked to the docking station, do not undock it before resuming normal operation. If you do undock it and then try to resume normal operation, you will get an error message, and you will have to restart the system.

If you have defined one of the following actions as the event that causes the system to go into hibernation mode, perform that action.

- Closing the lid.
- Pressing the power button.

Also, the computer goes into hibernation mode automatically after a period of inactivity specified in power plan settings.

When the power is turned on, the computer returns from hibernation mode and resumes operation. The hibernation file in the boot record on the hard disk drive is read, and system status is restored from the hard disk drive.

Symptom-to-FRU index

This section contains following information:

- “Numeric error codes” on page 34
- “Error messages” on page 35
- “Beep symptoms” on page 35
- “No-beep symptoms” on page 37
- “LCD-related symptoms” on page 37
- “Intermittent problems” on page 37
- “Undetermined problems” on page 38

The symptom-to-FRU index in this section lists symptoms and errors and their possible causes. The most likely cause is listed first, in boldface type.

Note: Do the FRU replacement or other actions in the sequence shown in the column headed “FRU or action, in sequence.” If replacing a FRU does not solve the problem, put the original part back in the computer. Do not replace a nondefective FRU.

This index can also help you determine, during regular servicing, what FRUs are likely to need to be replaced next.

A numeric error is displayed for each error detected in POST or system operation. In the displays, **n** can be any number.

If no numeric code is displayed, check the narrative descriptions of symptoms. If the symptom is not described there, go to “Intermittent problems” on page 37.

Note: For a device not supported by diagnostic codes in the ThinkPad notebook computers, see the manual for that device.

Numeric error codes

Table 1. Numeric error codes

Symptom or error	FRU or action, in sequence
0177 Bad SVP data, stop POST task—The checksum of the supervisor password in the EEPROM is not correct.	System board
0183 Bad CRC of Security Settings in EFI Variable. Enter the ThinkPad Setup program.	1. Run the ThinkPad Setup program, and then save current setting by pressing F10. 2. System board
0187 EAIA data access error—The access to EEPROM is failed.	System board
0188 Invalid RFID Serialization Information Area.	System board
0189 Invalid RFID configuration information area—The EEPROM checksum is not correct.	System board
0190 Critical low-battery error	1. Charge the battery. 2. Battery

Table 1. Numeric error codes (continued)

Symptom or error	FRU or action, in sequence
0191 System Security—Invalid Remote Change requested.	<ol style="list-style-type: none"> 1. Run the ThinkPad Setup program, and then save current setting by pressing F10. 2. System board
0199 System Security— Security password retry count exceeded.	<ol style="list-style-type: none"> 1. Run the ThinkPad Setup program, and then save the current setting by pressing F10. 2. System board
0270 Real Time Clock Error— System Real Time Clock is not functional.	<ol style="list-style-type: none"> 1. Run ThinkPad Setup to reset the time and date 2. Replace the coin-cell battery and run ThinkPad Setup to reset the time and date.
0271 Check Date and Time settings— Neither the date nor the time is set in the computer.	<ol style="list-style-type: none"> 1. Run ThinkPad Setup to reset the time and date 2. Replace the coin-cell battery and run ThinkPad Setup to reset the time and date.
1802 Unauthorized network card is plugged in—Turn off and remove the network card.	<ol style="list-style-type: none"> 1. Remove wireless network card. 2. System board
1820 More than one external fingerprint reader is attached. Power off and remove all but the reader that you set up within your main operating system.	Remove all but the reader that you set up for the authentication.
2100/2101/2102 Detection error on storage device (M.2)	<ol style="list-style-type: none"> 1. Reseat the M.2 solid-state drive. 2. Main M.2 solid-state drive 3. System board
2111 Read error on SSD1 (M.2)	<ol style="list-style-type: none"> 1. Reseat the M.2 solid-state drive. 2. Main M.2 solid-state drive 3. System board
2112 Read error on SSD2 (M.2)	<ol style="list-style-type: none"> 1. Reseat the M.2 solid-state drive. 2. Main M.2 solid-state drive 3. System board
2200 Machine Type and Serial Number are invalid.	System board
2201 Machine UUID is invalid	System board

Error messages

Table 2. Error messages

Symptom or error	FRU or action, in sequence
Fan error	<ol style="list-style-type: none"> 1. Fan 2. Thermal grease 3. System board
Thermal sensing error	System board

Beep symptoms

Lenovo SmartBeep technology enables you to decode beep errors with your smartphone when a black screen occurs with beeps from your computer. To decode the beep error with Lenovo SmartBeep technology, do the following:

1. Go to <https://support.lenovo.com/smartbeep> or scan the following QR Code.



2. Download the proper diagnostic app and install it on your smartphone.
3. Run the diagnostic app and place the smartphone near the computer.
4. Press the Fn key on your computer to emit the beep again. The diagnostic app decodes the beep error and shows possible solutions on the smartphone.

The following section describes some beep errors and the corresponding solutions.

Note: Do not attempt to service a product yourself unless instructed to do so by the Customer Support Center or product documentation. Only use a Lenovo-authorized service provider to repair your product.

Error codes	Solutions
0001: Reset error (platform reset not de-asserted)	<ol style="list-style-type: none">1. Remove all power resources (the ac power adapter, removable battery, and coin-cell battery). If your computer has a built-in battery, reset the computer by inserting a straightened paper clip into the emergency-reset hole. Wait for one minute. Then reconnect all power resources.2. Replace the system board (service provider only).
0002: Internal bus error	Replace the system board (service provider only).
0281: General embedded controller error	Replace the system board (service provider only).
0282: Memory module error	<ol style="list-style-type: none">1. Reinstall or replace the memory module.2. Replace the system board (service provider only).
0283: PCI resource error	<ol style="list-style-type: none">1. Remove PCIe devices (the M.2 card, PCIe card, and so on) (service provider only).2. Replace the system board (service provider only).
0284: TCG-compliant functionality-related error (might be the BIOS code validation failure)	Replace the system board (service provider only).
0285: TCG-compliant functionality-related error (might be the TPM initialization failure)	Replace the system board (service provider only).
0286: Integrated graphics error	Replace the system board (service provider only).
0287: Discrete graphics error	<ol style="list-style-type: none">1. Reinstall or replace the discrete graphics card (service provider only).2. Replace the system board (service provider only).
0288: Computer display error	<ol style="list-style-type: none">1. Reconnect the display cable on both the system board side and the computer display side (service provider only).2. Replace the system board (service provider only).

No-beep symptoms

Table 3. No-beep symptoms

Symptom or error	FRU or action, in sequence
No beep, system-status indicator on, LCD blank, and no POST.	<ol style="list-style-type: none"> 1. Ensure that every connector is connected tightly and correctly. 2. Reseat the memory module. 3. Replace the system board.
No beep, system-status indicator on, and LCD blank during POST.	<p>Reseat the memory module.</p> <p>Replace the system board.</p>
The power-on password prompt appears.	A power-on password or a supervisor password is set. Type the password and press Enter .
The hard-disk password prompt appears.	A hard-disk password is set. Type the password and press Enter .

LCD-related symptoms

Important: The TFT LCD for the notebook computer contains many thin-film transistors (TFTs). The presence of a small number of dots that are missing, discolored, or always lighted is characteristic of TFT LCD technology, but excessive pixel problems can cause viewing concerns. If the LCD you are servicing has two or less visible defective pixels, it should not be considered faulty. However, if the LCD has three or more visible defective pixels, it will be deemed as defective by Lenovo and it should be replaced.

Notes:

- This policy applies to all ThinkPad notebooks purchased on 1 January, 2008 or later.
- Lenovo will not provide warranty replacement if the LCD is within specifications because we cannot guarantee that any replacement LCD will have zero pixel defects.
- One pixel consists of R, G, B sub-pixels.

Table 4. LCD-related symptoms

Symptom or error	FRU or action, in sequence
No beep, power-on indicator on, and a blank LCD during POST.	Replace the system board.
<ul style="list-style-type: none"> • LCD backlight not working. • LCD too dark. • LCD brightness cannot be adjusted. • LCD contrast cannot be adjusted. 	<ol style="list-style-type: none"> 1. Reseat the LCD connectors. 2. Replace the LCD assembly. 3. Replace the system board.
<ul style="list-style-type: none"> • LCD screen unreadable. • Characters missing pixels. • Screen abnormal. • Wrong color displayed. 	<ol style="list-style-type: none"> 1. See important note for “LCD-related symptoms.” 2. Reseat the LCD connectors. 3. Replace the LCD assembly. 4. Replace the system board.
Horizontal or vertical lines displayed on LCD.	Replace the LCD assembly.

Intermittent problems

Intermittent system hang problems can be due to a variety of causes that have nothing to do with a hardware defect, such as cosmic radiation, electrostatic discharge, or software errors. FRU replacement should be considered only when a problem recurs.

When analyzing an intermittent problem, do the following:

1. Run the diagnostic test for the system board in loop mode **at least 10 times**.

2. If no error is detected, do not replace any FRUs.
3. If any error is detected, replace the FRU shown by the FRU code. Rerun the test to verify that no more errors exist.

Undetermined problems

If the diagnostic tests did not identify the adapter or device that has failed, if wrong devices are installed, or if the system simply is not operating, follow these procedures to isolate the failing FRU (do not isolate FRUs that have no defects).

Verify that all attached devices are supported by the computer.

Verify that the power supply being used at the time of the failure is operating correctly. See “Power system checkout” on page 26.

1. Turn off the computer.
2. Visually check each FRU for damage. Replace any damaged FRU.
3. Remove or disconnect all of the following devices:
 - a. Non-ThinkPad devices
 - b. Printer, mouse, and other external devices
 - c. External diskette drive or optical drive
 - d. Wireless cards
4. Turn on the computer.
5. Determine whether the problem has been solved.
6. If the problem does not recur, reconnect the removed devices one at a time until you find the failing FRU.
7. If the problem remains, replace the following FRUs one at a time (do not replace a nondefective FRU):
 - a. System board
 - b. LCD assembly

Chapter 5. YOGA Modes

The computer display can be opened to any angle within a range of up to 360 degrees as shown in the following illustration.



By rotating the display to different angle, your computer features the following four YOGA Modes. You can switch between different modes according to your preference and working convenience.



Notebook mode



Stand mode



Tent mode



Tablet mode

The X1 Yoga has an improved *rise-and-fall* keyboard mechanism that works with the four YOGA Modes.

- As you open the display into the Notebook mode, the keys are deployed, rising into the typing position.
- As you rotate the display further back into the Tent, Tablet, and Stand modes, the keys retract into the body of the computer, providing a flat surface to hold and protect the keyboard when not in use.

Because of this *rise-and-fall* mechanism, you might notice some additional resistance as you rotate the display among these four modes. You may also hear a sound as the keys are moving into and out of the typing position. Both the resistance and the sound are normal and reflect the *rise-and-fall* mechanism during the display rotation.

Chapter 6. Locations

This chapter introduces the locations of the hardware components on your computer.

Locating computer controls, connectors, and indicators

This topic introduces the locations of the computer controls, connectors, and indicators.

Front view



1 Ambient light sensor

3 Conventional camera

5 Multi-touch screen

7 TrackPoint® pointing stick

9 Trackpad

11 NFC label (available on some models)

2 Microphones

4 Infrared camera (available on some models)

6 Windows buttons (available on some models)

8 TrackPoint buttons

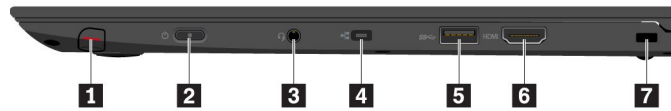
10 Fingerprint reader

Left-side view



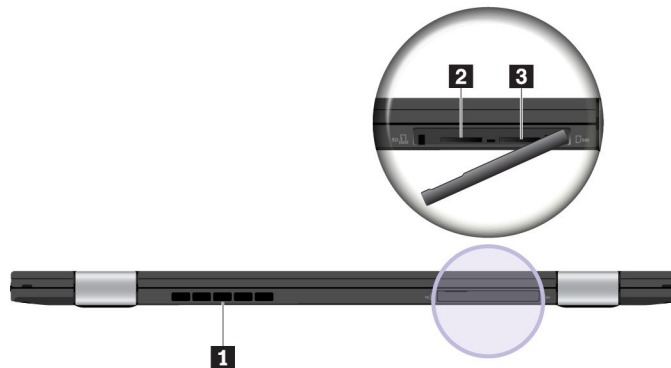
- 1** USB-C™ connectors (Thunderbolt™ 3 compatible) / power connectors
- 2** USB 3.0 connector
- 3** Always On USB 3.0 connector

Right-side view



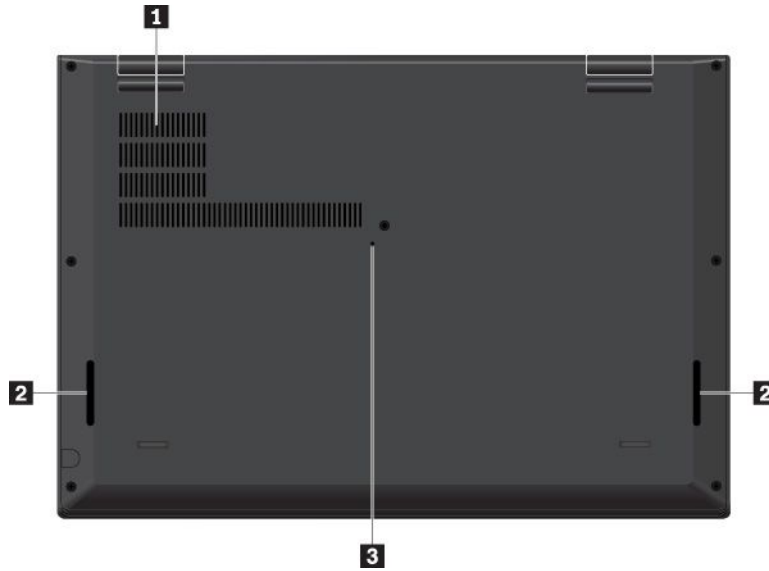
- 1** ThinkPad Pen Pro
- 2** Power button
- 3** Audio connector
- 4** Mini Ethernet connector
- 5** USB 3.0 connector
- 6** HDMI™ connector
- 7** Security-lock slot

Rear view



- 1** Fan louvers
- 2** MicroSD card slot
- 3** Micro-SIM-card slot

Bottom view

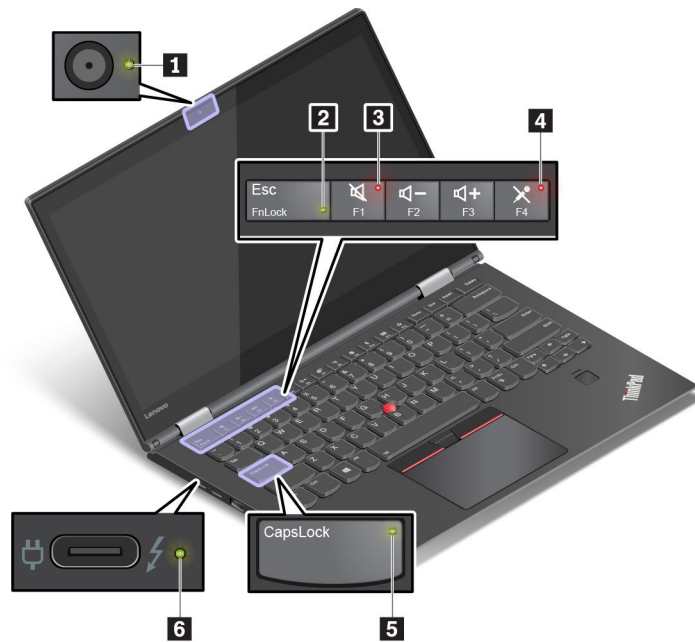


1 Fan louvers

2 Speakers

3 Emergency-reset hole

Status indicators



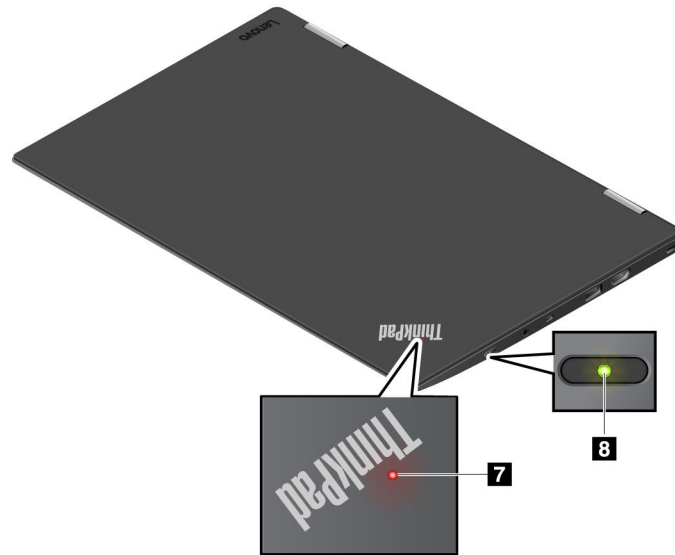


Table 5. Status indicators

Indicator	Meaning
1 Camera-status indicator	On: The camera is in use.
2 Fn Lock indicator	<p>Off: The Fn Lock function is disabled. To initiate the special function of each key, press the corresponding function key directly. To input F1- F12, press the Fn key and the corresponding function key.</p> <p>On: The Fn Lock function is enabled. To input F1- F12, press the corresponding function key directly. To initiate the special function of each key, press the Fn key and the corresponding function key.</p>
3 Speaker-mute indicator	On: The speakers are muted.
4 Microphone-mute indicator	On: The microphones are muted.
5 Caps Lock indicator	On: The Caps Lock mode is enabled. You can type all alphabetic characters (A-Z) in upper case directly.
6 ac power-status indicator	<p>This indicator shows the ac power and charging status of the computer.</p> <ul style="list-style-type: none"> • Green: connected to ac power (charging 90%–100%) • Amber: connected to ac power (charging 1%–90%) • Off: not connected to ac power (no charging)
7 8 System-status indicator	<ul style="list-style-type: none"> • Blinks for three times: The computer is initially connected to power. • On: The computer is on (in normal mode). • Off: The computer is off or in hibernation mode. • Blinks quickly: The computer is entering sleep or hibernation mode. • Blinks slowly: The computer is in sleep mode.

Locating FRUs and CRUs

This topic introduces the following service parts:

- “Major FRUs” on page 46
- “LCD FRUs” on page 48
- “Miscellaneous parts and other FRUs” on page 49
- “Connector and cable guide” on page 50

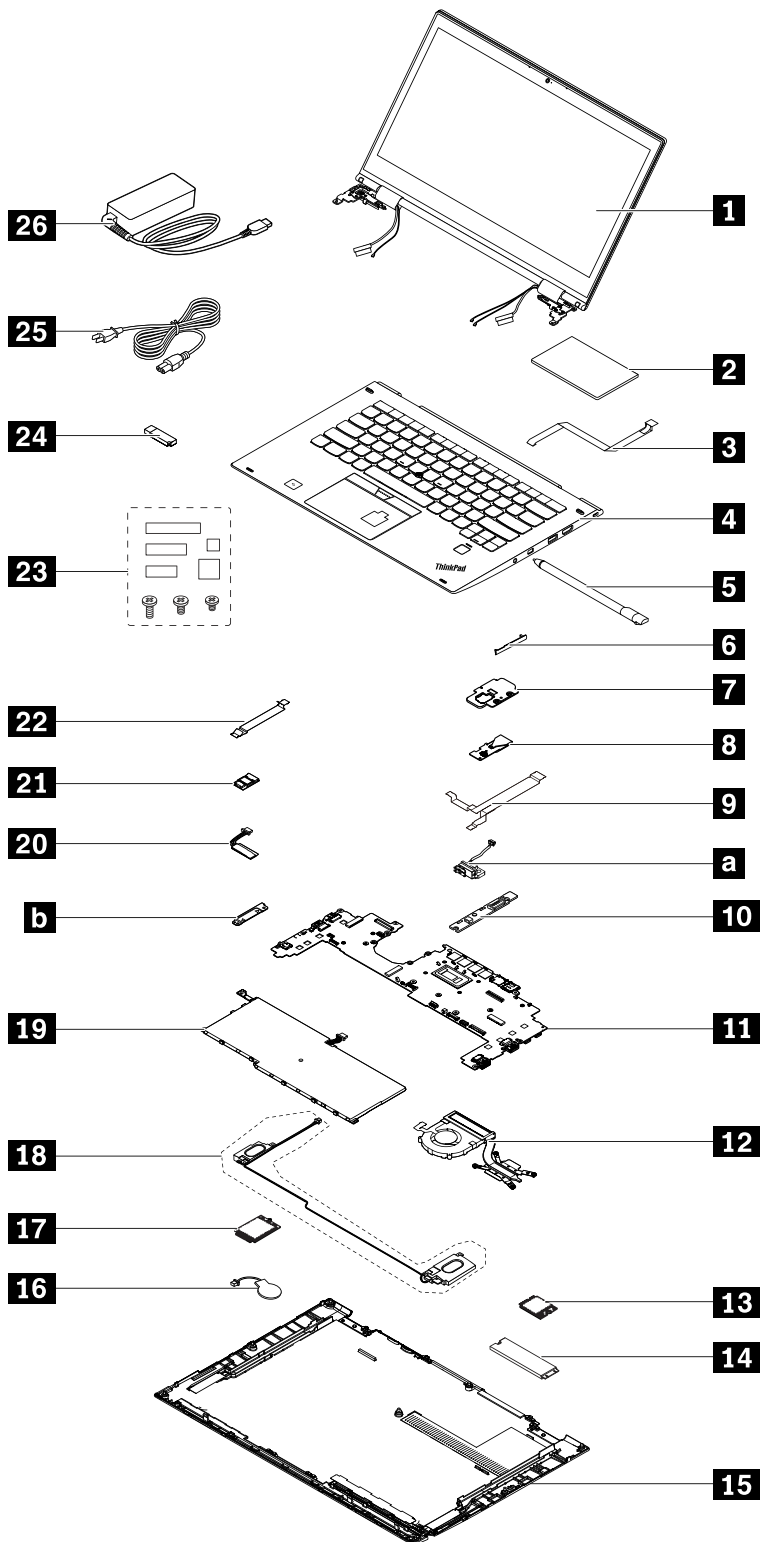
Notes:**• CRU statement for customers:**

You can resolve some problems with your product with a replacement part you can install yourself, called a “Customer Replaceable Unit” or “CRU.” Some CRUs are designated as self-service CRUs and others are designated as optional-service CRUs. *Installation of self-service CRUs is your responsibility. For optional-service CRUs, you can either install the CRU yourself or you can request that a Service Provider install the CRU according to the warranty service for your product.* If you intend on installing the CRU, Lenovo will ship the CRU to you. CRU information and replacement instructions are shipped with your product and are available from Lenovo at any time upon request. You can find a list of CRUs for your product in this *Hardware Maintenance Manual*. An electronic version of this manual can be found at <http://www.lenovo.com/support>. Click **Guides & Manuals** and then follow the on-screen instructions to find the manual for your product. You might be required to return the defective part that is replaced by the CRU. When return is required: (1) return instructions, a prepaid shipping label, and a container will be included with the replacement CRU; and (2) you might be charged for the replacement CRU if Lenovo does not receive the defective CRU within thirty (30) days of your receipt of the replacement CRU. See your Lenovo Limited Warranty documentation for full details.

ThinkPad computers contain the following types of CRUs:

- **Self-service CRUs:** Refer to parts that can be installed or replaced easily by customer themselves or by trained service technicians at an additional cost.
- **Optional-service CRUs:** Refer to parts that can be installed or replaced by customers with a greater skill level. Trained service technicians can also provide service to install or replace the parts under the type of warranty designated for the customer’s machine.
- FRUs: Refer to parts that must be installed or replaced only by trained service technicians. If customers choose to replace the FRUs by themselves, the product warranty might be affected.
- Each FRU/CRU is available for all types or models, unless otherwise specified.
- A Self-service CRU is identified by a single asterisk (*) in the CRU ID column. An Optional-service CRU is identified by two asterisks (**). An N in the CRU ID column means that the part is not a CRU.
- FRUs marked with **OP** are available as options.

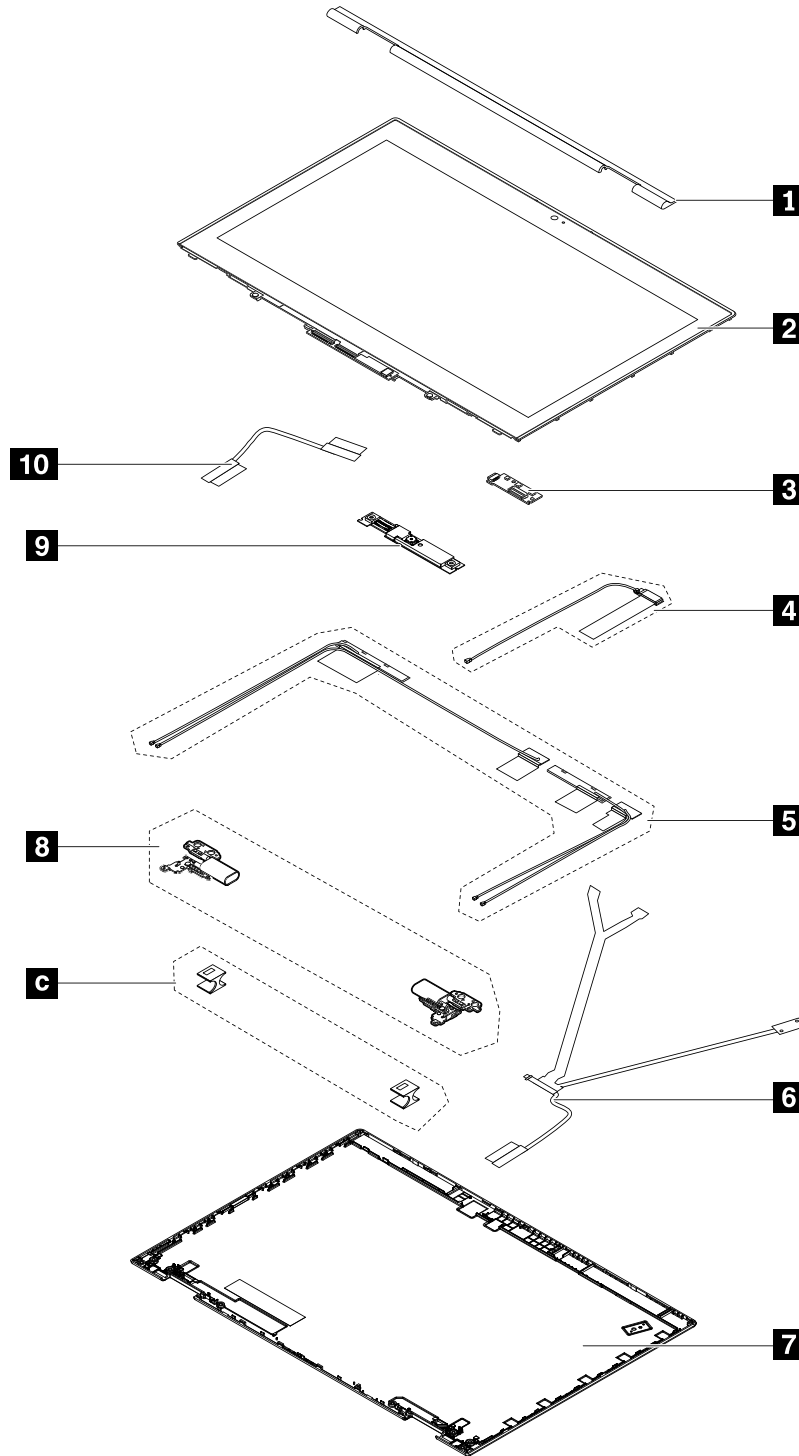
Major FRUs



No.	FRU descriptions	CRU ID
1	LCD unit (See "LCD FRUs" on page 48.)	N
2	Trackpad	N

No.	FRU descriptions	CRU ID
3	Trackpad cable (See “Miscellaneous parts and other FRUs” on page 49.)	N
4	Keyboard bezel assembly with keyboard	N
5	ThinkPad Pen Pro	*
6	Micro-SIM card door	*
7	Fingerprint reader bracket	N
8	Fingerprint reader card	N
9	Fingerprint reader cable (See “Miscellaneous parts and other FRUs” on page 49.)	N
a	Pen charger (See “Miscellaneous parts and other FRUs” on page 49.)	N
10	Power button card	**
11	System board	N
12	Thermal fan assembly	N
13	Wireless LAN (WLAN) card	**
14	M.2 SSD	*
15	Base cover assembly	*
16	Coin-cell battery	*
17	Wireless WAN (WWAN) card (available on some models)	**
18	Speaker assembly	**
19	Built-in battery	N
b	USB-C connector support bracket (See “Miscellaneous parts and other FRUs” on page 49.)	N
20	NFC antenna (available on some models)	N
21	NFC module (available on some models)	N
22	NFC cable (See “Miscellaneous parts and other FRUs” on page 49.)	N
23	Miscellaneous parts (See “Miscellaneous parts and other FRUs” on page 49.)	N
24	Recovery USB	N
25	Power cord	N
26	ac power adapter	N

LCD FRUs



No.	FRU descriptions	CRU ID
1	LCD stripe bezel	N
2	LCD panel assembly	N
3	Sensor card	N
4	WiGig cable (available on some models)	N

No.	FRU descriptions	CRU ID
5	Antenna kit	N
6	LED cable assembly	N
7	LCD rear cover assembly	N
a	Rubber cable holders (See “Miscellaneous parts and other FRUs” on page 49.)	N
8	Hinges	N
9	Camera/microphone card	N
10	LCD cable	N

Miscellaneous parts and other FRUs

FRU descriptions	Self-service CRU
Screw kit <ul style="list-style-type: none"> • M2.0 x L1.8, thick head, black (12) • M2.0 x L1.8, big flat head, black, for rising foot (6) • M2.0 x L2.0, huge flat head, black, for hinge (12) • M2.0 x L2.0, think flat head, silver, for trackpad (12) • M1.2 x L2.4, for base cover hook (24) • M2.0 x L2.5, small flat head, black (45) • M2.0 x L2.5, medium flat head, black, for system board (9) • M2.0 x L4.0, small flat head, black, for hinge (6) • M2.5 x L4.5, silver (6) • M2.0 x L5.0, flat head, black (30) 	N
Base cover miscellaneous kit <ul style="list-style-type: none"> • Hook on the base cover assembly (6) • NFC cable (1) • Fingerprint reader cable (1) • Trackpad cable (1) • Power button, black (1) • Power button, silver (1) • a Pen charger (1) • Rising rubber foot, black (2) • Rising rubber foot, silver (2) • Rising rubber foot for spring (2) 	N
System board miscellaneous kit <ul style="list-style-type: none"> • Theremal fan support bracket (1) • CPU support bracket (1) • Memory module sheild cover (1) • Memory module sheild cover for 2133MHz RAM (1) • M.2 SSD sheild cover (1) • b USB-C connector support bracket (1) • Appearance sheet for WLAN card and M.2 SSD (1) • Black tap to fix LCD cable (1) 	N

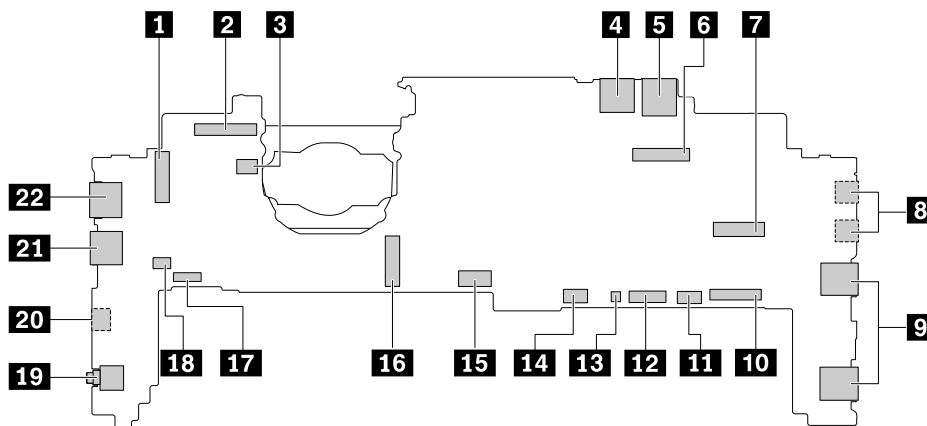
FRU descriptions	Self-service CRU
LCD miscellaneous kit <ul style="list-style-type: none"> • Magnet (1) • Microphone rubber (2) • c Hinge inner rubber (2) • Conductive tape for camera (2) • Conductive tape for sensor card (1) • Conductive tape for hinge (2) • Graphite sheet for WiGig (1) • Cu sheet for WiGig (1) • Camera cap (1) • Mylar adhesive tape for WiGig (1) • Conductive tap for the sensor card, narrow (1) 	N
OLED LCD miscellaneous kit <ul style="list-style-type: none"> • Magnet (1) • Microphone rubber (2) • c Hinge inner rubber (2) • Gasket on OLED rear cover (7) • Gasket on DC-DC card (1) • Sponge on OLED rear cover (top) (1) • Sponge on OLED rear cover (center) (1) • Sponge on OLED rear cover (bottom) (1) • Sponge on OLED camera card (1) • Conductive tape for camera (2) • Conductive tape for sensor card (1) • Conductive tape for hinge (2) • Camera cap (1) 	N
Label kit	N

Connector and cable guide

This section provides information for Lenovo authorized service technicians to help identify connectors and cables for replacement purpose. To view each FRU and the exploded illustration of the computer, see “Major FRUs” on page 46 and “LCD FRUs” on page 48.

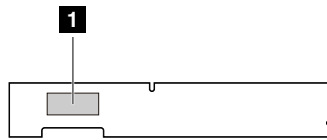
Note: Depending on your model, some connectors or cables might not be available.

System board connectors and cables



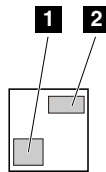
Item	Connector (location)	Internal cable required	Cable connection
1	WLAN card slot (internal)	No	Insert the WLAN card into this slot.
2	Camera/LED connector (internal)	Camera/LED cable assembly	Connect one end to the sensor card, one end to the camera card, and the other end to this connector.
3	Thermal fan connector (internal)	Thermal fan assembly with cable	The thermal fan assembly comes with cable. Connect the cable to this connector.
4	MicroSD card slot (external)	No	Insert a MicroSD card into this slot.
5	Micro-SIM-card slot (external)	No	Insert a micro SIM card into this slot.
6	LCD connector (internal)	LCD cable	Connect one end to the LCD panel assembly and the other end to this connector.
7	WWAN card connector (internal)	No	Insert a WWAN card into this slot.
8	USB-C connectors (external)	No	Connect USB-C devices or Thunderbolt 3 devices.
9	USB 3.0 connectors (external)	No	Connect USB-compatible devices.
10	Keyboard connector (internal)	Keyboard bezel assembly with cables	The keyboard assembly comes with cables. Connect the keyboard cable to this connector.
11	NFC connector (internal)	NFC cable	Connect one end to the NFC card and the other end to this connector.
12	TrackPoint connector (internal)	Keyboard bezel assembly with cables	The keyboard assembly comes with cables. Connect the TrackPoint cable to this connector.
13	Coin-cell battery connector (internal)	Coin-cell battery with cable	The coin-cell battery comes with a cable. Connect the cable to this connector.
14	Trackpad connector (internal)	Trackpad cable	Connect one end to the trackpad assembly and the other end to this connector.
15	Battery connector (internal)	Battery with cable	The built-in battery comes with a cable. Connect the cable to this connector.
16	M.2 SSD slot (internal)	No	Insert an M.2 SSD into this slot.
17	Fingerprint reader connector (internal)	Fingerprint reader cable	The fingerprint reader cable has three ends. Connect the fingerprint reader end to the fingerprint reader card, the power end to the power button card, and the other end to this connector.
18	Speaker connectors (internal)	Speaker assembly with cable	The speaker assembly comes with a cable. Connect the cable to this connector.
19	Audio connector (external)	No	Connect headphones or a headset to this connector.
20	Mini Ethernet connector (external)	No	Connect the Ethernet extension adapter to this connector.
21	USB 3.0 connector (external)	No	Connect USB-compatible devices.
22	HDMI connector (external)	No	Connect a compatible digital audio device or video monitor to this connector.

Camera/microphone card connector and cable



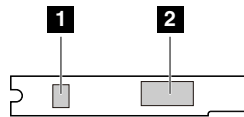
Item	Connector (location)	Internal cable required	Cable connection
1	Camera/LED connector	Camera/LED cable assembly	Connect one end to the system board, one end to the sensor card, and the other end to this connector.

NFC module connector and cable



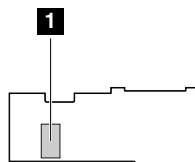
Item	Connector (location)	Internal cable required	Cable connection
1	NFC antenna connector	NFC antenna	Connect the NFC antenna to this connector.
2	NFC connector	NFC cable	Connect one end to the system board and the other end to this connector.

Power button card connector and cable



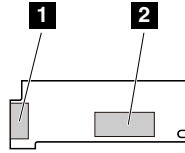
Item	Connector (location)	Internal cable required	Cable connection
1	Pen charger connector	Pen charger with cable	The pen charger comes with cable. Connect the cable to this connector.
1	Power-button-card connector	Fingerprint reader cable	The fingerprint reader cable has three ends. Connect the fingerprint reader end to the fingerprint reader card, the MB end to the system board, and the other end to this connector.

Fingerprint reader card connector and cable



Item	Connector (location)	Internal cable required	Cable connection
1	Fingerprint reader connector	Fingerprint reader cable	The fingerprint reader cable has three ends. Connect the MB end to the system board, the power end to the power button card, and the other end to this connector.

Sensor card connector and cable



Item	Connector (location)	Internal cable required	Cable connection
1	P-sensor connector	WWAN antenna kit	Connect one end of to the WWAN card and the other end to this connector.
2	Sensor card connector	Camera/LED cable assembly	Connect one end to the system board, one end to the camera card, and the other end to this connector.

Looking up FRU information

For detailed FRU information, including part numbers, descriptions, and substitution part numbers, go to <http://www.lenovo.com/serviceparts-lookup>.

Chapter 7. FRU replacement notices

This chapter presents notices related to removing and replacing parts. Read this chapter carefully before replacing any FRU.

CRU statement for customers:

You can resolve some problems with your product with a replacement part you can install yourself, called a “Customer Replaceable Unit” or “CRU.” Some CRUs are designated as self-service CRUs and others are designated as optional-service CRUs. *Installation of self-service CRUs is your responsibility. For optional-service CRUs, you can either install the CRU yourself or you can request that a Service Provider install the CRU according to the warranty service for your product.* If you intend on installing the CRU, Lenovo will ship the CRU to you. CRU information and replacement instructions are shipped with your product and are available from Lenovo at any time upon request. You can find a list of CRUs for your product in this *Hardware Maintenance Manual*. An electronic version of this manual can be found at <http://www.lenovo.com/support>. Click **Guides & Manuals** and then follow the on-screen instructions to find the manual for your product. You might be required to return the defective part that is replaced by the CRU. When return is required: (1) return instructions, a prepaid shipping label, and a container will be included with the replacement CRU; and (2) you might be charged for the replacement CRU if Lenovo does not receive the defective CRU within thirty (30) days of your receipt of the replacement CRU. See your Lenovo Limited Warranty documentation for full details.

Common service tools

Below is the list of common service tools that you might need while servicing the computer.

- Screwdriver kit
- 1/4" drive spinner handle
- 1/4" Sq. to 1/4" hex torx adapter
- TR7-TR-10 tamper resistant torx bits
- Removal tool antenna RF connector
- USB 2.0 CD-RW/DVD-ROM combo drive II
- USB cable
- USB Maintenance Key
- USB floppy diskette drive for maintenance diskette
- USB floppy diskette drive tool kit
- Test card for integrated Smart Card
- LENOVO ThinkPad Hardware Maintenance Diskette Version 1.76 or later

Note: Download the file from the following Web site:
<http://www.lenovo.com/support>

Screw notices

Loose screws can cause a reliability problem. In the ThinkPad notebook computer, this problem is addressed with special nylon-coated screws that have the following characteristics:

- They maintain tight connections.
- They do not easily come loose, even with shock or vibration.
- They are harder to tighten.

Do the following when you service this machine:

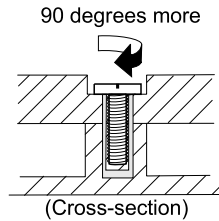
- Keep the screw kit in your tool bag. For the part number of the screw kit, go to <http://www.lenovo.com/serviceparts-lookup>.
- It is recommended to use new screws.

- It is recommended to use each screw only once.

Tighten screws as follows:

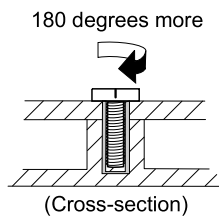
- **Plastic to plastic**

Turn an additional 90 degrees after the screw head touches the surface of the plastic part.



- **Logic card to plastic**

Turn an additional 180 degrees after the screw head touches the surface of the logic card.



Notes:

- Ensure that you use the correct screw. It is recommended to use new screws for replacements. If you have a torque screwdriver, tighten all screws firmly to the torque specified in the screw information table for each step.
- Ensure that torque screwdrivers are calibrated correctly following country specifications.

Retaining serial numbers

This section includes the following descriptions:

- “Restoring the serial number of the system unit” on page 56
- “Retaining the UUID” on page 57
- “Reading or writing the ECA information” on page 58

Restoring the serial number of the system unit

When the computer was manufactured, the EEPROM on the system board was loaded with the serial numbers of the system and all major components. These numbers need to remain the same throughout the life of the computer.

If you replace the system board, you must restore the serial number of the system unit to its original value.

The serial number of the system unit is written on the label attached to the bottom of the computer.

If you cannot find the serial number of the system unit on the bottom of the computer, try the following method to get the number:

Note: Before you perform the operation, ensure that the UEFI/Legacy setting within the **Startup** menu in the ThinkPad Setup program is set to **UEFI Only**.

1. Connect a USB memory key to the computer.

2. Go to <http://www.lenovo.com/maintenanceutilities> and follow the instructions on the screen to create a Maintenance Key.

Note: Only an authorized Lenovo service technician can access the above Web site.

3. Restart the computer.
4. When the logo is displayed, press Esc. The ThinkPad Config Information Update Utility interface is displayed.
5. Type 1 under **Enter the action desired**, then press Enter. The ThinkPad Serial Number Update Utility for Asset ID screen is displayed.
6. Type 2 under **Enter the action desired**, then press Enter. The serial number of each device in your computer is displayed; the serial number of the system unit is listed as follows:
20- Serial number
7. Record the serial number of the system unit.

After you replace the system board, do the following to restore the serial number of the system unit:

1. Connect the Maintenance Key to the computer.
2. When the logo is displayed, press Esc. The ThinkPad Config Information Update Utility interface is displayed.
3. Type 1 under **Enter the action desired**, then press Enter. The ThinkPad Serial Number Update Utility for Asset ID screen is displayed.
4. Type 1 under **Enter the action desired**, then press Enter. Then follow the instructions on the screen to restore the serial number of the system unit.

Retaining the UUID

The Universally Unique Identifier (UUID) is a 128-bit number uniquely assigned to your computer at production and stored in the EEPROM of your system board.

The algorithm that generates the number is designed to provide unique IDs until the year A.D. 3400. No two computers in the world have the same number.

When you replace the system board, perform the following steps to create a new UUID for the system board if the system board does not have a UUID:

Note: Before you perform the operation, ensure that the UEFI/Legacy setting within the **Startup** menu in the ThinkPad Setup program is set to **UEFI Only**.

1. Connect a USB memory key to the computer.
2. Go to <http://www.lenovo.com/maintenanceutilities> and follow the instructions on the screen to create a Maintenance Key.

Note: Only an authorized Lenovo service technician can access the above Web site.

3. Restart the computer.
4. When the logo screen is displayed, press Esc. The ThinkPad Config Information Update Utility interface is displayed.
5. Type 2 under **Enter the action desired**, then press Enter. The Auto UUID generation utility interface is displayed.
6. Type y under **Change UUID. OK? [Y/N]**, then press Enter. A new UUID is created and written. If a valid UUID already exists, it is not overwritten.

Reading or writing the ECA information

Information on Engineering Change Announcements (ECA) is stored in the EEPROM of the system board. The electronic storage of this information simplifies the procedure to check if the ECA has been previously applied to a machine. The machine does not need to be disassembled to check for the ECA application.

To check what ECAs have been previously applied to the machine, use the ECA Information Read/Write function on the USB Maintenance Key.

1. Insert the Maintenance Key and restart the computer.
2. From the main menu, select **6. Set ECA Information**.
3. To read the ECA information, select **2. Read ECA/rework number from EEPROM** and follow the instructions on the screen.
4. To read the box build date, select **5. Read box build date from EEPROM**, and follow the instruction on the screen.

After an ECA has been applied to the machine, the EEPROM must be updated to reflect the ECA's application. Use the Maintenance Key to update the EEPROM.

Note: Only the ECA number is stored in the EEPROM. The machine type of the ECA is assumed to be the same as the machine type of the machine that had the ECA applied to it.

1. Insert the Maintenance Key and restart the computer.
2. From the main menu, select **6. Set ECA Information**.
3. To write the ECA information, select **1. Write ECA/rework number from EEPROM**, and follow the instructions on the screen.
4. To write the box build date, select **4. Write box build date from EEPROM**, and follow the instruction on the screen.

If the system board is being replaced, try to read the ECA information from the old system board and transfer the information to the new system. If the system board is inoperable, this will not be possible.

Chapter 8. Removing or replacing a FRU

This chapter provides instructions on how to remove or replace a FRU.

CRU statement for customers:

You can resolve some problems with your product with a replacement part you can install yourself, called a “Customer Replaceable Unit” or “CRU.” Some CRUs are designated as self-service CRUs and others are designated as optional-service CRUs. *Installation of self-service CRUs is your responsibility. For optional-service CRUs, you can either install the CRU yourself or you can request that a Service Provider install the CRU according to the warranty service for your product.* If you intend on installing the CRU, Lenovo will ship the CRU to you. CRU information and replacement instructions are shipped with your product and are available from Lenovo at any time upon request. You can find a list of CRUs for your product in this *Hardware Maintenance Manual*. An electronic version of this manual is available for downloading at <http://www.lenovo.com/support>. You might be required to return the defective CRU. When return is required: (1) return instructions, a prepaid shipping label, and a container will be included with the replacement CRU; and (2) you might be charged for the replacement CRU if Lenovo does not receive the defective part within thirty (30) days of your receipt of the replacement CRU. See your Lenovo Limited Warranty documentation for full details.

General guidelines

When removing or replacing a FRU, be sure to observe the following general guidelines:

1. Do not try to service any computer unless you have been trained and certified. An untrained person runs the risk of damaging parts.
2. Before replacing any FRU, review Chapter 7 “FRU replacement notices” on page 55.
3. Begin by removing any FRUs that have to be removed before replacing the failing FRU. Any such FRUs are listed at the beginning of each FRU replacement section. Remove them in the order in which they are listed.
4. Follow the correct sequence in the steps for removing a FRU, as given in the drawings by the numbers in square callouts.
5. When turning a screw, turn it in the direction as given by the arrow in the drawing.
6. When removing a FRU, move it in the direction as given by the arrow in the drawing.
7. To put the new FRU in place, reverse the removal procedure and follow any notes that pertain to replacement.
8. When replacing a FRU, use the correct screws as shown in the replacement procedures.



DANGER

Before removing any FRU, turn off the computer, unplug all power cords from electrical outlets, disconnect any interconnecting cables, and then disable the built-in battery.

Attention: After replacing a FRU, do not turn on the computer until you have made sure that all screws, springs, and other small parts are in place and none are loose inside the computer. Verify this by shaking the computer gently and listening for rattling sounds. Metallic parts or metal flakes can cause electrical short circuits.

Attention: The system board is sensitive to, and can be damaged by, electrostatic discharge (ESD). Before touching it, establish personal grounding by touching a ground point with one hand or by using an ESD strap.

Before servicing the computer

Carefully read this topic before servicing the computer.

Removing external devices

Before you start servicing, ensure that you remove all external devices installed by the customer, such as MicroSD card, dock, and external display.

Disabling the built-in battery

Before replacing any FRU/CRU, ensure that you disable Fast Startup first and then disable the built-in battery.

To disable Fast Startup, do the following:

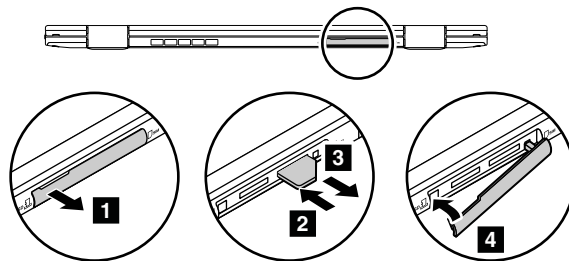
1. From the desktop, type `power option` in the search box on the taskbar, and select **Power Options**.
2. Click **Choose what the power buttons do** on the left pane.
3. Click **Change settings that are currently unavailable** at the top.
4. If prompted by User Account Control (UAC), click **Yes**.
5. Clear the **Turn on fast startup** check box, and then click **Save changes**.

To disable the built-in battery, do the following:

1. Turn off your computer and disconnect the ac power adapter and all cables from the computer.
2. Turn on your computer. When the logo screen is displayed, immediately press F1 to enter ThinkPad Setup.
3. Select **Config** → **Power**. The **Power** submenu is displayed.
4. Select **Disable built-in battery** and press Enter.
5. Select **Yes** in the Setup Confirmation window. The built-in battery is disabled and the computer turns off automatically. Wait three to five minutes to let the computer cool.

Removing the micro SIM card

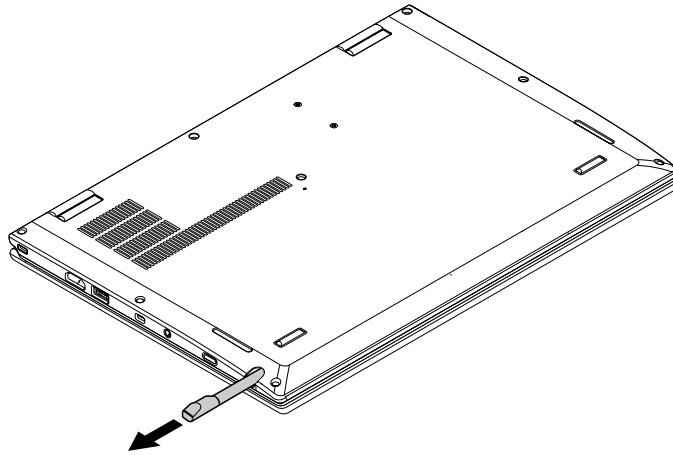
If the computer has a micro SIM card installed, remove the micro SIM card before you start the servicing.



After you finish the servicing, ensure that you install the micro SIM card (if available) back into the computer.

Removing ThinkPad Pen Pro

If the computer has a ThinkPad Pen Pro installed, remove the pen before you start servicing.

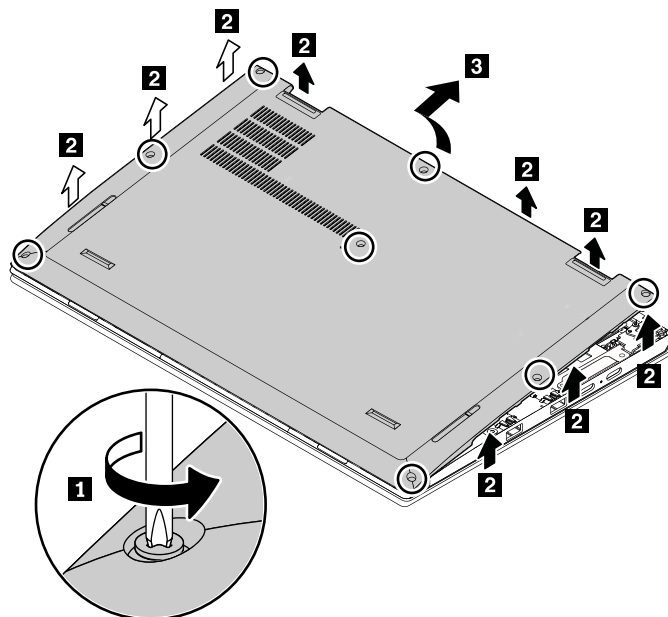


Removing a major FRU

This section provides instructions on how to remove a major FRU.

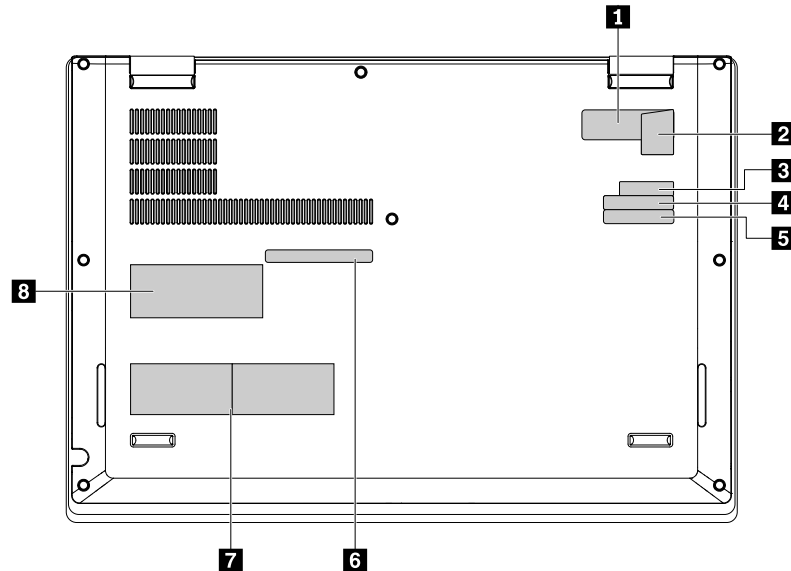
1010 Base cover assembly

Removal steps of the base cover assembly



Label locations on the base cover assembly

The following illustration shows the location of each label.



1 Certificate of Authenticity label

3 IMEI label

5 S/N label

7 Asset tag

2 Genuine Microsoft label

4 CECP label

6 FCC ID/IC label

8 Country label

1020 M.2 SSD

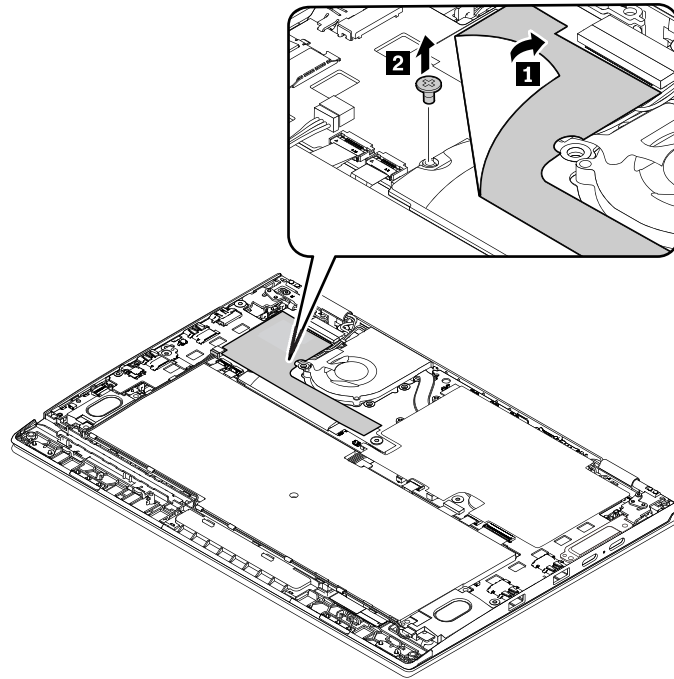
For access, remove this FRU:

- “1010 Base cover assembly” on page 61

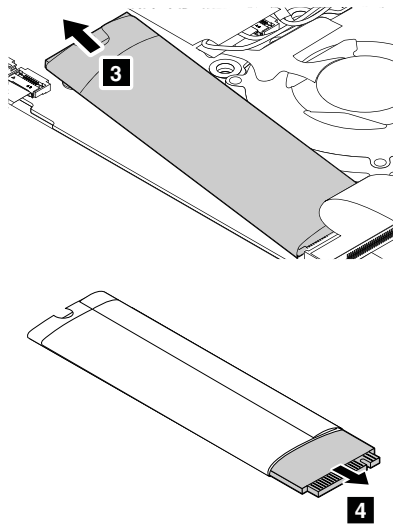
Attention:

- Do not drop the drive or apply any physical shock to it. The drive is sensitive to physical shock. Improper handling can cause damage and permanent loss of data.
- Before removing the drive, have the user make a backup copy of all the information on it if possible.
- Never remove the drive while the system is operating or in suspend mode.

Removal steps of the M.2 SSD



Step	Screw (quantity)	Color	Torque
2	M2 × L2.5 mm, flat-head, nylon-coated (1)	Black	0.181 Nm (1.85 kgf-cm)



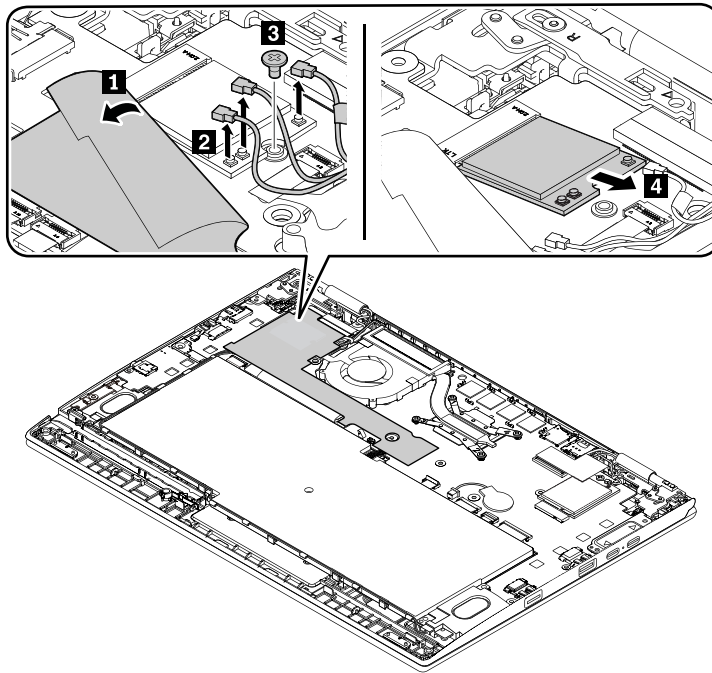
1030 WLAN card

Note: This information is only for the user-replaceable modules.

For access, remove this FRU:

- “1010 Base cover assembly” on page 61

Removal steps of the WLAN card



Note: The illustration is for WLAN card with WiGig function. For WLAN card without WiGig function, the card has only two antenna connectors.

Step	Screw (quantity)	Color	Torque
3	M2 × L2.5 mm, flat-head, nylon-coated (1)	Black	0.181 Nm (1.85 kgf-cm)

When installing: Plug the gray cable into the main connector and the black cable into the auxiliary connector. For WLAN card with WiGig function, also plug the WiGig cable into the 3rd connector on the card.

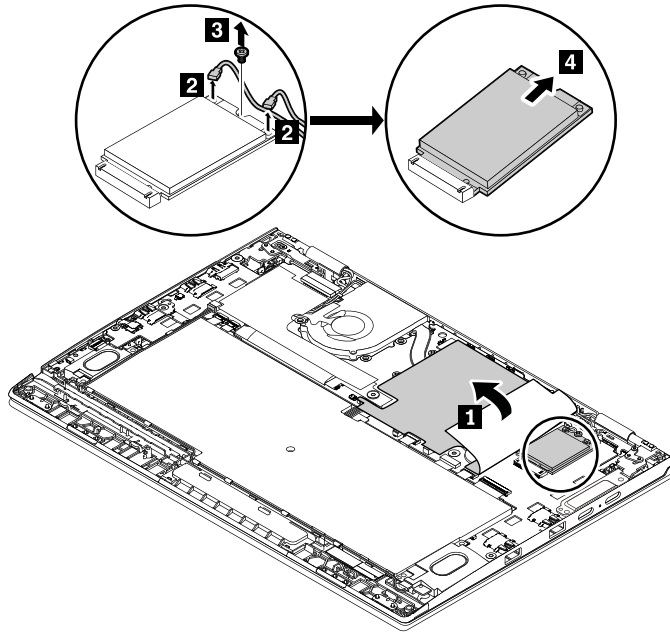
1040 WWAN card

Note: This information is only for the user-replaceable modules.

For access, remove this FRU:

- “1010 Base cover assembly” on page 61

Removal steps of the WWAN card



Step	Screw (quantity)	Color	Torque
3	M2 × L2.5 mm, flat-head, nylon-coated (1)	Black	0.181 Nm (1.85 kgf-cm)

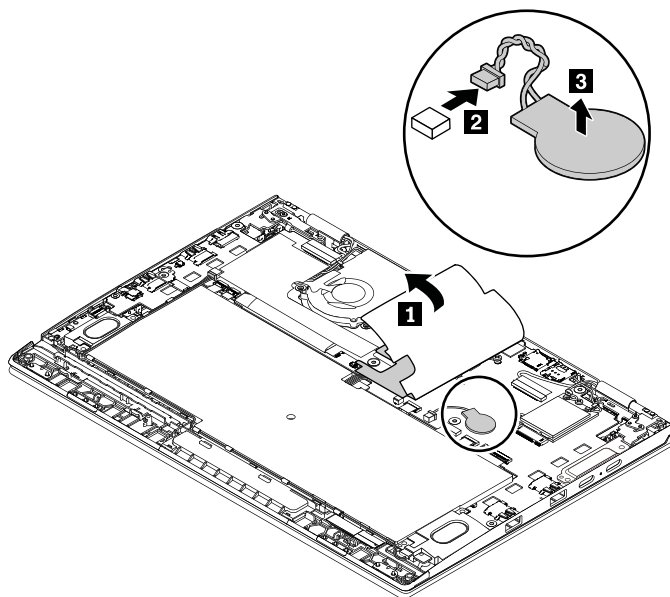
When installing: Plug the red cable into the main connector and the blue cable into the auxiliary connector.

1050 Coin-cell battery

For access, remove this FRU:

- “1010 Base cover assembly” on page 61

Removal steps of the coin-cell battery

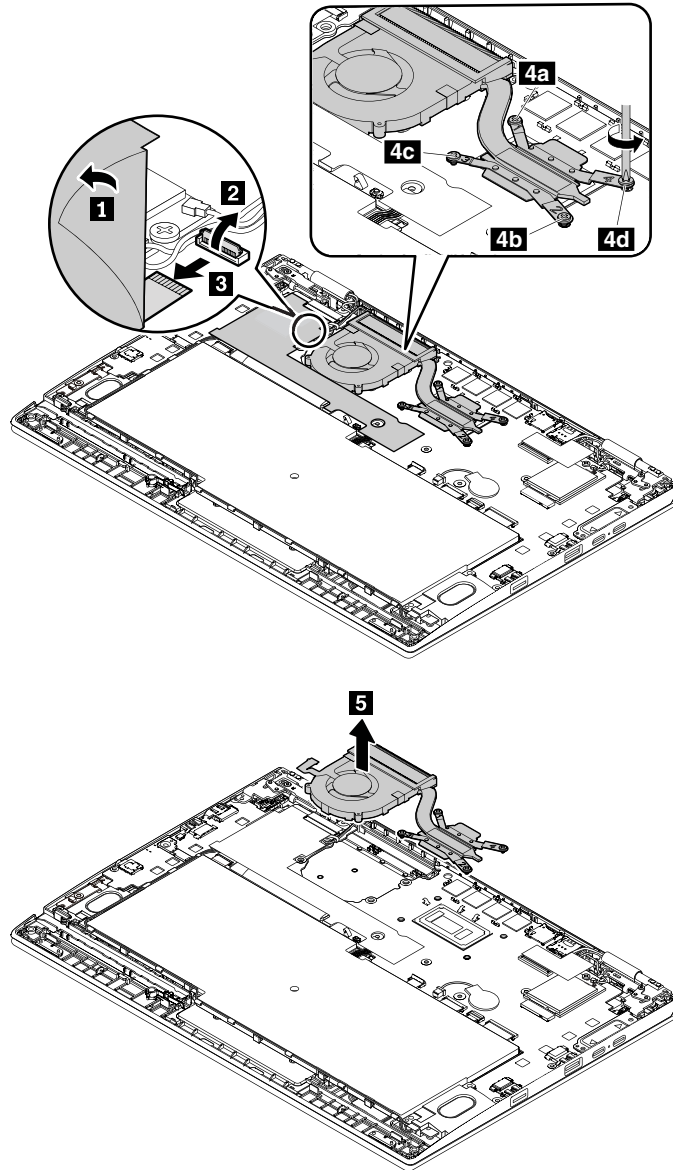


1060 Thermal fan assembly

For access, remove this FRU:

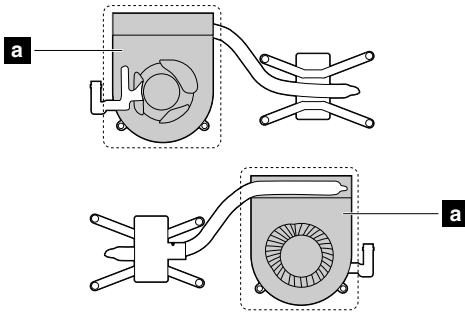
- “1010 Base cover assembly” on page 61

Removal steps of the thermal fan assembly



When installing:

- Do not touch the top and bottom areas marked **a** in the following illustration.



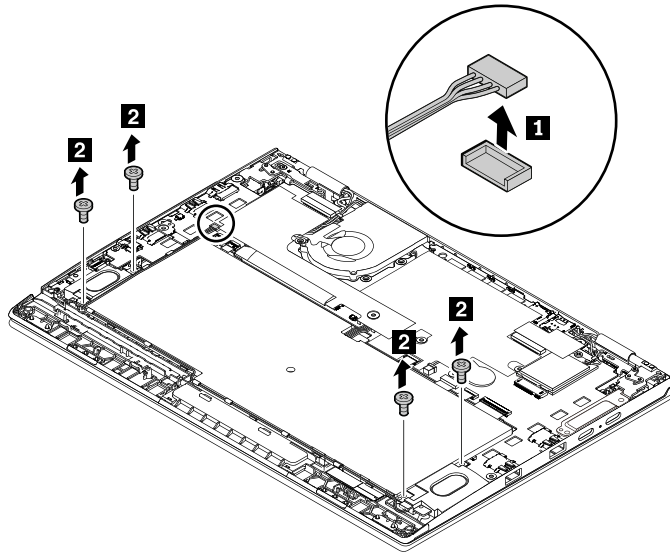
- Tighten the screws in ascending order by following the number marked beside each screw. Otherwise, the system board might get damaged.

1070 Speaker assembly

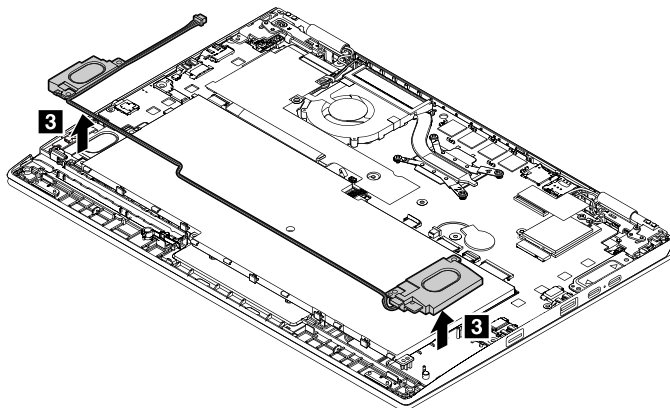
For access, remove this FRU:

- “1010 Base cover assembly” on page 61

Removal steps of the speaker assembly



Step	Screw (quantity)	Color	Torque
2	M2 × L5 mm, flat-head shoulder, nylon-coated (4)	Black	0.181 Nm (1.85 kgf-cm)



1080 Battery

Important notices for replacing a battery

Attention: Lenovo has no responsibility for the performance or safety of unauthorized batteries, and provides no warranties for failures or damage arising out of their use.

The Lenovo Solution Center program provides an automatic battery diagnostic test that determines if the battery is defective. A battery FRU should not be replaced unless this diagnostic test shows that the battery is defective. The only exception to this is if the battery is physically damaged or a customer is reporting a possible safety issue.

If the Lenovo Solution Center program is not installed on the computer, the customer should download and install the program to diagnose the battery, before getting a non-physically damaged battery replaced. Note that the replacement of a physically damaged battery is not covered by the warranty.

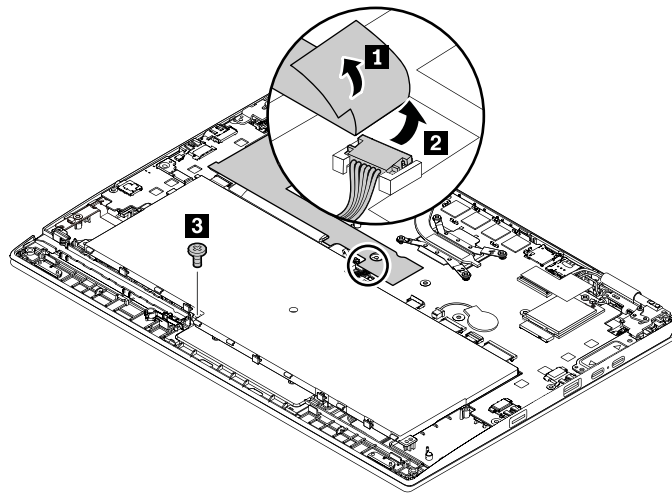
For access, remove this FRU:

- “1010 Base cover assembly” on page 61
- “1070 Speaker assembly” on page 67

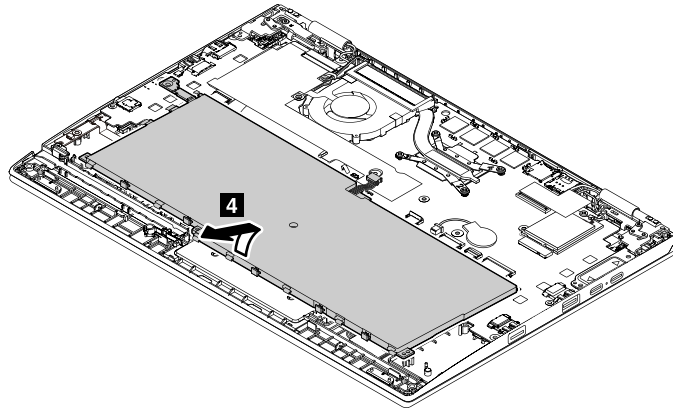
Removal steps of the battery



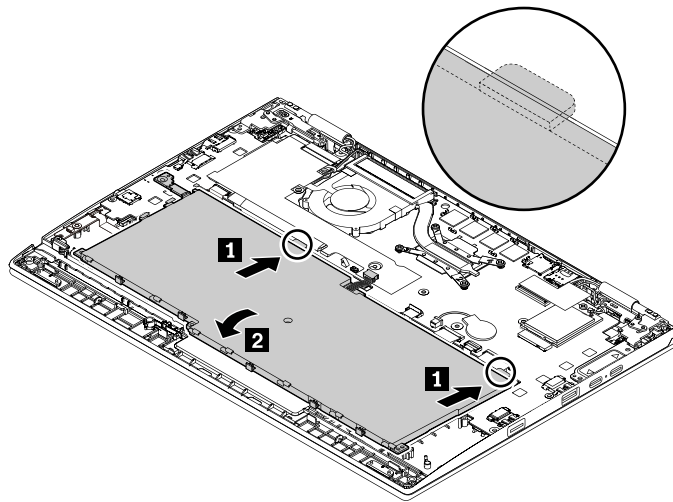
Use only the authorized battery specified for your computer. Any other battery could ignite or explode.



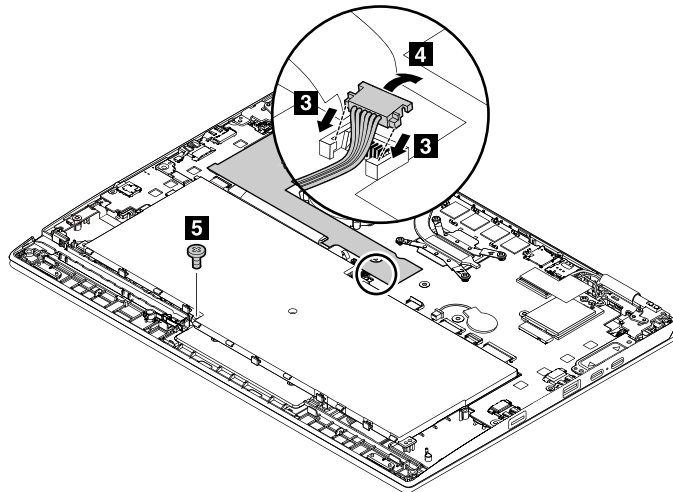
Step	Screw (quantity)	Color	Torque
3	M2 × L5 mm, flat-head, nylon-coated (1)	Black	0.181 Nm (1.85 kgf-cm)



Installing the battery



Note: Ensure that the two battery tabs are inserted underneath the system board.



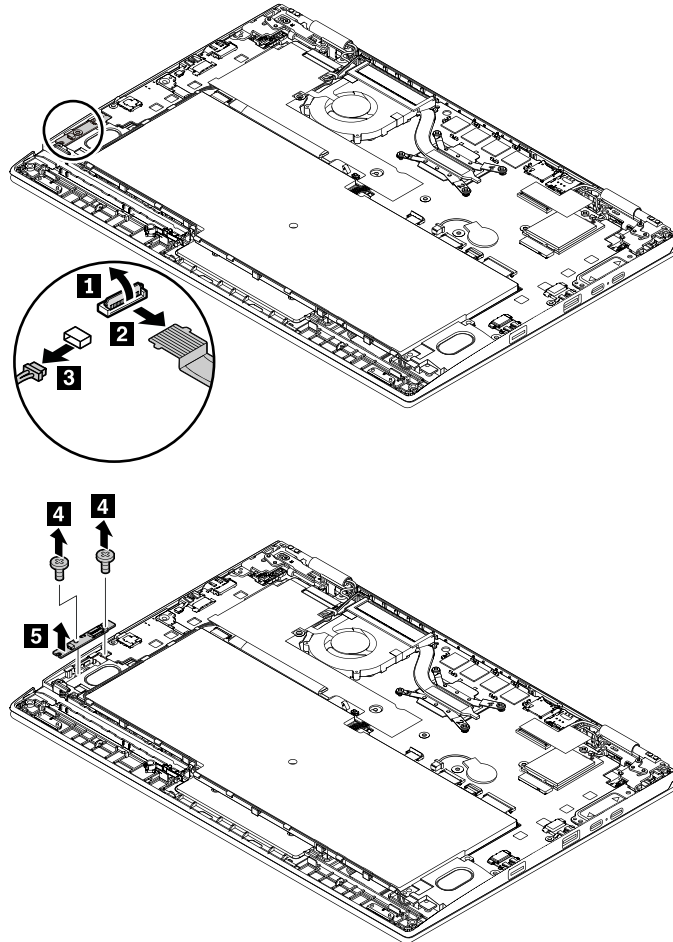
1090 Power button card and power-button-card cable

For access, remove these FRUs in order:

- “1010 Base cover assembly” on page 61
- “1020 M.2 SSD” on page 62

- “1030 WLAN card” on page 63
- “1040 WWAN card” on page 64
- “1050 Coin-cell battery” on page 65
- “1060 Thermal fan assembly” on page 66
- “1070 Speaker assembly” on page 67 “1080 Battery” on page 68
- “1140 System board assembly” on page 74

Removal steps of the power button card and the power-button-card cable



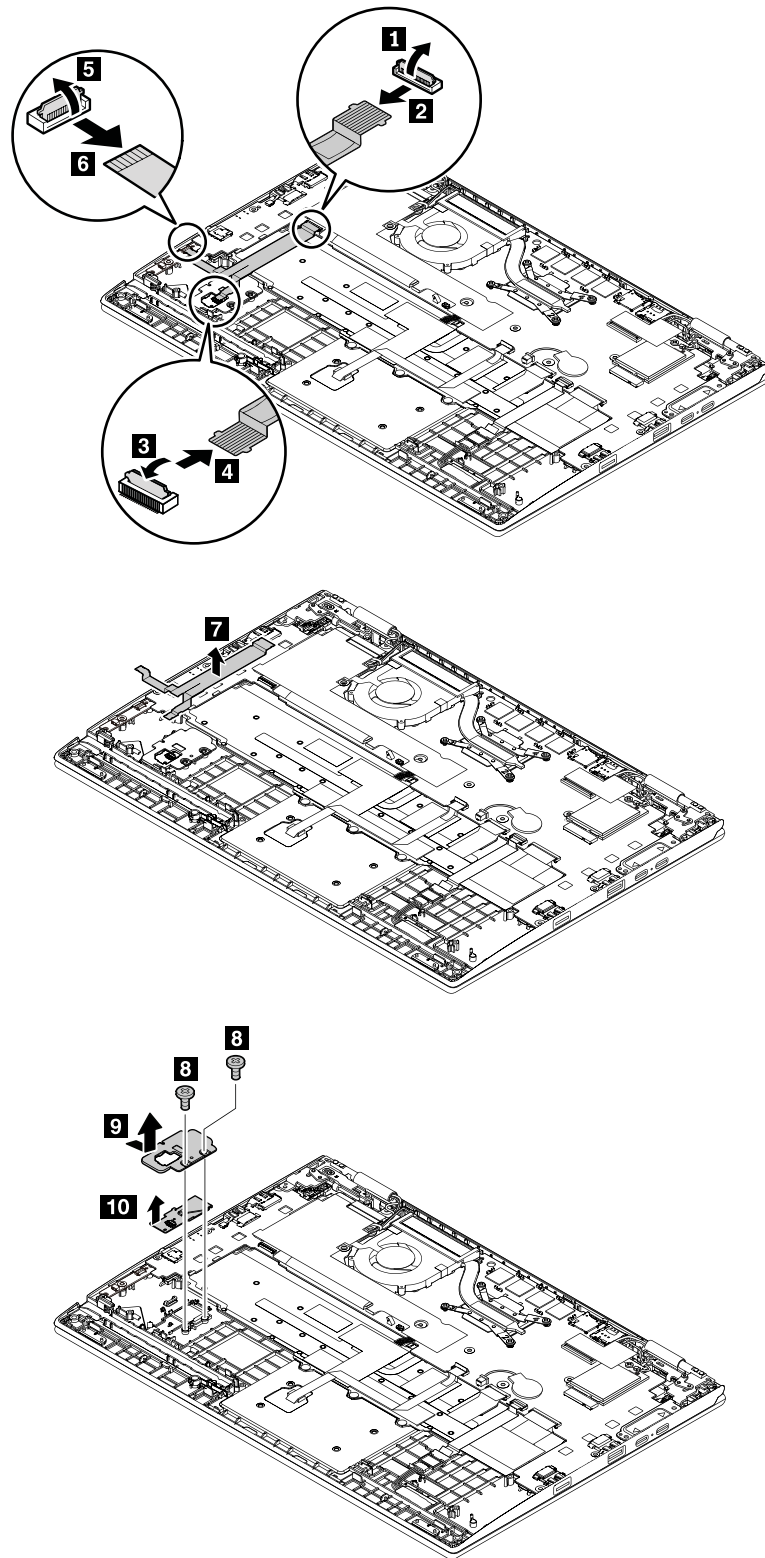
Step	Screw (quantity)	Color	Torque
4	M2 × L2.5 mm, flat-head, nylon-coated (2)	Black	0.181 Nm (1.85 kgf-cm)

1100 Fingerprint reader assembly and fingerprint reader cable

For access, remove these FRUs in order:

- “1010 Base cover assembly” on page 61
- “1070 Speaker assembly” on page 67
- “1080 Battery” on page 68

Removal steps of the fingerprint reader assembly and the fingerprint reader cable



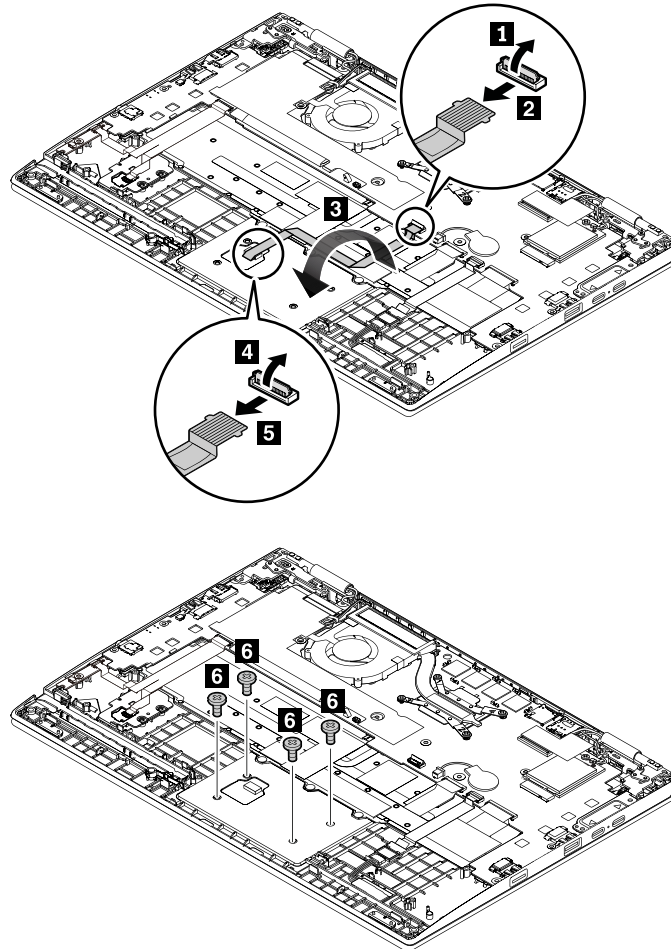
Step	Screw (quantity)	Color	Torque
8	M2 × L2.5 mm, flat-head, nylon-coated (2)	Black	0.181 Nm (1.85 kgf-cm)

1110 Trackpad cable, trackpad support bracket, and trackpad assembly

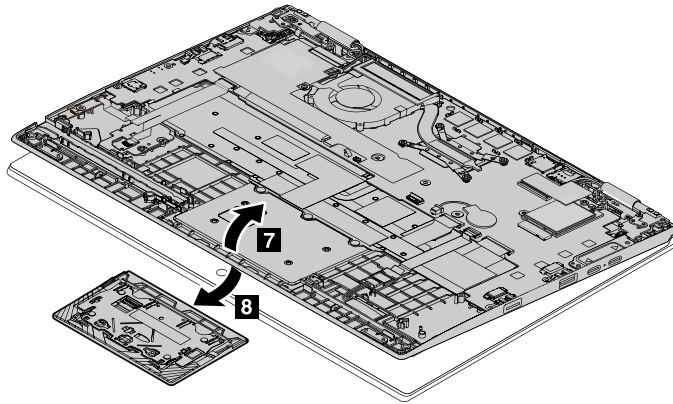
For access, remove this FRU:

- “1010 Base cover assembly” on page 61
- “1070 Speaker assembly” on page 67
- “1080 Battery” on page 68

Removal steps of the trackpad cable, trackpad support bracket, and trackpad assembly



Step	Screw (quantity)	Color	Torque
6	M2 × L2 mm, flat-head, nylon-coated (4)	Silver	0.181 Nm (1.85 kgf-cm)

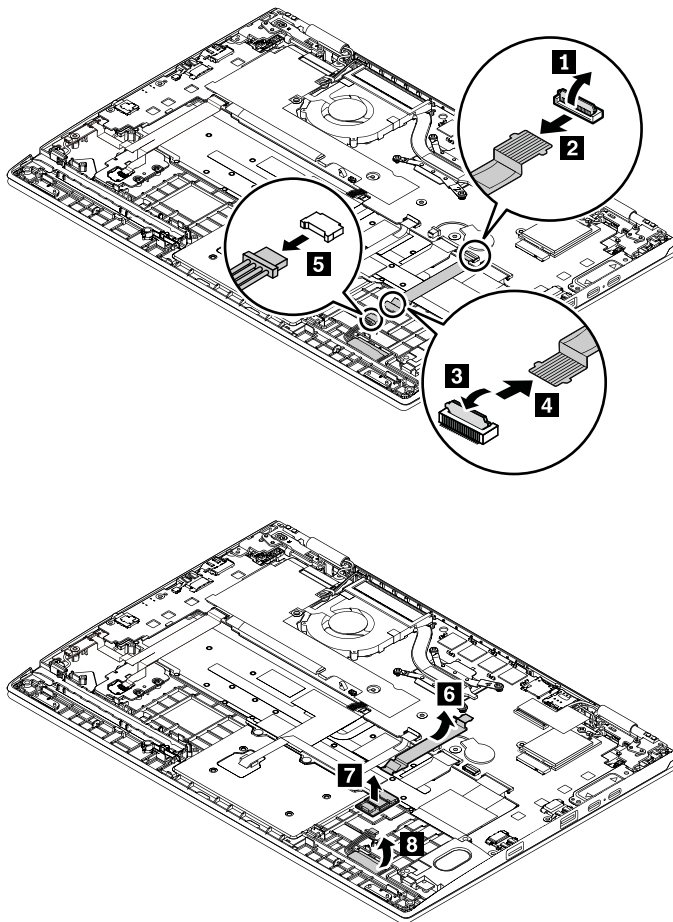


1120 NFC module, NFC cable, and NFC antenna

For access, remove this FRU:

- “1010 Base cover assembly” on page 61
- “1070 Speaker assembly” on page 67
- “1080 Battery” on page 68

Removal steps of the NFC module, the NFC cable, and the NFC antenna

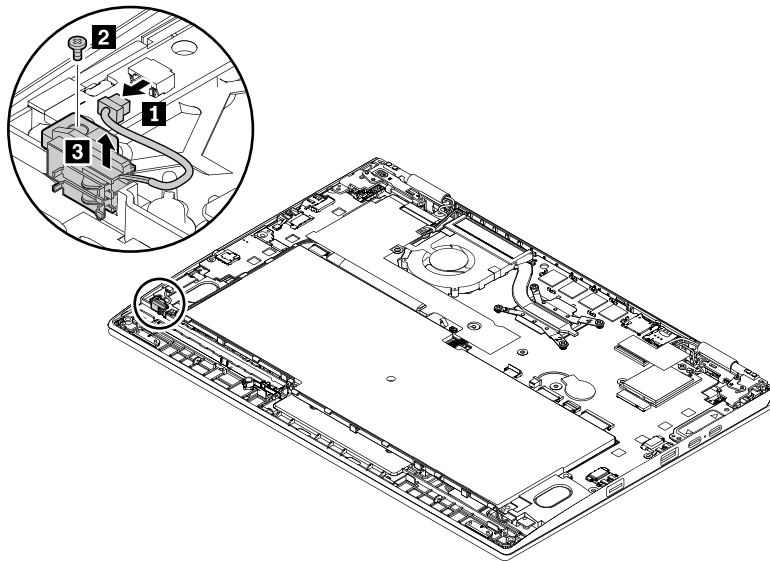


1130 Pen charger

For access, remove this FRU:

- “1010 Base cover assembly” on page 61
- “1070 Speaker assembly” on page 67

Removal steps of the pen charger



Step	Screw (quantity)	Color	Torque
2	M2 × L5 mm, flat-head, nylon-coated (1)	Black	0.181 Nm (1.85 kgf-cm)

1140 System board assembly

Important notices for handling the system board

When handling the system board, read the following:

- The system board has an accelerometer, which can be broken when several thousands of G-forces are applied.

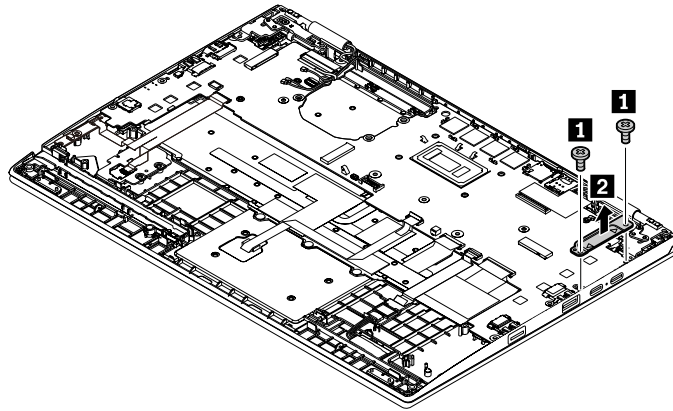
Note: Dropping a system board from a height of as little as six inches so that it falls flat on a hard bench can subject the accelerometer to as much as 6000 G's of shock.

- Be careful not to drop the system board on a bench top that has a hard surface, such as metal, wood, or composite.
- Avoid rough handling of any kind.
- At every point in the process, be sure not to drop or stack the system board.
- If you put a system board down, be sure to put it only on a padded surface such as an ESD mat or a corrugated conductive material.

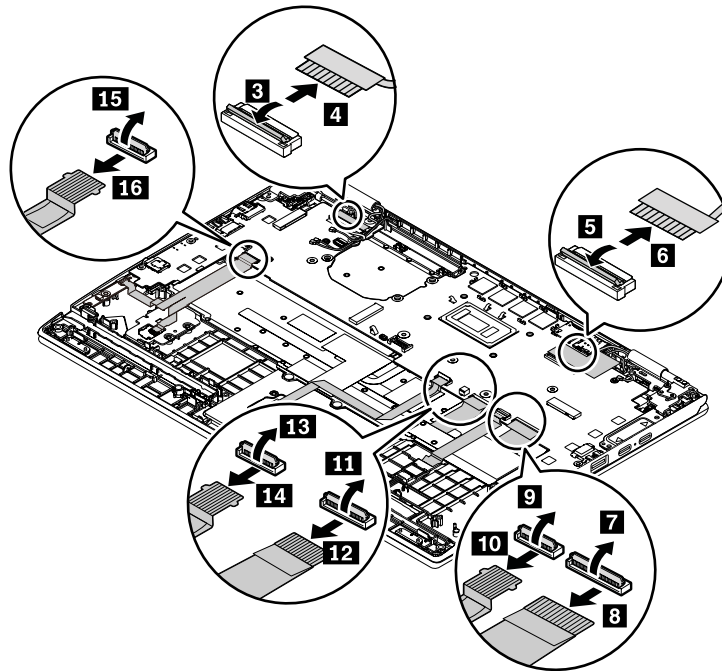
For access, remove these FRUs in order:

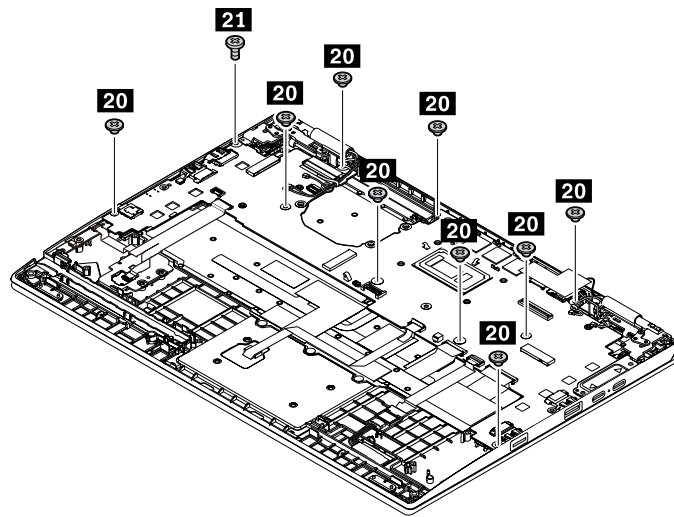
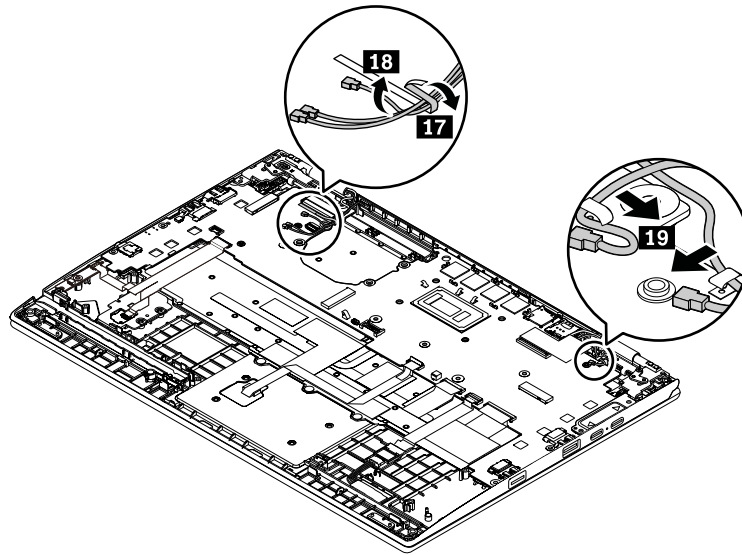
- “1010 Base cover assembly” on page 61
- “1020 M.2 SSD” on page 62
- “1030 WLAN card” on page 63
- “1040 WWAN card” on page 64
- “1050 Coin-cell battery” on page 65
- “1060 Thermal fan assembly” on page 66
- “1070 Speaker assembly” on page 67 “1080 Battery” on page 68

Removal steps of the system board assembly

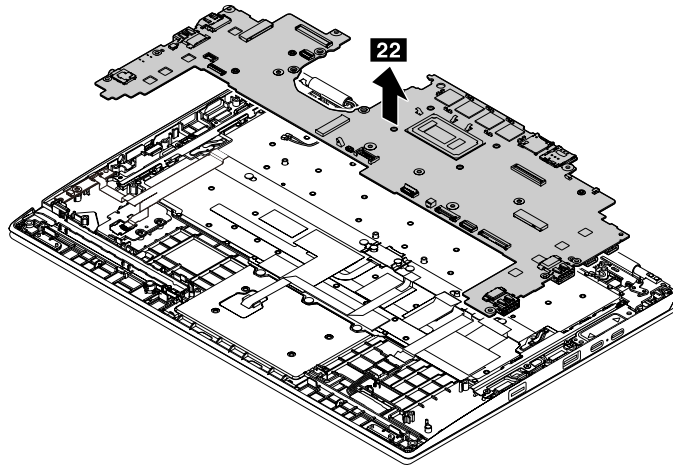


Step	Screw (quantity)	Color	Torque
1	M2 × L5 mm, flat-head, nylon-coated (2)	Black	0.181 Nm (1.85 kgf-cm)





Step	Screw (quantity)	Color	Torque
20	M2 × L2.5 mm, flat-head, nylon-coated (9)	Black	0.181 Nm (1.85 kgf-cm)
21	M2 × L5 mm, flat-head, nylon-coated (1)	Black	0.181 Nm (1.85 kgf-cm)

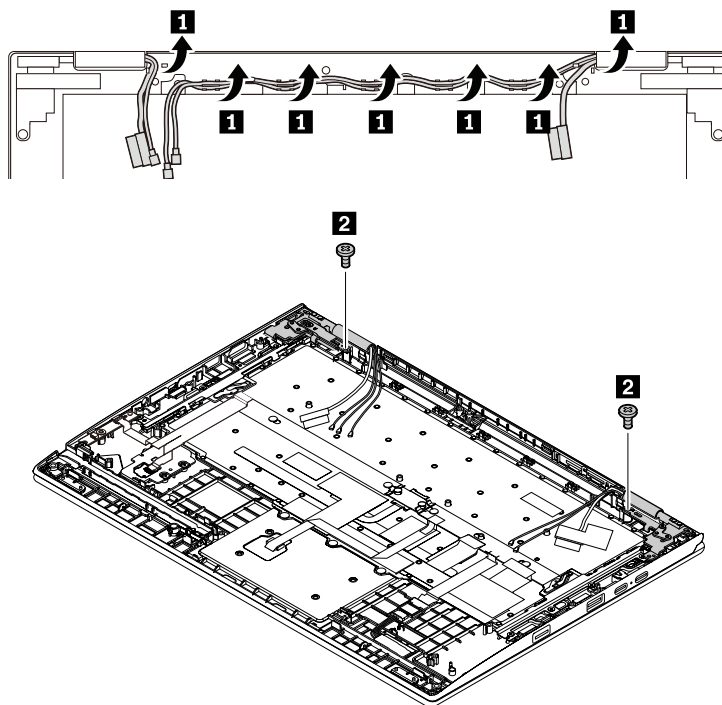


1150 LCD unit

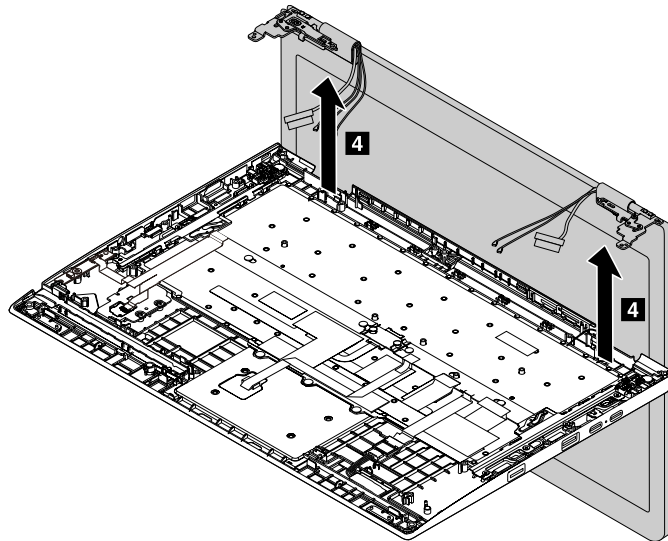
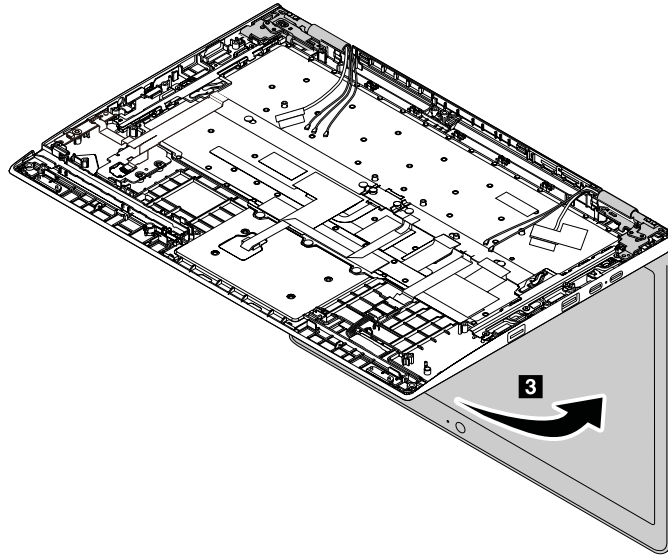
For access, remove these FRUs in order:

- “1010 Base cover assembly” on page 61
- “1070 Speaker assembly” on page 67 “1080 Battery” on page 68
- “1140 System board assembly” on page 74

Removal steps of the LCD unit



Step	Screw (quantity)	Color	Torque
2	M2.5 × L4.5 mm, flat-head, nylon-coated (2)	Silver	0.392 Nm (4.0 kgf-cm)



Removing an LCD FRU

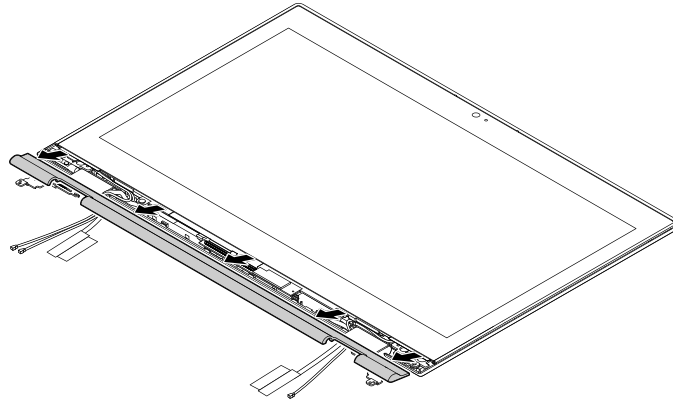
This section provides instructions on how to remove an LCD FRU.

2010 Stripe cover

For access, remove these FRUs in order:

- “1010 Base cover assembly” on page 61
- “1070 Speaker assembly” on page 67
- “1080 Battery” on page 68
- “1140 System board assembly” on page 74
- “1150 LCD unit” on page 77

Removal steps of the stripe cover

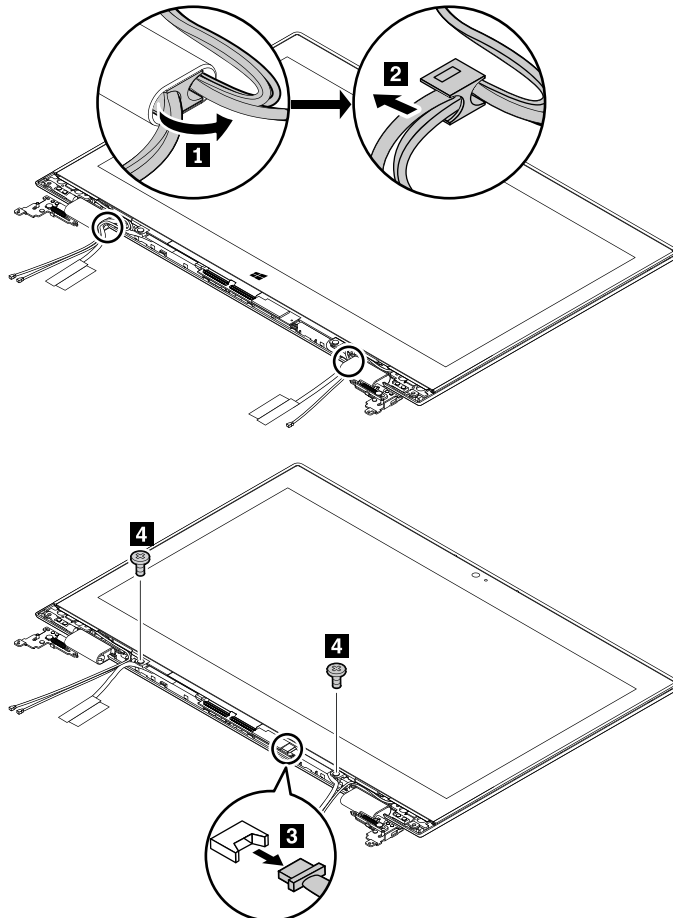


2020 LCD panel assembly and LCD cable

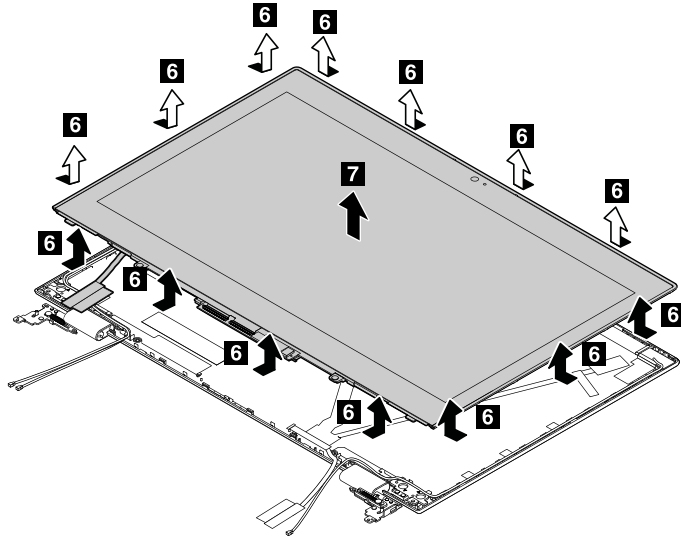
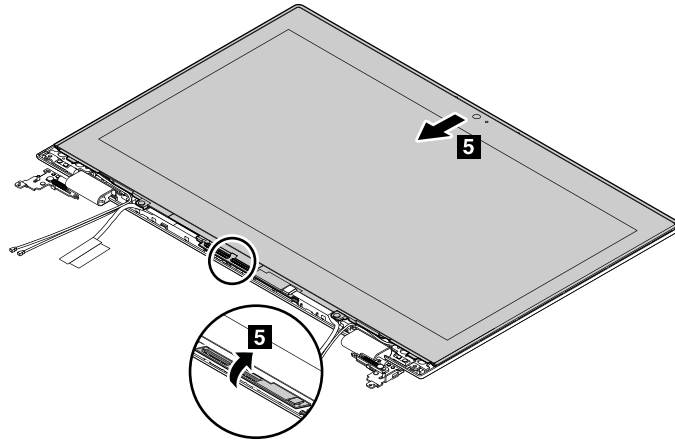
For access, remove these FRUs in order:

- “1010 Base cover assembly” on page 61
- “1070 Speaker assembly” on page 67
- “1080 Battery” on page 68
- “1140 System board assembly” on page 74
- “1150 LCD unit” on page 77
- “2010 Stripe cover” on page 78

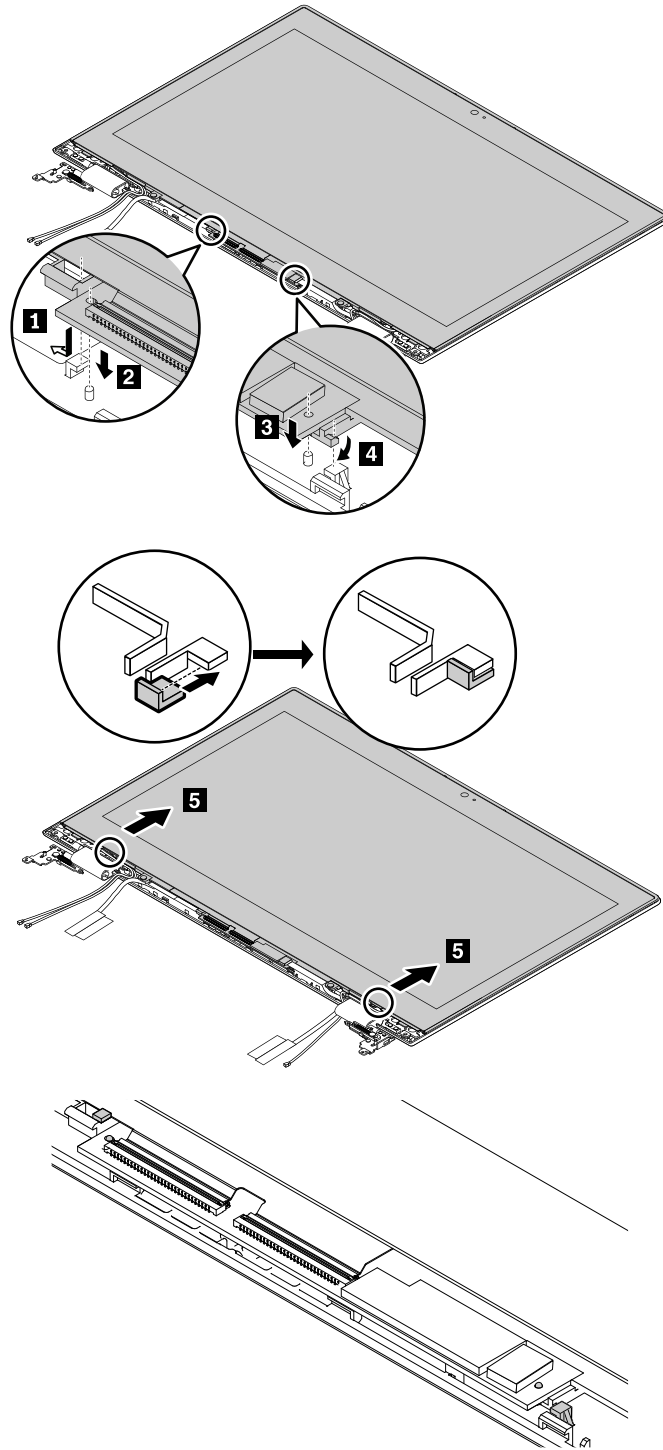
Removal steps of the LCD panel assembly



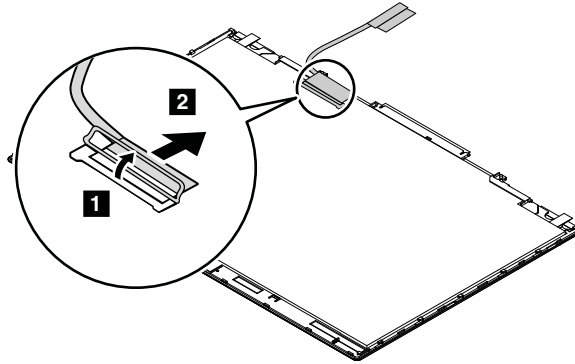
Step	Screw (quantity)	Color	Torque
4	M2 × L3 mm, flat-head, nylon-coated (2)	Black	0.181 Nm (1.85 kgf-cm)



When installing: Ensure that the LCD panel assembly is hooked into place as shown in the following illustrations.



Removal steps of the LCD cable

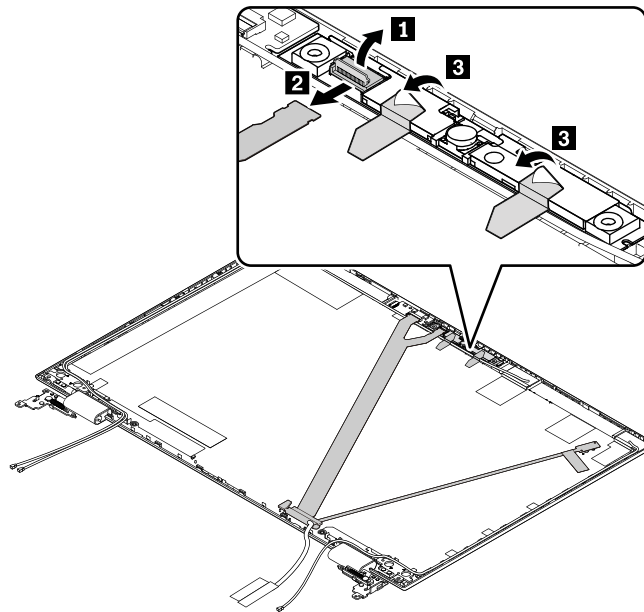


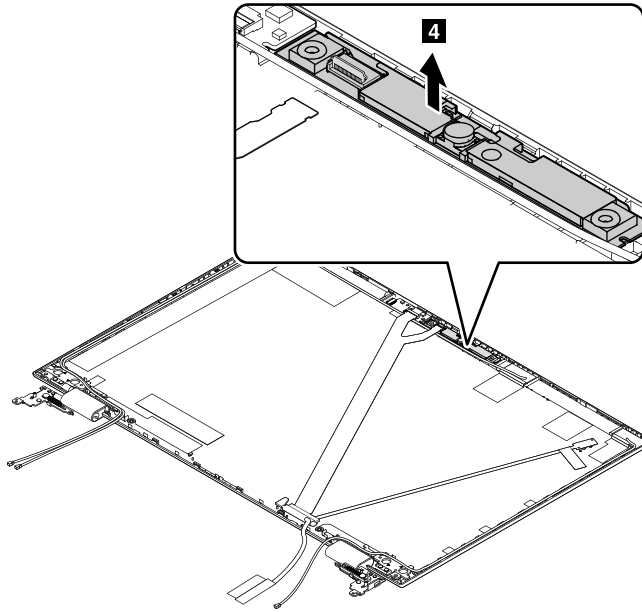
2030 Camera/microphone card and sensor card

For access, remove these FRUs in order:

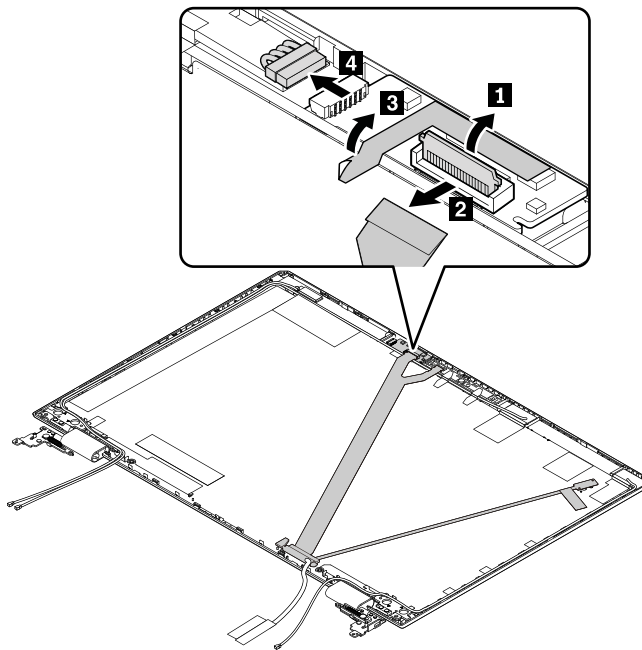
- “1010 Base cover assembly” on page 61
- “1070 Speaker assembly” on page 67
- “1080 Battery” on page 68
- “1140 System board assembly” on page 74
- “1150 LCD unit” on page 77
- “2010 Stripe cover” on page 78
- “2020 LCD panel assembly and LCD cable” on page 79

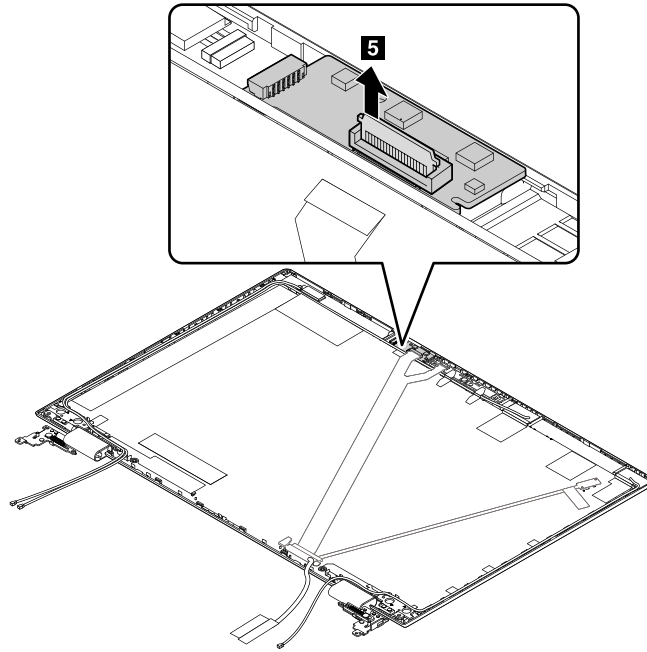
Removal steps of the camera/microphone card





Removal steps of the sensor card



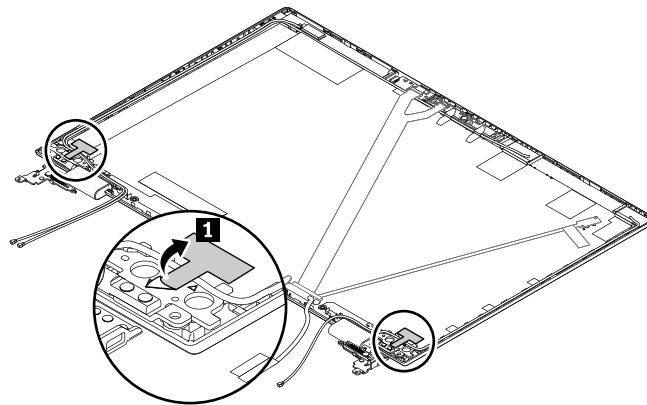


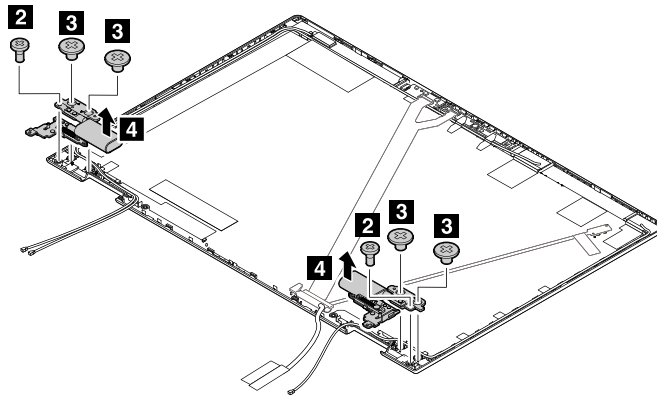
2040 Hinges

For access, remove these FRUs in order:

- “1010 Base cover assembly” on page 61
- “1070 Speaker assembly” on page 67
- “1080 Battery” on page 68
- “1140 System board assembly” on page 74
- “1150 LCD unit” on page 77
- “2010 Stripe cover” on page 78
- “2020 LCD panel assembly and LCD cable” on page 79

Removal steps of the hinges





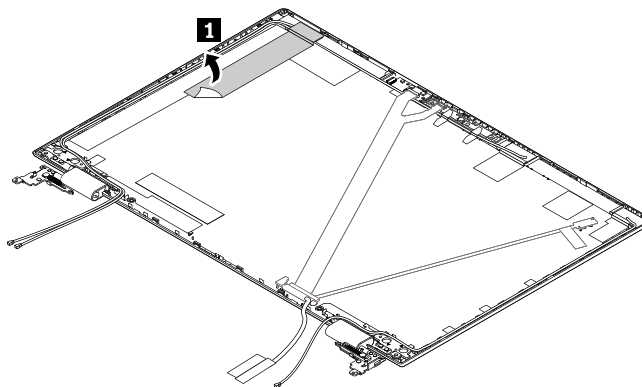
Step	Screw (quantity)	Color	Torque
3	M2 × L2 mm, big-head, nylon-coated (4)	Black	0.181 Nm (1.85 kgf-cm)

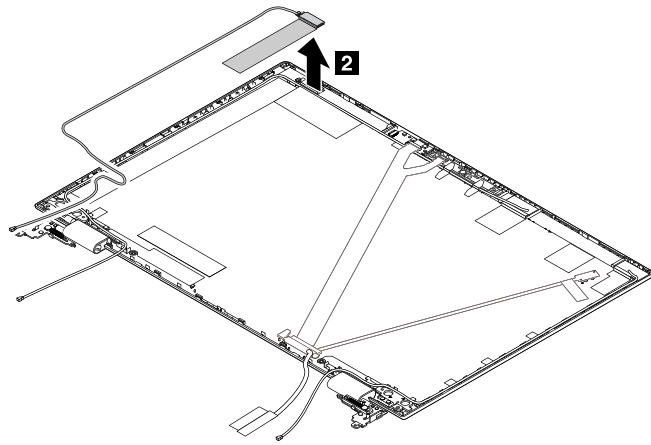
2050 WiGig cable and antenna kit

For access, remove these FRUs in order:

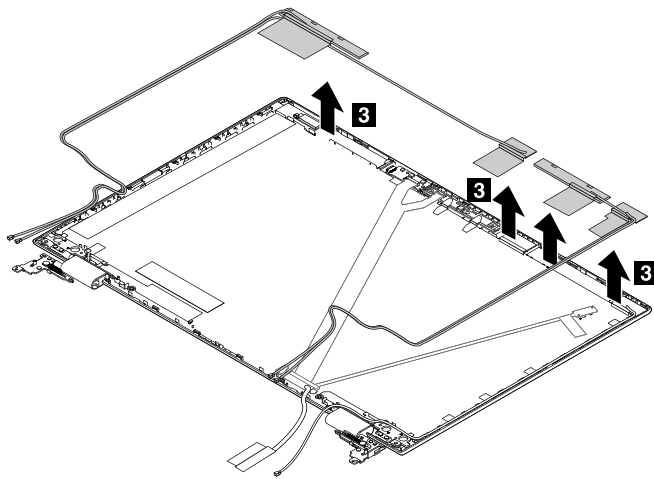
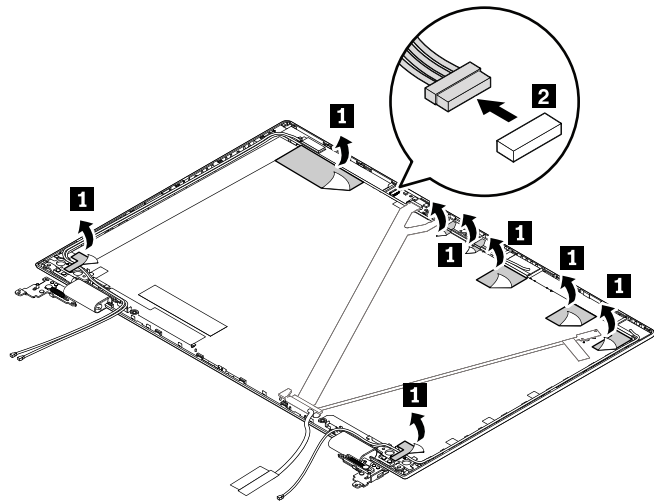
- “1010 Base cover assembly” on page 61
- “1070 Speaker assembly” on page 67
- “1080 Battery” on page 68
- “1140 System board assembly” on page 74
- “1150 LCD unit” on page 77
- “2010 Stripe cover” on page 78
- “2020 LCD panel assembly and LCD cable” on page 79

Removal steps of the WiGig cable

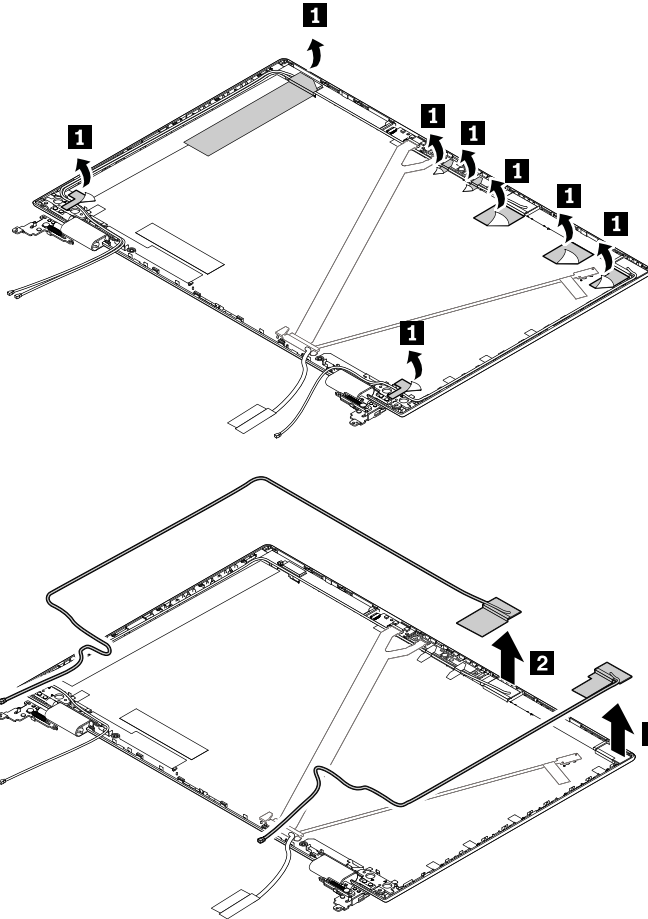




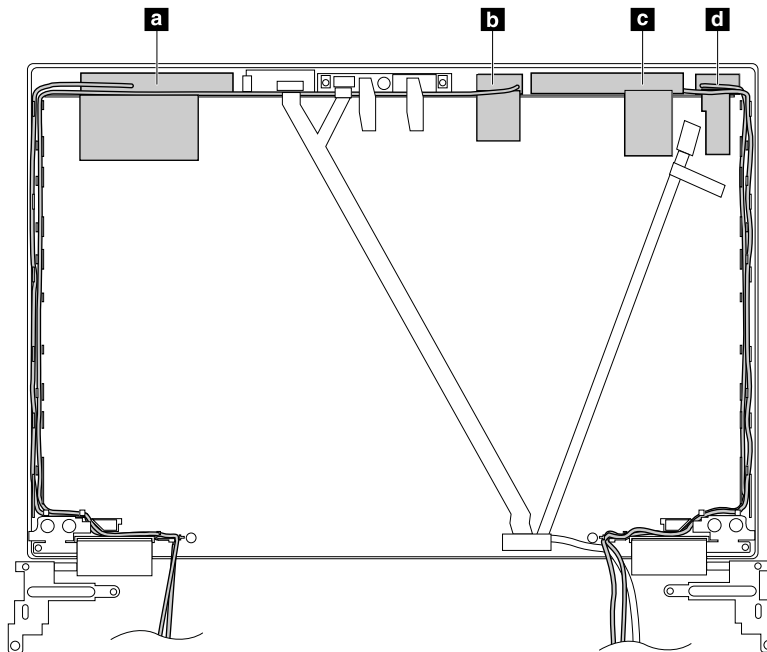
Removal steps of the antenna kit for models without the WiGig function



Removal steps of the antenna kit for models with the WiGig function

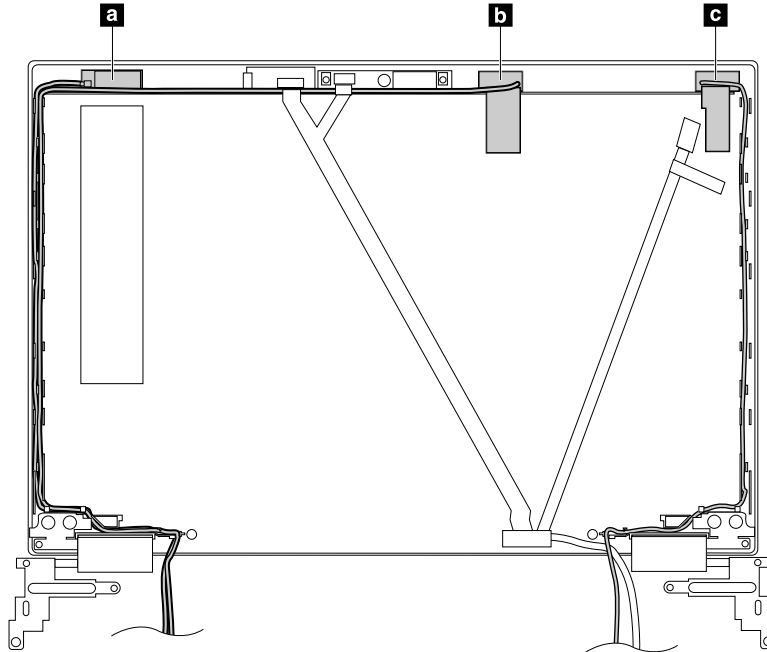


Antenna locations for models without the WiGig function



- a** WWAN main antenna (red)
- b** WLAN main antenna (gray)
- c** WWAN auxiliary antenna (blue)
- d** WLAN auxiliary antenna (black)

Antenna locations for models with the WiGig function



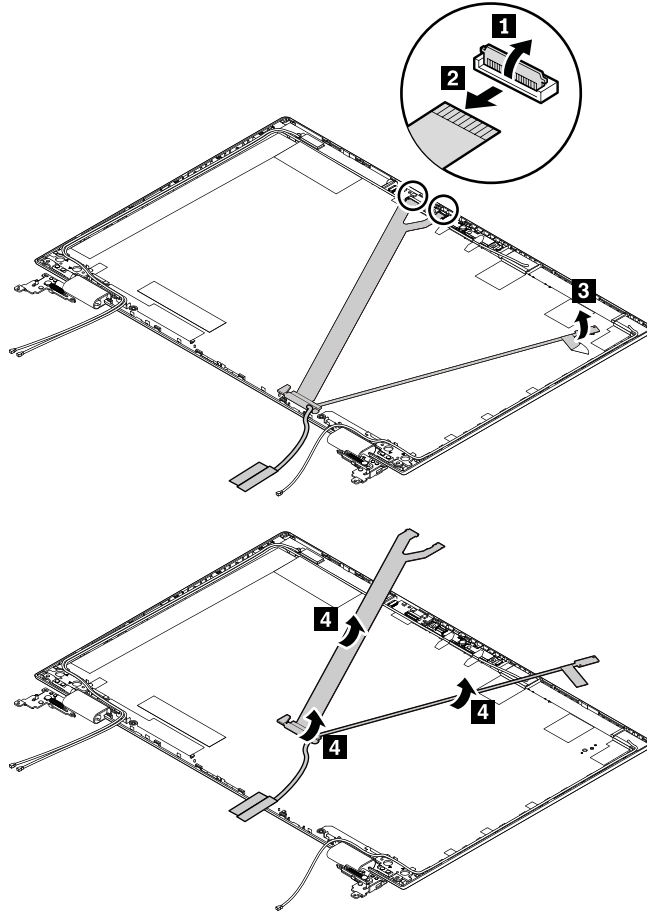
- a** WiGig antenna (black)
- b** WLAN main antenna (gray)
- c** WLAN auxiliary antenna (black)

2060 LED cable assembly

For access, remove these FRUs in order:

- “1010 Base cover assembly” on page 61
- “1070 Speaker assembly” on page 67
- “1080 Battery” on page 68
- “1140 System board assembly” on page 74
- “1150 LCD unit” on page 77
- “2010 Stripe cover” on page 78
- “2020 LCD panel assembly and LCD cable” on page 79
- “2050 WiGig cable and antenna kit” on page 85

Removal step of the LED cable assembly



Appendix A. Notices

Lenovo may not offer the products, services, or features discussed in this document in all countries. Consult your local Lenovo representative for information on the products and services currently available in your area. Any reference to a Lenovo product, program, or service is not intended to state or imply that only that Lenovo product, program, or service may be used. Any functionally equivalent product, program, or service that does not infringe any Lenovo intellectual property right may be used instead. However, it is the user's responsibility to evaluate and verify the operation of any other product, program, or service.

Lenovo may have patents or pending patent applications covering subject matter described in this document. The furnishing of this document does not give you any license to these patents. You can send license inquiries, in writing, to:

*Lenovo (United States), Inc.
1009 Think Place - Building One
Morrisville, NC 27560
U.S.A.
Attention: Lenovo Director of Licensing*

LENOVO PROVIDES THIS PUBLICATION "AS IS" WITHOUT WARRANTY OF ANY KIND, EITHER EXPRESS OR IMPLIED, INCLUDING, BUT NOT LIMITED TO, THE IMPLIED WARRANTIES OF NON-INFRINGEMENT, MERCHANTABILITY OR FITNESS FOR A PARTICULAR PURPOSE. Some jurisdictions do not allow disclaimer of express or implied warranties in certain transactions, therefore, this statement may not apply to you.

This information could include technical inaccuracies or typographical errors. Changes are periodically made to the information herein; these changes will be incorporated in new editions of the publication. Lenovo may make improvements and/or changes in the product(s) and/or the program(s) described in this publication at any time without notice.

The products described in this document are not intended for use in implantation or other life support applications where malfunction may result in injury or death to persons. The information contained in this document does not affect or change Lenovo product specifications or warranties. Nothing in this document shall operate as an express or implied license or indemnity under the intellectual property rights of Lenovo or third parties. All information contained in this document was obtained in specific environments and is presented as an illustration. The result obtained in other operating environments may vary.

Lenovo may use or distribute any of the information you supply in any way it believes appropriate without incurring any obligation to you.

Any references in this publication to non-Lenovo Web sites are provided for convenience only and do not in any manner serve as an endorsement of those Web sites. The materials at those Web sites are not part of the materials for this Lenovo product, and use of those Web sites is at your own risk.

Any performance data contained herein was determined in a controlled environment. Therefore, the result obtained in other operating environments may vary significantly. Some measurements may have been made on development-level systems and there is no guarantee that these measurements will be the same on generally available systems. Furthermore, some measurements may have been estimated through extrapolation. Actual results may vary. Users of this document should verify the applicable data for their specific environment.

Electronic emissions notices

For electronic emission information on Class B digital devices, refer to the corresponding information in the *User Guide*.



Trademarks

The following terms are trademarks of Lenovo in the United States, other countries or both:

- Lenovo
- ThinkPad
- TrackPoint

Microsoft, Windows, and Windows Server are trademarks of the Microsoft group of companies.

Intel is a trademark of Intel Corporation in the U.S. and/or other countries.

Mini DisplayPort (mDP) and DisplayPort are trademarks of the Video Electronics Standards Association.

The terms HDMI and HDMI High-Definition Multimedia Interface are trademarks or registered trademarks of HDMI Licensing LLC in the United States and other countries.

Other company, product, or service names may be the trademarks or service marks of others.



Part Number: SP40K88722_02

Printed in

(1P) P/N: SP40K88722_02

