

# ThinkPad X1 Tablet Gen 3

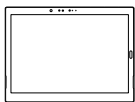
## Setup Guide



Lenovo™



## Standard items



## Optional accessories



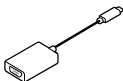
ThinkPad X1 Tablet Gen 3 Thin  
Keyboard \*



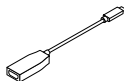
ThinkPad Active Pen \*

Lenovo Pen Pro \*

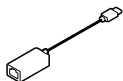
Pen Holder \*



Lenovo USB-C to VGA Adapter \*

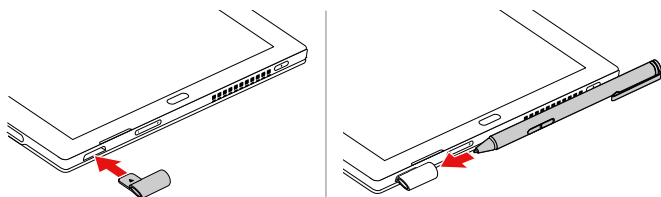
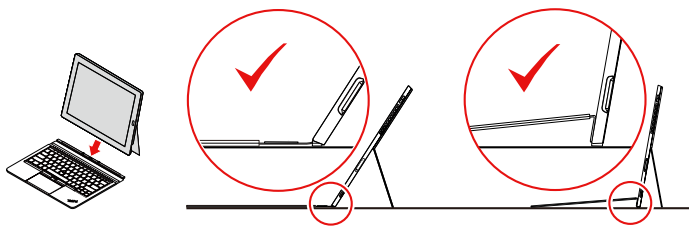
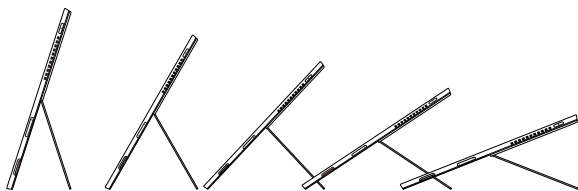
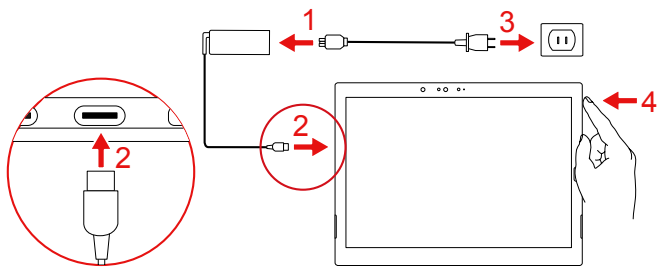


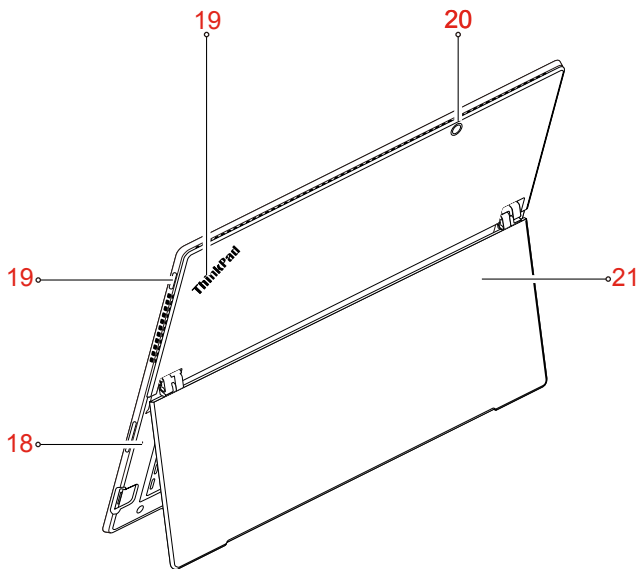
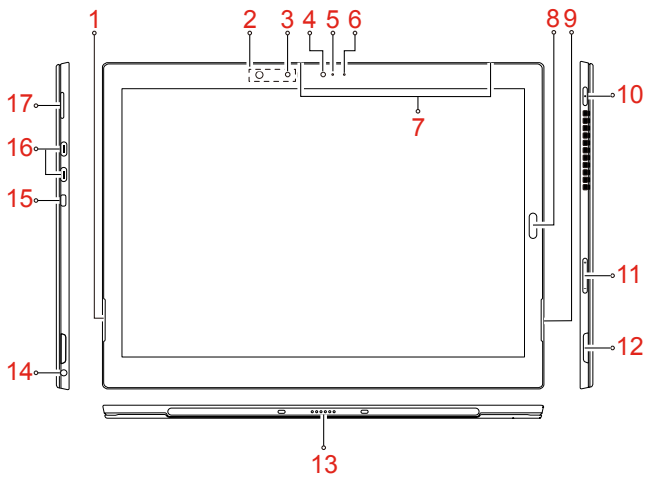
Lenovo USB-C to HDMI Adapter \*



ThinkPad USB-C to Ethernet  
Adapter \*

\* Available on some models





[English]

1. Left stereo speaker
2. NFC touchpoint \*
3. Infrared camera \*
4. Front camera
5. Camera-status indicator
6. Ambient light sensor
7. Microphones
8. Fingerprint reader
9. Right stereo speaker
10. Power button
11. Volume-control buttons
12. Pen holder slot
13. Pogo interface connector
14. Audio connector
15. Mini security-lock slot
16. USB-C™ connectors (Thunderbolt™ 3 compatible)
17. Nano-SIM-card and microSD card slot
18. Emergency-reset hole
19. System-status indicators
20. Rear camera
21. Kickstand

\* Available on some models

#### Compliance with the EU Radio Equipment Directive

The following applies to models with a radio device.

Hereby, Lenovo (Singapore) Pte. Ltd., declares that the radio equipment type ThinkPad X1 Tablet Gen 3 is in compliance with Directive 2014/53/EU.

Refer to the *Safety and Warranty Guide* for further information regarding EU regulatory compliance.

#### Specific Absorption Rate (ICNIRP)

YOUR DEVICE MEETS INTERNATIONAL GUIDELINES FOR EXPOSURE TO RADIO WAVES.

Your device is a radio transmitter and receiver. It is designed not to exceed the limits for exposure to radio waves (radio frequency electromagnetic fields) recommended by international guidelines. The guidelines were developed by an independent scientific organization (ICNIRP) and include a substantial safety margin designed to assure the safety of all persons, regardless of age and health.

The radio wave exposure guidelines use a unit of measurement known as the Specific Absorption Rate, or SAR. The Europe 10g SAR limit for mobile devices is 2.0 W/kg. Tests for SAR are conducted using standard operating positions with the device transmitting at its highest certified power level in all tested frequency bands. The highest SAR values under the ICNIRP guidelines for your device are as follows:

**Maximum body-worn SAR:** 1.51 W/kg

During use, the actual SAR values for your device are usually well below the values stated. This is because, for purposes of system efficiency and to minimize interference on the network, the operating power of your mobile device is automatically decreased when full power is not needed for the data connection. The lower the power output of the device, the lower its SAR value.

If you are interested in further reducing your RF exposure then you can easily do so by limiting your usage or simply keeping the device away from the body.

[e-manual](#)



---

**First Edition (February 2018)**  
**© Copyright Lenovo 2018.**

LIMITED AND RESTRICTED RIGHTS NOTICE: If data or software is delivered pursuant to a General Services Administration "GSA" contract, use, reproduction, or disclosure is subject to restrictions set forth in Contract No. GS-35F-05925.

**Reduce | Reuse | Recycle**

