

lenovo

Lenovo
E41-10/E41-15

Hardware
Maintenance
Manual

A large, faint, light gray graphic of a hand holding a pen is visible in the background, positioned diagonally from the bottom left towards the top right.

Note:

Before using this information and the product it supports, be sure to read the general information under “Notices” on page 81.

First Edition (April 2016)

© Copyright Lenovo 2016. All rights reserved.

LENOVO products, data, computer software, and services have been developed exclusively at private expense and are sold to governmental entities as commercial items as defined by 48 C.F.R. 2.101 with limited and restricted rights to use, reproduction and disclosure.

LIMITED AND RESTRICTED RIGHTS NOTICE: If products, data, computer software, or services are delivered pursuant a General Services Administration “GSA” contract, use, reproduction, or disclosure is subject to restrictions set forth in Contract No. GS-35F-05925.

© 2016 Lenovo

Contents

About this manual	iv	Screw notices	32
Safety information	1	Removing and replacing an FRU	33
General safety	2	1010 Keyboard.....	34
Electrical safety	3	1020 Optical drive.....	36
Safety inspection guide	5	1030 Base cover	37
Handling devices that are sensitive to electrostatic discharge.....	6	1040 Battery pack	39
Grounding requirements	6	1050 Hard disk drive	41
Safety notices: multilingual translations	7	1060 DIMM	43
Laser compliance statement.....	14	1070 PCI Express Mini Card for wireless LAN/WAN	44
Important service information	16	1080 Fan assembly and Heat Sink assembly.....	47
Strategy for replacing FRUs.....	16	1090 System board	49
Strategy for replacing a hard disk drive	17	1100 LCD unit.....	52
Important notice for replacing a system board	17	1110 Speakers, base cover, IO board, DC-IN, power board and touch pad board	54
Important information about replacing RoHS compliant FRUs	18	1120 LCD front bezel.....	57
		1130 LCD panel, LCD cable and hinges... 58	
		1140 Integrated camera	60
		1150 Antenna assembly and LCD cover... 61	
General checkout	19	Locations	62
What to do first	20	Front view	62
Power system checkout	21	Bottom and Left-side view	63
Checking the AC adapter.....	21	Right-side view	64
Checking operational charging	22	Parts list.....	65
Checking the battery pack	22	Overall.....	66
		LCD FRUs	70
Related service information	23	Keyboard.....	72
Restoring the factory contents by using Recovery Disc Set	23	AC adapters.....	78
Start Recovery Disc (one disc).....	23	Screws.....	79
Operating System Recovery Disc (one or more discs)	23	Power cords	80
Applications and Drivers Recovery Disc (one or more discs).....	23	Notices	81
Supplemental Recovery Disc	23	Trademarks	82
Passwords.....	24		
Power-on password	24		
Hard-disk password	24		
Supervisor password	24		
Power management	25		
Screen blank state	25		
Putting the computer to sleep or shutting it down	25		
Lenovo E41-10/E41-15	27		
Specifications	27		
Status indicators	29		
Hotkeys.....	31		
FRU replacement notices.....	32		

About this manual

This manual contains service and reference information for the following Lenovo product:

Lenovo E41-10/E41-15

Use this manual to troubleshoot problems.

The manual is divided into the following sections:

- The common sections provide general information, guidelines, and safety information required for servicing computers.
- The product-specific section includes service, reference, and product-specific parts information.

Important:

This manual is intended only for trained servicers who are familiar with Lenovo products. Use this manual to troubleshoot problems effectively. Before servicing a Lenovo product, make sure to read all the information under “Safety information” on page 1 and “Important service information” on page 16.

Safety information

This chapter presents the following safety information that you need to get familiar with before you service a Lenovo computer:

- “General safety” on page 2
- “Electrical safety” on page 3
- “Safety inspection guide” on page 5
- “Handling devices that are sensitive to electrostatic discharge” on page 6
- “Grounding requirements” on page 6
- “Safety notices: multilingual translations” on page 7
- “Laser compliance statement” on page 14

General safety

Follow these rules below to ensure general safety:

- Observe a good housekeeping in the area where the machines are put during and after the maintenance.
- When lifting any heavy object:
 1. Make sure that you can stand safely without slipping.
 2. Distribute the weight of the object equally between your feet.
 3. Use a slow lifting force. Never move suddenly or twist when you attempt to lift it.
 4. Lift it by standing or pushing up with your leg muscles; this action could avoid the strain from the muscles in your back. Do not attempt to lift any object that weighs more than 16 kg (35 lb) or that you think is too heavy for you.
- Do not perform any action that causes hazards to the customer, or that makes the machine unsafe.
- Before you start the machine, make sure that other service representatives and the customer are not in a hazardous position.
- Please remove covers and other parts in a safe place, away from all personnel, while you are servicing the machine.
- Keep your toolcase away from walk areas so that other people will not trip it over.
- Do not wear loose clothing that can be trapped in the moving parts of the machine. Make sure that your sleeves are fastened or rolled up above your elbows. If your hair is long, fasten it.
- Insert the ends of your necktie or scarf inside clothing or fasten it with the nonconductive clip, about 8 centimeters (3 inches) from the end.
- Do not wear jewelry, chains, metal-frame eyeglasses, or metal fasteners for your clothing.

Attention: Metal objects are good electrical conductors.
- Wear safety glasses when you are hammering, drilling, soldering, cutting wire, attaching springs, using solvents, or working in any other conditions that may be hazardous to your eyes.
- After service, reinstall all safety shields, guards, labels, and ground wires. Replace any safety device that is worn or defective.
- Reinstall all covers correctly before returning the machine to the customer.
- Fan louvers on the machine help to prevent the overheating of internal components. Do not obstruct fan louvers or cover them with labels or stickers.

Electrical safety

Observe the following rules when working on electrical equipments.

Important:

Use only approved tools and test equipments. Some hand tools have handles covered with a soft material that does not insulate you when working with live electrical currents.

Many customers have rubber floor mats near their machines that contain small conductive fibers to decrease electrostatic discharges. Do not use such kind of mat to protect yourself from electrical shock.

- Find the room emergency power-off (EPO) switch, disconnecting switch, or electrical outlet. If an electrical accident occurs, you can then operate the switch or unplug the power cord quickly.
- Do not work alone under hazardous conditions or near the equipment that has hazardous voltages.
- Disconnect all power before:
 - Performing a mechanical inspection
 - Working near power supplies
 - Removing or installing main units
- Before you start to work on the machine, unplug the power cord. If you cannot unplug it, ask the customer to power-off the wall box that supplies power to the machine, and to lock the wall box in the off position.
- If you need to work on a machine that has exposed electrical circuits, observe the following precautions:
 - Ensure that another person, familiar with the power-off controls, is near you.

Attention: Another person must be there to switch off the power, if necessary.
 - Use only one hand when working with powered-on electrical equipment; keep the other hand in your pocket or behind your back.

Attention: An electrical shock can occur only when there is a complete circuit. By observing the above rule, you may prevent a current from passing through your body.
 - When using testers, set the controls correctly and use the approved probe leads and accessories for that tester.
 - Stand on suitable rubber mats (obtained locally, if necessary) to insulate you from grounds such as metal floor strips and machine frames.

Observe the special safety precautions when you work with very high voltages; instructions for these precautions are in the safety sections of maintenance information. Be extremely careful when you measure the high voltages.

- Regularly inspect and maintain your electrical hand tools for safe operational condition.
- Do not use worn or broken tools and testers.
- Never assume that power has been disconnected from a circuit. First, check it to make sure that it has been powered off.

- Always look carefully for possible hazards in your work area. Examples of these hazards are moist floors, nongrounded power extension cables, power surges, and missing safety grounds.
- Do not touch live electrical circuits with the reflective surface of a plastic dental mirror. The surface is conductive; such touching can cause personal injury and machine damage.
- Do not service the following parts with the power on when they are removed from their normal operating places in a machine:
 - Power supply units
 - Pumps
 - Blowers and fans
 - Motor generatorsand similar units. (This practice ensures correct grounding of the units.)
- If an electrical accident occurs:
 - Use caution: do not become a victim yourself.
 - Switch off the power.
 - Send the victim to get medical aid.

Safety inspection guide

The purpose of this inspection guide is to assist you in identifying potential unsafe conditions. As each machine was designed and built, required safety items were installed to protect users and service personnel from injury. This guide addresses only those items. You should use good judgment to identify potential safety hazards due to attachment of non-Lenovo features or options not covered by this inspection guide.

If any unsafe conditions are present, you must determine how serious the apparent hazard could be and whether you can continue without first correcting the problem.

Consider these conditions and the safety hazards they present:

- Electrical hazards, especially primary power (primary voltage on the frame can cause serious or fatal electrical shock)
- Explosive hazards, such as a damaged CRT face or a bulging capacitor
- Mechanical hazards, such as loose or missing hardware

To determine whether there are any potential unsafe conditions, use the following checklist at the beginning of every service task. Begin the checks with the power off, and the power cord disconnected.

Checklist:

1. Check exterior covers for damage (loose, broken, or sharp edges).
2. Turn off the computer. Disconnect the power cord.
3. Check the power cord for:
 - a. A third-wire ground connector in good condition. Use a meter to measure third-wire ground continuity for 0.1 ohm or less between the external ground pin and the frame ground.
 - b. The power cord should be the type specified in the parts list.
 - c. Insulation must not be frayed or worn.
4. Check for cracked or bulging batteries.
5. Remove the cover.
6. Check for any obvious non-Lenovo alterations. Use good judgment as to the safety of any non-Lenovo alterations.
7. Check inside the unit for any obvious unsafe conditions, such as metal filings, contamination, water or other liquids, or signs of fire or smoke damage.
8. Check for worn, frayed, or pinched cables.
9. Check that the power-supply cover fasteners (screws or rivets) have not been removed or tampered with.

Handling devices that are sensitive to electrostatic discharge

Any computer part containing transistors or integrated circuits (ICs) should be considered sensitive to electrostatic discharge (ESD). ESD damage can occur when there is a difference in charge between objects. Protect against ESD damage by equalizing the charge so that the machine, the part, the work mat, and the person handling the part are all at the same charge.

Notes:

1. Use product-specific ESD procedures when they exceed the requirements noted here.
2. Make sure that the ESD protective devices you use have been certified (ISO 9000) as fully effective.

When handling ESD-sensitive parts:

- Keep the parts in protective packages until they are inserted into the product.
- Avoid contact with other people.
- Wear a grounded wrist strap against your skin to eliminate static on your body.
- Prevent the part from touching your clothing. Most clothing is insulative and retains a charge even when you are wearing a wrist strap.
- Use the black side of a grounded work mat to provide a static-free work surface. The mat is especially useful when handling ESD-sensitive devices.
- Select a grounding system, such as those listed below, to provide protection that meets the specific service requirement.

Notes:

The use of a grounding system to guard against ESD damage is desirable but not necessary.

- Attach the ESD ground clip to any frame ground, ground braid, or green-wire ground.
- When working on a double-insulated or battery-operated system, use an ESD common ground or reference point. You can use coax or connector-outside shells on these systems.
- Use the round ground prong of the ac plug on ac-operated computers.

Grounding requirements

Electrical grounding of the computer is required for operator safety and correct system function. Proper grounding of the electrical outlet can be verified by a certified electrician.

Safety notices: multilingual translations

The safety notices in this section are provided in English, French, German, Hebrew, Italian, Japanese, and Spanish.

Safety notice 1

Before the computer is powered on after FRU replacement, make sure all screws, springs, and other small parts are in place and are not left loose inside the computer. Verify this by shaking the computer and listening for rattling sounds. Metallic parts or metal flakes can cause electrical shorts.

Avant de remettre l'ordinateur sous tension après remplacement d'une unité en clientèle, vérifiez que tous les ressorts, vis et autres pièces sont bien en place et bien fixées. Pour ce faire, secouez l'unité et assurez-vous qu'aucun bruit suspect ne se produit. Des pièces métalliques ou des copeaux de métal pourraient causer un court-circuit.

Bevor nach einem FRU-Austausch der Computer wieder angeschlossen wird, muß sichergestellt werden, daß keine Schrauben, Federn oder andere Kleinteile fehlen oder im Gehäuse vergessen wurden. Der Computer muß geschüttelt und auf Klappergeräusche geprüft werden. Metallteile oder-splitter können Kurzschlüsse erzeugen.

לפני הפעלת המחשב לאחר החלפת FRU יש לוודא שכל הברגים, הקפיצים, וחלקים קטנים אחרים נמצאים במקומם ואינם חופשיים לזוז בתוך המחשב. כדי לוודא זאת, יש ללטלט את המחשב ולהקשיב לגילוי קולות שקשוק. חלקי או שבבי מתכת עלולים לגרום לקצרים חשמליים.

Prima di accendere l'elaboratore dopo che é stata effettuata la sostituzione di una FRU, accertarsi che tutte le viti, le molle e tutte le altre parti di piccole dimensioni siano nella corretta posizione e non siano sparse all'interno dell'elaboratore. Verificare ciò scuotendo l'elaboratore e prestando attenzione ad eventuali rumori; eventuali parti o pezzetti metallici possono provocare cortocircuiti pericolosi.

FRUの交換後、コンピュータの電源を入れる前に、ねじ、バネ、その他の小さな部品がすべて正しい位置にあり、またコンピュータの内部で緩んでいないことを確認してください。これを確認するには、コンピュータを振って、カチャカチャと音がしないか確かめませう。金属部品や金属破片はショートの原因になることがあります。

Antes de encender el sistema despues de sustituir una FRU, compruebe que todos los tornillos, muelles y demás piezas pequeñas se encuentran en su sitio y no se encuentran sueltas dentro del sistema. Compruébelo agitando el sistema y escuchando los posibles ruidos que provocarían. Las piezas metálicas pueden causar cortocircuitos eléctricos.

Safety notice 2

DANGER

Some standby batteries contain a small amount of nickel and cadmium. Do not disassemble a standby battery, recharge it, throw it into fire or water, or short-circuit it. Dispose of the battery as required by local ordinances or regulations. Use only the battery in the appropriate parts listing. Use of an incorrect battery can result in ignition or explosion of the battery.

Certaines batteries de secours contiennent du nickel et du cadmium. Ne les démontez pas, ne les rechargez pas, ne les exposez ni au feu ni à l'eau. Ne les mettez pas en court-circuit. Pour les mettre au rebut, conformez-vous à la réglementation en vigueur. Lorsque vous remplacez la pile de sauvegarde ou celle de l'horloge temps réel, veillez à n'utiliser que les modèles cités dans la liste de pièces détachées adéquate. Une batterie ou une pile inappropriée risque de prendre feu ou d'exploser.

Die Bereitschaftsbatterie, die sich unter dem Diskettenlaufwerk befindet, kann geringe Mengen Nickel und Cadmium enthalten. Sie darf nicht zerlegt, wiederaufgeladen, kurzgeschlossen, oder Feuer oder Wasser ausgesetzt werden. Bei der Entsorgung die örtlichen Bestimmungen für Sondermüll beachten. Beim Ersetzen der Bereitschafts- oder Systematterie nur Batterien des Typs verwenden, der in der Ersatzteilliste aufgeführt ist. Der Einsatz falscher Batterien kann zu Entzündung oder Explosion führen.

סוללות המתנה מסוימות מכילות כמות קטנה של ניקל וקדמיום. אין למרק סוללת המתנה, לטעון אותה מחדש, להשליך אותה לאש או למים או לקצר אותה. יש לסלק את הסוללה בזהירות על ידי התקנות והחוקים המקומיים. יש להשתמש רק בסוללה המופיעה ברשימת החלקים המתאימה. שימוש בסוללה לא מתאימה עלול לגרום להצתה או התפוצצות של הסוללה.

Alcune batterie di riserva contengono una piccola quantità di nichel e cadmio. Non smontarle, ricaricarle, gettarle nel fuoco o nell'acqua né cortocircuitarle. Smaltirle secondo la normativa in vigore (DPR 915/82, successive disposizioni e disposizioni locali). Quando si sostituisce la batteria dell'RTC (real time clock) o la batteria di supporto, utilizzare soltanto i tipi inseriti nell'appropriato Catalogo parti. L'impiego di una batteria non adatta potrebbe determinare l'incendio o l'esplosione della batteria stessa.

予備バッテリーの中には少量のニッケルとカドミウムが含まれているものがあります。したがって、予備バッテリーの分解、再充電、火または水の中への投棄、またはショートさせることは決して行わないでください。バッテリーを廃棄する場合は地方自治体の条例に従ってください。適切なパーツ・リストにあるバッテリーだけを使用してください。誤ったバッテリーを使用すると、バッテリーが発火したり、爆発したりすることがあります。

Algunas baterías de reserva contienen una pequeña cantidad de níquel y cadmio. No las desmonte, ni recargue, ni las eche al fuego o al agua ni las cortocircuite. Deséchelas tal como dispone la normativa local. Utilice sólo baterías que se encuentren en la lista de piezas. La utilización de una batería no apropiada puede provocar la ignición o explosión de la misma.

Safety notice 3

⚠ DANGER

The battery pack contains small amounts of nickel. Do not disassemble it, throw it into fire or water, or short-circuit it. Dispose of the battery pack as required by local ordinances or regulations. Use only the battery in the appropriate parts listing when replacing the battery pack. Use of an incorrect battery can result in ignition or explosion of the battery.

La batterie contient du nickel. Ne la démontez pas, ne l'exposez ni au feu ni à l'eau. Ne la mettez pas en court-circuit. Pour la mettre au rebut, conformez-vous à la réglementation en vigueur. Lorsque vous remplacez la batterie, veillez à n'utiliser que les modèles cités dans la liste de pièces détachées adéquate. En effet, une batterie inappropriée risque de prendre feu ou d'exploser.

Akkus enthalten geringe Mengen von Nickel. Sie dürfen nicht zerlegt, wiederaufgeladen, kurzgeschlossen, oder Feuer oder Wasser ausgesetzt werden. Bei der Entsorgung die örtlichen Bestimmungen für Sondermüll beachten. Beim Ersetzen der Batterie nur Batterien des Typs verwenden, der in der Ersatzteilliste aufgeführt ist. Der Einsatz falscher Batterien kann zu Entzündung oder Explosion führen.

מארו הסוללה מכיל כמות קטנה של ניקל וקדמיום. אין לפרק את מארו הסוללה, להשליך אותו לאש או למים או לקצר אותו. יש לשלק את מארו הסוללה הסוללה כנדרש על ידי התקנות והחוקים המקומיים. יש להשתמש רק בסוללה המופיעה ברשימת החלקים המתאימה בזמן החלפת מארו הסוללה. שימוש בסוללה לא מתאימה עלול לגרום להצתה או התפוצצות של הסוללה.

La batteria contiene piccole quantità di nichel. Non smontarla, gettarla nel fuoco o nell'acqua né cortocircuitarla. Smaltirla secondo la normativa in vigore (DPR 915/82, successive disposizioni e disposizioni locali). Quando si sostituisce la batteria, utilizzare soltanto i tipi inseriti nell'appropriato Catalogo parti. L'impiego di una batteria non adatta potrebbe determinare l'incendio o l'esplosione della batteria stessa.

バッテリー・パックには少量のニッケルが含まれています。バッテリー・パックを分解したり、火または水の中に投げ込んだり、ショートさせないでください。バッテリー・パックの廃棄にあたっては、地方自治体の条例または規則に従ってください。バッテリー・パックを交換するときは、適切なパーツ・リストにあるバッテリーだけを使用してください。誤ったバッテリーを使用すると、バッテリーが発火したり、爆発したりすることがあります。

Las baterías contienen pequeñas cantidades de níquel. No las desmonte, ni recargue, ni las eche al fuego o al agua ni las cortocircuite. Deséchelas tal como dispone la normativa local. Utilice sólo baterías que se encuentren en la lista de piezas al sustituir la batería. La utilización de una batería no apropiada puede provocar la ignición o explosión de la misma.

Safety notice 4

⚠ DANGER

The lithium battery can cause a fire, an explosion, or a severe burn. Do not recharge it, remove its polarized connector, disassemble it, heat it above 100°C (212°F), incinerate it, or expose its cell contents to water. Dispose of the battery as required by local ordinances or regulations. Use only the battery in the appropriate parts listing. Use of an incorrect battery can result in ignition or explosion of the battery.

La pile de sauvegarde contient du lithium. Elle présente des risques d'incendie, d'explosion ou de brûlures graves. Ne la rechargez pas, ne retirez pas son connecteur polarisé et ne la démontez pas. Ne l'exposez pas à une température supérieure à 100°C, ne la faites pas brûler et n'en exposez pas le contenu à l'eau. Mettez la pile au rebut conformément à la réglementation en vigueur. Une pile inappropriée risque de prendre feu ou d'exploser.

Die Systematterie ist eine Lithiumatterie. Sie kann sich entzünden, explodieren oder schwere Verbrennungen hervorrufen. Batterien dieses Typs dürfen nicht aufgeladen, zerlegt, über 100 C erhitzt oder verbrannt werden. Auch darf ihr Inhalt nicht mit Wasser in Verbindung gebracht oder der zur richtigen Polung angebrachte Verbindungsstecker entfernt werden. Bei der Entsorgung die örtlichen Bestimmungen für Sondermüll beachten. Beim Ersetzen der Batterie nur Batterien des Typs verwenden, der in der Ersatzteilliste aufgeführt ist. Der Einsatz falscher Batterien kann zu Entzündung oder Explosion führen.

סוללת הליתיום עלולה לגרום לשריפה, להתמוצעות או לכוויות קשות. אין לטעון אותה מחדש, לטלוק את המחבר המקוטב שלה, למפרק אותה או לחמם אותה לטמפרטורה העולה על 100 מעלות צלזיוס. אין לשרוף את הסוללה ואין לחשוף את תוכן התא למים. יש לטלוק את הסוללה כנדרש בתקנות ובחוקים המקומיים. יש להשתמש רק בסוללה המופיעה ברשימת החלקים המתאימים. שימוש בסוללה אחרת עלול לגרום לסכנת שריפה או התמוצעות.

La batteria di supporto e una batteria al litio e puo incendiarsi, esplodere o procurare gravi ustioni. Evitare di ricaricarla, smontarne il connettore polarizzato, smontarla, riscaldarla ad una temperatura superiore ai 100 gradi centigradi, incendarla o gettarla in acqua. Smaltirla secondo la normativa in vigore (DPR 915/82, successive disposizioni e disposizioni locali). L'impiego di una batteria non adatta potrebbe determinare l'incendio o l'esplosione della batteria stessa.

リチウム・バッテリーは、火災、爆発、または重症のやけどを引き起こすことがあります。バックアップ・バッテリーの充電、その極性コネクタの取り外し、バッテリー本体の分解、100°C (212°F) 以上への加熱、焼却、電池の中身を水に浸すことはしないでください。バッテリーを廃棄する場合は地方自治体の条例に従ってください。適切なパーツ・リストにあるバッテリーだけを使用してください。誤ったバッテリーを使用すると、バッテリーが発火したり、爆発したりすることがあります。

La batería de respaldo es una batería de litio y puede provocar incendios, explosiones o quemaduras graves. No la recargue, ni quite el conector polarizado, ni la desmonte, ni caliente por encima de los 100°C (212°F), ni la incinere ni exponga el contenido de sus celdas al agua. Deséchela tal como dispone la normativa local.

Safety notice 5

If the LCD breaks and the fluid from inside the LCD gets into your eyes or on your hands, immediately wash the affected areas with water at least for 15 minutes. Seek medical care if any symptoms caused by the fluid are present after washing.

Si le panneau d'affichage à cristaux liquides se brise et que vous recevez dans les yeux ou sur les mains une partie du fluide, rincez-les abondamment pendant au moins quinze minutes. Consultez un médecin si des symptômes persistent après le lavage.

Die Leuchtstoffröhre im LCD-Bildschirm enthält Quecksilber. Bei der Entsorgung die örtlichen Bestimmungen für Sondermüll beachten. Der LCD-Bildschirm besteht aus Glas und kann zerbrechen, wenn er unsachgemäß behandelt wird oder der Computer auf den Boden fällt. Wenn der Bildschirm beschädigt ist und die darin befindliche Flüssigkeit in Kontakt mit Haut und Augen gerät, sollten die betroffenen Stellen mindestens 15 Minuten mit Wasser abgespült und bei Beschwerden anschließend ein Arzt aufgesucht werden.

אם מסך הניבש הנוזלי (LCD) נשבר והנוזל מתוך המסך בא במגע עם עיניכם או ידיכם, שטפו את האזורים הנוגעים מיד במים במשך 15 דקות לפחות. פנו לקבלת עזרה רפואית אם תסמינים הנובעים מהמגע עם הנוזל נמשכים לאחר השטיפה.

Nel caso che caso l'LCD si dovesse rompere ed il liquido in esso contenuto entrasse in contatto con gli occhi o le mani, lavare immediatamente le parti interessate con acqua corrente per almeno 15 minuti; poi consultare un medico se i sintomi dovessero permanere.

LCD が破損し、LCD 中の液体が目に入ったり、手に触れたりした場合は、液体が触れた部分を少なくとも 15 分間洗い流してください。洗い流した後に、液体によって何らかの症状が現れた場合は、医師の治療を受けてください。

Si la LCD se rompe y el fluido de su interior entra en contacto con sus ojos o sus manos, lave inmediatamente las áreas afectadas con agua durante 15 minutos como mínimo. Obtenga atención medica si se presenta algún sintoma del fluido despues de lavarse.

Safety notice 6

⚠ DANGER

To avoid shock, do not remove the plastic cover that protects the lower part of the inverter card.

Afin d'éviter tout risque de choc électrique, ne retirez pas le cache en plastique protégeant la partie inférieure de la carte d'alimentation.

Aus Sicherheitsgründen die Kunststoffabdeckung, die den unteren Teil der Spannungswandlerplatine umgibt, nicht entfernen.

כדי למנוע התחשמלות, אין להסיר את מכסה הפלסטיק המגן על חלקו התחתון של הכרטיס ההפוך.

Per evitare scosse elettriche, non rimuovere la copertura in plastica che avvolge la parte inferiore della scheda invertitore.

感電を防ぐため、インバーター・カードの下部を保護しているプラスチック・カバーを外さないでください。

Para evitar descargas, no quite la cubierta de plástico que rodea la parte baja de la tarjeta invertida.

Safety notice 7

⚠ DANGER

Though the main batteries have low voltage, a shorted or grounded battery can produce enough current to burn personnel or combustible materials.

Bien que le voltage des batteries principales soit peu élevé, le court-circuit ou la mise à la masse d'une batterie peut produire suffisamment de courant pour brûler des matériaux combustibles ou causer des brûlures corporelles graves.

Obwohl Hauptbatterien eine niedrige Spannung haben, können sie doch bei Kurzschluß oder Erdung genug Strom abgeben, um brennbare Materialien zu entzünden oder Verletzungen bei Personen hervorzurufen.

אף שהסוללות הראשיות הן בעלות מתח נמוך, סוללה מקוצרת או מוארקת עלולה להפיק זרם מספיק לגרימת כוויות או להצתת חומרים דליקים.

Sebbene le batterie di alimentazione siano a basso voltaggio, una batteria in corto circuito o a massa può fornire corrente sufficiente da bruciare materiali combustibili o provocare ustioni ai tecnici di manutenzione.

メイン・バッテリーの電圧は低くても、ショートしたり、接地したバッテリーが、作業者にやけどを負わせたり、可燃物を燃やすだけの電流を発生させる場合があります。

Aunque las baterías principales tienen un voltaje bajo, una batería cortocircuitada o con contacto a tierra puede producir la corriente suficiente como para quemar material combustible o provocar quemaduras en el personal.

Safety notice 8

⚠ DANGER

Before removing any FRU, turn off the computer, unplug all power cords from electrical outlets, remove the battery pack, and then disconnect any interconnecting cables.

Avant de retirer une unité remplaçable en clientèle, mettez le système hors tension, débranchez tous les cordons d'alimentation des socles de prise de courant, retirez la batterie et déconnectez tous les cordons d'interface.

Die Stromzufuhr muß abgeschaltet, alle Stromkabel aus der Steckdose gezogen, der Akku entfernt und alle Verbindungskabel abgenommen sein, bevor eine FRU entfernt wird.

לפני סילוק FRU כלשהו, יש לכבות את המחשב,
לנתק את כל כבלי החשמל משקעי החשמל, להוציא
את מארז הסוללה, ואז לנתק כבלי חיבור אחרים
אם יש כאלה.

Prima di rimuovere qualsiasi FRU, spegnere il sistema, scollegare dalle prese elettriche tutti i cavi di alimentazione, rimuovere la batteria e poi scollegare i cavi di interconnessione.

FRUを取り外す前に、ThinkPadの電源を切って、すべての電源コードをコンセントから外してください。次に、バッテリー・パックを外し、相互接続ケーブルを外してください。

Antes de quitar una FRU, apague el sistema, desenchufe todos los cables de las tomas de corriente eléctrica, quite la batería y, a continuación, desconecte cualquier cable de conexión entre dispositivos.

Laser compliance statement

Some models of Lenovo computer are equipped from the factory with an optical storage device such as a CD-ROM drive or a DVD-ROM drive. Such devices are also sold separately as options. If one of these drives is installed, it is certified in the U.S. to conform to the requirements of the Department of Health and Human Services 21 Code of Federal Regulations (DHHS 21 CFR) Subchapter J for Class 1 laser products. Elsewhere, the drive is certified to conform to the requirements of the International Electrotechnical Commission (IEC) 825 and CENELEC EN 60 825 for Class 1 laser products.

If a CD-ROM drive, a DVD-ROM drive, or another laser device is installed, note the following:

CAUTION

Use of controls or adjustments or performance of procedures other than those specified herein might result in hazardous radiation exposure.

O uso de controles, ajustes ou desempenho de procedimentos diferentes daqueles aqui especificados pode resultar em perigosa exposição à radiação.

凡未在这里指明的任何控制用法、调整、行为，都会导致严重后果。

Pour éviter tout risque d'exposition au rayon laser, respectez les consignes de réglage et d'utilisation des commandes, ainsi que les procédures décrites.

Werden Steuer- und Einstellelemente anders als hier festgesetzt verwendet, kann gefährliche Laserstrahlung auftreten.

Az itt előírt eljárásoktól, beállításoktól és vezérlésektől eltérni a lézersugárzás veszélye miatt kockázatos!

L'utilizzo di controlli, regolazioni o l'esecuzione di procedure diverse da quelle specificate possono provocare l'esposizione a.

Использование элементов настройки и выполнение процедур иных, чем указано здесь, может привести к опасному радиационному облучению.

Použitie kontrol, úprav alebo iných vykonaní od iných výrobcov, ako je v tomto špecifikované, mohlo by mať za následok nebezpečenstvo vystavenia sa vyžiarovaniu.

本書で指定された内容以外のお客様による整備、調整、または手順を行った場合、レーザー光の放射の危険があります。

El uso de controles o ajustes o la ejecución de procedimientos distintos de los aquí especificados puede provocar la exposición a radiaciones peligrosas.

Opening the CD-ROM drive, the DVD-ROM drive, or any other optical storage device could result in exposure to hazardous laser radiation. There are no serviceable parts inside those drives. **Do not open.**

A CD-ROM drive, a DVD-ROM drive, or any other storage device installed may contain an embedded Class 3A or Class 3B laser diode. Note the following:

 **DANGER**

Emits visible and invisible laser radiation when open. Do not stare into the beam, do not view directly with optical instruments, and avoid direct exposure to the beam.

Radiação por raio laser ao abrir. Não olhe fixo no feixe de luz, não olhe diretamente por meio de instrumentos óticos e evite exposição direta com o feixe de luz.

开启时会有激光发射时，请勿直视激光光束，请勿直接查看视觉仪器，并且避免直接接触在激光光束之中。

Rayonnement laser si carter ouvert. Évitez de fixer le faisceau, de le regarder directement avec des instruments optiques, ou de vous exposer au rayon.

Laserstrahlung bei geöffnetem Gerät. Nicht direkt oder über optische Instrumente in den Laserstrahl sehen und den Strahlungsbereich meiden.

Kinyitáskor lézersugár! Ne nézzen bele se szabad szemmel, se optikai eszközökkel. Kerülje a sugárnyalábbal való érintkezést!

Aprendo l'unità vengono emesse radiazioni laser. Non fissare il fascio, non guardarlo direttamente con strumenti ottici e evitare l'esposizione diretta al fascio.

Открывая, берегитесь лазерного излучения. Не смотрите на луч, не разглядывайте его с помощью оптических инструментов, а также избегайте прямого воздействия лазерного луча.

Keď je laserová jednotka otvorená. Vyhňte sa priamemu pohľadu a nehládte priamo s optickými nástrojmi do lúča a vyhňte sa priamemu vystaveniu lúčov.

開けるとレーザー光が放射されます。光線を見つめたり、光学機械を使って直接見たりしないでください。

Radiación láser al abrir. No mire fijamente ni examine con instrumental óptico el haz de luz. Evite la exposición directa al haz.

Important service information

This chapter presents the following important service information:

- “Strategy for replacing FRUs” on page 16
 - “Strategy for replacing a hard disk drive” on page 17
 - “Important notice for replacing a system board” on page 17
- “Important information about replacing RoHS compliant FRUs” on page 18

Important:

BIOS and device driver fixes are customer-installable. The BIOS and device drivers are posted on the customer support site:
<http://support.lenovo.com>.

Strategy for replacing FRUs

Before replacing parts:

Make sure that all software fixes, drivers, and BIOS downloads are installed before replacing any FRUs listed in this manual.

After a system board is replaced, ensure that the latest BIOS is loaded to the system board before completing the service action.

To download software fixes, drivers, and BIOS, follow the steps below:

1. Go to <http://support.lenovo.com>.
2. Enter the serial number or select a product or use Lenovo smart downloading.
3. Select the BIOS/Driver/Applications and download.
4. Follow the directions on the screen and install the necessary software.

Use the following strategy to prevent unnecessary expense for replacing and servicing FRUs:

- If you are instructed to replace an FRU, but the replacement does not solve the problem, reinstall the original FRU before you continue.
- Some computers have both a processor board and a system board. If you are instructed to replace either of them, and replacing one of them does not solve the problem, reinstall that board, and then replace the other one.
- If an adapter or a device consists of more than one FRU, any of the FRUs may be the cause of the error. Before replacing the adapter or device, remove the FRUs one by one to see if the symptoms change. Replace only the FRU that changed the symptoms.

Attention: The setup configuration on the computer you are servicing may have been customized. Running Automatic Configuration may alter the settings. Note the current configuration settings (using the View Configuration option); then, when service has been completed, verify that those settings remain in effect.

Strategy for replacing a hard disk drive

Always try to run a low-level format before replacing a hard disk drive. This will cause all customer data on the hard disk to be lost. Make sure that the customer has a current backup of the data before performing this action.

Attention: The drive startup sequence in the computer you are servicing may have been changed. Be extremely careful during write operations such as copying, saving, or formatting. If you select an incorrect drive, data or programs can be overwritten.

Important notice for replacing a system board

Some components mounted on a system board are very sensitive. Improper handling can cause damage to those components, and may cause a system malfunction.

Attention: When handling a system board:

- Do not drop the system board or apply any excessive force to it.
- Avoid rough handling of any kind.
- Avoid bending the system board and hard pushing to prevent cracking at each BGA (Ball Grid Array) chipset.

Important information about replacing RoHS compliant FRUs

RoHS, The Restriction of Hazardous Substances in Electrical and Electronic Equipment Directive (2002/95/EC) is a European Union legal requirement affecting the global electronics industry. RoHS requirements must be implemented on Lenovo products placed on the market after June 2006. Products on the market before June 2006 are not required to have RoHS compliant parts. If the original FRU parts are non-compliant, replacement parts can also be non-compliant. In all cases if the original FRU parts are RoHS compliant, the replacement part must also be RoHS compliant.

Note: RoHS and non-RoHS FRU part numbers with the same fit and function are identified with unique FRU part numbers.

Lenovo plans to transit to RoHS compliance well before the implementation date and expects its suppliers to be ready to support Lenovo’s requirements and schedule in the EU. Products sold in 2005 and 2006 will contain some RoHS compliant FRUs. The following statement pertains to these products and any product Lenovo produces containing RoHS compliant FRUs.

RoHS compliant FRUs have unique FRU part numbers. Before or after the RoHS implementation date, failed RoHS compliant parts must always be replaced with RoHS compliant ones, so only the FRUs identified as compliant in the system HMM or direct substitutions for those FRUs may be used.

Products marketed before June 2006		Products marketed after June 2006	
Current or original part	Replacement FRU	Current or original part	Replacement FRU
Non-RoHS	Can be Non-RoHS	Must be RoHS	Must be RoHS
Non-RoHS	Can be RoHS		
Non-RoHS	Can sub to RoHS		
RoHS	Must be RoHS		

Note: A direct substitution is a part with a different FRU part number that is automatically shipped by the distribution center at the time of the order.

General checkout

This chapter presents the following information:

- “What to do first” on page 20
- “Power system checkout” on page 21

Before you go to the checkout, make sure to read the following important notes:

Important notes:

- **Only certified trained personnel can service the computer.**
- **Before replacing any FRU, read the entire page on removing and replacing FRUs.**
- **When you replace FRUs, use new nylon-coated screws.**
- **Be extremely careful during such write operations as copying, saving, or formatting.** Drives in the computer that you are servicing sequence might have been altered. If you select an incorrect drive, data or programs might be overwritten.
- **Replace an FRU only with another FRU of the correct model.** When you replace an FRU, make sure that the machine model and the FRU part number are correct by referring to the FRU parts list.
- **An FRU should not be replaced just because of a single, unreproducible failure.** Single failures can occur for a variety of reasons that have nothing to do with a hardware defect, such as cosmic radiation, electrostatic discharge, or software errors. Consider replacing an FRU only when a problem recurs. If you suspect that an FRU is defective, clear the error logs and run the test again. If the error does not recur, do not replace the FRU.
- **Be careful not to replace a nondefective FRU.**

What to do first

When you do return an FRU, you must include the following information in the parts exchange form or parts return form that you attach to it:

1. Name and phone number of servicer
2. Date of service
3. Date on which the machine failed
4. Date of purchase
5. Procedure index and page number in which the failing FRU was detected
6. Failing FRU name and part number
7. Machine type, model number, and serial number
8. Customer's name and address

Note for warranty: During the warranty period, the customer may be responsible for repair costs if the computer damage was caused by misuse, accident, modification, unsuitable physical or operating environment, or improper maintenance by the customer.

The following is a list of some common items that are not covered under warranty and some symptoms that might indicate that the system was subjected to stress beyond normal use.

Before checking problems with the computer, determine whether the damage is covered under the warranty by referring to the following list:

The following are not covered under warranty:

- LCD panel cracked from the application of excessive force or from being dropped
- Scratched (cosmetic) parts
- Distortion, deformation, or discoloration of the cosmetic parts
- Plastic parts, latches, pins, or connectors that have been cracked or broken by excessive force
- Damage caused by liquid spilled into the system
- Damage caused by the improper insertion of a PC Card or the installation of an incompatible card
- Improper disk insertion or use of an optical drive
- Diskette drive damage caused by pressure on the diskette drive cover, foreign material in the drive, or the insertion of a diskette with multiple labels
- Damaged or bent diskette eject button
- Fuses blown by attachment of a nonsupported device
- Forgotten computer password (making the computer unusable)
- Sticky keys caused by spilling a liquid onto the keyboard
- Use of an incorrect AC adapter on laptop products

The following symptoms might indicate damage caused by nonwarranted activities:

- Missing parts might be a symptom of unauthorized service or modification.
- If the spindle of a hard disk drive becomes noisy, it may have been subjected to excessive force, or dropped.

Power system checkout

To verify a symptom, follow the steps below:

1. Turn off the computer.
2. Remove the battery pack.
3. Connect the AC adapter.
4. Make sure that power is supplied when you turn on the computer.
5. Turn off the computer.
6. Disconnect the AC adapter and install the charged battery pack.
7. Make sure that the battery pack supplies power when you turn on the computer.

If you suspect a power problem, see the appropriate one of the following power supply checkouts:

- “Checking the AC adapter” on page 21
- “Checking operational charging” on page 22
- “Checking the battery pack” on page 22

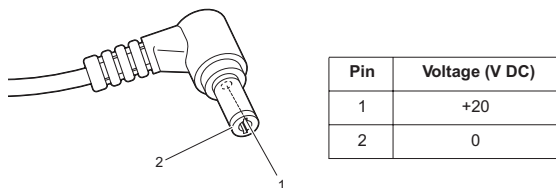
Checking the AC adapter

You are here because the computer fails only when the AC adapter is used.

- If the power-on indicator does not turn on, check the power cord of the AC adapter for correct continuity and installation.
- If the computer does not charge during operation, go to “Checking operational charging”.

To check the AC adapter, follow the steps below:

1. Unplug the AC adapter cable from the computer.
2. Measure the output voltage at the plug of the AC adapter cable. See the following figure:



Note: Output voltage for the AC adapter pin No. 2 may differ from the one you are servicing.

3. If the voltage is not correct, replace the AC adapter.
4. If the voltage is acceptable, do the following:
 - Replace the system board.
 - If the problem persists, go to “Lenovo E41-10/E41-15” on page 27.

Note: Noise from the AC adapter does not always indicate a defect.

Checking operational charging

To check whether the battery charges properly during operation, use a discharged battery pack or a battery pack that has less than 50% of the total power remaining when installed in the computer.

Perform operational charging. If the battery status indicator or icon does not light on, remove the battery pack and let it return to room temperature. Reinstall the battery pack. If the charge indicator or icon is still off, replace the battery pack.

If the charge indicator still does not light on, replace the system board. Then reinstall the battery pack. If it is still not charged, go to the next section.

Checking the battery pack

Battery charging does not start until the Power Meter shows that less than 95% of the total power remains; under this condition the battery pack can charge to 100% of its capacity. This protects the battery pack from being overcharged or from having a shortened life.

To check your battery, move your cursor to the Power Meter icon in the icon tray of the Windows® taskbar and wait for a moment (but do not click it), and the percentage of battery power remaining is displayed. To get detailed information about the battery, double-click the Power Meter icon.

Note: If the battery pack becomes hot, it may not be able to be charged. Remove it from the computer and leave it at room temperature for a while. After it cools down, reinstall and recharge it.

Related service information

This chapter presents the following information:

- “Restoring the factory contents by using Recovery Disc Set” on page 23
- “Passwords” on page 24
- “Power management” on page 25

Restoring the factory contents by using Recovery Disc Set

When the hard disk drive or solid state drive is replaced because of a failure, no product recovery program is on the new drive. In this case, you must use the *Recovery Disc Set* for the computer. Order the *Recovery Disc Set* and the drive at the same time so that you can recover the new drive with the pre-installed software when they arrive.

The *Recovery Disc Set* consists of the following set of DVDs to restore the computer to the original factory configuration.

Start Recovery Disc (one disc)

This disc is used to format the hard disk drive and initiate the recovery process.

Operating System Recovery Disc (one or more discs)

This disc restores the Microsoft Windows operating system.

Applications and Drivers Recovery Disc (one or more discs)

This disc restores the pre-installed applications and drivers on the computer.

Supplemental Recovery Disc

This disc contains additional content, such as software for specific models and updates to the software that was preloaded on the computer. Not all recovery disc sets come with a *Supplemental Recovery Disc*.

To restore the computer to the original factory configuration using the recovery disc set, do the following:

1. Insert the bootable *Start Recovery Disc* into the optical drive.
2. Start the computer. When the Lenovo logo comes up, immediately press F12; on the boot sequence menu, select the optical drive as the first boot-up device. The computer will boot from the *Start Recovery Disc*. Follow the on-screen instructions to begin the recovery process.
3. Read the license. If you agree with the terms, select **I accept these terms and conditions** and then click **Next**.
4. Insert the **Operating System Recovery Disc** when prompted and click **Yes** to begin the operating system recovery process.
5. Insert the *Applications and Drivers Recovery Disc* when prompted and then click **OK** to begin the applications and drivers recovery process.
6. If you have a *Supplemental Recovery Disc*, insert it when prompted and click **Yes**. If you do not have a *Supplemental Recovery Disc*, click **No**.

7. When all of the data has been copied from the last disc in the set, remove the disc and restart the computer.

Note: The remainder of the recovery process is fully automated and no action is required by you. The computer will restart into the Windows desktop several times and you might experience periods when no activity is apparent on the screen for several minutes at a time. This is normal.

8. When the recovery process is complete, the Welcome to the Microsoft Windows screen is displayed. Follow the instructions on the screen to complete the Windows setup.

Passwords

As many as three passwords may be needed for any Lenovo computer: the power-on password (POP), the hard disk password (HDP), and the supervisor password (SVP).

If any of these passwords has been set, a prompt for it appears on the screen whenever the computer is turned on. The computer does not start until the password is entered.

Exception: If only an SVP is installed, the password prompt does not appear when the operating system is booted.

Power-on password

A power-on password (POP) protects the system from being powered on by an unauthorized person. The password must be entered before an operating system can be booted.

Hard-disk password

There are two hard-disk passwords (HDPs):

+ User HDP - for the user

+ Master HDP - for the system administrator, who can use it to get access to the hard disk drive even if the user has changed the user HDP

Attention: If the user HDP has been forgotten, check whether a master HDP has been set. If it has, it can be used for access to the hard disk drive. If no master HDP is available, neither Lenovo nor Lenovo authorized service technicians provide any services to reset either the user or the master HDP, or to recover data from the hard disk drive. The hard disk drive can be replaced for a scheduled fee.

Supervisor password

A supervisor password (SVP) protects the system information stored in the BIOS Setup Utility. The user must enter the SVP in order to get access to the BIOS Setup Utility and change the system configuration.


Attention: If the SVP has been forgotten and cannot be made available to the servicer, there is no service procedure to reset the password. The system board must be replaced for a scheduled fee.


Power management

Note: Power management modes are not supported for APM operating system.

To reduce power consumption, the computer has three power management modes: screen blank, sleep (standby), and hibernation.

Screen blank state

If the time set on the “Turn off monitor” timer in the operating system expires, the LCD backlight turns off. You can also turn off the LCD backlight by pressing .

To end screen blank state and resume normal operation, press .

Putting the computer to sleep or shutting it down

When you have finished working with your computer, you can put it to sleep or shut it down.

Putting your computer to sleep

If you will be away from your computer for only a short time, put the computer to sleep.

When the computer is in sleep mode, you can quickly wake it to resume use, bypassing the startup process.

To put the computer to sleep, do one of the following:

- Close the display lid.
- Press the power key.
- Perform the following based on the operating system.

For the Windows 7 operating system:

Click **Start**  → **Sleep**.

For the Windows 10 operating system:

Move the cursor to the lower-left corner, and then select the Start button. Select

Power  → **Sleep**.

Note: Put your computer to sleep before you move it. Moving your computer while the hard disk drive is spinning can damage the hard disk, causing loss of data.

To wake the computer, do one of the following:

- Press any key on the keyboard.
- Press the power key.

Shutting down the computer

If you are not going to use your computer for a long time, shut it down.

To shut down your computer, do one of the following:

- **For the Windows 7 operating system:**

Click **Start**  → **Shut down**.

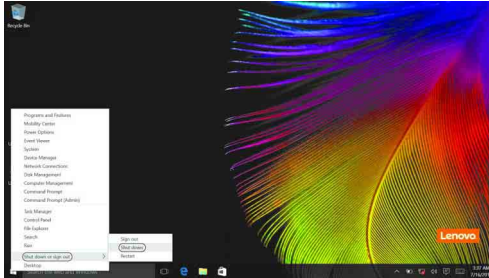
- **For the Windows 10 operating system:**

Move the cursor to the lower-left corner, and then select the Start button.

Select **Power**  → **Shut down**.



- Right-click the Start button in the lower-left corner and select **Shut down or sign out** → **Shut down**.



Lenovo E41-10/E41-15

This chapter presents the following product-specific service references and product-specific parts information:

- “Specifications” on page 27
- “Status indicators” on page 29
- “FRU tests” on page 31
- “FRU replacement notices” on page 32
- “Removing and replacing an FRU” on page 33
- “Locations” on page 62
- “Parts list” on page 65

Specifications

The following table lists the specifications of the Lenovo E41-10/E41-15:

Table 1. Specifications

	E41-10	E41-15
Form Factor		
Dimensions	Appr. 340 mm × 245 mm × 22.7 mm	
Weight	Appr. 2.1 kg	
LCD size	14.0-inch	
Processor		
Windows® 7: Click Start , right-click Computer , and then click Properties .		
Windows® 10: Click Start , right-click File Explorer , and then click Properties .		
Memory		
Type and speed	DDR3L-1333 MHz	DDR3L-1600 MHz
Maximum supported capacity	4 GB	4 GB
Slots	SODIMM × 1	
Hard disk drive		
Form factor	2.5-inch, 9.5 mm/7 mm	
Capacity	250 GB/500 GB/1 TB	
Interface	SATA III	
Optical drive (on select models)		
Form factor	9.0 mm	
Type	Rambo	
Display		
Display resolution (LCD)	16:9 (1366 × 768 pixels HD)	
LCD backlight	LED	

I/O Ports	
USB	USB 3.0 × 1, USB 2.0 × 2; or USB 3.0 × 1, USB 2.0 × 1
Audio	Combo audio jack × 1
Communication	RJ-45 × 1
Video/Audio	HDMI slot × 1
Video	VGA port × 1
Memory card slot	4 in 1 slot × 1 (SD/SDHC/SDXC/MMC)
Battery pack	
Type	Li-ion battery pack
Cells/Capacity	4 cells, 32 Wh or 4 cells, 41 Wh or 6 cells, 48 Wh
Note: The capacity given here is the typical or average capacity as measured in a specific test environment. Capacities measured in other environments may differ but are no lower than the rated capacity (see product label).	
AC power adapter	
Input	100-240 V, 50-60 Hz
Output voltage	20 V DC
Power	45 W
Miscellaneous	
Camera (on select models)	0.3 M
Security	Kensington Mini Security slot × 1
Bus architecture	
1333MHz DDR3L SDRAM 1600MHz DDR3L SDRAM	
CMOS	
PCI Express bus SMB	

Status indicators

The system status indicators below show the computer status:
E41-10/E41-15:

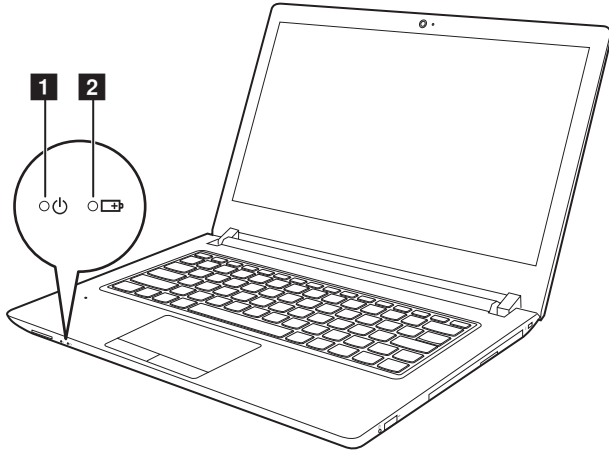


Table 2. Status indicators

Power status indicator 

Indicator	Indicator status	Meaning
Power status indicator	On (solid white)	The computer is powered on.
	Blinking	The computer is in sleep mode.
	Off	The computer is powered off.

Table 2. Status indicators (continued)

**Battery/
Charging
status
indicator**



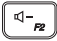

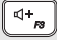







AC power adapter status	Indicator status	Meaning
Disconnected	Off	The computer is in sleep mode or turned off; The battery has more than 20% charge.
	Solid amber	The battery has between 5% and 20% charge.
	Fast blinking amber	The battery has between 1% and 5% charge.
Connected	Slow blinking amber	The battery is being charged. When battery charge reaches 20%, the blinking color changes to white.
	Slow blinking white	The battery has between 20% and 80% charge and is still charging. When the battery reaches 80% charge the light will stop blinking.
	Solid white	The battery has more than 80% charge, charging will continue until the battery is fully charged.

Hotkeys

The hotkeys are located in the function key row of the keyboard. By pressing the appropriate hotkey, you can change system settings instantly.

The following describes the function of each hotkey.

Table 3. Hotkeys

 F1	Mutes/unmutes the sound.	 F7	Enables/disables airplane mode.
 F2	Decreases the volume level.	 F8	Enables/disables camera.
 F3	Increases the volume level.	 F9	Locks/unlocks the LCD screen.
 F4	Enables/disables microphone.	 F10	Enables the external projector or dangles the external display.
 F5	Refreshes page.	 F11	Decreases display brightness.
 F6	Enables/disables the touch pad.	 F12	Increases display brightness.

FRU replacement notices

This section presents notices related to removing and replacing parts. Read this section carefully before replacing any FRU.

Screw notices

Loose screws can cause a reliability problem. In the Lenovo computer, this problem is addressed with special nylon-coated screws that have the following characteristics:

- They maintain tight connections.
- They do not easily come loose, even with shock or vibration.
- They are harder to tighten.
- Each one should be used only once.

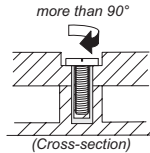
Do the following when you service this machine:

- Keep the screw kit in your tool bag.
- Carefully remove screws for reuse when replacing FRUs.
- Use a torque screwdriver if you have one.

Tighten screws as follows:

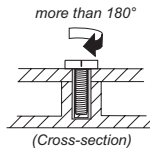
- **Plastic to plastic**

Turn an additional 90° after the screw head touches the surface of the plastic part:



- **Logic card to plastic**

Turn an additional 180° after the screw head touches the surface of the logic card:



- **Torque driver**

If you have a torque screwdriver, refer to the "Torque" column for each step.

- Make sure that you use the correct screws. If you have a torque screwdriver, tighten all screws firmly to the torque shown in the table. **Never use a screw that you removed. Use a new one. Make sure that all screws are tightened firmly.**
- Ensure torque screwdrivers are calibrated correctly following country specifications.

Removing and replacing an FRU

This section presents exploded figures with the instructions to indicate how to remove and replace the FRU. Make sure to observe the following general rules:

1. Do not attempt to service any computer unless you have been trained and certified. An untrained person runs the risk of damaging parts.
2. Before replacing any FRU, review “FRU replacement notices” on page 32.
3. Begin by removing any FRUs that have to be removed before the failing FRU. Any of such FRUs are listed at the top of the page. Remove them in the order in which they are listed.
4. Follow the correct sequence in the steps to remove the FRU, as given in the figures by the numbers in square callouts.
5. When turning a screw to replace an FRU, turn it in the direction as given by the arrow in the figure.
6. When removing the FRU, move it in the direction as given by the arrow in the figure.
7. To put the new FRU in place, reverse the removal procedures and follow any of the notes that pertain to replacement. For information about connecting and arranging internal cables, see “Locations” on page 62.
8. When replacing an FRU, use the correct screw as shown in the procedures.

DANGER

Before removing any FRU, turn off the computer, unplug all power cords from electrical outlets, remove the battery pack, and then disconnect any of the interconnecting cables.

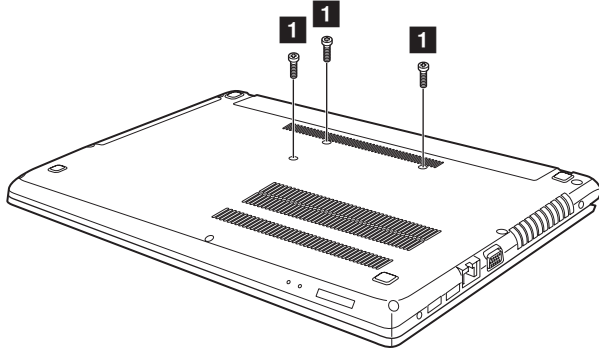
Attention: After replacing an FRU, do not turn on the computer until you have made sure that all screws, springs, and other small parts are in place and none are loose inside the computer. Verify this by shaking the computer gently and listening for rattling sounds. Metallic parts or metal flakes can cause electrical short circuits.

Attention: The system board is sensitive to, and can be damaged by, electrostatic discharge. Before touching it, establish personal grounding by touching a ground point with one hand or using an electrostatic discharge (ESD) strap (P/N 6405959) to remove potential shock reasons.

1010 Keyboard

Figure 1. Removal steps of keyboard

Remove the screws **1**.



Step	Screw (quantity)	Color	Torque
1	M2.5 × 6 mm, flat-head, nylok-coated(3)	Black	1.85+/-0.15 kgfcm

Loosen the keyboard with fingers in the direction shown by arrow **2**.

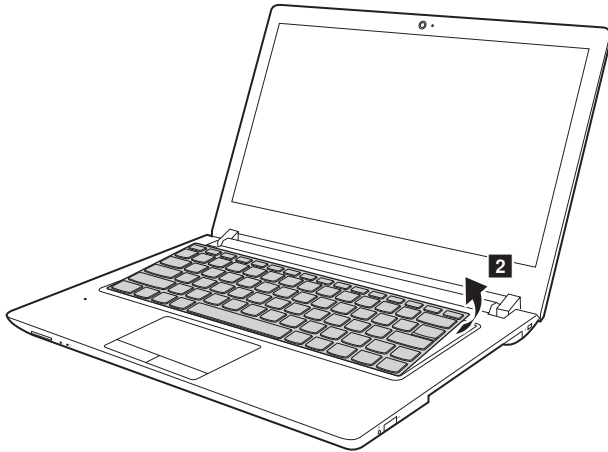
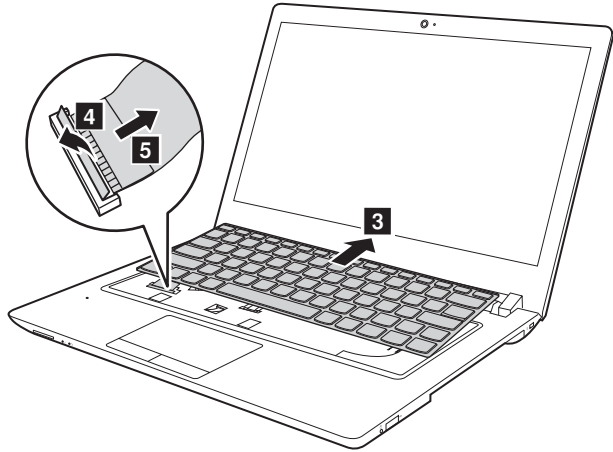


Figure 1. Removal steps of keyboard (continued)

Lift the keyboard a little **3**. Pull the keyboard connector slot cover upward as shown by arrow **4**, detach the keyboard cable from the keyboard connector in the direction shown by arrow **5**.



When installing: Make sure that the FPC connector is attached firmly.

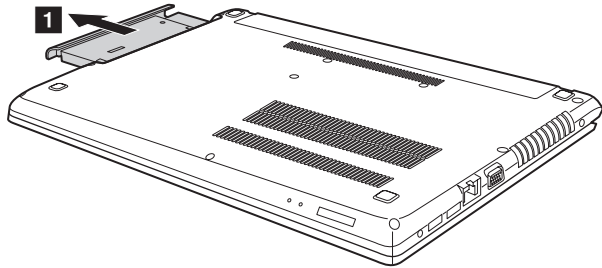
1020 Optical drive

For access, remove this FRU:

- “1010 Keyboard” on page 34

Figure 2. Removal steps of optical drive

Pull the optical drive out in the direction shown by arrow **1**.



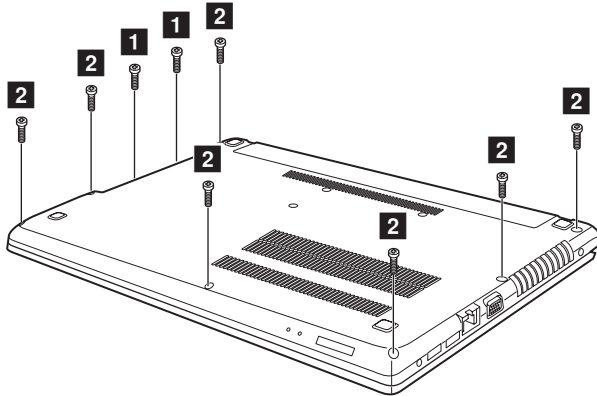
1030 Base cover

For access, remove these FRUs in order:

- “1010 Keyboard” on page 34
- “1020 Optical drive” on page 36

Figure 3. Removal steps of base cover

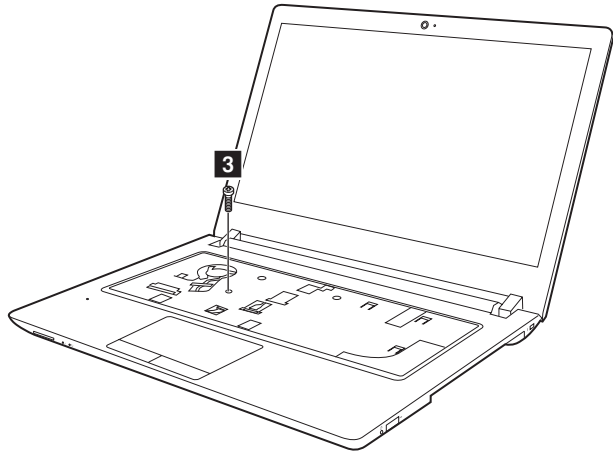
Loosen the screws **1** **2** that secure the compartment cover.



Step	Screw (quantity)	Color	Torque
1	M2.5 × 6 mm, flat-head, nylok-coated (8)	Black	2.0~2.5 kgfcm
	M2 × 2 mm, flat-head, nylok-coated (2)	Black	1.0~1.5 kgfcm

Figure 3. Removal steps of base cover (continued)

Remove the screw **3** .



Step	Screw (quantity)	Color	Torque
2	M2.5 × 6 mm, flat-head, nylok-coated (1)	Black	2.0~2.5 kgfcm

1040 Battery pack

For access, remove these FRUs in order:

- “1010 Keyboard” on page 34
- “1020 Optical drive” on page 36
- “1030 Base cover” on page 37

⚠ DANGER

Only use the battery specified in the parts list for your computer. Any other battery could ignite or explode.

Figure 4. Removal steps of battery pack

Unplug the battery connector in the direction shown by arrow **1**.

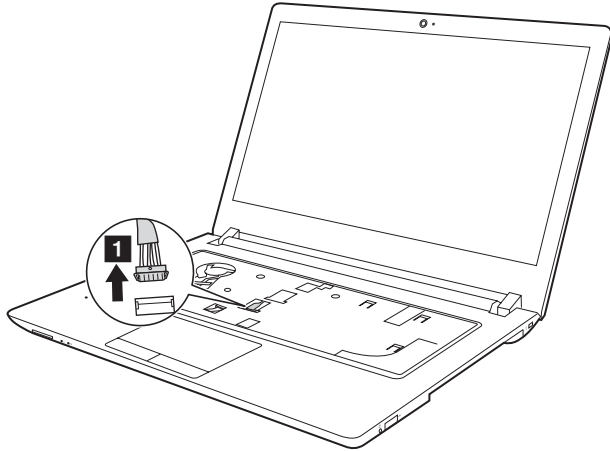
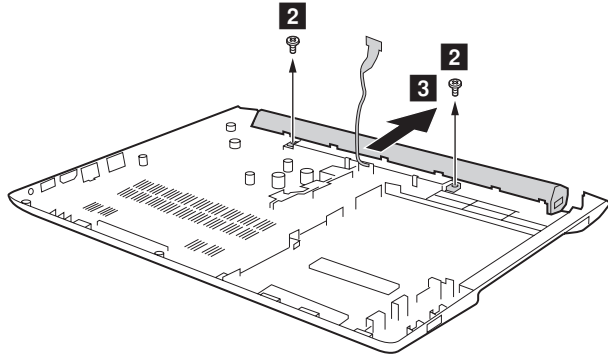


Figure 4. Removal steps of battery pack (continued)

Remove the screws **2**. Remove the battery pack in the direction shown by arrow **3**.



Step	Screw (quantity)	Color	Torque
1	M2 × 5 mm, flat-head, nylok-coated (2)	Silver	1.5~2.0 kgfcm

When installing: Make sure that the battery connector is attached firmly.

1050 Hard disk drive

For access, remove these FRUs in order:

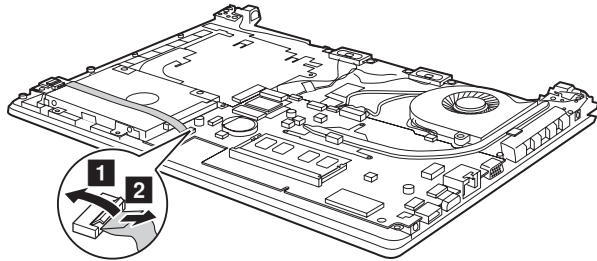
- “1010 Keyboard” on page 34
- “1020 Optical drive” on page 36
- “1030 Base cover” on page 37
- “1040 Battery pack” on page 39

Attention:

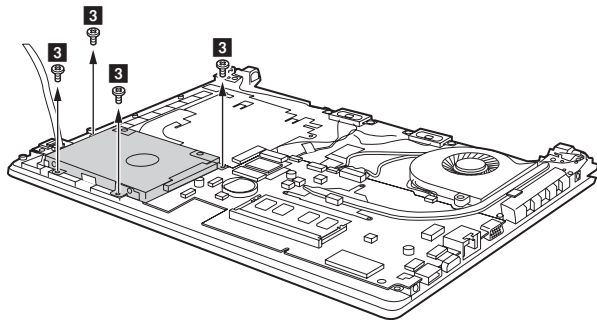
- **Do not drop the hard disk drive or apply any physical shock to it.**
The hard disk drive is sensitive to physical shock. Improper handling can cause damages and permanent loss of data.
- Before removing the drive, suggest the customer to backup all the information on it if possible.
- Never remove the drive while the system is operating or is in suspend mode.

Figure 5. Removal steps of hard disk drive

Detach the IO board connector in the direction shown by arrows **1**, **2**.



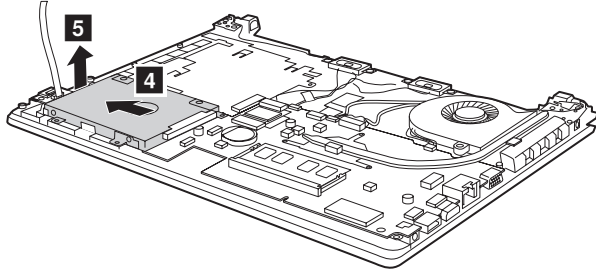
Remove the frame fixing screws **3**.



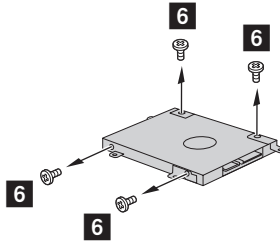
Step	Screw (quantity)	Color	Torque
1	M2 × 4 mm, flat-head, nylok-coated (3)	Silver	1.5~2.0 kgfcm

Figure 5. Removal steps of hard disk drive (continued)

Detach the HDD connector in the direction shown by arrow **4**. Remove the hard disk drive from the slot in the direction shown by arrow **5**.



Remove the four screws **6** and detach the metal frame from the hard disk drive.



Step	Screw (quantity)	Color	Torque
4	M3.0 × 3.0 mm, flat-head, nylok-coated (4)	Silver	3.0+/-0.3 kgfcm

When installing: Make sure that the HDD connector is attached firmly.

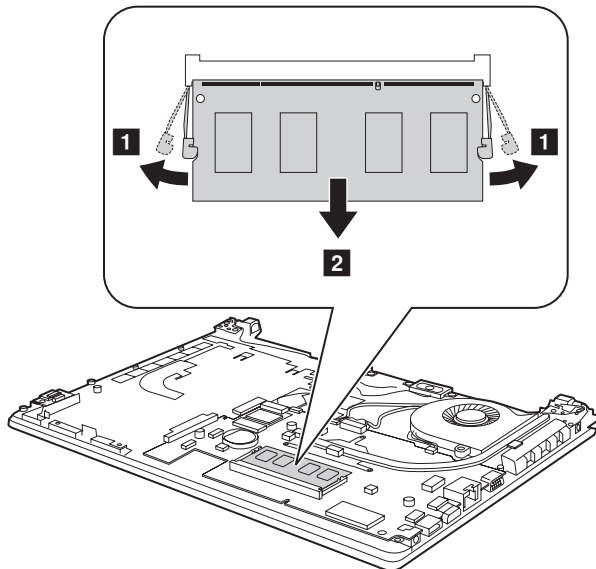
1060 DIMM

For access, remove these FRUs in order

- “1010 Keyboard” on page 34
- “1020 Optical drive” on page 36
- “1030 Base cover” on page 37
- “1040 Battery pack” on page 39

Figure 6. Removal steps of DIMM

Release the two latches on both edges of the socket at the same time in the direction shown by arrows **1**, and then unplug the DIMM in the direction shown by arrow **2**.



When installing: Insert the notched end of the DIMM into the socket. Push the DIMM firmly, and pivot it until it snaps into the place. Make sure that it is firmly fixed in the slot and difficult to be moved.

1070 PCI Express Mini Card for wireless LAN/WAN

For access, remove these FRUs in order

- “1010 Keyboard” on page 34
- “1020 Optical drive” on page 36
- “1030 Base cover” on page 37
- “1040 Battery pack” on page 39

Important:

The preinstalled WLAN module may only be replaced with a Lenovo approved module in order to comply with FCC and IC regulations. Refer to Table 4 “Parts list—Overall” on page 67 for Lenovo part numbers for the approved modules.

Figure 7. Removal steps of PCI Express Mini Card for wireless LAN/WAN

Remove the WLAN card sponge.

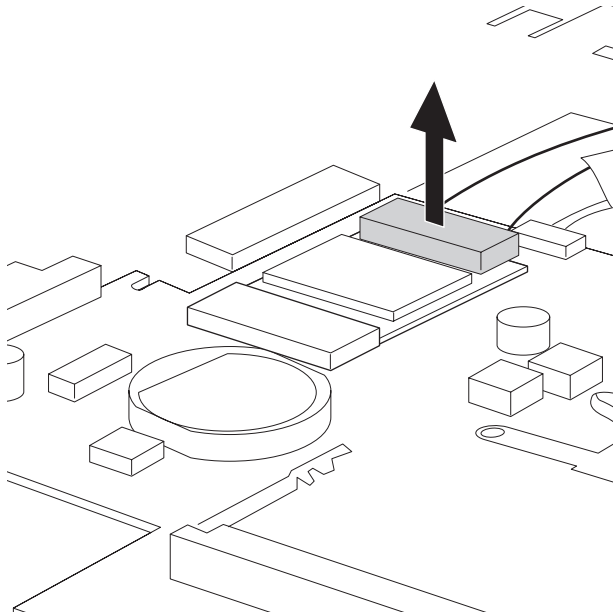
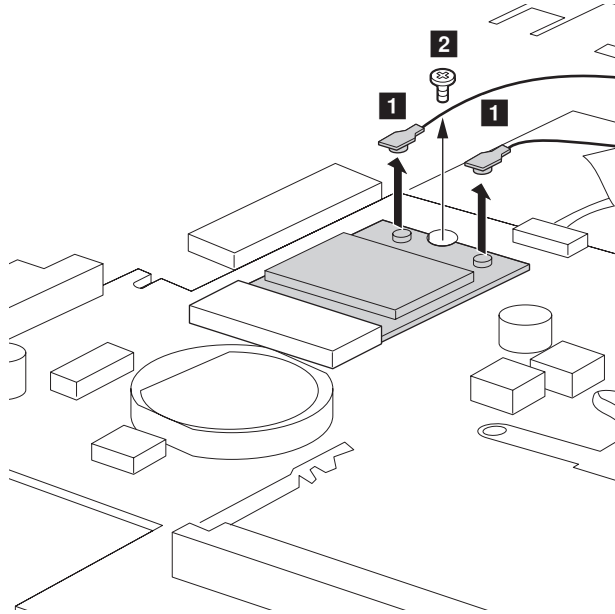


Figure 7. Removal steps of PCI Express Mini Card for wireless LAN/WAN (continued)
 Disconnect the two wireless LAN cables (black, white) **1**, and then remove the screw **2**.



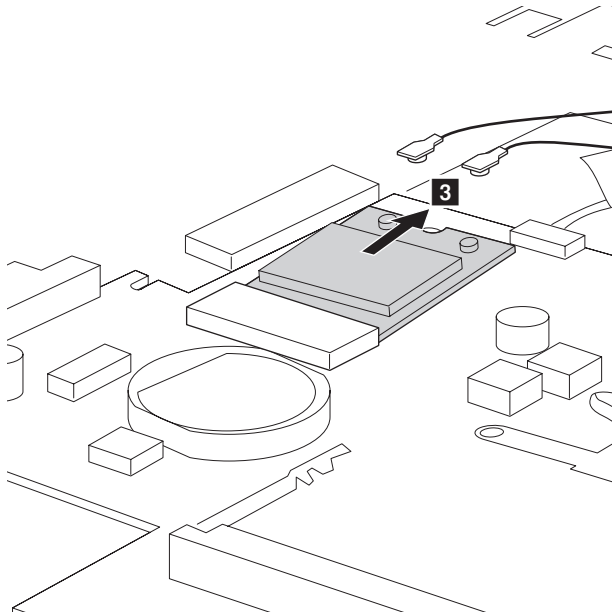
In step **1**, unplug the jacks by using the removal tool antenna RF connector (P/N: 08K7159), or pick up the connectors with your fingers and gently unplug them in the direction shown by arrows.

Notes: wireless LAN card has 2 cables in step **1**.
 wireless LAN card in some models may have 3 cables in step **1**.

Step	Screw (quantity)	Color	Torque
2	M2 × 3.0 mm, flat-head, nylok-coated (1)	Black	1.0~1.5 kgfcm

Figure 7. Removal steps of PCI Express Mini Card for wireless LAN/WAN (continued)

Remove the card in the direction shown by arrow **3**.



When installing:

- In models with a wireless LAN card that has two antenna connectors, plug the black cable (1st) (MAIN) into the jack labeled **1**, and the white cable (2nd) (AUX) into jack labeled **2** on the card.
- In models with a wireless LAN card that has three antenna connectors, plug the black cable (1st) (MAIN) into the jack labeled **1**, the grey cable (3rd) into jack labeled **3**, and the white cable (2nd) (AUX) into jack labeled **2** on the card.

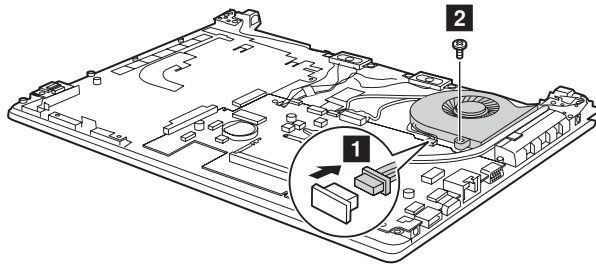
1080 Fan assembly and Heat Sink assembly

For access, remove these FRUs in order

- “1010 Keyboard” on page 34
- “1020 Optical drive” on page 36
- “1030 Base cover” on page 37
- “1040 Battery pack” on page 39

Figure 8. Removal steps of fan assembly and heat sink assembly

Unplug the fan connector in the direction shown by arrow **1**. Remove the screw **2**.



Step	Screw (quantity)	Color	Torque
3	M2 × 5 mm, Phillips head, nylok-coated (1) fan---mb---log up & fan---log up	Silver	1.5~2.0 kgf*cm

When installing: Make sure that the connector is attached firmly.

Remove the fan in the direction shown by arrow **3**. Be careful not to damage the connector.

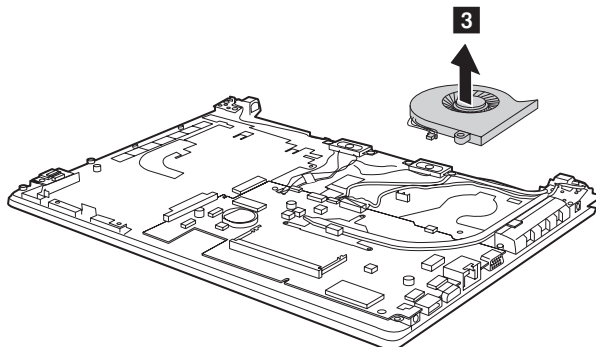
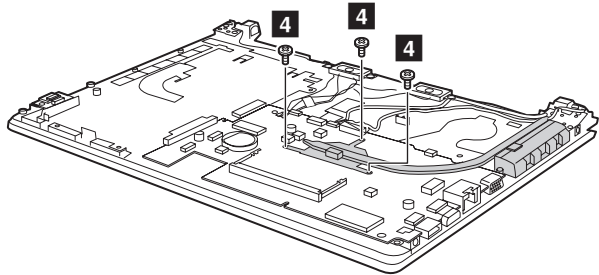


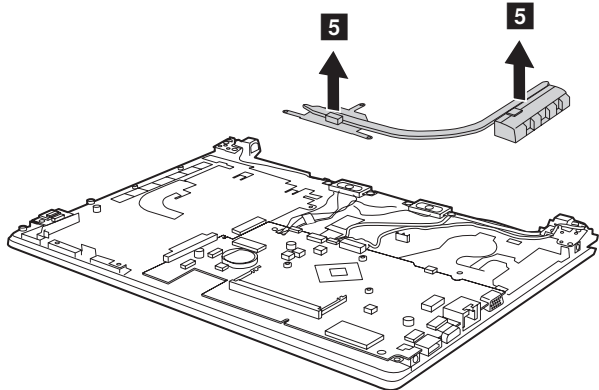
Figure 8. Removal steps of fan assembly and heat sink assembly (continued)

Remove the screws **4**.



Step	Screw (quantity)	Color	Torque
5	M2 × 3 mm, Phillips head, nylok-coated (3 cpu thermal module---cpu plate & vga thermal module---MB)	Black	1.0~1.5 kgf*cm

Lift the heat sink in the direction shown by arrows **5**.



1090 System board

Important notices for handling the system board:

When handling the system board, bear the following in mind.

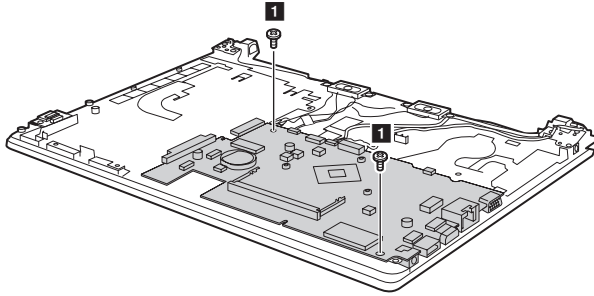
- Be careful not to drop the system board on a bench top that has a hard surface, such as metal, wood, or composite.
- Avoid rough handling of any kind.
- In the whole process, make sure not to drop or stack the system board.
- If you put a system board down, make sure to put it only on a padded surface such as an ESD mat or conductive corrugated material.

For access, remove these FRUs in order:

- “1010 Keyboard” on page 34
- “1020 Optical drive” on page 36
- “1030 Base cover” on page 37
- “1040 Battery pack” on page 39
- “1050 Hard disk drive” on page 41
- “1060 DIMM” on page 43
- “1070 PCI Express Mini Card for wireless LAN/WAN” on page 44
- “1080 Fan assembly and Heat Sink assembly” on page 47

Figure 9. Removal steps of system board (continued)

Remove the screws **1**.



Step	Screw (quantity)	Color	Torque
1	M2 × 3 mm, flat-head, nylok-coated (2)	Black	1.0~1.5 kgfcm

Unplug DC-IN cable connector in the direction shown by arrow **3**, speakers connector in the direction shown by arrow **2**, disconnect LCD connector in the direction shown by arrow **4**.

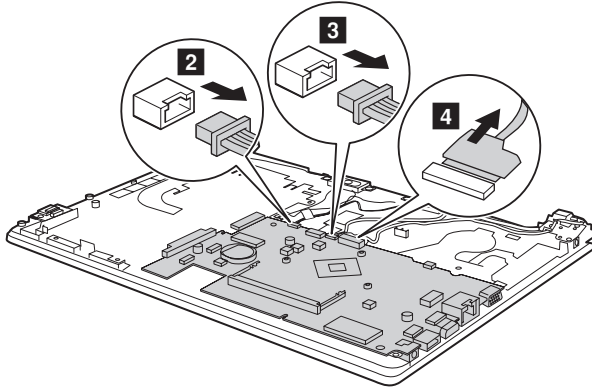
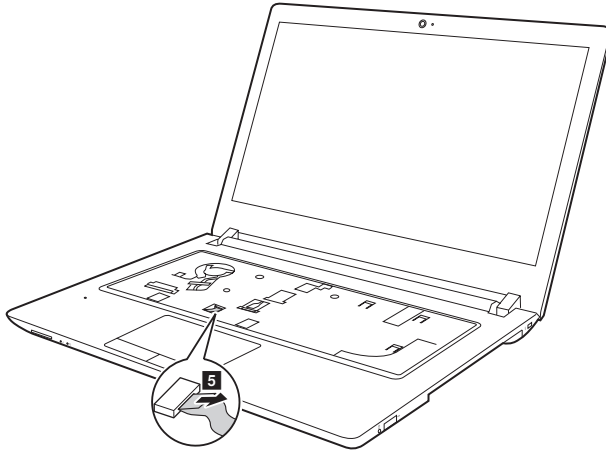


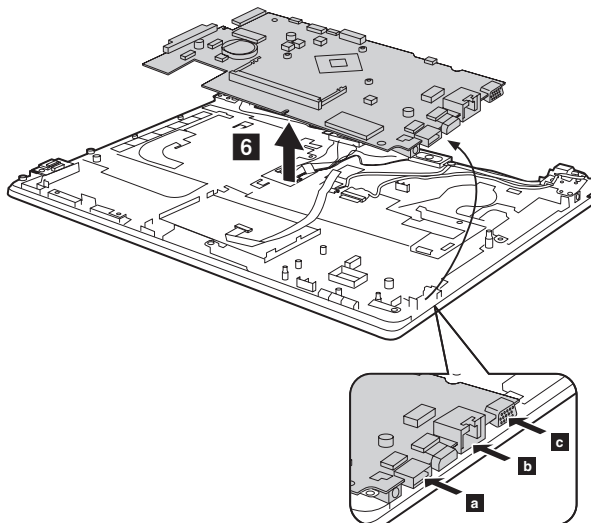
Figure 9. Removal steps of system board (continued)

Detach touch pad connector in the direction shown by arrow **5**.



When installing: Make sure that all the connectors are attached firmly.

Remove the system board in the direction shown by arrow **6**.



When installing: When attaching the system board to the base cover, adjust the placement of the USB, RJ-45, HDMI ports as shown in **a** **b** **c**, and make sure that they are attached to the holes on the base cover as shown. Improper placement of those jacks might cause a damage.

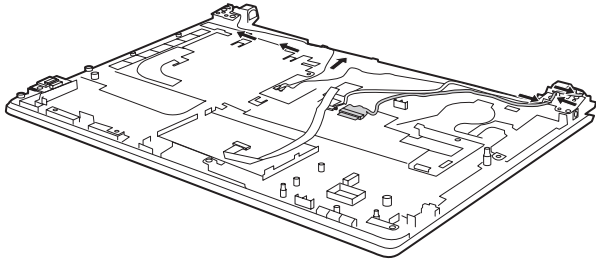
1100 LCD unit

For access, remove these FRUs in order

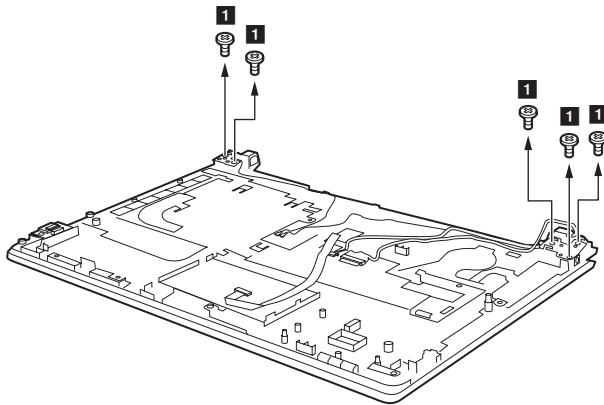
- “1010 Keyboard” on page 34
- “1020 Optical drive” on page 36
- “1030 Base cover” on page 37
- “1040 Battery pack” on page 39
- “1050 Hard disk drive” on page 41
- “1060 DIMM” on page 43
- “1070 PCI Express Mini Card for wireless LAN/WAN” on page 44
- “1080 Fan assembly and Heat Sink assembly” on page 47
- “1090 System board” on page 49

Figure 10. Removal steps of LCD unit

Release the cables from the cable guides in the direction shown by arrows.



Remove the screws **1**.



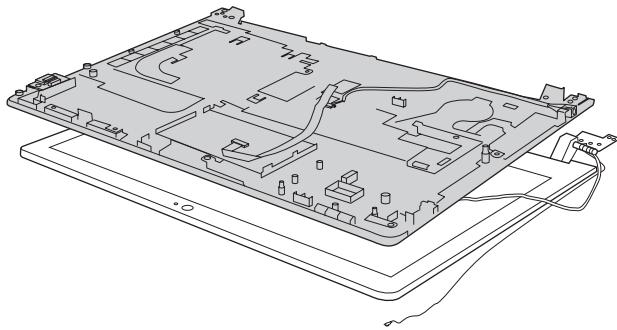
Step	Screw (quantity)	Color	Torque
1	M2.5 × 6 mm, flat-head, nylok-coated (5)	Black	2.0~2.5 kgfcm

Figure 10. Removal steps of LCD unit (continued)

When installing:

- Route the antenna cables along the cable guides. As you route the cables, make sure that they are not subjected to any tension. Tension could cause the cables to be damaged by the cable guides, or a wire to be broken.
- Make sure that the LCD connector is attached firmly and make sure that you do not pinch the antenna cables when you attach the LCD assembly. Route the LCD cable along the cable guides.

Detach the LCD unit from the upper case.



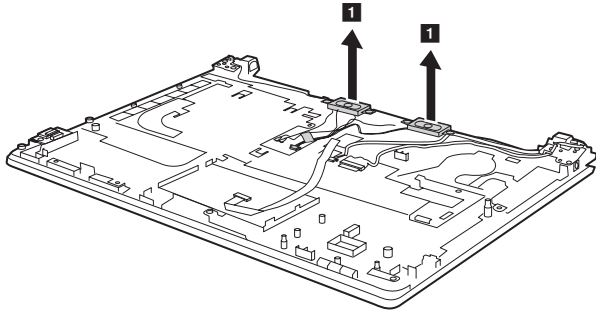
1110 Speakers, base cover, IO board, and DC-IN

For access, remove these FRUs in order:

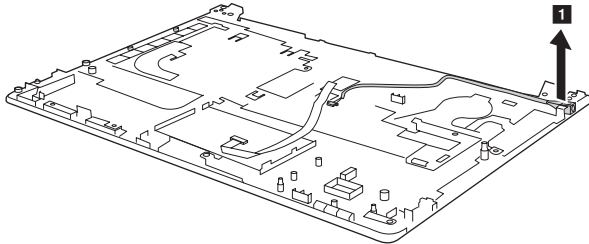
- “1010 Keyboard” on page 34
- “1020 Optical drive” on page 36
- “1030 Base cover” on page 37
- “1040 Battery pack” on page 39
- “1050 Hard disk drive” on page 41
- “1060 DIMM” on page 43
- “1070 PCI Express Mini Card for wireless LAN/WAN” on page 44
- “1080 Fan assembly and Heat Sink assembly” on page 47
- “1090 System board” on page 49
- “1100 LCD unit” on page 52

Figure 11. Speakers, base cover, IO board, and DC-IN

Remove the speakers in the direction shown by arrows **1**.



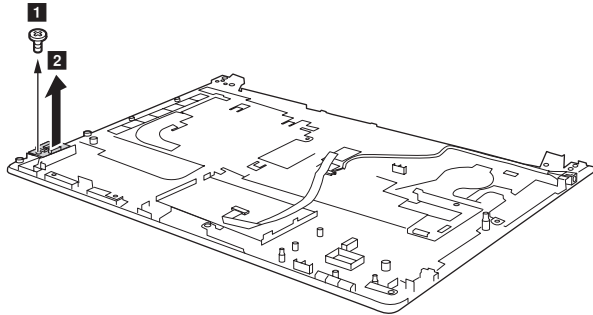
Remove the DC-IN in the direction shown by arrow **1**.



When installing: Make sure that the power connector is attached firmly.

Figure 11. Speakers, base cover, IO board, and DC-IN (continued)

Remove the screw **1**. Remove the IO board in the direction shown by arrow **2**.

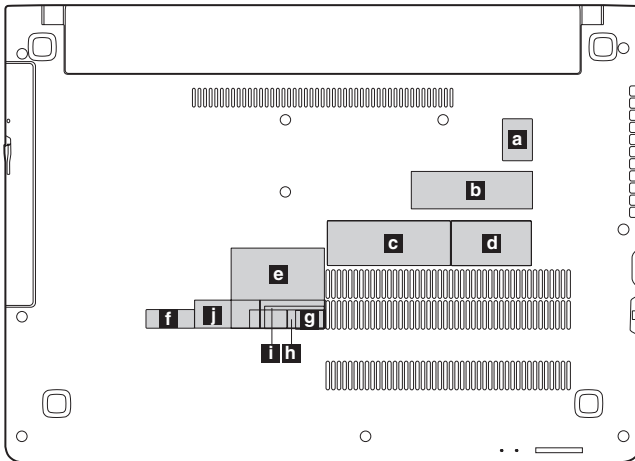


Step	Screw (quantity)	Color	Torque
1	M2 × 4 mm, flat-head, nylokcoated (1)	Silver	1.5~2.0 kgfcm

Applying labels to the base cover

The new base cover FRU is shipped with a kit containing labels of several kinds. Apply those labels when you replace the base cover. For labels which are not shipped with the new base cover, peel them from the replaced base cover and adhere them to the new one.

Note: If the Certificate of Authenticity (COA) label (b) is attached to a replaced part, return the replaced part to the customer, or provide a letter to the customer stating the original label part number, serial number, and product key.



The following letter shows the correct location of each label. Not all labels are attached on the part you are servicing.

- a** GML label
- b** Adapter label
- c** Rating label
- d** Rating print label
- e** KCC label
- f** Indonesia rating label
- g** WLAN/BT Label for Malaysia/Indonesia
- h** WLAN/BT Label for South Africa
- i** WLAN/BT Label for Isarel/US/CA/TW
- j** WLAN/BT Label for Brazil

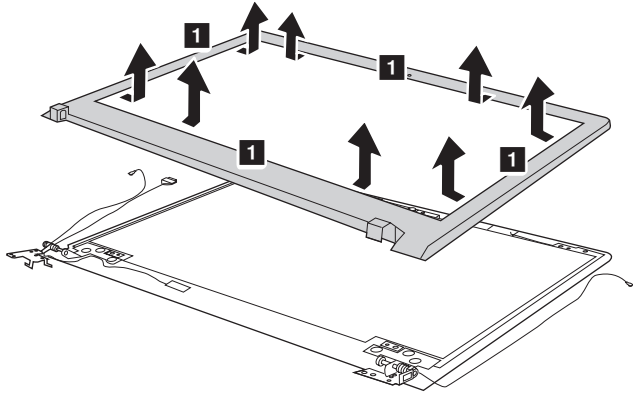
1120 LCD front bezel

For access, remove these FRUs in order:

- “1010 Keyboard” on page 34
- “1020 Optical drive” on page 36
- “1030 Base cover” on page 37
- “1040 Battery pack” on page 39
- “1050 Hard disk drive” on page 41
- “1060 DIMM” on page 43
- “1070 PCI Express Mini Card for wireless LAN/WAN” on page 44
- “1080 Fan assembly and Heat Sink assembly” on page 47
- “1090 System board” on page 49
- “1100 LCD unit” on page 52
- “1110 Speakers, base cover, IO board, and DC-IN” on page 54

Figure 12. Removal steps of LCD front bezel

Remove the LCD front bezel in the direction by arrows **1**.



1130 LCD panel, LCD cable and hinges

For access, remove these FRUs in order:

- “1010 Keyboard” on page 34
- “1020 Optical drive” on page 36
- “1030 Base cover” on page 37
- “1040 Battery pack” on page 39
- “1050 Hard disk drive” on page 41
- “1060 DIMM” on page 43
- “1070 PCI Express Mini Card for wireless LAN/WAN” on page 44
- “1080 Fan assembly and Heat Sink assembly” on page 47
- “1090 System board” on page 49
- “1100 LCD unit” on page 52
- “1110 Speakers, base cover, IO board, and DC-IN” on page 54
- “1120 LCD front bezel” on page 57

Figure 13. LCD panel, LCD cable and hinges

Remove screws **1**.

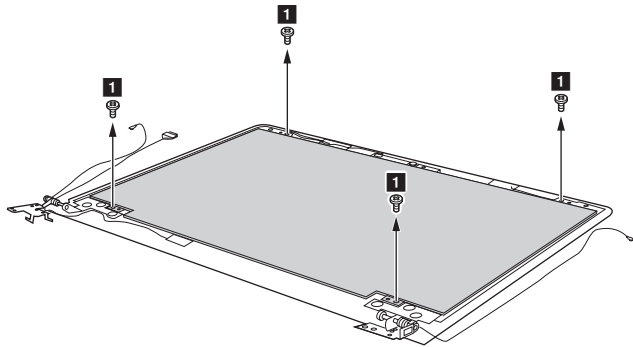
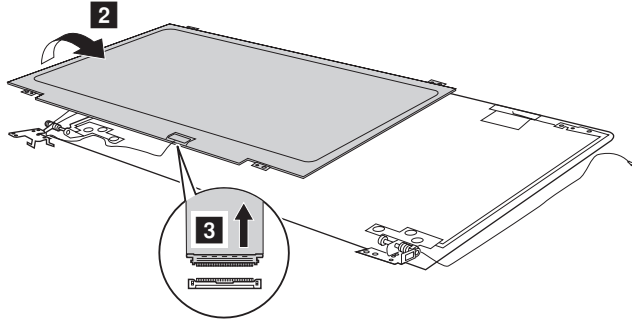


Figure 13. LCD panel, LCD cable and hinges (continued)

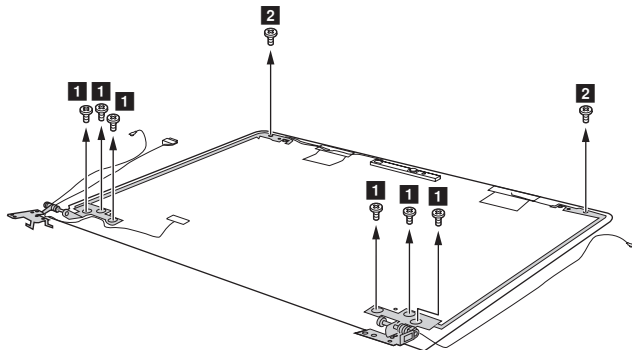
Turn over the LCD module in the direction as shown by arrow **2**. Disconnect the connector by arrow **3** to remove the LCD panel.



Step	Screw (quantity)	Color	Torque
1	M2.0 × 3 mm , flat-head, nylok-coated (4)	Black	1.0~1.5 kgfcm

When installing: Make sure that the LCD panel connector is attached firmly.

Remove screws **1** and **2**.



Step	Screw (quantity)	Color	Torque
4	M2.5 X 2.5, flat-head,nylok-coated (6)	Black	2.0~2.5 kgfcm
	M2.0 X 3, flat-head,nylok-coated (2)	Black	1.0~1.5 kgfcm

1140 Integrated camera

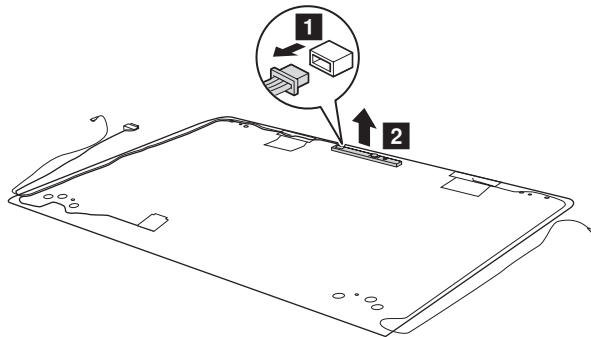
For access, remove these FRUs in order:

- “1010 Keyboard” on page 34
- “1020 Optical drive” on page 36
- “1030 Base cover” on page 37
- “1040 Battery pack” on page 39
- “1050 Hard disk drive” on page 41
- “1060 DIMM” on page 43
- “1070 PCI Express Mini Card for wireless LAN/WAN” on page 44
- “1080 Fan assembly and Heat Sink assembly” on page 47
- “1090 System board” on page 49
- “1100 LCD unit” on page 52
- “1110 Speakers, base cover, IO board, and DC-IN” on page 54
- “1120 LCD front bezel” on page 57
- “1130 LCD panel, LCD cable and hinges” on page 58

Figure 14. Removal steps of integrated camera

Note: The integrated camera is stuck on the top center of the LCD cover.

Unplug the connector in the direction shown by arrow **1**, remove the integrated camera from the LCD cover in the direction shown by arrow **2**.



When installing: Stick the integrated camera to the top center of the LCD cover and adjust the placement of it to make sure the connector is attached firmly.

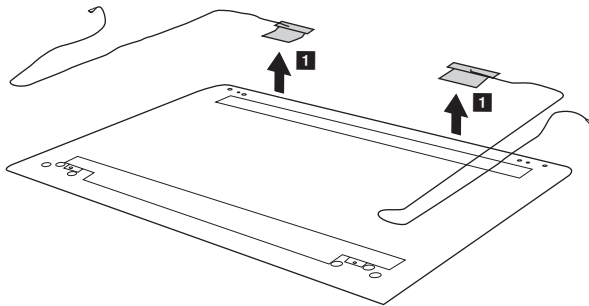
1150 Antenna assembly and LCD cover

For access, remove these FRUs in order:

- “1010 Keyboard” on page 34
- “1020 Optical drive” on page 36
- “1030 Base cover” on page 37
- “1040 Battery pack” on page 39
- “1050 Hard disk drive” on page 41
- “1060 DIMM” on page 43
- “1070 PCI Express Mini Card for wireless LAN/WAN” on page 44
- “1080 Fan assembly and Heat Sink assembly” on page 47
- “1090 System board” on page 49
- “1100 LCD unit” on page 52
- “1110 Speakers, base cover, IO board, and DC-IN” on page 54
- “1120 LCD front bezel” on page 57
- “1130 LCD panel, LCD cable and hinges” on page 58
- “1140 Integrated camera” on page 60

Figure 15. Removal steps of antenna assembly and LCD cover

Peel off the adhesive tapes securing the antenna boards, release the cables from the cable guide, and then remove the antenna assembly in the direction shown by arrows **1**.

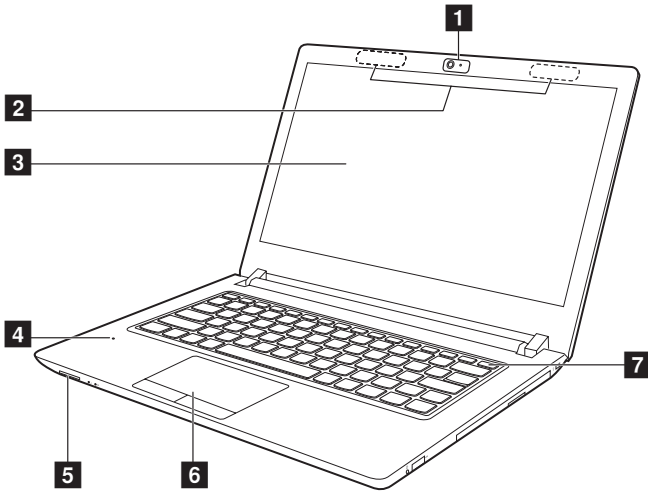


When installing: Route the antenna cables along the cable guides and secure the antenna boards with adhesive tapes. As you route the cables, make sure that they are not subjected to any tension. Tension could cause the cables to be damaged by the cable guides, or a wire to be broken.

Locations

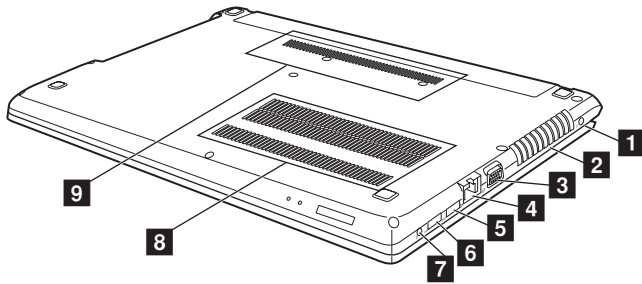
Front view

- 1** Integrated camera (on select models)
- 2** Wireless LAN antennas
- 3** Computer display
- 4** Built-in microphone
- 5** Memory card slot
- 6** Touch pad
- 7** Power Key



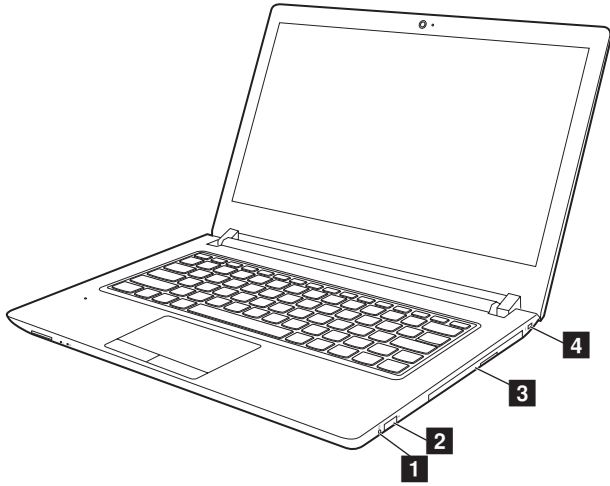
Bottom and Left-side view

- 1** AC power adapter jack
- 2** Ventilation slots
- 3** VGA port
- 4** RJ-45 port
- 5** HDMI port
- 6** USB 3.0 port
- 7** Combo audio jack
- 8** Ventilation slots
- 9** Speakers



Right-side view

- 1** Novo button
- 2** USB 2.0 port (on select models)
- 3** Optical drive
- 4** Kensington Mini Security slot



Parts list

This section presents the following service parts:

- “Overall” on page 66
- “LCD FRUs” on page 70
- “Keyboard” on page 72
- “Miscellaneous parts” on page 77
- “AC adapters” on page 78
- “Power cords” on page 80

Notes:

- Each FRU is available for all types or models, unless specific types or models are specified.

Overall

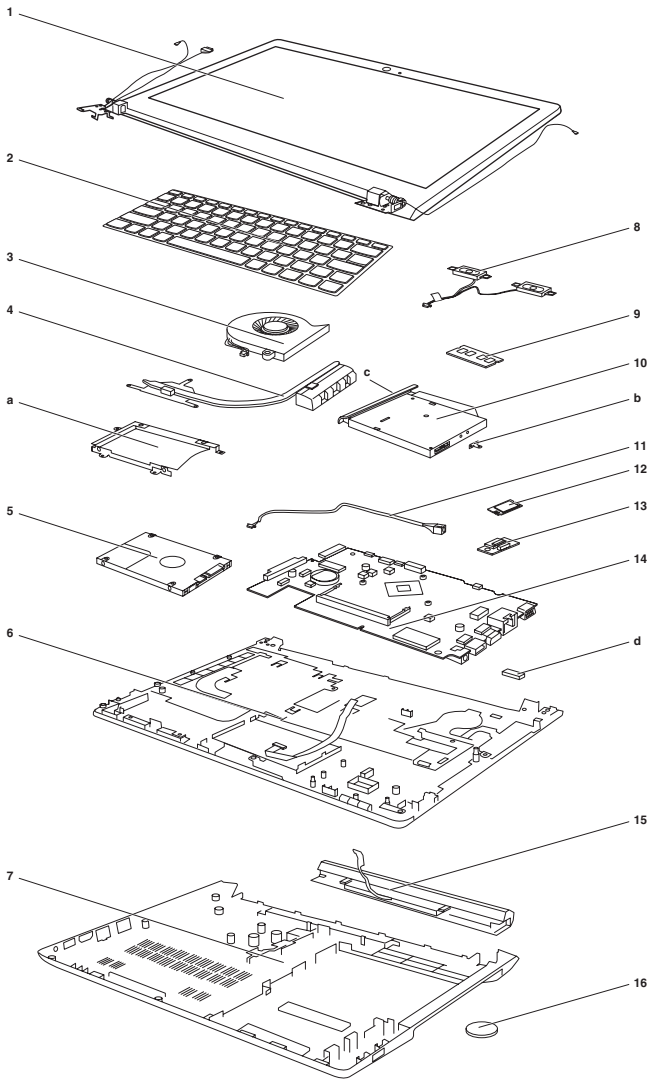


Table 4. Parts list—Overall

No.	FRU	FRU no.	CRU ID	E41-10	E41-15
1	LCD unit (see “LCD FRUs” on page 70.)				
2	Keyboard (see “Keyboard” on page 72.)				
3	FAN C E41-10	5F10L58139	N	●	●
4	Heatsink C E41-10	5H40L58162	N	●	
4	Heatsink C E41-15	5H40L58696	N		●
5	HDD, 250G 5400rpm, WD WD2500LPCX-24VHAT0	5H20J35763	N	●	●
5	HDD, 500G 5400rpm, ST500LT012 6G 7mm 5.4K 500G HDD	16200383	N	●	●
5	HDD, 500G 5400rpm, WD WD5000LPCX-24VHAT0	5H20J35762	N	●	●
5	HDD, 500G 5400rpm, MQ01ABF050 6G 7mm 5.4K 500G HDD	16200433	N	●	●
5	HDD, 1T 5400rpm, ST1000LM024 6G 9.5mm 5.4K 1T HDD	16200385	N	●	●
5	HDD, 1T 5400rpm, WD10JPCX-24UE4T0 6G 9.5mm 5.4K 1T HDD	16200393	N	●	●
5	HDD, 1T 5400rpm, TSB MQ01ABD100 6G 9.5mm 5.4K 1T HDD	16200429	N	●	●
6	Upper case C E41-10 W/TP	5CB0L58156	N	●	●
7	Lower Case USB*2 C E41-10	5CB0L58158	N	●	●
7	Lower Case USB*3 C E41-10	5CB0L58159	N	●	●
8	Speaker C E41-10 STEREO 4P	5SB0L58146	N	●	●
8	Speaker C E41-10 MONO 2P	5SB0L58142	N	●	●
9	DDR3L Memory, DDR3L SoDIMM 2G, 2GB D3L S M471B5674EB0-YK0	5M30K59779	N	●	●
9	DDR3L Memory, DDR3L SoDIMM 2G, Hynix HMT425S6CFR6A-PB 2GB	5M30G99881	N	●	●
9	DDR3L Memory, DDR3L SoDIMM 2G, 2GB D3L S MT4KTF25664HZ-1G9P1	5M30K59781	N	●	●
9	DDR3L Memory, DDR3L SoDIMM 2G, Ramaxel RMT3190MN76F8F-1600	5M30J33428	N	●	●
9	DDR3L Memory, DDR3L SoDIMM 2G, M471B5173EB0-YK0 1600 4GB	5M30G18425	N	●	●

Table 4. Parts list—Overall (continued)

No.	FRU	FRU no.	CRU ID	E41-10	E41-15
9	DDR3L Memory, DDR3L SoDIMM 2G, 4GB D3L S HMT451S6DFR8A-PB	5M30K59780	N	●	●
9	DDR3L Memory, DDR3L SoDIMM 2G, 4GB D3L S MT8KTF51264HZ-1G9P1	5M30K59782	N	●	●
9	DDR3L Memory, DDR3L SoDIMM 2G, 4GB D3L S RMT3170MP68F9F-1600	5M30L20980	N	●	●
10	ODD, 9.0 Rambo, HLDS GUE0N 9.0mm Slim Tray Rambo ODD	5DX0J46488	*	●	●
10	ODD, 9.0 Rambo, PLDS DA-8AESH 9.0mm Slim Tray Rambo ODD	5DX0L08424	*	●	●
10	ODD, 9.0 Rambo, TSST SU-228HB 9.0mm Slim Tray Rambo ODD	5DX0L08425	*	●	●
10	Dummy ODD C E41-10	5M20L58163	*	●	●
11	DC-IN Cable C E41-10	5C10L58165	N	●	●
12	WLAN, WIFI 1x1AC+BT, Intel 3165 1x1AC+BT PCIE M.2 WLAN	SW10H24486	N	●	
12	WLAN, WIFI 1x1AC+BT, Ltn NFA435 1x1AC+BT4.0 PCIE M.2 WLAN	SW10A11641	N	●	●
12	WLAN, WIFI 1x1AC+BT, Cbt RTL8821AE 1x1AC+BT4.0 PCIE M.2 WLAN	SW10A11648	N	●	●
12	WLAN, WIFI 1x1AC+BT, Ltn NFA435A 1x1AC+BT4.0 PCIE M.2 WLAN	SW10K97461	N		●
13	USB/B+IO/B W/FFC 2SET C E41-10	5C50L58138	N	●	●
14	MB C E41-10 A1020 NOK MONO	5B20L58154	N	●	
14	MB C E41-10 A1020 WIN MONO	5B20L58152	N	●	
14	MB C E41-10 A1020 NOK STEREO	5B20L58153	N	●	
14	MB C E41-10 A1020 WIN STEREO	5B20L58151	N	●	
14	MB C E41-15 A4 3350 NOK MONO	5B20L58682	N		●
14	MB C E41-15 A4 3350 WIN MONO	5B20L58692	N		●
14	MB C E41-15 A4 3350 NOK STEREO	5B20L58695	N		●

Table 4. Parts list—Overall (continued)

No.	FRU	FRU no.	CRU ID	E41-10	E41-15
14	MB C E41-15 A4 3350 WIN STEREO	5B20L58689	N		●
14	MB C E41-15 E1 7010 NOK MONO	5B20L58694	N		●
14	MB C E41-15 E1 7010 WIN MONO	5B20L58683	N		●
14	MB C E41-15 E1 7010 NOK STEREO	5B20L58693	N		●
14	MB C E41-15 E1 7010 WIN STEREO	5B20L58688	N		●
14	MB C E41-15 A6 7310 NOK MONO	5B20L58686	N		●
14	MB C E41-15 A6 7310 WIN MONO	5B20L58687	N		●
14	MB C E41-15 A6 7310 NOK STEREO	5B20L58690	N		●
14	MB C E41-15 A6 7310 WIN STEREO	5B20L58685	N		●
14	MB C E41-15 A8 7410 NOK MONO	5B20L58691	N		●
14	MB C E41-15 A8 7410 WIN MONO	5B20L58684	N		●
14	MB C E41-15 A8 7410 NOK STEREO	5B20L58681	N		●
14	MB C E41-15 A8 7410 WIN STEREO	5B20L58680	N		●
15	Battery, 4cell 32Wh Li-Cylinder, Gx1 SY L15S4A01 14.4V32Wh4cell btyC	5B10L12769	N	●	●
15	Battery, 4cell 32Wh Li-Cylinder, Gx1 SP/L L15M4A01 14.4V32Wh4cell btyC	5B10L12770	N	●	●
15	Battery, 4cell 32Wh Li-Cylinder, Gx1 LG L15L4A01 14.4V32Wh4cell btyC	5B10L12771	N	●	●
16	RTC Battery C E41	5B10L76721	N	●	●

LCD FRUs

In Lenovo E41-10/E41-15, there is following type of LCDs.

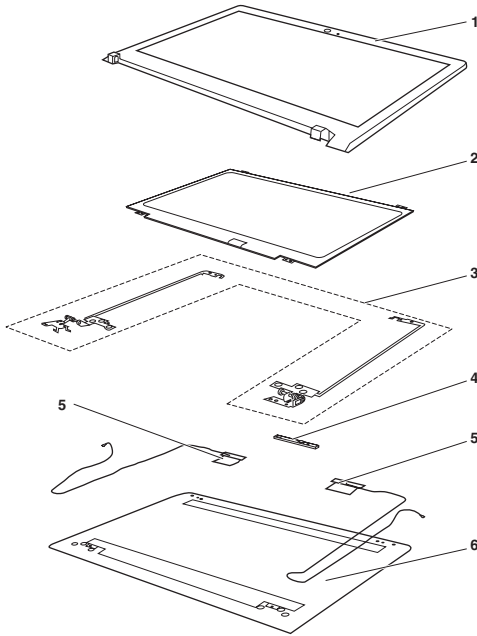


Table 5. Parts list

No.	FRU	FRU no.	CRU ID
1	LCD Bezel C E41-10 0.3M	5B30L58157	N
1	LCD Bezel C E41-10 NO CAM	5B30L58150	N
2	Panel, 14.0" HD AG TN 3.0mm Slim, LG LP140WHU-TPH1 HDT AG S NB	5D10K81464	N
2	Panel, 14.0" HD AG TN 3.0mm Slim, AUO B140XTN02.E HW0A HD AG S NB	5D10G95364	N
2	Panel, 14.0" HD AG TN 3.0mm Slim, IN N140BGA-EA3 HDT AG S NB	5D10K85755	N
3	HINGE L+R C E41-10	5H50L58147	N
4	CAMERA 0.3M C E41-10	5C20L58149	N
4	Camera, 0.3M, BIS BNCKVTKTL 0.3M NB camera	SC20K88169	N
4	Camera, 0.3M, CCY CNFF026 0.3M NB camera	SC20K88168	N
4	Camera, 0.3M, AWA AM-VS080 0.3M NB camera	SC20K88167	N
4	Camera, 0.3M, AVC HAA-584B05 0.3M NB camera	SC20K88166	N
5	EDP CABLE FOR W/CAMERA C E41-10	5C10L58167	N
5	EDP CABLE FOR W/O CAM C E41-10	5C10L58160	N
6	LCD COVER C E41-10	5CB0L58141	N

Keyboard

Table 7. Parts list—Keyboard

Language		P/N	CRU ID	
keyboard E41-10	Chicony Normal	English	5N20L25825	*
		U.K. English	5N20L25790	
		Italian	5N20L25796	
		Spanish	5N20L25817	
		Turkish	5N20L25834	
		Thai	5N20L25848	
		Portuguese	5N20L25839	
		Latin	5N20L25785	
		Canadian English&French	5N20L25836	
		Korean	5N20L25854	
		Traditional Chinese	5N20L25799	
		Russian	5N20L25775	
		French	5N20L25813	
		German	5N20L25841	
		Arabic	5N20L25809	
		Brazilian	5N20L25861	
		Japanese	5N20L25859	
		Dutch	5N20L25786	
		Greek	5N20L25824	
		Hebrew	5N20L25805	
		Hungarian	5N20L25823	
		Four Nordic countries	5N20L25789	
		Belgian	5N20L25835	
		Icelandic	5N20L25778	
		Slovenian	5N20L25808	
		Swiss	5N20L25791	
		International English	5N20L25772	
		Czechoslovakian	5N20L25795	
	Bulgarian	5N20L25792		
	Indian	5N20L25831		
	French-Arabic	5N20L25812		
	Ukrainian	5N20L25832		
Sunrex Normal	English	5N20L25781		
	U.K. English	5N20L25860		
	Italian	5N20L25806		
	Spanish	5N20L25797		
	Turkish	5N20L25855		
	Thai	5N20L25844		

Table 7. Parts list—Keyboard (continued)

Language		P/N	CRU ID	
keyboard E41-10 (continued)	Sunrex Normal (continued)	Portuguese	5N20L25862	*
		Latin	5N20L25794	
		Canadian English&French	5N20L25810	
		Korean	5N20L25826	
		Traditional Chinese	5N20L25770	
		Russian	5N20L25787	
		French	5N20L25800	
		German	5N20L25802	
		Arabic	5N20L25773	
		Brazilian	5N20L25793	
		Japanese	5N20L25827	
		Dutch	5N20L25818	
		Greek	5N20L25852	
		Hebrew	5N20L25840	
		Hungarian	5N20L25784	
		Four Nordic countries	5N20L25858	
		Belgian	5N20L25838	
		Icelandic	5N20L25774	
		Slovenian	5N20L25833	
		Swiss	5N20L25803	
	International English	5N20L25788		
	Czechoslovakian	5N20L25814		
	Bulgarian	5N20L25801		
	Indian	5N20L25821		
	French-Arabic	5N20L25845		
	Ukrainian	5N20L25780		
	Doking Normal	English	5N20L25822	
		U.K. English	5N20L25807	
		Italian	5N20L25779	
		Spanish	5N20L25847	
		Turkish	5N20L25776	
		Thai	5N20L25816	
		Portuguese	5N20L25857	
		Latin	5N20L25851	
		Canadian English&French	5N20L25783	
Korean		5N20L25864		
Traditional Chinese		5N20L25815		
Russian		5N20L25804		
French		5N20L25820		
German		5N20L25769		

Table 7. Parts list—Keyboard (continued)

Language		P/N	CRU ID	
keyboard E41-10 (continued)	Doking Normal (continued)	Arabic	5N20L25830	*
		Brazilian	5N20L25798	
		Japanese	5N20L25863	
		Dutch	5N20L25782	
		Greek	5N20L25843	
		Hebrew	5N20L25771	
		Hungarian	5N20L25811	
		Four Nordic countries	5N20L25853	
		Belgian	5N20L25850	
		Icelandic	5N20L25846	
		Slovenian	5N20L25849	
		Swiss	5N20L25819	
		International English	5N20L25837	
		Czechoslovakian	5N20L25777	
		Bulgarian	5N20L25829	
		Indian	5N20L25856	
		French-Arabic	5N20L25828	
Ukrainian	5N20L25842			
keyboard E41-15	Chicony Normal	English	5N20L25825	
		U.K. English	5N20L25790	
		Italian	5N20L25796	
		Spanish	5N20L25817	
		Turkish	5N20L25834	
		Thai	5N20L25848	
		Portuguese	5N20L25839	
		Latin	5N20L25785	
		Canadian English&French	5N20L25836	
		Korean	5N20L25854	
		Traditional Chinese	5N20L25799	
		Russian	5N20L25775	
		French	5N20L25813	
		German	5N20L25841	
		Arabic	5N20L25809	
		Brazilian	5N20L25861	
		Japanese	5N20L25859	
		Dutch	5N20L25786	
		Greek	5N20L25824	
		Hebrew	5N20L25805	
Hungarian	5N20L25823			
Four Nordic countries	5N20L25789			

Table 7. Parts list—Keyboard (continued)

Language		P/N	CRU ID	
keyboard E41-15 (continued)	Chicony Normal (continued)	Belgian	5N20L25835	*
		Icelandic	5N20L25778	
		Slovenian	5N20L25808	
		Swiss	5N20L25791	
		International English	5N20L25772	
		Czechoslovakian	5N20L25795	
		Bulgarian	5N20L25792	
		Indian	5N20L25831	
		French-Arabic	5N20L25812	
		Ukrainian	5N20L25832	
	Sunrex Normal	English	5N20L25781	
		U.K. English	5N20L25860	
		Italian	5N20L25806	
		Spanish	5N20L25797	
		Turkish	5N20L25855	
		Thai	5N20L25844	
		Portuguese	5N20L25862	
		Latin	5N20L25794	
		Canadian English&French	5N20L25810	
		Korean	5N20L25826	
		Traditional Chinese	5N20L25770	
		Russian	5N20L25787	
		French	5N20L25800	
		German	5N20L25802	
		Arabic	5N20L25773	
		Brazilian	5N20L25793	
		Japanese	5N20L25827	
		Dutch	5N20L25818	
		Greek	5N20L25852	
		Hebrew	5N20L25840	
		Hungarian	5N20L25784	
		Four Nordic countries	5N20L25858	
		Belgian	5N20L25838	
Icelandic	5N20L25774			
Slovenian	5N20L25833			
Swiss	5N20L25803			
International English	5N20L25788			
Czechoslovakian	5N20L25814			
Bulgarian	5N20L25801			

Table 7. Parts list—Keyboard (continued)

Language		P/N	CRU ID	
keyboard E41-15 (continued)	Sunrex Normal (continued)	Indian	5N20L25821	*
		French-Arabic	5N20L25845	
		Ukrainian	5N20L25780	
	Doking Normal	English	5N20L25822	
		U.K. English	5N20L25807	
		Italian	5N20L25779	
		Spanish	5N20L25847	
		Turkish	5N20L25776	
		Thai	5N20L25816	
		Portuguese	5N20L25857	
		Latin	5N20L25851	
		Canadian English&French	5N20L25783	
		Korean	5N20L25864	
		Traditional Chinese	5N20L25815	
		Russian	5N20L25804	
		French	5N20L25820	
		German	5N20L25769	
		Arabic	5N20L25830	
		Brazilian	5N20L25798	
		Japanese	5N20L25863	
		Dutch	5N20L25782	
		Greek	5N20L25843	
		Hebrew	5N20L25771	
		Hungarian	5N20L25811	
		Four Nordic countries	5N20L25853	
		Belgian	5N20L25850	
		Icelandic	5N20L25846	
		Slovenian	5N20L25849	
		Swiss	5N20L25819	
		International English	5N20L25837	
		Czechoslovakian	5N20L25777	
		Bulgarian	5N20L25829	
		Indian	5N20L25856	
French-Arabic	5N20L25828			
Ukrainian	5N20L25842			

Miscellaneous parts

Table 8. Parts list—Miscellaneous parts

FRU	P/N	CRU ID	E41-10	E41-15
System miscellaneous parts:				
• (a) HDD BRACKET C E41-10	5B40L58148	N	●	●
• (b) ODD BRACKET C E41-10	5B40L58155			
• (c) ODD BEZEL C E41-10	5B30L58164			
• (d) WLAN SPONGE C E41-10	5T10L58143			
Note: Italicized letters in parentheses are references to the exploded view in “Overall” on page 71.				

AC adapters

Table 9. Parts list—3-pin AC adapters

FRU	P/N	CRU ID
Adapter, 45W 3 pin socket and plug (for India), ADLX45NCC3A 20V2.25A adap R	5A10L02297	*
Adapter, 45W 3 pin socket and plug (for India), ADLX45NAC3A 20V2.25A adap R	5A10L02298	*
Adapter, 45W wall mount with round plug, Delta ADP-45DW AA 20V2.25A adapter	5A10H43620	*
Adapter, 45W wall mount with round plug, Delta ADP-45DW JA 20V2.25A adapter	5A10H43623	*
Adapter, 45W wall mount with round plug, Delta ADP-45DW BA 20V2.25A adapter	5A10H43630	*
Adapter, 45W wall mount with round plug, Delta ADP-45DW DA 20V2.25A adapter	5A10H43621	*
Adapter, 45W wall mount with round plug, Delta ADP-45DW HA 20V2.25A adapter	5A10H43627	*
Adapter, 45W wall mount with round plug, Delta ADP-45DW GA 20V2.25A adapter	5A10H43617	*
Adapter, 45W wall mount with round plug, Delta ADP-45DW EA 20V2.25A adapter	5A10H43626	*
Adapter, 45W wall mount with round plug, Delta ADP-45DW CA 20V2.25A adapter	5A10H43632	*
Adapter, 45W wall mount with round plug, Delta ADP-45DW KA 20V2.25A adapter	5A10H43624	*
Adapter, 45W wall mount with round plug, Liteon PA-1450-55LN 20V2.25A adapter	5A10H42921	*
Adapter, 45W wall mount with round plug, Liteon PA-1450-55LG 20V2.25A adapter	5A10H42920	*
Adapter, 45W wall mount with round plug, Liteon PA-1450-55LL 20V2.25A adapter	5A10H42923	*
Adapter, 45W wall mount with round plug, Liteon PA-1450-55LK 20V2.25A adapter	5A10H42917	*
Adapter, 45W wall mount with round plug, Liteon PA-1450-55LI 20V2.25A adapter	5A10H42926	*
Adapter, 45W wall mount with round plug, Liteon PA-1450-55LR 20V2.25A adapter	5A10H42919	*
Adapter, 45W wall mount with round plug, Liteon PA-1450-55LS 20V2.25A adapter	5A10H42922	*
Adapter, 45W wall mount with round plug, Liteon PA-1450-55LU 20V2.25A adapter	5A10H42925	*
Adapter, 45W wall mount with round plug, Liteon PA-1450-55LZ 20V2.25A adapter	5A10H42918	*
Adapter, 45W wall mount with round plug, Chicony ADL45WCA 20V2.25A adapter	5A10H43629	*

Table 9. Parts list—3-pin AC adapters (continued)

FRU	P/N	CRU ID
Adapter, 45W wall mount with round plug, Chicony ADL45WCB 20V2.25A adapter	5A10H43618	*
Adapter, 45W wall mount with round plug, Chicony ADL45WCC 20V2.25A adapter	5A10H43625	*
Adapter, 45W wall mount with round plug, Chicony ADL45WCD 20V2.25A adapter	5A10H43631	*
Adapter, 45W wall mount with round plug, Chicony ADL45WCK 20V2.25A adapter	5A10H43619	*
Adapter, 45W wall mount with round plug, Chicony ADL45WCE 20V2.25A adapter	5A10H43633	*
Adapter, 45W wall mount with round plug, Chicony ADL45WCF 20V2.25A adapter	5A10H43622	*
Adapter, 45W wall mount with round plug, Chicony ADL45WCG 20V2.25A adapter	5A10H43628	*
Adapter, 45W wall mount with round plug, Chicony ADL45WCH 20V2.25A adapter	5A10H43616	*

Screws

Table 10. Parts list --screws

FRU	P/N	CRU ID	E41-10	E41-15
Screw Pack C E41-10	5S10L58166	N	●	●

Power cords

A Lenovo power cord for a specific country or region is usually available only in that country or region:

Table 11. Parts list—3-pin power cords

Region	P/N	CRU ID
Indian • LINETEK PE-361+ H05VV-F+ LS15 1m	145000592	*
Indian • Longwell LP-67+BIS+LS-18 1m	145000560	*
Indian • lux 0046+IS694 0.75/3C+0011 1m	145500004	*

Notices

Lenovo may not offer the products, services, or features discussed in this document in all countries. Consult your local Lenovo representative for information on the products and services currently available in your area. Any reference to a Lenovo product, program, or service is not intended to state or imply that only that Lenovo product, program, or service may be used. Any functionally equivalent product, program, or service that does not infringe any Lenovo intellectual property right may be used instead. However, it is the user's responsibility to evaluate and verify the operation of any other product, program, or service.

Lenovo may have patents or pending patent applications covering subject matter described in this document. The furnishing of this document does not give you any license to these patents.

LENOVO GROUP LTD. PROVIDES THIS PUBLICATION "AS IS" WITHOUT WARRANTY OF ANY KIND, EITHER EXPRESS OR IMPLIED, INCLUDING, BUT NOT LIMITED TO, THE IMPLIED WARRANTIES OF NON-INFRINGEMENT, MERCHANTABILITY OR FITNESS FOR A PARTICULAR PURPOSE. Some jurisdictions do not allow disclaimer of express or implied warranties in certain transactions, therefore, this statement may not apply to you.

This information could include technical inaccuracies or typographical errors. Changes are periodically made to the information herein; these changes will be incorporated in new editions of the publication. Lenovo may make improvements and/or changes in the product(s) and/or the program(s) described in this publication at any time without notice.

The products described in this document are not intended for use in implantation or other life support applications where malfunction may result in injury or death to persons. The information contained in this document does not affect or change Lenovo product specifications or warranties. Nothing in this document shall operate as an express or implied license or indemnity under the intellectual property rights of Lenovo or third parties. All information contained in this document was obtained in specific environments and is presented as an illustration. The result obtained in other operating environments may vary.

Lenovo may use or distribute any of the information you supply in any way it believes appropriate without incurring any obligation to you.

Any references in this publication to non-Lenovo Web sites are provided for convenience only and do not in any manner serve as an endorsement of those Web sites. The materials at those Web sites are not part of the materials for this Lenovo product, and use of those Web sites is at your own risk.

Any performance data contained herein was determined in a controlled environment. Therefore, the result obtained in other operating environments may vary significantly. Some measurements may have been made on development-level systems and there is no guarantee that these measurements will be the same on generally available systems. Furthermore, some measurements may have been estimated through extrapolation. Actual results may vary. Users of this document should verify the applicable data for their specific environment.

Trademarks

The following terms are trademarks or registered trademarks of Lenovo in the United States, other countries, or both.

Lenovo
OneKey

Microsoft and Windows are trademarks of Microsoft Corporation in the United States, other countries, or both.

Other company, products, or service names may be trademarks or service marks of others.