



ThinkCentre
Hardware Maintenance Manual



ThinkThink**ThinkCentre**Think

Machine Types: 7515, 7522, 7523, 7560, 7569, 7610, 7611, and 7705

lenovo

**ThinkCentre
Hardware Maintenance Manual**

Note

Before using this information and the product it supports, be sure to read and understand the Chapter 2, "Safety information," on page 3 and "Notices," on page 281.

Fifth Edition (December 2009)

© Copyright Lenovo 2009.

LENOVO products, data, computer software, and services have been developed exclusively at private expense and are sold to governmental entities as commercial items as defined by 48 C.F.R. 2.101 with limited and restricted rights to use, reproduction and disclosure.

LIMITED AND RESTRICTED RIGHTS NOTICE: If products, data, computer software, or services are delivered pursuant a General Services Administration "GSA" contract, use, reproduction, or disclosure is subject to restrictions set forth in Contract No. GS-35F-05925.

Contents

Chapter 1. About this manual 1

Important safety information	1
Important information about replacing the RoHS compliant FRUs	2

Chapter 2. Safety information 3

General safety	3
Electrical safety	3
Voltage-selection switch.	5
Safety inspection guide	5
Handling electrostatic discharge-sensitive devices	6
Grounding requirements	7
Safety notices (multi-lingual translations).	7

Chapter 3. General information 39

Lenovo ThinkVantage Tools	39
Lenovo Care	39
Access Help	39
Additional information resources	40
Specifications	41
For machine types: 7515, 7523, 7569, and 7611.. . . .	41
For machine types: 7522, 7560, 7610, and 7705.. . . .	41
For all machine types	41

Chapter 4. General checkout 43

Problem determination tips	43
--------------------------------------	----

Chapter 5. Diagnostics 45

Lenovo ThinkVantage Toolbox	45
Lenovo System Toolbox	45
PC-Doctor for Rescue and Recovery	46
PC-Doctor for DOS	46
Creating a diagnostic disc	46
Running the diagnostic program from the diagnostic disc	47
Navigating through the diagnostics programs	47
Running tests.	47
Viewing the test log	49

Chapter 6. Using the Setup Utility program 51

Starting the Setup Utility program.	51
Viewing and changing settings	51
Using passwords	51
Password considerations	52
Set Power-On Password	52
Set Administrator Password	52
Setting, changing, or deleting a password	52
Enabling or disabling a device	53
Selecting a startup device.	53
Selecting a temporary startup device	53
Viewing or changing the startup device sequence	54
Exiting the Setup Utility program	54

Chapter 7. Symptom-to-FRU index 55

Hard disk drive boot error	55
Power supply problems	55
Diagnostic error codes.	56
Beep symptoms	77
POST error codes	78
Miscellaneous error messages	80
Undetermined problems	81

Chapter 8. Replacing FRUs (Machine types: 7515, 7523, 7569, and 7611.) 83

Locating connectors on the front of your computer	84
Locating connectors on the rear of your computer	85
Removing the computer cover	86
Locating components	88
Locating parts on the system board	89
Removing and reinstalling the front bezel	89
Installing or replacing a memory module	90
Installing or replacing a PCI card	92
Replacing the battery	95
Replacing the power supply assembly	96
Replacing the heat sink and fan assembly	98
Replacing the microprocessor	100
Replacing the system board	103
Replacing the primary hard disk drive	105
Replacing the secondary hard disk drive	107
Replacing the optical drive	110
Replacing the diskette drive or card reader	112
Replacing the front fan assembly	113
Replacing the rear fan assembly	115
Replacing the internal speaker.	117
Replacing the front audio and USB assembly	119
Completing the FRU replacement	120

Chapter 9. Replacing FRUs (Machine types: 7522, 7560, 7610, and 7705.) 123

Locating connectors on the front of your computer	124
Locating connectors on the rear of your computer	125
Opening the computer cover	126
Accessing the system board components and drives	127
Locating components	128
Locating parts on the system board	129
Installing or replacing a memory module	130
Installing or replacing an adapter card	132
Replacing the battery	134
Replacing the hard disk drive	136
Replacing the optical drive	137
Replacing the power supply assembly	140
Replacing the heat sink and fan assembly	142
Replacing the microprocessor	144
Replacing the system board	147
Replacing the card reader	149
Replacing the front audio and USB assembly	150
Replacing the internal speaker.	151

Completing the FRU replacement 155

Chapter 10. FRU lists 157

Machine type 7515 157
Machine type 7522 175
Machine type 7523 193
Machine type 7560 206
Machine type 7569 220
Machine type 7610 233
Machine type 7611. 247
Machine type 7705 262

Chapter 11. Additional service information 277

Security features 277
 Hardware controlled Passwords 277
 Operating system password 277

Vital product data 277
BIOS levels 277
Updating (flashing) BIOS from a disc 278
Updating (flashing) BIOS from your operating system 278
Recovering from a POST/BIOS update failure . . . 278
Power management 279
 Automatic configuration and power interface (ACPI) BIOS. 279
 Automatic Power-On features 279

Appendix. Notices 281

Television output notice 282
Trademarks 282

Index 283

Chapter 1. About this manual

This manual contains service and reference information for ThinkCentre® computer machine types listed on the front cover. All the information in this manual is intended only for trained Service Providers who are familiar with Lenovo® computer products. Before using this information and the product it supports, be sure to read and understand the Chapter 2, "Safety information," on page 3 and "Notices," on page 281.

The "Symptom-to-FRU Index" chapter and the "Additional service information" chapter apply to all ThinkCentre computers.

This manual includes a complete field replaceable unit (FRU) part number list for each machine type listed on the front cover. If you have Internet access, the FRU part number lists are also available at:
<http://www.lenovo.com/support>

Important safety information

Be sure to read and understand all caution and danger statements in this manual before performing any of the instructions.

Veillez lire toutes les consignes de type DANGER et ATTENTION du présent document avant d'exécuter les instructions.

Lesen Sie unbedingt alle Hinweise vom Typ "ACHTUNG" oder "VORSICHT" in dieser Dokumentation, bevor Sie irgendwelche Vorgänge durchführen

Leggere le istruzioni introdotte da ATTENZIONE e PERICOLO presenti nel manuale prima di eseguire una qualsiasi delle istruzioni

Certifique-se de ler todas as instruções de cuidado e perigo neste manual antes de executar qualquer uma das instruções

Es importante que lea todas las declaraciones de precaución y de peligro de este manual antes de seguir las instrucciones.

تأكد من قراءة كل التحذيرات الموجودة في هذا الكتاب قبل اتباع هذه التعليمات .

执行任何说明之前，请确保已阅读本书中的所有警告和危险声明。

執行任何指示前，請確實閱讀本書中的所有警告及危險聲明。

ודאו שקראתם את כל הודעות האזהרה והסכנה במסמך זה לפני שתבצעו פעולה כלשהי.

본 사용 설명서에 기재된 내용을 실행하기 전에 모든 주의사항 및 위험사항을 숙지하십시오.

Important information about replacing the RoHS compliant FRUs

RoHS, the Restriction of Hazardous Substances in Electrical and Electronic Equipment Directive (2002/95/EC) is a European Union legal requirement affecting the global electronics industry. RoHS requirements must be implemented on Lenovo products placed on the market and sold in the European Union after June 2006. Products on the market before June 2006 are not required to have RoHS compliant parts. If the parts are not compliant originally, replacement parts can also be noncompliant, but in all cases, if the parts are compliant, the replacement parts must also be compliant.

Note: RoHS and non-RoHS FRU parts with the same fit and function are identified with unique FRU part numbers.

Lenovo plans to transition to RoHS compliance well before the implementation date and expects its suppliers to be ready to support the requirements and schedule of Lenovo in the European Union. Products sold in 2005 will contain some RoHS compliant FRUs. The following statement pertains to these products and any product Lenovo produces containing RoHS compliant parts.

RoHS compliant ThinkCentre parts have unique FRU part numbers. Before or after June 2006, failed RoHS compliant parts must always be replaced using RoHS compliant FRUs, so only the FRUs identified as compliant in the Hardware Maintenance Manual (HMM) or direct substitutions for those FRUs can be used.

Products marketed before June 2006		Products marketed after June 2006	
Current or original part	Replacement FRU	Current or original part	Replacement FRU
Non-RoHS	Can be Non-RoHS	Must be RoHS	Must be RoHS
Non-RoHS	Can be RoHS		
Non-RoHS	Can sub to RoHS		
RoHS	Must be RoHS		

Note: A direct substitution is a part with a different FRU part number that is automatically shipped by the distribution center at the time of order.

Chapter 2. Safety information

This chapter contains the safety information that you need to read and understand before servicing a computer.

General safety

Follow these rules to ensure general safety:

- Observe good housekeeping in the area of the machines during and after maintenance.
- When lifting any heavy object:
 1. Ensure you can stand safely without slipping.
 2. Distribute the weight of the object equally between your feet.
 3. Use a slow lifting force. Never move suddenly or twist when you attempt to lift.
 4. Lift by standing or by pushing up with your leg muscles; this action removes the strain from the muscles in your back. *Do not attempt to lift any objects that weigh more than 16 kg (35 lb) or objects that you think are too heavy for you.*
- Do not perform any action that causes hazards to the customer, or that makes the equipment unsafe.
- Before you start the machine, ensure that other service representatives and the customer's personnel are not in a hazardous position.
- Place removed covers and other parts in a safe place, away from all personnel, while you are servicing the machine.
- Keep your tool case away from walk areas so that other people will not trip over it.
- Do not wear loose clothing that can be trapped in the moving parts of a machine. Ensure that your sleeves are fastened or rolled up above your elbows. If your hair is long, fasten it.
- Insert the ends of your necktie or scarf inside clothing or fasten it with a nonconductive clip, approximately 8 centimeters (3 inches) from the end.
- Do not wear jewelry, chains, metal-frame eyeglasses, or metal fasteners for your clothing.

Remember: Metal objects are good electrical conductors.
- Wear safety glasses when you are: hammering, drilling, soldering, cutting wire, attaching springs, using solvents, or working in any other conditions that might be hazardous to your eyes.
- After service, reinstall all safety shields, guards, labels, and ground wires. Replace any safety device that is worn or defective.
- Reinstall all covers correctly before returning the machine to the customer.

Electrical safety



CAUTION:

Electrical current from power, telephone, and communication cables can be hazardous. To avoid personal injury or equipment damage, disconnect the attached power cords, telecommunication systems, networks, and modems before you open the server/workstation covers, unless instructed otherwise in the installation and configuration procedures.

Observe the following rules when working on electrical equipment.

Important: Use only approved tools and test equipment. Some hand tools have handles covered with a soft material that does not insulate you when working with live electrical currents.

Many customers have, near their equipment, rubber floor mats that contain small conductive fibers to decrease electrostatic discharges. Do not use this type of mat to protect yourself from electrical shock.

- Find the room emergency power-off (EPO) switch, disconnecting switch, or electrical outlet. If an electrical accident occurs, you can then operate the switch or unplug the power cord quickly.
- Do not work alone under hazardous conditions or near equipment that has hazardous voltages.
- Disconnect all power before:
 - Performing a mechanical inspection
 - Working near power supplies
 - Removing or installing Field Replaceable Units
- Before you start to work on the machine, unplug the power cord. If you cannot unplug it, ask the customer to power-off the wall box that supplies power to the machine and to lock the wall box in the off position.
- If you need to work on a machine that has exposed electrical circuits, observe the following precautions:
 - Ensure that another person, familiar with the power-off controls, is near you.
Remember: Another person must be there to switch off the power, if necessary.
 - Use only one hand when working with powered-on electrical equipment; keep the other hand in your pocket or behind your back.
Remember: There must be a complete circuit to cause electrical shock. By observing the above rule, you may prevent a current from passing through your body.
 - When using testers, set the controls correctly and use the approved probe leads and accessories for that tester.
 - Stand on suitable rubber mats (obtained locally, if necessary) to insulate you from grounds such as metal floor strips and machine frames.

Observe the special safety precautions when you work with very high voltages; these instructions are in the safety sections of maintenance information. Use extreme care when measuring high voltages.

- Regularly inspect and maintain your electrical hand tools for safe operational condition.
- Do not use worn or broken tools and testers.
- *Never assume* that power has been disconnected from a circuit. First, *check* that it has been powered-off.

- Always look carefully for possible hazards in your work area. Examples of these hazards are moist floors, nongrounded power extension cables, power surges, and missing safety grounds.
- Do not touch live electrical circuits with the reflective surface of a plastic dental mirror. The surface is conductive; such touching can cause personal injury and machine damage.
- Do not service the following parts with the power on when they are removed from their normal operating places in a machine:
 - Power supply units
 - Pumps
 - Blowers and fans
 - Motor generatorsand similar units. (This practice ensures correct grounding of the units.)
- If an electrical accident occurs:
 - Use caution; do not become a victim yourself.
 - Switch off power.
 - Send another person to get medical aid.

Voltage-selection switch

Some computers are equipped with a voltage-selection switch located near the power-cord connection point on the computer. If your computer has a voltage-selection switch, ensure that you set the switch to match the voltage available at your electrical outlet. Setting the voltage-selection switch incorrectly can cause permanent damage to the computer.

If your computer does not have a voltage-selection switch, your computer is designed to operate only at the voltage provided in the country or region where the computer was originally purchased.

If you relocate your computer to another country, be aware of the following:

- If your computer does not have a voltage-selection switch, do not connect the computer to an electrical outlet until you have verified that the voltage provided is the same as it was in the country or region where the computer was originally purchased.
- If your computer has a voltage-selection switch, do not connect the computer to an electrical outlet until you have verified that the voltage-selection switch is set to match the voltage provided in that country or region.

If you are not sure of the voltage provided at your electrical outlet, contact your local electric company or refer to official Web sites or other literature for travelers to the country or region where you are located.

Safety inspection guide

The intent of this inspection guide is to assist you in identifying potentially unsafe conditions on these products. Each machine, as it was designed and built, had required safety items installed to protect users and service personnel from injury. This guide addresses only those items. However, good judgment should be used to identify potential safety hazards due to attachment of features or options not covered by this inspection guide.

If any unsafe conditions are present, you must determine how serious the apparent hazard could be and whether you can continue without first correcting the problem.

Consider these conditions and the safety hazards they present:

- Electrical hazards, especially primary power (primary voltage on the frame can cause serious or fatal electrical shock).
- Explosive hazards, such as a damaged CRT face or bulging capacitor
- Mechanical hazards, such as loose or missing hardware

The guide consists of a series of steps presented in a checklist. Begin the checks with the power off, and the power cord disconnected.

Checklist:

1. Check exterior covers for damage (loose, broken, or sharp edges).
2. Power-off the computer. Disconnect the power cord.
3. Check the power cord for:
 - a. A third-wire ground connector in good condition. Use a meter to measure third-wire ground continuity for 0.1 ohm or less between the external ground pin and frame ground.
 - b. The power cord should be the appropriate type as specified in the parts listings.
 - c. Insulation must not be frayed or worn.
4. Remove the cover.
5. Check for any obvious alterations. Use good judgment as to the safety of any alterations.
6. Check inside the unit for any obvious unsafe conditions, such as metal filings, contamination, water or other liquids, or signs of fire or smoke damage.
7. Check for worn, frayed, or pinched cables.
8. Check that the power-supply cover fasteners (screws or rivets) have not been removed or tampered with.

Handling electrostatic discharge-sensitive devices

Any computer part containing transistors or integrated circuits (ICs) should be considered sensitive to electrostatic discharge (ESD). ESD damage can occur when there is a difference in charge between objects. Protect against ESD damage by equalizing the charge so that the machine, the part, the work mat, and the person handling the part are all at the same charge.

Notes:

1. Use product-specific ESD procedures when they exceed the requirements noted here.
2. Make sure that the ESD protective devices you use have been certified (ISO 9000) as fully effective.

When handling ESD-sensitive parts:

- Keep the parts in protective packages until they are inserted into the product.
- Avoid contact with other people while handling the part.
- Wear a grounded wrist strap against your skin to eliminate static on your body.

- Prevent the part from touching your clothing. Most clothing is insulative and retains a charge even when you are wearing a wrist strap.
- Use the black side of a grounded work mat to provide a static-free work surface. The mat is especially useful when handling ESD-sensitive devices.
- Select a grounding system, such as those listed below, to provide protection that meets the specific service requirement.

Note: The use of a grounding system is desirable but not required to protect against ESD damage.

- Attach the ESD ground clip to any frame ground, ground braid, or green-wire ground.
- Use an ESD common ground or reference point when working on a double-insulated or battery-operated system. You can use coax or connector-outside shells on these systems.
- Use the round ground-prong of the ac plug on ac-operated computers.

Grounding requirements

Electrical grounding of the computer is required for operator safety and correct system function. Proper grounding of the electrical outlet can be verified by a certified electrician.

Safety notices (multi-lingual translations)

The caution and danger safety notices in this section are provided in the following languages:

- English
- Arabic
- Brazilian Portuguese
- Simplified Chinese
- Traditional Chinese
- French
- German
- Hebrew
- Italian
- Korean
- Spanish



DANGER

Electrical current from power, telephone and communication cables is hazardous.

To avoid a shock hazard:

- **Do not connect or disconnect any cables or perform installation, maintenance, or reconfiguration of this product during an electrical storm.**
- **Connect all power cords to a properly wired and grounded electrical outlet.**

- **Connect to properly wired outlets any equipment that will be attached to this product.**
- **When possible, use one hand only to connect or disconnect signal cables.**
- **Never turn on any equipment when there is evidence of fire, water, or structural damage.**
- **Disconnect the attached power cords, telecommunications systems, networks, and modems before you open the device covers, unless instructed otherwise in the installation and configuration procedures.**
- **Connect and disconnect cables as described in the following tables when installing, moving, or opening covers on this product or attached devices.**

To Connect	To Disconnect
<ol style="list-style-type: none"> 1. Turn everything OFF. 2. First, attach all cables to devices. 3. Attach signal cables to connectors. 4. Attach power cords to outlet. 5. Turn device ON. 	<ol style="list-style-type: none"> 1. Turn everything OFF. 2. First, remove power cords from outlet. 3. Remove signal cables from connectors. 4. Remove all cables from devices.



CAUTION:

When replacing the lithium battery, use only Part Number 33F8354 or an equivalent type battery recommended by the manufacturer. If your system has a module containing a lithium battery, replace it only with the same module type made by the same manufacturer. The battery contains lithium and can explode if not properly used, handled, or disposed of.

Do not:

- Throw or immerse into water
- Heat to more than 100°C (212°F)
- Repair or disassemble

Dispose of the battery as required by local ordinances or regulations.



CAUTION:

When laser products (such as CD-ROMs, DVD-ROM drives, fiber optic devices, or transmitters) are installed, note the following:

- Do not remove the covers. Removing the covers of the laser product could result in exposure to hazardous laser radiation. There are no serviceable parts inside the device.
- Use of controls or adjustments or performance of procedures other than those specified herein might result in hazardous radiation exposure.



DANGER: Some laser products contain an embedded Class 3A or Class 3B laser diode. Note the following:

Laser radiation when open. Do not stare into the beam, do not view directly with optical instruments, and avoid direct exposure to the beam.



≥18 kg (37 lbs)



≥32 kg (70.5 lbs)



≥55 kg (121.2 lbs)

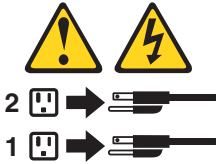
CAUTION:

Use safe practices when lifting.



CAUTION:

The power control button on the device and the power switch on the power supply do not turn off the electrical current supplied to the device. The device also might have more than one power cord. To remove all electrical current from the device, ensure that all power cords are disconnected from the power source.





خطر

التيار الكهربى الموجود بمصدر الطاقة أو أجهزة التليفون أو أسلاك الإتصالات يشكل خطورة.

لتفادي مخاطر الصدمات الكهربائية:

لا تحاول توصيل أو فصل أي أسلاك أو القيام بعمليات تركيب أو صيانة أو إعادة توصيف لهذا المنتج أثناء وجود عاصفة كهربائية.

يجب توصيل كل أسلاك الكهرباء في مخارج كهرباء ذات توصيلات أسلاك وتوصيلات أرضية صحيحة
يجب توصيل أي جهاز سيتم الحاقه بهذا المنتج في مخارج كهرباء ذات توصيلات أسلاك صحيحة.

وإن أمكن يجب استخدام يد واحدة فقط في توصيل أو فصل أسلاك الإشارة.

لا تحاول تشغيل أي جهاز إذا كان هناك أثر لحرق أو مياه أو تلف بالمكونات

يجب فصل أسلاك الكهرباء وأنظمة الاتصالات وشبكات الاتصال وأجهزة المودم الملحقة قبل فتح أغطية الجهاز، ما لم يتم طلب خلاف ذلك في التعليمات الخاصة بالتركيب والتوصيف.
قم بتوصيل وفصل الأسلاك كما هو موضح في الجدول التالي وذلك عند القيام بعمليات التركيب أو النقل أو فتح أغطية هذا المنتج أو الأجهزة الملحقة.

للفصل:

- قم بإيقاف كل شيء.
- أولاً، قم بفصل كل أسلاك الكهرباء من المخرج.
- قم بفصل أسلاك الإشارة من الموصلات.
- قم بفصل كل الأسلاك من الأجهزة.

للتوصيل:

- قم بإيقاف كل شيء.
- أولاً، قم بتوصيل كل الأسلاك بالأجهزة.
- قم بتوصيل أسلاك الإشارة في لموصلات.
- قم بتوصيل أسلاك الكهرباء في المخارج.
- قم بتشغيل الجهاز.



تنبيه :

عند استبدال البطارية الليثيوم، استخدم فقط رقم الجزء الخاص **Part Number 33F8354** أو نوع آخر يكون على نفس مستوى الكفاءة يحدده لك المصنع. إذا كان النظام الخاص يستخدم معه بطارية ليثيوم قم باستبدالها بنفس النوع الذي تم صناعته من خلال نفس المصنع. تحتوي البطارية على مادة الليثيوم ويمكن أن تنفجر في حالة عدم استخدامها أو التعامل معها بطريقة صحيحة أو عند التخلص منها بطريقة خطأ.

لا تَقم بـ:

- القاء البطارية أو غمرها في الماء
- تسخينها أعلى من ١٠٠ درجة مئوية و(٢١٢ ° فهرنهايت)
- بتصليحها أو فكها

تخلص من البطارية طبقاً للقانون أو النظام المحلي .



تنبيه :

أثناء تركيب منتجات ليزر (مثل CD-ROMs أو وحدة تشغيل DVD أو أجهزة Fiber Optic أو وحدات الإرسال) يجب مراعاة الآتي:

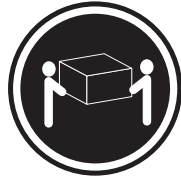
لا تنزع الأغطية. قد ينتج عن نزع أغطية منتج الليزر انفجار أشعة الليزر شديدة الخطورة. لا يوجد أجزاء يمكن تغييرها داخل الجهاز. قد ينتج عن استخدام تحكيمات أو تعديلات أو عمل أي تصرفات أخرى تخالف ما هو محدد هنا إلى انفجار أشعة شديدة الخطورة.



خطر

تحتوي بعض منتجات الليزر على الفئة دايود ليزر مدمج من الفئة **Class 3A** أو **Class 3B**. يجب مراعاة الآتي .

أشعة الليزر عند الفتح. لا تحدد إلى الإشعاع و لا تنظر إليه مباشرة بواسطة أي أجهزة مرئية وتجنب التعرض المباشر للإشعاع .



≥18 kg (37 lbs)



≥32 kg (70.5 lbs)

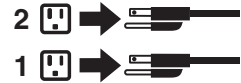


≥55 kg (121.2 lbs)

تنبيه :
يجب استخدام ممارسات آمنة عند الرفع



تنبيهه :
لا يرقم زر التحكم في التشغيل الموجود على الجهاز والمفتاح الكهربائي الموجود على لوحة التحكم بإيقاف التيار الكهربائي المار بالجهاز. قد يكون للجهاز أكثر من سلك كهربائي واحد. لايقاف التيار الكهربائي المار بالجهاز، تأكد من فصل جميع أسلاك الكهرباء من مصدر الكهرباء .





PERIGO

A corrente elétrica proveniente de cabos de alimentação, de telefone e de comunicações é perigosa.

Para evitar risco de choque elétrico:

- Não conecte nem desconecte nenhum cabo ou execute instalação, manutenção ou reconfiguração deste produto durante uma tempestade com raios.
- Conecte todos os cabos de alimentação a tomadas elétricas corretamente instaladas e aterradas.
- Todo equipamento que for conectado a este produto deve ser conectado a tomadas corretamente instaladas.
- Quando possível, utilize apenas uma das mãos para conectar ou desconectar cabos de sinal.
- Nunca ligue nenhum equipamento quando houver evidência de fogo, água ou danos estruturais.
- Antes de abrir tampas de dispositivos, desconecte cabos de alimentação, sistemas de telecomunicação, redes e modems conectados, a menos que especificado de maneira diferente nos procedimentos de instalação e configuração.
- Conecte e desconecte os cabos conforme descrito na tabela apresentada a seguir ao instalar, mover ou abrir tampas deste produto ou de dispositivos conectados.

Para Conectar:	Para Desconectar:
<ol style="list-style-type: none">1. DESLIGUE Tudo.2. Primeiramente, conecte todos os cabos aos dispositivos.3. Conecte os cabos de sinal aos conectores.4. Conecte os cabos de alimentação às tomadas.5. LIGUE os dispositivos.	<ol style="list-style-type: none">1. DESLIGUE Tudo.2. Primeiramente, remova os cabos de alimentação das tomadas.3. Remova os cabos de sinal dos conectores.4. Remova todos os cabos dos dispositivos.



CUIDADO:

Ao substituir a bateria de lítio, utilize apenas uma bateria com Número de Peça 33F8354 ou um tipo de bateria equivalente recomendado pelo Se o seu sistema possui um módulo com uma bateria de lítio, substitua-o apenas por um módulo do mesmo tipo e do mesmo fabricante. A bateria contém lítio e pode explodir se não for utilizada, manuseada ou descartada de maneira correta.

Não:

- Jogue ou coloque na água
- Aqueça a mais de 100°C (212°F)
- Conserte nem desmonte

Descarte a bateria conforme requerido pelas leis ou regulamentos locais.



PRECAUCIÓN:

Quando produtos a laser (como unidades de CD-ROMs, unidades de DVD-ROM, dispositivos de fibra ótica ou transmissores) estiverem instalados, observe o seguinte:

- Não remova as tampas. A remoção das tampas de um produto a laser pode resultar em exposição prejudicial à radiação de laser. Não existem peças que podem ser consertadas no interior do dispositivo.
- A utilização de controles ou ajustes ou a execução de procedimentos diferentes dos especificados aqui pode resultar em exposição prejudicial à radiação.

PERIGO

Alguns produtos a laser contêm diodo de laser integrado da Classe 3A ou da Classe 3B. Observe o seguinte:

Radiação a laser quando aberto. Não olhe diretamente para o feixe a olho nu ou com instrumentos ópticos e evite exposição direta ao feixe.



≥18 kg (37 lbs)



≥32 kg (70.5 lbs)



≥55 kg (121.2 lbs)

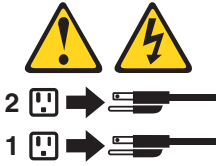
CUIDADO:

Utilize procedimentos de segurança para levantar equipamentos.



CUIDADO:

O botão de controle de alimentação do dispositivo e o botão para ligar/desligar da fonte de alimentação não desligam a corrente elétrica fornecida ao dispositivo. O dispositivo também pode ter mais de um cabo de alimentação. Para remover toda a corrente elétrica do dispositivo, assegure que todos os cabos de alimentação estejam desconectados da fonte de alimentação.





危险

电源、电话和通信电缆中的电流是危险的。

为避免电击危险：

- 请勿在雷电期间连接或断开任何电缆的连接，或者对本产品进行安装、维护或重新配置。
- 将所有电源线连接到正确连线和妥善接地的电源插座。
- 将所有要连接到该产品的设备连接到正确连线的插座。
- 如果可能，请仅使用一只手来连接或断开信号电缆的连接。
- 切勿在有火、水、结构损坏迹象的情况下开启任何设备。
- 在打开设备外盖之前请断开已连接的电源线、远程通信系统、网络和调制解调器，除非在安装和配置过程中另有说明。
- 当安装、移动或打开该产品或连接设备的外盖时，请按照下表所述来连接或断开电缆的连接。

要连接	要断开连接
<ol style="list-style-type: none">1. 切断所有电源。2. 首先将所有电缆连接到设备。3. 将信号电缆连接到接口。4. 将电源线连接到插座。5. 开启设备。	<ol style="list-style-type: none">1. 切断所有电源。2. 首先从插座上拔出电源线。3. 从接口上拔出信号电缆。4. 从设备上拔出所有电缆。



警告：

更换锂电池时，请仅使用部件号为 33F8354 的电池或制造商推荐的同类电池。如果您的系统有包含锂电池的模块，请仅使用同一制造商生产的相同模块类型来替换该模块。该电池中含有锂，如果使用、操作或处理不当，可能会发生爆炸。

切勿：

- 投入或浸入水中
- 加热到 100 °C (212 °F) 以上
- 维修或拆卸

请按照当地法令或条例的要求处理电池。



警告：
安装激光产品（例如 CD-ROM、DVD-ROM 驱动器、光纤设备或发射设备）时，
请注意以下声明：

- 请勿卸下外盖。卸下激光产品的外盖可能导致遭受激光辐射的危险。该设备内没有可维修的部件。
- 如果不按照此处指定的过程进行控制、调整或操作，则有可能导致遭受辐射的危险。



危险

某些激光产品包含嵌入式 3A 类或 3B 类激光二极管。请注意以下声明：

打开后有激光辐射。请勿注视光束，请勿直接用光学仪器查看，并请避免直接暴露在光束中。



≥18 千克 (37 磅)



≥32 千克 (70.5 磅)



≥55 千克 (121.2 磅)

警告：
抬起时请采取安全措施。



警告：
设备上的电源控制按钮和电源上的电源开关不会切断供给该设备的电流。该设备还可能有多条电源线。要切断该设备的所有电流，请确保所有电源线都与电源断开连接。





危險

電源、電話及通訊纜線上的電流都具有危險性。

若要避免觸電危險：

- 請勿在雷雨期間，連接或拔除纜線、執行安裝、維護或重新配置本產品。
- 將所有電源線連接到正確配線及接地的電源插座。
- 任何與本產品連接的設備都必須連接到配線妥當的電源插座。
- 請盡可能用單手連接或拔除信號線。
- 發生火災、水災或結構損害時，絕對不要開啟任何設備。
- 除非在安裝及配置程序中另有指示，否則在開啟裝置機蓋之前，請拔掉連接的電源線、電信系統、網路及數據機。
- 安裝、移動或開啟本產品或附屬裝置的機蓋時，請遵循下列說明連接及拔掉纜線。

連線	切斷連線
<ol style="list-style-type: none">1. 關閉所有開關。2. 首先，連接所有接線到裝置。3. 連接信號線到接頭。4. 連接電源線到插座。5. 開啟裝置。	<ol style="list-style-type: none">1. 關閉所有開關。2. 首先，拔掉插座上的電源線。3. 拔掉接頭上的信號線。4. 拔掉裝置上所有接線。



警告：

更換鋰電池時，請僅使用產品編號 **33F8354** 或製造商所建議的同類型電池。
如果您的系統中含有鋰電池模組，請僅使用同一家製造商所生產的相同模組進行更換。
如果未以正確方式使用、處理或棄置含鋰的電池，會有爆炸的危險。

請勿：

- 沾溼或浸入水中
 - 置於 **100C (212F)** 以上的高溫環境
 - 修理或拆開
- 請按照各地區有關廢棄電池的法令和規定處理舊電池。

。 。



警告：

- 請勿移除機蓋。移除雷射產品的機蓋，可能會導致暴露在危險的雷射輻射中。裝置內部並無可自行維修的零件。
- 利用或執行非本文中所指定的控制、調整及執行程序，可能會導致危險的輻射外洩。



危險

部分雷射產品含有內嵌式 **Class 3A** 或 **Class 3B** 雷射二極體。請注意下列事項：
在開啟光碟機時，會發生雷射輻射。請勿直視光束或用光學儀器直接檢視，並避免直接暴露在光束中。



≥ 18 公斤 (37 磅)



≥ 32 公斤 (70.5 磅)



≥ 55 公斤 (121.2 磅)

警告：
搬運時請注意安全。



警告：
裝置上的電源控制按鈕及電源供應器上的電源開關，無法關閉裝置所產生的電流。
該裝置可能有多條電源線。若要除去裝置流出的所有電流，請確認已切斷所有電源線的電源。





DANGER

Le courant électrique provenant de l'alimentation, du téléphone et des câbles de transmission peut présenter un danger.

Pour éviter tout risque de choc électrique :

- Ne manipulez aucun câble et n'effectuez aucune opération d'installation, d'entretien ou de reconfiguration de ce produit au cours d'un orage.
- Branchez tous les cordons d'alimentation sur un socle de prise de courant correctement câblé et mis à la terre.
- Branchez sur des socles de prise de courant correctement câblés tout équipement connecté à ce produit.
- Lorsque cela est possible, n'utilisez qu'une seule main pour connecter ou déconnecter les câbles d'interface.
- Ne mettez jamais un équipement sous tension en cas d'incendie ou d'inondation, ou en présence de dommages matériels.
- Avant de retirer les carters de l'unité, mettez celle-ci hors tension et déconnectez ses cordons d'alimentation, ainsi que les câbles qui la relient aux réseaux, aux systèmes de télécommunication et aux modems (sauf instruction contraire mentionnée dans les procédures d'installation et de configuration).
- Lorsque vous installez, que vous déplacez, ou que vous manipulez le présent produit ou des périphériques qui lui sont raccordés, reportez-vous aux instructions ci-dessous pour connecter et déconnecter les différents cordons.

Connexion	Déconnexion
1. Mettez les unités HORS TENSION.	1. Mettez les unités HORS TENSION.
2. Commencez par brancher tous les cordons sur les unités.	2. Débranchez les cordons d'alimentation des prises.
3. Branchez les câbles d'interface sur des connecteurs.	3. Débranchez les câbles d'interface des connecteurs.
4. Branchez les cordons d'alimentation sur des prises.	4. Débranchez tous les câbles des unités.
5. Mettez les unités SOUS TENSION.	



ATTENTION:

Remplacer la pile au lithium usagée par une pile de référence identique exclusivement, (référence 33F8354), ou suivre les instructions du fabricant qui en définit les équivalences. Si votre système est doté d'un module contenant une pile au lithium, vous devez le remplacer uniquement par un module identique, produit par le même fabricant. La pile contient du lithium et peut exploser en cas de mauvaise utilisation, de mauvaise manipulation ou de mise au rebut inappropriée.

Ne pas :

- la jeter à l'eau,
- l'exposer à des températures supérieures à 100°C,
- chercher à la réparer ou à la démonter.

Ne pas mettre la pile à la poubelle. Pour la mise au rebut, se reporter à la réglementation en vigueur.



ATTENTION:

Si des produits à laser (tels que des unités de CD-ROM, de DVD-ROM, des unités à fibres optiques, ou des émetteurs) sont installés, prenez connaissance des informations suivantes :

- Ne retirez pas le carter. En ouvrant l'unité de CD-ROM ou de DVD-ROM, vous vous exposez au rayonnement dangereux du laser. Aucune pièce de l'unité n'est réparable.
- Pour éviter tout risque d'exposition au rayon laser, respectez les consignes de réglage et d'utilisation des commandes, ainsi que les procédures décrites dans le présent manuel.



DANGER

Certains produits à laser contiennent une diode à laser intégrée de classe 3A ou 3B. Prenez connaissance des informations suivantes:

Rayonnement laser lorsque le carter est ouvert. Evitez toute exposition directe au rayon laser. Evitez de regarder fixement le faisceau ou de l'observer à l'aide d'instruments optiques.



≥18 kg (37 lbs)



≥32 kg (70.5 lbs)



≥55 kg (121.2 lbs)

ATTENTION:

Soulevez la machine avec précaution.



ATTENTION:

L'interrupteur de contrôle d'alimentation de l'unité et l'interrupteur dubloc d'alimentation ne coupent pas le courant électrique alimentant l'unité. En outre, le système peut être équipé de plusieurs cordons d'alimentation. Pour mettre l'unité hors tension, vous devez déconnecter tous les cordons de la source d'alimentation.





VORSICHT

An Netz-, Telefon- und Datenleitungen können gefährliche Spannungen anliegen.

Aus Sicherheitsgründen:

- Bei Gewitter an diesem Gerät keine Kabel anschließen oder lösen. Ferner keine Installations-, Wartungs- oder Rekonfigurationsarbeiten durchführen.
- Gerät nur an eine Schutzkontaktsteckdose mit ordnungsgemäß geerdetem Schutzkontakt anschließen.
- Alle angeschlossenen Geräte ebenfalls an Schutzkontaktsteckdosen mit ordnungsgemäß geerdetem Schutzkontakt anschließen.
- Die Signalkabel nach Möglichkeit einhändig anschließen oder lösen, um einen Stromschlag durch Berühren von Oberflächen mit unterschiedlichem elektrischem Potenzial zu vermeiden.
- Geräte niemals einschalten, wenn Hinweise auf Feuer, Wasser oder Gebäudeschäden vorliegen.
- Die Verbindung zu den angeschlossenen Netzkabeln, Telekommunikationssystemen, Netzwerken und Modems ist vor dem Öffnen des Gehäuses zu unterbrechen, sofern in den Installations- und Konfigurationsprozeduren keine anders lautenden Anweisungen enthalten sind.
- Zum Installieren, Transportieren und Öffnen der Abdeckungen des Computers oder der angeschlossenen Einheiten die Kabel gemäß der folgenden Tabelle anschließen und abziehen.

Zum Anschließen der Kabel gehen Sie wie folgt vor	Zum Abziehen der Kabel gehen Sie wie folgt vor
<ol style="list-style-type: none">1. Schalten Sie alle Einheiten AUS.2. Schließen Sie erst alle Kabel an die Einheiten an.3. Schließen Sie die Signalkabel an die Buchsen an.4. Schließen Sie die Netzkabel an die Steckdose an.5. Schalten Sie die Einheit EIN.	<ol style="list-style-type: none">1. Schalten Sie alle Einheiten AUS.2. Ziehen Sie zuerst alle Netzkabel aus den Netzsteckdosen.3. Ziehen Sie die Signalkabel aus den Buchsen.4. Ziehen Sie alle Kabel von den Einheiten ab.



CAUTION:

Eine verbrauchte Lithiumbatterie nur durch eine Batterie mit der Teilenummer 33F8354 oder eine gleichwertige, vom Hersteller empfohlene Batterie ersetzen. Enthält das System ein Modul mit einer Lithiumbatterie, dieses nur durch ein Modul desselben Typs und von demselben Hersteller ersetzen. Die Batterie enthält Lithium und kann bei unsachgemäßer Verwendung, Handhabung oder Entsorgung explodieren.

Die Batterie nicht:

- mit Wasser in Berührung bringen.
- über 100 C erhitzen.
- reparieren oder zerlegen.

Die örtlichen Bestimmungen für die Entsorgung von Sondermüll beachten.



ACHTUNG:

Bei der Installation von Lasergeräten (wie CD-ROM-Laufwerken, DVD-aufwerken, Einheiten mit Lichtwellenleitertechnik oder Sendern) Folgendes beachten:

- Die Abdeckungen nicht entfernen. Durch Entfernen der Abdeckungen des Lasergeräts können gefährliche Laserstrahlungen freigesetzt werden. Das Gerät enthält keine zu wartenden Teile.
- Werden Steuerelemente, Einstellungen oder Durchführungen von Prozeduren anders als hier angegeben verwendet, kann gefährliche Laserstrahlung auftreten.



VORSICHT

Einige Lasergeräte enthalten eine Laserdiode der Klasse 3A oder 3B. Beachten Sie Folgendes:

Laserstrahlung bei geöffneter Verkleidung. Nicht in den Strahl blicken. Keine Lupen oder Spiegel verwenden. Strahlungsbereich meiden.



≥18 kg (37 lbs)



≥32 kg (70.5 lbs)



≥55 kg (121.2 lbs)

ACHTUNG:

Arbeitsschutzrichtlinien beim Anheben der Maschine beachten.



ACHTUNG:

Mit dem Netzschalter an der Einheit und am Netzteil wird die Stromversorgung für die Einheit nicht unterbrochen. Die Einheit kann auch mit mehreren Netzkabeln ausgestattet sein. Um die Stromversorgung für die Einheit vollständig zu unterbrechen, müssen alle zum Gerät führenden Netzkabel vom Netz getrennt werden.





סכנה

זרם חשמלי המועבר בכבלי חשמל, טלפון ותקשורת הוא מסוכן.

כדי להימנע מסכנת התחשמלות:

- אל תחברו או תנתקו כבלים, ואל תבצעו פעולת התקנה, תחזוקה או שינוי תצורה במוצר זה במהלך סופת ברקים.
- חברו את כל כבלי החשמל לשקע חשמל מחווט ומוארק כהלכה.
- חברו כל ציוד שיחובר למוצר זה לשקעי חשמל מחוטים כהלכה.
- במידת האפשר, השתמשו ביד אחת בלבד לחיבור או לניתוק של כבלי אותות.
- לעולם אל תפעילו ציוד כלשהו כאשר יש עדות לנזק מבני או לנזק כתוצאה מאש או ממים.
- נתקו את כבלי החשמל, מערכות התקשורת, התקני הרשת והמודמים המחוברים לפני פתיחת כיסויי ההתקן, אלא אם הליכי ההתקנה וקביעת התצורה מורים אחרת.
- בעת התקנה, העברה או פתיחת כיסויים במוצר זה או בהתקנים המחוברים, חברו ונתקו את הכבלים כמתואר בטבלה שלהלן.

כדי לחבר	כדי לנתק
1. כבו הכל.	1. כבו הכל.
2. ראשית, חברו את כל הכבלים להתקנים.	2. ראשית, נתקו את כבלי החשמל מהשקעים.
3. חברו את כבלי האותות למחברים.	3. נתקו את כבלי האותות מהמחברים.
4. חברו את כבלי החשמל לשקעים.	4. הסירו את כל הכבלים מההתקנים.
5. הפעילו את ההתקן.	



זהירות:

בעת החלפת סוללת הליתיום, השתמשו רק בסוללה בעלת מק"ט 33F8354 או בסוג תואם שהומלץ על ידי היצרן. אם המערכת כוללת מודול המכיל סוללת ליתיום, החליפו אותו רק במודול מאותו סוג ומתוצרת אותו יצרן. הסוללה מכילה ליתיום, ועלולה להתפוצץ אם לא משתמשים ומטפלים בה או משליכים אותה כראוי.

לעולם:

- אל תטבלו במים

- אל תחממו לטמפרטורה הגבוהה מ-100°C (212°F)

- אל תתקנו או תפרקו

השליכו את הסוללה כנדרש לפי התקנות והחוקים המקומיים.



זהירות:

בעת התקנת מוצרי לייזר (כגון כונני תקליטורים ו-DVD, התקני סיב אופטי או משדרים), שימו לב לאזהרות הבאות:

- אל תסירו את הכיסויים. הסרת הכיסויים של מוצר הלייזר עלולה לגרום לחשיפה לקרינת לייזר מסוכנת. אין חלקים ברי טיפול בתוך ההתקן.

- שינויים, שימוש בבקרות או ביצוע הליכים אחרים מאלה המתוארים כאן, עלולים לגרום לחשיפה לקרינה מסוכנת.



סכנה

מוצרי לייזר מסוימים מכילים דיודת לייזר מסוג Class 3A או Class 3B. שימו לב לאזהרה הבאה:

כאשר הוא פתוח, המוצר פולט קרינת לייזר. אל תביטו ישירות בקרן, אל תביטו ישירות בעזרת ציוד אופטי, והימנעו מחשיפה לקרן.



$18 \leq$ ק"ג (37 ליב')



$32 \leq$ ק"ג (70.5 ליב')



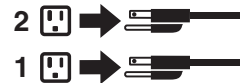
$55 \leq$ ק"ג (121.2 ליב')

זהירות:
השתמשו בהליכים
הנאותים בעת
הרמת הציוד.



זהירות:

לחצן הפעלה של ההתקן ומתג הפעלה של ספק החשמל אינם מפסיקים את זרם החשמל המסופק להתקן. בנוסף, ההתקן עשוי לכלול יותר מכבל חשמל אחד. כדי לסלק את כל הזרם החשמלי מההתקן, ודאו שכל כבלי החשמל מנותקים ממקור החשמל.





PERICOLO

La corrente elettrica proveniente dai cavi di alimentazione, del telefono e di comunicazione può essere pericolosa.

Per evitare il rischio di scosse elettriche:

- **Non collegare o scollegare qualsiasi cavo oppure effettuare l'installazione, la manutenzione o la riconfigurazione del prodotto durante un temporale.**
- **Collegare tutti i fili elettrici a una presa di alimentazione correttamente cablata e dotata di messa a terra.**
- **Collegare alle prese elettriche appropriate tutte le apparecchiature che verranno utilizzate per questo prodotto.**
- **Se possibile, utilizzare solo una mano per collegare o scollegare i cavi di segnale.**
- **Non accendere assolutamente apparecchiature in presenza di incendi, perdite d'acqua o danno strutturale.**
- **Scollegare i cavi di alimentazione, i sistemi di telecomunicazione, le reti e il modem prima di aprire i coperchi del dispositivo, salvo istruzioni contrarie relative alle procedure di installazione e configurazione.**
- **Collegare e scollegare i cavi come descritto nella seguente tabella quando vengono effettuate operazioni di installazione, spostamento o apertura dei coperchi di questo prodotto o delle unità collegate.**

Per collegarsi	Per scollegarsi
1. SPEGNERE le apparecchiature.	1. SPEGNERE le apparecchiature.
2. Innanzitutto, collegare tutti i cavi alle unità.	2. Innanzitutto, rimuovere i cavi di alimentazione dalla presa.
3. Collegare i cavi di segnale ai connettori.	3. Rimuovere i cavi di segnale dai connettori.
4. Collegare i cavi di alimentazione alla presa.	4. Rimuovere tutti i cavi dalle unità.
5. Accendere l'unità.	



ATTENZIONE:

Quando si sostituisce la batteria al litio, utilizzare solo il Numero parte 33F8354 o un tipo di batteria equivalente consigliato dal produttore. Se sul sistema è presente un modulo che contiene una batteria al litio, sostituirlo solo con un tipo di modulo dello stesso tipo della stessa casa di produzione. La batteria contiene litio e può esplodere se usata, maneggiata o smaltita in modo non corretto.

Non:

- Gettare o immergere la batteria nell'acqua
- Riscaldarla ad una temperatura superiore ai 100 gradi C (212 gradi F)
- Smontarla, ricaricarla o tentare di ripararla

Le batterie usate vanno smaltite in accordo alla normativa in vigore (DPR 915/82 e successive disposizioni e disposizioni locali).



ATTENZIONE:

Quando vengono installati prodotti laser (quali CD-ROM, unità DVD-ROM, unità a fibre ottiche o trasmettenti), tener presente quanto segue:

- Non rimuovere gli sportelli. L'apertura di un'unità laser può determinare l'esposizione a radiazioni laser pericolose. All'interno dell'unità non vi sono parti su cui effettuare l'assistenza tecnica.
- L'utilizzo di controlli, regolazioni o l'esecuzione di procedure non descritti nel presente manuale possono provocare l'esposizione a radiazioni pericolose.



PERICOLO

Alcune unità laser contengono un diodo laser di Classe 3A o Classe 3B. Tener presente quanto segue:

Aperto l'unità vengono emesse radiazioni laser. Non fissare il fascio, non guardarlo direttamente con strumenti ottici ed evitare l'esposizione al fascio.



≥18 kg (37 lbs)



≥32 kg (70.5 lbs)



≥55 kg (121.2 lbs)

ATTENZIONE:

Prestare attenzione nel sollevare l'apparecchiatura.



ATTENZIONE:

Il pulsante di controllo dell'alimentazione presente sull'unità e l'interruttore dell'alimentatore non disattivano l'alimentazione corrente fornita all'unità. E' possibile che l'unità disponga di più cavi di alimentazione. Per disattivare l'alimentazione dall'unità, accertarsi che tutti i cavi di alimentazione siano scollegati dalla fonte di alimentazione.





위험

전원, 전화, 통신 케이블의 전류는 위험합니다.

감전의 위험을 피하려면 다음과 같이 하십시오.

- 번개가 치는 날에는 케이블을 연결 또는 분리하거나 본 제품을 설치, 보수, 재구성하지 마십시오.
- 모든 전원 코드는 올바르게 접지된 전기 콘센트에 연결하십시오.
- 본 제품에 연결될 장치는 올바르게 배선된 콘센트에 연결하십시오.
- 신호 케이블을 연결 또는 분리할 때 가능하면 한 손만을 사용하십시오.
- 불 또는 물로 인한 손상이나 구조적인 손상이 있을 경우 장치의 전원을 절대 켜지 마십시오.
- 설치 및 구성 과정에 별도의 지시 사항이 없는 경우, 장치의 덮개를 열기 전에 연결된 전원 코드, 원격 통신 시스템, 네트워크, 모뎀을 분리하십시오.
- 본 제품이나 연결된 장치를 설치, 이동하거나 덮개를 열 때 다음 표와 같은 순서로 케이블을 연결하거나 분리하십시오.

연결할 때:	분리할 때:
<ol style="list-style-type: none"> 1. 모든 장치의 전원을 끄십시오. 2. 먼저 모든 케이블을 장치에 연결하십시오. 3. 커넥터에 신호 케이블을 연결하십시오. 4. 콘센트에 전원 코드를 연결하십시오. 5. 장치의 전원을 켜십시오. 	<ol style="list-style-type: none"> 1. 모든 장치의 전원을 끄십시오. 2. 먼저 콘센트에서 전원 코드를 분리하십시오. 3. 커넥터에서 신호 케이블을 분리하십시오. 4. 장치에서 모든 케이블을 분리하십시오.



주의:

배터리를 교환할 때는 Part Number 33F8354 또는 제조업체에서 지정한 동일한 종류의 제품을 사용하십시오. 사용자의 시스템이 리튬 배터리를 포함하는 모듈일 경우, 동일한 제조업체에서 동일한 모듈 유형으로 생산된 제품으로 교체하십시오. 배터리에는 리튬이 함유되어 있어 잘못 사용, 취급 또는 폐기할 경우 폭발의 위험이 있습니다.

사고를 방지하려면 다음 사항을 준수하십시오.

- 배터리를 물 속에 던지거나 침수시키지 마십시오.
- 100℃(212°F) 이상 가열하지 마십시오.
- 수리하거나 분해하지 마십시오.

배터리를 폐기할 때는 법령 또는 회사의 안전 수칙에 따라 폐기하십시오.



주의:

CD-ROM, DVD-ROM 장치, 광섬유 장치 또는 송신 장치와 같은 레이저 제품을 설치할 때, 다음과 같은 취급 주의사항을 참고하십시오.

- 덮개를 열지 마십시오. 덮개를 열면 레이저 복사 에너지에 노출될 위험이 있습니다. 장치 내부에는 사용자가 조정하거나 수리할 수 있는 부품이 없습니다.
- 규정된 것 이외의 절차 수행, 제어 조정 등의 행위로 인해 해로운 레이저 복사에 노출될 수 있습니다.



위험

일부 장비에는 임베디드 클래스 3A 또는 클래스 3B 레이저 다이오드가 있습니다. 다음 주의사항에 유의하십시오.

드라이브가 열리면 레이저 복사 에너지가 방출됩니다. 광선이 눈에 직접 쏘이지 않도록 하십시오. 나안 또는 광학 기구를 착용한 상태에서 광선을 직접 바라보지 않도록 하십시오.



≥ 18 kg (37 lbs)



≥ 32 kg (70.5 lbs)



≥ 55 kg (121.2 lbs)

주의:

제품을 들어 올릴 때 안전 규제를 따르십시오.



주의:

장치의 전원 제어 버튼 및 전원 공급 장치의 전원 스위치를 사용하여 장치에 공급되는 전기를 차단하지 마십시오. 장치는 둘 이상의 코드를 가지고 있을 수 있습니다. 장치에서 모든 전원을 차단하려면 콘센트에서 코드가 모두 분리되어 있는지 확인하십시오.





PELIGRO

La corriente eléctrica procedente de cables de alimentación, teléfonos y cables de comunicación puede ser peligrosa.

Para evitar el riesgo de descarga eléctrica:

- **No conecte ni desconecte los cables ni realice ninguna tarea de instalación, mantenimiento o reconfiguración de este producto durante una tormenta eléctrica.**
- **Conecte todos los cables de alimentación a tomas de corriente debidamente cableadas y conectadas a tierra.**
- **Cualquier equipo que se conecte a este producto también debe conectarse a tomas de corriente debidamente cableadas.**
- **Siempre que sea posible, utilice una sola mano para conectar o desconectar los cables de señal.**
- **No encienda nunca un equipo cuando hay señales de fuego, agua o daños estructurales.**
- **Desconecte los cables de alimentación, los sistemas de telecomunicaciones, las redes y los módems conectados antes de abrir las cubiertas de los dispositivos, a menos que se indique lo contrario en los procedimientos de instalación y configuración.**
- **Conecte y desconecte los cables, como se describe en la tabla siguiente, cuando instale, mueva o abra las cubiertas de este producto o de los dispositivos conectados.**

Para conectar	Para desconectar
<ol style="list-style-type: none">1. APÁGUELO todo.2. En primer lugar, conecte todos los cables a los dispositivos.3. Conecte los cables de señal a los conectores.4. Enchufe los cables de alimentación a las tomas de corriente.5. Encienda el dispositivo.	<ol style="list-style-type: none">1. APÁGUELO todo.2. En primer lugar, desenchufe los cables de alimentación de las tomas de corriente.3. Desconecte los cables de señal de los conectores.4. Desconecte todos los cables de los dispositivos.



PRECAUCIÓN:

Cuando sustituya una batería de litio, utilice solamente una batería número de pieza 33F8354 u otra de tipo equivalente recomendada por el fabricante. Si su sistema dispone de un módulo que contiene una batería de litio, reemplácelo sólo con el mismo tipo de módulo, del mismo fabricante. La batería contiene litio y puede explotar si no se utiliza, manipula o desecha correctamente.

No debe:

- Arrojarla al agua o sumergirla en ella
- Exponerla a temperaturas superiores a 100°C (212°F)
- Repararla o desmontarla

Deshágase de la batería según especifiquen las leyes o normas locales.



PRECAUCIÓN:

Cuando haya productos láser (como unidades de CD-ROM, unidades de DVD, dispositivos de fibra óptica o transmisores) instalados, tenga en cuenta lo siguiente:

- No quite las cubiertas. Si quita las cubiertas del producto láser, podría quedar expuesto a radiación láser peligrosa. Dentro del dispositivo no existe ninguna pieza que requiera servicio técnico.
- Si usa controles o ajustes o realiza procedimientos que no sean los especificados aquí, podría exponerse a radiaciones peligrosas.



PELIGRO

Algunos productos láser tienen incorporado un diodo láser de clase 3A o clase 3B. Tenga en cuenta lo siguiente:

Cuando se abre, queda expuesto a radiación láser. No mire directamente al rayo láser, ni siquiera con instrumentos ópticos, y evite exponerse directamente al rayo láser.



≥18 kg (37 lbs)



≥32 kg (70.5 lbs)



≥55 kg (121.2 lbs)

PRECAUCIÓN:

Adopte procedimientos seguros al levantar el equipo.



PRECAUCIÓN:

El botón de control de alimentación del dispositivo y el interruptor de alimentación de la fuente de alimentación no desconectan la corriente eléctrica suministrada al dispositivo. Además, el dispositivo podría tener más de un cable de alimentación. Para suprimir toda la corriente eléctrica del dispositivo, asegúrese de que todos los cables de alimentación estén desconectados de la toma de corriente.



Chapter 3. General information

This chapter provides general information that applies to all the machine types supported by this manual.

Lenovo ThinkVantage Tools

Note: The Lenovo ThinkVantage® Tools program is only available on computers with the Microsoft® Windows® 7 operating system from Lenovo.

The Lenovo ThinkVantage Tools program helps you work more easily and securely by providing easy access to various tools, such as:

- Lenovo ThinkVantage Toolbox
- Password Manager
- Power Manager
- Product Recovery
- Rescue and Recovery®
- ThinkVantage System Update

To access the Lenovo ThinkVantage Tools program, click **Start → All Programs → Lenovo ThinkVantage Tools**.

Lenovo Care

Note: The Lenovo CareSM program is only available on computers preinstalled with the Microsoft Windows Vista® operating system or the Microsoft Windows XP operating system from Lenovo.

The Lenovo Care program contains information sources and tools designed to make computing easy and secure. It provides easy access to various technologies, such as:

- Password Manager
- Power Manager
- Product Recovery
- Rescue and Recovery
- ThinkVantage System Update

To access the Lenovo Care program, click **Start → All Programs → ThinkVantage → Lenovo Care**.

Access Help

The Access Help information system provides information about getting started, doing basic tasks, customizing settings for your personal preference, protecting data, expanding and upgrading, and troubleshooting.

- To open the Access Help information system on the Windows 7 operating system, click **Start → Help and Support → Lenovo Access Help**.

- To open the Access Help information system on the Windows Vista operating system or the Windows XP operating system, click **Start** → **All Programs** → **ThinkVantage** → **Access Help**.

After you have opened the Access Help information system, use the left panel to make a selection from the **Contents** tab or the **Index** tab, or use the **Search** tab to find a particular word or phrase.

Additional information resources

If you have Internet access, the most up-to-date information for your computer is available at:

<http://www.lenovo.com/support>

You can find the following information:

- CRU installation or replacement instructions
- Downloads and drivers
- Publications
- Parts information
- Troubleshooting information
- Links to other useful sources of information

Specifications

This section lists the physical specifications for your computer.

For machine types: 7515, 7523, 7569, and 7611.

Dimensions

Width: 175 mm (6.9 inches)

Height: 412 mm (16.2 inches)

Depth: 442 mm (17.4 inches)

Weight

Maximum configuration as shipped: 11.2 kg (24.7 lbs)

For machine types: 7522, 7560, 7610, and 7705.

Dimensions

Width: 317 mm (12.48 inches)

Height: 99 mm (3.90 inches)

Depth: 355 mm (13.98 inches)

Weight

Maximum configuration as shipped: 7.5 kg (16.53 lbs)

For all machine types

Environment

Air temperature:

Operating: 10° to 35°C (50° to 95°F)

Non-operating: -40° to 60°C (-40° to 140°F) (with package)

Non-operating: -10° to 60°C (14° to 140°F) (without package)

Humidity:

Operating: 10% to 80% (10% per hour, non condensing)

Non-operating: 10% to 90% (10% per hour, non condensing)

Altitude:

Operating: -50 to 10 000 ft (-15.2 to 3 048 m)

Non-operating: -50 to 35 000 ft (-15.2 to 10 668 m)

Electrical input

Input voltage:

Low range:

Minimum: 100 V ac

Maximum: 127 V ac

Input frequency range: 50 to 60 Hz

Voltage-selection switch setting: 115 V ac

High range:

Minimum: 200 V ac

Maximum: 240 V ac

Input frequency range: 50 to 60 Hz

Voltage-selection switch setting: 230 V ac

Chapter 4. General checkout

Attention

The drives in the computer you are servicing might have been rearranged or the drive startup sequence changed. Be extremely careful during write operations such as copying, saving, or formatting. Data or programs can be overwritten if you select an incorrect drive.

General error messages appear if a problem or conflict is found by an application program, the operating system, or both. For an explanation of these messages, refer to the information supplied with that software package.

Before replacing any FRUs, ensure that the latest level of BIOS is installed on the system. A down-level BIOS might cause false errors and unnecessary replacement of the system board. For more information on how to determine and obtain the latest level BIOS, see “BIOS levels” on page 277.

Use the following procedure to help determine the cause of the problem:

1. Power-off the computer and all external devices.
2. Check all cables and power cords.
3. Set all display controls to the middle position.
4. Power-on all external devices.
5. Power-on the computer.
 - Look for displayed error codes
 - Listen for beep codes
 - Look for readable instructions or a main menu on the display.If you **did not** receive the correct response, proceed to step 6.
If you **do** receive the correct response, proceed to step 7.
6. Look at the following conditions and follow the instructions:
 - If you hear beep codes during POST, go to “Beep symptoms” on page 77.
 - If the computer displays a POST error, go to “POST error codes” on page 78.
 - If the computer hangs and no error is displayed, continue at step 7.
7. Run the Diagnostic programs. See Chapter 5, “Diagnostics,” on page 45.
 - If you receive an error, replace the part that the diagnostic program calls out or go to “Diagnostic error codes” on page 56.
 - If the test stops and you cannot continue, replace the last device tested.

Problem determination tips

Due to the variety of hardware and software combinations that can be encountered, use the following information to assist you in problem determination. If possible, have this information available when requesting assistance from Service Support and Engineering functions.

- Machine type and model
- Processor or hard disk upgrades
- Failure symptom
 - Do diagnostics indicate a failure?

- What, when, where, single, or multiple systems?
- Is the failure repeatable?
- Has this configuration ever worked?
- If it has been working, what changes were made prior to it failing?
- Is this the original reported failure?
- Diagnostics version
 - Type and version level
- Hardware configuration
 - Print (print screen) configuration currently in use
 - BIOS level
- Operating system software
 - Type and version level

Note: To eliminate confusion, identical systems are considered identical only if they:

1. Are the exact machine type and models
2. Have the same BIOS level
3. Have the same adapters/attachments in the same locations
4. Have the same address jumpers/terminators/cabling
5. Have the same software versions and levels
6. Have the same Diagnostic Diskettes (version)
7. Have the same configuration options set in the system
8. Have the same setup for the operating system control files

Comparing the configuration and software setup between “working and non-working” systems will often lead to problem resolution.

Chapter 5. Diagnostics

Diagnostic programs are used to test hardware components of your computer and report operating-system-controlled settings that can cause hardware failures. There are two programs preinstalled on your computer to help you diagnose computer problems:

- Lenovo ThinkVantage Toolbox or Lenovo System Toolbox, depending on your operating system (used when you are running the Windows operating system)
- PC-Doctor for Rescue and Recovery (used when you cannot start the Windows operating system)

Notes:

1. You can also download the PC-Doctor for DOS diagnostic program from <http://www.lenovo.com/support>. See “PC-Doctor for DOS” on page 46 for detailed information.
2. If you are unable to isolate and repair the problem yourself after running the programs, save and print the log files created by the programs. You will need the log files when you turn to a Lenovo technical support representative for help.

Lenovo ThinkVantage Toolbox

Note: The Lenovo ThinkVantage Toolbox program is only available on computers preinstalled with the Windows 7 operating system from Lenovo.

The Lenovo ThinkVantage Toolbox program helps you maintain your computer, improve computing security, diagnose computer problems, get familiar with the innovative technologies provided by Lenovo, and get more information about your computer. You can use the Diagnostics feature of the Lenovo ThinkVantage Toolbox program to test devices, diagnose computer problems, create bootable diagnostic media, update system drivers, and view system information.

To run the Lenovo ThinkVantage Toolbox program, click **Start → All Programs → Lenovo ThinkVantage Tools → System Health and Diagnostics**. Follow the instructions on the screen.

For additional information about running the Lenovo ThinkVantage Toolbox program, refer to the Lenovo ThinkVantage Toolbox help system.

Lenovo System Toolbox

Note: The Lenovo System Toolbox program is only available on computers preinstalled with the Windows Vista operating system or the Windows XP operating system from Lenovo.

The Lenovo System Toolbox diagnostic program works through the Windows operating system to enable you to view symptoms and solutions for computer problems, access the Lenovo troubleshooting center, update system drivers, and view system information.

To run the Lenovo System Toolbox program, click **Start → All Programs → Lenovo Services → Lenovo System Toolbox**. Follow the instructions on the screen.

For additional information about running the Lenovo System Toolbox program, refer to the Lenovo System Toolbox help system.

PC-Doctor for Rescue and Recovery

The PC-Doctor for Rescue and Recovery diagnostic program is part of the Rescue and Recovery workspace on your Lenovo computer. Use the PC-Doctor for Rescue and Recovery program if you are unable to start the Windows operating system.

To run the PC-Doctor for Rescue and Recovery program from the Rescue and Recovery workspace, do the following:

1. Turn off the computer.
2. Repeatedly press and release the F11 key when turning on the computer. When you hear beeps or see a logo screen, release the F11 key. The Rescue and Recovery workspace opens after a short delay.
3. From the Rescue and Recovery workspace, select **Launch advanced Rescue and Recovery → Diagnose hardware**. The PC-Doctor for Rescue and Recovery program opens.
4. Select the diagnostic test of your choice. Then, follow the instructions on the screen.

For additional information about running the PC-Doctor for Rescue and Recovery program, refer to the PC-Doctor for Rescue and Recovery help system.

Note: If you encounter failures that prevent you from gaining access to the Rescue and Recovery workspace, you can run the PC-Doctor for Rescue and Recovery diagnostic program after using a rescue medium to recover the computer from failures and gaining access to the Rescue and Recovery workspace. Refer to “Creating and using rescue media” in your *ThinkCentre User Guide*.

PC-Doctor for DOS

You can also download the latest version of the PC-Doctor for DOS diagnostic program from <http://www.lenovo.com/support>. The PC-Doctor for DOS diagnostic program runs independently of the Windows operating system. Use the PC-Doctor for DOS diagnostic program if you are unable to start the Windows operating system. You can run the PC-Doctor for DOS diagnostic program from a diagnostic disc that you created.

Creating a diagnostic disc

This section provides instructions on how to create a diagnostic disc.

To create a diagnostic disc, do the following:

1. Download a self-starting bootable CD/DVD image (known as an ISO image) of the diagnostic program from:
<http://www.lenovo.com/support>
2. Use any CD/DVD burning software to create a diagnostic disc with the ISO image.

Running the diagnostic program from the diagnostic disc

This section provides instructions on how to run the diagnostic program from the diagnostic disc that you created.

To run the diagnostic program from the diagnostic disc that you created, do the following:

1. Repeatedly press and release the F12 key when turning on the computer. When the **Startup Device Menu** opens, release the F12 key.
2. Insert the diagnostic disc into the optical drive.
3. Select the optical drive with the diagnostic disc as the startup device and press Enter. The diagnostic program opens.
4. Follow the instructions on the screen to select the diagnostic test of your choice. For additional help, press the F1 key.
5. Remove the diagnostic disc from the optical drive when you complete the diagnostic process.

Navigating through the diagnostics programs

Use the cursor movement keys to navigate within the menus.

- The **Enter** key is used to select a menu item.
- The **Esc** key is used to back up to the previous menu.
- For online help select **F1**.

Running tests

There are four ways to run the diagnostic tests.

- Using the cursor movement keys, highlight **Run Normal Test** or **Run Quick Test** from the Diagnostics menu and then press **Enter**.

This automatically runs a pre-defined group of tests from each test category.

Run Normal Test runs a more extensive set of tests than does **Run Quick Test** and takes longer to complete.

- Press **F5** to automatically run all selected tests in all categories.
- From within a test category, press **Ctrl-Enter** to automatically run only the selected tests in that category.
- Using the cursor movement keys, highlight a single test within a test category, and then press **Enter**. This runs only that test.

Press **Esc** at any time to stop the testing process.

Test results (N/A, PASSED, FAILED, ABORTED) are displayed in the field beside the test description and in the test log. See “Viewing the test log” on page 49.

To select one or more tests, use the following procedure.

1. Open the corresponding test category.
2. Using the cursor movement keys, highlight the desired test.
3. Press the space bar.

A selected test is marked by >>. Pressing the space bar again de-selects a test and removes the >>.

4. Repeat steps 2 and 3 above to select all desired tests.

Test results

Diagnostics test results produce the following error code format:

Function Code	Failure Type	DeviceID	Date	ChkDigits	Text
---------------	--------------	----------	------	-----------	------

- **Function Code:**
Represents the feature or function within the PC.
- **Failure Type:**
Represents the type of error encountered.
- **DeviceID:**
Contains the component's unit-ID which corresponds to either a fixed disk drive, removable media drive, serial or parallel port, processor, specific RIMM, or a device on the PCI bus.
- **Date:**
Contains the date when the diagnostic test was run. The date is retrieved from CMOS and displayed using the YYYYMMDD format.
- **ChkDigits:**
Contains a 2-digit check-digit value to ensure the following:
 - Diagnostics were run on the specified date.
 - Diagnostics were run on the specified computer.
 - The diagnostic error code is recorded correctly.
- **Text:**
Description of the error.

Note: See "Diagnostic error codes" on page 56 for error code listings.

Quick and Full erase - hard drive

The diagnostics program offers two hard drive format utilities:

- Quick Erase Hard Drive
- Full Erase Hard Drive

The Quick Erase Hard Drive provides a DOS utility that performs the following:

- Destroys the Master Boot Record (MBR) on the hard drive.
- Destroys all copies of the FAT Table on all partitions (both the master and backup).
- Destroys the partition table.
- Provides messages that warn the user that this is a non-recoverable process.

The Full Erase Hard Drive provides a DOS utility that performs the following:

- Performs all the steps in Quick Erase.
- Provides a DOS utility that writes random data to all sectors of the hard drive.
- Provides an estimate of time to completion along with a visual representation of completion status.
- Provides messages that warn the user about non-recoverable process.

Important: Make sure that all data is backed up before using the Quick or Full Erase functions.
--

To select the Quick Erase or Full Erase Hard Drive utility, use the following procedure:

1. Select the UTILITY option on the toolbar and press **Enter**.
2. Select either the QUICK ERASE or FULL ERASE HARD DISK option and follow the instructions.

Viewing the test log

Errors reported by the diagnostic test will be displayed by the program as a failed test.

To view details of a failure or to view a list of test results, use the following procedure from any test category screen:

1. Press **F3** to activate the log file.
2. Press **F3** again to save the file to diskette or press **F2** to print the file.

Chapter 6. Using the Setup Utility program

You can use the Setup Utility program to view and change the configuration settings of your computer, regardless of which operating system you are using. However, the operating system settings might override any similar settings in the Setup Utility program.

Starting the Setup Utility program

To start the Setup Utility program, do the following:

1. Make sure your computer is turned off.
2. Repeatedly press and release the F1 key when turning on the computer. When you hear multiple beeps or see a logo screen, release the F1 key.

Note: If a password has been set, the Setup Utility program menu will not be displayed until you type the correct password. For more information, see "Using passwords."

The Setup Utility program might start automatically when the POST detects that hardware has been removed or new hardware has been installed in your computer.

Viewing and changing settings

The Setup Utility program menu lists various items about the system configuration settings. To view or change the settings, start the Setup Utility program. See "Starting the Setup Utility program." Then, follow the instructions on the screen.

When working with the Setup Utility program, you must use the keyboard. The keys used to perform various tasks are displayed at the bottom of each screen.

Using passwords

By using the Setup Utility program, you can set a password to prevent unauthorized access to your computer and data. The following options are available to help you set a power-on password or an administrator password:

- **Set Power-On Password**
- **Set Administrator Password**

You do not have to set a password to use your computer. However, using a password improves computing security. If you decide to set a password, read the following sections.

Password considerations

A password can be any combination of up to 16 (1 to 16) alphabetic and numeric characters. For security reasons, it is recommended to use a strong password that cannot be easily compromised. To set a strong password, use the following guidelines:

- Have at least eight characters in length and contain at least one alphabetic character and one numeric character
- Setup Utility program passwords are not case sensitive
- Not be your name or your user name
- Not be a common word or a common name
- Be significantly different from your previous passwords

Set Power-On Password

After you have set a power-on password using the **Set Power-On Password** option, the user is prompted to type a valid password each time the computer is turned on. The computer cannot be used until a valid password is typed in. For more information on how to set a password, see “Setting, changing, or deleting a password.”

Set Administrator Password

The **Set Administrator Password** option enables you to set an administrator password, which deters unauthorized users from changing configuration settings. If you are responsible for maintaining the settings of several computers, you might want to set an administrator password. For more information on how to set a password, see “Setting, changing, or deleting a password.”

After you have set an administrator password, a password prompt is displayed each time you try to access the Setup Utility program. You cannot access the Setup Utility program until a valid password is typed in.

If you have set both power-on password and administrator password, you can type either password to use your computer. However, to change any configuration settings, you must use your administrator password.

Setting, changing, or deleting a password

To set, change, or delete a password, do the following:

1. Start the Setup Utility program. See “Starting the Setup Utility program” on page 51.
2. From the Setup Utility program main menu, select **Security** → **Set Power-On Password** or **Set Administrator Password**.
3. Follow the instructions on the screen to set, change, or delete a password.

Note: A password can be any combination of up to 16 (1 to 16) alphabetic and numeric characters. For more information, see “Password considerations.”

Enabling or disabling a device

This section provides information on how to enable or disable user access to the following devices:

SATA Controller	When this feature is set to Disabled , all devices connected to the SATA connectors (such as hard disk drives or the optical drive) are disabled and will not be displayed in the system configuration.
Floppy A	When this feature is set to Disabled , the diskette drive cannot be accessed.

To set the SATA Controller, do the following:

1. Start the Setup Utility program. See “Starting the Setup Utility program” on page 51.
2. From the Setup Utility program menu, select **Devices** → **ATA Drives Setup** → **SATA Controller**.
3. Select the desired settings and press Enter.
4. Return to the Setup Utility program menu and select **Exit** → **Save Changes and Exit**.

Note: If you do not want to save the settings, select **Discard Changes and Exit**.

To set the Floppy A, do the following:

1. Start the Setup Utility program. See “Starting the Setup Utility program” on page 51.
2. From the Setup Utility program menu, select **Devices** → **Floppy Drive Setup** → **Floppy A**.
3. Select the desired settings and press Enter.
4. Return to the Setup Utility program menu and select **Exit** → **Save Changes and Exit**.

Note: If you do not want to save the settings, select **Discard Changes and Exit**.

Selecting a startup device

If your computer does not start up from a device such as a hard disk drive or the disc in an optical drive as expected, do one of the following to select the startup device of your choice.

Selecting a temporary startup device

This section provides instructions on how to select a temporary startup device. Use the instructions in this section to start up from any startup device.

Note: Not all discs and hard disk drives are bootable.

To select a temporary startup device, do the following:

1. Turn off your computer.
2. Repeatedly press and release the F12 key when turning on the computer. When the **Startup Device Menu** opens, release the F12 key.
3. Select the desired startup device on the **Startup Device Menu** and press Enter to begin.

Note: Selecting a startup device on the **Startup Device Menu** does not permanently change the startup device sequence.

Viewing or changing the startup device sequence

This section provides instructions on how to view or permanently change the configured startup device sequence.

To view or permanently change the configured startup device sequence, do the following:

1. Start the Setup Utility program. See “Starting the Setup Utility program” on page 51.
2. Select **Startup → Primary Boot Sequence**. Read the information displayed on the right side of the screen.
3. Select the first boot device, second boot device, and so on.
4. Press Esc to return to the **Startup** menu. Then, select the devices for the **Automatic Boot Sequence** and **Error Boot Sequence**.
5. Press Esc to return to the Setup Utility program main menu. You might have to press Esc several times.
6. Press F10 to save and exit the Setup Utility program.

Notes:

- a. If you do not want to save the settings, select **Exit → Discard Changes and Exit**.
- b. If you want to return to the default settings, press F9 or select **Exit → Load Optimal Defaults**.

Exiting the Setup Utility program

After you finish viewing or changing settings, press Esc to return to the Setup Utility program main menu. You might have to press Esc several times. Then, you can do one of the following:

- If you want to save the new settings, press F10 to save and exit the Setup Utility program. Otherwise, your changes will not be saved.
- If you do not want to save the settings, select **Exit → Discard Changes and Exit**.
- If you want to return to the default settings, press F9 or select **Exit → Load Optimal Defaults**.

Chapter 7. Symptom-to-FRU index

The Symptom-to-FRU index lists error symptoms and possible causes. The most likely cause is listed first. Always begin with Chapter 4, "General checkout," on page 43. This index can also be used to help you decide which FRUs to have available when servicing a computer. If you are unable to correct the problem using this index, go to "Undetermined problems" on page 81.

Notes:

1. If you have both an error message and an incorrect audio response, diagnose the error message first.
2. If you cannot run the diagnostic tests or you get a diagnostic error code when running a test, but did receive a POST error message, diagnose the POST error message first.
3. If you did not receive any error message, look for a description of your error symptoms in the first part of this index.

Hard disk drive boot error

A hard disk drive boot error can have the following causes.

Error	FRU/Action
The start-up drive is not in the boot sequence in configuration.	Check the configuration and ensure the start-up drive is in the boot sequence.
No operating system installed on the boot drive.	Install an operating system on the boot drive.
The boot sector on the start-up drive is corrupted.	The drive must be formatted, do the following: <ol style="list-style-type: none">1. Attempt to back-up the data on the failing hard disk drive.2. Using the operating systems programs, format the hard disk drive.
The drive is defective.	Replace the hard disk drive.

Power supply problems

If you suspect a power problem, use the following procedures.

Check/Verify	FRU/Action
Check the following for proper installation. <ul style="list-style-type: none">• Power Cord• On/Off Switch connector• On/Off Switch Power Supply connector• System Board Power Supply connectors• Microprocessor(s) connection	Reseat connectors
Check the power cord for continuity.	Power Cord
Check the power-on switch for continuity.	Power-on Switch

Diagnostic error codes

Refer to the following diagnostic error codes when using the diagnostic tests. See “Running tests” on page 47 for the specific type for information about the Diagnostic programs.

In the following index, X can represent any number.

Diagnostic error code	FRU/Action
000-000-XXX BIOS Test Passed	No action
000-002-XXX BIOS Timeout	<ol style="list-style-type: none">1. Flash the system. See “Updating (flashing) BIOS from a disc” on page 2782. System board
000-024-XXX BIOS Addressing test failure	<ol style="list-style-type: none">1. Flash the system. See “Updating (flashing) BIOS from a disc” on page 2782. System board
000-025-XXX BIOS Checksum Value error	<ol style="list-style-type: none">1. Flash the system. See “Updating (flashing) BIOS from a disc” on page 2782. System board
000-026-XXX FLASH data error	<ol style="list-style-type: none">1. Flash the system. See “Updating (flashing) BIOS from a disc” on page 2782. System board
000-027-XXX BIOS Configuration/Setup error	<ol style="list-style-type: none">1. Run Setup2. Flash the system. See “Updating (flashing) BIOS from a disc” on page 2783. System board
000-034-XXX BIOS Buffer Allocation failure	<ol style="list-style-type: none">1. Reboot the system2. Flash the system. See “Updating (flashing) BIOS from a disc” on page 2783. Run memory test4. System board
000-035-XXX BIOS Reset Condition detected	<ol style="list-style-type: none">1. Flash the system. See “Updating (flashing) BIOS from a disc” on page 2782. System board
000-036-XXX BIOS Register error	<ol style="list-style-type: none">1. Flash the system. See “Updating (flashing) BIOS from a disc” on page 2782. System board
000-038-XXX BIOS Extension failure	<ol style="list-style-type: none">1. Flash the system. See “Updating (flashing) BIOS from a disc” on page 2782. Adapter card3. System board

Diagnostic error code	FRU/Action
000-039-XXX BIOS DMI data error	<ol style="list-style-type: none"> Flash the system. See "Updating (flashing) BIOS from a disc" on page 278 System board
000-195-XXX BIOS Test aborted by user	Information only Re-start the test, if necessary
000-196-XXX BIOS test halt, error threshold exceeded	<ol style="list-style-type: none"> Press F3 to review the log file Re-start the test to reset the log file
000-197-XXX BIOS test warning	<ol style="list-style-type: none"> Make sure the component that is called out is connected and/or enabled. See Chapter 6, "Using the Setup Utility program," on page 51 Re-run test Replace the component that is called out in warning statement Replace the component under test
000-198-XXX BIOS test aborted	<ol style="list-style-type: none"> Make sure the component that is called out is connected and/or enabled. See Chapter 6, "Using the Setup Utility program," on page 51 Flash the system and retest. See "Updating (flashing) BIOS from a disc" on page 278 Go to "Undetermined problems" on page 81
000-199-XXX BIOS test failed, cause unknown	<ol style="list-style-type: none"> Go to "Undetermined problems" on page 81 Flash the system and re-test Replace component under function test
000-250-XXX BIOS APM failure	<ol style="list-style-type: none"> Flash the system. See "Updating (flashing) BIOS from a disc" on page 278 System board
000-270-XXX BIOS ACPI failure	<ol style="list-style-type: none"> Flash the system. See "Updating (flashing) BIOS from a disc" on page 278 System board
001-000-XXX System Test Passed	No action
001-00X-XXX System Error	System board
001-01X-XXX System Error	System board
001-024-XXX System Addressing test failure	System board

Diagnostic error code	FRU/Action
001-025-XXX System Checksum Value error	<ol style="list-style-type: none"> Flash the system. See “Updating (flashing) BIOS from a disc” on page 278 System board
001-026-XXX System FLASH data error	<ol style="list-style-type: none"> Flash the system. See “Updating (flashing) BIOS from a disc” on page 278 System board
001-027-XXX System Configuration/Setup error	<ol style="list-style-type: none"> Run Setup Flash the system. See “Updating (flashing) BIOS from a disc” on page 278 System board
001-032-XXX System Device Controller failure	System board
001-034-XXX System Device Buffer Allocation failure	<ol style="list-style-type: none"> Reboot the system Flash the system. See “Updating (flashing) BIOS from a disc” on page 278 Run memory test System board
001-035-XXX System Device Reset condition detected	System board
001-036-XXX System Register error	System board
001-038-XXX System Extension failure	<ol style="list-style-type: none"> Adapter card System board
001-039-XXX System DMI data structure error	<ol style="list-style-type: none"> Flash the system. See “Updating (flashing) BIOS from a disc” on page 278 System board
001-040-XXX System IRQ failure	<ol style="list-style-type: none"> Power-off/on system and re-test System board
001-041-XXX System DMA failure	<ol style="list-style-type: none"> Power-off/on system and re-test System board
001-195-XXX System Test aborted by user	Information only Re-start the test, if necessary
001-196-XXX System test halt, error threshold exceeded	<ol style="list-style-type: none"> Press F3 to review the log file Re-start the test to reset the log file
001-197-XXX System test warning	<ol style="list-style-type: none"> Make sure the component that is called out is connected and/or enabled. See Chapter 6, “Using the Setup Utility program,” on page 51 Re-run test Replace the component that is called out in warning statement Replace the component under test

Diagnostic error code	FRU/Action
001-198-XXX System test aborted	<ol style="list-style-type: none"> 1. If a component is called out, make sure it is connected and/or enabled. See Chapter 6, "Using the Setup Utility program," on page 51 2. Flash the system and retest. See "Updating (flashing) BIOS from a disc" on page 278 3. Go to "Undetermined problems" on page 81
001-199-XXX System test failed, cause unknown	<ol style="list-style-type: none"> 1. Go to "Undetermined problems" on page 81 2. Flash the system and re-test 3. Replace component under function test
001-250-XXX System ECC error	System board
001-254-XXX 001-255-XXX 001-256-XXX 001-257-XXX System DMA error	System board
001-260-XXX 001-264-XXX System IRQ error	System board
001-268-XXX System IRQ1 failure	<ol style="list-style-type: none"> 1. Device on IRQ1 2. System board
001-269-XXX System IRQ2 failure	<ol style="list-style-type: none"> 1. Device on IRQ2 2. System board
001-270-XXX System IRQ3 failure	<ol style="list-style-type: none"> 1. Device on IRQ3 2. System board
001-271-XXX System IRQ4 failure	<ol style="list-style-type: none"> 1. Device on IRQ4 2. System board
001-272-XXX System IRQ5 failure	<ol style="list-style-type: none"> 1. Device on IRQ5 2. System board
001-273-XXX System IRQ6 (diskette drive) failure	<ol style="list-style-type: none"> 1. Diskette Cable 2. Diskette drive 3. System board
001-274-XXX System IRQ7 failure	<ol style="list-style-type: none"> 1. Device on IRQ7 2. System board
001-275-XXX System IRQ8 failure	<ol style="list-style-type: none"> 1. Device on IRQ8 2. System board
001-276-XXX System IRQ9 failure	<ol style="list-style-type: none"> 1. Device on IRQ9 2. System board
001-277-XXX System IRQ10 failure	<ol style="list-style-type: none"> 1. Device on IRQ10 2. System board

Diagnostic error code	FRU/Action
001-278-XXX System IRQ11 failure	1. Device on IRQ11 2. System board
001-279-XXX System IRQ12 failure	1. Device on IRQ12 2. System board
001-280-XXX System IRQ13 failure	1. Device on IRQ13 2. System board
001-281-XXX System IRQ14 (hard disk drive) failure	1. Hard disk drive cable 2. Hard disk drive 3. System board
001-282-XXX System IRQ15 failure	1. Device on IRQ15 2. System board
001-286-XXX 001-287-XXX 001-288-XXX System Timer failure	System board
001-292-XXX System CMOS RAM error	1. Run Setup and re-test 2. System board
001-293-XXX System CMOS Battery	1. CMOS Battery 2. System board
001-298-XXX System RTC date/time update failure	1. Flash the system. See “Updating (flashing) BIOS from a disc” on page 278 2. System board
001-299-XXX System RTC periodic interrupt failure	System board
001-300-XXX System RTC Alarm failure	System board
001-301-XXX System RTC Century byte error	1. Flash the system. See “Updating (flashing) BIOS from a disc” on page 278 2. System board
005-000-XXX Video Test Passed	No action
005-00X-XXX Video error	1. Video card, if installed 2. System board
005-010-XXX 005-011-XXX 005-012-XXX 005-013-XXX Video Signal failure	1. Video card, if installed 2. System board
005-016-XXX Video Simple Pattern test failure	1. Video Ram 2. Video card, if installed 3. System board

Diagnostic error code	FRU/Action
005-024-XXX Video Addressing test failure	<ol style="list-style-type: none"> 1. Video card, if installed 2. System board
005-025-XXX Video Checksum Value error	<ol style="list-style-type: none"> 1. Video card, if installed 2. System board
005-027-XXX Video Configuration/Setup error	<ol style="list-style-type: none"> 1. Run Setup 2. Video drivers update 3. Video card, if installed 4. System board
005-031-XXX Video Device Cable failure	<ol style="list-style-type: none"> 1. Video cable 2. Monitor 3. Video card, if installed 4. System board
005-032-XXX Video Device Controller failure	<ol style="list-style-type: none"> 1. Video card, if installed 2. System board
005-036-XXX Video Register error	<ol style="list-style-type: none"> 1. Video card, if installed 2. System board
005-038-XXX System BIOS extension failure	<ol style="list-style-type: none"> 1. Video card, if installed 2. System board
005-040-XXX Video IRQ failure	<ol style="list-style-type: none"> 1. Video card, if installed 2. System board
005-195-XXX Video Test aborted by user	Information only Re-start the test, if necessary
005-196-XXX Video test halt, error threshold exceeded	<ol style="list-style-type: none"> 1. Press F3 to review the log file 2. Re-start the test to reset the log file
005-197-XXX Video test warning	<ol style="list-style-type: none"> 1. Make sure the component that is called out is connected and/or enabled. See Chapter 6, "Using the Setup Utility program," on page 51 2. Re-run test 3. Replace the component called out in warning statement 4. Replace the component under test
005-198-XXX Video test aborted	<ol style="list-style-type: none"> 1. If a component is called out, make sure it is connected and/or enabled. See Chapter 6, "Using the Setup Utility program," on page 51 2. Flash the system and re-test. See "Updating (flashing) BIOS from a disc" on page 278 3. Go to "Undetermined problems" on page 81

Diagnostic error code	FRU/Action
005-199-XXX Video test failed, cause unknown	<ol style="list-style-type: none"> 1. Go to "Undetermined problems" on page 81 2. Flash the system and re-test. See "Updating (flashing) BIOS from a disc" on page 278 3. Replace component under function test
005-2XX-XXX 005-3XX-XXX Video subsystem error	<ol style="list-style-type: none"> 1. Video card, if installed 2. System board
006-000-XXX Diskette interface Test Passed	No action
006-0XX-XXX Diskette interface error	<ol style="list-style-type: none"> 1. Diskette drive Cable 2. Diskette drive 3. System board
006-195-XXX Diskette interface Test aborted by user	Information only Re-start the test, if necessary
006-196-XXX Diskette interface test halt, error threshold exceeded	<ol style="list-style-type: none"> 1. Press F3 to review the log file 2. Re-start the test to reset the log file
006-197-XXX Diskette interface test warning	<ol style="list-style-type: none"> 1. If a component is called out, make sure it is connected and/or enabled 2. Re-run test 3. Replace the component that is called out in warning statement 4. Replace the component under test
006-198-XXX Diskette interface test aborted	<ol style="list-style-type: none"> 1. If a component is called out, make sure it is connected and/or enabled 2. Flash the system and re-test. See "Updating (flashing) BIOS from a disc" on page 278 3. Go to "Undetermined problems" on page 81
006-199-XXX Diskette interface test failed, cause unknown	<ol style="list-style-type: none"> 1. Go to "Undetermined problems" on page 81 2. Flash the system and re-test 3. Replace component under function test
006-25X-XXX Diskette interface Error	<ol style="list-style-type: none"> 1. Diskette drive cable 2. Diskette drive 3. System board
011-000-XXX Serial port Interface Test Passed	No action
011-001-XXX Serial port Presence	<ol style="list-style-type: none"> 1. Remove external serial device, if present 2. Run setup, enable port 3. System board

Diagnostic error code	FRU/Action
011-002-XXX 011-003-XXX Serial port Timeout/Parity error	System board
011-013-XXX 011-014-XXX Serial port Control Signal/Loopback test failure	System board
011-015-XXX Serial port External Loopback failure	<ol style="list-style-type: none"> Wrap plug System board
011-027-XXX Serial port Configuration/Setup error	<ol style="list-style-type: none"> Run Setup, enable port Flash the system. See "Updating (flashing) BIOS from a disc" on page 278 System board
011-03X-XXX 011-04X-XXX Serial port failure	System board
011-195-XXX Serial port Test aborted by user	Information only Re-start the test, if necessary
011-196-XXX Serial port test halt, error threshold exceeded	<ol style="list-style-type: none"> Press F3 to review the log file Re-start the test to reset the log file
011-197-XXX Serial port test warning	<ol style="list-style-type: none"> Make sure the component that is called out is connected and/or enabled. See Chapter 6, "Using the Setup Utility program," on page 51 Re-run test Replace the component that is called out in warning statement Replace the component under test
011-198-XXX Serial port test aborted	<ol style="list-style-type: none"> If a component is called out, make sure it is connected and/or enabled. See Chapter 6, "Using the Setup Utility program," on page 51 Flash the system and re-test. See "Updating (flashing) BIOS from a disc" on page 278 Go to "Undetermined problems" on page 81
011-199-XXX Serial port test failed, cause unknown	<ol style="list-style-type: none"> Go to "Undetermined problems" on page 81 Flash the system and re-test. See "Updating (flashing) BIOS from a disc" on page 278 Replace component under function test
011-2XX-XXX Serial port signal failure	<ol style="list-style-type: none"> External serial device System board
014-000-XXX Parallel port Interface Test Passed	No action

Diagnostic error code	FRU/Action
014-001-XXX Parallel port Presence	<ol style="list-style-type: none"> 1. Remove external parallel device, if present 2. Run setup, enable port 3. System board
014-002-XXX 014-003-XXX Parallel port Timeout/Parity error	System board
014-013-XXX 014-014-XXX Parallel port Control Signal/Loopback test failure	System board
014-015-XXX Parallel port External Loopback failure	<ol style="list-style-type: none"> 1. Wrap plug 2. System board
014-027-XXX Parallel port Configuration/Setup error	<ol style="list-style-type: none"> 1. Run Setup, enable port 2. Flash the system. See “Updating (flashing) BIOS from a disc” on page 278 3. System board
014-03X-XXX 014-04X-XXX Parallel port failure	System board
014-195-XXX Parallel port Test aborted by user	Information only Re-start the test, if necessary
014-196-XXX Parallel port test halt, error threshold exceeded	<ol style="list-style-type: none"> 1. Press F3 to review the log file 2. Re-start the test to reset the log file
014-197-XXX Parallel port test warning	<ol style="list-style-type: none"> 1. Make sure the component that is called out is connected and/or enabled. See Chapter 6, “Using the Setup Utility program,” on page 51 2. Re-run test 3. Replace the component that is called out in warning statement 4. Replace the component under test
014-198-XXX Parallel port test aborted	<ol style="list-style-type: none"> 1. If a component is called out, make sure it is connected and/or enabled 2. Flash the system and re-test. See “Updating (flashing) BIOS from a disc” on page 278 3. Go to “Undetermined problems” on page 81
014-199-XXX Parallel port test failed, cause unknown	<ol style="list-style-type: none"> 1. Go to “Undetermined problems” on page 81 2. Flash the system and re-test. See “Updating (flashing) BIOS from a disc” on page 278 3. Replace component under function test
014-2XX-XXX 014-3XX-XXX Parallel port failure	<ol style="list-style-type: none"> 1. External parallel device 2. System board

Diagnostic error code	FRU/Action
015-000-XXX USB (Universal Serial Bus) port Interface Test Passed	No action
015-001-XXX USB port Presence	<ol style="list-style-type: none"> 1. Remove USB device(s) and re-test 2. System board
015-002-XXX USB port Timeout	<ol style="list-style-type: none"> 1. Remove USB device(s) and re-test 2. System board
015-015-XXX USB port External Loopback failure	<ol style="list-style-type: none"> 1. Remove USB device(s) and re-test 2. System board
015-027-XXX USB port Configuration/Setup error	<ol style="list-style-type: none"> 1. Flash the system. See “Updating (flashing) BIOS from a disc” on page 278 2. System board
015-032-XXX USB port Device Controller failure	System board
015-034-XXX USB port buffer allocation failure	<ol style="list-style-type: none"> 1. Reboot the system 2. Flash the system and re-test. See “Updating (flashing) BIOS from a disc” on page 278 3. Run memory test 4. System board
015-035-XXX USB port Reset condition detected	<ol style="list-style-type: none"> 1. Remove USB device(s) and re-test 2. System board
015-036-XXX USB port Register error	System board
015-040-XXX USB port IRQ failure	<ol style="list-style-type: none"> 1. Run setup and check for conflicts 2. Flash the system. See “Updating (flashing) BIOS from a disc” on page 278 3. System board
015-195-XXX USB port Test aborted by user	Information only Re-start the test, if necessary
015-196-XXX USB port test halt, error threshold exceeded	<ol style="list-style-type: none"> 1. Press F3 to review the log file 2. Re-start the test to reset the log file
015-197-XXX USB port test warning	<ol style="list-style-type: none"> 1. Make sure the component that is called out is connected and/or enabled. See Chapter 6, “Using the Setup Utility program,” on page 51 2. Re-run test 3. Replace the component that is called out in warning statement 4. Replace the component under test

Diagnostic error code	FRU/Action
015-198-XXX USB port test aborted	<ol style="list-style-type: none"> 1. If a component is called out, make sure it is connected and/or enabled. See Chapter 6, "Using the Setup Utility program," on page 51 2. Flash the system and re-test. See "Updating (flashing) BIOS from a disc" on page 278 3. Go to "Undetermined problems" on page 81
015-199-XXX USB port test failed, cause unknown	<ol style="list-style-type: none"> 1. Go to "Undetermined problems" on page 81 2. Flash the system and re-test. See "Updating (flashing) BIOS from a disc" on page 278 3. Replace component under function test
018-000-XXX PCI (Peripheral Component Interconnect) Card Test Passed	No action
018-0XX-XXX PCI Card Failure	<ol style="list-style-type: none"> 1. Riser card, if installed 2. System board
018-195-XXX PCI Card Test aborted by user	<ol style="list-style-type: none"> 1. PCI card 2. Information only Re-start the test, if necessary
018-196-XXX PCI Card test halt, error threshold exceeded	<ol style="list-style-type: none"> 1. Press F3 to review the log file 2. Re-start the test to reset the log file
018-197-XXX PCI Card test warning	<ol style="list-style-type: none"> 1. Make sure the component that is called out is connected and/or enabled. See Chapter 6, "Using the Setup Utility program," on page 51 2. Re-run test 3. Replace the component that is called out in warning statement 4. Replace the component under test
018-198-XXX PCI Card test aborted	<ol style="list-style-type: none"> 1. If a component is called out, make sure it is connected and/or enabled. See Chapter 6, "Using the Setup Utility program," on page 51 2. Flash the system and re-test. See "Updating (flashing) BIOS from a disc" on page 278 3. Go to "Undetermined problems" on page 81
018-199-XXX PCI Card test failed, cause unknown	<ol style="list-style-type: none"> 1. Go to "Undetermined problems" on page 81 2. Flash the system and re-test. See "Updating (flashing) BIOS from a disc" on page 278 3. Replace component under function test

Diagnostic error code	FRU/Action
018-250-XXX PCI Card Services error	<ol style="list-style-type: none"> 1. PCI card 2. Riser card, if installed 3. System board
020-000-XXX PCI Interface Test Passed	No action
020-0XX-XXX PCI Interface error	<ol style="list-style-type: none"> 1. PCI card 2. Riser card, if installed 3. System board
020-195-XXX PCI Test aborted by user	Information only Re-start the test, if necessary
020-196-XXX PCI test halt, error threshold exceeded	<ol style="list-style-type: none"> 1. Press F3 to review the log file 2. Re-start the test to reset the log file
020-197-XXX PCI test warning	<ol style="list-style-type: none"> 1. Make sure the component that is called out is connected and/or enabled. See Chapter 6, "Using the Setup Utility program," on page 51 2. Re-run test 3. Replace the component that is called out in warning statement 4. Replace the component under test
020-198-XXX PCI test aborted	<ol style="list-style-type: none"> 1. If a component is called out, make sure it is connected and/or enabled. See Chapter 6, "Using the Setup Utility program," on page 51 2. Flash the system and re-test. See "Updating (flashing) BIOS from a disc" on page 278 3. Go to "Undetermined problems" on page 81
020-199-XXX PCI test failed, cause unknown	<ol style="list-style-type: none"> 1. Go to "Undetermined problems" on page 81 2. Flash the system and re-test. See "Updating (flashing) BIOS from a disc" on page 278 3. Replace component under function test
020-262-XXX PCI system error	<ol style="list-style-type: none"> 1. PCI card 2. Riser card, if installed 3. System board
025-000-XXX IDE interface Test Passed	No action
025-00X-XXX 025-01X-XXX IDE interface failure	<ol style="list-style-type: none"> 1. IDE signal cable 2. Check power supply voltages 3. Reseat IDE signal cable 4. IDE device 5. System board

Diagnostic error code	FRU/Action
025-027-XXX IDE interface Configuration/Setup error	<ol style="list-style-type: none"> 1. IDE signal cable 2. Flash the system. See "Updating (flashing) BIOS from a disc" on page 278 3. Reseat IDE signal cable 4. IDE device 5. System board
025-02X-XXX 025-03X-XXX 025-04X-XXX IDE Interface failure	<ol style="list-style-type: none"> 1. IDE signal cable 2. Check power supply 3. Reseat IDE signal cable 4. IDE device 5. System board
025-195-XXX IDE interface Test aborted by user	Information only Re-start the test, if necessary
025-196-XXX IDE interface test halt, error threshold exceeded	<ol style="list-style-type: none"> 1. Press F3 to review the log file 2. Re-start the test to reset the log file
025-197-XXX IDE interface test warning	<ol style="list-style-type: none"> 1. Make sure the component that is called out is connected and/or enabled. See Chapter 6, "Using the Setup Utility program," on page 51 2. Re-run test 3. Replace the component that is called out in warning statement 4. Replace the component under test
025-198-XXX IDE interface test aborted	<ol style="list-style-type: none"> 1. If a component is called out, make sure it is connected and/or enabled. See Chapter 6, "Using the Setup Utility program," on page 51 2. Flash the system and re-test. See "Updating (flashing) BIOS from a disc" on page 278 3. Go to "Undetermined problems" on page 81
025-199-XXX IDE interface test failed, cause unknown	<ol style="list-style-type: none"> 1. Go to "Undetermined problems" on page 81 2. Flash the system and re-test. See "Updating (flashing) BIOS from a disc" on page 278 3. Replace component under function test
030-000-XXX SCSI interface Test Passed	No action
030-00X-XXX 030-01X-XXX SCSI interface failure	<ol style="list-style-type: none"> 1. SCSI signal cable 2. Check power supply 3. SCSI device 4. SCSI adapter card, if installed 5. System board

Diagnostic error code	FRU/Action
030-027-XXX SCSI interface Configuration/Setup error	<ol style="list-style-type: none"> 1. SCSI signal cable 2. Flash the system. See "Updating (flashing) BIOS from a disc" on page 278 3. SCSI device 4. SCSI adapter card, if installed 5. System board
030-03X-XXX 030-04X-XXX SCSI interface error	<ol style="list-style-type: none"> 1. SCSI signal cable 2. Check power supply 3. SCSI device 4. SCSI adapter card, if installed 5. System board
030-195-XXX SCSI interface Test aborted by user	Information only Re-start the test, if necessary
030-196-XXX SCSI interface test halt, error threshold exceeded	<ol style="list-style-type: none"> 1. Press F3 to review the log file 2. Re-start the test to reset the log file
030-197-XXX SCSI interface test warning	<ol style="list-style-type: none"> 1. Make sure the component that is called out is connected and/or enabled. See Chapter 6, "Using the Setup Utility program," on page 51 2. Re-run test 3. Replace the component that is called out in warning statement 4. Replace the component under test
030-198-XXX SCSI interface test aborted	<ol style="list-style-type: none"> 1. If a component is called out, make sure it is connected and/or enabled. See Chapter 6, "Using the Setup Utility program," on page 51 2. Flash the system and re-test. See "Updating (flashing) BIOS from a disc" on page 278 3. Go to "Undetermined problems" on page 81
030-199-XXX SCSI interface test failed, cause unknown	<ol style="list-style-type: none"> 1. Go to "Undetermined problems" on page 81 2. Flash the system and re-test. See "Updating (flashing) BIOS from a disc" on page 278 3. Replace component under function test
035-000-XXX RAID interface Test Passed	No action
035-0XX-XXX RAID interface Failure	<ol style="list-style-type: none"> 1. RAID signal cable 2. RAID device 3. RAID adapter card, if installed 4. System board
035-195-XXX RAID interface Test aborted by user	Information only Re-start the test, if necessary

Diagnostic error code	FRU/Action
035-196-XXX RAID interface test halt, error threshold exceeded	<ol style="list-style-type: none"> 1. Press F3 to review the log file 2. Re-start the test to reset the log file
035-197-XXX RAID interface test warning	<ol style="list-style-type: none"> 1. Make sure the component that is called out is connected and/or enabled. See Chapter 6, "Using the Setup Utility program," on page 51 2. Re-run test 3. Replace the component that is called out in warning statement 4. Replace the component under test
035-198-XXX RAID interface test aborted	<ol style="list-style-type: none"> 1. If a component is called out, make sure it is connected and/or enabled. See Chapter 6, "Using the Setup Utility program," on page 51 2. Flash the system and re-test. See "Updating (flashing) BIOS from a disc" on page 278 3. Go to "Undetermined problems" on page 81
035-199-XXX RAID interface test failed, cause unknown	<ol style="list-style-type: none"> 1. See "Undetermined problems" on page 81 2. Flash the system and re-test. See "Updating (flashing) BIOS from a disc" on page 278 3. Replace component under function test
071-000-XXX Audio port Interface Test Passed	No action
071-00X-XXX 071-01X-XXX 071-02X-XXX Audio port error	<ol style="list-style-type: none"> 1. Run Setup 2. Flash the system. See "Updating (flashing) BIOS from a disc" on page 278 3. System board
071-03X-XXX Audio port failure	<ol style="list-style-type: none"> 1. Speakers 2. Microphone 3. Audio card, if installed 4. System board
071-04X-XXX Audio port failure	<ol style="list-style-type: none"> 1. Run Setup 2. Audio card, if installed 3. System board
071-195-XXX Audio port Test aborted by user	Information only Re-start the test, if necessary
071-196-XXX Audio port test halt, error threshold exceeded	<ol style="list-style-type: none"> 1. Press F3 to review the log file 2. Re-start the test to reset the log file

Diagnostic error code	FRU/Action
071-197-XXX Audio port test warning	<ol style="list-style-type: none"> 1. Make sure the component that is called out is connected and/or enabled. See Chapter 6, "Using the Setup Utility program," on page 51 2. Re-run test 3. Replace the component that is called out in warning statement 4. Replace the component under test
071-198-XXX Audio port test aborted	<ol style="list-style-type: none"> 1. If a component is called out, make sure it is connected and/or enabled. See Chapter 6, "Using the Setup Utility program," on page 51 2. Flash the system and re-test. See "Updating (flashing) BIOS from a disc" on page 278 3. Go to "Undetermined problems" on page 81
071-199-XXX Audio port test failed, cause unknown	<ol style="list-style-type: none"> 1. See "Undetermined problems" on page 81 2. Flash the system and re-test. See "Updating (flashing) BIOS from a disc" on page 278 3. Replace component under function test
071-25X-XXX Audio port failure	<ol style="list-style-type: none"> 1. Speakers 2. Audio card, if installed 3. System board
080-000-XXX Game Port interface Test Passed	No action
080-XXX-XXX Game Port interface Error	<ol style="list-style-type: none"> 1. Remove the game port device and re-test the system
080-195-XXX Game Port interface Test aborted by user	Information only Re-start the test, if necessary
080-196-XXX Game Port interface test halt, error threshold exceeded	<ol style="list-style-type: none"> 1. Press F3 to review the log file 2. Re-start the test to reset the log file
080-197-XXX Game Port interface test warning	<ol style="list-style-type: none"> 1. Make sure the component that is called out is connected and/or enabled. See Chapter 6, "Using the Setup Utility program," on page 51 2. Re-run test 3. Replace the component that is called out in warning statement 4. Replace the component under test

Diagnostic error code	FRU/Action
080-198-XXX Game Port interface test aborted	<ol style="list-style-type: none"> 1. If a component is called out, make sure it is connected and/or enabled. See Chapter 6, "Using the Setup Utility program," on page 51 2. Flash the system and re-test. See "Updating (flashing) BIOS from a disc" on page 278 3. Go to "Undetermined problems" on page 81
080-199-XXX Game Port interface test failed, cause unknown	<ol style="list-style-type: none"> 1. See "Undetermined problems" on page 81 2. Flash the system and re-test. See "Updating (flashing) BIOS from a disc" on page 278 3. Replace component under function test
086-000-XXX Mouse Port interface Test Passed	No action
086-001-XXX Mouse Port interface Presence	<ol style="list-style-type: none"> 1. Mouse 2. System board
086-032-XXX Mouse Port interface Device controller failure	<ol style="list-style-type: none"> 1. Mouse 2. System board
086-035-XXX Mouse Port interface Reset	<ol style="list-style-type: none"> 1. Mouse 2. System board
086-040-XXX Mouse Port interface IRQ failure	<ol style="list-style-type: none"> 1. Run Setup 2. Mouse 3. System board
086-195-XXX Mouse Port interface Test aborted by user	Information only Re-start the test, if necessary
086-196-XXX Mouse Port interface test halt, error threshold exceeded	<ol style="list-style-type: none"> 1. Press F3 to review the log file 2. Re-start the test to reset the log file
086-197-XXX Mouse Port interface test warning	<ol style="list-style-type: none"> 1. Make sure the component that is called out is connected and/or enabled. See Chapter 6, "Using the Setup Utility program," on page 51 2. Re-run test 3. Replace the component that is called out in warning statement 4. Replace the component under test
086-198-XXX Mouse Port interface test aborted	<ol style="list-style-type: none"> 1. If a component is called out, make sure it is connected and/or enabled. See Chapter 6, "Using the Setup Utility program," on page 51 2. Flash the system and re-test. See "Updating (flashing) BIOS from a disc" on page 278 3. Go to "Undetermined problems" on page 81

Diagnostic error code	FRU/Action
086-199-XXX Mouse Port interface test failed, cause unknown	<ol style="list-style-type: none"> 1. See "Undetermined problems" on page 81 2. Flash the system and re-test. See "Updating (flashing) BIOS from a disc" on page 278 3. Replace component under function test
089-000-XXX Microprocessor Test Passed	No action
089-XXX-XXX Microprocessor failure	<ol style="list-style-type: none"> 1. Microprocessor(s) 2. System board
089-195-XXX Microprocessor Test aborted by user	Information only Re-start the test, if necessary
089-196-XXX Microprocessor test halt, error threshold exceeded	<ol style="list-style-type: none"> 1. Press F3 to review the log file 2. Re-start the test to reset the log file
089-197-XXX Microprocessor test warning	<ol style="list-style-type: none"> 1. Make sure the component that is called out is connected and/or enabled. See Chapter 6, "Using the Setup Utility program," on page 51 2. Re-run test 3. Replace the component that is called out in warning statement 4. Replace the component under test
089-198-XXX Microprocessor test aborted	<ol style="list-style-type: none"> 1. Flash the system. See "Updating (flashing) BIOS from a disc" on page 278 2. Go to "Undetermined problems" on page 81
089-199-XXX Microprocessor test failed, cause unknown	<ol style="list-style-type: none"> 1. See "Undetermined problems" on page 81 2. Flash the system and re-test. See "Updating (flashing) BIOS from a disc" on page 278 3. Replace component under function test
170-000-XXX Voltage Sensor(s) Test Passed	No action
170-0XX-XXX Voltage Sensor(s) failure	<ol style="list-style-type: none"> 1. Flash system 2. System board
170-195-XXX Voltage Sensor(s) Test aborted by user	Information only Re-start the test, if necessary
170-196-XXX Voltage Sensor(s) test halt, error threshold exceeded	<ol style="list-style-type: none"> 1. Press F3 to review the log file 2. Re-start the test to reset the log file

Diagnostic error code	FRU/Action
170-197-XXX Voltage Sensor(s) test warning	<ol style="list-style-type: none"> 1. Make sure the component that is called out is connected and/or enabled. See Chapter 6, "Using the Setup Utility program," on page 51 2. Re-run test 3. Replace the component that is called out in warning statement 4. Replace the component under test
170-198-XXX Voltage Sensor(s) test aborted	<ol style="list-style-type: none"> 1. If a component is called out, make sure it is connected and/or enabled. See Chapter 6, "Using the Setup Utility program," on page 51 2. Flash the system and re-test. See "Updating (flashing) BIOS from a disc" on page 278 3. Go to "Undetermined problems" on page 81
170-199-XXX Voltage Sensor(s) test failed, cause unknown	<ol style="list-style-type: none"> 1. See "Undetermined problems" on page 81 2. Flash the system and re-test. See "Updating (flashing) BIOS from a disc" on page 278 3. Replace component under function test
170-250-XXX 170-251-XXX Voltage Sensor(s) Voltage limit error	<ol style="list-style-type: none"> 1. Power supply 2. System board
170-254-XXX Voltage Sensor(s) Voltage Regulator Module error	<ol style="list-style-type: none"> 1. Voltage Regulator Module (VRM) 2. Microprocessor 3. System board
175-000-XXX Thermal Sensor(s) Test Passed	No action
175-0XX-XXX Thermal Sensor(s) failure	<ol style="list-style-type: none"> 1. Flash system 2. System board
175-195-XXX Thermal Sensor(s) Test aborted by user	Information only Re-start the test, if necessary
175-196-XXX Thermal Sensor(s) test halt, error threshold exceeded	<ol style="list-style-type: none"> 1. Press F3 to review the log file 2. Re-start the test to reset the log file
175-197-XXX Thermal Sensor(s) test warning	<ol style="list-style-type: none"> 1. Make sure the component that is called out is connected and/or enabled. See Chapter 6, "Using the Setup Utility program," on page 51 2. Re-run test 3. Replace the component that is called out in warning statement 4. Replace the component under test

Diagnostic error code	FRU/Action
175-198-XXX Thermal Sensor(s) test aborted	<ol style="list-style-type: none"> 1. If a component is called out, make sure it is connected and/or enabled 2. Flash the system and re-test. See "Updating (flashing) BIOS from a disc" on page 278 3. Go to "Undetermined problems" on page 81
175-199-XXX Thermal Sensor(s) test failed, cause unknown	<ol style="list-style-type: none"> 1. See "Undetermined problems" on page 81 2. Flash the system and re-test. See "Updating (flashing) BIOS from a disc" on page 278 3. Replace component under function test
175-250-XXX 175-251-XXX Thermal Sensor(s) limit error	<ol style="list-style-type: none"> 1. Check fans 2. Check Power supply voltages 3. Microprocessor 4. System board
185-000-XXX Asset Security Test Passed	No action
185-XXX-XXX Asset Security failure	<ol style="list-style-type: none"> 1. Flash system 2. System board
185-278-XXX Asset Security Chassis Intrusion	<ol style="list-style-type: none"> 1. Assure Asset Security Enabled 2. C2 Cover Switch 3. System board
201-000-XXX System Memory Test Passed	No action
201-XXX-XXX System Memory error	<ol style="list-style-type: none"> 1. Replace the memory module called out by the test 2. System board
202-000-XXX System Cache Test Passed	No action
202-XXX-XXX System Cache error	<ol style="list-style-type: none"> 1. Cache, if removable 2. System board 3. Microprocessor
206-000-XXX Diskette Drive Test Passed	No action
206-XXX-XXX Diskette Drive error	<ol style="list-style-type: none"> 1. Diskette Drive Cable 2. Check power supply voltages 3. Diskette drive 4. System board
215-000-XXX CD-ROM Drive Test Passed	No action

Diagnostic error code	FRU/Action
215-XXX-XXX CD-ROM Drive error	<ol style="list-style-type: none"> 1. CD-ROM Drive Cable 2. Check power supply voltages 3. CD-ROM drive 4. System board
217-000-XXX Hard Disk Drive Test Passed	No action
217-25X-XXX 217-26X-XXX Hard Disk Drive (IDE) error	<ol style="list-style-type: none"> 1. Hard Disk Drive Cable 2. Check power supply voltages 3. Reseat the hard disk drive cable 4. Hard Disk drive (IDE) 5. System board
217-28X-XXX 217-29X-XXX Hard Disk Drive (SCSI) error	<ol style="list-style-type: none"> 1. Hard Disk Drive Cable 2. Check power supply voltages 3. Reseat the hard disk drive cable 4. Hard Disk drive (SCSI) 5. SCSI adapter card 6. System board
220-000-XXX Hi-Capacity Cartridge Drive Test Passed	No action
220-XXX-XXX Hi-Capacity Cartridge Drive error	<ol style="list-style-type: none"> 1. Remove the Hi-Capacity Cartridge Drive and re-test the system
301-XXX-XXX Keyboard error	<ol style="list-style-type: none"> 1. Keyboard 2. Check and test mouse 3. System board
301-000-XXX Keyboard Test Passed	No action
302-000-XXX Mouse Test Passed	No action
302-XXX-XXX Mouse error	<ol style="list-style-type: none"> 1. Mouse 2. Check and test Keyboard 3. System board
303-000-XXX Joystick Test Passed	No action
303-XXX-XXX Joystick error	Remove the Joystick and re-test the system
305-000-XXX Monitor DDC Test Passed	No action
305-250-XXX Monitor DDC self test failure	<ol style="list-style-type: none"> 1. Run Setup to enable DDC 2. Cable 3. Monitor 4. Video card 5. System board
415-000-XXX Modem Test Passed	No action

Diagnostic error code	FRU/Action
415-XXX-XXX Modem error	Remove the Modem and re-test the system

Beep symptoms

Beep symptoms are tones or a series of tones separated by pauses (intervals without sound) during POST.

The following tables describes beep symptoms.

Beep symptom	FRU/Action
2 short beeps CMOS setting error	Perform the following actions in order. <ol style="list-style-type: none"> 1. Start the Setup Utility program and press F10 to Save and exit. See Chapter 6, "Using the Setup Utility program," on page 51. 2. Start the Setup Utility program and press F7 to load defaults and then press F10 to Save and exit. 3. Perform a Boot-block recovery. See "Recovering from a POST/BIOS update failure" on page 278.
1 long and 2 short beeps Monitor or video adapter card error	Perform the following actions in order. <ol style="list-style-type: none"> 1. Make sure the monitor is properly connected to the computer. 2. Replace the video adapter card (if present). 3. Replace the system board.
1 long and 3 short beeps Keyboard error	Perform the following actions in order. <ol style="list-style-type: none"> 1. Make sure the keyboard is properly connected to the keyboard connector. 2. Replace the keyboard. 3. Replace the system board.
1 long and 9 short beeps BIOS ROM error	Perform the following actions in order. <ol style="list-style-type: none"> 1. Start the Setup Utility program and press F7 to load defaults and then press F10 to Save and exit. See Chapter 6, "Using the Setup Utility program," on page 51. 2. Perform a Boot-block recovery. See "Recovering from a POST/BIOS update failure" on page 278. 3. Replace the system board.
Continuos long beeps DRAM memory error	Perform the following actions in order. <ol style="list-style-type: none"> 1. Make sure the memory module(s) are properly seated in the connector(s). 2. Replace the memory module(s). 3. Replace the system board.

POST error codes

Each time you power-on the system, it performs a series of tests that check the operation of the system and some options. This series of tests is called the *Power-On Self-Test*, or *POST*. POST does the following operations.

- Checks some basic system-board operations
- Checks the memory operation
- Starts the video operation
- Verifies that the boot drive is working

If the POST detects a problem, an error message appears on the screen. A single problem can cause several error messages to appear. When you correct the cause of the first error message, the other error messages probably will not appear on the screen the next time you turn on the system.

POST error message	Description/Action
CMOS battery failed	The CMOS battery is no longer functional. Replace the battery.
CMOS checksum error - defaults loaded	Checksum of CMOS is incorrect. The computer loads the default configuration settings. This error might indicate that CMOS has become corrupt due to a weak CMOS battery.
CPU at nnnn	nnnn is the running speed of the microprocessor.
Press Esc to skip memory test	Pressing Esc skips the full memory test
HARD DISK INSTALL FAILURE	Cannot find or initialize the hard disk drive controller or the drive. Make sure the hard disk drive is correctly installed. If no hard disk drives are installed, make sure the hard disk drive selection in Setup is set to NONE.
Keyboard error or no keyboard present	Cannot initialize the keyboard. Make sure the keyboard is properly connected to the computer and that no keys are held pressed during POST. To purposely configure the computer without a keyboard, set the error halt condition in Setup to HALT ON ALL, BUT KEYBOARD. The BIOS then ignores the missing keyboard during POST.
Memory Test:	This message displays during a full memory test, counting down the memory areas being tested.
Memory test fail	If POST detects an error during memory testing, additional information appears. This information gives specifics about the type and location of the memory error.

POST error message	Description/Action
Press TAB to show POST screen	Pressing the TAB key permits the user to toggle between the default POST display screen and a custom POST display screen.
Error: Non-System disk or disk error Replace and press any key when ready	<p>The BIOS was unable to find a suitable boot device.</p> <p>Make sure the boot drive is properly connected to the computer.</p> <p>Make sure you have bootable media.</p>

Miscellaneous error messages

Message/Symptom	FRU/Action
Changing display colors	Display/Monitor
Computer will <i>not</i> power-off. See "Power supply problems" on page 55.	<ol style="list-style-type: none"> Power Switch System Board Riser card, if installed
Computer will <i>not</i> RPL from server	<ol style="list-style-type: none"> Ensure that network is in startup sequence as first device or first device after diskette Ensure that network adapter is enabled for RPL Network adapter (Advise network administrator of new MAC address)
Computer will <i>not</i> perform a Wake on LAN (if applicable)	<ol style="list-style-type: none"> Check power supply and signal cable connections to network adapter Ensure that the operating system settings are set to enable Wake on LAN Ensure Wake on LAN feature is enabled in Setup/Configuration (see "Starting the Setup Utility program" on page 51) Ensure network administrator is using correct MAC address Ensure no interrupt or I/O address conflicts Network adapter (advise network administrator of new MAC address)
Dead computer. See "Power supply problems" on page 55.	<ol style="list-style-type: none"> Power Supply System Board
Diskette drive in-use light remains on or does not light when drive is active.	<ol style="list-style-type: none"> Diskette Drive System Board Diskette Drive Cable
Flashing cursor with an otherwise blank display.	<ol style="list-style-type: none"> System Board Primary Hard Disk Drive Hard Disk Drive Cable
Incorrect memory size during POST	<ol style="list-style-type: none"> Run the Memory tests Memory Module System Board
"Insert a Diskette" icon appears with a known-good diagnostics diskette in the first 3.5-inch diskette drive.	<ol style="list-style-type: none"> System Board Diskette Drive Cable Network Adapter
Intensity or color varies from left to right of characters and color bars	<ol style="list-style-type: none"> Display Video adapter (if present) System Board
No power or fan not running	<ol style="list-style-type: none"> See "Power supply problems" on page 55.

Message/Symptom	FRU/Action
Non-system disk or disk error-type message with a known-good diagnostic diskette.	<ol style="list-style-type: none"> 1. Diskette Drive 2. System Board 3. Diskette Drive Cable
Other display symptoms not listed above (including blank or illegible display)	<ol style="list-style-type: none"> 1. Display 2. System Board
Power-on indicator or hard disk drive in-use light not on, but computer works correctly	<ol style="list-style-type: none"> 1. Power switch/LED assembly 2. System Board
Printer problems	<ol style="list-style-type: none"> 1. Printer 2. System Board
Program loads from the hard disk with a known-good diagnostics diskette in the first 3.5-inch diskette drive	<ol style="list-style-type: none"> 1. Run Setup and check Startup sequence. 2. Diskette Drive 3. Diskette Drive Cable 4. System Board 5. Power Supply
RPL computer cannot access programs from its own hard disk.	<ol style="list-style-type: none"> 1. If network administrator is using LCCM Hybrid RPL, check startup sequence: <ol style="list-style-type: none"> a. First device - network b. Second device - hard disk 2. Hard disk drive
RPL computer does not RPL from server	<ol style="list-style-type: none"> 1. Check startup sequence 2. Check the network adapter LED status
Serial or parallel port device failure (system board port)	<ol style="list-style-type: none"> 1. External Device Self-Test OK? 2. External Device 3. Cable 4. System Board
Serial or parallel port device failure (adapter port)	<ol style="list-style-type: none"> 1. External Device Self-Test OK? 2. External Device 3. Cable 4. Alternate Adapter 5. System Board
Some or all keys on the keyboard do not work	<ol style="list-style-type: none"> 1. Keyboard 2. Keyboard Cable 3. System Board

Undetermined problems

If this computer has a parallel ATA hard disk drive, make sure that the hard disk drive is jumpered as a master and the optical drive is jumpered as a slave.

1. Power-off the computer.
2. Remove or disconnect the following components (if installed) one at a time.
 - a. External devices (modem, printer, or mouse)
 - b. Any adapters

- c. Memory modules
 - d. Extended video memory
 - e. External Cache
 - f. External Cache RAM
 - g. Hard disk drive
 - h. Diskette drive
3. Power-on the computer to re-test the system.
 4. Repeat steps 1 through 3 until you find the failing device or adapter.

If all devices and adapters have been removed, and the problem continues, replace the system board.

Chapter 8. Replacing FRUs (Machine types: 7515, 7523, 7569, and 7611.)

Important

Be sure to read and understand the Chapter 2, "Safety information," on page 3 before replacing any FRU. These precautions and guidelines will help you work safely.

FRU replacements are to be done only by trained service technicians.

This chapter does not contain the install, remove or replace procedure for all FRUs. Only the major FRUs are documented.

Locating connectors on the front of your computer

Figure 1 shows the locations of the connectors on the front of your computer.

Note: Not all computer models have the following connectors.

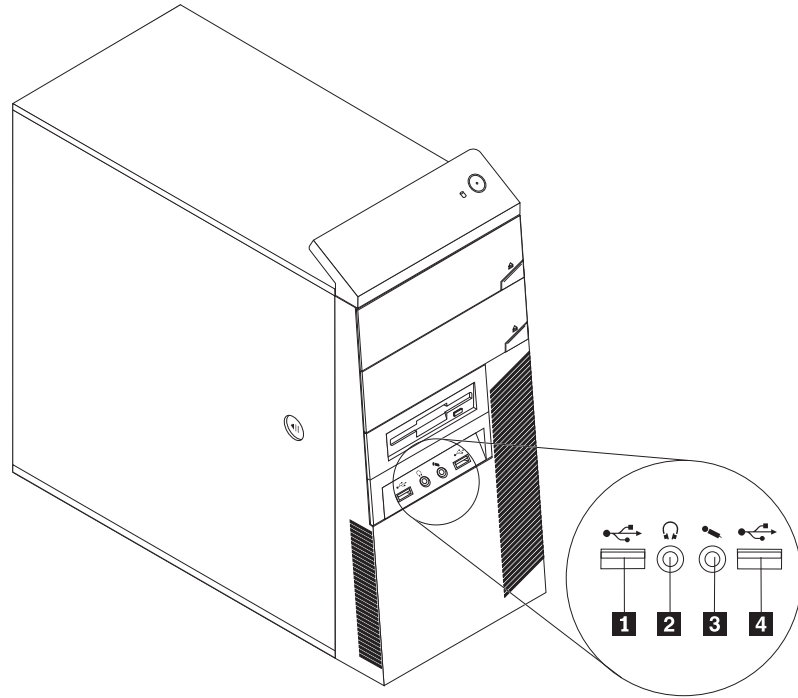


Figure 1. Front connector locations

- | | |
|------------------------------|-------------------------------|
| 1 USB connector | 3 Microphone connector |
| 2 Headphone connector | 4 USB connector |

Locating connectors on the rear of your computer

Figure 2 shows the locations of the connectors on the rear of your computer. Some connectors on the rear of your computer are color-coded to help you determine where to connect the cables on your computer.

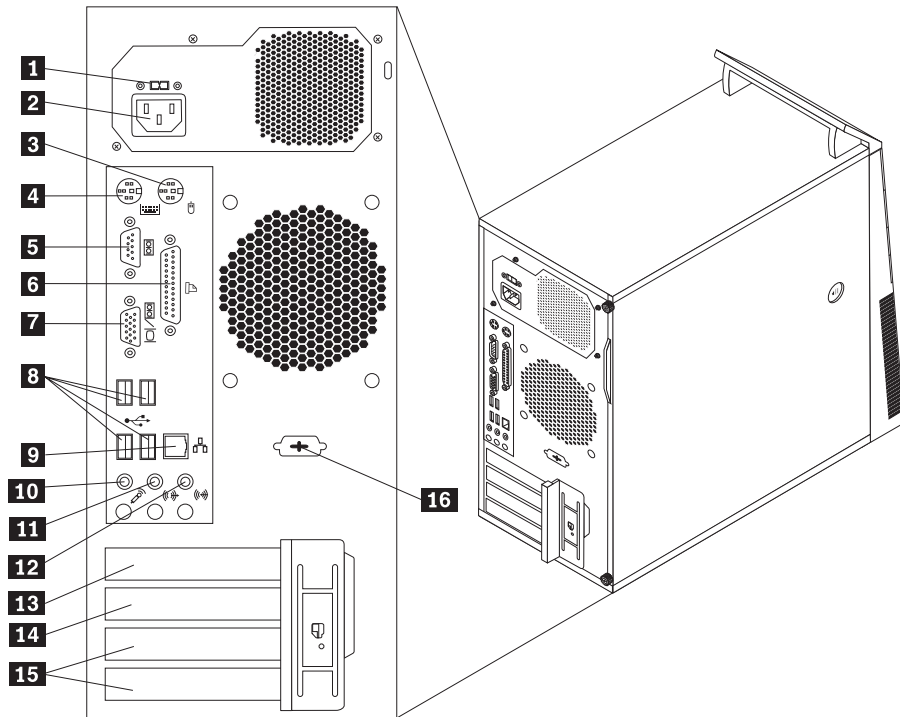


Figure 2. Rear connector locations

- | | |
|---|--|
| 1 Voltage-selection switch (some models) | 9 Ethernet connector |
| 2 Power cord connector | 10 Microphone connector |
| 3 Standard mouse connector | 11 Audio line-out connector |
| 4 Standard keyboard connector | 12 Audio line-in connector |
| 5 Serial port | 13 PCI Express x16 graphics card slot |
| 6 Parallel port | 14 PCI Express x1 card slot |
| 7 Video Graphics Array (VGA) monitor connector | 15 PCI card slots (2) |
| 8 USB connectors (4) | 16 Serial port (some models) |

Removing the computer cover

This section provides instructions on how to remove the computer cover.

Attention

Do not open your computer or attempt any repair before reading and understanding the "Important safety information" in the *ThinkCentre Safety and Warranty Guide* that came with your computer. To obtain a copy of the *ThinkCentre Safety and Warranty Guide*, go to: <http://www.lenovo.com/support>

CAUTION:



Turn off the computer and wait three to five minutes to let the computer cool before removing the computer cover.

To remove the computer cover, do the following:

1. Remove any media from the drives, shut down your operating system, and turn off all attached devices and the computer.
2. Unplug all power cords from electrical outlets.
3. Disconnect the cables attached to the computer. This includes power cords, input/output (I/O) cables, and any other cables that are connected to the computer. See "Locating connectors on the front of your computer" on page 84 and "Locating connectors on the rear of your computer" on page 85.
4. Remove any locking devices, such as a cable lock that secures the computer cover.
5. If there are thumbscrews that secure the computer cover, remove them.

6. Press the cover-release button on the side of the computer cover and slide the computer cover to the rear to remove.

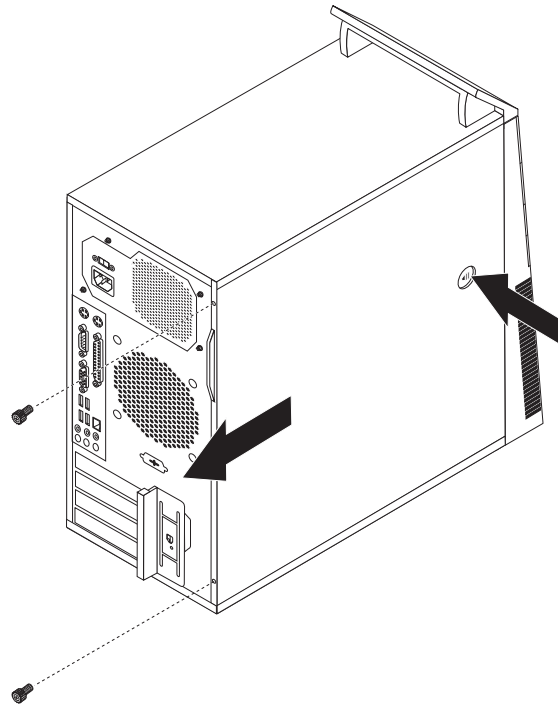


Figure 3. Removing the computer cover

Locating components

To remove the computer cover, see “Removing the computer cover” on page 86.

Figure 4 shows the locations of the various components in your computer.

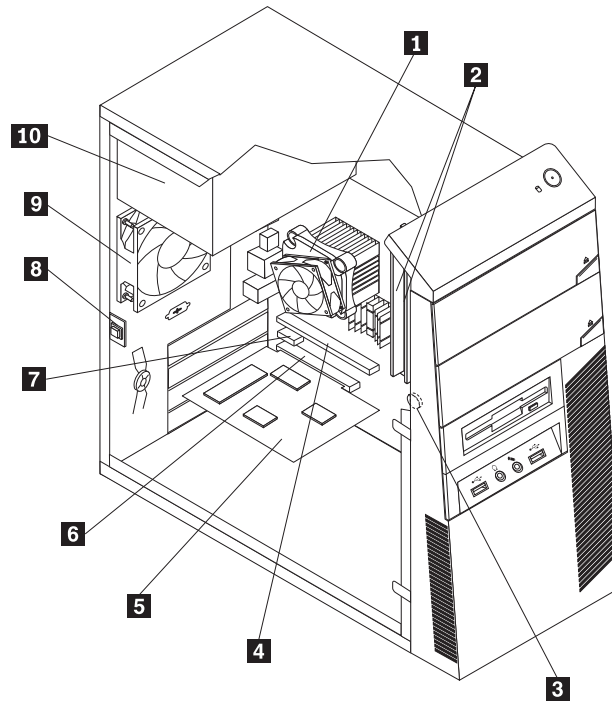


Figure 4. Component locations

- | | |
|---|---|
| 1 Heat sink and fan assembly | 6 PCI card slot |
| 2 Memory modules | 7 PCI Express x1 card slot |
| 3 Battery | 8 Cover presence switch (Intrusion switch) (some models) |
| 4 PCI Express x16 graphics card slot | 9 Rear fan assembly |
| 5 PCI card | 10 Power supply assembly |

Locating parts on the system board

Figure 5 shows the locations of the parts on the system board.

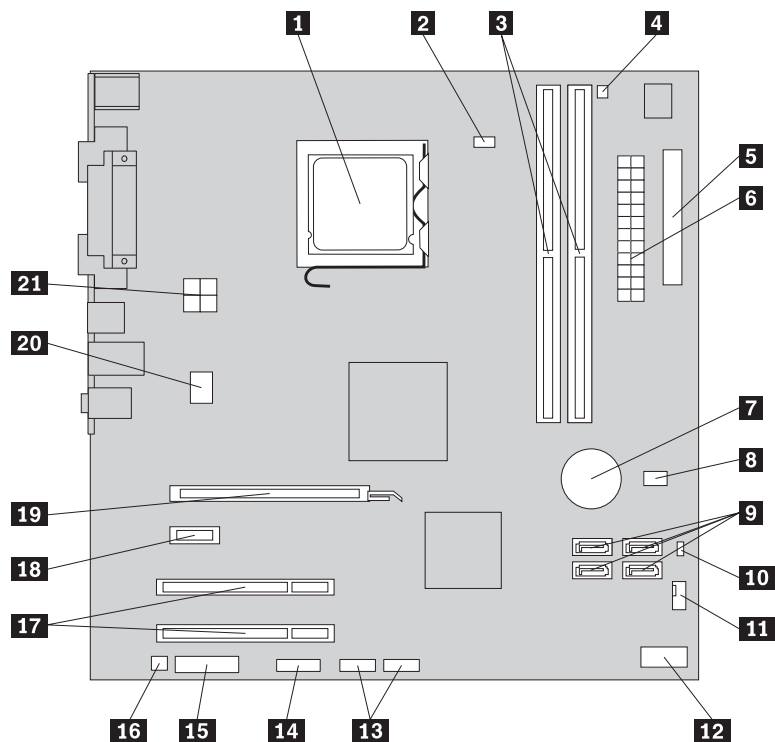


Figure 5. System board parts locations

- | | |
|--|--|
| 1 Microprocessor | 12 Front panel connector |
| 2 Microprocessor fan connector | 13 Front USB connectors (2) |
| 3 Memory slots (2) | 14 Serial (COM 2) connector |
| 4 Thermal sensor connector | 15 Front audio connector |
| 5 Diskette drive connector | 16 Internal speaker connector |
| 6 24-pin power connector | 17 PCI card slots (2) |
| 7 Battery | 18 PCI Express x1 card slot |
| 8 Cover presence (Intrusion) switch connector | 19 PCI Express x16 graphics card slot |
| 9 SATA connectors (4) | 20 System fan connector |
| 10 Clear CMOS (Complementary Metal Oxide Semiconductor)/Recovery jumper | 21 4-pin power connector |
| 11 Power fan connector | |

Removing and reinstalling the front bezel

This section provides instructions on how to remove and reinstall the front bezel.

To remove and reinstall the front bezel, do the following:

1. Remove the computer cover. See “Removing the computer cover” on page 86.

2. Release the three plastic tabs on the left side and pivot the front bezel outward to remove it.

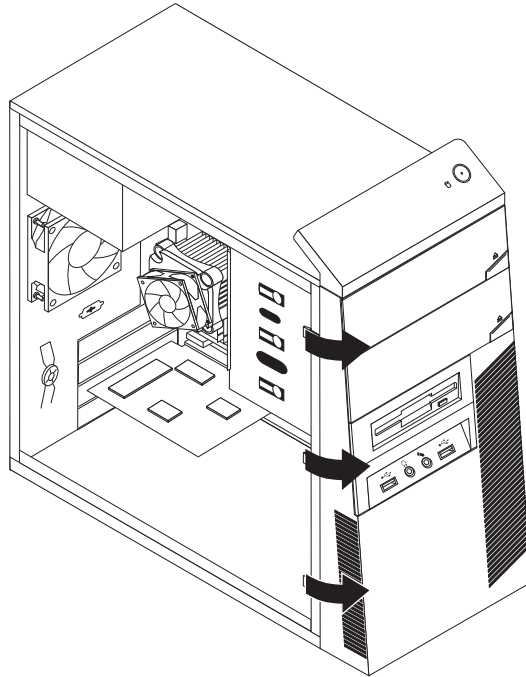


Figure 6. Removing the front bezel

3. To reinstall the front bezel, align the plastic tabs on the right side of the front bezel with the corresponding holes in the chassis, then pivot the front bezel inward until it snaps into position on the left side.
4. To complete the installation, go to “Completing the FRU replacement” on page 120.

Installing or replacing a memory module

Attention

Do not open your computer or attempt any repair before reading and understanding the “Important safety information” in the *ThinkCentre Safety and Warranty Guide* that came with your computer. To obtain a copy of the *ThinkCentre Safety and Warranty Guide*, go to: <http://www.lenovo.com/support>

This section provides instructions on how to install or replace a memory module.

Your computer has two slots for installing or replacing DDR2 DIMMs (double data rate 2 dual inline memory modules) that provide up to a maximum of 4 GB system memory.

When installing or replacing a memory module, use the following guidelines:

- Use 1.8 V, 240-pin, DDR2 DIMMs (double data rate 2 dual inline memory modules).
- Use 512 MB, 1 GB, or 2 GB memory modules in any combination up to a maximum of 4 GB.

Note: Only DDR2 SDRAM DIMMs can be used.

To install or replace a memory module, do the following:

1. Remove the computer cover. See “Removing the computer cover” on page 86.
2. Remove any parts that might prevent access to the memory slots.
3. Locate the memory slots. See “Locating parts on the system board” on page 89.
4. Open the retaining clips.

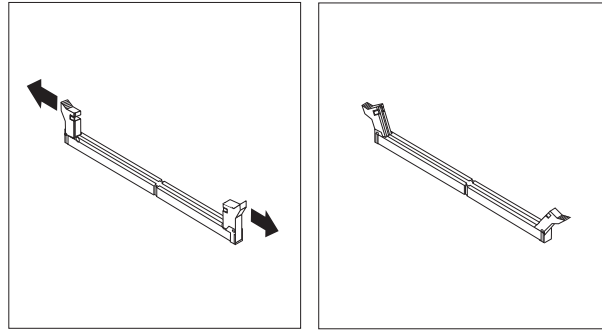


Figure 7. Opening the retaining clips

If you are replacing an old memory module, open the retaining clips and remove the memory module being replaced as shown.

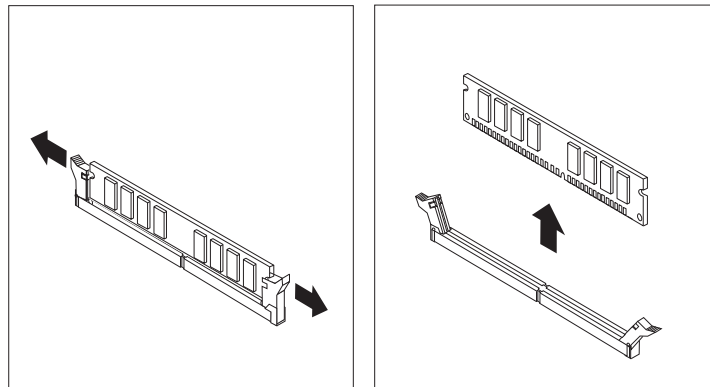


Figure 8. Removing the memory module

5. Position the memory module over the memory slot. Make sure that the notch **1** on the memory module aligns correctly with the slot key **2** on the system board. Push the memory module straight down into the slot until the retaining clips close.

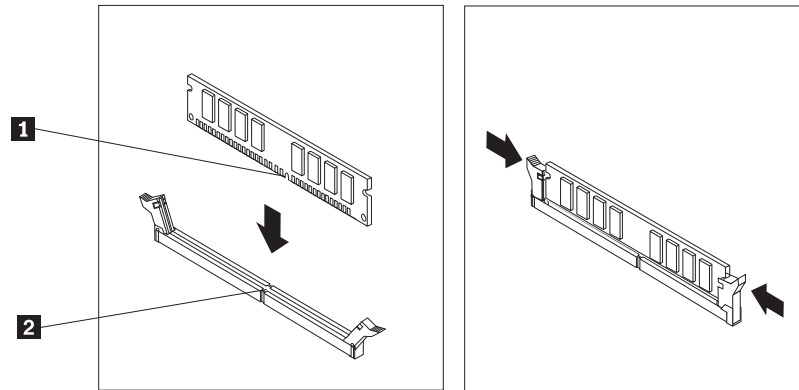


Figure 9. Installing the memory module

What to do next:

- To work with another piece of hardware, go to the appropriate section.
- To complete the installation or replacement, go to “Completing the FRU replacement” on page 120.

Installing or replacing a PCI card

Attention

Do not open your computer or attempt any repair before reading and understanding the “Important safety information” in the *ThinkCentre Safety and Warranty Guide* that came with your computer. To obtain a copy of the *ThinkCentre Safety and Warranty Guide*, go to: <http://www.lenovo.com/support>

This section provides instructions on how to install or replace a PCI card.

Your computer has two standard PCI card slots, one PCI Express x1 card slot, and one PCI Express x16 graphics card slot.

To install or replace a PCI card, do the following:

1. Remove the computer cover. See “Removing the computer cover” on page 86.
2. At the rear of the computer, press the release button **1** to open the PCI card latch **2** and remove the PCI card slot cover.

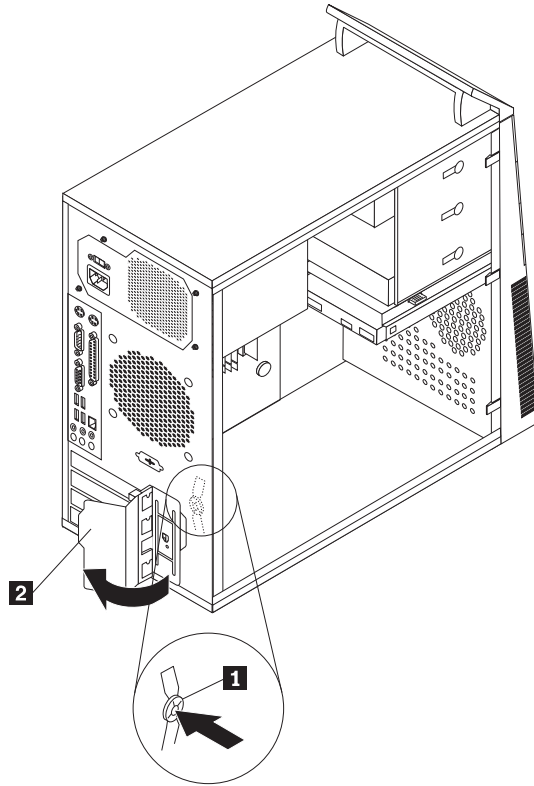


Figure 10. Opening the PCI card latch

3. If you are replacing a PCI card, locate the appropriate PCI card slot on the system board and remove the old PCI card that is currently installed. See “Locating parts on the system board” on page 89. If you are installing a PCI card, go to step 4.

Notes:

- a. The PCI card fits tightly into the PCI card slot. If necessary, alternate moving each side of the PCI card a small and equal amount until it is completely removed from the PCI card slot.

- b. If the PCI card is secured in place by a retaining latch **1**, press the retaining latch downwards to release the PCI card from the latch. Then, grasp the PCI card and gently pull it out of the slot.

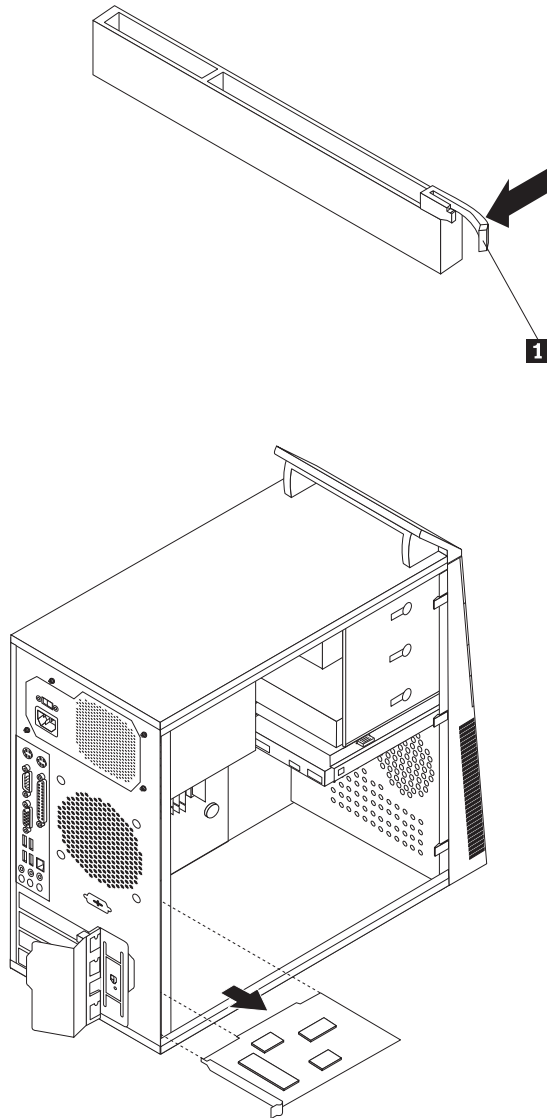


Figure 11. Removing the PCI card

4. Remove the new PCI card from its static-protective package.

5. Install the new PCI card into the appropriate slot on the system board. See “Locating parts on the system board” on page 89. Then, pivot the PCI card latch to the closed position to secure the PCI cards.

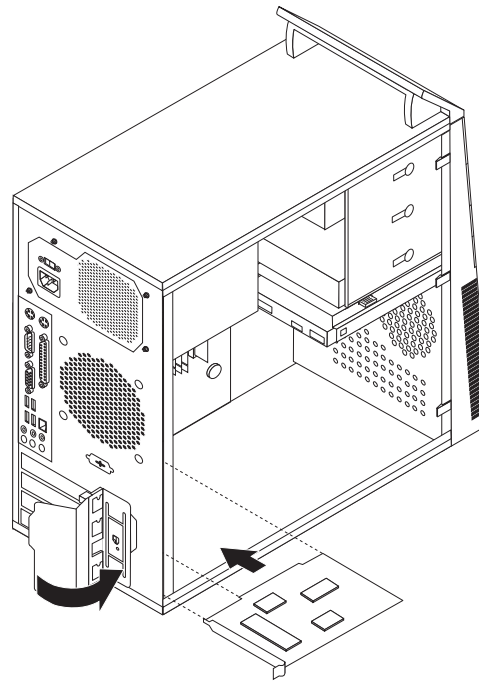


Figure 12. Installing the PCI card

What to do next:

- To work with another piece of hardware, go to the appropriate section.
- To complete the installation or replacement, go to “Completing the FRU replacement” on page 120.

Replacing the battery

Attention

Do not open your computer or attempt any repair before reading and understanding the “Important safety information” in the *ThinkCentre Safety and Warranty Guide* that came with your computer. To obtain a copy of the *ThinkCentre Safety and Warranty Guide*, go to: <http://www.lenovo.com/support>

Your computer has a special type of memory that maintains the date, time, and settings for built-in features, such as parallel-port assignments (configuration). A battery keeps this information active when you turn off the computer.

The battery normally requires no charging or maintenance throughout its life; however, no battery lasts forever. If the battery fails, the date, time, and configuration information (including passwords) are lost. An error message is displayed when you turn on the computer.

Refer to the “Lithium battery notice” in the *ThinkCentre Safety and Warranty Guide* for information about replacing and disposing of the battery.

To replace the battery, do the following:

1. Remove the computer cover. See “Removing the computer cover” on page 86.
2. Locate the battery. See “Locating parts on the system board” on page 89.
3. Remove the old battery.

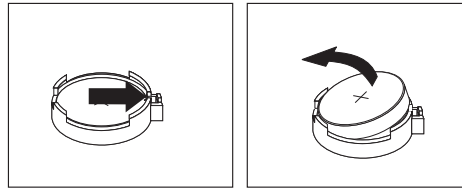


Figure 13. Removing the old battery

4. Install a new battery.

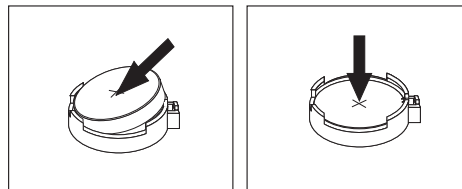


Figure 14. Installing a new battery

5. Reinstall the computer cover and connect the cables. See “Completing the FRU replacement” on page 120.

Note: When the computer is turned on for the first time after replacing the battery, an error message might be displayed. This is normal after replacing the battery.

6. Turn on the computer and all attached devices.
7. Use the Setup Utility program to set the date, time, and any passwords. See Chapter 6, “Using the Setup Utility program,” on page 51.

Replacing the power supply assembly

Attention

Do not open your computer or attempt any repair before reading and understanding the “Important safety information” in the *ThinkCentre Safety and Warranty Guide* that came with your computer. To obtain a copy of the *ThinkCentre Safety and Warranty Guide*, go to: <http://www.lenovo.com/support>

This section provides instructions on how to replace the power supply assembly.

To replace the power supply assembly, do the following:

1. Remove the computer cover. See “Removing the computer cover” on page 86.
2. Disconnect the power supply assembly cables from the system board and all drives. See “Locating parts on the system board” on page 89.

3. Lay the computer on its side and remove the four screws at the rear of the chassis that secure the power supply assembly.

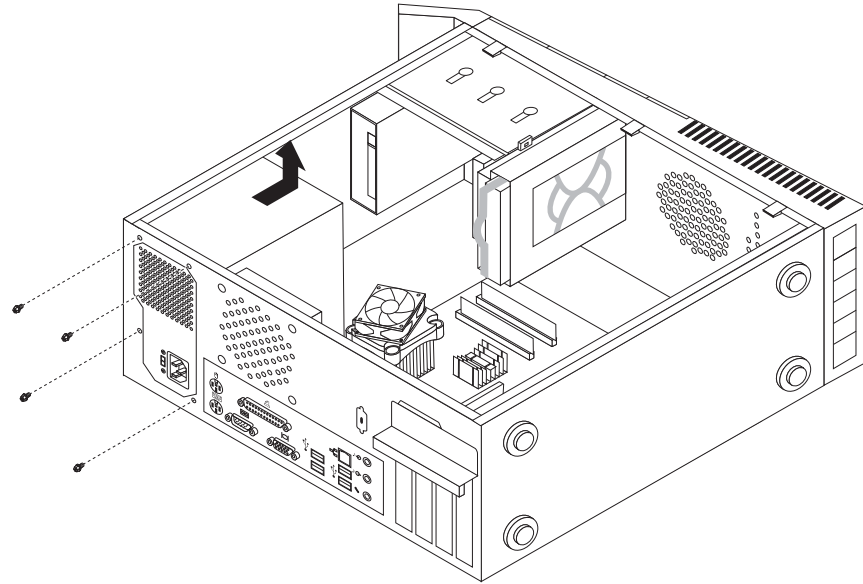


Figure 15. Removing the retaining screws for the power supply assembly

4. Remove the old power supply assembly from the chassis.
5. Ensure that the power supply assembly is the correct replacement. Some power supply assemblies automatically sense the voltage, some power supply assemblies are voltage specific, and some power supply assemblies have a voltage-selection switch. If your computer has a voltage-selection switch, ensure that you set the voltage-selection switch of the new power supply assembly to match the voltage available at your electrical outlet. If necessary, use a ballpoint pen to slide the voltage-selection switch to a different position.
 - If the voltage supply range in your local country or region is 100–127 V AC, set the switch to 115 V.
 - If the voltage supply range in your local country or region is 200–240 V AC, set the switch to 230 V.
6. Install the new power supply assembly into the chassis so that the screw holes in the power supply assembly align with those in the chassis.
7. Install the four screws to secure the power supply assembly.

Note: Use only screws provided by Lenovo.

8. Reconnect the power supply assembly connectors to the system board.
9. Reconnect a power supply assembly connector to each of the drives.

What to do next:

- To work with another piece of hardware, go to the appropriate section.
- To complete the replacement, go to “Completing the FRU replacement” on page 120.

Replacing the heat sink and fan assembly

Attention

Do not open your computer or attempt any repair before reading and understanding the "Important safety information" in the *ThinkCentre Safety and Warranty Guide* that came with your computer. To obtain a copy of the *ThinkCentre Safety and Warranty Guide*, go to: <http://www.lenovo.com/support>

This section provides instructions on how to replace the heat sink and fan assembly.

CAUTION:



The heat sink and fan assembly might be very hot. Turn off the computer and wait three to five minutes to let the computer cool before removing the computer cover.

To replace the heat sink and fan assembly, do the following:

1. Remove the computer cover. See "Removing the computer cover" on page 86.
2. Lay the computer on its side for easier access to the system board.
3. Locate the heat sink and fan assembly. See "Locating parts on the system board" on page 89.
4. Disconnect the heat sink and fan assembly cable from the microprocessor fan connector on the system board. See "Locating parts on the system board" on page 89.

5. Remove the four screws **1** that secure the heat sink and fan assembly to the system board.

Note: Carefully remove the four screws from the system board to avoid any possible damage. The four screws cannot be removed from the heat sink and fan assembly.

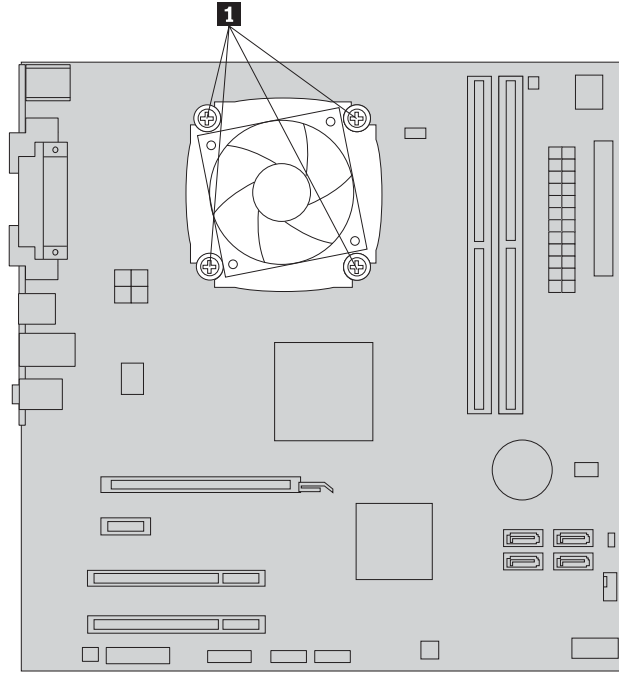


Figure 16. Removing the heat sink and fan assembly

6. Lift the failing heat sink and fan assembly off the system board.

Notes:

- a. You might have to gently twist the heat sink and fan assembly to free it from the microprocessor.
 - b. Do not touch the thermal grease while handling the heat sink and fan assembly.
7. Position the new heat sink and fan assembly on the system board so that the four screws are aligned with the holes on the system board.

Note: Position the new heat sink and fan assembly so that the heat sink and fan assembly cable is toward the microprocessor fan connector on the system board.

8. Alternate tightening each screw a small and equal amount until the heat sink and fan assembly is secured to the system board. Do not over-tighten the screws.
9. Connect the new heat sink and fan assembly cable to the microprocessor fan connector on the system board.

What to do next:

- To work with another piece of hardware, go to the appropriate section.
- To complete the replacement, go to “Completing the FRU replacement” on page 120.

Replacing the microprocessor

Attention

Do not open your computer or attempt any repair before reading and understanding the “Important safety information” in the *ThinkCentre Safety and Warranty Guide* that came with your computer. To obtain a copy of the *ThinkCentre Safety and Warranty Guide*, go to: <http://www.lenovo.com/support>

This section provides instructions on how to replace the microprocessor.

CAUTION:



The heat sink and microprocessor might be very hot. Turn off the computer and wait three to five minutes to let the computer cool before removing the computer cover.

To replace the microprocessor, do the following:

1. Remove the computer cover. See “Removing the computer cover” on page 86.
2. Lay the computer on its side for easier access to the system board.
3. Remove any parts or cables that may prevent your access to the system board.
4. Disconnect the heat sink and fan assembly cable from the microprocessor fan connector on the system board. See “Locating parts on the system board” on page 89.
5. Remove the heat sink and fan assembly. See “Replacing the heat sink and fan assembly” on page 98.
6. Place the heat sink and fan assembly on its side so that the thermal grease does not come in contact with anything.

- Lift the small handle **3** and open the retainer **1** to access the microprocessor **2**.

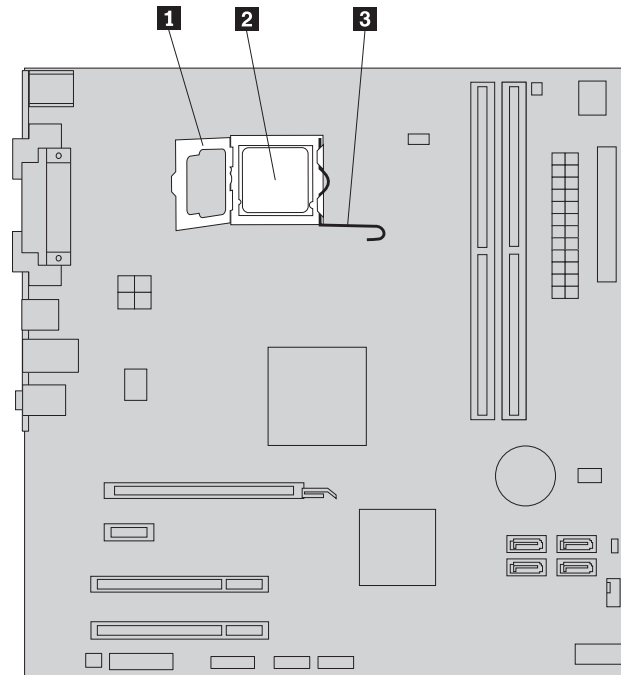
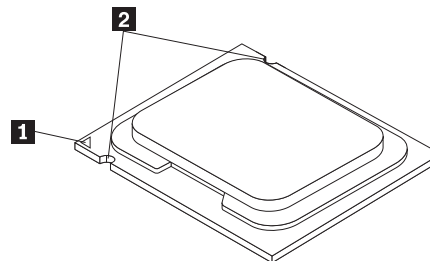


Figure 17. Accessing the microprocessor

- Lift the microprocessor straight up and out of the socket.

Notes:

- Your microprocessor and socket might look different from the one illustrated.
- Note the orientation of the microprocessor in the socket. You can either look for the small triangle **1** on one corner of the microprocessor or note the orientation of the notches **2** on the microprocessor. This is important when reinstalling the microprocessor on the system board.



- c. Touch only the sides of the microprocessor. Do not touch the gold contacts on the bottom.
- d. Do not drop anything onto the microprocessor socket while it is exposed. The socket pins must be kept as clean as possible.

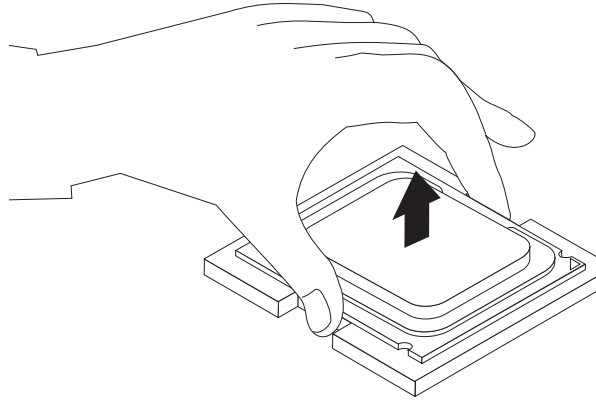
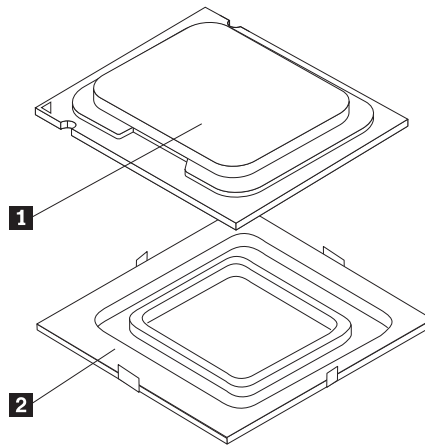


Figure 18. Removing the microprocessor

- 9. Make sure that the small handle is in the raised position and the microprocessor retainer is fully open.
- 10. Remove the protective cover **2** that protects the gold contacts on the new microprocessor **1**.



- 11. Hold the new microprocessor and align the notches on it with the tabs in the microprocessor socket, or align the small triangle on one corner with the corresponding beveled corner of the microprocessor socket.
- 12. Lower the new microprocessor straight down into the microprocessor socket on the system board.
- 13. Close the microprocessor retainer and lock it into position with the small handle to secure the new microprocessor in the socket.
- 14. Reinstall the heat sink and fan assembly. See “Replacing the heat sink and fan assembly” on page 98.
- 15. Reconnect the heat sink and fan assembly cable to the microprocessor fan connector on the system board.
- 16. Reinstall any other parts or reconnect any other cables you removed.

What to do next:

- To work with another piece of hardware, go to the appropriate section.
- To complete the replacement, go to “Completing the FRU replacement” on page 120.

Replacing the system board

Attention

Do not open your computer or attempt any repair before reading and understanding the “Important safety information” in the *ThinkCentre Safety and Warranty Guide* that came with your computer. To obtain a copy of the *ThinkCentre Safety and Warranty Guide*, go to: <http://www.lenovo.com/support>

This section provides instructions on how to replace the system board.

CAUTION:



The heat sink and microprocessor might be very hot. Turn off the computer and wait three to five minutes to let the computer cool before removing the computer cover.

Note: When replacing the system board, you must order a new retention module for the new system board. Make sure you have a retention module for the new system board before continuing this procedure.

To replace the system board, do the following:

1. Remove the computer cover. See “Removing the computer cover” on page 86.
2. Remove the primary hard disk drive with the hard disk drive cage. See “Replacing the primary hard disk drive” on page 105.
3. Lay the computer on its side to make the system board more accessible.
4. Remove all memory modules and adapter cards that are currently installed. See “Installing or replacing a memory module” on page 90 and “Installing or replacing a PCI card” on page 92.
5. Carefully take note of the location of all cable connectors on the system board and disconnect all the cables. See “Locating parts on the system board” on page 89.
6. Remove the heat sink and fan assembly from the failing system board. See “Replacing the heat sink and fan assembly” on page 98.
7. Remove the screws that secure the system board to the chassis.
8. Carefully move the system board out of the chassis.
9. Remove the microprocessor socket cover from the new system board.
10. Remove the microprocessor from the failing system board and install it on the new system board. See “Replacing the microprocessor” on page 100.
11. The failing system board must be returned with a microprocessor socket cover to protect the pins during shipping and handling. Install the microprocessor socket cover removed from the new system board on the failing system board.

To install the microprocessor socket cover:

- a. Make sure the microprocessor has been removed from the microprocessor socket, and then close the microprocessor retainer and lock it into position with the small handle.
- b. Insert the tabs **1** of the socket cover into the hinged side of the socket, and then press the other side of the socket cover downward until the tabs **2** snap into position.

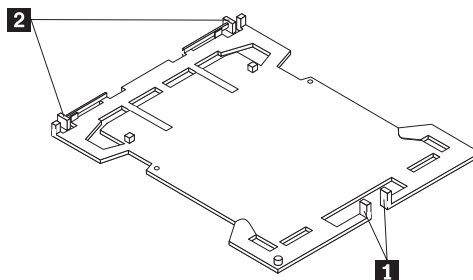


Figure 19. Tabs on the microprocessor socket cover (bottom view)

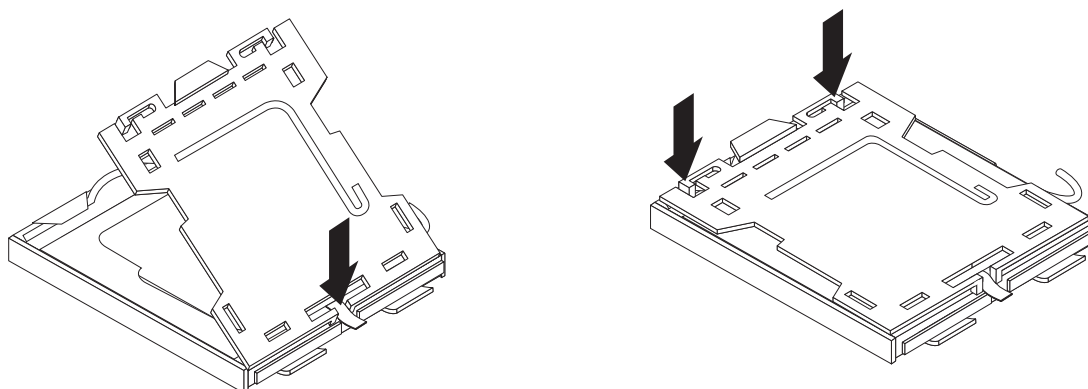


Figure 20. Installing the microprocessor socket cover

12. Install the new retention module on the new system board.
13. Install the heat sink and fan assembly and connect the heat sink and fan assembly cable to the microprocessor fan connector on the new system board.
14. Install the new system board into the chassis and align the screw holes with those in the chassis. Insert and tighten the screws to secure the new system board in place.
15. Install all memory modules and adapter cards removed from the failing system board on the new system board.
16. Reinstall the primary hard disk drive with the hard disk drive cage.
17. Reconnect all remaining cables to the system board. See “Locating parts on the system board” on page 89.

What to do next:

- To work with another piece of hardware, go to the appropriate section.
- To complete the replacement, go to “Completing the FRU replacement” on page 120.

Replacing the primary hard disk drive

Attention

Do not open your computer or attempt any repair before reading and understanding the "Important safety information" in the *ThinkCentre Safety and Warranty Guide* that came with your computer. To obtain a copy of the *ThinkCentre Safety and Warranty Guide*, go to: <http://www.lenovo.com/support>

This section provides instructions on how to replace the primary hard disk drive.

To replace the primary hard disk drive, do the following:

1. Remove the computer cover. See "Removing the computer cover" on page 86.
2. Locate the primary hard disk drive.
3. Disconnect the signal cable and the power cable from the hard disk drive.
4. Press the blue release tab **1** down, slide the hard disk drive cage **2** back, and pivot it outward.

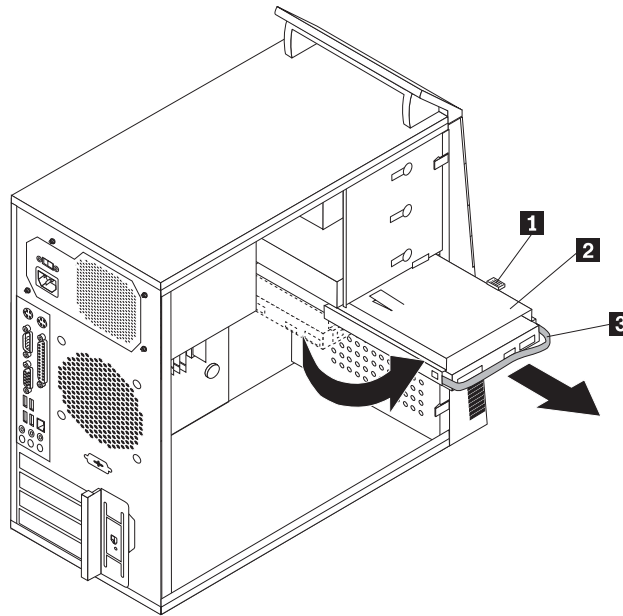


Figure 21. Removing the primary hard disk drive

5. Remove the hard disk drive cage from the chassis by simply sliding it outward.
6. Pull on the blue handle **3** to release and remove the hard disk drive from the drive cage.
7. Remove the hard disk drive from the blue bracket by flexing the sides of the bracket enough to slide it free from the hard disk drive.

8. To install a new hard disk drive into the blue bracket, flex the bracket and align pin **1**, pin **2**, pin **3**, and pin **4** on the bracket with the holes in the hard disk drive. Do not touch the circuit board **5** on the bottom of the hard disk drive.

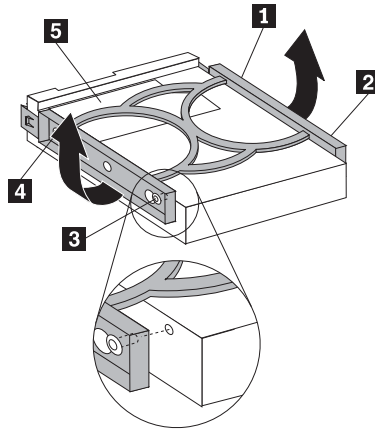


Figure 22. Installing the primary hard disk drive into the bracket

9. Slide the new hard disk drive into the drive cage until it snaps into position.

10. Align the drive cage pivot pin with the slot **1** in the upper drive cage and slide the hard disk drive cage into the chassis.
11. Connect the signal cable and the power cable to the rear of the new hard disk drive.
12. Press down on the metal latch **2** and pivot the drive cage into place, and then slide it forward until it snaps into position.

Note: There are two arrows, one on the upper drive cage and one on the hard disk drive cage. The arrows are aligned when the hard disk drive is in the proper position.

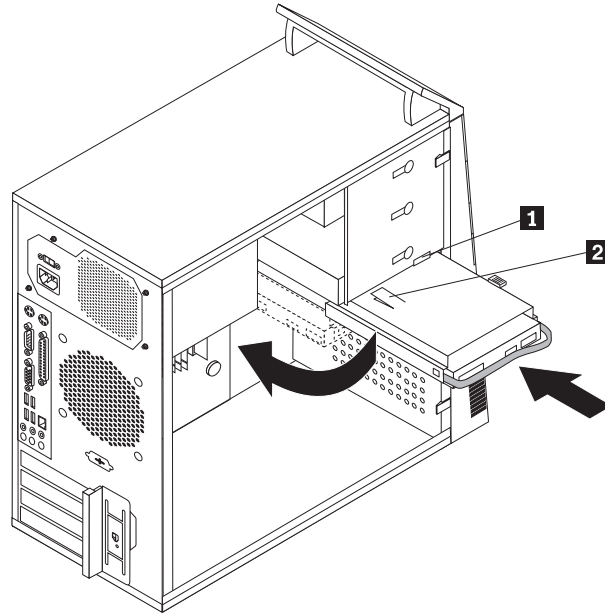


Figure 23. Installing the primary hard disk drive with the hard disk drive cage

What to do next:

- To work with another piece of hardware, go to the appropriate section.
- To complete the replacement, go to “Completing the FRU replacement” on page 120.

Replacing the secondary hard disk drive

Attention

Do not open your computer or attempt any repair before reading and understanding the “Important safety information” in the *ThinkCentre Safety and Warranty Guide* that came with your computer. To obtain a copy of the *ThinkCentre Safety and Warranty Guide*, go to: <http://www.lenovo.com/support>

This section provides instructions on how to replace the secondary hard disk drive.

Note: Depending on your model type, your computer might come with a secondary hard disk drive bay for installing or replacing a secondary hard disk drive.

To replace the secondary hard disk drive, do the following:

1. Remove the computer cover. See “Removing the computer cover” on page 86.
2. Locate the secondary hard disk drive.
3. Disconnect the signal cable and the power cable from the hard disk drive.
4. Press the blue release button to release the hard disk drive cage from the chassis.

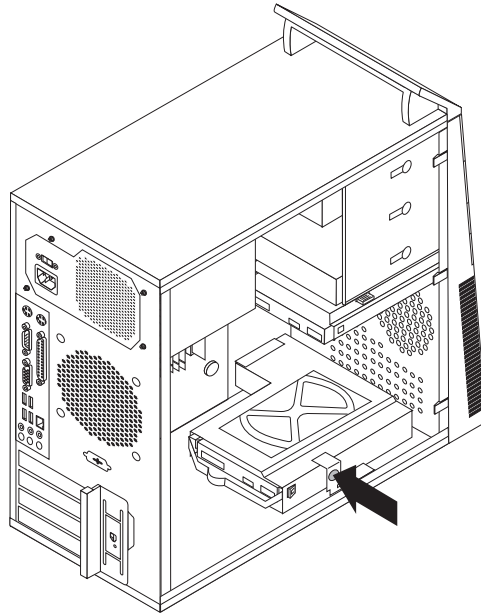


Figure 24. Removing the secondary hard disk drive

5. Remove the hard disk drive cage from the chassis by simply sliding it outward.
6. Pull on the blue handle to release and remove the hard disk drive from the hard disk drive cage.
7. Remove the hard disk drive from the blue plastic bracket by flexing the sides of the bracket enough to slide it free from the hard disk drive.

8. To install a new hard disk drive into the blue bracket, flex the bracket and align pin **1**, pin **2**, pin **3**, and pin **4** on the bracket with the holes in the hard disk drive. Do not touch the circuit board **5** on the bottom of the hard disk drive.

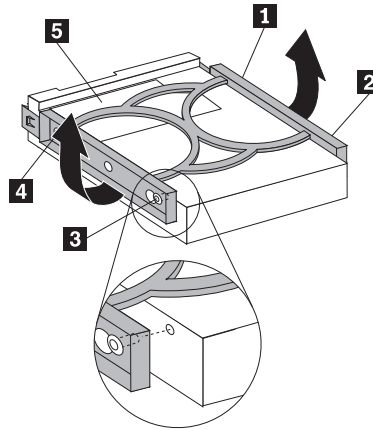


Figure 25. Installing the secondary hard disk drive into the bracket

9. Slide the new hard disk drive into the hard disk drive cage until it snaps into position.

10. Install the hard disk drive cage into the chassis until it snaps into position underneath the metal tab. Make sure that the hard disk drive cage is secured in the chassis.

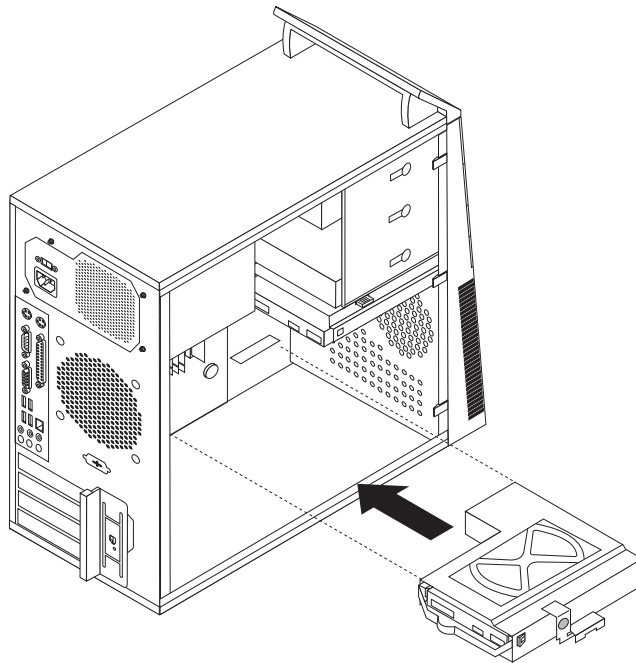


Figure 26. Installing the secondary hard disk drive and drive cage

11. Connect the signal and power cables to the rear of the new hard disk drive.

What to do next:

- To work with another piece of hardware, go to the appropriate section.
- To complete the replacement, go to “Completing the FRU replacement” on page 120.

Replacing the optical drive

Attention

Do not open your computer or attempt any repair before reading and understanding the “Important safety information” in the *ThinkCentre Safety and Warranty Guide* that came with your computer. To obtain a copy of the *ThinkCentre Safety and Warranty Guide*, go to: <http://www.lenovo.com/support>

This section provides instructions on how to replace the optical drive.

To replace the optical drive, do the following:

1. Remove the computer cover. See “Removing the computer cover” on page 86.
2. Remove the front bezel. See “Removing and reinstalling the front bezel” on page 89.
3. Disconnect the signal cable and the power cable from the rear of the optical drive.

4. Press the blue release button and remove the optical drive out of the front of the computer.

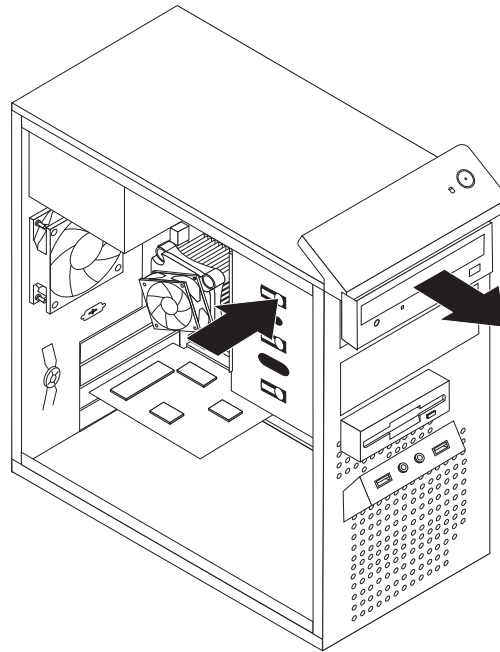


Figure 27. Removing the optical drive

5. Remove the retaining bracket from the optical drive being replaced and install it on the new optical drive.

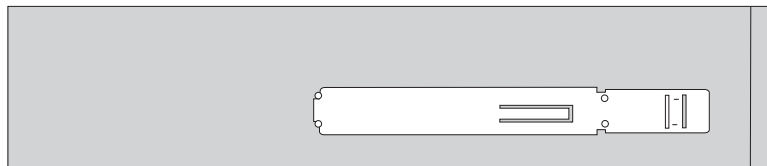


Figure 28. Retaining bracket for optical drive

6. Slide the new optical drive into the bay from the front until it snaps into position.
7. Connect the signal cable and the power cable to the optical drive.

What to do next:

- To work with another piece of hardware, go to the appropriate section.
- To complete the replacement, go to “Completing the FRU replacement” on page 120.

Replacing the diskette drive or card reader

Attention

Do not open your computer or attempt any repair before reading and understanding the "Important safety information" in the *ThinkCentre Safety and Warranty Guide* that came with your computer. To obtain a copy of the *ThinkCentre Safety and Warranty Guide*, go to: <http://www.lenovo.com/support>

Depending on your model type, your computer might have a diskette drive or a card reader installed. This section provides instructions on how to replace the diskette drive or card reader.

The artwork in this section shows how to replace the diskette drive. To replace the card reader, the procedure is the same as replacing the diskette drive.

To replace the diskette drive or card reader, do the following:

1. Remove the computer cover. See "Removing the computer cover" on page 86.
2. Remove the front bezel. See "Removing and reinstalling the front bezel" on page 89.
3. Disconnect the signal cable and the power cable from the rear of the diskette drive or card reader.
4. Press the release button and slide the diskette drive or card reader out of the front of the computer.

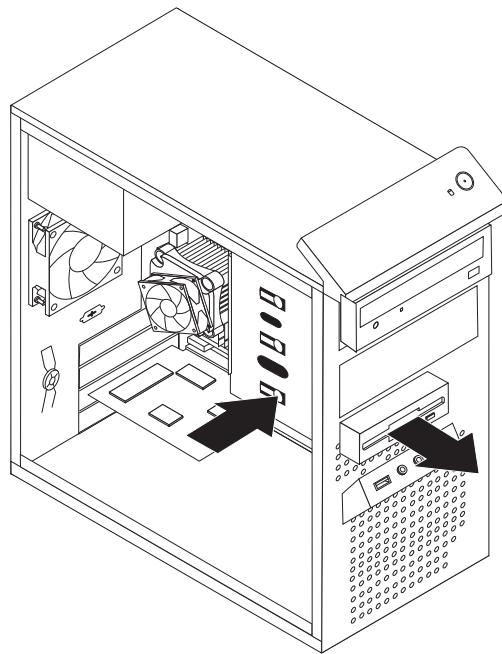


Figure 29. Removing the diskette drive or card reader

5. Remove the retaining bracket from the failing diskette drive or card reader and install it on a new diskette drive or card reader.

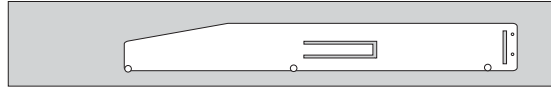


Figure 30. Retaining bracket for diskette drive or card reader

6. Slide the new diskette drive or card reader into the drive bay until it snaps into position.
7. Connect the signal cable and the power cable to the new diskette drive or card reader.
8. Reinstall the front bezel.

What to do next:

- To work with another piece of hardware, go to the appropriate section.
- To complete the replacement, go to “Completing the FRU replacement” on page 120.

Replacing the front fan assembly

Attention

Do not open your computer or attempt any repair before reading and understanding the “Important safety information” in the *ThinkCentre Safety and Warranty Guide* that came with your computer. To obtain a copy of the *ThinkCentre Safety and Warranty Guide*, go to: <http://www.lenovo.com/support>

This section provides instructions on how to replace the front fan assembly.

Note: Depending on model type, your computer might have a front fan assembly installed.

To replace the front fan assembly, do the following:

1. Remove the computer cover. See “Removing the computer cover” on page 86.
2. Remove the front bezel. See “Removing and reinstalling the front bezel” on page 89.
3. Disconnect the front fan assembly cable from the power fan connector on the system board. See “Locating parts on the system board” on page 89.

4. The front fan assembly is attached to the chassis by four rubber mounts. Remove the front fan assembly by breaking or cutting the rubber mounts and gently pulling the front fan assembly out of the chassis.

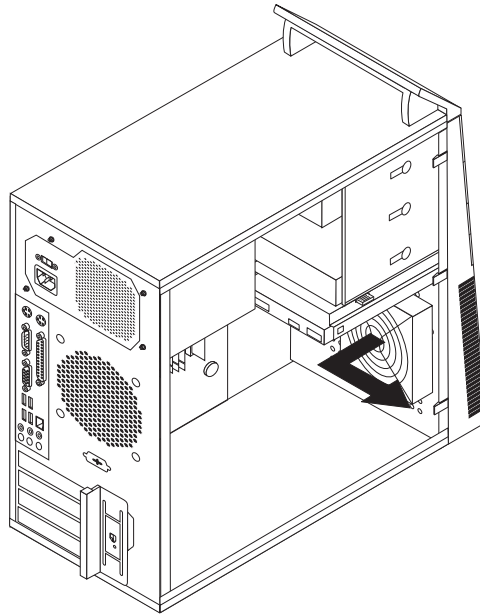


Figure 31. Removing the front fan assembly

5. Install the new front fan assembly by aligning the new rubber mounts of the new front fan assembly with the holes on the chassis and push the rubber mounts through the holes.

Note: The new front fan assembly you received will have four new rubber mounts attached.

- Pull on the tips of the rubber mounts until the front fan assembly is in place.

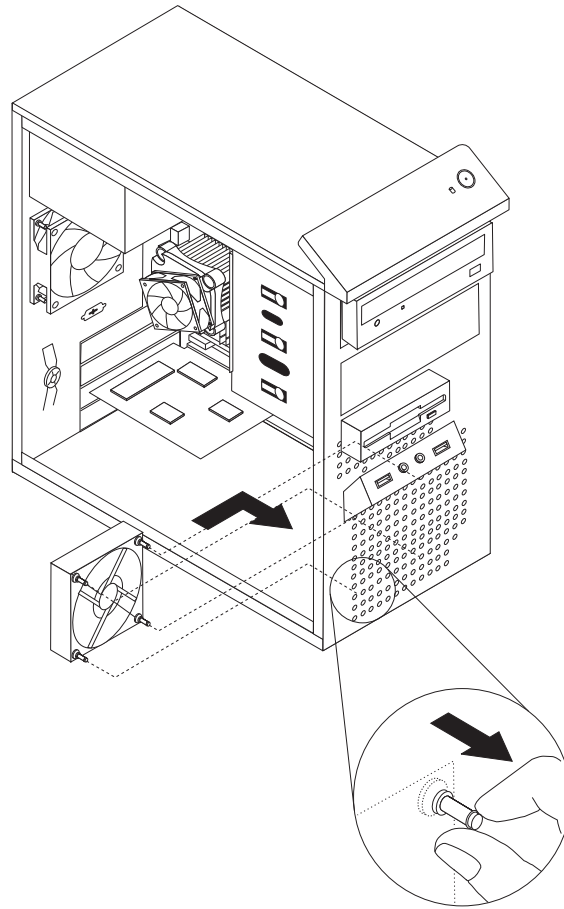


Figure 32. Installing the front fan assembly

- Connect the front fan assembly cable to the power fan connector on the system board.

What to do next:

- To work with another piece of hardware, go to the appropriate section.
- To complete the replacement, go to “Completing the FRU replacement” on page 120.

Replacing the rear fan assembly

Attention

Do not open your computer or attempt any repair before reading and understanding the “Important safety information” in the *ThinkCentre Safety and Warranty Guide* that came with your computer. To obtain a copy of the *ThinkCentre Safety and Warranty Guide*, go to: <http://www.lenovo.com/support>

This section provides instructions on how to replace the rear fan assembly.

To replace the rear fan assembly, do the following:

1. Remove the computer cover. See “Removing the computer cover” on page 86.
2. Locate the rear fan assembly. See “Locating components” on page 88.
3. Disconnect the rear fan assembly cable from the system fan connector on the system board. See “Locating parts on the system board” on page 89.
4. The rear fan assembly is attached to the chassis by four rubber mounts. Remove the rear fan assembly by breaking or cutting the rubber mounts and gently pulling the rear fan assembly out of the chassis.

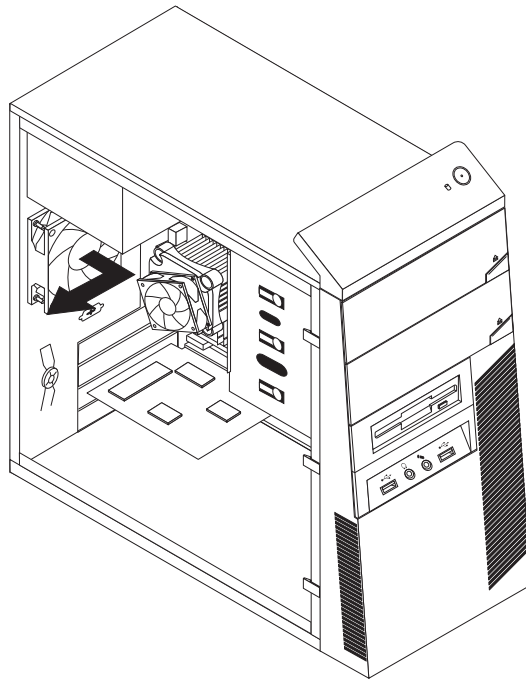


Figure 33. Removing the rear fan assembly

5. Install the new rear fan assembly by aligning the new rubber mounts of the new rear fan assembly with the holes on the chassis and push the rubber mounts through the holes.

Note: The new rear fan assembly you received will have four new rubber mounts attached.

6. Pull on the tips of the rubber mounts until the rear fan assembly is in place.

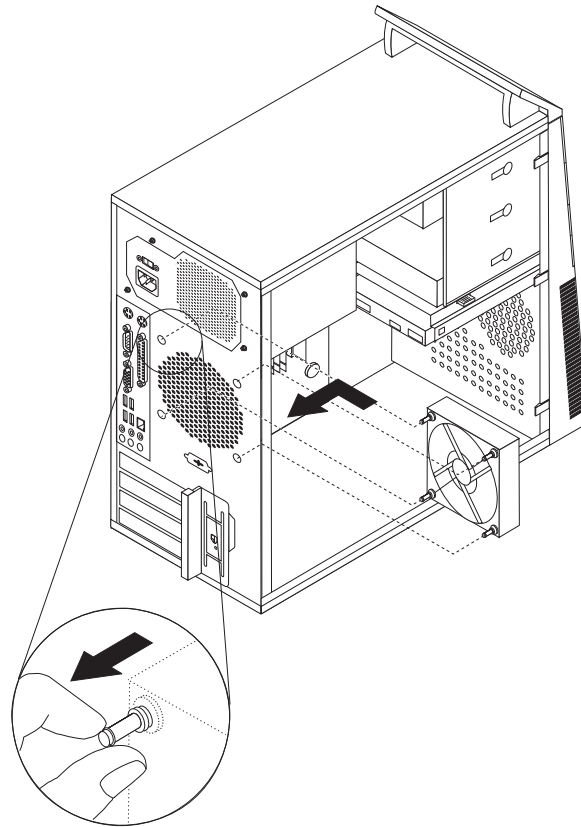


Figure 34. Installing the rear fan assembly

7. Connect the rear fan assembly cable to the system fan connector on the system board.

What to do next:

- To work with another piece of hardware, go to the appropriate section.
- To complete the replacement, go to “Completing the FRU replacement” on page 120.

Replacing the internal speaker

Attention

Do not open your computer or attempt any repair before reading and understanding the “Important safety information” in the *ThinkCentre Safety and Warranty Guide* that came with your computer. To obtain a copy of the *ThinkCentre Safety and Warranty Guide*, go to: <http://www.lenovo.com/support>

This section provides instructions on how to replace the internal speaker.

To replace the internal speaker, do the following:

1. Remove the computer cover. See “Removing the computer cover” on page 86.

2. Locate the internal speaker connector on the system board. See “Locating parts on the system board” on page 89.
3. Disconnect the internal speaker cable from the system board.
4. Push the metal tab on the top of the internal speaker outward and slide the internal speaker upward to completely remove it from the chassis.

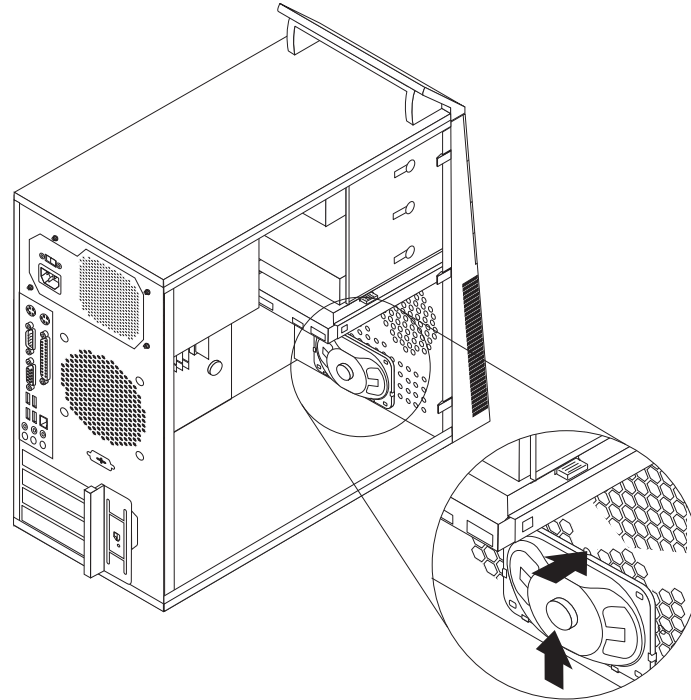


Figure 35. Removing the old internal speaker

5. Position a new internal speaker into the metal clips and push downward on the internal speaker until it snaps into position.

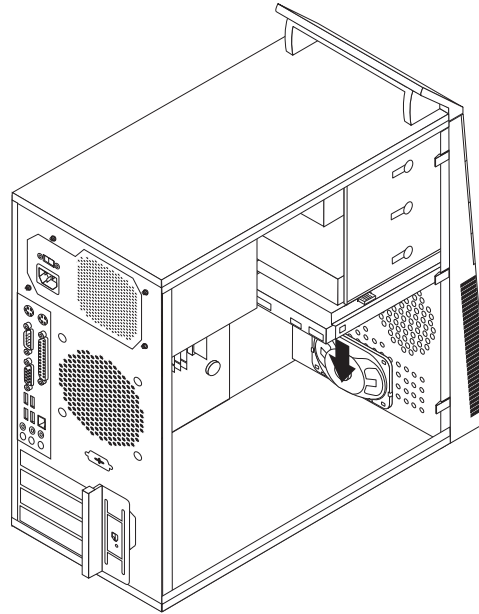


Figure 36. Installing a new internal speaker

6. Connect the speaker cable to the system board. See “Locating parts on the system board” on page 89.

What to do next:

- To work with another piece of hardware, go to the appropriate section.
- To complete the replacement, go to “Completing the FRU replacement” on page 120.

Replacing the front audio and USB assembly

Attention

Do not open your computer or attempt any repair before reading and understanding the “Important safety information” in the *ThinkCentre Safety and Warranty Guide* that came with your computer. To obtain a copy of the *ThinkCentre Safety and Warranty Guide*, go to: <http://www.lenovo.com/support>

This section provides instructions on how to replace the front audio and USB assembly.

To replace the front audio and USB assembly, do the following:

1. Remove the computer cover. See “Removing the computer cover” on page 86.
2. Remove the front bezel. See “Removing and reinstalling the front bezel” on page 89.
3. Disconnect the front audio and USB assembly cables from the system board. See “Locating parts on the system board” on page 89.

4. Note the front audio and USB assembly cables routing and remove the screw that secures the front audio and USB assembly to the chassis.

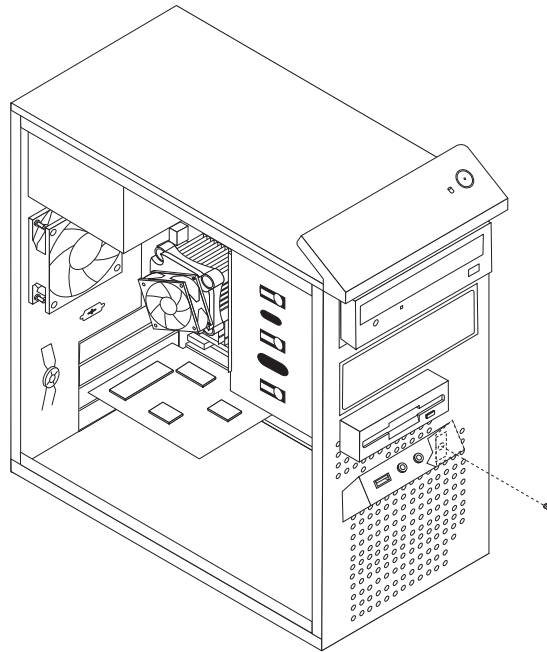


Figure 37. Removing the front audio and USB assembly

5. Remove the front audio and USB assembly.
6. Route the cables for the new front audio and USB assembly through the hole in the chassis to the system board.
7. Install the new front audio and USB assembly into the chassis and secure it with the screw.
8. Connect the new front audio and USB assembly cables to the system board. See “Locating parts on the system board” on page 89.
9. Reinstall the front bezel.

What to do next:

- To work with another piece of hardware, go to the appropriate section.
- To complete the replacement, go to “Completing the FRU replacement.”

Completing the FRU replacement

After replacing the FRUs, you need to reinstall any removed parts, reconnect and route any internal cables, reinstall the computer cover, and reconnect any external cables, including telephone lines and power cords. Depending on the FRUs replaced, you might need to confirm the updated information in the Setup Utility program, see Chapter 6, “Using the Setup Utility program,” on page 51.

Note: When the power cord is first plugged in, the computer might appear to turn on for a few seconds and then turn off. This is a normal sequence to enable the computer to initialize.

To reinstall the computer cover and reconnect cables to your computer:

1. Ensure that all components have been reassembled correctly and that no tools or loose screws are left inside your computer. See “Locating components” on page 88 for the location of the various components.
2. Reconnect any internal cables.
3. Position the computer cover on the chassis so that the rail guides on the bottom of the computer cover engage the rails. Then, push the computer cover closed until it snaps into position.

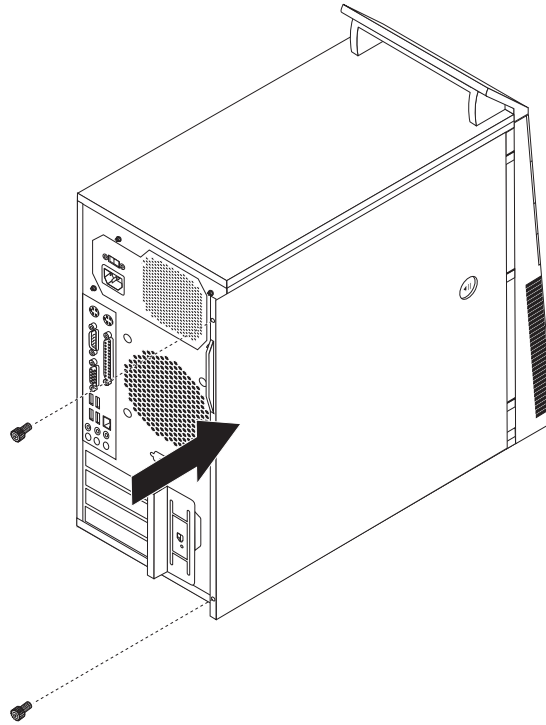


Figure 38. Reinstalling the computer cover

4. If the computer cover is secured with thumbscrews, install them.
5. If a cover lock is installed, lock the cover.
6. Reconnect the external cables and power cords to the computer. See “Locating connectors on the rear of your computer” on page 85.
7. If you have replaced the system board, you must update (flash) the BIOS. See “Updating (flashing) BIOS from a disc” on page 278.
8. Some FRU replacements require the configuration to be updated. To update your configuration, see Chapter 6, “Using the Setup Utility program,” on page 51.

Chapter 9. Replacing FRUs (Machine types: 7522, 7560, 7610, and 7705.)

Important

Be sure to read and understand the Chapter 2, "Safety information," on page 3 before replacing any FRU. These precautions and guidelines will help you work safely.

FRU replacements are to be done only by trained service technicians.

This chapter does not contain the install, remove or replace procedure for all FRUs. Only the major FRUs are documented.

Locating connectors on the front of your computer

Figure 39 shows the locations of the connectors on the front of the computer.

Note: Not all computer models have the following connectors.

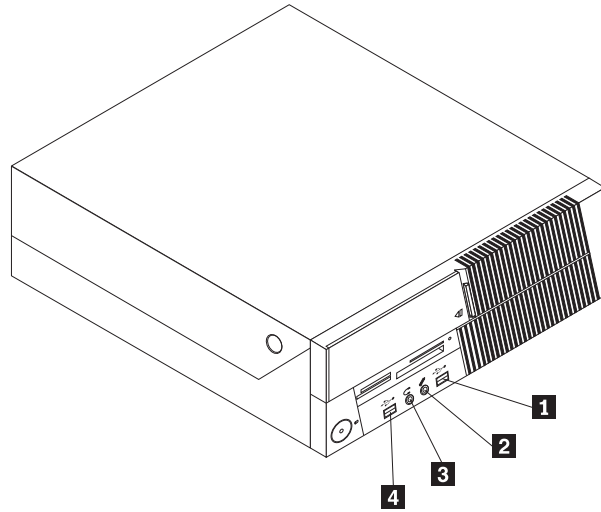


Figure 39. Front connector locations

1 USB connector

2 Headphone connector

3 Microphone connector

4 USB connector

Locating connectors on the rear of your computer

Figure 40 shows the locations of the connectors on the rear of the computer. Some connectors on the rear of your computer are color-coded to help you determine where to connect the cables on your computer.

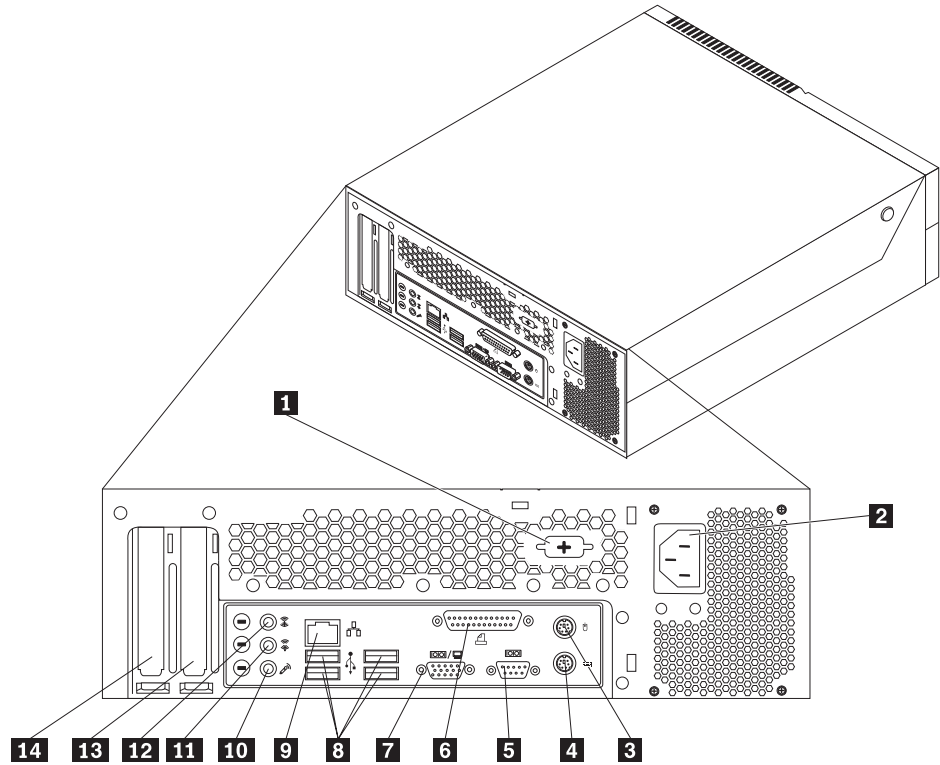


Figure 40. Rear connector locations

- | | |
|--------------------------------------|--|
| 1 Serial port (some models) | 8 USB connectors (4) |
| 2 Power cord connector | 9 Ethernet connector |
| 3 Standard mouse connector | 10 Microphone connector |
| 4 Standard keyboard connector | 11 Audio line-out connector |
| 5 Serial port | 12 Audio line-in connector |
| 6 Parallel port | 13 PCI Express x16 graphics card slot |
| 7 VGA monitor connector | 14 PCI card slot |

Opening the computer cover

Attention

Do not open your computer or attempt any repair before reading and understanding the "Important safety information" in the *ThinkCentre Safety and Warranty Guide* that came with your computer. To obtain a copy of the *ThinkCentre Safety and Warranty Guide*, go to: <http://www.lenovo.com/support>

This section provides instructions on how to open the computer cover.

CAUTION:



Turn off the computer and wait three to five minutes to let the computer cool before opening the computer cover.

To open the computer cover, do the following:

1. Remove any media from the drives, shut down your operating system, and turn off all attached devices and the computer.
2. Unplug all power cords from electrical outlets.
3. Disconnect the cables attached to the computer. This includes power cords, input/output (I/O) cables, and any other cables that are connected to the computer. See "Locating connectors on the front of your computer" on page 124 and "Locating connectors on the rear of your computer" on page 125.
4. Remove any locking devices, such as a cable lock that secures the computer cover.
5. Press the buttons on the sides of the computer and pivot the computer cover upward to open.

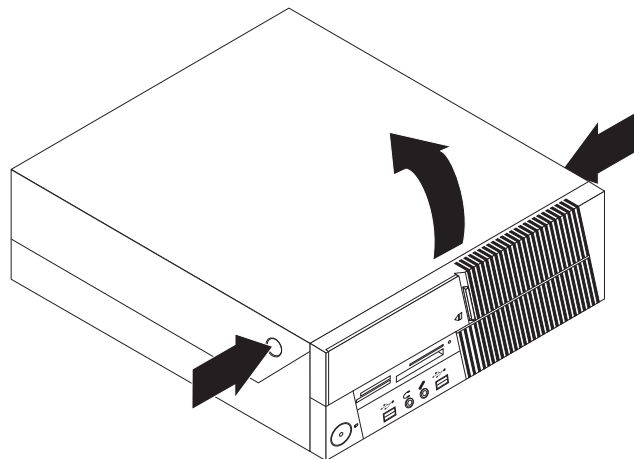


Figure 41. Opening the computer cover

Accessing the system board components and drives

Attention

Do not open your computer or attempt any repair before reading and understanding the "Important safety information" in the *ThinkCentre Safety and Warranty Guide* that came with your computer. To obtain a copy of the *ThinkCentre Safety and Warranty Guide*, go to: <http://www.lenovo.com/support>

This section provides instructions on how to access the system board components and drives.

To access the system board components and drives:

1. Open the computer cover. See "Opening the computer cover" on page 126.
2. On some models, you might need to pivot the drive bay assembly upward and remove the hard disk drive to access the internal components. See "Replacing the hard disk drive" on page 136.

Note: Make sure you note the location of any cables that you disconnect from the drives or the system board.

Attention: Make sure the hard disk drive assembly is in the latched down position before closing the computer cover to prevent damage to the hard disk drive assembly.

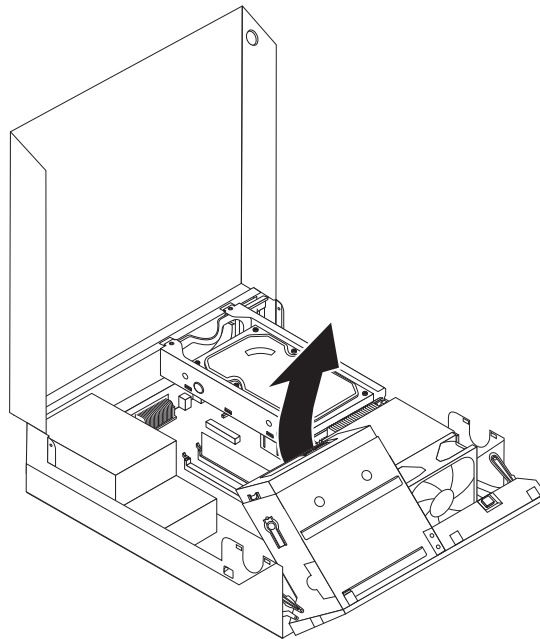


Figure 42. Pivoting the drive bay assembly

Locating components

To open the computer cover, see “Opening the computer cover” on page 126.

Figure 43 shows the location of the various components in your computer.

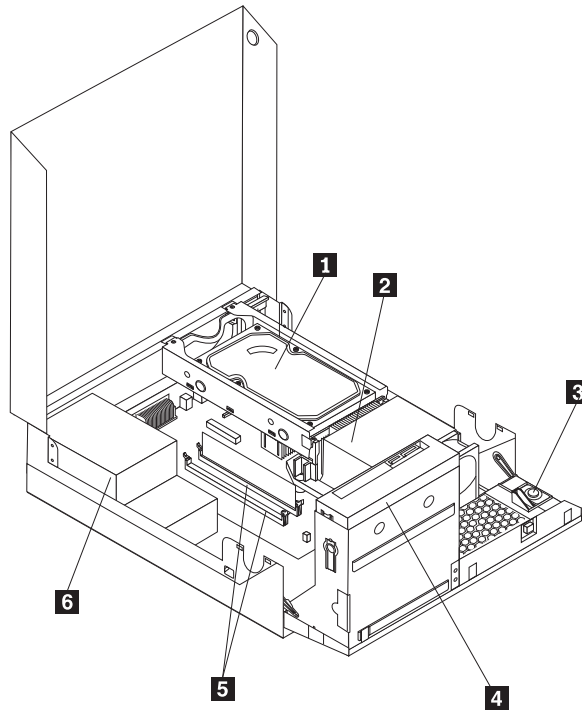


Figure 43. Component locations

- | | |
|-------------------------------------|--------------------------------|
| 1 Hard disk drive | 4 Optical drive |
| 2 Heat sink and fan assembly | 5 Memory slots |
| 3 Internal speaker | 6 Power supply assembly |

Locating parts on the system board

Figure 44 shows the location of the parts on the system board.

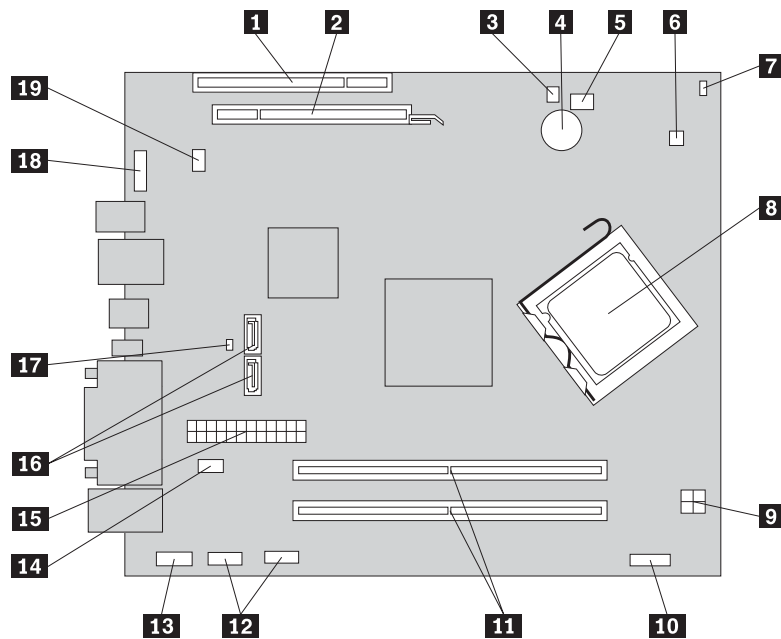


Figure 44. System board parts locations

- | | |
|--|--|
| 1 PCI card slot | 11 Memory slots (2) |
| 2 PCI Express x16 graphics card slot | 12 Front USB connectors (2) |
| 3 Internal speaker connector | 13 Serial (COM 2) connector |
| 4 Battery | 14 Power fan connector |
| 5 Microprocessor fan connector | 15 24-pin power connector |
| 6 Thermal sensor connector | 16 SATA connectors (2) |
| 7 Cover presence (Intrusion) switch connector | 17 Clear CMOS (Complementary Metal Oxide Semiconductor)/Recovery jumper |
| 8 Microprocessor | 18 Front audio connector |
| 9 4-pin power connector | 19 System fan connector |
| 10 Front panel connector | |

Installing or replacing a memory module

Attention

Do not open your computer or attempt any repair before reading and understanding the “Important safety information” in the *ThinkCentre Safety and Warranty Guide* that came with your computer. To obtain a copy of the *ThinkCentre Safety and Warranty Guide*, go to: <http://www.lenovo.com/support>

This section provides instructions on how to install or replace a memory module.

Your computer has two slots for installing or replacing DDR2 DIMMs (double data rate 2 dual inline memory modules) that provide up to a maximum of 4 GB system memory.

When installing or replacing a memory module, use the following guidelines:

- Use 1.8 V, 240-pin, DDR2 DIMMs (double data rate 2 dual inline memory modules).
- Use 512 MB, 1 GB, or 2 GB memory modules in any combination up to a maximum of 4 GB.

Note: Only DDR2 SDRAM DIMMs can be used.

To install or replace a memory module:

1. Open the computer cover. See “Opening the computer cover” on page 126.
2. Pivot the drive bay assembly upward to access the memory slots. See “Accessing the system board components and drives” on page 127.
3. Remove any parts that might prevent your access to the memory slots.
4. Locate the memory slots.
5. Open the retaining clips.

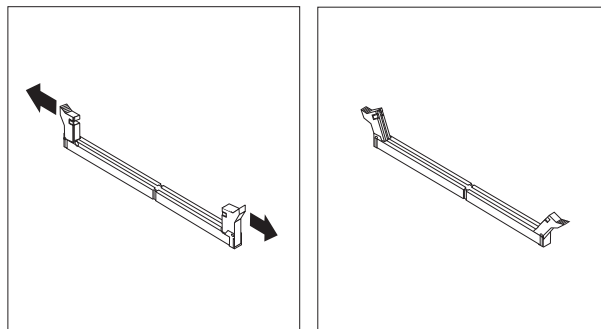


Figure 45. Opening the retaining clips

If you are replacing an old memory module, open the retaining clips and remove the memory module being replaced as shown.

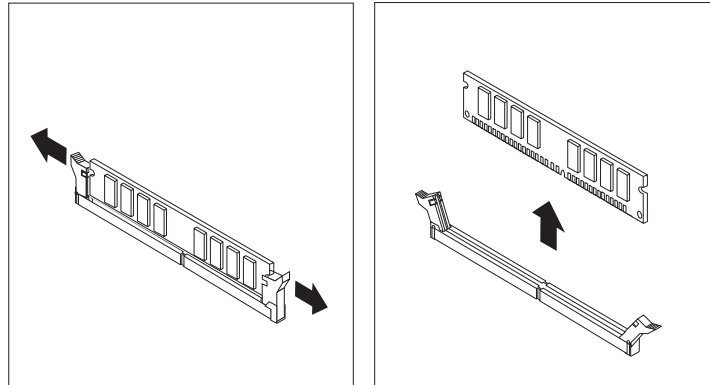


Figure 46. Removing the old memory module

6. Position the memory module over the memory slot. Make sure that the notch **1** on the memory module aligns correctly with the slot key **2** on the system board. Push the memory module straight down into the slot until the retaining clips close.

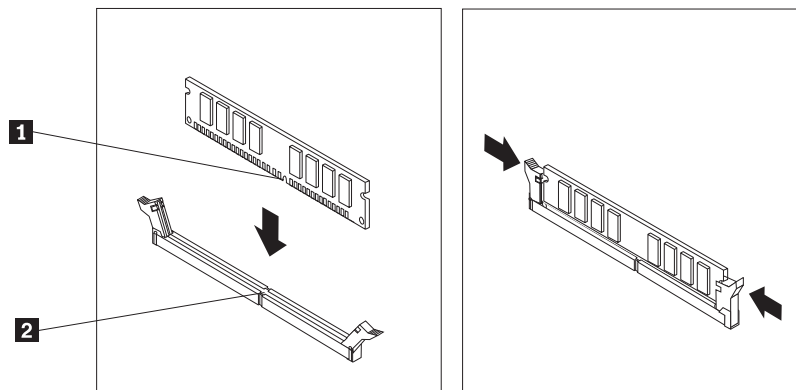


Figure 47. Installing the memory module

What to do next:

- To work with another option, go to the appropriate section.
- To complete the installation, go to “Completing the FRU replacement” on page 155.

Installing or replacing an adapter card

Attention

Do not open your computer or attempt any repair before reading and understanding the “Important safety information” in the *ThinkCentre Safety and Warranty Guide* that came with your computer. To obtain a copy of the *ThinkCentre Safety and Warranty Guide*, go to: <http://www.lenovo.com/support>

This section provides instructions on how to install or replace an adapter card.

Your computer has one standard adapter card slot and one PCI Express x16 graphics adapter card slot.

To install or replace an adapter card:

1. Open the computer cover. See “Opening the computer cover” on page 126.
2. Rotate the adapter card retainer to the open position.
3. Remove the adapter card from its static-protective package.

4. Install the adapter card into the appropriate adapter card slot on the system board, see “Locating parts on the system board” on page 129. If you are replacing an old adapter card, remove the adapter card being replaced before installing the new one.

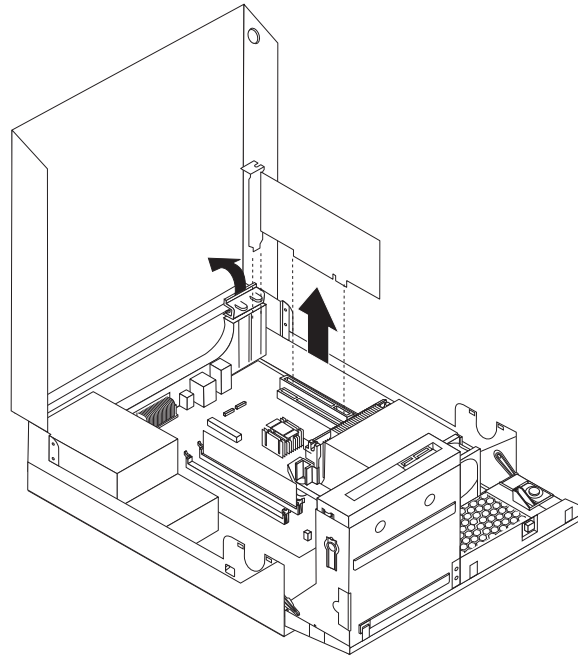
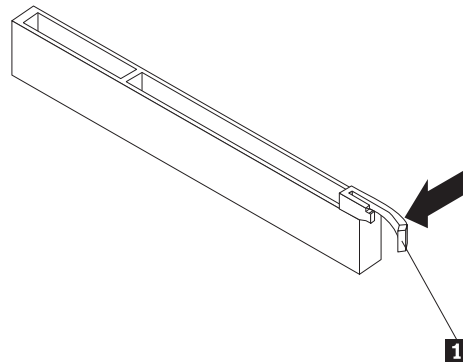


Figure 48. Removing the adapter card

Notes:

- a. The adapter card fits tightly into the adapter card slot. If necessary, alternate moving each side of the adapter card a small amount until it is removed from the adapter card slot.
- b. If the adapter card is held in place by a retaining latch, press the adapter card retaining latch **1** as shown to disengage the latch. Grasp the adapter card and then gently pull the adapter card out of the slot.



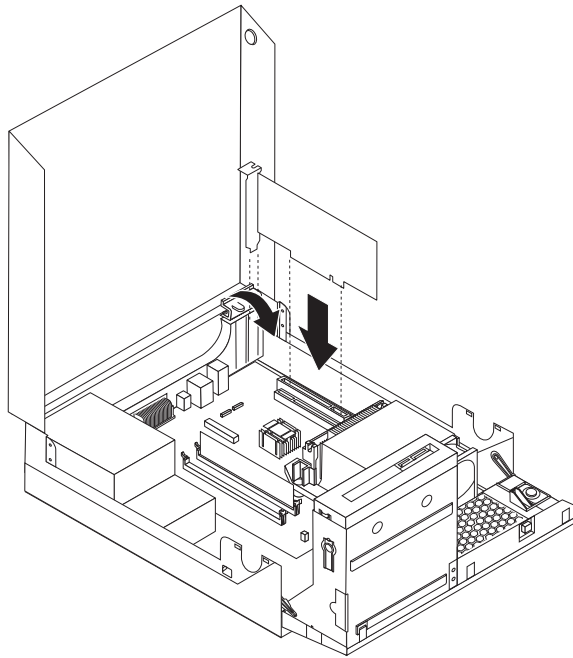


Figure 49. Installing the adapter card

5. Rotate the adapter retainer to the closed position.

What to do next:

- To work with another option, go to the appropriate section.
- To complete the installation, go to “Completing the FRU replacement” on page 155.

Replacing the battery

Attention

Do not open your computer or attempt any repair before reading and understanding the “Important safety information” in the *ThinkCentre Safety and Warranty Guide* that came with your computer. To obtain a copy of the *ThinkCentre Safety and Warranty Guide*, go to: <http://www.lenovo.com/support>

This section provides instructions on how to replace the battery.

Your computer has a special type of memory that maintains the date, time, and settings for built-in features, such as parallel-port assignments (configuration). A battery keeps this information active when you turn off the computer.

The battery normally requires no charging or maintenance throughout its life; however, no battery lasts forever. If the battery fails, the date, time, and configuration information (including passwords) are lost. An error message is displayed when you turn on the computer.

Refer to the “Lithium battery notice” in the *ThinkCentre Safety and Warranty Guide* for information about replacing and disposing of the battery.

To replace the battery:

1. Open the computer cover. See “Opening the computer cover” on page 126.
2. Locate the battery. See “Locating parts on the system board” on page 129.
3. Remove the old battery.

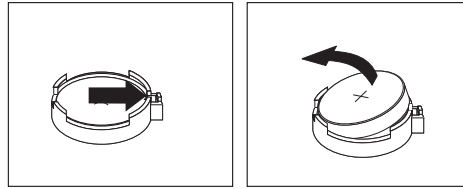


Figure 50. Removing the old battery

4. Install a new battery.

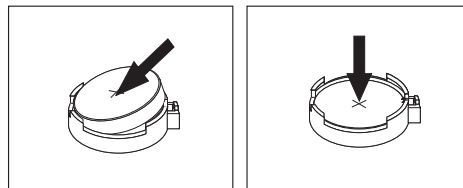


Figure 51. Installing a new battery

5. Reinstall the computer cover and connect the cables. See “Completing the FRU replacement” on page 155.

Note: When the computer is turned on for the first time after replacing the battery, an error message might be displayed. This is normal after replacing the battery.

6. Turn on the computer and all attached devices.
7. Use the Setup Utility program to set the date, time, and any passwords. See Chapter 6, “Using the Setup Utility program,” on page 51.

Replacing the hard disk drive

Attention

Do not open your computer or attempt any repair before reading and understanding the “Important safety information” in the *ThinkCentre Safety and Warranty Guide* that came with your computer. To obtain a copy of the *ThinkCentre Safety and Warranty Guide*, go to: <http://www.lenovo.com/support>

This section provides instructions on how to replace the hard disk drive.

Important

When you receive a new hard disk drive, you also receive a set of *Product Recovery discs*. The set of *Product Recovery discs* will enable you to restore the contents of the hard disk drive to the same state as when your computer was originally shipped from the factory. For more information on recovering factory-installed software, refer to “Recovering software” in your *ThinkCentre User Guide*.

To replace the hard disk drive:

1. Open the computer cover. See “Opening the computer cover” on page 126.
2. You might need to pivot the drive bay assembly upward to gain easy access to the hard disk drive. See “Accessing the system board components and drives” on page 127.
3. Locate the hard disk drive.
4. Push the blue handle of the hard disk drive bracket inwards to release the two clips **1** that secure the hard disk drive to the chassis, and then rotate the hard disk drive upwards and lift it up to remove it from the computer.

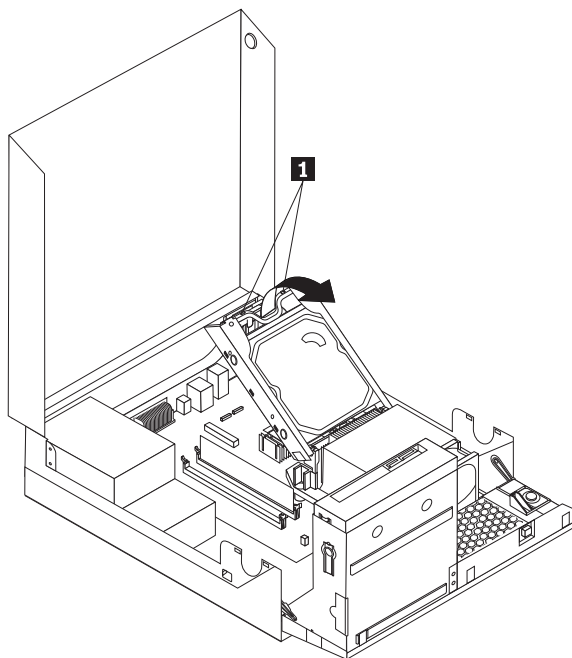


Figure 52. Removing the hard disk drive

5. Disconnect the signal cable and the power cable from the hard disk drive.
6. Remove the old hard disk drive from the bracket by flexing the sides of the bracket enough to slide it free from the hard disk drive.

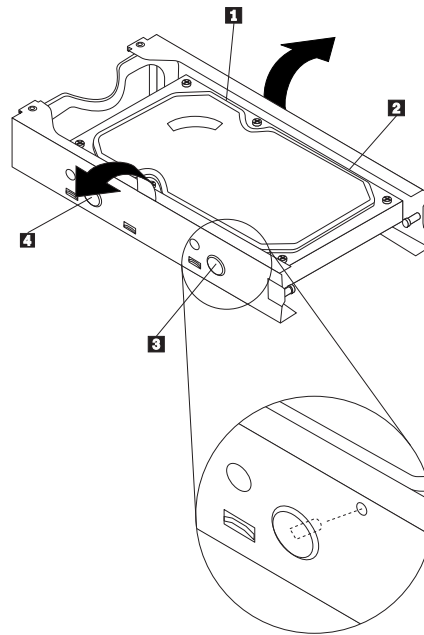


Figure 53. Removing the hard disk drive from the bracket

7. To install a new hard disk drive into the bracket, flex the bracket and align pin **1**, pin **2**, pin **3**, and pin **4** on the bracket with the holes in the hard disk drive.

Important: Do not touch the circuit board on the bottom of the hard disk drive.

8. Connect the signal cable and the power cable to the new hard disk drive.
9. Install the new hard disk drive and bracket into the rear retainer and rotate down until the two clips on the blue handle of the hard disk drive bracket snap into position.
10. Go to “Completing the FRU replacement” on page 155.

Replacing the optical drive

Attention

Do not open your computer or attempt any repair before reading and understanding the “Important safety information” in the *ThinkCentre Safety and Warranty Guide* that came with your computer. To obtain a copy of the *ThinkCentre Safety and Warranty Guide*, go to: <http://www.lenovo.com/support>

This section provides instructions on how to replace the optical drive.

To replace the optical drive:

1. Open the computer cover. See “Opening the computer cover” on page 126.
2. Pivot the drive bay assembly upward to gain access to the optical drive. See “Accessing the system board components and drives” on page 127.

3. Disconnect the signal cable and the power cable from the rear of the optical drive.
4. Press the optical drive lock **1** and slide the optical drive out the rear of the drive bay assembly.

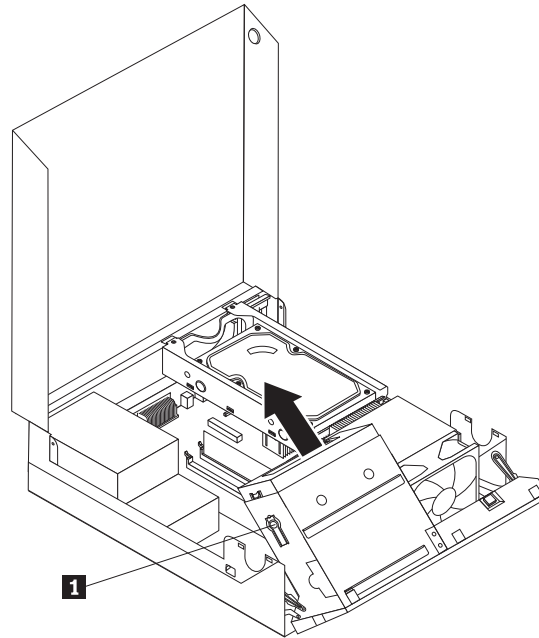


Figure 54. Removing the old optical drive

5. Remove the optical drive retainer from the old optical drive and then install it on the left side of the new optical drive.

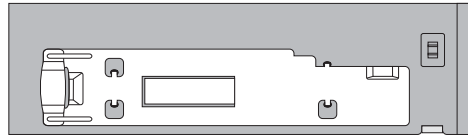


Figure 55. Installing the retainer

6. Slide the new optical drive into the bay until it snaps into position.

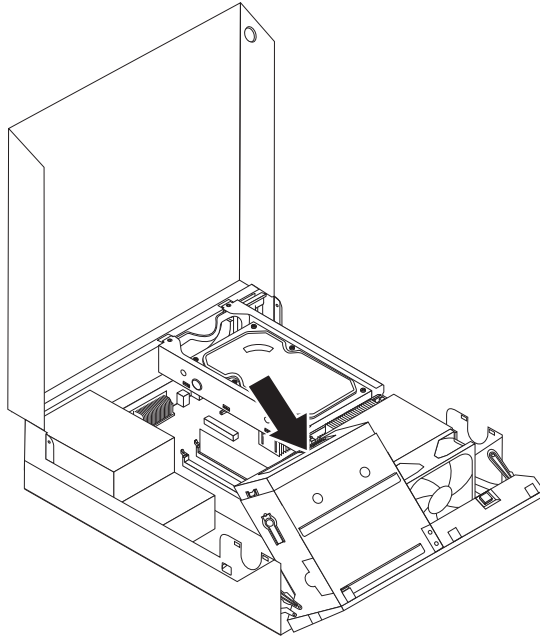


Figure 56. Installing the new optical drive

7. Connect the signal and power cables to the rear of the optical drive.
8. Go to “Completing the FRU replacement” on page 155.

Replacing the power supply assembly

Attention

Do not open your computer or attempt any repair before reading and understanding the "Important safety information" in the *ThinkCentre Safety and Warranty Guide* that came with your computer. To obtain a copy of the *ThinkCentre Safety and Warranty Guide*, go to: <http://www.lenovo.com/support>

This section provides instructions on how to replace the power supply assembly.

To replace the power supply assembly:

1. Remove the four screws at the rear of the chassis that secure the power supply assembly.

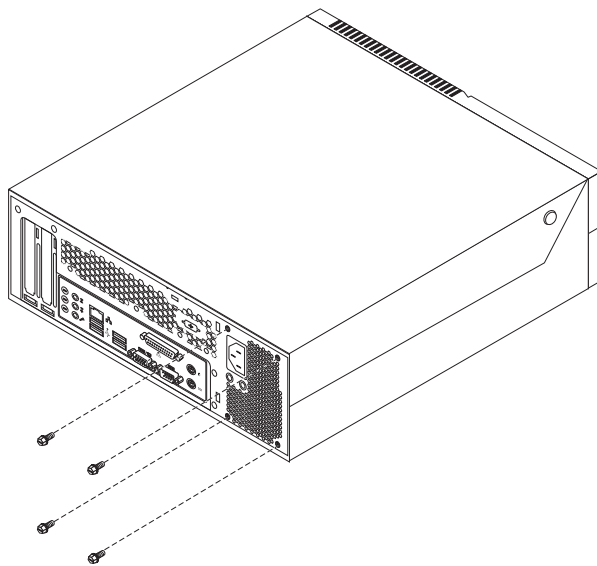


Figure 57. Removing the retaining screws for the power supply assembly

2. Open the computer cover. See "Opening the computer cover" on page 126.
3. Pivot the drive bay assembly upward to gain access to the power supply assembly.
4. Locate the power supply assembly. See "Locating components" on page 128.

5. Disconnect the power supply assembly cables from all drives and from the power connectors **1** and **2**.

Note: You might need to remove the hard disk drive to gain easy access to the power connector **1**. See “Replacing the hard disk drive” on page 136.

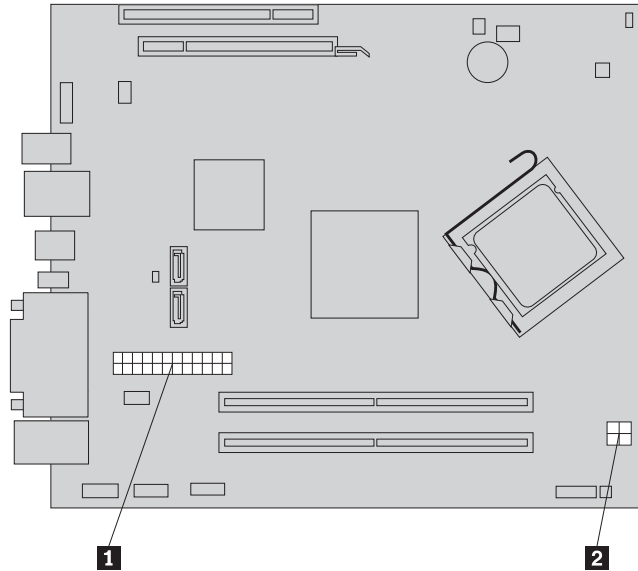


Figure 58. Power connectors on the system board

6. Remove the power supply assembly cables from the cable clips and ties.
7. Slide the power supply assembly away from the chassis and remove it from the computer.

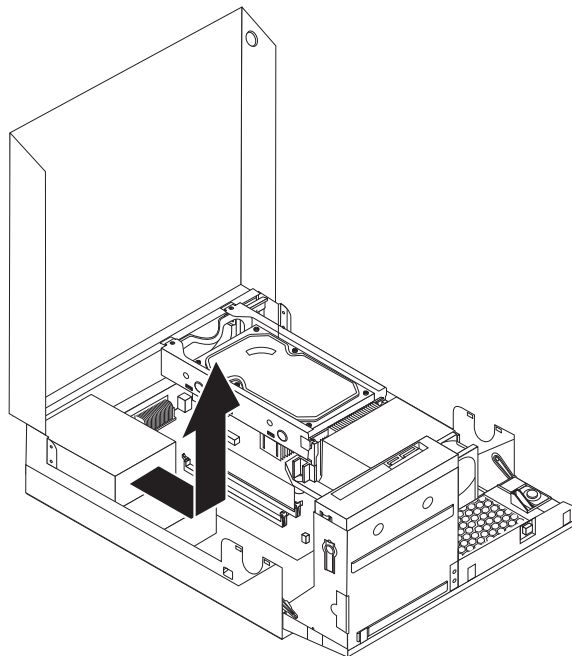


Figure 59. Removing the power supply assembly

8. Install the new power supply assembly into the chassis so that the screw holes in the new power supply assembly align with those in the chassis.
9. Install and tighten the four screws at the rear of the chassis to secure the power supply assembly.

Note: Use only the screws provided by Lenovo.

10. Reconnect all the power supply assembly cables to the drives and the system board.
11. Go to “Completing the FRU replacement” on page 155.

Replacing the heat sink and fan assembly

Attention

Do not open your computer or attempt any repair before reading and understanding the “Important safety information” in the *ThinkCentre Safety and Warranty Guide* that came with your computer. To obtain a copy of the *ThinkCentre Safety and Warranty Guide*, go to: <http://www.lenovo.com/support>

This section provides instructions on how to replace the heat sink and fan assembly.

CAUTION:



The heat sink and fan assembly might be very hot. Turn off the computer and wait three to five minutes to let the computer cool before opening the computer cover.

This section provides instructions on how to replace the heat sink and fan assembly.

To replace the heat sink and fan assembly:

1. Open the computer cover. See “Opening the computer cover” on page 126.
2. Pivot the drive bay assembly upward to gain access to the heat sink and fan assembly. See “Accessing the system board components and drives” on page 127.
3. Locate the heat sink and fan assembly and disconnect the heat sink and fan assembly cable from the microprocessor fan connector on the system board. See “Locating parts on the system board” on page 129.

4. Remove the heat sink and fan assembly from the system board by pivoting the lever **1** that secures the heat sink and fan assembly until it is fully in the up position. Carefully lift the heat sink and fan assembly off the system board.

Notes:

- a. You might have to gently twist the heat sink and fan assembly to free it from the microprocessor.
- b. Do not touch the thermal grease while handling the heat sink and fan assembly.

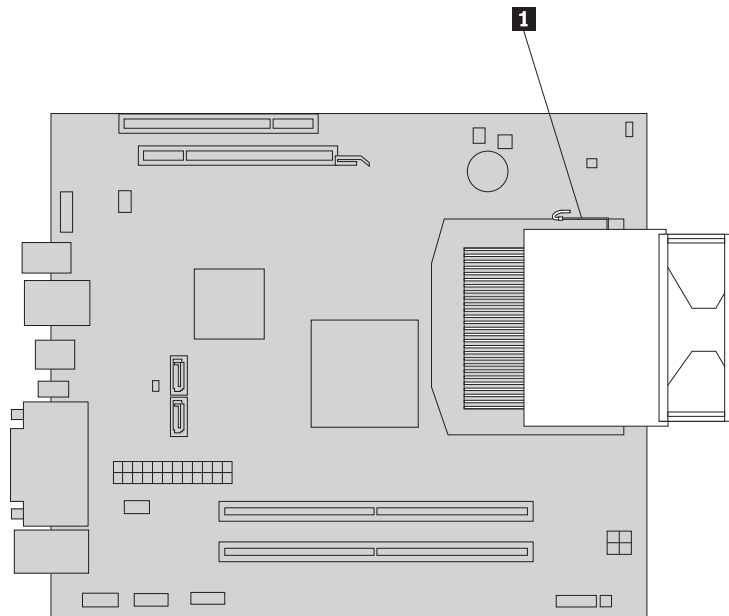


Figure 60. Removing the heat sink and fan assembly

5. Place the new heat sink and fan assembly into position and lower the lever to secure the new heat sink and fan assembly.
6. Connect the new heat sink and fan assembly cable to the microprocessor fan connector on the system board.
7. Go to “Completing the FRU replacement” on page 155.

Replacing the microprocessor

Attention

Do not open your computer or attempt any repair before reading and understanding the "Important safety information" in the *ThinkCentre Safety and Warranty Guide* that came with your computer. To obtain a copy of the *ThinkCentre Safety and Warranty Guide*, go to: <http://www.lenovo.com/support>

This section provides instructions on how to replace the microprocessor.

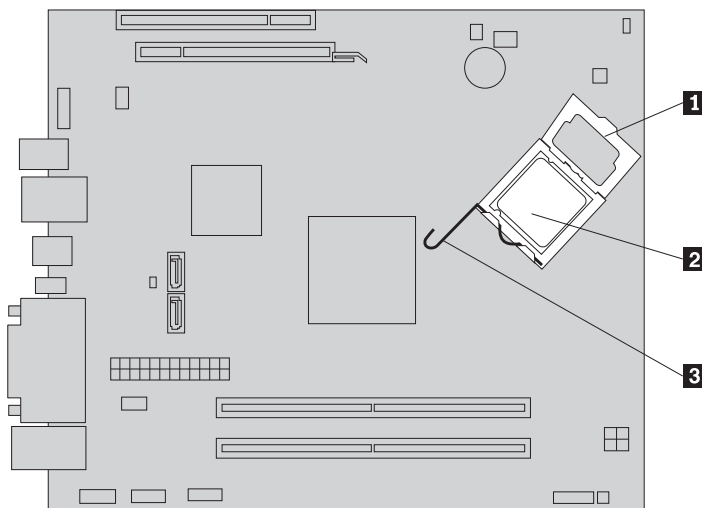
CAUTION:



The heat sink and microprocessor might be very hot. Turn off the computer and wait three to five minutes to let the computer cool before opening the computer cover.

To replace the microprocessor:

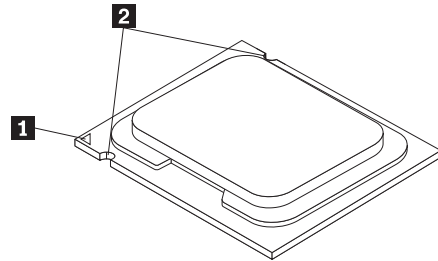
1. Open the computer cover. See "Opening the computer cover" on page 126.
2. Pivot the drive bay assembly upward to gain access to the system board. See "Accessing the system board components and drives" on page 127.
3. Locate the heat sink and fan assembly and disconnect the heat sink and fan assembly cable from the microprocessor fan connector on the system board. See "Locating parts on the system board" on page 129.
4. Remove the heat sink and fan assembly. See "Replacing the heat sink and fan assembly" on page 142.
5. Place the heat sink and fan assembly on its side so that the thermal grease does not come in contact with anything.
6. Remove the hard disk drive. See "Replacing the hard disk drive" on page 136.
7. Lift the small handle **3** and open the retainer **1** to access the microprocessor **2**.



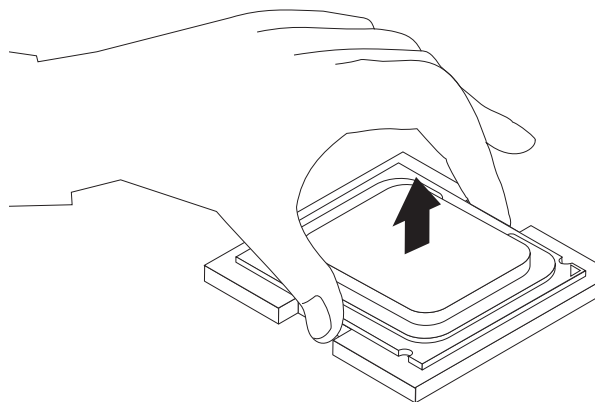
8. Lift the microprocessor straight up and out of the socket.

Notes:

- a. Your microprocessor and socket might look different from the one illustrated.
- b. Note the orientation of the microprocessor in the socket. You can either look for the small triangle **1** on one corner of the microprocessor or note the orientation of the notches **2** on the microprocessor. This is important when installing the new microprocessor on the system board.

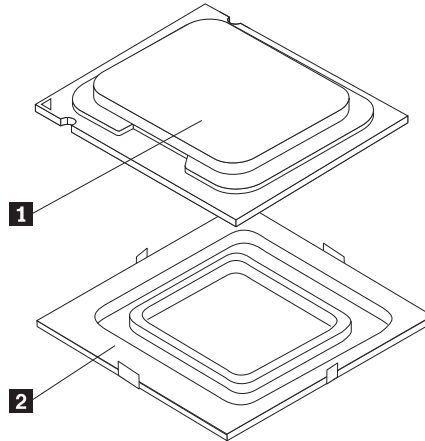


- c. Touch only the sides of the microprocessor. Do not touch the gold contacts on the bottom.
- d. Do not drop anything onto the microprocessor socket while it is exposed. The socket pins must be kept as clean as possible.



9. Make sure that the small handle is in the raised position.

10. Remove the protective cover **2** that protects the gold contacts on the new microprocessor **1**.



11. Hold the new microprocessor and align the notches on it with the tabs in the microprocessor socket, or align the small triangle on one corner with the corresponding beveled corner of the microprocessor socket.
12. Lower the new microprocessor straight down into the microprocessor socket on the system board.
13. Close the microprocessor retainer and lock it into position with the small handle to secure the new microprocessor in the socket.
14. Reinstall the hard disk drive. See “Replacing the hard disk drive” on page 136.
15. Reinstall the heat sink and fan assembly. See “Replacing the heat sink and fan assembly” on page 142.
16. Reconnect the heat sink and fan assembly cable to the microprocessor fan connector on the system board.
17. Go to “Completing the FRU replacement” on page 155.

Replacing the system board

Attention

Do not open your computer or attempt any repair before reading and understanding the "Important safety information" in the *ThinkCentre Safety and Warranty Guide* that came with your computer. To obtain a copy of the *ThinkCentre Safety and Warranty Guide*, go to: <http://www.lenovo.com/support>

This section provides instructions on how to replace the system board.

CAUTION:



The heat sink and microprocessor might be very hot. Turn off the computer and wait three to five minutes to let the computer cool before opening the computer cover.

To replace the system board:

1. Open the computer cover. See "Opening the computer cover" on page 126.
2. Pivot the drive bay assembly upward to gain access to the system board. See "Accessing the system board components and drives" on page 127.
3. Remove the hard disk drive. See "Replacing the hard disk drive" on page 136.
4. Remove all memory modules and adapter cards that are currently installed. See "Installing or replacing a memory module" on page 130 and "Installing or replacing an adapter card" on page 132.
5. Carefully take note of the cable routing and the location of all cable connectors on the system board, and then disconnect all the cables. See "Locating parts on the system board" on page 129.
6. Remove the heat sink and fan assembly from the failing system board. See "Replacing the heat sink and fan assembly" on page 142.
7. Remove the heat sink and fan assembly retainer by releasing the four screws that secure the retainer on the system board, and then lifting the retainer off the system board.
8. Carefully slide the system board toward the front of the chassis so that it can be released from the four mounting studs that secure the system board in place, and then lift the system board out of the chassis.
9. Remove the microprocessor socket cover from the new system board.
10. Remove the microprocessor from the failing system board and install it on the new system board. See "Replacing the microprocessor" on page 144.
11. The failing system board must be returned with a microprocessor socket cover to protect the pins during shipping and handling. Install the microprocessor socket cover removed from the new system board on the failing system board.
To install the microprocessor socket cover:
 - a. Make sure the microprocessor has been removed from the microprocessor socket, and then close the microprocessor retainer and lock it into position with the small handle.

- b. Insert the tabs **1** of the socket cover into the hinged side of the socket, and then press the other side of the socket cover downward until the tabs **2** snap into position.

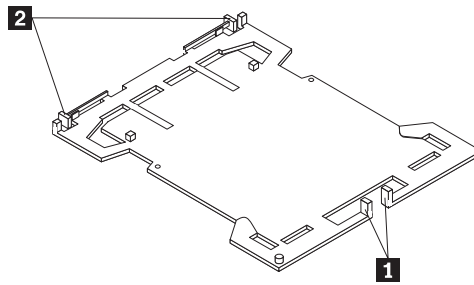


Figure 61. Tabs on the microprocessor socket cover (bottom view)

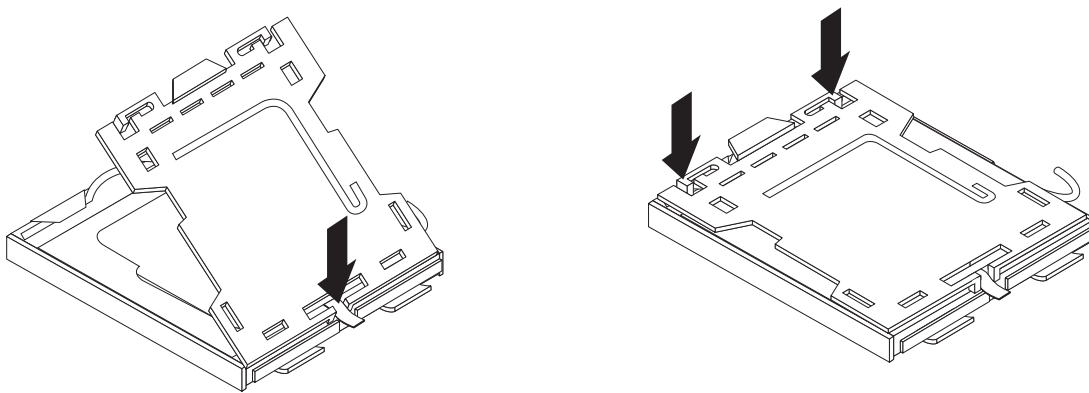


Figure 62. Installing the microprocessor socket cover

12. Install the new system board into the chassis by aligning the four mounting studs in the chassis with the corresponding holes on the new system board, and then carefully slide the new system board in to the chassis until it is secured in place by the four mounting studs.
13. Install the heat sink and fan assembly retainer by aligning the four screw holes on the retainer with the corresponding holes on the new system board, and then tighten the screws to secure the retainer on the new system board.
14. Install the heat sink and fan assembly on the new system board. See “Replacing the heat sink and fan assembly” on page 142. And connect the heat sink and fan assembly cable to the new system board. See “Locating parts on the system board” on page 129.
15. Install all memory modules and adapter cards removed from the failing system board on the new system board.
16. Reinstall the hard disk drive. See “Replacing the hard disk drive” on page 136.
17. Reconnect the power and signal cables to the hard disk drive.
18. Reconnect all remaining cables to the new system board. See “Locating parts on the system board” on page 129.
19. Go to “Completing the FRU replacement” on page 155.

Replacing the card reader

Attention

Do not open your computer or attempt any repair before reading and understanding the “Important safety information” in the *ThinkCentre Safety and Warranty Guide* that came with your computer. To obtain a copy of the *ThinkCentre Safety and Warranty Guide*, go to: <http://www.lenovo.com/support>

This section provides instructions on how to replace the card reader.

To replace the card reader, do the following:

1. Open the computer cover. See “Opening the computer cover” on page 126.
2. Pivot the drive bay assembly upward to gain access to the card reader. See “Accessing the system board components and drives” on page 127.
3. Locate the card reader.
4. Disconnect the card reader cable from the front USB connector on the system board. See “Locating parts on the system board” on page 129.

Note: Make sure you note the location and routing of the cable when you disconnect the cable from the connector on the system board.

5. Remove the screw that secures the card reader to the chassis.

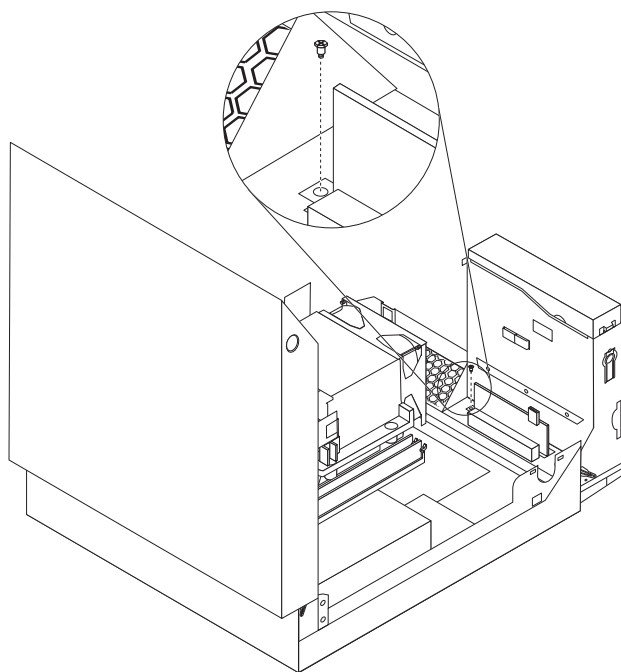


Figure 63. Removing the securing screw of the card reader

6. Remove the card reader from the chassis.
7. Install a new card reader into the chassis and align the screw hole in the new card reader with the hole in the chassis.
8. Install the screw to secure the new card reader to the chassis.
9. Reconnect the card reader cable to the system board.

10. Go to “Completing the FRU replacement” on page 155.

Replacing the front audio and USB assembly

Attention

Do not open your computer or attempt any repair before reading and understanding the “Important safety information” in the *ThinkCentre Safety and Warranty Guide* that came with your computer. To obtain a copy of the *ThinkCentre Safety and Warranty Guide*, go to: <http://www.lenovo.com/support>

This section provides instructions on how to replace the front audio and USB assembly.

To replace the front audio and USB assembly, do the following:

1. Open the computer cover. See “Opening the computer cover” on page 126.
2. Pivot the drive bay assembly upward to gain access to the front audio and USB assembly. See “Accessing the system board components and drives” on page 127.
3. Locate the front audio and USB assembly.
4. Remove the hard disk drive to gain access to the front audio connector on the system board. See “Replacing the hard disk drive” on page 136.
5. Disconnect the front audio and USB assembly cables from the front audio connector and the front USB connector on the system board. See “Locating parts on the system board” on page 129.

Note: Make sure you note the location and routing of the cables when you disconnect the cables from the connectors on the system board.

6. Remove the screw that secures the front audio and USB assembly to the chassis.

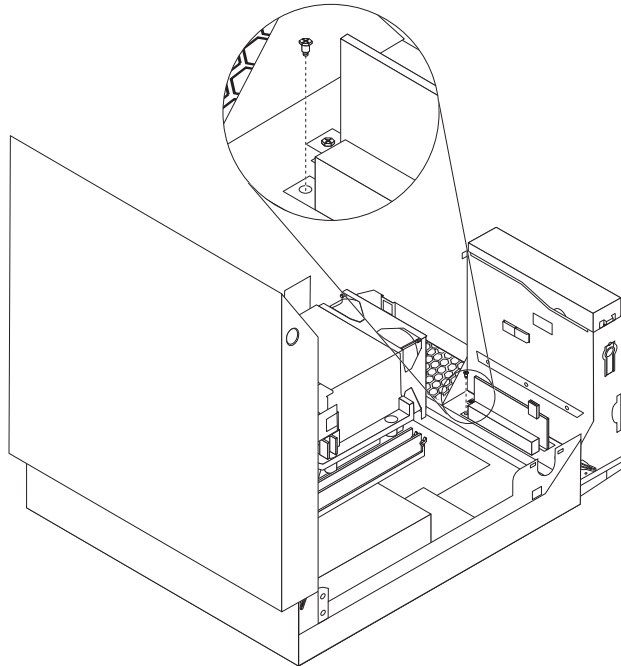


Figure 64. Removing the securing screw of the front audio and USB assembly

7. Remove the front audio and USB assembly from the chassis.
8. Install a new front audio and USB assembly into the chassis and align the screw hole in the new front audio and USB assembly with the hole in the chassis.
9. Install the screw to secure the new front audio and USB assembly to the chassis.
10. Reconnect the front audio and USB assembly cables to the front audio connector and the front USB connector on the system board.
11. Reinstall the hard disk drive. See “Replacing the hard disk drive” on page 136.
12. Go to “Completing the FRU replacement” on page 155.

Replacing the internal speaker

Attention

Do not open your computer or attempt any repair before reading and understanding the “Important safety information” in the *ThinkCentre Safety and Warranty Guide* that came with your computer. To obtain a copy of the *ThinkCentre Safety and Warranty Guide*, go to: <http://www.lenovo.com/support>

This section provides instructions on how to replace the internal speaker.

To replace the internal speaker:

1. Open the computer cover. See “Opening the computer cover” on page 126.

2. Remove the front bezel by releasing the three tabs, pivoting the front bezel outward from the top, and pulling the front bezel off the chassis.

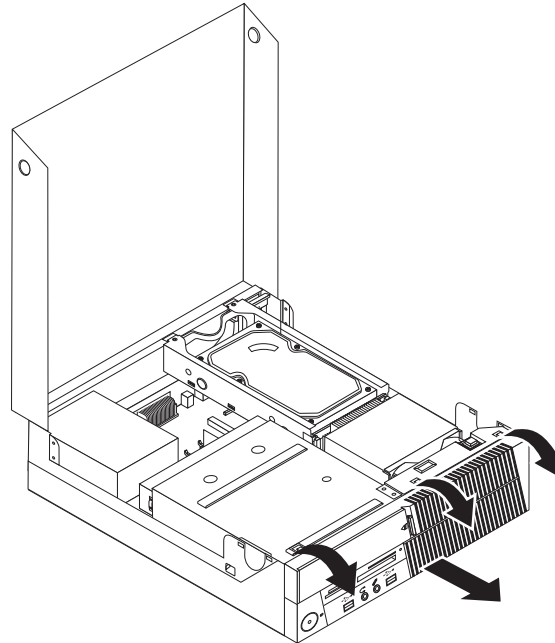


Figure 65. Removing the front bezel

3. Pivot the drive bay assembly upward to gain access to the internal speaker. See "Accessing the system board components and drives" on page 127.
4. Locate the internal speaker. See "Locating components" on page 128.
5. Disconnect the internal speaker cable and the thermal sensor cable from the internal speaker connector and the thermal sensor connector on the system board. See "Locating parts on the system board" on page 129.

6. Push the four tabs on the bottom of the internal speaker one by one as shown to release the internal speaker, and then lift the internal speaker straight up to completely remove it from the chassis.

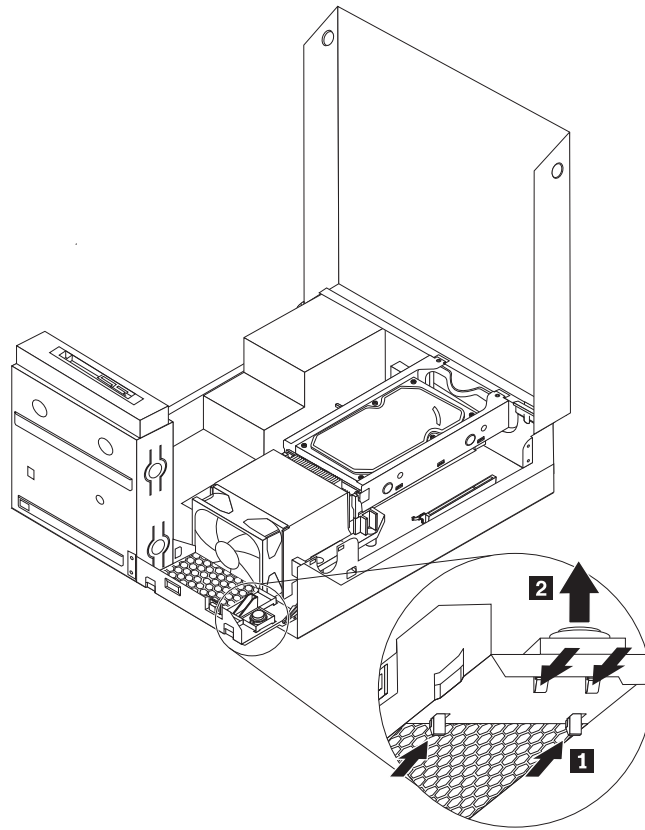


Figure 66. Removing the internal speaker

7. Remove the thermal sensor cable latched on the bottom of the old internal speaker and install it on the new internal speaker.

- Align the four tabs on the bottom of the new internal speaker with the corresponding holes in the chassis, and push the new internal speaker straight down until it snaps into position.

Note: Carefully place the thermal sensor cable so that it will not impede the installation of the new internal speaker.

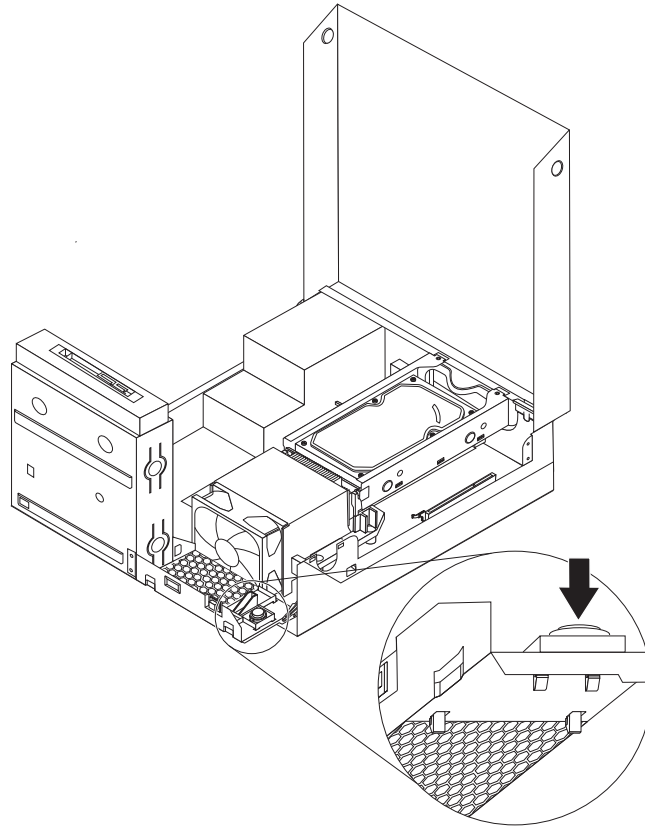


Figure 67. Installing the new internal speaker

- Reconnect the internal speaker cable and the thermal sensor cable to the system board.
- Go to “Completing the FRU replacement” on page 155.

Completing the FRU replacement

After replacing the FRUs, you need to reinstall any removed parts, reconnect and route any internal cables, close the computer cover, and reconnect any external cables, including telephone lines and power cords. Depending on the FRUs replaced, you might need to confirm the updated information in the Setup Utility program, see Chapter 6, “Using the Setup Utility program,” on page 51.

Note: When the power cord is first plugged in, the computer might appear to turn on for a few seconds and then turn off. This is a normal sequence to enable the computer to initialize.

To close the computer cover and reconnect external cables to your computer:

1. Ensure that all components have been reassembled correctly and that no tools or loose screws are left inside your computer. See “Locating components” on page 128 for the location of the various components.
2. Ensure that the internal cables are routed correctly before lowering the drive bay assembly.

Important

Correctly route all power supply cables to avoid interference with the drive bay assembly. Keep cables clear of the hinges and sides of the computer chassis.

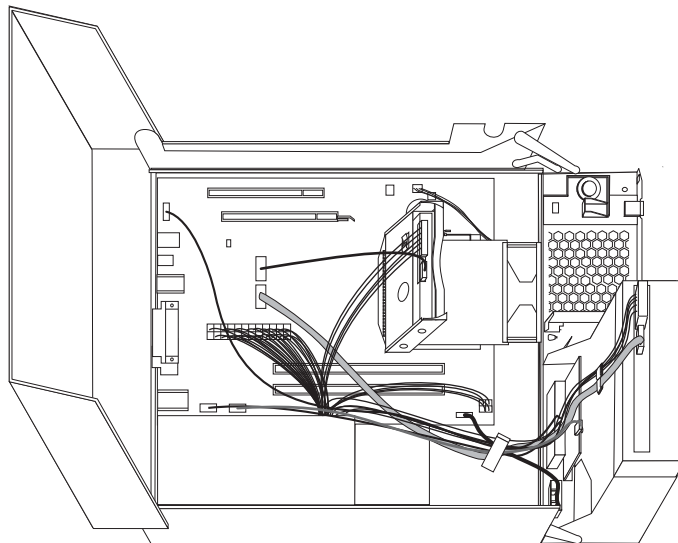


Figure 68. Cable routing

3. Lower the drive bay assembly and place the drive locks to the locked position. Otherwise, you cannot close the computer cover.
4. If you removed the front bezel, reinstall it by aligning the three tabs on the front bezel with the corresponding holes on the chassis and pivoting the front bezel inward until it snaps into position.
5. Close the computer cover.
6. If a computer cover lock is installed, lock the computer cover.

7. Reconnect the external cables and power cords to the computer. See “Locating connectors on the rear of your computer” on page 125.
8. If you have replaced the system board, you must update (flash) the BIOS. See “Updating (flashing) BIOS from a disc” on page 278.
9. Some FRU replacements require the configuration to be updated. To update your configuration, see Chapter 6, “Using the Setup Utility program,” on page 51.

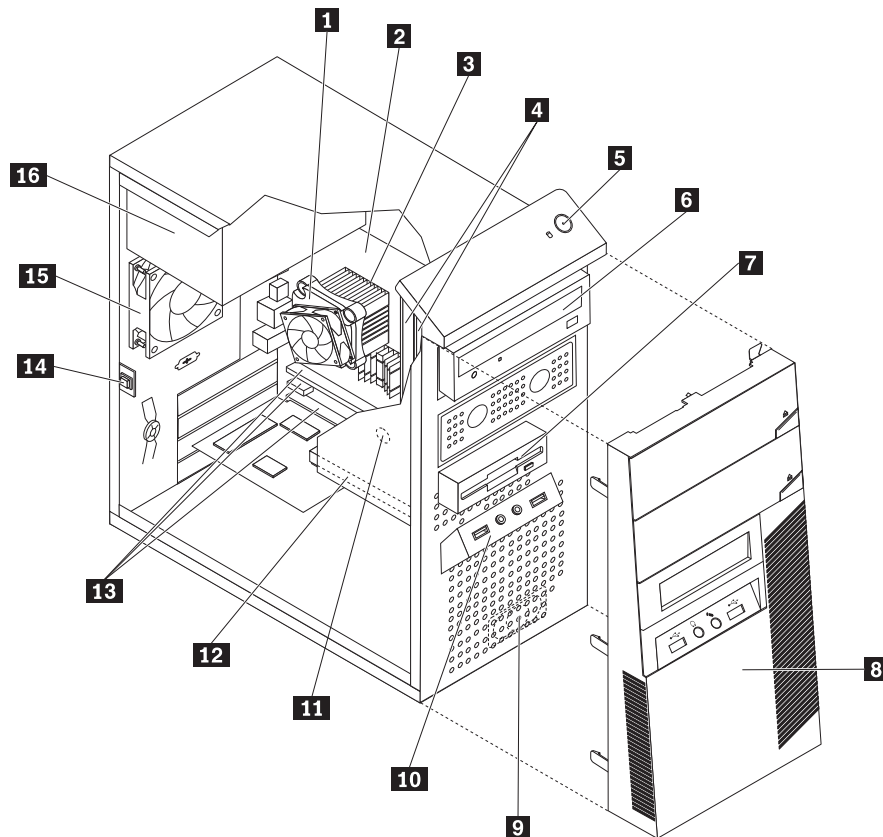
Chapter 10. FRU lists

This chapter lists the information about the FRUs for the computers.

Attention: Be sure to read and understand all the safety information before replacing any FRUs.

Note: In the following tables, a customer replaceable unit (CRU) is identified as either "1", "2", or "N" in the **CRU** column. "N" means that the part is not a CRU, "1" means that the part is a Self-service CRU, and "2" means that the part is an Optional-service CRU.

Machine type 7515



Item#	7515 FRUs	FRU#	CRU
1	Intel 95W / 65W heat sink (all models)	43N9409	2
1	Intel 65W heat sink (all models)	43N9708	2
1	Intel 65W heat sink (all models)	45K6227	2
1	Intel 95W / 65W heat sink (all models)	43N9897	2

Item#	7515 FRUs	FRU#	CRU
2	System board, Intel G41 MATX(GA) non-AMT (models H6A H6Q H6T H7M H7A H7T A8M B1M B1Q B2Q B2T B3A B5M B5Q B6Q B7Q B8M B8Q D2M D2Q D3M E6M E6A E6Q E7M E7A E7Q E8M E8A E8Q E8K E9A E9Q F1A F1Q F2M F2A F2Q F3M F3A F4M F4A F4Q F4K F5M F5A F5Q F6M F6A F6Q F6K F7M F7A F8A F8Q F9M F9A H1M H1A H2M H2A H3A H3Q 73G 73M 73A 73H 72G 74G 75G 76G 77G 78G 79G 7AG A1S A1P A1Y A4U A4F A4S A4P A4Y A5P A6S A6Y E2S E2P E2D E2Y E4S E4P E4D E4Y E5S E5P E5D E5Y D9U D9F H4U H4F H5U H5F H5M H5A H5T 7CG 7DG H8S H8Y H9S H9Y J1S J1Y J2U J2F J3U J3F J4U J4F J5U J6T J7A 7FG J8U J8F J9U J9F K1U K1F 7JG 7KG 7LG 7RG 7SG 7MG 7NG 7PG 7QG K2M K3M K4M K7J K8J K9J L1J L2U L2F K5U K5F K5S K5D K5Y K6U K6F L3Q L4S L4D L4Y L5S L5D L5Y L6S L6D L6Y L7S L7D L7Y L8S L8D L8Y L9J M1S M1Y M2S M2Y M3S M3Y)	46R8891	N
2	System board, Intel G41 MATX(GA) -NB upgrade (models H6A H6Q H6T H7M H7A H7T A8M B1M B1Q B2Q B2T B3A B5M B5Q B6Q B7Q B8M B8Q D2M D2Q D3M E6M E6A E6Q E7M E7A E7Q E8M E8A E8Q E8K E9A E9Q F1A F1Q F2M F2A F2Q F3M F3A F4M F4A F4Q F4K F5M F5A F5Q F6M F6A F6Q F6K F7M F7A F8A F8Q F9M F9A H1M H1A H2M H2A H3A H3Q 73G 73M 73A 73H 72G 74G 75G 76G 77G 78G 79G 7AG A1S A1P A1Y A4U A4F A4S A4P A4Y A5P A6S A6Y E2S E2P E2D E2Y E4S E4P E4D E4Y E5S E5P E5D E5Y D9U D9F H4U H4F H5U H5F H5M H5A H5T 7CG 7DG H8S H8Y H9S H9Y J1S J1Y J2U J2F J3U J3F J4U J4F J5U J6T J7A 7FG J8U J8F J9U J9F K1U K1F 7JG 7KG 7LG 7RG 7SG 7MG 7NG 7PG 7QG K2M K3M K4M K7J K8J K9J L1J L2U L2F K5U K5F K5S K5D K5Y K6U K6F L3Q L4S L4D L4Y L5S L5D L5Y L6S L6D L6Y L7S L7D L7Y L8S L8D L8Y L9J M1S M1Y M2S M2Y M3S M3Y)	64Y9197	N
2	System board, Intel G41 MATX -- EuP and No TCM header (models H6A H6Q H6T H7M H7A H7T A8M B1M B1Q B2Q B2T B3A B5M B5Q B6Q B7Q B8M B8Q D2M D2Q D3M E6M E6A E6Q E7M E7A E7Q E8M E8A E8Q E8K E9A E9Q F1A F1Q F2M F2A F2Q F3M F3A F4M F4A F4Q F4K F5M F5A F5Q F6M F6A F6Q F6K F7M F7A F8A F8Q F9M F9A H1M H1A H2M H2A H3A H3Q 73G 73M 73A 73H 72G 74G 75G 76G 77G 78G 79G 7AG A1S A1P A1Y A4U A4F A4S A4P A4Y A5P A6S A6Y E2S E2P E2D E2Y E4S E4P E4D E4Y E5S E5P E5D E5Y D9U D9F H4U H4F H5U H5F H5M H5A H5T 7CG 7DG H8S H8Y H9S H9Y J1S J1Y J2U J2F J3U J3F J4U J4F J5U J6T J7A 7FG J8U J8F J9U J9F K1U K1F 7JG 7KG 7LG 7RG 7SG 7MG 7NG 7PG 7QG K2M K3M K4M K7J K8J K9J L1J L2U L2F K5U K5F K5S K5D K5Y K6U K6F L3Q L4S L4D L4Y L5S L5D L5Y L6S L6D L6Y L7S L7D L7Y L8S L8D L8Y L9J M1S M1Y M2S M2Y M3S M3Y)	71Y6838	N
3	Microprocessor, E7400 2.8GHZ 1066M 3M R0 (ViiV, EIST, EM64T, EDB) 65W (models F4M F4A F4Q F4K F5M F5A F5Q F6M F6A F6Q F6K F7M F7A F8A F8Q 72G 74G E5S E5P E5D E5Y 7CG 7DG)	53Y6653	N
3	Microprocessor, E7500 2.93GHZ 1066M 3M R0 (ViiV, EIST, EM64T, EDB) 65W (models F9M F9A H1M H1A H2M H2A H3A H3Q K1U K1F 7JG 7KG 7QG L5S L5D L5Y L6S L6D L6Y L9J M3S M3Y)	53Y6654	N
3	Microprocessor, E5300 2.6GHZ 800MHz 2MB R0 (EIST, EM64T, EDB) 65W (models E8M E8A E8Q E8K E9A E9Q F2M F2A F2Q F3M F3A J8U J8F J9U J9F 7RG 7SG 7MG 7NG 7PG L3Q M1S M1Y M2S M2Y)	53Y9049	N
3	Microprocessor, E1500 2.2GHz 800MHz 512KB (EIST, EM64T, EDB) M0 65W (models)	53Y9051	N
3	Microprocessor, Q8300 Yorkfield 2.5GHZ, 1333MHz, 4M R-0 (ViiV, EIST, EM64T, EDB) 95W (models)	53Y6656	N
3	Microprocessor, E8600 3.33GHZ/1333MHZ/6M E0 65W (models)	46R8640	N
3	Microprocessor, E8500 3.16GHz 1333MHz FSB 6M C-0 65W (models D2M D2Q)	45C7735	N
3	Microprocessor, E8400 3.0GHz 1333MHz FSB 6M C-0 65W (models 91C 91J B7Q B8M B8Q 73G 73M 73A 73H 77G 78G A5P A6S A6Y E2S E2P E2D E2Y)	45C7736	N
3	Microprocessor, E8300 2.83GHz 1333MHz FSB 6M C-0 65W (models)	45C7737	N

Item#	7515 FRUs	FRU#	CRU
3	Microprocessor, E7200 2.53GHz 1066MHz FSB 3M M-0 65W (models)	45R8337	N
3	Microprocessor, E7300 2.66GHz 1066MHz FSB 3M M-0 65W (models B3A B5M B5Q B6Q E6M E6A E6Q E7M E7A E7Q F1A F1Q A4U A4F A4S A4P A4Y)	46R1622	N
3	Microprocessor, E2200 Conroe-L 2.2GHz 800MHz FSB 1M (models)	45C5349	N
3	Microprocessor, E2220 Conroe-L 2.4GHz 800MHz FSB 1M (models)	45C1774	N
3	Microprocessor, E5200 2.5G 800MHz 2M M-0 65W, 45nm (models H6A H6Q H6T H7M H7A H7T B1M B1Q B2Q B2T 79G 7AG E4S E4P E4D E4Y D9U D9F H4U H4F H5U H5F H5M H5A H5T J2U J2F J4U J4F J5U 7FG 7LG)	46R9512	N
3	Microprocessor, E1600 2.4GHZ/800MHZ/512K - NPI M-0 65W (models)	46R1655	N
3	Microprocessor, E1400 2.0GHz 800MHz FSB 512K - NPI M-0 65W (models 75G 76G J3U J3F)	45R8339	N
3	Microprocessor, Cel-440 Conroe-L 2.0GHz 800MHz FSB 512K (models)	43C1965	N
3	Microprocessor, Cel-450 2.2GHz 800MHz FSB 512K 35W (models)	46R9514	N
3	Microprocessor, Q9650 3.0GHZ 1333FSB 12MB VT, TXT E-0 95W (models)	46R8642	N
3	Microprocessor, Q9400 2.66GHZ 1333FSB 6MB VT, TXT R-0 95W (models)	46R8644	N
3	Microprocessor, Q8200 2.33GHz 1333FSB 4M M-1 95W (models D3M H8S H8Y H9S H9Y J1S J1Y)	46R9516	N
3	Microprocessor, Q9550 2.83GHZ 1333FSB 12M C-1 95W (models)	45C7739	N
3	Microprocessor, Q9450 Yorkfield 2.66GHZ 1333FSB 12M C-1 95W (models)	45C7740	N
3	Microprocessor, Q9300 Yorkfield 2.50GHZ 1333FSB 6M M-1 95W (models)	45C7741	N
3	Microprocessor, E5400 2.7G 800MHz 2MB 65W Non-vPro SKU (models J6T J7A)	64Y1075	N
3	Microprocessor, E7600 3.06GHZ 1066M 3M 65W (models)	71Y3486	N
3	Microprocessor, Q8400 2.66GHZ,1333MHz,4M 95W (models K2M K7J K8J L7S L7D L7Y L8S L8D L8Y)	71Y3488	N
3	Microprocessor, E6300 2.8G 1066MHz-2MB 65W (models K5U K5F K5S K5D K5Y K6U K6F L4S L4D L4Y)	71Y3484	N
3	Microprocessor, E6500 2.93GHZ 1066 MHz-2MB 65W R0 (models)	71Y6250	N
3	Microprocessor, E3300 2.5GHZ 800 MHz-1MB 65W R0 (models)	71Y6252	N
3	Microprocessor, E3200 2.4GHZ 800 MHz-1MB 65W R0 (models)	71Y6251	N
4	Memory module, 512MB PC2-5300 (667MHz) DDR2 SDRAM (models)	41X4255	1
4	Memory module, 1GB PC2-5300 (667MHz) DDR2 SDRAM (models)	41X4256	1
4	Memory module, 2GB PC2-5300 (667MHz) DDR2 SDRAM (models)	41X4257	1
4	Memory module, 512MB PC2-6400 (800MHz) DDR2 SDRAM (models H4U H4F)	41X1079	1
4	Memory module, 1GB PC2-6400 (667MHz) DDR2 SDRAM (models H6A H6Q H6T H7M H7A H7T A8M B1M B1Q B2Q B2T B3A B5M B5Q B6Q B7Q E6M E6A E6Q E7M E7A E7Q E8M E8A E8Q E8K E9A E9Q F1A F1Q F2M F2A F2Q F4M F4A F4Q F4K F5M F5A F5Q F6M F6A F6Q F6K F8A F8Q F9M F9A H1M H1A H3A H3Q A1S A1P A1Y E4S E4P E4D E4Y H5U H5F H5M H5A H5T H8S H8Y H9S H9Y J3U J3F J6T J7A 7FG 7LG 7MG 7NG 7PG L1J L2U L2F L4S L4D L4Y L6S L6D L6Y L7S L7D L7Y M1S M1Y)	41X1080	1
4	Memory module, 2GB PC2-6400 (667MHz) DDR2 SDRAM (models B8M B8Q D2M D2Q D3M F3M F3A F7M F7A H2M H2A 73G 73M 73A 73H 72G 74G 75G 76G 77G 78G 79G 7AG A4U A4F A4S A4P A4Y A5P A6S A6Y E2S E2P E2D E2Y E5S E5P E5D E5Y D9U D9F 7CG 7DG J1S J1Y J2U J2F J4U J4F J5U J8U J8F J9U J9F K1U K1F 7JG 7KG 7RG 7QG K2M K3M K4M K7J K8J K9J K5U K5F K5S K5D K5Y K6U K6F L3Q L5S L5D L5Y L8S L8D L8Y L9J M2S M2Y M3S M3Y)	41X1081	1

Item#	7515 FRUs	FRU#	CRU
6	Optical drive, DVD-ROM Drive - 16x/48x - SATA - for Windows 7 (models 91C 91J A8M B3A B6Q H4U H4F J2U J2F 7FG 7LG L3Q)	71Y5543	1
6	Optical drive, DVD Recordable Rambo 8 - SATA 12XRAM Write - for Windows 7 (models H6A H6Q H6T H7M H7A H7T B1M B1Q B2Q B2T B5M B5Q B7Q B8M B8Q D2M D2Q D3M E6M E6A E6Q E7M E7A E7Q E8M E8A E8Q E8K E9A E9Q F1A F1Q F2M F2A F2Q F3M F3A F4M F4A F4Q F4K F5M F5A F5Q F6M F6A F6Q F6K F7M F7A F8A F8Q F9M F9A H1M H1A H2M H2A H3A H3Q 73G 73M 73A 73H 72G 74G 75G 76G 77G 78G 79G 7AG A4U A4F A4S A4P A4Y A5P A6S A6Y E2S E2P E2D E2Y E4S E4P E4D E4Y E5S E5P E5D E5Y D9U D9F H5U H5F H5M H5A H5T 7CG 7DG H8S H8Y H9S H9Y J1S J1Y J3U J3F J4U J4F J5U J6T J7A J8U J8F J9U J9F K1U K1F 7JG 7KG 7RG 7SG 7QG K2M K3M K4M K7J K8J K9J L1J L2U L2F K5U K5F K5S K5D K5Y K6U K6F L4S L4D L4Y L5S L5D L5Y L6S L6D L6Y L7S L7D L7Y L8S L8D L8Y L9J M1S M1Y M2S M2Y M3S M3Y)	71Y5545	1
6	Optical drive, Blu-ray Recordable / DVD Super Multi - for Windows 7 (models)	71Y5547	1
7	Diskette drive, 3.5" 1.44MB 2 Mode FDD with Bezel and cable (models)	40Y9107	1
7	Diskette drive, 3.5" 1.44MB 2 Mode FDD with Bezel and cable (models)	40Y9105	1
8	Front bezel assembly (all models)	43N9662	1
8	Front bezel with ODD door assembly (all models)	43N9694	2
9	Internal speaker 400mm -- Optional (all models)	43N9091	2
11	Battery 3V - Lithium (models H6A H6Q H6T H7M H7A H7T A8M B1M B1Q B2Q B2T B3A B5M B5Q B6Q B7Q B8M B8Q D2M D2Q D3M E6M E6A E6Q E7M E7A E7Q E8M E8A E8Q E8K E9A E9Q F1A F1Q F2M F2A F2Q F3M F3A F4M F4A F4Q F4K F5M F5A F5Q F6M F6A F6Q F6K F7M F7A F8A F8Q F9M F9A H1M H1A H2M H2A H3A H3Q 73G 73M 73A 73H 72G 74G 75G 76G 77G 78G 79G 7AG A1S A1P A1Y A4U A4F A4S A4P A4Y A5P A6S A6Y E2S E2P E2D E2Y E4S E4P E4D E4Y E5S E5P E5D E5Y D9U D9F H4U H4F H5U H5F H5M H5A H5T 7CG 7DG H8S H8Y H9S H9Y J1S J1Y J2U J2F J3U J3F J4U J4F J5U J6T J7A 7FG J8U J8F J9U J9F K1U K1F 7JG 7KG 7LG 7RG 7SG 7MG 7NG 7PG 7QG K2M K3M K4M K7J K8J K9J L1J L2U L2F K5U K5F K5S K5D K5Y K6U K6F L3Q L4S L4D L4Y L5S L5D L5Y L6S L6D L6Y L7S L7D L7Y L8S L8D L8Y L9J M1S M1Y M2S M2Y M3S M3Y)	45C1566	1
12	Hard disk drive, SATA 160GB 7200RPM/3Gb/8MB (models 91C 91J H6A H6Q H6T A8M B3A E6M E6A E6Q E7M E7A E7Q E8M E8A E8Q E8K E9A E9Q F1A F1Q F2M F2A F2Q F4M F4A F4Q F4K F5M F5A F5Q F8A F8Q F9M F9A H3A H3Q 73G 73M 73A 73H 75G 76G A1S A1P A1Y A4U A4F A4S A4P A4Y A5P E2S E2P E2D E2Y E4S E4P E4D E4Y E5S E5P E5D E5Y D9U D9F H4U H4F H5U H5F H5M H5A H5T H8S H8Y J2U J2F J3U J3F J4U J4F J8U J8F)	40Y9035	1
12	Hard disk drive, SATA 250GB 7200RPM/3Gb/8MB (models H7M H7A H7T B1M B1Q B2Q B2T B5M B5Q B6Q B7Q B8M B8Q F3M F3A F6M F6A F6Q F6K F7M F7A H1M H1A H2M H2A A6S A6Y H9S H9Y J1S J1Y J5U J6T J7A 7FG J9U J9F K1U K1F 7LG 7MG 7NG 7PG L1J L2U L2F K5U K5F K5S K5D K5Y L4S L4D L4Y L5S L5D L5Y L6S L6D L6Y L7S L7D L7Y L8S L8D L8Y)	40Y9036	1
12	Hard disk drive, SATA 320GB 7200rpm SATA/8MB (models D2M D2Q D3M 72G 74G 77G 78G 79G 7AG 7CG 7DG 7JG 7KG 7RG 7SG 7QG K7J K8J K9J K6U K6F L3Q L9J M1S M1Y M2S M2Y M3S M3Y)	87H4891	1
12	Hard disk drive, SATA 500GB 7200RPM/3Gb/s/8MB (models)	41X5582	1
12	Hard disk drive, 1TB 7200rpm SATA (models)	45C5973	1
12	Hard disk drive, SATA 160GB 7200RPM/3Gb/8MB - optional (models H6A H6Q H6T A8M B3A E6M E6A E6Q E7M E7A E7Q E8M E8A E8Q E8K E9A E9Q F1A F1Q F2M F2A F2Q F4M F4A F4Q F4K F5M F5A F5Q F8A F8Q F9M F9A H3A H3Q 73G 73M 73A 73H 75G 76G A1S A1P A1Y A4U A4F A4S A4P A4Y A5P E2S E2P E2D E2Y E4S E4P E4D E4Y E5S E5P E5D E5Y D9U D9F H4U H4F H5U H5F H5M H5A H5T H8S H8Y J2U J2F J3U J3F J4U J4F J8U J8F)	53Y6837	1

Item#	7515 FRUs	FRU#	CRU
12	Hard disk drive, SATA 250GB 7200RPM/3Gb/8MB - optional (models H7M H7A H7T B1M B1Q B2Q B2T B5M B5Q B6Q B7Q B8M B8Q F3M F3A F6M F6A F6Q F6K F7M F7A H1M H1A H2M H2A A6S A6Y H9S H9Y J1S J1Y J5U J6T J7A 7FG J9U J9F K1U K1F 7LG 7MG 7NG 7PG L1J L2U L2F K5U K5F K5S K5D K5Y L4S L4D L4Y L5S L5D L5Y L6S L6D L6Y L7S L7D L7Y L8S L8D L8Y)	45K0408	1
12	Hard disk drive, SATA 320GB 7200RPM SATA/8MB - optional (models D2M D2Q D3M 72G 74G 77G 78G 79G 7AG 7CG 7DG 7JG 7KG 7RG 7SG 7QG K7J K8J K9J K6U K6F L3Q L9J M1S M1Y M2S M2Y M3S M3Y)	45K0409	1
12	Hard disk drive, SATA 500GB 7200RPM/3Gb/s/8MB - optional (models K2M K3M K4M)	45K0410	1
12	Hard disk drive, 1TB 7200RPM SATA - optional (models)	45K0412	1
12	Hard disk drive, 150G 10K RPM, SATA (models)	46R6400	1
14	Intrusion Switch Asm 475mm --Optional (all models)	39K5022	2
14	Intrusion Switch Asm (all models)	41R6116	2
15	System fan, rear (all models)	41R6269	2
16	Power supply, ATX 450W 80% power supply, Robust, WW, JP (models H6A H6Q H6T H7M H7A H7T A8M B1M B1Q B2Q B2T B3A B5M B5Q B6Q B7Q B8M B8Q D2M D2Q D3M E6M E6A E6Q E7M E7A E7Q E8M E8A E8Q E8K E9A E9Q F1A F1Q F2M F2A F2Q F3M F3A F4M F4A F4Q F4K F5M F5A F5Q F6M F6A F6Q F6K F7M F7A F8A F8Q F9M F9A H1M H1A H2M H2A H3A H3Q 73G 73M 73A 73H 72G 74G 75G 76G 77G 78G 79G 7AG A1S A1P A1Y A4U A4F A4S A4P A4Y A5P A6S A6Y E2S E2P E2D E2Y E4S E4P E4D E4Y E5S E5P E5D E5Y D9U D9F H4U H4F H5U H5F H5M H5A H5T 7CG 7DG H8S H8Y H9S H9Y J1S J1Y J2U J2F J3U J3F J4U J4F J5U J6T J7A 7FG J8U J8F J9U J9F K1U K1F 7JG 7KG 7LG 7RG 7SG 7MG 7NG 7PG 7QG K2M K3M K4M K7J K8J K9J L1J L2U L2F K5U K5F K5S K5D K5Y K6U K6F L3Q L4S L4D L4Y L5S L5D L5Y L6S L6D L6Y L7S L7D L7Y L8S L8D L8Y L9J M1S M1Y M2S M2Y M3S M3Y)	41A9721	2
16	Power supply, ATX 280W power supply, Robust, WW (models H6A H6Q H6T H7M H7A H7T A8M B1M B1Q B2Q B2T B3A B5M B5Q B6Q B7Q B8M B8Q D2M D2Q D3M E6M E6A E6Q E7M E7A E7Q E8M E8A E8Q E8K E9A E9Q F1A F1Q F2M F2A F2Q F3M F3A F4M F4A F4Q F4K F5M F5A F5Q F6M F6A F6Q F6K F7M F7A F8A F8Q F9M F9A H1M H1A H2M H2A H3A H3Q 73G 73M 73A 73H 72G 74G 75G 76G 77G 78G 79G 7AG A1S A1P A1Y A4U A4F A4S A4P A4Y A5P A6S A6Y E2S E2P E2D E2Y E4S E4P E4D E4Y E5S E5P E5D E5Y D9U D9F H4U H4F H5U H5F H5M H5A H5T 7CG 7DG H8S H8Y H9S H9Y J1S J1Y J2U J2F J3U J3F J4U J4F J5U J6T J7A 7FG J8U J8F J9U J9F K1U K1F 7JG 7KG 7LG 7RG 7SG 7MG 7NG 7PG 7QG K2M K3M K4M L2U L2F K5U K5F K5S K5D K5Y K6U K6F L3Q L4S L4D L4Y L5S L5D L5Y L6S L6D L6Y L7S L7D L7Y L8S L8D L8Y M1S M1Y M2S M2Y M3S M3Y)	41A9684	2
16	Power supply, ATX 280W 80% power supply, Robust, WW, JP (models H6A H6Q H6T H7M H7A H7T A8M B1M B1Q B2Q B2T B3A B5M B5Q B6Q B7Q B8M B8Q D2M D2Q D3M E6M E6A E6Q E7M E7A E7Q E8M E8A E8Q E8K E9A E9Q F1A F1Q F2M F2A F2Q F3M F3A F4M F4A F4Q F4K F5M F5A F5Q F6M F6A F6Q F6K F7M F7A F8A F8Q F9M F9A H1M H1A H2M H2A H3A H3Q 73G 73M 73A 73H 72G 74G 75G 76G 77G 78G 79G 7AG A1S A1P A1Y A4U A4F A4S A4P A4Y A5P A6S A6Y E2S E2P E2D E2Y E4S E4P E4D E4Y E5S E5P E5D E5Y D9U D9F H4U H4F H5U H5F H5M H5A H5T 7CG 7DG H8S H8Y H9S H9Y J1S J1Y J2U J2F J3U J3F J4U J4F J5U J6T J7A 7FG J8U J8F J9U J9F K1U K1F 7JG 7KG 7LG 7RG 7SG 7MG 7NG 7PG 7QG K2M K3M K4M L2U L2F K5U K5F K5S K5D K5Y K6U K6F L3Q L4S L4D L4Y L5S L5D L5Y L6S L6D L6Y L7S L7D L7Y L8S L8D L8Y L9J M1S M1Y M2S M2Y M3S M3Y)	41A9665	2

Item#	7515 FRUs	FRU#	CRU
16	Power supply, 280-watt ATX, (85plus)-WW, Robust, JP (models H6A H6Q H6T H7M H7A H7T A8M B1M B1Q B2Q B2T B3A B5M B5Q B6Q B7Q B8M B8Q D2M D2Q D3M E6M E6A E6Q E7M E7A E7Q E8M E8A E8Q E8K E9A E9Q F1A F1Q F2M F2A F2Q F3M F3A F4M F4A F4Q F4K F5M F5A F5Q F6M F6A F6Q F6K F7M F7A F8A F8Q F9M F9A H1M H1A H2M H2A H3A H3Q 73G 73M 73A 73H 72G 74G 75G 76G 77G 78G 79G 7AG A1S A1P A1Y A4U A4F A4S A4P A4Y A5P A6S A6Y E2S E2P E2D E2Y E4S E4P E4D E4Y E5S E5P E5D E5Y D9U D9F H4U H4F H5U H5F H5M H5A H5T 7CG 7DG H8S H8Y H9S H9Y J1S J1Y J2U J2F J3U J3F J4U J4F J5U J6T J7A 7FG J8U J8F J9U J9F K1U K1F 7JG 7KG 7LG 7RG 7SG 7MG 7NG 7PG 7QG K2M K3M K4M K7J K8J K9J L1J L2U L2F K5U K5F K5S K5D K5Y K6U K6F L3Q L4S L4D L4Y L5S L5D L5Y L6S L6D L6Y L7S L7D L7Y L8S L8D L8Y L9J M1S M1Y M2S M2Y M3S M3Y)	45J9431	2
16	Power supply, ATX 280W Robust; WW for EUP (models H6Q B1Q B2Q B5Q B6Q B7Q B8Q D2Q E6Q E7Q E8Q E9Q F1Q F2Q F4Q F5Q F6Q F8Q H3Q 73H K7J K8J K9J L1J L3Q L9J)	45J9436	2

The FRUs listed in the following tables are not illustrated.

7515 FRUs	FRU#	CRU
Chassis (all models)	45K6346	2
System fan, front fan used for 2X500G (all models)	43N9599	2
Shield, 5.25 EMC FOR 1st ODD Bay (all models)	41N8080	1
Cable - SATA 457 mm (RoHS) for ODD (all models)	43N9013	2
Cable - SATA, Second HDD, 120 mm, 1 latching for Device, RoHS (all models)	41R3328	2
Cable - SATA 250 mm (RoHS) for 1st HDD (all models)	43N9012	2
Second HDD Bracket Asm (all models)	41R6106	1
Temp Sense Cable (6pin 460 mm) (all models)	45J9495	2
FDD Cable (all models)	41A7182	2
FDD Cable, 310 mm (all models)	41A7147	2
I/O Shield (all models)	41N8053	2
Rear I/O Shield, ATX, 946, FOF (all models)	45K6266	2
HDD Tray (all models)	41R6291	1
ODD/FDD/Cardreader Retainers (all models)	43N9351	1
Cable Clip, FW-6D (all models)	43N9462	2
Power switch cable, 760 mm (all models)	45J9512	2
Front I_O cable_R (all models)	45J9506	2
Front I_O cable_R (all models)	45J9592	2
ODD door assembly (all models)	43N9663	1
No FDD cover assembly (all models)	43N9664	1
FDD/Cardreader cover (all models)	43N9665	1
Chassis primary HDD cage (all models)	45K6272	2
USB cover (all models)	43N9666	1
Top handle assembly (all models)	43N9667	1
3.5" Convert 2.5" for 150GB 10K rpm HDD (1st HDD bay) (all models)	43N9593	2
Thermal Grease (all models)	91P8835	N

7515 FRUs	FRU#	CRU
Rubber foot (For acoustic improvement) (all models)	45K6278	2

7515 Keyboards (Lenovo Preferred Pro USB -- without hub)	FRU#	CRU
USB FULL--US English (models H6A H6Q H7M H7A A8M B1M B1Q B2Q B3A B5M B5Q B6Q B7Q B8M B8Q D2M D2Q D3M E6M E6A E6Q E7M E7A E7Q E8M E8A E8Q E9A E9Q F1A F1Q F2M F2A F2Q F3M F3A F4M F4A F4Q F5M F5A F5Q F6M F6A F6Q F7M F7A F8A F8Q F9M F9A H1M H1A H2M H2A H3A H3Q 73G 73M 73A 73H 72G 74G 75G 76G 77G 78G 79G 7AG A4U D9U H4U H5U H5M H5A 7CG 7DG J2U J3U J4U J5U J7A 7FG J8U J9U K1U 7JG 7KG 7LG L3Q)	41A5289	1
USB FULL--Arabic (models 73G 72G 74G 75G 76G 77G 78G 79G 7AG 7CG 7DG 7FG 7JG 7KG 7LG)	41A5290	1
USB FULL--Arabic/French (models 73G 72G 74G 75G 76G 77G 78G 79G 7AG 7CG 7DG 7FG 7JG 7KG 7LG)	41A5291	1
USB FULL--Belgium French (models 73G 72G 74G 75G 76G 77G 78G 79G 7AG 7CG 7DG 7FG 7JG 7KG 7LG)	41A5292	1
USB FULL--Belgium English (models 73G 72G 74G 75G 76G 77G 78G 79G 7AG 7CG 7DG 7FG 7JG 7KG 7LG)	41A5293	1
USB FULL--Brazilian Portuguese (models A1P A4P A5P E2P E4P E5P)	41A5294	1
USB FULL--Bulgarian (models 73G 72G 74G 75G 76G 77G 78G 79G 7AG 7CG 7DG 7FG 7JG 7KG 7LG)	41A5295	1
USB FULL--Chinese/US (models)	41A5296	1
USB FULL--Czech (ABB) (models 73G 72G 74G 75G 76G 77G 78G 79G 7AG 7CG 7DG 7FG 7JG 7KG 7LG)	41A5297	1
USB FULL--Danish (models 73G 72G 74G 75G 76G 77G 78G 79G 7AG 7CG 7DG 7FG 7JG 7KG 7LG)	41A5298	1
USB FULL--Dutch (models 73G 72G 74G 75G 76G 77G 78G 79G 7AG 7CG 7DG 7FG 7JG 7KG 7LG)	41A5299	1
USB FULL--French (models 73G 72G 74G 75G 76G 77G 78G 79G 7AG 7CG 7DG 7FG 7JG 7KG 7LG)	41A5300	1
USB FULL--French Canadian (models 73G 72G 74G 75G 76G 77G 78G 79G 7AG A4F D9F H4F H5F 7CG 7DG J2F J3F J4F 7FG J8F J9F K1F 7JG 7KG 7LG 7RG 7SG 7MG 7NG 7PG 7QG L2F K5F K6F)	41A5301	1
USB FULL--French Canadian (models 73G 72G 74G 75G 76G 77G 78G 79G 7AG A4F D9F H4F H5F 7CG 7DG J2F J3F J4F 7FG J8F J9F K1F 7JG 7KG 7LG 7RG 7SG 7MG 7NG 7PG 7QG L2F K5F K6F)	41A5302	1
USB FULL--German (models 73G 72G 74G 75G 76G 77G 78G 79G 7AG 7CG 7DG 7FG 7JG 7KG 7LG)	41A5303	1
USB FULL--Greek (models 73G 72G 74G 75G 76G 77G 78G 79G 7AG 7CG 7DG 7FG 7JG 7KG 7LG)	41A5304	1
USB FULL--Greek/US (models 73G 72G 74G 75G 76G 77G 78G 79G 7AG 7CG 7DG 7FG 7JG 7KG 7LG)	41A5305	1
USB FULL--Hebrew (models 73G 72G 74G 75G 76G 77G 78G 79G 7AG 7CG 7DG 7FG 7JG 7KG 7LG)	41A5306	1
USB FULL--Hungarian (models 73G 72G 74G 75G 76G 77G 78G 79G 7AG 7CG 7DG 7FG 7JG 7KG 7LG)	41A5307	1
USB FULL--Iceland (models 73G 72G 74G 75G 76G 77G 78G 79G 7AG 7CG 7DG 7FG 7JG 7KG 7LG)	41A5308	1

7515 Keyboards (Lenovo Preferred Pro USB -- without hub)	FRU#	CRU
USB FULL--Italy (models 73G 72G 74G 75G 76G 77G 78G 79G 7AG 7CG 7DG 7FG 7JG 7KG 7LG)	41A5309	1
USB FULL--Japanese (models K7J K8J K9J L1J L9J)	41A5310	1
USB FULL--Korean (models E8K F4K F6K)	41A5311	1
USB FULL--LA Spanish (models A1S A1Y A4S A4Y A6S A6Y E2S E2D E2Y E4S E4D E4Y E5S E5D E5Y H8S H8Y H9S H9Y J1S J1Y K5S K5D K5Y L4S L4D L4Y L5S L5D L5Y L6S L6D L6Y L7S L7D L7Y L8S L8D L8Y M1S M1Y M2S M2Y M3S M3Y)	41A5312	1
USB FULL--Norwegian (models 73G 72G 74G 75G 76G 77G 78G 79G 7AG 7CG 7DG 7FG 7JG 7KG 7LG)	41A5313	1
USB FULL--Polish (models 73G 72G 74G 75G 76G 77G 78G 79G 7AG 7CG 7DG 7FG 7JG 7KG 7LG)	41A5314	1
USB FULL--Portuguese (models 73G 72G 74G 75G 76G 77G 78G 79G 7AG 7CG 7DG 7FG 7JG 7KG 7LG)	41A5315	1
USB FULL--Romanian (models 73G 72G 74G 75G 76G 77G 78G 79G 7AG 7CG 7DG 7FG 7JG 7KG 7LG)	41A5317	1
USB FULL--Romanian (models 73G 72G 74G 75G 76G 77G 78G 79G 7AG 7CG 7DG 7FG 7JG 7KG 7LG)	41A5316	1
USB FULL--Russian/Cyrillic (models 73G 72G 74G 75G 76G 77G 78G 79G 7AG 7CG 7DG 7FG 7JG 7KG 7LG)	41A5318	1
USB FULL--Serbian/Cyrillic (models 73G 72G 74G 75G 76G 77G 78G 79G 7AG 7CG 7DG 7FG 7JG 7KG 7LG)	41A5319	1
USB FULL--Slovak (models 73G 72G 74G 75G 76G 77G 78G 79G 7AG 7CG 7DG 7FG 7JG 7KG 7LG)	41A5320	1
USB FULL--Spanish (models 73G 72G 74G 75G 76G 77G 78G 79G 7AG 7CG 7DG 7FG 7JG 7KG 7LG)	41A5321	1
USB FULL--Swedish/Finnish (models 73G 72G 74G 75G 76G 77G 78G 79G 7AG 7CG 7DG 7FG 7JG 7KG 7LG)	41A5322	1
USB FULL--Swiss French/German (models 73G 72G 74G 75G 76G 77G 78G 79G 7AG 7CG 7DG 7FG 7JG 7KG 7LG)	41A5323	1
USB FULL--Thailand (models H6T H7T B2T H5T J6T)	41A5324	1
USB FULL--Turkish (models 73G 72G 74G 75G 76G 77G 78G 79G 7AG 7CG 7DG 7FG 7JG 7KG 7LG)	41A5325	1
USB FULL--Turkish (models 73G 72G 74G 75G 76G 77G 78G 79G 7AG 7CG 7DG 7FG 7JG 7KG 7LG)	41A5326	1
USB FULL --UK English (models 73G 72G 74G 75G 76G 77G 78G 79G 7AG 7CG 7DG 7FG 7JG 7KG 7LG)	41A5327	1
USB FULL--US Euro (models 73G 72G 74G 75G 76G 77G 78G 79G 7AG 7CG 7DG 7FG 7JG 7KG 7LG)	41A5328	1
USB FULL--Slovenian (models 73G 72G 74G 75G 76G 77G 78G 79G 7AG 7CG 7DG 7FG 7JG 7KG 7LG)	41A5329	1
USB FULL--Lithuanian (models 73G 72G 74G 75G 76G 77G 78G 79G 7AG 7CG 7DG 7FG 7JG 7KG 7LG)	45J4896	1
USB FULL--Estonia (models CTO)	51J0059	1

7515 Keyboards (Lenovo Fingerprint Reader USB)	FRU#	CRU
US English (models)	41R0038	1
Arabic (models)	41R0039	1

7515 Keyboards (Lenovo Fingerprint Reader USB)	FRU#	CRU
Arabic/French (models)	41R0040	1
Belgium French (models)	41R0041	1
Belgium English (models)	41R0042	1
Brazilian Portuguese (models)	41R0043	1
Bulgarian (models)	41R0044	1
Chinese/US (models)	41R0045	1
Czech (ABB) (models)	41R0046	1
Danish (models)	41R0047	1
Dutch (models)	41R0048	1
French (models)	41R0049	1
French Canadian (models)	41R0050	1
French Canadian (models)	41R0051	1
German (models)	41R0052	1
Greek (models)	41R0053	1
Greek/US (models)	41R0054	1
Hebrew (models)	41R0055	1
Hungarian (models)	41R0056	1
Iceland (models)	41R0057	1
Italian (models)	41R0058	1
Japanese (models)	41R0059	1
Korean (models)	41R0060	1
LA Spanish (models)	41R0061	1
Norwegian (models)	41R0062	1
Polish (models)	41R0063	1
Portuguese (models)	41R0064	1
Romanian (models)	41R0065	1
Romanian (models)	41R0066	1
Russian/Cyrillic (models)	41R0067	1
Serbian/Cyrillic (models)	41R0068	1
Slovak (models)	41R0069	1
Spanish (models)	41R0070	1
Swedish/Finnish (models)	41R0071	1
Swiss French/German (models)	41R0072	1
Thailand (models)	41R0073	1
Turkish (models)	41R0074	1
Turkish (models)	41R0075	1
UK English (models)	41R0076	1
US Euro (models)	41R0077	1
Slovenian (models)	41R0078	1

7515 Mice	FRU#	CRU
Optical Wheel Mouse OPT (400DPI, USB) (models H6A H6Q H6T H7M H7A H7T A8M B1M B1Q B2Q B2T B3A B5M B5Q B6Q B7Q B8M B8Q D2M D2Q D3M E6M E6A E6Q E7M E7A E7Q E8M E8A E8Q E8K E9A E9Q F1A F1Q F2M F2A F2Q F3M F3A F4M F4A F4Q F4K F5M F5A F5Q F6M F6A F6Q F6K F7M F7A F8A F8Q F9M F9A H1M H1A H2M H2A H3A H3Q 73G 73M 73A 73H 72G 74G 75G 76G 77G 78G 79G 7AG A1S A1P A1Y A4U A4F A4S A4P A4Y A5P A6S A6Y E2S E2P E2D E2Y E4S E4P E4D E4Y E5S E5P E5D E5Y D9U D9F H4U H4F H5U H5F H5M H5A H5T 7CG 7DG H8S H8Y H9S H9Y J1S J1Y J2U J2F J3U J3F J4U J4F J5U J6T J7A 7FG J8U J8F J9U J9F K1U K1F 7JG 7KG 7LG 7RG 7SG 7MG 7NG 7PG 7QG K2M K3M K4M K7J K8J K9J L1J L2U L2F K5U K5F K5S K5D K5Y K6U K6F L3Q L4S L4D L4Y L5S L5D L5Y L6S L6D L6Y L7S L7D L7Y L8S L8D L8Y L9J M1S M1Y M2S M2Y M3S M3Y)	41U3013	1
Optical Wheel Mouse OPT (400DPI, USB) (models H6A H6Q H6T H7M H7A H7T A8M B1M B1Q B2Q B2T B3A B5M B5Q B6Q B7Q B8M B8Q D2M D2Q D3M E6M E6A E6Q E7M E7A E7Q E8M E8A E8Q E8K E9A E9Q F1A F1Q F2M F2A F2Q F3M F3A F4M F4A F4Q F4K F5M F5A F5Q F6M F6A F6Q F6K F7M F7A F8A F8Q F9M F9A H1M H1A H2M H2A H3A H3Q 73G 73M 73A 73H 72G 74G 75G 76G 77G 78G 79G 7AG A1S A1P A1Y A4U A4F A4S A4P A4Y A5P A6S A6Y E2S E2P E2D E2Y E4S E4P E4D E4Y E5S E5P E5D E5Y D9U D9F H4U H4F H5U H5F H5M H5A H5T 7CG 7DG H8S H8Y H9S H9Y J1S J1Y J2U J2F J3U J3F J4U J4F J5U J6T J7A 7FG J8U J8F J9U J9F K1U K1F 7JG 7KG 7LG 7RG 7SG 7MG 7NG 7PG 7QG K2M K3M K4M K7J K8J K9J L1J L2U L2F K5U K5F K5S K5D K5Y K6U K6F L3Q L4S L4D L4Y L5S L5D L5Y L6S L6D L6Y L7S L7D L7Y L8S L8D L8Y L9J M1S M1Y M2S M2Y M3S M3Y)	41U3030	1

7515 Adapters and miscellaneous FRUs	FRU#	CRU
Internal 25 in 1 USB Memory Card Reader (models)	45R8139	1
IEEE 1394 Firewire Adapter ATX (models)	41D2781	1
Speaker power brick - US, Canada, LA low voltage, ASEAN (models A4U D9U H4U H5U J2U J3U J4U J5U J8U J9U K1U)	89P8571	1
Speaker power brick - LA high voltage (non-APU) (models)	89P8575	1
Speaker power brick - Simplified Chinese, Thailand EMEA (models 91C 73G 72G 74G 75G 76G 77G 78G 79G 7AG 7CG 7DG 7FG 7JG 7KG 7LG)	89P8581	1
Speaker power brick - Japanese (models K7J K8J K9J L1J L9J)	89P8577	1
Speaker power brick - Brazil (models)	89P8583	1
Speaker power brick - Argentina (models)	41A4901	1
Speaker power brick - ANZ (models H7M A8M B1M B5M B8M D2M D3M E6M E7M E8M F2M F3M F4M F5M F6M F7M F9M H1M H2M 73M H5M)	89P8579	1
Speaker power brick - Korea (models)	41A4903	1
Speaker power brick - Hong Kong, EMEA, Ireland (models 73G 72G 74G 75G 76G 77G 78G 79G 7AG 7CG 7DG 7FG 7JG 7KG 7LG)	89P8573	1
Speaker power brick -Taiwan-Traditional Chinese (models)	41A4905	1
Speaker power brick - India, South Africa (models H6Q B1Q B2Q B5Q B6Q B7Q B8Q D2Q E6Q E7Q E8Q E9Q F1Q F2Q F4Q F5Q F6Q F8Q H3Q L3Q)	89P8585	1
2-pc external speaker--primary (models)	41A5331	1
2-pc external speaker-secondary (models)	41A5334	1
DVI-I(M)-VGA(F) cord (models)	41R3342	1
Geforce 9500GT GDDR3 512MB - DVI+HDMI+DP (models)	46R1524	1
ATI HD3470 GDDR3 256MB - VGA+DP (models)	46R1521	1
ADD2 DVI-D Adapter, (HDCP) DVD-D connection Adapter Low Profile (Silicon Image) (models 91U 77G 78G)	43C0258	1

7515 Adapters and miscellaneous FRUs	FRU#	CRU
DisplayPort to DVI-D Dongle (models)	43N9160	1
DisplayPort to VGA Dongle (models)	45J9524	1
Modem phone cable (models)	39K5120	1
LI300mm Rear USB 2Ports II HP® (models)	42Y8005	2
LI350mm Rear Com2 cable II mini® (models)	41R8548	2
NVIDIA G100 DDR2 256MB ATX - DVI-I+VGA (models 91U CTO)	53Y9249	1
Soft Modem V.90/V.44 ATX (models)	46R4220	1

7515 Power Cords (Primary)	FRU #	CRU
Power cord - US (models H6A H6T H7A H7T B2T B3A E6A E7A E8A E9A F1A F2A F3A F4A F5A F6A F7A F8A F9A H1A H2A H3A 73A A1S A1Y A4U A4F A4S A4Y A6S A6Y E2S E2Y E4S E4Y E5S E5Y D9U D9F H4U H4F H5U H5F H5A H5T H8S H8Y H9S H9Y J1S J1Y J2U J2F J3U J3F J4U J4F J5U J6T J7A J8U J8F J9U J9F K1U K1F L2U L2F K5U K5F K5S K5Y K6U K6F L4S L4Y L5S L5Y L6S L6Y L7S L7Y L8S L8Y M1S M1Y M2S M2Y M3S M3Y)	41R3184	1
Power cord - China (models 91C)	41R3256	1
Power Cord - Japanese and Japanese English (models K7J K8J K9J L1J L9J)	41R3248	1
Power cord - Brazil (models)	41R3270	1
Power cord - Brazil - optional (models)	45J9595	1
Power cord - LA High Volt (APU) (models)	41R3176	1
Power cord - Australia / New Zealand (models)	41R3196	1
Power cord - Korea (models)	41R3260	1
Power cord - UK, Ireland, Singapore, Malaysia, Brunei, Hong Kong (models 73H)	41R3224	1
Power cord - Taiwan (models)	41R3278	1
Power cord - Italy (models)	41R3232	1
Power cord - Indonesia, Laos, Cambodia, Vietnam, Austria, Belgium, Croatia, Czechoslovakia, Finland, France, Germany, Hungary, Netherlands, Norway, Poland, Portugal, Romania, Spain, Sweden (models H6A H6T H7A H7T B2T B3A E6A E7A E8A E9A F1A F2A F3A F4A F5A F6A F7A F8A F9A H1A H2A H3A 73A A1S A1Y A4U A4F A4S A4Y A6S A6Y E2S E2Y E4S E4Y E5S E5Y D9U D9F H4U H4F H5U H5F H5A H5T H8S H8Y H9S H9Y J1S J1Y J2U J2F J3U J3F J4U J4F J5U J6T J7A J8U J8F J9U J9F K1U K1F L2U L2F K5U K5F K5S K5Y K6U K6F L4S L4Y L5S L5Y L6S L6Y L7S L7Y L8S L8Y M1S M1Y M2S M2Y M3S M3Y)	41R3208	1
Power cord - Denmark (models 73G 72G 74G 75G 76G 77G 78G 79G 7AG 7CG 7DG 7FG 7JG 7KG 7LG)	41R3212	1
Power cord - Switzerland (models 73G 72G 74G 75G 76G 77G 78G 79G 7AG 7CG 7DG 7FG 7JG 7KG 7LG)	41R3228	1
Power cord - Israel (models 73G 72G 74G 75G 76G 77G 78G 79G 7AG 7CG 7DG 7FG 7JG 7KG 7LG)	41R3236	1
Power cord - South Africa (models H6A H7M H7A A8M B1M B3A B5M B8M D2M D3M E6M E6A E7M E7A E8M E8A E9A F1A F2M F2A F3M F3A F4M F4A F5M F5A F6M F6A F7M F7A F8A F9M F9A H1M H1A H2M H2A H3A 73G 73M 73A 72G 74G 75G 76G 77G 78G 79G 7AG H5M H5A 7CG 7DG J7A 7FG 7JG 7KG)	41R3220	1
Power cord - India (models H6Q B1Q B2Q B5Q B6Q B7Q B8Q D2Q E6Q E7Q E8Q E9Q F1Q F2Q F4Q F5Q F6Q F8Q H3Q L3Q)	41R3341	1
Power cord - Thailand (models H6T H7T B2T H5T J6T)	43N9029	1

7515 Power Cords (Secondary)	FRU#	CRU
Power cord - US (models H6A H6T H7A H7T B2T B3A E6A E7A E8A E9A F1A F2A F3A F4A F5A F6A F7A F8A F9A H1A H2A H3A 73A A1S A1Y A4U A4F A4S A4Y A6S A6Y E2S E2Y E4S E4Y E5S E5Y D9U D9F H4U H4F H5U H5F H5A H5T H8S H8Y H9S H9Y J1S J1Y J2U J2F J3U J3F J4U J4F J5U J6T J7A J8U J8F J9U J9F K1U K1F L2U L2F K5U K5F K5S K5Y K6U K6F L4S L4Y L5S L5Y L6S L6Y L7S L7Y L8S L8Y M1S M1Y M2S M2Y M3S M3Y)	41R3185	1
Power cord - China (models 91C)	41R3257	1
Power Cord - Japanese and Japanese English (models K7J K8J K9J L1J L9J)	41R3249	1
Power cord - Brazil (models)	41R3271	1
Power cord - LA High Volt (APU) (models)	41R3177	1
Power cord - Australia / New Zealand (models)	41R3197	1
Power cord - Korea (models)	41R3261	1
Power cord - UK, Ireland, Singapore, Malaysia, Brunei, Hong Kong (models 73H)	41R3225	1
Power cord - Taiwan (models)	41R3279	1
Power cord - Italy (models)	41R3233	1
Power cord - Indonesia, Laos, Cambodia, Vietnam, Austria, Belgium, Croatia, Czechoslovakia, Finland, France, Germany, Hungary, Netherlands, Norway, Poland, Portugal, Romania, Spain, Sweden (models H6A H6T H7A H7T B2T B3A E6A E7A E8A E9A F1A F2A F3A F4A F5A F6A F7A F8A F9A H1A H2A H3A 73A A1S A1Y A4U A4F A4S A4Y A6S A6Y E2S E2Y E4S E4Y E5S E5Y D9U D9F H4U H4F H5U H5F H5A H5T H8S H8Y H9S H9Y J1S J1Y J2U J2F J3U J3F J4U J4F J5U J6T J7A J8U J8F J9U J9F K1U K1F L2U L2F K5U K5F K5S K5Y K6U K6F L4S L4Y L5S L5Y L6S L6Y L7S L7Y L8S L8Y M1S M1Y M2S M2Y M3S M3Y)	41R3209	1
Power cord - Denmark (models 73G 72G 74G 75G 76G 77G 78G 79G 7AG 7CG 7DG 7FG 7JG 7KG 7LG)	41R3213	1
Power cord - Switzerland (models 73G 72G 74G 75G 76G 77G 78G 79G 7AG 7CG 7DG 7FG 7JG 7KG 7LG)	41R3229	1
Power cord - Israel (models 73G 72G 74G 75G 76G 77G 78G 79G 7AG 7CG 7DG 7FG 7JG 7KG 7LG)	41R3237	1
Power cord - South Africa (models H6A H7M H7A A8M B1M B3A B5M B8M D2M D3M E6M E6A E7M E7A E8M E8A E9A F1A F2M F2A F3M F3A F4M F4A F5M F5A F6M F6A F7M F7A F8A F9M F9A H1M H1A H2M H2A H3A 73G 73M 73A 72G 74G 75G 76G 77G 78G 79G 7AG H5M H5A 7CG 7DG J7A 7FG 7JG 7KG)	41R3221	1
Power cord - India (models H6Q B1Q B2Q B5Q B6Q B7Q B8Q D2Q E6Q E7Q E8Q E9Q F1Q F2Q F4Q F5Q F6Q F8Q H3Q L3Q)	41R3175	1
Power cord - Thailand (models H6T H7T B2T H5T J6T)	43N9030	1
Power cord - Y cable for Brazil (models)	43N9044	1

7515 Windows XP Home Recovery CDs	FRU#	CRU
US English/UK/Asia Pacific (models)	TBD	1
French/French Canadian (models)	TBD	1
Greek (models)	TBD	1
Italy (models)	TBD	1
Brazilian (models)	TBD	1
Spanish/LA (models)	TBD	1
Danish (models)	TBD	1
Dutch (models)	TBD	1

7515 Windows XP Home Recovery CDs	FRU#	CRU
Arabic (models)	TBD	1
Swedish (models)	TBD	1
Hebrew (models)	TBD	1
Finnish (models)	TBD	1
Norwegian (models)	TBD	1
Polish (models)	TBD	1
Portuguese (models)	TBD	1
Russian (models)	TBD	1
Russian English (models)	TBD	1
Hungarian (models)	TBD	1
Czech (models)	TBD	1
Turkish native (models)	TBD	1
Greek (models)	TBD	1
Japanese (models)	TBD	1
Simplified Chinese (models)	TBD	1
Taiwan-TC (models)	TBD	1
Hong Kong-TC (models)	TBD	1
Korean (models)	TBD	1

7515 Windows XP Pro Recovery CDs	FRU#	CRU
Hebrew (models 72G 75G 77G 7AG 7CG 7JG 7LG 7SG 7PG 7QG)	71Y7506	1
Portuguese (models 72G 75G 77G 7AG 7CG 7JG 7LG 7SG 7PG 7QG)	71Y7514	1
Russian English (models 72G 75G 77G 7AG 7CG 7JG 7LG 7SG 7PG 7QG)	71Y7510	1
Hungarian (models 72G 75G 77G 7AG 7CG 7JG 7LG 7SG 7PG 7QG)	71Y7512	1
Slovenian (models 72G 75G 77G 7AG 7CG 7JG 7LG 7SG 7PG 7QG)	71Y7515	1
Korea (models)	71Y7519	1
US English (models E6M E6A E6Q E8M E8A E8Q F3M F3A F5M F5A F5Q F7M F7A H2M H2A 72G 75G 77G 7AG 7CG J2U J4U 7JG 7LG 7SG 7PG 7QG K2M K3M K4M)	71Y7493	1
French (models 72G 75G 77G 7AG 7CG J2F J4F 7JG 7LG 7SG 7PG 7QG)	71Y7494	1
German (models 72G 75G 77G 7AG 7CG 7JG 7LG 7SG 7PG 7QG)	71Y7495	1
Italian (models)	71Y7498	1
Brazilian Portuguese (models 72G 75G 77G 7AG 7CG 7JG 7LG 7SG 7PG 7QG)	71Y7497	1
Spanish (models 72G 75G 77G 7AG 7CG 7JG 7LG 7SG 7PG 7QG)	71Y7496	1
Danish (models 72G 75G 77G 7AG 7CG 7JG 7LG 7SG 7PG 7QG)	71Y7502	1
Dutch (models 72G 75G 77G 7AG 7CG 7JG 7LG 7SG 7PG 7QG)	71Y7503	1
Arabic (models 72G 75G 77G 7AG 7CG 7JG 7LG 7SG 7PG 7QG)	71Y7508	1
Swedish (models 72G 75G 77G 7AG 7CG 7JG 7LG 7SG 7PG 7QG)	71Y7501	1
Finnish (models 72G 75G 77G 7AG 7CG 7JG 7LG 7SG 7PG 7QG)	71Y7505	1
Norwegian (models 72G 75G 77G 7AG 7CG 7JG 7LG 7SG 7PG 7QG)	71Y7500	1
Polish (models 72G 75G 77G 7AG 7CG 7JG 7LG 7SG 7PG 7QG)	71Y7507	1
Russian (models 72G 75G 77G 7AG 7CG 7JG 7LG 7SG 7PG 7QG)	71Y7509	1

7515 Windows XP Pro Recovery CDs	FRU#	CRU
Czech (models 72G 75G 77G 7AG 7CG 7JG 7LG 7SG 7PG 7QG)	71Y7504	1
Turkish (models 72G 75G 77G 7AG 7CG 7JG 7LG 7SG 7PG 7QG)	71Y7511	1
Greek (models 72G 75G 77G 7AG 7CG 7JG 7LG 7SG 7PG 7QG)	71Y7513	1
Japanese (models)	71Y7499	1
Simplified Chinese (models)	71Y7516	1
Traditional Chinese (models)	71Y7517	1
Hong Kong (models)	71Y7518	1
MUI Nordics (EN-DK-FI-NO-SV) (models 72G 75G 77G 7AG 7CG 7JG 7LG 7SG 7PG 7QG)	71Y7520	1
MUI Switz (US EN-FR -GR-IT) (models E6M E6A E6Q E8M E8A E8Q F3M F3A F5M F5A F5Q F7M F7A H2M H2A 72G 72G 75G 75G 77G 77G 7AG 7AG 7CG 7CG J2U J2F J4U J4F 7JG 7JG 7LG 7LG 7SG 7SG 7PG 7PG 7QG 7QG K2M K3M K4M)	71Y7521	1
MUI Bel-Lux (EN-FR-GR-NL) (models E6M E6A E6Q E8M E8A E8Q F3M F3A F5M F5A F5Q F7M F7A H2M H2A 72G 72G 75G 75G 77G 77G 7AG 7AG 7CG 7CG J2U J2F J4U J4F 7JG 7JG 7LG 7LG 7SG 7SG 7PG 7PG 7QG 7QG K2M K3M K4M)	71Y7522	1

7515 Vista Home Basic 32 Recovery DVDs	FRU#	CRU
US English (models)	64Y8594	1
French (models)	64Y8596	1
German (models)	64Y8597	1
Spanish (models)	64Y8598	1
Brazilian (models)	64Y8599	1
Italian (models)	64Y8600	1
Dutch (models)	64Y8614	1
Czech (models)	64Y8601	1
Polish (models)	64Y8602	1
Russian (models)	64Y8603	1
Turkish (models)	64Y8604	1
Hungarian (models)	64Y8605	1
Greek (models)	64Y8606	1
Portuguese (models)	64Y8617	1
Simplified Chinese (models)	64Y8608	1
Hong Kong (models)	64Y8610	1
Traditional Chinese (models)	64Y8609	1
Korean (models)	64Y8611	1
Slovenian (models)	64Y8612	1
Russian English (models)	64Y8595	1
Hebrew (models)	64Y8615	1
Arabic Localized (models)	64Y8613	1
Slovakian (models)	64Y8619	1
Romanian (models)	64Y8616	1
Serbian-Latin (models)	64Y8618	1
C&L 1 Nordics (EN DK FI NO SV) (models)	64Y8620	1

7515 Vista Home Basic 32 Recovery DVDs	FRU#	CRU
C&L 2 Switzerland (EN FR GR IT) (models)	64Y8621	1
C&L 3 Bel Lux (EN FR GR NL) (models)	64Y8622	1
Japanese (models)	64Y8607	1

7515 Vista Business 32 Recovery DVDs	FRU#	CRU
US English (models B5M B5Q B8M B8Q D2M D2Q D3M E6M E6A E6Q E8M E8A E8Q F3M F3A F5M F5A F5Q F7M F7A H2M H2A 73G 73M 73A 73H 72G 75G 77G 7AG 7CG J2U J3U J4U J5U 7JG)	64Y8565	1
French (models 73G 72G 75G 77G 7AG 7CG 7JG 7LG)	64Y8567	1
German (models 73G 72G 75G 77G 7AG 7CG 7JG 7LG)	64Y8568	1
Spanish (models 73G 72G 75G 77G 7AG 7CG 7JG 7LG)	64Y8569	1
Brazilian Portuguese (models)	64Y8570	1
Italian (models 73G 72G 75G 77G 7AG 7CG 7JG 7LG)	64Y8571	1
Japanese (models)	64Y8578	1
Dutch (models 73G 72G 75G 77G 7AG 7CG 7JG 7LG)	64Y8585	1
Czech (models)	64Y8572	1
Polish (models 73G 72G 75G 77G 7AG 7CG 7JG 7LG)	64Y8573	1
Russian (models 73G 72G 75G 77G 7AG 7CG 7JG 7LG)	64Y8574	1
Turkish (models 73G 72G 75G 77G 7AG 7CG 7JG 7LG)	64Y8575	1
Hungarian (models 73G 72G 75G 77G 7AG 7CG 7JG 7LG)	64Y8576	1
Greek (models 73G 72G 75G 77G 7AG 7CG 7JG 7LG)	64Y8577	1
Portuguese (models)	64Y8588	1
Simplified Chinese (models)	64Y8579	1
Traditional Chinese (models)	64Y8580	1
Hong Kong (models)	64Y8581	1
Korean (models E8K)	64Y8582	1
Slovenian (models 73G 72G 75G 77G 7AG 7CG 7JG 7LG)	64Y8583	1
Russian English (models 73G 72G 75G 77G 7AG 7CG 7JG 7LG)	64Y8566	1
Romanian (models 73G 72G 75G 77G 7AG 7CG 7JG 7LG)	64Y8587	1
Serbian-Latin (models 73G 72G 75G 77G 7AG 7CG 7JG 7LG)	64Y8589	1
Slovakian (models 73G 72G 75G 77G 7AG 7CG 7JG 7LG)	64Y8590	1
Arabic Localized (models 73G 72G 75G 77G 7AG 7CG 7JG 7LG)	64Y8584	1
Hebrew (models 73G 72G 75G 77G 7AG 7CG 7JG 7LG)	64Y8586	1
C&L 1 Nordics (EN DK FI NO SV) (models)	64Y8591	1
C&L 2 Switzerland (EN FR GR IT) (models)	64Y8592	1
C&L 3 Bel Lux (EN FR GR NL) (models)	64Y8593	1

7515 Vista Home Premium 32 Recovery DVDs	FRU#	CRU
US English (models)	64Y8623	1
French (models)	64Y8624	1
German (models)	64Y8625	1

7515 Vista Home Premium 32 Recovery DVDs	FRU#	CRU
Spanish (models)	64Y8626	1
Italian (models)	64Y8628	1
Japanese (models)	64Y8629	1
Hong Kong (models)	64Y8630	1
Korean (models)	64Y8627	1
C&L 1 Nordics (EN DK FI NO SV) (models)	64Y8631	1
C&L 2 Switzerland (EN FR GR IT) (models)	64Y8632	1
C&L 3 Bel Lux (EN FR GR NL) (models)	64Y8633	1

7515 Vista Business 64 Recovery DVDs	FRU#	CRU
US English (models)	64Y8643	1
French (models)	64Y8644	1
German (models)	64Y8645	1
Japanese (models)	64Y8646	1
Simplified Chinese (models)	64Y8647	1

7515 Vista Ultimate 32 Recovery DVDs	FRU#	CRU
US English (models)	64Y8634	1
Japanese (models)	64Y8635	1
French (models)	64Y8636	1
German (models)	64Y8637	1
Spanish (models)	64Y8638	1
Italian (models)	64Y8639	1
Hong Kong - Traditional Chinese (models)	64Y8640	1
Arabic localized (models)	64Y8641	1
C&L 1 Nordics (EN DK FI NO SV) (models)	64Y8642	1

7515 Vista Starter 32 Recovery DVDs	FRU#	CRU
English (models)	TBD	1

7515 Windows 7 Home Basic 32 Recovery DVDs	FRU#	CRU
Arabic (models)	71Y7549	1
India English (models)	71Y8655	1
Russian English (models)	71Y7550	1
Russian (models)	71Y7551	1
Spanish (models)	71Y7552	1
Serbian-Latin (models)	71Y7553	1
Turkish (models)	71Y7554	1
English (models)	71Y7555	1

7515 Windows 7 Home Premium 32 Recovery DVDs	FRU#	CRU
Traditional Chinese (models)	71Y7556	1
India English (models)	71Y8656	1
French (models)	71Y7557	1
Hong Kong (models)	71Y7558	1
Italian (models)	71Y7559	1
Japan (models)	71Y7560	1
Korean (models)	71Y7561	1
Spanish (models)	71Y7562	1
English (models)	71Y7563	1
C&L Bel Lux (EN FR GR NL) (models)	71Y7564	1
C&L Nordics (EN DK FI NO SV) (models)	71Y7565	1
C&L Switzerland (EN FR GR IT) (models)	71Y7566	1

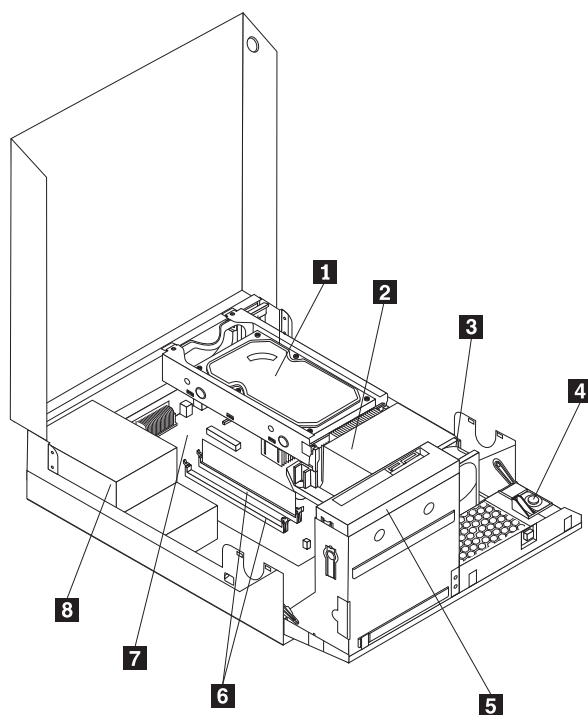
7515 Windows 7 Professional 32 Recovery DVDs	FRU#	CRU
Arabic (models)	71Y7523	1
Traditional Chinese (models)	71Y7524	1
Czech (models)	71Y7525	1
India English (models)	71Y8654	1
French (models L2F K5F)	71Y7526	1
Greek (models)	71Y7527	1
German (models)	71Y7528	1
Hebrew (models)	71Y7529	1
Hong Kong (models)	71Y7530	1
Hungarian (models)	71Y7531	1
Italian (models)	71Y7532	1
Japan (models K7J K8J K9J L1J L9J)	71Y7533	1
Korean (models)	71Y7534	1
Polish (models)	71Y7535	1
Portuguese (models)	71Y7536	1
Russian English (models)	71Y7537	1
Romanian (models)	71Y7538	1
Russian (models)	71Y7539	1
Slovakia (models)	71Y7540	1
Slovenian (models)	71Y7541	1
Spanish (models K5S K5D K5Y L4S L4D L4Y L5S L5D L5Y L6S L6D L6Y L7S L7D L7Y L8S L8D L8Y L9J M1S M1Y M2S M2Y M3S M3Y)	71Y7542	1
Serbian-Latin (models)	71Y7543	1
Turkish (models)	71Y7544	1
English (models L2U K5U)	71Y7545	1
C&L Bel Lux (EN FR GR NL) (models)	71Y7546	1
C&L Nordics (EN DK FI NO SV) (models)	71Y7547	1

7515 Windows 7 Professional 32 Recovery DVDs	FRU#	CRU
C&L Switzerland (EN FR GR IT) (models)	71Y7548	1

7515 Windows 7 Professional 64 Recovery DVDs	FRU#	CRU
Traditional Chinese (models)	71Y7574	1
India English (models)	71Y8658	1
French (models)	71Y7575	1
German (models)	71Y7576	1
Hong Kong (models)	71Y7577	1
Italian (models)	71Y7578	1
Japan (models)	71Y7579	1
Spanish (models)	71Y7580	1
English (models)	71Y7581	1
C&L Bel Lux (EN FR GR NL) (models)	71Y7582	1
C&L Nordics (EN DK FI NO SV) (models)	71Y7583	1
C&L Switzerland (EN FR GR IT) (models)	71Y7584	1

7515 Windows 7 Starter Recovery DVDs	FRU#	CRU
Arabic (models)	71Y7567	1
India English (models)	71Y8657	1
Russian English (models)	71Y7568	1
Russian (models)	71Y7569	1
Spanish (models)	71Y7570	1
Serbian-Latin (models)	71Y7571	1
Turkish (models)	71Y7572	1
English (models)	71Y7573	1

Machine type 7522



Item#	7522 FRUs	FRU#	CRU
1	Hard disk drive, SATA 160GB 7200RPM/3Gb/8MB (models H3M H3A B1M E3M E3A E3K E4M E4A E4K F1M F1A F1K F2M F2A F5M F5A 74G 74M 74A 74V 79G 7BG A1S A1Y A2Q A4S A4P A4Y A4M A4A A4K D8S D8D D8Y E1S E1D E1Y E2S E2D E2Y F9U F9F H1U H1F H1M H1A H1J H2U H2F D6U D6F H6U H6F H7U H7F J4U J4F)	40Y9035	1
1	Hard disk drive, SATA 250 GB 7200RPM/3GB/8MB (models H4A H4T H5M H5A B2A B2Q B2T B6M B8M B8A B9M E5M E5A E5K E7M E7A E8M E8A E8K F3M F3A F6M F6A F6K F7M F7A H8U H9A J1T J2T J3T J5U J5F J6U J6F J7M L6J L7J L8J L9J M1J M2J M3J M4J M5J M7J M8U M8F M8S M8D M8Y K6U K6F K6S K6D K6Y M9U M9F P1U P1F P4S P4D P4Y P5S P5D P5Y P6S P6D P6Y P7S P7D P7Y P8J)	40Y9036	1
1	Hard disk drive, SATA 320 GB 7200RPM SATA/8MB (models D1M 76G 77G 78G 7CG 73G 75G 7KG 7FG 7HG 7JG 7LG 7MG 7NG J8M J9M K1M K2M K3M K4M K5M K8J K9J L1J L2J L3J L4J L5J K7U K7F P2U P2F P3Q P9J Q1J Q2J Q3J)	87H4891	1
1	Hard disk drive, SATA 500GB 7200RPM/3Gb/s/8MB (models)	41X5582	1
1	Hard disk drive, 1TB 7200rpm SATA (models)	45C5973	1
1	Hard disk drive, SATA 160 GB 7200RPM/3GB/8MB - optional (models 91C 91J H3M H3A B1M E3M E3A E3K E4M E4A E4K F1M F1A F1K F2M F2A F5M F5A 74G 74M 74A 74V 79G 7BG A1S A1Y A2Q A4S A4P A4Y A4M A4A A4K D8S D8D D8Y E1S E1D E1Y E2S E2D E2Y F9U F9F H1U H1F H1M H1A H1J H2U H2F D6U D6F H6U H6F H7U H7F J4U J4F)	53Y6837	1
1	Hard disk drive, SATA 250 GB 7200RPM/3GB/8MB - optional (models H4A H4T H5M H5A B2A B2Q B2T B6M B8M B8A B9M E5M E5A E5K E7M E7A E8M E8A E8K F3M F3A F6M F6A F6K F7M F7A H8U H9A J1T J2T J3T J5U J5F J6U J6F J7M L6J L7J L8J L9J M1J M2J M3J M4J M5J M7J M8U M8F M8S M8D M8Y K6U K6F K6S K6D K6Y M9U M9F P1U P1F P4S P4D P4Y P5S P5D P5Y P6S P6D P6Y P7S P7D P7Y P8J)	45K0408	1

Item#	7522 FRUs	FRU#	CRU
1	Hard disk drive, SATA 320 GB 7200RPM SATA/8MB - optional (models D1M 76G 77G 78G 7CG 73G 75G 7KG 7FG 7HG 7JG 7LG 7MG 7NG J8M J9M K1M K2M K3M K4M K5M K8J K9J L1J L2J L3J L4J L5J K7U K7F P2U P2F P3Q P9J Q1J Q2J Q3J)	45K0409	1
1	Hard disk drive, SATA 500 GB 7200RPM/3GB/s/8MB - optional (models)	45K0410	1
1	Hard disk drive, 1 TB 7200RPM SATA - optional (models)	45K0412	1
1	Hard disk drive, 150 GB 10K RPM, SATA (models)	46R6400	1
2	Microprocessor, E7400 2.8GHZ 1066M 3M R0 (ViiV, EIST, EM64T, EDB) 65W (models F1M F1A F1K F2M F2A F3M F3A 73G 75G E2S E2D E2Y J1T)	53Y6653	N
2	Microprocessor, E7500 2.93GHZ 1066M 3M R0 (ViiV, EIST, EM64T, EDB) 65W (models F5M F5A F6M F6A F6K F7M F7A H9A J2T J3T J6U J6F 7KG 7FG 7MG P5S P5D P5Y P6S P6D P6Y P9J Q1J Q2J Q3J)	53Y6654	N
2	Microprocessor, E5300 2.6GHZ 800MHz 2MB R0 (EIST, EM64T, EDB) 65W (models E3M E3A E3K E4M E4A E4K E5M E5A E5K J4U J4F J5U J5F 7HG 7JG)	53Y9049	N
2	Microprocessor, E1500 2.2GHZ 800MHz 512KB (EIST, EM64T, EDB) M0 65W (models)	53Y9051	N
2	Microprocessor, Q8300 Yorkfield 2.5GHZ, 1333MHz, 4M R-0 (ViiV, EIST, EM64T, EDB) 95W (models)	53Y6656	N
2	Microprocessor, E8600 3.33GHZ/1333MHZ/6M E0 65W (models)	46R8640	N
2	Microprocessor, E8500 3.16GHZ 1333MHz FSB 6M C-0 65W (models B9M)	45C7735	N
2	Microprocessor, E8400 3.0GHZ 1333MHz FSB 6M C-0 65W (models 91C 91J B8M B8A 74G 74M 74A 74V 77G 78G D8S D8D D8Y)	45C7736	N
2	Microprocessor, E8300 2.83GHZ 1333MHz FSB 6M C-0 65W (models)	45C7737	N
2	Microprocessor, E7200 2.53GHZ 1066MHz FSB 3M M-0 65W (models)	45R8337	N
2	Microprocessor, E7300 2.66GHZ 1066MHz FSB 3M M-0 65W (models B6M E7M E7A E8M E8A E8K A4S A4P A4Y A4M A4A A4K H2U H2F)	46R1622	N
2	Microprocessor, E2200 Conroe-L 2.2GHZ 800MHz FSB 1M (models)	45C5349	N
2	Microprocessor, E2220 Conroe-L 2.4GHZ 800MHz FSB 1M (models)	45C1774	N
2	Microprocessor, E5200 2.5G 800MHz 2M M-0 65W, 45nm (models H3M H3A H4A H4T H5M H5A B1M B2A B2Q B2T 76G 7CG E1S E1D E1Y F9U F9F H1U H1F H1M H1A H1J D6U D6F H7U H7F H8U)	46R9512	N
2	Microprocessor, E1600 2.4GHZ/800MHZ/512K - NPI M-0 65W (models)	46R1655	N
2	Microprocessor, E1400 2.0GHZ 800MHz FSB 512K - NPI M-0 65W (models 79G 7BG H6U H6F)	45R8339	N
2	Microprocessor, Cel-440 Conroe-L 2.0GHZ 800MHz FSB 512K (models)	43C1965	N
2	Microprocessor, Cel-450 2.2GHZ 800MHz FSB 512K 35W (models L8J L9J M1J M2J M3J M4J M5J M7J P8J)	46R9514	N
2	Microprocessor, Q9650 3.0GHZ 1333FSB 12MB VT, TXT E-0 95W (models)	46R8642	N
2	Microprocessor, Q9400 2.66GHZ 1333FSB 6MB VT, TXT R-0 95W (models)	46R8644	N
2	Microprocessor, Q8200 2.33GHZ 1333FSB 4M M-1 95W (models D1M)	46R9516	N
2	Microprocessor, Q9550 2.83GHZ 1333FSB 12M C-1 95W (models)	45C7739	N
2	Microprocessor, Q9450 Yorkfield 2.66GHZ 1333FSB 12M C-1 95W (models)	45C7740	N
2	Microprocessor, Q9300 Yorkfield 2.50GHZ 1333FSB 6M M-1 95W (models)	45C7741	N
2	Microprocessor, E5400 2.7G 800MHz-2MB 65W Non-vPro SKU (models)	64Y1075	N
2	Microprocessor, E7600 3.06GHZ 1066M 3M 65W (models)	71Y3486	N

Item#	7522 FRUs	FRU#	CRU
2	Microprocessor, Q8400 2.66GHZ,1333MHz,4M 95W (models)	71Y3488	N
2	Microprocessor, E6300 2.8G 1066MHz-2MB 65W (models J8M J9M K6U K6F K6S K6D K6Y K7U K7F P4S P4D P4Y)	71Y3484	N
2	Microprocessor, E6500 2.93GHZ 1066 MHz-2MB 65W R0 (models)	71Y6250	N
2	Microprocessor, E3300 2.5GHZ 800 MHz-1MB 65W R0 (models)	71Y6252	N
2	Microprocessor, E3200 2.4GHZ 800 MHz-1MB 65W R0 (models J7M M8U M8F M8S M8D M8Y M9U M9F P7S P7D P7Y)	71Y6251	N
3	95W heat sink kit with RM (all models)	41R6454	2
3	65W heat sink kit with RM (all models)	43N9349	2
3	95W heat sink kit with RM (all models)	43N9874	2
3	65W heat sink kit with RM (all models)	43N9877	2
4	Internal speaker 254 mm - optional (all models)	39K5012	2
5	Optical drive, DVD-ROM Drive - 16x/48x - SATA for Windows 7 (models 91C 91J F9U F9F L1J L5J L7J M1J M3J M5J M7J P3Q P8J Q3J)	71Y5543	1
5	Optical drive, DVD Recordable Rambo 8 - SATA 12XRAM Write - for Windows 7 (models H3M H3A H4A H4T H5M H5A B1M B2A B2Q B2T B6M B8M B8A B9M D1M E3M E3A E3K E4M E4A E4K E5M E5A E5K E7M E7A E8M E8A E8K F1M F1A F1K F2M F2A F3M F3A F5M F5A F6M F6A F6K F7M F7A 74G 74M 74A 74V 76G 77G 78G 79G 7BG 7CG 73G 75G A1S A1Y A2Q A4S A4P A4Y A4M A4A A4K D8S D8D D8Y E1S E1D E1Y E2S E2D E2Y H1U H1F H1M H1A H1J H2U H2F D6U D6F H6U H6F H7U H7F H8U H9A J1T J2T J3T J4U J4F J5U J5F J6U J6F 7KG 7FG 7HG 7JG 7LG 7MG 7NG J7M J8M J9M K1M K2M K3M K4M K5M K8J K9J L2J L3J L4J L6J L8J L9J M2J M4J M8U M8F M8S M8D M8Y K6U K6F K6S K6D K6Y K7U K7F M9U M9F P1U P1F P2U P2F P4S P4D P4Y P5S P5D P5Y P6S P6D P6Y P7S P7D P7Y P9J Q1J Q2J)	71Y5545	1
6	Memory module, 512MB PC2-5300 (667MHz) DDR2 SDRAM (models)	41X4255	1
6	Memory module, 1GB PC2-5300 (667MHz) DDR2 SDRAM (models)	41X4256	1
6	Memory module, 2GB PC2-5300 (667MHz) DDR2 SDRAM (models)	41X4257	1
6	Memory module, 512MB PC2-6400 (800MHz) DDR2 SDRAM (models F9U F9F)	41X1079	1
6	Memory module, 1GB PC2-6400 (667MHz) DDR2 SDRAM (models 91C 91J H3M H3A H4A H4T H5M H5A B1M B2A B2Q B2T B6M B8M B8A B9M E3M E3A E3K E4M E4A E4K E5M E5A E5K F1M F1A F1K F2M F2A F5M F5A A1S A1Y A2Q A4S A4P A4Y A4M A4A A4K E1S E1D E1Y H1U H1F H1M H1A H1J H6U H6F H9A J1T J2T J3T L6J L7J M4J M5J M7J M8U M8F M8S M8D M8Y M9U M9F P4S P4D P4Y P6S P6D P6Y P8J)	41X1080	1
6	Memory module, 2GB PC2-6400 (667MHz) DDR2 SDRAM (models D1M E7M E7A E8M E8A E8K F3M F3A F6M F6A F6K F7M F7A 74G 74M 74A 74V 76G 77G 78G 79G 7BG 7CG 73G 75G D8S D8D D8Y E2S E2D E2Y H2U H2F D6U D6F H7U H7F H8U J4U J4F J5U J5F J6U J6F 7KG 7FG 7HG 7JG 7LG 7MG 7NG J7M J8M J9M K1M K2M K3M K4M K5M K8J K9J L1J L2J L3J L4J L5J L8J L9J M1J M2J M3J K6U K6F K6S K6D K6Y K7U K7F P1U P1F P2U P2F P3Q P5S P5D P5Y P7S P7D P7Y P9J Q1J Q2J Q3J)	41X1081	1

Item#	7522 FRUs	FRU#	CRU
7	System board, Intel G41 BTX(GA) non-AMT (models 91C 91J H3M H3A H4A H4T H5M H5A B1M B2A B2Q B2T B6M B8M B8A B9M D1M E3M E3A E3K E4M E4A E4K E5M E5A E5K E7M E7A E8M E8A E8K F1M F1A F1K F2M F2A F3M F3A F5M F5A F6M F6A F6K F7M F7A 74G 74M 74A 74V 76G 77G 78G 79G 7BG 7CG 73G 75G A1S A1Y A2Q A4S A4P A4Y A4M A4A A4K D8S D8D D8Y E1S E1D E1Y E2S E2D E2Y F9U F9F H1U H1F H1M H1A H1J H2U H2F D6U D6F H6U H6F H7U H7F H8U H9A J1T J2T J3T J4U J4F J5U J5F J6U J6F 7KG 7FG 7HG 7JG 7LG 7MG 7NG J7M J8M J9M K1M K2M K3M K4M K5M K8J K9J L1J L2J L3J L4J L5J L6J L7J L8J L9J M1J M2J M3J M4J M5J M7J M8U M8F M8S M8D M8Y K6U K6F K6S K6D K6Y K7U K7F M9U M9F P1U P1F P2U P2F P3Q P4S P4D P4Y P5S P5D P5Y P6S P6D P6Y P7S P7D P7Y P8J P9J Q1J Q2J Q3J)	46R8892	N
7	System board, Intel G41 BTX (GA) - NB upgrade (models 91C 91J H3M H3A H4A H4T H5M H5A B1M B2A B2Q B2T B6M B8M B8A B9M D1M E3M E3A E3K E4M E4A E4K E5M E5A E5K E7M E7A E8M E8A E8K F1M F1A F1K F2M F2A F3M F3A F5M F5A F6M F6A F6K F7M F7A 74G 74M 74A 74V 76G 77G 78G 79G 7BG 7CG 73G 75G A1S A1Y A2Q A4S A4P A4Y A4M A4A A4K D8S D8D D8Y E1S E1D E1Y E2S E2D E2Y F9U F9F H1U H1F H1M H1A H1J H2U H2F D6U D6F H6U H6F H7U H7F H8U H9A J1T J2T J3T J4U J4F J5U J5F J6U J6F 7KG 7FG 7HG 7JG 7LG 7MG 7NG J7M J8M J9M K1M K2M K3M K4M K5M K8J K9J L1J L2J L3J L4J L5J L6J L7J L8J L9J M1J M2J M3J M4J M5J M7J M8U M8F M8S M8D M8Y K6U K6F K6S K6D K6Y K7U K7F M9U M9F P1U P1F P2U P2F P3Q P4S P4D P4Y P5S P5D P5Y P6S P6D P6Y P7S P7D P7Y P8J P9J Q1J Q2J Q3J)	64Y9198	N
7	System board, Intel G41 BTX - EuP and TCM header (models 91C 91J H3M H3A H4A H4T H5M H5A B1M B2A B2Q B2T B6M B8M B8A B9M D1M E3M E3A E3K E4M E4A E4K E5M E5A E5K E7M E7A E8M E8A E8K F1M F1A F1K F2M F2A F3M F3A F5M F5A F6M F6A F6K F7M F7A 74G 74M 74A 74V 76G 77G 78G 79G 7BG 7CG 73G 75G A1S A1Y A2Q A4S A4P A4Y A4M A4A A4K D8S D8D D8Y E1S E1D E1Y E2S E2D E2Y F9U F9F H1U H1F H1M H1A H1J H2U H2F D6U D6F H6U H6F H7U H7F H8U H9A J1T J2T J3T J4U J4F J5U J5F J6U J6F 7KG 7FG 7HG 7JG 7LG 7MG 7NG J7M J8M J9M K1M K2M K3M K4M K5M K8J K9J L1J L2J L3J L4J L5J L6J L7J L8J L9J M1J M2J M3J M4J M5J M7J M8U M8F M8S M8D M8Y K6U K6F K6S K6D K6Y K7U K7F M9U M9F P1U P1F P2U P2F P3Q P4S P4D P4Y P5S P5D P5Y P6S P6D P6Y P7S P7D P7Y P8J P9J Q1J Q2J Q3J)	71Y6839	N
8	Power supply, 280 watt, Active PFC power supply, auto-sensing, Robust, WW, JP (models 91C 91J H3M H3A H4A H4T H5M H5A B1M B2A B2Q B2T B6M B8M B8A B9M D1M E3M E3A E3K E4M E4A E4K E5M E5A E5K E7M E7A E8M E8A E8K F1M F1A F1K F2M F2A F3M F3A F5M F5A F6M F6A F6K F7M F7A 74G 74M 74A 74V 76G 77G 78G 79G 7BG 7CG 73G 75G A1S A1Y A2Q A4S A4P A4Y A4M A4A A4K D8S D8D D8Y E1S E1D E1Y E2S E2D E2Y F9U F9F H1U H1F H1M H1A H1J H2U H2F D6U D6F H6U H6F H7U H7F H8U H9A J1T J2T J3T J4U J4F J5U J5F J6U J6F 7KG 7FG 7HG 7JG 7LG 7MG 7NG J7M J8M J9M K1M K2M K3M K4M K5M K8J K9J L1J L2J L3J L4J L5J L6J L7J L8J L9J M1J M2J M3J M4J M5J M7J M8U M8F M8S M8D M8Y K6U K6F K6S K6D K6Y K7U K7F M9U M9F P1U P1F P2U P2F P3Q P4S P4D P4Y P5S P5D P5Y P6S P6D P6Y P7S P7D P7Y P8J P9J Q1J Q2J Q3J)	41A9701	N
8	Power supply, 280 watt, 85+ power supply for 10L, Robust, WW, JP (models 91C 91J H3M H3A H4A H4T H5M H5A B1M B2A B2Q B2T B6M B8M B8A B9M D1M E3M E3A E3K E4M E4A E4K E5M E5A E5K E7M E7A E8M E8A E8K F1M F1A F1K F2M F2A F3M F3A F5M F5A F6M F6A F6K F7M F7A 74G 74M 74A 74V 76G 77G 78G 79G 7BG 7CG 73G 75G A1S A1Y A2Q A4S A4P A4Y A4M A4A A4K D8S D8D D8Y E1S E1D E1Y E2S E2D E2Y F9U F9F H1U H1F H1M H1A H1J H2U H2F D6U D6F H6U H6F H7U H7F H8U H9A J1T J2T J3T J4U J4F J5U J5F J6U J6F 7KG 7FG 7HG 7JG 7LG 7MG 7NG J7M J8M J9M K1M K2M K3M K4M K5M K8J K9J L1J L2J L3J L4J L5J L6J L7J L8J L9J M1J M2J M3J M4J M5J M7J M8U M8F M8S M8D M8Y K6U K6F K6S K6D K6Y K7U K7F M9U M9F P1U P1F P2U P2F P3Q P4S P4D P4Y P5S P5D P5Y P6S P6D P6Y P7S P7D P7Y P8J P9J Q1J Q2J Q3J)	41A9742	N

Item#	7522 FRUs	FRU#	CRU
8	Power supply, 280 watt, Active PFC power supply (auto-sensing) - all countries (models 91C 91J H3M H3A H4A H4T H5M H5A B1M B2A B2Q B2T B6M B8M B8A B9M D1M E3M E3A E3K E4M E4A E4K E5M E5A E5K E7M E7A E8M E8A E8K F1M F1A F1K F2M F2A F3M F3A F5M F5A F6M F6A F6K F7M F7A 74G 74M 74A 74V 76G 77G 78G 79G 7BG 7CG 73G 75G A1S A1Y A2Q A4S A4P A4Y A4M A4A A4K D8S D8D D8Y E1S E1D E1Y E2S E2D E2Y F9U F9F H1U H1F H1M H1A H1J H2U H2F D6U D6F H6U H6F H7U H7F H8U H9A J1T J2T J3T J4U J4F J5U J5F J6U J6F 7KG 7FG 7HG 7JG 7LG 7MG 7NG J7M J8M J9M K1M K2M K3M K4M K5M K8J K9J L1J L2J L3J L4J L5J L6J L7J L8J L9J M1J M2J M3J M4J M5J M7J M8U M8F M8S M8D M8Y K6U K6F K6S K6D K6Y K7U K7F M9U M9F P1U P1F P2U P2F P3Q P4S P4D P4Y P5S P5D P5Y P6S P6D P6Y P7S P7D P7Y P8J P9J Q1J Q2J Q3J)	45J9418	N
8	Power supply, 280 watt, 85+ power supply - all countries (models)	45J9423	N
8	Power supply, 280 watt Active PFC power supply, auto-sensing, Robust, WW, JP, for Eup (models 91C 91J H3M H3A H4A H4T H5M H5A B1M B2A B2Q B2T B6M B8M B8A B9M D1M E3M E3A E3K E4M E4A E4K E5M E5A E5K E7M E7A E8M E8A E8K F1M F1A F1K F2M F2A F3M F3A F5M F5A F6M F6A F6K F7M F7A 74G 74M 74A 74V 76G 77G 78G 79G 7BG 7CG 73G 75G A1S A1Y A2Q A4S A4P A4Y A4M A4A A4K D8S D8D D8Y E1S E1D E1Y E2S E2D E2Y F9U F9F H1U H1F H1M H1A H1J H2U H2F D6U D6F H6U H6F H7U H7F H8U H9A J1T J2T J3T J4U J4F J5U J5F J6U J6F 7KG 7FG 7HG 7JG 7LG 7MG 7NG J7M J8M J9M K1M K2M K3M K4M K5M K8J K9J L1J L2J L3J L4J L5J L6J L7J L8J L9J M1J M2J M3J M4J M5J M7J M8U M8F M8S M8D M8Y K6U K6F K6S K6D K6Y K7U K7F M9U M9F P1U P1F P2U P2F P3Q P4S P4D P4Y P5S P5D P5Y P6S P6D P6Y P7S P7D P7Y P8J P9J Q1J Q2J Q3J)	54Y8804	N

The FRUs listed in the following tables are not illustrated.

7522 FRUs	FRU#	CRU
Battery 3V - Lithium (models 91C 91J H3M H3A H4A H4T H5M H5A B1M B2A B2Q B2T B6M B8M B8A B9M D1M E3M E3A E3K E4M E4A E4K E5M E5A E5K E7M E7A E8M E8A E8K F1M F1A F1K F2M F2A F3M F3A F5M F5A F6M F6A F6K F7M F7A 74G 74M 74A 74V 76G 77G 78G 79G 7BG 7CG 73G 75G A1S A1Y A2Q A4S A4P A4Y A4M A4A A4K D8S D8D D8Y E1S E1D E1Y E2S E2D E2Y F9U F9F H1U H1F H1M H1A H1J H2U H2F D6U D6F H6U H6F H7U H7F H8U H9A J1T J2T J3T J4U J4F J5U J5F J6U J6F 7KG 7FG 7HG 7JG 7LG 7MG 7NG J7M J8M J9M K1M K2M K3M K4M K5M K8J K9J L1J L2J L3J L4J L5J L6J L7J L8J L9J M1J M2J M3J M4J M5J M7J M8U M8F M8S M8D M8Y K6U K6F K6S K6D K6Y K7U K7F M9U M9F P1U P1F P2U P2F P3Q P4S P4D P4Y P5S P5D P5Y P6S P6D P6Y P7S P7D P7Y P8J P9J Q1J Q2J Q3J)	45C1566	1
Cable - SATA 250 mm (RoHS) for 1st hard disk drive (all models)	43N9012	2
Cable - SATA 600 mm (RoHS) (all models)	45J9579	2
Cable - SATA 700 mm (RoHS) for optical drive / Second hard disk drive (all models)	43N9011	2
C2 intrusion switch 260 mm (all models)	43N9080	2
Rear I/O shield BTX (all models)	41R6381	N
Temp sense cable (165 mm) (all models)	43N9079	2
Air deflector, recycle resin (all models)	43N9610	2
Hard disk drive tray assembly (all models)	43N9595	1
Front cage assembly (all models)	43N9596	N
Front cage assembly (all models)	43N9647	N
Cable, Front I/O cable_R (10L_U380_A550)_ESD (all models)	45J9509	2

7522 FRUs	FRU#	CRU
Models with 3.5" convert 2.5" for 150 GB 10 K rpm hard disk drive (first HDD bay) (all models)	43N9645	2
3.5" convert 2.5" for 150 GB 10 K rpm hard disk drive (first HDD bay) (all models)	43N9593	2
Universal Adapter Bracket 5.25 to 3.5 (all models)	43N9676	2
Top cover assembly (all models)	43N9594	1
Cable, LED/Switch cable_R (10L_220 mm_PCBA) (all models)	45J9515	2
NO ODD, EMI shielding (all models)	43N9641	1
Card reader bezel (all models)	43N9642	1
Non-card reader bezel (all models)	43N9643	1
Card reader (all models)	45K6081	1
Vertical stand (all models)	43N9644	1
Front bezel assembly (all models)	43N9677	1
Chassis (all models)	43N9649	N
Rubber foot for vertical (all models)	43N9727	1
Rubber foot for horizontal (all models)	43N9728	1
Thermal grease (all models)	91P8835	N
Optical retainer (all models)	45K6364	1

7522 Keyboards (Lenovo Preferred Pro USB -- without hub)	FRU#	CRU
USB FULL--US English (models H3M H3A H4A H5M H5A B1M B2A B2Q B6M B8M B8A B9M D1M E3M E3A E4M E4A E5M E5A E7M E7A E8M E8A F1M F1A F2M F2A F3M F3A F5M F5A F6M F6A F7M F7A 74G 74M 74A 76G 77G 78G 79G 7BG 7CG 73G 75G A2Q A4M A4A F9U H1U H1M H1A H2U D6U H6U H7U H8U H9A J4U J5U J6U 7KG 7FG 7HG 7JG)	41A5289	1
USB FULL--Arabic (models 74G 76G 77G 78G 79G 7BG 7CG 73G 75G 7KG 7FG 7HG 7JG)	41A5290	1
USB FULL--Arabic/French (models 74G 76G 77G 78G 79G 7BG 7CG 73G 75G 7KG 7FG 7HG 7JG)	41A5291	1
USB FULL--Belgium French (models 74G 76G 77G 78G 79G 7BG 7CG 73G 75G 7KG 7FG 7HG 7JG)	41A5292	1
USB FULL--Belgium English (models 74G 76G 77G 78G 79G 7BG 7CG 73G 75G 7KG 7FG 7HG 7JG)	41A5293	1
USB FULL--Brazilian Portuguese (models A4P)	41A5294	1
USB FULL--Bulgarian (models 74G 76G 77G 78G 79G 7BG 7CG 73G 75G 7KG 7FG 7HG 7JG)	41A5295	1
USB FULL--Chinese/US (models 74V)	41A5296	1
USB FULL--Czech (ABB) (models 74G 76G 77G 78G 79G 7BG 7CG 73G 75G 7KG 7FG 7HG 7JG)	41A5297	1
USB FULL--Danish (models 74G 76G 77G 78G 79G 7BG 7CG 73G 75G 7KG 7FG 7HG 7JG)	41A5298	1
USB FULL--Dutch (models 74G 76G 77G 78G 79G 7BG 7CG 73G 75G 7KG 7FG 7HG 7JG)	41A5299	1
USB FULL--French (models 74G 76G 77G 78G 79G 7BG 7CG 73G 75G 7KG 7FG 7HG 7JG)	41A5300	1
USB FULL--French Canadian (models 74G 76G 77G 78G 79G 7BG 7CG 73G 75G F9F H1F H2F D6F H6F H7F J4F J5F J6F 7KG 7FG 7HG 7JG)	41A5301	1
USB FULL--French Canadian (models 74G 76G 77G 78G 79G 7BG 7CG 73G 75G F9F H1F H2F D6F H6F H7F J4F J5F J6F 7KG 7FG 7HG 7JG)	41A5302	1

7522 Keyboards (Lenovo Preferred Pro USB -- without hub)	FRU#	CRU
USB FULL--German (models 74G 76G 77G 78G 79G 7BG 7CG 73G 75G 7KG 7FG 7HG 7JG)	41A5303	1
USB FULL--Greek (models 74G 76G 77G 78G 79G 7BG 7CG 73G 75G 7KG 7FG 7HG 7JG)	41A5304	1
USB FULL--Greek/US (models 74G 76G 77G 78G 79G 7BG 7CG 73G 75G 7KG 7FG 7HG 7JG)	41A5305	1
USB FULL--Hebrew (models 74G 76G 77G 78G 79G 7BG 7CG 73G 75G 7KG 7FG 7HG 7JG)	41A5306	1
USB FULL--Hungarian (models 74G 76G 77G 78G 79G 7BG 7CG 73G 75G 7KG 7FG 7HG 7JG)	41A5307	1
USB FULL--Iceland (models 74G 76G 77G 78G 79G 7BG 7CG 73G 75G 7KG 7FG 7HG 7JG)	41A5308	1
USB FULL--Italy (models 74G 76G 77G 78G 79G 7BG 7CG 73G 75G 7KG 7FG 7HG 7JG)	41A5309	1
USB FULL--Japanese (models 91J H1J K8J K9J L1J L2J L3J L4J L5J L6J L7J L8J L9J M1J M2J M3J M4J M5J M7J P8J P9J Q1J Q2J Q3J)	41A5310	1
USB FULL--Korean (models E3K E4K E5K E8K F1K F6K A4K)	41A5311	1
USB FULL--LA Spanish (models A1S A1Y A4S A4Y D8S D8D D8Y E1S E1D E1Y E2S E2D E2Y M8S M8D M8Y K6S K6D K6Y P4S P4D P4Y P5S P5D P5Y P6S P6D P6Y P7S P7D P7Y)	41A5312	1
USB FULL--Norwegian (models 74G 76G 77G 78G 79G 7BG 7CG 73G 75G 7KG 7FG 7HG 7JG)	41A5313	1
USB FULL--Polish (models 74G 76G 77G 78G 79G 7BG 7CG 73G 75G 7KG 7FG 7HG 7JG)	41A5314	1
USB FULL--Portuguese (models 74G 76G 77G 78G 79G 7BG 7CG 73G 75G 7KG 7FG 7HG 7JG)	41A5315	1
USB FULL--Romanian (models 74G 76G 77G 78G 79G 7BG 7CG 73G 75G 7KG 7FG 7HG 7JG)	41A5317	1
USB FULL--Romanian (models 74G 76G 77G 78G 79G 7BG 7CG 73G 75G 7KG 7FG 7HG 7JG)	41A5316	1
USB FULL--Russian/Cyrillic (models 74G 76G 77G 78G 79G 7BG 7CG 73G 75G 7KG 7FG 7HG 7JG)	41A5318	1
USB FULL--Serbian/Cyrillic (models 74G 76G 77G 78G 79G 7BG 7CG 73G 75G 7KG 7FG 7HG 7JG)	41A5319	1
USB FULL--Slovak (models 74G 76G 77G 78G 79G 7BG 7CG 73G 75G 7KG 7FG 7HG 7JG)	41A5320	1
USB FULL--Spanish (models 74G 76G 77G 78G 79G 7BG 7CG 73G 75G 7KG 7FG 7HG 7JG)	41A5321	1
USB FULL--Swedish/Finnish (models 74G 76G 77G 78G 79G 7BG 7CG 73G 75G 7KG 7FG 7HG 7JG)	41A5322	1
USB FULL--Swiss French/German (models 74G 76G 77G 78G 79G 7BG 7CG 73G 75G 7KG 7FG 7HG 7JG)	41A5323	1
USB FULL--Thailand (models H4T B2T J1T J2T J3T)	41A5324	1
USB FULL--Turkish (models 74G 76G 77G 78G 79G 7BG 7CG 73G 75G 7KG 7FG 7HG 7JG)	41A5325	1
USB FULL--Turkish (models 74G 76G 77G 78G 79G 7BG 7CG 73G 75G 7KG 7FG 7HG 7JG)	41A5326	1
USB FULL --UK English (models 74G 76G 77G 78G 79G 7BG 7CG 73G 75G 7KG 7FG 7HG 7JG)	41A5327	1
USB FULL--US Euro (models 74G 76G 77G 78G 79G 7BG 7CG 73G 75G 7KG 7FG 7HG 7JG)	41A5328	1

7522 Keyboards (Lenovo Preferred Pro USB -- without hub)	FRU#	CRU
USB FULL--Slovenian (models 74G 76G 77G 78G 79G 7BG 7CG 73G 75G 7KG 7FG 7HG 7JG)	41A5329	1
USB FULL--Arabic (New) (models 74G 76G 77G 78G 79G 7BG 7CG 73G 75G 7KG 7FG 7HG 7JG)	45J4880	1
USB FULL--Lithuanian (models 74G 76G 77G 78G 79G 7BG 7CG 73G 75G 7KG 7FG 7HG 7JG)	45J4896	1
USB FULL--Estonia (models)	51J0059	1

7522 Keyboards (Lenovo Fingerprint Reader USB)	FRU#	CRU
US English (models)	41R0038	1
Arabic (models)	41R0039	1
Arabic/French (models)	41R0040	1
Belgium French (models)	41R0041	1
Belgium English (models)	41R0042	1
Brazilian Portuguese (models)	41R0043	1
Bulgarian (models)	41R0044	1
Chinese/US (models)	41R0045	1
Czech (ABB) (models)	41R0046	1
Danish (models)	41R0047	1
Dutch (models)	41R0048	1
French (models)	41R0049	1
French Canadian (models)	41R0050	1
French Canadian (models)	41R0051	1
German (models)	41R0052	1
Greek (models)	41R0053	1
Greek/US (models)	41R0054	1
Hebrew (models)	41R0055	1
Hungarian (models)	41R0056	1
Iceland (models)	41R0057	1
Italian (models)	41R0058	1
Japanese (models)	41R0059	1
Korean (models)	41R0060	1
LA Spanish (models)	41R0061	1
Norwegian (models)	41R0062	1
Polish (models)	41R0063	1
Portuguese (models)	41R0064	1
Romanian (models)	41R0065	1
Romanian (models)	41R0066	1
Russian/Cyrillic (models)	41R0067	1
Serbian/Cyrillic (models)	41R0068	1
Slovak (models)	41R0069	1
Spanish (models)	41R0070	1

7522 Keyboards (Lenovo Fingerprint Reader USB)	FRU#	CRU
Swedish/Finnish (models)	41R0071	1
Swiss French/German (models)	41R0072	1
Thailand (models)	41R0073	1
Turkish (models)	41R0074	1
Turkish (models)	41R0075	1
UK English (models)	41R0076	1
US Euro (models)	41R0077	1
Slovenian (models)	41R0078	1

7522 Keyboards (Lenovo preferred Pro PS/2 Full Size)	FRU#	CRU
US English (models)	41A5039	1
Arabic (models)	41A5040	1
Arabic (New) (models)	45J4880	1
Arabic French (models)	41A5041	1
Belgium French (models)	41A5042	1
Belgium English (models)	41A5043	1
Brazilian Portuguese (models)	41A5044	1
Bulgarian (models)	41A5045	1
Chinese/US (models)	41A5046	1
Czech (ABB) (models)	41A5047	1
Danish (models)	41A5048	1
Dutch (models)	41A5049	1
French (models)	41A5050	1
French Canadian (models)	41A5051	1
French Canadian (models)	41A5052	1
German (models)	41A5053	1
Greek (models)	41A5054	1
Greek/US (models)	41A5080	1
Hebrew (models)	41A5055	1
Hungarian (models)	41A5056	1
Iceland (models)	41A5057	1
Italian (models)	41A5058	1
Japanese (models)	41A5059	1
Korean (models)	41A5060	1
LA Spanish (models)	41A5061	1
Norwegian (models)	41A5062	1
Polish (models)	41A5063	1
Portuguese (models)	41A5064	1
Romanian (models)	41A5065	1
Russian/Cyrillic (models)	41A5066	1
Serbian/Cyrillic (models)	41A5067	1

7522 Keyboards (Lenovo preferred Pro PS/2 Full Size)	FRU#	CRU
Slovak (models)	41A5068	1
Spanish (models)	41A5069	1
Swedish/Finnish (models)	41A5070	1
Swiss French/German (models)	41A5071	1
Thailand (models)	41A5072	1
Turkish (models)	41A5073	1
Turkish (models)	41A5074	1
UK English (models)	41A5075	1
US Euro (models)	41A5076	1
Slovenian (models)	41A5077	1

7522 Mice	FRU#	CRU
Optical Wheel Mouse OPT (400DPI, USB) (models 91C 91J H3M H3A H4A H4T H5M H5A B1M B2A B2Q B2T B6M B8M B8A B9M D1M E3M E3A E3K E4M E4A E4K E5M E5A E5K E7M E7A E8M E8A E8K F1M F1A F1K F2M F2A F3M F3A F5M F5A F6M F6A F6K F7M F7A 74G 74M 74A 74V 76G 77G 78G 79G 7BG 7CG 73G 75G A1S A1Y A2Q A4S A4P A4Y A4M A4A A4K D8S D8D D8Y E1S E1D E1Y E2S E2D E2Y F9U F9F H1U H1F H1M H1A H1J H2U H2F D6U D6F H6U H6F H7U H7F H8U H9A J1T J2T J3T J4U J4F J5U J5F J6U J6F 7KG 7FG 7HG 7JG 7LG 7MG 7NG J7M J8M J9M K1M K2M K3M K4M K5M K8J K9J L1J L2J L3J L4J L5J L6J L7J L8J L9J M1J M2J M3J M4J M5J M7J M8U M8F M8S M8D M8Y K6U K6F K6S K6D K6Y K7U K7F M9U M9F P1U P1F P2U P2F P3Q P4S P4D P4Y P5S P5D P5Y P6S P6D P6Y P7S P7D P7Y P8J P9J Q1J Q2J Q3J)	41U3013	1
Optical Wheel Mouse OPT (400DPI, USB) (models 91C 91J H3M H3A H4A H4T H5M H5A B1M B2A B2Q B2T B6M B8M B8A B9M D1M E3M E3A E3K E4M E4A E4K E5M E5A E5K E7M E7A E8M E8A E8K F1M F1A F1K F2M F2A F3M F3A F5M F5A F6M F6A F6K F7M F7A 74G 74M 74A 74V 76G 77G 78G 79G 7BG 7CG 73G 75G A1S A1Y A2Q A4S A4P A4Y A4M A4A A4K D8S D8D D8Y E1S E1D E1Y E2S E2D E2Y F9U F9F H1U H1F H1M H1A H1J H2U H2F D6U D6F H6U H6F H7U H7F H8U H9A J1T J2T J3T J4U J4F J5U J5F J6U J6F 7KG 7FG 7HG 7JG 7LG 7MG 7NG J7M J8M J9M K1M K2M K3M K4M K5M K8J K9J L1J L2J L3J L4J L5J L6J L7J L8J L9J M1J M2J M3J M4J M5J M7J M8U M8F M8S M8D M8Y K6U K6F K6S K6D K6Y K7U K7F M9U M9F P1U P1F P2U P2F P3Q P4S P4D P4Y P5S P5D P5Y P6S P6D P6Y P7S P7D P7Y P8J P9J Q1J Q2J Q3J)	41U3030	1

7522 Adapters and miscellaneous FRUs	FRU#	CRU
Internal 25 in 1 USB Memory Card Reader Slim (models)	46R1529	1
IEEE 1394 Firewire Adapter (models)	41D2781	1
Soft Modem V.90/V.44 (models)	46R4220	1
Speaker power brick - US, Canada, LA low voltage, ASEAN (models F9U H1U H2U D6U H6U H7U H8U J4U J5U J6U)	89P8571	1
Speaker power brick - LA high voltage (non-APU) (models)	89P8575	1
Speaker power brick - Simplified Chinese, Thailand EMEA (models 74G 76G 77G 78G 79G 7BG 7CG 73G 75G 7KG 7FG 7HG 7JG)	89P8581	1
Speaker power brick - Japanese (models 91J H1J K8J K9J L1J L2J L3J L4J L5J L6J L7J L8J L9J M1J M2J M3J M4J M5J M7J P8J P9J Q1J Q2J Q3J)	89P8577	1
Speaker power brick - Brazil (models)	89P8583	1
Speaker power brick - Argentina (models)	41A4901	1

7522 Adapters and miscellaneous FRUs	FRU#	CRU
Speaker power brick - ANZ (models H3M H5M B1M B6M B8M B9M D1M E3M E4M E5M E7M E8M F1M F2M F3M F5M F6M F7M 74M A4M H1M)	89P8579	1
Speaker power brick - Korea (models)	41A4903	1
Speaker power brick - Hong Kong, EMEA, Ireland (models 74G 76G 77G 78G 79G 7BG 7CG 73G 75G 7KG 7FG 7HG 7JG)	89P8573	1
Speaker power brick -Taiwan-Traditional Chinese (models 74V)	41A4905	1
Speaker power brick - India, South Africa (models B2Q A2Q)	89P8585	1
2-pc external speaker--primary (models)	41A5331	1
2-pc external speaker-secondary (models)	41A5334	1
DVI-I(M)-VGA(F) cord (models)	41R3342	1
ATI HD3470 GDDR3 256MB - VGA+DP (models)	46R1521	1
ADD2 DVI-D Adapter, (HDCP) DVD-D connection Adapter Low Profile (Silicon Image) (models 73G 75G)	43C0258	1
DisplayPort to DVI-D Dongle (models)	43N9160	1
DisplayPort to VGA Dongle (models)	45J9524	1
Modem phone cable (models)	39K5120	1
LI140mm Rear Com2 cable II mini® (models)	43N9062	2
Rear USB 2 Ports II LP® 350 mm (models)	43N9124	2
NVIDIA G100 DDR2 256MB LP - DVI-I (With DVI-I to VGA Dongle) (models CTO)	53Y9341	1

7522 Power Cords (Primary)	FRU#	CRU
Power cord - US (models H3A H4A H4T H5A B2A B2T B8A E3A E4A E5A E7A E8A F1A F2A F3A F5A F6A F7A 74A A1S A1Y A4S A4Y A4A D8S D8Y E1S E1Y E2S E2Y F9U F9F H1U H1F H1A H2U H2F D6U D6F H6U H6F H7U H7F H8U H9A J1T J2T J3T J4U J4F J5U J5F J6U J6F M8U M8F M8S M8Y K6U K6F K6S K6Y K7U K7F M9U M9F P1U P1F P2U P2F P4S P4Y P5S P5Y P6S P6Y P7S P7Y)	41R3184	1
Power cord - China (models 91C)	41R3256	1
Power cord - Japanese and Japanese English (models 91J H1J K8J K9J L1J L2J L3J L4J L5J L6J L7J L8J L9J M1J M2J M3J M4J M5J M7J P8J P9J Q1J Q2J Q3J)	41R3248	1
Power cord - Brazil (models)	41R3270	1
Power cord - Brazil - optional (models)	45J9595	1
Power cord - LA High Volt (APU) (models)	41R3176	1
Power cord - Australia / New Zealand (models)	41R3196	1
Power cord - Korea (models)	41R3260	1
Power cord - UK, Ireland, Singapore, Malaysia, Brunei, Hong Kong (models)	41R3224	1
Power cord - Taiwan (models 74V)	41R3278	1
Power cord - Italy (models)	41R3232	1
Power cord - Indonesia, Laos, Cambodia, Vietnam, Austria, Belgium, Croatia, Czechoslovakia, Finland, France, Germany, Hungary, Netherlands, Norway, Poland, Portugal, Romania, Spain, Sweden (models H3A H4A H4T H5A B2A B2T B8A E3A E4A E5A E7A E8A F1A F2A F3A F5A F6A F7A 74A A1S A1Y A4S A4Y A4A D8S D8Y E1S E1Y E2S E2Y F9U F9F H1U H1F H1A H2U H2F D6U D6F H6U H6F H7U H7F H8U H9A J1T J2T J3T J4U J4F J5U J5F J6U J6F M8U M8F M8S M8Y K6U K6F K6S K6Y K7U K7F M9U M9F P1U P1F P2U P2F P4S P4Y P5S P5Y P6S P6Y P7S P7Y)	41R3208	1

7522 Power Cords (Primary)	FRU#	CRU
Power cord - Denmark (models 74G 76G 77G 78G 79G 7BG 7CG 73G 75G 7KG 7FG 7HG 7JG)	41R3212	1
Power cord - Switzerland (models 74G 76G 77G 78G 79G 7BG 7CG 73G 75G 7KG 7FG 7HG 7JG)	41R3228	1
Power cord - Israel (models 74G 76G 77G 78G 79G 7BG 7CG 73G 75G 7KG 7FG 7HG 7JG)	41R3236	1
Power cord - South Africa (models H3M H3A H4A H5M H5A B1M B2A B6M B8M B8A B9M D1M E3M E3A E4M E4A E5M E5A E7M E7A E8M E8A F1M F1A F2M F2A F3M F3A F5M F5A F6M F6A F7M F7A 74G 74M 74A 76G 77G 78G 79G 7BG 7CG 73G 75G A4M A4A H1M H1A H9A 7KG 7FG 7HG 7JG)	41R3220	1
Power cord - India (models B2Q A2Q)	41R3341	1
Power cord - Thailand (models H4T B2T J1T J2T J3T)	43N9029	1

7522 Power Cords (Secondary)	FRU#	CRU
Power cord - US (models H3A H4A H4T H5A B2A B2T B8A E3A E4A E5A E7A E8A F1A F2A F3A F5A F6A F7A 74A A1S A1Y A4S A4Y A4A D8S D8Y E1S E1Y E2S E2Y F9U F9F H1U H1F H1A H2U H2F D6U D6F H6U H6F H7U H7F H8U H9A J1T J2T J3T J4U J4F J5U J5F J6U J6F M8U M8F M8S M8Y K6U K6F K6S K6Y K7U K7F M9U M9F P1U P1F P2U P2F P4S P4Y P5S P5Y P6S P6Y P7S P7Y)	41R3185	1
Power cord - China (models 91C)	41R3257	1
Power Cord - Japanese and Japanese English (models 91J H1J K8J K9J L1J L2J L3J L4J L5J L6J L7J L8J L9J M1J M2J M3J M4J M5J M7J P8J P9J Q1J Q2J Q3J)	41R3249	1
Power cord - Brazil (models)	41R3271	1
Power cord - LA High Volt (APU) (models)	41R3177	1
Power cord - Australia / New Zealand (models)	41R3197	1
Power cord - Korea (models)	41R3261	1
Power cord - UK, Ireland, Singapore, Malaysia, Brunei, Hong Kong (models)	41R3225	1
Power cord - Taiwan (models 74V)	41R3279	1
Power cord - Italy (models)	41R3233	1
Power cord - Indonesia, Laos, Cambodia, Vietnam, Austria, Belgium, Croatia, Czechoslovakia, Finland, France, Germany, Hungary, Netherlands, Norway, Poland, Portugal, Romania, Spain, Sweden (models H3A H4A H4T H5A B2A B2T B8A E3A E4A E5A E7A E8A F1A F2A F3A F5A F6A F7A 74A A1S A1Y A4S A4Y A4A D8S D8Y E1S E1Y E2S E2Y F9U F9F H1U H1F H1A H2U H2F D6U D6F H6U H6F H7U H7F H8U H9A J1T J2T J3T J4U J4F J5U J5F J6U J6F)	41R3209	1
Power cord - Denmark (models H3A H4A H4T H5A B2A B2T B8A E3A E4A E5A E7A E8A F1A F2A F3A F5A F6A F7A 74A A1S A1Y A4S A4Y A4A D8S D8Y E1S E1Y E2S E2Y F9U F9F H1U H1F H1A H2U H2F D6U D6F H6U H6F H7U H7F H8U H9A J1T J2T J3T J4U J4F J5U J5F J6U J6F M8U M8F M8S M8Y K6U K6F K6S K6Y K7U K7F M9U M9F P1U P1F P2U P2F P4S P4Y P5S P5Y P6S P6Y P7S P7Y)	41R3213	1
Power cord - Switzerland (models 74G 76G 77G 78G 79G 7BG 7CG 73G 75G 7KG 7FG 7HG 7JG)	41R3229	1
Power cord - Israel (models 74G 76G 77G 78G 79G 7BG 7CG 73G 75G 7KG 7FG 7HG 7JG)	41R3237	1
Power cord - South Africa (models H3M H3A H4A H5M H5A B1M B2A B6M B8M B8A B9M D1M E3M E3A E4M E4A E5M E5A E7M E7A E8M E8A F1M F1A F2M F2A F3M F3A F5M F5A F6M F6A F7M F7A 74G 74M 74A 76G 77G 78G 79G 7BG 7CG 73G 75G A4M A4A H1M H1A H9A 7KG 7FG 7HG 7JG)	41R3221	1
Power cord - India (models B2Q A2Q)	41R3175	1
Power cord - Thailand (models H4T B2T J1T J2T J3T)	43N9030	1

7522 Power Cords (Secondary)	FRU#	CRU
Power cord - Y cable for Brazil (models)	43N9044	1

7522 Windows XP Home Recovery CDs	FRU#	CRU
US English/UK/Asia Pacific (models)	TBD	1
French/French Canadian (models)	TBD	1
Greek (models)	TBD	1
Italy (models)	TBD	1
Brazilian (models)	TBD	1
Spanish/LA (models)	TBD	1
Danish (models)	TBD	1
Dutch (models)	TBD	1
Arabic (models)	TBD	1
Swedish (models)	TBD	1
Hebrew (models)	TBD	1
Finnish (models)	TBD	1
Norwegian (models)	TBD	1
Polish (models)	TBD	1
Portuguese (models)	TBD	1
Russian (models)	TBD	1
Russian English (models)	TBD	1
Hungarian (models)	TBD	1
Czech (models)	TBD	1
Turkish native (models)	TBD	1
Greek (models)	TBD	1
Japanese (models)	TBD	1
Simplified Chinese (models)	TBD	1
Taiwan-TC (models)	TBD	1
Hong Kong-TC (models)	TBD	1
Korean (models)	TBD	1

7522 Windows XP Pro Recovery Discs	FRU#	CRU
Hebrew (models 76G 78G 7BG 75G 7FG 7JG)	71Y7506	1
Portuguese (models 76G 78G 7BG 75G 7FG 7JG)	71Y7514	1
Russian English (models 76G 78G 7BG 75G 7FG 7JG)	71Y7510	1
Hungarian (models 76G 78G 7BG 75G 7FG 7JG)	71Y7512	1
Slovenian (models 76G 78G 7BG 75G 7FG 7JG)	71Y7515	1
Korea (models)	71Y7519	1
US English (models E7M E7A F1M F1A F5M F5A F6M F6A 76G 78G 7BG 75G A4M A4A F9U H1U H1M H1A H2U D6U H6U H8U H9A J4U J5U J6U 7FG 7JG)	71Y7493	1
French (models 76G 78G 7BG 75G F9F H1F H2F D6F H6F J4F J5F J6F 7FG 7JG)	71Y7494	1
German (models 76G 78G 7BG 75G 7FG 7JG)	71Y7495	1

7522 Windows XP Pro Recovery Discs	FRU#	CRU
Italian (models)	71Y7498	1
Brazilian Portuguese (models 76G 78G 7BG 75G 7FG 7JG)	71Y7497	1
Spanish (models 76G 78G 7BG 75G 7FG 7JG)	71Y7496	1
Danish (models 76G 78G 7BG 75G 7FG 7JG)	71Y7502	1
Dutch (models 76G 78G 7BG 75G 7FG 7JG)	71Y7503	1
Arabic (models 76G 78G 7BG 75G 7FG 7JG)	71Y7508	1
Swedish (models 76G 78G 7BG 75G 7FG 7JG)	71Y7501	1
Finnish (models 76G 78G 7BG 75G 7FG 7JG)	71Y7505	1
Norwegian (models 76G 78G 7BG 75G 7FG 7JG)	71Y7500	1
Polish (models 76G 78G 7BG 75G 7FG 7JG)	71Y7507	1
Russian (models 76G 78G 7BG 75G 7FG 7JG)	71Y7509	1
Czech (models 76G 78G 7BG 75G 7FG 7JG)	71Y7504	1
Turkish (models 76G 78G 7BG 75G 7FG 7JG)	71Y7511	1
Greek (models 76G 78G 7BG 75G 7FG 7JG)	71Y7513	1
Japanese (models H1J)	71Y7499	1
Simplified Chinese (models)	71Y7516	1
Traditional Chinese (models)	71Y7517	1
Hong Kong (models)	71Y7518	1
MUI Nordics (EN-DK-FI-NO-SV) (models)	71Y7520	1
MUI Switz (US EN-FR -GR-IT) (models E7M E7A F1M F1A F5M F5A F6M F6A 76G 76G 78G 78G 7BG 7BG 75G 75G A4M A4A F9U F9F H1U H1F H1M H1A H2U H2F D6U D6F H6U H6F H8U H9A J4U J4F J5U J5F J6U J6F 7FG 7FG 7JG 7JG)	71Y7521	1
MUI Bel-Lux (EN-FR-GR-NL) (models E7M E7A F1M F1A F5M F5A F6M F6A 76G 76G 78G 78G 7BG 7BG 75G 75G A4M A4A F9U F9F H1U H1F H1M H1A H2U H2F D6U D6F H6U H6F H8U H9A J4U J4F J5U J5F J6U J6F 7FG 7FG 7JG 7JG)	71Y7522	1

7522 Vista Home Basic 32 Recovery DVDs	FRU#	CRU
US English (models)	64Y8594	1
French (models)	64Y8596	1
German (models)	64Y8597	1
Spanish (models)	64Y8598	1
Brazilian (models)	64Y8599	1
Italian (models)	64Y8600	1
Dutch (models)	64Y8614	1
Czech (models)	64Y8601	1
Polish (models)	64Y8602	1
Russian (models)	64Y8603	1
Turkish (models)	64Y8604	1
Hungarian (models)	64Y8605	1
Greek (models)	64Y8606	1
Portuguese (models)	64Y8617	1
Simplified Chinese (models)	64Y8608	1

7522 Vista Home Basic 32 Recovery DVDs	FRU#	CRU
Hong Kong (models)	64Y8610	1
Traditional Chinese (models)	64Y8609	1
Korean (models)	64Y8611	1
Slovenian (models)	64Y8612	1
Russian English (models)	64Y8595	1
Hebrew (models)	64Y8615	1
Arabic Localized (models)	64Y8613	1
Slovakian (models)	64Y8619	1
Romanian (models)	64Y8616	1
Serbian-Latin (models)	64Y8618	1
C&L 1 Nordics (EN DK FI NO SV) (models)	64Y8620	1
C&L 2 Switzerland (EN FR GR IT) (models)	64Y8621	1
C&L 3 Bel Lux (EN FR GR NL) (models)	64Y8622	1
Japanese (models)	64Y8607	1

7522 Vista Business 32 Recovery DVDs	FRU#	CRU
US English (models H3M H3A H5M H5A B1M B2A B2Q B6M B8M B8A B9M D1M E3M E3A E4M E4A E5M E5A E8M E8A F2M F2A F3M F3A F7M F7A 74G 74M 74A 77G 79G 7CG 73G H7U 7KG 7HG)	64Y8565	1
French (models 74G 77G 79G 7CG 73G H7F 7KG 7HG)	64Y8567	1
German (models 74G 77G 79G 7CG 73G 7KG 7HG)	64Y8568	1
Spanish (models 74G 77G 79G 7CG 73G 7KG 7HG)	64Y8569	1
Brazilian Portuguese (models)	64Y8570	1
Italian (models 74G 77G 79G 7CG 73G 7KG 7HG)	64Y8571	1
Japanese (models)	64Y8578	1
Dutch (models 74G 77G 79G 7CG 73G 7KG 7HG)	64Y8585	1
Czech (models)	64Y8572	1
Polish (models 74G 77G 79G 7CG 73G 7KG 7HG)	64Y8573	1
Russian (models 74G 77G 79G 7CG 73G 7KG 7HG)	64Y8574	1
Turkish (models 74G 77G 79G 7CG 73G 7KG 7HG)	64Y8575	1
Hungarian (models 74G 77G 79G 7CG 73G 7KG 7HG)	64Y8576	1
Greek (models 74G 77G 79G 7CG 73G 7KG 7HG)	64Y8577	1
Portuguese (models)	64Y8588	1
Simplified Chinese (models)	64Y8579	1
Traditional Chinese (models)	64Y8580	1
Hong Kong (models)	64Y8581	1
Korean (models E3K E4K E5K E8K)	64Y8582	1
Slovenian (models 74G 77G 79G 7CG 73G 7KG 7HG)	64Y8583	1
Russian English (models 74G 77G 79G 7CG 73G 7KG 7HG)	64Y8566	1
Romanian (models 74G 77G 79G 7CG 73G 7KG 7HG)	64Y8587	1
Serbian-Latin (models 74G 77G 79G 7CG 73G 7KG 7HG)	64Y8589	1

7522 Vista Business 32 Recovery DVDs	FRU#	CRU
Slovakian (models 74G 77G 79G 7CG 73G 7KG 7HG)	64Y8590	1
Arabic Localized (models 74G 77G 79G 7CG 73G 7KG 7HG)	64Y8584	1
Hebrew (models 74G 77G 79G 7CG 73G 7KG 7HG)	64Y8586	1
C&L 1 Nordics (EN DK FI NO SV) (models)	64Y8591	1
C&L 2 Switzerland (EN FR GR IT) (models)	64Y8592	1
C&L 3 Bel Lux (EN FR GR NL) (models)	64Y8593	1

7522 Vista Home Premium 32 Recovery DVDs	FRU#	CRU
US English (models)	64Y8623	1
French (models)	64Y8624	1
German (models)	64Y8625	1
Spanish (models)	64Y8626	1
Italian (models)	64Y8628	1
Japanese (models)	64Y8629	1
Hong Kong (models)	64Y8630	1
Korean (models)	64Y8627	1
C&L 1 Nordics (EN DK FI NO SV) (models)	64Y8631	1
C&L 2 Switzerland (EN FR GR IT) (models)	64Y8632	1
C&L 3 Bel Lux (EN FR GR NL) (models)	64Y8633	1

7522 Vista Business 64 Recovery DVDs	FRU#	CRU
US English (models)	64Y8643	1
French (models)	64Y8644	1
German (models)	64Y8645	1
Japanese (models)	64Y8646	1
Simplified Chinese (models)	64Y8647	1

7522 Vista Ultimate 32 Recovery DVDs	FRU#	CRU
US English (models)	64Y8634	1
Japanese (models)	64Y8635	1
French (models)	64Y8636	1
German (models)	64Y8637	1
Spanish (models)	64Y8638	1
Italian (models)	64Y8639	1
Hong Kong - Traditional Chinese (models)	64Y8640	1
Arabic localized (models)	64Y8641	1
C&L 1 Nordics (EN DK FI NO SV) (models)	64Y8642	1

7522 Vista Starter 32 Recovery DVDs	FRU#	CRU
English (models)	TBD	1

7522 Windows 7 Home Basic 32 Recovery DVDs	FRU#	CRU
Arabic (models)	71Y7549	1
India English (models)	71Y8655	1
Russian English (models)	71Y7550	1
Russian (models)	71Y7551	1
Spanish (models)	71Y7552	1
Serbian-Latin (models)	71Y7553	1
Turkish (models)	71Y7554	1
English (models)	71Y7555	1

7522 Windows 7 Home Premium 32 Recovery DVDs	FRU#	CRU
Traditional Chinese (models)	71Y7556	1
India English (models)	71Y8656	1
French (models)	71Y7557	1
Hong Kong (models)	71Y7558	1
Italian (models)	71Y7559	1
Japan (models)	71Y7560	1
Korean (models)	71Y7561	1
Spanish (models)	71Y7562	1
English (models)	71Y7563	1
C&L Bel Lux (EN FR GR NL) (models)	71Y7564	1
C&L Nordics (EN DK FI NO SV) (models)	71Y7565	1
C&L Switzerland (EN FR GR IT) (models)	71Y7566	1

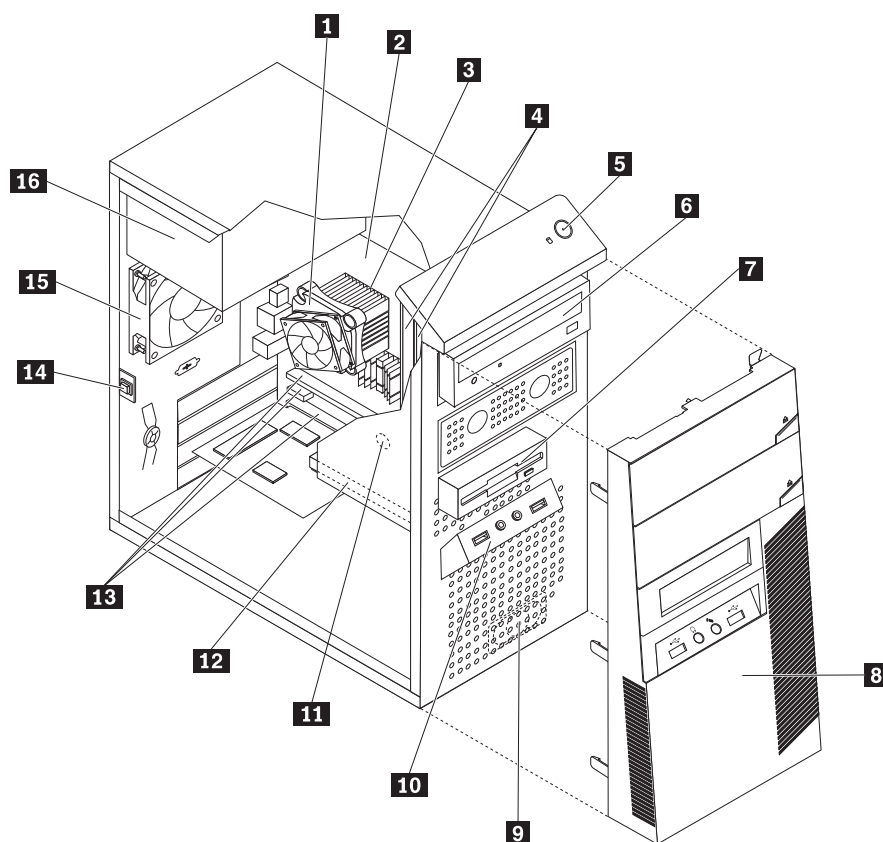
7522 Windows 7 Professional 32 Recovery DVDs	FRU#	CRU
Arabic (models)	71Y7523	1
Traditional Chinese (models)	71Y7524	1
Czech (models)	71Y7525	1
India English (models)	71Y8654	1
French (models)	71Y7526	1
Greek (models)	71Y7527	1
German (models)	71Y7528	1
Hebrew (models)	71Y7529	1
Hong Kong (models)	71Y7530	1
Hungarian (models)	71Y7531	1
Italian (models)	71Y7532	1
Japan (models P8J P9J Q1J Q2J Q3J)	71Y7533	1
Korean (models)	71Y7534	1
Polish (models)	71Y7535	1
Portuguese (models)	71Y7536	1
Russian English (models)	71Y7537	1
Romanian (models)	71Y7538	1

7522 Windows 7 Professional 32 Recovery DVDs	FRU#	CRU
Russian (models)	71Y7539	1
Slovakia (models)	71Y7540	1
Slovenian (models)	71Y7541	1
Spanish (models M8S M8D M8Y K6S K6D K6Y P4S P4D P4Y P5S P5D P5Y P6S P6D P6 P7S P7D P7Y)	71Y7542	1
Serbian-Latin (models)	71Y7543	1
Turkish (models)	71Y7544	1
English (models)	71Y7545	1
C&L Bel Lux (EN FR GR NL) (models)	71Y7546	1
C&L Nordics (EN DK FI NO SV) (models)	71Y7547	1
C&L Switzerland (EN FR GR IT) (models)	71Y7548	1

7522 Windows 7 Professional 64 Recovery DVDs	FRU#	CRU
Traditional Chinese (models)	71Y7574	1
India English (models)	71Y8658	1
French (models)	71Y7575	1
German (models)	71Y7576	1
Hong Kong (models)	71Y7577	1
Italian (models)	71Y7578	1
Japan (models)	71Y7579	1
Spanish (models)	71Y7580	1
English (models)	71Y7581	1
C&L Bel Lux (EN FR GR NL) (models)	71Y7582	1
C&L Nordics (EN DK FI NO SV) (models)	71Y7583	1
C&L Switzerland (EN FR GR IT) (models)	71Y7584	1

7522 Windows 7 Starter Recovery DVDs	FRU#	CRU
Arabic (models)	71Y7567	1
India English (models)	71Y8657	1
Russian English (models)	71Y7568	1
Russian (models)	71Y7569	1
Spanish (models)	71Y7570	1
Serbian-Latin (models)	71Y7571	1
Turkish (models)	71Y7572	1
English (models)	71Y7573	1

Machine type 7523



Item#	7523 FRUs	FRU#	CRU
1	Intel 95W / 65W heat sink (all models)	43N9409	2
1	Intel 65W heat sink (all models)	43N9708	2
1	Intel 65W heat sink (all models)	45K6227	2
1	Intel 95W / 65W heat sink (all models)	43N9897	2
2	System board, Intel G41 MATX(GA) non-AMT (models 91G 91J 71G 72G)	46R8891	N
2	System board, Intel G41 MATX(GA) -NB upgrade (models 91G 91J 71G 72G)	64Y9197	N
2	System board, Intel G41 MATX -- EuP and No TCM header (models)	71Y6838	N
3	Microprocessor, E7400 2.8GHZ 1066M 3M R0 (ViiV, EIST, EM64T, EDB) 65W (models 71G)	53Y6653	N
3	Microprocessor, E7500 2.93GHZ 1066M 3M R0 (ViiV, EIST, EM64T, EDB) 65W (models)	53Y6654	N
3	Microprocessor, E5300 2.6GHz 800MHz 2MB R0 (EIST, EM64T, EDB) 65W (models)	53Y9049	N
3	Microprocessor, E1500 2.2GHz 800MHz 512KB (EIST, EM64T, EDB) M0 65W (models)	53Y9051	N
3	Microprocessor, Q8300 Yorkfield 2.5GHZ, 1333MHz, 4M R-0 (ViiV, EIST, EM64T, EDB) 95W (models)	53Y6656	N
3	Microprocessor, E8600 3.33GHZ/1333MHZ/6M E0 65W (models)	46R8640	N
3	Microprocessor, E8500 3.16GHz 1333MHz FSB 6M C-0 65W (models)	45C7735	N
3	Microprocessor, E8400 3.0GHz 1333MHz FSB 6M C-0 65W (models)	45C7736	N

Item#	7523 FRUs	FRU#	CRU
3	Microprocessor, E8300 2.83GHz 1333MHz FSB 6M C-0 65W (models)	45C7737	N
3	Microprocessor, E7200 2.53GHz 1066MHz FSB 3M M-0 65W (models)	45R8337	N
3	Microprocessor, E7300 2.66GHz 1066MHz FSB 3M M-0 65W (models)	46R1622	N
3	Microprocessor, E2200 Conroe-L 2.2GHz 800MHz FSB 1M (models)	45C5349	N
3	Microprocessor, E2220 Conroe-L 2.4GHz 800MHz FSB 1M (models)	45C1774	N
3	Microprocessor, E5200 2.5G 800MHz 2M M-0 65W, 45nm (models 91G 91J 72G)	46R9512	N
3	Microprocessor, E1600 2.4GHZ/800MHZ/512K - NPI M-0 65W (models)	46R1655	N
3	Microprocessor, E1400 2.0GHz 800MHz FSB 512K - NPI M-0 65W (models)	45R8339	N
3	Microprocessor, Cel-440 Conroe-L 2.0GHz 800MHz FSB 512K (models)	43C1965	N
3	Microprocessor, Cel-450 2.2GHz 800MHz FSB 512K 35W (models)	46R9514	N
3	Microprocessor, Q9650 3.0GHZ 1333FSB 12MB VT, TXT E-0 95W (models)	46R8642	N
3	Microprocessor, Q9400 2.66GHZ 1333FSB 6MB VT, TXT R-0 95W (models)	46R8644	N
3	Microprocessor, Q8200 2.33GHz 1333FSB 4M M-1 95W (models)	46R9516	N
3	Microprocessor, Q9550 2.83GHZ 1333FSB 12M C-1 95W (models)	45C7739	N
3	Microprocessor, Q9450 Yorkfield 2.66GHZ 1333FSB 12M C-1 95W (models)	45C7740	N
3	Microprocessor, Q9300 Yorkfield 2.50GHZ 1333FSB 6M M-1 95W (models)	45C7741	N
3	Microprocessor, E5400 2.7G 800MHz 2MB 65W Non-vPro SKU (models)	64Y1075	N
3	Microprocessor, E7600 3.06GHZ 1066M 3M 65W (models)	71Y3486	N
3	Microprocessor, Q8400 2.66GHZ,1333MHZ,4M 95W (models)	71Y3488	N
3	Microprocessor, E6300 2.8G 1066MHz-2MB 65W (models)	71Y3484	N
3	Microprocessor, E6500 2.93GHZ 1066 MHz-2MB 65W R0 (models)	71Y6250	N
3	Microprocessor, E3300 2.5GHZ 800 MHz-1MB 65W R0 (models)	71Y6252	N
3	Microprocessor, E3200 2.4GHZ 800 MHz-1MB 65W R0 (models)	71Y6251	N
4	Memory module, 512MB PC2-5300 (667MHz) DDR2 SDRAM (models)	41X4255	1
4	Memory module, 1GB PC2-5300 (667MHz) DDR2 SDRAM (models)	41X4256	1
4	Memory module, 2GB PC2-5300 (667MHz) DDR2 SDRAM (models)	41X4257	1
4	Memory module, 512MB PC2-6400 (800MHz) DDR2 SDRAM (models)	41X1079	1
4	Memory module, 1GB PC2-6400 (667MHz) DDR2 SDRAM (models 91G 91J 72G)	41X1080	1
4	Memory module, 2GB PC2-6400 (667MHz) DDR2 SDRAM (models 71G)	41X1081	1
6	Optical drive, DVD-ROM Drive - 16x/48x - SATA - for Windows 7 (models)	71Y5543	1
6	Optical drive, DVD Recordable Rambo 8 - SATA 12XRAM Write - for Windows 7 (models 91G 91J 71G 72G)	71Y5545	1
6	Optical drive, Blu-ray Recordable / DVD Super Multi - for Windows 7 (models)	71Y5547	1
7	Diskette drive, 3.5" 1.44MB 2 Mode FDD with Bezel and cable (models)	40Y9107	1
7	Diskette drive, 3.5" 1.44MB 2 Mode FDD with Bezel and cable (models)	40Y9105	1
8	Front bezel assembly (all models)	43N9662	1
8	Front bezel with ODD door assembly (all models)	43N9694	2
9	Internal speaker 400mm -- Optional (all models)	43N9091	2
11	Battery 3V - Lithium (models 91G 91J 71G 72G)	45C1566	1
12	Hard disk drive, SATA 160GB 7200RPM/3Gb/8MB (models)	40Y9035	1
12	Hard disk drive, SATA 250GB 7200RPM/3Gb/8MB (models 91G 91J 71G 72G)	40Y9036	1

Item#	7523 FRUs	FRU#	CRU
12	Hard disk drive, SATA 320GB 7200rpm SATA/8MB (models)	87H4891	1
12	Hard disk drive, SATA 500GB 7200RPM/3Gb/s/8MB (models)	41X5582	1
12	Hard disk drive, 1TB 7200rpm SATA (models)	45C5973	1
12	Hard disk drive, SATA 160GB 7200RPM/3Gb/8MB - optional (models)	53Y6837	1
12	Hard disk drive, SATA 250GB 7200RPM/3Gb/8MB - optional (models)	45K0408	1
12	Hard disk drive, SATA 320GB 7200RPM SATA/8MB - optional (models)	45K0409	1
12	Hard disk drive, SATA 500GB 7200RPM/3Gb/s/8MB - optional (models)	45K0410	1
12	Hard disk drive, 1TB 7200RPM SATA - optional (models)	45K0412	1
12	Hard disk drive, 150G 10K RPM, SATA (models)	46R6400	1
14	Intrusion Switch Asm 475mm --Optional (all models)	39K5022	2
14	Intrusion Switch Asm (all models)	41R6116	2
15	System fan, rear (all models)	41R6269	2
16	Power supply, ATX 450W 80% power supply, Robust, WW, JP (models 91G 91J 71G 72G)	41A9721	2
16	Power supply, ATX 280W power supply, Robust, WW (models 91G 71G 72G)	41A9684	2
16	Power supply, ATX 280W 80% power supply, Robust, WW, JP (models 91G 91J 71G 72G)	41A9665	2
16	Power supply, 280-watt ATX, (85plus)-WW, Robust, JP (models 91G 91J 71G 72G)	45J9431	2
16	Power supply, ATX 280W, Robust; WW for EUP (models 91G 71G 72G)	45J9436	2

The FRUs listed in the following tables are not illustrated.

7523 FRUs	FRU#	CRU
Chassis (all models)	45K6346	2
System fan, front fan used for 2X500G (all models)	43N9599	2
Shield, 5.25 EMC FOR 1st ODD Bay (all models)	41N8080	1
Cable - SATA 457 mm (RoHS) for ODD (all models)	43N9013	2
Cable - SATA, Second HDD, 120 mm, 1 latching for Device, RoHS (all models)	41R3328	2
Cable - SATA 250 mm (RoHS) for 1st HDD (all models)	43N9012	2
Second HDD Bracket Asm (all models)	41R6106	1
Temp Sense Cable (6pin 460 mm) (all models)	45J9495	2
FDD Cable (all models)	41A7182	2
FDD Cable, 310 mm (all models)	41A7147	2
I/O Shield (all models)	41N8053	2
Rear I/O Shield, ATX, 946, FOF (all models)	45K6266	2
HDD Tray (all models)	41R6291	1
ODD/FDD/Cardreader Retainers (all models)	43N9351	1
Cable Clip, FW-6D (all models)	43N9462	2
Power switch cable, 760 mm (all models)	45J9512	2
Front I_O cable_R (all models)	45J9506	2
Front I_O cable_R (all models)	45J9592	2
ODD door assembly (all models)	43N9663	1

7523 FRUs	FRU#	CRU
No FDD cover assembly (all models)	43N9664	1
FDD/Card reader cover (all models)	43N9665	1
Chassis primary HDD cage (all models)	45K6272	2
USB cover (all models)	43N9666	1
Top handle assembly (all models)	43N9667	1
3.5" Convert 2.5" for 150GB 10K rpm HDD (1st HDD bay) (all models)	43N9593	2
Thermal Grease (all models)	91P8835	N
Rubber foot (For acoustic improvement) (all models)	45K6278	2

7523 Keyboards (Lenovo Preferred Pro USB -- without hub)	FRU#	CRU
USB FULL--US English (models 91G 71G 72G)	41A5289	1
USB FULL--Arabic (models 91G 71G 72G)	41A5290	1
USB FULL--Arabic/French (models 91G 71G 72G)	41A5291	1
USB FULL--Belgium French (models 91G 71G 72G)	41A5292	1
USB FULL--Belgium English (models 91G 71G 72G)	41A5293	1
USB FULL--Brazilian Portuguese (models)	41A5294	1
USB FULL--Bulgarian (models 91G 71G 72G)	41A5295	1
USB FULL--Chinese/US (models)	41A5296	1
USB FULL--Czech (ABB) (models 91G 71G 72G)	41A5297	1
USB FULL--Danish (models 91G 71G 72G)	41A5298	1
USB FULL--Dutch (models 91G 71G 72G)	41A5299	1
USB FULL--French (models 91G 71G 72G)	41A5300	1
USB FULL--French Canadian (models 91G 71G 72G)	41A5301	1
USB FULL--French Canadian (models 91G 71G 72G)	41A5302	1
USB FULL--German (models 91G 71G 72G)	41A5303	1
USB FULL--Greek (models 91G 71G 72G)	41A5304	1
USB FULL--Greek/US (models 91G 71G 72G)	41A5305	1
USB FULL--Hebrew (models 91G 71G 72G)	41A5306	1
USB FULL--Hungarian (models 91G 71G 72G)	41A5307	1
USB FULL--Iceland (models 91G 71G 72G)	41A5308	1
USB FULL--Italy (models 91G 71G 72G)	41A5309	1
USB FULL--Japanese (models 91J)	41A5310	1
USB FULL--Korean (models)	41A5311	1
USB FULL--LA Spanish (models)	41A5312	1
USB FULL--Norwegian (models 91G 71G 72G)	41A5313	1
USB FULL--Polish (models 91G 71G 72G)	41A5314	1
USB FULL--Portuguese (models 91G 71G 72G)	41A5315	1
USB FULL--Romanian (models 91G 71G 72G)	41A5317	1
USB FULL--Romanian (models 91G 71G 72G)	41A5316	1
USB FULL--Russian/Cyrillic (models 91G 71G 72G)	41A5318	1
USB FULL--Serbian/Cyrillic (models 91G 71G 72G)	41A5319	1

7523 Keyboards (Lenovo Preferred Pro USB -- without hub)	FRU#	CRU
USB FULL--Slovak (models 91G 71G 72G)	41A5320	1
USB FULL--Spanish (models 91G 71G 72G)	41A5321	1
USB FULL--Swedish/Finnish (models 91G 71G 72G)	41A5322	1
USB FULL--Swiss French/German (models 91G 71G 72G)	41A5323	1
USB FULL--Thailand (models)	41A5324	1
USB FULL--Turkish (models 91G 71G 72G)	41A5325	1
USB FULL--Turkish (models 91G 71G 72G)	41A5326	1
USB FULL --UK English (models 91G 71G 72G)	41A5327	1
USB FULL--US Euro (models 91G 71G 72G)	41A5328	1
USB FULL--Slovenian (models 91G 71G 72G)	41A5329	1
USB FULL--Lithuanian (models 91G 71G 72G)	45J4896	1
USB FULL--Estonia (models CTO)	51J0059	1

7523 Keyboards (Lenovo Fingerprint Reader USB)	FRU#	CRU
US English (models)	41R0038	1
Arabic (models)	41R0039	1
Arabic/French (models)	41R0040	1
Belgium French (models)	41R0041	1
Belgium English (models)	41R0042	1
Brazilian Portuguese (models)	41R0043	1
Bulgarian (models)	41R0044	1
Chinese/US (models)	41R0045	1
Czech (ABB) (models)	41R0046	1
Danish (models)	41R0047	1
Dutch (models)	41R0048	1
French (models)	41R0049	1
French Canadian (models)	41R0050	1
French Canadian (models)	41R0051	1
German (models)	41R0052	1
Greek (models)	41R0053	1
Greek/US (models)	41R0054	1
Hebrew (models)	41R0055	1
Hungarian (models)	41R0056	1
Iceland (models)	41R0057	1
Italian (models)	41R0058	1
Japanese (models)	41R0059	1
Korean (models)	41R0060	1
LA Spanish (models)	41R0061	1
Norwegian (models)	41R0062	1
Polish (models)	41R0063	1
Portuguese (models)	41R0064	1

7523 Keyboards (Lenovo Fingerprint Reader USB)	FRU#	CRU
Romanian (models)	41R0065	1
Romanian (models)	41R0066	1
Russian/Cyrillic (models)	41R0067	1
Serbian/Cyrillic (models)	41R0068	1
Slovak (models)	41R0069	1
Spanish (models)	41R0070	1
Swedish/Finnish (models)	41R0071	1
Swiss French/German (models)	41R0072	1
Thailand (models)	41R0073	1
Turkish (models)	41R0074	1
Turkish (models)	41R0075	1
UK English (models)	41R0076	1
US Euro (models)	41R0077	1
Slovenian (models)	41R0078	1

7523 Mice	FRU#	CRU
Optical Wheel Mouse OPT (400DPI, USB) (models 91G 91J 71G 72G)	41U3013	1
Optical Wheel Mouse OPT (400DPI, USB) (models 91G 91J 71G 72G)	41U3030	1

7523 Adapters and miscellaneous FRUs	FRU#	CRU
Internal 25 in 1 USB Memory Card Reader (models)	45R8139	1
IEEE 1394 Firewire Adapter ATX (models)	41D2781	1
Speaker power brick - US, Canada, LA low voltage, ASEAN (models)	89P8571	1
Speaker power brick - LA high voltage (non-APU) (models)	89P8575	1
Speaker power brick - Simplified Chinese, Thailand EMEA (models 91G)	89P8581	1
Speaker power brick - Japanese (models 91J)	89P8577	1
Speaker power brick - Brazil (models)	89P8583	1
Speaker power brick - Argentina (models)	41A4901	1
Speaker power brick - ANZ (models)	89P8579	1
Speaker power brick - Korea (models)	41A4903	1
Speaker power brick - Hong Kong, EMEA, Ireland (models 91G)	89P8573	1
Speaker power brick -Taiwan-Traditional Chinese (models)	41A4905	1
Speaker power brick - India, South Africa (models)	89P8585	1
2-pc external speaker--primary (models)	41A5331	1
2-pc external speaker-secondary (models)	41A5334	1
DVI-I(M)-VGA(F) cord (models)	41R3342	1
Geforce 9500GT GDDR3 512MB - DVI+HDMI+DP (models)	46R1524	1
ATI HD3470 GDDR3 256MB - VGA+DP (models)	46R1521	1
ADD2 DVI-D Adapter, (HDCP) DVD-D connection Adapter Low Profile (Silicon Image) (models)	43C0258	1
DisplayPort to DVI-D Dongle (models)	43N9160	1

7523 Adapters and miscellaneous FRUs	FRU#	CRU
DisplayPort to VGA Dongle (models)	45J9524	1
Modem phone cable (models)	39K5120	1
LI300mm Rear USB 2Ports II HP® (models)	42Y8005	2
LI350mm Rear Com2 cable II mini® (models)	41R8548	2
NVIDIA G100 DDR2 256MB ATX - DVI-I+VGA (models)	53Y9249	1
Soft Modem V.90/V.44 ATX (models)	46R4220	1

7523 Power Cords (Primary)	FRU #	CRU
Power cord - US (models)	41R3184	1
Power cord - China (models)	41R3256	1
Power cord - Japanese and Japanese English (models 91J)	41R3248	1
Power cord - Brazil (models)	41R3270	1
Power cord - Brazil - optional (models)	45J9595	1
Power cord - LA High Volt (APU) (models)	41R3176	1
Power cord - Australia / New Zealand (models)	41R3196	1
Power cord - Korea (models)	41R3260	1
Power cord - UK, Ireland, Singapore, Malaysia, Brunei, Hong Kong (models)	41R3224	1
Power cord - Taiwan (models)	41R3278	1
Power cord - Italy (models)	41R3232	1
Power cord - Indonesia, Laos, Cambodia, Vietnam, Austria, Belgium, Croatia, Czechoslovakia, Finland, France, Germany, Hungary, Netherlands, Norway, Poland, Portugal, Romania, Spain, Sweden (models)	41R3208	1
Power cord - Denmark (models 91G 71G 72G)	41R3212	1
Power cord - Switzerland (models 91G 71G 72G)	41R3228	1
Power cord - Israel (models 91G 71G 72G)	41R3236	1
Power cord - South Africa (models 91G 71G 72G)	41R3220	1
Power cord - India (models)	41R3341	1
Power cord - Thailand (models)	43N9029	1

7523 Power Cords (Secondary)	FRU#	CRU
Power cord - US (models)	41R3185	1
Power cord - China (models)	41R3257	1
Power Cord - Japanese and Japanese English (models 91J)	41R3249	1
Power cord - Brazil (models)	41R3271	1
Power cord - LA High Volt (APU) (models)	41R3177	1
Power cord - Australia / New Zealand (models)	41R3197	1
Power cord - Korea (models)	41R3261	1
Power cord - UK, Ireland, Singapore, Malaysia, Brunei, Hong Kong (models)	41R3225	1
Power cord - Taiwan (models)	41R3279	1
Power cord - Italy (models)	41R3233	1

7523 Power Cords (Secondary)	FRU#	CRU
Power cord - Indonesia, Laos, Cambodia, Vietnam, Austria, Belgium, Croatia, Czechoslovakia, Finland, France, Germany, Hungary, Netherlands, Norway, Poland, Portugal, Romania, Spain, Sweden (models)	41R3209	1
Power cord - Denmark (models 91G 71G 72G)	41R3213	1
Power cord - Switzerland (models 91G 71G 72G)	41R3229	1
Power cord - Israel (models 91G 71G 72G)	41R3237	1
Power cord - South Africa (models 91G 71G 72G)	41R3221	1
Power cord - India (models)	41R3175	1
Power cord - Thailand (models)	43N9030	1
Power cord - Y cable for Brazil (models)	43N9044	1

7523 Windows XP Home Recovery CDs	FRU#	CRU
US English/UK/Asia Pacific (models)	TBD	1
French/French Canadian (models)	TBD	1
Greek (models)	TBD	1
Italy (models)	TBD	1
Brazilian (models)	TBD	1
Spanish/LA (models)	TBD	1
Danish (models)	TBD	1
Dutch (models)	TBD	1
Arabic (models)	TBD	1
Swedish (models)	TBD	1
Hebrew (models)	TBD	1
Finnish (models)	TBD	1
Norwegian (models)	TBD	1
Polish (models)	TBD	1
Portuguese (models)	TBD	1
Russian (models)	TBD	1
Russian English (models)	TBD	1
Hungarian (models)	TBD	1
Czech (models)	TBD	1
Turkish native (models)	TBD	1
Greek (models)	TBD	1
Japanese (models)	TBD	1
Simplified Chinese (models)	TBD	1
Taiwan-TC (models)	TBD	1
Hong Kong-TC (models)	TBD	1
Korean (models)	TBD	1

7523 Windows XP Pro Recovery CDs	FRU#	CRU
Hebrew (models)	71Y7506	1

7523 Windows XP Pro Recovery CDs	FRU#	CRU
Portuguese (models)	71Y7514	1
Russian English (models)	71Y7510	1
Hungarian (models)	71Y7512	1
Slovenian (models)	71Y7515	1
Korea (models)	71Y7519	1
US English (models)	71Y7493	1
French (models)	71Y7494	1
German (models)	71Y7495	1
Italian (models)	71Y7498	1
Brazilian Portuguese (models)	71Y7497	1
Spanish (models)	71Y7496	1
Danish (models)	71Y7502	1
Dutch (models)	71Y7503	1
Arabic (models)	71Y7508	1
Swedish (models)	71Y7501	1
Finnish (models)	71Y7505	1
Norwegian (models)	71Y7500	1
Polish (models)	71Y7507	1
Russian (models)	71Y7509	1
Czech (models)	71Y7504	1
Turkish (models)	71Y7511	1
Greek (models)	71Y7513	1
Japanese (models)	71Y7499	1
Simplified Chinese (models)	71Y7516	1
Traditional Chinese (models)	71Y7517	1
Hong Kong (models)	71Y7518	1
MUI Nordics (EN-DK-FI-NO-SV) (models)	71Y7520	1
MUI Switz (US EN-FR -GR-IT) (models)	71Y7521	1
MUI Bel-Lux (EN-FR-GR-NL) (models)	71Y7522	1

7523 Vista Home Basic 32 Recovery DVDs	FRU#	CRU
US English (models)	64Y8594	1
French (models)	64Y8596	1
German (models)	64Y8597	1
Spanish (models)	64Y8598	1
Brazilian (models)	64Y8599	1
Italian (models)	64Y8600	1
Dutch (models)	64Y8614	1
Czech (models)	64Y8601	1
Polish (models)	64Y8602	1
Russian (models)	64Y8603	1

7523 Vista Home Basic 32 Recovery DVDs	FRU#	CRU
Turkish (models)	64Y8604	1
Hungarian (models)	64Y8605	1
Greek (models)	64Y8606	1
Portuguese (models)	64Y8617	1
Simplified Chinese (models)	64Y8608	1
Hong Kong (models)	64Y8610	1
Traditional Chinese (models)	64Y8609	1
Korean (models)	64Y8611	1
Slovenian (models)	64Y8612	1
Russian English (models)	64Y8595	1
Hebrew (models)	64Y8615	1
Arabic Localized (models)	64Y8613	1
Slovakian (models)	64Y8619	1
Romanian (models)	64Y8616	1
Serbian-Latin (models)	64Y8618	1
C&L 1 Nordics (EN DK FI NO SV) (models)	64Y8620	1
C&L 2 Switzerland (EN FR GR IT) (models)	64Y8621	1
C&L 3 Bel Lux (EN FR GR NL) (models)	64Y8622	1
Japanese (models)	64Y8607	1

7523 Vista Business 32 Recovery DVDs	FRU#	CRU
US English (models)	64Y8565	1
French (models)	64Y8567	1
German (models)	64Y8568	1
Spanish (models)	64Y8569	1
Brazilian Portuguese (models)	64Y8570	1
Italian (models)	64Y8571	1
Japanese (models)	64Y8578	1
Dutch (models)	64Y8585	1
Czech (models)	64Y8572	1
Polish (models)	64Y8573	1
Russian (models)	64Y8574	1
Turkish (models)	64Y8575	1
Hungarian (models)	64Y8576	1
Greek (models)	64Y8577	1
Portuguese (models)	64Y8588	1
Simplified Chinese (models)	64Y8579	1
Traditional Chinese (models)	64Y8580	1
Hong Kong (models)	64Y8581	1
Korean (models)	64Y8582	1
Slovenian (models)	64Y8583	1

7523 Vista Business 32 Recovery DVDs	FRU#	CRU
Russian English (models)	64Y8566	1
Romanian (models)	64Y8587	1
Serbian-Latin (models)	64Y8589	1
Slovakian (models)	64Y8590	1
Arabic Localized (models)	64Y8584	1
Hebrew (models)	64Y8586	1
C&L 1 Nordics (EN DK FI NO SV) (models)	64Y8591	1
C&L 2 Switzerland (EN FR GR IT) (models)	64Y8592	1
C&L 3 Bel Lux (EN FR GR NL) (models)	64Y8593	1

7523 Vista Home Premium 32 Recovery DVDs	FRU#	CRU
US English (models)	64Y8623	1
French (models)	64Y8624	1
German (models)	64Y8625	1
Spanish (models)	64Y8626	1
Italian (models)	64Y8628	1
Japanese (models)	64Y8629	1
Hong Kong (models)	64Y8630	1
Korean (models)	64Y8627	1
C&L 1 Nordics (EN DK FI NO SV) (models)	64Y8631	1
C&L 2 Switzerland (EN FR GR IT) (models)	64Y8632	1
C&L 3 Bel Lux (EN FR GR NL) (models)	64Y8633	1

7523 Vista Business 64 Recovery DVDs	FRU#	CRU
US English (models)	64Y8643	1
French (models)	64Y8644	1
German (models)	64Y8645	1
Japanese (models)	64Y8646	1
Simplified Chinese (models)	64Y8647	1

7523 Vista Ultimate 32 Recovery DVDs	FRU#	CRU
US English (models)	64Y8634	1
Japanese (models)	64Y8635	1
French (models)	64Y8636	1
German (models)	64Y8637	1
Spanish (models)	64Y8638	1
Italian (models)	64Y8639	1
Hong Kong - Traditional Chinese (models)	64Y8640	1
Arabic localized (models)	64Y8641	1
C&L 1 Nordics (EN DK FI NO SV) (models)	64Y8642	1

7523 Vista Starter 32 Recovery DVDs	FRU#	CRU
English (models)	TBD	1

7523 Windows 7 Home Basic 32 Recovery DVDs	FRU#	CRU
Arabic (models)	71Y7549	1
India English (models)	71Y8655	1
Russian English (models)	71Y7550	1
Russian (models)	71Y7551	1
Spanish (models)	71Y7552	1
Serbian-Latin (models)	71Y7553	1
Turkish (models)	71Y7554	1
English (models)	71Y7555	1

7523 Windows 7 Home Premium 32 Recovery DVDs	FRU#	CRU
Traditional Chinese (models)	71Y7556	1
India English (models)	71Y8656	1
French (models)	71Y7557	1
Hong Kong (models)	71Y7558	1
Italian (models)	71Y7559	1
Japan (models)	71Y7560	1
Korean (models)	71Y7561	1
Spanish (models)	71Y7562	1
English (models)	71Y7563	1
C&L Bel Lux (EN FR GR NL) (models)	71Y7564	1
C&L Nordics (EN DK FI NO SV) (models)	71Y7565	1
C&L Switzerland (EN FR GR IT) (models)	71Y7566	1

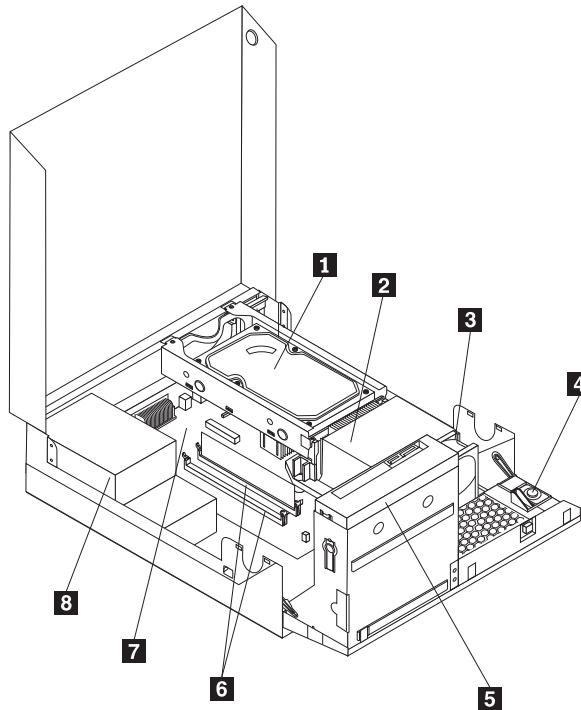
7523 Windows 7 Professional 32 Recovery DVDs	FRU#	CRU
Arabic (models)	71Y7523	1
Traditional Chinese (models)	71Y7524	1
Czech (models)	71Y7525	1
India English (models)	71Y8654	1
French (models)	71Y7526	1
Greek (models)	71Y7527	1
German (models)	71Y7528	1
Hebrew (models)	71Y7529	1
Hong Kong (models)	71Y7530	1
Hungarian (models)	71Y7531	1
Italian (models)	71Y7532	1
Japan (models)	71Y7533	1
Korean (models)	71Y7534	1
Polish (models)	71Y7535	1

7523 Windows 7 Professional 32 Recovery DVDs	FRU#	CRU
Portuguese (models)	71Y7536	1
Russian English (models)	71Y7537	1
Romanian (models)	71Y7538	1
Russian (models)	71Y7539	1
Slovakia (models)	71Y7540	1
Slovenian (models)	71Y7541	1
Spanish (models)	71Y7542	1
Serbian-Latin (models)	71Y7543	1
Turkish (models)	71Y7544	1
English (models)	71Y7545	1
C&L Bel Lux (EN FR GR NL) (models)	71Y7546	1
C&L Nordics (EN DK FI NO SV) (models)	71Y7547	1
C&L Switzerland (EN FR GR IT) (models)	71Y7548	1

7523 Windows 7 Professional 64 Recovery DVDs	FRU#	CRU
Traditional Chinese (models)	71Y7574	1
India English (models)	71Y8658	1
French (models)	71Y7575	1
German (models)	71Y7576	1
Hong Kong (models)	71Y7577	1
Italian (models)	71Y7578	1
Japan (models)	71Y7579	1
Spanish (models)	71Y7580	1
English (models)	71Y7581	1
C&L Bel Lux (EN FR GR NL) (models)	71Y7582	1
C&L Nordics (EN DK FI NO SV) (models)	71Y7583	1
C&L Switzerland (EN FR GR IT) (models)	71Y7584	1

7523 Windows 7 Starter Recovery DVDs	FRU#	CRU
Arabic (models)	71Y7567	1
India English (models)	71Y8657	1
Russian English (models)	71Y7568	1
Russian (models)	71Y7569	1
Spanish (models)	71Y7570	1
Serbian-Latin (models)	71Y7571	1
Turkish (models)	71Y7572	1
English (models)	71Y7573	1

Machine type 7560



Item#	7560 FRUs	FRU#	CRU
1	Hard disk drive, SATA 160GB 7200RPM/3Gb/8MB (models)	40Y9035	1
1	Hard disk drive, SATA 250GB 7200RPM/3Gb/8MB (models)	40Y9036	1
1	Hard disk drive, SATA 320GB 7200rpm SATA/8MB (models)	87H4891	1
1	Hard disk drive, SATA 500GB 7200RPM/3Gb/s/8MB (models)	41X5582	1
1	Hard disk drive, 1TB 7200rpm SATA (models)	45C5973	1
1	Hard disk drive, SATA 160 GB 7200RPM/3GB/8MB - optional (models)	53Y6837	1
1	Hard disk drive, SATA 250 GB 7200RPM/3GB/8MB - optional (models)	45K0408	1
1	Hard disk drive, SATA 320 GB 7200RPM SATA/8MB - optional (models)	45K0409	1
1	Hard disk drive, SATA 500 GB 7200RPM/3GB/s/8MB - optional (models)	45K0410	1
1	Hard disk drive, 1 TB 7200RPM SATA - optional (models)	45K0412	1
1	Hard disk drive, 150 GB 10K RPM, SATA (models)	46R6400	1
2	Microprocessor, E7400 2.8GHZ 1066M 3M R0 (ViiV, EIST, EM64T, EDB) 65W (models)	53Y6653	N
2	Microprocessor, E7500 2.93GHZ 1066M 3M R0 (ViiV, EIST, EM64T, EDB) 65W (models)	53Y6654	N
2	Microprocessor, E5300 2.6GHz 800MHz 2MB R0 (EIST, EM64T, EDB) 65W (models)	53Y9049	N
2	Microprocessor, E1500 2.2GHz 800MHz 512KB (EIST, EM64T, EDB) M0 65W (models)	53Y9051	N
2	Microprocessor, Q8300 Yorkfield 2.5GHZ, 1333MHz, 4M R-0 (ViiV, EIST, EM64T, EDB) 95W (models)	53Y6656	N
2	Microprocessor, E8600 3.33GHZ/1333MHZ/6M E0 65W (models)	46R8640	N
2	Microprocessor, E8500 3.16GHz 1333MHz FSB 6M C-0 65W (models)	45C7735	N

Item#	7560 FRUs	FRU#	CRU
2	Microprocessor, E8400 3.0GHz 1333MHz FSB 6M C-0 65W (models)	45C7736	N
2	Microprocessor, E8300 2.83GHz 1333MHz FSB 6M C-0 65W (models)	45C7737	N
2	Microprocessor, E7200 2.53GHz 1066MHz FSB 3M M-0 65W (models)	45R8337	N
2	Microprocessor, E7300 2.66GHz 1066MHz FSB 3M M-0 65W (models)	46R1622	N
2	Microprocessor, E2200 Conroe-L 2.2GHz 800MHz FSB 1M (models)	45C5349	N
2	Microprocessor, E2220 Conroe-L 2.4GHz 800MHz FSB 1M (models)	45C1774	N
2	Microprocessor, E5200 2.5G 800MHz 2M M-0 65W, 45nm (models)	46R9512	N
2	Microprocessor, E1600 2.4GHZ/800MHZ/512K - NPI M-0 65W (models)	46R1655	N
2	Microprocessor, E1400 2.0GHz 800MHz FSB 512K - NPI M-0 65W (models)	45R8339	N
2	Microprocessor, Cel-440 Conroe-L 2.0GHz 800MHz FSB 512K (models)	43C1965	N
2	Microprocessor, Cel-450 2.2GHz 800MHz FSB 512K 35W (models)	46R9514	N
2	Microprocessor, Q9650 3.0GHZ 1333FSB 12MB VT, TXT E-0 95W (models)	46R8642	N
2	Microprocessor, Q9400 2.66GHZ 1333FSB 6MB VT, TXT R-0 95W (models)	46R8644	N
2	Microprocessor, Q8200 2.33GHz 1333FSB 4M M-1 95W (models)	46R9516	N
2	Microprocessor, Q9550 2.83GHZ 1333FSB 12M C-1 95W (models)	45C7739	N
2	Microprocessor, Q9450 Yorkfield 2.66GHZ 1333FSB 12M C-1 95W (models)	45C7740	N
2	Microprocessor, Q9300 Yorkfield 2.50GHZ 1333FSB 6M M-1 95W (models)	45C7741	N
2	Microprocessor, E5400 2.7G 800MHz-2MB 65W Non-vPro SKU (models)	64Y1075	N
2	Microprocessor, E7600 3.06GHZ 1066M 3M 65W (models)	71Y3486	N
2	Microprocessor, Q8400 2.66GHZ,1333MHZ,4M 95W (models)	71Y3488	N
2	Microprocessor, E6300 2.8G 1066MHz-2MB 65W (models)	71Y3484	N
2	Microprocessor, E6500 2.93GHZ 1066 MHz-2MB 65W R0 (models)	71Y6250	N
2	Microprocessor, E3300 2.5GHZ 800 MHz-1MB 65W R0 (models)	71Y6252	N
2	Microprocessor, E3200 2.4GHZ 800 MHz-1MB 65W R0 (models)	71Y6251	N
3	95W heat sink kit with RM (all models)	41R6454	2
3	65W heat sink kit with RM (all models)	43N9349	2
3	95W heat sink kit with RM (all models)	43N9874	2
3	65W heat sink kit with RM (all models)	43N9877	2
4	Internal speaker 254 mm - optional (all models)	39K5012	2
5	Optical drive, DVD-ROM Drive - 16x/48x - SATA - for Windows 7 (models)	71Y5543	1
5	Optical drive, DVD Recordable Rambo 8 - SATA 12XRAM Write - for Windows 7 (models)	71Y5545	1
6	Memory module, 512MB PC2-5300 (667MHz) DDR2 SDRAM (models)	41X4255	1
6	Memory module, 1GB PC2-5300 (667MHz) DDR2 SDRAM (models)	41X4256	1
6	Memory module, 2GB PC2-5300 (667MHz) DDR2 SDRAM (models)	41X4257	1
6	Memory module, 512MB PC2-6400 (800MHz) DDR2 SDRAM (models)	41X1079	1
6	Memory module, 1GB PC2-6400 (667MHz) DDR2 SDRAM (models)	41X1080	1
6	Memory module, 2GB PC2-6400 (667MHz) DDR2 SDRAM (models)	41X1081	1
7	System board, Intel G41 BTX(GA) non-AMT (models)	46R8892	N
7	System board, Intel G41 BTX (GA) - NB upgrade (models)	64Y9198	N
7	System board, Intel G41 BTX - EuP and TCM header (models)	71Y6839	N

Item#	7560 FRUs	FRU#	CRU
8	Power supply, 280W Active PFC power supply (Auto sensing) for 10L---Robust, ww, JP (models)	41A9701	N
8	Power supply, 280W 85+ power supply for 10L---Robust, ww, JP (models)	41A9742	N
8	Power supply, 280W Active PFC power supply (auto-sensing) - all countries (models)	45J9418	N
8	Power supply, 280W 85+ power supply - all countries (models)	45J9423	N
8	Power supply, 280 watt, Active PFC power supply, auto-sensing for 10L - Robust, WW, JP, for Eup (models)	54Y8804	N

The FRUs listed in the following tables are not illustrated.

7560 FRUs	FRU#	CRU
Battery 3V - Lithium (models)	45C1566	1
Cable - SATA 250 mm (RoHS) for 1st hard disk drive (all models)	43N9012	2
Cable - SATA 600 mm (RoHS) (all models)	45J9579	2
Cable - SATA 700 mm (RoHS) for optical drive / Second hard disk drive (all models)	43N9011	2
C2 intrusion switch 260 mm (all models)	43N9080	2
Rear I/O shield BTX (all models)	41R6381	N
Temp sense cable (165 mm) (all models)	43N9079	2
Air deflector, recycle resin (all models)	43N9610	2
Hard disk drive tray assembly (all models)	43N9595	1
Front cage assembly (all models)	43N9596	N
Front cage assembly (all models)	43N9647	N
Cable, Front I/O cable_R (10L_U380_A550)_ESD (all models)	45J9509	2
Models with 3.5" convert 2.5" for 150 GB 10 K rpm hard disk drive (first HDD bay) (all models)	43N9645	2
3.5" convert 2.5" for 150 GB 10 K rpm hard disk drive (first HDD bay) (all models)	43N9593	2
Universal Adapter Bracket 5.25 to 3.5 (all models)	43N9676	2
Top cover assembly (all models)	43N9594	1
Cable, LED/Switch cable_R (10L_220 mm_PCBA) (all models)	45J9515	2
NO ODD, EMI shielding (all models)	43N9641	1
Card reader bezel (all models)	43N9642	1
Non-card reader bezel (all models)	43N9643	1
Card reader (all models)	45K6081	1
Vertical stand (all models)	43N9644	1
Front bezel assembly (all models)	43N9677	1
Chassis (all models)	43N9649	N
Rubber foot for vertical (all models)	43N9727	1
Rubber foot for horizontal (all models)	43N9728	1
Thermal grease (all models)	91P8835	N
Optical retainer (all models)	45K6364	1

7560 Keyboards (Lenovo Preferred Pro USB -- without hub)	FRU#	CRU
USB FULL--US English (models)	41A5289	1
USB FULL--Arabic (models)	41A5290	1
USB FULL--Arabic/French (models)	41A5291	1
USB FULL--Belgium French (models)	41A5292	1
USB FULL--Belgium English (models)	41A5293	1
USB FULL--Brazilian Portuguese (models)	41A5294	1
USB FULL--Bulgarian (models)	41A5295	1
USB FULL--Chinese/US (models)	41A5296	1
USB FULL--Czech (ABB) (models)	41A5297	1
USB FULL--Danish (models)	41A5298	1
USB FULL--Dutch (models)	41A5299	1
USB FULL--French (models)	41A5300	1
USB FULL--French Canadian (models)	41A5301	1
USB FULL--French Canadian (models)	41A5302	1
USB FULL--German (models)	41A5303	1
USB FULL--Greek (models)	41A5304	1
USB FULL--Greek/US (models)	41A5305	1
USB FULL--Hebrew (models)	41A5306	1
USB FULL--Hungarian (models)	41A5307	1
USB FULL--Iceland (models)	41A5308	1
USB FULL--Italy (models)	41A5309	1
USB FULL--Japanese (models)	41A5310	1
USB FULL--Korean (models)	41A5311	1
USB FULL--LA Spanish (models)	41A5312	1
USB FULL--Norwegian (models)	41A5313	1
USB FULL--Polish (models)	41A5314	1
USB FULL--Portuguese (models)	41A5315	1
USB FULL--Romanian (models)	41A5317	1
USB FULL--Romanian (models)	41A5316	1
USB FULL--Russian/Cyrillic (models)	41A5318	1
USB FULL--Serbian/Cyrillic (models)	41A5319	1
USB FULL--Slovak (models)	41A5320	1
USB FULL--Spanish (models)	41A5321	1
USB FULL--Swedish/Finnish (models)	41A5322	1
USB FULL--Swiss French/German (models)	41A5323	1
USB FULL--Thailand (models)	41A5324	1
USB FULL--Turkish (models)	41A5325	1
USB FULL--Turkish (models)	41A5326	1
USB FULL --UK English (models)	41A5327	1
USB FULL--US Euro (models)	41A5328	1
USB FULL--Slovenian (models)	41A5329	1

7560 Keyboards (Lenovo Preferred Pro USB -- without hub)	FRU#	CRU
USB FULL--Arabic (New) (models)	45J4880	1
USB FULL--Lithuanian (models)	45J4896	1
USB FULL--Estonia (models)	51J0059	1

7560 Keyboards (Lenovo Fingerprint Reader USB)	FRU#	CRU
US English (models)	41R0038	1
Arabic (models)	41R0039	1
Arabic/French (models)	41R0040	1
Belgium French (models)	41R0041	1
Belgium English (models)	41R0042	1
Brazilian Portuguese (models)	41R0043	1
Bulgarian (models)	41R0044	1
Chinese/US (models)	41R0045	1
Czech (ABB) (models)	41R0046	1
Danish (models)	41R0047	1
Dutch (models)	41R0048	1
French (models)	41R0049	1
French Canadian (models)	41R0050	1
French Canadian (models)	41R0051	1
German (models)	41R0052	1
Greek (models)	41R0053	1
Greek/US (models)	41R0054	1
Hebrew (models)	41R0055	1
Hungarian (models)	41R0056	1
Iceland (models)	41R0057	1
Italian (models)	41R0058	1
Japanese (models)	41R0059	1
Korean (models)	41R0060	1
LA Spanish (models)	41R0061	1
Norwegian (models)	41R0062	1
Polish (models)	41R0063	1
Portuguese (models)	41R0064	1
Romanian (models)	41R0065	1
Romanian (models)	41R0066	1
Russian/Cyrillic (models)	41R0067	1
Serbian/Cyrillic (models)	41R0068	1
Slovak (models)	41R0069	1
Spanish (models)	41R0070	1
Swedish/Finnish (models)	41R0071	1
Swiss French/German (models)	41R0072	1
Thailand (models)	41R0073	1

7560 Keyboards (Lenovo Fingerprint Reader USB)	FRU#	CRU
Turkish (models)	41R0074	1
Turkish (models)	41R0075	1
UK English (models)	41R0076	1
US Euro (models)	41R0077	1
Slovenian (models)	41R0078	1

7560 Keyboards (Lenovo preferred Pro PS/2 Full Size)	FRU#	CRU
US English (models)	41A5039	1
Arabic (models)	41A5040	1
Arabic (New) (models)	45J4880	1
Arabic French (models)	41A5041	1
Belgium French (models)	41A5042	1
Belgium English (models)	41A5043	1
Brazilian Portuguese (models)	41A5044	1
Bulgarian (models)	41A5045	1
Chinese/US (models)	41A5046	1
Czech (ABB) (models)	41A5047	1
Danish (models)	41A5048	1
Dutch (models)	41A5049	1
French (models)	41A5050	1
French Canadian (models)	41A5051	1
French Canadian (models)	41A5052	1
German (models)	41A5053	1
Greek (models)	41A5054	1
Greek/US (models)	41A5080	1
Hebrew (models)	41A5055	1
Hungarian (models)	41A5056	1
Iceland (models)	41A5057	1
Italian (models)	41A5058	1
Japanese (models)	41A5059	1
Korean (models)	41A5060	1
LA Spanish (models)	41A5061	1
Norwegian (models)	41A5062	1
Polish (models)	41A5063	1
Portuguese (models)	41A5064	1
Romanian (models)	41A5065	1
Russian/Cyrillic (models)	41A5066	1
Serbian/Cyrillic (models)	41A5067	1
Slovak (models)	41A5068	1
Spanish (models)	41A5069	1
Swedish/Finnish (models)	41A5070	1

7560 Keyboards (Lenovo preferred Pro PS/2 Full Size)	FRU#	CRU
Swiss French/German (models)	41A5071	1
Thailand (models)	41A5072	1
Turkish (models)	41A5073	1
Turkish (models)	41A5074	1
UK English (models)	41A5075	1
US Euro (models)	41A5076	1
Slovenian (models)	41A5077	1

7560 mice	FRU#	CRU
Optical Wheel Mouse OPT (400DPI, USB) (models)	41U3013	1
Optical Wheel Mouse OPT (400DPI, USB) (models)	41U3030	1

7560 adapters and miscellaneous FRUs	FRU#	CRU
Internal 25 in 1 USB Memory Card Reader Slim (models)	46R1529	1
IEEE 1394 Firewire Adapter (models)	41D2781	1
Soft Modem V.90/V.44 (models)	46R4220	1
Speaker power brick - US, Canada, LA low voltage, ASEAN (models)	89P8571	1
Speaker power brick - LA high voltage (non-APU) (models)	89P8575	1
Speaker power brick - Simplified Chinese, Thailand EMEA (models)	89P8581	1
Speaker power brick - Japanese (models)	89P8577	1
Speaker power brick - Brazil (models)	89P8583	1
Speaker power brick - Argentina (models)	41A4901	1
Speaker power brick - ANZ (models)	89P8579	1
Speaker power brick - Korea (models)	41A4903	1
Speaker power brick - Hong Kong, EMEA, Ireland (models)	89P8573	1
Speaker power brick -Taiwan-Traditional Chinese (models)	41A4905	1
Speaker power brick - India, South Africa (models)	89P8585	1
2-pc external speaker--primary (models)	41A5331	1
2-pc external speaker-secondary (models)	41A5334	1
DVI-I(M)-VGA(F) cord (models)	41R3342	1
ATI HD3470 GDDR3 256MB - VGA+DP (models)	46R1521	1
ADD2 DVI-D Adapter, (HDCP) DVD-D connection Adapter Low Profile (Silicon Image) (models)	43C0258	1
DisplayPort to DVI-D Dongle (models)	43N9160	1
DisplayPort to VGA Dongle (models)	45J9524	1
Modem phone cable (models)	39K5120	1
LI140mm Rear Com2 cable II mini® (models)	43N9062	2
Rear USB 2 Ports II LP® 350 mm (models)	43N9124	2
NVIDIA G100 DDR2 256MB LP - DVI-I (With DVI-I to VGA Dongle) (models)	53Y9341	1

7560 Power Cords (Primary)	FRU#	CRU
Power cord - US (models)	41R3184	1
Power cord - China (models)	41R3256	1
Power cord - Japanese and Japanese English (models)	41R3248	1
Power cord - Brazil (models)	41R3270	1
Power cord - Brazil - optional (models)	45J9595	1
Power cord - LA High Volt (APU) (models)	41R3176	1
Power cord - Australia / New Zealand (models)	41R3196	1
Power cord - Korea (models)	41R3260	1
Power cord - UK, Ireland, Singapore, Malaysia, Brunei, Hong Kong (models)	41R3224	1
Power cord - Taiwan (models)	41R3278	1
Power cord - Italy (models)	41R3232	1
Power cord - Indonesia, Laos, Cambodia, Vietnam, Austria, Belgium, Croatia, Czechoslovakia, Finland, France, Germany, Hungary, Netherlands, Norway, Poland, Portugal, Romania, Spain, Sweden (models)	41R3208	1
Power cord - Denmark (models)	41R3212	1
Power cord - Switzerland (models)	41R3228	1
Power cord - Israel (models)	41R3236	1
Power cord - South Africa (models)	41R3220	1
Power cord - India (models)	41R3341	1
Power cord - Thailand (models)	43N9029	1

7560 Power Cords (Secondary)	FRU#	CRU
Power cord - US (models)	41R3185	1
Power cord - China (models)	41R3257	1
Power Cord - Japanese and Japanese English (models)	41R3249	1
Power cord - Brazil (models)	41R3271	1
Power cord - LA High Volt (APU) (models)	41R3177	1
Power cord - Australia / New Zealand (models)	41R3197	1
Power cord - Korea (models)	41R3261	1
Power cord - UK, Ireland, Singapore, Malaysia, Brunei, Hong Kong (models)	41R3225	1
Power cord - Taiwan (models)	41R3279	1
Power cord - Italy (models)	41R3233	1
Power cord - Indonesia, Laos, Cambodia, Vietnam, Austria, Belgium, Croatia, Czechoslovakia, Finland, France, Germany, Hungary, Netherlands, Norway, Poland, Portugal, Romania, Spain, Sweden (models)	41R3209	1
Power cord - Denmark (models)	41R3213	1
Power cord - Switzerland (models)	41R3229	1
Power cord - Israel (models)	41R3237	1
Power cord - South Africa (models)	41R3221	1
Power cord - India (models)	41R3175	1
Power cord - Thailand (models)	43N9030	1
Power cord - Y cable for Brazil (models)	43N9044	1

7560 Windows XP Home Recovery CDs	FRU#	CRU
US English/UK/Asia Pacific (models)	TBD	1
French/French Canadian (models)	TBD	1
Greek (models)	TBD	1
Italy (models)	TBD	1
Brazilian (models)	TBD	1
Spanish/LA (models)	TBD	1
Danish (models)	TBD	1
Dutch (models)	TBD	1
Arabic (models)	TBD	1
Swedish (models)	TBD	1
Hebrew (models)	TBD	1
Finnish (models)	TBD	1
Norwegian (models)	TBD	1
Polish (models)	TBD	1
Portuguese (models)	TBD	1
Russian (models)	TBD	1
Russian English (models)	TBD	1
Hungarian (models)	TBD	1
Czech (models)	TBD	1
Turkish native (models)	TBD	1
Greek (models)	TBD	1
Japanese (models)	TBD	1
Simplified Chinese (models)	TBD	1
Taiwan-TC (models)	TBD	1
Hong Kong-TC (models)	TBD	1
Korean (models)	TBD	1

7560 Windows XP Pro Recovery CDs	FRU#	CRU
Hebrew (models)	71Y7506	1
Portuguese (models)	71Y7514	1
Russian English (models)	71Y7510	1
Hungarian (models)	71Y7512	1
Slovenian (models)	71Y7515	1
Korea (models)	71Y7519	1
US English (models)	71Y7493	1
French (models)	71Y7494	1
German (models)	71Y7495	1
Italian (models)	71Y7498	1
Brazilian Portuguese (models)	71Y7497	1
Spanish (models)	71Y7496	1

7560 Windows XP Pro Recovery CDs	FRU#	CRU
Danish (models)	71Y7502	1
Dutch (models)	71Y7503	1
Arabic (models)	71Y7508	1
Swedish (models)	71Y7501	1
Finnish (models)	71Y7505	1
Norwegian (models)	71Y7500	1
Polish (models)	71Y7507	1
Russian (models)	71Y7509	1
Czech (models)	71Y7504	1
Turkish (models)	71Y7511	1
Greek (models)	71Y7513	1
Japanese (models)	71Y7499	1
Simplified Chinese (models)	71Y7516	1
Traditional Chinese (models)	71Y7517	1
Hong Kong (models)	71Y7518	1
MUI Nordics (EN-DK-FI-NO-SV) (models)	71Y7520	1
MUI Switz (US EN-FR -GR-IT) (models)	71Y7521	1
MUI Bel-Lux (EN-FR-GR-NL) (models)	71Y7522	1

7560 Vista Home Basic 32 Recovery DVDs	FRU#	CRU
US English (models)	64Y8594	1
French (models)	64Y8596	1
German (models)	64Y8597	1
Spanish (models)	64Y8598	1
Brazilian (models)	64Y8599	1
Italian (models)	64Y8600	1
Dutch (models)	64Y8614	1
Czech (models)	64Y8601	1
Polish (models)	64Y8602	1
Russian (models)	64Y8603	1
Turkish (models)	64Y8604	1
Hungarian (models)	64Y8605	1
Greek (models)	64Y8606	1
Portuguese (models)	64Y8617	1
Simplified Chinese (models)	64Y8608	1
Hong Kong (models)	64Y8610	1
Traditional Chinese (models)	64Y8609	1
Korean (models)	64Y8611	1
Slovenian (models)	64Y8612	1
Russian English (models)	64Y8595	1
Hebrew (models)	64Y8615	1

7560 Vista Home Basic 32 Recovery DVDs	FRU#	CRU
Arabic Localized (models)	64Y8613	1
Slovakian (models)	64Y8619	1
Romanian (models)	64Y8616	1
Serbian-Latin (models)	64Y8618	1
C&L 1 Nordics (EN DK FI NO SV) (models)	64Y8620	1
C&L 2 Switzerland (EN FR GR IT) (models)	64Y8621	1
C&L 3 Bel Lux (EN FR GR NL) (models)	64Y8622	1
Japanese (models)	64Y8607	1

7560 Vista Business 32 Recovery DVDs	FRU#	CRU
US English (models)	64Y8565	1
French (models)	64Y8567	1
German (models)	64Y8568	1
Spanish (models)	64Y8569	1
Brazilian Portuguese (models)	64Y8570	1
Italian (models)	64Y8571	1
Japanese (models)	64Y8578	1
Dutch (models)	64Y8585	1
Czech (models)	64Y8572	1
Polish (models)	64Y8573	1
Russian (models)	64Y8574	1
Turkish (models)	64Y8575	1
Hungarian (models)	64Y8576	1
Greek (models)	64Y8577	1
Portuguese (models)	64Y8588	1
Simplified Chinese (models)	64Y8579	1
Traditional Chinese (models)	64Y8580	1
Hong Kong (models)	64Y8581	1
Korean (models)	64Y8582	1
Slovenian (models)	64Y8583	1
Russian English (models)	64Y8566	1
Romanian (models)	64Y8587	1
Serbian-Latin (models)	64Y8589	1
Slovakian (models)	64Y8590	1
Arabic Localized (models)	64Y8584	1
Hebrew (models)	64Y8586	1
C&L 1 Nordics (EN DK FI NO SV) (models)	64Y8591	1
C&L 2 Switzerland (EN FR GR IT) (models)	64Y8592	1
C&L 3 Bel Lux (EN FR GR NL) (models)	64Y8593	1

7560 Vista Home Premium 32 Recovery DVDs	FRU#	CRU
US English (models)	64Y8623	1
French (models)	64Y8624	1
German (models)	64Y8625	1
Spanish (models)	64Y8626	1
Italian (models)	64Y8628	1
Japanese (models)	64Y8629	1
Hong Kong (models)	64Y8630	1
Korean (models)	64Y8627	1
C&L 1 Nordics (EN DK FI NO SV) (models)	64Y8631	1
C&L 2 Switzerland (EN FR GR IT) (models)	64Y8632	1
C&L 3 Bel Lux (EN FR GR NL) (models)	64Y8633	1

7560 Vista Business 64 Recovery DVDs	FRU#	CRU
US English (models)	64Y8643	1
French (models)	64Y8644	1
German (models)	64Y8645	1
Japanese (models)	64Y8646	1
Simplified Chinese (models)	64Y8647	1

7560 Vista Ultimate 32 Recovery DVDs	FRU#	CRU
US English (models)	64Y8634	1
Japanese (models)	64Y8635	1
French (models)	64Y8636	1
German (models)	64Y8637	1
Spanish (models)	64Y8638	1
Italian (models)	64Y8639	1
Hong Kong - Traditional Chinese (models)	64Y8640	1
Arabic localized (models)	64Y8641	1
C&L 1 Nordics (EN DK FI NO SV) (models)	64Y8642	1

7560 Vista Starter 32 Recovery DVDs	FRU#	CRU
English (models)	TBD	1

7560 Windows 7 Home Basic 32 Recovery DVDs	FRU#	CRU
Arabic (models)	71Y7549	1
India English (models)	71Y8655	1
Russian English (models)	71Y7550	1
Russian (models)	71Y7551	1
Spanish (models)	71Y7552	1
Serbian-Latin (models)	71Y7553	1
Turkish (models)	71Y7554	1

7560 Windows 7 Home Basic 32 Recovery DVDs	FRU#	CRU
English (models)	71Y7555	1

7560 Windows 7 Home Premium 32 Recovery DVDs	FRU#	CRU
Traditional Chinese (models)	71Y7556	1
India English (models)	71Y8656	1
French (models)	71Y7557	1
Hong Kong (models)	71Y7558	1
Italian (models)	71Y7559	1
Japan (models)	71Y7560	1
Korean (models)	71Y7561	1
Spanish (models)	71Y7562	1
English (models)	71Y7563	1
C&L Bel Lux (EN FR GR NL) (models)	71Y7564	1
C&L Nordics (EN DK FI NO SV) (models)	71Y7565	1
C&L Switzerland (EN FR GR IT) (models)	71Y7566	1

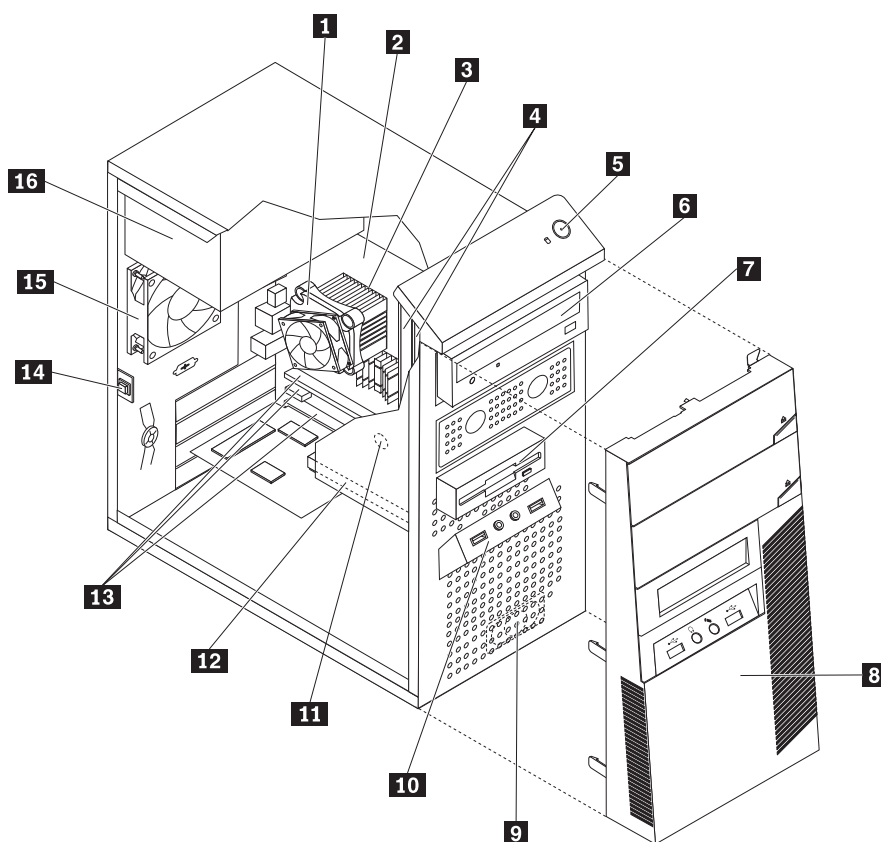
7560 Windows 7 Professional 32 Recovery DVDs	FRU#	CRU
Arabic (models)	71Y7523	1
Traditional Chinese (models)	71Y7524	1
Czech (models)	71Y7525	1
India English (models)	71Y8654	1
French (models)	71Y7526	1
Greek (models)	71Y7527	1
German (models)	71Y7528	1
Hebrew (models)	71Y7529	1
Hong Kong (models)	71Y7530	1
Hungarian (models)	71Y7531	1
Italian (models)	71Y7532	1
Japan (models)	71Y7533	1
Korean (models)	71Y7534	1
Polish (models)	71Y7535	1
Portuguese (models)	71Y7536	1
Russian English (models)	71Y7537	1
Romanian (models)	71Y7538	1
Russian (models)	71Y7539	1
Slovakia (models)	71Y7540	1
Slovenian (models)	71Y7541	1
Spanish (models)	71Y7542	1
Serbian-Latin (models)	71Y7543	1
Turkish (models)	71Y7544	1
English (models)	71Y7545	1

7560 Windows 7 Professional 32 Recovery DVDs	FRU#	CRU
C&L Bel Lux (EN FR GR NL) (models)	71Y7546	1
C&L Nordics (EN DK FI NO SV) (models)	71Y7547	1
C&L Switzerland (EN FR GR IT) (models)	71Y7548	1

7560 Windows 7 Professional 64 Recovery DVDs	FRU#	CRU
Traditional Chinese (models)	71Y7574	1
India English (models)	71Y8658	1
French (models)	71Y7575	1
German (models)	71Y7576	1
Hong Kong (models)	71Y7577	1
Italian (models)	71Y7578	1
Japan (models)	71Y7579	1
Spanish (models)	71Y7580	1
English (models)	71Y7581	1
C&L Bel Lux (EN FR GR NL) (models)	71Y7582	1
C&L Nordics (EN DK FI NO SV) (models)	71Y7583	1
C&L Switzerland (EN FR GR IT) (models)	71Y7584	1

7560 Windows 7 Starter Recovery DVDs	FRU#	CRU
Arabic (models)	71Y7567	1
India English (models)	71Y8657	1
Russian English (models)	71Y7568	1
Russian (models)	71Y7569	1
Spanish (models)	71Y7570	1
Serbian-Latin (models)	71Y7571	1
Turkish (models)	71Y7572	1
English (models)	71Y7573	1

Machine type 7569



Item#	7569 FRUs	FRU#	CRU
1	Intel 95W / 65W Heatsink (all models)	43N9409	2
1	Intel 65W heat sink (all models)	43N9708	2
1	Intel 65W heat sink (all models)	45K6227	2
1	Intel 95W / 65W heat sink (all models)	43N9897	2
2	System board, Intel G41 MATX(GA) non-AMT (models)	46R8891	N
2	System board, Intel G41 MATX(GA) -NB upgrade (models)	64Y9197	N
2	System board, Intel G41 MATX -- EuP and No TCM header (models)	71Y6838	N
3	Microprocessor, E7400 2.8GHZ 1066M 3M R0 (ViiV, EIST, EM64T, EDB) 65W (models)	53Y6653	N
3	Microprocessor, E7500 2.93GHZ 1066M 3M R0 (ViiV, EIST, EM64T, EDB) 65W (models)	53Y6654	N
3	Microprocessor, E5300 2.6GHz 800MHz 2MB R0 (EIST, EM64T, EDB) 65W (models)	53Y9049	N
3	Microprocessor, E1500 2.2GHz 800MHz 512KB (EIST, EM64T, EDB) M0 65W (models)	53Y9051	N
3	Microprocessor, Q8300 Yorkfield 2.5GHZ, 1333MHz, 4M R-0 (ViiV, EIST, EM64T, EDB) 95W (models)	53Y6656	N
3	Microprocessor, E8600 3.33GHZ/1333MHZ/6M E0 65W (models)	46R8640	N
3	Microprocessor, E8500 3.16GHz 1333MHz FSB 6M C-0 65W (models)	45C7735	N
3	Microprocessor, E8400 3.0GHz 1333MHz FSB 6M C-0 65W (models)	45C7736	N

Item#	7569 FRUs	FRU#	CRU
3	Microprocessor, E8300 2.83GHz 1333MHz FSB 6M C-0 65W (models)	45C7737	N
3	Microprocessor, E7200 2.53GHz 1066MHz FSB 3M M-0 65W (models)	45R8337	N
3	Microprocessor, E7300 2.66GHz 1066MHz FSB 3M M-0 65W (models)	46R1622	N
3	Microprocessor, E2200 Conroe-L 2.2GHz 800MHz FSB 1M (models)	45C5349	N
3	Microprocessor, E2220 Conroe-L 2.4GHz 800MHz FSB 1M (models)	45C1774	N
3	Microprocessor, E5200 2.5G 800MHz 2M M-0 65W, 45nm (models)	46R9512	N
3	Microprocessor, E1600 2.4GHZ/800MHZ/512K - NPI M-0 65W (models)	46R1655	N
3	Microprocessor, E1400 2.0GHz 800MHz FSB 512K - NPI M-0 65W (models)	45R8339	N
3	Microprocessor, Cel-440 Conroe-L 2.0GHz 800MHz FSB 512K (models)	43C1965	N
3	Microprocessor, Cel-450 2.2GHz 800MHz FSB 512K 35W (models)	46R9514	N
3	Microprocessor, Q9650 3.0GHZ 1333FSB 12MB VT, TXT E-0 95W (models)	46R8642	N
3	Microprocessor, Q9400 2.66GHZ 1333FSB 6MB VT, TXT R-0 95W (models)	46R8644	N
3	Microprocessor, Q8200 2.33GHZ 1333FSB 4M M-1 95W (models)	46R9516	N
3	Microprocessor, Q9550 2.83GHZ 1333FSB 12M C-1 95W (models)	45C7739	N
3	Microprocessor, Q9450 Yorkfield 2.66GHZ 1333FSB 12M C-1 95W (models)	45C7740	N
3	Microprocessor, Q9300 Yorkfield 2.50GHZ 1333FSB 6M M-1 95W (models)	45C7741	N
3	Microprocessor, E5400 2.7G 800MHz 2MB 65W Non-vPro SKU (models)	64Y1075	N
3	Microprocessor, E7600 3.06GHZ 1066M 3M 65W (models)	71Y3486	N
3	Microprocessor, Q8400 2.66GHZ,1333MHZ,4M 95W (models)	71Y3488	N
3	Microprocessor, E6300 2.8G 1066MHz-2MB 65W (models)	71Y3484	N
3	Microprocessor, E6500 2.93GHZ 1066 MHz-2MB 65W R0 (models)	71Y6250	N
3	Microprocessor, E3300 2.5GHZ 800 MHz-1MB 65W R0 (models)	71Y6252	N
3	Microprocessor, E3200 2.4GHZ 800 MHz-1MB 65W R0 (models)	71Y6251	N
4	Memory module, 512MB PC2-5300 (667MHz) DDR2 SDRAM (models)	41X4255	1
4	Memory module, 1GB PC2-5300 (667MHz) DDR2 SDRAM (models)	41X4256	1
4	Memory module, 2GB PC2-5300 (667MHz) DDR2 SDRAM (models)	41X4257	1
4	Memory module, 512MB PC2-6400 (800MHz) DDR2 SDRAM (models)	41X1079	1
4	Memory module, 1GB PC2-6400 (667MHz) DDR2 SDRAM (models)	41X1080	1
4	Memory module, 2GB PC2-6400 (667MHz) DDR2 SDRAM (models)	41X1081	1
6	Optical drive, DVD-ROM Drive - 16x/48x - SATA - for Windows 7 (models)	71Y5543	1
6	Optical drive, DVD Recordable Rambo 8 - SATA 12XRAM Write - for Windows 7 (models)	71Y5545	1
6	Optical drive, Blu-ray Recordable / DVD Super Multi - for Windows 7 (models)	71Y5547	1
7	Diskette drive, 3.5" 1.44MB 2 Mode FDD with Bezel and cable (models)	40Y9107	1
7	Diskette drive, 3.5" 1.44MB 2 Mode FDD with Bezel and cable (models)	40Y9105	1
8	Front bezel assembly (all models)	43N9662	1
8	Front bezel with ODD door assembly (all models)	43N9694	2
9	Internal speaker 400mm -- Optional (all models)	43N9091	2
11	Battery 3V - Lithium (models)	45C1566	1
12	Hard disk drive, SATA 160GB 7200RPM/3Gb/8MB (models)	40Y9035	1
12	Hard disk drive, SATA 250GB 7200RPM/3Gb/8MB (models)	40Y9036	1

Item#	7569 FRUs	FRU#	CRU
12	Hard disk drive, SATA 320GB 7200rpm SATA/8MB (models)	87H4891	1
12	Hard disk drive, SATA 500GB 7200RPM/3Gb/s/8MB (models)	41X5582	1
12	Hard disk drive, 1TB 7200rpm SATA (models)	45C5973	1
12	Hard disk drive, SATA 160GB 7200RPM/3Gb/8MB - optional (models)	53Y6837	1
12	Hard disk drive, SATA 250GB 7200RPM/3Gb/8MB - optional (models)	45K0408	1
12	Hard disk drive, SATA 320GB 7200RPM SATA/8MB - optional (models)	45K0409	1
12	Hard disk drive, SATA 500GB 7200RPM/3Gb/s/8MB - optional (models)	45K0410	1
12	Hard disk drive, 1TB 7200RPM SATA - optional (models)	45K0412	1
12	Hard disk drive, 150G 10K RPM, SATA (models)	46R6400	1
14	Intrusion Switch Asm 475mm --Optional (all models)	39K5022	2
14	Intrusion Switch Asm (all models)	41R6116	2
15	System fan, rear (all models)	41R6269	2
16	Power supply, ATX 450W 80% power supply, Robust, WW, JP (models)	41A9721	2
16	Power supply, ATX 280W power supply, Robust, WW (models)	41A9684	2
16	Power supply, ATX 280W 80% power supply, Robust, WW, JP (models)	41A9665	2
16	Power supply, 280-watt ATX, (85plus)-WW, Robust, JP (models)	45J9431	2
16	Power supply, ATX 280 watt, Robust; WW for EUP (models)	45J9436	2

The FRUs listed in the following tables are not illustrated.

7569 FRUs	FRU#	CRU
Chassis (all models)	45K6346	2
System fan, front fan used for 2X500G (all models)	43N9599	2
Shield, 5.25 EMC FOR 1st ODD Bay (all models)	41N8080	1
Cable - SATA 457 mm (RoHS) for ODD (all models)	43N9013	2
Cable - SATA, Second HDD, 120 mm, 1 latching for Device, RoHS (all models)	41R3328	2
Cable - SATA 250 mm (RoHS) for 1st HDD (all models)	43N9012	2
Second HDD Bracket Asm (all models)	41R6106	1
Temp Sense Cable (6pin 460 mm) (all models)	45J9495	2
FDD Cable (all models)	41A7182	2
FDD Cable, 310 mm (all models)	41A7147	2
I/O Shield (all models)	41N8053	2
Rear I/O Shield, ATX, 946, FOF (all models)	45K6266	2
HDD Tray (all models)	41R6291	1
ODD/FDD/Cardreader Retainers (all models)	43N9351	1
Cable Clip, FW-6D (all models)	43N9462	2
Power switch cable, 760 mm (all models)	45J9512	2
Front I_O cable_R (all models)	45J9506	2
Front I_O cable_R (all models)	45J9592	2
ODD door assembly (all models)	43N9663	1
No FDD cover assembly (all models)	43N9664	1

7569 FRUs	FRU#	CRU
FDD/Card reader cover (all models)	43N9665	1
Chassis primary HDD cage (all models)	45K6272	2
USB cover (all models)	43N9666	1
Top handle assembly (all models)	43N9667	1
3.5" Convert 2.5" for 150GB 10K rpm HDD (1st HDD bay) (all models)	43N9593	2
Thermal Grease (all models)	91P8835	N
Rubber foot (For acoustic improvement) (all models)	45K6278	2

7569 Keyboards (Lenovo Preferred Pro USB -- without hub)	FRU#	CRU
USB FULL--US English (models)	41A5289	1
USB FULL--Arabic (models)	41A5290	1
USB FULL--Arabic/French (models)	41A5291	1
USB FULL--Belgium French (models)	41A5292	1
USB FULL--Belgium English (models)	41A5293	1
USB FULL--Brazilian Portuguese (models)	41A5294	1
USB FULL--Bulgarian (models)	41A5295	1
USB FULL--Chinese/US (models)	41A5296	1
USB FULL--Czech (ABB) (models)	41A5297	1
USB FULL--Danish (models)	41A5298	1
USB FULL--Dutch (models)	41A5299	1
USB FULL--French (models)	41A5300	1
USB FULL--French Canadian (models)	41A5301	1
USB FULL--French Canadian (models)	41A5302	1
USB FULL--German (models)	41A5303	1
USB FULL--Greek (models)	41A5304	1
USB FULL--Greek/US (models)	41A5305	1
USB FULL--Hebrew (models)	41A5306	1
USB FULL--Hungarian (models)	41A5307	1
USB FULL--Iceland (models)	41A5308	1
USB FULL--Italy (models)	41A5309	1
USB FULL--Japanese (models)	41A5310	1
USB FULL--Korean (models)	41A5311	1
USB FULL--LA Spanish (models)	41A5312	1
USB FULL--Norwegian (models)	41A5313	1
USB FULL--Polish (models)	41A5314	1
USB FULL--Portuguese (models)	41A5315	1
USB FULL--Romanian (models)	41A5317	1
USB FULL--Romanian (models)	41A5316	1
USB FULL--Russian/Cyrillic (models)	41A5318	1
USB FULL--Serbian/Cyrillic (models)	41A5319	1
USB FULL--Slovak (models)	41A5320	1

7569 Keyboards (Lenovo Preferred Pro USB -- without hub)	FRU#	CRU
USB FULL--Spanish (models)	41A5321	1
USB FULL--Swedish/Finnish (models)	41A5322	1
USB FULL--Swiss French/German (models)	41A5323	1
USB FULL--Thailand (models)	41A5324	1
USB FULL--Turkish (models)	41A5325	1
USB FULL--Turkish (models)	41A5326	1
USB FULL --UK English (models)	41A5327	1
USB FULL--US Euro (models)	41A5328	1
USB FULL--Slovenian (models)	41A5329	1
USB FULL--Lithuanian (models)	45J4896	1
USB FULL--Estonia (models)	51J0059	1

7569 Keyboards (Lenovo Fingerprint Reader USB)	FRU#	CRU
US English (models)	41R0038	1
Arabic (models)	41R0039	1
Arabic/French (models)	41R0040	1
Belgium French (models)	41R0041	1
Belgium English (models)	41R0042	1
Brazilian Portuguese (models)	41R0043	1
Bulgarian (models)	41R0044	1
Chinese/US (models)	41R0045	1
Czech (ABB) (models)	41R0046	1
Danish (models)	41R0047	1
Dutch (models)	41R0048	1
French (models)	41R0049	1
French Canadian (models)	41R0050	1
French Canadian (models)	41R0051	1
German (models)	41R0052	1
Greek (models)	41R0053	1
Greek/US (models)	41R0054	1
Hebrew (models)	41R0055	1
Hungarian (models)	41R0056	1
Iceland (models)	41R0057	1
Italian (models)	41R0058	1
Japanese (models)	41R0059	1
Korean (models)	41R0060	1
LA Spanish (models)	41R0061	1
Norwegian (models)	41R0062	1
Polish (models)	41R0063	1
Portuguese (models)	41R0064	1
Romanian (models)	41R0065	1

7569 Keyboards (Lenovo Fingerprint Reader USB)	FRU#	CRU
Romanian (models)	41R0066	1
Russian/Cyrillic (models)	41R0067	1
Serbian/Cyrillic (models)	41R0068	1
Slovak (models)	41R0069	1
Spanish (models)	41R0070	1
Swedish/Finnish (models)	41R0071	1
Swiss French/German (models)	41R0072	1
Thailand (models)	41R0073	1
Turkish (models)	41R0074	1
Turkish (models)	41R0075	1
UK English (models)	41R0076	1
US Euro (models)	41R0077	1
Slovenian (models)	41R0078	1

7569 Mice	FRU#	CRU
Optical Wheel Mouse OPT (400DPI, USB) (models)	41U3013	1
Optical Wheel Mouse OPT (400DPI, USB) (models)	41U3030	1

7569 Adapters and miscellaneous FRUs	FRU#	CRU
Internal 25 in 1 USB Memory Card Reader (models)	45R8139	1
IEEE 1394 Firewire Adapter ATX (models)	41D2781	1
Speaker power brick - US, Canada, LA low voltage, ASEAN (models)	89P8571	1
Speaker power brick - LA high voltage (non-APU) (models)	89P8575	1
Speaker power brick - Simplified Chinese, Thailand EMEA (models)	89P8581	1
Speaker power brick - Japanese (models)	89P8577	1
Speaker power brick - Brazil (models)	89P8583	1
Speaker power brick - Argentina (models)	41A4901	1
Speaker power brick - ANZ (models)	89P8579	1
Speaker power brick - Korea (models)	41A4903	1
Speaker power brick - Hong Kong, EMEA, Ireland (models)	89P8573	1
Speaker power brick -Taiwan-Traditional Chinese (models)	41A4905	1
Speaker power brick - India, South Africa (models)	89P8585	1
2-pc external speaker--primary (models)	41A5331	1
2-pc external speaker-secondary (models)	41A5334	1
DVI-I(M)-VGA(F) cord (models)	41R3342	1
Geforce 9500GT GDDR3 512MB - DVI+HDMI+DP (models)	46R1524	1
ATI HD3470 GDDR3 256MB - VGA+DP (models)	46R1521	1
ADD2 DVI-D Adapter, (HDCP) DVD-D connection Adapter Low Profile (Silicon Image) (models)	43C0258	1
DisplayPort to DVI-D Dongle (models)	43N9160	1
DisplayPort to VGA Dongle (models)	45J9524	1

7569 Adapters and miscellaneous FRUs	FRU#	CRU
Modem phone cable (models)	39K5120	1
LI300mm Rear USB 2Ports II HP® (models)	42Y8005	2
LI350mm Rear Com2 cable II mini® (models)	41R8548	2
NVIDIA G100 DDR2 256MB ATX - DVI-I+VGA (models)	53Y9249	1
Soft Modem V.90/V.44 ATX (models)	46R4220	1

7569 Power Cords (Primary)	FRU #	CRU
Power cord - US (models)	41R3184	1
Power cord - China (models)	41R3256	1
Power Cord - Japanese and Japanese English (models)	41R3248	1
Power cord - Brazil (models)	41R3270	1
Power cord - Brazil - optional (models)	45J9595	1
Power cord - LA High Volt (APU) (models)	41R3176	1
Power cord - Australia / New Zealand (models)	41R3196	1
Power cord - Korea (models)	41R3260	1
Power cord - UK, Ireland, Singapore, Malaysia, Brunei, Hong Kong (models)	41R3224	1
Power cord - Taiwan (models)	41R3278	1
Power cord - Italy (models)	41R3232	1
Power cord - Indonesia, Laos, Cambodia, Vietnam, Austria, Belgium, Croatia, Czechoslovakia, Finland, France, Germany, Hungary, Netherlands, Norway, Poland, Portugal, Romania, Spain, Sweden (models)	41R3208	1
Power cord - Denmark (models)	41R3212	1
Power cord - Switzerland (models)	41R3228	1
Power cord - Israel (models)	41R3236	1
Power cord - South Africa (models)	41R3220	1
Power cord - India (models)	41R3341	1
Power cord - Thailand (models)	43N9029	1

7569 Power Cords (Secondary)	FRU#	CRU
Power cord - US (models)	41R3185	1
Power cord - China (models)	41R3257	1
Power Cord - Japanese and Japanese English (models)	41R3249	1
Power cord - Brazil (models)	41R3271	1
Power cord - LA High Volt (APU) (models)	41R3177	1
Power cord - Australia / New Zealand (models)	41R3197	1
Power cord - Korea (models)	41R3261	1
Power cord - UK, Ireland, Singapore, Malaysia, Brunei, Hong Kong (models)	41R3225	1
Power cord - Taiwan (models)	41R3279	1
Power cord - Italy (models)	41R3233	1
Power cord - Indonesia, Laos, Cambodia, Vietnam, Austria, Belgium, Croatia, Czechoslovakia, Finland, France, Germany, Hungary, Netherlands, Norway, Poland, Portugal, Romania, Spain, Sweden (models)	41R3209	1

7569 Power Cords (Secondary)	FRU#	CRU
Power cord - Denmark (models)	41R3213	1
Power cord - Switzerland (models)	41R3229	1
Power cord - Israel (models)	41R3237	1
Power cord - South Africa (models)	41R3221	1
Power cord - India (models)	41R3175	1
Power cord - Thailand (models)	43N9030	1
Power cord - Y cable for Brazil (models)	43N9044	1

7569 Windows XP Home Recovery CDs	FRU#	CRU
US English/UK/Asia Pacific (models)	TBD	1
French/French Canadian (models)	TBD	1
Greek (models)	TBD	1
Italy (models)	TBD	1
Brazilian (models)	TBD	1
Spanish/LA (models)	TBD	1
Danish (models)	TBD	1
Dutch (models)	TBD	1
Arabic (models)	TBD	1
Swedish (models)	TBD	1
Hebrew (models)	TBD	1
Finnish (models)	TBD	1
Norwegian (models)	TBD	1
Polish (models)	TBD	1
Portuguese (models)	TBD	1
Russian (models)	TBD	1
Russian English (models)	TBD	1
Hungarian (models)	TBD	1
Czech (models)	TBD	1
Turkish native (models)	TBD	1
Greek (models)	TBD	1
Japanese (models)	TBD	1
Simplified Chinese (models)	TBD	1
Taiwan-TC (models)	TBD	1
Hong Kong-TC (models)	TBD	1
Korean (models)	TBD	1

7569 Windows XP Pro Recovery CDs	FRU#	CRU
Hebrew (models)	71Y7506	1
Portuguese (models)	71Y7514	1
Russian English (models)	71Y7510	1
Hungarian (models)	71Y7512	1

7569 Windows XP Pro Recovery CDs	FRU#	CRU
Slovenian (models)	71Y7515	1
Korea (models)	71Y7519	1
US English (models)	71Y7493	1
French (models)	71Y7494	1
German (models)	71Y7495	1
Italian (models)	71Y7498	1
Brazilian Portuguese (models)	71Y7497	1
Spanish (models)	71Y7496	1
Danish (models)	71Y7502	1
Dutch (models)	71Y7503	1
Arabic (models)	71Y7508	1
Swedish (models)	71Y7501	1
Finnish (models)	71Y7505	1
Norwegian (models)	71Y7500	1
Polish (models)	71Y7507	1
Russian (models)	71Y7509	1
Czech (models)	71Y7504	1
Turkish (models)	71Y7511	1
Greek (models)	71Y7513	1
Japanese (models)	71Y7499	1
Simplified Chinese (models)	71Y7516	1
Traditional Chinese (models)	71Y7517	1
Hong Kong (models)	71Y7518	1
MUI Nordics (EN-DK-FI-NO-SV) (models)	71Y7520	1
MUI Switz (US EN-FR -GR-IT) (models)	71Y7521	1
MUI Bel-Lux (EN-FR-GR-NL) (models)	71Y7522	1

7569 Vista Home Basic 32 Recovery DVDs	FRU#	CRU
US English (models)	64Y8594	1
French (models)	64Y8596	1
German (models)	64Y8597	1
Spanish (models)	64Y8598	1
Brazilian (models)	64Y8599	1
Italian (models)	64Y8600	1
Dutch (models)	64Y8614	1
Czech (models)	64Y8601	1
Polish (models)	64Y8602	1
Russian (models)	64Y8603	1
Turkish (models)	64Y8604	1
Hungarian (models)	64Y8605	1
Greek (models)	64Y8606	1

7569 Vista Home Basic 32 Recovery DVDs	FRU#	CRU
Portuguese (models)	64Y8617	1
Simplified Chinese (models)	64Y8608	1
Hong Kong (models)	64Y8610	1
Traditional Chinese (models)	64Y8609	1
Korean (models)	64Y8611	1
Slovenian (models)	64Y8612	1
Russian English (models)	64Y8595	1
Hebrew (models)	64Y8615	1
Arabic Localized (models)	64Y8613	1
Slovakian (models)	64Y8619	1
Romanian (models)	64Y8616	1
Serbian-Latin (models)	64Y8618	1
C&L 1 Nordics (EN DK FI NO SV) (models)	64Y8620	1
C&L 2 Switzerland (EN FR GR IT) (models)	64Y8621	1
C&L 3 Bel Lux (EN FR GR NL) (models)	64Y8622	1
Japanese (models)	64Y8607	1

7569 Vista Business 32 Recovery DVDs	FRU#	CRU
US English (models)	64Y8565	1
French (models)	64Y8567	1
German (models)	64Y8568	1
Spanish (models)	64Y8569	1
Brazilian Portuguese (models)	64Y8570	1
Italian (models)	64Y8571	1
Japanese (models)	64Y8578	1
Dutch (models)	64Y8585	1
Czech (models)	64Y8572	1
Polish (models)	64Y8573	1
Russian (models)	64Y8574	1
Turkish (models)	64Y8575	1
Hungarian (models)	64Y8576	1
Greek (models)	64Y8577	1
Portuguese (models)	64Y8588	1
Simplified Chinese (models)	64Y8579	1
Traditional Chinese (models)	64Y8580	1
Hong Kong (models)	64Y8581	1
Korean (models)	64Y8582	1
Slovenian (models)	64Y8583	1
Russian English (models)	64Y8566	1
Romanian (models)	64Y8587	1
Serbian-Latin (models)	64Y8589	1

7569 Vista Business 32 Recovery DVDs	FRU#	CRU
Slovakian (models)	64Y8590	1
Arabic Localized (models)	64Y8584	1
Hebrew (models)	64Y8586	1
C&L 1 Nordics (EN DK FI NO SV) (models)	64Y8591	1
C&L 2 Switzerland (EN FR GR IT) (models)	64Y8592	1
C&L 3 Bel Lux (EN FR GR NL) (models)	64Y8593	1

7569 Vista Home Premium 32 Recovery DVDs	FRU#	CRU
US English (models)	64Y8623	1
French (models)	64Y8624	1
German (models)	64Y8625	1
Spanish (models)	64Y8626	1
Italian (models)	64Y8628	1
Japanese (models)	64Y8629	1
Hong Kong (models)	64Y8630	1
Korean (models)	64Y8627	1
C&L 1 Nordics (EN DK FI NO SV) (models)	64Y8631	1
C&L 2 Switzerland (EN FR GR IT) (models)	64Y8632	1
C&L 3 Bel Lux (EN FR GR NL) (models)	64Y8633	1

7569 Vista Business 64 Recovery DVDs	FRU#	CRU
US English (models)	64Y8643	1
French (models)	64Y8644	1
German (models)	64Y8645	1
Japanese (models)	64Y8646	1
Simplified Chinese (models)	64Y8647	1

7569 Vista Ultimate 32 Recovery DVDs	FRU#	CRU
US English (models)	64Y8634	1
Japanese (models)	64Y8635	1
French (models)	64Y8636	1
German (models)	64Y8637	1
Spanish (models)	64Y8638	1
Italian (models)	64Y8639	1
Hong Kong - Traditional Chinese (models)	64Y8640	1
Arabic localized (models)	64Y8641	1
C&L 1 Nordics (EN DK FI NO SV) (models)	64Y8642	1

7569 Vista Starter 32 Recovery DVDs	FRU#	CRU
English (models)	TBD	1

7569 Windows 7 Home Basic 32 Recovery DVDs	FRU#	CRU
Arabic (models)	71Y7549	1
India English (models)	71Y8655	1
Russian English (models)	71Y7550	1
Russian (models)	71Y7551	1
Spanish (models)	71Y7552	1
Serbian-Latin (models)	71Y7553	1
Turkish (models)	71Y7554	1
English (models)	71Y7555	1

7569 Windows 7 Home Premium 32 Recovery DVDs	FRU#	CRU
Traditional Chinese (models)	71Y7556	1
India English (models)	71Y8656	1
French (models)	71Y7557	1
Hong Kong (models)	71Y7558	1
Italian (models)	71Y7559	1
Japan (models)	71Y7560	1
Korean (models)	71Y7561	1
Spanish (models)	71Y7562	1
English (models)	71Y7563	1
C&L Bel Lux (EN FR GR NL) (models)	71Y7564	1
C&L Nordics (EN DK FI NO SV) (models)	71Y7565	1
C&L Switzerland (EN FR GR IT) (models)	71Y7566	1

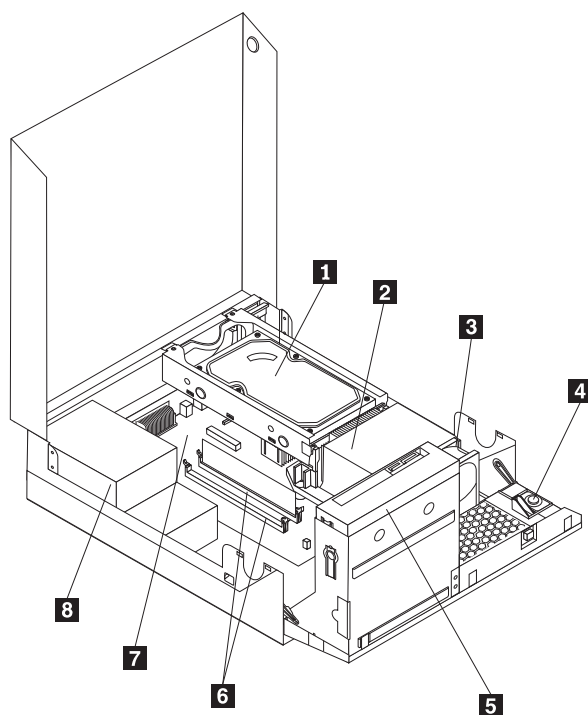
7569 Windows 7 Professional 32 Recovery DVDs	FRU#	CRU
Arabic (models)	71Y7523	1
Traditional Chinese (models)	71Y7524	1
Czech (models)	71Y7525	1
India English (models)	71Y8654	1
French (models)	71Y7526	1
Greek (models)	71Y7527	1
German (models)	71Y7528	1
Hebrew (models)	71Y7529	1
Hong Kong (models)	71Y7530	1
Hungarian (models)	71Y7531	1
Italian (models)	71Y7532	1
Japan (models)	71Y7533	1
Korean (models)	71Y7534	1
Polish (models)	71Y7535	1
Portuguese (models)	71Y7536	1
Russian English (models)	71Y7537	1
Romanian (models)	71Y7538	1

7569 Windows 7 Professional 32 Recovery DVDs	FRU#	CRU
Russian (models)	71Y7539	1
Slovakia (models)	71Y7540	1
Slovenian (models)	71Y7541	1
Spanish (models)	71Y7542	1
Serbian-Latin (models)	71Y7543	1
Turkish (models)	71Y7544	1
English (models)	71Y7545	1
C&L Bel Lux (EN FR GR NL) (models)	71Y7546	1
C&L Nordics (EN DK FI NO SV) (models)	71Y7547	1
C&L Switzerland (EN FR GR IT) (models)	71Y7548	1

7569 Windows 7 Professional 64 Recovery DVDs	FRU#	CRU
Traditional Chinese (models)	71Y7574	1
India English (models)	71Y8658	1
French (models)	71Y7575	1
German (models)	71Y7576	1
Hong Kong (models)	71Y7577	1
Italian (models)	71Y7578	1
Japan (models)	71Y7579	1
Spanish (models)	71Y7580	1
English (models)	71Y7581	1
C&L Bel Lux (EN FR GR NL) (models)	71Y7582	1
C&L Nordics (EN DK FI NO SV) (models)	71Y7583	1
C&L Switzerland (EN FR GR IT) (models)	71Y7584	1

7569 Windows 7 Starter Recovery DVDs	FRU#	CRU
Arabic (models)	71Y7567	1
India English (models)	71Y8657	1
Russian English (models)	71Y7568	1
Russian (models)	71Y7569	1
Spanish (models)	71Y7570	1
Serbian-Latin (models)	71Y7571	1
Turkish (models)	71Y7572	1
English (models)	71Y7573	1

Machine type 7610



Item#	7610 FRUs	FRU#	CRU
1	Hard disk drive, SATA 160GB 7200RPM/3Gb/8MB (models)	40Y9035	1
1	Hard disk drive, SATA 250GB 7200RPM/3Gb/8MB (models)	40Y9036	1
1	Hard disk drive, SATA 320GB 7200rpm SATA/8MB (models)	87H4891	1
1	Hard disk drive, SATA 500GB 7200RPM/3Gb/s/8MB (models)	41X5582	1
1	Hard disk drive, 1TB 7200rpm SATA (models)	45C5973	1
1	Hard disk drive, SATA 160 GB 7200RPM/3GB/8MB - optional (models)	53Y6837	1
1	Hard disk drive, SATA 250 GB 7200RPM/3GB/8MB - optional (models)	45K0408	1
1	Hard disk drive, SATA 320 GB 7200RPM SATA/8MB - optional (models)	45K0409	1
1	Hard disk drive, SATA 500 GB 7200RPM/3GB/s/8MB - optional (models)	45K0410	1
1	Hard disk drive, 1 TB 7200RPM SATA - optional (models)	45K0412	1
1	Hard disk drive, 150 GB 10K RPM, SATA (models)	46R6400	1
2	Microprocessor, E7400 2.8GHZ 1066M 3M R0 (ViiV, EIST, EM64T, EDB) 65W (models)	53Y6653	N
2	Microprocessor, E7500 2.93GHZ 1066M 3M R0 (ViiV, EIST, EM64T, EDB) 65W (models)	53Y6654	N
2	Microprocessor, E5300 2.6GHz 800MHz 2MB R0 (EIST, EM64T, EDB) 65W (models)	53Y9049	N
2	Microprocessor, E1500 2.2GHz 800MHz 512KB (EIST, EM64T, EDB) M0 65W (models)	53Y9051	N
2	Microprocessor, Q8300 Yorkfield 2.5GHZ, 1333MHz, 4M R-0 (ViiV, EIST, EM64T, EDB) 95W (models)	53Y6656	N
2	Microprocessor, E8600 3.33GHZ/1333MHZ/6M E0 65W (models)	46R8640	N
2	Microprocessor, E8500 3.16GHz 1333MHz FSB 6M C-0 65W (models)	45C7735	N

Item#	7610 FRUs	FRU#	CRU
2	Microprocessor, E8400 3.0GHz 1333MHz FSB 6M C-0 65W (models)	45C7736	N
2	Microprocessor, E8300 2.83GHz 1333MHz FSB 6M C-0 65W (models)	45C7737	N
2	Microprocessor, E7200 2.53GHz 1066MHz FSB 3M M-0 65W (models)	45R8337	N
2	Microprocessor, E7300 2.66GHz 1066MHz FSB 3M M-0 65W (models)	46R1622	N
2	Microprocessor, E2200 Conroe-L 2.2GHz 800MHz FSB 1M (models)	45C5349	N
2	Microprocessor, E2220 Conroe-L 2.4GHz 800MHz FSB 1M (models)	45C1774	N
2	Microprocessor, E5200 2.5G 800MHz 2M M-0 65W, 45nm (models)	46R9512	N
2	Microprocessor, E1600 2.4GHZ/800MHZ/512K - NPI M-0 65W (models)	46R1655	N
2	Microprocessor, E1400 2.0GHz 800MHz FSB 512K - NPI M-0 65W (models)	45R8339	N
2	Microprocessor, Cel-440 Conroe-L 2.0GHz 800MHz FSB 512K (models)	43C1965	N
2	Microprocessor, Cel-450 2.2GHz 800MHz FSB 512K 35W (models)	46R9514	N
2	Microprocessor, Q9650 3.0GHZ 1333FSB 12MB VT, TXT E-0 95W (models)	46R8642	N
2	Microprocessor, Q9400 2.66GHZ 1333FSB 6MB VT, TXT R-0 95W (models)	46R8644	N
2	Microprocessor, Q8200 2.33GHz 1333FSB 4M M-1 95W (models)	46R9516	N
2	Microprocessor, Q9550 2.83GHZ 1333FSB 12M C-1 95W (models)	45C7739	N
2	Microprocessor, Q9450 Yorkfield 2.66GHZ 1333FSB 12M C-1 95W (models)	45C7740	N
2	Microprocessor, Q9300 Yorkfield 2.50GHZ 1333FSB 6M M-1 95W (models)	45C7741	N
2	Microprocessor, E5400 2.7G 800MHz-2MB 65W Non-vPro SKU (models 91G 91M 91A 91Q 91K)	64Y1075	N
2	Microprocessor, E7600 3.06GHZ 1066M 3M 65W (models)	71Y3486	N
2	Microprocessor, Q8400 2.66GHZ,1333MHZ,4M 95W (models)	71Y3488	N
2	Microprocessor, E6300 2.8G 1066MHz-2MB 65W (models)	71Y3484	N
2	Microprocessor, E6500 2.93GHZ 1066 MHz-2MB 65W R0 (models)	71Y6250	N
2	Microprocessor, E3300 2.5GHZ 800 MHz-1MB 65W R0 (models)	71Y6252	N
2	Microprocessor, E3200 2.4GHZ 800 MHz-1MB 65W R0 (models)	71Y6251	N
3	95W heat sink kit with RM (all models)	41R6454	2
3	65W heat sink kit with RM (all models)	43N9349	2
3	95W heat sink kit with RM (all models)	43N9874	2
3	65W heat sink kit with RM (all models)	43N9877	2
4	Internal speaker 254 mm - optional (all models)	39K5012	2
5	Optical drive, DVD-ROM Drive - 16x/48x - SATA - for Windows 7 (models)	71Y5543	1
5	Optical drive, DVD Recordable Rambo 8 - SATA 12XRAM Write - for Windows 7 (models)	71Y5545	1
6	Memory module, 512MB PC2-5300 (667MHz) DDR2 SDRAM (models)	41X4255	1
6	Memory module, 1GB PC2-5300 (667MHz) DDR2 SDRAM (models)	41X4256	1
6	Memory module, 2GB PC2-5300 (667MHz) DDR2 SDRAM (models)	41X4257	1
6	Memory module, 512MB PC2-6400 (800MHz) DDR2 SDRAM (models)	41X1079	1
6	Memory module, 1GB PC2-6400 (667MHz) DDR2 SDRAM (models)	41X1080	1
6	Memory module, 2GB PC2-6400 (667MHz) DDR2 SDRAM (models)	41X1081	1
7	System board, Intel G41 BTX(GA) non-AMT (models)	46R8892	N
7	System board, Intel G41 BTX (GA) - NB upgrade (models)	64Y9198	N

Item#	7610 FRUs	FRU#	CRU
7	System board, Intel G41 BTX - EuP and TCM header (models)	71Y6839	N
8	Power supply, 280W Active PFC power supply (Auto sensing) for 10L---Robust, ww, JP (models)	41A9701	N
8	Power supply, 280W 85+ power supply for 10L---Robust, ww, JP (models)	41A9742	N
8	Power supply, 280W Active PFC power supply (auto-sensing) - all countries (models)	45J9418	N
8	Power supply, 280W 85+ power supply - all countries (models)	45J9423	N
8	Power supply, 280 watt Active PFC power supply, auto-sensing for 10L - Robust, WW, JP, for Eup (models)	54Y8804	N

The FRUs listed in the following tables are not illustrated.

7610 FRUs	FRU#	CRU
Battery 3V - Lithium (models)	45C1566	1
Cable - SATA 250 mm (RoHS) for 1st hard disk drive (all models)	43N9012	2
Cable - SATA 600 mm (RoHS) (all models)	45J9579	2
Cable - SATA 700 mm (RoHS) for optical drive / Second hard disk drive (all models)	43N9011	2
C2 intrusion switch 260 mm (all models)	43N9080	2
Rear I/O shield BTX (all models)	41R6381	N
Temp sense cable (165 mm) (all models)	43N9079	2
Air deflector, recycle resin (all models)	43N9610	2
Hard disk drive tray assembly (all models)	43N9595	1
Front cage assembly (all models)	43N9596	N
Front cage assembly (all models)	43N9647	N
Cable, Front I/O cable_R (10L_U380_A550)_ESD (all models)	45J9509	2
Models with 3.5" convert 2.5" for 150 GB 10 K rpm hard disk drive (first HDD bay) (all models)	43N9645	2
3.5" convert 2.5" for 150 GB 10 K rpm hard disk drive (first HDD bay) (all models)	43N9593	2
Universal Adapter Bracket 5.25 to 3.5 (all models)	43N9676	2
Top cover assembly (all models)	43N9594	1
Cable, LED/Switch cable_R (10L_220 mm_PCBA) (all models)	45J9515	2
NO ODD, EMI shielding (all models)	43N9641	1
Card reader bezel (all models)	43N9642	1
Non-card reader bezel (all models)	43N9643	1
Card reader (all models)	45K6081	1
Vertical stand (all models)	43N9644	1
Front bezel assembly (all models)	43N9677	1
Chassis (all models)	43N9649	N
Rubber foot for vertical (all models)	43N9727	1
Rubber foot for horizontal (all models)	43N9728	1
Thermal grease (all models)	91P8835	N
Optical retainer (all models)	45K6364	1

7610 Keyboards (Lenovo Preferred Pro USB -- without hub)	FRU#	CRU
USB FULL--US English (models)	41A5289	1
USB FULL--Arabic (models)	41A5290	1
USB FULL--Arabic/French (models)	41A5291	1
USB FULL--Belgium French (models)	41A5292	1
USB FULL--Belgium English (models)	41A5293	1
USB FULL--Brazilian Portuguese (models)	41A5294	1
USB FULL--Bulgarian (models)	41A5295	1
USB FULL--Chinese/US (models)	41A5296	1
USB FULL--Czech (ABB) (models)	41A5297	1
USB FULL--Danish (models)	41A5298	1
USB FULL--Dutch (models)	41A5299	1
USB FULL--French (models)	41A5300	1
USB FULL--French Canadian (models)	41A5301	1
USB FULL--French Canadian (models)	41A5302	1
USB FULL--German (models)	41A5303	1
USB FULL--Greek (models)	41A5304	1
USB FULL--Greek/US (models)	41A5305	1
USB FULL--Hebrew (models)	41A5306	1
USB FULL--Hungarian (models)	41A5307	1
USB FULL--Iceland (models)	41A5308	1
USB FULL--Italy (models)	41A5309	1
USB FULL--Japanese (models)	41A5310	1
USB FULL--Korean (models)	41A5311	1
USB FULL--LA Spanish (models)	41A5312	1
USB FULL--Norwegian (models)	41A5313	1
USB FULL--Polish (models)	41A5314	1
USB FULL--Portuguese (models)	41A5315	1
USB FULL--Romanian (models)	41A5317	1
USB FULL--Romanian (models)	41A5316	1
USB FULL--Russian/Cyrillic (models)	41A5318	1
USB FULL--Serbian/Cyrillic (models)	41A5319	1
USB FULL--Slovak (models)	41A5320	1
USB FULL--Spanish (models)	41A5321	1
USB FULL--Swedish/Finnish (models)	41A5322	1
USB FULL--Swiss French/German (models)	41A5323	1
USB FULL--Thailand (models)	41A5324	1
USB FULL--Turkish (models)	41A5325	1
USB FULL--Turkish (models)	41A5326	1
USB FULL --UK English (models)	41A5327	1
USB FULL--US Euro (models)	41A5328	1
USB FULL--Slovenian (models)	41A5329	1

7610 Keyboards (Lenovo Preferred Pro USB -- without hub)	FRU#	CRU
USB FULL--Arabic (New) (models)	45J4880	1
USB FULL--Lithuanian (models)	45J4896	1
USB FULL--Estonia (models)	51J0059	1

7610 Keyboards (Lenovo Fingerprint Reader USB)	FRU#	CRU
US English (models)	41R0038	1
Arabic (models)	41R0039	1
Arabic/French (models)	41R0040	1
Belgium French (models)	41R0041	1
Belgium English (models)	41R0042	1
Brazilian Portuguese (models)	41R0043	1
Bulgarian (models)	41R0044	1
Chinese/US (models)	41R0045	1
Czech (ABB) (models)	41R0046	1
Danish (models)	41R0047	1
Dutch (models)	41R0048	1
French (models)	41R0049	1
French Canadian (models)	41R0050	1
French Canadian (models)	41R0051	1
German (models)	41R0052	1
Greek (models)	41R0053	1
Greek/US (models)	41R0054	1
Hebrew (models)	41R0055	1
Hungarian (models)	41R0056	1
Iceland (models)	41R0057	1
Italian (models)	41R0058	1
Japanese (models)	41R0059	1
Korean (models)	41R0060	1
LA Spanish (models)	41R0061	1
Norwegian (models)	41R0062	1
Polish (models)	41R0063	1
Portuguese (models)	41R0064	1
Romanian (models)	41R0065	1
Romanian (models)	41R0066	1
Russian/Cyrillic (models)	41R0067	1
Serbian/Cyrillic (models)	41R0068	1
Slovak (models)	41R0069	1
Spanish (models)	41R0070	1
Swedish/Finnish (models)	41R0071	1
Swiss French/German (models)	41R0072	1
Thailand (models)	41R0073	1

7610 Keyboards (Lenovo Fingerprint Reader USB)	FRU#	CRU
Turkish (models)	41R0074	1
Turkish (models)	41R0075	1
UK English (models)	41R0076	1
US Euro (models)	41R0077	1
Slovenian (models)	41R0078	1

7610 keyboards (Lenovo preferred Pro PS/2 Full Size)	FRU#	CRU
US English (models)	41A5039	1
Arabic (models)	41A5040	1
Arabic (New) (models)	45J4880	1
Arabic French (models)	41A5041	1
Belgium French (models)	41A5042	1
Belgium English (models)	41A5043	1
Brazilian Portuguese (models)	41A5044	1
Bulgarian (models)	41A5045	1
Chinese/US (models)	41A5046	1
Czech (ABB) (models)	41A5047	1
Danish (models)	41A5048	1
Dutch (models)	41A5049	1
French (models)	41A5050	1
French Canadian (models)	41A5051	1
French Canadian (models)	41A5052	1
German (models)	41A5053	1
Greek (models)	41A5054	1
Greek/US (models)	41A5080	1
Hebrew (models)	41A5055	1
Hungarian (models)	41A5056	1
Iceland (models)	41A5057	1
Italian (models)	41A5058	1
Japanese (models)	41A5059	1
Korean (models)	41A5060	1
LA Spanish (models)	41A5061	1
Norwegian (models)	41A5062	1
Polish (models)	41A5063	1
Portuguese (models)	41A5064	1
Romanian (models)	41A5065	1
Russian/Cyrillic (models)	41A5066	1
Serbian/Cyrillic (models)	41A5067	1
Slovak (models)	41A5068	1
Spanish (models)	41A5069	1
Swedish/Finnish (models)	41A5070	1

7610 keyboards (Lenovo preferred Pro PS/2 Full Size)	FRU#	CRU
Swiss French/German (models)	41A5071	1
Thailand (models)	41A5072	1
Turkish (models)	41A5073	1
Turkish (models)	41A5074	1
UK English (models)	41A5075	1
US Euro (models)	41A5076	1
Slovenian (models)	41A5077	1

7610 mice	FRU#	CRU
Optical Wheel Mouse OPT (400DPI, USB) (models)	41U3013	1
Optical Wheel Mouse OPT (400DPI, USB) (models)	41U3030	1

7610 adapters and miscellaneous FRUs	FRU#	CRU
Internal 25 in 1 USB Memory Card Reader Slim (models)	46R1529	1
IEEE 1394 Firewire Adapter (models)	41D2781	1
Soft Modem V.90/V.44 (models)	46R4220	1
Speaker power brick - US, Canada, LA low voltage, ASEAN (models)	89P8571	1
Speaker power brick - LA high voltage (non-APU) (models)	89P8575	1
Speaker power brick - Simplified Chinese, Thailand EMEA (models)	89P8581	1
Speaker power brick - Japanese (models)	89P8577	1
Speaker power brick - Brazil (models)	89P8583	1
Speaker power brick - Argentina (models)	41A4901	1
Speaker power brick - ANZ (models)	89P8579	1
Speaker power brick - Korea (models)	41A4903	1
Speaker power brick - Hong Kong, EMEA, Ireland (models)	89P8573	1
Speaker power brick -Taiwan-Traditional Chinese (models)	41A4905	1
Speaker power brick - India, South Africa (models)	89P8585	1
2-pc external speaker--primary (models)	41A5331	1
2-pc external speaker-secondary (models)	41A5334	1
DVI-I(M)-VGA(F) cord (models)	41R3342	1
ATI HD3470 GDDR3 256MB - VGA+DP (models)	46R1521	1
ADD2 DVI-D Adapter, (HDCP) DVD-D connection Adapter Low Profile (Silicon Image) (models)	43C0258	1
DisplayPort to DVI-D Dongle (models)	43N9160	1
DisplayPort to VGA Dongle (models)	45J9524	1
Modem phone cable (models)	39K5120	1
LI140mm Rear Com2 cable II mini® (models)	43N9062	2
Rear USB 2 Ports II LP® 350 mm (models)	43N9124	2
NVIDIA G100 DDR2 256MB LP - DVI-I (With DVI-I to VGA Dongle) (models)	53Y9341	1

7610 Power Cords (Primary)	FRU#	CRU
Power cord - US (models)	41R3184	1
Power cord - China (models)	41R3256	1
Power cord - Japanese and Japanese English (models)	41R3248	1
Power cord - Brazil (models)	41R3270	1
Power cord - Brazil - optional (models)	45J9595	1
Power cord - LA High Volt (APU) (models)	41R3176	1
Power cord - Australia / New Zealand (models)	41R3196	1
Power cord - Korea (models)	41R3260	1
Power cord - UK, Ireland, Singapore, Malaysia, Brunei, Hong Kong (models)	41R3224	1
Power cord - Taiwan (models)	41R3278	1
Power cord - Italy (models)	41R3232	1
Power cord - Indonesia, Laos, Cambodia, Vietnam, Austria, Belgium, Croatia, Czechoslovakia, Finland, France, Germany, Hungary, Netherlands, Norway, Poland, Portugal, Romania, Spain, Sweden (models)	41R3208	1
Power cord - Denmark (models)	41R3212	1
Power cord - Switzerland (models)	41R3228	1
Power cord - Israel (models)	41R3236	1
Power cord - South Africa (models)	41R3220	1
Power cord - India (models)	41R3341	1
Power cord - Thailand (models)	43N9029	1

7610 Power Cords (Secondary)	FRU#	CRU
Power cord - US (models)	41R3185	1
Power cord - China (models)	41R3257	1
Power Cord - Japanese and Japanese English (models)	41R3249	1
Power cord - Brazil (models)	41R3271	1
Power cord - LA High Volt (APU) (models)	41R3177	1
Power cord - Australia / New Zealand (models)	41R3197	1
Power cord - Korea (models)	41R3261	1
Power cord - UK, Ireland, Singapore, Malaysia, Brunei, Hong Kong (models)	41R3225	1
Power cord - Taiwan (models)	41R3279	1
Power cord - Italy (models)	41R3233	1
Power cord - Indonesia, Laos, Cambodia, Vietnam, Austria, Belgium, Croatia, Czechoslovakia, Finland, France, Germany, Hungary, Netherlands, Norway, Poland, Portugal, Romania, Spain, Sweden (models)	41R3209	1
Power cord - Denmark (models)	41R3213	1
Power cord - Switzerland (models)	41R3229	1
Power cord - Israel (models)	41R3237	1
Power cord - South Africa (models)	41R3221	1
Power cord - India (models)	41R3175	1
Power cord - Thailand (models)	43N9030	1
Power cord - Y cable for Brazil (models)	43N9044	1

7610 Windows XP Home Recovery CDs	FRU#	CRU
US English/UK/Asia Pacific (models)	TBD	1
French/French Canadian (models)	TBD	1
Greek (models)	TBD	1
Italy (models)	TBD	1
Brazilian (models)	TBD	1
Spanish/LA (models)	TBD	1
Danish (models)	TBD	1
Dutch (models)	TBD	1
Arabic (models)	TBD	1
Swedish (models)	TBD	1
Hebrew (models)	TBD	1
Finnish (models)	TBD	1
Norwegian (models)	TBD	1
Polish (models)	TBD	1
Portuguese (models)	TBD	1
Russian (models)	TBD	1
Russian English (models)	TBD	1
Hungarian (models)	TBD	1
Czech (models)	TBD	1
Turkish native (models)	TBD	1
Greek (models)	TBD	1
Japanese (models)	TBD	1
Simplified Chinese (models)	TBD	1
Taiwan-TC (models)	TBD	1
Hong Kong-TC (models)	TBD	1
Korean (models)	TBD	1

7610 Windows XP Pro Recovery CDs	FRU#	CRU
Hebrew (models)	71Y7506	1
Portuguese (models)	71Y7514	1
Russian English (models)	71Y7510	1
Hungarian (models)	71Y7512	1
Slovenian (models)	71Y7515	1
Korea (models)	71Y7519	1
US English (models)	71Y7493	1
French (models)	71Y7494	1
German (models)	71Y7495	1
Italian (models)	71Y7498	1
Brazilian Portuguese (models)	71Y7497	1
Spanish (models)	71Y7496	1

7610 Windows XP Pro Recovery CDs	FRU#	CRU
Danish (models)	71Y7502	1
Dutch (models)	71Y7503	1
Arabic (models)	71Y7508	1
Swedish (models)	71Y7501	1
Finnish (models)	71Y7505	1
Norwegian (models)	71Y7500	1
Polish (models)	71Y7507	1
Russian (models)	71Y7509	1
Czech (models)	71Y7504	1
Turkish (models)	71Y7511	1
Greek (models)	71Y7513	1
Japanese (models)	71Y7499	1
Simplified Chinese (models)	71Y7516	1
Traditional Chinese (models)	71Y7517	1
Hong Kong (models)	71Y7518	1
MUI Nordics (EN-DK-FI-NO-SV) (models)	71Y7520	1
MUI Switz (US EN-FR -GR-IT) (models)	71Y7521	1
MUI Bel-Lux (EN-FR-GR-NL) (models)	71Y7522	1

7610 Vista Home Basic 32 Recovery DVDs	FRU#	CRU
US English (models)	64Y8594	1
French (models)	64Y8596	1
German (models)	64Y8597	1
Spanish (models)	64Y8598	1
Brazilian (models)	64Y8599	1
Italian (models)	64Y8600	1
Dutch (models)	64Y8614	1
Czech (models)	64Y8601	1
Polish (models)	64Y8602	1
Russian (models)	64Y8603	1
Turkish (models)	64Y8604	1
Hungarian (models)	64Y8605	1
Greek (models)	64Y8606	1
Portuguese (models)	64Y8617	1
Simplified Chinese (models)	64Y8608	1
Hong Kong (models)	64Y8610	1
Traditional Chinese (models)	64Y8609	1
Korean (models)	64Y8611	1
Slovenian (models)	64Y8612	1
Russian English (models)	64Y8595	1
Hebrew (models)	64Y8615	1

7610 Vista Home Basic 32 Recovery DVDs	FRU#	CRU
Arabic Localized (models)	64Y8613	1
Slovakian (models)	64Y8619	1
Romanian (models)	64Y8616	1
Serbian-Latin (models)	64Y8618	1
C&L 1 Nordics (EN DK FI NO SV) (models)	64Y8620	1
C&L 2 Switzerland (EN FR GR IT) (models)	64Y8621	1
C&L 3 Bel Lux (EN FR GR NL) (models)	64Y8622	1
Japanese (models)	64Y8607	1

7610 Vista Business 32 Recovery DVDs	FRU#	CRU
US English (models)	64Y8565	1
French (models)	64Y8567	1
German (models)	64Y8568	1
Spanish (models)	64Y8569	1
Brazilian Portuguese (models)	64Y8570	1
Italian (models)	64Y8571	1
Japanese (models)	64Y8578	1
Dutch (models)	64Y8585	1
Czech (models)	64Y8572	1
Polish (models)	64Y8573	1
Russian (models)	64Y8574	1
Turkish (models)	64Y8575	1
Hungarian (models)	64Y8576	1
Greek (models)	64Y8577	1
Portuguese (models)	64Y8588	1
Simplified Chinese (models)	64Y8579	1
Traditional Chinese (models)	64Y8580	1
Hong Kong (models)	64Y8581	1
Korean (models)	64Y8582	1
Slovenian (models)	64Y8583	1
Russian English (models)	64Y8566	1
Romanian (models)	64Y8587	1
Serbian-Latin (models)	64Y8589	1
Slovakian (models)	64Y8590	1
Arabic Localized (models)	64Y8584	1
Hebrew (models)	64Y8586	1
C&L 1 Nordics (EN DK FI NO SV) (models)	64Y8591	1
C&L 2 Switzerland (EN FR GR IT) (models)	64Y8592	1
C&L 3 Bel Lux (EN FR GR NL) (models)	64Y8593	1

7610 Vista Home Premium 32 Recovery DVDs	FRU#	CRU
US English (models)	64Y8623	1
French (models)	64Y8624	1
German (models)	64Y8625	1
Spanish (models)	64Y8626	1
Italian (models)	64Y8628	1
Japanese (models)	64Y8629	1
Hong Kong (models)	64Y8630	1
Korean (models)	64Y8627	1
C&L 1 Nordics (EN DK FI NO SV) (models)	64Y8631	1
C&L 2 Switzerland (EN FR GR IT) (models)	64Y8632	1
C&L 3 Bel Lux (EN FR GR NL) (models)	64Y8633	1

7610 Vista Business 64 Recovery DVDs	FRU#	CRU
US English (models)	64Y8643	1
French (models)	64Y8644	1
German (models)	64Y8645	1
Japanese (models)	64Y8646	1
Simplified Chinese (models)	64Y8647	1

7610 Vista Ultimate 32 Recovery DVDs	FRU#	CRU
US English (models)	64Y8634	1
Japanese (models)	64Y8635	1
French (models)	64Y8636	1
German (models)	64Y8637	1
Spanish (models)	64Y8638	1
Italian (models)	64Y8639	1
Hong Kong - Traditional Chinese (models)	64Y8640	1
Arabic localized (models)	64Y8641	1
C&L 1 Nordics (EN DK FI NO SV) (models)	64Y8642	1

7610 Vista Starter 32 Recovery DVDs	FRU#	CRU
English (models)	TBD	1

7610 Windows 7 Home Basic 32 Recovery DVDs	FRU#	CRU
Arabic (models)	71Y7549	1
India English (models)	71Y8655	1
Russian English (models)	71Y7550	1
Russian (models)	71Y7551	1
Spanish (models)	71Y7552	1
Serbian-Latin (models)	71Y7553	1
Turkish (models)	71Y7554	1

7610 Windows 7 Home Basic 32 Recovery DVDs	FRU#	CRU
English (models)	71Y7555	1

7610 Windows 7 Home Premium 32 Recovery DVDs	FRU#	CRU
Traditional Chinese (models)	71Y7556	1
India English (models)	71Y8656	1
French (models)	71Y7557	1
Hong Kong (models)	71Y7558	1
Italian (models)	71Y7559	1
Japan (models)	71Y7560	1
Korean (models)	71Y7561	1
Spanish (models)	71Y7562	1
English (models)	71Y7563	1
C&L Bel Lux (EN FR GR NL) (models)	71Y7564	1
C&L Nordics (EN DK FI NO SV) (models)	71Y7565	1
C&L Switzerland (EN FR GR IT) (models)	71Y7566	1

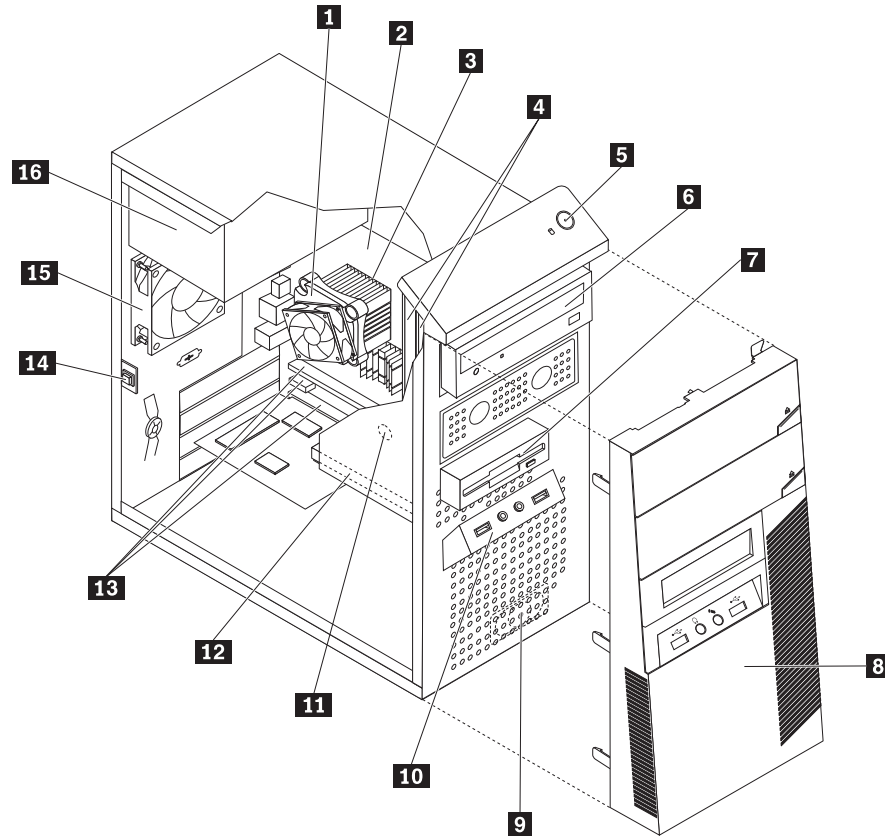
7610 Windows 7 Professional 32 Recovery DVDs	FRU#	CRU
Arabic (models)	71Y7523	1
Traditional Chinese (models)	71Y7524	1
Czech (models)	71Y7525	1
India English (models)	71Y8654	1
French (models)	71Y7526	1
Greek (models)	71Y7527	1
German (models)	71Y7528	1
Hebrew (models)	71Y7529	1
Hong Kong (models)	71Y7530	1
Hungarian (models)	71Y7531	1
Italian (models)	71Y7532	1
Japan (models)	71Y7533	1
Korean (models)	71Y7534	1
Polish (models)	71Y7535	1
Portuguese (models)	71Y7536	1
Russian English (models)	71Y7537	1
Romanian (models)	71Y7538	1
Russian (models)	71Y7539	1
Slovakia (models)	71Y7540	1
Slovenian (models)	71Y7541	1
Spanish (models)	71Y7542	1
Serbian-Latin (models)	71Y7543	1
Turkish (models)	71Y7544	1
English (models)	71Y7545	1

7610 Windows 7 Professional 32 Recovery DVDs	FRU#	CRU
C&L Bel Lux (EN FR GR NL) (models)	71Y7546	1
C&L Nordics (EN DK FI NO SV) (models)	71Y7547	1
C&L Switzerland (EN FR GR IT) (models)	71Y7548	1

7610 Windows 7 Professional 64 Recovery DVDs	FRU#	CRU
Traditional Chinese (models)	71Y7574	1
India English (models)	71Y8658	1
French (models)	71Y7575	1
German (models)	71Y7576	1
Hong Kong (models)	71Y7577	1
Italian (models)	71Y7578	1
Japan (models)	71Y7579	1
Spanish (models)	71Y7580	1
English (models)	71Y7581	1
C&L Bel Lux (EN FR GR NL) (models)	71Y7582	1
C&L Nordics (EN DK FI NO SV) (models)	71Y7583	1
C&L Switzerland (EN FR GR IT) (models)	71Y7584	1

7610 Windows 7 Starter Recovery DVDs	FRU#	CRU
Arabic (models)	71Y7567	1
India English (models)	71Y8657	1
Russian English (models)	71Y7568	1
Russian (models)	71Y7569	1
Spanish (models)	71Y7570	1
Serbian-Latin (models)	71Y7571	1
Turkish (models)	71Y7572	1
English (models)	71Y7573	1

Machine type 7611



Item#	7611 FRUs	FRU#	CRU
1	Intel 95W / 65W heat sink (all models)	43N9409	2
1	Intel 65W heat sink (all models)	43N9708	2
1	Intel 65W heat sink (all models)	45K6227	2
1	Intel 95W / 65W heat sink (all models)	43N9897	2
2	System board, Intel G41 MATX(GA) non-AMT (models 91U 91F 91M 91Q 91C 91K A1H A2H A3H A4H A5H A6H A7H A8H B6H B5S B5P B5Y A9V B1A B2A B3A B4A 71G 72G 73G 74G 75G 76G 77G 78G 79G 7AG B7S B7Y B8S B8Y B9S B9Y D3H D1A D2A 7BG 7CG D4U D4F D5U D5F 7DG 7FG 7GG 7HG 7JG D6S D6D D6Y D7S D7D D7Y D8S D8D D8Y D9S D9D D9Y E1S E1D E1Y E2S E2D E2Y E3S E3D E3Y)	46R8891	N
2	System board, Intel G41 MATX(GA) -NB upgrade (models 91U 91F 91M 91Q 91C 91K A1H A2H A3H A4H A5H A6H A7H A8H B6H B5S B5P B5Y A9V B1A B2A B3A B4A 71G 72G 73G 74G 75G 76G 77G 78G 79G 7AG B7S B7Y B8S B8Y B9S B9Y D3H D1A D2A 7BG 7CG D4U D4F D5U D5F 7DG 7FG 7GG 7HG 7JG D6S D6D D6Y D7S D7D D7Y D8S D8D D8Y D9S D9D D9Y E1S E1D E1Y E2S E2D E2Y E3S E3D E3Y)	64Y9197	N
2	System board, Intel G41 MATX -- EuP and No TCM header (models 91U 91F 91M 91Q 91C 91K A1H A2H A3H A4H A5H A6H A7H A8H B6H B5S B5P B5Y A9V B1A B2A B3A B4A 71G 72G 73G 74G 75G 76G 77G 78G 79G 7AG B7S B7Y B8S B8Y B9S B9Y D3H D1A D2A 7BG 7CG D4U D4F D5U D5F 7DG 7FG 7GG 7HG 7JG D6S D6D D6Y D7S D7D D7Y D8S D8D D8Y D9S D9D D9Y E1S E1D E1Y E2S E2D E2Y E3S E3D E3Y)	71Y6838	N

Item#	7611 FRUs	FRU#	CRU
3	Microprocessor, E7400 2.8GHZ 1066M 3M R0 (ViiV, EIST, EM64T, EDB) 65W (models 91U 91F 91M 91Q 91C 91K B3A B4A 73G 74G 79G 7AG)	53Y6653	N
3	Microprocessor, E7500 2.93GHZ 1066M 3M R0 (ViiV, EIST, EM64T, EDB) 65W (models A7H B2A D3H D2A 7BG 7CG D4U D4F 7HG D8S D8D D8Y D9S D9D D9Y)	53Y6654	N
3	Microprocessor, E5300 2.6GHz 800MHz 2MB R0 (EIST, EM64T, EDB) 65W (models A8H D5U D5F)	53Y9049	N
3	Microprocessor, E1500 2.2GHz 800MHz 512KB (EIST, EM64T, EDB) M0 65W (models)	53Y9051	N
3	Microprocessor, Q8300 Yorkfield 2.5GHZ, 1333MHz, 4M R-0 (ViiV, EIST, EM64T, EDB) 95W (models)	53Y6656	N
3	Microprocessor, E8600 3.33GHZ/1333MHZ/6M E0 65W (models)	46R8640	N
3	Microprocessor, E8500 3.16GHz 1333MHz FSB 6M C-0 65W (models A5H)	45C7735	N
3	Microprocessor, E8400 3.0GHz 1333MHz FSB 6M C-0 65W (models A1H A9V 75G 76G)	45C7736	N
3	Microprocessor, E8300 2.83GHz 1333MHz FSB 6M C-0 65W (models)	45C7737	N
3	Microprocessor, E7200 2.53GHz 1066MHz FSB 3M M-0 65W (models)	45R8337	N
3	Microprocessor, E7300 2.66GHz 1066MHz FSB 3M M-0 65W (models A2H A3H B1A)	46R1622	N
3	Microprocessor, E2200 Conroe-L 2.2GHz 800MHz FSB 1M (models)	45C5349	N
3	Microprocessor, E2220 Conroe-L 2.4GHz 800MHz FSB 1M (models)	45C1774	N
3	Microprocessor, E5200 2.5G 800MHz 2M M-0 65W, 45nm (models B6H B5S B5P B5Y 77G 78G)	46R9512	N
3	Microprocessor, E1600 2.4GHZ/800MHZ/512K - NPI M-0 65W (models)	46R1655	N
3	Microprocessor, E1400 2.0GHz 800MHz FSB 512K - NPI M-0 65W (models 71G 72G)	45R8339	N
3	Microprocessor, Cel-440 Conroe-L 2.0GHz 800MHz FSB 512K (models)	43C1965	N
3	Microprocessor, Cel-450 2.2GHz 800MHz FSB 512K 35W (models)	46R9514	N
3	Microprocessor, Q9650 3.0GHZ 1333FSB 12MB VT, TXT E-0 95W (models)	46R8642	N
3	Microprocessor, Q9400 2.66GHZ 1333FSB 6MB VT, TXT R-0 95W (models A6H)	46R8644	N
3	Microprocessor, Q8200 2.33GHz 1333FSB 4M M-1 95W (models A4H B7S B7Y B8S B8Y B9S B9Y)	46R9516	N
3	Microprocessor, Q9550 2.83GHZ 1333FSB 12M C-1 95W (models)	45C7739	N
3	Microprocessor, Q9450 Yorkfield 2.66GHZ 1333FSB 12M C-1 95W (models)	45C7740	N
3	Microprocessor, Q9300 Yorkfield 2.50GHZ 1333FSB 6M M-1 95W (models)	45C7741	N
3	Microprocessor, E5400 2.7G 800MHz 2MB 65W Non-vPro SKU (models D1A)	64Y1075	N
3	Microprocessor, E7600 3.06GHZ 1066M 3M 65W (models)	71Y3486	N
3	Microprocessor, Q8400 2.66GHZ,1333MHz,4M 95W (models D6S D6D D6Y D7S D7D D7Y)	71Y3488	N
3	Microprocessor, E6300 2.8G 1066MHz-2MB 65W (models E1S E1D E1Y E2S E2D E2Y)	71Y3484	N
3	Microprocessor, E6500 2.93GHZ 1066 MHz-2MB 65W R0 (models)	71Y6250	N
3	Microprocessor, E3300 2.5GHZ 800 MHz-1MB 65W R0 (models)	71Y6252	N
3	Microprocessor, E3200 2.4GHZ 800 MHz-1MB 65W R0 (models E3S E3D E3Y)	71Y6251	N
4	Memory module, 512MB PC2-5300 (667MHz) DDR2 SDRAM (models)	41X4255	1

Item#	7611 FRUs	FRU#	CRU
4	Memory module, 1GB PC2-5300 (667MHz) DDR2 SDRAM (models)	41X4256	1
4	Memory module, 2GB PC2-5300 (667MHz) DDR2 SDRAM (models)	41X4257	1
4	Memory module, 512MB PC2-6400 (800MHz) DDR2 SDRAM (models)	41X1079	1
4	Memory module, 1GB PC2-6400 (667MHz) DDR2 SDRAM (models A2H A3H A4H A5H A6H A8H B6H B5S B5P B5Y A9V B1A B3A B4A B8S B8Y B9S B9Y D1A D2A 7DG 7GG D7S D7D D7Y D8S D8D D8Y E2S E2D E2Y E3S E3D E3Y)	41X1080	1
4	Memory module, 2GB PC2-6400 (667MHz) DDR2 SDRAM (models 91U 91F 91M 91Q 91C 91K A1H A7H B2A 71G 72G 73G 74G 75G 76G 77G 78G 79G 7AG B7S B7Y D3H 7BG 7CG D4U D4F D5U D5F 7FG 7HG 7JG D6S D6D D6Y D9S D9D D9Y E1S E1D E1Y)	41X1081	1
6	Optical drive, DVD-ROM Drive - 16x/48x - SATA - for Windows 7 (models A2H A8H A9V)	71Y5543	1
6	Optical drive, DVD Recordable Rambo 8 - SATA 12XRAM Write - for Windows 7 (models 91U 91F 91M 91Q 91C 91K A1H A3H A4H A5H A6H A7H B6H B5S B5P B5Y B1A B2A B3A B4A 71G 72G 73G 74G 75G 76G 77G 78G 79G 7AG B7S B7Y B8S B8Y B9S B9Y D3H D1A D2A 7BG 7CG D4U D4F D5U D5F 7FG 7HG 7JG D6S D6D D6Y D7S D7D D7Y D8S D8D D8Y D9S D9D D9Y E1S E1D E1Y E2S E2D E2Y E3S E3D E3Y)	71Y5545	1
6	Optical drive, Blu-ray Recordable / DVD Super Multi - for Windows 7 (models)	71Y5547	1
7	Diskette drive, 3.5" 1.44MB 2 Mode FDD with Bezel and cable (models)	40Y9107	1
7	Diskette drive, 3.5" 1.44MB 2 Mode FDD with Bezel and cable (models)	40Y9105	1
8	Front bezel assembly (all models)	43N9662	1
8	Front bezel with ODD door assembly (all models)	43N9694	2
9	Internal speaker 400mm -- Optional (all models)	43N9091	2
11	Battery 3V - Lithium (models 91U 91F 91M 91Q 91C 91K A1H A2H A3H A4H A5H A6H A7H A8H B6H B5S B5P B5Y A9V B1A B2A B3A B4A 71G 72G 73G 74G 75G 76G 77G 78G 79G 7AG B7S B7Y B8S B8Y B9S B9Y D3H D1A D2A 7BG 7CG D4U D4F D5U D5F 7DG 7FG 7GG 7HG 7JG D6S D6D D6Y D7S D7D D7Y D8S D8D D8Y D9S D9D D9Y E1S E1D E1Y E2S E2D E2Y E3S E3D E3Y)	45C1566	1
12	Hard disk drive, SATA 160GB 7200RPM/3Gb/8MB (models A1H A2H B5S B5P B5Y A9V B1A 71G 72G B9S B9Y D5U D5F)	40Y9035	1
12	Hard disk drive, SATA 250GB 7200RPM/3Gb/8MB (models A3H A4H A5H B6H B2A B3A B4A B7S B7Y B8S B8Y D3H D1A D2A D4U D4F 7DG 7GG D6S D6D D6Y D7S D7D D7Y D8S D8D D8Y D9S D9D D9Y E1S E1D E1Y E2S E2D E2Y E3S E3D E3Y)	40Y9036	1
12	Hard disk drive, SATA 320GB 7200rpm SATA/8MB (models A6H A7H A8H 73G 74G 75G 76G 77G 78G 79G 7AG 7BG 7CG)	87H4891	1
12	Hard disk drive, SATA 500GB 7200RPM/3Gb/s/8MB (models)	41X5582	1
12	Hard disk drive, 1TB 7200rpm SATA (models)	45C5973	1
12	Hard disk drive, SATA 160GB 7200RPM/3Gb/8MB - optional (models A1H A2H B5S B5P B5Y A9V B1A 71G 72G B9S B9Y D5U D5F)	53Y6837	1
12	Hard disk drive, SATA 250GB 7200RPM/3Gb/8MB - optional (models A3H A4H A5H B6H B2A B3A B4A B7S B7Y B8S B8Y D3H D1A D2A D4U D4F 7DG 7GG D6S D6D D6Y D7S D7D D7Y D8S D8D D8Y D9S D9D D9Y E1S E1D E1Y E2S E2D E2Y E3S E3D E3Y)	45K0408	1
12	Hard disk drive, SATA 320GB 7200RPM SATA/8MB - optional (models 91U 91F 91M 91Q 91C 91K A6H A7H A8H 73G 74G 75G 76G 77G 78G 79G 7AG 7BG 7CG 7FG 7HG 7JG)	45K0409	1
12	Hard disk drive, SATA 500GB 7200RPM/3Gb/s/8MB - optional (models)	45K0410	1

Item#	7611 FRUs	FRU#	CRU
12	Hard disk drive, 1TB 7200RPM SATA - optional (models)	45K0412	1
12	Hard disk drive, 150G 10K RPM, SATA (models)	46R6400	1
14	Intrusion Switch Asm 475mm --Optional (all models)	39K5022	2
14	Intrusion Switch Asm (all models)	41R6116	2
15	System fan, rear (all models)	41R6269	2
16	Power supply, ATX 450W 80% power supply, Robust, WW, JP (models 91U 91F 91M 91Q 91C 91K A1H A2H A3H A4H A5H A6H A7H A8H B6H B5S B5P B5Y A9V B1A B2A B3A B4A 71G 72G 73G 74G 75G 76G 77G 78G 79G 7AG B7S B7Y B8S B8Y B9S B9Y D3H D1A D2A 7BG 7CG D4U D4F D5U D5F 7DG 7FG 7GG 7HG 7JG D6S D6D D6Y D7S D7D D7Y D8S D8D D8Y D9S D9D D9Y E1S E1D E1Y E2S E2D E2Y E3S E3D E3Y)	41A9721	2
16	Power supply, ATX 280W power supply, Robust, WW (models 91U 91F 91M 91Q 91C 91K A1H A2H A3H A4H A5H A6H A7H A8H B6H B5S B5P B5Y A9V B1A B2A B3A B4A 71G 72G 73G 74G 75G 76G 77G 78G 79G 7AG B7S B7Y B8S B8Y B9S B9Y D3H D1A D2A 7BG 7CG D4U D4F D5U D5F 7DG 7FG 7GG 7HG 7JG D6S D6D D6Y D7S D7D D7Y D8S D8D D8Y D9S D9D D9Y E1S E1D E1Y E2S E2D E2Y E3S E3D E3Y)	41A9684	2
16	Power supply, ATX 280W 80% power supply, Robust, WW, JP (models 91U 91F 91M 91Q 91C 91K A1H A2H A3H A4H A5H A6H A7H A8H B6H B5S B5P B5Y A9V B1A B2A B3A B4A 71G 72G 73G 74G 75G 76G 77G 78G 79G 7AG B7S B7Y B8S B8Y B9S B9Y D3H D1A D2A 7BG 7CG D4U D4F D5U D5F 7DG 7FG 7GG 7HG 7JG D6S D6D D6Y D7S D7D D7Y D8S D8D D8Y D9S D9D D9Y E1S E1D E1Y E2S E2D E2Y E3S E3D E3Y)	41A9665	2
16	Power supply, 280-watt ATX, (85plus)-WW, Robust, JP (models 91U 91F 91M 91Q 91C 91K A1H A2H A3H A4H A5H A6H A7H A8H B6H B5S B5P B5Y A9V B1A B2A B3A B4A 71G 72G 73G 74G 75G 76G 77G 78G 79G 7AG B7S B7Y B8S B8Y B9S B9Y D3H D1A D2A 7BG 7CG D4U D4F D5U D5F 7DG 7FG 7GG 7HG 7JG D6S D6D D6Y D7S D7D D7Y D8S D8D D8Y D9S D9D D9Y E1S E1D E1Y E2S E2D E2Y E3S E3D E3Y)	45J9431	2
16	Power supply, ATX 280 watt, Robust; WW for EUP (models 91U 91F 91M 91Q 91C 91K A1H A2H A3H A4H A5H A6H A7H A8H B6H B5S B5P B5Y A9V B1A B2A B3A B4A 71G 72G 73G 74G 75G 76G 77G 78G 79G 7AG B7S B7Y B8S B8Y B9S B9Y D3H D1A D2A 7BG 7CG D4U D4F D5U D5F 7DG 7FG 7GG 7HG 7JG D6S D6D D6Y D7S D7D D7Y D8S D8D D8Y D9S D9D D9Y E1S E1D E1Y E2S E2D E2Y E3S E3D E3Y)	45J9436	2

The FRUs listed in the following tables are not illustrated.

7611 FRUs	FRU#	CRU
Chassis (all models)	45K6346	2
System fan, front fan used for 2X500G (all models)	43N9599	2
Shield, 5.25 EMC FOR 1st ODD Bay (all models)	41N8080	1
Cable - SATA 457 mm (RoHS) for ODD (all models)	43N9013	2
Cable - SATA, Second HDD, 120 mm, 1 latching for Device, RoHS (all models)	41R3328	2
Cable - SATA 250 mm (RoHS) for 1st HDD (all models)	43N9012	2
Second HDD Bracket Asm (all models)	41R6106	1
Temp Sense Cable (6pin 460 mm) (all models)	45J9495	2
FDD Cable (all models)	41A7182	2
FDD Cable, 310 mm (all models)	41A7147	2

7611 FRUs	FRU#	CRU
I/O Shield (all models)	41N8053	2
Rear I/O Shield, ATX, 946, FOF (all models)	45K6266	2
HDD Tray (all models)	41R6291	1
ODD/FDD/Cardreader Retainers (all models)	43N9351	1
Cable Clip, FW-6D (all models)	43N9462	2
Power switch cable, 760 mm (all models)	45J9512	2
Front I_O cable_R (all models)	45J9506	2
Front I_O cable_R (all models)	45J9592	2
ODD door assembly (all models)	43N9663	1
No FDD cover assembly (all models)	43N9664	1
FDD/Card reader cover (all models)	43N9665	1
Chassis primary hard disk drive cage (all models)	45K6272	2
USB cover (all models)	43N9666	1
Top handle assembly (all models)	43N9667	1
3.5" Convert 2.5" for 150GB 10K rpm HDD (1st HDD bay) (all models)	43N9593	2
Thermal Grease (all models)	91P8835	N
Rubber foot (For acoustic improvement) (all models)	45K6278	2

7611 Keyboards (Lenovo Preferred Pro USB -- without hub)	FRU#	CRU
USB FULL--US English (models A1H A2H A3H A4H A5H A6H A7H A8H B6H B1A B2A B3A B4A 71G 72G 73G 74G 75G 76G 77G 78G 79G 7AG D3H D1A D2A 7BG 7CG D4U D5U)	41A5289	1
USB FULL--Arabic (models 71G 72G 73G 74G 75G 76G 77G 78G 79G 7AG 7BG 7CG)	41A5290	1
USB FULL--Arabic/French (models 71G 72G 73G 74G 75G 76G 77G 78G 79G 7AG 7BG 7CG)	41A5291	1
USB FULL--Belgium French (models 71G 72G 73G 74G 75G 76G 77G 78G 79G 7AG 7BG 7CG)	41A5292	1
USB FULL--Belgium English (models 71G 72G 73G 74G 75G 76G 77G 78G 79G 7AG 7BG 7CG)	41A5293	1
USB FULL--Brazilian Portuguese (models B5P)	41A5294	1
USB FULL--Bulgarian (models 71G 72G 73G 74G 75G 76G 77G 78G 79G 7AG 7BG 7CG)	41A5295	1
USB FULL--Chinese/US (models A9V)	41A5296	1
USB FULL--Czech (ABB) (models 71G 72G 73G 74G 75G 76G 77G 78G 79G 7AG 7BG 7CG)	41A5297	1
USB FULL--Danish (models 71G 72G 73G 74G 75G 76G 77G 78G 79G 7AG 7BG 7CG)	41A5298	1
USB FULL--Dutch (models 71G 72G 73G 74G 75G 76G 77G 78G 79G 7AG 7BG 7CG)	41A5299	1
USB FULL--French (models 71G 72G 73G 74G 75G 76G 77G 78G 79G 7AG 7BG 7CG)	41A5300	1
USB FULL--French Canadian (models 71G 72G 73G 74G 75G 76G 77G 78G 79G 7AG 7BG 7CG D4F D5F)	41A5301	1
USB FULL--French Canadian (models 71G 72G 73G 74G 75G 76G 77G 78G 79G 7AG 7BG 7CG D4F D5F)	41A5302	1
USB FULL--German (models 71G 72G 73G 74G 75G 76G 77G 78G 79G 7AG 7BG 7CG)	41A5303	1
USB FULL--Greek (models 71G 72G 73G 74G 75G 76G 77G 78G 79G 7AG 7BG 7CG)	41A5304	1

7611 Keyboards (Lenovo Preferred Pro USB -- without hub)	FRU#	CRU
USB FULL--Greek/US (models 71G 72G 73G 74G 75G 76G 77G 78G 79G 7AG 7BG 7CG)	41A5305	1
USB FULL--Hebrew (models 71G 72G 73G 74G 75G 76G 77G 78G 79G 7AG 7BG 7CG)	41A5306	1
USB FULL--Hungarian (models 71G 72G 73G 74G 75G 76G 77G 78G 79G 7AG 7BG 7CG)	41A5307	1
USB FULL--Iceland (models 71G 72G 73G 74G 75G 76G 77G 78G 79G 7AG 7BG 7CG)	41A5308	1
USB FULL--Italy (models 71G 72G 73G 74G 75G 76G 77G 78G 79G 7AG 7BG 7CG)	41A5309	1
USB FULL--Japanese (models)	41A5310	1
USB FULL--Korean (models)	41A5311	1
USB FULL--LA Spanish (models B5S B5Y B7S B7Y B8S B8Y B9S B9Y D6S D6D D6Y D7S D7D D7Y D8S D8D D8Y D9S D9D D9Y E1S E1D E1Y E2S E2D E2Y E3S E3D E3Y)	41A5312	1
USB FULL--Norwegian (models 71G 72G 73G 74G 75G 76G 77G 78G 79G 7AG 7BG 7CG)	41A5313	1
USB FULL--Polish (models 71G 72G 73G 74G 75G 76G 77G 78G 79G 7AG 7BG 7CG)	41A5314	1
USB FULL--Portuguese (models 71G 72G 73G 74G 75G 76G 77G 78G 79G 7AG 7BG 7CG)	41A5315	1
USB FULL--Romanian (models 71G 72G 73G 74G 75G 76G 77G 78G 79G 7AG 7BG 7CG)	41A5317	1
USB FULL--Romanian (models 71G 72G 73G 74G 75G 76G 77G 78G 79G 7AG 7BG 7CG)	41A5316	1
USB FULL--Russian/Cyrillic (models 71G 72G 73G 74G 75G 76G 77G 78G 79G 7AG 7BG 7CG)	41A5318	1
USB FULL--Serbian/Cyrillic (models 71G 72G 73G 74G 75G 76G 77G 78G 79G 7AG 7BG 7CG)	41A5319	1
USB FULL--Slovak (models 71G 72G 73G 74G 75G 76G 77G 78G 79G 7AG 7BG 7CG)	41A5320	1
USB FULL--Spanish (models 71G 72G 73G 74G 75G 76G 77G 78G 79G 7AG 7BG 7CG)	41A5321	1
USB FULL--Swedish/Finnish (models 71G 72G 73G 74G 75G 76G 77G 78G 79G 7AG 7BG 7CG)	41A5322	1
USB FULL--Swiss French/German (models 71G 72G 73G 74G 75G 76G 77G 78G 79G 7AG 7BG 7CG)	41A5323	1
USB FULL--Thailand (models)	41A5324	1
USB FULL--Turkish (models 71G 72G 73G 74G 75G 76G 77G 78G 79G 7AG 7BG 7CG)	41A5325	1
USB FULL--Turkish (models 71G 72G 73G 74G 75G 76G 77G 78G 79G 7AG 7BG 7CG)	41A5326	1
USB FULL --UK English (models 71G 72G 73G 74G 75G 76G 77G 78G 79G 7AG 7BG 7CG)	41A5327	1
USB FULL--US Euro (models 71G 72G 73G 74G 75G 76G 77G 78G 79G 7AG 7BG 7CG)	41A5328	1
USB FULL--Slovenian (models 71G 72G 73G 74G 75G 76G 77G 78G 79G 7AG 7BG 7CG)	41A5329	1
USB FULL--Lithuanian (models 71G 72G 73G 74G 75G 76G 77G 78G 79G 7AG 7BG 7CG)	45J4896	1
USB FULL--Estonia (models)	51J0059	1

7611 Keyboards (Lenovo Fingerprint Reader USB)	FRU#	CRU
US English (models)	41R0038	1
Arabic (models)	41R0039	1
Arabic/French (models)	41R0040	1
Belgium French (models)	41R0041	1
Belgium English (models)	41R0042	1
Brazilian Portuguese (models)	41R0043	1
Bulgarian (models)	41R0044	1
Chinese/US (models)	41R0045	1

7611 Keyboards (Lenovo Fingerprint Reader USB)	FRU#	CRU
Czech (ABB) (models)	41R0046	1
Danish (models)	41R0047	1
Dutch (models)	41R0048	1
French (models)	41R0049	1
French Canadian (models)	41R0050	1
French Canadian (models)	41R0051	1
German (models)	41R0052	1
Greek (models)	41R0053	1
Greek/US (models)	41R0054	1
Hebrew (models)	41R0055	1
Hungarian (models)	41R0056	1
Iceland (models)	41R0057	1
Italian (models)	41R0058	1
Japanese (models)	41R0059	1
Korean (models)	41R0060	1
LA Spanish (models)	41R0061	1
Norwegian (models)	41R0062	1
Polish (models)	41R0063	1
Portuguese (models)	41R0064	1
Romanian (models)	41R0065	1
Romanian (models)	41R0066	1
Russian/Cyrillic (models)	41R0067	1
Serbian/Cyrillic (models)	41R0068	1
Slovak (models)	41R0069	1
Spanish (models)	41R0070	1
Swedish/Finnish (models)	41R0071	1
Swiss French/German (models)	41R0072	1
Thailand (models)	41R0073	1
Turkish (models)	41R0074	1
Turkish (models)	41R0075	1
UK English (models)	41R0076	1
US Euro (models)	41R0077	1
Slovenian (models)	41R0078	1

7611 Mice	FRU#	CRU
Optical Wheel Mouse OPT (400DPI, USB) (models 91U 91F 91M 91Q 91C 91K A1H A2H A3H A4H A5H A6H A7H A8H B6H B5S B5P B5Y A9V B1A B2A B3A B4A 71G 72G 73G 74G 75G 76G 77G 78G 79G 7AG B7S B7Y B8S B8Y B9S B9Y D3H D1A D2A 7BG 7CG D4U D4F D5U D5F 7DG 7FG 7GG 7HG 7JG D6S D6D D6Y D7S D7D D7Y D8S D8D D8Y D9S D9D D9Y E1S E1D E1Y E2S E2D E2Y E3S E3D E3Y)	41U3013	1

7611 Mice	FRU#	CRU
Optical Wheel Mouse OPT (400DPI, USB) (models 91U 91F 91M 91Q 91C 91K A1H A2H A3H A4H A5H A6H A7H A8H B6H B5S B5P B5Y A9V B1A B2A B3A B4A 71G 72G 73G 74G 75G 76G 77G 78G 79G 7AG B7S B7Y B8S B8Y B9S B9Y D3H D1A D2A 7BG 7CG D4U D4F D5U D5F 7DG 7FG 7GG 7HG 7JG D6S D6D D6Y D7S D7D D7Y D8S D8D D8Y D9S D9D D9Y E1S E1D E1Y E2S E2D E2Y E3S E3D E3Y)	41U3030	1

7611 Adapters and miscellaneous FRUs	FRU#	CRU
Internal 25 in 1 USB Memory Card Reader (models)	45R8139	1
IEEE 1394 Firewire Adapter ATX (models)	41D2781	1
Speaker power brick - US, Canada, LA low voltage, ASEAN (models D4U D5U)	89P8571	1
Speaker power brick - LA high voltage (non-APU) (models)	89P8575	1
Speaker power brick - Simplified Chinese, Thailand EMEA (models 71G 72G 73G 74G 75G 76G 77G 78G 79G 7AG 7BG 7CG)	89P8581	1
Speaker power brick - Japanese (models)	89P8577	1
Speaker power brick - Brazil (models)	89P8583	1
Speaker power brick - Argentina (models)	41A4901	1
Speaker power brick - ANZ (models 91M)	89P8579	1
Speaker power brick - Korea (models)	41A4903	1
Speaker power brick - Hong Kong, EMEA, Ireland (models 71G 72G 73G 74G 75G 76G 77G 78G 79G 7AG 7BG 7CG)	89P8573	1
Speaker power brick -Taiwan-Traditional Chinese (models A9V)	41A4905	1
Speaker power brick - India, South Africa (models 91Q)	89P8585	1
2-pc external speaker--primary (models)	41A5331	1
2-pc external speaker-secondary (models)	41A5334	1
DVI-I(M)-VGA(F) cord (models)	41R3342	1
Geforce 9500GT GDDR3 512MB - DVI+HDMI+DP (models)	46R1524	1
ATI HD3470 GDDR3 256MB - VGA+DP (models)	46R1521	1
ADD2 DVI-D Adapter, (HDCP) DVD-D connection Adapter Low Profile (Silicon Image) (models 75G 76G)	43C0258	1
DisplayPort to DVI-D Dongle (models)	43N9160	1
DisplayPort to VGA Dongle (models)	45J9524	1
Modem phone cable (models)	39K5120	1
LI300mm Rear USB 2Ports II HP® (models)	42Y8005	2
LI350mm Rear Com2 cable II mini® (models)	41R8548	2
NVIDIA G100 DDR2 256MB ATX - DVI-I+VGA (models CTO)	53Y9249	1
Soft Modem V.90/V.44 ATX (models)	46R4220	1

7611 Power Cords (Primary)	FRU #	CRU
Power cord - US (models 91U 91F B5S B5Y B1A B2A B3A B4A B7S B7Y B8S B8Y B9S B9Y D1A D2A D4U D4F D5U D5F D6S D6Y D7S D7Y D8S D8Y D9S D9Y E1S E1Y E2S E2Y E3S E3Y)	41R3184	1
Power cord - China (models 91C)	41R3256	1
Power cord - Japanese and Japanese English (models)	41R3248	1

7611 Power Cords (Primary)	FRU #	CRU
Power cord - Brazil (models)	41R3270	1
Power cord - Brazil - optional (models)	45J9595	1
Power cord - LA High Volt (APU) (models)	41R3176	1
Power cord - Australia / New Zealand (models)	41R3196	1
Power cord - Korea (models)	41R3260	1
Power cord - UK, Ireland, Singapore, Malaysia, Brunei, Hong Kong (models A1H A2H A3H A4H A5H A6H A7H A8H B6H D3H)	41R3224	1
Power cord - Taiwan (models A9V)	41R3278	1
Power cord - Italy (models)	41R3232	1
Power cord - Indonesia, Laos, Cambodia, Vietnam, Austria, Belgium, Croatia, Czechoslovakia, Finland, France, Germany, Hungary, Netherlands, Norway, Poland, Portugal, Romania, Spain, Sweden (models 91U 91F B5S B5Y B1A B2A B3A B4A B7S B7Y B8S B8Y B9S B9Y D1A D2A D4U D4F D5U D5F D6S D6Y D7S D7Y D8S D8Y D9S D9Y E1S E1Y E2S E2Y E3S E3Y)	41R3208	1
Power cord - Denmark (models 71G 72G 73G 74G 75G 76G 77G 78G 79G 7AG 7BG 7CG)	41R3212	1
Power cord - Switzerland (models 71G 72G 73G 74G 75G 76G 77G 78G 79G 7AG 7BG 7CG)	41R3228	1
Power cord - Israel (models 71G 72G 73G 74G 75G 76G 77G 78G 79G 7AG 7BG 7CG)	41R3236	1
Power cord - South Africa (models B1A B2A B3A B4A 71G 72G 73G 74G 75G 76G 77G 78G 79G 7AG D1A D2A 7BG 7CG)	41R3220	1
Power cord - India (models 91Q)	41R3341	1
Power cord - Thailand (models)	43N9029	1

7611 Power Cords (Secondary)	FRU#	CRU
Power cord - US (models 91U 91F B5S B5Y B1A B2A B3A B4A B7S B7Y B8S B8Y B9S B9Y D1A D2A D4U D4F D5U D5F D6S D6Y D7S D7Y D8S D8Y D9S D9Y E1S E1Y E2S E2Y E3S E3Y)	41R3185	1
Power cord - China (models 91C)	41R3257	1
Power Cord - Japanese and Japanese English (models)	41R3249	1
Power cord - Brazil (models)	41R3271	1
Power cord - LA High Volt (APU) (models)	41R3177	1
Power cord - Australia / New Zealand (models)	41R3197	1
Power cord - Korea (models)	41R3261	1
Power cord - UK, Ireland, Singapore, Malaysia, Brunei, Hong Kong (models A1H A2H A3H A4H A5H A6H A7H A8H B6H D3H)	41R3225	1
Power cord - Taiwan (models A9V)	41R3279	1
Power cord - Italy (models)	41R3233	1
Power cord - Indonesia, Laos, Cambodia, Vietnam, Austria, Belgium, Croatia, Czechoslovakia, Finland, France, Germany, Hungary, Netherlands, Norway, Poland, Portugal, Romania, Spain, Sweden (models 91U 91F B5S B5Y B1A B2A B3A B4A B7S B7Y B8S B8Y B9S B9Y D1A D2A D4U D4F D5U D5F D6S D6Y D7S D7Y D8S D8Y D9S D9Y E1S E1Y E2S E2Y E3S E3Y)	41R3209	1
Power cord - Denmark (models 71G 72G 73G 74G 75G 76G 77G 78G 79G 7AG 7BG 7CG)	41R3213	1
Power cord - Switzerland (models 71G 72G 73G 74G 75G 76G 77G 78G 79G 7AG 7BG 7CG)	41R3229	1

7611 Power Cords (Secondary)	FRU#	CRU
Power cord - Israel (models 71G 72G 73G 74G 75G 76G 77G 78G 79G 7AG 7BG 7CG)	41R3237	1
Power cord - South Africa (models B1A B2A B3A B4A 71G 72G 73G 74G 75G 76G 77G 78G 79G 7AG D1A D2A 7BG 7CG)	41R3221	1
Power cord - India (models 91Q)	41R3175	1
Power cord - Thailand (models)	43N9030	1
Power cord - Y cable for Brazil (models)	43N9044	1

7611 Windows XP Home Recovery CDs	FRU#	CRU
US English/UK/Asia Pacific (models)	TBD	1
French/French Canadian (models)	TBD	1
Greek (models)	TBD	1
Italy (models)	TBD	1
Brazilian (models)	TBD	1
Spanish/LA (models)	TBD	1
Danish (models)	TBD	1
Dutch (models)	TBD	1
Arabic (models)	TBD	1
Swedish (models)	TBD	1
Hebrew (models)	TBD	1
Finnish (models)	TBD	1
Norwegian (models)	TBD	1
Polish (models)	TBD	1
Portuguese (models)	TBD	1
Russian (models)	TBD	1
Russian English (models)	TBD	1
Hungarian (models)	TBD	1
Czech (models)	TBD	1
Turkish native (models)	TBD	1
Greek (models)	TBD	1
Japanese (models)	TBD	1
Simplified Chinese (models)	TBD	1
Taiwan-TC (models)	TBD	1
Hong Kong-TC (models)	TBD	1
Korean (models)	TBD	1

7611 Windows XP Pro Recovery CDs	FRU#	CRU
Hebrew (models 71G 73G 75G 78G 79G 7BG 7GG 7HG 7JG)	71Y7506	1
Portuguese (models 71G 73G 75G 78G 79G 7BG 7GG 7HG 7JG)	71Y7514	1
Russian English (models 71G 73G 75G 78G 79G 7BG 7GG 7HG 7JG)	71Y7510	1
Hungarian (models 71G 73G 75G 78G 79G 7BG 7GG 7HG 7JG)	71Y7512	1
Slovenian (models 71G 73G 75G 78G 79G 7BG 7GG 7HG 7JG)	71Y7515	1

7611 Windows XP Pro Recovery CDs	FRU#	CRU
Korea (models)	71Y7519	1
US English (models 91U 91M 91Q B1A B2A B3A 71G 73G 75G 78G 79G 7BG 7GG 7HG 7JG)	71Y7493	1
French (models 91F 71G 73G 75G 78G 79G 7BG 7GG 7HG 7JG)	71Y7494	1
German (models 71G 73G 75G 78G 79G 7BG 7GG 7HG 7JG)	71Y7495	1
Italian (models)	71Y7498	1
Brazilian Portuguese (models 71G 73G 75G 78G 79G 7BG 7GG 7HG 7JG)	71Y7497	1
Spanish (models 71G 73G 75G 78G 79G 7BG 7GG 7HG 7JG)	71Y7496	1
Danish (models 71G 73G 75G 78G 79G 7BG 7GG 7HG 7JG)	71Y7502	1
Dutch (models 71G 73G 75G 78G 79G 7BG 7GG 7HG 7JG)	71Y7503	1
Arabic (models 71G 73G 75G 78G 79G 7BG 7GG 7HG 7JG)	71Y7508	1
Swedish (models 71G 73G 75G 78G 79G 7BG 7GG 7HG 7JG)	71Y7501	1
Finnish (models 71G 73G 75G 78G 79G 7BG 7GG 7HG 7JG)	71Y7505	1
Norwegian (models 71G 73G 75G 78G 79G 7BG 7GG 7HG 7JG)	71Y7500	1
Polish (models 71G 73G 75G 78G 79G 7BG 7GG 7HG 7JG)	71Y7507	1
Russian (models 71G 73G 75G 78G 79G 7BG 7GG 7HG 7JG)	71Y7509	1
Czech (models 71G 73G 75G 78G 79G 7BG 7GG 7HG 7JG)	71Y7504	1
Turkish (models 71G 73G 75G 78G 79G 7BG 7GG 7HG 7JG)	71Y7511	1
Greek (models 71G 73G 75G 78G 79G 7BG 7GG 7HG 7JG)	71Y7513	1
Japanese (models)	71Y7499	1
Simplified Chinese (models 91C)	71Y7516	1
Traditional Chinese (models)	71Y7517	1
Hong Kong (models)	71Y7518	1
MUI Nordics (EN-DK-FI-NO-SV) (models 71G 73G 75G 78G 79G 7BG 7GG 7HG 7JG)	71Y7520	1
MUI Switz (US EN-FR -GR-IT) (models 91U 91F 91M 91Q B1A B2A B3A 71G 71G 73G 73G 75G 75G 78G 78G 79G 79G 7BG 7BG 7GG 7GG 7HG 7HG 7JG 7JG)	71Y7521	1
MUI Bel-Lux (EN-FR-GR-NL) (models 91U 91F 91M 91Q B1A B2A B3A 71G 71G 73G 73G 75G 75G 78G 78G 79G 79G 7BG 7BG 7GG 7GG 7HG 7HG 7JG 7JG)	71Y7522	1

7611 Vista Home Basic 32 Recovery DVDs	FRU#	CRU
US English (models)	64Y8594	1
French (models)	64Y8596	1
German (models)	64Y8597	1
Spanish (models)	64Y8598	1
Brazilian (models)	64Y8599	1
Italian (models)	64Y8600	1
Dutch (models)	64Y8614	1
Czech (models)	64Y8601	1
Polish (models)	64Y8602	1
Russian (models)	64Y8603	1
Turkish (models)	64Y8604	1
Hungarian (models)	64Y8605	1

7611 Vista Home Basic 32 Recovery DVDs	FRU#	CRU
Greek (models)	64Y8606	1
Portuguese (models)	64Y8617	1
Simplified Chinese (models)	64Y8608	1
Hong Kong (models)	64Y8610	1
Traditional Chinese (models)	64Y8609	1
Korean (models)	64Y8611	1
Slovenian (models)	64Y8612	1
Russian English (models)	64Y8595	1
Hebrew (models)	64Y8615	1
Arabic Localized (models)	64Y8613	1
Slovakian (models)	64Y8619	1
Romanian (models)	64Y8616	1
Serbian-Latin (models)	64Y8618	1
C&L 1 Nordics (EN DK FI NO SV) (models)	64Y8620	1
C&L 2 Switzerland (EN FR GR IT) (models)	64Y8621	1
C&L 3 Bel Lux (EN FR GR NL) (models)	64Y8622	1
Japanese (models)	64Y8607	1

7611 Vista Business 32 Recovery DVDs	FRU#	CRU
US English (models A1H A2H A3H A4H A5H A6H A7H A8H B6H B1A B2A B3A 71G 73G 75G 78G 79G D3H 7BG)	64Y8565	1
French (models 71G 73G 75G 78G 79G 7BG)	64Y8567	1
German (models 71G 73G 75G 78G 79G 7BG)	64Y8568	1
Spanish (models 71G 73G 75G 78G 79G 7BG)	64Y8569	1
Brazilian Portuguese (models)	64Y8570	1
Italian (models 71G 73G 75G 78G 79G 7BG)	64Y8571	1
Japanese (models)	64Y8578	1
Dutch (models 71G 73G 75G 78G 79G 7BG)	64Y8585	1
Czech (models)	64Y8572	1
Polish (models 71G 73G 75G 78G 79G 7BG)	64Y8573	1
Russian (models 71G 73G 75G 78G 79G 7BG)	64Y8574	1
Turkish (models 71G 73G 75G 78G 79G 7BG)	64Y8575	1
Hungarian (models 71G 73G 75G 78G 79G 7BG)	64Y8576	1
Greek (models 71G 73G 75G 78G 79G 7BG)	64Y8577	1
Portuguese (models)	64Y8588	1
Simplified Chinese (models)	64Y8579	1
Traditional Chinese (models)	64Y8580	1
Hong Kong (models)	64Y8581	1
Korean (models)	64Y8582	1
Slovenian (models 71G 73G 75G 78G 79G 7BG)	64Y8583	1
Russian English (models 71G 73G 75G 78G 79G 7BG)	64Y8566	1

7611 Vista Business 32 Recovery DVDs	FRU#	CRU
Romanian (models 71G 73G 75G 78G 79G 7BG)	64Y8587	1
Serbian-Latin (models 71G 73G 75G 78G 79G 7BG)	64Y8589	1
Slovakian (models 71G 73G 75G 78G 79G 7BG)	64Y8590	1
Arabic Localized (models 71G 73G 75G 78G 79G 7BG)	64Y8584	1
Hebrew (models 71G 73G 75G 78G 79G 7BG)	64Y8586	1
C&L 1 Nordics (EN DK FI NO SV) (models)	64Y8591	1
C&L 2 Switzerland (EN FR GR IT) (models)	64Y8592	1
C&L 3 Bel Lux (EN FR GR NL) (models)	64Y8593	1

7611 Vista Home Premium 32 Recovery DVDs	FRU#	CRU
US English (models)	64Y8623	1
French (models)	64Y8624	1
German (models)	64Y8625	1
Spanish (models)	64Y8626	1
Italian (models)	64Y8628	1
Japanese (models)	64Y8629	1
Hong Kong (models)	64Y8630	1
Korean (models)	64Y8627	1
C&L 1 Nordics (EN DK FI NO SV) (models)	64Y8631	1
C&L 2 Switzerland (EN FR GR IT) (models)	64Y8632	1
C&L 3 Bel Lux (EN FR GR NL) (models)	64Y8633	1

7611 Vista Business 64 Recovery DVDs	FRU#	CRU
US English (models)	64Y8643	1
French (models)	64Y8644	1
German (models)	64Y8645	1
Japanese (models)	64Y8646	1
Simplified Chinese (models)	64Y8647	1

7611 Vista Ultimate 32 Recovery DVDs	FRU#	CRU
US English (models)	64Y8634	1
Japanese (models)	64Y8635	1
French (models)	64Y8636	1
German (models)	64Y8637	1
Spanish (models)	64Y8638	1
Italian (models)	64Y8639	1
Hong Kong - Traditional Chinese (models)	64Y8640	1
Arabic localized (models)	64Y8641	1
C&L 1 Nordics (EN DK FI NO SV) (models)	64Y8642	1

7611 Vista Starter 32 Recovery DVDs	FRU#	CRU
English (models)	TBD	1

7611 Windows 7 Home Basic 32 Recovery DVDs	FRU#	CRU
Arabic (models)	71Y7549	1
India English (models)	71Y8655	1
Russian English (models)	71Y7550	1
Russian (models)	71Y7551	1
Spanish (models)	71Y7552	1
Serbian-Latin (models)	71Y7553	1
Turkish (models)	71Y7554	1
English (models)	71Y7555	1

7611 Windows 7 Home Premium 32 Recovery DVDs	FRU#	CRU
Traditional Chinese (models)	71Y7556	1
India English (models)	71Y8656	1
French (models)	71Y7557	1
Hong Kong (models)	71Y7558	1
Italian (models)	71Y7559	1
Japan (models)	71Y7560	1
Korean (models)	71Y7561	1
Spanish (models)	71Y7562	1
English (models)	71Y7563	1
C&L Bel Lux (EN FR GR NL) (models)	71Y7564	1
C&L Nordics (EN DK FI NO SV) (models)	71Y7565	1
C&L Switzerland (EN FR GR IT) (models)	71Y7566	1

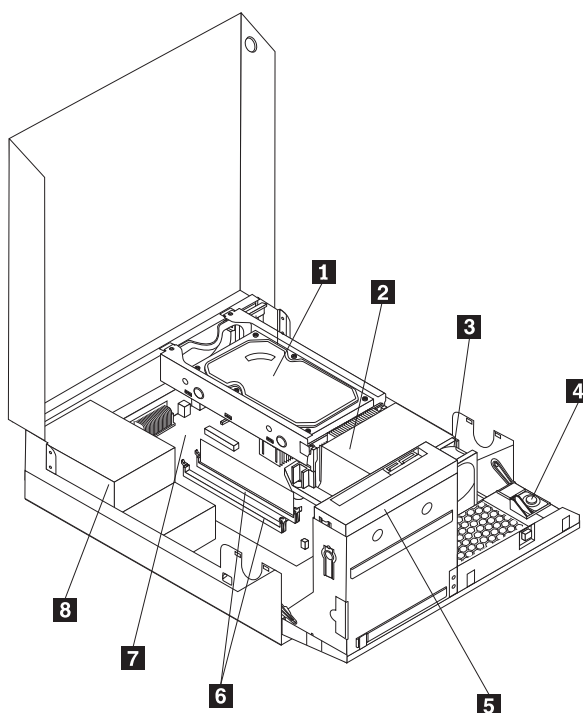
7611 Windows 7 Professional 32 Recovery DVDs	FRU#	CRU
Arabic (models)	71Y7523	1
Traditional Chinese (models)	71Y7524	1
Czech (models)	71Y7525	1
India English (models)	71Y8654	1
French (models L2F K5F)	71Y7526	1
Greek (models)	71Y7527	1
German (models)	71Y7528	1
Hebrew (models)	71Y7529	1
Hong Kong (models)	71Y7530	1
Hungarian (models)	71Y7531	1
Italian (models)	71Y7532	1
Japan (models)	71Y7533	1
Korean (models)	71Y7534	1
Polish (models)	71Y7535	1

7611 Windows 7 Professional 32 Recovery DVDs	FRU#	CRU
Portuguese (models)	71Y7536	1
Russian English (models)	71Y7537	1
Romanian (models)	71Y7538	1
Russian (models)	71Y7539	1
Slovakia (models)	71Y7540	1
Slovenian (models)	71Y7541	1
Spanish (models D6S D6D D6Y D7S D7D D7Y D8S D8D D8Y D9S D9D D9Y E1S E1D E1Y E2S E2D E2Y E3S E3D E3Y)	71Y7542	1
Serbian-Latin (models)	71Y7543	1
Turkish (models)	71Y7544	1
English (models)	71Y7545	1
C&L Bel Lux (EN FR GR NL) (models)	71Y7546	1
C&L Nordics (EN DK FI NO SV) (models)	71Y7547	1
C&L Switzerland (EN FR GR IT) (models)	71Y7548	1

7611 Windows 7 Professional 64 Recovery DVDs	FRU#	CRU
Traditional Chinese (models)	71Y7574	1
India English (models)	71Y8658	1
French (models)	71Y7575	1
German (models)	71Y7576	1
Hong Kong (models)	71Y7577	1
Italian (models)	71Y7578	1
Japan (models)	71Y7579	1
Spanish (models)	71Y7580	1
English (models)	71Y7581	1
C&L Bel Lux (EN FR GR NL) (models)	71Y7582	1
C&L Nordics (EN DK FI NO SV) (models)	71Y7583	1
C&L Switzerland (EN FR GR IT) (models)	71Y7584	1

7611 Windows 7 Starter Recovery DVDs	FRU#	CRU
Arabic (models)	71Y7567	1
India English (models)	71Y8657	1
Russian English (models)	71Y7568	1
Russian (models)	71Y7569	1
Spanish (models)	71Y7570	1
Serbian-Latin (models)	71Y7571	1
Turkish (models)	71Y7572	1
English (models)	71Y7573	1

Machine type 7705



Item#	7705 FRUs	FRU#	CRU
1	Hard disk drive, SATA 160GB 7200RPM/3Gb/8MB (models A4S A4Y 77G 78G A7U A7F A8U A8F A9U A9F B4U B4F)	40Y9035	1
1	Hard disk drive, SATA 250GB 7200RPM/3Gb/8MB (models A5H A6H B2H B1A B3U B3F)	40Y9036	1
1	Hard disk drive, SATA 320GB 7200rpm SATA/8MB (models A1H A2H 71G 73G 74G 75G 76G 79G 7AG 7BG 7CG 7DG)	87H4891	1
1	Hard disk drive, SATA 500GB 7200RPM/3Gb/s/8MB (models)	41X5582	1
1	Hard disk drive, 1TB 7200rpm SATA (models)	45C5973	1
1	Hard disk drive, SATA 160 GB 7200RPM/3GB/8MB - optional (models)	53Y6837	1
1	Hard disk drive, SATA 250 GB 7200RPM/3GB/8MB - optional (models)	45K0408	1
1	Hard disk drive, SATA 320 GB 7200RPM SATA/8MB - optional (models)	45K0409	1
1	Hard disk drive, SATA 500 GB 7200RPM/3GB/s/8MB - optional (models)	45K0410	1
1	Hard disk drive, 1 TB 7200RPM SATA - optional (models)	45K0412	1
1	Hard disk drive, 150 GB 10K RPM, SATA (models)	46R6400	1
2	Microprocessor, E7400 2.8GHZ 1066M 3M R0 (ViiV, EIST, EM64T, EDB) 65W (models 71G 73G A8U A8F)	53Y6653	N
2	Microprocessor, E7500 2.93GHZ 1066M 3M R0 (ViiV, EIST, EM64T, EDB) 65W (models A1H B2H B1A 7AG 7BG B3U B3F)	53Y6654	N
2	Microprocessor, E5300 2.6GHz 800MHz 2MB R0 (EIST, EM64T, EDB) 65W (models A2H 7CG 7DG B4U B4F)	53Y9049	N
2	Microprocessor, E1500 2.2GHz 800MHz 512KB (EIST, EM64T, EDB) M0 65W (models)	53Y9051	N
2	Microprocessor, Q8300 Yorkfield 2.5GHZ, 1333MHz, 4M R-0 (ViiV, EIST, EM64T, EDB) 95W (models)	53Y6656	N

Item#	7705 FRUs	FRU#	CRU
2	Microprocessor, E8600 3.33GHZ/1333MHZ/6M E0 65W (models)	46R8640	N
2	Microprocessor, E8500 3.16GHZ 1333MHZ FSB 6M C-0 65W (models)	45C7735	N
2	Microprocessor, E8400 3.0GHZ 1333MHZ FSB 6M C-0 65W (models 75G 76G A9U A9F)	45C7736	N
2	Microprocessor, E8300 2.83GHZ 1333MHZ FSB 6M C-0 65W (models)	45C7737	N
2	Microprocessor, E7200 2.53GHZ 1066MHZ FSB 3M M-0 65W (models)	45R8337	N
2	Microprocessor, E7300 2.66GHZ 1066MHZ FSB 3M M-0 65W (models)	46R1622	N
2	Microprocessor, E2200 Conroe-L 2.2GHZ 800MHZ FSB 1M (models)	45C5349	N
2	Microprocessor, E2220 Conroe-L 2.4GHZ 800MHZ FSB 1M (models)	45C1774	N
2	Microprocessor, E5200 2.5G 800MHZ 2M M-0 65W, 45nm (models A5H A6H A4S A4Y 74G 79G A7U A7F)	46R9512	N
2	Microprocessor, E1600 2.4GHZ/800MHZ/512K - NPI M-0 65W (models)	46R1655	N
2	Microprocessor, E1400 2.0GHZ 800MHZ FSB 512K - NPI M-0 65W (models 77G 78G)	45R8339	N
2	Microprocessor, Cel-440 Conroe-L 2.0GHZ 800MHZ FSB 512K (models)	43C1965	N
2	Microprocessor, Cel-450 2.2GHZ 800MHZ FSB 512K 35W (models)	46R9514	N
2	Microprocessor, Q9650 3.0GHZ 1333FSB 12MB VT, TXT E-0 95W (models)	46R8642	N
2	Microprocessor, Q9400 2.66GHZ 1333FSB 6MB VT, TXT R-0 95W (models)	46R8644	N
2	Microprocessor, Q8200 2.33GHZ 1333FSB 4M M-1 95W (models)	46R9516	N
2	Microprocessor, Q9550 2.83GHZ 1333FSB 12M C-1 95W (models)	45C7739	N
2	Microprocessor, Q9450 Yorkfield 2.66GHZ 1333FSB 12M C-1 95W (models)	45C7740	N
2	Microprocessor, Q9300 Yorkfield 2.50GHZ 1333FSB 6M M-1 95W (models)	45C7741	N
2	Microprocessor, E5400 2.7G 800MHZ-2MB 65W Non-vPro SKU (models)	64Y1075	N
2	Microprocessor, E7600 3.06GHZ 1066M 3M 65W (models)	71Y3486	N
2	Microprocessor, Q8400 2.66GHZ,1333MHZ,4M 95W (models)	71Y3488	N
2	Microprocessor, E6300 2.8G 1066MHZ-2MB 65W (models)	71Y3484	N
2	Microprocessor, E6500 2.93GHZ 1066 MHz-2MB 65W R0 (models)	71Y6250	N
2	Microprocessor, E3300 2.5GHZ 800 MHz-1MB 65W R0 (models)	71Y6252	N
2	Microprocessor, E3200 2.4GHZ 800 MHz-1MB 65W R0 (models)	71Y6251	N
3	95W heat sink kit with RM (all models)	41R6454	2
3	65W heat sink kit with RM (all models)	43N9349	2
3	95W heat sink kit with RM (all models)	43N9874	2
3	65W heat sink kit with RM (all models)	43N9877	2
4	Internal speaker 254 mm - optional (all models)	39K5012	2
5	Optical drive, DVD-ROM Drive - 16x/48x - SATA - for Windows 7 (models A2H A7U A7F)	71Y5543	1
5	Optical drive, DVD Recordable Rambo 8 - SATA 12XRAM Write - for Windows 7 (models A1H A5H A6H A4S A4Y 71G 73G 74G 75G 76G 77G 78G 79G A8U A8F A9U A9F B2H B1A 7AG 7BG 7CG 7DG B3U B3F B4U B4F)	71Y5545	1
6	Memory module, 512MB PC2-5300 (667MHz) DDR2 SDRAM (models)	41X4255	1
6	Memory module, 1GB PC2-5300 (667MHz) DDR2 SDRAM (models)	41X4256	1
6	Memory module, 2GB PC2-5300 (667MHz) DDR2 SDRAM (models)	41X4257	1

Item#	7705 FRUs	FRU#	CRU
6	Memory module, 512MB PC2-6400 (800MHz) DDR2 SDRAM (models)	41X1079	1
6	Memory module, 1GB PC2-6400 (667MHz) DDR2 SDRAM (models A2H A5H A4S A4Y B1A)	41X1080	1
6	Memory module, 2GB PC2-6400 (667MHz) DDR2 SDRAM (models A1H A6H 71G 73G 74G 75G 76G 77G 78G 79G A7U A7F A8U A8F A9U A9F B2H 7AG 7BG 7CG 7DG B3U B3F B4U B4F)	41X1081	1
7	System board, Intel G41 BTX(GA) non-AMT (models A1H A2H A5H A6H A4S A4Y 71G 73G 74G 75G 76G 77G 78G 79G A7U A7F A8U A8F A9U A9F B2H B1A 7AG 7BG 7CG 7DG B3U B3F B4U B4F)	46R8892	N
7	System board, Intel G41 BTX (GA) - NB upgrade (models A1H A2H A5H A6H A4S A4Y 71G 73G 74G 75G 76G 77G 78G 79G A7U A7F A8U A8F A9U A9F B2H B1A 7AG 7BG 7CG 7DG B3U B3F B4U B4F)	64Y9198	N
7	System board, Intel G41 BTX - EuP and TCM header (models)	71Y6839	N
8	Power supply, 280W Active PFC power supply (Auto sensing) for 10L---Robust, ww, JP (models A1H A2H A5H A6H A4S A4Y 71G 73G 74G 75G 76G 77G 78G 79G A7U A7F A8U A8F A9U A9F B2H B1A 7AG 7BG 7CG 7DG B3U B3F B4U B4F)	41A9701	N
8	Power supply, 280W 85+ power supply for 10L---Robust, ww, JP (models A1H A2H A5H A6H A4S A4Y 71G 73G 74G 75G 76G 77G 78G 79G A7U A7F A8U A8F A9U A9F B2H B1A 7AG 7BG 7CG 7DG B3U B3F B4U B4F)	41A9742	N
8	Power supply, 280W Active PFC power supply (auto-sensing) - all countries (models A1H A2H A5H A6H A4S A4Y 71G 73G 74G 75G 76G 77G 78G 79G A7U A7F A8U A8F A9U A9F B2H B1A 7AG 7BG 7CG 7DG B3U B3F B4U B4F)	45J9418	N
8	Power supply, 280W 85+ power supply - all countries (models A1H A2H A5H A6H A4S A4Y 71G 73G 74G 75G 76G 77G 78G 79G A7U A7F A8U A8F A9U A9F B2H B1A 7AG 7BG 7CG 7DG B3U B3F B4U B4F)	45J9423	N
8	Power supply, 280 watt Active PFC power supply, auto-sensing for 10L - Robust, WW, JP, for Eup (models A1H A2H A5H A6H A4S A4Y 71G 73G 74G 75G 76G 77G 78G 79G A7U A7F A8U A8F A9U A9F B2H B1A 7AG 7BG 7CG 7DG B3U B3F B4U B4F)	54Y8804	N

The FRUs listed in the following tables are not illustrated.

7705 FRUs	FRU#	CRU
Battery 3V - Lithium (models A1H A2H A5H A6H A4S A4Y 71G 73G 74G 75G 76G 77G 78G 79G A7U A7F A8U A8F A9U A9F B2H B1A 7AG 7BG 7CG 7DG B3U B3F B4U B4F)	45C1566	1
Cable - SATA 250 mm (RoHS) for 1st hard disk drive (all models)	43N9012	2
Cable - SATA 600 mm (RoHS) (all models)	45J9579	2
Cable - SATA 700 mm (RoHS) for optical drive / Second hard disk drive (all models)	43N9011	2
C2 intrusion switch 260 mm (all models)	43N9080	2
Rear I/O shield BTX (all models)	41R6381	N
Temp sense cable (165 mm) (all models)	43N9079	2
Air deflector, recycle resin (all models)	43N9610	2
Hard disk drive tray assembly (all models)	43N9595	1
Front cage assembly (all models)	43N9596	N
Front cage assembly (all models)	43N9647	N
Cable, Front I/O cable_R (10L_U380_A550)_ESD (all models)	45J9509	2

7705 FRUs	FRU#	CRU
Models with 3.5" convert 2.5" for 150 GB 10 K rpm hard disk drive (first HDD bay) (all models)	43N9645	2
3.5" convert 2.5" for 150 GB 10 K rpm hard disk drive (first HDD bay) (all models)	43N9593	2
Universal Adapter Bracket 5.25 to 3.5 (all models)	43N9676	2
Top cover assembly (all models)	43N9594	1
Cable, LED/Switch cable_R (10L_220 mm_PCBA) (all models)	45J9515	2
NO ODD, EMI shielding (all models)	43N9641	1
Card reader bezel (all models)	43N9642	1
Non-card reader bezel (all models)	43N9643	1
Card reader (all models)	45K6081	1
Vertical stand (all models)	43N9644	1
Front bezel assembly (all models)	43N9677	1
Chassis (all models)	43N9649	N
Rubber foot for vertical (all models)	43N9727	1
Rubber foot for horizontal (all models)	43N9728	1
Thermal grease (all models)	91P8835	N
Optical retainer (all models)	45K6364	1

7705 keyboards (Lenovo preferred Pro USB - without hub)	FRU#	CRU
USB FULL--US English (models A1H A2H A5H A6H 71G 73G 74G 75G 76G 77G 78G 79G A7U A8U A9U B2H B1A 7AG 7BG 7CG 7DG B3U B4U)	41A5289	1
USB FULL--Arabic (models 71G 73G 74G 75G 76G 77G 78G 79G 7AG 7BG 7CG 7DG)	41A5290	1
USB FULL--Arabic/French (models 71G 73G 74G 75G 76G 77G 78G 79G 7AG 7BG 7CG 7DG)	41A5291	1
USB FULL--Belgium French (models 71G 73G 74G 75G 76G 77G 78G 79G 7AG 7BG 7CG 7DG)	41A5292	1
USB FULL--Belgium English (models 71G 73G 74G 75G 76G 77G 78G 79G 7AG 7BG 7CG 7DG)	41A5293	1
USB FULL--Brazilian Portuguese (models)	41A5294	1
USB FULL--Bulgarian (models 71G 73G 74G 75G 76G 77G 78G 79G 7AG 7BG 7CG 7DG)	41A5295	1
USB FULL--Chinese/US (models)	41A5296	1
USB FULL--Czech (ABB) (models 71G 73G 74G 75G 76G 77G 78G 79G 7AG 7BG 7CG 7DG)	41A5297	1
USB FULL--Danish (models 71G 73G 74G 75G 76G 77G 78G 79G 7AG 7BG 7CG 7DG)	41A5298	1
USB FULL--Dutch (models 71G 73G 74G 75G 76G 77G 78G 79G 7AG 7BG 7CG 7DG)	41A5299	1
USB FULL--French (models 71G 73G 74G 75G 76G 77G 78G 79G 7AG 7BG 7CG 7DG)	41A5300	1
USB FULL--French Canadian (models 71G 73G 74G 75G 76G 77G 78G 79G A7F A8F A9F 7AG 7BG 7CG 7DG B3F B4F)	41A5301	1
USB FULL--French Canadian (models 71G 73G 74G 75G 76G 77G 78G 79G A7F A8F A9F 7AG 7BG 7CG 7DG B3F B4F)	41A5302	1
USB FULL--German (models 71G 73G 74G 75G 76G 77G 78G 79G 7AG 7BG 7CG 7DG)	41A5303	1
USB FULL--Greek (models 71G 73G 74G 75G 76G 77G 78G 79G 7AG 7BG 7CG 7DG)	41A5304	1
USB FULL--Greek/US (models 71G 73G 74G 75G 76G 77G 78G 79G 7AG 7BG 7CG 7DG)	41A5305	1

7705 keyboards (Lenovo preferred Pro USB - without hub)	FRU#	CRU
USB FULL--Hebrew (models 71G 73G 74G 75G 76G 77G 78G 79G 7AG 7BG 7CG 7DG)	41A5306	1
USB FULL--Hungarian (models 71G 73G 74G 75G 76G 77G 78G 79G 7AG 7BG 7CG 7DG)	41A5307	1
USB FULL--Iceland (models 71G 73G 74G 75G 76G 77G 78G 79G 7AG 7BG 7CG 7DG)	41A5308	1
USB FULL--Italy (models 71G 73G 74G 75G 76G 77G 78G 79G 7AG 7BG 7CG 7DG)	41A5309	1
USB FULL--Japanese (models)	41A5310	1
USB FULL--Korean (models)	41A5311	1
USB FULL--LA Spanish (models A4S A4Y)	41A5312	1
USB FULL--Norwegian (models 71G 73G 74G 75G 76G 77G 78G 79G 7AG 7BG 7CG 7DG)	41A5313	1
USB FULL--Polish (models 71G 73G 74G 75G 76G 77G 78G 79G 7AG 7BG 7CG 7DG)	41A5314	1
USB FULL--Portuguese (models 71G 73G 74G 75G 76G 77G 78G 79G 7AG 7BG 7CG 7DG)	41A5315	1
USB FULL--Romanian (models 71G 73G 74G 75G 76G 77G 78G 79G 7AG 7BG 7CG 7DG)	41A5317	1
USB FULL--Romanian (models 71G 73G 74G 75G 76G 77G 78G 79G 7AG 7BG 7CG 7DG)	41A5316	1
USB FULL--Russian/Cyrillic (models 71G 73G 74G 75G 76G 77G 78G 79G 7AG 7BG 7CG 7DG)	41A5318	1
USB FULL--Serbian/Cyrillic (models 71G 73G 74G 75G 76G 77G 78G 79G 7AG 7BG 7CG 7DG)	41A5319	1
USB FULL--Slovak (models 71G 73G 74G 75G 76G 77G 78G 79G 7AG 7BG 7CG 7DG)	41A5320	1
USB FULL--Spanish (models 71G 73G 74G 75G 76G 77G 78G 79G 7AG 7BG 7CG 7DG)	41A5321	1
USB FULL--Swedish/Finnish (models 71G 73G 74G 75G 76G 77G 78G 79G 7AG 7BG 7CG 7DG)	41A5322	1
USB FULL--Swiss French/German (models 71G 73G 74G 75G 76G 77G 78G 79G 7AG 7BG 7CG 7DG)	41A5323	1
USB FULL--Thailand (models)	41A5324	1
USB FULL--Turkish (models 71G 73G 74G 75G 76G 77G 78G 79G 7AG 7BG 7CG 7DG)	41A5325	1
USB FULL--Turkish (models 71G 73G 74G 75G 76G 77G 78G 79G 7AG 7BG 7CG 7DG)	41A5326	1
USB FULL --UK English (models 71G 73G 74G 75G 76G 77G 78G 79G 7AG 7BG 7CG 7DG)	41A5327	1
USB FULL--US Euro (models 71G 73G 74G 75G 76G 77G 78G 79G 7AG 7BG 7CG 7DG)	41A5328	1
USB FULL--Slovenian (models 71G 73G 74G 75G 76G 77G 78G 79G 7AG 7BG 7CG 7DG)	41A5329	1
USB FULL--Arabic (New) (models 71G 73G 74G 75G 76G 77G 78G 79G 7AG 7BG 7CG 7DG)	45J4880	1
USB FULL--Lithuanian (models 71G 73G 74G 75G 76G 77G 78G 79G 7AG 7BG 7CG 7DG)	45J4896	1
USB FULL--Estonia (models)	51J0059	1

7705 keyboards (Lenovo fingerprint reader USB)	FRU#	CRU
US English (models)	41R0038	1
Arabic (models)	41R0039	1
Arabic/French (models)	41R0040	1
Belgium French (models)	41R0041	1
Belgium English (models)	41R0042	1
Brazilian Portuguese (models)	41R0043	1
Bulgarian (models)	41R0044	1

7705 keyboards (Lenovo fingerprint reader USB)	FRU#	CRU
Chinese/US (models)	41R0045	1
Czech (ABB) (models)	41R0046	1
Danish (models)	41R0047	1
Dutch (models)	41R0048	1
French (models)	41R0049	1
French Canadian (models)	41R0050	1
French Canadian (models)	41R0051	1
German (models)	41R0052	1
Greek (models)	41R0053	1
Greek/US (models)	41R0054	1
Hebrew (models)	41R0055	1
Hungarian (models)	41R0056	1
Iceland (models)	41R0057	1
Italian (models)	41R0058	1
Japanese (models)	41R0059	1
Korean (models)	41R0060	1
LA Spanish (models)	41R0061	1
Norwegian (models)	41R0062	1
Polish (models)	41R0063	1
Portuguese (models)	41R0064	1
Romanian (models)	41R0065	1
Romanian (models)	41R0066	1
Russian/Cyrillic (models)	41R0067	1
Serbian/Cyrillic (models)	41R0068	1
Slovak (models)	41R0069	1
Spanish (models)	41R0070	1
Swedish/Finnish (models)	41R0071	1
Swiss French/German (models)	41R0072	1
Thailand (models)	41R0073	1
Turkish (models)	41R0074	1
Turkish (models)	41R0075	1
UK English (models)	41R0076	1
US Euro (models)	41R0077	1
Slovenian (models)	41R0078	1

7705 keyboards (Lenovo preferred Pro PS/2 Full Size)	FRU#	CRU
US English (models)	41A5039	1
Arabic (models)	41A5040	1
Arabic (New) (models)	45J4880	1
Arabic French (models)	41A5041	1
Belgium French (models)	41A5042	1

7705 keyboards (Lenovo preferred Pro PS/2 Full Size)	FRU#	CRU
Belgium English (models)	41A5043	1
Brazilian Portuguese (models)	41A5044	1
Bulgarian (models)	41A5045	1
Chinese/US (models)	41A5046	1
Czech (ABB) (models)	41A5047	1
Danish (models)	41A5048	1
Dutch (models)	41A5049	1
French (models)	41A5050	1
French Canadian (models)	41A5051	1
French Canadian (models)	41A5052	1
German (models)	41A5053	1
Greek (models)	41A5054	1
Greek/US (models)	41A5080	1
Hebrew (models)	41A5055	1
Hungarian (models)	41A5056	1
Iceland (models)	41A5057	1
Italian (models)	41A5058	1
Japanese (models)	41A5059	1
Korean (models)	41A5060	1
LA Spanish (models)	41A5061	1
Norwegian (models)	41A5062	1
Polish (models)	41A5063	1
Portuguese (models)	41A5064	1
Romanian (models)	41A5065	1
Russian/Cyrillic (models)	41A5066	1
Serbian/Cyrillic (models)	41A5067	1
Slovak (models)	41A5068	1
Spanish (models)	41A5069	1
Swedish/Finnish (models)	41A5070	1
Swiss French/German (models)	41A5071	1
Thailand (models)	41A5072	1
Turkish (models)	41A5073	1
Turkish (models)	41A5074	1
UK English (models)	41A5075	1
US Euro (models)	41A5076	1
Slovenian (models)	41A5077	1

7705 mice	FRU#	CRU
Optical Wheel Mouse OPT (400DPI, USB) (models A1H A2H A5H A6H A4S A4Y 71G 73G 74G 75G 76G 77G 78G 79G A7U A7F A8U A8F A9U A9F B2H B1A 7AG 7BG 7CG 7DG B3U B3F B4U B4F)	41U3013	1

7705 mice	FRU#	CRU
Optical Wheel Mouse OPT (400DPI, USB) (models A1H A2H A5H A6H A4S A4Y 71G 73G 74G 75G 76G 77G 78G 79G A7U A7F A8U A8F A9U A9F B2H B1A 7AG 7BG 7CG 7DG B3U B3F B4U B4F)	41U3030	1

7705 adapters and miscellaneous FRUs	FRU#	CRU
Internal 25 in 1 USB Memory Card Reader Slim (models)	46R1529	1
IEEE 1394 Firewire Adapter (models)	41D2781	1
Soft Modem V.90/V.44 (models)	46R4220	1
Speaker power brick - US, Canada, LA low voltage, ASEAN (models A7U A8U A9U B3U B4U)	89P8571	1
Speaker power brick - LA high voltage (non-APU) (models)	89P8575	1
Speaker power brick - Simplified Chinese, Thailand EMEA (models 71G 73G 74G 75G 76G 77G 78G 79G 7AG 7BG 7CG 7DG)	89P8581	1
Speaker power brick - Japanese (models)	89P8577	1
Speaker power brick - Brazil (models)	89P8583	1
Speaker power brick - Argentina (models)	41A4901	1
Speaker power brick - ANZ (models 91M)	89P8579	1
Speaker power brick - Korea (models)	41A4903	1
Speaker power brick - Hong Kong, EMEA, Ireland (models 71G 73G 74G 75G 76G 77G 78G 79G 7AG 7BG 7CG 7DG)	89P8573	1
Speaker power brick -Taiwan-Traditional Chinese (models 91V)	41A4905	1
Speaker power brick - India, South Africa (models 91Q)	89P8585	1
2-pc external speaker--primary (models)	41A5331	1
2-pc external speaker-secondary (models)	41A5334	1
DVI-I(M)-VGA(F) cord (models)	41R3342	1
ATI HD3470 GDDR3 256MB - VGA+DP (models)	46R1521	1
ADD2 DVI-D Adapter, (HDCP) DVD-D connection Adapter Low Profile (Silicon Image) (models 71G 73G)	43C0258	1
DisplayPort to DVI-D Dongle (models)	43N9160	1
DisplayPort to VGA Dongle (models)	45J9524	1
Modem phone cable (models)	39K5120	1
LI140mm Rear Com2 cable II mini® (models)	43N9062	2
Rear USB 2 Ports II LP® 350 mm (models)	43N9124	2
NVIDIA G100 DDR2 256MB LP - DVI-I (With DVI-I to VGA Dongle) (models CTO)	53Y9341	1

7705 Power Cords (Primary)	FRU#	CRU
Power cord - US (models A4S A4Y A7U A7F A8U A8F A9U A9F B1A B3U B3F B4U B4F)	41R3184	1
Power cord - China (models 91C)	41R3256	1
Power cord - Japanese and Japanese English (models)	41R3248	1
Power cord - Brazil (models)	41R3270	1
Power cord - Brazil - optional (models)	45J9595	1
Power cord - LA High Volt (APU) (models)	41R3176	1

7705 Power Cords (Primary)	FRU#	CRU
Power cord - Australia / New Zealand (models)	41R3196	1
Power cord - Korea (models)	41R3260	1
Power cord - UK, Ireland, Singapore, Malaysia, Brunei, Hong Kong (models A1H A2H A5H A6H B2H)	41R3224	1
Power cord - Taiwan (models 91V)	41R3278	1
Power cord - Italy (models)	41R3232	1
Power cord - Indonesia, Laos, Cambodia, Vietnam, Austria, Belgium, Croatia, Czechoslovakia, Finland, France, Germany, Hungary, Netherlands, Norway, Poland, Portugal, Romania, Spain, Sweden (models A4S A4Y A7U A7F A8U A8F A9U A9F B1A B3U B3F B4U B4F)	41R3208	1
Power cord - Denmark (models 71G 73G 74G 75G 76G 77G 78G 79G 7AG 7BG 7CG 7DG)	41R3212	1
Power cord - Switzerland (models 71G 73G 74G 75G 76G 77G 78G 79G 7AG 7BG 7CG 7DG)	41R3228	1
Power cord - Israel (models 71G 73G 74G 75G 76G 77G 78G 79G 7AG 7BG 7CG 7DG)	41R3236	1
Power cord - South Africa (models 91M 91A 71G 73G 74G 75G 76G 77G 78G 79G B1A 7AG 7BG 7CG 7DG)	41R3220	1
Power cord - India (models)	41R3341	1
Power cord - Thailand (models)	43N9029	1

7705 Power Cords (Secondary)	FRU#	CRU
Power cord - US (models A4S A4Y A7U A7F A8U A8F A9U A9F B1A B3U B3F B4U B4F)	41R3185	1
Power cord - China (models 91C)	41R3257	1
Power Cord - Japanese and Japanese English (models)	41R3249	1
Power cord - Brazil (models)	41R3271	1
Power cord - LA High Volt (APU) (models)	41R3177	1
Power cord - Australia / New Zealand (models)	41R3197	1
Power cord - Korea (models)	41R3261	1
Power cord - UK, Ireland, Singapore, Malaysia, Brunei, Hong Kong (models A1H A2H A5H A6H B2H)	41R3225	1
Power cord - Taiwan (models 91V)	41R3279	1
Power cord - Italy (models)	41R3233	1
Power cord - Indonesia, Laos, Cambodia, Vietnam, Austria, Belgium, Croatia, Czechoslovakia, Finland, France, Germany, Hungary, Netherlands, Norway, Poland, Portugal, Romania, Spain, Sweden (models A4S A4Y A7U A7F A8U A8F A9U A9F B1A B3U B3F B4U B4F)	41R3209	1
Power cord - Denmark (models 71G 73G 74G 75G 76G 77G 78G 79G 7AG 7BG 7CG 7DG)	41R3213	1
Power cord - Switzerland (models 71G 73G 74G 75G 76G 77G 78G 79G 7AG 7BG 7CG 7DG)	41R3229	1
Power cord - Israel (models 71G 73G 74G 75G 76G 77G 78G 79G 7AG 7BG 7CG 7DG)	41R3237	1
Power cord - South Africa (models 91M 91A 71G 73G 74G 75G 76G 77G 78G 79G B1A 7AG 7BG 7CG 7DG)	41R3221	1
Power cord - India (models)	41R3175	1
Power cord - Thailand (models)	43N9030	1
Power cord - Y cable for Brazil (models)	43N9044	1

7705 Windows XP Home Recovery CDs	FRU#	CRU
US English/UK/Asia Pacific (models)	TBD	1
French/French Canadian (models)	TBD	1
Greek (models)	TBD	1
Italy (models)	TBD	1
Brazilian (models)	TBD	1
Spanish/LA (models)	TBD	1
Danish (models)	TBD	1
Dutch (models)	TBD	1
Arabic (models)	TBD	1
Swedish (models)	TBD	1
Hebrew (models)	TBD	1
Finnish (models)	TBD	1
Norwegian (models)	TBD	1
Polish (models)	TBD	1
Portuguese (models)	TBD	1
Russian (models)	TBD	1
Russian English (models)	TBD	1
Hungarian (models)	TBD	1
Czech (models)	TBD	1
Turkish native (models)	TBD	1
Greek (models)	TBD	1
Japanese (models)	TBD	1
Simplified Chinese (models)	TBD	1
Taiwan-TC (models)	TBD	1
Hong Kong-TC (models)	TBD	1
Korean (models)	TBD	1

7705 Windows XP Pro Recovery Discs	FRU#	CRU
Hebrew (models 73G 74G 76G 78G 7BG 7DG)	71Y7506	1
Portuguese (models 73G 74G 76G 78G 7BG 7DG)	71Y7514	1
Russian English (models 73G 74G 76G 78G 7BG 7DG)	71Y7510	1
Hungarian (models 73G 74G 76G 78G 7BG 7DG)	71Y7512	1
Slovenian (models 73G 74G 76G 78G 7BG 7DG)	71Y7515	1
Korea (models)	71Y7519	1
US English (models 73G 74G 76G 78G B1A 7BG 7DG B3U B4U)	71Y7493	1
French (models 73G 74G 76G 78G 7BG 7DG B3F B4F)	71Y7494	1
German (models 73G 74G 76G 78G 7BG 7DG)	71Y7495	1
Italian (models)	71Y7498	1
Brazilian Portuguese (models 73G 74G 76G 78G 7BG 7DG)	71Y7497	1
Spanish (models 73G 74G 76G 78G 7BG 7DG)	71Y7496	1
Danish (models 73G 74G 76G 78G 7BG 7DG)	71Y7502	1

7705 Windows XP Pro Recovery Discs	FRU#	CRU
Dutch (models 73G 74G 76G 78G 7BG 7DG)	71Y7503	1
Arabic (models 73G 74G 76G 78G 7BG 7DG)	71Y7508	1
Swedish (models 73G 74G 76G 78G 7BG 7DG)	71Y7501	1
Finnish (models 73G 74G 76G 78G 7BG 7DG)	71Y7505	1
Norwegian (models 73G 74G 76G 78G 7BG 7DG)	71Y7500	1
Polish (models 73G 74G 76G 78G 7BG 7DG)	71Y7507	1
Russian (models 73G 74G 76G 78G 7BG 7DG)	71Y7509	1
Czech (models 73G 74G 76G 78G 7BG 7DG)	71Y7504	1
Turkish (models 73G 74G 76G 78G 7BG 7DG)	71Y7511	1
Greek (models 73G 74G 76G 78G 7BG 7DG)	71Y7513	1
Japanese (models)	71Y7499	1
Simplified Chinese (models)	71Y7516	1
Traditional Chinese (models)	71Y7517	1
Hong Kong (models)	71Y7518	1
MUI Nordics (EN-DK-FI-NO-SV) (models 73G 74G 76G 78G 7BG 7DG)	71Y7520	1
MUI Switz (US EN-FR -GR-IT) (models 73G 73G 74G 74G 76G 76G 78G 78G B1A 7BG 7BG 7DG 7DG B3U B3F B4U B4F)	71Y7521	1
MUI Bel-Lux (EN-FR-GR-NL) (models 73G 73G 74G 74G 76G 76G 78G 78G B1A 7BG 7BG 7DG 7DG B3U B3F B4U B4F)	71Y7522	1

7705 Vista Home Basic 32 Recovery DVDs	FRU#	CRU
US English (models)	64Y8594	1
French (models)	64Y8596	1
German (models)	64Y8597	1
Spanish (models)	64Y8598	1
Brazilian (models)	64Y8599	1
Italian (models)	64Y8600	1
Dutch (models)	64Y8614	1
Czech (models)	64Y8601	1
Polish (models)	64Y8602	1
Russian (models)	64Y8603	1
Turkish (models)	64Y8604	1
Hungarian (models)	64Y8605	1
Greek (models)	64Y8606	1
Portuguese (models)	64Y8617	1
Simplified Chinese (models)	64Y8608	1
Hong Kong (models)	64Y8610	1
Traditional Chinese (models)	64Y8609	1
Korean (models)	64Y8611	1
Slovenian (models)	64Y8612	1
Russian English (models)	64Y8595	1

7705 Vista Home Basic 32 Recovery DVDs	FRU#	CRU
Hebrew (models)	64Y8615	1
Arabic Localized (models)	64Y8613	1
Slovakian (models)	64Y8619	1
Romanian (models)	64Y8616	1
Serbian-Latin (models)	64Y8618	1
C&L 1 Nordics (EN DK FI NO SV) (models)	64Y8620	1
C&L 2 Switzerland (EN FR GR IT) (models)	64Y8621	1
C&L 3 Bel Lux (EN FR GR NL) (models)	64Y8622	1
Japanese (models)	64Y8607	1

7705 Vista Business 32 Recovery DVDs	FRU#	CRU
US English (models A1H A2H A5H A6H 71G 75G 77G 79G A7U A8U A9U B2H 7AG 7CG)	64Y8565	1
French (models 71G 75G 77G 79G A7F A8F A9F 7AG 7CG)	64Y8567	1
German (models 71G 75G 77G 79G 7AG 7CG)	64Y8568	1
Spanish (models 71G 75G 77G 79G 7AG 7CG)	64Y8569	1
Brazilian Portuguese (models)	64Y8570	1
Italian (models 71G 75G 77G 79G 7AG 7CG)	64Y8571	1
Japanese (models)	64Y8578	1
Dutch (models 71G 75G 77G 79G 7AG 7CG)	64Y8585	1
Czech (models)	64Y8572	1
Polish (models 71G 75G 77G 79G 7AG 7CG)	64Y8573	1
Russian (models 71G 75G 77G 79G 7AG 7CG)	64Y8574	1
Turkish (models 71G 75G 77G 79G 7AG 7CG)	64Y8575	1
Hungarian (models 71G 75G 77G 79G 7AG 7CG)	64Y8576	1
Greek (models 71G 75G 77G 79G 7AG 7CG)	64Y8577	1
Portuguese (models)	64Y8588	1
Simplified Chinese (models)	64Y8579	1
Traditional Chinese (models)	64Y8580	1
Hong Kong (models)	64Y8581	1
Korean (models)	64Y8582	1
Slovenian (models 71G 75G 77G 79G 7AG 7CG)	64Y8583	1
Russian English (models 71G 75G 77G 79G 7AG 7CG)	64Y8566	1
Romanian (models 71G 75G 77G 79G 7AG 7CG)	64Y8587	1
Serbian-Latin (models 71G 75G 77G 79G 7AG 7CG)	64Y8589	1
Slovakian (models 71G 75G 77G 79G 7AG 7CG)	64Y8590	1
Arabic Localized (models 71G 75G 77G 79G 7AG 7CG)	64Y8584	1
Hebrew (models 71G 75G 77G 79G 7AG 7CG)	64Y8586	1
C&L 1 Nordics (EN DK FI NO SV) (models)	64Y8591	1
C&L 2 Switzerland (EN FR GR IT) (models)	64Y8592	1
C&L 3 Bel Lux (EN FR GR NL) (models)	64Y8593	1

7705 Vista Home Premium 32 Recovery DVDs	FRU#	CRU
US English (models)	64Y8623	1
French (models)	64Y8624	1
German (models)	64Y8625	1
Spanish (models)	64Y8626	1
Italian (models)	64Y8628	1
Japanese (models)	64Y8629	1
Hong Kong (models)	64Y8630	1
Korean (models)	64Y8627	1
C&L 1 Nordics (EN DK FI NO SV) (models)	64Y8631	1
C&L 2 Switzerland (EN FR GR IT) (models)	64Y8632	1
C&L 3 Bel Lux (EN FR GR NL) (models)	64Y8633	1

7705 Vista Business 64 Recovery DVDs	FRU#	CRU
US English (models)	64Y8643	1
French (models)	64Y8644	1
German (models)	64Y8645	1
Japanese (models)	64Y8646	1
Simplified Chinese (models)	64Y8647	1

7705 Vista Ultimate 32 Recovery DVDs	FRU#	CRU
US English (models)	64Y8634	1
Japanese (models)	64Y8635	1
French (models)	64Y8636	1
German (models)	64Y8637	1
Spanish (models)	64Y8638	1
Italian (models)	64Y8639	1
Hong Kong - Traditional Chinese (models)	64Y8640	1
Arabic localized (models)	64Y8641	1
C&L 1 Nordics (EN DK FI NO SV) (models)	64Y8642	1

7705 Vista Starter 32 Recovery DVDs	FRU#	CRU
English (models)	TBD	1

7705 Windows 7 Home Basic 32 Recovery DVDs	FRU#	CRU
Arabic (models)	71Y7549	1
India English (models)	71Y8655	1
Russian English (models)	71Y7550	1
Russian (models)	71Y7551	1
Spanish (models)	71Y7552	1
Serbian-Latin (models)	71Y7553	1
Turkish (models)	71Y7554	1

7705 Windows 7 Home Basic 32 Recovery DVDs	FRU#	CRU
English (models)	71Y7555	1

7705 Windows 7 Home Premium 32 Recovery DVDs	FRU#	CRU
Traditional Chinese (models)	71Y7556	1
India English (models)	71Y8656	1
French (models)	71Y7557	1
Hong Kong (models)	71Y7558	1
Italian (models)	71Y7559	1
Japan (models)	71Y7560	1
Korean (models)	71Y7561	1
Spanish (models)	71Y7562	1
English (models)	71Y7563	1
C&L Bel Lux (EN FR GR NL) (models)	71Y7564	1
C&L Nordics (EN DK FI NO SV) (models)	71Y7565	1
C&L Switzerland (EN FR GR IT) (models)	71Y7566	1

7705 Windows 7 Professional 32 Recovery DVDs	FRU#	CRU
Arabic (models)	71Y7523	1
Traditional Chinese (models)	71Y7524	1
Czech (models)	71Y7525	1
India English (models)	71Y8654	1
French (models)	71Y7526	1
Greek (models)	71Y7527	1
German (models)	71Y7528	1
Hebrew (models)	71Y7529	1
Hong Kong (models)	71Y7530	1
Hungarian (models)	71Y7531	1
Italian (models)	71Y7532	1
Japan (models)	71Y7533	1
Korean (models)	71Y7534	1
Polish (models)	71Y7535	1
Portuguese (models)	71Y7536	1
Russian English (models)	71Y7537	1
Romanian (models)	71Y7538	1
Russian (models)	71Y7539	1
Slovakia (models)	71Y7540	1
Slovenian (models)	71Y7541	1
Spanish (models)	71Y7542	1
Serbian-Latin (models)	71Y7543	1
Turkish (models)	71Y7544	1
English (models)	71Y7545	1

7705 Windows 7 Professional 32 Recovery DVDs	FRU#	CRU
C&L Bel Lux (EN FR GR NL) (models)	71Y7546	1
C&L Nordics (EN DK FI NO SV) (models)	71Y7547	1
C&L Switzerland (EN FR GR IT) (models)	71Y7548	1

7705 Windows 7 Professional 64 Recovery DVDs	FRU#	CRU
Traditional Chinese (models)	71Y7574	1
India English (models)	71Y8658	1
French (models)	71Y7575	1
German (models)	71Y7576	1
Hong Kong (models)	71Y7577	1
Italian (models)	71Y7578	1
Japan (models)	71Y7579	1
Spanish (models)	71Y7580	1
English (models)	71Y7581	1
C&L Bel Lux (EN FR GR NL) (models)	71Y7582	1
C&L Nordics (EN DK FI NO SV) (models)	71Y7583	1
C&L Switzerland (EN FR GR IT) (models)	71Y7584	1

7705 Windows 7 Starter Recovery DVDs	FRU#	CRU
Arabic (models)	71Y7567	1
India English (models)	71Y8657	1
Russian English (models)	71Y7568	1
Russian (models)	71Y7569	1
Spanish (models)	71Y7570	1
Serbian-Latin (models)	71Y7571	1
Turkish (models)	71Y7572	1
English (models)	71Y7573	1

Chapter 11. Additional service information

This chapter provides additional information that the service representative might find helpful.

Security features

Security features in this section include the following:

- Passwords
- Vital Product Data
- Management Information Format (MIF)

Hardware controlled Passwords

Hardware controlled passwords are set using the Setup Utility program. For more information about passwords, see "Using passwords" on page 51.

Operating system password

An operating system password is very similar to a power-on password and denies access to the computer by an unauthorized user when the password is activated. The computer is unusable until the password is entered and recognized by the computer.

Vital product data

Each computer has a unique Vital Product Data (VPD) code stored in the nonvolatile memory on the system board. After you replace the system board, the VPD must be updated. To update the VPD, see "Updating (flashing) BIOS from a disc" on page 278.

BIOS levels

An incorrect level of BIOS can cause false errors and unnecessary FRU replacement. Use the following information to determine the current level of BIOS installed in the computer, the latest BIOS available for the computer, and where to obtain the latest level of BIOS.

- To determine the current Level of BIOS:
 - Start the Setup Utility.
 - Select System Information on the Main setup screen.
- Sources for obtaining the latest level BIOS available
 1. Lenovo support web site:
<http://www.lenovo.com/support/>
 2. Lenovo Customer Support Center
 3. Levels 1 and 2 Support

To update (flash) the BIOS, see "Updating (flashing) BIOS from a disc" on page 278.

Updating (flashing) BIOS from a disc

This section provides instructions on how to update (flash) BIOS from a disc. System program updates are available at:
<http://www.lenovo.com/support>

To update (flash) BIOS from a disc, do the following:

1. Turn off your computer.
2. Repeatedly press and release the F12 key when turning on the computer. When the **Startup Device Menu** opens, release the F12 key.
3. On the **Startup Device Menu**, select the optical drive of your choice as the first boot device.
4. Insert the disc into the optical drive and press Enter. The update begins.
5. When prompted to change the serial number, press N. If you want to change the serial number, press Y when prompted. Type in the serial number and press Enter.
6. When prompted to change the machine type/model, press N. If you want to change the machine type/model, press Y when prompted. Type in the machine type/model and press Enter.
7. Follow the instructions on the screen to complete the update. After the update is completed, remove the disc from the optical drive.

Updating (flashing) BIOS from your operating system

Note: Because Lenovo makes constant improvements to the Web site, the Web page contents are subject to change without notice, including the contents referenced in the following procedure.

To update (flash) BIOS from your operating system, do the following:

1. Go to <http://www.lenovo.com/support>.
2. Do the following to locate the downloadable files for your machine type:
 - a. In the **Enter a product number** field, type your machine type and click **Go**.
 - b. Click **Downloads and drivers**.
 - c. Select **BIOS** in the **Refine results** field to easily locate all the BIOS related links.
 - d. Click the BIOS update link.
3. Click the TXT file that contains the instructions for updating (flashing) BIOS from your operating system.
4. Print these instructions. This is very important because these instructions are not on the screen after the download begins.
5. Follow the printed instructions to download, extract, and install the update.

Recovering from a POST/BIOS update failure

If the power to your computer is interrupted while POST/BIOS is being updated (flash update), your computer might not restart correctly. If this happens, perform the following procedure that is commonly called Boot-block Recovery.

1. Remove all media from the drives and turn off all attached devices and the computer. Then, disconnect all power cords from electrical outlets and disconnect all cables that are connected to the computer.

2. Remove or open the computer cover. See “Removing the computer cover” on page 86 or “Opening the computer cover” on page 126.
3. Depending on your machine type, you might need to lay the computer on its side for easier access to the system board or you might need to pivot the optical drive bay assembly upward and or remove the hard disk drive to access the system board, see “Accessing the system board components and drives” on page 127.
4. Locate the Clear CMOS/Recovery jumper on the system board. See “Locating parts on the system board” on page 89 or “Locating parts on the system board” on page 129.
5. Remove any cables that impede access to the Clear CMOS/Recovery jumper.
6. Move the jumper from the standard position (pin 1 and pin 2) to pin 2 and pin 3.
7. Reconnect any cables that were disconnected.
8. Reinstall or close the computer cover and reconnect the power cords for the computer and monitor to electrical outlets. See “Completing the FRU replacement” on page 120 or “Completing the FRU replacement” on page 155.
9. Turn on the computer and the monitor, and then insert the POST/BIOS update (flash update) disc into the optical drive.
10. Turn the computer off and back on again.
11. The recovery session will take two to three minutes. During this time you will hear a series of beeps. After the update session is completed, there will be no video, the series of beeps will end, and the system will automatically turn off. Remove the disc from the optical drive before the system completely turns off.
12. Repeat steps 2 through 5.
13. Move the jumper back to the standard position (pin 1 and pin 2).
14. Reconnect any cables that were disconnected.
15. Reinstall or close the computer cover and reconnect the power cords for the computer and monitor to electrical outlets. See “Completing the FRU replacement” on page 120 or “Completing the FRU replacement” on page 155.
16. Turn on the computer to restart the operating system.

Power management

Power management reduces the power consumption of certain components of the computer such as the system power supply, processor, hard disk drives, and some monitors.

Automatic configuration and power interface (ACPI) BIOS

Being an ACPI BIOS system, the operating system is allowed to control the power management features of the computer and the setting for Advanced Power Management (APM) BIOS mode is ignored. Not all operating systems support ACPI BIOS mode.

Automatic Power-On features

The Automatic Power-On features within the Power Management menu allow you to enable and disable features that turn on the computer automatically.

- **RTC resume:** You can specify a date and time at which the computer will be turned on automatically. This can be either a single event or a daily event.
- **Wake on LAN:** If the computer has a properly configured token-ring or Ethernet LAN adapter card that is Wake on LAN-enabled and there is remote network

management software, you can use the Wake on LAN feature. When you set Wake on LAN to **Enabled**, the computer will turn on when it receives a specific signal from another computer on the local area network (LAN).

Appendix. Notices

Lenovo may not offer the products, services, or features discussed in this document in all countries. Consult your local Lenovo representative for information on the products and services currently available in your area. Any reference to a Lenovo product, program, or service is not intended to state or imply that only that Lenovo product, program, or service may be used. Any functionally equivalent product, program, or service that does not infringe any Lenovo intellectual property right may be used instead. However, it is the user's responsibility to evaluate and verify the operation of any other product, program, or service.

Lenovo may have patents or pending patent applications covering subject matter described in this document. The furnishing of this document does not give you any license to these patents. You can send license inquiries, in writing, to:

*Lenovo (United States), Inc.
1009 Think Place - Building One
Morrisville, NC 27560
U.S.A.
Attention: Lenovo Director of Licensing*

LENOVO PROVIDES THIS PUBLICATION "AS IS" WITHOUT WARRANTY OF ANY KIND, EITHER EXPRESS OR IMPLIED, INCLUDING, BUT NOT LIMITED TO, THE IMPLIED WARRANTIES OF NON-INFRINGEMENT, MERCHANTABILITY OR FITNESS FOR A PARTICULAR PURPOSE. Some jurisdictions do not allow disclaimer of express or implied warranties in certain transactions, therefore, this statement may not apply to you.

This information could include technical inaccuracies or typographical errors. Changes are periodically made to the information herein; these changes will be incorporated in new editions of the publication. Lenovo may make improvements and/or changes in the product(s) and/or the program(s) described in this publication at any time without notice.

The products described in this document are not intended for use in implantation or other life support applications where malfunction may result in injury or death to persons. The information contained in this document does not affect or change Lenovo product specifications or warranties. Nothing in this document shall operate as an express or implied license or indemnity under the intellectual property rights of Lenovo or third parties. All information contained in this document was obtained in specific environments and is presented as an illustration. The result obtained in other operating environments may vary.

Lenovo may use or distribute any of the information you supply in any way it believes appropriate without incurring any obligation to you.

Any references in this publication to non-Lenovo Web sites are provided for convenience only and do not in any manner serve as an endorsement of those Web sites. The materials at those Web sites are not part of the materials for this Lenovo product, and use of those Web sites is at your own risk.

Any performance data contained herein was determined in a controlled environment. Therefore, the result obtained in other operating environments may

vary significantly. Some measurements may have been made on development-level systems and there is no guarantee that these measurements will be the same on generally available systems. Furthermore, some measurements may have been estimated through extrapolation. Actual results may vary. Users of this document should verify the applicable data for their specific environment.

Television output notice

The following notice applies to models that have the factory-installed television-output feature.

This product incorporates copyright protection technology that is protected by method claims of certain U.S. patents and other intellectual property rights owned by Macrovision Corporation and other rights owners. Use of this copyright protection technology must be authorized by Macrovision Corporation, and is intended for home and other limited viewing uses only unless otherwise authorized by Macrovision Corporation. Reverse engineering or disassembly is prohibited.

Trademarks

The following terms are trademarks or service marks of Lenovo in the United States, other countries, or both:

- Lenovo
- Lenovo Care
- Rescue and Recovery
- The Lenovo logo
- ThinkCentre
- ThinkVantage

Celeron, Intel, and Intel Core are trademarks of Intel Corporation in the United States, other countries, or both.

Microsoft, Windows, and Windows Vista are trademarks of the Microsoft group of companies.

Other company, product, or service names may be trademarks or service marks of others.

Index

A

Access Help 39
adapter card 132
 installing, replacing 132

B

battery, replacing 95, 134
beep symptoms 77
BIOS, updating (flashing) 278
boot error, hard disk drive 55
Boot-block Recovery 278

C

cables, routing 155
card reader, replacing 112, 149
changing
 startup device sequence 54
components, accessing system board 127
components, internal 88, 128
computer cover
 opening 126
 removing 86
computer cover, reinstalling 120
connectors
 front 84, 124
 rear 85, 125
considerations, password 52

D

diagnostics 45
diskette drive, replacing 112

E

electrical safety 3
electrostatic discharge-sensitive devices 6
environment, operating 41
error codes, diagnostic 56
error codes, POST 78
exiting, Setup Utility program 54

F

failure, recovering from POST/BIOS 278
flashing BIOS 278
front audio and USB assembly, replacing 119, 150
front bezel
 front bezel, removing 89
 front bezel, reinstalling 89
front connectors 84, 124
front fan assembly, replacing 113
FRU
 completing the installation 120, 155
FRU replacement, completing 120, 155

G

general checkout 43
grounding requirements 7

H

hard disk drive, replacing 105, 136
heat sink and fan assembly, replacing 98, 142
help
 Access Help 39

I

important safety information 1
installing
 PCI card 92
installing options
 adapter card 132
 memory module 90, 130
internal speaker, replacing 117, 151

L

Lenovo Care 39
Lenovo System Toolbox 45
Lenovo ThinkVantage Toolbox 45
Lenovo ThinkVantage Tools 39
locating components 88, 128

M

memory module
 installing 130
 installing, replacing 90
 system board 90, 130
microprocessor, replacing 100, 144
miscellaneous error messages 80

O

opening computer cover 126
optical drive, replacing 110, 137

P

password
 considerations 52
 setting, changing, deleting 52
PC-Doctor for DOS 46
PC-Doctor for Rescue and Recovery 46
PCI card
 installing, replacing 92
physical specifications 41
power supply assembly, replacing 96, 140
power supply problems 55

R

- rear connectors 85, 125
- rear fan assembly, replacing 115
- recovering
 - from a POST/BIOS update failure 278
- recovery
 - Boot-block Recovery 278
- removing computer cover 86
- replacing
 - battery 95, 134
 - card reader 112, 149
 - diskette drive 112
 - front audio and USB assembly 119, 150
 - front fan assembly 113
 - hard disk drive 105, 136
 - heat sink and fan assembly 98, 142
 - internal speaker 117, 151
 - microprocessor 100, 144
 - optical drive 110, 137
 - PCI card 92
 - power supply assembly 96, 140
 - rear fan assembly 115
 - system board 103, 147
- RoHS 2

S

- safety information 3
- safety inspection guide 5
- safety notices 7
- security
 - enabling or disabling 53
- selecting
 - startup device 53
 - temporary startup device 53
- Set Administrator Password 52
- Set Power-On Password 52
- settings
 - changing 51
 - viewing 51
- Setup Utility program 51
- Setup Utility program, exiting 54
- Setup Utility program, starting 51
- starting the Setup Utility program 51
- startup device 53
 - sequence, changing 54
 - temporary, selecting 53
- Symptom-to-FRU index 55
- system board
 - components, accessing 127
 - connectors 89, 129
 - locating parts 89, 129
 - location 89, 129
 - memory module 90, 130
- system board, replacing 103, 147

T

- temporary startup device 53
- test results 48
- tips, problem determination 43

U

- undetermined problems 81

- updating
 - (flashing) BIOS 278
- updating (flashing) BIOS 278
- using
 - passwords 51
 - Setup Utility program 51

V

- viewing and changing settings 51
- voltage-selection switch 5

lenovo®

Part Number: 53Y6319

Printed in USA

(1P) P/N: 53Y6319

