

lenovo

ThinkCentre
Hardware Maintenance Manual



ThinkThink**ThinkCentre**Think

Machine Type:6176, 6177, 6178, 6305, 7064, 7065, 7066, 7094, 7096,
7098, 9349, 9351, 9352, 9356, 9357, 9358, 9359, 9438, 9439, 9481,
9482, 9487, 9488, 9489, 9622, 9702, 9703, 9704, 9708, 9709, 9784,
9785, 9788, 9789, 9792, 9794, 9807, 9851, 9853, 9859, 9948, 9949,
and 9952



ThinkCentre Hardware Maintenance Manual

Machine Type: 6176, 6177, 6178, 6305, 7064, 7065, 7066, 7094, 7096, 7098, 9349, 9351, 9352, 9356, 9357, 9358, 9359, 9438, 9439, 9481, 9482, 9487, 9488, 9489, 9622, 9702, 9703, 9704, 9708, 9709, 9784, 9785, 9788, 9789, 9792, 9794, 9807, 9851, 9853, 9859, 9948, 9949, and 9952

Note: Before using this information and the product it supports, be sure to read the information under Appendix A "Notices" on page 777.

Eleventh Edition (September 2009)

© Copyright Lenovo 2005, 2010.

LENOVO products, data, computer software, and services have been developed exclusively at private expense and are sold to governmental entities as commercial items as defined by 48 C.F.R. 2.101 with limited and restricted rights to use, reproduction and disclosure.

LIMITED AND RESTRICTED RIGHTS NOTICE: If products, data, computer software, or services are delivered pursuant a General Services Administration "GSA" contract, use, reproduction, or disclosure is subject to restrictions set forth in Contract No. GS-35F-05925.

Contents

Chapter 1. About this manual 1

Important Safety Information	1
Important information about replacing RoHS compliant FRUs	1

Chapter 2. Safety information 3

General safety	3
Electrical safety	3
Voltage-selection switch	5
Safety inspection guide	5
Handling electrostatic discharge-sensitive devices	6
Grounding requirements	6
Safety notices (multi-lingual translations)	6

Chapter 3. General information. 29

The ThinkVantage Productivity Center program	29
Additional information resources	29
Specifications	29
Types 7066, 7098, 9352, 9359, 9482, 9487, 9622, 9704, 9794, 9859, 9785, 9807, 9952	29
Types 7065, 7096, 9351, 9358, 9438, 9481, 9489, 9703, 9784, 9788, 9792, 9853, 9949	29
Types 7064, 7094, 9349, 9356, 9357, 9439, 9488, 9702, 9708, 9709, 9789, 9851, 9948	30

Chapter 4. General Checkout. 33

Problem determination tips	33
--------------------------------------	----

Chapter 5. Diagnostics 35

PC-Doctor for Windows	35
PC-Doctor for Windows PE.	35
Running diagnostics from the Rescue and Recovery workspace	35
PC-Doctor for DOS	36
Creating a diagnostic CD image	36
Creating diagnostic diskettes	36
Running diagnostics from the CD or diskettes	36
Navigating through the diagnostics programs	37
Running tests	37
Viewing the test log	38

Chapter 6. Using the Setup Utility 41

Starting the Setup Utility program	41
Viewing and changing settings	41
Using passwords.	41
Password considerations.	41

User Password.	42
Administrator Password	42
Setting, changing, and deleting a password	42
Selecting a startup device	42
Selecting a temporary startup device	42
Selecting or changing the startup device sequence	43
Advanced settings	43
Exiting from the Setup Utility program	43

Chapter 7. Symptom-to-FRU Index 45

Hard disk drive boot error	45
Power Supply Problems	45
Diagnostic error codes	46
Beep symptoms	63
POST error codes	64
Miscellaneous error messages	65
Undetermined problems	67

Chapter 8. Replacing FRUs (Types 7065, 7096, 9351, 9358, 9438, 9481, 9489, 9703, 9784, 9788, 9792, 9853, 9949). 69

Locations.	69
Rear connectors	69
Computer components	70
System board connectors	70
Removing the cover	71
Accessing system board components and drives	72
Replacing a memory module	73
Replacing the CMOS battery	74
Replacing the power supply	75
Replacing the system board	76
Replacing the microprocessor	79
Replacing the hard disk drive	82
Replacing an optical drive	84
Replacing the diskette drive	84
Replacing the power switch/LED assembly	85
Replacing the front panel card	86
Replacing the system fan assembly	87
Replacing a PCI adapter	87
Completing the FRU replacement	88

Chapter 9. Replacing FRUs (Types 7064, 7094, 9349, 9356, 9357, 9439, 9488, 9702, 9708, 9709, 9789, 9851, 9948). 91

Locations	91
Rear connectors	91
Computer components	92
System board connectors	92
Removing the cover	93
Removing and replacing the front bezel	94
Replacing the power supply	95
Replacing the system board	96
Replacing the microprocessor	100
Replacing a memory module	103
Replacing a PCI adapter	104
Replacing the primary hard disk drive	105
Replacing the secondary hard disk drive	108
Replacing an optical drive	111
Replacing the diskette drive	111
Replacing the rear fan assembly	112
Replacing the front fan assembly	114
Replacing the front audio/USB assembly	115
Replacing the power switch/LED assembly	116
Replacing the CMOS battery	116
Completing the FRU replacement	117

Chapter 10. Replacing FRUs (Types 7066, 7098, 9352, 9359, 9482, 9487, 9622, 9704, 9785, 9794, 9807, 9859, 9952). **119**

Locations	119
Front connectors	119
Rear connectors	119
Computer components	120
System board connectors	121
Opening the cover	122
Accessing system board components and drives	123
Replacing an adapter card	124
Replacing a memory module	124
Replacing the battery	126
Replacing the power supply	126
Replacing the system board	129
Replacing the microprocessor	132
Replacing the hard disk drive	136
Replacing an optical drive	137
Replacing the diskette drive	138
Replacing the fan assembly	140
Completing the FRU replacement	141

Chapter 11. FRU lists 143

Machine Type 6176	143
Machine Type 6177	158
Machine Type 6178	173
Machine Type 6179	187

Machine Type 6305	202
Machine Type 7064	218
Machine Type 7065	233
Machine Type 7066	248
Machine Type 7094	263
Machine Type 7096	278
Machine Type 7098	293
Machine Type 9349	308
Machine Type 9352	324
Machine Type 9352	339
Machine Type 9356	354
Machine Type 9357	370
Machine Type 9358	385
Machine Type 9359	400
Machine Type 9438	415
Machine Type 9439	431
Machine Type 9481	451
Machine Type 9482	471
Machine Type 9487	493
Machine Type 9488	510
Machine Type 9489	525
Machine Type 9622	540
Machine Type 9702	554
Machine Type 9703	572
Machine Type 9704	588
Machine Type 9708	605
Machine Type 9788	621
Machine Type 9789	637
Machine Type 9794	652
Machine Type 9807	667
Machine Type 9851	682
Machine Type 9853	699
Machine Type 9859	714
Machine Type 9948	730
Machine Type 9949	745
Machine Type 9952	760

Chapter 12. Additional Service Information 775

Security features	775
Hardware controlled Passwords	775
Operating system password	775
Vital product data	775
BIOS levels	775
Updating (flashing) BIOS from a CD-ROM or diskette	775
Recovering from a POST/BIOS update failure	776
Power management	776
Automatic configuration and power interface (ACPI) BIOS	776
Automatic Power-On features	776

Appendix A. Notices	777	Trademarks	778
Television output notice	778		

Chapter 1. About this manual

This manual contains service and reference information for ThinkCentre® computers listed on the cover. It is intended only for trained servicers who are familiar with Lenovo® computer products.

Before servicing a Lenovo product, be sure to read the Safety Information. See Chapter 2 “Safety information” on page 3.

The Symptom-to-FRU Index and Additional Service Information chapters are not specific to any machine type and are applicable to all ThinkCentre computers.

This manual includes a complete FRU part number listing for each machine type and model listed on the cover. If you have internet access, FRU part numbers are also available at:
<http://www.lenovo.com/support>

Important Safety Information

Be sure to read all caution and danger statements in this book before performing any of the instructions.

Veillez lire toutes les consignes de type DANGER et ATTENTION du présent document avant d'exécuter les instructions.

Lesen Sie unbedingt alle Hinweise vom Typ "ACHTUNG" oder "VORSICHT" in dieser Dokumentation, bevor Sie irgendwelche Vorgänge durchführen

Leggere le istruzioni introdotte da ATTENZIONE e PERICOLO presenti nel manuale prima di eseguire una qualsiasi delle istruzioni

Certifique-se de ler todas as instruções de cuidado e perigo neste manual antes de executar qualquer uma das instruções

Es importante que lea todas las declaraciones de precaución y de peligro de este manual antes de seguir las instrucciones.

تأكد من قراءة كل التحذيرات الموجودة في هذا الكتاب قبل اتباع هذه التعليمات .

执行任何说明之前，请确保已阅读本书中的所有警告和危险声明。

執行任何指示前，請確實閱讀本書中的所有警告及危險聲明。

ודאו שקראתם את כל הודעות האזהרה והסכנה במסמך זה לפני שתבצעו פעולה כלשהי.

본 사용 설명서에 기재된 내용을 실행하기 전에 모든 주의사항 및 위험사항을 숙지하십시오.

Important information about replacing RoHS compliant FRUs

RoHS, The Restriction of Hazardous Substances in Electrical and Electronic Equipment Directive (2002/95/EC) is a European Union legal requirement affecting the global electronics industry. RoHS requirements must be implemented on Lenovo products placed on the market and sold in the European Union after June 2006. Products on the market before June 2006 are not required to have RoHS compliant parts. If the parts are not compliant originally, replacement parts can also

be noncompliant, but in all cases, if the parts are compliant, the replacement parts must also be compliant.

Note: RoHS and non-RoHS FRU part numbers with the same fit and function are identified with unique FRU part numbers.

Lenovo plans to transition to RoHS compliance well before the implementation date and expects its suppliers to be ready to support Lenovo's requirements and schedule in the EU. Products sold in 2005, will contain some RoHS compliant FRUs. The following statement pertains to these products and any product Lenovo produces containing RoHS compliant parts.

RoHS compliant ThinkCentre parts have unique FRU part numbers. Before or after June, 2006, failed RoHS compliant parts must always be replaced using RoHS compliant FRUs, so only the FRUs identified as compliant in the system HMM or direct substitutions for those FRUs can be used.

Products marketed before June 2006		Products marketed after June 2006	
Current or original part	Replacement FRU	Current or original part	Replacement FRU
Non-RoHS	Can be Non-RoHS	Must be RoHS	Must be RoHS
Non-RoHS	Can be RoHS		
Non-RoHS	Can sub to RoHS		
RoHS	Must be RoHS		

Note: A direct substitution is a part with a different FRU part number that is automatically shipped by the distribution center at the time of order.

Chapter 2. Safety information

This chapter contains the safety information that you need to be familiar with before servicing a computer.

General safety

Follow these rules to ensure general safety:

- Observe good housekeeping in the area of the machines during and after maintenance.
- When lifting any heavy object:
 1. Ensure you can stand safely without slipping.
 2. Distribute the weight of the object equally between your feet.
 3. Use a slow lifting force. Never move suddenly or twist when you attempt to lift.
 4. Lift by standing or by pushing up with your leg muscles; this action removes the strain from the muscles in your back. *Do not attempt to lift any objects that weigh more than 16 kg (35 lb) or objects that you think are too heavy for you.*
- Do not perform any action that causes hazards to the customer, or that makes the equipment unsafe.
- Before you start the machine, ensure that other service representatives and the customer's personnel are not in a hazardous position.
- Place removed covers and other parts in a safe place, away from all personnel, while you are servicing the machine.
- Keep your tool case away from walk areas so that other people will not trip over it.
- Do not wear loose clothing that can be trapped in the moving parts of a machine. Ensure that your sleeves are fastened or rolled up above your elbows. If your hair is long, fasten it.
- Insert the ends of your necktie or scarf inside clothing or fasten it with a nonconductive clip, approximately 8 centimeters (3 inches) from the end.
- Do not wear jewelry, chains, metal-frame eyeglasses, or metal fasteners for your clothing.
Remember: Metal objects are good electrical conductors.
- Wear safety glasses when you are: hammering, drilling soldering, cutting wire, attaching springs, using solvents, or working in any other conditions that might be hazardous to your eyes.
- After service, reinstall all safety shields, guards, labels, and ground wires. Replace any safety device that is worn or defective.
- Reinstall all covers correctly before returning the machine to the customer.

Electrical safety



CAUTION:

Electrical current from power, telephone, and communication cables can be hazardous. To avoid personal injury or equipment damage, disconnect the attached power cords, telecommunication systems, networks, and modems before you open the server/workstation covers, unless instructed otherwise in the installation and configuration procedures.

Observe the following rules when working on electrical equipment.

Important: Use only approved tools and test equipment. Some hand tools have handles covered with a soft material that does not insulate you when working with live electrical currents. Many customers have, near their equipment, rubber floor mats that contain small conductive fibers to decrease electrostatic discharges. Do not use this type of mat to protect yourself from electrical shock.

- Find the room emergency power-off (EPO) switch, disconnecting switch, or electrical outlet. If an electrical accident occurs, you can then operate the switch or unplug the power cord quickly.
- Do not work alone under hazardous conditions or near equipment that has hazardous voltages.
- Disconnect all power before:
 - Performing a mechanical inspection
 - Working near power supplies
 - Removing or installing Field Replaceable Units
- Before you start to work on the machine, unplug the power cord. If you cannot unplug it, ask the customer to power-off the wall box that supplies power to the machine and to lock the wall box in the off position.
- If you need to work on a machine that has exposed electrical circuits, observe the following precautions:
 - Ensure that another person, familiar with the power-off controls, is near you.
Remember: Another person must be there to switch off the power, if necessary.
 - Use only one hand when working with powered-on electrical equipment; keep the other hand in your pocket or behind your back.
Remember: There must be a complete circuit to cause electrical shock. By observing the above rule, you may prevent a current from passing through your body.
 - When using testers, set the controls correctly and use the approved probe leads and accessories for that tester.
 - Stand on suitable rubber mats (obtained locally, if necessary) to insulate you from grounds such as metal floor strips and machine frames.

Observe the special safety precautions when you work with very high voltages; these instructions are in the safety sections of maintenance information. Use extreme care when measuring high voltages.

- Regularly inspect and maintain your electrical hand tools for safe operational condition.
- Do not use worn or broken tools and testers.
- *Never assume* that power has been disconnected from a circuit. First, *check* that it has been powered-off.
- Always look carefully for possible hazards in your work area. Examples of these hazards are moist floors, nongrounded power extension cables, power surges, and missing safety grounds.
- Do not touch live electrical circuits with the reflective surface of a plastic dental mirror. The surface is conductive; such touching can cause personal injury and machine damage.
- Do not service the following parts with the power on when they are removed from their normal operating places in a machine:
 - Power supply units
 - Pumps
 - Blowers and fans
 - Motor generatorsand similar units. (This practice ensures correct grounding of the units.)
- If an electrical accident occurs:
 - Use caution; do not become a victim yourself.
 - Switch off power.
 - Send another person to get medical aid.

Voltage-selection switch

Some computers are equipped with a voltage-selection switch located near the power-cord connection point on the computer. If your computer has a voltage-selection switch, ensure that you set the switch to match the voltage available at your electrical outlet. Setting the voltage-selection switch incorrectly can cause permanent damage to the computer.

If your computer does not have a voltage-selection switch, your computer is designed to operate only at the voltage provided in the country or region where the computer was originally purchased.

If you relocate your computer to another country, be aware of the following:

- If your computer does not have a voltage-selection switch, do not connect the computer to an electrical outlet until you have verified that the voltage provided is the same as it was in the country or region where the computer was originally purchased.
- If your computer has a voltage selection switch, do not connect the computer to an electrical outlet until you have verified that the voltage-selection switch is set to match the voltage provided in that country or region.

If you are not sure of the voltage provided at your electrical outlet, contact your local electric company or refer to official Web sites or other literature for travelers to the country or region where you are located.

Safety inspection guide

The intent of this inspection guide is to assist you in identifying potentially unsafe conditions on these products. Each machine, as it was designed and built, had required safety items installed to protect users and service personnel from injury. This guide addresses only those items. However, good judgment should be used to identify potential safety hazards due to attachment of features or options not covered by this inspection guide.

If any unsafe conditions are present, you must determine how serious the apparent hazard could be and whether you can continue without first correcting the problem.

Consider these conditions and the safety hazards they present:

- Electrical hazards, especially primary power (primary voltage on the frame can cause serious or fatal electrical shock).
- Explosive hazards, such as a damaged CRT face or bulging capacitor
- Mechanical hazards, such as loose or missing hardware

The guide consists of a series of steps presented in a checklist. Begin the checks with the power off, and the power cord disconnected.

Checklist:

1. Check exterior covers for damage (loose, broken, or sharp edges).
2. Power-off the computer. Disconnect the power cord.
3. Check the power cord for:
 - a. A third-wire ground connector in good condition. Use a meter to measure third-wire ground continuity for 0.1 ohm or less between the external ground pin and frame ground.
 - b. The power cord should be the appropriate type as specified in the parts listings.
 - c. Insulation must not be frayed or worn.
4. Remove the cover.

5. Check for any obvious alterations. Use good judgment as to the safety of any alterations.
6. Check inside the unit for any obvious unsafe conditions, such as metal filings, contamination, water or other liquids, or signs of fire or smoke damage.
7. Check for worn, frayed, or pinched cables.
8. Check that the power-supply cover fasteners (screws or rivets) have not been removed or tampered with.

Handling electrostatic discharge-sensitive devices

Any computer part containing transistors or integrated circuits (ICs) should be considered sensitive to electrostatic discharge (ESD). ESD damage can occur when there is a difference in charge between objects. Protect against ESD damage by equalizing the charge so that the machine, the part, the work mat, and the person handling the part are all at the same charge.

1. Use product-specific ESD procedures when they exceed the requirements noted here.
2. Make sure that the ESD protective devices you use have been certified (ISO 9000) as fully effective.

When handling ESD-sensitive parts:

- Keep the parts in protective packages until they are inserted into the product.
- Avoid contact with other people while handling the part.
- Wear a grounded wrist strap against your skin to eliminate static on your body.
- Prevent the part from touching your clothing. Most clothing is insulative and retains a charge even when you are wearing a wrist strap.
- Use the black side of a grounded work mat to provide a static-free work surface. The mat is especially useful when handling ESD-sensitive devices.
- Select a grounding system, such as those listed below, to provide protection that meets the specific service requirement.

Note: The use of a grounding system is desirable but not required to protect against ESD damage.

- Attach the ESD ground clip to any frame ground, ground braid, or green-wire ground.
- Use an ESD common ground or reference point when working on a double-insulated or battery-operated system. You can use coax or connector-outside shells on these systems.
- Use the round ground-prong of the ac plug on ac-operated computers.

Grounding requirements

Electrical grounding of the computer is required for operator safety and correct system function. Proper grounding of the electrical outlet can be verified by a certified electrician.

Safety notices (multi-lingual translations)

The caution and danger safety notices in this section are provided in the following languages:

- English
- Arabic
- Brazilian/Portuguese
- Chinese (simplified)
- Chinese (traditional)
- French

- German
- Hebrew
- Italian
- Korean
- Spanish



DANGER

Electrical current from power, telephone and communication cables is hazardous.

To avoid a shock hazard:

- **Do not connect or disconnect any cables or perform installation, maintenance, or reconfiguration of this product during an electrical storm.**
- **Connect all power cords to a properly wired and grounded electrical outlet.**
- **Connect to properly wired outlets any equipment that will be attached to this product.**
- **When possible, use one hand only to connect or disconnect signal cables.**
- **Never turn on any equipment when there is evidence of fire, water, or structural damage.**
- **Disconnect the attached power cords, telecommunications systems, networks, and modems before you open the device covers, unless instructed otherwise in the installation and configuration procedures.**
- **Connect and disconnect cables as described in the following tables when installing, moving, or opening covers on this product or attached devices.**

To Connect	To Disconnect
1. Turn everything OFF. 2. First, attach all cables to devices. 3. Attach signal cables to connectors. 4. Attach power cords to outlet. 5. Turn device ON.	1. Turn everything OFF. 2. First, remove power cords from outlet. 3. Remove signal cables from connectors. 4. Remove all cables from devices.



CAUTION:

When replacing the lithium battery, use only Part Number 45C1566 or an equivalent type battery recommended by the manufacturer. If your system has a module containing a lithium battery, replace it only with the same module type made by the same manufacturer. The battery contains lithium and can explode if not properly used, handled, or disposed of. *Do not:*

- **Throw or immerse into water**
- **Heat to more than 100°C (212°F)**
- **Repair or disassemble**

Dispose of the battery as required by local ordinances or regulations.



CAUTION:

When laser products (such as CD-ROMs, DVD-ROM drives, fiber optic devices, or transmitters) are installed, note the following:

- Do not remove the covers. Removing the covers of the laser product could result in exposure to hazardous laser radiation. There are no serviceable parts inside the device.
- Use of controls or adjustments or performance of procedures other than those specified herein might result in hazardous radiation exposure.



DANGER

Some laser products contain an embedded Class 3A or Class 3B laser diode. Note the following:

Laser radiation when open. Do not stare into the beam, do not view directly with optical instruments, and avoid direct exposure to the beam.



≥18 kg (37 lbs)



≥32 kg (70.5 lbs)



≥55 kg (121.2 lbs)

CAUTION:

Use safe practices when lifting.



CAUTION:

The power control button on the device and the power switch on the power supply do not turn off the electrical current supplied to the device. The device also might have more than one power cord. To remove all electrical current from the device, ensure that all power cords are disconnected from the power source.



التيار الكهربائي الموجود بمصدر الطاقة أو أجهزة التليفون أو أسلاك الاتصالات يشكل خطورة.

لتفادي مخاطر الصدمات الكهربائية:

لا تحاول توصيل أو فصل أي أسلاك أو القيام بعمليات تركيب أو صيانة أو إعادة توصيف لهذا المنتج أثناء وجود عاصفة كهربائية.

يجب توصيل كل أسلاك الكهرباء في مخارج كهرباء ذات توصيلات أسلاك وتوصيلات أرضية صحيحة
يجب توصيل أي جهاز سيتم الحاقه بهذا المنتج في مخارج كهرباء ذات توصيلات أسلاك صحيحة.

وإن أمكن يجب استخدام يد واحدة فقط في توصيل أو فصل أسلاك الإشارة.

لا تحاول تشغيل أي جهاز إذا كان هناك أثر لحرق أو مياه أو تلف بالمكونات

يجب فصل أسلاك الكهرباء وأنظمة الاتصالات وشبكات الاتصال وأجهزة المودم الملحقة قبل فتح أغطية الجهاز، مالم يتم طلب خلاف ذلك في التعليمات الخاصة بالتركيب والتوصيف.
قم بتوصيل وفصل الأسلاك كما هو موضح في الجدول التالي وذلك عند القيام بعمليات التركيب أو النقل أو فتح أغطية هذا المنتج أو الأجهزة الملحقة.

للفصل:

- قم بإيقاف كل شيء.
- أولاً، قم بفصل كل أسلاك الكهرباء من المخرج.
- قم بفصل أسلاك الإشارة من الموصلات.
- قم بفصل كل الأسلاك من الأجهزة.

للتوصيل:

- قم بإيقاف كل شيء.
- أولاً، قم بتوصيل كل الأسلاك بالأجهزة.
- قم بتوصيل أسلاك الإشارة في لموصلات.
- قم بتوصيل أسلاك الكهرباء في المخارج.
- قم بتشغيل الجهاز.



تنبيه :

عند استبدال البطارية الليثيوم، استخدم فقط رقم الجزء الخاص **Part Number 33F8354**

أو نوع آخر يكون على نفس مستوى الكفاءة يحدده لك المصنع.

إذا كان النظام الخاص يستخدم معه بطارية ليثيوم قم باستبدالها بنفس النوع الذي تم صناعته من خلال نفس المصنع. تحتوي البطارية على مادة الليثيوم ويمكن أن تنفجر في حالة عدم استخدامها أو التعامل معها بطريقة صحيحة أو عند التخلص منها بطريقة خطأ.

لا تقم بـ:

- القاء البطارية أو غمرها في الماء
- تسخينها أعلى من ١٠٠ درجة مئوية (٢١٢ ° فهرنهايت)
- بتصلحها أو فكها

تخلص من البطارية طبقاً للقانون أو النظام المحلي .



تنبيه :
أثناء تركيب منتجات ليزر (مثل CD-ROMs أو وحدة تشغيل DVD أو أجهزة Fiber Optic أو وحدات الإرسال) يجب مراعاة الآتي:

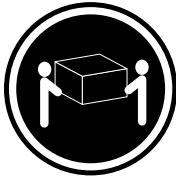
لا تنزع الأغطية. قد ينتج عن نزع أغطية منتج الليزر انفجار أشعة الليزر شديدة الخطورة.
لا يوجد أجزاء يمكن تغييرها داخل الجهاز. قد ينتج عن استخدام تحكيمات أو تعديلات أو عمل أي تصرفات أخرى تخالف ما هو محدد هنا إلى انفجار أشعة شديدة الخطورة.



خطر

تحتوي بعض منتجات الليزر على الفئة دايود ليزر مدمج من الفئة Class 3A أو Class 3B. يجب مراعاة الآتي .

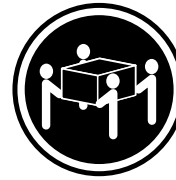
أشعة الليزر عند الفتح. لا تحقق إلى الإشعاع و لا تنظر إليه مباشرة بواسطة أي أجهزة مرئية وتجنب التعرض المباشر للإشعاع .



≥18 kg (37 lbs)



≥32 kg (70.5 lbs)

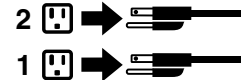


≥55 kg (121.2 lbs)

تنبيه :
يجب استخدام ممارسات أمانة عند الرفع



تنبيه :
لا يقر زر التحكم في التشغيل الموجود على الجهاز والمفتاح الكهربائي الموجود على لوحة التحكم بإيقاف التيار الكهربائي المار بالجهاز. قد يكون للجهاز أكثر من سلك كهربائي واحد. لإيقاف التيار الكهربائي المار بالجهاز، تأكد من فصل جميع أسلاك الكهرباء من مصدر الكهرباء .



PERIGO

A corrente elétrica proveniente de cabos de alimentação, de telefone e de comunicações é perigosa.

Para evitar risco de choque elétrico:

- Não conecte nem desconecte nenhum cabo ou execute instalação, manutenção ou reconfiguração deste produto durante uma tempestade com raios.
- Conecte todos os cabos de alimentação a tomadas elétricas corretamente instaladas e aterradas.
- Todo equipamento que for conectado a este produto deve ser conectado a tomadas corretamente instaladas.
- Quando possível, utilize apenas uma das mãos para conectar ou desconectar cabos de sinal.
- Nunca ligue nenhum equipamento quando houver evidência de fogo, água ou danos estruturais.
- Antes de abrir tampas de dispositivos, desconecte cabos de alimentação, sistemas de telecomunicação, redes e modems conectados, a menos que especificado de maneira diferente nos procedimentos de instalação e configuração.
- Conecte e desconecte os cabos conforme descrito na tabela apresentada a seguir ao instalar, mover ou abrir tampas deste produto ou de dispositivos conectados.

Para Conectar:	Para Desconectar:
<ol style="list-style-type: none">1. DESLIGUE Tudo.2. Primeiramente, conecte todos os cabos aos dispositivos.3. Conecte os cabos de sinal aos conectores.4. Conecte os cabos de alimentação às tomadas.5. LIGUE os dispositivos.	<ol style="list-style-type: none">1. DESLIGUE Tudo.2. Primeiramente, remova os cabos de alimentação das tomadas.3. Remova os cabos de sinal dos conectores.4. Remova todos os cabos dos dispositivos.



CUIDADO:

Ao substituir a bateria de lítio, utilize apenas uma bateria com Número de Peça 45C1566 ou um tipo de bateria equivalente recomendado pelo Se o seu sistema possui um módulo com uma bateria de lítio, substitua-o apenas por um módulo do mesmo tipo e do mesmo fabricante. A bateria contém lítio e pode explodir se não for utilizada, manuseada ou descartada de maneira correta.

Não:

- Jogue ou coloque na água
- Aqueça a mais de 100°C (212°F)
- Conserte nem desmonte

Descarte a bateria conforme requerido pelas leis ou regulamentos locais.



PRECAUCIÓN:

Quando produtos a laser (como unidades de CD-ROMs, unidades de DVD-ROM, dispositivos de fibra ótica ou transmissores) estiverem instalados, observe o seguinte:

- Não remova as tampas. A remoção das tampas de um produto a laser pode resultar em exposição prejudicial à radiação de laser. Não existem peças que podem ser consertadas no interior do dispositivo.
- A utilização de controles ou ajustes ou a execução de procedimentos diferentes dos especificados aqui pode resultar em exposição prejudicial à radiação.

PERIGO

Alguns produtos a laser contêm diodo de laser integrado da Classe 3A ou da Classe 3B. Observe o seguinte:

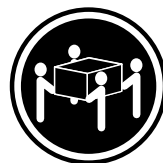
Radiação a laser quando aberto. Não olhe diretamente para o feixe a olho nu ou com instrumentos ópticos e evite exposição direta ao feixe.



≥18 kg (37 lbs)



≥32 kg (70.5 lbs)



≥55 kg (121.2 lbs)

CUIDADO:

Utilize procedimentos de segurança para levantar equipamentos.



CUIDADO:

O botão de controle de alimentação do dispositivo e o botão para ligar/desligar da fonte de alimentação não desligam a corrente elétrica fornecida ao dispositivo. O dispositivo também pode ter mais de um cabo de alimentação. Para remover toda a corrente elétrica do dispositivo, assegure que todos os cabos de alimentação estejam desconectados da fonte de alimentação.



危险

电源、电话和通信电缆中的电流是危险的。

为避免电击危险：

- 请勿在雷电期间连接或断开任何电缆的连接，或者对本产品进行安装、维护或重新配置。
- 将所有电源线连接到正确连线和妥善接地的电源插座。
- 将所有要连接到该产品的设备连接到正确连线的插座。
- 如果可能，请仅使用一只手来连接或断开信号电缆的连接。
- 切勿在有火、水、结构损坏迹象的情况下开启任何设备。
- 在打开设备外盖之前请断开已连接的电源线、远程通信系统、网络和调制解调器，除非在安装和配置过程中另有说明。
- 当安装、移动或打开该产品或连接设备的外盖时，请按照下表所述来连接或断开电缆的连接。

要连接	要断开连接
<ol style="list-style-type: none">1. 切断所有电源。2. 首先将所有电缆连接到设备。3. 将信号电缆连接到接口。4. 将电源线连接到插座。5. 开启设备。	<ol style="list-style-type: none">1. 切断所有电源。2. 首先从插座上拔出电源线。3. 从接口上拔出信号电缆。4. 从设备上拔出所有电缆。



警告：

更换锂电池时，请仅使用部件号为 33F8354 的电池或制造商推荐的同类电池。如果您的系统有包含锂电池的模块，请仅使用同一制造商生产的相同模块类型来替换该模块。该电池中含有锂，如果使用、操作或处理不当，可能会发生爆炸。

切勿：

- 投入或浸入水中
- 加热到 100°C (212°F) 以上
- 维修或拆卸

请按照当地法令或条例的要求处理电池。



警告：

安装激光产品（例如 CD-ROM、DVD-ROM 驱动器、光纤设备或发射设备）时，请注意以下声明：

- 请勿卸下外盖。卸下激光产品的外盖可能导致遭受激光辐射的危险。该设备内没有可维修的部件。
- 如果不按照此处指定的过程进行控制、调整或操作，则有可能导致遭受辐射的危险。



危险

某些激光产品包含嵌入式 3A 类或 3B 类激光二极管。请注意以下声明：

打开后有激光辐射。请勿注视光束，请勿直接用光学仪器查看，并请避免直接暴露在光束中。



≥18 千克 (37 磅)



≥32 千克 (70.5 磅)



≥55 千克 (121.2 磅)

警告：
抬起时请采取安全措施。



警告：
设备上的电源控制按钮和电源上的电源开关不会切断供给该设备的电流。该设备还可能有多条电源线。要切断该设备的所有电流，请确保所有电源线都与电源断开连接。



危險

電源、電話及通訊纜線上的電流都具有危險性。

若要避免觸電危險：

- 請勿在雷雨期間，連接或拔除纜線、執行安裝、維護或重新配置本產品。
- 將所有電源線連接到正確配線及接地的電源插座。
- 任何與本產品連接的設備都必須連接到配線妥當的電源插座。
- 請盡可能用單手連接或拔除信號線。
- 發生火災、水災或結構損害時，絕對不要開啟任何設備。
- 除非在安裝及配置程序中另有指示，否則在開啟裝置機蓋之前，請拔掉連接的電源線、電信系統、網路及數據機。
- 安裝、移動或開啟本產品或附屬裝置的機蓋時，請遵循下列說明連接及拔掉纜線。

連線	切斷連線
<ol style="list-style-type: none">1. 關閉所有開關。2. 首先，連接所有接線到裝置。3. 連接信號線到接頭。4. 連接電源線到插座。5. 開啟裝置。	<ol style="list-style-type: none">1. 關閉所有開關。2. 首先，拔掉插座上的電源線。3. 拔掉接頭上的信號線。4. 拔掉裝置上所有接線。



警告：

更換鋰電池時，請僅使用產品編號 **33F8354** 或製造商所建議的同類型電池。
如果您的系統中含有鋰電池模組，請僅使用同一家製造商所生產的相同模組進行更換。
如果未以正確方式使用、處理或棄置含鋰的電池，會有爆炸的危險。
請勿：

- 沾溼或浸入水中
 - 置於 **100C (212F)** 以上的高溫環境
 - 修理或拆開
- 請按照各地區有關廢棄電池的法令和規定處理舊電池。



警告：

- 請勿移除機蓋。移除雷射產品的機蓋，可能會導致暴露在危險的雷射輻射中。裝置內部並無可自行維修的零件。
- 利用或執行非本文中所指定的控制、調整及執行程序，可能會導致危險的輻射外洩。



危險

部分雷射產品含有內嵌式 **Class 3A** 或 **Class 3B** 雷射二極體。請注意下列事項：
在開啟光碟機時，會發生雷射輻射。請勿直視光束或用光學儀器直接檢視，並避免直接暴露在光束中。





≥ 18 公斤 (37 磅)



≥ 32 公斤 (70.5 磅)

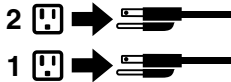


≥ 55 公斤 (121.2 磅)

警告：
搬運時請注意安全。



警告：
裝置上的電源控制按鈕及電源供應器上的電源開關，無法關閉裝置所產生的電流。
該裝置可能有多條電源線。若要除去裝置流出的所有電流，請確認已切斷所有電源線的電源。



DANGER

Le courant électrique provenant de l'alimentation, du téléphone et des câbles de transmission peut présenter un danger.

Pour éviter tout risque de choc électrique :

- Ne manipulez aucun câble et n'effectuez aucune opération d'installation, d'entretien ou de reconfiguration de ce produit au cours d'un orage.
- Branchez tous les cordons d'alimentation sur un socle de prise de courant correctement câblé et mis à la terre.
- Branchez sur des socles de prise de courant correctement câblés tout équipement connecté à ce produit.
- Lorsque cela est possible, n'utilisez qu'une seule main pour connecter ou déconnecter les câbles d'interface.
- Ne mettez jamais un équipement sous tension en cas d'incendie ou d'inondation, ou en présence de dommages matériels.
- Avant de retirer les carters de l'unité, mettez celle-ci hors tension et déconnectez ses cordons d'alimentation, ainsi que les câbles qui la relient aux réseaux, aux systèmes de télécommunication et aux modems (sauf instruction contraire mentionnée dans les procédures d'installation et de configuration).
- Lorsque vous installez, que vous déplacez, ou que vous manipulez le présent produit ou des périphériques qui lui sont raccordés, reportez-vous aux instructions ci-dessous pour connecter et déconnecter les différents cordons.

Connexion	Déconnexion
<ol style="list-style-type: none"> 1. Mettez les unités HORS TENSION. 2. Commencez par brancher tous les cordons sur les unités. 3. Branchez les câbles d'interface sur des connecteurs. 4. Branchez les cordons d'alimentation sur des prises. 5. Mettez les unités SOUS TENSION. 	<ol style="list-style-type: none"> 1. Mettez les unités HORS TENSION. 2. Débranchez les cordons d'alimentation des prises. 3. Débranchez les câbles d'interface des connecteurs. 4. Débranchez tous les câbles des unités.



ATTENTION:

Remplacer la pile au lithium usagée par une pile de référence identique exclusivement, (référence 45C1566), ou suivre les instructions du fabricant qui en définit les équivalences. Si votre système est doté d'un module contenant une pile au lithium, vous devez le remplacer uniquement par un module identique, produit par le même fabricant. La pile contient du lithium et peut exploser en cas de mauvaise utilisation, de mauvaise manipulation ou de mise au rebut inappropriée.

Ne pas :

- la jeter à l'eau,
- l'exposer à des températures supérieures à 100°C,
- chercher à la réparer ou à la démonter.

Ne pas mettre la pile à la poubelle. Pour la mise au rebut, se reporter à la réglementation en vigueur.



ATTENTION:

Si des produits à laser (tels que des unités de CD-ROM, de DVD-ROM, des unités à fibres optiques, ou des émetteurs) sont installés, prenez connaissance des informations suivantes :

- Ne retirez pas le carter. En ouvrant l'unité de CD-ROM ou de DVD-ROM, vous vous exposez au rayonnement dangereux du laser. Aucune pièce de l'unité n'est réparable.
- Pour éviter tout risque d'exposition au rayon laser, respectez les consignes de réglage et d'utilisation des commandes, ainsi que les procédures décrites dans le présent manuel.



DANGER

Certains produits à laser contiennent une diode à laser intégrée de classe 3A ou 3B. Prenez connaissance des informations suivantes:

Rayonnement laser lorsque le carter est ouvert. Evitez toute exposition directe au rayon laser. Evitez de regarder fixement le faisceau ou de l'observer à l'aide d'instruments optiques.



≥18 kg (37 lbs)



≥32 kg (70.5 lbs)



≥55 kg (121.2 lbs)

ATTENTION:

Soulevez la machine avec précaution.



ATTENTION:

L'interrupteur de contrôle d'alimentation de l'unité et l'interrupteur dubloc d'alimentation ne coupent pas le courant électrique alimentant l'unité. En outre, le système peut être équipé de plusieurs cordons d'alimentation. Pour mettre l'unité hors tension, vous devez déconnecter tous les cordons de la source d'alimentation.



VORSICHT

An Netz-, Telefon- und Datenleitungen können gefährliche Spannungen anliegen.

Aus Sicherheitsgründen:

- Bei Gewitter an diesem Gerät keine Kabel anschließen oder lösen. Ferner keine Installations-, Wartungs- oder Rekonfigurationsarbeiten durchführen.
- Gerät nur an eine Schutzkontaktsteckdose mit ordnungsgemäß geerdetem Schutzkontakt anschließen.
- Alle angeschlossenen Geräte ebenfalls an Schutzkontaktsteckdosen mit ordnungsgemäß geerdetem Schutzkontakt anschließen.
- Die Signalkabel nach Möglichkeit einhändig anschließen oder lösen, um einen Stromschlag durch Berühren von Oberflächen mit unterschiedlichem elektrischem Potenzial zu vermeiden.
- Geräte niemals einschalten, wenn Hinweise auf Feuer, Wasser oder Gebäudeschäden vorliegen.

- Die Verbindung zu den angeschlossenen Netzkabeln, Telekommunikationssystemen, Netzwerken und Modems ist vor dem Öffnen des Gehäuses zu unterbrechen, sofern in den Installations- und Konfigurationsprozeduren keine anders lautenden Anweisungen enthalten sind.
- Zum Installieren, Transportieren und Öffnen der Abdeckungen des Computers oder der angeschlossenen Einheiten die Kabel gemäß der folgenden Tabelle anschließen und abziehen.

Zum Anschließen der Kabel gehen Sie wie folgt vor	Zum Abziehen der Kabel gehen Sie wie folgt vor
1. Schalten Sie alle Einheiten AUS. 2. Schließen Sie erst alle Kabel an die Einheiten an. 3. Schließen Sie die Signalkabel an die Buchsen an. 4. Schließen Sie die Netzkabel an die Steckdose an. 5. Schalten Sie die Einheit EIN.	1. Schalten Sie alle Einheiten AUS. 2. Ziehen Sie zuerst alle Netzkabel aus den Netzsteckdosen. 3. Ziehen Sie die Signalkabel aus den Buchsen. 4. Ziehen Sie alle Kabel von den Einheiten ab.



CAUTION:

Eine verbrauchte Lithiumbatterie nur durch eine Batterie mit der Teilenummer 45C1566 oder eine gleichwertige, vom Hersteller empfohlene Batterie ersetzen. Enthält das System ein Modul mit einer Lithiumbatterie, dieses nur durch ein Modul desselben Typs und von demselben Hersteller ersetzen. Die Batterie enthält Lithium und kann bei unsachgemäßer Verwendung, Handhabung oder Entsorgung explodieren.

Die Batterie nicht:

- mit Wasser in Berührung bringen.
- über 100 C erhitzen.
- reparieren oder zerlegen.

Die örtlichen Bestimmungen für die Entsorgung von Sondermüll beachten.



ACHTUNG:

Bei der Installation von Lasergeräten (wie CD-ROM-Laufwerken, DVD- aufwerken, Einheiten mit Lichtwellenleitertechnik oder Sendern) Folgendes beachten:

- Die Abdeckungen nicht entfernen. Durch Entfernen der Abdeckungen des Lasergeräts können gefährliche Laserstrahlungen freigesetzt werden. Das Gerät enthält keine zu wartenden Teile.
- Werden Steuerelemente, Einstellungen oder Durchführungen von Prozeduren anders als hier angegeben verwendet, kann gefährliche Laserstrahlung auftreten.



VORSICHT

Einige Lasergeräte enthalten eine Laserdiode der Klasse 3A oder 3B. Beachten Sie Folgendes:

Laserstrahlung bei geöffneter Verkleidung. Nicht in den Strahl blicken. Keine Lupen oder Spiegel verwenden. Strahlungsbereich meiden.



≥18 kg (37 lbs)



≥32 kg (70.5 lbs)



≥55 kg (121.2 lbs)

ACHTUNG:

Arbeitsschutzrichtlinien beim Anheben der Maschine beachten.



ACHTUNG:

Mit dem Netzschalter an der Einheit und am Netzteil wird die Stromversorgung für die Einheit nicht unterbrochen. Die Einheit kann auch mit mehreren Netzkabeln ausgestattet sein. Um die Stromversorgung für die Einheit vollständig zu unterbrechen, müssen alle zum Gerät führenden Netzkabel vom Netz getrennt werden.



סכנה

זרם חשמלי המועבר בכבלי חשמל, טלפון ותקשורת הוא מסוכן.

כדי להימנע מסכנת התחשמלות:

- אל תחברו או תנתקו כבלים, ואל תבצעו פעולת התקנה, תחזוקה או שינוי תצורה במוצר זה במהלך סופת ברקים.
- חברו את כל כבלי החשמל לשקע חשמל מחווט ומארק כהלכה.
- חברו כל ציוד שיחובר למוצר זה לשקעי חשמל מחוטים כהלכה.
- במידת האפשר, השתמשו ביד אחת בלבד לחיבור או לניתוק של כבלי אותות.
- לעולם אל תפעילו ציוד כלשהו כאשר יש עדות לנזק מבני או לנזק כתוצאה מאש או ממים.
- נתקו את כבלי החשמל, מערכות התקשורת, התקני הרשת והמודמים המחוברים לפני פתיחת כיסויי ההתקן, אלא אם הליכי ההתקנה וקביעת התצורה מורים אחרת.
- בעת התקנה, העברה או פתיחת כיסויים במוצר זה או בהתקנים המחוברים, חברו ונתקו את הכבלים כמתואר בטבלה שלהלן.

כדי לחבר	כדי לנתק
1. כבו הכל.	1. כבו הכל.
2. ראשית, חברו את כל הכבלים להתקנים.	2. ראשית, נתקו את כבלי החשמל מהשקעים.
3. חברו את כבלי האותות למחברים.	3. נתקו את כבלי האותות מהמחברים.
4. חברו את כבלי החשמל לשקעים.	4. הסירו את כל הכבלים מההתקנים.
5. הפעילו את ההתקן.	



זהירות:

בעת החלפת סוללת הליתיום, השתמשו רק בסוללה בעלת מק"ט 33F8354 או בסוג תואם שהומלץ על ידי היצרן. אם המערכת כוללת מודול המכיל סוללת ליתיום, החליפו אותו רק במודול מאותו סוג ומתוצרת אותו יצרן. הסוללה מכילה ליתיום, ועלולה להתפוצץ אם לא משתמשים ומטפלים בה או משליכים אותה כיאור.

לעולם:

- אל תטבלו במים
 - אל תחממו לטמפרטורה הגבוהה מ-100°C (212°F)
 - אל תתקנו או תפרקו
- השליכו את הסוללה כנדרש לפי התקנות והחוקים המקומיים.



זהירות:

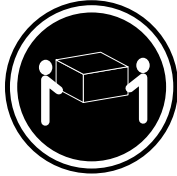
בעת התקנת מוצרי לייזר (כגון כונני תקליטורים ו-DVD), התקני סיב אופטי או משדרים), שימו לב לאזהרות הבאות:

- אל תסירו את הכיסויים. הסרת הכיסויים של מוצר הלייזר עלולה לגרום לחשיפה לקרינת לייזר מסוכנת. אין חלקים ברי טיפול בתוך ההתקן.
- שינויים, שימוש בבקורות או ביצוע הליכים אחרים מאלה המתוארים כאן, עלולים לגרום לחשיפה לקרינה מסוכנת.



סכנה

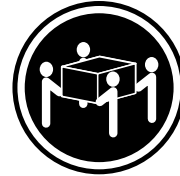
מוצרי לייזר מסוימים מכילים דיודת לייזר מסוג Class 3A או Class 3B. שימו לב לאזהרה הבאה:
כאשר הוא פתוח, המוצר פולט קרינת לייזר. אל תביטו ישירות בקרן, אל תביטו ישירות בעזרת ציוד אופטי,
והימענו מחשיפה לקרן.



$18 \leq$ ק"ג (37 ליב')



$32 \leq$ ק"ג (70.5 ליב')



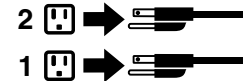
$55 \leq$ ק"ג (121.2 ליב')

זהירות:
השתמשו בהליכים
הנאותים בעת
הרמת הציוד.



זהירות:

לחצן ההפעלה של ההתקן ומתג ההפעלה של ספק החשמל אינם מפסיקים את זרם החשמל המסופק להתקן.
בנוסף, ההתקן עשוי לכלול יותר מכבל חשמל אחד. כדי לסלק את כל הזרם החשמלי מההתקן,
ודאו שכל כבלי החשמל מנותקים ממקור החשמל.



PERICOLO

La corrente elettrica proveniente dai cavi di alimentazione, del telefono e di comunicazione può essere pericolosa.

Per evitare il rischio di scosse elettriche:

- **Non collegare o scollegare qualsiasi cavo oppure effettuare l'installazione, la manutenzione o la riconfigurazione del prodotto durante un temporale.**
- **Collegare tutti i fili elettrici a una presa di alimentazione correttamente cablata e dotata di messa a terra.**
- **Collegare alle prese elettriche appropriate tutte le apparecchiature che verranno utilizzate per questo prodotto.**

- Se possibile, utilizzare solo una mano per collegare o scollegare i cavi di segnale.
- Non accendere assolutamente apparecchiature in presenza di incendi, perdite d'acqua o danno strutturale.
- Scollegare i cavi di alimentazione, i sistemi di telecomunicazione, le reti e il modem prima di aprire i coperchi del dispositivo, salvo istruzioni contrarie relative alle procedure di installazione e configurazione.
- Collegare e scollegare i cavi come descritto nella seguente tabella quando vengono effettuate operazioni di installazione, spostamento o apertura dei coperchi di questo prodotto o delle unità collegate.

Per collegarsi	Per scollegarsi
1. SPEGNERE le apparecchiature. 2. Innanzitutto, collegare tutti i cavi alle unità. 3. Collegare i cavi di segnale ai connettori. 4. Collegare i cavi di alimentazione alla presa. 5. Accendere l'unità.	1. SPEGNERE le apparecchiature. 2. Innanzitutto, rimuovere i cavi di alimentazione dalla presa. 3. Rimuovere i cavi di segnale dai connettori. 4. Rimuovere tutti i cavi dalle unità.



ATTENZIONE:

Quando si sostituisce la batteria al litio, utilizzare solo il Numero parte 45C1566 o un tipo di batteria equivalente consigliato dal produttore. Se sul sistema è presente un modulo che contiene una batteria al litio, sostituirlo solo con un tipo di modulo dello stesso tipo della stessa casa di produzione. La batteria contiene litio e può esplodere se usata, maneggiata o smaltita in modo non corretto.

Non:

- Gettare o immergere la batteria nell'acqua
- Riscaldarla ad una temperatura superiore ai 100 gradi C (212 gradi F)
- Smontarla, ricaricarla o tentare di ripararla

Le batterie usate vanno smaltite in accordo alla normativa in vigore (DPR 915/82 e successive disposizioni e disposizioni locali).



ATTENZIONE:

Quando vengono installati prodotti laser (quali CD-ROM, unità DVD-ROM, unità a fibre ottiche o trasmettenti), tener presente quanto segue:

- Non rimuovere gli sportelli. L'apertura di un'unità laser può determinare l'esposizione a radiazioni laser pericolose. All'interno dell'unità non vi sono parti su cui effettuare l'assistenza tecnica.
- L'utilizzo di controlli, regolazioni o l'esecuzione di procedure non descritti nel presente manuale possono provocare l'esposizione a radiazioni pericolose.



PERICOLO

Alcune unità laser contengono un diodo laser di Classe 3A o Classe 3B. Tener presente quanto segue:

Aperto l'unità vengono emesse radiazioni laser. Non fissare il fascio, non guardarlo direttamente con strumenti ottici ed evitare l'esposizione al fascio.



≥18 kg (37 lbs)



≥32 kg (70.5 lbs)



≥55 kg (121.2 lbs)

ATTENZIONE:

Prestare attenzione nel sollevare l'apparecchiatura.



ATTENZIONE:

Il pulsante di controllo dell'alimentazione presente sull'unità e l'interruttore dell'alimentatore non disattivano l'alimentazione corrente fornita all'unità. E' possibile che l'unità disponga di più cavi di alimentazione. Per disattivare l'alimentazione dall'unità, accertarsi che tutti i cavi di alimentazione siano scollegati dalla fonte di alimentazione.



위험

전원, 전화, 통신 케이블의 전류는 위험합니다.

감전의 위험을 피하려면 다음과 같이 하십시오.

- 번개가 치는 날에는 케이블을 연결 또는 분리하거나 본 제품을 설치, 보수, 재구성하지 마십시오.
- 모든 전원 코드는 올바르게 접지된 전기 콘센트에 연결하십시오.
- 본 제품에 연결될 장치는 올바르게 배선된 콘센트에 연결하십시오.
- 신호 케이블을 연결 또는 분리할 때 가능하면 한 손만을 사용하십시오.
- 불 또는 물로 인한 손상이나 구조적인 손상이 있을 경우 장치의 전원을 절대 켜지 마십시오.
- 설치 및 구성 과정에 별도의 지시 사항이 없는 경우, 장치의 덮개를 열기 전에 연결된 전원 코드, 원격 통신 시스템, 네트워크, 모뎀을 분리하십시오.
- 본 제품이나 연결된 장치를 설치, 이동하거나 덮개를 열 때 다음 표와 같은 순서로 케이블을 연결하거나 분리하십시오.

연결할 때:	분리할 때:
<ol style="list-style-type: none">1. 모든 장치의 전원을 끄십시오.2. 먼저 모든 케이블을 장치에 연결하십시오.3. 커넥터에 신호 케이블을 연결하십시오.4. 콘센트에 전원 코드를 연결하십시오.5. 장치의 전원을 켜십시오.	<ol style="list-style-type: none">1. 모든 장치의 전원을 끄십시오.2. 먼저 콘센트에서 전원 코드를 분리하십시오.3. 커넥터에서 신호 케이블을 분리하십시오.4. 장치에서 모든 케이블을 분리하십시오.



주의:

배터리를 교환할 때는 Part Number 33F8354 또는 제조업체에서 지정한 동일한 종류의 제품을 사용하십시오. 사용자의 시스템이 리튬 배터리를 포함하는 모듈일 경우, 동일한 제조업체에서 동일한 모듈 유형으로 생산된 제품으로 교체하십시오. 배터리에는 리튬이 함유되어 있어 잘못 사용, 취급 또는 폐기할 경우 폭발의 위험이 있습니다.

사고를 방지하려면 다음 사항을 준수하십시오.

- 배터리를 물 속에 던지거나 침수시키지 마십시오.
- 100°C (212°F) 이상 가열하지 마십시오.
- 수리하거나 분해하지 마십시오.

배터리를 폐기할 때는 법령 또는 회사의 안전 수칙에 따라 폐기하십시오.



주의:

CD-ROM, DVD-ROM 장치, 광섬유 장치 또는 송신 장치와 같은 레이저 제품을 설치할 때, 다음과 같은 취급 주의사항을 참고하십시오.

- 덮개를 열지 마십시오. 덮개를 열면 레이저 복사 에너지에 노출될 위험이 있습니다. 장치 내부에는 사용자가 조정하거나 수리할 수 있는 부품이 없습니다.
- 규정된 것 이외의 절차 수행, 제어 조정 등의 행위로 인해 해로운 레이저 복사에 노출될 수 있습니다.



위험

일부 장비에는 임베디드 클래스 3A 또는 클래스 3B 레이저 다이오드가 있습니다. 다음 주의사항에 유의하십시오.

드라이브가 열리면 레이저 복사 에너지가 방출됩니다. 광선이 눈에 직접 쏘이지 않도록 하십시오. 나안 또는 광학 기구를 착용한 상태에서 광선을 직접 바라보지 않도록 하십시오.



≥ 18 kg (37 lbs)



≥ 32 kg (70.5 lbs)



≥ 55 kg (121.2 lbs)

주의:
제품을 들어 올릴 때
안전 규제를 따르십시오.



주의:
장치의 전원 제어 버튼 및 전원 공급 장치의 전원 스위치를 사용하여 장치에 공급되는 전기를 차단하지 마십시오.
장치는 둘 이상의 코드를 가지고 있을 수 있습니다. 장치에서 모든 전원을 차단하려면 콘센트에서 코드가 모두
분리되어 있는지 확인하십시오.



PELIGRO

La corriente eléctrica procedente de cables de alimentación, teléfonos y cables de comunicación puede ser peligrosa.

Para evitar el riesgo de descarga eléctrica:

- No conecte ni desconecte los cables ni realice ninguna tarea de instalación, mantenimiento o reconfiguración de este producto durante una tormenta eléctrica.
- Conecte todos los cables de alimentación a tomas de corriente debidamente cableadas y conectadas a tierra.
- Cualquier equipo que se conecte a este producto también debe conectarse a tomas de corriente debidamente cableadas.
- Siempre que sea posible, utilice una sola mano para conectar o desconectar los cables de señal.
- No encienda nunca un equipo cuando hay señales de fuego, agua o daños estructurales.

- **Desconecte los cables de alimentación, los sistemas de telecomunicaciones, las redes y los módems conectados antes de abrir las cubiertas de los dispositivos, a menos que se indique lo contrario en los procedimientos de instalación y configuración.**
- **Conecte y desconecte los cables, como se describe en la tabla siguiente, cuando instale, mueva o abra las cubiertas de este producto o de los dispositivos conectados.**

Para conectar	Para desconectar
1. APÁGUELO todo. 2. En primer lugar, conecte todos los cables a los dispositivos. 3. Conecte los cables de señal a los conectores. 4. Enchufe los cables de alimentación a las tomas de corriente. 5. Encienda el dispositivo.	1. APÁGUELO todo. 2. En primer lugar, desenchufe los cables de alimentación de las tomas de corriente. 3. Desconecte los cables de señal de los conectores. 4. Desconecte todos los cables de los dispositivos.



PRECAUCIÓN:

Quando sustituya una batería de litio, utilice solamente una batería número de pieza 45C1566 u otra de tipo equivalente recomendada por el fabricante. Si su sistema dispone de un módulo que contiene una batería de litio, reemplácelo sólo con el mismo tipo de módulo, del mismo fabricante. La batería contiene litio y puede explotar si no se utiliza, manipula o desecha correctamente.

No debe:

- Arrojarla al agua o sumergirla en ella
- Exponerla a temperaturas superiores a 100°C (212°F)
- Repararla o desmontarla

Deshágase de la batería según especifiquen las leyes o normas locales.



PRECAUCIÓN:

Quando haya productos láser (como unidades de CD-ROM, unidades de DVD, dispositivos de fibra óptica o transmisores) instalados, tenga en cuenta lo siguiente:

- No quite las cubiertas. Si quita las cubiertas del producto láser, podría quedar expuesto a radiación láser peligrosa. Dentro del dispositivo no existe ninguna pieza que requiera servicio técnico.
- Si usa controles o ajustes o realiza procedimientos que no sean los especificados aquí, podría exponerse a radiaciones peligrosas.



PELIGRO

Algunos productos láser tienen incorporado un diodo láser de clase 3A o clase 3B. Tenga en cuenta lo siguiente:

Cuando se abre, queda expuesto a radiación láser. No mire directamente al rayo láser, ni siquiera con instrumentos ópticos, y evite exponerse directamente al rayo láser.



≥18 kg (37 lbs)



≥32 kg (70.5 lbs)



≥55 kg (121.2 lbs)

PRECAUCIÓN:

Adopte procedimientos seguros al levantar el equipo.



PRECAUCIÓN:

El botón de control de alimentación del dispositivo y el interruptor de alimentación de la fuente de alimentación no desconectan la corriente eléctrica suministrada al dispositivo. Además, el dispositivo podría tener más de un cable de alimentación. Para suprimir toda la corriente eléctrica del dispositivo, asegúrese de que todos los cables de alimentación estén desconectados de la toma de corriente.



Chapter 3. General information

This chapter provides general information that applies to all machine types supported by this publication.

The ThinkVantage Productivity Center program

Use the ThinkVantage® Productivity Center program for general information about the use, operation, and maintenance of the computer. The ThinkVantage Productivity Center program also contains information to help solve problems and get repair service or other technical assistance. The ThinkVantage Productivity Center program is preinstalled on most ThinkCentre products.

Additional information resources

If you have Internet access, the most up-to-date information for your computer is available from the World Wide Web.

You can find the following information:

- CRU removal and installation instructions
- Publications
- Troubleshooting information
- Parts information
- Downloads and drivers
- Links to other useful sources of information

To access this information, go to <http://www.lenovo.com/support/>.

Specifications

This section lists the physical specifications for your computer.

Types 7066, 7098, 9352, 9359, 9482, 9487, 9622, 9704, 9794, 9859, 9785, 9807, 9952

This section lists the physical specifications for your computer.

Dimensions
Width: 325 mm (12.8 in.)
Height: 107 mm (4.21in.)
Depth: 410 mm (16.14 in.)
Weight
Maximum configuration as shipped: 7.3 kg (16 lbs)

Types 7065, 7096, 9351, 9358, 9438, 9481, 9489, 9703, 9784, 9788, 9792, 9853, 9949

This section lists the physical specifications.

Dimensions

Width: 331 mm (13 in.)

Height: 104 mm (4.1in.)

Depth: 412 mm (16.2 in.)

Weight

Maximum configuration as shipped: 8.8 kg (19.4 lbs)

Types 7064, 7094, 9349, 9356, 9357, 9439, 9488, 9702, 9708, 9709, 9789, 9851, 9948

This section lists the physical specifications.

Dimensions

Width: 175mm (6.9 in.)

Height: 402 mm (15.8in.)

Depth: 440 mm (17.3 in.)

Weight

Maximum configuration as shipped: 11 kg (24 lbs)

For all machine types

Environment

- Air temperature:
 - Operating: 10° to 35°C (50° to 95°F)
 - Non-operating: 10° to 60°C (50° to 140°F)
- Humidity:
 - Operating: 10% to 80% (10% per hour, non condensing)
 - Non-operating: 10% to 90% (10% per hour)
 - Transit: 0% to 90% (10% per hour)
- Maximum altitude:
 - Operating: -50 to 10,000 ft (-15.2 to 3048 m)
 - Non-operating: -50 to 35,000 ft (-15.2 to 10,668)

Electrical input

- Input voltage:
 - Low range:
 - Minimum: 100 V ac
 - Maximum: 127 V ac
 - Input frequency range: 50/60 Hz
 - Voltage switch setting: 115 V ac
 - High range:
 - Minimum: 200 V ac
 - Maximum: 240 V ac
 - Input frequency range: 50/60 Hz
 - Voltage switch setting: 230 V ac

Chapter 4. General Checkout

Attention

The drives in the computer you are servicing might have been rearranged or the drive startup sequence changed. Be extremely careful during write operations such as copying, saving, or formatting. Data or programs can be overwritten if you select an incorrect drive.

General error messages appear if a problem or conflict is found by an application program, the operating system, or both. For an explanation of these messages, refer to the information supplied with that software package.

Before replacing any FRUs, ensure that the latest level of BIOS is installed on the system. A down-level BIOS might cause false errors and unnecessary replacement of the system board. For more information on how to determine and obtain the latest level BIOS, see “BIOS levels” on page 775.

Use the following procedure to help determine the cause of the problem:

1. Power-off the computer and all external devices.
2. Check all cables and power cords.
3. Set all display controls to the middle position.
4. Power-on all external devices.
5. Power-on the computer.
 - Look for displayed error codes
 - Listen for beep codes
 - Look for readable instructions or a main menu on the display.If you **did not** receive the correct response, proceed to step 6 on page 33.
If you **do** receive the correct response, proceed to step 7 on page 33.
6. Look at the following conditions and follow the instructions:
 - If you hear beep codes during POST, go to “Beep symptoms” on page 63.
 - If the computer displays a POST error, go to “POST error codes” on page 64.
 - If the computer hangs and no error is displayed, continue at step 7 on page 33.
7. Run the Diagnostic programs. See Chapter 5 “Diagnostics” on page 35.
 - If you receive an error, replace the part that the diagnostic program calls out or go to “Diagnostic error codes” on page 46.
 - If the test stops and you cannot continue, replace the last device tested.

Problem determination tips

Due to the variety of hardware and software combinations that can be encountered, use the following information to assist you in problem determination. If possible, have this information available when requesting assistance from Service Support and Engineering functions.

- Machine type and model
- Processor or hard disk upgrades
- Failure symptom
 - Do diagnostics indicate a failure?
 - What, when, where, single, or multiple systems?
 - Is the failure repeatable?

- Has this configuration ever worked?
- If it has been working, what changes were made prior to it failing?
- Is this the original reported failure?
- Diagnostics version
 - Type and version level
- Hardware configuration
 - Print (print screen) configuration currently in use
 - BIOS level
- Operating system software
 - Type and version level

Notes: To eliminate confusion, identical systems are considered identical only if they:

1. Are the exact machine type and models
2. Have the same BIOS level
3. Have the same adapters/attachments in the same locations
4. Have the same address jumpers/terminators/cabling
5. Have the same software versions and levels
6. Have the same Diagnostic Diskettes (version)
7. Have the same configuration options set in the system
8. Have the same setup for the operating system control files

Comparing the configuration and software set-up between “working and non-working” systems will often lead to problem resolution.

Chapter 5. Diagnostics

Diagnostic programs are used to test hardware components of your computer and report operating-system-controlled settings that can cause hardware failures. There are two diagnostic programs preinstalled on your computer to help you diagnose problems:

- PC-Doctor for Windows (used when diagnosing problems while running the Windows operating system)
- PC-Doctor for Windows PE (used when your Windows operating system will not start)

Notes:

1. You can also download the latest version of the PC-Doctor for Windows and PC-Doctor for DOS diagnostic programs from <http://www.lenovo.com/support/>.
2. If you are unable to isolate and repair the problem yourself by running the applicable version of PC-Doctor, click the Save Button in the PC-Doctor-log-file display. You will need to have all problem-related log files available when you speak to a Lenovo technical support representative.

PC-Doctor for Windows

PC-Doctor for Windows is a diagnostic program that works through the Windows operating system. The PC-Doctor for Windows diagnostic program enables you to view symptoms and solutions for computer problems, access the Lenovo troubleshooting center, update system drivers, and review system information.

To run PC-Doctor for Windows, open the Start menu from the Windows desktop, select **All Programs**, select **PC-Doctor for Windows**, and click **PC-Doctor for Windows**. Follow the instructions on the screen. For additional information about running the diagnostic program, refer to the PC-Doctor for Windows help system.

If you still suspect a problem after PC-Doctor for Windows runs successfully, run PC-Doctor for DOS or PC-Doctor for Windows PE to help you diagnose the computer problem.

PC Doctor for Windows also has problem determination aids that determine software and usage problems.

PC-Doctor for Windows PE

The PC-Doctor for Windows PE diagnostic program is part of the Rescue and Recovery® workspace on each Lenovo computer. Use PC-Doctor for Windows PE, if you are unable to start the Windows operating system or if PC-Doctor for Windows has not been successful in isolating a possible problem.

Running diagnostics from the Rescue and Recovery workspace

You can run the PC-Doctor for Windows PE diagnostic program from the Rescue and Recovery workspace. To run diagnostics from the Rescue and Recovery workspace, use the following procedure:

1. Shut down the operating system and turn off the computer.
2. Repeatedly press and release the F11 key as you turn on the computer.
3. When you hear beeps or see a logo screen, stop pressing the F11 key. The Rescue and Recovery workspace opens.
4. From the Rescue and Recovery workspace, select **Diagnose hardware**.
5. The diagnostic program opens automatically. Select the diagnostic test you want to run. Press the F1 key for additional help.

6. Follow the instructions on the screen.

Note: Rescue media includes PC-Doctor for Windows PE. For more information about rescue media, see the *User Guide* for the computer.

PC-Doctor for DOS

Use PC-Doctor for DOS, if you are unable to start the Windows operating system or if PC-Doctor for Windows has not been successful in isolating a possible problem. You can run PC-Doctor for DOS from a diagnostic CD image or diagnostic diskettes that have been created.

Note: It is important to create a diagnostic CD image or diagnostic diskettes in case PC-Doctor for Windows PE cannot be run from the Rescue and Recovery workspace.

Creating a diagnostic CD image

To create a diagnostic CD image, download a self-starting bootable CD image (known as an .iso image) of the diagnostic program from <http://www.lenovo.com/support/>. After you download the image, you can create the CD using any CD burning software.

If the computer does not have a CD burner or you do not have Internet access, see “Creating diagnostic diskettes” on page 36.

Creating diagnostic diskettes

To create diagnostic diskettes, download the PC-Doctor for DOS diagnostic program from <http://www.lenovo.com/support/> onto two blank, formatted diskettes.

If you do not have Internet access, create the diagnostic diskettes using the following procedure:

Note: You will need a diskette drive on the computer or a USB diskette drive to complete this procedure.

1. Shut down the operating system and turn off the computer.
2. If you are using a USB diskette drive, plug it into the computer.
3. Repeatedly press and release the F11 key as you turn on the computer.
4. When you hear beeps or see a logo screen, stop pressing the F11 key. The Rescue and Recovery workspace opens.

Note: For some models, press the Esc key to enter Rescue and Recovery.

5. From the Rescue and Recovery workspace, select **Create diagnostic disks**.
6. Follow the instructions on the screen.
7. When prompted, insert a blank, formatted diskette into the diskette drive and continue to follow the instructions on the screen.
8. When the operation is complete, remove the diskette and click **Quit**.
9. Insert another blank, formatted diskette into the diskette drive and continue to follow the instructions on the screen.
10. When the operation is complete, remove the diskette and click **Quit**.

Running diagnostics from the CD or diskettes

To run diagnostics from the diagnostic CD image or diagnostic diskettes that you created, use the following procedure:

1. Make sure the computer is turned off.

2. If you are running diagnostics from diskettes using a USB diskette drive, plug in the USB device.
3. Insert the CD into the optical drive or the first diagnostic diskette into the diskette drive.
4. Restart the computer.

Note: If the diagnostic program does not start, you might not have your optical drive or diskette drive set as a startable device. See “Selecting a startup device” on page 42 for instructions on how to change the startup device.

5. When the diagnostics program opens, follow the instructions on the screen.

Note: If you are running diagnostics from a diskette, when prompted, remove the first diskette and insert the second diskette.

6. When the program finishes, be sure to remove the CD or diskette from the drive.
7. Select the diagnostic test you want to run. Press the F1 key for additional help.

Navigating through the diagnostics programs

Use the cursor movement keys to navigate within the menus.

- The **Enter** key is used to select a menu item.
- The **Esc** key is used to back up to the previous menu.
- For online help select **F1**.

Running tests

There are four ways to run the diagnostic tests.

- Using the cursor movement keys, highlight **Run Normal Test** or **Run Quick Test** from the Diagnostics menu and then press **Enter**. This automatically runs a pre-defined group of tests from each test category. **Run Normal Test** runs a more extensive set of tests than does **Run Quick Test** and takes longer to complete.
- Press **F5** to automatically run all selected tests in all categories.
- From within a test category, press **Ctrl-Enter** to automatically run only the selected tests in that category.
- Using the cursor movement keys, highlight a single test within a test category, and then press **Enter**. This runs only that test.

Press **Esc** at any time to stop the testing process.

Test results (N/A, PASSED, FAILED, ABORTED) are displayed in the field beside the test description and in the test log. See “Viewing the test log” on page 38.

To select one or more tests, use the following procedure.

1. Open the corresponding test category.
2. Using the cursor movement keys, highlight the desired test.
3. Press the space bar. A selected test is marked by **>>**. Pressing the space bar again de-selects a test and removes the **>>**.
4. Repeat steps 2 and 3 above to select all desired tests.

Test results

Diagnostics test results produce the following error code format:

Function Code	Failure Type	DeviceID	Date	ChkDigits	Text
---------------	--------------	----------	------	-----------	------

- **Function Code:**
Represents the feature or function within the PC.
- **Failure Type:**
Represents the type of error encountered.
- **DeviceID:**
Contains the component's unit-ID which corresponds to either a fixed disk drive, removable media drive, serial or parallel port, processor, specific RIMM, or a device on the PCI bus.
- **Date:**
Contains the date when the diagnostic test was run. The date is retrieved from CMOS and displayed using the YYYYMMDD format.
- **ChkDigits:**
Contains a 2-digit check-digit value to ensure the following:
 - Diagnostics were run on the specified date.
 - Diagnostics were run on the specified computer.
 - The diagnostic error code is recorded correctly.
- **Text:**
Description of the error.

Note: See “Diagnostic error codes” on page 46 for error code listings.

Quick and Full erase - hard drive

The diagnostics program offers two hard drive format utilities:

- Quick Erase Hard Drive
- Full Erase Hard Drive

The Quick Erase Hard Drive provides a DOS utility that performs the following:

- Destroys the Master Boot Record (MBR) on the hard drive.
- Destroys all copies of the FAT Table on all partitions (both the master and backup).
- Destroys the partition table.
- Provides messages that warn the user that this is a non-recoverable process.

The Full Erase Hard Drive provides a DOS utility that performs the following:

- Performs all the steps in Quick Erase.
- Provides a DOS utility that writes random data to all sectors of the hard drive.
- Provides an estimate of time to completion along with a visual representation of completion status.
- Provides messages that warn the user about non-recoverable process.

Important: Make sure that all data is backed up before using the Quick or Full Erase functions.

To select the Quick Erase or Full Erase Hard Drive utility, use the following procedure:

1. Select the UTILITY option on the toolbar and press **Enter**.
2. Select either the QUICK ERASE or FULL ERASE HARD DISK option and follow the instructions.

Viewing the test log

Errors reported by the diagnostic test will be displayed by the program as a failed test.

To view details of a failure or to view a list of test results, use the following procedure from any test category screen:

1. Press **F3** to activate the log file.
2. Press **F3** again to save the file to diskette or press **F2** to print the file.

Chapter 6. Using the Setup Utility

The Setup Utility program is used to view and change the configuration settings of the computer, regardless of which operating system you are using. However, the operating-system settings might override any similar settings in the Setup Utility program.

Starting the Setup Utility program

To start the Setup Utility program, do the following:

1. If the computer is already on when you start this procedure, shut down the operating system and turn off the computer.
2. Press and hold the F1 key then turn on the computer. When you hear multiple beeps, release the F1 key.

Notes:

- a. If you are using a USB keyboard and the Setup Utility program does not display using this method, repeatedly press and release the F1 key rather than leaving it pressed when turning on the computer.
- b. If a user password or an administrator password has been set, the Setup Utility program menu is not displayed until you type your password. For more information, see “Using passwords” on page 41.

The Setup Utility might start automatically when POST detects that hardware has been removed or new hardware has been installed in the computer.

Viewing and changing settings

The Setup Utility program menu lists items that identify system configuration topics. To view or change settings, see “Starting the Setup Utility program” on page 41.

When working with the Setup Utility program menu, you must use the keyboard. The keys used to perform various tasks are displayed at the bottom of each screen.

Using passwords

By using the Setup Utility program, you can set passwords to prevent unauthorized persons from gaining access to the computer and data. See “Starting the Setup Utility program” on page 41. The following types of passwords are available:

- User Password
- Administrator Password

You do not have to set any passwords to use the computer. However, if you decide to set any passwords, read the following sections.

Password considerations

A password can be any combination of up to twelve characters (a-z and 0-9) and symbols. For security reasons, it is a good idea to use a strong password that cannot be easily compromised. Passwords should adhere to the following rules:

- Have at least seven characters in length
- Contain at least one alphabetic character, one numeric character, and one symbol

- Contain at least one of the following symbols: , . / ` ; ' []
- You can also use the space bar
- Setup Utility program and hard disk drive passwords are not case sensitive
- Not be your name or your user name
- Not be a common word or a common name
- Be significantly different from your previous password

User Password

When a User Password is set, the computer cannot be used until a valid password is typed from the keyboard.

Administrator Password

When an Administrator Password is set, it deters unauthorized persons from changing configuration settings. If you are responsible for maintaining the settings of several computers, you might want to set an Administrator Password.

After you set an Administrator Password, a password prompt is displayed each time you try to access the Setup Utility program.

If both the user and administrator passwords are set, you can type either password. However, to change any configuration settings, you must use your administrator password.

Setting, changing, and deleting a password

To set, change, or delete a password, do the following:

Note: A password can be any combination of up to twelve characters (A- Z, a-z, and 0-9). For more information, see “Password considerations” on page 41 .

1. Start the Setup Utility program (see “Starting the Setup Utility program” on page 41).
2. From the Setup Utility program menu, select **Security**.
3. Select **Set Passwords**. Read the information displayed on the right side of the screen.

Selecting a startup device

If the computer does not start up (boot) from a device such as the CD-ROM, diskette, or hard disk as expected, use one of the following procedures to select a startup device.

Selecting a temporary startup device

Use this procedure to startup from any boot device.

Note: Not all CDs, hard disks, and diskettes are bootable.

1. Turn off the computer.
2. Press and hold the F12 key then turn on the computer. When the Startup Device Menu appears, release the F12 key.

Note: If you are using a USB keyboard and the Startup Device Menu does not display using this method, repeatedly press and release the F12 key rather than leaving it pressed when turning on the computer.

3. Select the desired startup device from the Startup Device Menu and press Enter to begin.

Note: Selecting a startup device from the Startup Device menu does not permanently change the startup sequence.

Selecting or changing the startup device sequence

To view or permanently change the configured startup device sequence, do the following:

1. Start the Setup Utility program (see “Starting the Setup Utility program” on page 41).
2. Select **Startup**.
3. Select **Startup Sequence**. See the information displayed on the right side of the screen.
4. Select the devices for the Primary Startup Sequence, the Automatic Startup Sequence, and the Error Startup Sequence.
5. Select **Exit** from the Setup Utility menu and then **Save Settings** or **Save and exit the Setup Utility**.

If you have changed these settings and want to return to the default settings, select **Load Default Settings** on the Exit menu.

Advanced settings

On some computer models the Advanced settings menu includes a setting to Enable/Disable HyperThreading. This feature works only with HyperThreading-aware operating systems, such as Microsoft Windows XP and Windows Vista™. The default setting for HyperThreading is Enabled. However, if you select **Set Defaults** and are using an operating system other than Windows XP or Windows Vista, the computer performance might be degraded. Therefore, you should always set HyperThreading to Disabled unless you are sure your operating system supports HyperThreading.

Exiting from the Setup Utility program

When you finish viewing or changing settings, press Esc to return to the Setup Utility program menu (you might have to press Esc several times). If you want to save the new settings, select **Save & Exit Setup** before you exit. Otherwise, your changes will not be saved.

Chapter 7. Symptom-to-FRU Index

The Symptom-to-FRU index lists error symptoms and possible causes. The most likely cause is listed first. Always begin with Chapter 4 “General Checkout” on page 33. This index can also be used to help you decide which FRUs to have available when servicing a computer. If you are unable to correct the problem using this index, go to “Undetermined problems” on page 67.

Notes:

- If you have both an error message and an incorrect audio response, diagnose the error message first.
- If you cannot run the diagnostic tests or you get a diagnostic error code when running a test, but did receive a POST error message, diagnose the POST error message first.
- If you did not receive any error message, look for a description of your error symptoms in the first part of this index.

Hard disk drive boot error

A hard disk drive boot error (error codes 1962 and I999030X) can have the following causes.

Error	FRU/Action
The start-up drive is not in the boot sequence in configuration.	Check the configuration and ensure the start-up drive is in the boot sequence.
No operating system installed on the boot drive.	Install an operating system on the boot drive.
The boot sector on the start-up drive is corrupted.	The drive must be formatted, do the following: <ol style="list-style-type: none">1. Attempt to back-up the data on the failing hard disk drive.2. Using the operating systems programs, format the hard disk drive.
The drive is defective.	Replace the hard disk drive.

Power Supply Problems

If you suspect a power problem, use the following procedures.

Check/Verify	FRU/Action
Check the following for proper installation. <ul style="list-style-type: none">• Power Cord• On/Off Switch connector• On/Off Switch Power Supply connector• System Board Power Supply connectors• Microprocessor(s) connection	Reseat connectors
Check the power cord for continuity.	Power Cord
Check the power-on switch for continuity.	Power-on Switch

Diagnostic error codes

Refer to the following diagnostic error codes when using the diagnostic tests. See “Running tests” on page 37 for the specific type for information about the Diagnostic programs.

In the following index, *X* can represent any number.

Diagnostic Error Code	FRU/Action
000-000-XXX BIOS Test Passed	No action
000-002-XXX BIOS Timeout	<ol style="list-style-type: none"> 1. Flash the system. See “Updating (flashing) BIOS from a CD-ROM or diskette” on page 775 2. System board
000-024-XXX BIOS Addressing test failure	<ol style="list-style-type: none"> 1. Flash the system. See “Updating (flashing) BIOS from a CD-ROM or diskette” on page 775 2. System board
000-025-XXX BIOS Checksum Value error	<ol style="list-style-type: none"> 1. Flash the system. See “Updating (flashing) BIOS from a CD-ROM or diskette” on page 775 2. System board
000-026-XXX FLASH data error	<ol style="list-style-type: none"> 1. Flash the system. See “Updating (flashing) BIOS from a CD-ROM or diskette” on page 775 2. System board
000-027-XXX BIOS Configuration/Setup error	<ol style="list-style-type: none"> 1. Run Setup 2. Flash the system. See “Updating (flashing) BIOS from a CD-ROM or diskette” on page 775 3. System board
000-034-XXX BIOS Buffer Allocation failure	<ol style="list-style-type: none"> 1. Reboot the system 2. Flash the system. See “Updating (flashing) BIOS from a CD-ROM or diskette” on page 775 3. Run memory test 4. System board
000-035-XXX BIOS Reset Condition detected	<ol style="list-style-type: none"> 1. Flash the system. See “Updating (flashing) BIOS from a CD-ROM or diskette” on page 775 2. System board
000-036-XXX BIOS Register error	<ol style="list-style-type: none"> 1. Flash the system. See “Updating (flashing) BIOS from a CD-ROM or diskette” on page 775 2. System board
000-038-XXX BIOS Extension failure	<ol style="list-style-type: none"> 1. Flash the system. See “Updating (flashing) BIOS from a CD-ROM or diskette” on page 775 2. Adapter card 3. System board
000-039-XXX BIOS DMI data error	<ol style="list-style-type: none"> 1. Flash the system. See “Updating (flashing) BIOS from a CD-ROM or diskette” on page 775 2. System board
000-195-XXX BIOS Test aborted by user	Information only Re-start the test, if necessary
000-196-XXX BIOS test halt, error threshold exceeded	<ol style="list-style-type: none"> 1. Press F3 to review the log file 2. Re-start the test to reset the log file

Diagnostic Error Code	FRU/Action
000-197-XXX BIOS test warning	<ol style="list-style-type: none"> 1. Make sure the component that is called out is connected and/or enabled. See Chapter 6 “Diagnostics, Test and Recovery Information” on page 41 2. Re-run test 3. Replace the component that is called out in warning statement 4. Replace the component under test
000-198-XXX BIOS test aborted	<ol style="list-style-type: none"> 1. Make sure the component that is called out is connected and/or enabled. See Chapter 6 “Diagnostics, Test and Recovery Information” on page 41 2. Flash the system and retest. See “Updating (flashing) BIOS from a CD-ROM or diskette” on page 775 3. Go to “Undetermined problems” on page 67
000-199-XXX BIOS test failed, cause unknown	<ol style="list-style-type: none"> 1. Go to “Undetermined problems” on page 67 2. Flash the system and re-test 3. Replace component under function test
000-250-XXX BIOS APM failure	<ol style="list-style-type: none"> 1. Flash the system. See “Updating (flashing) BIOS from a CD-ROM or diskette” on page 775 2. System board
000-270-XXX BIOS ACPI failure	<ol style="list-style-type: none"> 1. Flash the system. See “Updating (flashing) BIOS from a CD-ROM or diskette” on page 775 2. System board
001-000-XXX System Test Passed	No action
001-00X-XXX System Error	System board
001-01X-XXX System Error	System board
001-024-XXX System Addressing test failure	System board
001-025-XXX System Checksum Value error	<ol style="list-style-type: none"> 1. Flash the system. See “Updating (flashing) BIOS from a CD-ROM or diskette” on page 775 2. System board
001-026-XXX System FLASH data error	<ol style="list-style-type: none"> 1. Flash the system. See “Updating (flashing) BIOS from a CD-ROM or diskette” on page 775 2. System board
001-027-XXX System Configuration/Setup error	<ol style="list-style-type: none"> 1. Run Setup 2. Flash the system. See “Updating (flashing) BIOS from a CD-ROM or diskette” on page 775 3. System board
001-032-XXX System Device Controller failure	System board
001-034-XXX System Device Buffer Allocation failure	<ol style="list-style-type: none"> 1. Reboot the system 2. Flash the system. See “Updating (flashing) BIOS from a CD-ROM or diskette” on page 775 3. Run memory test 4. System board
001-035-XXX System Device Reset condition detected	System board

Diagnostic Error Code	FRU/Action
001-036-XXX System Register error	System board
001-038-XXX System Extension failure	1. Adapter card 2. System board
001-039-XXX System DMI data structure error	1. Flash the system. See “Updating (flashing) BIOS from a CD-ROM or diskette” on page 775 2. System board
001-040-XXX System IRQ failure	1. Power-off/on system and re-test 2. System board
001-041-XXX System DMA failure	1. Power-off/on system and re-test 2. System board
001-195-XXX System Test aborted by user	Information only Re-start the test, if necessary
001-196-XXX System test halt, error threshold exceeded	1. Press F3 to review the log file 2. Re-start the test to reset the log file
001-197-XXX System test warning	1. Make sure the component that is called out is connected and/or enabled. See Chapter 6 “Diagnostics, Test and Recovery Information” on page 41 2. Re-run test 3. Replace the component that is called out in warning statement 4. Replace the component under test
001-198-XXX System test aborted	1. If a component is called out, make sure it is connected and/or enabled. See Chapter 6 “Diagnostics, Test and Recovery Information” on page 41 2. Flash the system and retest. See “Updating (flashing) BIOS from a CD-ROM or diskette” on page 775 3. Go to “Undetermined problems” on page 67
001-199-XXX System test failed, cause unknown	1. Go to “Undetermined problems” on page 67 2. Flash the system and re-test 3. Replace component under function test
001-250-XXX System ECC error	System board
001-254-XXX 001-255-XXX 001-256-XXX 001-257-XXX System DMA error	System board
001-260-XXX 001-264-XXX System IRQ error	System board
001-268-XXX System IRQ1 failure	1. Device on IRQ1 2. System board
001-269-XXX System IRQ2 failure	1. Device on IRQ2 2. System board
001-270-XXX System IRQ3 failure	1. Device on IRQ3 2. System board
001-271-XXX System IRQ4 failure	1. Device on IRQ4 2. System board

Diagnostic Error Code	FRU/Action
001-272-XXX System IRQ5 failure	1. Device on IRQ5 2. System board
001-273-XXX System IRQ6 (diskette drive) failure	1. Diskette Cable 2. Diskette drive 3. System board
001-274-XXX System IRQ7 failure	1. Device on IRQ7 2. System board
001-275-XXX System IRQ8 failure	1. Device on IRQ8 2. System board
001-276-XXX System IRQ9 failure	1. Device on IRQ9 2. System board
001-277-XXX System IRQ10 failure	1. Device on IRQ10 2. System board
001-278-XXX System IRQ11 failure	1. Device on IRQ11 2. System board
001-279-XXX System IRQ12 failure	1. Device on IRQ12 2. System board
001-280-XXX System IRQ13 failure	1. Device on IRQ13 2. System board
001-281-XXX System IRQ14 (hard disk drive) failure	1. Hard disk drive cable 2. Hard disk drive 3. System board
001-282-XXX System IRQ15 failure	1. Device on IRQ15 2. System board
001-286-XXX 001-287-XXX 001-288-XXX System Timer failure	System board
001-292-XXX System CMOS RAM error	1. Run Setup and re-test 2. System board
001-293-XXX System CMOS Battery	1. CMOS Battery 2. System board
001-298-XXX System RTC date/time update failure	1. Flash the system. See “Updating (flashing) BIOS from a CD-ROM or diskette” on page 775 2. System board
001-299-XXX System RTC periodic interrupt failure	System board
001-300-XXX System RTC Alarm failure	System board
001-301-XXX System RTC Century byte error	1. Flash the system. See “Updating (flashing) BIOS from a CD-ROM or diskette” on page 775 2. System board
005-000-XXX Video Test Passed	No action
005-00X-XXX Video error	1. Video card, if installed 2. System board

Diagnostic Error Code	FRU/Action
005-010-XXX 005-011-XXX 005-012-XXX 005-013-XXX Video Signal failure	<ol style="list-style-type: none"> 1. Video card, if installed 2. System board
005-016-XXX Video Simple Pattern test failure	<ol style="list-style-type: none"> 1. Video Ram 2. Video card, if installed 3. System board
005-024-XXX Video Addressing test failure	<ol style="list-style-type: none"> 1. Video card, if installed 2. System board
005-025-XXX Video Checksum Value error	<ol style="list-style-type: none"> 1. Video card, if installed 2. System board
005-027-XXX Video Configuration/Setup error	<ol style="list-style-type: none"> 1. Run Setup 2. Video drivers update 3. Video card, if installed 4. System board
005-031-XXX Video Device Cable failure	<ol style="list-style-type: none"> 1. Video cable 2. Monitor 3. Video card, if installed 4. System board
005-032-XXX Video Device Controller failure	<ol style="list-style-type: none"> 1. Video card, if installed 2. System board
005-036-XXX Video Register error	<ol style="list-style-type: none"> 1. Video card, if installed 2. System board
005-038-XXX System BIOS extension failure	<ol style="list-style-type: none"> 1. Video card, if installed 2. System board
005-040-XXX Video IRQ failure	<ol style="list-style-type: none"> 1. Video card, if installed 2. System board
005-195-XXX Video Test aborted by user	Information only Re-start the test, if necessary
005-196-XXX Video test halt, error threshold exceeded	<ol style="list-style-type: none"> 1. Press F3 to review the log file 2. Re-start the test to reset the log file
005-197-XXX Video test warning	<ol style="list-style-type: none"> 1. Make sure the component that is called out is connected and/or enabled. See Chapter 6 “Diagnostics, Test and Recovery Information” on page 41 2. Re-run test 3. Replace the component called out in warning statement 4. Replace the component under test
005-198-XXX Video test aborted	<ol style="list-style-type: none"> 1. If a component is called out, make sure it is connected and/or enabled. See Chapter 6 “Diagnostics, Test and Recovery Information” on page 41 2. Flash the system and re-test. See “Updating (flashing) BIOS from a CD-ROM or diskette” on page 775 3. Go to “Undetermined problems” on page 67

Diagnostic Error Code	FRU/Action
005-199-XXX Video test failed, cause unknown	<ol style="list-style-type: none"> 1. Go to “Undetermined problems” on page 67 2. Flash the system and re-test. See “Updating (flashing) BIOS from a CD-ROM or diskette” on page 775 3. Replace component under function test
005-2XX-XXX 005-3XX-XXX Video subsystem error	<ol style="list-style-type: none"> 1. Video card, if installed 2. System board
006-000-XXX Diskette interface Test Passed	No action
006-0XX-XXX Diskette interface error	<ol style="list-style-type: none"> 1. Diskette drive Cable 2. Diskette drive 3. System board
006-195-XXX Diskette interface Test aborted by user	Information only Re-start the test, if necessary
006-196-XXX Diskette interface test halt, error threshold exceeded	<ol style="list-style-type: none"> 1. Press F3 to review the log file 2. Re-start the test to reset the log file
006-197-XXX Diskette interface test warning	<ol style="list-style-type: none"> 1. If a component is called out, make sure it is connected and/or enabled 2. Re-run test 3. Replace the component that is called out in warning statement 4. Replace the component under test
006-198-XXX Diskette interface test aborted	<ol style="list-style-type: none"> 1. If a component is called out, make sure it is connected and/or enabled 2. Flash the system and re-test. See “Updating (flashing) BIOS from a CD-ROM or diskette” on page 775 3. Go to “Undetermined problems” on page 67
006-199-XXX Diskette interface test failed, cause unknown	<ol style="list-style-type: none"> 1. Go to “Undetermined problems” on page 67 2. Flash the system and re-test 3. Replace component under function test
006-25X-XXX Diskette interface Error	<ol style="list-style-type: none"> 1. Diskette drive cable 2. Diskette drive 3. System board
011-000-XXX Serial port Interface Test Passed	No action
011-001-XXX Serial port Presence	<ol style="list-style-type: none"> 1. Remove external serial device, if present 2. Run setup, enable port 3. System board
011-002-XXX 011-003-XXX Serial port Timeout/Parity error	System board
011-013-XXX 011-014-XXX Serial port Control Signal/Loopback test failure	System board
011-015-XXX Serial port External Loopback failure	<ol style="list-style-type: none"> 1. Wrap plug 2. System board

Diagnostic Error Code	FRU/Action
011-027-XXX Serial port Configuration/Setup error	<ol style="list-style-type: none"> 1. Run Setup, enable port 2. Flash the system. See “Updating (flashing) BIOS from a CD-ROM or diskette” on page 775 3. System board
011-03X-XXX 011-04X-XXX Serial port failure	System board
011-195-XXX Serial port Test aborted by user	Information only Re-start the test, if necessary
011-196-XXX Serial port test halt, error threshold exceeded	<ol style="list-style-type: none"> 1. Press F3 to review the log file 2. Re-start the test to reset the log file
011-197-XXX Serial port test warning	<ol style="list-style-type: none"> 1. Make sure the component that is called out is connected and/or enabled. See Chapter 6 “Diagnostics, Test and Recovery Information” on page 41 2. Re-run test 3. Replace the component that is called out in warning statement 4. Replace the component under test
011-198-XXX Serial port test aborted	<ol style="list-style-type: none"> 1. If a component is called out, make sure it is connected and/or enabled. See Chapter 6 “Diagnostics, Test and Recovery Information” on page 41 2. Flash the system and re-test. See “Updating (flashing) BIOS from a CD-ROM or diskette” on page 775 3. Go to “Undetermined problems” on page 67
011-199-XXX Serial port test failed, cause unknown	<ol style="list-style-type: none"> 1. Go to “Undetermined problems” on page 67 2. Flash the system and re-test. See “Updating (flashing) BIOS from a CD-ROM or diskette” on page 775 3. Replace component under function test
011-2XX-XXX Serial port signal failure	<ol style="list-style-type: none"> 1. External serial device 2. System board
014-000-XXX Parallel port Interface Test Passed	No action
014-001-XXX Parallel port Presence	<ol style="list-style-type: none"> 1. Remove external parallel device, if present 2. Run setup, enable port 3. System board
014-002-XXX 014-003-XXX Parallel port Timeout/Parity error	System board
014-013-XXX 014-014-XXX Parallel port Control Signal/Loopback test failure	System board
014-015-XXX Parallel port External Loopback failure	<ol style="list-style-type: none"> 1. Wrap plug 2. System board
014-027-XXX Parallel port Configuration/Setup error	<ol style="list-style-type: none"> 1. Run Setup, enable port 2. Flash the system. See “Updating (flashing) BIOS from a CD-ROM or diskette” on page 775 3. System board
014-03X-XXX 014-04X-XXX Parallel port failure	System board
014-195-XXX Parallel port Test aborted by user	Information only Re-start the test, if necessary

Diagnostic Error Code	FRU/Action
014-196-XXX Parallel port test halt, error threshold exceeded	<ol style="list-style-type: none"> 1. Press F3 to review the log file 2. Re-start the test to reset the log file
014-197-XXX Parallel port test warning	<ol style="list-style-type: none"> 1. Make sure the component that is called out is connected and/or enabled. See Chapter 6 “Diagnostics, Test and Recovery Information” on page 41 2. Re-run test 3. Replace the component that is called out in warning statement 4. Replace the component under test
014-198-XXX Parallel port test aborted	<ol style="list-style-type: none"> 1. If a component is called out, make sure it is connected and/or enabled 2. Flash the system and re-test. See “Updating (flashing) BIOS from a CD-ROM or diskette” on page 775 3. Go to “Undetermined problems” on page 67
014-199-XXX Parallel port test failed, cause unknown	<ol style="list-style-type: none"> 1. Go to “Undetermined problems” on page 67 2. Flash the system and re-test. See “Updating (flashing) BIOS from a CD-ROM or diskette” on page 775 3. Replace component under function test
014-2XX-XXX 014-3XX-XXX Parallel port failure	<ol style="list-style-type: none"> 1. External parallel device 2. System board
015-000-XXX USB port Interface Test Passed	No action
015-001-XXX USB port Presence	<ol style="list-style-type: none"> 1. Remove USB device(s) and re-test 2. System board
015-002-XXX USB port Timeout	<ol style="list-style-type: none"> 1. Remove USB device(s) and re-test 2. System board
015-015-XXX USB port External Loopback failure	<ol style="list-style-type: none"> 1. Remove USB device(s) and re-test 2. System board
015-027-XXX USB port Configuration/Setup error	<ol style="list-style-type: none"> 1. Flash the system. See “Updating (flashing) BIOS from a CD-ROM or diskette” on page 775 2. System board
015-032-XXX USB port Device Controller failure	System board
015-034-XXX USB port buffer allocation failure	<ol style="list-style-type: none"> 1. Reboot the system 2. Flash the system and re-test. See “Updating (flashing) BIOS from a CD-ROM or diskette” on page 775 3. Run memory test 4. System board
015-035-XXX USB port Reset condition detected	<ol style="list-style-type: none"> 1. Remove USB device(s) and re-test 2. System board
015-036-XXX USB port Register error	System board
015-040-XXX USB port IRQ failure	<ol style="list-style-type: none"> 1. Run setup and check for conflicts 2. Flash the system. See “Updating (flashing) BIOS from a CD-ROM or diskette” on page 775 3. System board

Diagnostic Error Code	FRU/Action
015-195-XXX USB port Test aborted by user	Information only Re-start the test, if necessary
015-196-XXX USB port test halt, error threshold exceeded	<ol style="list-style-type: none"> 1. Press F3 to review the log file 2. Re-start the test to reset the log file
015-197-XXX USB port test warning	<ol style="list-style-type: none"> 1. Make sure the component that is called out is connected and/or enabled. See Chapter 6 “Diagnostics, Test and Recovery Information” on page 41 2. Re-run test 3. Replace the component that is called out in warning statement 4. Replace the component under test
015-198-XXX USB port test aborted	<ol style="list-style-type: none"> 1. If a component is called out, make sure it is connected and/or enabled. See Chapter 6 “Diagnostics, Test and Recovery Information” on page 41 2. Flash the system and re-test. See “Updating (flashing) BIOS from a CD-ROM or diskette” on page 775 3. Go to “Undetermined problems” on page 67
015-199-XXX USB port test failed, cause unknown	<ol style="list-style-type: none"> 1. Go to “Undetermined problems” on page 67 2. Flash the system and re-test. See “Updating (flashing) BIOS from a CD-ROM or diskette” on page 775 3. Replace component under function test
018-000-XXX PCI Card Test Passed	No action
018-0XX-XXX PCI Card Failure	<ol style="list-style-type: none"> 1. Riser card, if installed 2. System board
018-195-XXX PCI Card Test aborted by user	<ol style="list-style-type: none"> 1. PCI card 2. Information only Re-start the test, if necessary
018-196-XXX PCI Card test halt, error threshold exceeded	<ol style="list-style-type: none"> 1. Press F3 to review the log file 2. Re-start the test to reset the log file
018-197-XXX PCI Card test warning	<ol style="list-style-type: none"> 1. Make sure the component that is called out is connected and/or enabled. See Chapter 6 “Diagnostics, Test and Recovery Information” on page 41 2. Re-run test 3. Replace the component that is called out in warning statement 4. Replace the component under test
018-198-XXX PCI Card test aborted	<ol style="list-style-type: none"> 1. If a component is called out, make sure it is connected and/or enabled. See Chapter 6 “Diagnostics, Test and Recovery Information” on page 41 2. Flash the system and re-test. See “Updating (flashing) BIOS from a CD-ROM or diskette” on page 775 3. Go to “Undetermined problems” on page 67

Diagnostic Error Code	FRU/Action
018-199-XXX PCI Card test failed, cause unknown	<ol style="list-style-type: none"> 1. Go to “Undetermined problems” on page 67 2. Flash the system and re-test. See “Updating (flashing) BIOS from a CD-ROM or diskette” on page 775 3. Replace component under function test
018-250-XXX PCI Card Services error	<ol style="list-style-type: none"> 1. PCI card 2. Riser card, if installed 3. System board
020-000-XXX PCI Interface Test Passed	No action
020-0XX-XXX PCI Interface error	<ol style="list-style-type: none"> 1. PCI card 2. Riser card, if installed 3. System board
020-195-XXX PCI Test aborted by user	Information only Re-start the test, if necessary
020-196-XXX PCI test halt, error threshold exceeded	<ol style="list-style-type: none"> 1. Press F3 to review the log file 2. Re-start the test to reset the log file
020-197-XXX PCI test warning	<ol style="list-style-type: none"> 1. Make sure the component that is called out is connected and/or enabled. See Chapter 6 “Diagnostics, Test and Recovery Information” on page 41 2. Re-run test 3. Replace the component that is called out in warning statement 4. Replace the component under test
020-198-XXX PCI test aborted	<ol style="list-style-type: none"> 1. If a component is called out, make sure it is connected and/or enabled. See Chapter 6 “Diagnostics, Test and Recovery Information” on page 41 2. Flash the system and re-test. See “Updating (flashing) BIOS from a CD-ROM or diskette” on page 775 3. Go to “Undetermined problems” on page 67
020-199-XXX PCI test failed, cause unknown	<ol style="list-style-type: none"> 1. Go to “Undetermined problems” on page 67 2. Flash the system and re-test. See “Updating (flashing) BIOS from a CD-ROM or diskette” on page 775 3. Replace component under function test
020-262-XXX PCI system error	<ol style="list-style-type: none"> 1. PCI card 2. Riser card, if installed 3. System board
025-000-XXX IDE interface Test Passed	No action
025-00X-XXX 025-01X-XXX IDE interface failure	<ol style="list-style-type: none"> 1. IDE signal cable 2. Check power supply voltages 3. Reseat IDE signal cable 4. IDE device 5. System board

Diagnostic Error Code	FRU/Action
025-027-XXX IDE interface Configuration/Setup error	<ol style="list-style-type: none"> 1. IDE signal cable 2. Flash the system. See “Updating (flashing) BIOS from a CD-ROM or diskette” on page 775 3. Reseat IDE signal cable 4. IDE device 5. System board
025-02X-XXX 025-03X-XXX 025-04X-XXX IDE Interface failure	<ol style="list-style-type: none"> 1. IDE signal cable 2. Check power supply 3. Reseat IDE signal cable 4. IDE device 5. System board
025-195-XXX IDE interface Test aborted by user	Information only Re-start the test, if necessary
025-196-XXX IDE interface test halt, error threshold exceeded	<ol style="list-style-type: none"> 1. Press F3 to review the log file 2. Re-start the test to reset the log file
025-197-XXX IDE interface test warning	<ol style="list-style-type: none"> 1. Make sure the component that is called out is connected and/or enabled. See Chapter 6 “Diagnostics, Test and Recovery Information” on page 41 2. Re-run test 3. Replace the component that is called out in warning statement 4. Replace the component under test
025-198-XXX IDE interface test aborted	<ol style="list-style-type: none"> 1. If a component is called out, make sure it is connected and/or enabled. See Chapter 6 “Diagnostics, Test and Recovery Information” on page 41 2. Flash the system and re-test. See “Updating (flashing) BIOS from a CD-ROM or diskette” on page 775 3. Go to “Undetermined problems” on page 67
025-199-XXX IDE interface test failed, cause unknown	<ol style="list-style-type: none"> 1. Go to “Undetermined problems” on page 67 2. Flash the system and re-test. See “Updating (flashing) BIOS from a CD-ROM or diskette” on page 775 3. Replace component under function test
030-000-XXX SCSI interface Test Passed	No action
030-00X-XXX 030-01X-XXX SCSI interface failure	<ol style="list-style-type: none"> 1. SCSI signal cable 2. Check power supply 3. SCSI device 4. SCSI adapter card, if installed 5. System board
030-027-XXX SCSI interface Configuration/Setup error	<ol style="list-style-type: none"> 1. SCSI signal cable 2. Flash the system. See “Updating (flashing) BIOS from a CD-ROM or diskette” on page 775 3. SCSI device 4. SCSI adapter card, if installed 5. System board

Diagnostic Error Code	FRU/Action
030-03X-XXX 030-04X-XXX SCSI interface error	<ol style="list-style-type: none"> 1. SCSI signal cable 2. Check power supply 3. SCSI device 4. SCSI adapter card, if installed 5. System board
030-195-XXX SCSI interface Test aborted by user	Information only Re-start the test, if necessary
030-196-XXX SCSI interface test halt, error threshold exceeded	<ol style="list-style-type: none"> 1. Press F3 to review the log file 2. Re-start the test to reset the log file
030-197-XXX SCSI interface test warning	<ol style="list-style-type: none"> 1. Make sure the component that is called out is connected and/or enabled. See Chapter 6 “Diagnostics, Test and Recovery Information” on page 41 2. Re-run test 3. Replace the component that is called out in warning statement 4. Replace the component under test
030-198-XXX SCSI interface test aborted	<ol style="list-style-type: none"> 1. If a component is called out, make sure it is connected and/or enabled. See Chapter 6 “Diagnostics, Test and Recovery Information” on page 41 2. Flash the system and re-test. See “Updating (flashing) BIOS from a CD-ROM or diskette” on page 775 3. Go to “Undetermined problems” on page 67
030-199-XXX SCSI interface test failed, cause unknown	<ol style="list-style-type: none"> 1. Go to “Undetermined problems” on page 67 2. Flash the system and re-test. See “Updating (flashing) BIOS from a CD-ROM or diskette” on page 775 3. Replace component under function test
035-000-XXX RAID interface Test Passed	No action
035-0XX-XXX RAID interface Failure	<ol style="list-style-type: none"> 1. RAID signal cable 2. RAID device 3. RAID adapter card, if installed 4. System board
035-195-XXX RAID interface Test aborted by user	Information only Re-start the test, if necessary
035-196-XXX RAID interface test halt, error threshold exceeded	<ol style="list-style-type: none"> 1. Press F3 to review the log file 2. Re-start the test to reset the log file
035-197-XXX RAID interface test warning	<ol style="list-style-type: none"> 1. Make sure the component that is called out is connected and/or enabled. See Chapter 6 “Diagnostics, Test and Recovery Information” on page 41 2. Re-run test 3. Replace the component that is called out in warning statement 4. Replace the component under test

Diagnostic Error Code	FRU/Action
035-198-XXX RAID interface test aborted	<ol style="list-style-type: none"> 1. If a component is called out, make sure it is connected and/or enabled. See Chapter 6 “Diagnostics, Test and Recovery Information” on page 41 2. Flash the system and re-test. See “Updating (flashing) BIOS from a CD-ROM or diskette” on page 775 3. Go to “Undetermined problems” on page 67
035-199-XXX RAID interface test failed, cause unknown	<ol style="list-style-type: none"> 1. See “Undetermined problems” on page 67 2. Flash the system and re-test. See “Updating (flashing) BIOS from a CD-ROM or diskette” on page 775 3. Replace component under function test
071-000-XXX Audio port Interface Test Passed	No action
071-00X-XXX 071-01X-XXX 071-02X-XXX Audio port error	<ol style="list-style-type: none"> 1. Run Setup 2. Flash the system. See “Updating (flashing) BIOS from a CD-ROM or diskette” on page 775 3. System board
071-03X-XXX Audio port failure	<ol style="list-style-type: none"> 1. Speakers 2. Microphone 3. Audio card, if installed 4. System board
071-04X-XXX Audio port failure	<ol style="list-style-type: none"> 1. Run Setup 2. Audio card, if installed 3. System board
071-195-XXX Audio port Test aborted by user	Information only Re-start the test, if necessary
071-196-XXX Audio port test halt, error threshold exceeded	<ol style="list-style-type: none"> 1. Press F3 to review the log file 2. Re-start the test to reset the log file
071-197-XXX Audio port test warning	<ol style="list-style-type: none"> 1. Make sure the component that is called out is connected and/or enabled. See Chapter 6 “Diagnostics, Test and Recovery Information” on page 41 2. Re-run test 3. Replace the component that is called out in warning statement 4. Replace the component under test
071-198-XXX Audio port test aborted	<ol style="list-style-type: none"> 1. If a component is called out, make sure it is connected and/or enabled. See Chapter 6 “Diagnostics, Test and Recovery Information” on page 41 2. Flash the system and re-test. See “Updating (flashing) BIOS from a CD-ROM or diskette” on page 775 3. Go to “Undetermined problems” on page 67
071-199-XXX Audio port test failed, cause unknown	<ol style="list-style-type: none"> 1. See “Undetermined problems” on page 67 2. Flash the system and re-test. See “Updating (flashing) BIOS from a CD-ROM or diskette” on page 775 3. Replace component under function test

Diagnostic Error Code	FRU/Action
071-25X-XXX Audio port failure	<ol style="list-style-type: none"> 1. Speakers 2. Audio card, if installed 3. System board
080-000-XXX Game Port interface Test Passed	No action
080-XXX-XXX Game Port interface Error	<ol style="list-style-type: none"> 1. Remove the game port device and re-test the system
080-195-XXX Game Port interface Test aborted by user	Information only Re-start the test, if necessary
080-196-XXX Game Port interface test halt, error threshold exceeded	<ol style="list-style-type: none"> 1. Press F3 to review the log file 2. Re-start the test to reset the log file
080-197-XXX Game Port interface test warning	<ol style="list-style-type: none"> 1. Make sure the component that is called out is connected and/or enabled. See Chapter 6 “Diagnostics, Test and Recovery Information” on page 41 2. Re-run test 3. Replace the component that is called out in warning statement 4. Replace the component under test
080-198-XXX Game Port interface test aborted	<ol style="list-style-type: none"> 1. If a component is called out, make sure it is connected and/or enabled. See Chapter 6 “Diagnostics, Test and Recovery Information” on page 41 2. Flash the system and re-test. See “Updating (flashing) BIOS from a CD-ROM or diskette” on page 775 3. Go to “Undetermined problems” on page 67
080-199-XXX Game Port interface test failed, cause unknown	<ol style="list-style-type: none"> 1. See “Undetermined problems” on page 67 2. Flash the system and re-test. See “Updating (flashing) BIOS from a CD-ROM or diskette” on page 775 3. Replace component under function test
086-000-XXX Mouse Port interface Test Passed	No action
086-001-XXX Mouse Port interface Presence	<ol style="list-style-type: none"> 1. Mouse 2. System board
086-032-XXX Mouse Port interface Device controller failure	<ol style="list-style-type: none"> 1. Mouse 2. System board
086-035-XXX Mouse Port interface Reset	<ol style="list-style-type: none"> 1. Mouse 2. System board
086-040-XXX Mouse Port interface IRQ failure	<ol style="list-style-type: none"> 1. Run Setup 2. Mouse 3. System board
086-195-XXX Mouse Port interface Test aborted by user	Information only Re-start the test, if necessary
086-196-XXX Mouse Port interface test halt, error threshold exceeded	<ol style="list-style-type: none"> 1. Press F3 to review the log file 2. Re-start the test to reset the log file

Diagnostic Error Code	FRU/Action
086-197-XXX Mouse Port interface test warning	<ol style="list-style-type: none"> 1. Make sure the component that is called out is connected and/or enabled. See Chapter 6 “Diagnostics, Test and Recovery Information” on page 41 2. Re-run test 3. Replace the component that is called out in warning statement 4. Replace the component under test
086-198-XXX Mouse Port interface test aborted	<ol style="list-style-type: none"> 1. If a component is called out, make sure it is connected and/or enabled. See Chapter 6 “Diagnostics, Test and Recovery Information” on page 41 2. Flash the system and re-test. See “Updating (flashing) BIOS from a CD-ROM or diskette” on page 775 3. Go to “Undetermined problems” on page 67
086-199-XXX Mouse Port interface test failed, cause unknown	<ol style="list-style-type: none"> 1. See “Undetermined problems” on page 67 2. Flash the system and re-test. See “Updating (flashing) BIOS from a CD-ROM or diskette” on page 775 3. Replace component under function test
089-000-XXX Microprocessor Test Passed	No action
089-XXX-XXX Microprocessor failure	<ol style="list-style-type: none"> 1. Microprocessor(s) 2. System board
089-195-XXX Microprocessor Test aborted by user	Information only Re-start the test, if necessary
089-196-XXX Microprocessor test halt, error threshold exceeded	<ol style="list-style-type: none"> 1. Press F3 to review the log file 2. Re-start the test to reset the log file
089-197-XXX Microprocessor test warning	<ol style="list-style-type: none"> 1. Make sure the component that is called out is connected and/or enabled. See Chapter 6 “Diagnostics, Test and Recovery Information” on page 41 2. Re-run test 3. Replace the component that is called out in warning statement 4. Replace the component under test
089-198-XXX Microprocessor test aborted	<ol style="list-style-type: none"> 1. Flash the system. See “Updating (flashing) BIOS from a CD-ROM or diskette” on page 775 2. Go to “Undetermined problems” on page 67
089-199-XXX Microprocessor test failed, cause unknown	<ol style="list-style-type: none"> 1. See “Undetermined problems” on page 67 2. Flash the system and re-test. See “Updating (flashing) BIOS from a CD-ROM or diskette” on page 775 3. Replace component under function test
170-000-XXX Voltage Sensor(s) Test Passed	No action
170-0XX-XXX Voltage Sensor(s) failure	<ol style="list-style-type: none"> 1. Flash system 2. System board
170-195-XXX Voltage Sensor(s) Test aborted by user	Information only Re-start the test, if necessary

Diagnostic Error Code	FRU/Action
170-196-XXX Voltage Sensor(s) test halt, error threshold exceeded	<ol style="list-style-type: none"> 1. Press F3 to review the log file 2. Re-start the test to reset the log file
170-197-XXX Voltage Sensor(s) test warning	<ol style="list-style-type: none"> 1. Make sure the component that is called out is connected and/or enabled. See Chapter 6 “Diagnostics, Test and Recovery Information” on page 41 2. Re-run test 3. Replace the component that is called out in warning statement 4. Replace the component under test
170-198-XXX Voltage Sensor(s) test aborted	<ol style="list-style-type: none"> 1. If a component is called out, make sure it is connected and/or enabled. See Chapter 6 “Diagnostics, Test and Recovery Information” on page 41 2. Flash the system and re-test. See “Updating (flashing) BIOS from a CD-ROM or diskette” on page 775 3. Go to “Undetermined problems” on page 67
170-199-XXX Voltage Sensor(s) test failed, cause unknown	<ol style="list-style-type: none"> 1. See “Undetermined problems” on page 67 2. Flash the system and re-test. See “Updating (flashing) BIOS from a CD-ROM or diskette” on page 775 3. Replace component under function test
170-250-XXX 170-251-XXX Voltage Sensor(s) Voltage limit error	<ol style="list-style-type: none"> 1. Power supply 2. System board
170-254-XXX Voltage Sensor(s) Voltage Regulator Module error	<ol style="list-style-type: none"> 1. Voltage Regulator Module (VRM) 2. Microprocessor 3. System board
175-000-XXX Thermal Sensor(s) Test Passed	No action
175-0XX-XXX Thermal Sensor(s) failure	<ol style="list-style-type: none"> 1. Flash system 2. System board
175-195-XXX Thermal Sensor(s) Test aborted by user	Information only Re-start the test, if necessary
175-196-XXX Thermal Sensor(s) test halt, error threshold exceeded	<ol style="list-style-type: none"> 1. Press F3 to review the log file 2. Re-start the test to reset the log file
175-197-XXX Thermal Sensor(s) test warning	<ol style="list-style-type: none"> 1. Make sure the component that is called out is connected and/or enabled. See Chapter 6 “Diagnostics, Test and Recovery Information” on page 41 2. Re-run test 3. Replace the component that is called out in warning statement 4. Replace the component under test
175-198-XXX Thermal Sensor(s) test aborted	<ol style="list-style-type: none"> 1. If a component is called out, make sure it is connected and/or enabled 2. Flash the system and re-test. See “Updating (flashing) BIOS from a CD-ROM or diskette” on page 775 3. Go to “Undetermined problems” on page 67

Diagnostic Error Code	FRU/Action
175-199-XXX Thermal Sensor(s) test failed, cause unknown	<ol style="list-style-type: none"> 1. See “Undetermined problems” on page 67 2. Flash the system and re-test. See “Updating (flashing) BIOS from a CD-ROM or diskette” on page 775 3. Replace component under function test
175-250-XXX 175-251-XXX Thermal Sensor(s) limit error	<ol style="list-style-type: none"> 1. Check fans 2. Check Power supply voltages 3. Microprocessor 4. System board
185-000-XXX Asset Security Test Passed	No action
185-XXX-XXX Asset Security failure	<ol style="list-style-type: none"> 1. Flash system 2. System board
185-278-XXX Asset Security Chassis Intrusion	<ol style="list-style-type: none"> 1. Assure Asset Security Enabled 2. C2 Cover Switch 3. System board
201-000-XXX System Memory Test Passed	No action
201-XXX-XXX System Memory error	<ol style="list-style-type: none"> 1. Replace the memory module called out by the test 2. System board
202-000-XXX System Cache Test Passed	No action
202-XXX-XXX System Cache error	<ol style="list-style-type: none"> 1. Cache, if removable 2. System board 3. Microprocessor
206-000-XXX Diskette Drive Test Passed	No action
206-XXX-XXX Diskette Drive error	<ol style="list-style-type: none"> 1. Diskette Drive Cable 2. Check power supply voltages 3. Diskette drive 4. System board
215-000-XXX CD-ROM Drive Test Passed	No action
215-XXX-XXX CD-ROM Drive error	<ol style="list-style-type: none"> 1. CD-ROM Drive Cable 2. Check power supply voltages 3. CD-ROM drive 4. System board
217-000-XXX Hard Disk Drive Test Passed	No action
217-25X-XXX 217-26X-XXX Hard Disk Drive (IDE) error	<ol style="list-style-type: none"> 1. Hard Disk Drive Cable 2. Check power supply voltages 3. Reseat the hard disk drive cable 4. Hard Disk drive (IDE) 5. System board

Diagnostic Error Code	FRU/Action
217-28X-XXX 217-29X-XXX Hard Disk Drive (SCSI) error	<ol style="list-style-type: none"> 1. Hard Disk Drive Cable 2. Check power supply voltages 3. Reseat the hard disk drive cable 4. Hard Disk drive (SCSI) 5. SCSI adapter card 6. System board
220-000-XXX Hi-Capacity Cartridge Drive Test Passed	No action
220-XXX-XXX Hi-Capacity Cartridge Drive error	1. Remove the Hi-Capacity Cartridge Drive and re-test the system
301-XXX-XXX Keyboard error	<ol style="list-style-type: none"> 1. Keyboard 2. Check and test mouse 3. System board
301-000-XXX Keyboard Test Passed	No action
302-000-XXX Mouse Test Passed	No action
302-XXX-XXX Mouse error	<ol style="list-style-type: none"> 1. Mouse 2. Check and test Keyboard 3. System board
303-000-XXX Joystick Test Passed	No action
303-XXX-XXX Joystick error	Remove the Joystick and re-test the system
305-000-XXX Monitor DDC Test Passed	No action
305-250-XXX Monitor DDC self test failure	<ol style="list-style-type: none"> 1. Run Setup to enable DDC 2. Cable 3. Monitor 4. Video card 5. System board
415-000-XXX Modem Test Passed	No action
415-XXX-XXX Modem error	Remove the Modem and re-test the system

Beep symptoms

Beep symptoms are tones or a series of tones separated by pauses (intervals without sound) during POST.

The following tables describes beep symptoms.

Beep Symptom	FRU/Action
2 short beeps CMOS setting error	<p>Perform the following actions in order.</p> <ol style="list-style-type: none"> 1. Start the Setup Utility program and press F10 to Save and exit. See Chapter 6 “Diagnostics, Test and Recovery Information” on page 41. 2. Start the Setup Utility program and press F7 to load defaults and then press F10 to Save and exit. 3. Perform a Boot block recovery. See “Recovering from a POST/BIOS update failure” on page 776.

Beep Symptom	FRU/Action
1 long and 2 short beeps Monitor or video adapter card error	Perform the following actions in order. <ol style="list-style-type: none"> 1. Make sure the monitor is properly connected to the computer. 2. Replace the video adapter card (if present). 3. Replace the system board.
1 long and 3 short beeps Keyboard error	Perform the following actions in order. <ol style="list-style-type: none"> 1. Make sure the keyboard is properly connected to the keyboard connector. 2. Replace the keyboard. 3. Replace the system board.
1 long and 9 short beeps BIOS ROM error	Perform the following actions in order. <ol style="list-style-type: none"> 1. Start the Setup Utility program and press F7 to load defaults and then press F10 to Save and exit. See Chapter 6 “Diagnostics, Test and Recovery Information” on page 41. 2. Perform a Boot block recovery. See “Recovering from a POST/BIOS update failure” on page 776. 3. Replace the system board.
Continuos long beeps DRAM memory error	Perform the following actions in order. <ol style="list-style-type: none"> 1. Make sure the memory module(s) are properly seated in the connector(s). 2. Replace the memory module(s). 3. Replace the system board.

POST error codes

Each time you power-on the system, it performs a series of tests that check the operation of the system and some options. This series of tests is called the *Power-On Self-Test*, or *POST*. POST does the following operations.

- Checks some basic system-board operations
- Checks the memory operation
- Starts the video operation
- Verifies that the boot drive is working

If the POST detects a problem, an error message appears on the screen. A single problem can cause several error messages to appear. When you correct the cause of the first error message, the other error messages probably will not appear on the screen the next time you turn on the system.

POST Error Message	Description/Action
CMOS battery failed	The CMOS battery is no longer functional. Replace the battery.
CMOS checksum error - defaults loaded	Checksum of CMOS is incorrect. The computer loads the default configuration settings. This error might indicate that CMOS has become corrupt due to a weak CMOS battery.

POST Error Message	Description/Action
CPU at nnnn	nnnn is the running speed of the microprocessor.
Press Esc to skip memory test	Pressing Esc skips the full memory test
HARD DISK INSTALL FAILURE	<p>Cannot find or initialize the hard disk drive controller or the drive.</p> <p>Make sure the hard disk drive is correctly installed.</p> <p>If no hard disk drives are installed, make sure the hard disk drive selection in Setup is set to NONE.</p>
Keyboard error or no keyboard present	<p>Cannot initialize the keyboard.</p> <p>Make sure the keyboard is properly connected to the computer and that no keys are held pressed during POST.</p> <p>To purposely configure the computer without a keyboard, set the error halt condition in Setup to HALT ON ALL, BUT KEYBOARD. The BIOS then ignores the missing keyboard during POST.</p>
Memory Test:	This message displays during a full memory test, counting down the memory areas being tested.
Memory test fail	If POST detects an error during memory testing, additional information appears. This information gives specifics about the type and location of the memory error.
Press TAB to show POST screen	Pressing the TAB key permits the user to toggle between the default POST display screen and a custom POST display screen.
Error: Non-System disk or disk error Replace and press any key when ready	<p>The BIOS was unable to find a suitable boot device.</p> <p>Make sure the boot drive is properly connected to the computer.</p> <p>Make sure you have bootable media.</p>

Miscellaneous error messages

Message/Symptom	FRU/Action
Changing display colors	Display/Monitor
Computer will <i>not</i> power-off. See "Hard disk drive boot error" on page 45.	<ol style="list-style-type: none"> Power Switch System Board Riser card, if installed
Computer will <i>not</i> RPL from server	<ol style="list-style-type: none"> Ensure that network is in startup sequence as first device or first device after diskette Ensure that network adapter is enabled for RPL Network adapter (Advise network administrator of new MAC address)

Message/Symptom	FRU/Action
Computer will <i>not</i> perform a Wake On LAN® (if applicable)	<ol style="list-style-type: none"> 1. Check power supply and signal cable connections to network adapter 2. Ensure that the operating system settings are set to enable Wake on LAN® 3. Ensure Wake On LAN feature is enabled in Setup/Configuration (see “Starting the Setup Utility program” on page 41) 4. Ensure network administrator is using correct MAC address 5. Ensure no interrupt or I/O address conflicts 6. Network adapter (advise network administrator of new MAC address)
Dead computer. See “Hard disk drive boot error” on page 45.	<ol style="list-style-type: none"> 1. Power Supply 2. System Board
Diskette drive in-use light remains on or does not light when drive is active.	<ol style="list-style-type: none"> 1. Diskette Drive 2. System Board 3. Diskette Drive Cable
Flashing cursor with an otherwise blank display.	<ol style="list-style-type: none"> 1. System Board 2. Primary Hard Disk Drive 3. Hard Disk Drive Cable
Incorrect memory size during POST	<ol style="list-style-type: none"> 1. Run the Memory tests 2. Memory Module 3. System Board
"Insert a Diskette" icon appears with a known-good diagnostics diskette in the first 3.5-inch diskette drive.	<ol style="list-style-type: none"> 1. System Board 2. Diskette Drive Cable 3. Network Adapter
Intensity or color varies from left to right of characters and color bars	<ol style="list-style-type: none"> 1. Display 2. Video adapter (if present) 3. System Board
No power or fan not running	1. See “Hard disk drive boot error” on page 45.
Non-system disk or disk error-type message with a known-good diagnostic diskette.	<ol style="list-style-type: none"> 1. Diskette Drive 2. System Board 3. Diskette Drive Cable
Other display symptoms not listed above (including blank or illegible display)	<ol style="list-style-type: none"> 1. Display 2. System Board
Power-on indicator or hard disk drive in-use light not on, but computer works correctly	<ol style="list-style-type: none"> 1. Power switch/LED assembly 2. System Board
Printer problems	<ol style="list-style-type: none"> 1. Printer 2. System Board

Message/Symptom	FRU/Action
Program loads from the hard disk with a known-good diagnostics diskette in the first 3.5-inch diskette drive	<ol style="list-style-type: none"> 1. Run Setup and check Startup sequence. 2. Diskette Drive 3. Diskette Drive Cable 4. System Board 5. Power Supply
RPL computer cannot access programs from its own hard disk.	<ol style="list-style-type: none"> 1. If network administrator is using LCCM Hybrid RPL, check startup sequence: <ol style="list-style-type: none"> a. First device - network b. Second device - hard disk 2. Hard disk drive
RPL computer does not RPL from server	<ol style="list-style-type: none"> 1. Check startup sequence 2. Check the network adapter LED status
Serial or parallel port device failure (system board port)	<ol style="list-style-type: none"> 1. External Device Self-Test OK? 2. External Device 3. Cable 4. System Board
Serial or parallel port device failure (adapter port)	<ol style="list-style-type: none"> 1. External Device Self-Test OK? 2. External Device 3. Cable 4. Alternate Adapter 5. System Board
Some or all keys on the keyboard do not work	<ol style="list-style-type: none"> 1. Keyboard 2. Keyboard Cable 3. System Board

Undetermined problems

If this computer has a parallel ATA hard disk drive, make sure that the hard disk drive is jumpered as a master and the optical drive is jumpered as a slave.

1. Power-off the computer.
2. Remove or disconnect the following components (if installed) one at a time.
 - a. External devices (modem, printer, or mouse)
 - b. Any adapters
 - c. Memory modules
 - d. Extended video memory
 - e. External Cache
 - f. External Cache RAM
 - g. Hard disk drive
 - h. Diskette drive
3. Power-on the computer to re-test the system.
4. Repeat steps 1 through 3 until you find the failing device or adapter.

If all devices and adapters have been removed, and the problem continues, replace the system board.

Chapter 8. Replacing FRUs (Types 7065, 7096, 9351, 9358, 9438, 9481, 9489, 9703, 9784, 9788, 9792, 9853, 9949)

Important

Before you replace any FRU, read Chapter 2 “Safety information” on page 3. These precautions and guidelines will help you work safely.

FRU replacements are to be done by trained service technicians only.

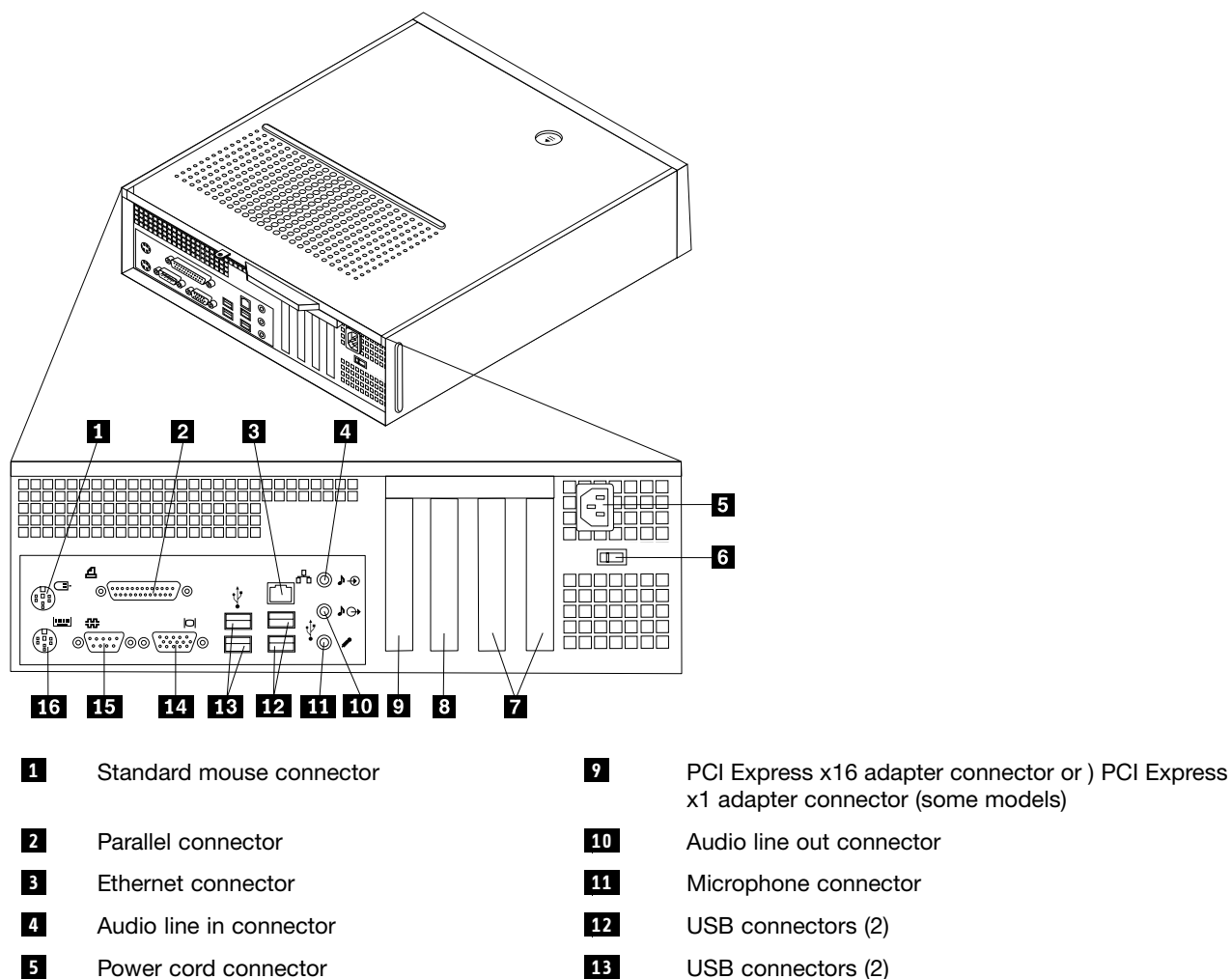
This chapter does not contain a remove and replace procedure for all FRUs. Only the major FRUs are documented.

Locations

The following illustrations will help when locating connectors, controls and components of the computer.

Rear connectors

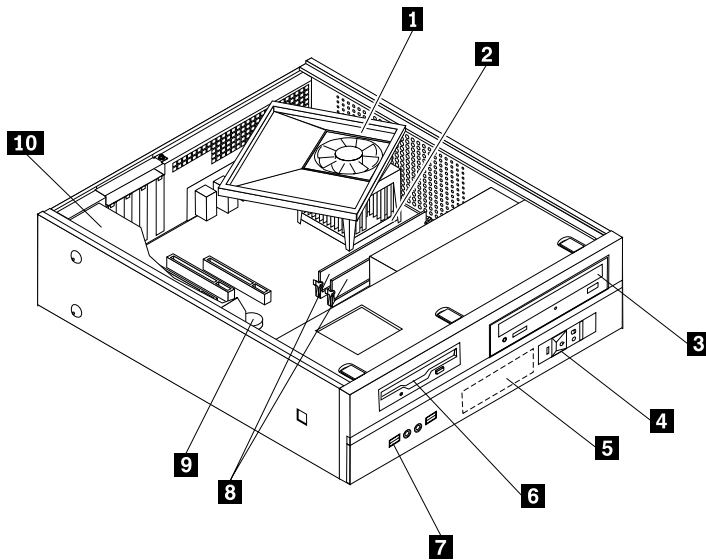
The following illustration shows the locations of the connectors on the rear of the computer.



- | | |
|--|---------------------------------------|
| 6 Voltage selection switch (some models) | 14 VGA monitor connector |
| 7 PCI adapter connectors | 15 Serial connector |
| 8 PCI Express x16 adapter connector or) PCI Express x1 adapter connector (some models) | 16 Standard keyboard connector |

Computer components

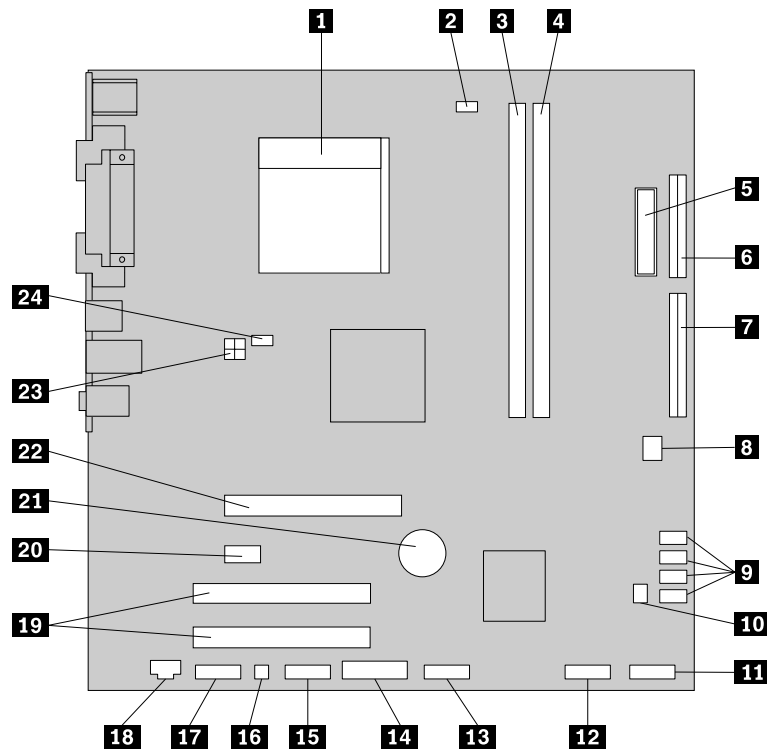
The following illustration will help you locate the major FRUs in the computer.



- | | |
|---|---------------------------|
| 1 Fan plenum, fan, and heat sink | 6 Diskette drive |
| 2 Microprocessor | 7 Front panel card |
| 3 Optical drive | 8 Memory modules |
| 4 Power switch/LED assembly | 9 System board |
| 5 Hard disk drive | 10 Power supply |

System board connectors

This illustration is to help locate the various system board connectors.



- | | | | |
|-----------|------------------------------|-----------|--|
| 1 | Microprocessor and heat sink | 13 | Front USB connector |
| 2 | Microprocessor fan connector | 14 | TCM header connector |
| 3 | Memory connector 1 | 15 | Serial (COM) connector |
| 4 | Memory connector 2 | 16 | Internal speaker connector |
| 5 | Power connector | 17 | Front audio connector |
| 6 | Diskette drive connector | 18 | CD_IN connector |
| 7 | IDE connector | 19 | PCI adapter connectors (2) |
| 8 | Power fan connector | 20 | PCI Express x1 adapter connector |
| 9 | Serial ATA connectors (4) | 21 | Battery |
| 10 | Clear CMOS/Recovery jumper | 22 | PCI Express x16 graphics adapter connector |
| 11 | Front panel connector | 23 | 12 V power connector |
| 12 | Front USB connector | 24 | System fan connector |

Removing the cover

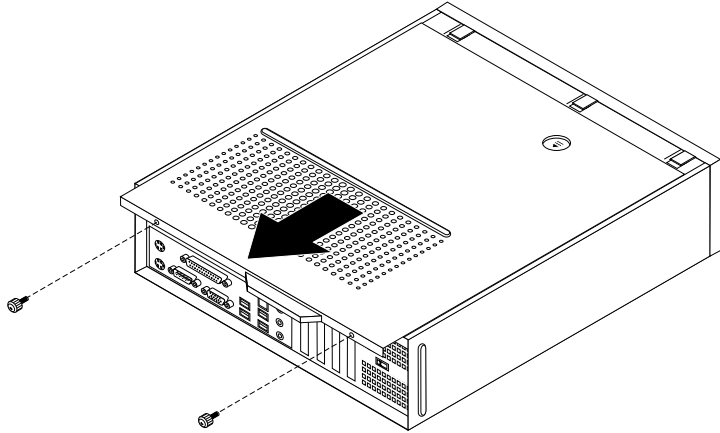
Important

Read Chapter 2 “Safety information” on page 3 and “Handling electrostatic discharge-sensitive devices” on page 6 before opening the cover.

This procedure describes how to remove the cover.

1. Remove any media (diskettes, CDs, or tapes) from the drives, shut down the operating system, and turn off all attached devices.
2. Unplug all power cords from electrical outlets.

3. Disconnect all cables attached to the computer. This includes power cords, input/output (I/O) cables, and any other cables that are connected to the computer.
4. Remove any locking devices such as a padlock that secure the cover.
5. If the cover is secured with thumbscrews, remove them.
6. Press the button near the front of the computer cover and slide the cover to the rear.

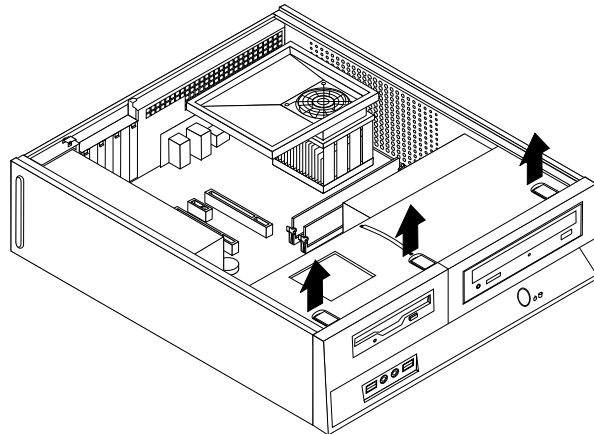


Accessing system board components and drives

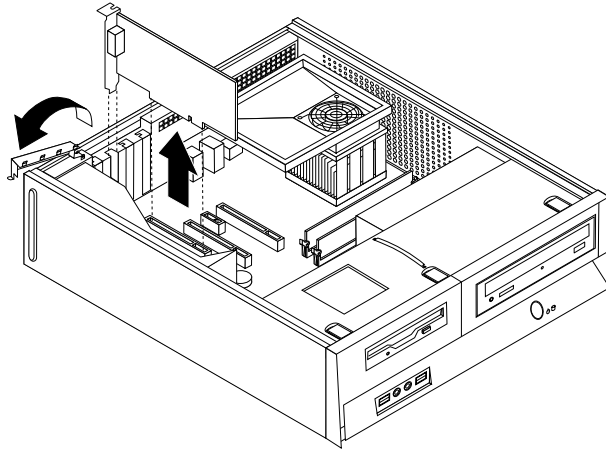
You might need to remove the drive bay assembly to access system board components such as memory, the battery, and CMOS.

To access system board components and the drives:

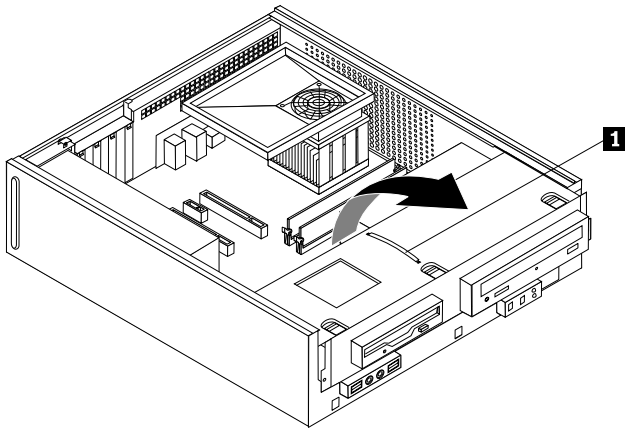
1. Remove the computer cover. See “Removing the cover” on page 71.
2. Remove the front bezel by releasing the three tabs and pivoting the bezel forward to remove completely.



3. In some models, you might have to remove the PCI adapter in order to gain access to the battery.



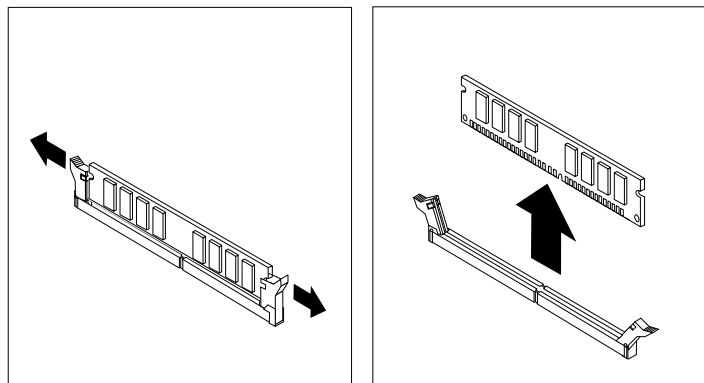
- Using the blue handle **1**, lift and slide the drive bay assembly forward until the locating studs in the drive bay assembly are aligned with the slots on the sides of the chassis. Pull upward on the handle to remove the drive bay assembly completely from the chassis. Depending on what component of the computer you want to remove, you can either disconnect the cables from the rear of the drives or leave them connected.



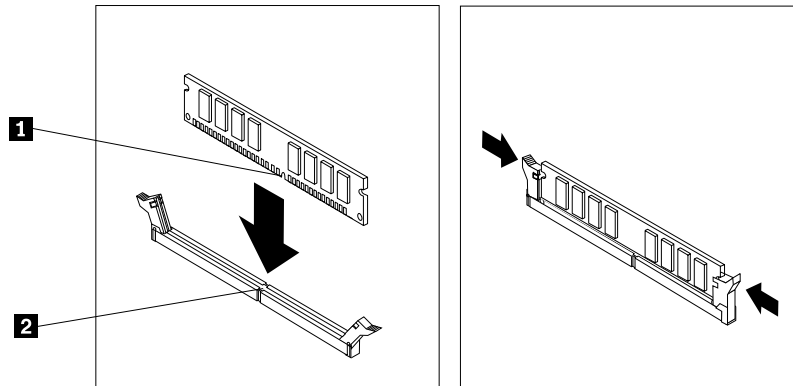
Replacing a memory module

This procedure describes how to remove and replace a memory module.

- Remove the cover. See “Removing the cover” on page 71.
- You might have to remove the drive bay assembly to access the memory connectors. See “Accessing system board components and drives” on page 72.
- Remove the memory module being replaced by opening the retaining clips as shown.



- Position the replacement memory module over the memory connector. Make sure that the notch **1** on the memory module aligns correctly with the connector key **2** on the system board. Push the memory module straight down into the memory connector until the retaining clips close.



- Slide the drive bay assembly towards the rear of the chassis until it snaps into position.
- Reinstall the front bezel.
- Go to “Completing the FRU replacement” on page 88.

Replacing the CMOS battery

If the CMOS battery fails, the date, time, and configuration information (including passwords) are lost. An error message is displayed when you turn on the computer.

Important

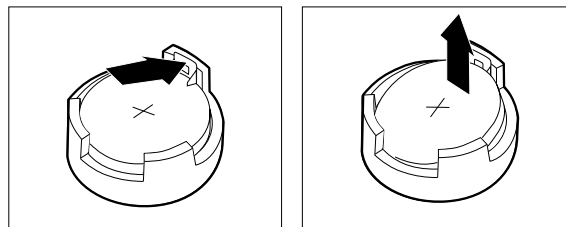
Refer to “Safety notices (multi-lingual translations)” on page 6 for information about replacing and disposing of the battery.

CAUTION:

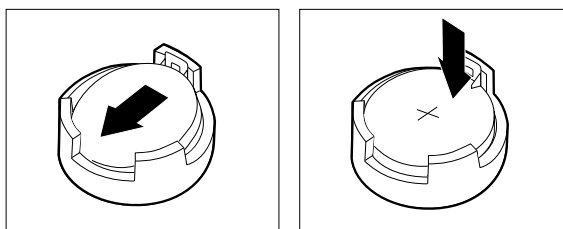
When replacing the lithium battery, use only Part Number 33F8354 or an equivalent type battery recommended by the manufacturer.

This procedure describes how to remove and replace the CMOS battery.

- Remove the cover. See “Removing the cover” on page 71.
- Locate the battery. See the system board illustration for your machine type at “System board connectors” on page 70.
- You might have to remove any PCI adapters that impede access to the battery.
- Remove the old battery.



- Install the new battery.



6. Replace any PCI adapters that were removed.

Note: When the computer is turned on for the first time after battery replacement, an error message might be displayed. This is normal after replacing the battery.

7. Go to “Completing the FRU replacement” on page 88.

Replacing the power supply

Attention

Never remove the cover on a power supply or any part that has the following label attached.



Hazardous voltage, current, and energy levels are present inside any component that has this label attached. There are no serviceable parts inside these components.

This procedure describes how to remove and replace the power supply.

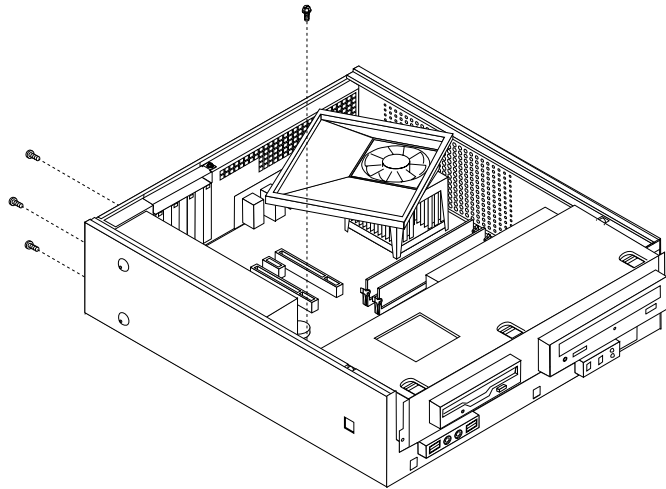
1. Remove the cover. See “Removing the cover” on page 71.
2. Remove the drive bay assembly. See “Accessing system board components and drives” on page 72.
3. Disconnect all power supply cables from the system board. See the system board diagram for your machine type at “System board connectors” on page 70.
4. Remove the hard disk drive. See “Replacing the hard disk drive” on page 82.

Note: Observe the power supply cable routing underneath the hard disk drive.

5. The system board must be moved out of the way to remove the power supply. Remove the screws that secure the system board to the chassis and slide the system board away from the power supply.

Note: You do not have to remove the system board from the chassis to remove the power supply.

6. At the rear of the chassis, remove the three screws that secure the power supply. Also remove the screw that secures the power supply at the front.



7. Lift the power supply out of the chassis.
8. If the power supply has a voltage-selection switch, ensure that it is set to match the voltage available at the electrical outlet.
 - If the voltage supply range in your local country or region is 100-127 V ac, set the switch to 115 V.
 - If the voltage supply range in your local country or region is 200-240 V ac, set the switch to 230 V.
9. Install the new power supply and install the three screws that secure the power supply at the rear of the chassis and install the screw that secures the power supply at the front.
10. Position the system board so that the screws holes are properly aligned and install the system board screws.
11. Route the power supply cable through the cable clamps underneath the hard disk drive and reconnect all power supply cables to the system board.
12. Install the hard disk drive. See “Replacing the hard disk drive” on page 82.
13. Align the drive bay assembly studs with the two slots on the sides of the chassis and place it into position. Reconnect any diskette drive and optical drive cables that were disconnected.
14. Using the blue handle, slide the drive bay assembly towards the rear of the chassis until it snaps into position.
15. Reinstall the front bezel.
16. Go to “Completing the FRU replacement” on page 88.

Replacing the system board

This procedure describes how to remove and replace a system board. The procedure varies depending upon the machine type.

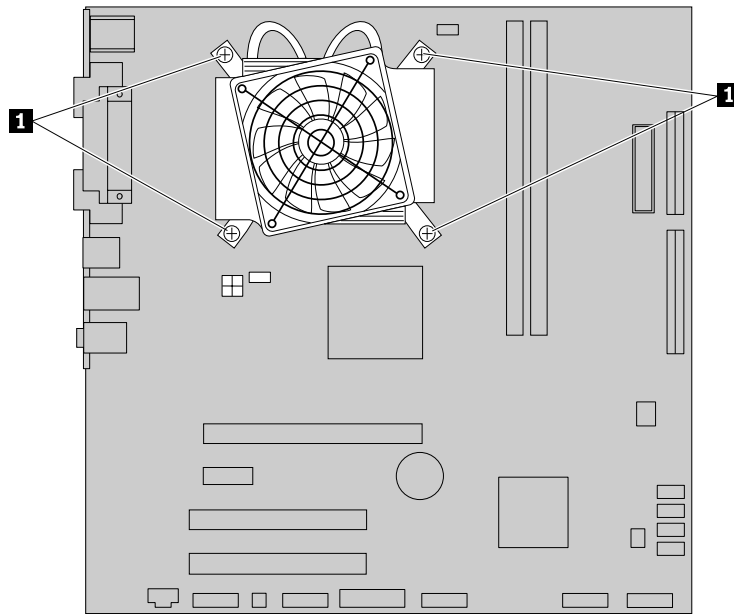
Important

The heat sink and microprocessor might be very hot. Make sure these components are cool enough to safely handle before continuing this procedure.

Note: When replacing the system board you must also order a new retention module for the new system board. Make sure you have a retention module for the new system board before continuing with this procedure.

1. Remove the cover. See “Removing the cover” on page 71.
2. Lift the fan duct off the heat sink fan.
3. Remove any adapter cards installed in the PCI connectors.

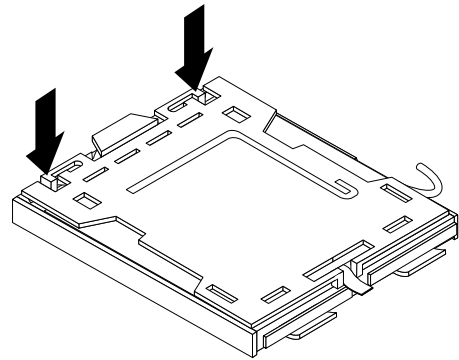
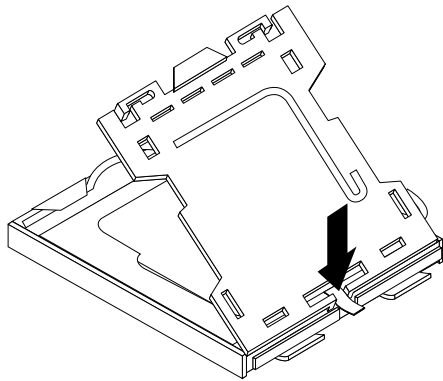
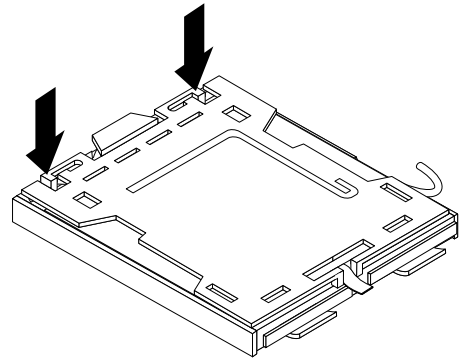
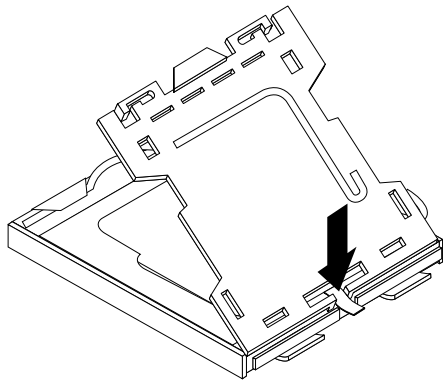
4. You might have to remove the drive bay assembly to access the system board. See “Accessing system board components and drives” on page 72.
5. Take note of the location of all cable connections on the system board and disconnect all cables. See the system board illustration for your machine type at “System board connectors” on page 70.
6. Remove the hard disk drive. See “Replacing the hard disk drive” on page 82.
7. Remove the screws that secure the system board to the chassis.
8. Lift the system board out of the chassis.
9. Remove the memory modules from the failing system board and install them in the same location on the new system board.
10. Disconnect the heat sink and fan assembly cable from the system board. See the system board illustration for your machine type at “System board connectors” on page 70.
11. Remove the four screws **1** securing the heat sink and fan assembly to the system board.



12. Lift the heat sink and fan assembly off the failing system board. Place the heat sink on its side so that the thermal grease does not come in contact with anything.

Note: You might have to gently twist the heat sink to free it from the microprocessor.

13. Remove the microprocessor from the failing system board. See “Replacing the microprocessor” on page 79.
14. Remove the microprocessor socket cover from the new system board.
15. The failing system board must be returned with a microprocessor socket cover to protect the pins during shipping and handling. Install the microprocessor socket cover removed from the new system board on the failing system board. To install the microprocessor socket cover:
 - a. Make sure the microprocessor has been removed from the microprocessor socket, and then close the microprocessor retainer and lock it into position with the small handle.
 - b. Insert the tabs **1** of the socket cover into the hinged side of the socket, and then press the other side of the socket cover downward until the tabs **2** snap into position.



16. Install the new system board into the chassis and align the screw holes with those in the chassis. Insert and tighten the screws that secure the system board.

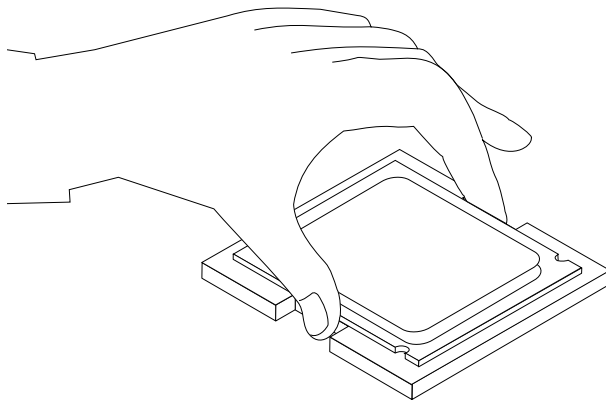
17. On the new system board, release the lever securing the microprocessor retainer and then pivot the retainer until it is fully open.

Note: There will be a black plastic cover on the microprocessor retainer to protect the socket on the new system board. Remove the black plastic cover and place it on the microprocessor socket of the failing system board when you complete this procedure.

18. Holding the microprocessor with your fingers, position the microprocessor so that the notches on the microprocessor are aligned with the tabs in the microprocessor socket on the new system board.

Important: To avoid damaging the microprocessor contacts, do not tilt the microprocessor when installing it into the socket.

19. Lower the microprocessor straight down into the system board socket of the new system board.



20. To secure the microprocessor in the socket, close the microprocessor retainer and lock it into position with the small handle.
21. Install the new retention module (if required) on the new system board.
22. Install the heat sink and fan assembly on the new system board.
23. Reconnect the heat sink and fan assembly cable to the system board. See the system board illustration for your machine type at “System board connectors” on page 70.
24. Install the new system board into the chassis and align the screw holes with those in the chassis. Insert and tighten the screws that secure the system board.
25. Reconnect all cables that were disconnected from the system board.
26. Reinstall the hard disk drive. See “Replacing the hard disk drive” on page 82.
27. Align the drive bay assembly with the two slots and rails on the sides of the chassis, reconnect the drive cables on the system board, and then slide the drive bay assembly towards the rear of the chassis until it snaps into position.
28. Reinstall the front bezel.
29. Reinstall any PCI adapter cards that were removed.
30. Position the fan duct on the heat sink fan.
31. Go to “Completing the FRU replacement” on page 88.

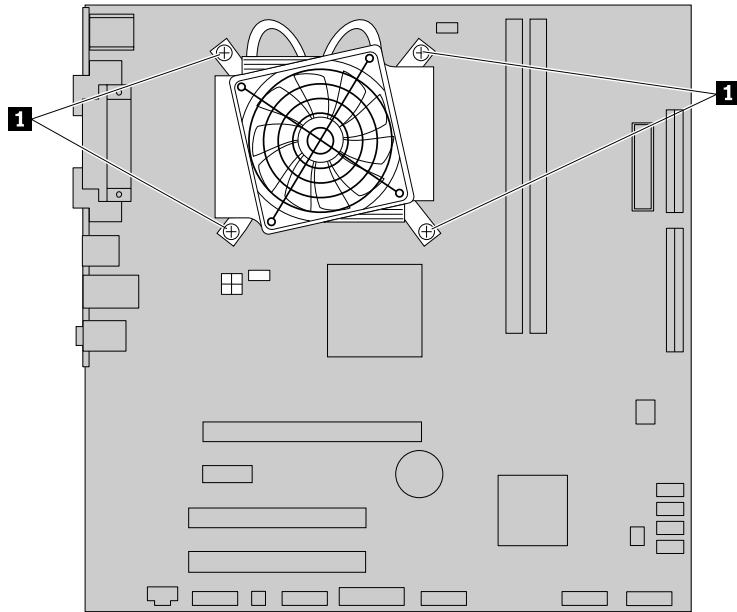
Replacing the microprocessor

This procedure describes how to remove and replace the microprocessor. The procedure varies depending upon the machine type.

Important

The heat sink and microprocessor might be very hot. Make sure these components are cool enough to safely handle before continuing this procedure.

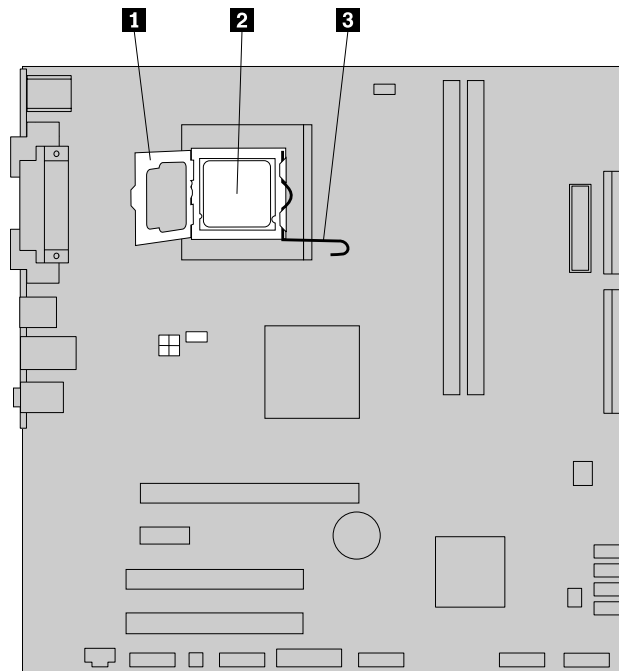
1. Remove the cover. See “Removing the cover” on page 71.
2. Lift the fan duct off the heat sink fan.
3. Disconnect the heat sink and fan assembly cable from the system board. See the system board illustration for your machine type at “System board connectors” on page 70.
4. Remove the four screws **1** securing the heat sink and fan assembly to the system board.



5. Lift the heat sink and fan assembly off the system board. Place the heat sink on its side so that the thermal grease does not come in contact with anything.

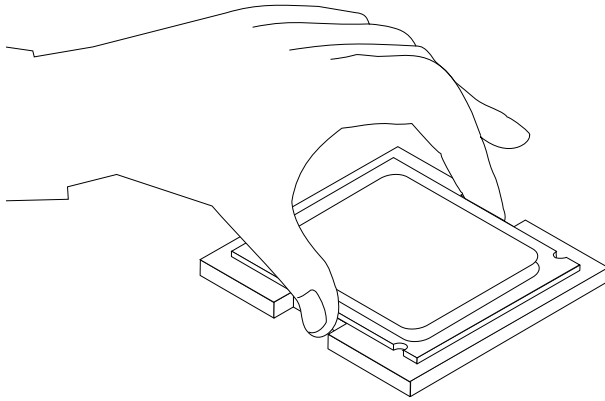
Note: You might have to gently twist the heat sink to free it from the microprocessor.

6. To remove the microprocessor **2** from the system board, lift the small handle **3** and open the retainer **1**.

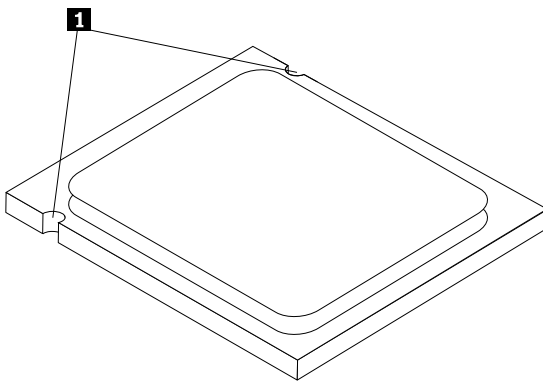


Important: Touch only the sides of the microprocessor. Do not touch the gold contacts on the bottom.

7. Lift the microprocessor straight up and out of the socket.

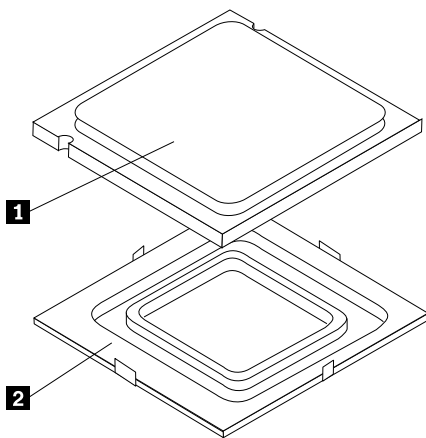


- a. Note the orientation of the notches **1** on the microprocessor. This is important when reinstalling the microprocessor on the system board.

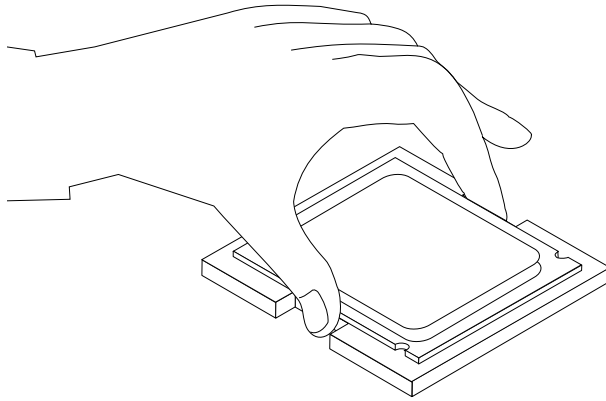


- b. Do not drop anything onto the microprocessor socket while it is exposed. The socket pins must be kept as clean as possible.

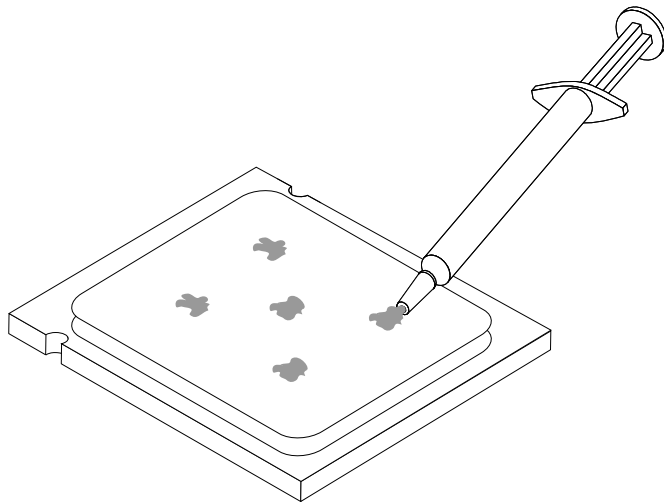
8. Make sure that the microprocessor retainer is fully open.
9. Holding the microprocessor with your fingers, remove the protective cover **2** that protects the gold contacts on the new microprocessor **1**.



10. Holding the microprocessor with your fingers, align the notches on the microprocessor with the tabs in the microprocessor socket
11. Lower the microprocessor straight down into the socket.



12. To secure the microprocessor in the socket, close the microprocessor retainer and lock it into position with the small handle.
13. Use the thermal grease syringe to place five drops of grease on the top of the microprocessor. Each drop of grease should be 0.03ml (3 tick marks on the grease syringe).



14. Install the heat sink and fan assembly on the system board.
15. Connect the heat sink and fan assembly cable to the system board. See the system board illustration for your machine type at “System board connectors” on page 70.
16. Position the fan duct on the heat sink fan.
17. Go to “Completing the FRU replacement” on page 88.

Replacing the hard disk drive

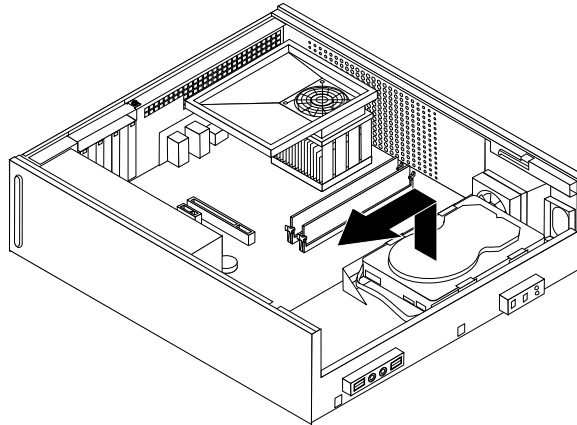
Important

When a new hard disk drive is installed, a set of *Product Recovery* discs might be required. The set of *Product Recovery* discs enable the contents of the hard disk to be restored to the same state as when the computer was originally shipped from the factory. For more information on recovering factory-installed software, refer to "Recovering Software" in the *User Guide*.

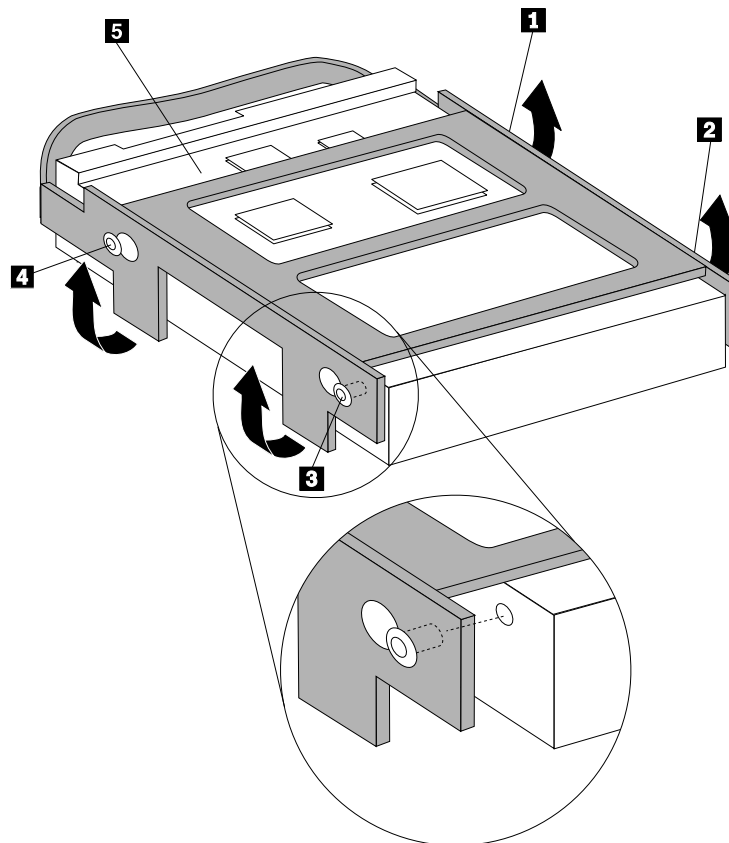
This procedure describes how to remove and replace the hard disk drive.

1. Remove the cover. See “Removing the cover” on page 71.
2. Remove the drive bay assembly. See “Accessing system board components and drives” on page 72.

3. Use the blue handle to pivot the hard disk drive and bracket upward, slide the hard drive to the left until it is free of the retaining clips in the bottom of the chassis, and then completely remove it from the chassis.



4. Disconnect the signal and power cables from the rear of the hard disk drive.
5. Remove the blue bracket from the failing hard disk drive by flexing the bracket.
6. Install the new drive into the blue bracket, flex the bracket, and align the pins **1** through **4** on the bracket with the holes in the hard disk drive. Do not touch the circuit board **5** on the bottom of the hard disk drive.



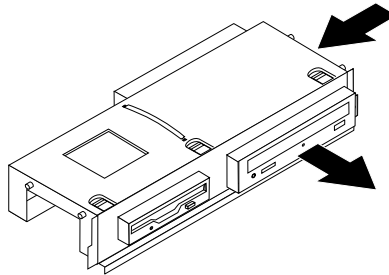
7. Connect the signal and power cables to the rear of the hard disk drive.
8. Position the hard disk drive and bracket so that it engages the retaining clips in the bottom of the chassis when you slide the bracket to the right.
9. Slide the hard disk drive and bracket to the right until it snaps into position.

10. Align the drive bay assembly studs with the two slots on each side of the chassis and reconnect the diskette drive and optical drive cables (if disconnected).
11. Slide the drive bay assembly towards the rear of the chassis until it snaps into position.
12. Reinstall the front bezel.
13. Go to “Completing the FRU replacement” on page 88.

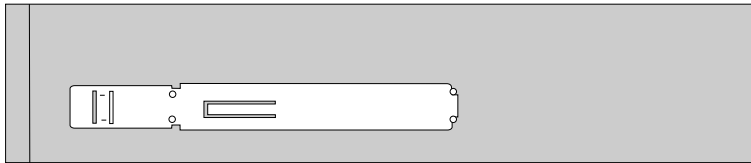
Replacing an optical drive

This procedure describes how to remove and replace an optical drive.

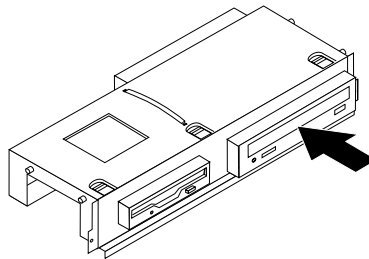
1. Remove the cover. See “Removing the cover” on page 71.
2. To access system board components. See “Accessing system board components and drives” on page 72.
3. Release the optical drive from the drive bay assembly by pressing inward on the blue retainer at the side of the drive.
4. Slide the optical drive being replaced out the front of the drive bay assembly.



5. Remove the retainer bracket from the failing drive and install it on the new drive.



6. Install the new optical drive into the bay until it snaps into position.

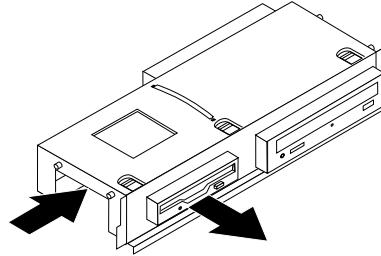


7. Reconnect the signal and power cables to the rear of the optical drive.
8. Align the drive bay assembly with the two slots and rails on the sides of the chassis and slide the drive bay assembly towards the rear of the chassis until it snaps into position.
9. Reinstall the front bezel.
10. Go to “Completing the FRU replacement” on page 88.

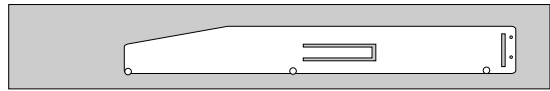
Replacing the diskette drive

This procedure describes how to remove and replace a diskette drive.

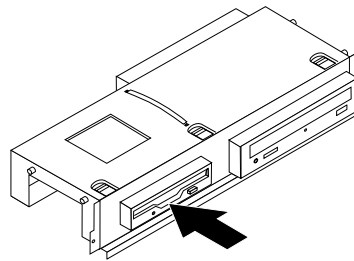
1. Remove the cover. See “Removing the cover” on page 71.
2. To access system board components. See “Accessing system board components and drives” on page 72.
3. Release the diskette drive by pressing inward on the blue retainer at the side of the drive.
4. Remove the failing diskette drive by sliding it out the front of the drive bay assembly.



5. Remove the retainer bracket from the failing drive and install it on the new drive.



6. Install the new diskette drive into the drive bay from the front until it snaps into position.

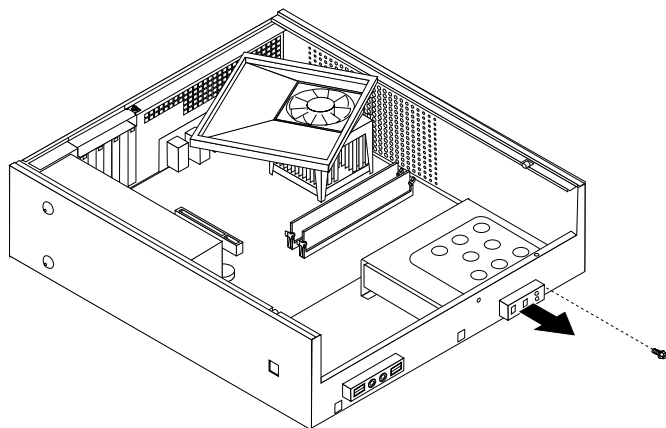


7. Reconnect the signal and power cables to the rear of the diskette drive.
8. Align the drive bay assembly with the two slots and rails on the sides of the chassis and slide the drive bay assembly towards the rear of the chassis until it snaps into position.
9. Reinstall the front bezel.
10. Go to “Completing the FRU replacement” on page 88.

Replacing the power switch/LED assembly

This procedure describes how to remove and replace the power switch/LED assembly.

1. Remove cover. See “Removing the cover” on page 71.
2. To access system board components. See “Accessing system board components and drives” on page 72.
3. Remove the hard disk drive. See “Replacing the hard disk drive” on page 82.
4. Disconnect the power switch/LED assembly cable from the system board. See the system board illustration for your machine type at “System board connectors” on page 70.
5. Remove the screw that secures the power switch/LED assembly to the chassis.

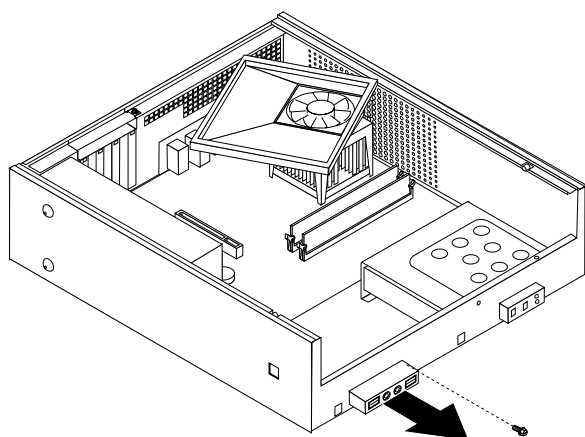


6. Note the power switch/LED assembly cable routing and remove the assembly from the chassis.
7. Route the cable for the new power switch/LED assembly through the hole in the chassis and to the system board.
8. Install the power switch/LED assembly into the chassis and secure the assembly with the screw.
9. Connect the power switch/LED cable to the system board.
10. Reinstall the hard disk drive. See “Replacing the hard disk drive” on page 82.
11. Align the drive bay assembly with the two slots and rails on the sides of the chassis slide the drive bay assembly towards the rear of the chassis until it snaps into position.
12. Reinstall the front bezel.
13. Go to “Completing the FRU replacement” on page 88.

Replacing the front panel card

This procedure describes how to remove and replace the front panel card.

1. Remove cover. See “Removing the cover” on page 71.
2. To access system board components. See “Accessing system board components and drives” on page 72.
3. Disconnect the front panel assembly cables from the system board. See the system board illustration for your machine type at “System board connectors” on page 70.
4. Remove the screw that secures the front panel card assembly to the chassis.



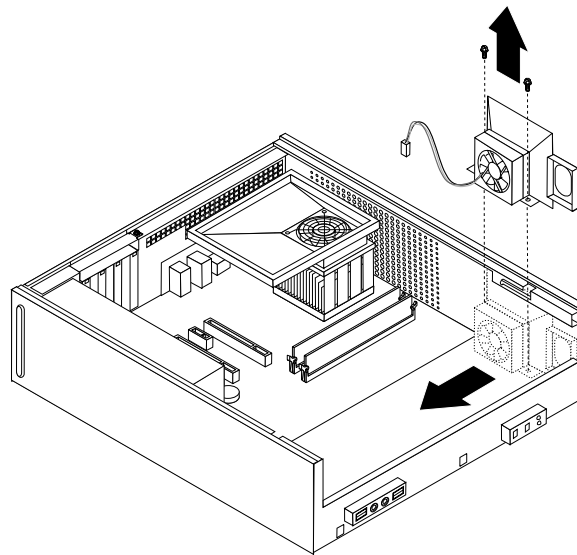
5. Note the front panel assembly cable routing and remove the assembly from the chassis.
6. Route the cable for the new front panel card assembly through the hole in the chassis and to the system board.

7. Install the front panel card assembly into the chassis and secure it with the screw.
8. Connect the front panel assembly cables to the system board.
9. Align the drive bay assembly with the two slots and rails on the sides of the chassis and slide the drive bay assembly towards the rear of the chassis until it snaps into position.
10. Reinstall the front bezel.
11. Go to “Completing the FRU replacement” on page 88.

Replacing the system fan assembly

This procedure describes how to remove and replace the system fan assembly.

1. Remove cover. See “Removing the cover” on page 71.
2. To access system board components. See “Accessing system board components and drives” on page 72.
3. Remove the hard disk drive. See “Replacing the hard disk drive” on page 82.
4. Disconnect the system fan cable from the system board. See “System board connectors” on page 70.
5. Remove the two screws securing the system fan assembly.
6. Remove the system fan assembly by pulling the bracket outward and lifting it up from the system board to remove completely.

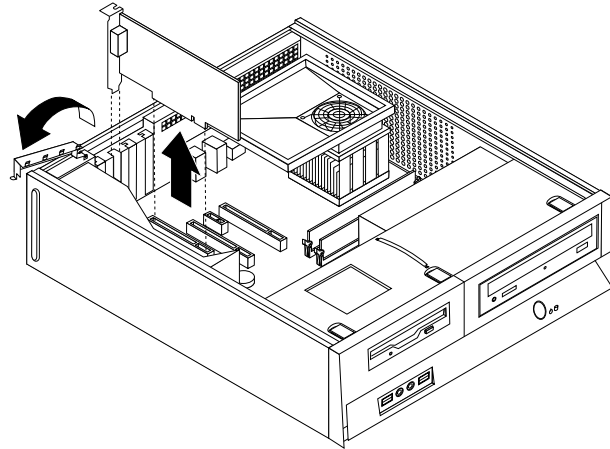


7. Install the new system fan assembly and install the two screws that secure the fan assembly.
8. Connect the system fan cable to the system fan connector on the system board.
9. Reinstall the hard disk drive. See “Replacing the hard disk drive” on page 82.
10. Align the drive bay assembly with the two slots and rails on the sides of the chassis and slide the drive bay assembly towards the rear of the chassis until it snaps into position.
11. Reinstall the front bezel.
12. Go to “Completing the FRU replacement” on page 88.

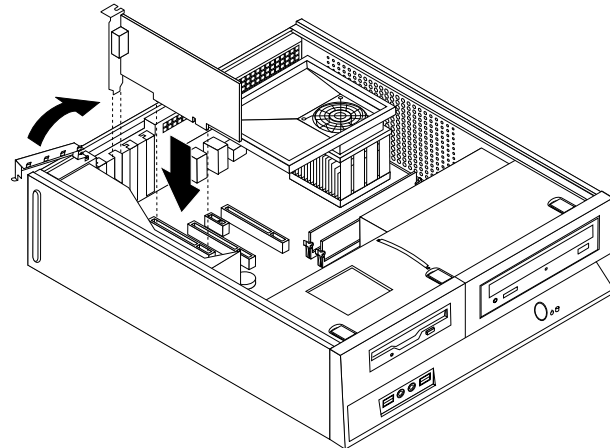
Replacing a PCI adapter

This procedure describes how to remove and replace a PCI adapter.

1. Remove cover. See “Removing the cover” on page 71.
2. Open the adapter latch and remove the failing adapter.



3. Remove the new adapter from its static-protective package.
4. Install the new adapter into the appropriate connector on the system and close the adapter latch.



5. Go to “Completing the FRU replacement” on page 88.

Completing the FRU replacement

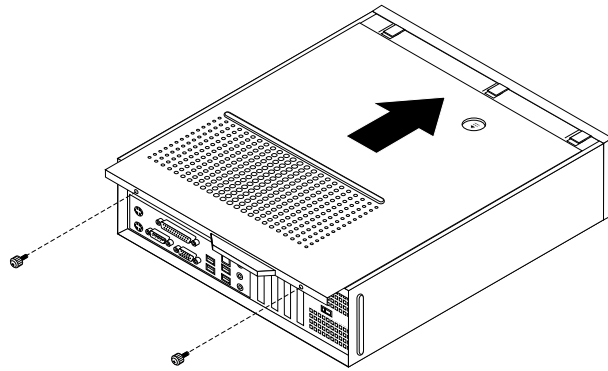
After replacing FRUs, you need to install any removed parts, replace the cover, and reconnect any cables, including telephone lines and power cords. Also, depending on the FRU that is replaced, you might need to confirm the updated information in the Setup Utility program.

Note: When the power cord is first plugged in, the computer might appear to turn on for a few seconds and then turn off. This is a normal sequence to enable the computer to initialize.

1. Ensure that all components have been reassembled correctly and that no tools or loose screws are left inside your computer.
2. Reposition any cables that might impede the replacement of the computer cover.

Important: Correctly route all power supply cables to avoid interference with the drive bay assembly. Keep cables clear of the hinges and sides of the computer chassis.

3. Position the computer cover on the chassis so that the rail guides on the sides of the cover engage the rails and push the cover to the closed position until it snaps into position.



4. If the cover is secured with thumbscrews, install them.
5. Reconnect the external cables and power cords to the computer. See “Rear connectors” on page 69.
6. If you have replaced the system board, you must update (flash) the BIOS. See “Updating (flashing) BIOS from a CD-ROM or diskette” on page 775.
7. Some FRU replacements require the configuration to be updated. See Chapter 6 “Diagnostics, Test and Recovery Information” on page 41.

Chapter 9. Replacing FRUs (Types 7064, 7094, 9349, 9356, 9357, 9439, 9488, 9702, 9708, 9709, 9789, 9851, 9948)

Important

Before you replace any FRU, read “Important Safety Information” on page 1. These precautions and guidelines will help you work safely.

FRU replacements are to be done by trained service technicians only.

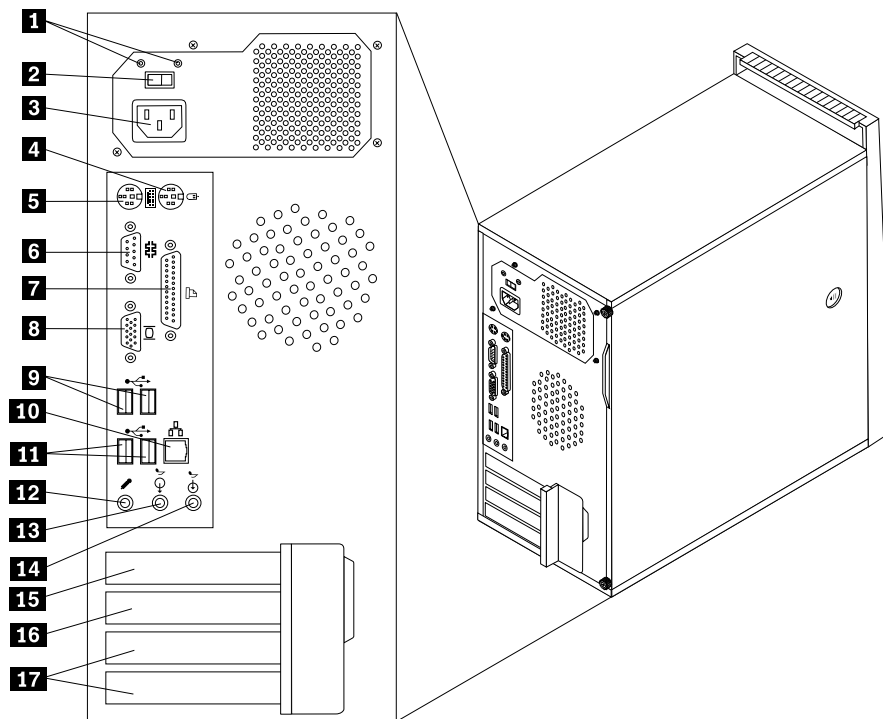
This chapter does not contain a remove and replace procedure for all FRUs. Only the major FRUs are documented.

Locations

The following illustrations help you locate the various connectors, controls, and components of the computer.

Rear connectors

The following illustration shows the locations of the connectors on the rear of the computer.

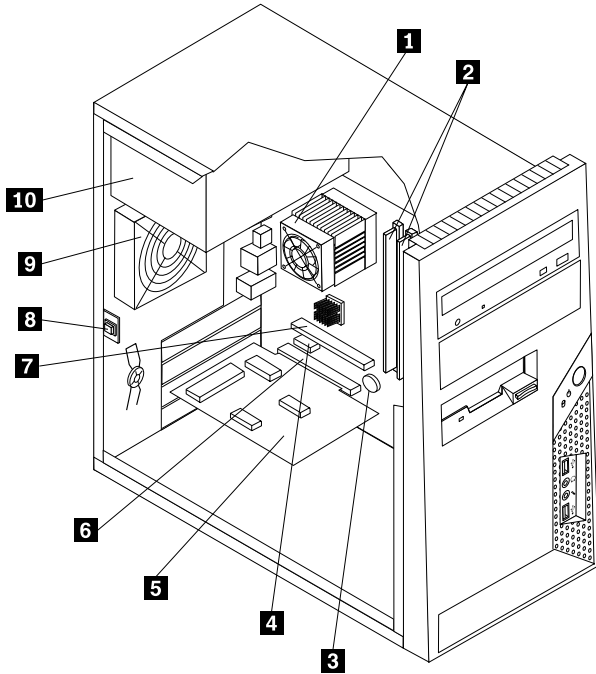


- | | | | |
|----------|--|-----------|--------------------------|
| 1 | Power supply diagnostic LEDs (some models) | 10 | Ethernet connector |
| 2 | Voltage selection switch (some models) | 11 | USB connectors (2) |
| 3 | Power connector | 12 | Microphone connector |
| 4 | Standard mouse connector | 13 | Audio line out connector |

- | | | | |
|----------|-----------------------------|-----------|--|
| 5 | Standard keyboard connector | 14 | Audio line in connector |
| 6 | Serial connector | 15 | PCI Express x16 graphics adapter connector |
| 7 | Parallel connector | 16 | PCI Express x1 adapter connector |
| 8 | VGA monitor connector | 17 | PCI adapter connectors (2) |
| 9 | USB connectors (2) | | |

Computer components

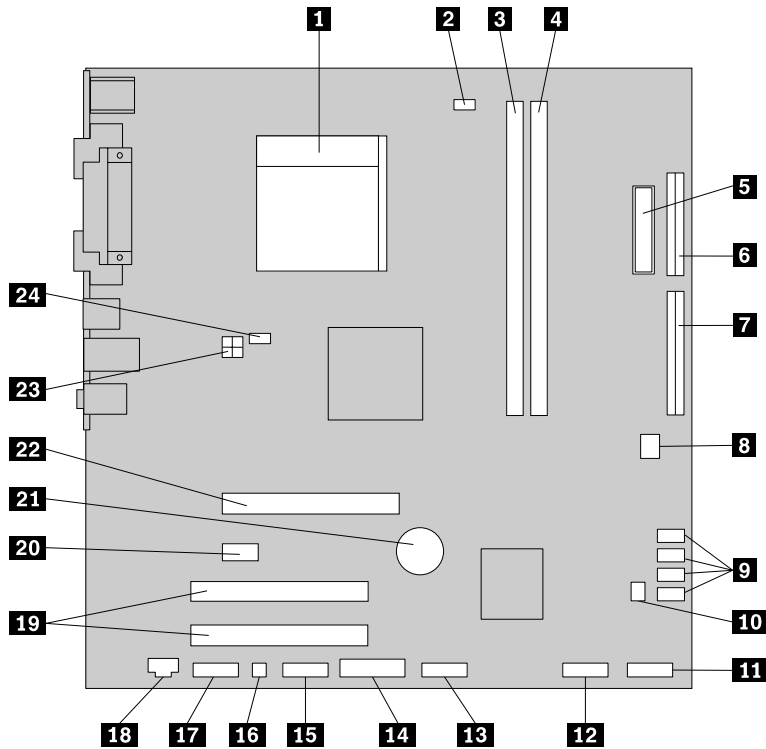
The following illustration will help you locate the major FRUs in the computer.



- | | | | |
|----------|----------------------------------|-----------|--|
| 1 | Microprocessor fan and heat sink | 6 | PCI adapter connector |
| 2 | Memory modules (2) | 7 | PCI Express x16 graphics adapter connector |
| 3 | Battery | 8 | Cover presence (Intrusion) switch |
| 4 | PCI Express x1 adapter connector | 9 | Rear fan assembly |
| 5 | PCI adapter card | 10 | Power supply |

System board connectors

This illustration is to help locate the various components and connectors on the system board.



- | | | | |
|-----------|------------------------------|-----------|--|
| 1 | Microprocessor and heat sink | 13 | Front USB connector |
| 2 | Microprocessor fan connector | 14 | TCM header connector |
| 3 | Memory connector 1 | 15 | Serial (COM) connector |
| 4 | Memory connector 2 | 16 | Internal speaker connector |
| 5 | Power connector | 17 | Front audio connector |
| 6 | Diskette drive connector | 18 | CD_IN connector |
| 7 | IDE connector | 19 | PCI adapter connectors (2) |
| 8 | Power fan connector | 20 | PCI Express x1 adapter connector |
| 9 | Serial ATA connectors (4) | 21 | Battery |
| 10 | Clear CMOS/Recovery jumper | 22 | PCI Express x16 graphics adapter connector |
| 11 | Front panel connector | 23 | 12 V power connector |
| 12 | Front USB connector | 24 | System fan connector |

Removing the cover

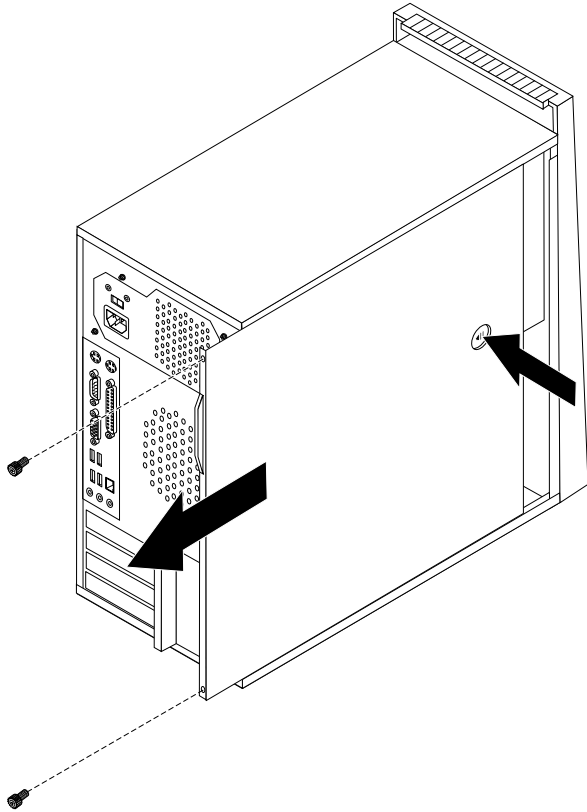
Important

Read Chapter 2 “Safety information” on page 3 and “Handling electrostatic discharge-sensitive devices” on page 6 before opening the cover.

This procedure describes how to remove the cover.

1. Shut down the operating system, remove any media (DVDs, CDs, or tapes) from the drives, and turn off all attached devices.
2. Unplug all power cords from electrical outlets.

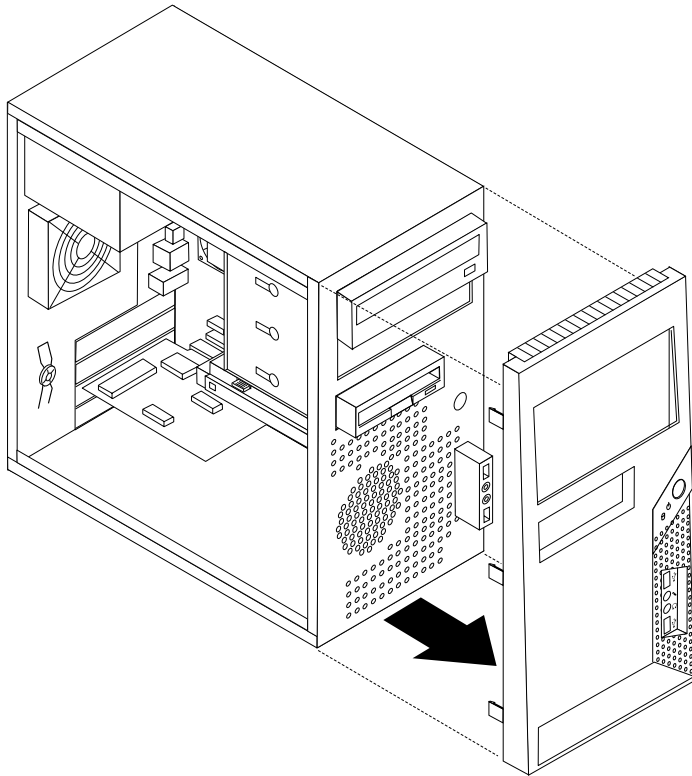
3. Disconnect all cables attached to the computer. This includes power cords, input/output (I/O) cables, and any other cables that are connected to the computer.
4. If there are thumb screws securing the cover, remove them.
5. Press the button on the left-side cover and slide the cover to the rear to remove.



Removing and replacing the front bezel

This procedure describes how to remove and replace the front bezel.

1. Remove the computer cover. See “Removing the cover” on page 93.
2. Remove the front bezel by releasing the three plastic tabs inside the chassis and pivoting the bezel outward. Carefully set the bezel to the side without disconnecting the power switch and LED assembly cable.



3. To reinstall the bezel, align the plastic tabs on the right side of the bezel with the corresponding holes in the chassis, then pivot it inward until it snaps into position on the left side.
4. Go to “Completing the FRU replacement” on page 117.

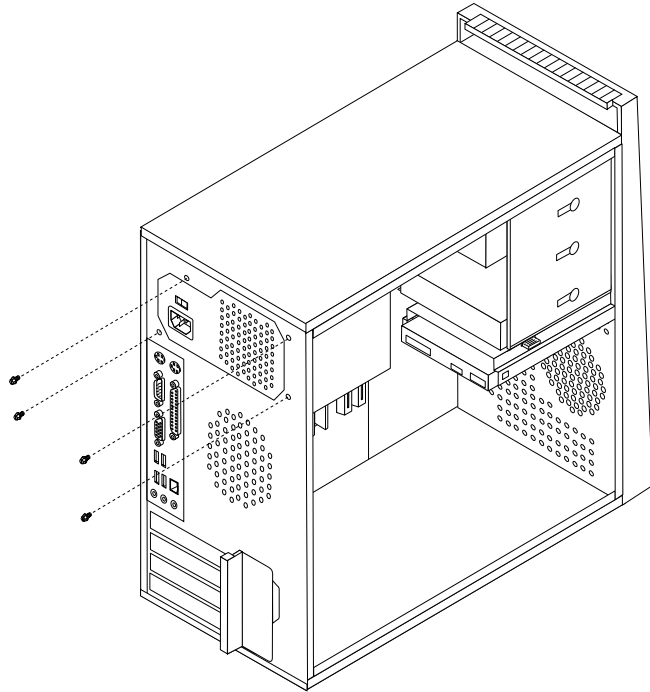
Replacing the power supply

This procedure describes how to remove and replace the power supply.

1. Remove the computer cover. See “Removing the cover” on page 93.

Note: For this procedure, it helps to lay the computer on its side.

2. Disconnect the power supply cables from the system board and from all drives.
3. Remove the four screws that secure the power supply at the rear of the chassis.



4. Lift the power supply out of the chassis.
 5. If the power supply has a voltage-selection switch, ensure that it is set to match the voltage available at the electrical outlet.
 - If the voltage supply range in your local country or region is 100-127 V ac, set the switch to 115 V.
 - If the voltage supply range in your local country or region is 200-240 V ac, set the switch to 230 V.
 6. Install the new power supply into the chassis so that the screw holes in the power supply align with those in the chassis.
 7. Install the four screws to secure the power supply.
- Note:** Use only the screws provided by Lenovo.
8. Reconnect the power supply connectors to the system board. See “System board connectors” on page 92.
 9. Reconnect a power supply connector to each of the drives.
 10. Go to “Completing the FRU replacement” on page 117.

Replacing the system board

This procedure describes how to remove and replace the system board. The procedure varies depending upon the machine type.

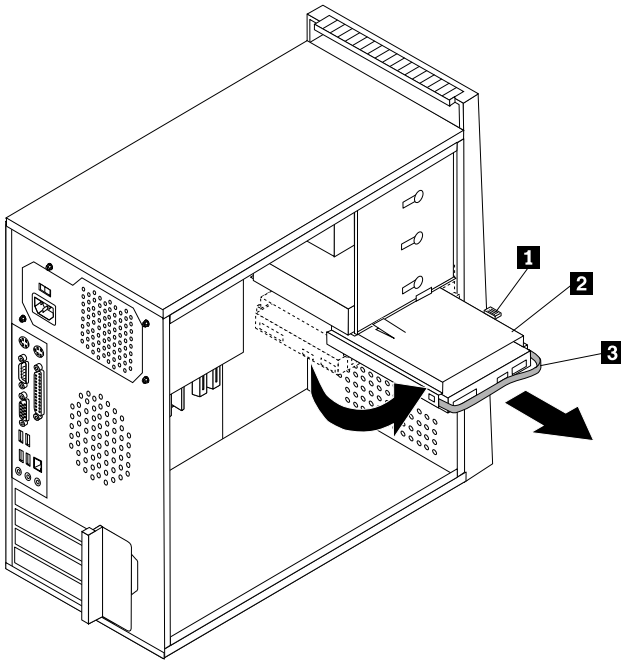
Important

The heat sink and microprocessor might be very hot. Make sure these components are cool enough to safely handle before continuing this procedure.

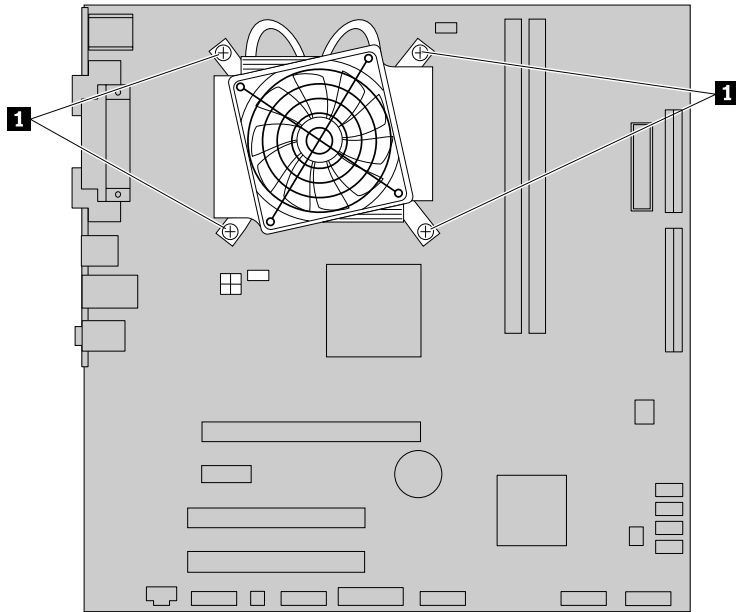
Note: When replacing the system board you must also order a new retention module for the new system board. Make sure you have a retention module for the new system board before continuing with this procedure.

1. Remove the cover. See “Removing the cover” on page 93.
2. Place the computer on its right side to help make the system board more accessible.
3. Remove any adapter cards installed in the PCI connectors.

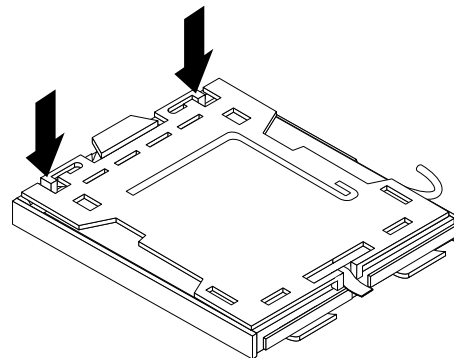
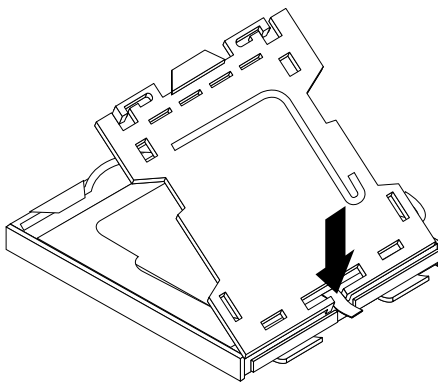
4. Disconnect the signal and power cables from the hard disk drive.
5. Press the release tab **1** down, slide the hard drive cage **2** back, and pivot the hard disk drive outward as shown.

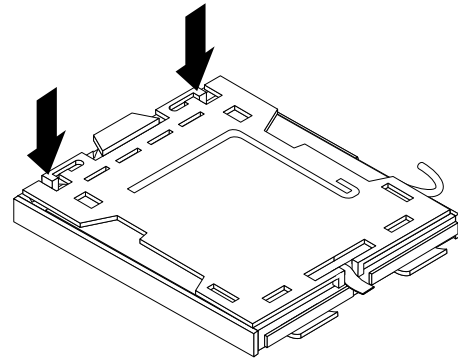
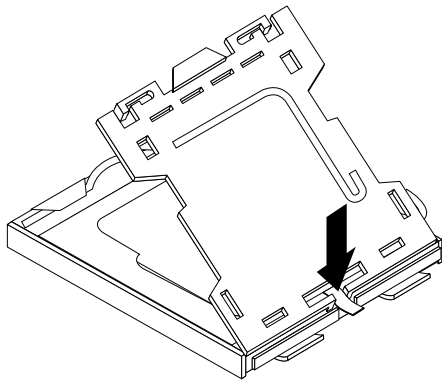


6. Carefully take note of the location of all cable connections on the system board and disconnect all cables. See the system board illustration for your machine type at “System board connectors” on page 92.
7. Remove the screws that secure the system board to the chassis.
8. Lift the system board out of the chassis.
9. Remove the memory modules from the failing system board and install them in the same location on the new system board.
10. Disconnect the heat sink and fan assembly cable from the system board. See the system board illustration for your machine type at “System board connectors” on page 92.
11. Remove the four screws **1** securing the heat sink and fan assembly to the system board.



12. Lift the heat sink and fan assembly off the failing system board. Place the heat sink on its side so that the thermal grease does not come in contact with anything.
13. Remove the microprocessor from the failing system board. See “Replacing the microprocessor” on page 100.
14. The failing system board must be returned with a microprocessor socket cover to protect the pins during shipping and handling. Install the microprocessor socket cover removed from the new system board on the failing system board. To install the microprocessor socket cover:
 - a. Make sure the microprocessor has been removed from the microprocessor socket, and then close the microprocessor retainer and lock it into position with the small handle.
 - b. Insert the tabs **1** of the socket cover into the hinged side of the socket, and then press the other side of the socket cover downward until the tabs **2** snap into position.





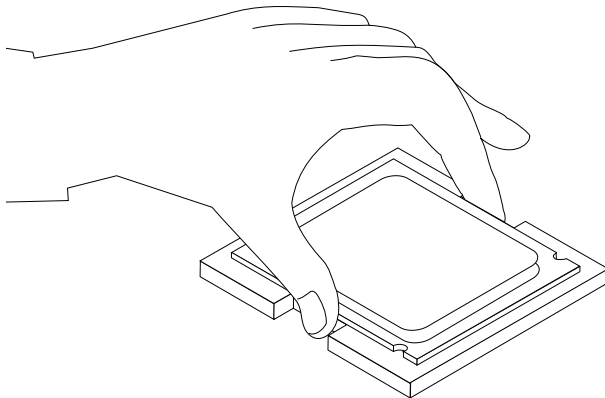
15. On the new system board, release the lever securing the microprocessor retainer and then pivot the retainer until it is fully open.

Note: There will be a black plastic cover on the microprocessor retainer to protect the socket on the new system board. Remove the black plastic cover and place it on the microprocessor socket of the failing system board.

16. Holding the microprocessor with your fingers, position the microprocessor so that the notches on the microprocessor are aligned with the tabs in the microprocessor socket.

Important: To avoid damaging the microprocessor contacts, do not tilt the microprocessor when installing it into the socket.

17. Lower the microprocessor straight down into the system board socket of the new system board.



18. To secure the microprocessor in the socket, close the microprocessor retainer and lock it into position with the small handle.
19. Install the new retention module (if required) on the new system board.
20. Install the heat sink and fan assembly on the system board.
21. Connect the heat sink and fan assembly cable to the new system board. See the system board illustration for your machine type at “System board connectors” on page 92.
22. Install the new system board into the chassis and align the screw holes with those in the chassis. Insert and tighten the screws that secure the system board.
23. Pivot the hard disk drive back into position.
24. Connect the power and signal cables to the hard disk drive.
25. Connect all cables to the system board. See the system board illustration for your machine type at “System board connectors” on page 92.
26. Go to “Completing the FRU replacement” on page 117.

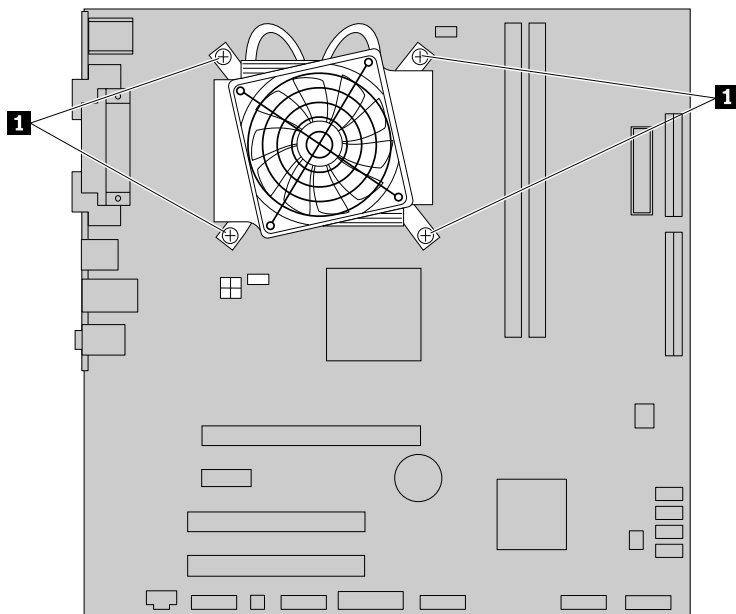
Replacing the microprocessor

This procedure describes how to remove and replace the microprocessor. The procedure varies depending upon the machine type.

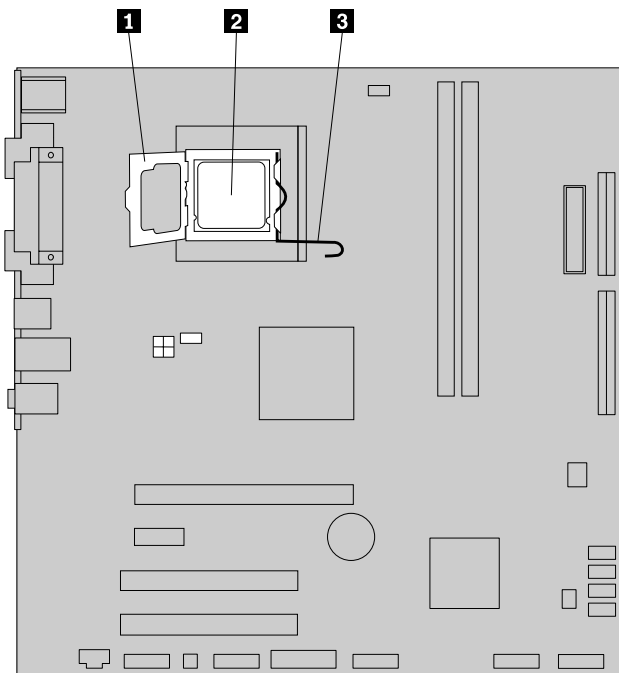
Important

The heat sink and microprocessor might be very hot. Make sure these components are cool enough to safely handle before continuing this procedure.

1. Remove the side cover. See “Removing the cover” on page 93.
2. Place the computer on its right side to help make the microprocessor more accessible.
3. Disconnect the heat sink and fan assembly cable from the system board. See the system board illustration for your machine type at “System board connectors” on page 92.
4. Remove the four screws **1** securing the heat sink and fan assembly to the system board.

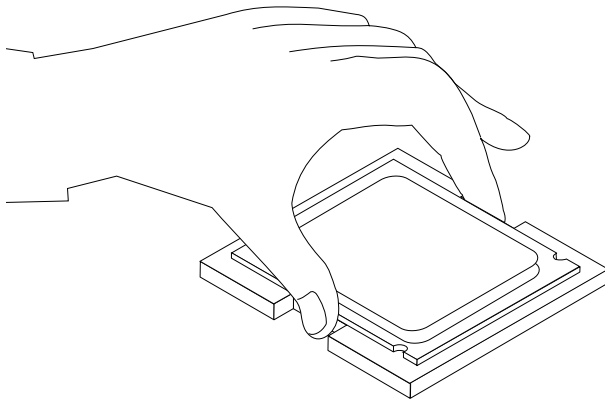


5. Lift the heat sink and fan assembly off the failing system board. Place the heat sink on its side so that the thermal grease does not come in contact with anything.
6. To remove the microprocessor **2** from the system board, lift the small handle **3** and open the retainer **4**.

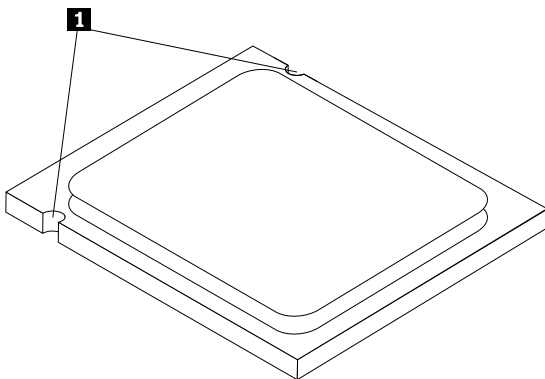


Important: Touch only the sides of the microprocessor. Do not touch the gold contacts on the bottom.

7. Lift the microprocessor straight up and out of the socket.

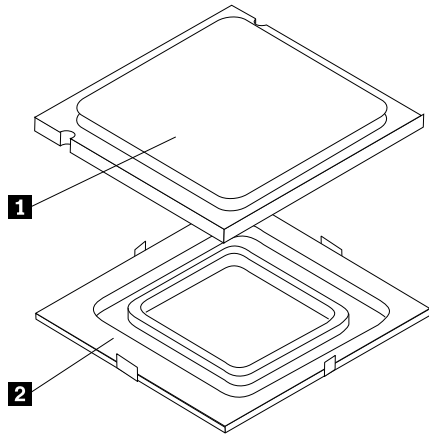


- a. Note the orientation of the notches **1** on the microprocessor. This is important when reinstalling the microprocessor on the new system board.



- b. Do not drop anything onto the microprocessor socket while it is exposed. The socket pins must be kept as clean as possible.

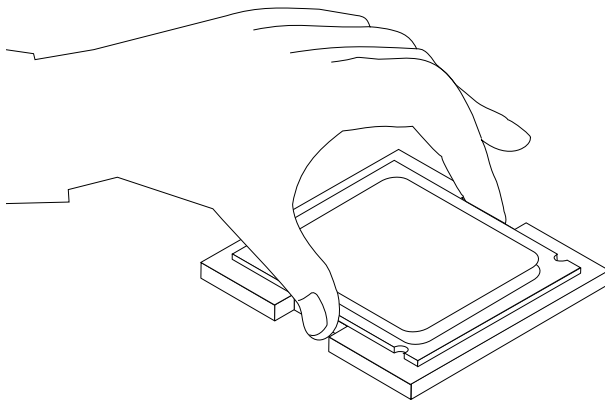
8. Make sure that the microprocessor retainer is fully open.
9. Holding the microprocessor with your fingers, remove the protective cover **2** that protects the gold contacts on the new microprocessor **1**.



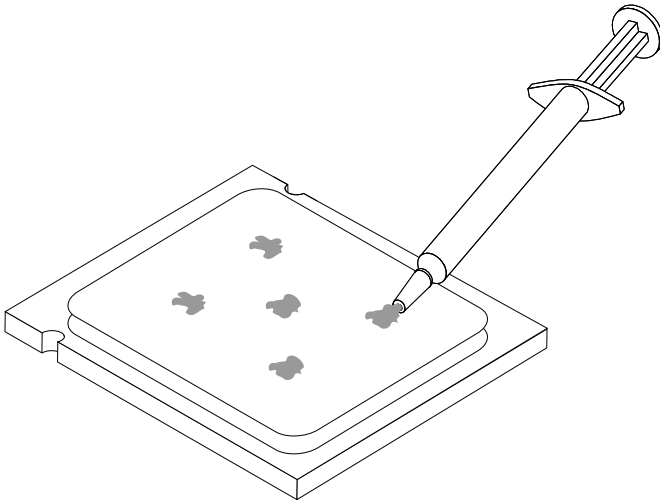
10. Holding the microprocessor with your fingers, position the microprocessor so that the notches on the microprocessor are aligned with the tabs in the microprocessor socket.

Important: To avoid damaging the microprocessor contacts, do not tilt the microprocessor when installing it into the socket.

11. Lower the microprocessor straight down into the system board socket of the system board.



12. To secure the microprocessor in the socket, close the microprocessor retainer and lock it into position with the small handle.
13. Use the thermal grease syringe to place five drops of grease on the top of the microprocessor. Each drop of grease should be 0.03ml (3 tick marks on the grease syringe).



14. Install the heat sink and fan assembly on the system board.
15. Connect the heat sink and fan assembly cable to the system board. See the system board illustration for your machine type at “System board connectors” on page 92.
16. Go to “Completing the FRU replacement” on page 117.

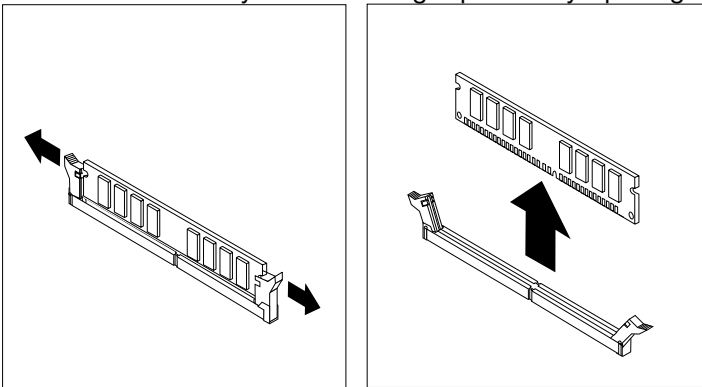
Replacing a memory module

This procedure describes how to remove and replace a memory module.

1. Remove the computer cover. See “Removing the cover” on page 93.

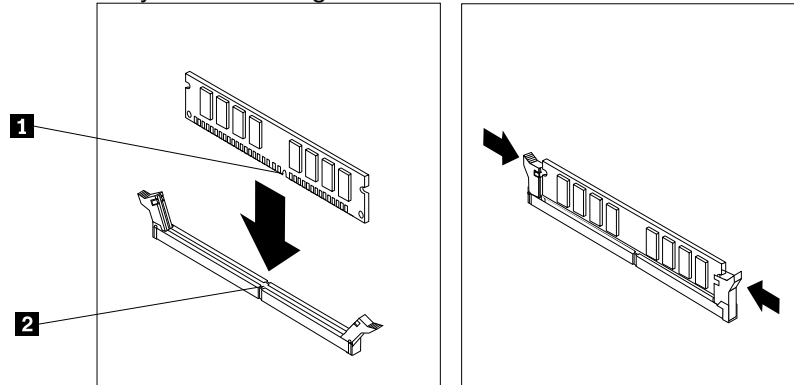
Note: For this procedure, it helps to lay the computer on its side.

2. Locate the memory module connectors. See “System board connectors” on page 92.
3. Remove the memory module being replaced by opening the retaining clips as shown.



4. Position the new memory module over the memory connector. Make sure the notch **1** on the memory aligns correctly with the connector key **2** on the system board. Push

the memory module straight down into the connector until the retaining clips close.

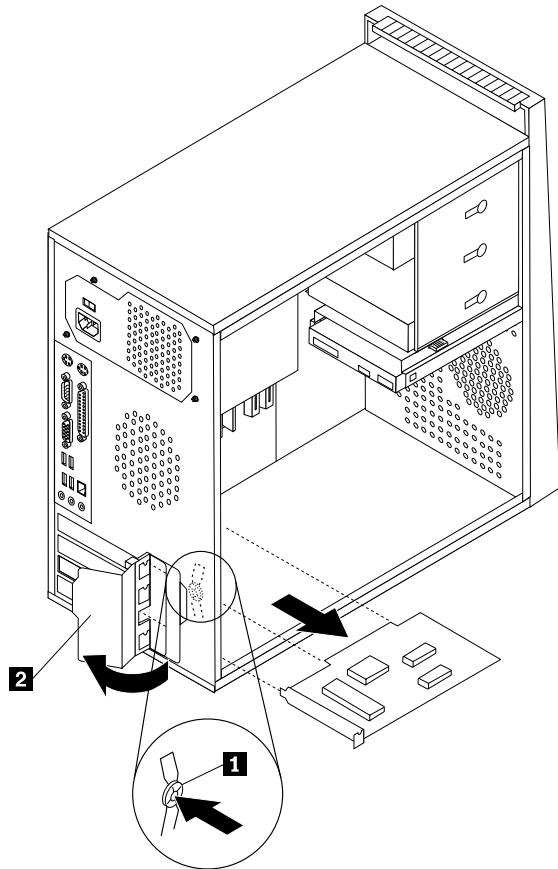


5. Go to “Completing the FRU replacement” on page 117.

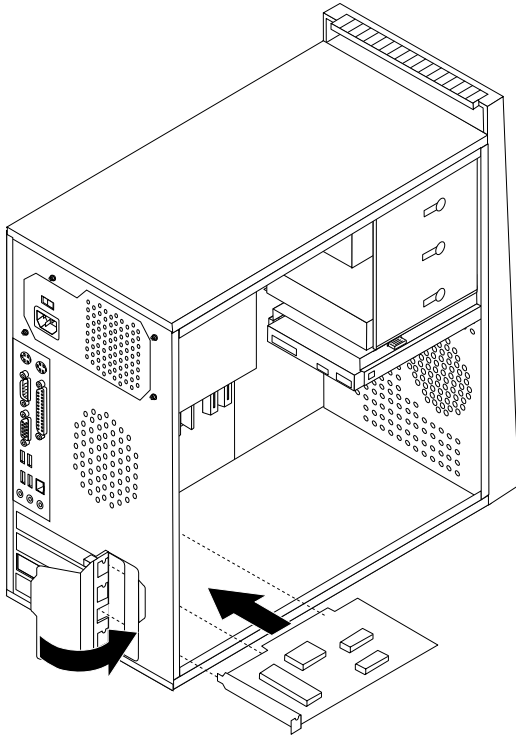
Replacing a PCI adapter

This procedure describes how to remove and replace a PCI adapter.

1. Remove the computer cover. See “Removing the cover” on page 93.
2. At the rear of the computer, press the release button **1** to open the adapter latch **2** and remove the adapter by pulling it straight out of the adapter connector.



3. Install the new adapter into the same adapter connector.



4. Ensure the adapter is fully seated into the adapter connector.
5. At the rear of the computer, pivot the adapter latch to the closed position to secure the adapter.
6. Go to “Completing the FRU replacement” on page 117.

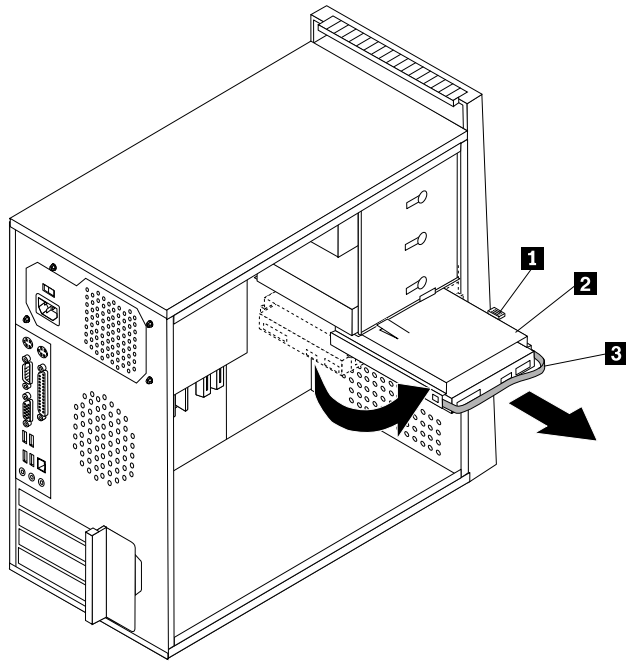
Replacing the primary hard disk drive

Important

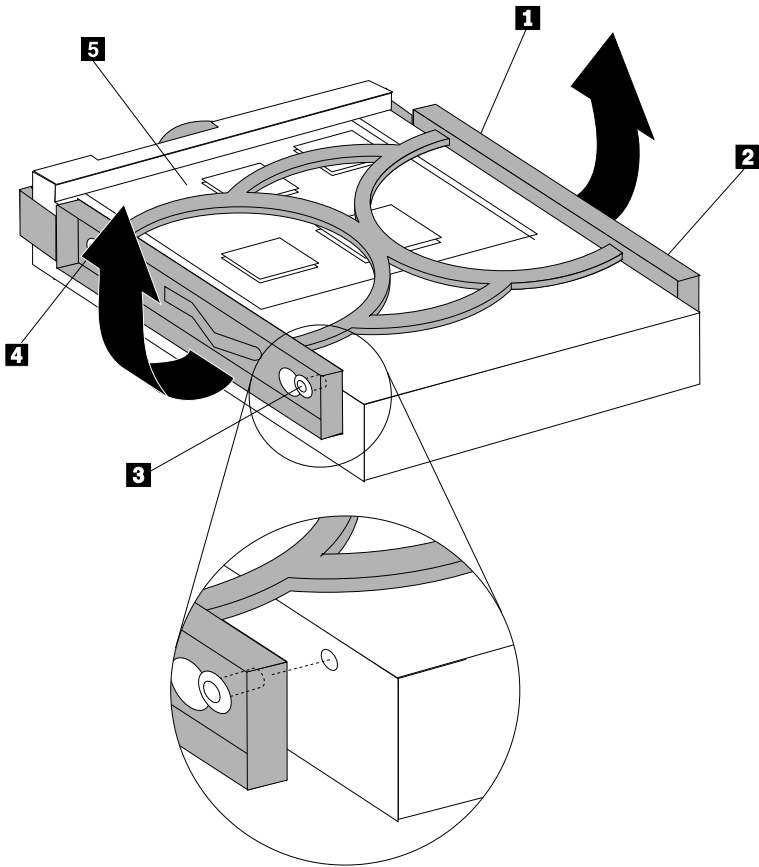
When a new hard disk drive is installed, a set of *Product Recovery* discs might be required. The set of *Product Recovery* discs enable the contents of the hard disk to be restored to the same state as when the computer was originally shipped from the factory. For more information on recovering factory-installed software, refer to "Recovering Software" in the *User Guide*.

This procedure describes how to remove and replace the primary hard disk drive.

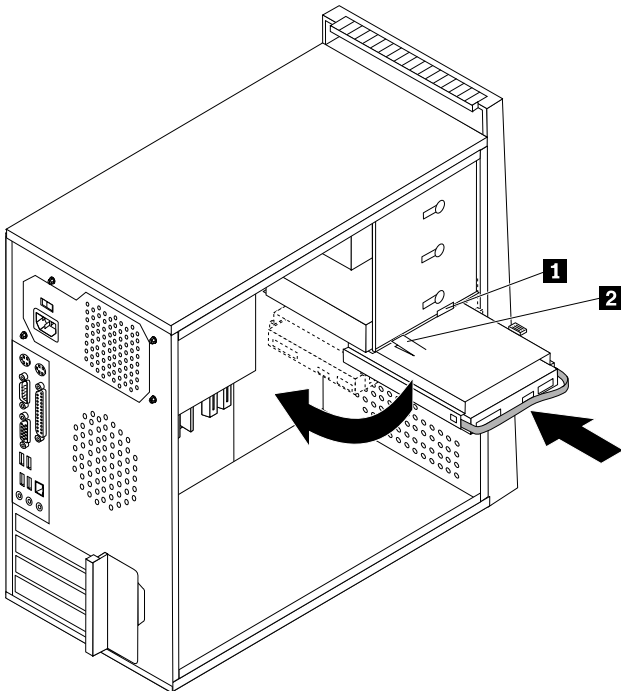
1. Remove the computer cover. See “Removing the cover” on page 93.
Note: For this procedure, it helps to lay the computer on its side.
2. Disconnect the signal and power cables from the hard disk drive.
3. Press the release tab **1** down, slide the hard drive cage **2** back, and pivot the hard disk drive outward as shown.



4. Remove the hard disk drive cage from the chassis by simply sliding it outward.
5. Pull on the blue handle **3** to remove hard disk drive from the drive cage.
6. Remove the failing hard disk drive from the blue plastic bracket from by flexing the sides of the bracket enough to free it from the hard disk drive.
7. To install the new drive into the blue bracket, flex the bracket, and align the pins **1** through **4** on the bracket with the holes in the hard disk drive. Do not touch the circuit board **5** on the bottom of the hard disk drive.



8. Slide the new hard disk drive into the drive cage until it snaps into position.
9. Align the drive cage pivot pin with the slot **1** in the upper drive cage and slide the hard disk drive into the chassis.



10. Press down on the metal latch **2** and pivot in the drive cage into place. Slide it forward until it snaps into position.

Note: There are two arrows, one on the upper drive cage and one on the hard disk drive cage, that are aligned when the hard disk drive is in the proper position.

11. Connect the power and signal cables to the hard disk drive.

12. Go to “Completing the FRU replacement” on page 117.

Replacing the secondary hard disk drive

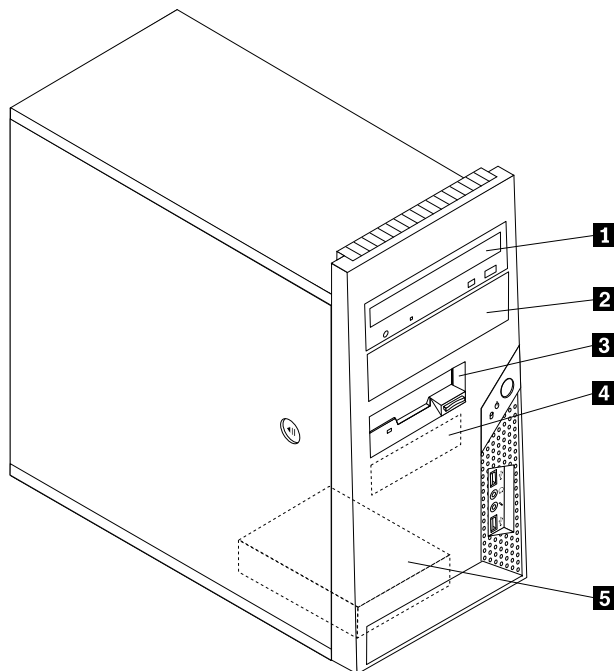
This procedure provides instructions on how to replace the secondary hard disk drive.

Important

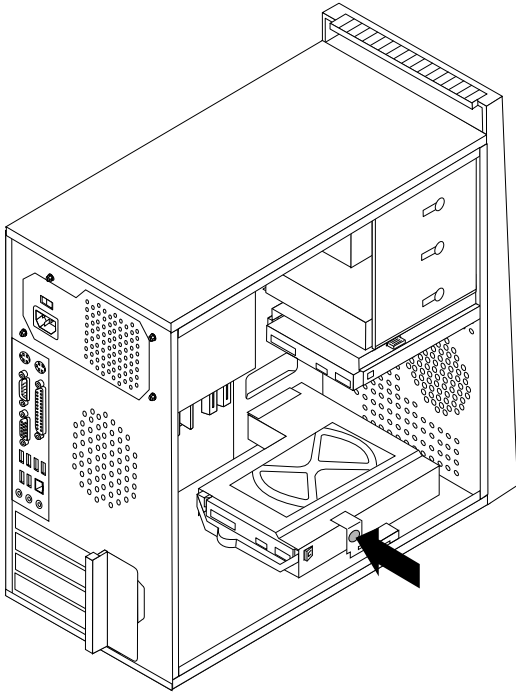
When a new hard disk drive is installed, a set of *Product Recovery* discs might be required. The set of *Product Recovery* discs enable the contents of the hard disk to be restored to the same state as when the computer was originally shipped from the factory. For more information on recovering factory-installed software, refer to "Recovering Software" in the *User Guide*.

To replace the secondary hard disk drive:

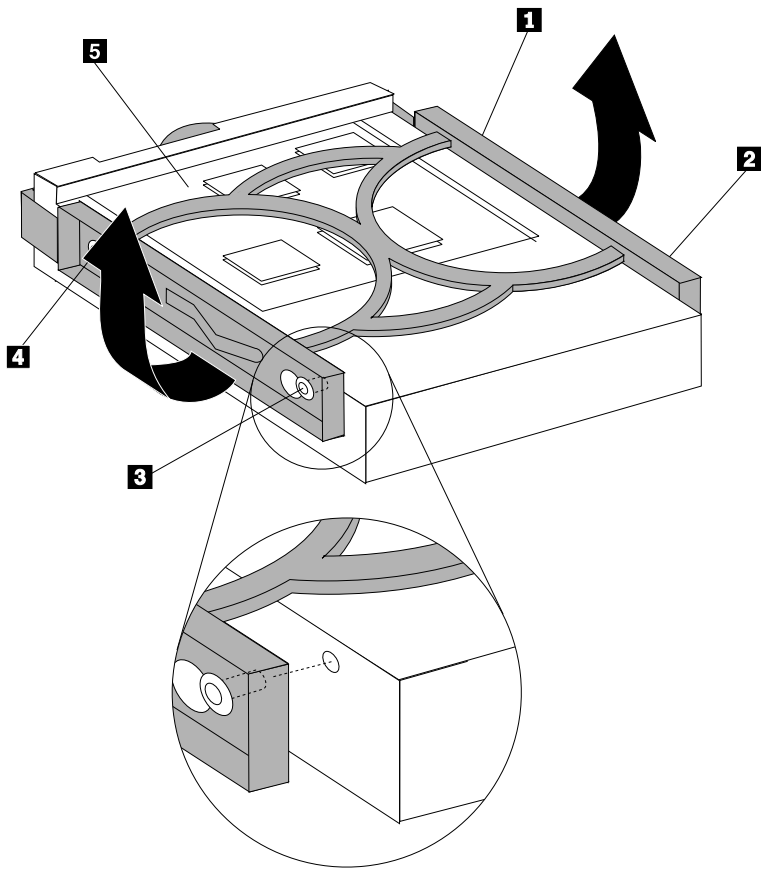
1. Remove the computer cover. See “Removing the cover” on page 93.
2. Locate the secondary hard disk drive **5**.



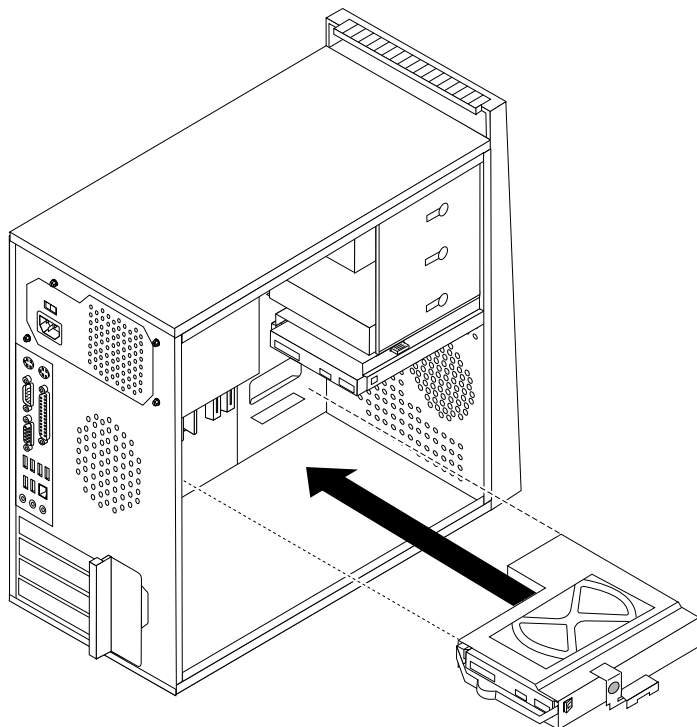
3. Disconnect the signal and power cables from the hard disk drive.
4. Press the blue release button to release the hard drive cage from the chassis.



5. Remove the hard drive cage from the chassis by simply sliding it outward.
6. Pull on the blue handle to release and remove the hard disk drive from the hard drive cage.
7. Remove the hard disk drive from the blue plastic bracket by flexing the sides of the bracket enough to slide it free of the hard disk drive.
8. To install the new hard disk drive into the blue bracket, flex the bracket and align the pins **1** through **4** on the bracket with the holes in the hard disk drive. Do not touch the circuit board **5** on the bottom of the hard disk drive.



9. Slide the new hard disk drive into the hard drive cage until it snaps into position.
10. Install the hard drive cage into the chassis until it snaps into position underneath the metal tab. Make sure that the hard drive cage is secure in the chassis.

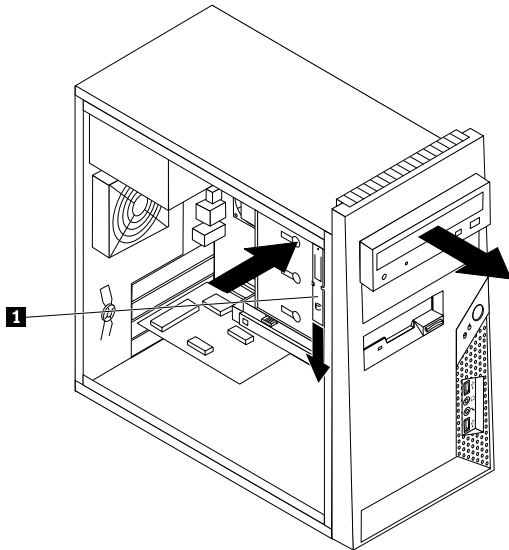


11. Connect the signal and power cables to the rear of the new hard disk drive.
12. Go to “Completing the FRU replacement” on page 117.

Replacing an optical drive

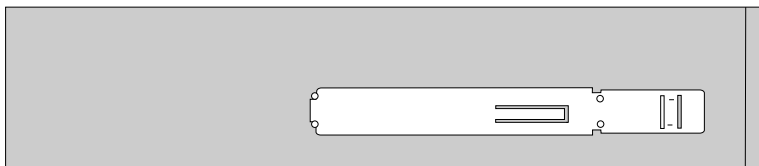
This procedure describes how to remove and replace an optical drive.

1. Remove the computer cover. See “Removing the cover” on page 93.
2. Disconnect the signal and power cables from the rear of the optical drive.
3. Press the release button and remove the optical drive out the front of the computer.



Note: Notice that there is a spare retainer bracket **1** attached to the upper drive cage.

4. Remove the retainer bracket from the drive being replaced and install it on the new drive.

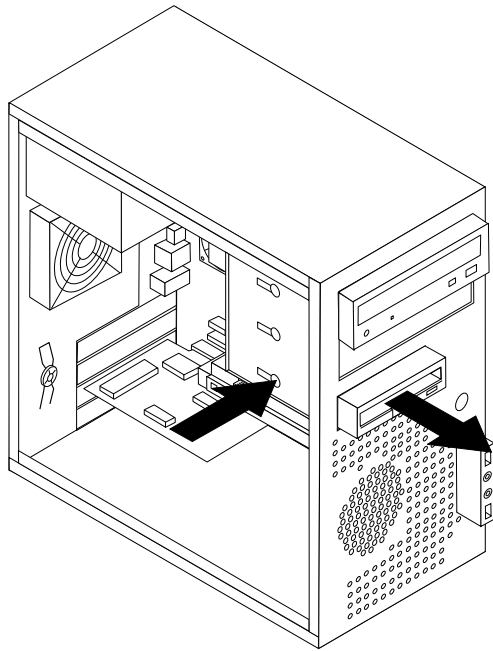


5. Slide the new optical drive into the bay from the front until it snaps into position.
6. Connect the signal and power cables to the drive.
7. Go to “Completing the FRU replacement” on page 117.

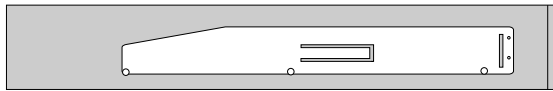
Replacing the diskette drive

This procedure describes how to remove and replace the diskette drive.

1. Remove the computer cover. See “Removing the cover” on page 93.
2. Remove the front bezel. See “Removing and replacing the front bezel” on page 94.
3. Disconnect the signal and power cables from the rear of the diskette drive.
4. Press the release button and slide the diskette drive out the front of the computer.



5. Remove the retainer bracket from the failing diskette drive and install it on the new diskette drive.

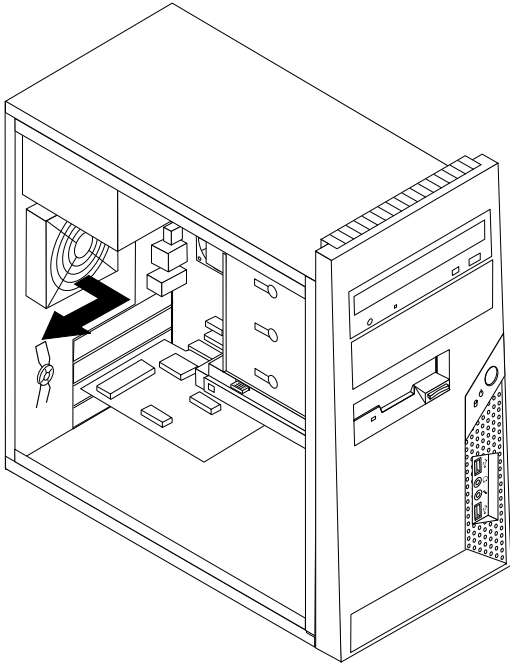


6. Slide the new diskette drive into the drive bay until it snaps into position.
7. Connect the signal and power cables to the drive.
8. Go to “Completing the FRU replacement” on page 117.

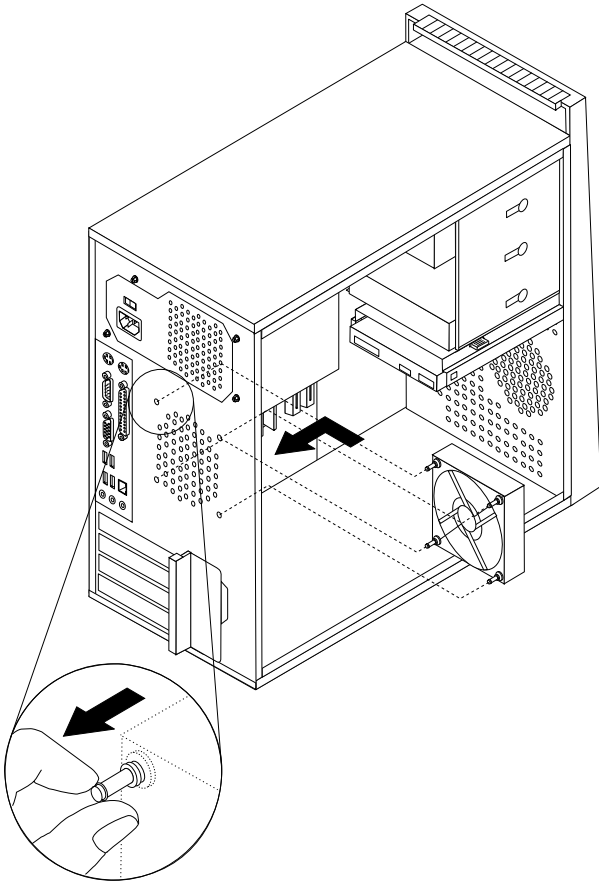
Replacing the rear fan assembly

This procedure describes how to remove and replace the system fan.

1. Remove the computer cover. See “Removing the cover” on page 93.
2. Note the routing of the rear fan cable to the system board. Disconnect the rear fan cable from the system fan connector on the system board. See “System board connectors” on page 92.
3. The fan assembly is mounted with four rubber mounts that protrude through the rear of the chassis. Remove the fan assembly by pulling the rubber mounts back through the chassis.



4. Install the new rear fan assembly by aligning the rubber mounts of the system fan assembly with the holes on the chassis and push the rubber mounts through the holes.



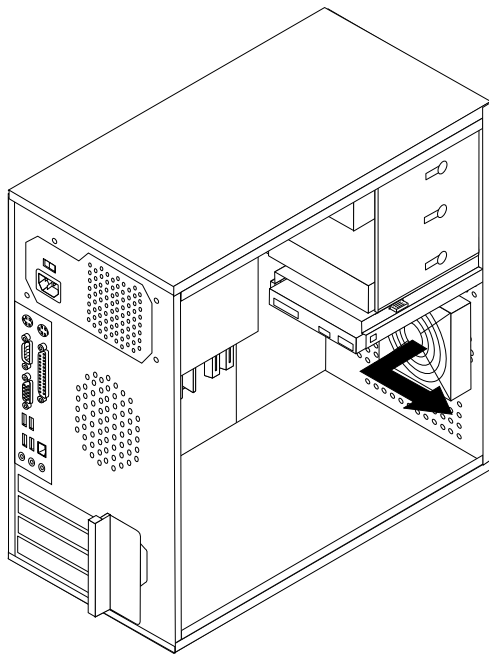
5. Pull on the tips of the rubber mounts until the fan assembly is in place.

6. Route the fan cable to the system board and connect the cable to the system board. See “System board connectors” on page 92.
7. Go to “Completing the FRU replacement” on page 117.

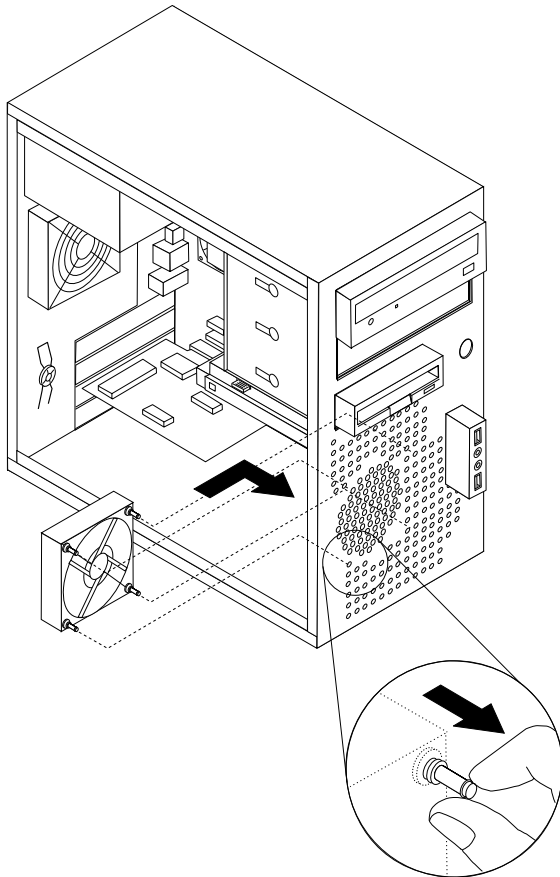
Replacing the front fan assembly

This procedure describes how to remove and replace the front fan assembly.

1. Remove the computer cover. See “Removing the cover” on page 93.
2. Remove the front bezel. See “Removing and replacing the front bezel” on page 94.
3. Note the routing of the front fan cable to the system board. Disconnect the front fan assembly cable from the system board. See “System board connectors” on page 92.
4. The fan assembly is mounted with four rubber mounts that protrude through the front of the chassis. Remove the fan assembly by pulling the rubber mounts back through the chassis.



5. Install the new front fan assembly by aligning the rubber mounts of the front fan assembly with the holes on the chassis and push the rubber mounts through the holes.
6. Pull on the tips of the rubber mounts until the fan assembly is in place.



7. Route the fan cable to the system board and connect the cable to the system board. See “System board connectors” on page 92.
8. Replace the front bezel.
9. Go to “Completing the FRU replacement” on page 88.

Replacing the front audio/USB assembly

This procedure describes how to remove and replace the front audio/USB assembly.

1. Remove the computer cover. See “Removing the cover” on page 93.
2. Remove the front bezel. See “Removing and replacing the front bezel” on page 94
3. Disconnect the front audio/USB assembly cable from the system board. See the system board illustration for your machine type at “System board connectors” on page 92.
4. Note the front audio/USB assembly cable routing and remove the screw that secures the assembly to the chassis.
5. Remove the front audio/USB assembly.
6. Route the cable for the new front audio/USB assembly through the hole in the chassis and to the system board.
7. Install the front audio/USB assembly into the chassis and secure it with the screw.
8. Connect the front audio/USB assembly cable to the system board.
9. Reinstall the front bezel.
10. Go to “Completing the FRU replacement” on page 117.

Replacing the power switch/LED assembly

This procedure describes how to remove and replace the power switch/LED assembly.

1. Remove the computer cover. See “Removing the cover” on page 93.
2. Remove the front bezel. See “Removing and replacing the front bezel” on page 94
3. Disconnect the power switch/LED assembly cable from the system board. See the system board illustration for your machine type at “System board connectors” on page 92.
4. Note the power switch/LED assembly cable routing and the position of the two LEDs.
5. Remove the switch/LED from the bezel.
6. Route the cable for the new power switch/LED assembly through the hole in the chassis and to the system board.
7. Install the new power switch/LED assembly into the bezel. Make sure that the LEDs are in the correct position.
8. Connect the power switch/LED cable to the system board.
9. Reinstall the front bezel.
10. Go to “Completing the FRU replacement” on page 117.

Replacing the CMOS battery

This procedure describes how to remove and replace the CMOS battery.

If the CMOS battery fails, the date, time, and configuration information (including passwords) are lost. An error message is displayed when you turn on the computer.

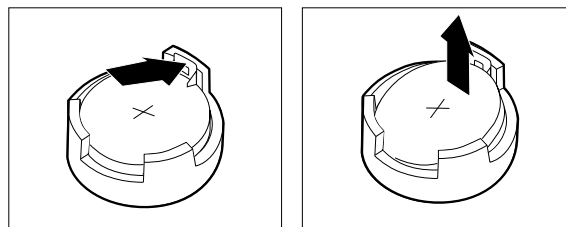
Important

Refer to “Safety notices (multi-lingual translations)” on page 6 for information about replacing and disposing of the battery.

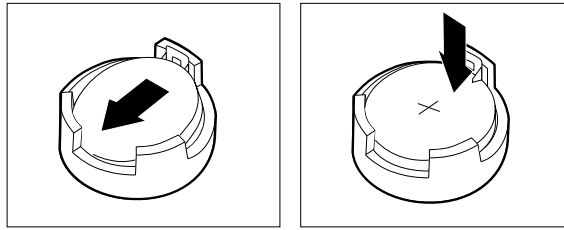
CAUTION:

When replacing the lithium battery, use only Part Number 33F8354 or an equivalent type battery recommended by the manufacturer.

1. Remove the computer cover. See “Removing the cover” on page 93.
2. Locate the battery. See the system board illustration for your machine type at “System board connectors” on page 92.
3. You might have to remove any PCI adapters that impede access to the battery.
4. Remove the old battery.



5. Install the new battery.



6. Replace any PCI adapters that were removed.

Note: When the computer is turned on for the first time after battery replacement, an error message might be displayed. This is normal after replacing the battery.

7. Go to “Completing the FRU replacement” on page 117.

Completing the FRU replacement

After replacing FRUs, you need to install any removed parts, replace the cover, and reconnect any cables, including telephone lines and power cords. Also, depending on the FRU that is replaced, you might need to confirm the updated information in the Setup Utility program.

Note: When the power cord is first plugged in, the computer might appear to turn on for a few seconds and then turn off. This is a normal sequence to enable the computer to initialize.

1. Ensure that all components have been reassembled correctly and that no tools or loose screws are left inside your computer.
2. Replace the cover.
3. Reconnect the external cables and power cords to the computer. See “Rear connectors” on page 91.
4. If you have replaced the system board, you must update (flash) the BIOS. See “Updating (flashing) BIOS from a CD-ROM or diskette” on page 775.
5. Some FRU replacements require the configuration to be updated. See Chapter 6 “Diagnostics, Test and Recovery Information” on page 41.

Chapter 10. Replacing FRUs (Types 7066, 7098, 9352, 9359, 9482, 9487, 9622, 9704, 9785, 9794, 9807, 9859, 9952)

Important

Before you replace any FRU, read Chapter 2 “Safety information” on page 3. These precautions and guidelines will help you work safely.

FRU replacements are to be done by trained service technicians only.

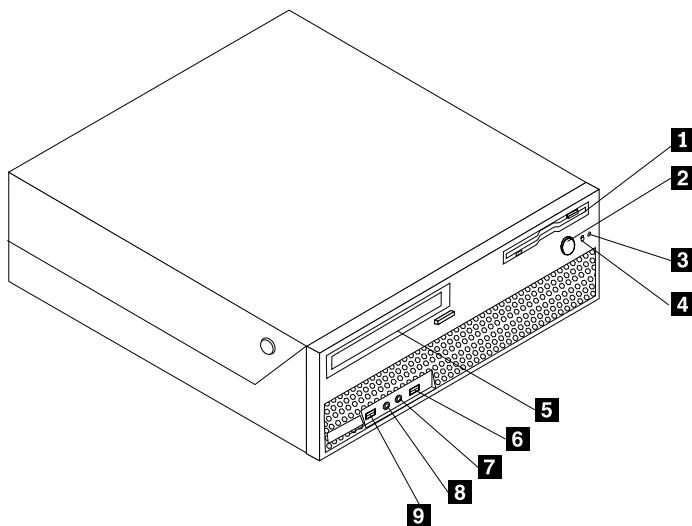
This chapter does not contain a remove and replace procedure for all FRUs. Only the major FRUs are documented.

Locations

This section provides illustrations to help locate the various connectors, controls, and components of the computer.

Front connectors

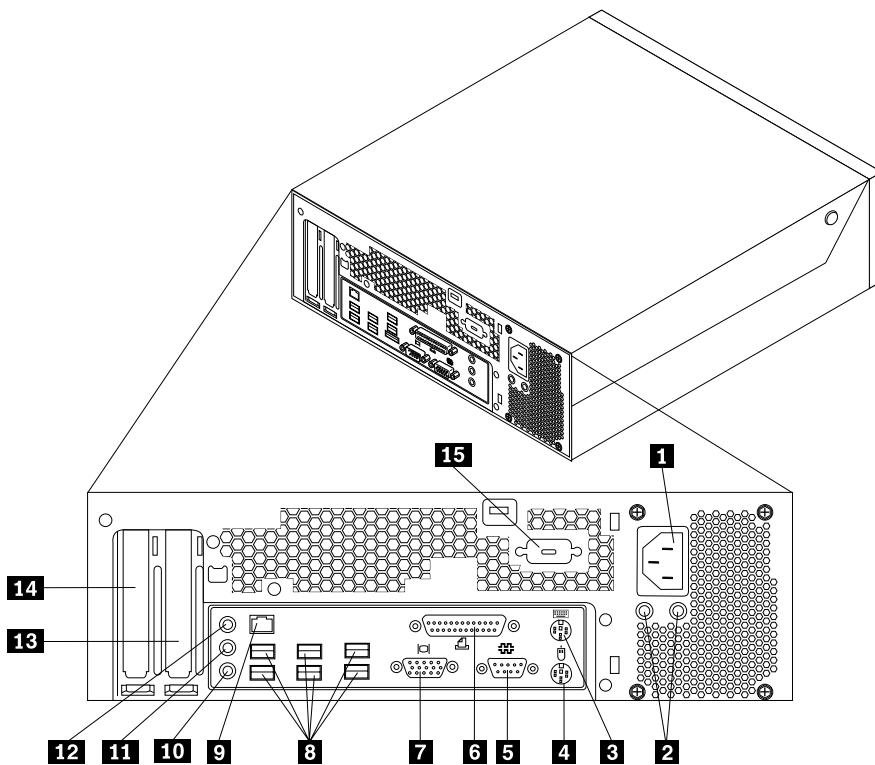
Note: Not all computer models will have the following controls and connections.



- | | | | |
|----------|------------------------------------|----------|----------------------|
| 1 | Diskette drive (some models) | 6 | USB connector |
| 2 | Power button | 7 | Microphone connector |
| 3 | Hard-disk-drive activity indicator | 8 | Headphone connector |
| 4 | Power-on indicator | 9 | USB connector |
| 5 | Optical drive (some models) | | |

Rear connectors

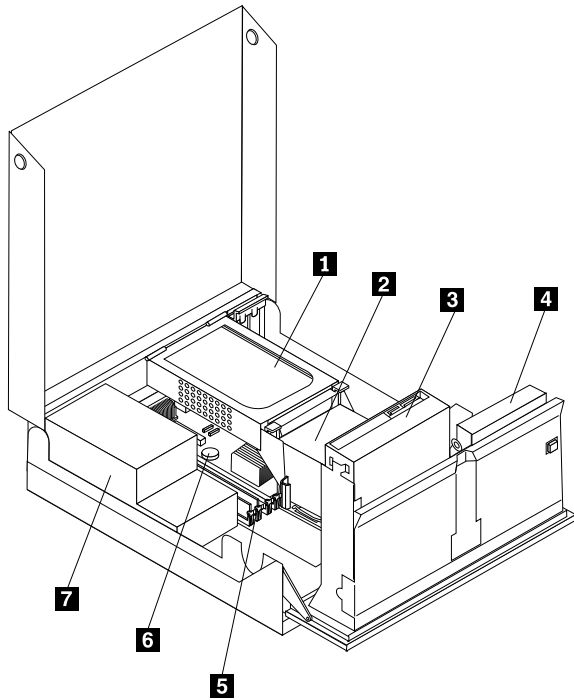
This illustration shows the location of connectors on the rear of your computer. Some connectors on the rear of your computer are color-coded to help you determine where to connect the cables on your computer.



- | | | | |
|----------|--|-----------|--|
| 1 | Power cord connector | 9 | Ethernet connector |
| 2 | Power-supply-diagnostic LEDs (some models) | 10 | Microphone |
| 3 | Keyboard connector | 11 | Audio-line-out connector |
| 4 | Mouse connector | 12 | Audio-line-in connector |
| 5 | Serial connector | 13 | PCI Express x16 graphics adapter connector |
| 6 | Parallel connector | 14 | PCI adapter connector |
| 7 | VGA-monitor connector | 15 | Serial connector (some models) |
| 8 | USB connectors (6) | | |

Computer components

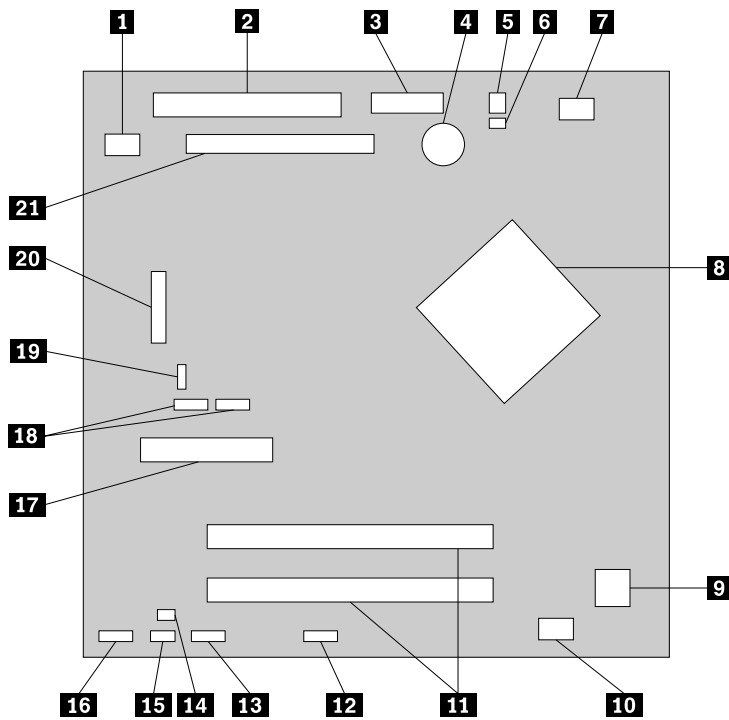
This illustration shows the location of the various components in your computer.



- | | | | |
|----------|---|----------|-----------------------|
| 1 | Hard disk drive | 5 | Memory connectors (2) |
| 2 | Microprocessor and heat sink | 6 | Battery |
| 3 | Optical drive (such as a CD or DVD drive) | 7 | Power-supply assembly |
| 4 | Diskette drive | | |

System board connectors

This illustration shows the location of parts on the system board.



- | | | | |
|-----------|---|-----------|---|
| 1 | CD in connector | 12 | Front USB2 connector |
| 2 | PCI connector | 13 | Front USB1 connector |
| 3 | Diskette Drive connector | 14 | BIOSWP |
| 4 | Battery | 15 | SPI debug connector |
| 5 | Speaker connector | 16 | COM2 connector |
| 6 | Cover presence switch (Tamper switch) connector | 17 | PSU Connector (2x12) |
| 7 | Microprocessor fan connector | 18 | SATA connector (2) |
| 8 | Microprocessor and heat sink | 19 | Clear CMOS/Recovery jumper |
| 9 | PSU connector (2x2) | 20 | Front Audio connector |
| 10 | Fan connector | 21 | PCI Express connector - Labeled on system board |
| 11 | Memory connectors (2) | | |

Opening the cover

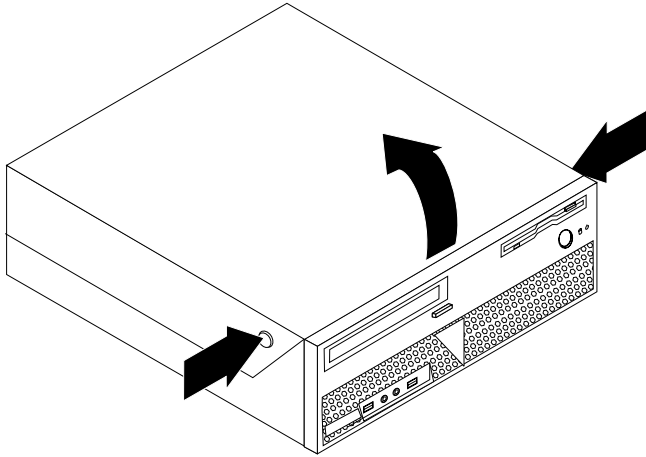
Important



Turn off your computer and wait 3 to 5 minutes to let the computer cool before opening the computer cover.

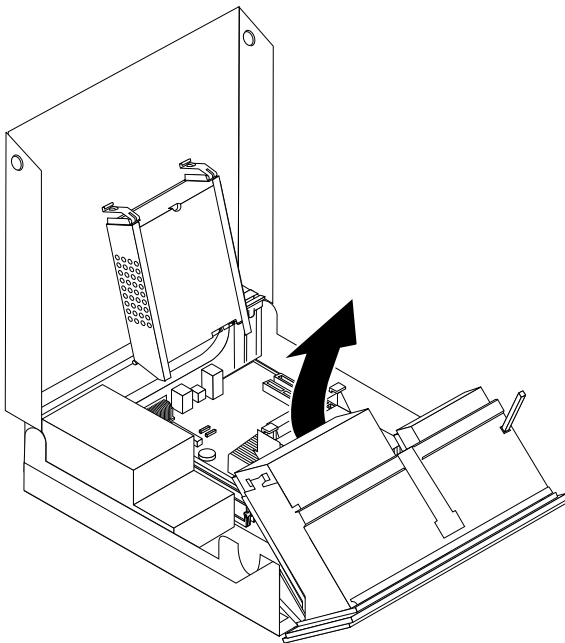
1. Remove any media (diskettes, CDs, or tapes) from the drives, shut down your operating system, and turn off all attached devices and the computer.
2. Unplug all power cords from electrical outlets.

3. Disconnect the cables attached to the computer. This includes power cords, input/output (I/O) cables, and any other cables that are connected to the computer. See “Front connectors” on page 119 and “Rear connectors” on page 119.
4. Remove any locking devices, such as a cable lock that secures the computer cover.
5. Press the buttons on the sides of the computer and pivot the cover upward to open the computer.



Accessing system board components and drives

1. Open the computer cover. See “Opening the cover” on page 122.
2. On some models, you might need to pivot the drive-bay assembly upward and pivot the hard disk drive upward to access the internal components.



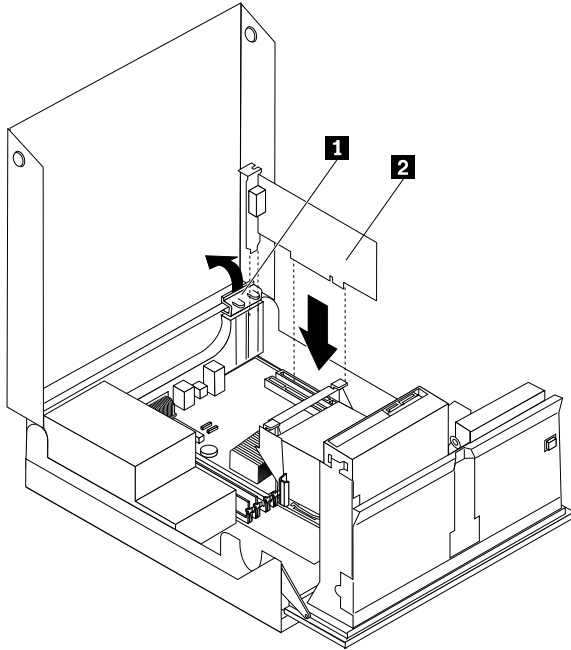
Note: Make sure you note the location of any cables that you disconnect from the drives or the system board.

Attention: You must return the hard disk drive assembly to the latched position before you close the cover to prevent damage to the hard disk drive assembly.

Replacing an adapter card

This section provides instructions on how to replace an adapter card.

1. Open the computer cover. See “Opening the cover” on page 122.
2. Rotate the adapter card retainer **1** to the open position.

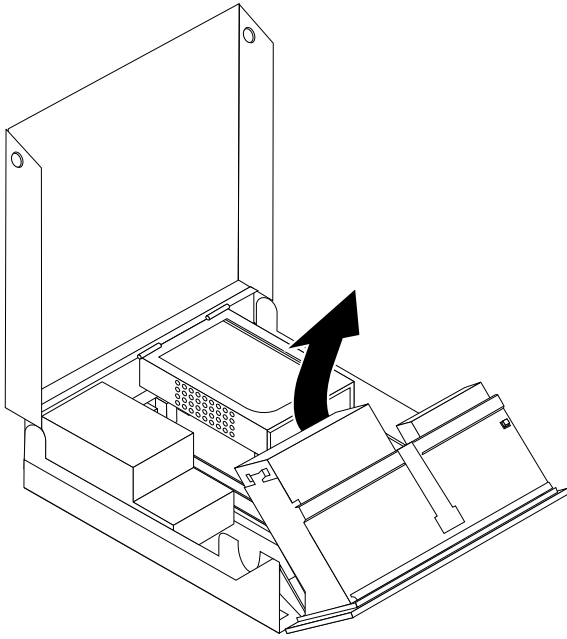


3. Remove the adapter card **2**.
4. Remove the new adapter from its static-protective package.
5. Install the new adapter card in the adapter card connector.
6. Ensure the adapter is fully seated into the adapter connector.
7. Close the adapter card retainer.
8. Go to “Completing the FRU replacement” on page 141.

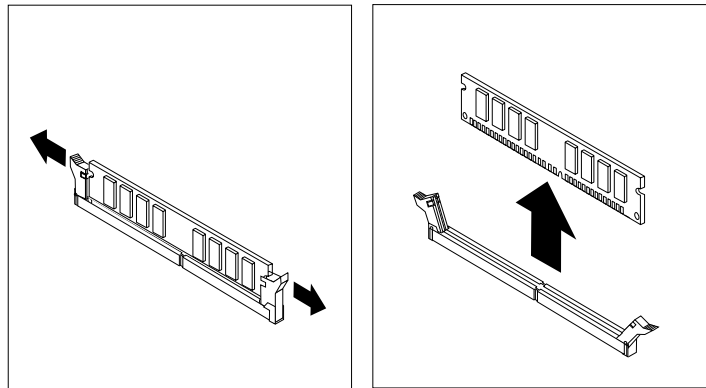
Replacing a memory module

This section provides instructions on how to replace a memory module.

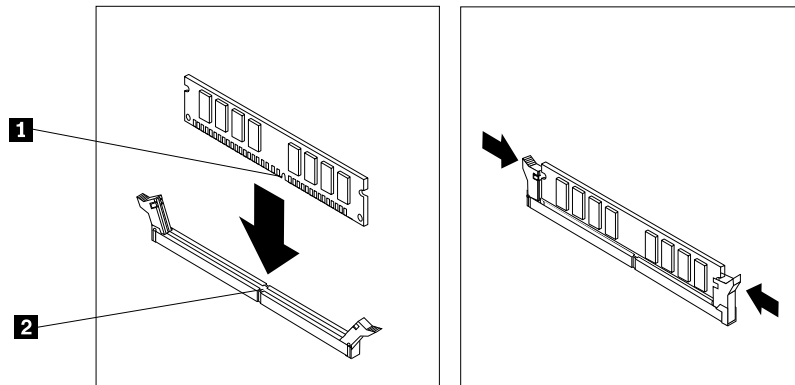
1. Open the computer cover. See “Opening the cover” on page 122.
2. Pivot the drive-bay assembly upward to gain access to the system board.



3. Locate the memory connectors. See “System board connectors” on page 121.
4. Remove the memory module being replaced by opening the retaining clips as shown.



5. Position the replacement memory module over the memory connector. Make sure the notch **1** on the memory module aligns correctly with the connector key **2** on the system board. Push the memory module straight down into the connector until the retaining clips close.



6. Go to “Completing the FRU replacement” on page 141.

Replacing the battery

This procedure describes how to remove and replace the battery.

If the CMOS battery fails, the date, time, and configuration information (including passwords) are lost. An error message is displayed when you turn on the computer.

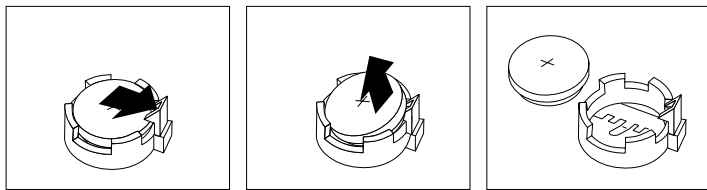
Important

Refer to “Safety notices (multi-lingual translations)” on page 6 for information about replacing and disposing of the battery.

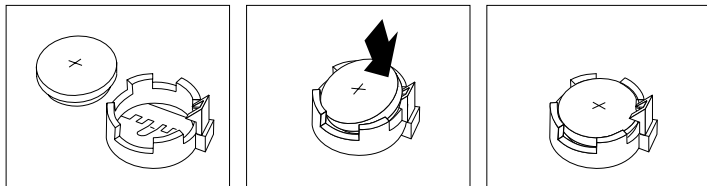
CAUTION:

When replacing the lithium battery, use only Part Number 33F8354 or an equivalent type battery recommended by the manufacturer.

1. Turn off the computer and disconnect the power cord from the electrical outlet and from the computer.
2. Open the computer cover. See “Opening the cover” on page 122.
3. Access the system board. See “Accessing system board components and drives” on page 123.
4. Locate the battery. See “System board connectors” on page 121.
5. Remove the old battery.



6. Install the new battery.



7. Close the computer cover, and connect the cables. See “Completing the FRU replacement” on page 141.

Note: When the computer is turned on for the first time after battery replacement, an error message might be displayed. This is normal after replacing the battery.

8. Use the Setup Utility program to set the date and time and any passwords. See “Starting the Setup Utility program” on page 41.
9. Go to “Completing the FRU replacement” on page 141.

Replacing the power supply

Attention

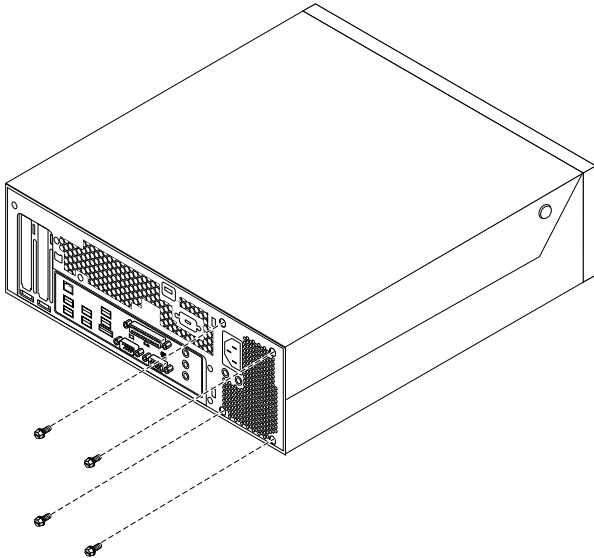
Never remove the cover on a power supply or any part that has the following label attached.



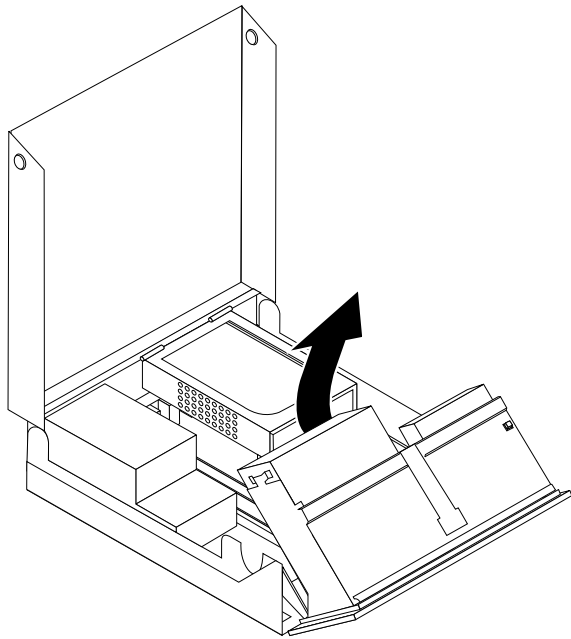
Hazardous voltage, current, and energy levels are present inside any component that has this label attached. There are no servicable parts inside these components.

This procedure describes how to remove and replace the power supply.

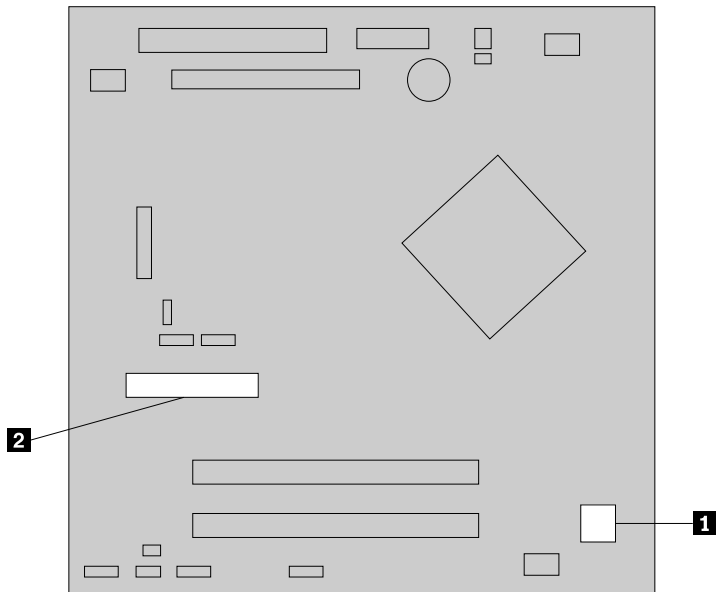
1. Remove any media (diskettes, CDs, or tapes) from the drives, shut down your operating system, and turn off all attached devices and the computer.
2. Unplug all power cords from electrical outlets.
3. Disconnect the cables attached to the computer. This includes power cords, input/output (I/O) cables, and any other cables that are connected to the computer. See “Front connectors” on page 119 and “Rear connectors” on page 119.
4. Remove the four screws at the rear of the chassis that secure the power supply.



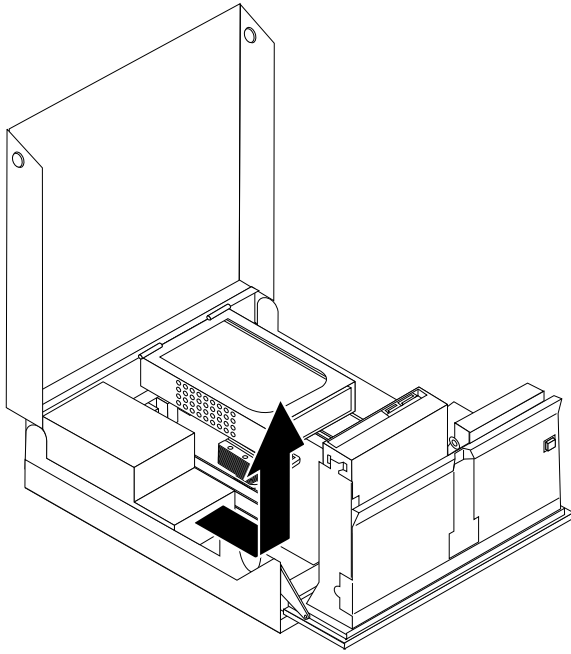
5. Open the computer cover. See “Opening the cover” on page 122.
6. Pivot the drive bay assembly upward to gain access to the system board.



7. Locate the power-supply assembly. See “Computer components” on page 120.
8. Disconnect the power supply cables **1** and **2** from the system-board connectors and from all drives.



9. Remove the power-supply cables from the cable clips and ties.
10. Slide the power-supply assembly toward the front of the chassis and remove it from the computer.



11. Install the new power-supply assembly into the chassis so that the screw holes in the power-supply assembly align with those in the chassis.

Note: Use only the screws provided by Lenovo.

12. Install and tighten the four screws at the rear of the chassis to secure the power-supply assembly.

13. Check the position of the voltage-selection switch on the rear of the computer. Use a ballpoint pen to slide the switch, if necessary.

Note: Some computers do not have a voltage switch. These computers automatically control the voltage.

- If the voltage supply range is 100–127 V ac, set the switch to 115 V.
- If the voltage supply range is 200–240 V ac, set the switch to 230 V.

14. Reconnect all the power supply cables to the drives and the system board.

15. Go to “Completing the FRU replacement” on page 141.

Replacing the system board

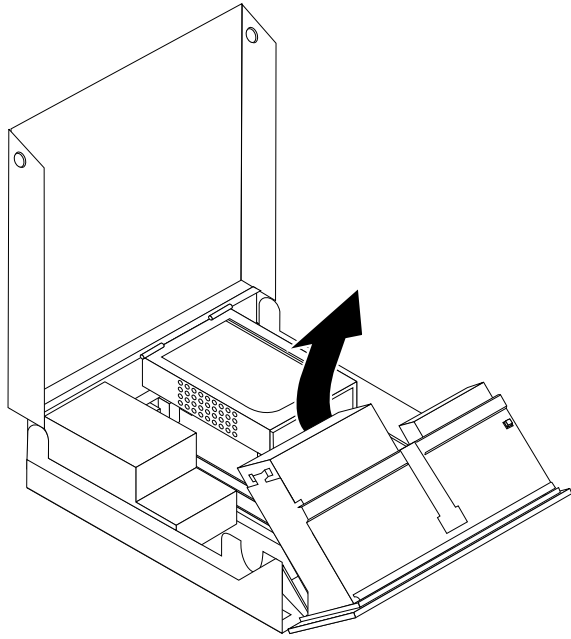
Important

The heat sink and microprocessor might be very hot. Make sure these components are cool enough to safely handle before continuing this procedure.

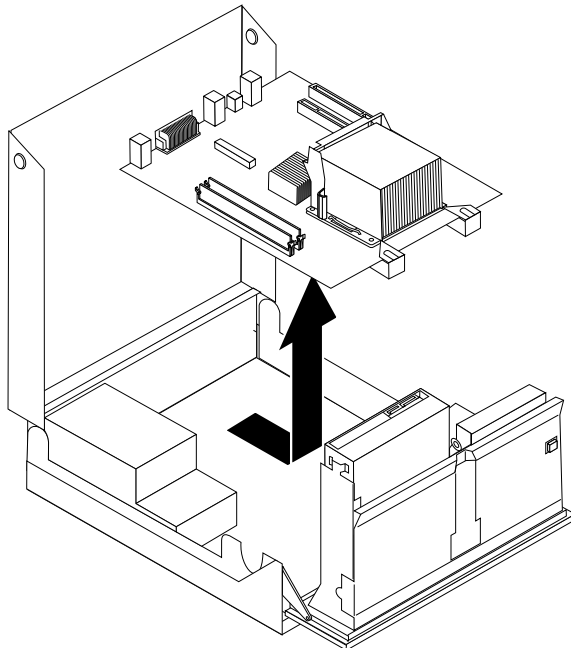
Note: When replacing the system board you must also order a new retention module for the new system board or remove the retention module from the failing system board and install it on the new system board.

This procedure describes how to remove and replace the system board.

1. Open the computer cover. See “Opening the cover” on page 122.
2. Pivot the drive-bay assembly upward to gain access to the heat sink.

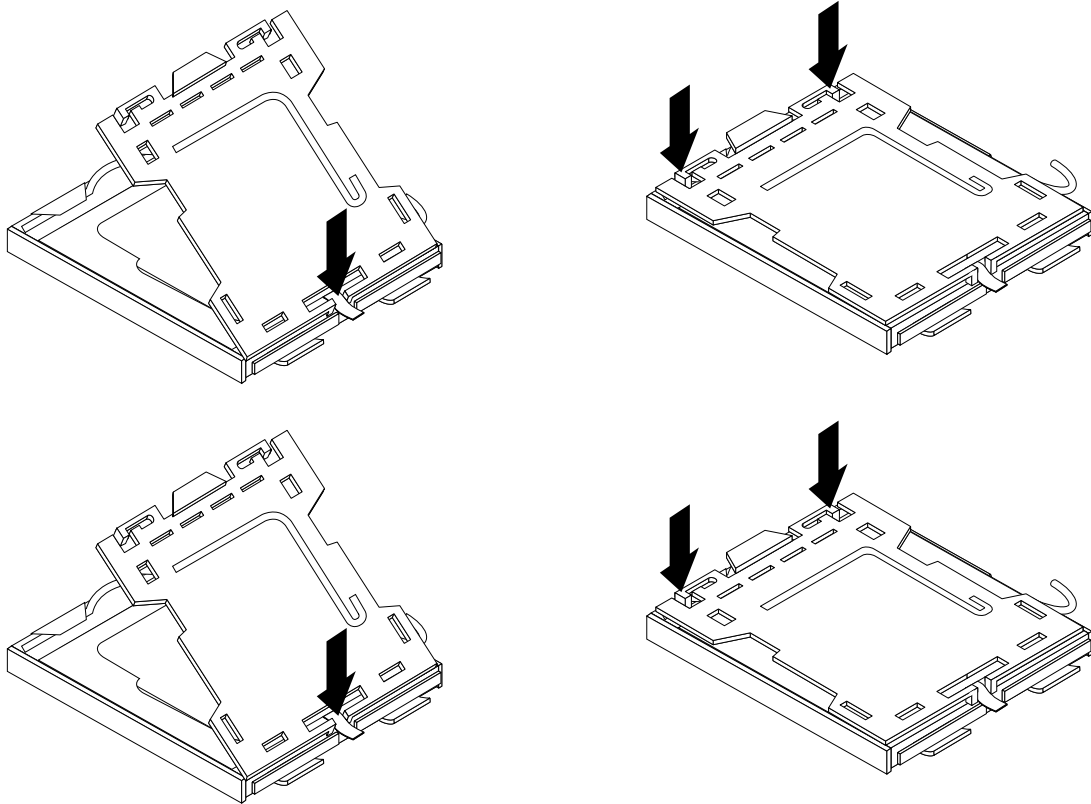


3. Remove the hard disk drive and disconnect it from the system board. See “Replacing the hard disk drive” on page 136.
4. Remove any PCI adapters installed. See “Replacing an adapter card” on page 124.
5. Disconnect all cables connected to the system board. See “System board connectors” on page 121.
6. Pull up on the blue strap at the front of the system board to release it from the chassis.
7. Slide the system board toward the front until it can be lifted out of the chassis.

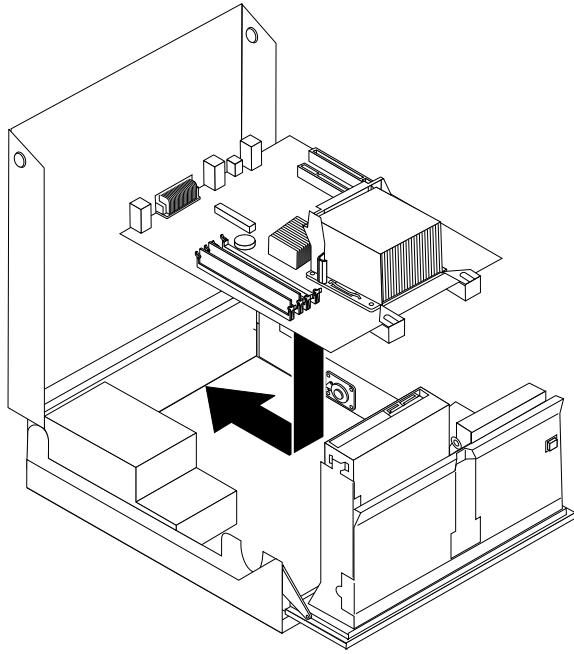


8. Remove the heat sink and microprocessor from the failing system board and install them on the new system board. See “Replacing the microprocessor” on page 132.
9. Remove the memory modules from the failing system board and install them into the same position on the new system board. See “Replacing a memory module” on page 124.

10. Install a new retention module or move the retention module from the failing system board to the new system board.
11. The failing system board must be returned with a microprocessor socket cover to protect the pins during shipping and handling. Install the microprocessor socket cover removed from the new system board on the failing system board. To install the microprocessor socket cover:
 - a. Make sure the microprocessor has been removed from the microprocessor socket, and then close the microprocessor retainer and lock it into position with the small handle.
 - b. Insert the tabs **1** of the socket cover into the hinged side of the socket, and then press the other side of the socket cover downward until the tabs **2** snap into position.



12. Position the new system board so that it is aligned with the mounting studs then slide it to the rear of the chassis until it is fully seated.



13. Reinstall any PCI adapters that were removed. See “Replacing an adapter card” on page 124.
14. Reconnect all cables that were disconnected from the system board. See “System board connectors” on page 121.
15. Go to “Completing the FRU replacement” on page 141.

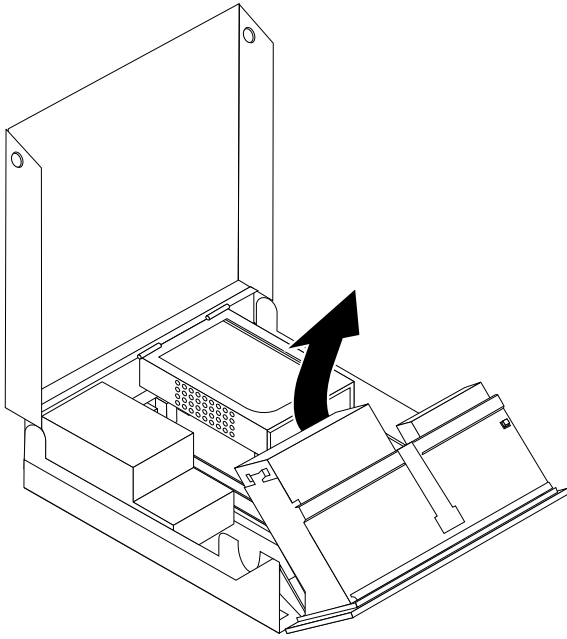
Replacing the microprocessor

Important

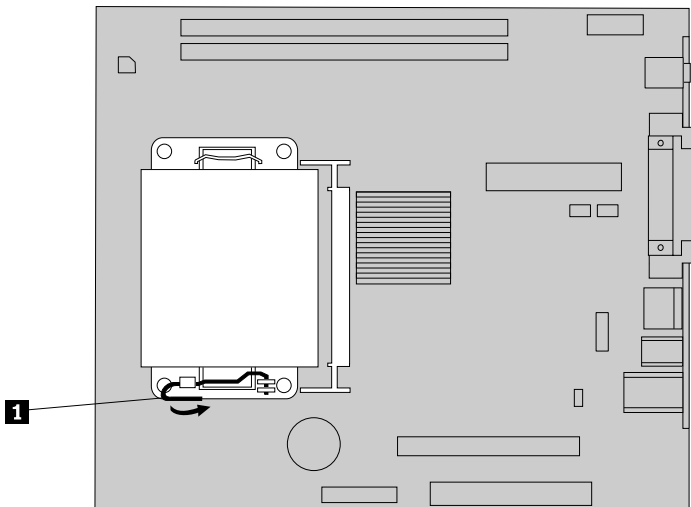
Leave your computer turned off for at least one hour before removing the microprocessor to allow the thermal interface between the microprocessor and the heat sink time to cool down.

This procedure describes how to remove and replace the microprocessor.

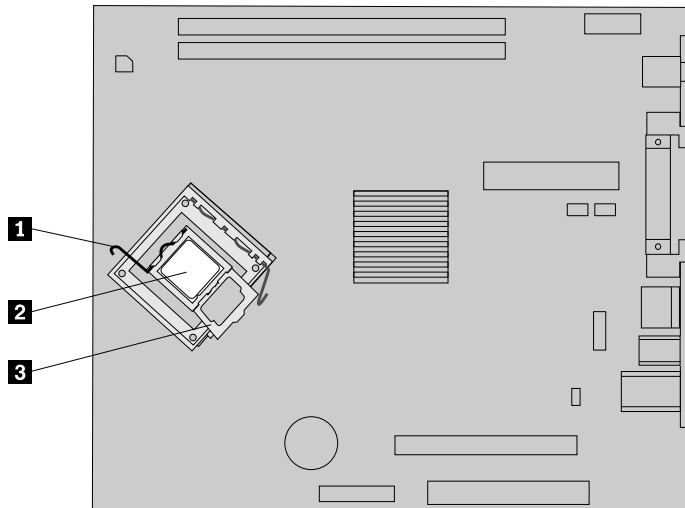
1. Open the computer cover. See “Opening the cover” on page 122.
2. Pivot the drive-bay assembly upward to gain access to the heat sink.



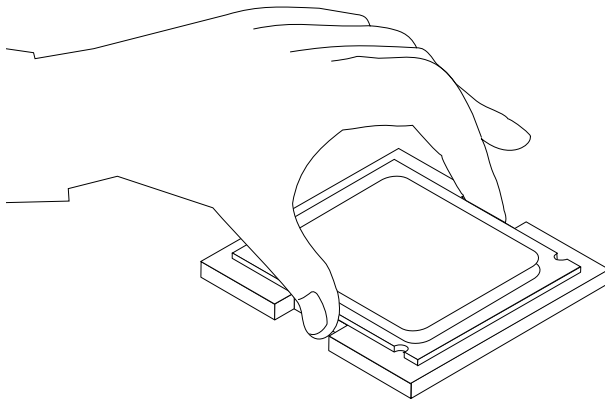
3. Remove the heat sink from the system board by pivoting lever **1** until it is in the vertical position.



4. To remove the microprocessor from the failing system board, release the lever **1** securing the microprocessor **2** then pivot the microprocessor retainer **3** until it is fully open.

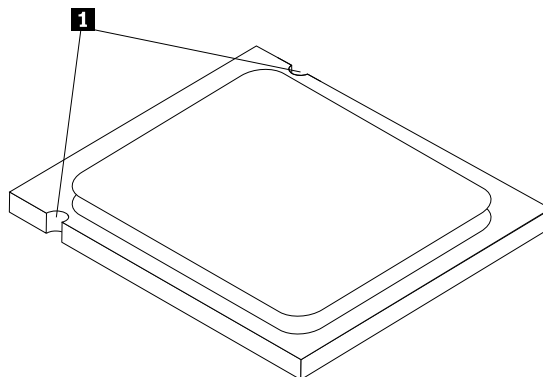


5. Remove the microprocessor from the system board socket by lifting it out of the socket.



Important: Do not touch the gold contacts on the bottom of the microprocessor. If you must touch the microprocessor, touch only the sides.

a. Take notice of the orientation of the notches **1** on the microprocessor. This is important when installing the microprocessor on the system board.



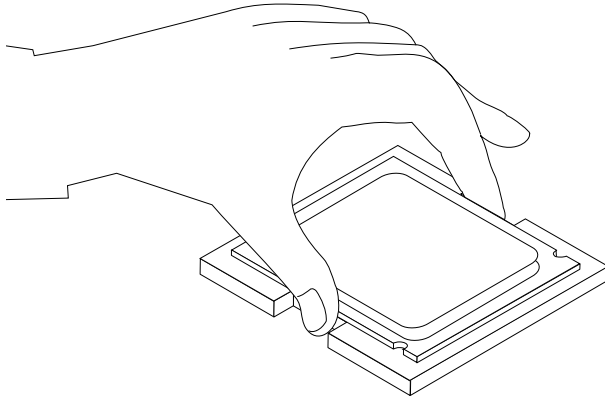
b. Do not drop anything on the socket while it is open. Keep all contacts as clean as possible.

6. Make sure that the microprocessor retainer is fully open.

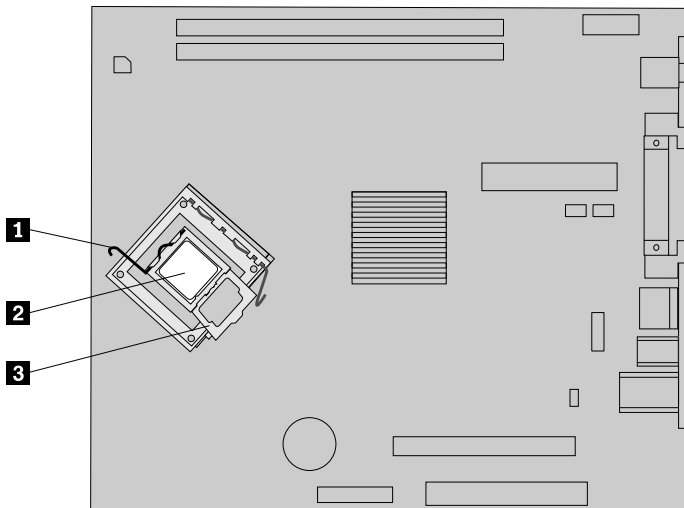
7. Position the microprocessor so that the notches on the microprocessor are aligned with the tabs in the microprocessor socket.

Important: To avoid damaging the microprocessor contacts, do not tilt the microprocessor when installing it into the socket.

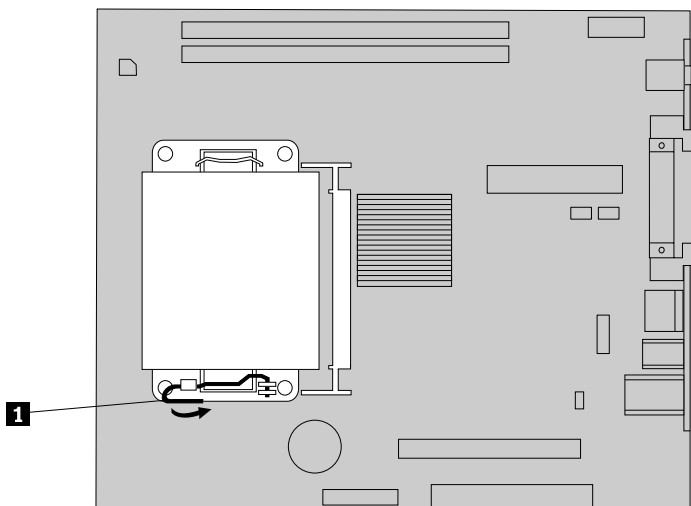
8. Lower the microprocessor straight down into the system board socket.



9. Lower the microprocessor retainer **3** and then lower the lever **1** to secure the retainer. Make sure the lever is securely locked into position.



10. Place the heat sink into position and lower the lever **1** to secure the heat sink.



11. Go to “Completing the FRU replacement” on page 141.

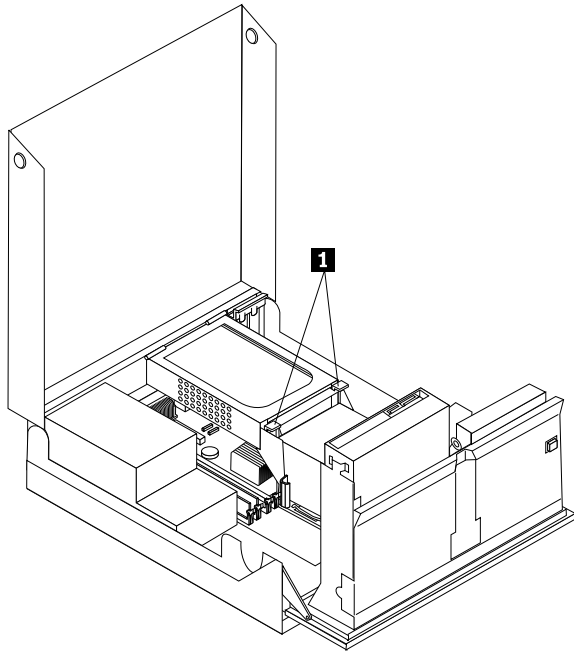
Replacing the hard disk drive

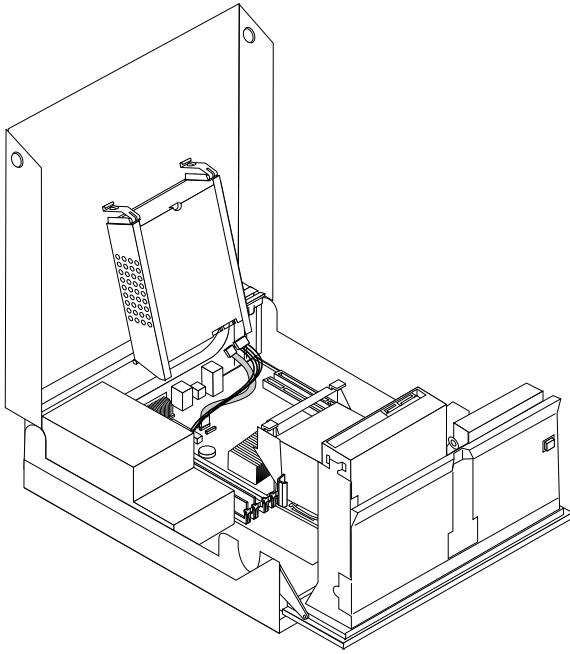
Important

When a new hard disk drive is installed, a set of *Product Recovery* discs might be required. The set of *Product Recovery* discs enable the contents of the hard disk to be restored to the same state as when the computer was originally shipped from the factory. For more information on recovering factory-installed software, refer to "Recovering Software" in the *User Guide*.

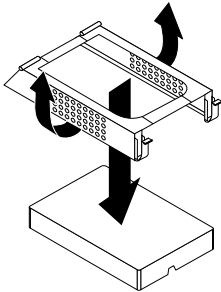
This procedure describes how to remove and replace the hard disk drive.

1. Open the computer cover. See “Opening the cover” on page 122.
2. Locate the hard disk drive.
3. Unlatch the hard disk drive front retainers **1** and rotate the hard disk drive upwards.





4. Disconnect the signal and power cables from the rear of the hard disk drive and remove the hard disk drive from the computer.
5. Remove the failing hard disk drive from the bracket by flexing the bracket as shown.



6. To install the new drive, flex the bracket and align the pins on the bracket with the recesses in the hard disk drive bracket.

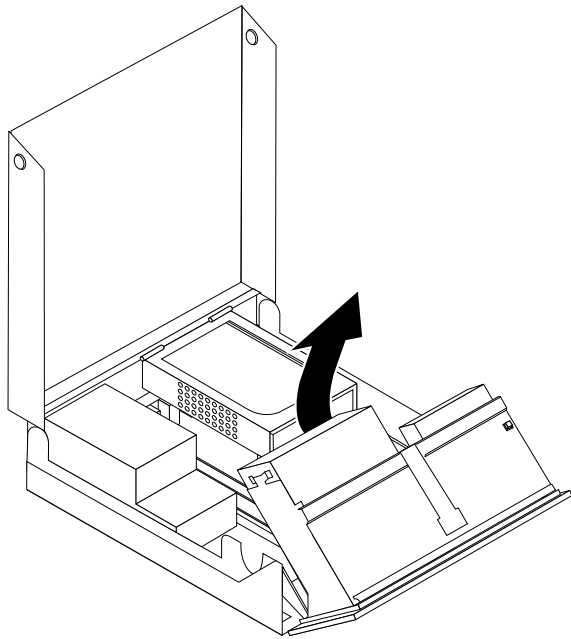
Important: Do not touch the circuit board on the bottom of the hard disk drive.

7. Connect the signal and power cables to the rear of the new hard disk drive.
8. Position the hard disk drive and bracket into the rear pivots and rotate downward until the hard disk drive bracket latches into place.
9. Go to “Completing the FRU replacement” on page 141.

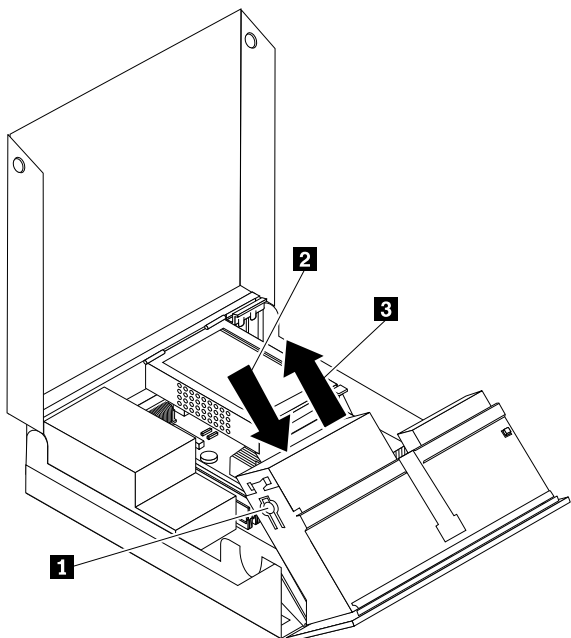
Replacing an optical drive

This procedure describes how to remove and replace the optical drive.

1. Open the computer cover. See “Opening the cover” on page 122.
2. Pivot the drive-bay-assembly upward to gain access to the optical drive.



3. Disconnect the signal and power cables from the rear of the optical drive.
4. Press the optical-drive lock **1** and slide the optical drive up **3** out the drive bay assembly.



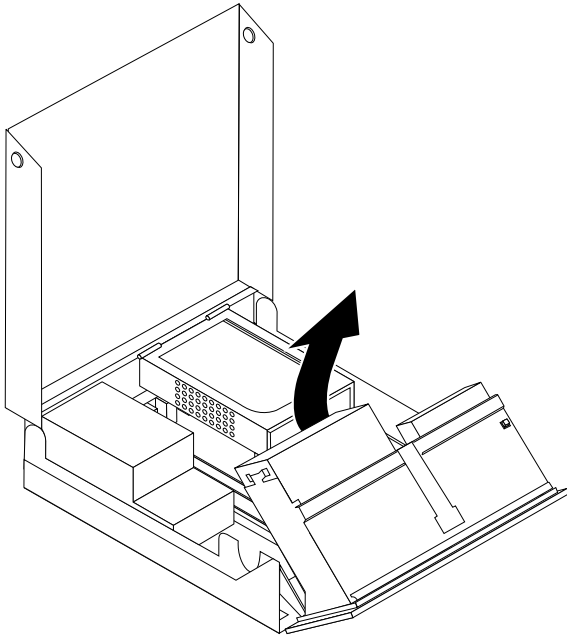
5. Remove the lock bracket from the drive being replaced and install it on the new drive.
6. Install the new optical drive into the bay and slide it to the locked position.
7. Connect the signal and power cables to the rear of the optical drive.
8. Go to “Completing the FRU replacement” on page 141.

Replacing the diskette drive

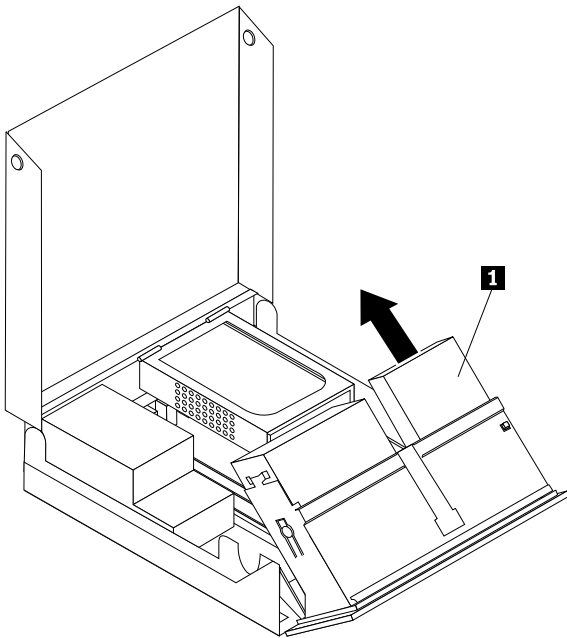
This procedure describes how to remove and replace the diskette drive.

1. Open the computer cover. See “Opening the cover” on page 122.

- Pivot the drive-bay-assembly upward to gain access to the diskette drive.



- Press the diskette-drive lock **1** at the side of the drive.
- Slide the diskette drive **1** up and out of the drive bay assembly.

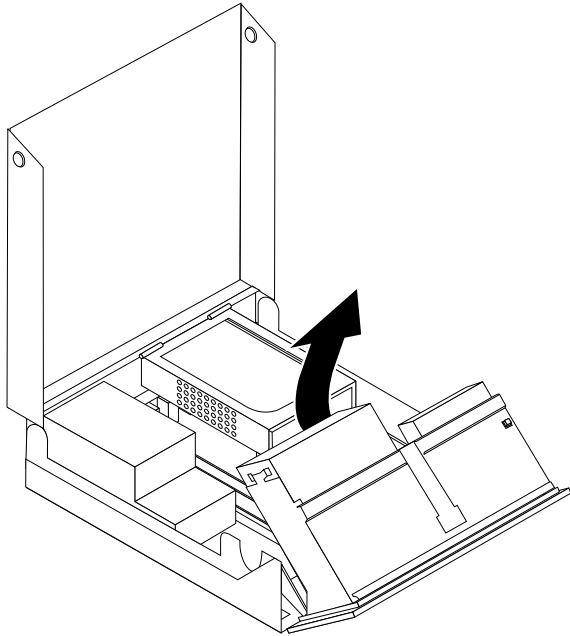


- Disconnect the flat cable from the rear of the failing diskette drive.
- Connect the flat cable to the new diskette drive.
- Remove the lock bracket from the drive being replaced and install it on the new drive.
- Install the new diskette drive into the bay and slide it to the locked position.
- Go to “Completing the FRU replacement” on page 141.

Replacing the fan assembly

This procedure describes how to remove and replace the fan.

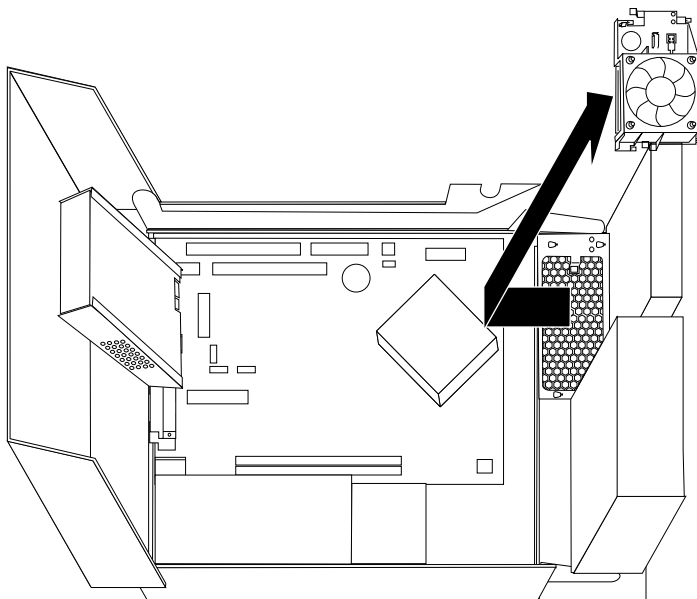
1. Open the computer cover. See “Opening the cover” on page 122.
2. Pivot the drive-bay assembly upward to gain access to the fan assembly.



3. Disconnect the fan cable, power switch or LED cable, and temperature sensor cable from the system board. See “System board connectors” on page 121.

Note: Make sure you note the location of the fan cables when you disconnect the cables from the system board.

4. Remove the plastic fan mount behind the bezel by releasing the retaining tabs with your fingers and sliding the fan mount out of the chassis.



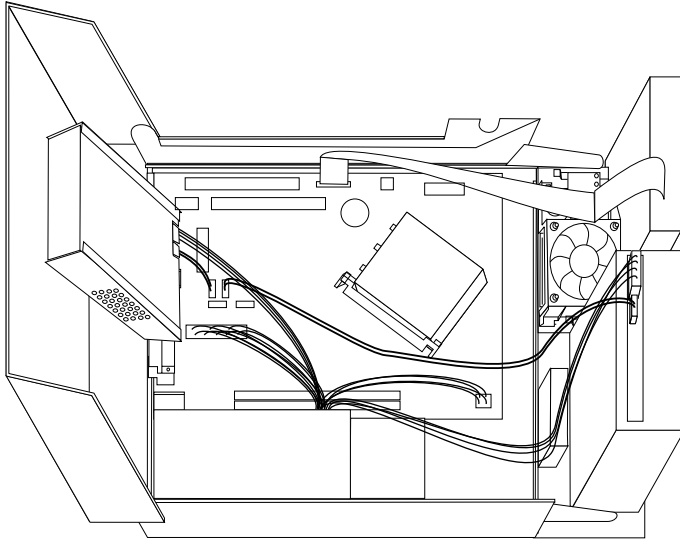
5. The fan assembly is mounted with four rubber mounts that protrude through the plastic mounting bracket and the fan housing. Remove the fan assembly by pulling the rubber mounts back through the holes in the fan housing.
6. Pull the rubber mounts loose from the mounting bracket. New rubber mounts might come with the new fan.
7. Install the rubber mounts back into the mounting bracket.
8. Install the new fan assembly by aligning the rubber mounts in the mounting bracket with the holes in the fan housing and pulling the rubber mounts through the holes with your fingers.
9. Reinstall the fan mounting bracket into the chassis.
10. Reconnect the fan cable, power switch or LED cable, and temperature sensor cable to the system board. See “System board connectors” on page 121.
11. Go to “Completing the FRU replacement” on page 141.

Completing the FRU replacement

After replacing the parts, you need to close the cover and reconnect cables, including telephone lines and power cords. Also, depending on the part that was replaced, you might need to confirm the updated information in the Setup Utility program. Refer to Chapter 6 “Diagnostics, Test and Recovery Information” on page 41.

1. Ensure that all components have been reassembled correctly and that no tools or loose screws are left inside your computer. See “Computer components” on page 120 for the location of various components.
2. Make sure that the cables are routed correctly before lowering the drive-bay assembly.

Important: Correctly route all power supply cables to avoid interference with the drive bay assembly. Keep cables clear of the hinges and sides of the computer chassis.



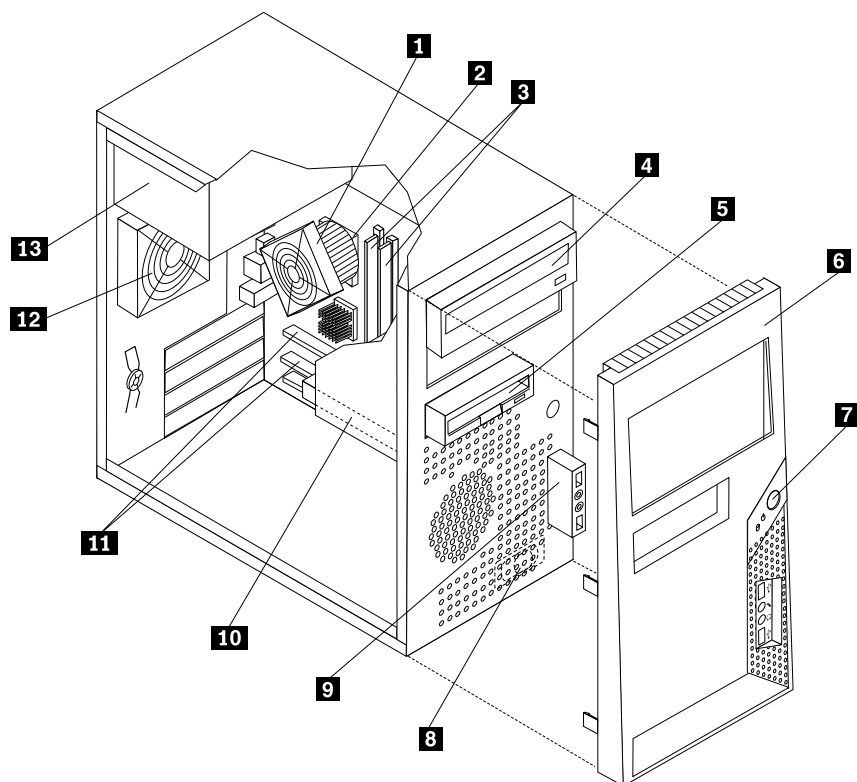
3. Lower the drive-bay assembly and position the drive locks to the locked position. Otherwise, you cannot close the computer cover.
4. Close the computer cover.
5. If a cover lock is installed, lock the cover.
6. Reconnect the external cables and power cords to the computer. See “Rear connectors” on page 119.
7. If you are replacing the system board or microprocessor, you must update (flash) the BIOS. See “Updating (flashing) BIOS from a CD-ROM or diskette” on page 775.
8. To update your configuration, see Chapter 6 “Diagnostics, Test and Recovery Information” on page 41.

Chapter 11. FRU lists

Attention: Read “Important information about replacing RoHS compliant FRUs” on page 1 before replacing any FRUs.

Note: In the following tables, a CRU (Customer Replaceable Unit) is identified as either "1", "2", or "N" in the CRU column. "N" means that the part is not a CRU, "1" means that the part is a Self-service CRU, and "2" means that the part is an Optional-service CRU.

Machine Type 6176



Item #	6176 FRUs	FRU#	CRU Tier
1	Intel 65W/95W Heatsink Kit (Tower) (all models)	41R6429	N
2	Microprocessor, Celeron 420 CONROE-L 800/1600MHZ-512K,LGA,EM64T (models)	43C3835	N
2	Microprocessor, Celeron 430 CONROE-L 800/1800MHZ-512K,LGA,EM64T (models)	43C1964	N
2	Microprocessor, Celeron 440 CONROE-L 800/2000MHZ-512K,LGA,EM64T (models)	43C1965	N
2	Microprocessor, Pentium Dual-core E2140 CONROE-L 800/1600MHZ-1M, LGA, EM64T (models)	43C1967	N
2	Microprocessor, Pentium Dual-core E2160 CONROE-L 800/1800MHZ-1M, LGA, EM64T (models)	43C1968	N
2	Microprocessor, Core 2 Duo E4400 L2 CONROE 800/2000MHZ-2M, LGA, EM64T (models)	43C2056	N

Item #	6176 FRUs	FRU#	CRU Tier
2	Microprocessor, Core 2 Duo E6400 B2 CONROE 1066/2130MHZ-2M, LGA, EM64T L2 Value (models)	41X2496	N
2	Microprocessor, Pentium Dual-core E2200 CONROE-L 800/2200MHZ-1M, LGA, EM64T - NPI (models CTO)	45C5349	N
2	Microprocessor, Pentium Dual-core E2180 CONROE-L 800/2000MHZ-1M, LGA, EM64T - NPI (models CTO)	45C1773	N
2	Microprocessor, Pentium Dual-core E2220 CONROE-L 800/2400MHZ-1M, LGA, EM64T - NPI (models CTO)	45C1774	N
2	Microprocessor, Core 2 Duo E4600 M0 CONROE 800/2400MHZ-2M, LGA, EM64T - NPI (models CTO)	45C5282	N
2	Microprocessor, Core 2 Duo E4500 M0 CONROE 800/2200MHZ-2M, LGA, EM64T (models CTO)	43C6305	N
2	Microprocessor, Core 2 Duo E6850 G0 CONROE 1333/3000MHZ-4M, LGA, EM64T (models CTO)	43C1694	N
2	Microprocessor, Core 2 Duo E6750 G0 CONROE 1333/2660MHZ-4M, LGA, EM64T (models CTO)	43C1693	N
2	Microprocessor, Core 2 Duo E6550 G0 CONROE 1333/2330MHZ-4M, LGA, EM64T (models CTO)	43C3833	N
2	Microprocessor, Core 2 Quad G-0 Q6700 KENTSFIELD 1066/2660MHZ-8M (models CTO)	43C6309	N
2	Microprocessor, Core 2 Quad G-0 Q6600 KENTSFIELD 1066/2400MHZ-8M (models CTO)	43C1695	N
2	Microprocessor, Core 2 Duo E8500 WOLFDALÉ 1333/3160MHZ-6M (models CTO)	45C7735	N
2	Microprocessor, Core 2 Duo E8400 WOLFDALÉ 1333/3000MHZ-6M (models CTO)	45C7736	N
2	Microprocessor, Core 2 Duo E8200 WOLFDALÉ 1333/2660MHZ-6M (models CTO)	45C7738	N
2	Microprocessor, Core 2 Duo E8190 WOLFDALÉ 1333/2660MHZ-6M - NON VT/Vpro (models CTO)	45R2568	N
2	Microprocessor, Core 2 Quad Q9550 C-1 YORKFIELD 2.83GHz 1333MHZ FSB 12M L2 (models CTO)	45C7739	N
2	Microprocessor, Core 2 Quad Q9450 C-1 YORKFIELD 2.66GHz 1333MHZ FSB 12M L2 (models CTO)	45C7740	N
2	Microprocessor, Core 2 Quad Q9300 M-1 YORKFIELD 2.5GHz 1333MHZ FSB 6M L2 (models CTO)	45C7741	N
2	Microprocessor, Core 2 Duo E8300 C-0 WOLFDALÉ 2.83GHz 1333MHZ FSB 6M L2 (models CTO)	45C7737	N
2	Microprocessor, Core 2 Duo E7300 M-0 2.66GHz 1066MHz FSB 3M L2 (models CTO)	46R1622	N
2	Microprocessor, Core 2 Duo E7200 M-0 2.53GHz 1066MHz FSB 3M L2 (models CTO)	45R8337	N
2	Microprocessor, Core 2 Duo E4700 G-0 2.6GHz 800MHz FSB 2M L2 (models CTO)	45R5786	N
2	Microprocessor, Celeron Dual Core E1400 M-0 2.0GHz 800MHz FSB 512K L2 (models CTO)	45R8339	N
2	Microprocessor, Celeron Dual Core E1200 M-0 1.6GHz 800MHz FSB 512K L2, LGA, EM64T - NPI (models CTO)	45R8341	N
2	Microprocessor, Core 2 Duo E8600 E-0 WOLFDALÉ 3.33GHz 1333MHZ FSB 6M L2 (models CTO)	46R8640	N

Item #	6176 FRUs	FRU#	CRU Tier
2	Microprocessor, Pentium Dual Core E5200 M-0 WOLFDAL E 2.5GHz 800MHZ FSB 2M L2 (models CTO)	46R9512	N
3	Memory module, 512 MB PC-5300 (667MHz) DDR2 SDRAM (models)	41X4255	2
3	Memory module, 1 GB PC-5300 (667MHz) DDR2 SDRAM (models B1U B1F B1S B1P B1D B1Y B1G B1M B1A B1Q B1T B1C B1B B1H B1V B1K B1R B1E B1J)	41X4256	2
3	Memory module, 2 GB PC-5300 (667MHz) DDR2 SDRAM (models)	41X4257	2
3	Memory module, 512 MB PC2-6400 (800MHz) DDR2 SDRAM (models)	41X1079	2
3	Memory module, 1GB PC-6400 (800MHz) DDR2 SDRAM (models)	41X1080	2
3	Memory module, 2GB PC-6400 (800MHz) DDR2 SDRAM (models)	41X1081	2
4	DVD-ROM Drive - 16x/48x - SATA Vista & non-Vista (models)	41N3325	2
4	DVD-ROM Drive - DVD-ROM/CD-RW Combo Drive - 48x/32x/48x/16x - SATA Vista & non-Vista (models)	42Y9353	2
4	DVD-ROM Drive - DVD-RW/CD-RW Rambo 8 - SATA Vista & non-Vista (models B1U B1F B1S B1P B1D B1Y B1G B1M B1A B1Q B1T B1C B1B B1H B1V B1K B1R B1E)	43C1042	2
5	Diskette drive, 3.5" 1.44MB 2 Mode FDD with Bezel and cable (models)	40Y9107	2
5	Diskette drive, 3.5" 1.44MB 2 Mode FDD with Bezel and cable (models)	40Y9105	2
6	Bezel assembly without IBM mark (all models)	41R6243	2
7	Power switch/LED assembly (all models)	41N5284	2
8	Speaker assembly, soldered terminals (all models)	39P5023	2
9	Front audio/USB assembly (all models)	41N8054	2
10	Hard disk drive, SATA 80GB 7200RPM/3Gb/8MB (models)	40Y9034	2
10	Hard disk drive, SATA 160GB 7200RPM/3Gb/8MB (models B1U B1F B1S B1P B1D B1Y B1G B1M B1A B1Q B1T B1C B1B B1H B1V B1K B1R B1E)	40Y9035	2
10	Hard disk drive, SATA 320GB 7200rpm SATA/8MB (models)	87H4891	2
11	System board , Intel G31 mATX GA Level (models B1U B1F B1S B1P B1D B1Y B1G B1M B1A B1Q B1T B1C B1B B1H B1V B1K B1R B1E B1J)	53Y3282	N
12	Fan, 4 Pin System Fan (all models)	41R6269	2
13	Power supply, ATX 280W Power supply; Robust; for all countries except for JP (models B1U B1F B1S B1P B1D B1Y B1G B1M B1A B1Q B1T B1C B1B B1H B1V B1K B1R B1E)	41A9684	2
13	Power supply, ATX 280W 80% power supply;for all countries (models B1U B1F B1S B1P B1D B1Y B1G B1M B1A B1Q B1T B1C B1B B1H B1V B1K B1R B1E B1J)	41A9665	2
13	Power supply, ATX 310W Power supply Robust; for all countries (models B1U B1F B1S B1P B1D B1Y B1G B1M B1A B1Q B1T B1C B1B B1H B1V B1K B1R B1E B1J)	41A9726	2

The FRUs listed in the following tables are not illustrated.

6176 FRUs	FRU#	CRU Tier
Shield, 5.25 EMC (all models)	41N8080	2
Cable, SATA 457mm (RoHs) (all models)	43N9013	2
Cable, SATA 250mm (RoHs) (all models)	43N9012	2
Shield, diskette drive EMC (all models)	41N8078	2

6176 FRUs	FRU#	CRU Tier
Cable, Diskette drive (RoHs) (all models)	41A7182	2
Cover, left side (all models)	41N8050	2
Retainer, Card Reader (all models)	41R2913	2
Fan, front (all models)	41R4791	2
Optional HDD Bracket Asm, without 4Pin cable (all models)	41R6106	2
Intrusion Switch asm (all models)	41R6116	2
Hard disk drive tray (all models)	41R6291	2
Planer shield, Atx 946, with usb number (all models)	41R6378	N
Temperature Sense cable (460 mm) (all models)	41R2509	2
Asm Chassis Without IBM Mark (all models)	41R6408	2
Card reader retainer (all models)	43N9351	2
Blank 5.25" Bezel (all models)	41N8077	3
BATTERY 3V-LITHIUM (models B1U B1F B1S B1P B1D B1Y B1G B1M B1A B1Q B1T B1C B1B B1H B1V B1K B1R B1E B1J)	45C1566	N
Cable Clip, FW-6D (all models)	43N9462	N
Battery 3V- Lithium (models B1U B1F B1S B1P B1D B1Y B1G B1M B1A B1Q B1T B1C B1B B1H B1V B1K B1R B1E B1J)	45C1566	1
Fru,Tamdhu chassis primary HDD cage (all models)	45K6272	1
Fru,Tamdhu ruber foot(For acoustic improvement) (all models)	45K6278	2

Keyboard (Lenovo USB Preferred -- without hub)	FRU#	CRU Tier
US English (models)	41A5039	1
Arabic (models)	41A5040	1
Arabic/French (models)	41A5041	1
Belgian/French (models)	41A5042	1
Belgian/English (models)	41A5043	1
Brazilian Portuguese (models)	41A5044	1
Bulgarian (models)	41A5045	1
Chinese/US (models)	41A5046	1
Czech (models)	41A5047	1
Danish (models)	41A5048	1
Dutch (models)	41A5049	1
French (models)	41A5050	1
French Canadian (models)	41A5051	1
French Canadian (models)	41A5052	1
German (models)	41A5053	1
Greek (models)	41A5054	1
Greek/US (models)	41A5080	1

Keyboard (Lenovo USB Preferred -- without hub)	FRU#	CRU Tier
Hebrew (models)	41A5055	1
Hungarian (models)	41A5056	1
Iceland (models)	41A5057	1
Italian (models)	41A5058	1
Japanese (models)	41A5059	1
Korean (models)	41A5060	1
LA Spanish (models)	41A5061	1
Norwegian (models)	41A5062	1
Polish (models)	41A5063	1
Portuguese (models)	41A5064	1
Romanian (models)	41A5065	1
Russian/Cyrillic (models)	41A5066	1
Serbian/Cyrillic (models)	41A5067	1
Slovak (models)	41A5068	1
Spanish (models)	41A5069	1
Swedish/Finnish (models)	41A5070	1
Swiss (models)	41A5071	1
Thailand (models)	41A5072	1
Turkish (models)	41A5073	1
Turkish (models)	41A5074	1
UK English (models)	41A5075	1
US Euro (models)	41A5076	1
Slovenian (models)	41A5077	1

Keyboard (Lenovo USB Preferred -- without hub)	FRU#	CRU Tier
US English (models B1U B1M B1A B1Q B1H B1R B1E)	41A5289	1
Arabic (models)	41A5290	1
Arabic/French (models B1G)	41A5291	1
Belgian/French (models B1G)	41A5292	1
Belgian/UK (models B1G)	41A5293	1
Brazilian Portuguese (models B1P)	41A5294	1
Bulgarian (models B1G)	41A5295	1
Chinese/US (models B1B B1V)	41A5296	1
Czech (models B1G)	41A5297	1
Danish (models B1G)	41A5298	1
Dutch (models B1G)	41A5299	1
French (models B1G)	41A5300	1
French Canadian (models B1F)	41A5301	1

Keyboard (Lenovo USB Preferred -- without hub)	FRU#	CRU Tier
French Canadian (models B1F)	41A5302	1
German (models B1G)	41A5303	1
Greek (models B1G)	41A5304	1
Greek/US (models B1G)	41A5305	1
Hebrew (models B1G)	41A5306	1
Hungarian (models B1G)	41A5307	1
Iceland (models B1G)	41A5308	1
Italian (models B1G)	41A5309	1
Japanese (models B1J)	41A5310	1
Korean (models B1K)	41A5311	1
LA Spanish (models B1S B1D B1Y)	41A5312	1
Norwegian (models B1G)	41A5313	1
Polish (models B1G)	41A5314	1
Portuguese (models B1G)	41A5315	1
Romanian (models B1G)	41A5317	1
Russian/Cyrillic (models B1G)	41A5318	1
Serbian/Cyrillic (models B1G)	41A5319	1
Slovak (models B1G)	41A5320	1
Spanish (models B1G)	41A5321	1
Swedish/Finnish (models B1G)	41A5322	1
Swiss (models B1G)	41A5323	1
Thailand (models B1T)	41A5324	1
Turkish (models B1G)	41A5325	1
Turkish (models B1G)	41A5326	1
UK English (models B1G)	41A5327	1
US Euro (models)	41A5328	1
Slovenian (models B1G)	41A5329	1

Keyboard (Lenovo Enhanced Perf, USB Preferred -- with hub)	FRU#	CRU Tier
US English (models)	41A4961	1
Arabic (models)	41A4962	1
Arabic/French (models)	41A4963	1
Belgian French (models)	41A4964	1
Belgium English (models)	41A4965	1
Brazilian Portuguese (models)	41A4966	1
Bulgarian (models)	41A4967	1
Chinese/US (models)	41A4968	1
Czech (ABB) (models)	41A4969	1

Keyboard (Lenovo Enhanced Perf, USB Preferred -- with hub)	FRU#	CRU Tier
Danish (models)	41A4970	1
Dutch (models)	41A4971	1
French (models)	41A4972	1
French Canadian (models)	41A4973	1
French Canadian (models)	41A4974	1
German (models)	41A4975	1
Greek (models)	41A4976	1
Greek/US (models)	41A5078	1
Hebrew (models)	41A4977	1
Hungarian (models)	41A4978	1
Iceland (models)	41A4979	1
Italian (models)	41A4980	1
Japanese (models)	41A4981	1
Korean (models)	41A4982	1
LA Spanish (models)	41A4983	1
Norwegian (models)	41A4984	1
Polish (models)	41A4985	1
Portuguese (models)	41A4986	1
Romanian (models)	41A4987	1
Russian/Cyrilic (models)	41A4988	1
Serbian/Cyrilic (models)	41A4989	1
Slovak (models)	41A4990	1
Spanish (models)	41A4991	1
Swedish/Finnish (models)	41A4992	1
Swiss French/German (models)	41A4993	1
Thailand (models)	41A4994	1
Turkish (models)	41A4995	1
Turkish (models)	41A4996	1
UK English (models)	41A4997	1
US Euro (models)	41A4998	1
Slovenian (models)	41A4999	1

Keyboard (Lenovo Fingerprint Reader USB)	FRU#	CRU Tier
US English (models)	41A5248	1
Arabic (models)	41A5249	1
Arabic/French (models)	41A5250	1
Belgian French (models)	41A5251	1
Belgium English (models)	41A5252	1

Keyboard (Lenovo Fingerprint Reader USB)	FRU#	CRU Tier
Brazilian Portuguese (models)	41A5253	1
Bulgarian (models)	41A5254	1
Chinese/US (models)	41A5255	1
Czech (ABB) (models)	41A5256	1
Danish (models)	41A5257	1
Dutch (models)	41A5258	1
French (models)	41A5259	1
French Canadian (models)	41A5260	1
French Canadian (models)	41A5261	1
German (models)	41A5262	1
Greek (models)	41A5263	1
Greek/US (models)	41A5264	1
Hebrew (models)	41A5265	1
Hungarian (models)	41A5266	1
Iceland (models)	41A5267	1
Italian (models)	41A5268	1
Japanese (models)	41A5269	1
Korean (models)	41A5270	1
LA Spanish (models)	41A5271	1
Norwegian (models)	41A5272	1
Polish (models)	41A5273	1
Portuguese (models)	41A5274	1
Romanian (models)	41A5276	1
Russian/Cyrilic (models)	41A5277	1
Serbian/Cyrilic (models)	41A5278	1
Slovak (models)	41A5279	1
Spanish (models)	41A5280	1
Swedish/Finnish (models)	41A5281	1
Swiss French/German (models)	41A5282	1
Thailand (models)	41A5283	1
Turkish (models)	41A5284	1
Turkish (models)	41A5285	1
UK English (models)	41A5286	1
US Euro (models)	41A5287	1
Slovenian (models)	41A5288	1

6176 mice	FRU#	CRU Tier
Optical Wheel Mouse (400DPI, USB) (models B1U B1F B1S B1P B1D B1Y B1G B1M B1A B1Q B1T B1C B1B B1H B1V B1K B1R B1E)	41U3013	1
Optical Wheel Mouse (400DPI, USB) (models B1U B1F B1S B1P B1D B1Y B1G B1M B1A B1Q B1T B1C B1B B1H B1V B1K B1R B1E)	41U3030	1
PS/2 Three Button ball mouse (41R0017) (models)	41R0018	1

6176 Adapters and miscellaneous FRUs	FRU#	CRU
Internal USB Memory Card Reader floppy bay (models)	41R3378	2
Internal USB 25 in 1 Memory CardReader floppy bay (models)	45R8139	2
USB Memory Key (models)	43R2296	2
Internal USB Memory Card Reader floppy bay (models)	41R3376	2
Soft Modem V.90/V.44 ATX (models CTO)	46R4220	2
ATI HD 2600XT 512MB 128BIT ATX (models)	43C0261	2
IEEE 1394 Firewire Adapter SFF (models)	41D2781	2
Internal USB Memory Card Reader Slim (models)	43C9207	1
USB Memory Key - 1G RoW (models)	41U4978	1
ADD2 DVI Adapter,FH (HDCP) (models)	43C0258	2
ATI HD 2400PRO 128MB 64BIT DMS59 LP (models)	43C0259	2
ATI HD 2400PRO 128MB 64BIT DMS59 ATX (models)	43C0259	2
ATI HD 2400XT 256MB 64BIT DMS59 ATX (models)	43C0260	2
DVI-I connection Adapter Full Height (models)	39J9334	2
DVI-I connection Adapter Low Profile (models)	39J9334	2
Speaker Power brick - US, Canada, LA low voltage, ASEAN (models B1U B1S B1A)	89P8571	1
Speaker Power brick - LA high voltage (non-APU) (models B1D)	89P8575	1
Speaker Power brick - China, Thailand (models B1T B1C)	89P8581	1
Speaker Power brick - Japan (models B1J)	89P8577	1
Speaker Power brick - Brazil (models B1P)	89P8583	1
Speaker Power brick - Argentina (models)	41A4901	1
Speaker Power brick - ANZ (modes B1M)	89P8579	1
Speaker Brick - Korea (models B1K)	41A4903	1
Speaker Brick - Hong Kong, EMEA (models B1H B1B B1G)	89P8573	1
Speaker Brick - Taiwan (models B1V)	41A4905	1
Speaker Power brick - India, South Africa (models B1Q)	89P8585	1
Dongle DMS Dule DMS-59 to dual VGA Cable (models)	42Y8181	2
Dongle DMS Dule DMS-59 to dual DVI Cable (models)	41X6398	2

6176 Line Cords	FRU#	CRU
Line cord - US (models B1U B1F B1S B1D B1L B1A B1T)	41R3184	1
Line cord - US (models B1U B1F B1S B1D B1L B1A B1T)	41R3185	1

6176 Line Cords	FRU#	CRU
Line cord - China (models B1C)	41R3256	1
Line cord - China (models B1C)	41R3257	1
Line cord - Brazil (models B1P)	41R3270	1
Line cord - Brazil (models B1P)	41R3271	1
Line cord - LA High Volt APU (models B1Y B1L)	41R3176	1
Line Cord - LA High Volt APU (models B1Y B1L)	41R3177	1
Line Cord - Korea (models B1K)	41R3260	1
Line Cord - Korea (models B1K)	41R3261	1
Line Cord - UK, Ireland, Singapore, Malaysia, Brunei (models B1G B1A)	41R3224	1
Line Cord - UK, Ireland, Singapore, Malaysia, Brunei (models B1G B1A)	41R3225	1
Line Cord - Taiwan (models B1V)	41R3278	1
Line Cord - Taiwan (models B1V)	41R3279	1
Line Cord - Italy (models B1S B1Y B1L B1G)	41R3232	1
Line Cord - Italy (models B1S B1Y B1L B1G)	41R3233	1
Line Cord - Indonesia, Laos, Cambodia, and Vietnam (models B1G B1A)	41R3208	1
Line Cord - Indonesia, Laos, Cambodia, and Vietnam (models B1G B1A)	41R3209	1
Line Cord - Denmark (models B1G)	41R3212	1
Line Cord - Denmark (models B1G)	41R3213	1
Line Cord - Switzerland (models B1G)	41R3228	1
Line Cord - Switzerland (models B1G)	41R3229	1
Line Cord - Israel (models B1G)	41R3236	1
Line Cord - Israel (models B1G)	41R3237	1
Line Cord - South Africa (models B1G B1A B1M)	41R3220	1
Line Cord - South Africa (models B1G B1A B1M)	41R3221	1
Line Cord - India (models B1Q)	41R3341	1
Line Cord - India (models B1Q)	41R3175	1
Line Cord - Japan (models B1J)	41R3248	1
Line Cord - Japan (models B1J)	41R3249	1
Line Cord - ANZ (models B1M)	41R3196	1
Line Cord - ANZ (models B1M)	41R3197	1
Line Cord - Hong Kong (models B1B B1H)	41R3224	1
Line Cord - Hong Kong (models B1B B1H)	41R3225	1

6176 Windows XP Home Recovery CDs	FRU#	CRU
US/UK/AP/TH (models)	TBD	1
FR/CF (models)	TBD	1
GR (models)	TBD	1
IT (models)	TBD	1
BR (models)	TBD	1

6176 Windows XP Home Recovery CDs	FRU#	CRU
SP/LA (models)	TBD	1
DK (models)	TBD	1
NL (models)	TBD	1
AE (models)	TBD	1
SV (models)	TBD	1
HE (models)	TBD	1
FI (models)	TBD	1
NO (models)	TBD	1
PL (models)	TBD	1
PO (models)	TBD	1
RU (models)	TBD	1
RE (models)	TBD	1
HU (models)	TBD	1
CZ (models)	TBD	1
TR (models)	TBD	1
GK (models)	TBD	1
Japanese (models)	TBD	1
Simplified Chinese (models)	TBD	1
Taiwan-TC (models)	TBD	1
Hong Kong-TC (models)	TBD	1
Korean (models)	TBD	1

6176 Windows XP Pro Recovery CDs	FRU#	CRU
US/UK/AP/TH (models)	45R0756	1
FR/CF (models)	45R0759	1
GR (models)	45R0760	1
IT (models)	45R0762	1
BR (models)	45R0763	1
SP/LA (models)	45R0761	1
DK (models)	45R0764	1
NL (models)	45R0767	1
AE (models)	45R2342	1
SV (Swedish) (models)	45R0765	1
HE (models)	45R2334	1
FI (models)	45R0766	1
NO (models)	45R0770	1
PL (models)	45R0777	1
PO (models)	45R0774	1
RU (models)	45R0773	1

6176 Windows XP Pro Recovery CDs	FRU#	CRU
RE (models)	45R2318	1
HU (models)	45R0780	1
CZ (models)	45R0776	1
TR (models)	45R0775	1
GK (models)	45R0772	1
SL (models)	45R2326	1
Japanese (models)	45R0757	1
Simplified Chinese (models)	45R0758	1
Taiwan-TC (models)	45R0768	1
Hong Kong-TC (models)	45R0769	1
Korean (models)	45R0771	1
Multilingual 1 XP-Pro -- EN, NL, FR, GR, IT (models)	45R8246	1
Multilingual 2 XP-Pro -- EN, DK, FI, NO, SV (models)	45R8247	1

6176 Vista Home Basic 32 SP1 Recovery DVDs	FRU#	CRU
English (models)	46R7273	1
Japanese (models)	46R7274	1
Simplified Chinese (models)	46R7275	1
French (models)	46R7276	1
German (models)	46R7277	1
Spanish (models)	46R7278	1
Italian (models)	46R7279	1
Brazilian Portuguese (models)	46R7280	1
Danish (models)	46R7281	1
Swedish (models)	45R9758	1
Finland (models)	45R9759	1
Dutch (models)	45R9760	1
Traditional Chinese (models)	46R7282	1
Hong Kong (models)	46R7283	1
Norwegian (models)	46R7284	1
Korean (models)	45R9764	1
Slovenian (models)	45R9765	1
Greek (models)	45R9766	1
Russian (models)	46R7285	1
Portuguese (models)	45R9768	1
Turkish (models)	45R9769	1
Czech (models)	45R9770	1
Polish (models)	45R9771	1
Russian English (models)	46R7286	1

6176 Vista Home Basic 32 SP1 Recovery DVDs	FRU#	CRU
Arabic Localized (models)	45R9773	1
Hebrew (models)	45R9774	1
Hungarian (models)	45R9775	1
Slovakian (models)	45R9776	1

6176 Vista Business 32 SP1 Recovery DVDs	FRU#	CRU
English (models B1U B1M B1A B1Q B1H B1R B1E)	46R7287	1
Japanese (models B1J)	46R7288	1
Simplified Chinese (models B1C)	46R7289	1
French (models B1G)	46R7290	1
German (models B1G)	46R7291	1
Spanish (models B1G)	46R7292	1
Italian (models B1G)	46R7293	1
Brazilian Portuguese (models B1P)	46R7294	1
Danish (models B1G)	46R7295	1
Swedish (models B1G)	45R9786	1
Finland (models B1G)	45R9787	1
Dutch (models B1G)	45R9788	1
Traditional Chinese (models B1V)	46R7296	1
Hong Kong (models B1B)	46R7297	1
Norwegian (models B1G)	46R7298	1
Korean (models B1K)	45R9792	1
Slovenian (models B1G)	45R9793	1
Greek (models B1G)	45R9794	1
Russian (models B1G)	46R7299	1
Portuguese (models B1G)	45R9796	1
Turkish (models B1G)	45R9797	1
Czech (models B1G)	45R9798	1
Polish (models B1G)	45R9799	1
Russian English (models B1G)	46R7300	1
Arabic Localized (models)	45R9801	1
Hebrew (models B1G)	45R9802	1
Romanian (models B1G)	45R9803	1
Hungarian (models B1G)	45R9804	1
Slovakian (models B1G)	45R9805	1
Serbian-Latin (models)	45R9806	1

6176 Vista VHP SP1 Recovery DVDs	FRU#	CRU
English (models)	46R7315	1
Japanese (models)	46R7316	1
Simplified Chinese (models)	46R7317	1
French (models)	46R7318	1
German (models)	46R7319	1
Spanish (models)	46R7320	1
Italian (models)	46R7321	1
Brazilian Portuguese (models)	46R7322	1
Danish (models)	46R7323	1
Swedish (models)	45R9844	1
Finland (models)	45R9845	1
Dutch (models)	45R9846	1
Traditional Chinese (models)	46R7324	1
Hong Kong (models)	46R7325	1
Norwegian (models)	46R7326	1
Korean (models)	45R9850	1
Slovenian (models)	45R9851	1
Greek (models)	45R9852	1
Russian (models)	46R7327	1
Portuguese (models)	45R9854	1
Turkish (models)	45R9855	1
Czech (models)	45R9856	1
Polish (models)	45R9857	1
Russian English (models)	46R7328	1
Arabic Localized (models)	45R9859	1
Hebrew (models)	45R9860	1
Romanian (models)	45R9861	1
Hungarian (models)	45R9862	1
Slovakian (models)	45R9863	1
Serbian-Latin (models)	45R9864	1

6176 Vista Business 64 SP1 Recovery DVDs	FRU#	CRU
English (models)	46R7301	1
Russian English (models)	46R7302	1
French (models)	46R7303	1
German (models)	46R7304	1
Spanish (models)	46R7305	1
Brazilian Portuguese (models)	46R7306	1
Italian (models)	46R7307	1

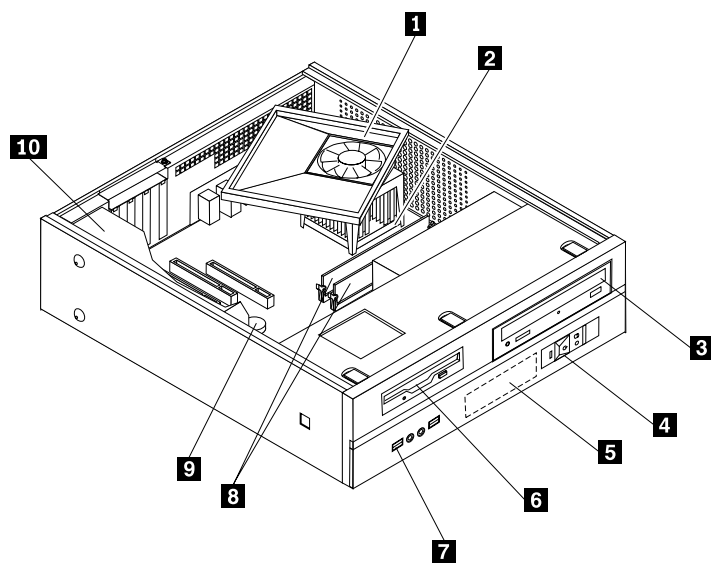
6176 Vista Business 64 SP1 Recovery DVDs	FRU#	CRU
Japanese (models)	46R7308	1
Norwegian (models)	46R7309	1
Swedish (models)	45R9816	1
Danish (models)	45R9817	1
Dutch (models)	45R9818	1
Czech (models)	46R7310	1
Finnish (models)	46R7311	1
Polish (models)	46R7312	1
Russian (models)	45R9822	1
Turkish (models)	45R9823	1
Hungarian (models)	45R9824	1
Greek (models)	45R9825	1
Simplified Chinese (models)	46R7313	1
Taiwan (models)	45R9827	1
Hong Kong (models)	45R9828	1
Korea (models)	45R9829	1
Russian English (models)	46R7314	1
Portuguese (models)	45R9831	1
Arabic Localized (models)	45R9832	1
Hebrew (models)	45R9833	1
Slovakian (models)	45R9834	1

6176 Vista Ultimate 32 SP1 Recovery DVDs	FRU#	CRU
English (models)	46R7329	1
Japanese (models)	46R7330	1
Simplified Chinese (models)	46R7331	1
French (models)	46R7332	1
German (models)	46R7333	1
Spanish (models)	46R7334	1
Italian (models)	46R7335	1
Brazilian Portuguese (models)	46R7336	1
Danish (models)	46R7337	1
Swedish (models)	45R9874	1
Finland (models)	45R9875	1
Dutch (models)	45R9876	1
Traditional Chinese (models)	46R7338	1
Hong Kong (models)	46R7339	1
Norwegian (models)	46R7340	1
Korean (models)	45R9880	1

6176 Vista Ultimate 32 SP1 Recovery DVDs	FRU#	CRU
Slovenian (models)	45R9881	1
Greek (models)	45R9882	1
Russian (models)	46R7341	1
Portuguese (models)	45R9884	1
Turkish (models)	45R9885	1
Czech (models)	45R9886	1
Polish (models)	45R9887	1
Russian English (models)	46R5089	1
Arabic Localized (models)	46R7342	1
Hebrew (models)	45R9890	1
Hungarian (models)	45R9891	1
Slovakian (models)	45R9892	1

6176 Vista Starter 32 Recovery DVDs	FRU#	CRU
English (models)	46R5059	1

Machine Type 6177



Item #	6177 FRUs	FRU#	CRU
1	Heat Sink Intel 65W/95W Heatsink Kit (all models)	41R6429	2
2	Microprocessor, Celeron 420 CONROE-L 800/1600MHZ-512K,LGA,EM64T (models)	43C3835	N
2	Microprocessor, Celeron 430 CONROE-L 800/1800MHZ-512K,LGA,EM64T (models)	43C1964	N
2	Microprocessor, Celeron 440 CONROE-L 800/2000MHZ-512K,LGA,EM64T (models)	43C1965	N
2	Microprocessor, Pentium Dual-core E2140 CONROE-L 800/1600MHZ-1M, LGA, EM64T (models)	43C1967	N

Item #	6177 FRUs	FRU#	CRU
2	Microprocessor, Pentium Dual-core E2160 CONROE-L 800/1800MHZ-1M, LGA, EM64T (models)	43C1968	N
2	Microprocessor, Core 2 Duo E4400 L2 CONROE 800/2000MHZ-2M, LGA, EM64T (models)	43C2056	N
2	Microprocessor, Core 2 Duo E6400 B2 CONROE 1066/2130MHZ-2M, LGA, EM64T L2 Value (models)	41X2496	N
2	Microprocessor, Pentium Dual-core E2200 CONROE-L 800/2200MHZ-1M, LGA, EM64T - NPI (models CTO)	45C5349	N
2	Microprocessor, Pentium Dual-core E2180 CONROE-L 800/2000MHZ-1M, LGA, EM64T - NPI (models CTO)	45C1773	N
2	Microprocessor, Pentium Dual-core E2220 CONROE-L 800/2400MHZ-1M, LGA, EM64T - NPI (models CTO)	45C1774	N
2	Microprocessor, Core 2 Duo E4600 M0 CONROE 800/2400MHZ-2M, LGA, EM64T - NPI (models CTO)	45C5282	N
2	Microprocessor, Core 2 Duo E4500 M0 CONROE 800/2200MHZ-2M, LGA, EM64T (models CTO)	43C6305	N
2	Microprocessor, Core 2 Duo E6850 G0 CONROE 1333/3000MHZ-4M, LGA, EM64T (models CTO)	43C1694	N
2	Microprocessor, Core 2 Duo E6750 G0 CONROE 1333/2660MHZ-4M, LGA, EM64T (models CTO)	43C1693	N
2	Microprocessor, Core 2 Duo E6550 G0 CONROE 1333/2330MHZ-4M, LGA, EM64T (models CTO)	43C3833	N
2	Microprocessor, Core 2 Quad G-0 Q6700 KENTSFIELD 1066/2660MHZ-8M (models CTO)	43C6309	N
2	Microprocessor, Core 2 Quad G-0 Q6600 KENTSFIELD 1066/2400MHZ-8M (models CTO)	43C1695	N
2	Microprocessor, Core 2 Duo E8500 WOLFDAL E 1333/3160MHZ-6M (models CTO)	45C7735	N
2	Microprocessor, Core 2 Duo E8400 WOLFDAL E 1333/3000MHZ-6M (models CTO)	45C7736	N
2	Microprocessor, Core 2 Duo E8200 WOLFDAL E 1333/2660MHZ-6M (models CTO)	45C7738	N
2	Microprocessor, Core 2 Duo E8190 WOLFDAL E 1333/2660MHZ-6M - NON VT/Vpro (models CTO)	45R2568	N
2	Microprocessor, Core 2 Quad Q9550 C-1 YORKFIELD 2.83GHz 1333MHZ FSB 12M L2 (models CTO)	45C7739	N
2	Microprocessor, Core 2 Quad Q9450 C-1 YORKFIELD 2.66GHz 1333MHZ FSB 12M L2 (models CTO)	45C7740	N
2	Microprocessor, Core 2 Quad Q9300 M-1 YORKFIELD 2.5GHz 1333MHZ FSB 6M L2 (models CTO)	45C7741	N
2	Microprocessor, Core 2 Duo E8300 C-0 WOLFDAL E 2.83GHz 1333MHZ FSB 6M L2 (models CTO)	45C7737	N
2	Microprocessor, Core 2 Duo E7300 M-0 2.66GHz 1066MHz FSB 3M L2 (models CTO)	46R1622	N
2	Microprocessor, Core 2 Duo E7200 M-0 2.53GHz 1066MHz FSB 3M L2 (models CTO)	45R8337	N
2	Microprocessor, Core 2 Duo E4700 G-0 2.6GHz 800MHz FSB 2M L2 (models CTO)	45R5786	N
2	Microprocessor, Celeron Dual Core E1400 M-0 2.0GHz 800MHz FSB 512K L2 (models CTO)	45R8339	N

Item #	6177 FRUs	FRU#	CRU
2	Microprocessor, Celeron Dual Core E1200 M-0 1.6GHz 800MHz FSB 512K L2, LGA, EM64T - NPI (models CTO)	45R8341	N
2	Microprocessor, Core 2 Duo E8600 E-0 WOLFDAL E 3.33GHz 1333MHZ FSB 6M L2 (models CTO)	46R8640	N
2	Microprocessor, Pentium Dual Core E5200 M-0 WOLFDAL E 2.5GHz 800MHZ FSB 2M L2 (models CTO)	46R9512	N
3	DVD-ROM Drive - 16x/48x - SATA Vista & non-Vista (models)	41N3325	2
3	DVD-ROM/CD-RW Combo Drive - 48x/32x/48x/16x - SATA Vista & non-Vista (models)	42Y9353	2
3	DVD-RW/CD-RW Rambo 8 - SATA Vista & non-Vista (models B1U B1F B1S B1P B1D B1Y B1G B1M B1A B1Q B1T B1C B1B B1H B1V B1K B1R B1E)	43C1042	2
4	Front Power/LED PC, bracket, and cable (all models)	41N8213	2
5	Hard disk drive, SATA 80GB 7200RPM/3Gb/8MB (models)	40Y9034	2
5	Hard disk drive, SATA 160GB 7200RPM/3Gb/8MB (models B1U B1F B1S B1P B1D B1Y B1G B1M B1A B1Q B1T B1C B1B B1H B1V B1K B1R B1E)	40Y9035	2
5	Hard disk drive, SATA 320GB 7200rpm SATA/8MB (models)	87H4891	2
6	Diskette drive, 3,5", 1.44MB, 2-mode, (w/bezel) (models)	40Y9105	2
6	Diskette drive, 3,5", 1.44MB, 2-mode, (w/bezel) (models)	40Y9107	2
7	Front USB/Audio with bracket (all models)	41N8212	2
8	Memory module, 512 MB PC-5300 (667MHz) DDR2 SDRAM (models)	41X4255	2
8	Memory module, 1 GB PC-5300 (667MHz) DDR2 SDRAM (models B1U B1F B1S B1P B1D B1Y B1G B1M B1A B1Q B1T B1C B1B B1H B1V B1K B1R B1E B1J)	41X4256	2
8	Memory module, 2 GB PC-5300 (667MHz) DDR2 SDRAM (models)	41X4257	2
8	Memory module, 512 MB PC2-6400 (800MHz) DDR2 SDRAM (models)	41X1079	2
8	Memory module, 1GB PC-6400 (800MHz) DDR2 SDRAM (models)	41X1080	2
8	Memory module, 2GB PC-6400 (800MHz) DDR2 SDRAM (models)	41X1081	2
9	System board, Intel G31 mATX GA Level (models)	53Y3282	N
10	Power supply, 220 Watt Power Supply - Robust; for all countries except for JP (models B1U B1F B1S B1P B1D B1Y B1G B1M B1A B1Q B1T B1C B1B B1H B1V B1K B1R B1E)	41A9689	N
10	Power supply, 220 Watt Power Supply - Japan; only for JP (models B1J)	41A9697	2
10	Power supply, 220W 80% Power supply-for all countries (models B1U B1F B1S B1P B1D B1Y B1G B1M B1A B1Q B1T B1C B1B B1H B1V B1K B1R B1E B1J)	41A9670	2
10	Power supply, 280W TFX Active PFC, for all countries (models B1U B1F B1S B1P B1D B1Y B1G B1M B1A B1Q B1T B1C B1B B1H B1V B1K B1R B1E B1J)	41A9705	2

The FRUs listed in the following tables are not illustrated.

6177 FRUs	FRU#	CRU
Planer shield, Atx 946, G31 with usb number (all models)	41R6384	N
Cabel, SATA 250mm (RoHS) (all models)	43N9012	2
Shield, EMC , Blank 5.25 (all models)	41N8271	2
Shield, EMC , Blank diskette drive (all models)	41N8273	2

6177 FRUs	FRU#	CRU
Cover (all models)	41N8204	2
Mechanical shell kit (all models)	41R6387	N
Bezel kit, without IBM logo (all models)	41R6238	2
Miscellaneous hardware kit (all models)	41N8209	2
Hard disk drive bracket assembly (plastic and grommets) (all models)	41N8210	2
Hard disk drive fan and bracket asm (all models)	41R6325	2
Speaker cable assembly, 600 mm cable length (all models)	41N8217	2
Fan duct assembly (all models)	41R4808	2
Rear USB 2Ports II LP (R), low profile I/O, 200mm, Rohs (all models)	42Y8006	2
Retention module assembly, Intel (all models)	41A7139	N
Intrusion switch assembly (all models)	41R6208	2
Foot stand (all models)	41R4813	1
Cable, diskette drive (all models)	41A7147	2
Cable, serial ATA, 250 mm (all models)	41A7145	2
Planer shield, Atx 946, with usb number (all modes)	41R6378	N
Rear Com2 cable , Rohs (all models)	41R6198	2
Rear Com2 cable II LP(R), low profile I/O, 250mm, Rohs (all models)	42Y8008	2
Fru,Tamdhu chassis primary HDD cage (all models)	45K6272	1
Fru,Tamdhu ruber foot(For acoustic improvement) (all models)	45K6278	2
BATTERY 3V-LITHIUM (TOWER,ROCKYS,LX-607) (models B1U B1F B1S B1P B1D B1Y B1G B1M B1A B1Q B1T B1C B1B B1H B1V B1K B1R B1E B1J)	45C1566	N

6177 Keyboard (Lenovo USB Preferred -- without hub)	FRU#	CRU Tier
US English (models)	41A5039	1
Arabic (models)	41A5040	1
Arabic/French (models)	41A5041	1
Belgian/French (models)	41A5042	1
Belgian/English (models)	41A5043	1
Brazilian Portuguese (models)	41A5044	1
Bulgarian (models)	41A5045	1
Chinese/US (models)	41A5046	1
Czech (models)	41A5047	1
Danish (models)	41A5048	1
Dutch (models)	41A5049	1
French (models)	41A5050	1
French Canadian (models)	41A5051	1
French Canadian (models)	41A5052	1
German (models)	41A5053	1
Greek (models)	41A5054	1

6177 Keyboard (Lenovo USB Preferred -- without hub)	FRU#	CRU Tier
Greek/US (models)	41A5080	1
Hebrew (models)	41A5055	1
Hungarian (models)	41A5056	1
Iceland (models)	41A5057	1
Italian (models)	41A5058	1
Japanese (models)	41A5059	1
Korean (models)	41A5060	1
LA Spanish (models)	41A5061	1
Norwegian (models)	41A5062	1
Polish (models)	41A5063	1
Portuguese (models)	41A5064	1
Romanian (models)	41A5065	1
Russian/Cyrillic (models)	41A5066	1
Serbian/Cyrillic (models)	41A5067	1
Slovak (models)	41A5068	1
Spanish (models)	41A5069	1
Swedish/Finnish (models)	41A5070	1
Swiss (models)	41A5071	1
Thailand (models)	41A5072	1
Turkish (models)	41A5073	1
Turkish (models)	41A5074	1
UK English (models)	41A5075	1
US Euro (models)	41A5076	1
Slovenian (models)	41A5077	1

6177 Keyboard (Lenovo USB Preferred -- without hub)	FRU#	CRU Tier
US English (models B1U B1M B1A B1Q B1H B1R B1E)	41A5289	1
Arabic (models)	41A5290	1
Arabic/French (models B1G)	41A5291	1
Belgian/French (models B1G)	41A5292	1
Belgian/UK (models B1G)	41A5293	1
Brazilian Portuguese (models B1P)	41A5294	1
Bulgarian (models B1G)	41A5295	1
Chinese/US (models B1B B1V)	41A5296	1
Czech(ABB) (models B1G)	41A5297	1
Danish (models B1G)	41A5298	1
Dutch (models B1G)	41A5299	1
French (models B1G)	41A5300	1

6177 Keyboard (Lenovo USB Preferred -- without hub)	FRU#	CRU Tier
French Canadian (models B1F)	41A5301	1
French Canadian (models B1F)	41A5302	1
German (models B1G)	41A5303	1
Greek (models B1G)	41A5304	1
Greek/US (models B1G)	41A5305	1
Hebrew (models B1G)	41A5306	1
Hungarian (models B1G)	41A5307	1
Iceland (models B1G)	41A5308	1
Italian (models B1G)	41A5309	1
Japanese (models B1J)	41A5310	1
Korean (models B1K)	41A5311	1
LA Spanish (models B1S B1D B1Y)	41A5312	1
Norwegian (models B1G)	41A5313	1
Polish (models B1G)	41A5314	1
Portuguese (models B1G)	41A5315	1
Romanian (models B1G)	41A5317	1
Russian/Cyrillic (models B1G)	41A5318	1
Serbian/Cyrillic (models B1G)	41A5319	1
Slovak (models B1G)	41A5320	1
Spanish (models B1G)	41A5321	1
Swedish/Finnish (models B1G)	41A5322	1
Swiss French/German (models B1G)	41A5323	1
Thailand (models B1T)	41A5324	1
Turkish (models B1G)	41A5325	1
Turkish (models B1G)	41A5326	1
UK English (models B1G)	41A5327	1
US Euro (models)	41A5328	1
Slovenian (models B1G)	41A5329	1

6177 Keyboard (Lenovo Enhanced Perf, USB Preferred -- with hub)	FRU#	CRU Tier
US English (models)	41A4961	1
Arabic (models)	41A4962	1
Arabic/French (models)	41A4963	1
Belgian/French (models)	41A4964	1
Belgian/UK (models)	41A4965	1
Brazilian Portuguese (models)	41A4966	1
Bulgarian (models)	41A4967	1
Chinese/US (models)	41A4968	1

6177 Keyboard (Lenovo Enhanced Perf, USB Preferred -- with hub)	FRU#	CRU Tier
Czech(ABB) (models)	41A4969	1
Danish (models)	41A4970	1
Dutch (models)	41A4971	1
French (models)	41A4972	1
French Canadian (models)	41A4973	1
French Canadian (models)	41A4974	1
German (models)	41A4975	1
Greek (models)	41A4976	1
Greek/US (models)	41A5078	1
Hebrew (models)	41A4977	1
Hungarian (models)	41A4978	1
Iceland (models)	41A4979	1
Italian (models)	41A4980	1
Japanese (models)	41A4981	1
Korean (models)	41A4982	1
LA Spanish (models)	41A4983	1
Norwegian (models)	41A4984	1
Polish (models)	41A4985	1
Portuguese (models)	41A4986	1
Romanian (models)	41A4987	1
Russian/Cyrillic (models)	41A4988	1
Serbian/Cyrillic (models)	41A4989	1
Slovak (models)	41A4990	1
Spanish (models)	41A4991	1
Swedish/Finnish (models)	41A4992	1
Swiss French/German (models)	41A4993	1
Thailand (models)	41A4994	1
Turkish (models)	41A4995	1
Turkish (models)	41A4996	1
UK English (models)	41A4997	1
US Euro (models)	41A4998	1
Slovenian (models)	41A4999	1

6177 Keyboard (Lenovo Fingerprint Reader USB)	FRU#	CRU Tier
US English (models)	41A5248	1
Arabic (models)	41A5249	1
Arabic/French (models)	41A5250	1
Belgian/French (models)	41A5251	1

6177 Keyboard (Lenovo Fingerprint Reader USB)	FRU#	CRU Tier
Belgian/UK (models)	41A5252	1
Brazilian Portuguese (models)	41A5253	1
Bulgarian (models)	41A5254	1
Chinese/US (models)	41A5255	1
Czech(ABB) (models)	41A5256	1
Danish (models)	41A5257	1
Dutch (models)	41A5258	1
French (models)	41A5259	1
French Canadian (models)	41A5260	1
French Canadian (models)	41A5261	1
German (models)	41A5262	1
Greek (models)	41A5263	1
Greek/US (models)	41A5264	1
Hebrew (models)	41A5265	1
Hungarian (models)	41A5266	1
Iceland (models)	41A5267	1
Italian (models)	41A5268	1
Japanese (models)	41A5269	1
Korean (models)	41A5270	1
LA Spanish (models)	41A5271	1
Norwegian (models)	41A5272	1
Polish (models)	41A5273	1
Portuguese (models)	41A5274	1
Romanian (models)	41A5276	1
Russian/Cyrillic (models)	41A5277	1
Serbian/Cyrillic (models)	41A5278	1
Slovak (models)	41A5279	1
Spanish (models)	41A5280	1
Swedish/Finnish (models)	41A5281	1
Swiss French/German (models)	41A5282	1
Thailand (models)	41A5283	1
Turkish (models)	41A5284	1
Turkish (models)	41A5285	1
UK English (models)	41A5286	1
US European (models)	41A5287	1
Slovenian (models)	41A5288	1

6177 mice	FRU#	CRU
Optical wheel mouse (400DPI, USB) (models B1U B1F B1S B1P B1D B1Y B1G B1M B1A B1Q B1T B1C B1B B1H B1V B1K B1R B1E)	41U3013	1
Optical wheel mouse (400DPI, USB) (models B1U B1F B1S B1P B1D B1Y B1G B1M B1A B1Q B1T B1C B1B B1H B1V B1K B1R B1E)	41U3030	1
PS/2 2 Button ball mouse (models)	41R0018	1

6177 Adapters and miscellaneous FRUs	FRU#	CRU
Internal USB memory card reader floppy bay (models)	41R3378	2
Internal USB 25 in 1 memory card reader floppy bay (models)	45R8139	2
USB Memory key (models)	43R2296	2
Internal USB memory card reader floppy bay (models)	41R3376	2
IEEE 1394 firewire adapter SFF (models)	41D2781	2
Soft Modem V.90/V.44 SFF (models CTO)	46R4220	2
USB Memory key - 1G RoW (models)	41U4978	1
ATI HD 2400PRO 128MB 64BIT DMS59 LP (models)	43C0259	2
ATI HD 2400XT 256MB 64BIT DMS59 LP (models)	43C0260	2
ADD2 DVI adapter, LP (HDCP) (models)	43C0258	2
DVI-I connection adapter full height (models)	39J9334	2
DVI-I connection adapter low profile (models)	39J9334	2
Speaker power brick - US, Canada, LA low voltage, ASEAN (models B1U B1S B1A)	89P8571	1
Speaker power brick - LA high voltage (non-APU) (models B1D)	89P8575	1
Speaker power brick - China, Thailand (models B1T B1C)	89P8581	1
Speaker power brick - Japan (models B1J)	89P8577	1
Speaker power brick - Brazil (models B1P)	89P8583	1
Speaker power brick - Argentina (models)	41A4901	1
Speaker power brick - ANZ (models B1M)	89P8579	1
Speaker brick - Korea (models B1K)	41A4903	1
Speaker brick - Hong Kong, EMEA (models B1H B1B B1G)	89P8573	1
Speaker brick - Taiwan (models B1V)	41A4905	1
Speaker power brick - India, South Africa (models B1Q)	89P8585	1
Dongle DMS Dule DMS-59 to dual VGA cable (models)	42Y8181	2
Dongle DMS Dule DMS-59 to dual DVI cable (models)	41X6398	2

6177 Line Cords	FRU#	CRU
Line cord - US (models B1U B1F B1S B1D B1L B1A B1T)	41R3184	1
Line cord - US (models B1U B1F B1S B1D B1L B1A B1T)	41R3185	1
Line cord - China (models B1C)	41R3256	1
Line cord - China (models B1C)	41R3257	1
Line cord - Brazil (models B1P)	41R3270	1
Line cord - Brazil (models B1P)	41R3271	1

6177 Line Cords	FRU#	CRU
Line cord - LA High Volt APU (models B1Y B1L)	41R3176	1
Line Cord - LA High Volt APU (models B1Y B1L)	41R3177	1
Line Cord - Korea (models B1K)	41R3260	1
Line Cord - Korea (models B1K)	41R3261	1
Line Cord - UK, Ireland, Singapore, Malaysia, Brunei (models B1G B1A)	41R3224	1
Line Cord - UK, Ireland, Singapore, Malaysia, Brunei (models B1G B1A)	41R3225	1
Line Cord - Taiwan (models B1V)	41R3278	1
Line Cord - Taiwan (models B1V)	41R3279	1
Line Cord - Italy (models B1S B1Y B1L B1G)	41R3232	1
Line Cord - Italy (models B1S B1Y B1L B1G)	41R3233	1
Line Cord - Indonesia, Laos, Cambodia, and Vietnam (models B1G B1A)	41R3208	1
Line Cord - Indonesia, Laos, Cambodia, and Vietnam (models B1G B1A)	41R3209	1
Line Cord - Denmark (models B1G)	41R3212	1
Line Cord - Denmark (models B1G)	41R3213	1
Line Cord - Switzerland (models B1G)	41R3228	1
Line Cord - Switzerland (models B1G)	41R3229	1
Line Cord - Israel (models B1G)	41R3236	1
Line Cord - Israel (models B1G)	41R3237	1
Line Cord - South Africa (models B1G B1A B1M)	41R3220	1
Line Cord - South Africa (models B1G B1A B1M)	41R3221	1
Line Cord - India (models B1Q)	41R3341	1
Line Cord - India (models B1Q)	41R3175	1
Line Cord - Japan (models B1J)	41R3248	1
Line Cord - Japan (models B1J)	41R3249	1
Line Cord - ANZ (models B1M)	41R3196	1
Line Cord - ANZ (models B1M)	41R3197	1
Line Cord - Hong Kong (models B1B B1H)	41R3224	1
Line Cord - Hong Kong (models B1B B1H)	41R3225	1

6177 Windows XP Home Recovery CDs	FRU#	CRU
US/UK/AP/TH (models)	TBD	1
FR/CF (models)	TBD	1
GR (models)	TBD	1
IT (models)	TBD	1
BR (models)	TBD	1
SP/LA (models)	TBD	1
DK (models)	TBD	1
NL (models)	TBD	1
AE (models)	TBD	1

6177 Windows XP Home Recovery CDs	FRU#	CRU
SV (models)	TBD	1
HE (models)	TBD	1
FI (models)	TBD	1
NO (models)	TBD	1
PL (models)	TBD	1
PO (models)	TBD	1
RU (models)	TBD	1
RE (models)	TBD	1
HU (models)	TBD	1
CZ (models)	TBD	1
TR (models)	TBD	1
GK (models)	TBD	1
Japanese (models)	TBD	1
Simplified Chinese (models)	TBD	1
Taiwan-TC (models)	TBD	1
Hong Kong-TC (models)	TBD	1
Korea (models)	TBD	1

6177 Windows XP Pro Recovery CDs	FRU#	CRU
US/UK/AP/TH (models)	45R0756	1
FR/CF (models)	45R0759	1
GR (models)	45R0760	1
IT (models)	45R0762	1
BR (models)	45R0763	1
SP/LA (models)	45R0761	1
DK (models)	45R0764	1
NL (models)	45R0767	1
AE (models)	45R2342	1
SV (Swedish) (models)	45R0765	1
HE (models)	45R2334	1
FI (models)	45R0766	1
NO (models)	45R0770	1
PL (models)	45R0777	1
PO (models)	45R0774	1
RU (models)	45R0773	1
RE (models)	45R2318	1
HU (models)	45R0780	1
CZ (models)	45R0776	1
TR (models)	45R0775	1

6177 Windows XP Pro Recovery CDs	FRU#	CRU
GK (models)	45R0772	1
SL (models)	45R2326	1
Japanese (models)	45R0757	1
Simplified Chinese (models)	45R0758	1
Taiwan-TC (models)	45R0768	1
Hong Kong-TC (models)	45R0769	1
Korean (models)	45R0771	1
Multilingual 1 XP-Pro -- EN, NL, FR, GR, IT (models)	45R8246	1
Multilingual 2 XP-Pro -- EN, DK, FI, NO, SV (models)	45R8247	1

6177 Vista Home Basic 32 SP1 Recovery DVDs	FRU#	CRU
Simplified Chinese (models)	45R9751	1
English (models)	46R7273	1
Japanese (models)	46R7274	1
French (models)	46R7275	1
German (models)	46R7276	1
Spanish (models)	46R7277	1
English (models)	46R7278	1
Italian (models)	46R7279	1
Brazilian Portuguese (models)	46R7280	1
Danish (models)	46R7281	1
Swedish (models)	45R9758	1
Finland (models)	45R9759	1
Dutch (models)	45R9760	1
Traditional Chinese (models)	46R7282	1
Hong Kong (models)	46R7283	1
Norwegian (models)	46R7284	1
Korean (models)	45R9764	1
Slovenian (models)	45R9765	1
Greek (models)	45R9766	1
Russian (models)	46R7285	1
Portuguese (models)	45R9768	1
Turkish (models)	45R9769	1
Czech (models)	45R9770	1
Polish (models)	45R9771	1
Russian English (models)	46R7286	1
Arabic Localized (models)	45R9773	1
Hebrew (models)	45R9774	1

6177 Vista Home Basic 32 SP1 Recovery DVDs	FRU#	CRU
Hungarian (models)	45R9775	1
Slovakian (models)	45R9776	1

6177 Vista Business 32 SP1 Recovery DVDs	FRU#	CRU
Simplified Chinese (models B1C)	45R9779	1
English (models B1U B1M B1A B1Q B1H B1R B1E)	46R7287	1
Japanese (models B1J)	46R7288	1
French (models B1G)	46R7289	1
German (models B1G)	46R7290	1
Spanish (models B1G)	46R7291	1
Russian English (models B1G)	46R7292	1
Italian (models B1G)	46R7293	1
Brazilian Portuguese (models B1P)	46R7294	1
Danish (models B1G)	46R7295	1
Swedish (models B1G)	45R9786	1
Finland (models B1G)	45R9787	1
Dutch (models B1G)	45R9788	1
Traditional Chinese (models B1V)	46R7296	1
Hong Kong (models B1B)	46R7297	1
Norwegian (models B1G)	46R7298	1
Korean (models B1K)	45R9792	1
Slovenian (models B1G)	45R9793	1
Greek (models B1G)	45R9794	1
Russian (models B1G)	46R7299	1
Portuguese (models B1G)	45R9796	1
Turkish (models B1G)	45R9797	1
Czech (models B1G)	45R9798	1
Polish (models B1G)	45R9799	1
Russian English (models B1G)	46R7300	1
Arabic Localized (models)	45R9801	1
Hebrew (models B1G)	45R9802	1
Romanian (models B1G)	45R9803	1
Hungarian (models B1G)	45R9804	1
Slovakian (models B1G)	45R9805	1
Serbian-Latin (models)	45R9806	1

6177 Vista VHP SP1 Recovery DVDs	FRU#	CRU
English (models)	46R7315	1
Japanese (models)	46R7316	1

6177 Vista VHP SP1 Recovery DVDs	FRU#	CRU
Simplified Chinese (models)	46R7317	1
French (models)	46R7318	1
German (models)	46R7319	1
Spanish (models)	46R7320	1
Italian (models)	46R7321	1
Brazilian Portuguese (models)	46R7322	1
Danish (models)	46R7323	1
Swedish (models)	45R9844	1
Finland (models)	45R9845	1
Dutch (models)	45R9846	1
Traditional Chinese (models)	46R7324	1
Hong Kong (models)	46R7325	1
Norwegian (models)	46R7326	1
Korean (models)	45R9850	1
Slovenian (models)	45R9851	1
Greek (models)	45R9852	1
Russian (models)	46R7327	1
Portuguese (models)	45R9854	1
Turkish (models)	45R9855	1
Czech (models)	45R9856	1
Polish (models)	45R9857	1
Russian (models)	46R7327	1
Arabic Localized (models)	45R9859	1
Hebrew (models)	45R9860	1
Romanian (models)	45R9861	1
Hungarian (models)	45R9862	1
Slovakian (models)	45R9863	1
Serbian-Latin (models)	45R9864	1

6177 Vista Business 64 SP1 Recovery DVDs	FRU#	CRU
English (models)	46R7301	1
Japanese (models)	46R7302	1
Simplified Chinese (models)	46R7303	1
French (models)	46R7304	1
German (models)	46R7305	1
Spanish (models)	46R7306	1
Italian (models)	46R7307	1
Brazilian Portuguese (models)	46R7308	1
Danish (models)	46R7309	1

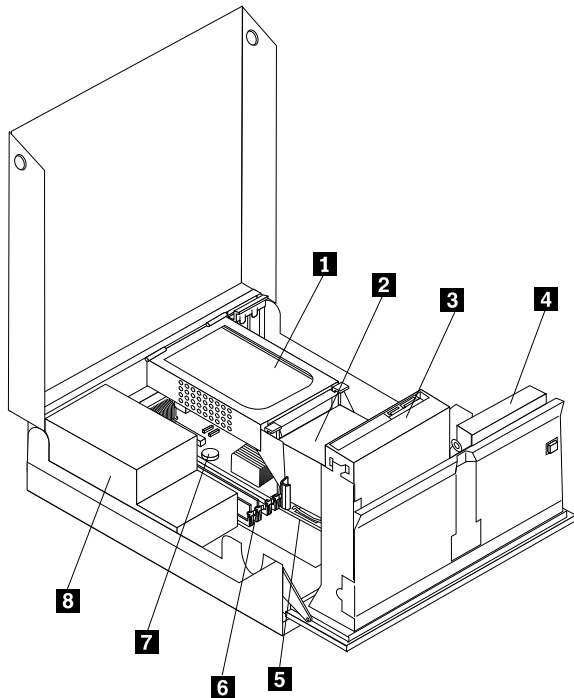
6177 Vista Business 64 SP1 Recovery DVDs	FRU#	CRU
Swedish (models)	45R9816	1
Danish (models)	45R9817	1
Dutch (models)	45R9818	1
Traditional Chinese (models)	46R7310	1
Hong Kong (models)	46R7311	1
Norwegian (models)	46R7312	1
Russian (models)	45R9822	1
Turkish (models)	45R9823	1
Hungarian (models)	45R9824	1
Greek (models)	45R9825	1
Russian (models)	46R7313	1
Taiwan (models)	45R9827	1
Hong Kong (models)	45R9828	1
Korea (models)	45R9829	1
Russian English (models)	46R7314	1
Portuguese (models)	45R9831	1
Arabic Localized (models)	45R9832	1
Hebrew (models)	45R9833	1
Slovakian (models)	45R9834	1

6177 Vista Ultimate 32 SP1 Recovery DVDs	FRU#	CRU
English (models)	46R7329	1
Japanese (models)	46R7330	1
Simplified Chinese (models)	46R7331	1
French (models)	46R7332	1
German (models)	46R7333	1
Spanish (models)	46R7334	1
Italian (models)	46R7335	1
Brazilian Portuguese (models)	46R7336	1
Danish (models)	46R7337	1
Swedish (models)	45R9874	1
Finland (models)	45R9875	1
Dutch (models)	45R9876	1
Traditional Chinese (models)	46R7338	1
Hong Kong (models)	46R7339	1
Norwegian (models)	46R7340	1
Korean (models)	45R9880	1
Slovenian (models)	45R9881	1
Greek (models)	45R9882	1

6177 Vista Ultimate 32 SP1 Recovery DVDs	FRU#	CRU
Russian (models)	46R7341	1
Portuguese (models)	45R9884	1
Turkish (models)	45R9885	1
Czech (models)	45R9886	1
Polish (models)	45R9887	1
Arabic Localized (models)	46R7342	1
Hebrew (models)	45R9890	1
Hungarian (models)	45R9891	1
Slovakian (models)	45R9892	1

6177 Vista Starter 32 Recovery DVDs	FRU#	CRU
English (models)	46R5059	1

Machine Type 6178



Item #	6178 FRUs	FRU#	CRU
1	Hard disk drive,SATA 80GB 7200RPM/3Gb/8MB (models)	40Y9034	2
1	Hard disk drive,SATA 160GB 7200RPM/3Gb/8MB (models B1U B1F B1S B1P B1D B1Y B1G B1M B1A B1Q B1T B1C B1B B1H B1V B1K B1R B1E)	40Y9035	2
1	Hard disk drive,SATA 320GB 7200rpm SATA/8MB (models)	87H4891	2
2	Thermal kit (all models)	41R6039	2
3	Optical drive,DVD-ROM Drive - 16x/48x - SATA Vista & non-Vista (models)	41N3325	2

Item #	6178 FRUs	FRU#	CRU
3	Optical drive,DVD-ROM/CD-RW Combo Drive - 48x/32x/48x/16x - SATA Vista & non-Vista (models)	42Y9353	2
3	Optical drive,DVD-RW/CD-RW Rambo 8 - SATA Vista & non-Vista (models B1U B1F B1S B1P B1D B1Y B1G B1M B1A B1Q B1T B1C B1B B1H B1V B1K B1R B1E)	43C1042	2
5	Microprocessor, Celeron 420 CONROE-L 800/1600MHZ-512K,LGA,EM64T(models)	43C3835	N
5	Microprocessor, Celeron 430 CONROE-L 800/1800MHZ-512K,LGA,EM64T(models)	43C1964	N
5	Microprocessor, Celeron 440 CONROE-L 800/2000MHZ-512K,LGA,EM64T(models)	43C1965	N
5	Microprocessor, Pentium Dual-core E2140 CONROE-L 800/1600MHZ-1M, LGA, EM64T (models)	43C1967	N
5	Microprocessor, Pentium Dual-core E2160 CONROE-L 800/1800MHZ-1M, LGA, EM64T (models)	43C1968	N
5	Microprocessor, Core 2 Duo E4400 L2 CONROE 800/2000MHZ-2M, LGA, EM64T(models)	43C2056	N
5	Microprocessor,Core 2 Duo E6400 B2 CONROE 1066/2130MHZ-2M, LGA, EM64T L2 Value (models)	41X2496	N
6	Memory module,512 MB PC-5300 (667MHz) DDR2 SDRAM (models)	41X4255	2
6	Memory module,1 GB PC-5300 (667MHz) DDR2 SDRAM (models B1U B1F B1S B1P B1D B1Y B1G B1M B1A B1Q B1T B1C B1B B1H B1V B1K B1R B1E B1J)	41X4256	2
6	Memory module,2 GB PC-5300 (667MHz) DDR2 SDRAM (models)	41X4257	2
6	Memory module,512 MB PC2-6400 (800MHz) DDR2 SDRAM (models)	41X1079	2
6	Memory module,1GB PC-6400 (800MHz) DDR2 SDRAM (models)	41X1080	2
6	Memory module,2GB PC-6400 (800MHz) DDR2 SDRAM (models)	41X1081	2
7	System board, Intel G31 nano-BTX GA Level (models B1U B1F B1S B1P B1D B1Y B1G B1M B1A B1Q B1T B1C B1B B1H B1V B1K B1R B1E B1J)	53Y3195	N
7	System board, Intel G31 nano-BTX GA Level (models B1U B1F B1S B1P B1D B1Y B1G B1M B1A B1Q B1T B1C B1B B1H B1V B1K B1R B1E B1J)	53Y5125	N
8	Power supply,280W Active PFC power supply for 10L---all countries (models B1U B1F B1S B1P B1D B1Y B1G B1M B1A B1Q B1T B1C B1B B1H B1V B1K B1R B1E B1J)	41A9701	2
8	Power supply,280W 80+ power supply for 10L---all countries (models B1U B1F B1S B1P B1D B1Y B1G B1M B1A B1Q B1T B1C B1B B1H B1V B1K B1R B1E B1J)	41A9717	2

The FRUs listed in the following tables are not illustrated.

6178 FRUs	FRU#	CRU
Power switch/LED cable assembly (all models)	41R3391	2
USB cable assembly (all models)	41R3392	2
SATA cable, 120mm (all models)	41R3328	2
SATA cable, 700mm (all models)	39K5026	2
Speaker/Cable assembly (all models)	39K5012	2
Temperature Sense cable (460 mm) (all models)	41R2509	2
System Fan (all models)	41R6042	2
System Fan assembly (all models)	41R6249	2
Cpu Support Module (all models)	41R6252	N

6178 FRUs	FRU#	CRU
HDD Tray assembly (all models)	41R6253	2
Internal Plastic (all models)	41R6254	2
Bezel, Plastic (all models)	41R6255	2
Front rotating cage assembly (all models)	41R6256	N
Top cover assembly (all models)	41R6257	2
L1-C2 intrusion switch (all models)	39K5022	2
Fan for SFF (all models)	41R6042	2
Reel IO shield BTX atlantic (all models)	41R6381	N
Temperature Sense cable (460 mm) (all models)	41R2509	2
C2 Intrusion Switch (all models)	39K5022	2
Intel 95W/65W heatsink Kit (all models)	41R6039	2
Chassis atlantic (all models)	41R6275	N
10L FRONT I/O CABLE (models)	43N9015	2
Cabel-SATA 700mm (RoHS) (all models)	43N9011	2
Universal Adapter Bracket 5.25 to 3.5 (all models)	43N9361	2
ODD mounting kit (all models)	43N9362	2
Cardreader Bezel Kit (all models)	43N9363	2
Battery 3V- Lithium (models B1U B1F B1S B1P B1D B1Y B1G B1M B1A B1Q B1T B1C B1B B1H B1V B1K B1R B1E B1J)	45C1566	1
FDD Retainer, 607AT, SFF (LX-607) (all models)	43N9681	2
Internal USB 25 in 1 Memory Card Reader Slim (SFF) (models CTO)	53Y3347	2
Vertical Stand, Tampa/607CT (all models)	43N9644	N
HDD bracket ASM (all models)	43N9690	2
Fru,Tamdhu chassis primary HDD cage (all models)	45K6272	1
Fru,Tamdhu ruber foot(For acoustic improvement) (all models)	45K6278	2
HDD bracket with cover b, for Toyota, Flex (all models)	43N9691	2

6178 Keyboard (Lenovo USB Preferred -- without hub)	FRU#	CRU Tier
US English (models)	41A5039	1
Arabic (models)	41A5040	1
Arabic/French (models)	41A5041	1
Belgian/French (models)	41A5042	1
Belgian/English (models)	41A5043	1
Brazilian Portuguese (models)	41A5044	1
Bulgarian (models)	41A5045	1
Chinese/US (models)	41A5046	1
Czech (models)	41A5047	1
Danish (models)	41A5048	1
Dutch (models)	41A5049	1

6178 Keyboard (Lenovo USB Preferred -- without hub)	FRU#	CRU Tier
French (models)	41A5050	1
French Canadian (models)	41A5051	1
French Canadian (models)	41A5052	1
German (models)	41A5053	1
Greek (models)	41A5054	1
Greek/US (models)	41A5080	1
Hebrew (models)	41A5055	1
Hungarian (models)	41A5056	1
Iceland (models)	41A5057	1
Italian (models)	41A5058	1
Japanese (models)	41A5059	1
Korean (models)	41A5060	1
LA Spanish (models)	41A5061	1
Norwegian (models)	41A5062	1
Polish (models)	41A5063	1
Portuguese (models)	41A5064	1
Romanian (models)	41A5065	1
Russian/Cyrillic (models)	41A5066	1
Serbian/Cyrillic (models)	41A5067	1
Slovak (models)	41A5068	1
Spanish (models)	41A5069	1
Swedish/Finnish (models)	41A5070	1
Swiss (models)	41A5071	1
Thailand (models)	41A5072	1
Turkish (models)	41A5073	1
Turkish (models)	41A5074	1
UK English (models)	41A5075	1
US Euro (models)	41A5076	1
Slovenian (models)	41A5077	1

6178 Keyboard (Lenovo USB Preferred -- without hub)	FRU#	CRU Tier
US English (models B1U B1M B1A B1Q B1H B1R B1E)	41A5289	1
Arabic (models)	41A5290	1
Arabic/French (models B1G)	41A5291	1
Belgian French (models B1G)	41A5292	1
Belgium English (models B1G)	41A5293	1
Brazilian Portuguese (models B1P)	41A5294	1
Bulgarian (models B1G)	41A5295	1

6178 Keyboard (Lenovo USB Preferred -- without hub)	FRU#	CRU Tier
Chinese/US (models B1B B1V)	41A5296	1
Czech (ABB) (models B1G)	41A5297	1
Danish (models B1G)	41A5298	1
Dutch (models B1G)	41A5299	1
French (models B1G)	41A5300	1
French Canadian (models B1F)	41A5301	1
French Canadian (models B1F)	41A5302	1
German (models B1G)	41A5303	1
Greek (models B1G)	41A5304	1
Greek/US (models B1G)	41A5305	1
Hebrew (models B1G)	41A5306	1
Hungarian (models B1G)	41A5307	1
Iceland (models B1G)	41A5308	1
Japanese (models B1J)	41A5310	1
Korean (models B1K)	41A5311	1
LA Spanish (models B1S B1D B1Y)	41A5312	1
Italian (models B1G)	41A5309	1
Norwegian (models B1G)	41A5313	1
Polish (models B1G)	41A5314	1
Portuguese (models B1G)	41A5315	1
Romanian (models B1G)	41A5317	1
Russian/Cyrillic (models B1G)	41A5318	1
Serbian/Cyrillic (models B1G)	41A5319	1
Slovak (models B1G)	41A5320	1
Spanish (models B1G)	41A5321	1
Swedish/Finnish (models B1G)	41A5322	1
Swiss French/German (models B1G)	41A5323	1
Thailand (models B1T)	41A5324	1
Turkish (models B1G)	41A5325	1
Turkish (models B1G)	41A5326	1
UK English (models B1G)	41A5327	1
US Euro (models)	41A5328	1
Slovenian (models B1G)	41A5329	1

6178 Keyboard (Lenovo Enhanced Perf, USB Preferred -- with hub)	FRU#	CRU Tier
US English (models)	41A4961	1
Arabic (models)	41A4962	1
Arabic/French (models)	41A4963	1

6178 Keyboard (Lenovo Enhanced Perf, USB Preferred -- with hub)	FRU#	CRU Tier
Belgian/French (models)	41A4964	1
Belgium English (models)	41A4965	1
Brazilian Portuguese (models)	41A4966	1
Bulgarian (models)	41A4967	1
Chinese/US (models)	41A4968	1
Czech (ABB) (models)	41A4969	1
Danish (models)	41A4970	1
Dutch (models)	41A4971	1
French (models)	41A4972	1
French Canadian (models)	41A4973	1
French Canadian (models)	41A4974	1
German (models)	41A4975	1
Greek (models)	41A4976	1
Greek/US (models)	41A5078	1
Hebrew (models)	41A4977	1
Hungarian (models)	41A4978	1
Iceland (models)	41A4979	1
Italy (models)	41A4980	1
Japanese (models)	41A4981	1
Korean (models)	41A4982	1
LA Spanish (models)	41A4983	1
Norwegian (models)	41A4984	1
Polish (models)	41A4985	1
Portuguese (models)	41A4986	1
Romanian (models)	41A4987	1
Russian/Cyrillic (models)	41A4988	1
Serbian/Cyrillic (models)	41A4989	1
Slovak (models)	41A4990	1
Spanish (models)	41A4991	1
Swedish/Finnish (models)	41A4992	1
Swiss French/German (models)	41A4993	1
Thailand (models)	41A4994	1
Turkish (models)	41A4995	1
Turkish (models)	41A4996	1
UK English (models)	41A4997	1
US Euro (models)	41A4998	1
Slovenian (models)	41A4999	1

6178 Keyboard (Lenovo Fingerprint Reader USB)	FRU#	CRU Tier
US English (models)	41A5248	1
Arabic (models)	41A5249	1
Arabic/French (models)	41A5250	1
Belgian French (models)	41A5251	1
Belgium English (models)	41A5252	1
Brazilian Portuguese (models)	41A5253	1
Bulgarian (models)	41A5254	1
Chinese/US (models)	41A5255	1
Czech (ABB) (models)	41A5256	1
Danish (models)	41A5257	1
Dutch (models)	41A5258	1
French (models)	41A5259	1
French Canadian (models)	41A5260	1
French Canadian (models)	41A5261	1
German (models)	41A5262	1
Greek (models)	41A5263	1
Greek/US (models)	41A5264	1
Hebrew (models)	41A5265	1
Hungarian (models)	41A5266	1
Iceland (models)	41A5267	1
Italy (models)	41A5268	1
Japanese (models)	41A5269	1
Korean (models)	41A5270	1
LA Spanish (models)	41A5271	1
Norwegian (models)	41A5272	1
Polish (models)	41A5273	1
Portuguese (models)	41A5274	1
Romanian (models)	41A5276	1
Russian/Cyrillic (models)	41A5277	1
Serbian/Cyrillic (models)	41A5278	1
Slovak (models)	41A5279	1
Spanish (models)	41A5280	1
Swedish/Finnish (models)	41A5281	1
Swiss French/German (models)	41A5282	1
Thailand (models)	41A5283	1
Turkish (models)	41A5284	1
Turkish (models)	41A5285	1
UK English (models)	41A5286	1

6178 Keyboard (Lenovo Fingerprint Reader USB)	FRU#	CRU Tier
US Euro (models)	41A5287	1
Slovenian (models)	41A5288	1

6178 mice	FRU#	CRU
Optical Wheel Mouse (400DPI, USB) (models B1U B1F B1S B1P B1D B1Y B1G B1M B1A B1Q B1T B1C B1B B1H B1V B1K B1R B1E)	41U3013	1
Optical Wheel Mouse (400DPI, USB) (models B1U B1F B1S B1P B1D B1Y B1G B1M B1A B1Q B1T B1C B1B B1H B1V B1K B1R B1E)	41U3030	1
PS/2 Three Button ball mouse (41R0017) (models)	41R0018	1

6178 Adapters and miscellaneous FRUs	FRU#	CRU
USB Memory Key - 1G RoW (models)	41U4978	1
USB Memory Key (models)	43R2296	2
Soft Modem V.90/V.44 SFF (models CTO)	46R4220	2
IEEE 1394 Firewire Adapter SFF (models)	41D2781	2
Internal USB Memory Card Reader Slim (models)	43C9207	1
ATI HD 2400PRO 128MB 64BIT DMS59 LP (models)	43C0259	2
ATI HD 2400XT 256MB 64BIT DMS59 ATX (models)	43C0260	2
ADD2 DVI Adapter,LP (HDCP) (models)	43C0258	2
DVI-I connection Adapter Full Height (models)	39J9334	2
Speaker Power brick - US, Canada, LA low voltage, ASEAN (models B1U B1S B1A)	89P8571	1
Internal USB Memory Card Reader Slim (LX-607) (models)	45R1885	1
Speaker Power brick - LA high voltage (non-APU) (models B1D)	89P8575	1
Speaker Power brick - China, Thailand (models B1T B1C)	89P8581	1
Speaker Power brick - Japan (models B1J)	89P8577	1
Speaker Power brick - Brazil (models B1P)	89P8583	1
Speaker Power brick - Argentina (models)	41A4901	1
Speaker Power brick - ANZ (models B1M)	89P8579	1
Speaker Brick - Korea (models B1K)	41A4903	1
Speaker Brick - Hong Kong, EMEA (models B1H B1B B1G)	89P8573	1
Speaker Brick - Taiwan (models B1V)	41A4905	1
Speaker Power brick - India, South Africa (models B1Q)	89P8585	1
Dongle DMS Dule DMS-59 to dual VGA Cable(models)	42Y8181	2
Dongle DMS Dule DMS-59 to dual DVI Cable (models)	41X6398	2

6178 Line Cords	FRU#	CRU
Line cord - US (models B1U B1F B1S B1D B1L B1A B1T)	41R3184	1
Line cord - US (models B1U B1F B1S B1D B1L B1A B1T)	41R3185	1
Line cord - China (models B1C)	41R3256	1

6178 Line Cords	FRU#	CRU
Line cord - China (models B1C)	41R3257	1
Line cord - Brazil (models B1P)	41R3270	1
Line cord - Brazil (models B1P)	41R3271	1
Line cord - LA High Volt APU (models B1Y B1L)	41R3176	1
Line Cord - LA High Volt APU (models B1Y B1L)	41R3177	1
Line Cord - Korea (models B1K)	41R3260	1
Line Cord - Korea (models B1K)	41R3261	1
Line Cord - UK, Ireland, Singapore, Malaysia, Brunei (models B1G B1A)	41R3224	1
Line Cord - UK, Ireland, Singapore, Malaysia, Brunei (models B1G B1A)	41R3225	1
Line Cord - Taiwan (models B1V)	41R3278	1
Line Cord - Taiwan (models B1V)	41R3279	1
Line Cord - Italy (models B1S B1Y B1L B1G)	41R3232	1
Line Cord - Italy (models B1S B1Y B1L B1G)	41R3233	1
Line Cord - Indonesia, Laos, Cambodia, and Vietnam (models B1G B1A)	41R3208	1
Line Cord - Indonesia, Laos, Cambodia, and Vietnam (models B1G B1A)	41R3209	1
Line Cord - Denmark (models B1G)	41R3212	1
Line Cord - Denmark (models B1G)	41R3213	1
Line Cord - Switzerland (models B1G)	41R3228	1
Line Cord - Switzerland (models B1G)	41R3229	1
Line Cord - Israel (models B1G)	41R3236	1
Line Cord - Israel (models B1G)	41R3237	1
Line Cord - South Africa (models B1G B1A B1M)	41R3220	1
Line Cord - South Africa (models B1G B1A B1M)	41R3221	1
Line Cord - India (models B1Q)	41R3341	1
Line Cord - India (models B1Q)	41R3175	1
Line Cord - Japan (models B1J)	41R3248	1
Line Cord - Japan (models B1J)	41R3249	1
Line Cord - ANZ (models B1M)	41R3196	1
Line Cord - ANZ (models B1M)	41R3197	1
Line Cord - Hong Kong (models B1B B1H)	41R3224	1
Line Cord - Hong Kong (models B1B B1H)	41R3225	1

6178 Windows XP Home Recovery CDs	FRU#	CRU
US/UK/AP/TH (models)	TBD	1
FR/CF (models)	TBD	1
GR (models)	TBD	1
IT (models)	TBD	1
BR (models)	TBD	1
SP/LA (models)	TBD	1

6178 Windows XP Home Recovery CDs	FRU#	CRU
DK (models)	TBD	1
NL (models)	TBD	1
AE (models)	TBD	1
SV (Swedish)(models)	TBD	1
HE (models)	TBD	1
FI (models)	TBD	1
NO (models)	TBD	1
PL (models)	TBD	1
PO (models)	TBD	1
RU (models)	TBD	1
RE (models)	TBD	
HU (models)	TBD	1
CZ (models)	TBD	1
TR (models)	TBD	1
GK (models)	TBD	1
Japanese (models)	TBD	1
Simplified Chinese (models)	TBD	1
Taiwan-TC (models)	TBD	1
Hong Kong-TC (models)	TBD	1
Korean (models)	TBD	1

6178 Windows XP Pro Recovery CDs	FRU#	CRU
US/UK/AP/TH (models)	45R0756	1
FR/CF (models)	45R0759	1
GR (models)	45R0760	1
IT (models)	45R0762	1
BR (models)	45R0763	1
SP/LA (models)	45R0761	1
DK (models)	45R0764	1
NL (models)	45R0767	1
AE (models)	45R2342	1
SV (Swedish) (models)	45R0765	1
HE (models)	45R2334	1
FI (models)	45R0766	1
NO (models)	45R0770	1
PL (models)	45R0777	1
PO (models)	45R0774	1
RU (models)	45R0773	1
RE (models)	45R2318	1

6178 Windows XP Pro Recovery CDs	FRU#	CRU
HU (models)	45R0780	1
CZ (models)	45R0776	1
TR (models)	45R0775	1
GK (models)	45R0772	1
SL (models)	45R2326	1
Japanese (models)	45R0757	1
Simplified Chinese (models)	45R0758	1
Taiwan-TC (models)	45R0768	1
Hong Kong-TC (models)	45R0769	1
Korean (models)	45R0771	1
Multilingual 1 XP-Pro -- EN, NL, FR, GR, IT (models)	45R8246	1
Multilingual 2 XP-Pro -- EN, DK, FI, NO, SV (models)	45R8247	1

6178 Vista Home Basic 32 SP1 Recovery DVDs	FRU#	CRU
English (models)	46R7273	1
Japanese (models)	46R7274	1
Simplified Chinese (models)	46R7275	1
French (models)	46R7276	1
German (models)	46R7277	1
Spanish (models)	46R7278	1
Italian (models)	46R7279	1
Brazilian Portuguese (models)	46R7280	1
Danish (models)	46R7281	1
Swedish (models)	45R9758	1
Finland (models)	45R9759	1
Dutch (models)	45R9760	1
Traditional Chinese (models)	46R7282	1
Hong Kong (models)	46R7283	1
Norwegian (models)	46R7284	1
Korean (models)	45R9764	1
Slovenian (models)	45R9765	1
Greek (models)	45R9766	1
Russian (models)	46R7285	1
Portuguese (models)	45R9768	1
Turkish (models)	45R9769	1
Czech (models)	45R9770	1
Polish (models)	45R9771	1
Russian English (models)	46R7286	1
Arabic Localized (models)	45R9773	1

6178 Vista Home Basic 32 SP1 Recovery DVDs	FRU#	CRU
Hebrew (models)	45R9774	1
Hungarian (models)	45R9775	1
Slovakian (models)	45R9776	1

6178 Vista Business 32 SP1 Recovery DVDs	FRU#	CRU
English (models B1U B1M B1A B1Q B1H B1R B1E)	46R7287	1
Japanese (models B1J)	46R7288	1
Simplified Chinese (models B1C)	46R7289	1
French (models B1G)	46R7290	1
German (models B1G)	46R7291	1
Spanish (models B1G)	46R7292	1
Italian (models B1G)	46R7293	1
Brazilian Portuguese (models B1P)	46R7294	1
Danish (models B1G)	46R7295	1
Swedish (models B1G)	45R9786	1
Finland (models B1G)	45R9787	1
Dutch (models B1G)	45R9788	1
Traditional Chinese (models B1V)	46R7296	1
Hong Kong (models B1B)	46R7297	1
Norwegian (models B1G)	46R7298	1
Korean (models B1K)	45R9792	1
Slovenian (models B1G)	45R9793	1
Greek (models B1G)	45R9794	1
Russian (models B1G)	46R7299	1
Portuguese (models B1G)	45R9796	1
Turkish (models B1G)	45R9797	1
Czech (models B1G)	45R9798	1
Polish (models B1G)	45R9799	1
Russian English (models B1G)	46R7300	1
Arabic Localized (models)	45R9801	1
Hebrew (models B1G)	45R9802	1
Romanian (models B1G)	45R9803	1
Hungarian (models B1G)	45R9804	1
Slovakian (models B1G)	45R9805	1
Serbian-Latin (models)	45R9806	1

6178 Vista VHP SP1 Recovery DVDs	FRU#	CRU
English (models)	46R7315	1
Japanese (models)	46R7316	1

6178 Vista VHP SP1 Recovery DVDs	FRU#	CRU
Simplified Chinese (models)	46R7317	1
French (models)	46R7318	1
German (models)	46R7319	1
Spanish (models)	46R7320	1
Italian (models)	46R7321	1
Brazilian Portuguese (models)	46R7322	1
Danish (models)	46R7323	1
Swedish (models)	45R9844	1
Finland (models)	45R9845	1
Dutch (models)	45R9846	1
Traditional Chinese (models)	46R7324	1
Hong Kong (models)	46R7325	1
Norwegian (models)	46R7326	1
Korean (models)	45R9850	1
Slovenian (models)	45R9851	1
Greek (models)	45R9852	1
Russian (models)	46R7327	1
Portuguese (models)	45R9854	1
Turkish (models)	45R9855	1
Czech (models)	45R9856	1
Polish (models)	45R9857	1
Russian English (models)	46R7328	1
Arabic Localized (models)	45R9859	1
Hebrew (models)	45R9860	1
Romanian (models)	45R9861	1
Hungarian (models)	45R9862	1
Slovakian (models)	45R9863	1
Serbian-Latin (models)	45R9864	1

6178 Vista Business 64 SP1 Recovery DVDs	FRU#	CRU
English (models)	46R7301	1
Russian English (models)	46R7302	1
Simplified Chinese (models)	46R7303	1
French (models)	46R7304	1
German (models)	46R7305	1
Spanish (models)	46R7306	1
Italian (models)	46R7307	1
Brazilian Portuguese (models)	46R7308	1
Danish (models)	46R7309	1

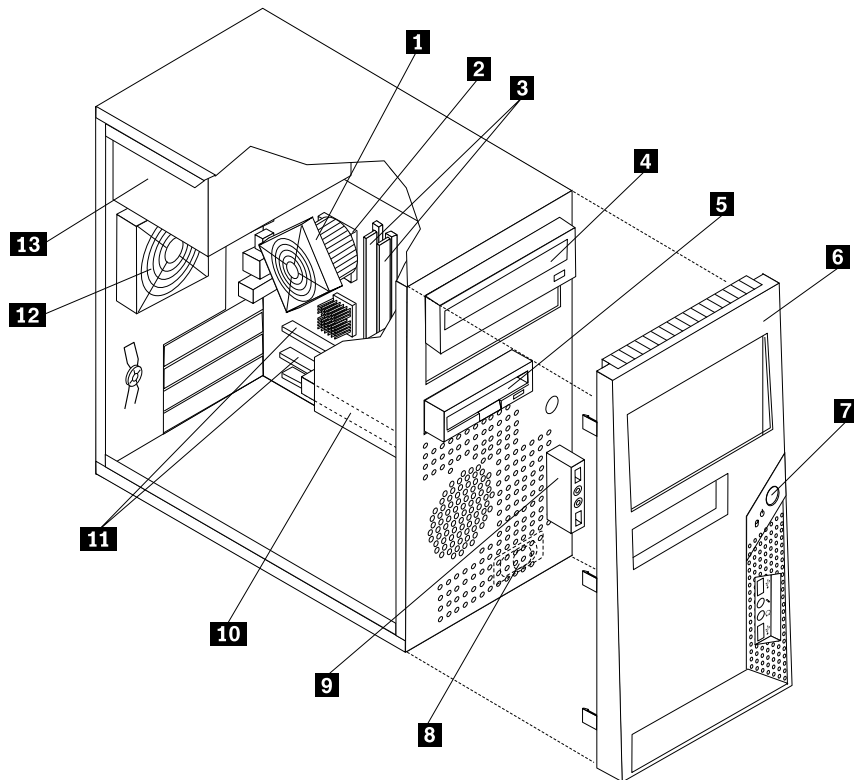
6178 Vista Business 64 SP1 Recovery DVDs	FRU#	CRU
Swedish (models)	45R9816	1
Danish (models)	45R9817	1
Dutch (models)	45R9818	1
Traditional Chinese (models)	46R7310	1
Hong Kong (models)	46R7311	1
Polish (models)	46R7312	1
Russian (models)	45R9822	1
Turkish (models)	45R9823	1
Hungarian (models)	45R9824	1
Greek (models)	45R9825	1
Russian (models)	46R7313	1
Taiwan (models)	45R9827	1
HongKong (models)	45R9828	1
Korea (models)	45R9829	1
Russian English (models)	46R7314	1
Portuguese (models)	45R9831	1
Arabic Localized (models)	45R9832	1
Hebrew (models)	45R9833	1
Slovakian (models)	45R9834	1

6178 Vista Ultimate 32 SP1 Recovery DVDs	FRU#	CRU
English (models)	46R7329	1
Japanese (models)	46R7330	1
Simplified Chinese (models)	46R7331	1
French (models)	46R7332	1
German (models)	46R7333	1
Spanish (models)	46R7334	1
Italian (models)	46R7335	1
Brazilian Portuguese (models)	46R7336	1
Danish (models)	46R7337	1
Swedish (models)	45R9874	1
Finland (models)	45R9875	1
Dutch (models)	45R9876	1
Traditional Chinese (models)	46R7338	1
Hong Kong (models)	46R7338	1
Norwegian (models)	46R7340	1
Korean (models)	45R9880	1
Slovenian (models)	45R9881	1
Greek (models)	45R9882	1

6178 Vista Ultimate 32 SP1 Recovery DVDs	FRU#	CRU
Russian (models)	46R7341	1
Portuguese (models)	45R9884	1
Turkish (models)	45R9885	1
Czech (models)	45R9886	1
Polish (models)	45R9887	1
Russian English (models)	46R5089	1
Arabic Localized (models)	45R9889	1
Hebrew (models)	45R9890	1
Hungarian (models)	45R9891	1
Slovakian (models)	45R9892	1

6178 Vista Starter 32 Recovery DVDs	FRU#	CRU
English (models)	46R5059	1

Machine Type 6179



Item #	6179 FRUs	FRU#	CRU Tier
1	System board , Intel G31 mATX GA Level (models B1U B1F B2U B2F B3U B3F B4U B4F B5U B5F B6U B6F BFU BFF BBU BBF BCU BCF BDU BDF)	53Y3282	N
2	Microprocessor, Celeron 420 CONROE-L 800/1600MHZ-512K,LGA,EM64T (models)	43C3835	N
2	Microprocessor, Celeron 430 CONROE-L 800/1800MHZ-512K,LGA,EM64T (models)	43C1964	N

Item #	6179 FRUs	FRU#	CRU Tier
2	Microprocessor, Celeron 440 CONROE-L 800/2000MHZ-512K,LGA,EM64T (models)	43C1965	N
2	Microprocessor, Pentium Dual-core E2140 CONROE-L 800/1600MHZ-1M, LGA, EM64T (models)	43C1967	N
2	Microprocessor, Pentium Dual-core E2160 CONROE-L 800/1800MHZ-1M, LGA, EM64T (models)	43C1968	N
2	Microprocessor, Core 2 Duo E4400 L2 CONROE 800/2000MHZ-2M, LGA, EM64T (models)	43C2056	N
2	Microprocessor, Core 2 Duo E6400 B2 CONROE 1066/2130MHZ-2M, LGA, EM64T L2 Value (models)	41X2496	N
2	Microprocessor, Pentium Dual-core E2200 CONROE-L 800/2200MHZ-1M, LGA, EM64T - NPI (models CTO)	45C5349	N
2	Microprocessor, Pentium Dual-core E2180 CONROE-L 800/2000MHZ-1M, LGA, EM64T - NPI (models CTO)	45C1773	N
2	Microprocessor, Pentium Dual-core E2220 CONROE-L 800/2400MHZ-1M, LGA, EM64T - NPI (models CTO)	45C1774	N
2	Microprocessor, Core 2 Duo E4600 M0 CONROE 800/2400MHZ-2M, LGA, EM64T - NPI (models CTO)	45C5282	N
2	Microprocessor, Core 2 Duo E4500 M0 CONROE 800/2200MHZ-2M, LGA, EM64T (models CTO)	43C6305	N
2	Microprocessor, Core 2 Duo E6850 G0 CONROE 1333/3000MHZ-4M, LGA, EM64T (models CTO)	43C1694	N
2	Microprocessor, Core 2 Duo E6750 G0 CONROE 1333/2660MHZ-4M, LGA, EM64T (models CTO)	43C1693	N
2	Microprocessor, Core 2 Duo E6550 G0 CONROE 1333/2330MHZ-4M, LGA, EM64T (models CTO)	43C3833	N
2	Microprocessor, Core 2 Quad G-0 Q6700 KENTSFIELD 1066/2660MHZ-8M (models CTO)	43C6309	N
2	Microprocessor, Core 2 Quad G-0 Q6600 KENTSFIELD 1066/2400MHZ-8M (models CTO)	43C1695	N
2	Microprocessor, Core 2 Duo E8500 WOLFDALÉ 1333/3160MHZ-6M (models CTO)	45C7735	N
2	Microprocessor, Core 2 Duo E8400 WOLFDALÉ 1333/3000MHZ-6M (models CTO)	45C7736	N
2	Microprocessor, Core 2 Duo E8200 WOLFDALÉ 1333/2660MHZ-6M (models CTO)	45C7738	N
2	Microprocessor, Core 2 Duo E8190 WOLFDALÉ 1333/2660MHZ-6M - NON VT/Vpro (models CTO)	45R2568	N
2	Microprocessor, Core 2 Quad Q9550 C-1 YORKFIELD 2.83GHz 1333MHZ FSB 12M L2 (models CTO)	45C7739	N
2	Microprocessor, Core 2 Quad Q9450 C-1 YORKFIELD 2.66GHz 1333MHZ FSB 12M L2 (models CTO)	45C7740	N
2	Microprocessor, Core 2 Quad Q9300 M-1 YORKFIELD 2.5GHz 1333MHZ FSB 6M L2 (models CTO)	45C7741	N
2	Microprocessor, Core 2 Duo E8300 C-0 WOLFDALÉ 2.83GHz 1333MHZ FSB 6M L2 (models CTO)	45C7737	N
2	Microprocessor, Core 2 Duo E7300 M-0 2.66GHz 1066MHz FSB 3M L2 (models CTO)	46R1622	N
2	Microprocessor, Core 2 Duo E7200 M-0 2.53GHz 1066MHz FSB 3M L2 (models CTO)	45R8337	N
2	Microprocessor, Core 2 Duo E4700 G-0 2.6GHz 800MHz FSB 2M L2 (models CTO)	45R5786	N

Item #	6179 FRUs	FRU#	CRU Tier
2	Microprocessor, Celeron Dual Core E1400 M-0 2.0GHz 800MHz FSB 512K L2 (models CTO)	45R8339	N
2	Microprocessor, Celeron Dual Core E1200 M-0 1.6GHz 800MHz FSB 512K L2, LGA, EM64T - NPI (models CTO)	45R8341	N
2	Microprocessor, Core 2 Duo E8600 E-0 WOLFDAL E 3.33GHz 1333MHZ FSB 6M L2 (models CTO)	46R8640	N
3	Memory module, 512 MB PC-5300 (667MHz) DDR2 SDRAM (models)	41X4255	2
3	Memory module, 1 GB PC-5300 (667MHz) DDR2 SDRAM (models B1U B1F B2U B2F B3U B3F B4U B4F B5U B5F B6U B6F BFU BFF BBU BBF)	41X4256	2
3	Memory module, 2 GB PC-5300 (667MHz) DDR2 SDRAM (models BCU BCF BDU BDF)	41X4257	2
3	Memory module, 512 MB PC2-6400 (800MHz) DDR2 SDRAM (models)	41X1079	2
3	Memory module, 1GB PC-6400 (800MHz) DDR2 SDRAM (models)	41X1080	2
3	Memory module, 2GB PC-6400 (800MHz) DDR2 SDRAM (models)	41X1081	2
4	DVD-ROM Drive - 16x/48x - SATA Vista & non-Vista (models B2U B2F B3U B3F B5U B5F BFU BFF BBU BBF)	41N3325	2
4	DVD-ROM Drive - DVD-ROM/CD-RW Combo Drive - 48x/32x/48x/16x - SATA Vista & non-Vista (models)	42Y9353	2
4	DVD-ROM Drive - DVD-RW/CD-RW Rambo 8 - SATA Vista & non-Vista (models B1U B1F B4U B4F B6U B6F BCU BCF BDU BDF)	43C1042	2
5	Diskette drive, 3.5" 1.44MB 2 Mode FDD with Bezel and cable (models)	40Y9107	2
5	Diskette drive, 3.5" 1.44MB 2 Mode FDD with Bezel and cable (models)	40Y9105	2
6	Bezel assembly without IBM mark (all models)	41R6243	2
7	Power switch/LED assembly (all models)	41N5284	2
8	Speaker assembly, soldered terminals (all models)	39P5023	2
9	Front audio/USB assembly (all models)	41N8054	2
10	Hard disk drive, SATA 80GB 7200RPM/3Gb/8MB (models)	40Y9034	2
10	Hard disk drive, SATA 160GB 7200RPM/3Gb/8MB (models B1U B1F B2U B2F B3U B3F B4U B4F B5U B5F B6U B6F BCU BCF BDU BDF BFU BFF BBU BBF)	40Y9035	2
10	Hard disk drive, SATA 320GB 7200rpm SATA/8MB (models)	87H4891	2
11	System board , Intel G31 mATX GA Level (models B1U B1F B2U B2F B3U B3F B4U B4F B5U B5F B6U B6F)	45C2882	N
12	Fan, 4 Pin System Fan (all models)	41R6269	2
13	Power supply, ATX 280W Power supply; Robust; for all countries except for JP (models B1U B1F B2U B2F B3U B3F B4U B4F B5U B5F B6U B6F BCU BCF BDU BDF BFU BFF BBU BBF)	41A9684	2
13	Power supply, ATX 280W 80% power supply;for all countries (models B1U B1F B2U B2F B3U B3F B4U B4F B5U B5F B6U B6F BCU BCF BDU BDF BFU BFF BBU BBF)	41A9665	2
13	Power supply, ATX 310W Power supply Robust; for all countries (models B1U B1F B2U B2F B3U B3F B4U B4F B5U B5F B6U B6F BCU BCF BDU BDF BFU BFF BBU BBF)	41A9726	2

The FRUs listed in the following tables are not illustrated.

6179 FRUs	FRU#	CRU Tier
Shield, 5.25 EMC (all models)	41N8080	2
Cable, SATA 457mm (RoHs) (all models)	43N9013	2
Cable, SATA 250mm (RoHs) (all models)	43N9012	2
Shield, diskette drive EMC (all models)	41N8078	2
Cable, Diskette drive (RoHs) (all models)	41A7182	2
Cover, left side (all models)	41N8050	2
Retainer, Card Reader (all models)	41R2913	2
Fan, front (all models)	41R4791	2
Optional HDD Bracket Asm, without 4Pin cable (all models)	41R6106	2
Intrusion Switch asm (all models)	41R6116	2
Hard disk drive tray (all models)	41R6291	2
Planer shield, Atx 946, with usb number (all models)	41R6378	N
Temperature Sense cable (460 mm) (all models)	41R2509	2
Asm Chassis Without IBM Mark (all models)	41R6408	2
Card reader retainer (models)	43N9351	2
Blank 5.25" Bezel (models)	41N8077	3
BATTERY 3V-LITHIUM (TOWER,ROCKYS,LX-607) (models B1U B1F B2U B2F B3U B3F B4U B4F B5U B5F B6U B6F BFU BFF BBU BBF BCU BCF BDU BDF)	45C1566	3
Blank 5.25" Bezel (all models)	41N8077	2
Cable Clip, FW-6D (all models)	43N9462	2
Fru,Tamdhu chassis primary HDD cage (all models)	45K6272	1
Fru,Tamdhu ruber foot(For acoustic improvement) (all models)	45K6278	2
Intel 65W/95W Heatsink Kit (Tower) (all models)	41R6429	2

Keyboard (Lenovo USB Preferred -- without hub)	FRU#	CRU Tier
US English (models)	41A5039	1
Arabic (models)	41A5040	1
Arabic/French (models)	41A5041	1
Belgian/French (models)	41A5042	1
Belgian/English (models)	41A5043	1
Brazilian Portuguese (models)	41A5044	1
Bulgarian (models)	41A5045	1
Chinese/US (models)	41A5046	1
Czech (models)	41A5047	1
Danish (models)	41A5048	1
Dutch (models)	41A5049	1
French (models)	41A5050	1
French Canadian (models)	41A5051	1

Keyboard (Lenovo USB Preferred -- without hub)	FRU#	CRU Tier
French Canadian (models)	41A5052	1
German (models)	41A5053	1
Greek (models)	41A5054	1
Greek/US (models)	41A5080	1
Hebrew (models)	41A5055	1
Hungarian (models)	41A5056	1
Iceland (models)	41A5057	1
Italian (models)	41A5058	1
Japanese (models)	41A5059	1
Korean (models)	41A5060	1
LA Spanish (models)	41A5061	1
Norwegian (models)	41A5062	1
Polish (models)	41A5063	1
Portuguese (models)	41A5064	1
Romanian (models)	41A5065	1
Russian/Cyrillic (models)	41A5066	1
Serbian/Cyrillic (models)	41A5067	1
Slovak (models)	41A5068	1
Spanish (models)	41A5069	1
Swedish/Finnish (models)	41A5070	1
Swiss (models)	41A5071	1
Thailand (models)	41A5072	1
Turkish (models)	41A5073	1
Turkish (models)	41A5074	1
UK English (models)	41A5075	1
US Euro (models)	41A5076	1
Slovenian (models)	41A5077	1

Keyboard (Lenovo USB Preferred -- without hub)	FRU#	CRU Tier
US English (models B1U B2U B3U B4U B5U B6U BCU BDU BFU BBU)	41A5289	1
Arabic (models)	41A5290	1
Arabic/French (models)	41A5291	1
Belgian/French (models)	41A5292	1
Belgian/UK (models)	41A5293	1
Brazilian Portuguese (models)	41A5294	1
Bulgarian (models)	41A5295	1
Chinese/US (models)	41A5296	1
Czech (models)	41A5297	1

Keyboard (Lenovo USB Preferred -- without hub)	FRU#	CRU Tier
Danish (models)	41A5298	1
Dutch (models)	41A5299	1
French (models)	41A5300	1
French Canadian (models B1F B2F B3F B4F B5F B6F BCF BDF BFF BBF)	41A5301	1
French Canadian (models B1F B2F B3F B4F B5F B6F BCF BDF BFF BBF)	41A5302	1
German (models)	41A5303	1
Greek (models)	41A5304	1
Greek/US (models)	41A5305	1
Hebrew (models)	41A5306	1
Hungarian (models)	41A5307	1
Iceland (models)	41A5308	1
Italian (models)	41A5309	1
Japanese (models)	41A5310	1
Korean (models)	41A5311	1
LA Spanish (models)	41A5312	1
Norwegian (models)	41A5313	1
Polish (models)	41A5314	1
Portuguese (models)	41A5315	1
Romanian (models)	41A5317	1
Russian/Cyrillic (models)	41A5318	1
Serbian/Cyrillic (models)	41A5319	1
Slovak (models)	41A5320	1
Spanish (models)	41A5321	1
Swedish/Finnish (models)	41A5322	1
Swiss (models)	41A5323	1
Thailand (models)	41A5324	1
Turkish (models)	41A5325	1
Turkish (models)	41A5326	1
UK English (models)	41A5327	1
US Euro (models)	41A5328	1
Slovenian (models)	41A5329	1

Keyboard (Lenovo Enhanced Perf, USB Preferred -- with hub)	FRU#	CRU Tier
US English (models)	41A4961	1
Arabic (models)	41A4962	1
Arabic/French (models)	41A4963	1
Belgian French (models)	41A4964	1
Belgium English (models)	41A4965	1

Keyboard (Lenovo Enhanced Perf, USB Preferred -- with hub)	FRU#	CRU Tier
Brazilian Portuguese (models)	41A4966	1
Bulgarian (models)	41A4967	1
Chinese/US (models)	41A4968	1
Czech (ABB) (models)	41A4969	1
Danish (models)	41A4970	1
Dutch (models)	41A4971	1
French (models)	41A4972	1
French Canadian (models)	41A4973	1
French Canadian (models)	41A4974	1
German (models)	41A4975	1
Greek (models)	41A4976	1
Greek/US (models)	41A5078	1
Hebrew (models)	41A4977	1
Hungarian (models)	41A4978	1
Iceland (models)	41A4979	1
Italian (models)	41A4980	1
Japanese (models)	41A4981	1
Korean (models)	41A4982	1
LA Spanish (models)	41A4983	1
Norwegian (models)	41A4984	1
Polish (models)	41A4985	1
Portuguese (models)	41A4986	1
Romanian (models)	41A4987	1
Russian/Cyrilic (models)	41A4988	1
Serbian/Cyrilic (models)	41A4989	1
Slovak (models)	41A4990	1
Spanish (models)	41A4991	1
Swedish/Finnish (models)	41A4992	1
Swiss French/German (models)	41A4993	1
Thailand (models)	41A4994	1
Turkish (models)	41A4995	1
Turkish (models)	41A4996	1
UK English (models)	41A4997	1
US Euro (models)	41A4998	1
Slovenian (models)	41A4999	1

Keyboard (Lenovo Fingerprint Reader USB)	FRU#	CRU Tier
US English (models)	41A5248	1
Arabic (models)	41A5249	1
Arabic/French (models)	41A5250	1
Belgian French (models)	41A5251	1
Belgium English (models)	41A5252	1
Brazilian Portuguese (models)	41A5253	1
Bulgarian (models)	41A5254	1
Chinese/US (models)	41A5255	1
Czech (ABB) (models)	41A5256	1
Danish (models)	41A5257	1
Dutch (models)	41A5258	1
French (models)	41A5259	1
French Canadian (models)	41A5260	1
French Canadian (models)	41A5261	1
German (models)	41A5262	1
Greek (models)	41A5263	1
Greek/US (models)	41A5264	1
Hebrew (models)	41A5265	1
Hungarian (models)	41A5266	1
Iceland (models)	41A5267	1
Italian (models)	41A5268	1
Japanese (models)	41A5269	1
Korean (models)	41A5270	1
LA Spanish (models)	41A5271	1
Norwegian (models)	41A5272	1
Polish (models)	41A5273	1
Portuguese (models)	41A5274	1
Romanian (models)	41A5276	1
Russian/Cyrilic (models)	41A5277	1
Serbian/Cyrilic (models)	41A5278	1
Slovak (models)	41A5279	1
Spanish (models)	41A5280	1
Swedish/Finnish (models)	41A5281	1
Swiss French/German (models)	41A5282	1
Thailand (models)	41A5283	1
Turkish (models)	41A5284	1
Turkish (models)	41A5285	1
UK English (models)	41A5286	1

Keyboard (Lenovo Fingerprint Reader USB)	FRU#	CRU Tier
US Euro (models)	41A5287	1
Slovenian (models)	41A5288	1

6179 mice	FRU#	CRU Tier
Optical Wheel Mouse (400DPI, USB) (models B1U B1F B2U B2F B3U B3F B4U B4F B5U B6U B5F B6F BCU BCF BDU BDF BFU BFF BBU BBF)	41U3013	1
Optical Wheel Mouse (400DPI, USB) (models B1U B1F B2U B2F B3U B3F B4U B4F B5U B6U B5F B6F BCU BCF BDU BDF BFU BFF BBU BBF)	41U3030	1
PS/2 Three Button ball mouse (41R0017) (models)	41R0018	1

6179 Adapters and miscellaneous FRUs	FRU#	CRU
Internal USB Memory Card Reader floppy bay (models)	41R3378	2
Internal USB 20 in 1 Memory CardReader floppy bay (models)	45R8139	2
USB Memory Key (models)	43R2296	2
Internal USB Memory Card Reader floppy bay (models)	41R3376	2
Soft Modem V.90/V.44 ATX (models CTO)	46R4220	2
ATI HD 2600XT 512MB 128BIT ATX (models)	43C0261	2
IEEE 1394 Firewire Adapter SFF (models)	41D2781	2
Internal USB Memory Card Reader Slim (models)	43C9207	1
USB Memory Key - 1G RoW (models)	41U4978	1
ADD2 DVI Adapter,FH (HDCP) (models)	43C0258	2
ATI HD 2400PRO 128MB 64BIT DMS59 LP (models)	43C0259	2
ATI HD 2400PRO 128MB 64BIT DMS59 ATX (models)	43C0259	2
ATI HD 2400XT 256MB 64BIT DMS59 ATX (models)	43C0260	2
DVI-I connection Adapter Full Height (models)	39J9334	2
DVI-I connection Adapter Low Profile (models)	39J9334	2
Speaker Power brick - US, Canada, LA low voltage, ASEAN (models B1U B2U B3U B4U B5U B6U BCU BDU BFU BBU)	89P8571	1
Speaker Power brick - LA high voltage (non-APU) (models)	89P8575	1
Speaker Power brick - China, Thailand (models)	89P8581	1
Speaker Power brick - Japan (models)	89P8577	1
Speaker Power brick - Brazil (models)	89P8583	1
Speaker Power brick - Argentina (models)	41A4901	1
Speaker Power brick - ANZ (modes)	89P8579	1
Speaker Brick - Korea (models)	41A4903	1
Speaker Brick - Hong Kong, EMEA (models)	89P8573	1
Speaker Brick - Taiwan (models)	41A4905	1
Speaker Power brick - India, South Africa (models)	89P8585	1

6179 Adapters and miscellaneous FRUs	FRU#	CRU
Dongle DMS Dule DMS-59 to dual VGA Cable (models)	42Y8181	2
Dongle DMS Dule DMS-59 to dual DVI Cable (models)	41X6398	2

6179 Line Cords	FRU#	CRU
Line cord - US (models B1U B2U B3U B4U B1F B2F B3F B4F B5U B6U B5F B6F BCU BCF BDU BDF BFU BFF BBU BBF)	41R3184	1
Line cord - US (models B1U B2U B3U B4U B1F B2F B3F B4F B5U B6U B5F B6F BCU BCF BDU BDF BFU BFF BBU BBF)	41R3185	1
Line cord - China (models)	41R3256	1
Line cord - China (models)	41R3257	1
Line cord - Brazil (models)	41R3270	1
Line cord - Brazil (models)	41R3271	1
Line cord - LA High Volt APU (models)	41R3176	1
Line Cord - LA High Volt APU (models)	41R3177	1
Line Cord - Korea (models)	41R3260	1
Line Cord - Korea (models)	41R3261	1
Line Cord - UK, Ireland, Singapore, Malaysia, Brunei (models)	41R3224	1
Line Cord - UK, Ireland, Singapore, Malaysia, Brunei (models)	41R3225	1
Line Cord - Taiwan (models)	41R3278	1
Line Cord - Taiwan (models)	41R3279	1
Line Cord - Italy (models)	41R3232	1
Line Cord - Italy (models)	41R3233	1
Line Cord - Indonesia, Laos, Cambodia, and Vietnam (models)	41R3208	1
Line Cord - Indonesia, Laos, Cambodia, and Vietnam (models)	41R3209	1
Line Cord - Denmark (models)	41R3212	1
Line Cord - Denmark (models)	41R3213	1
Line Cord - Switzerland (models)	41R3228	1
Line Cord - Switzerland (models)	41R3229	1
Line Cord - Israel (models)	41R3236	1
Line Cord - Israel (models)	41R3237	1
Line Cord - South Africa (models)	41R3220	1
Line Cord - South Africa (models)	41R3221	1
Line Cord - India (models)	41R3341	1
Line Cord - India (models)	41R3175	1
Line Cord - Japan (models)	41R3248	1
Line Cord - Japan (models)	41R3249	1
Line Cord - ANZ (models)	41R3196	1
Line Cord - ANZ (models)	41R3197	1
Line Cord - Hong Kong (models)	41R3224	1
Line Cord - Hong Kong (models)	41R3225	1

6179 Windows XP Home Recovery CDs	FRU#	CRU
US/UK/AP/TH (models)	TBD	1
FR/CF (models)	TBD	1
GR (models)	TBD	1
IT (models)	TBD	1
BR (models)	TBD	1
SP/LA (models)	TBD	1
DK (models)	TBD	1
NL (models)	TBD	1
AE (models)	TBD	1
SV (models)	TBD	1
HE (models)	TBD	1
FI (models)	TBD	1
NO (models)	TBD	1
PL (models)	TBD	1
PO (models)	TBD	1
RU (models)	TBD	1
RE (models)	TBD	1
HU (models)	TBD	1
CZ (models)	TBD	1
TR (models)	TBD	1
GK (models)	TBD	1
Japanese (models)	TBD	1
Simplified Chinese (models)	TBD	1
Taiwan-TC (models)	TBD	1
Hong Kong-TC (models)	TBD	1
Korean (models)	TBD	1

6179 Windows XP Pro Recovery CDs	FRU#	CRU
US/UK/AP/TH (models B5U B6U BCU BDU BFU BBU)	45R0756	1
FR/CF (models B5F B6F BCF BDF BFF BBF)	45R0759	1
GR (models)	45R0760	1
IT (models)	45R0762	1
BR (models)	45R0763	1
SP/LA (models)	45R0761	1
DK (models)	45R0764	1
NL (models)	45R0767	1
AE (models)	45R2342	1
SV (Swedish) (models)	45R0765	1
HE (models)	45R2334	1

6179 Windows XP Pro Recovery CDs	FRU#	CRU
FI (models)	45R0766	1
NO (models)	45R0770	1
PL (models)	45R0777	1
PO (models)	45R0774	1
RU (models)	45R0773	1
RE (models)	45R2318	1
HU (models)	45R0780	1
CZ (models)	45R0776	1
TR (models)	45R0775	1
GK (models)	45R0772	1
SL (models)	45R2326	1
Japanese (models)	45R0757	1
Simplified Chinese (models)	45R0758	1
Taiwan-TC (models)	45R0768	1
Hong Kong-TC (models)	45R0769	1
Korean (models)	45R0771	1
Multilingual 1 XP-Pro -- EN, NL, FR, GR, IT (models)	45R8246	1
Multilingual 2 XP-Pro -- EN, DK, FI, NO, SV (models)	45R8247	1

6179 Vista Home Basic 32 SP1 Recovery DVDs	FRU#	CRU
English (models)	46R7273	1
Japanese (models)	46R7274	1
Simplified Chinese (models)	46R7275	1
French (models)	46R7276	1
German (models)	46R7277	1
Spanish (models)	46R7278	1
Italian (models)	46R7279	1
Brazilian Portuguese (models)	46R7280	1
Danish (models)	46R7281	1
Swedish (models)	45R9758	1
Finland (models)	45R9759	1
Dutch (models)	45R9760	1
Traditional Chinese (models)	46R7282	1
Hong Kong (models)	46R7283	1
Norwegian (models)	46R7284	1
Korean (models)	45R9764	1
Slovenian (models)	45R9765	1
Greek (models)	45R9766	1
Russian (models)	46R7285	1

6179 Vista Home Basic 32 SP1 Recovery DVDs	FRU#	CRU
Portuguese (models)	45R9768	1
Turkish (models)	45R9769	1
Czech (models)	45R9770	1
Polish (models)	45R9771	1
Russian English (models)	46R7286	1
Arabic Localized (models)	45R9773	1
Hebrew (models)	45R9774	1
Hungarian (models)	45R9775	1
Slovakian (models)	45R9776	1

6179 Vista Business 32 SP1 Recovery DVDs	FRU#	CRU
English (models B1U B2U B3U B4U B5U B6U BCU BDU BFU BBU)	46R7287	1
Japanese (models)	46R7288	1
Simplified Chinese (models)	46R7289	1
French (models B1F B2F B3F B4F B5F B6F BCF BDF BFF BBF)	46R7290	1
German (models)	46R7291	1
Spanish (models)	46R7292	1
Italian (models)	46R7293	1
Brazilian Portuguese (models)	46R7294	1
Danish (models)	46R7295	1
Swedish (models)	45R9786	1
Finland (models)	45R9787	1
Dutch (models)	45R9788	1
Traditional Chinese (models)	46R7296	1
Hong Kong (models)	46R7297	1
Norwegian (models)	46R7298	1
Korean (models)	45R9792	1
Slovenian (models)	45R9793	1
Greek (models)	45R9794	1
Russian (models)	46R7299	1
Portuguese (models)	45R9796	1
Turkish (models)	45R9797	1
Czech (models)	45R9798	1
Polish (models)	45R9799	1
Russian English (models)	46R7300	1
Arabic Localized (models)	45R9801	1
Hebrew (models)	45R9802	1
Romanian (models)	45R9803	1
Hungarian (models)	45R9804	1

6179 Vista Business 32 SP1 Recovery DVDs	FRU#	CRU
Slovakian (models)	45R9805	1
Serbian-Latin (models)	45R9806	1

6179 Vista VHP SP1 Recovery DVDs	FRU#	CRU
English (models)	46R7315	1
Japanese (models)	46R7316	1
Simplified Chinese (models)	46R7317	1
French (models)	46R7318	1
German (models)	46R7319	1
Spanish (models)	46R7320	1
Italian (models)	46R7321	1
Brazilian Portuguese (models)	46R7322	1
Danish (models)	46R7323	1
Swedish (models)	45R9844	1
Finland (models)	45R9845	1
Dutch (models)	45R9846	1
Traditional Chinese (models)	45R9847	1
Hong Kong (models)	45R9848	1
Norwegian (models)	45R9849	1
Korean (models)	45R9850	1
Slovenian (models)	45R9851	1
Greek (models)	45R9852	1
Russian (models)	46R7327	1
Portuguese (models)	45R9854	1
Turkish (models)	45R9855	1
Czech (models)	45R9856	1
Polish (models)	45R9857	1
Russian English (models)	46R7328	1
Arabic Localized (models)	45R9859	1
Hebrew (models)	45R9860	1
Romanian (models)	45R9861	1
Hungarian (models)	45R9862	1
Slovakian (models)	45R9863	1
Serbian-Latin (models)	45R9864	1

6179 Vista Business 64 SP1 Recovery DVDs	FRU#	CRU
English (models)	46R7301	1
Japanese (models)	46R7302	1
Simplified Chinese (models)	46R7303	1

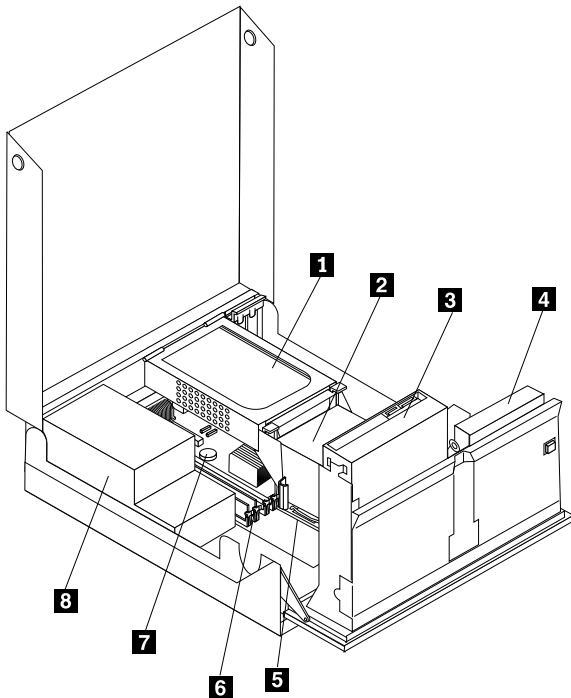
6179 Vista Business 64 SP1 Recovery DVDs	FRU#	CRU
French (models)	46R7304	1
German (models)	46R7305	1
Spanish (models)	46R7306	1
Italian (models)	46R7307	1
Brazilian Portuguese (models)	46R7308	1
Danish (models)	46R7309	1
Swedish (models)	45R9816	1
Danish (models)	45R9817	1
Dutch (models)	45R9818	1
Traditional Chinese (models)	46R7310	1
Hong Kong (models)	46R7311	1
Polish (models)	46R7312	1
Norwegian (models)	45R9822	1
Turkish (models)	45R9823	1
Hungarian (models)	45R9824	1
Greek (models)	45R9825	1
Russian (models)	46R7313	1
Taiwan (models)	45R9827	1
HongKong (models)	45R9828	1
Korea (models)	45R9829	1
Russian English (models)	46R7314	1
Portuguese (models)	45R9831	1
Arabic Localized (models)	45R9832	1
Hebrew (models)	45R9833	1
Slovakian (models)	45R9834	1

6179 Vista Ultimate 32 SP1 Recovery DVDs	FRU#	CRU
English (models)	46R7329	1
Japanese (models)	46R7330	1
Simplified Chinese (models)	46R7331	1
French (models)	46R7332	1
German (models)	46R7333	1
Spanish (models)	46R7334	1
Italian (models)	46R7335	1
Brazilian Portuguese (models)	46R7336	1
Danish (models)	46R7337	1
Swedish (models)	45R9874	1
Finland (models)	45R9875	1
Dutch (models)	45R9876	1

6179 Vista Ultimate 32 SP1 Recovery DVDs	FRU#	CRU
Traditional Chinese (models)	46R7338	1
Hong Kong (models)	46R7339	1
Norwegian (models)	46R7340	1
Korean (models)	45R9880	1
Slovenian (models)	45R9881	1
Greek (models)	45R9882	1
Russian (models)	46R7341	1
Portuguese (models)	45R9884	1
Turkish (models)	45R9885	1
Czech (models)	45R9886	1
Polish (models)	45R9887	1
Russian English (models)	46R5089	1
Arabic Localized (models)	46R7342	1
Hebrew (models)	45R9890	1
Hungarian (models)	45R9891	1
Slovakian (models)	45R9892	1

6179 Vista Starter 32 Recovery DVDs	FRU#	CRU
English (models)	46R5059	1

Machine Type 6305



Item #	6305 FRUs	FRU#	CRU
1	Hard disk drive,SATA 80GB 7200RPM/3Gb/8MB (models)	40Y9034	2
1	Hard disk drive,SATA 160GB 7200RPM/3Gb/8MB (models B1U B1F B2U B2F B3U B3F B4U B4F B5U B5F B6U B6F B7U B7F B8U B8F B9U B9F BDU BDF BEU BEF BBU BBF BCU BCF)	40Y9035	2
1	Hard disk drive,SATA 320GB 7200rpm SATA/8MB (models)	87H4891	2
2	Thermal kit (all models)	41R6039	2
3	Optical drive,DVD-ROM Drive - 16x/48x - SATA Vista & non-Vista (models B1U B1F B4U B4F B7U B7F BEU BEF BBU BBF)	41N3325	2
3	Optical drive,DVD-ROM/CD-RW Combo Drive - 48x/32x/48x/16x - SATA Vista & non-Vista (models)	42Y9353	2
3	Optical drive,DVD-RW/CD-RW Rambo 8 - SATA Vista & non-Vista (models B2U B2F B3U B3F B5U B5F B6U B6F B8U B8F B9U B9F BDU BDF BCU BCF)	43C1042	2
5	Microprocessor, Celeron 420 CONROE-L 800/1600MHZ-512K,LGA,EM64T(models)	43C3835	N
5	Microprocessor, Celeron 430 CONROE-L 800/1800MHZ-512K,LGA,EM64T(models)	43C1964	N
5	Microprocessor, Celeron 440 CONROE-L 800/2000MHZ-512K,LGA,EM64T(models)	43C1965	N
5	Microprocessor, Pentium Dual-core E2140 CONROE-L 800/1600MHZ-1M, LGA, EM64T (models)	43C1967	N
5	Microprocessor, Pentium Dual-core E2160 CONROE-L 800/1800MHZ-1M, LGA, EM64T (models)	43C1968	N
5	Microprocessor, Core 2 Duo E4400 L2 CONROE 800/2000MHZ-2M, LGA, EM64T(models)	43C2056	N
5	Microprocessor,Core 2 Duo E6400 B2 CONROE 1066/2130MHZ-2M, LGA, EM64T L2 Value (models)	41X2496	N
5	Microprocessor, Pentium Dual-core E2200 CONROE-L 800/2200MHZ-1M, LGA, EM64T - NPI (models CTO)	45C5349	N
5	Microprocessor, Pentium Dual-core E2180 CONROE-L 800/2000MHZ-1M, LGA, EM64T - NPI (models CTO)	45C1773	N
5	Microprocessor, Pentium Dual-core E2220 CONROE-L 800/2400MHZ-1M, LGA, EM64T - NPI (models CTO)	45C1774	N
5	Microprocessor, Core 2 Duo E4600 M0 CONROE 800/2400MHZ-2M, LGA, EM64T - NPI (models CTO)	45C5282	N
5	Microprocessor, Core 2 Duo E4500 M0 CONROE 800/2200MHZ-2M, LGA, EM64T (models CTO)	43C6305	N
5	Microprocessor, Core 2 Duo E6850 G0 CONROE 1333/3000MHZ-4M, LGA, EM64T (models CTO)	43C1694	N
5	Microprocessor, Core 2 Duo E6750 G0 CONROE 1333/2660MHZ-4M, LGA, EM64T (models CTO)	43C1693	N
5	Microprocessor, Core 2 Duo E6550 G0 CONROE 1333/2330MHZ-4M, LGA, EM64T (models CTO)	43C3833	N
5	Microprocessor, Core 2 Quad G-0 Q6700 KENTSFIELD 1066/2660MHZ-8M (models CTO)	43C6309	N
5	Microprocessor, Core 2 Quad G-0 Q6600 KENTSFIELD 1066/2400MHZ-8M (models CTO)	43C1695	N
5	Microprocessor, Core 2 Duo E8500 WOLFDAL E 1333/3160MHZ-6M (models CTO)	45C7735	N
5	Microprocessor, Core 2 Duo E8400 WOLFDAL E 1333/3000MHZ-6M (models CTO)	45C7736	N

Item #	6305 FRUs	FRU#	CRU
5	Microprocessor, Core 2 Duo E8200 WOLFDAL E 1333/2660MHZ-6M (models CTO)	45C7738	N
5	Microprocessor, Core 2 Duo E8190 WOLFDAL E 1333/2660MHZ-6M - NON VT/Vpro (models CTO)	45R2568	N
5	Microprocessor, Core 2 Quad Q9550 C-1 YORKFIELD 2.83GHz 1333MHZ FSB 12M L2 (models CTO)	45C7739	N
5	Microprocessor, Core 2 Quad Q9450 C-1 YORKFIELD 2.66GHz 1333MHZ FSB 12M L2 (models CTO)	45C7740	N
5	Microprocessor, Core 2 Quad Q9300 M-1 YORKFIELD 2.5GHz 1333MHZ FSB 6M L2 (models CTO)	45C7741	N
5	Microprocessor, Core 2 Duo E8300 C-0 WOLFDAL E 2.83GHz 1333MHZ FSB 6M L2 (models CTO)	45C7737	N
5	Microprocessor, Core 2 Duo E7300 M-0 2.66GHz 1066MHz FSB 3M L2 (models CTO)	46R1622	N
5	Microprocessor, Core 2 Duo E7200 M-0 2.53GHz 1066MHz FSB 3M L2 (models CTO)	45R8337	N
5	Microprocessor, Core 2 Duo E4700 G-0 2.6GHz 800MHz FSB 2M L2 (models CTO)	45R5786	N
5	Microprocessor, Celeron Dual Core E1400 M-0 2.0GHz 800MHz FSB 512K L2 (models CTO)	45R8339	N
5	Microprocessor, Celeron Dual Core E1200 M-0 1.6GHz 800MHz FSB 512K L2, LGA, EM64T - NPI (models CTO)	45R8341	N
5	Microprocessor, Core 2 Duo E8600 E-0 WOLFDAL E 3.33GHz 1333MHZ FSB 6M L2 (models CTO)	46R8640	N
5	Microprocessor, Pentium Dual Core E5200 M-0 WOLFDAL E 2.5GHz 800MHZ FSB 2M L2 (models CTO)	46R9512	N
6	Memory module,512 MB PC-5300 (667MHz) DDR2 SDRAM (models)	41X4255	2
6	Memory module,1 GB PC-5300 (667MHz) DDR2 SDRAM (models B1U B1F B2U B2F B3U B3F B4U B4F B5U B5F B6U B6F B7U B7F B8U B8F B9U B9F BEU BEF BBU BBF)	41X4256	2
6	Memory module,2 GB PC-5300 (667MHz) DDR2 SDRAM (models BDU BDF BCU BCF)	41X4257	2
6	Memory module,512 MB PC2-6400 (800MHz) DDR2 SDRAM (models)	41X1079	2
6	Memory module,1GB PC-6400 (800MHz) DDR2 SDRAM (models)	41X1080	2
6	Memory module,2GB PC-6400 (800MHz) DDR2 SDRAM (models)	41X1081	2
7	System board, Intel G31 nano-BTX GA Level (models B1U B1F B2U B2F B3U B3F B4U B4F B5U B5F B6U B6F B7U B7F B8U B8F B9U B9F BDU BDF BEU BEF BBU BBF BCU BCF)	53Y5125	N
8	Power supply,280W Active PFC power supply for 10L---all countries (models B1U B1F B2U B2F B3U B3F B4U B4F B5U B5F B6U B6F B7U B7F B8U B8F B9U B9F BDU BDF BEU BEF BBU BBF BCU BCF)	41A9701	2
8	Power supply,280W 80+ power supply for 10L---all countries (models B1U B1F B2U B2F B3U B3F B4U B4F B5U B5F B6U B6F B7U B7F B8U B8F B9U B9F BDU BDF BEU BEF BBU BBF BCU BCF)	41A9717	2

The FRUs listed in the following tables are not illustrated.

6305 FRUs	FRU#	CRU
Power switch/LED cable assembly (all models)	41R3391	2
USB cable assembly (all models)	41R3392	2

6305 FRUs	FRU#	CRU
SATA cable, 120mm (all models)	41R3328	2
SATA cable, 700mm (all models)	39K5026	2
Speaker/Cable assembly (all models)	39K5012	2
Temperature Sense cable (460 mm) (all models)	41R2509	2
System Fan (all models)	41R6042	2
System Fan assembly (all models)	41R6249	2
Cpu Support Module (all models)	41R6252	N
HDD Tray assembly (all models)	41R6253	2
Internal Plastic (all models)	41R6254	2
Bezel, Plastic (all models)	41R6255	2
Front rotating cage assembly (all models)	41R6256	N
Top cover assembly (all models)	41R6257	2
L1-C2 intrusion switch (all models)	39K5022	2
Fan for SFF (all models)	41R6042	2
ReI IO shield BTX atlantic (all models)	41R6381	N
Temperature Sense cable (460 mm) (all models)	41R2509	2
C2 Intrusion Switch (all models)	39K5022	2
Intel 95W/65W heatsink Kit (all models)	41R6039	2
Chassis atlantic (all models)	41R6275	N
10L FRONT I/O CABLE (models)	43N9015	2
Cabel-SATA 700mm (RoHS) (all models)	43N9011	2
Universal Adapter Bracket 5.25 to 3.5 (all models)	43N9361	2
ODD mounting kit (all models)	43N9362	2
Cardreader Bezel Kit (all models)	43N9363	2
BATTERY 3V-LITHIUM (TOWER,ROCKYS,LX-607) (models B1U B1F B2U B2F B3U B3F B4U B4F B5U B5F B6U B6F B7U B7F B8U B8F B9U B9F BDU BDF BEU BEF BBU BBF BCU BCF)	45C1566	N
FDD Retainer, 607AT, SFF (LX-607) (all models)	43N9681	2
Vertical Stand, Tampa/607CT (all models)	43N9644	N
HDD bracket ASM (all models)	43N9690	2
Fru,Tamdhu chassis primary HDD cage (all models)	45K6272	1
Fru,Tamdhu ruber foot(For acoustic improvement) (all models)	45K6278	2
HDD bracket with cover b, for Toyota, Flex (all models)	43N9691	2

6305 Keyboard (Lenovo USB Preferred -- without hub)	FRU#	CRU Tier
US English (models)	41A5039	1
Arabic (models)	41A5040	1
Arabic/French (models)	41A5041	1
Belgian/French (models)	41A5042	1
Belgian/English (models)	41A5043	1

6305 Keyboard (Lenovo USB Preferred -- without hub)	FRU#	CRU Tier
Brazilian Portuguese (models)	41A5044	1
Bulgarian (models)	41A5045	1
Chinese/US (models)	41A5046	1
Czech (models)	41A5047	1
Danish (models)	41A5048	1
Dutch (models)	41A5049	1
French (models)	41A5050	1
French Canadian (models)	41A5051	1
French Canadian (models)	41A5052	1
German (models)	41A5053	1
Greek (models)	41A5054	1
Greek/US (models)	41A5080	1
Hebrew (models)	41A5055	1
Hungarian (models)	41A5056	1
Iceland (models)	41A5057	1
Italian (models)	41A5058	1
Japanese (models)	41A5059	1
Korean (models)	41A5060	1
LA Spanish (models)	41A5061	1
Norwegian (models)	41A5062	1
Polish (models)	41A5063	1
Portuguese (models)	41A5064	1
Romanian (models)	41A5065	1
Russian/Cyrillic (models)	41A5066	1
Serbian/Cyrillic (models)	41A5067	1
Slovak (models)	41A5068	1
Spanish (models)	41A5069	1
Swedish/Finnish (models)	41A5070	1
Swiss (models)	41A5071	1
Thailand (models)	41A5072	1
Turkish (models)	41A5073	1
Turkish (models)	41A5074	1
UK English (models)	41A5075	1
US Euro (models)	41A5076	1
Slovenian (models)	41A5077	1

6305 Keyboard (Lenovo USB Preferred -- without hub)	FRU#	CRU Tier
US English (models B1U B2U B3U B4U B5U B6U B7U B8U B9U BDU BEU BBU BCU)	41A5289	1
Arabic (models)	41A5290	1
Arabic/French (models)	41A5291	1
Belgian French (models)	41A5292	1
Belgium English (models)	41A5293	1
Brazilian Portuguese (models)	41A5294	1
Bulgarian (models)	41A5295	1
Chinese/US (models)	41A5296	1
Czech (ABB) (models)	41A5297	1
Danish (models)	41A5298	1
Dutch (models)	41A5299	1
French (models)	41A5300	1
French Canadian (models B1F B2F B3F B4F B5F B6F B7F B8F B9F BDF BEF BBF BCF)	41A5301	1
French Canadian (models B1F B2F B3F B4F B5F B6F B7F B8F B9F BDF BEF BBF BCF)	41A5302	1
German (models)	41A5303	1
Greek (models)	41A5304	1
Greek/US (models)	41A5305	1
Hebrew (models)	41A5306	1
Hungarian (models)	41A5307	1
Iceland (models)	41A5308	1
Japanese (models)	41A5310	1
Korean (models)	41A5311	1
LA Spanish (models)	41A5312	1
Italian (models)	41A5309	1
Norwegian (models)	41A5313	1
Polish (models)	41A5314	1
Portuguese (models)	41A5315	1
Romanian (models)	41A5317	1
Russian/Cyrillic (models)	41A5318	1
Serbian/Cyrillic (models)	41A5319	1
Slovak (models)	41A5320	1
Spanish (models)	41A5321	1
Swedish/Finnish (models)	41A5322	1
Swiss French/German (models)	41A5323	1
Thailand (models)	41A5324	1
Turkish (models)	41A5325	1
Turkish (models)	41A5326	1
UK English (models)	41A5327	1

6305 Keyboard (Lenovo USB Preferred -- without hub)	FRU#	CRU Tier
US Euro (models)	41A5328	1
Slovenian (models)	41A5329	1

6305 Keyboard (Lenovo Enhanced Perf, USB Preferred -- with hub)	FRU#	CRU Tier
US English (models)	41A4961	1
Arabic (models)	41A4962	1
Arabic/French (models)	41A4963	1
Belgian/French (models)	41A4964	1
Belgium English (models)	41A4965	1
Brazilian Portuguese (models)	41A4966	1
Bulgarian (models)	41A4967	1
Chinese/US (models)	41A4968	1
Czech (ABB) (models)	41A4969	1
Danish (models)	41A4970	1
Dutch (models)	41A4971	1
French (models)	41A4972	1
French Canadian (models)	41A4973	1
French Canadian (models)	41A4974	1
German (models)	41A4975	1
Greek (models)	41A4976	1
Greek/US (models)	41A5078	1
Hebrew (models)	41A4977	1
Hungarian (models)	41A4978	1
Iceland (models)	41A4979	1
Italy (models)	41A4980	1
Japanese (models)	41A4981	1
Korean (models)	41A4982	1
LA Spanish (models)	41A4983	1
Norwegian (models)	41A4984	1
Polish (models)	41A4985	1
Portuguese (models)	41A4986	1
Romanian (models)	41A4987	1
Russian/Cyrillic (models)	41A4988	1
Serbian/Cyrillic (models)	41A4989	1
Slovak (models)	41A4990	1
Spanish (models)	41A4991	1
Swedish/Finnish (models)	41A4992	1
Swiss French/German (models)	41A4993	1

6305 Keyboard (Lenovo Enhanced Perf, USB Preferred -- with hub)	FRU#	CRU Tier
Thailand (models)	41A4994	1
Turkish (models)	41A4995	1
Turkish (models)	41A4996	1
UK English (models)	41A4997	1
US Euro (models)	41A4998	1
Slovenian (models)	41A4999	1

6305 Keyboard (Lenovo Fingerprint Reader USB)	FRU#	CRU Tier
US English (models)	41A5248	1
Arabic (models)	41A5249	1
Arabic/French (models)	41A5250	1
Belgian French (models)	41A5251	1
Belgium English (models)	41A5252	1
Brazilian Portuguese (models)	41A5253	1
Bulgarian (models)	41A5254	1
Chinese/US (models)	41A5255	1
Czech (ABB) (models)	41A5256	1
Danish (models)	41A5257	1
Dutch (models)	41A5258	1
French (models)	41A5259	1
French Canadian (models)	41A5260	1
French Canadian (models)	41A5261	1
German (models)	41A5262	1
Greek (models)	41A5263	1
Greek/US (models)	41A5264	1
Hebrew (models)	41A5265	1
Hungarian (models)	41A5266	1
Iceland (models)	41A5267	1
Italy (models)	41A5268	1
Japanese (models)	41A5269	1
Korean (models)	41A5270	1
LA Spanish (models)	41A5271	1
Norwegian (models)	41A5272	1
Polish (models)	41A5273	1
Portuguese (models)	41A5274	1
Romanian (models)	41A5276	1
Russian/Cyrillic (models)	41A5277	1
Serbian/Cyrillic (models)	41A5278	1

6305 Keyboard (Lenovo Fingerprint Reader USB)	FRU#	CRU Tier
Slovak (models)	41A5279	1
Spanish (models)	41A5280	1
Swedish/Finnish (models)	41A5281	1
Swiss French/German (models)	41A5282	1
Thailand (models)	41A5283	1
Turkish (models)	41A5284	1
Turkish (models)	41A5285	1
UK English (models)	41A5286	1
US Euro (models)	41A5287	1
Slovenian (models)	41A5288	1

6305 mice	FRU#	CRU
Optical Wheel Mouse (400DPI, USB) (models B1U B1F B2U B2F B3U B3F B4U B4F B5U B5F B6U B6F B7U B7F B8U B8F B9U B9F BDU BDF BEU BEF BBU BBF BCU BCF)	41U3013	1
Optical Wheel Mouse (400DPI, USB) (models B1U B1F B2U B2F B3U B3F B4U B4F B5U B5F B6U B6F B7U B7F B8U B8F B9U B9F BDU BDF BEU BEF BBU BBF BCU BCF)	41U3030	1
PS/2 Three Button ball mouse (41R0017) (models)	41R0018	1

6305 Adapters and miscellaneous FRUs	FRU#	CRU
USB Memory Key - 1G RoW (models)	41U4978	1
USB Memory Key (models)	43R2296	2
Soft Modem V.90/V.44 SFF (models CTO)	46R4220	2
IEEE 1394 Firewire Adapter SFF (models)	41D2781	2
Internal USB Memory Card Reader Slim (models)	43C9207	1
ATI HD 2400PRO 128MB 64BIT DMS59 LP (models)	43C0259	2
ATI HD 2400XT 256MB 64BIT DMS59 ATX (models)	43C0260	2
ADD2 DVI Adapter,LP (HDCP) (models)	43C0258	2
DVI-I connection Adapter Full Height (models)	39J9334	2
Internal USB Memory Card Reader Slim (LX-607) (models)	45R1885	1
Speaker Power brick - US, Canada, LA low voltage, ASEAN (models B1U B2U B3U B4U B5U B6U B7U B8U B9U BDU BEU BBU BCU)	89P8571	1
Speaker Power brick - LA high voltage (non-APU) (models)	89P8575	1
Speaker Power brick - China, Thailand (models)	89P8581	1
Speaker Power brick - Japan (models)	89P8577	1
Speaker Power brick - Brazil (models)	89P8583	1
Speaker Power brick - Argentina (models)	41A4901	1
Speaker Power brick - ANZ (models)	89P8579	1
Speaker Brick - Korea (models)	41A4903	1
Speaker Brick - Hong Kong, EMEA (models)	89P8573	1
Speaker Brick - Taiwan (models)	41A4905	1

6305 Adapters and miscellaneous FRUs	FRU#	CRU
Speaker Power brick - India, South Africa (models)	89P8585	1
Dongle DMS Dule DMS-59 to dual VGA Cable(models)	42Y8181	2
Dongle DMS Dule DMS-59 to dual DVI Cable (models)	41X6398	2

9356 Line Cords	FRU#	CRU
Line cord - US (models B1U B1F B2U B2F B3U B3F B4U B4F B5U B5F B6U B6F B7U B7F B8U B8F B9U B9F BDU BDF BEU BEF BBU BBF BCU BCF)	41R3184	1
Line cord - US (models B1U B1F B2U B2F B3U B3F B4U B4F B5U B5F B6U B6F B7U B7F B8U B8F B9U B9F BDU BDF BEU BEF BBU BBF BCU BCF)	41R3185	1
Line cord - China (models)	41R3256	1
Line cord - China (models)	41R3257	1
Line cord - Brazil (models)	41R3270	1
Line cord - Brazil (models)	41R3271	1
Line cord - LA High Volt APU (models)	41R3176	1
Line Cord - LA High Volt APU (models)	41R3177	1
Line Cord - Korea (models)	41R3260	1
Line Cord - Korea (models)	41R3261	1
Line Cord - UK, Ireland, Singapore, Malaysia, Brunei (models)	41R3224	1
Line Cord - UK, Ireland, Singapore, Malaysia, Brunei (models)	41R3225	1
Line Cord - Taiwan (models)	41R3278	1
Line Cord - Taiwan (models)	41R3279	1
Line Cord - Italy (models)	41R3232	1
Line Cord - Italy (models)	41R3233	1
Line Cord - Indonesia, Laos, Cambodia, and Vietnam (models)	41R3208	1
Line Cord - Indonesia, Laos, Cambodia, and Vietnam (models)	41R3209	1
Line Cord - Denmark (models)	41R3212	1
Line Cord - Denmark (models)	41R3213	1
Line Cord - Switzerland (models)	41R3228	1
Line Cord - Switzerland (models)	41R3229	1
Line Cord - Israel (models)	41R3236	1
Line Cord - Israel (models)	41R3237	1
Line Cord - South Africa (models)	41R3220	1
Line Cord - South Africa (models)	41R3221	1
Line Cord - India (models)	41R3341	1
Line Cord - India (models)	41R3175	1
Line Cord - Japan (models)	41R3248	1
Line Cord - Japan (models)	41R3249	1
Line Cord - ANZ (models)	41R3196	1
Line Cord - ANZ (models)	41R3197	1

9356 Line Cords	FRU#	CRU
Line Cord - Hong Kong (models)	41R3224	1
Line Cord - Hong Kong (models)	41R3225	1

6305 Windows XP Home Recovery CDs	FRU#	CRU
US/UK/AP/TH (models)	TBD	1
FR/CF (models)	TBD	1
GR (models)	TBD	1
IT (models)	TBD	1
BR (models)	TBD	1
SP/LA (models)	TBD	1
DK (models)	TBD	1
NL (models)	TBD	1
AE (models)	TBD	1
SV (Swedish)(models)	TBD	1
HE (models)	TBD	1
FI (models)	TBD	1
NO (models)	TBD	1
PL (models)	TBD	1
PO (models)	TBD	1
RU (models)	TBD	1
RE (models)	TBD	
HU (models)	TBD	1
CZ (models)	TBD	1
TR (models)	TBD	1
GK (models)	TBD	1
Japanese (models)	TBD	1
Simplified Chinese (models)	TBD	1
Taiwan-TC (models)	TBD	1
Hong Kong-TC (models)	TBD	1
Korean (models)	TBD	1

6305 Windows XP Pro Recovery CDs	FRU#	CRU
US/UK/AP/TH (models B7U B8U B9U BDU BEU BBU BCU)	45R0756	1
FR/CF (models B7F B8F B9F BDF BEF BBF BCF)	45R0759	1
GR (models)	45R0760	1
IT (models)	45R0762	1
BR (models)	45R0763	1
SP/LA (models)	45R0761	1
DK (models)	45R0764	1

6305 Windows XP Pro Recovery CDs	FRU#	CRU
NL (models)	45R0767	1
AE (models)	45R2342	1
SV (Swedish) (models)	45R0765	1
HE (models)	45R2334	1
FI (models)	45R0766	1
NO (models)	45R0770	1
PL (models)	45R0777	1
PO (models)	45R0774	1
RU (models)	45R0773	1
RE (models)	45R2318	1
HU (models)	45R0780	1
CZ (models)	45R0776	1
TR (models)	45R0775	1
GK (models)	45R0772	1
SL (models)	45R2326	1
Japanese (models)	45R0757	1
Simplified Chinese (models)	45R0758	1
Taiwan-TC (models)	45R0768	1
Hong Kong-TC (models)	45R0769	1
Korean (models)	45R0771	1
Multilingual 1 XP-Pro -- EN, NL, FR, GR, IT (models)	45R8246	1
Multilingual 2 XP-Pro -- EN, DK, FI, NO, SV (models)	45R8247	1

6305 Vista Home Basic 32 SP1 Recovery DVDs	FRU#	CRU
English (models)	46R7273	1
Japanese (models)	46R7274	1
Simplified Chinese (models)	46R7275	1
French (models)	46R7276	1
German (models)	46R7277	1
Spanish (models)	46R7278	1
Italian (models)	46R7279	1
Brazilian Portuguese (models)	46R7280	1
Danish (models)	46R7281	1
Swedish (models)	45R9758	1
Finland (models)	45R9759	1
Dutch (models)	45R9760	1
Traditional Chinese (models)	46R7282	1
Hong Kong (models)	46R7283	1
Norwegian (models)	46R7284	1

6305 Vista Home Basic 32 SP1 Recovery DVDs	FRU#	CRU
Korean (models)	45R9764	1
Slovenian (models)	45R9765	1
Greek (models)	45R9766	1
Russian (models)	46R7285	1
Portuguese (models)	45R9768	1
Turkish (models)	45R9769	1
Czech (models)	45R9770	1
Polish (models)	45R9771	1
Russian English (models)	46R7286	1
Arabic Localized (models)	45R9773	1
Hebrew (models)	45R9774	1
Hungarian (models)	45R9775	1
Slovakian (models)	45R9776	1

6305 Vista Business 32 SP1 Recovery DVDs	FRU#	CRU
English (models B1U B2U B3U B4U B5U B6U B7U B8U B9U BDU BEU BBU BCU)	46R7287	1
Japanese (models)	46R7288	1
Simplified Chinese (models)	46R7289	1
French (models B1F B2F B3F B4F B5F B6F B7F B8F B9F BDF BEF BBF BCF)	46R7290	1
German (models)	46R7291	1
Spanish (models)	46R7292	1
Italian (models)	46R7293	1
Brazilian Portuguese (models)	46R7294	1
Danish (models)	46R7295	1
Swedish (models)	45R9786	1
Finland (models)	45R9787	1
Dutch (models)	45R9788	1
Traditional Chinese (models)	46R7296	1
Hong Kong (models)	46R7297	1
Norwegian (models)	46R7298	1
Korean (models)	45R9792	1
Slovenian (models)	45R9793	1
Greek (models)	45R9794	1
Russian (models)	46R7299	1
Portuguese (models)	45R9796	1
Turkish (models)	45R9797	1
Czech (models)	45R9798	1
Polish (models)	45R9799	1
Russian English (models)	46R7300	1

6305 Vista Business 32 SP1 Recovery DVDs	FRU#	CRU
Arabic Localized (models)	45R9801	1
Hebrew (models)	45R9802	1
Romanian (models)	45R9803	1
Hungarian (models)	45R9804	1
Slovakian (models)	45R9805	1
Serbian-Latin (models)	45R9806	1

6305 Vista VHP SP1 Recovery DVDs	FRU#	CRU
English (models)	46R7315	1
Japanese (models)	46R7316	1
Simplified Chinese (models)	46R7317	1
French (models)	46R7318	1
German (models)	46R7319	1
Spanish (models)	46R7320	1
Italian (models)	46R7321	1
Brazilian Portuguese (models)	46R7322	1
Danish (models)	46R7323	1
Swedish (models)	45R9844	1
Finland (models)	45R9845	1
Dutch (models)	45R9846	1
Traditional Chinese (models)	46R7324	1
Hong Kong (models)	46R7325	1
Norwegian (models)	46R7326	1
Korean (models)	45R9850	1
Slovenian (models)	45R9851	1
Greek (models)	45R9852	1
Russian (models)	46R7327	1
Portuguese (models)	45R9854	1
Turkish (models)	45R9855	1
Czech (models)	45R9856	1
Polish (models)	45R9857	1
Russian English (models)	46R7328	1
Arabic Localized (models)	45R9859	1
Hebrew (models)	45R9860	1
Romanian (models)	45R9861	1
Hungarian (models)	45R9862	1
Slovakian (models)	45R9863	1
Serbian-Latin (models)	45R9864	1

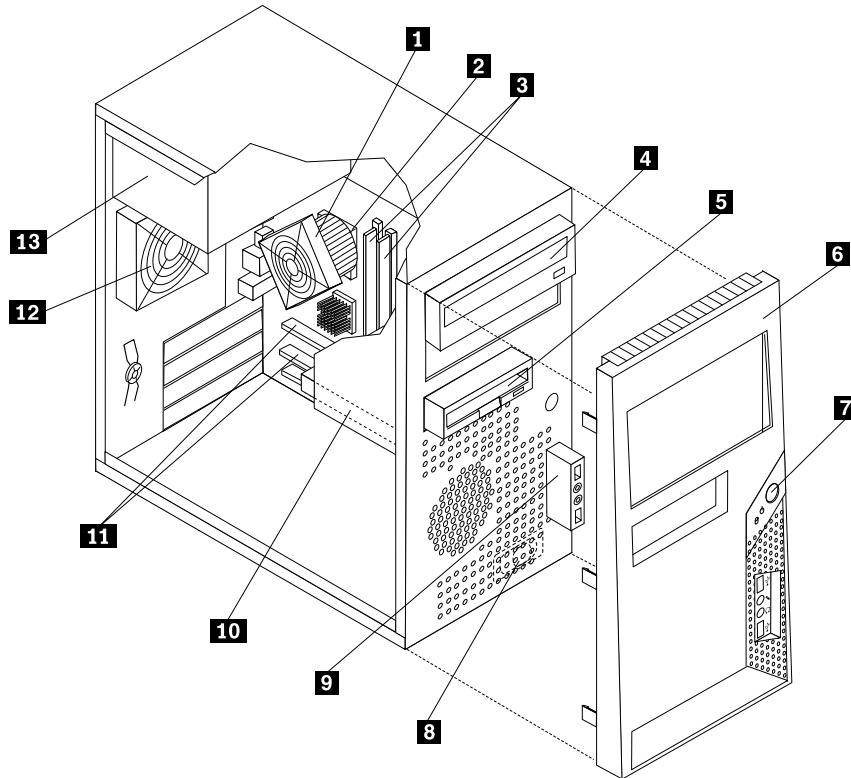
6305 Vista Business 64 SP1 Recovery DVDs	FRU#	CRU
English (models)	46R7301	1
Japanese (models)	46R7302	1
Simplified Chinese (models)	46R7303	1
French (models)	46R7304	1
German (models)	46R7305	1
Spanish (models)	46R7306	1
Italian (models)	46R7307	1
Brazilian Portuguese (models)	46R7308	1
Danish (models)	46R7309	1
Swedish (models)	45R9816	1
Danish (models)	45R9817	1
Dutch (models)	45R9818	1
Traditional Chinese (models)	46R7310	1
Hong Kong (models)	46R7311	1
Norwegian (models)	46R7312	1
Russian (models)	45R9822	1
Turkish (models)	45R9823	1
Hungarian (models)	45R9824	1
Greek (models)	45R9825	1
Russian (models)	46R7313	1
Taiwan (models)	45R9827	1
HongKong (models)	45R9828	1
Korea (models)	45R9829	1
Russian English (models)	46R7314	1
Portuguese (models)	45R9831	1
Arabic Localized (models)	45R9832	1
Hebrew (models)	45R9833	1
Slovakian (models)	45R9834	1

6305 Vista Ultimate 32 SP1 Recovery DVDs	FRU#	CRU
English (models)	46R7329	1
Japanese (models)	46R7330	1
Simplified Chinese (models)	46R7331	1
French (models)	46R7332	1
German (models)	46R7333	1
Spanish (models)	46R7334	1
Italian (models)	46R7335	1
Brazilian Portuguese (models)	46R7336	1
Danish (models)	46R7337	1

6305 Vista Ultimate 32 SP1 Recovery DVDs	FRU#	CRU
Swedish (models)	45R9874	1
Finland (models)	45R9875	1
Dutch (models)	45R9876	1
Traditional Chinese (models)	46R7338	1
Hong Kong (models)	46R7339	1
Norwegian (models)	46R7340	1
Korean (models)	45R9880	1
Slovenian (models)	45R9881	1
Greek (models)	45R9882	1
Russian (models)	46R7341	1
Portuguese (models)	45R9884	1
Turkish (models)	45R9885	1
Czech (models)	45R9886	1
Polish (models)	45R9887	1
Russian English (models)	46R7342	1
Arabic Localized (models)	45R9889	1
Hebrew (models)	45R9890	1
Hungarian (models)	45R9891	1
Slovakian (models)	45R9892	1

6305 Vista Starter 32 Recovery DVDs	FRU#	CRU
English (models)	46R5059	1

Machine Type 7064



Item #	7064 FRUs	FRU#	CRU Tier
1	Intel 65W/95W Heatsink Kit (Tower) (all models)	41R6429	2
2	Microprocessor, Celeron 420 CONROE-L 800/1600MHZ-512K,LGA,EM64T (models)	43C3835	N
2	Microprocessor, Celeron 430 CONROE-L 800/1800MHZ-512K,LGA,EM64T (models)	43C1964	N
2	Microprocessor, Celeron 440 CONROE-L 800/2000MHZ-512K,LGA,EM64T (models)	43C1965	N
2	Microprocessor, Pentium Dual-core E2140 CONROE-L 800/1600MHZ-1M, LGA, EM64T (models)	43C1967	N
2	Microprocessor, Pentium Dual-core E2160 CONROE-L 800/1800MHZ-1M, LGA, EM64T (models)	43C1968	N
2	Microprocessor, Core 2 Duo E4400 L2 CONROE 800/2000MHZ-2M, LGA, EM64T (models)	43C2056	N
2	Microprocessor, Core 2 Duo E6400 B2 CONROE 1066/2130MHZ-2M, LGA, EM64T L2 Value (models)	41X2496	N
2	Microprocessor, Pentium Dual-core E2200 CONROE-L 800/2200MHZ-1M, LGA, EM64T - NPI (models CTO)	45C5349	N
2	Microprocessor, Pentium Dual-core E2180 CONROE-L 800/2000MHZ-1M, LGA, EM64T - NPI (models CTO)	45C1773	N
2	Microprocessor, Pentium Dual-core E2220 CONROE-L 800/2400MHZ-1M, LGA, EM64T - NPI (models CTO)	45C1774	N
2	Microprocessor, Core 2 Duo E4600 M0 CONROE 800/2400MHZ-2M, LGA, EM64T - NPI (models CTO)	45C5282	N

Item #	7064 FRUs	FRU#	CRU Tier
2	Microprocessor, Core 2 Duo E4500 M0 CONROE 800/2200MHZ-2M, LGA, EM64T (models CTO)	43C6305	N
2	Microprocessor, Core 2 Duo E6850 G0 CONROE 1333/3000MHZ-4M, LGA, EM64T (models CTO)	43C1694	N
2	Microprocessor, Core 2 Duo E6750 G0 CONROE 1333/2660MHZ-4M, LGA, EM64T (models CTO)	43C1693	N
2	Microprocessor, Core 2 Duo E6550 G0 CONROE 1333/2330MHZ-4M, LGA, EM64T (models CTO)	43C3833	N
2	Microprocessor, Core 2 Quad G-0 Q6700 KENTSFIELD 1066/2660MHZ-8M (models CTO)	43C6309	N
2	Microprocessor, Core 2 Quad G-0 Q6600 KENTSFIELD 1066/2400MHZ-8M (models CTO)	43C1695	N
2	Microprocessor, Core 2 Duo E8500 WOLFDAL E 1333/3160MHZ-6M (models CTO)	45C7735	N
2	Microprocessor, Core 2 Duo E8400 WOLFDAL E 1333/3000MHZ-6M (models CTO)	45C7736	N
2	Microprocessor, Core 2 Duo E8200 WOLFDAL E 1333/2660MHZ-6M (models CTO)	45C7738	N
2	Microprocessor, Core 2 Duo E8190 WOLFDAL E 1333/2660MHZ-6M - NON VT/Vpro (models CTO)	45R2568	N
2	Microprocessor, Core 2 Quad Q9550 C-1 YORKFIELD 2.83GHz 1333MHZ FSB 12M L2 (models CTO)	45C7739	N
2	Microprocessor, Core 2 Quad Q9450 C-1 YORKFIELD 2.66GHz 1333MHZ FSB 12M L2 (models CTO)	45C7740	N
2	Microprocessor, Core 2 Quad Q9300 M-1 YORKFIELD 2.5GHz 1333MHZ FSB 6M L2 (models CTO)	45C7741	N
2	Microprocessor, Core 2 Duo E8300 C-0 WOLFDAL E 2.83GHz 1333MHZ FSB 6M L2 (models CTO)	45C7737	N
2	Microprocessor, Core 2 Duo E7300 M-0 2.66GHz 1066MHz FSB 3M L2 (models CTO)	46R1622	N
2	Microprocessor, Core 2 Duo E7200 M-0 2.53GHz 1066MHz FSB 3M L2 (models CTO)	45R8337	N
2	Microprocessor, Core 2 Duo E4700 G-0 2.6GHz 800MHz FSB 2M L2 (models CTO)	45R5786	N
2	Microprocessor, Celeron Dual Core E1400 M-0 2.0GHz 800MHz FSB 512K L2 (models CTO)	45R8339	N
2	Microprocessor, Celeron Dual Core E1200 M-0 1.6GHz 800MHz FSB 512K L2, LGA, EM64T - NPI (models CTO)	45R8341	N
2	Microprocessor, Core 2 Duo E8600 E-0 WOLFDAL E 3.33GHz 1333MHZ FSB 6M L2 (models CTO)	46R8640	N
3	Memory module, 512 MB PC-5300 (667MHz) DDR2 SDRAM (models)	41X4255	2
3	Memory module, 1 GB PC-5300 (667MHz) DDR2 SDRAM (models AAU AAF AAS AAP AAL AAD AAY AAG AAM AAA AAQ AAT AAC AAB AAH AAV AAK AAR AAE AAJ)	41X4256	2
3	Memory module, 2 GB PC-5300 (667MHz) DDR2 SDRAM (models)	41X4257	2
3	Memory module, 512 MB PC2-6400 (800MHz) DDR2 SDRAM (models)	41X1079	2
3	Memory module, 1GB PC-6400 (800MHz) DDR2 SDRAM (models)	41X1080	2
3	Memory module, 2GB PC-6400 (800MHz) DDR2 SDRAM (models)	41X1081	2
4	DVD-ROM Drive - 16x/48x - SATA Vista & non-Vista (models)	41N3325	2

Item #	7064 FRUs	FRU#	CRU Tier
4	DVD-ROM Drive - DVD-ROM/CD-RW Combo Drive - 48x/32x/48x/16x - SATA Vista & non-Vista (models AAU AAF AAS AAP AAL AAD AAY AAG AAM AAA AAQ AAT AAC AAB AAH AAV AAK AAR AAE AAJ)	42Y9353	2
4	DVD-ROM Drive - DVD-RW/CD-RW Rambo 8 - SATA Vista & non-Vista (models)	43C1042	2
5	Diskette drive, 3.5" 1.44MB 2 Mode FDD with Bezel and cable (models)	40Y9107	2
5	Diskette drive, 3.5" 1.44MB 2 Mode FDD with Bezel and cable (models)	40Y9105	2
6	Bezel assembly without IBM mark(all models)	41R6243	2
7	Power switch/LED assembly (all models)	41N5284	2
8	Speaker assembly, soldered terminals (all models)	39P5023	2
9	Front audio/USB assembly (all models)	41N8054	2
10	Hard disk drive, SATA 80GB 7200RPM/3Gb/8MB (models)	40Y9034	2
10	Hard disk drive, SATA 160GB 7200RPM/3Gb/8MB (models AAU AAF AAS AAP AAL AAD AAY AAG AAM AAA AAQ AAT AAC AAB AAH AAV AAK AAR AAE AAJ)	40Y9035	2
10	Hard disk drive, SATA 320GB 7200rpm SATA/8MB (models)	87H4891	2
11	System board , Intel G31 mATX GA Level (models AAU AAF AAS AAP AAL AAD AAY AAG AAM AAA AAQ AAT AAC AAB AAH AAV AAK AAR AAE AAJ)	53Y3282	N
12	Fan, 4 Pin System Fan (all models)	41R6269	2
13	Power supply, ATX 280W Power supply; Robust; for all countries except for JP (models AAU AAF AAS AAP AAL AAD AAY AAG AAM AAA AAQ AAT AAC AAB AAH AAV AAK AAR AAE AAJ)	41A9684	2
13	Power supply, ATX 280W 80% power supply;for all countries (models)	41A9665	2
13	Power supply, ATX 310W Power supply Robust; for all countries (models AAU AAF AAS AAP AAL AAD AAY AAG AAM AAA AAQ AAT AAC AAB AAH AAV AAK AAR AAE AAJ)	41A9726	2

The FRUs listed in the following tables are not illustrated.

7064 FRUs	FRU#	CRU Tier
Shield, 5.25 EMC (all models)	41N8080	2
Cable, SATA 457mm (RoHs) (all models)	43N9013	2
Cable, SATA 250mm (RoHs) (all models)	43N9012	2
Shield, diskette drive EMC (all models)	41N8078	2
Cable, Diskette drive (RoHs) (all models)	41A7182	2
Cover, left side (all models)	41N8050	2
Retainer, Card Reader (all models)	41R2913	2
Fan, front (all models)	41R4791	2
Optional HDD Bracket Asm, without 4Pin cable (all models)	41R6106	2
Intrusion Switch asm (all models)	41R6116	2
Hard disk drive tray (all models)	41R6291	2
Planer shield, Atx 946, with usb number (all models)	41R6378	N
Temperature Sense cable (460 mm) (all models)	41R2509	2
Asm Chassis Without IBM Mark (all models)	41R6408	2

7064 FRUs	FRU#	CRU Tier
Card reader retainer (models)	43N9351	2
Blank 5.25" Bezel (models)	41N8077	3
Fru,Tamdhu chassis primary HDD cage (all models)	45K6272	1
Fru,Tamdhu ruber foot(For acoustic improvement) (all models)	45K6278	2
BATTERY 3V-LITHIUM (TOWER,ROCKYS,LX-607) (models AAU AAF AAS AAP AAL AAD AAY AAG AAM AAA AAQ AAT AAC AAB AAH AAV AAK AAR AAE AAJ)	45C1566	N

Keyboard (Lenovo USB Preferred -- without hub)	FRU#	CRU Tier
US English (models)	41A5039	1
Arabic (models)	41A5040	1
Arabic/French (models)	41A5041	1
Belgian/French (models)	41A5042	1
Belgian/English (models)	41A5043	1
Brazilian Portuguese (models)	41A5044	1
Bulgarian (models)	41A5045	1
Chinese/US (models)	41A5046	1
Czech (models)	41A5047	1
Danish (models)	41A5048	1
Dutch (models)	41A5049	1
French (models)	41A5050	1
French Canadian (models)	41A5051	1
French Canadian (models)	41A5052	1
German (models)	41A5053	1
Greek (models)	41A5054	1
Greek/US (models)	41A5080	1
Hebrew (models)	41A5055	1
Hungarian (models)	41A5056	1
Iceland (models)	41A5057	1
Italian (models)	41A5058	1
Japanese (models)	41A5059	1
Korean (models)	41A5060	1
LA Spanish (models)	41A5061	1
Norwegian (models)	41A5062	1
Polish (models)	41A5063	1
Portuguese (models)	41A5064	1
Romanian (models)	41A5065	1
Russian/Cyrillic (models)	41A5066	1
Serbian/Cyrillic (models)	41A5067	1

Keyboard (Lenovo USB Preferred -- without hub)	FRU#	CRU Tier
Slovak (models)	41A5068	1
Spanish (models)	41A5069	1
Swedish/Finnish (models)	41A5070	1
Swiss (models)	41A5071	1
Thailand (models)	41A5072	1
Turkish (models)	41A5073	1
Turkish (models)	41A5074	1
UK English (models)	41A5075	1
US Euro (models)	41A5076	1
Slovenian (models)	41A5077	1

Keyboard (Lenovo USB Preferred -- without hub)	FRU#	CRU Tier
US English (models AAU AAG AAM AAA AAQ AAH AAR AAE)	41A5289	1
Arabic (models AAG)	41A5290	1
Arabic/French (models)	41A5291	1
Belgian/French (models AAG)	41A5292	1
Belgian/UK (models AAG)	41A5293	1
Brazilian Portuguese (models AAP)	41A5294	1
Bulgarian (models AAG)	41A5295	1
Chinese/US (models AAB AAV)	41A5296	1
Czech (models AAG)	41A5297	1
Danish (models AAG)	41A5298	1
Dutch (models AAG)	41A5299	1
French (models AAG)	41A5300	1
French Canadian (models AAF)	41A5301	1
French Canadian (models AAF)	41A5302	1
German (models AAG)	41A5303	1
Greek (models AAG)	41A5304	1
Greek/US (models AAG)	41A5305	1
Hebrew (models AAG)	41A5306	1
Hungarian (models AAG)	41A5307	1
Iceland (models AAG)	41A5308	1
Italian (models AAG)	41A5309	1
Japanese (models AAJ)	41A5310	1
Korean (models AAK)	41A5311	1
LA Spanish (models AAS AAD AAY)	41A5312	1
Norwegian (models AAG)	41A5313	1
Polish (models AAG)	41A5314	1

Keyboard (Lenovo USB Preferred -- without hub)	FRU#	CRU Tier
Portuguese (models AAG)	41A5315	1
Romanian (models AAG)	41A5317	1
Russian/Cyrillic (models AAG)	41A5318	1
Serbian/Cyrillic (models AAG)	41A5319	1
Slovak (models AAG)	41A5320	1
Spanish (models AAG)	41A5321	1
Swedish/Finnish (models AAG)	41A5322	1
Swiss (models AAT)	41A5323	1
Thailand (models AAG)	41A5324	1
Turkish (models AAG)	41A5325	1
Turkish (models AAG)	41A5326	1
UK English (models AAG)	41A5327	1
US Euro (models AAG)	41A5328	1
Slovenian (models AAG)	41A5329	1

Keyboard (Lenovo Enhanced Perf, USB Preferred -- with hub)	FRU#	CRU Tier
US English (models)	41A4961	1
Arabic (models)	41A4962	1
Arabic/French (models)	41A4963	1
Belgian French (models)	41A4964	1
Belgium English (models)	41A4965	1
Brazilian Portuguese (models)	41A4966	1
Bulgarian (models)	41A4967	1
Chinese/US (models)	41A4968	1
Czech (ABB) (models)	41A4969	1
Danish (models)	41A4970	1
Dutch (models)	41A4971	1
French (models)	41A4972	1
French Canadian (models)	41A4973	1
French Canadian (models)	41A4974	1
German (models)	41A4975	1
Greek (models)	41A4976	1
Greek/US (models)	41A5078	1
Hebrew (models)	41A4977	1
Hungarian (models)	41A4978	1
Iceland (models)	41A4979	1
Italian (models)	41A4980	1
Japanese (models)	41A4981	1

Keyboard (Lenovo Enhanced Perf, USB Preferred -- with hub)	FRU#	CRU Tier
Korean (models)	41A4982	1
LA Spanish (models)	41A4983	1
Norwegian (models)	41A4984	1
Polish (models)	41A4985	1
Portuguese (models)	41A4986	1
Romanian (models)	41A4987	1
Russian/Cyrilic (models)	41A4988	1
Serbian/Cyrilic (models)	41A4989	1
Slovak (models)	41A4990	1
Spanish (models)	41A4991	1
Swedish/Finnish (models)	41A4992	1
Swiss French/German (models)	41A4993	1
Thailand (models)	41A4994	1
Turkish (models)	41A4995	1
Turkish (models)	41A4996	1
UK English (models)	41A4997	1
US Euro (models)	41A4998	1
Slovenian (models)	41A4999	1

Keyboard (Lenovo Fingerprint Reader USB)	FRU#	CRU Tier
US English (models)	41A5248	1
Arabic (models)	41A5249	1
Arabic/French (models)	41A5250	1
Belgian French (models)	41A5251	1
Belgium English (models)	41A5252	1
Brazilian Portuguese (models)	41A5253	1
Bulgarian (models)	41A5254	1
Chinese/US (models)	41A5255	1
Czech (ABB) (models)	41A5256	1
Danish (models)	41A5257	1
Dutch (models)	41A5258	1
French (models)	41A5259	1
French Canadian (models)	41A5260	1
French Canadian (models)	41A5261	1
German (models)	41A5262	1
Greek (models)	41A5263	1
Greek/US (models)	41A5264	1
Hebrew (models)	41A5265	1

Keyboard (Lenovo Fingerprint Reader USB)	FRU#	CRU Tier
Hungarian (models)	41A5266	1
Iceland (models)	41A5267	1
Italian (models)	41A5268	1
Japanese (models)	41A5269	1
Korean (models)	41A5270	1
LA Spanish (models)	41A5271	1
Norwegian (models)	41A5272	1
Polish (models)	41A5273	1
Portuguese (models)	41A5274	1
Romanian (models)	41A5276	1
Russian/Cyrilic (models)	41A5277	1
Serbian/Cyrilic (models)	41A5278	1
Slovak (models)	41A5279	1
Spanish (models)	41A5280	1
Swedish/Finnish (models)	41A5281	1
Swiss French/German (models)	41A5282	1
Thailand (models)	41A5283	1
Turkish (models)	41A5284	1
Turkish (models)	41A5285	1
UK English (models)	41A5286	1
US Euro (models)	41A5287	1
Slovenian (models)	41A5288	1

7064 mice	FRU#	CRU Tier
Optical Wheel Mouse (400DPI, USB) (models AAU AAF AAS AAP AAL AAD AAY AAG AAM AAA AAQ AAT AAC AAB AAH AAV AAK AAR AAE AAJ)	41U3013	1
Optical Wheel Mouse (400DPI, USB) (models AAU AAF AAS AAP AAL AAD AAY AAG AAM AAA AAQ AAT AAC AAB AAH AAV AAK AAR AAE AAJ)	41U3030	1
PS/2 Three Button ball mouse (41R0017) (models)	41R0018	1

7064 Adapters and miscellaneous FRUs	FRU#	CRU
Internal USB Memory Card Reader floppy bay (models)	41R3378	2
Internal USB 20 in 1 Memory CardReader floppy bay (models)	45R8139	2
USB Memory Key (models)	43R2296	2
Internal USB Memory Card Reader floppy bay (models)	41R3376	2
Soft Modem V.90/V.44 ATX (models CTO)	46R4220	2
ATI HD 2600XT 512MB 128BIT ATX (models)	43C0261	2
IEEE 1394 Firewire Adapter SFF (models)	41D2781	2
Internal USB Memory Card Reader Slim (models)	43C9207	1

7064 Adapters and miscellaneous FRUs	FRU#	CRU
USB Memory Key - 1G RoW (models)	41U4978	1
ADD2 DVI Adapter,FH (HDCP) (models)	43C0258	2
ATI HD 2400PRO 128MB 64BIT DMS59 LP (models)	43C0259	2
ATI HD 2400PRO 128MB 64BIT DMS59 ATX (models)	43C0259	2
ATI HD 2400XT 256MB 64BIT DMS59 ATX (models)	43C0260	2
DVI-I connection Adapter Full Height(models)	39J9334	2
DVI-I connection Adapter Low Profile (models)	39J9334	2
Speaker Power brick - US, Canada, LA low voltage, ASEAN (models AAU AAS AAA)	89P8571	1
Speaker Power brick - LA high voltage (non-APU) (models AAD AAY)	89P8575	1
Speaker Power brick - China, Thailand (models AAC AAT)	89P8581	1
Speaker Power brick - Japan (models AAJ)	89P8577	1
Speaker Power brick - Brazil (models AAP)	89P8583	1
Speaker Power brick - Argentina (models)	41A4901	1
Speaker Power brick - ANZ (modes AAM)	89P8579	1
Speaker Brick - Korea (models AAK)	41A4903	1
Speaker Brick - Hong Kong, EMEA (models AAB AAH)	89P8573	1
Speaker Brick - Taiwan (models AAV)	41A4905	1
Speaker Power brick - India, South Africa (models AAQ)	89P8585	1
Dongle DMS Dule DMS-59 to dual VGA Cable (models)	42Y8181	2
Dongle DMS Dule DMS-59 to dual DVI Cable (models)	41X6398	2

7064 Line Cords	FRU#	CRU
Line cord - US (models AAU AAF AAS AAD AAL AAA AAT)	41R3184	1
Line cord - US (models AAU AAF AAS AAD AAL AAA AAT)	41R3185	1
Line cord - China (models AAC)	41R3256	1
Line cord - China (models AAC)	41R3257	1
Line cord - Brazil (models AAP)	41R3270	1
Line cord - Brazil (models AAP)	41R3271	1
Line cord - LA High Volt APU (models AAS)	41R3176	1
Line Cord - LA High Volt APU (models AAS)	41R3177	1
Line Cord - Korea (models AAK)	41R3260	1
Line Cord - Korea (models AAK)	41R3261	1
Line Cord - UK, Ireland, Singapore, Malaysia, Brunei (models AAG AAA)	41R3224	1
Line Cord - UK, Ireland, Singapore, Malaysia, Brunei (models AAG AAA)	41R3225	1
Line Cord - Taiwan (models AAV)	41R3278	1
Line Cord - Taiwan (models AAV)	41R3279	1
Line Cord - Italy (models AAS AAY AAL AAG)	41R3232	1
Line Cord - Italy (models AAS AAY AAL AAG)	41R3233	1
Line Cord - Indonesia, Laos, Cambodia, and Vietnam (models AAG AAA)	41R3208	1

7064 Line Cords	FRU#	CRU
Line Cord - Indonesia, Laos, Cambodia, and Vietnam (models AAG AAA)	41R3209	1
Line Cord - Denmark (models AAG)	41R3212	1
Line Cord - Denmark (models AAG)	41R3213	1
Line Cord - Switzerland (models AAG)	41R3228	1
Line Cord - Switzerland (models AAG)	41R3229	1
Line Cord - Israel (models AAG)	41R3236	1
Line Cord - Israel (models AAG)	41R3237	1
Line Cord - South Africa (models AAG AAM AAA)	41R3220	1
Line Cord - South Africa (models AAG AAM AAA)	41R3221	1
Line Cord - India (models AAQ)	41R3341	1
Line Cord - India (models AAQ)	41R3175	1
Line Cord - Japan (models AAJ)	41R3248	1
Line Cord - Japan (models AAJ)	41R3249	1
Line Cord - ANZ (models AAM)	41R3196	1
Line Cord - ANZ (models AAM)	41R3197	1
Line Cord - Hong Kong (models AAB AAH)	41R3224	1
Line Cord - Hong Kong (models AAB AAH)	41R3225	1

7064 Windows XP Home Recovery CDs	FRU#	CRU
US/UK/AP/TH (models)	TBD	1
FR/CF (models)	TBD	1
GR (models)	TBD	1
IT (models)	TBD	1
BR (models)	TBD	1
SP/LA (models)	TBD	1
DK (models)	TBD	1
NL (models)	TBD	1
AE (models)	TBD	1
SV (models)	TBD	1
HE (models)	TBD	1
FI (models)	TBD	1
NO (models)	TBD	1
PL (models)	TBD	1
PO (models)	TBD	1
RU (models)	TBD	1
RE (models)	TBD	1
HU (models)	TBD	1
CZ (models)	TBD	1
TR (models)	TBD	1

7064 Windows XP Home Recovery CDs	FRU#	CRU
GK (models)	TBD	1
Japanese (models)	TBD	1
Simplified Chinese (models)	TBD	1
Taiwan-TC (models)	TBD	1
Hong Kong-TC (models)	TBD	1
Korean (models)	TBD	1

7064 Windows XP Pro Recovery CDs	FRU#	CRU
US/UK/AP/TH (models)	45R0756	1
FR/CF (models)	45R0759	1
GR (models)	45R0760	1
IT (models)	45R0762	1
BR (models)	45R0763	1
SP/LA (models)	45R0761	1
DK (models)	45R0764	1
NL (models)	45R0767	1
AE (models)	45R2342	1
SV (Swedish) (models)	45R0765	1
HE (models)	45R2334	1
FI (models)	45R0766	1
NO (models)	45R0770	1
PL (models)	45R0777	1
PO (models)	45R0774	1
RU (models)	45R0773	1
RE (models)	45R2318	1
HU (models)	45R0780	1
CZ (models)	45R0776	1
TR (models)	45R0775	1
GK (models)	45R0772	1
SL (models)	45R2326	1
Japanese (models)	45R0757	1
Simplified Chinese (models)	45R0758	1
Taiwan-TC (models)	45R0768	1
Hong Kong-TC (models)	45R0769	1
Korean (models)	45R0771	1
Multilingual 1 XP-Pro -- EN, NL, FR, GR, IT (models)	45R8246	1
Multilingual 2 XP-Pro -- EN, DK, FI, NO, SV (models)	45R8247	1

7064 Vista Home Basic 32 SP1 Recovery DVDs	FRU#	CRU
English (models)	46R7273	1
Japanese (models)	46R7274	1
Simplified Chinese (models)	46R7275	1
French (models)	46R7276	1
German (models)	46R7277	1
Spanish (models)	46R7278	1
Italian (models)	46R7279	1
Brazilian Portuguese (models)	46R7280	1
Danish (models)	46R7281	1
Swedish (models)	45R9758	1
Finland (models)	45R9759	1
Dutch (models)	45R9760	1
Traditional Chinese (models)	46R7282	1
Hong Kong (models)	46R7283	1
Norwegian (models)	46R7284	1
Korean (models)	45R9764	1
Slovenian (models)	45R9765	1
Greek (models)	45R9766	1
Russian (models)	46R7285	1
Portuguese (models)	45R9768	1
Turkish (models)	45R9769	1
Czech (models)	45R9770	1
Polish (models)	45R9771	1
Russian English (models)	46R7286	1
Arabic Localized (models)	45R9773	1
Hebrew (models)	45R9774	1
Hungarian (models)	45R9775	1
Slovakian (models)	45R9776	1

7064 Vista Business 32 SP1 Recovery DVDs	FRU#	CRU
English (models AAU AAG AAM AAQ AAA AAH AAR AAE)	46R7287	1
Japanese (models)	46R7288	1
Simplified Chinese (models)	46R7289	1
French (models AAG AAF)	46R7290	1
German (models AAG)	46R7291	1
Spanish (models AAG)	46R7292	1
Italian (models AAG)	46R7293	1
Brazilian Portuguese (models AAP)	46R7294	1
Danish (models AAG)	46R7295	1

7064 Vista Business 32 SP1 Recovery DVDs	FRU#	CRU
Swedish (models AAG)	45R9786	1
Finland (models AAG)	45R9787	1
Dutch (models AAG)	45R9788	1
Traditional Chinese (models AAV)	46R7296	1
Hong Kong (models AAB)	46R7297	1
Norwegian (models AAG)	46R7298	1
Korean (models AAK)	45R9792	1
Slovenian (models AAG)	45R9793	1
Greek (models AAG)	45R9794	1
Russian (models AAG)	46R7299	1
Portuguese (models AAG)	45R9796	1
Turkish (models AAG)	45R9797	1
Czech (models AAG)	45R9798	1
Polish (models AAG)	45R9799	1
Russian English (models AAG)	46R7300	1
Arabic Localized (models)	45R9801	1
Hebrew (models AAG)	45R9802	1
Romanian (models AAG)	45R9803	1
Hungarian (models AAG)	45R9804	1
Slovakian (models AAG)	45R9805	1
Serbian-Latin (models)	45R9806	1

7064 Vista VHP SP1 Recovery DVDs	FRU#	CRU
English (models)	46R7315	1
Japanese (models)	46R7316	1
Simplified Chinese (models)	46R7317	1
French (models)	46R7318	1
German (models)	46R7319	1
Spanish (models)	46R7320	1
Italian (models)	46R7321	1
Brazilian Portuguese (models)	46R7322	1
Danish (models)	46R7323	1
Swedish (models)	45R9844	1
Finland (models)	45R9845	1
Dutch (models)	45R9846	1
Traditional Chinese (models)	46R7324	1
Hong Kong (models)	46R7325	1
Norwegian (models)	46R7326	1
Korean (models)	45R9850	1

7064 Vista VHP SP1 Recovery DVDs	FRU#	CRU
Slovenian (models)	45R9851	1
Greek (models)	45R9852	1
Russian (models)	46R7327	1
Portuguese (models)	45R9854	1
Turkish (models)	45R9855	1
Czech (models)	45R9856	1
Polish (models)	45R9857	1
Russian English (models)	46R7328	1
Arabic Localized (models)	45R9859	1
Hebrew (models)	45R9860	1
Romanian (models)	45R9861	1
Hungarian (models)	45R9862	1
Slovakian (models)	45R9863	1
Serbian-Latin (models)	45R9864	1

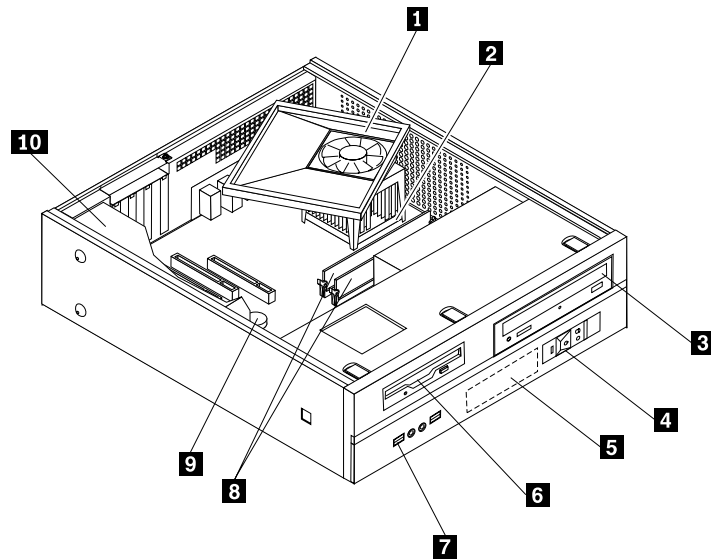
7064 Vista Business 64 SP1 Recovery DVDs	FRU#	CRU
English (models)	46R7301	1
Russian English (models)	46R7302	1
French (models)	46R7303	1
German (models)	46R7304	1
Spanish (models)	46R7305	1
Brazilian Portuguese (models)	46R7306	1
Italian (models)	46R7307	1
Japanese (models)	46R7308	1
Norwegian (models)	46R7309	1
Swedish (models)	45R9816	1
Danish (models)	45R9817	1
Dutch (models)	45R9818	1
Czech (models)	46R7310	1
Finnish (models)	46R7311	1
Polish (models)	46R7312	1
Russian (models)	45R9822	1
Turkish (models)	45R9823	1
Hungarian (models)	45R9824	1
Greek (models)	45R9825	1
Simplified Chinese (models)	46R7313	1
Taiwan (models)	45R9827	1
HongKong (models)	45R9828	1
Korea (models)	45R9829	1

7064 Vista Business 64 SP1 Recovery DVDs	FRU#	CRU
Slovenian (models)	46R7314	1
Portuguese (models)	45R9831	1
Arabic Localized (models)	45R9832	1
Hebrew (models)	45R9833	1
Slovakian (models)	45R9834	1

7064 Vista Ultimate 32 SP1 Recovery DVDs	FRU#	CRU
English (models)	46R7329	1
Japanese (models)	46R7330	1
Simplified Chinese (models)	46R7331	1
French (models)	46R7332	1
German (models)	46R7333	1
Spanish (models)	46R7334	1
Italian (models)	46R7335	1
Brazilian Portuguese (models)	46R7336	1
Danish (models)	46R7337	1
Swedish (models)	45R9874	1
Finland (models)	45R9875	1
Dutch (models)	45R9876	1
Traditional Chinese (models)	46R7338	1
Hong Kong (models)	46R7339	1
Norwegian (models)	46R7340	1
Korean (models)	45R9880	1
Slovenian (models)	45R9881	1
Greek (models)	45R9882	1
Russian (models)	46R7341	1
Portuguese (models)	45R9884	1
Turkish (models)	45R9885	1
Czech (models)	45R9886	1
Polish (models)	45R9887	1
Russian English (models)	46R5089	1
Arabic Localized (models)	46R7342	1
Hebrew (models)	45R9890	1
Hungarian (models)	45R9891	1
Slovakian (models)	45R9892	1

7064 Vista Starter 32 Recovery DVDs	FRU#	CRU
English (models)	46R5059	1

Machine Type 7065



Item #	7065 FRUs	FRU#	CRU
1	Heat Sink/RM Kit Intel (all models)	41R6022	N
1	Heat Sink/RM Kit Intel (all models)	41N8261	2
2	Microprocessor, Celeron 420 CONROE-L 800/1600MHZ-512K,LGA,EM64T (models)	43C3835	N
2	Microprocessor, Celeron 430 CONROE-L 800/1800MHZ-512K,LGA,EM64T (models)	43C1964	N
2	Microprocessor, Celeron 440 CONROE-L 800/2000MHZ-512K,LGA,EM64T (models)	43C1965	N
2	Microprocessor, Pentium Dual-core E2140 CONROE-L 800/1600MHZ-1M, LGA, EM64T (models)	43C1967	N
2	Microprocessor, Pentium Dual-core E2160 CONROE-L 800/1800MHZ-1M, LGA, EM64T (models)	43C1968	N
2	Microprocessor, Core 2 Duo E4400 L2 CONROE 800/2000MHZ-2M, LGA, EM64T (models)	43C2056	N
2	Microprocessor, Core 2 Duo E6400 B2 CONROE 1066/2130MHZ-2M, LGA, EM64T L2 Value (models)	41X2496	N
2	Microprocessor, Pentium Dual-core E2200 CONROE-L 800/2200MHZ-1M, LGA, EM64T - NPI (models CTO)	45C5349	N
2	Microprocessor, Pentium Dual-core E2180 CONROE-L 800/2000MHZ-1M, LGA, EM64T - NPI (models CTO)	45C1773	N
2	Microprocessor, Pentium Dual-core E2220 CONROE-L 800/2400MHZ-1M, LGA, EM64T - NPI (models CTO)	45C1774	N
2	Microprocessor, Core 2 Duo E4600 M0 CONROE 800/2400MHZ-2M, LGA, EM64T - NPI (models CTO)	45C5282	N
2	Microprocessor, Core 2 Duo E4500 M0 CONROE 800/2200MHZ-2M, LGA, EM64T (models CTO)	43C6305	N
2	Microprocessor, Core 2 Duo E6850 G0 CONROE 1333/3000MHZ-4M, LGA, EM64T (models CTO)	43C1694	N

Item #	7065 FRUs	FRU#	CRU
2	Microprocessor, Core 2 Duo E6750 G0 CONROE 1333/2660MHZ-4M, LGA, EM64T (models CTO)	43C1693	N
2	Microprocessor, Core 2 Duo E6550 G0 CONROE 1333/2330MHZ-4M, LGA, EM64T (models CTO)	43C3833	N
2	Microprocessor, Core 2 Quad G-0 Q6700 KENTSFIELD 1066/2660MHZ-8M (models CTO)	43C6309	N
2	Microprocessor, Core 2 Quad G-0 Q6600 KENTSFIELD 1066/2400MHZ-8M (models CTO)	43C1695	N
2	Microprocessor, Core 2 Duo E8500 WOLFDAL E 1333/3160MHZ-6M (models CTO)	45C7735	N
2	Microprocessor, Core 2 Duo E8400 WOLFDAL E 1333/3000MHZ-6M (models CTO)	45C7736	N
2	Microprocessor, Core 2 Duo E8200 WOLFDAL E 1333/2660MHZ-6M (models CTO)	45C7738	N
2	Microprocessor, Core 2 Duo E8190 WOLFDAL E 1333/2660MHZ-6M - NON VT/Vpro (models CTO)	45R2568	N
2	Microprocessor, Core 2 Quad Q9550 C-1 YORKFIELD 2.83GHz 1333MHZ FSB 12M L2 (models CTO)	45C7739	N
2	Microprocessor, Core 2 Quad Q9450 C-1 YORKFIELD 2.66GHz 1333MHZ FSB 12M L2 (models CTO)	45C7740	N
2	Microprocessor, Core 2 Quad Q9300 M-1 YORKFIELD 2.5GHz 1333MHZ FSB 6M L2 (models CTO)	45C7741	N
2	Microprocessor, Core 2 Duo E8300 C-0 WOLFDAL E 2.83GHz 1333MHZ FSB 6M L2 (models CTO)	45C7737	N
2	Microprocessor, Core 2 Duo E7300 M-0 2.66GHz 1066MHz FSB 3M L2 (models CTO)	46R1622	N
2	Microprocessor, Core 2 Duo E7200 M-0 2.53GHz 1066MHz FSB 3M L2 (models CTO)	45R8337	N
2	Microprocessor, Core 2 Duo E4700 G-0 2.6GHz 800MHz FSB 2M L2 (models CTO)	45R5786	N
2	Microprocessor, Celeron Dual Core E1400 M-0 2.0GHz 800MHz FSB 512K L2 (models CTO)	45R8339	N
2	Microprocessor, Celeron Dual Core E1200 M-0 1.6GHz 800MHz FSB 512K L2, LGA, EM64T - NPI (models CTO)	45R8341	N
2	Microprocessor, Core 2 Duo E8600 E-0 WOLFDAL E 3.33GHz 1333MHZ FSB 6M L2 (models CTO)	46R8640	N
2	Microprocessor, Pentium Dual Core E5200 M-0 WOLFDAL E 2.5GHz 800MHz FSB 2M L2 (models CTO)	46R9512	N
3	DVD-ROM Drive - 16x/48x - SATA Vista & non-Vista (models)	41N3325	2
3	DVD-ROM/CD-RW Combo Drive - 48x/32x/48x/16x - SATA Vista & non-Vista (models AAU AAF AAS AAP AAL AAD AAY AAG AAM AAA AAQ AAT AAC AAB AAH AAV AAK AAR AAE AAJ ABU ABF ABS ABP ABL ABD ABY ABG ABM ABA ABQ ABT ABC ABB ABH ABV ABK ABR ABE ABJ ACU ACF ACS ACP ACL ACD ACY ACG ACM ACA ACQ ACT ACC ACB ACH ACV ACK ACR ACE ACJ)	42Y9353	2
3	DVD-RW/CD-RW Rambo 8 - SATA Vista & non-Vista (models)	43C1042	2
4	Front Power/LED PC, bracket, and cable (all models)	41N8213	2
5	Hard disk drive, SATA 80GB 7200RPM/3Gb/8MB (models)	40Y9034	2

Item #	7065 FRUs	FRU#	CRU
5	Hard disk drive, SATA 160GB 7200RPM/3Gb/8MB (models AAU AAF AAS AAP AAL AAD AAY AAG AAM AAA AAQ AAT AAC AAB AAH AAV AAK AAR AAE AAJ ABU ABF ABS ABP ABL ABD ABY ABG ABM ABA ABQ ABT ABC ABB ABH ABV ABK ABR ABE ABJ ACU ACF ACS ACP ACL ACD ACY ACG ACM ACA ACQ ACT ACC ACB ACH ACV ACK ACR ACE ACJ)	40Y9035	2
5	Hard disk drive, SATA 320GB 7200rpm SATA/8MB (models)	87H4891	2
6	Diskette drive, 3,5", 1.44MB, 2-mode, (w/bezel) (models)	40Y9105	2
6	Diskette drive, 3,5", 1.44MB, 2-mode, (w/bezel) (models)	40Y9107	2
7	Front USB/Audio with bracket (all models)	41N8212	2
8	Memory module, 512 MB PC-5300 (667MHz) DDR2 SDRAM (models)	41X4255	2
8	Memory module, 1 GB PC-5300 (667MHz) DDR2 SDRAM (models AAU AAF AAS AAP AAL AAD AAY AAG AAM AAA AAQ AAT AAC AAB AAH AAV AAK AAR AAE AAJ ABU ABF ABS ABP ABL ABD ABY ABG ABM ABA ABQ ABT ABC ABB ABH ABV ABK ABR ABE ABJ ACU ACF ACS ACP ACL ACD ACY ACG ACM ACA ACQ ACT ACC ACB ACH ACV ACK ACR ACE ACJ)	41X4256	2
8	Memory module, 2 GB PC-5300 (667MHz) DDR2 SDRAM (models)	41X4257	2
8	Memory module, 512 MB PC2-6400 (800MHz) DDR2 SDRAM (models)	41X1079	2
8	Memory module, 1GB PC-6400 (800MHz) DDR2 SDRAM (models)	41X1080	2
8	Memory module, 2GB PC-6400 (800MHz) DDR2 SDRAM (models)	41X1081	2
9	System board, Intel G31 mATX GA Level (models AAU AAF AAS AAP AAL AAD AAY AAG AAM AAA AAQ AAT AAC AAB AAH AAV AAK AAR AAE AAJ ABU ABF ABS ABP ABL ABD ABY ABG ABM ABA ABQ ABT ABC ABB ABH ABV ABK ABR ABE ABJ ACU ACF ACS ACP ACL ACD ACY ACG ACM ACA ACQ ACT ACC ACB ACH ACV ACK ACR ACE ACJ)	45C2882	N
9	System board, Intel G31 mATX GA Level (models AAU AAF AAS AAP AAL AAD AAY AAG AAM AAA AAQ AAT AAC AAB AAH AAV AAK AAR AAE AAJ ABU ABF ABS ABP ABL ABD ABY ABG ABM ABA ABQ ABT ABC ABB ABH ABV ABK ABR ABE ABJ ACU ACF ACS ACP ACL ACD ACY ACG ACM ACA ACQ ACT ACC ACB ACH ACV ACK ACR ACE ACJ)	53Y3282	N
10	Power supply, 220 Watt Power Supply - Robust; for all countries except for JP (ROCKYS) (models AAU AAF AAS AAP AAL AAD AAY AAG AAM AAA AAQ AAT AAC AAB AAH AAV AAK AAR AAE ABU ABF ABS ABP ABL ABD ABY ABG ABM ABA ABQ ABT ABC ABB ABH ABV ABK ABR ABE ACU ACF ACS ACP ACL ACD ACY ACG ACM ACA ACQ ACT ACC ACB ACH ACV ACK ACR ACE)	41A9689	N
10	Power supply, 220 Watt Power Supply - Japan; only for JP (ROCKYS) (models AAJ ABJ ACJ)	41A9697	N
10	Power supply, 220W 80% Power supply-for all countries (ROCKYS) (models AAU AAF AAS AAP AAL AAD AAY AAG AAM AAA AAQ AAT AAC AAB AAH AAV AAK AAR AAE AAJ ABU ABF ABS ABP ABL ABD ABY ABG ABM ABA ABQ ABT ABC ABB ABH ABV ABK ABR ABE ABJ ACU ACF ACS ACP ACL ACD ACY ACG ACM ACA ACQ ACT ACC ACB ACH ACV ACK ACR ACE ACJ)	41A9670	N
10	Power supply, 280W TFX 280W PS ,Active PFC, for RockyS-for all countries (ROCKYS) (models AAU AAF AAS AAP AAL AAD AAY AAG AAM AAA AAQ AAT AAC AAB AAH AAV AAK AAR AAE AAJ ABU ABF ABS ABP ABL ABD ABY ABG ABM ABA ABQ ABT ABC ABB ABH ABV ABK ABR ABE ABJ ACU ACF ACS ACP ACL ACD ACY ACG ACM ACA ACQ ACT ACC ACB ACH ACV ACK ACR ACE ACJ)	41A9705	N

The FRUs listed in the following tables are not illustrated.

7065 FRUs	FRU#	CRU
Planer shield, Atx 946,G31 with usb number (all models)	41R6384	N
Cabel, SATA 250mm (RoHS) (all models)	43N9012	2
Shield, EMC , Blank 5.25 (all models)	41N8271	2
Shield, EMC , Blank diskette drive (all models)	41N8273	2
Cover (all models)	41N8204	2
Mechanical shell kit (all models)	41R6387	N
Bezel kit, without IBM logo (all models)	41R6238	2
Miscellaneous hardware kit (all models)	41N8209	2
Hard disk drive bracket assembly (plastic and grommets) (all models)	41N8210	2
Hard disk drive fan and bracket asm (all models)	41R6325	2
Speaker cable assembly, 600 mm cable length (all models)	41N8217	2
Fan duct assembly (all models)	41R4808	2
Rear USB 2Ports II LP (R), low profile I/O, 200mm, Rohs (all models)	42Y8006	2
Retention module assembly, Intel (all models)	41A7139	N
Intrusion switch assembly (all models)	41R6208	2
Foot stand (all models)	41R4813	1
Cable, diskette drive (all models)	41A7147	2
Cable, serial ATA, 250 mm (all models)	41A7145	2
Planer shield, Atx 946, with usb number (all modes)	41R6378	N
Rear Com2 cable , Rohs (all models)	41R6198	2
Rear Com2 cable II LP(R), low profile I/O, 250mm, Rohs (all models)	42Y8008	2
Fru,Tamdhu chassis primary HDD cage (all models)	45K6272	1
Fru,Tamdhu ruber foot(For acoustic improvement) (all models)	45K6278	2
BATTERY 3V-LITHIUM (TOWER,ROCKYS,LX-607) (models AAU AAF AAS AAP AAL AAD AAY AAG AAM AAA AAQ AAT AAC AAB AAH AAV AAK AAR AAE AAJ ABU ABF ABS ABP ABL ABD ABY ABG ABM ABA ABQ ABT ABC ABB ABH ABV ABK ABR ABE ABJ ACU ACF ACS ACP AGL ACD ACY ACG ACM ACA ACQ ACT ACC ACB ACH ACV ACK ACR ACE ACJ)	45C1566	N

7065 Keyboard (Lenovo USB Preferred -- without hub)	FRU#	CRU Tier
US English (models)	41A5039	1
Arabic (models)	41A5040	1
Arabic/French (models)	41A5041	1
Belgian/French (models)	41A5042	1
Belgian/English (models)	41A5043	1
Brazilian Portuguese (models)	41A5044	1
Bulgarian (models)	41A5045	1
Chinese/US (models)	41A5046	1
Czech (models)	41A5047	1
Danish (models)	41A5048	1

7065 Keyboard (Lenovo USB Preferred -- without hub)	FRU#	CRU Tier
Dutch (models)	41A5049	1
French (models)	41A5050	1
French Canadian (models)	41A5051	1
French Canadian (models)	41A5052	1
German (models)	41A5053	1
Greek (models)	41A5054	1
Greek/US (models)	41A5080	1
Hebrew (models)	41A5055	1
Hungarian (models)	41A5056	1
Iceland (models)	41A5057	1
Italian (models)	41A5058	1
Japanese (models)	41A5059	1
Korean (models)	41A5060	1
LA Spanish (models)	41A5061	1
Norwegian (models)	41A5062	1
Polish (models)	41A5063	1
Portuguese (models)	41A5064	1
Romanian (models)	41A5065	1
Russian/Cyrillic (models)	41A5066	1
Serbian/Cyrillic (models)	41A5067	1
Slovak (models)	41A5068	1
Spanish (models)	41A5069	1
Swedish/Finnish (models)	41A5070	1
Swiss (models)	41A5071	1
Thailand (models)	41A5072	1
Turkish (models)	41A5073	1
Turkish (models)	41A5074	1
UK English (models)	41A5075	1
US Euro (models)	41A5076	1
Slovenian (models)	41A5077	1

7065 Keyboard (Lenovo USB Preferred -- without hub)	FRU#	CRU Tier
US English (models AAU AAG AAM AAA AAQ AAH AAR AAE ABU ABG ABM ABA ABQ ABH ABR ABE ACU ACG ACM ACA ACQ ABCH ACR ACE)	41A5289	1
Arabic (models)	41A5290	1
Arabic/French (models AAG ABG ACG)	41A5291	1
Belgian/French (models AAG ABG ACG)	41A5292	1
Belgian/UK (models AAG ABG ACG)	41A5293	1

7065 Keyboard (Lenovo USB Preferred -- without hub)	FRU#	CRU Tier
Brazilian Portuguese (models AAP ABP ACP)	41A5294	1
Bulgarian (models AAG ABG ACG)	41A5295	1
Chinese/US (models AAB ABB ACB AAV ABV ACV)	41A5296	1
Czech(ABB) (models AAG ABG ACG)	41A5297	1
Danish (models AAG ABG ACG)	41A5298	1
Dutch (models AAG ABG ACG)	41A5299	1
French (models AAG ABG ACG)	41A5300	1
French Canadian (models AAF ABF ACF)	41A5301	1
French Canadian (models AAF ABF ACF)	41A5302	1
German (models AAG ABG ACG)	41A5303	1
Greek (models AAG ABG ACG)	41A5304	1
Greek/US (models AAG ABG ACG)	41A5305	1
Hebrew (models AAG ABG ACG)	41A5306	1
Hungarian (models AAG ABG ACG)	41A5307	1
Iceland (models AAG ABG ACG)	41A5308	1
Italian (models AAG ABG ACG)	41A5309	1
Japanese (models AAJ ABJ ACJ)	41A5310	1
Korean (models AAK ABK ACK)	41A5311	1
LA Spanish (models AAS AAD AAY ABS ABD ABY ACS ACD ACY)	41A5312	1
Norwegian (models AAG ABG ACG)	41A5313	1
Polish (models AAG ABG ACG)	41A5314	1
Portuguese (models AAG ABG ACG)	41A5315	1
Romanian (models AAG ABG ACG)	41A5317	1
Russian/Cyrillic (models AAG ABG ACG)	41A5318	1
Serbian/Cyrillic (models AAG ABG ACG)	41A5319	1
Slovak (models AAG ABG ACG)	41A5320	1
Spanish (mmodels AAG ABG ACGodels)	41A5321	1
Swedish/Finnish (models AAG ABG ACG)	41A5322	1
Swiss French/German (models AAG ABG ACG)	41A5323	1
Thailand (models AAT ABT ACT)	41A5324	1
Turkish (models AAG ABG ACG)	41A5325	1
Turkish (models AAG ABG ACG)	41A5326	1
UK English (models AAG ABG ACG)	41A5327	1
US Euro (models AAG ABG ACG)	41A5328	1
Slovenian (models AAG ABG ACG)	41A5329	1

7065 Keyboard (Lenovo Enhanced Perf, USB Preferred -- with hub)	FRU#	CRU Tier
US English (models)	41A4961	1
Arabic (models)	41A4962	1
Arabic/French (models)	41A4963	1
Belgian/French (models)	41A4964	1
Belgian/UK (models)	41A4965	1
Brazilian Portuguese (models)	41A4966	1
Bulgarian (models)	41A4967	1
Chinese/US (models)	41A4968	1
Czech(ABB) (models)	41A4969	1
Danish (models)	41A4970	1
Dutch (models)	41A4971	1
French (models)	41A4972	1
French Canadian (models)	41A4973	1
French Canadian (models)	41A4974	1
German (models)	41A4975	1
Greek (models)	41A4976	1
Greek/US (models)	41A5078	1
Hebrew (models)	41A4977	1
Hungarian (models)	41A4978	1
Iceland (models)	41A4979	1
Italian (models)	41A4980	1
Japanese (models)	41A4981	1
Korean (models)	41A4982	1
LA Spanish (models)	41A4983	1
Norwegian (models)	41A4984	1
Polish (models)	41A4985	1
Portuguese (models)	41A4986	1
Romanian (models)	41A4987	1
Russian/Cyrillic (models)	41A4988	1
Serbian/Cyrillic (models)	41A4989	1
Slovak (models)	41A4990	1
Spanish (models)	41A4991	1
Swedish/Finnish (models)	41A4992	1
Swiss French/German (models)	41A4993	1
Thailand (models)	41A4994	1
Turkish (models)	41A4995	1
Turkish (models)	41A4996	1
UK English (models)	41A4997	1

7065 Keyboard (Lenovo Enhanced Perf, USB Preferred -- with hub)	FRU#	CRU Tier
US Euro (models)	41A4998	1
Slovenian (models)	41A4999	1

7065 Keyboard (Lenovo Fingerprint Reader USB)	FRU#	CRU Tier
US English (models)	41A5248	1
Arabic (models)	41A5249	1
Arabic/French (models)	41A5250	1
Belgian/French (models)	41A5251	1
Belgian/UK (models)	41A5252	1
Brazilian Portuguese (models)	41A5253	1
Bulgarian (models)	41A5254	1
Chinese/US (models)	41A5255	1
Czech(ABB) (models)	41A5256	1
Danish (models)	41A5257	1
Dutch (models)	41A5258	1
French (models)	41A5259	1
French Canadian (models)	41A5260	1
French Canadian (models)	41A5261	1
German (models)	41A5262	1
Greek (models)	41A5263	1
Greek/US (models)	41A5264	1
Hebrew (models)	41A5265	1
Hungarian (models)	41A5266	1
Iceland (models)	41A5267	1
Italian (models)	41A5268	1
Japanese (models)	41A5269	1
Korean (models)	41A5270	1
LA Spanish (models)	41A5271	1
Norwegian (models)	41A5272	1
Polish (models)	41A5273	1
Portuguese (models)	41A5274	1
Romanian (models)	41A5276	1
Russian/Cyrillic (models)	41A5277	1
Serbian/Cyrillic (models)	41A5278	1
Slovak (models)	41A5279	1
Spanish (models)	41A5280	1
Swedish/Finnish (models)	41A5281	1
Swiss French/German (models)	41A5282	1

7065 Keyboard (Lenovo Fingerprint Reader USB)	FRU#	CRU Tier
Thailand (models)	41A5283	1
Turkish (models)	41A5284	1
Turkish (models)	41A5285	1
UK English (models)	41A5286	1
US Euro (models)	41A5287	1
Slovenian (models)	41A5288	1

7065 mice	FRU#	CRU
Optical Wheel Mouse (400DPI, USB) (all models)	41U3013	1
Optical Wheel Mouse (400DPI, USB) (all models)	41U3030	1
PS/2 2 Button Ball Mouse (models)	41R0018	1

7065 Adapters and miscellaneous FRUs	FRU#	CRU
Internal USB Memory Card Reader floppy bay (models)	41R3378	2
Internal USB 20 in 1 Memory CardReader floppy bay (models)	45R8139	2
USB Memory Key (models)	43R2296	2
Internal USB Memory Card Reader floppy bay (models)	41R3376	2
IEEE 1394 Firewire Adapter SFF (models)	41D2781	2
Soft Modem V.90/V.44 SFF (models CTO)	46R4220	2
USB Memory Key - 1G RoW (models)	41U4978	1
ATI HD 2400PRO 128MB 64BIT DMS59 LP (models)	43C0259	2
ATI HD 2400XT 256MB 64BIT DMS59 LP (models)	43C0260	2
ADD2 DVI Adapter,LP (HDCP) (models)	43C0258	2
DVI-I connection Adapter Full Height (models)	39J9334	2
DVI-I connection Adapter Low Profile (models)	39J9334	2
Speaker Power brick - US, Canada, LA low voltage,ASEAN (models AAU ABU ACU ABS AAS ACS AAA ABA ACA)	89P8571	1
Speaker Power brick - LA high voltage (non-APU) (models AAD ABD ACD)	89P8575	1
Speaker Power brick - China, Thailand (models AAT AAC ABT ABC ACT ACC)	89P8581	1
Speaker Power brick - Japan (models AAJ ABJ ACJ)	89P8577	1
Speaker Power brick - Brazil (models AAP ABP ACP)	89P8583	1
Speaker Power brick - Argentina (models AAY ABY ACY)	41A4901	1
Speaker Power brick - ANZ (models AAM ABM ACM)	89P8579	1
Speaker Brick - Korea (models AAK ABK ACK)	41A4903	1
Speaker Brick - Hong Kong, EMEA (models AAG AAH AAB ABG ABH ABB ACG ACG ACH)	89P8573	1
Speaker Brick - Taiwan (models AAV ABV ACV)	41A4905	1
Speaker Power brick - India, South Africa (models AAQ ABQ ACQ)	89P8585	1
Dongle DMS Dule DMS-59 to dual VGA Cable (models)	42Y8181	2
Dongle DMS Dule DMS-59 to dual DVI Cable (models)	41X6398	2

7065 Line Cords	FRU#	CRU
Line cord - US (models AAU AAF AAS AAD AAL AAA AAT ABU ABF ABS ABD ABL ABA ABT ACU ACF ACS ACD ACL ACA ACT)	41R3184	1
Line cord - US (models AAU AAF AAS AAD AAL AAA AAT ABU ABF ABS ABD ABL ABA ABT ACU ACF ACS ACD ACL ACA ACT)	41R3185	1
Line cord - China (models AAC ABC ACC)	41R3256	1
Line cord - China (models AAC ABC ACC)	41R3257	1
Line cord - Brazil (models AAP ABP ACP)	41R3270	1
Line cord - Brazil (models AAP ABP ACP)	41R3271	1
Line cord - LA High Volt APU (models AAY ABY ACY)	41R3176	1
Line Cord - LA High Volt APU (models AAY ABY ACY)	41R3177	1
Line Cord - Korea (models AAK ABK ACK)	41R3260	1
Line Cord - Korea (models AAK ABK ACK)	41R3261	1
Line Cord - UK, Ireland, Singapore, Malaysia, Brunei (models AAG ABG ACG)	41R3224	1
Line Cord - UK, Ireland, Singapore, Malaysia, Brunei (models AAG ABG ACG)	41R3225	1
Line Cord - Taiwan (models AAV ABV ACV)	41R3278	1
Line Cord - Taiwan (models AAV ABV ACV)	41R3279	1
Line Cord - Italy (models AAS AAY AAL AAG ABS ABY ABL ACS ACY ACL)	41R3232	1
Line Cord - Italy (models AAS AAY AAL AAG ABS ABY ABL ACS ACY ACL)	41R3233	1
Line Cord - Indonesia, Laos, Cambodia, and Vietnam (models AAG AAA ABG ABA ACG ACA)	41R3208	1
Line Cord - Indonesia, Laos, Cambodia, and Vietnam (models AAG AAA ABG ABA ACG ACA)	41R3209	1
Line Cord - Denmark (models AAG ABG ACG)	41R3212	1
Line Cord - Denmark (models AAG ABG ACG)	41R3213	1
Line Cord - Switzerland (models AAG ABG ACG)	41R3228	1
Line Cord - Switzerland (models AAG ABG ACG)	41R3229	1
Line Cord - Israel (models AAG ABG ACG)	41R3236	1
Line Cord - Israel (models AAG ABG ACG)	41R3237	1
Line Cord - South Africa (models AAM ABM ACM)	41R3220	1
Line Cord - South Africa (models AAM ABM ACM)	41R3221	1
Line Cord - India (models AAQ ABQ ACQ)	41R3341	1
Line Cord - India (models AAQ ABQ ACQ)	41R3175	1
Line Cord - Japan (models AAJ ABJ ACJ)	41R3248	1
Line Cord - Japan (models AAJ ABJ ACJ)	41R3249	1
Line Cord - ANZ (models AAM ABM ACM)	41R3196	1
Line Cord - ANZ (models AAM ABM ACM)	41R3197	1
Line Cord - Hong Kong (models AAB AAH ACB ACH ABH ABB)	41R3224	1
Line Cord - Hong Kong (models AAB AAH ACB ACH ABH ABB)	41R3225	1

7065 Windows XP Home Recovery CDs	FRU#	CRU
US/UK/AP/TH (models)	TBD	1
FR/CF (models)	TBD	1

7065 Windows XP Home Recovery CDs	FRU#	CRU
GR (models)	TBD	1
IT (models)	TBD	1
BR (models)	TBD	1
SP/LA (models)	TBD	1
DK (models)	TBD	1
NL (models)	TBD	1
AE (models)	TBD	1
SV (models)	TBD	1
HE (models)	TBD	1
FI (models)	TBD	1
NO (models)	TBD	1
PL (models)	TBD	1
PO (models)	TBD	1
RU (models)	TBD	1
RE (models)	TBD	1
HU (models)	TBD	1
CZ (models)	TBD	1
TR (models)	TBD	1
GK (models)	TBD	1
Japanese (models)	TBD	1
Simplified Chinese (models)	TBD	1
Taiwan-TC (models)	TBD	1
Hong Kong-TC (models)	TBD	1
Korea (models)	TBD	1

7065 Windows XP Pro Recovery CDs	FRU#	CRU
US/UK/AP/TH (models)	45R0756	1
FR/CF (models)	45R0759	1
GR (models)	45R0760	1
IT (models)	45R0762	1
BR (models)	45R0763	1
SP/LA (models)	45R0761	1
DK (models)	45R0764	1
NL (models)	45R0767	1
AE (models)	45R2342	1
SV (Swedish) (models)	45R0765	1
HE (models)	45R2334	1
FI (models)	45R0766	1
NO (models)	45R0770	1

7065 Windows XP Pro Recovery CDs	FRU#	CRU
PL (models)	45R0777	1
PO (models)	45R0774	1
RU (models)	45R0773	1
RE (models)	45R2318	1
HU (models)	45R0780	1
CZ (models)	45R0776	1
TR (models)	45R0775	1
GK (models)	45R0772	1
SL (models)	45R2326	1
Japanese (models)	45R0757	1
Simplified Chinese (models)	45R0758	1
Taiwan-TC (models)	45R0768	1
Hong Kong-TC (models)	45R0769	1
Korean (models)	45R0771	1
Multilingual 1 XP-Pro -- EN, NL, FR, GR, IT (models)	45R8246	1
Multilingual 2 XP-Pro -- EN, DK, FI, NO, SV (models)	45R8247	1

7065 Vista Home Basic 32 SP1 Recovery DVDs	FRU#	CRU
Simplified Chinese (models)	45R9751	1
English (models)	46R7273	1
Japanese (models)	46R7274	1
French (models)	46R7275	1
German (models)	46R7276	1
Spanish (models)	46R7277	1
English (models)	46R7278	1
Italian (models)	46R7279	1
Brazilian Portuguese (models)	46R7280	1
Danish (models)	46R7281	1
Swedish (models)	45R9758	1
Finland (models)	45R9759	1
Dutch (models)	45R9760	1
Traditional Chinese (models)	46R7282	1
Hong Kong (models)	46R7283	1
Norwegian (models)	46R7284	1
Korean (models)	45R9764	1
Slovenian (models)	45R9765	1
Greek (models)	45R9766	1
Russian (models)	46R7285	1
Portuguese (models)	45R9768	1

7065 Vista Home Basic 32 SP1 Recovery DVDs	FRU#	CRU
Turkish (models)	45R9769	1
Czech (models)	45R9770	1
Polish (models)	45R9771	1
Arabic Localized (models)	45R9773	1
Hebrew (models)	45R9774	1
Hungarian (models)	45R9775	1
Slovakian (models)	45R9776	1

7065 Vista Business 32 SP1 Recovery DVDs	FRU#	CRU
Simplified Chinese (models AAC ABC ACC)	45R9779	1
English (models AAU AAG AAM AAA AAQ AAH AAR AAE)	46R7287	1
Japanese (models AAJ ABJ ACJ)	46R7288	1
French (models AAG AAF ABG ABF ACG ACF)	46R7289	1
German (models AAG ABG ACG)	46R7290	1
Spanish (models AAG ABG ACG)	46R7291	1
Russian English (models AAG ABG ACG)	46R7292	1
Italian (models AAG ABG ACG)	46R7293	1
Brazilian Portuguese (models AAP ABP ACP)	46R7294	1
Danish (models AAG ABG ACG)	46R7295	1
Swedish (models AAG ABG ACG)	45R9786	1
Finland (models AAG ABG ACG)	45R9787	1
Dutch (models AAG ABG ACG)	45R9788	1
Traditional Chinese (models AAB AAV ABB ABV ACB ACV)	46R7296	1
Hong Kong (models AAB AAV ABB ABV ACB ACV)	46R7297	1
Norwegian (models AAG ABG ACG)	46R7298	1
Korean (models AAK ABK ACK)	45R9792	1
Slovenian (models AAG ABG ACG)	45R9793	1
Greek (models AAG ABG ACG)	45R9794	1
Russian (models AAG ABG ACG)	46R7299	1
Portuguese (models AAG ABG ACG)	45R9796	1
Turkish (models AAG ABG ACG)	45R9797	1
Czech (models AAG ABG ACG)	45R9798	1
Polish (models AAG ABG ACG)	45R9799	1
Russian English (models AAG ABG ACG)	46R7300	1
Arabic Localized (models)	45R9801	1
Hebrew (models AAG ABG ACG)	45R9802	1
Romanian (models AAG ABG ACG)	45R9803	1
Hungarian (models AAG ABG ACG)	45R9804	1

7065 Vista Business 32 SP1 Recovery DVDs	FRU#	CRU
Slovakian (models AAG ABG ACG)	45R9805	1
Serbian-Latin (models AAG ABG ACG)	45R9806	1

7065 Vista VHP SP1 Recovery DVDs	FRU#	CRU
English (models)	46R7315	1
Japanese (models)	46R7316	1
Simplified Chinese (models)	46R7317	1
French (models)	46R7318	1
German (models)	46R7319	1
Spanish (models)	46R7320	1
Italian (models)	46R7321	1
Brazilian Portuguese (models)	46R7322	1
Danish (models)	46R7323	1
Swedish (models)	45R9844	1
Finland (models)	45R9845	1
Dutch (models)	45R9846	1
Traditional Chinese (models)	46R7324	1
Hong Kong (models)	46R7325	1
Norwegian (models)	46R7326	1
Korean (models)	45R9850	1
Slovenian (models)	45R9851	1
Greek (models)	45R9852	1
Russian (models)	46R7327	1
Portuguese (models)	45R9854	1
Turkish (models)	45R9855	1
Czech (models)	45R9856	1
Polish (models)	45R9857	1
Russian English (models)	46R7328	1
Arabic Localized (models)	45R9859	1
Hebrew (models)	45R9860	1
Romanian (models)	45R9861	1
Hungarian (models)	45R9862	1
Slovakian (models)	45R9863	1
Serbian-Latin (models)	45R9864	1

7065 Vista Business 64 SP1 Recovery DVDs	FRU#	CRU
English (models)	46R7301	1
Japanese (models)	46R7302	1
Simplified Chinese (models)	46R7303	1

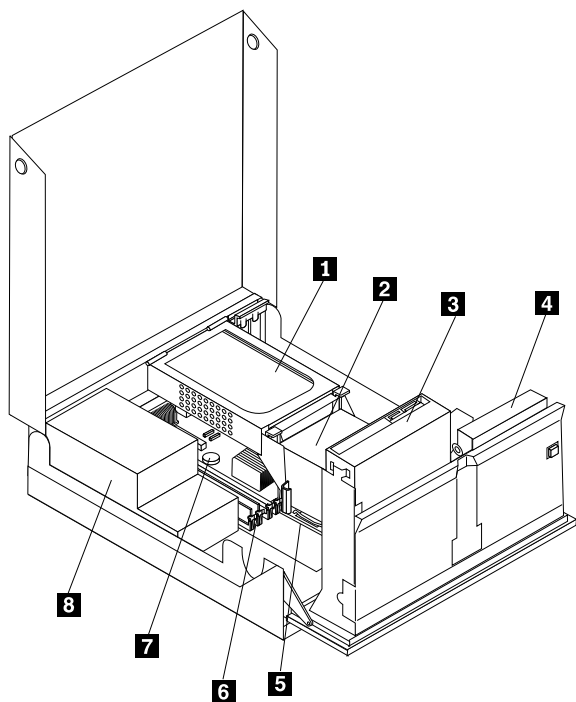
7065 Vista Business 64 SP1 Recovery DVDs	FRU#	CRU
French (models)	46R7304	1
German (models)	46R7305	1
Spanish (models)	46R7306	1
Italian (models)	46R7307	1
Brazilian Portuguese (models)	46R7308	1
Danish (models)	46R7309	1
Norwegian (models)	46R7310	1
Swedish (models)	45R9816	1
Danish (models)	45R9817	1
Dutch (models)	45R9818	1
Traditional Chinese (models)	46R7310	1
Hong Kong (models)	46R7311	1
Norwegian (models)	46R7312	1
Russian (models)	45R9822	1
Turkish (models)	45R9823	1
Hungarian (models)	45R9824	1
Greek (models)	45R9825	1
Russian (models)	46R7313	1
Taiwan (models)	45R9827	1
HongKong (models)	45R9828	1
Korea (models)	45R9829	1
Russian English (models)	46R7314	1
Portuguese (models)	45R9831	1
Arabic Localized (models)	45R9832	1
Hebrew (models)	45R9833	1
Slovakian (models)	45R9834	1

7065 Vista Ultimate 32 SP1 Recovery DVDs	FRU#	CRU
English (models)	46R7329	1
Japanese (models)	46R7330	1
Simplified Chinese (models)	46R7331	1
French (models)	46R7332	1
German (models)	46R7333	1
Spanish (models)	46R7334	1
Italian (models)	46R7335	1
Brazilian Portuguese (models)	46R7336	1
Danish (models)	46R7337	1
Swedish (models)	45R9874	1
Finland (models)	45R9875	1

7065 Vista Ultimate 32 SP1 Recovery DVDs	FRU#	CRU
Dutch (models)	45R9876	1
Traditional Chinese (models)	46R7338	1
Hong Kong (models)	46R7339	1
Norwegian (models)	46R7340	1
Korean (models)	45R9880	1
Slovenian (models)	45R9881	1
Greek (models)	45R9882	1
Russian (models)	46R7341	1
Portuguese (models)	45R9884	1
Turkish (models)	45R9885	1
Czech (models)	45R9886	1
Polish (models)	45R9887	1
Arabic Localized (models)	46R7342	1
Hebrew (models)	45R9890	1
Hungarian (models)	45R9891	1
Slovakian (models)	45R9892	1

7065 Vista Starter 32 Recovery DVDs	FRU#	CRU
English (models)	46R5059	1

Machine Type 7066



Item #	7066 FRUs	FRU#	CRU
1	Hard disk drive,SATA 80GB 7200RPM/3Gb/8MB (models)	40Y9034	2
1	Hard disk drive,SATA 160GB 7200RPM/3Gb/8MB (models AAU AAF AAS AAP AAL AAD AAY AAG AAM AAA AAQ AAT AAC AAB AAH AAV AAK AAR AAE AAJ)	40Y9035	2
1	Hard disk drive,SATA 320GB 7200rpm SATA/8MB (models)	87H4891	2
2	Thermal kit (all models)	41R6039	2
3	Optical drive,DVD-ROM Drive - 16x/48x - SATA Vista & non-Vista (models)	41N3325	2
3	Optical drive,DVD-ROM/CD-RW Combo Drive - 48x/32x/48x/16x - SATA Vista & non-Vista (models AAU AAF AAS AAP AAL AAD AAY AAG AAM AAA AAQ AAT AAC AAB AAH AAV AAK AAR AAE AAJ)	42Y9353	2
3	Optical drive,DVD-RW/CD-RW Rambo 8 - SATA Vista & non-Vista (models)	43C1042	2
5	Microprocessor, Celeron 420 CONROE-L 800/1600MHZ-512K,LGA,EM64T(models)	43C3835	N
5	Microprocessor, Celeron 430 CONROE-L 800/1800MHZ-512K,LGA,EM64T(models)	43C1964	N
5	Microprocessor, Celeron 440 CONROE-L 800/2000MHZ-512K,LGA,EM64T(models)	43C1965	N
5	Microprocessor, Pentium Dual-core E2140 CONROE-L 800/1600MHZ-1M, LGA, EM64T (models)	43C1967	N
5	Microprocessor, Pentium Dual-core E2160 CONROE-L 800/1800MHZ-1M, LGA, EM64T (models)	43C1968	N
5	Microprocessor, Core 2 Duo E4400 L2 CONROE 800/2000MHZ-2M, LGA, EM64T(models)	43C2056	N
5	Microprocessor,Core 2 Duo E6400 B2 CONROE 1066/2130MHZ-2M, LGA, EM64T L2 Value (models)	41X2496	N
2	Microprocessor, Pentium Dual-core E2200 CONROE-L 800/2200MHZ-1M, LGA, EM64T - NPI (models CTO)	45C5349	N
2	Microprocessor, Pentium Dual-core E2180 CONROE-L 800/2000MHZ-1M, LGA, EM64T - NPI (models CTO)	45C1773	N
2	Microprocessor, Pentium Dual-core E2220 CONROE-L 800/2400MHZ-1M, LGA, EM64T - NPI (models CTO)	45C1774	N
2	Microprocessor, Core 2 Duo E4600 M0 CONROE 800/2400MHZ-2M, LGA, EM64T - NPI (models CTO)	45C5282	N
2	Microprocessor, Core 2 Duo E4500 M0 CONROE 800/2200MHZ-2M, LGA, EM64T (models CTO)	43C6305	N
2	Microprocessor, Core 2 Duo E6850 G0 CONROE 1333/3000MHZ-4M, LGA, EM64T (models CTO)	43C1694	N
2	Microprocessor, Core 2 Duo E6750 G0 CONROE 1333/2660MHZ-4M, LGA, EM64T (models CTO)	43C1693	N
2	Microprocessor, Core 2 Duo E6550 G0 CONROE 1333/2330MHZ-4M, LGA, EM64T (models CTO)	43C3833	N
2	Microprocessor, Core 2 Quad G-0 Q6700 KENTSFIELD 1066/2660MHZ-8M (models CTO)	43C6309	N
2	Microprocessor, Core 2 Quad G-0 Q6600 KENTSFIELD 1066/2400MHZ-8M (models CTO)	43C1695	N
2	Microprocessor, Core 2 Duo E8500 WOLFDALÉ 1333/3160MHZ-6M (models CTO)	45C7735	N
2	Microprocessor, Core 2 Duo E8400 WOLFDALÉ 1333/3000MHZ-6M (models CTO)	45C7736	N
2	Microprocessor, Core 2 Duo E8200 WOLFDALÉ 1333/2660MHZ-6M (models CTO)	45C7738	N

Item #	7066 FRUs	FRU#	CRU
2	Microprocessor, Core 2 Duo E8190 WOLFDAL E 1333/2660MHZ-6M - NON VT/Vpro (models CTO)	45R2568	N
2	Microprocessor, Core 2 Quad Q9550 C-1 YORKFIELD 2.83GHz 1333MHZ FSB 12M L2 (models CTO)	45C7739	N
2	Microprocessor, Core 2 Quad Q9450 C-1 YORKFIELD 2.66GHz 1333MHZ FSB 12M L2 (models CTO)	45C7740	N
2	Microprocessor, Core 2 Quad Q9300 M-1 YORKFIELD 2.5GHz 1333MHZ FSB 6M L2 (models CTO)	45C7741	N
2	Microprocessor, Core 2 Duo E8300 C-0 WOLFDAL E 2.83GHz 1333MHZ FSB 6M L2 (models CTO)	45C7737	N
2	Microprocessor, Core 2 Duo E7300 M-0 2.66GHz 1066MHz FSB 3M L2 (models CTO)	46R1622	N
2	Microprocessor, Core 2 Duo E7200 M-0 2.53GHz 1066MHz FSB 3M L2 (models CTO)	45R8337	N
2	Microprocessor, Core 2 Duo E4700 G-0 2.6GHz 800MHz FSB 2M L2 (models CTO)	45R5786	N
2	Microprocessor, Celeron Dual Core E1400 M-0 2.0GHz 800MHz FSB 512K L2 (models CTO)	45R8339	N
2	Microprocessor, Celeron Dual Core E1200 M-0 1.6GHz 800MHz FSB 512K L2, LGA, EM64T - NPI (models CTO)	45R8341	N
2	Microprocessor, Core 2 Duo E8600 E-0 WOLFDAL E 3.33GHz 1333MHZ FSB 6M L2 (models CTO)	46R8640	N
2	Microprocessor, Pentium Dual Core E5200 M-0 WOLFDAL E 2.5GHz 800MHZ FSB 2M L2 (models CTO)	46R9512	N
6	Memory module,512 MB PC-5300 (667MHz) DDR2 SDRAM (models)	41X4255	2
6	Memory module,1 GB PC-5300 (667MHz) DDR2 SDRAM (models AAU AAF AAS AAP AAL AAD AAY AAG AAM AAA AAQ AAT AAC AAB AAH AAV AAK AAR AAE AAJ)	41X4256	2
6	Memory module,2 GB PC-5300 (667MHz) DDR2 SDRAM (models)	41X4257	2
6	Memory module,512 MB PC2-6400 (800MHz) DDR2 SDRAM (models)	41X1079	2
6	Memory module,1GB PC-6400 (800MHz) DDR2 SDRAM (models)	41X1080	2
6	Memory module,2GB PC-6400 (800MHz) DDR2 SDRAM (models)	41X1081	2
7	System board, Intel G31 nano-BTX GA Level (models AAU AAF AAS AAP AAL AAD AAY AAG AAM AAA AAQ AAT AAC AAB AAH AAV AAK AAR AAE AAJ)	53Y5125	N
8	Power supply,280W Active PFC power supply for 10L---all countries (models AAU AAF AAS AAP AAL AAD AAY AAG AAM AAA AAQ AAT AAC AAB AAH AAV AAK AAR AAE AAJ)	41A9701	2
8	Power supply,280W 80+ power supply for 10L---all countries (models AAU AAF AAS AAP AAL AAD AAY AAG AAM AAA AAQ AAT AAC AAB AAH AAV AAK AAR AAE AAJ)	41A9717	2

The FRUs listed in the following tables are not illustrated.

7066 FRUs	FRU#	CRU
Power switch/LED cable assembly (all models)	41R3391	2
USB cable assembly (all models)	41R3392	2
SATA cable, 120mm (all models)	41R3328	2
SATA cable, 700mm (all models)	39K5026	2
Speaker/Cable assembly (all models)	39K5012	2

7066 FRUs	FRU#	CRU
Temperature Sense cable (460 mm) (all models)	41R2509	2
System Fan (all models)	41R6042	2
System Fan assembly (all models)	41R6249	2
Floor Stand and Vertical Deflector (all models)	41R6251	1
Cpu Support Module (all models)	41R6252	N
HDD Tray assembly (all models)	41R6253	2
Internal Plastic (all models)	41R6254	2
Bezel, Plastic (all models)	41R6255	2
Front rotating cage assembly (all models)	41R6256	N
Top cover assembly (all models)	41R6257	2
L1-C2 intrusion switch (all models)	39K5022	2
ReII IO shield BTX atlantic (all models)	41R6381	N
C2 Intrusion Switch (all models)	39K5022	2
Intel 95W/65W heatsink Kit (all models)	41R6039	2
Chassis atlantic (all models)	41R6275	N
10L FRONT I/O CABLE (models)	43N9015	2
Cabel-SATA 700mm (RoHS) (models)	43N9011	2
Universal Adapter Bracket 5.25 to 3.5 (models)	43N9361	2
ODD mounting kit (models)	43N9362	2
Cardreader Bezel Kit (models)	43N9363	2
FDD Retainer, 607AT, SFF (LX-607) (all models)	43N9681	2
Vertical Stand, Tampa/607CT (all models)	43N9644	N
HDD bracket ASM (all models)	43N9690	2
HDD bracket with cover b, for Toyota, Flex (all models)	43N9691	2
Fru,Tamdhu chassis primary HDD cage (all models)	45K6272	1
Fru,Tamdhu ruber foot(For acoustic improvement) (all models)	45K6278	2
BATTERY 3V-LITHIUM (TOWER,ROCKYS,LX-607) (models AAU AAF AAS AAP AAL AAD AAY AAG AAM AAA AAQ AAT AAC AAB AAH AAV AAK AAR AAE AAJ)	45C1566	N

7066 Keyboard (Lenovo USB Preferred -- without hub)	FRU#	CRU Tier
US English (models)	41A5039	1
Arabic (models)	41A5040	1
Arabic/French (models)	41A5041	1
Belgian/French (models)	41A5042	1
Belgian/English (models)	41A5043	1
Brazilian Portuguese (models)	41A5044	1
Bulgarian (models)	41A5045	1
Chinese/US (models)	41A5046	1
Czech (models)	41A5047	1

7066 Keyboard (Lenovo USB Preferred -- without hub)	FRU#	CRU Tier
Danish (models)	41A5048	1
Dutch (models)	41A5049	1
French (models)	41A5050	1
French Canadian (models)	41A5051	1
French Canadian (models)	41A5052	1
German (models)	41A5053	1
Greek (models)	41A5054	1
Greek/US (models)	41A5080	1
Hebrew (models)	41A5055	1
Hungarian (models)	41A5056	1
Iceland (models)	41A5057	1
Italian (models)	41A5058	1
Japanese (models)	41A5059	1
Korean (models)	41A5060	1
LA Spanish (models)	41A5061	1
Norwegian (models)	41A5062	1
Polish (models)	41A5063	1
Portuguese (models)	41A5064	1
Romanian (models)	41A5065	1
Russian/Cyrillic (models)	41A5066	1
Serbian/Cyrillic (models)	41A5067	1
Slovak (models)	41A5068	1
Spanish (models)	41A5069	1
Swedish/Finnish (models)	41A5070	1
Swiss (models)	41A5071	1
Thailand (models)	41A5072	1
Turkish (models)	41A5073	1
Turkish (models)	41A5074	1
UK English (models)	41A5075	1
US Euro (models)	41A5076	1
Slovenian (models)	41A5077	1

7066 Keyboard (Lenovo USB Preferred -- without hub)	FRU#	CRU Tier
US English (models AAU AAG AAM AAA AAQ AAH AAR AAE)	41A5289	1
Arabic (models AAG)	41A5290	1
Arabic/French (models)	41A5291	1
Belgian French (models AAG)	41A5292	1
Belgium English (models AAG)	41A5293	1

7066 Keyboard (Lenovo USB Preferred -- without hub)	FRU#	CRU Tier
Brazilian Portuguese (models AAP)	41A5294	1
Bulgarian (models AAG)	41A5295	1
Chinese/US (models AAB AAV)	41A5296	1
Czech (ABB) (models AAG)	41A5297	1
Danish (models AAG)	41A5298	1
Dutch (models AAG)	41A5299	1
French (models AAG)	41A5300	1
French Canadian (models AAF)	41A5301	1
French Canadian (models AAF)	41A5302	1
German (models AAG)	41A5303	1
Greek (models AAG)	41A5304	1
Greek/US (models AAG)	41A5305	1
Hebrew (models AAG)	41A5306	1
Hungarian (models AAG)	41A5307	1
Iceland (models AAG)	41A5308	1
Italian (models AAG)	41A5309	1
Japanese (models AAJ)	41A5310	1
Korean (models AAK)	41A5311	1
LA Spanish (models AAS AAD AAY)	41A5312	1
Norwegian (models AAG)	41A5313	1
Polish (models AAG)	41A5314	1
Portuguese (models AAG)	41A5315	1
Romanian (models AAG)	41A5317	1
Russian/Cyrillic (models AAG)	41A5318	1
Serbian/Cyrillic (models AAG)	41A5319	1
Slovak (models AAG)	41A5320	1
Spanish (models AAG)	41A5321	1
Swedish/Finnish (models AAG)	41A5322	1
Swiss French/German (models AAG)	41A5323	1
Thailand (models AAT)	41A5324	1
Turkish (models AAG)	41A5325	1
Turkish (models AAG)	41A5326	1
UK English (models AAG)	41A5327	1
US Euro (models AAG)	41A5328	1
Slovenian (models AAG)	41A5329	1

7066 Keyboard (Lenovo Enhanced Perf, USB Preferred -- with hub)	FRU#	CRU Tier
US English (models)	41A4961	1
Arabic (models)	41A4962	1
Arabic/French (models)	41A4963	1
Belgian/French (models)	41A4964	1
Belgium English (models)	41A4965	1
Brazilian Portuguese (models)	41A4966	1
Bulgarian (models)	41A4967	1
Chinese/US (models)	41A4968	1
Czech (ABB) (models)	41A4969	1
Danish (models)	41A4970	1
Dutch (models)	41A4971	1
French (models)	41A4972	1
French Canadian (models)	41A4973	1
French Canadian (models)	41A4974	1
German (models)	41A4975	1
Greek (models)	41A4976	1
Greek/US (models)	41A5078	1
Hebrew (models)	41A4977	1
Hungarian (models)	41A4978	1
Iceland (models)	41A4979	1
Italy (models)	41A4980	1
Japanese (models)	41A4981	1
Korean (models)	41A4982	1
LA Spanish (models)	41A4983	1
Norwegian (models)	41A4984	1
Polish (models)	41A4985	1
Portuguese (models)	41A4986	1
Romanian (models)	41A4987	1
Russian/Cyrillic (models)	41A4988	1
Serbian/Cyrillic (models)	41A4989	1
Slovak (models)	41A4990	1
Spanish (models)	41A4991	1
Swedish/Finnish (models)	41A4992	1
Swiss French/German (models)	41A4993	1
Thailand (models)	41A4994	1
Turkish (models)	41A4995	1
Turkish (models)	41A4996	1
UK English (models)	41A4997	1

7066 Keyboard (Lenovo Enhanced Perf, USB Preferred -- with hub)	FRU#	CRU Tier
US Euro (models)	41A4998	1
Slovenian (models)	41A4999	1

7066 Keyboard (Lenovo Fingerprint Reader USB)	FRU#	CRU Tier
US English (models)	41A5248	1
Arabic (models)	41A5249	1
Arabic/French (models)	41A5250	1
Belgian French (models)	41A5251	1
Belgium English (models)	41A5252	1
Brazilian Portuguese (models)	41A5253	1
Bulgarian (models)	41A5254	1
Chinese/US (models)	41A5255	1
Czech (ABB) (models)	41A5256	1
Danish (models)	41A5257	1
Dutch (models)	41A5258	1
French (models)	41A5259	1
French Canadian (models)	41A5260	1
French Canadian (models)	41A5261	1
German (models)	41A5262	1
Greek (models)	41A5263	1
Greek/US (models)	41A5264	1
Hebrew (models)	41A5265	1
Hungarian (models)	41A5266	1
Iceland (models)	41A5267	1
Italy (models)	41A5268	1
Japanese (models)	41A5269	1
Korean (models)	41A5270	1
LA Spanish (models)	41A5271	1
Norwegian (models)	41A5272	1
Polish (models)	41A5273	1
Portuguese (models)	41A5274	1
Romanian (models)	41A5276	1
Russian/Cyrillic (models)	41A5277	1
Serbian/Cyrillic (models)	41A5278	1
Slovak (models)	41A5279	1
Spanish (models)	41A5280	1
Swedish/Finnish (models)	41A5281	1
Swiss French/German (models)	41A5282	1

7066 Keyboard (Lenovo Fingerprint Reader USB)	FRU#	CRU Tier
Thailand (models)	41A5283	1
Turkish (models)	41A5284	1
Turkish (models)	41A5285	1
UK English (models)	41A5286	1
US Euro (models)	41A5287	1
Slovenian (models)	41A5288	1

7066 mice	FRU#	CRU
Optical Wheel Mouse (400DPI, USB) (models AAU AAF AAS AAP AAL AAD AAY AAG AAM AAA AAQ AAT AAC AAB AAH AAV AAK AAR AAE AAJ)	41U3013	1
Optical Wheel Mouse (400DPI, USB) (models AAU AAF AAS AAP AAL AAD AAY AAG AAM AAA AAQ AAT AAC AAB AAH AAV AAK AAR AAE AAJ)	41U3030	1
PS/2 Three Button ball mouse (41R0017) (models)	41R0018	1

7066 Adapters and miscellaneous FRUs	FRU#	CRU
USB Memory Key (models)	43R2296	2
USB Memory Key - 1G RoW (models)	41U4978	1
Soft Modem V.90/V.44 SFF (models CTO)	46R4220	2
IEEE 1394 Firewire Adapter SFF (models)	41D2781	2
Internal USB Memory Card Reader Slim (models)	45R1885	1
ATI HD 2400PRO 128MB 64BIT DMS59 LP (models)	43C0259	2
ATI HD 2400XT 256MB 64BIT DMS59 ATX (models)	43C0260	2
ADD2 DVI Adapter,LP (HDCP) (models)	43C0258	2
DVI-I connection Adapter Full Height (models)	39J9334	2
Speaker Power brick - US, Canada, LA low voltage, ASEAN (models AAU AAS AAA)	89P8571	1
Speaker Power brick - LA high voltage (non-APU) (models AAD AAY)	89P8575	1
Speaker Power brick - China, Thailand (models AAC AAT)	89P8581	1
Speaker Power brick - Japan (models AAJ)	89P8577	1
Speaker Power brick - Brazil (models AAP)	89P8583	1
Speaker Power brick - Argentina (models)	41A4901	1
Speaker Power brick - ANZ (models AAM)	89P8579	1
Speaker Brick - Korea (models AAK)	41A4903	1
Speaker Brick - Hong Kong, EMEA (models AAB AAH)	89P8573	1
Speaker Brick - Taiwan (models AAV)	41A4905	1
Speaker Power brick - India, South Africa (models AAQ)	89P8585	1
Dongle DMS Dule DMS-59 to dual VGA Cable(models)	42Y8181	2
Dongle DMS Dule DMS-59 to dual DVI Cable (models)	41X6398	2

9356 Line Cords	FRU#	CRU
Line cord - US (models AAU AAF AAS AAD AAL AAA AAT)	41R3184	1
Line cord - US (models AAU AAF AAS AAD AAL AAA AAT)	41R3185	1
Line cord - China (models AAC)	41R3256	1
Line cord - China (models AAC)	41R3257	1
Line cord - Brazil (models AAP)	41R3270	1
Line cord - Brazil (models AAP)	41R3271	1
Line cord - LA High Volt APU (models AAS)	41R3176	1
Line Cord - LA High Volt APU (models AAS)	41R3177	1
Line Cord - Korea (models AAK)	41R3260	1
Line Cord - Korea (models AAK)	41R3261	1
Line Cord - UK, Ireland, Singapore, Malaysia, Brunei (models AAG AAA)	41R3224	1
Line Cord - UK, Ireland, Singapore, Malaysia, Brunei (models AAG AAA)	41R3225	1
Line Cord - Taiwan (models AAV)	41R3278	1
Line Cord - Taiwan (models AAV)	41R3279	1
Line Cord - Italy (models AAS AAY AAL AAG)	41R3232	1
Line Cord - Italy (models AAS AAY AAL AAG)	41R3233	1
Line Cord - Indonesia, Laos, Cambodia, and Vietnam (models AAG AAA)	41R3208	1
Line Cord - Indonesia, Laos, Cambodia, and Vietnam (models AAG AAA)	41R3209	1
Line Cord - Denmark (models AAG)	41R3212	1
Line Cord - Denmark (models AAG)	41R3213	1
Line Cord - Switzerland (models AAG)	41R3228	1
Line Cord - Switzerland (models AAG)	41R3229	1
Line Cord - Israel (models AAG)	41R3236	1
Line Cord - Israel (models AAG)	41R3237	1
Line Cord - South Africa (models AAG AAM AAA)	41R3220	1
Line Cord - South Africa (models AAG AAM AAA)	41R3221	1
Line Cord - India (models AAQ)	41R3341	1
Line Cord - India (models AAQ)	41R3175	1
Line Cord - Japan (models AAJ)	41R3248	1
Line Cord - Japan (models AAJ)	41R3249	1
Line Cord - ANZ (models AAM)	41R3196	1
Line Cord - ANZ (models AAM)	41R3197	1
Line Cord - Hong Kong (models AAB AAH)	41R3224	1
Line Cord - Hong Kong (models AAB AAH)	41R3225	1

7066 Windows XP Home Recovery CDs	FRU#	CRU
US/UK/AP/TH (models)	TBD	1
FR/CF (models)	TBD	1
GR (models)	TBD	1

7066 Windows XP Home Recovery CDs	FRU#	CRU
IT (models)	TBD	1
BR (models)	TBD	1
SP/LA (models)	TBD	1
DK (models)	TBD	1
NL (models)	TBD	1
AE (models)	TBD	1
SV (Swedish)(models)	TBD	1
HE (models)	TBD	1
FI (models)	TBD	1
NO (models)	TBD	1
PL (models)	TBD	1
PO (models)	TBD	1
RU (models)	TBD	1
RE (models)	TBD	
HU (models)	TBD	1
CZ (models)	TBD	1
TR (models)	TBD	1
GK (models)	TBD	1
Japanese (models)	TBD	1
Simplified Chinese (models)	TBD	1
Taiwan-TC (models)	TBD	1
Hong Kong-TC (models)	TBD	1
Korean (models)	TBD	1

7066 Windows XP Pro Recovery CDs	FRU#	CRU
US/UK/AP/TH (models)	45R0756	1
FR/CF (models)	45R0759	1
GR (models)	45R0760	1
IT (models)	45R0762	1
BR (models)	45R0763	1
SP/LA (models)	45R0761	1
DK (models)	45R0764	1
NL (models)	45R0767	1
AE (models)	45R2342	1
SV (Swedish) (models)	45R0765	1
HE (models)	45R2334	1
FI (models)	45R0766	1
NO (models)	45R0770	1
PL (models)	45R0777	1

7066 Windows XP Pro Recovery CDs	FRU#	CRU
PO (models)	45R0774	1
RU (models)	45R0773	1
RE (models)	45R2318	1
HU (models)	45R0780	1
CZ (models)	45R0776	1
TR (models)	45R0775	1
GK (models)	45R0772	1
SL (models)	45R2326	1
Japanese (models)	45R0757	1
Simplified Chinese (models)	45R0758	1
Taiwan-TC (models)	45R0768	1
Hong Kong-TC (models)	45R0769	1
Korean (models)	45R0771	1
Multilingual 1 XP-Pro -- EN, NL, FR, GR, IT (models)	45R8246	1
Multilingual 2 XP-Pro -- EN, DK, FI, NO, SV (models)	45R8247	1

7066 Vista Home Basic 32 SP1 Recovery DVDs	FRU#	CRU
English (models)	46R7273	1
Japanese (models)	46R7274	1
Simplified Chinese (models)	46R7275	1
French (models)	46R7276	1
German (models)	46R7277	1
Spanish (models)	46R7278	1
Italian (models)	46R7279	1
Brazilian Portuguese (models)	46R7280	1
Danish (models)	46R7281	1
Swedish (models)	45R9758	1
Finland (models)	45R9759	1
Dutch (models)	45R9760	1
Traditional Chinese (models)	46R7282	1
Hong Kong (models)	46R7283	1
Norwegian (models)	46R7284	1
Korean (models)	45R9764	1
Slovenian (models)	45R9765	1
Greek (models)	45R9766	1
Russian (models)	46R7285	1
Portuguese (models)	45R9768	1
Turkish (models)	45R9769	1
Czech (models)	45R9770	1

7066 Vista Home Basic 32 SP1 Recovery DVDs	FRU#	CRU
Polish (models)	45R9771	1
Russian English (models)	46R7286	1
Arabic Localized (models)	45R9773	1
Hebrew (models)	45R9774	1
Hungarian (models)	45R9775	1
Slovakian (models)	45R9776	1

7066 Vista Business 32 SP1 Recovery DVDs	FRU#	CRU
English (models AAU AAG AAM AAQ AAA AAH AAR AAE)	46R7287	1
Japanese (models AAJ)	46R7288	1
Simplified Chinese (models AAC)	46R7289	1
French (models AAG AAF)	46R7290	1
German (models AAG)	46R7291	1
Spanish (models AAG)	46R7292	1
Italian (models AAG)	46R7293	1
Brazilian Portuguese (models AAP)	46R7294	1
Danish (models AAG)	46R7295	1
Swedish (models AAG)	45R9786	1
Finland (models AAG)	45R9787	1
Dutch (models AAG)	45R9788	1
Traditional Chinese (models AAV)	46R7296	1
Hong Kong (models AAB)	46R7297	1
Norwegian (models AAG)	46R7298	1
Korean (models AAK)	45R9792	1
Slovenian (models AAG)	45R9793	1
Greek (models AAG)	45R9794	1
Russian (models AAG)	46R7299	1
Portuguese (models AAG)	45R9796	1
Turkish (models AAG)	45R9797	1
Czech (models AAG)	45R9798	1
Polish (models AAG)	45R9799	1
Russian English (models AAG)	46R7300	1
Arabic Localized (models)	45R9801	1
Hebrew (models AAG)	45R9802	1
Romanian (models AAG)	45R9803	1
Hungarian (models AAG)	45R9804	1
Slovakian (models AAG)	45R9805	1
Serbian-Latin (models)	45R9806	1

7066 Vista VHP SP1 Recovery DVDs	FRU#	CRU
English (models)	46R7315	1
Japanese (models)	46R7316	1
Simplified Chinese (models)	46R7317	1
French (models)	46R7318	1
German (models)	46R7319	1
Spanish (models)	46R7320	1
Italian (models)	46R7321	1
Brazilian Portuguese (models)	46R7322	1
Danish (models)	46R7323	1
Swedish (models)	45R9844	1
Finland (models)	45R9845	1
Dutch (models)	45R9846	1
Traditional Chinese (models)	46R7324	1
Hong Kong (models)	46R7325	1
Norwegian (models)	46R7326	1
Korean (models)	45R9850	1
Slovenian (models)	45R9851	1
Greek (models)	45R9852	1
Russian (models)	46R7327	1
Portuguese (models)	45R9854	1
Turkish (models)	45R9855	1
Czech (models)	45R9856	1
Polish (models)	45R9857	1
Russian English (models)	46R7328	1
Arabic Localized (models)	45R9859	1
Hebrew (models)	45R9860	1
Romanian (models)	45R9861	1
Hungarian (models)	45R9862	1
Slovakian (models)	45R9863	1
Serbian-Latin (models)	45R9864	1

7066 Vista Business 64 SP1 Recovery DVDs	FRU#	CRU
English (models)	46R7301	1
Russian English (models)	46R7302	1
French (models)	46R7303	1
German (models)	46R7304	1
Spanish (models)	46R7305	1
Brazilian Portuguese (models)	46R7306	1
Italian (models)	46R7307	1

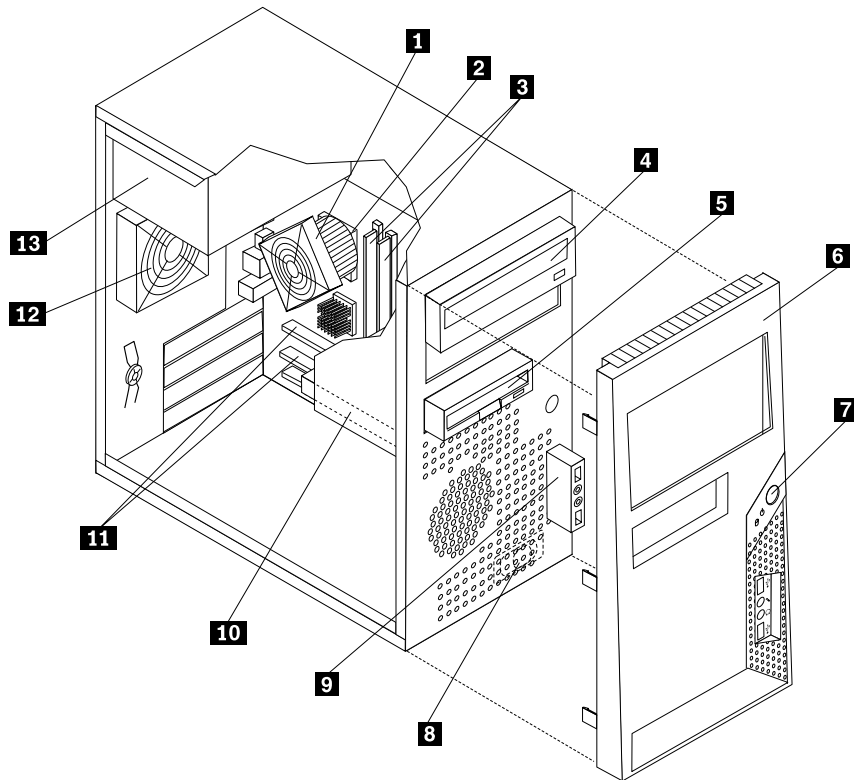
7066 Vista Business 64 SP1 Recovery DVDs	FRU#	CRU
Japanese (models)	46R7308	1
Norwegian (models)	46R7309	1
Swedish (models)	45R9816	1
Danish (models)	45R9817	1
Dutch (models)	45R9818	1
Czech (models)	46R7310	1
Finnish (models)	46R7311	1
Polish (models)	46R7312	1
Russian (models)	45R9822	1
Turkish (models)	45R9823	1
Hungarian (models)	45R9824	1
Greek (models)	45R9825	1
Simplified Chinese (models)	46R7313	1
Taiwan (models)	45R9827	1
HongKong (models)	45R9828	1
Korea (models)	45R9829	1
Slovenian (models)	46R7314	1
Portuguese (models)	45R9831	1
Arabic Localized (models)	45R9832	1
Hebrew (models)	45R9833	1
Slovakian (models)	45R9834	1

7066 Vista Ultimate 32 SP1 Recovery DVDs	FRU#	CRU
English (models)	46R7329	1
Japanese (models)	46R7330	1
Simplified Chinese (models)	46R7331	1
French (models)	46R7332	1
German (models)	46R7333	1
Spanish (models)	46R7334	1
Italian (models)	46R7335	1
Brazilian Portuguese (models)	46R7336	1
Danish (models)	46R7337	1
Swedish (models)	45R9874	1
Finland (models)	45R9875	1
Dutch (models)	45R9876	1
Traditional Chinese (models)	46R7338	1
Hong Kong (models)	46R7339	1
Norwegian (models)	46R7340	1
Korean (models)	45R9880	1

7066 Vista Ultimate 32 SP1 Recovery DVDs	FRU#	CRU
Slovenian (models)	45R9881	1
Greek (models)	45R9882	1
Russian (models)	46R7341	1
Portuguese (models)	45R9884	1
Turkish (models)	45R9885	1
Czech (models)	45R9886	1
Polish (models)	45R9887	1
Russian English (models)	46R5089	1
Arabic Localized (models)	46R7342	1
Hebrew (models)	45R9890	1
Hungarian (models)	45R9891	1
Slovakian (models)	45R9892	1

7066 Vista Starter 32 Recovery DVDs	FRU#	CRU
English (models)	46R5059	1

Machine Type 7094



Item #	7094 FRUs	FRU#	CRU Tier
1	Intel 65W/95W Heatsink Kit (Tower) (all models)	41R6429	2
2	Microprocessor, Celeron 420 CONROE-L 800/1600MHZ-512K,LGA,EM64T (models)	43C3835	N

Item #	7094 FRUs	FRU#	CRU Tier
2	Microprocessor, Celeron 430 CONROE-L 800/1800MHZ-512K,LGA,EM64T (models)	43C1964	N
2	Microprocessor, Celeron 440 CONROE-L 800/2000MHZ-512K,LGA,EM64T (models)	43C1965	N
2	Microprocessor, Pentium Dual-core E2140 CONROE-L 800/1600MHZ-1M, LGA, EM64T (models)	43C1967	N
2	Microprocessor, Pentium Dual-core E2160 CONROE-L 800/1800MHZ-1M, LGA, EM64T (models)	43C1968	N
2	Microprocessor, Core 2 Duo E4400 L2 CONROE 800/2000MHZ-2M, LGA, EM64T (models)	43C2056	N
2	Microprocessor, Core 2 Duo E6400 B2 CONROE 1066/2130MHZ-2M, LGA, EM64T L2 Value (models)	41X2496	N
2	Microprocessor, Pentium Dual-core E2200 CONROE-L 800/2200MHZ-1M, LGA, EM64T - NPI (models CTO)	45C5349	N
2	Microprocessor, Pentium Dual-core E2180 CONROE-L 800/2000MHZ-1M, LGA, EM64T - NPI (models CTO)	45C1773	N
2	Microprocessor, Pentium Dual-core E2220 CONROE-L 800/2400MHZ-1M, LGA, EM64T - NPI (models CTO)	45C1774	N
2	Microprocessor, Core 2 Duo E4600 M0 CONROE 800/2400MHZ-2M, LGA, EM64T - NPI (models CTO)	45C5282	N
2	Microprocessor, Core 2 Duo E4500 M0 CONROE 800/2200MHZ-2M, LGA, EM64T (models CTO)	43C6305	N
2	Microprocessor, Core 2 Duo E6850 G0 CONROE 1333/3000MHZ-4M, LGA, EM64T (models CTO)	43C1694	N
2	Microprocessor, Core 2 Duo E6750 G0 CONROE 1333/2660MHZ-4M, LGA, EM64T (models CTO)	43C1693	N
2	Microprocessor, Core 2 Duo E6550 G0 CONROE 1333/2330MHZ-4M, LGA, EM64T (models CTO)	43C3833	N
2	Microprocessor, Core 2 Quad G-0 Q6700 KENTSFIELD 1066/2660MHZ-8M (models CTO)	43C6309	N
2	Microprocessor, Core 2 Quad G-0 Q6600 KENTSFIELD 1066/2400MHZ-8M (models CTO)	43C1695	N
2	Microprocessor, Core 2 Duo E8500 WOLFDAL E 1333/3160MHZ-6M (models CTO)	45C7735	N
2	Microprocessor, Core 2 Duo E8400 WOLFDAL E 1333/3000MHZ-6M (models CTO)	45C7736	N
2	Microprocessor, Core 2 Duo E8200 WOLFDAL E 1333/2660MHZ-6M (models CTO)	45C7738	N
2	Microprocessor, Core 2 Duo E8190 WOLFDAL E 1333/2660MHZ-6M - NON VT/Vpro (models CTO)	45R2568	N
2	Microprocessor, Core 2 Quad Q9550 C-1 YORKFIELD 2.83GHz 1333MHZ FSB 12M L2 (models CTO)	45C7739	N
2	Microprocessor, Core 2 Quad Q9450 C-1 YORKFIELD 2.66GHz 1333MHZ FSB 12M L2 (models CTO)	45C7740	N
2	Microprocessor, Core 2 Quad Q9300 M-1 YORKFIELD 2.5GHz 1333MHZ FSB 6M L2 (models CTO)	45C7741	N
2	Microprocessor, Core 2 Duo E8300 C-0 WOLFDAL E 2.83GHz 1333MHZ FSB 6M L2 (models CTO)	45C7737	N
2	Microprocessor, Core 2 Duo E7300 M-0 2.66GHz 1066MHz FSB 3M L2 (models CTO)	46R1622	N
2	Microprocessor, Core 2 Duo E7200 M-0 2.53GHz 1066MHz FSB 3M L2 (models CTO)	45R8337	N

Item #	7094 FRUs	FRU#	CRU Tier
2	Microprocessor, Core 2 Duo E4700 G-0 2.6GHz 800MHz FSB 2M L2 (models CTO)	45R5786	N
2	Microprocessor, Celeron Dual Core E1400 M-0 2.0GHz 800MHz FSB 512K L2 (models CTO)	45R8339	N
2	Microprocessor, Celeron Dual Core E1200 M-0 1.6GHz 800MHz FSB 512K L2, LGA, EM64T - NPI (models CTO)	45R8341	N
2	Microprocessor, Core 2 Duo E8600 E-0 WOLFDAL E 3.33GHz 1333MHZ FSB 6M L2 (models CTO)	46R8640	N
3	Memory module, 512 MB PC-5300 (667MHz) DDR2 SDRAM (models)	41X4255	2
3	Memory module, 1 GB PC-5300 (667MHz) DDR2 SDRAM (models AAU AAF AAS AAP AAL AAD AAY AAG AAM AAA AAQ AAT AAC AAB AAH AAV AAK AAR AAE AAJ)	41X4256	2
3	Memory module, 2 GB PC-5300 (667MHz) DDR2 SDRAM (models)	41X4257	2
3	Memory module, 512 MB PC2-6400 (800MHz) DDR2 SDRAM (models)	41X1079	2
3	Memory module, 1GB PC-6400 (800MHz) DDR2 SDRAM (models)	41X1080	2
3	Memory module, 2GB PC-6400 (800MHz) DDR2 SDRAM (models)	41X1081	2
4	DVD-ROM Drive - 16x/48x - SATA Vista & non-Vista (models)	41N3325	2
4	DVD-ROM Drive - DVD-ROM/CD-RW Combo Drive - 48x/32x/48x/16x - SATA Vista & non-Vista (models AAU AAF AAS AAP AAL AAD AAY AAG AAM AAA AAQ AAT AAC AAB AAH AAV AAK AAR AAE AAJ)	42Y9353	2
4	DVD-ROM Drive - DVD-RW/CD-RW Rambo 8 - SATA Vista & non-Vista (models)	43C1042	2
5	Diskette drive, 3.5" 1.44MB 2 Mode FDD with Bezel and cable (models)	40Y9107	2
5	Diskette drive, 3.5" 1.44MB 2 Mode FDD with Bezel and cable (models)	40Y9105	2
6	Bezel assembly without IBM mark(all models)	41R6243	2
7	Power switch/LED assembly (all models)	41N5284	2
8	Speaker assembly, soldered terminals (all models)	39P5023	2
9	Front audio/USB assembly (all models)	41N8054	2
10	Hard disk drive, SATA 80GB 7200RPM/3Gb/8MB (models)	40Y9034	2
10	Hard disk drive, SATA 160GB 7200RPM/3Gb/8MB (models AAU AAF AAS AAP AAL AAD AAY AAG AAM AAA AAQ AAT AAC AAB AAH AAV AAK AAR AAE AAJ)	40Y9035	2
10	Hard disk drive, SATA 320GB 7200rpm SATA/8MB (models)	87H4891	2
11	System board , Intel G31 mATX GA Level (models AAU AAF AAS AAP AAL AAD AAY AAG AAM AAA AAQ AAT AAC AAB AAH AAV AAK AAR AAE AAJ)	53Y3282	N
12	Fan, 4 Pin System Fan (all models)	41R6269	2
13	Power supply, ATX 280W Power supply; Robust; for all countries except for JP (models AAU AAF AAS AAP AAL AAD AAY AAG AAM AAA AAQ AAT AAC AAB AAH AAV AAK AAR AAE AAJ)	41A9684	2
13	Power supply, ATX 280W 80% power supply;for all countries (models)	41A9665	2
13	Power supply, ATX 310W Power supply Robust; for all countries (models AAU AAF AAS AAP AAL AAD AAY AAG AAM AAA AAQ AAT AAC AAB AAH AAV AAK AAR AAE AAJ)	41A9726	2

The FRUs listed in the following tables are not illustrated.

7094 FRUs	FRU#	CRU Tier
Shield, 5.25 EMC (all models)	41N8080	2
Cable, SATA 457mm (RoHs) (all models)	43N9013	2
Cable, SATA 250mm (RoHs) (all models)	43N9012	2
Shield, diskette drive EMC (all models)	41N8078	2
Cable, Diskette drive (RoHs) (all models)	41A7182	2
Cover, left side (all models)	41N8050	2
Retainer, Card Reader (all models)	41R2913	2
Fan, front (all models)	41R4791	2
Optional HDD Bracket Asm, without 4Pin cable (all models)	41R6106	2
Intrusion Switch asm (all models)	41R6116	2
Hard disk drive tray (all models)	41R6291	2
Planer shield, Atx 946, with usb number (all models)	41R6378	N
Temperature Sense cable (460 mm) (all models)	41R2509	2
Asm Chassis Without IBM Mark (all models)	41R6408	2
Card reader retainer (models)	43N9351	2
Blank 5.25" Bezel (models)	41N8077	3
Fru,Tamdhu chassis primary HDD cage (all models)	45K6272	1
Fru,Tamdhu ruber foot(For acoustic improvement) (all models)	45K6278	2
BATTERY 3V-LITHIUM (TOWER,ROCKYS,LX-607) (models AAU AAF AAS AAP AAL AAD AAY AAG AAM AAA AAQ AAT AAC AAB AAH AAV AAK AAR AAE AAJ)	45C1566	N

Keyboard (Lenovo USB Preferred -- without hub)	FRU#	CRU Tier
US English (models)	41A5039	1
Arabic (models)	41A5040	1
Arabic/French (models)	41A5041	1
Belgian/French (models)	41A5042	1
Belgian/English (models)	41A5043	1
Brazilian Portuguese (models)	41A5044	1
Bulgarian (models)	41A5045	1
Chinese/US (models)	41A5046	1
Czech (models)	41A5047	1
Danish (models)	41A5048	1
Dutch (models)	41A5049	1
French (models)	41A5050	1
French Canadian (models)	41A5051	1
French Canadian (models)	41A5052	1
German (models)	41A5053	1

Keyboard (Lenovo USB Preferred -- without hub)	FRU#	CRU Tier
Greek (models)	41A5054	1
Greek/US (models)	41A5080	1
Hebrew (models)	41A5055	1
Hungarian (models)	41A5056	1
Iceland (models)	41A5057	1
Italian (models)	41A5058	1
Japanese (models)	41A5059	1
Korean (models)	41A5060	1
LA Spanish (models)	41A5061	1
Norwegian (models)	41A5062	1
Polish (models)	41A5063	1
Portuguese (models)	41A5064	1
Romanian (models)	41A5065	1
Russian/Cyrillic (models)	41A5066	1
Serbian/Cyrillic (models)	41A5067	1
Slovak (models)	41A5068	1
Spanish (models)	41A5069	1
Swedish/Finnish (models)	41A5070	1
Swiss (models)	41A5071	1
Thailand (models)	41A5072	1
Turkish (models)	41A5073	1
Turkish (models)	41A5074	1
UK English (models)	41A5075	1
US Euro (models)	41A5076	1
Slovenian (models)	41A5077	1

Keyboard (Lenovo USB Preferred -- without hub)	FRU#	CRU Tier
US English (models AAU AAG AAM AAA AAQ AAH AAR AAE)	41A5289	1
Arabic (models AAG)	41A5290	1
Arabic/French (models)	41A5291	1
Belgian/French (models AAG)	41A5292	1
Belgian/UK (models AAG)	41A5293	1
Brazilian Portuguese (models AAP)	41A5294	1
Bulgarian (models AAG)	41A5295	1
Chinese/US (models AAB AAV)	41A5296	1
Czech (models AAG)	41A5297	1
Danish (models AAG)	41A5298	1
Dutch (models AAG)	41A5299	1

Keyboard (Lenovo USB Preferred -- without hub)	FRU#	CRU Tier
French (models AAG)	41A5300	1
French Canadian (models AAF)	41A5301	1
French Canadian (models AAF)	41A5302	1
German (models AAG)	41A5303	1
Greek (models AAG)	41A5304	1
Greek/US (models AAG)	41A5305	1
Hebrew (models AAG)	41A5306	1
Hungarian (models AAG)	41A5307	1
Iceland (models AAG)	41A5308	1
Italian (models AAG)	41A5309	1
Japanese (models AAJ)	41A5310	1
Korean (models AAK)	41A5311	1
LA Spanish (models AAS AAD AAY)	41A5312	1
Norwegian (models AAG)	41A5313	1
Polish (models AAG)	41A5314	1
Portuguese (models AAG)	41A5315	1
Romanian (models AAG)	41A5317	1
Russian/Cyrillic (models AAG)	41A5318	1
Serbian/Cyrillic (models AAG)	41A5319	1
Slovak (models AAG)	41A5320	1
Spanish (models AAG)	41A5321	1
Swedish/Finnish (models AAG)	41A5322	1
Swiss (models AAG)	41A5323	1
Thailand (models AAT)	41A5324	1
Turkish (models AAG)	41A5325	1
Turkish (models AAG)	41A5326	1
UK English (models AAG)	41A5327	1
US Euro (models AAG)	41A5328	1
Slovenian (models AAG)	41A5329	1

Keyboard (Lenovo Enhanced Perf, USB Preferred -- with hub)	FRU#	CRU Tier
US English (models)	41A4961	1
Arabic (models)	41A4962	1
Arabic/French (models)	41A4963	1
Belgian French (models)	41A4964	1
Belgium English (models)	41A4965	1
Brazilian Portuguese (models)	41A4966	1
Bulgarian (models)	41A4967	1

Keyboard (Lenovo Enhanced Perf, USB Preferred -- with hub)	FRU#	CRU Tier
Chinese/US (models)	41A4968	1
Czech (ABB) (models)	41A4969	1
Danish (models)	41A4970	1
Dutch (models)	41A4971	1
French (models)	41A4972	1
French Canadian (models)	41A4973	1
French Canadian (models)	41A4974	1
German (models)	41A4975	1
Greek (models)	41A4976	1
Greek/US (models)	41A5078	1
Hebrew (models)	41A4977	1
Hungarian (models)	41A4978	1
Iceland (models)	41A4979	1
Italian (models)	41A4980	1
Japanese (models)	41A4981	1
Korean (models)	41A4982	1
LA Spanish (models)	41A4983	1
Norwegian (models)	41A4984	1
Polish (models)	41A4985	1
Portuguese (models)	41A4986	1
Romanian (models)	41A4987	1
Russian/Cyrilic (models)	41A4988	1
Serbian/Cyrilic (models)	41A4989	1
Slovak (models)	41A4990	1
Spanish (models)	41A4991	1
Swedish/Finnish (models)	41A4992	1
Swiss French/German (models)	41A4993	1
Thailand (models)	41A4994	1
Turkish (models)	41A4995	1
Turkish (models)	41A4996	1
UK English (models)	41A4997	1
US Euro (models)	41A4998	1
Slovenian (models)	41A4999	1

Keyboard (Lenovo Fingerprint Reader USB)	FRU#	CRU Tier
US English (models)	41A5248	1
Arabic (models)	41A5249	1
Arabic/French (models)	41A5250	1

Keyboard (Lenovo Fingerprint Reader USB)	FRU#	CRU Tier
Belgian French (models)	41A5251	1
Belgium English (models)	41A5252	1
Brazilian Portuguese (models)	41A5253	1
Bulgarian (models)	41A5254	1
Chinese/US (models)	41A5255	1
Czech (ABB) (models)	41A5256	1
Danish (models)	41A5257	1
Dutch (models)	41A5258	1
French (models)	41A5259	1
French Canadian (models)	41A5260	1
French Canadian (models)	41A5261	1
German (models)	41A5262	1
Greek (models)	41A5263	1
Greek/US (models)	41A5264	1
Hebrew (models)	41A5265	1
Hungarian (models)	41A5266	1
Iceland (models)	41A5267	1
Italian (models)	41A5268	1
Japanese (models)	41A5269	1
Korean (models)	41A5270	1
LA Spanish (models)	41A5271	1
Norwegian (models)	41A5272	1
Polish (models)	41A5273	1
Portuguese (models)	41A5274	1
Romanian (models)	41A5276	1
Russian/Cyrilic (models)	41A5277	1
Serbian/Cyrilic (models)	41A5278	1
Slovak (models)	41A5279	1
Spanish (models)	41A5280	1
Swedish/Finnish (models)	41A5281	1
Swiss French/German (models)	41A5282	1
Thailand (models)	41A5283	1
Turkish (models)	41A5284	1
Turkish (models)	41A5285	1
UK English (models)	41A5286	1
US Euro (models)	41A5287	1
Slovenian (models)	41A5288	1

7094 mice	FRU#	CRU Tier
Optical Wheel Mouse (400DPI, USB) (models AAU AAF AAS AAP AAL AAD AAY AAG AAM AAA AAQ AAT AAC AAB AAH AAV AAK AAR AAE AAJ)	41U3013	1
Optical Wheel Mouse (400DPI, USB) (models AAU AAF AAS AAP AAL AAD AAY AAG AAM AAA AAQ AAT AAC AAB AAH AAV AAK AAR AAE AAJ)	41U3030	1
PS/2 Three Button ball mouse (41R0017) (models)	41R0018	1

7094 Adapters and miscellaneous FRUs	FRU#	CRU
Internal USB Memory Card Reader floppy bay (models)	41R3378	2
Internal USB 20 in 1 Memory CardReader floppy bay (models)	45R8139	2
USB Memory Key (models)	43R2296	2
Internal USB Memory Card Reader floppy bay (models)	41R3376	2
Soft Modem V.90/V.44 ATX (models CTO)	46R4220	2
ATI HD 2600XT 512MB 128BIT ATX (models)	43C0261	2
IEEE 1394 Firewire Adapter SFF (models)	41D2781	2
Internal USB Memory Card Reader Slim (models)	43C9207	1
USB Memory Key - 1G RoW (models)	41U4978	1
ADD2 DVI Adapter,FH (HDCP) (models)	43C0258	2
ATI HD 2400PRO 128MB 64BIT DMS59 LP (models)	43C0259	2
ATI HD 2400PRO 128MB 64BIT DMS59 ATX (models)	43C0259	2
ATI HD 2400XT 256MB 64BIT DMS59 ATX (models)	43C0260	2
DVI-I connection Adapter Full Height(models)	39J9334	2
DVI-I connection Adapter Low Profile (models)	39J9334	2
Speaker Power brick - US, Canada, LA low voltage, ASEAN (models AAU AAS AAA)	89P8571	1
Speaker Power brick - LA high voltage (non-APU) (models AAD AAY)	89P8575	1
Speaker Power brick - China, Thailand (models AAD AAY)	89P8581	1
Speaker Power brick - Japan (models AAJ)	89P8577	1
Speaker Power brick - Brazil (models AAP)	89P8583	1
Speaker Power brick - Argentina (models)	41A4901	1
Speaker Power brick - ANZ (modes AAM)	89P8579	1
Speaker Brick - Korea (models AAK)	41A4903	1
Speaker Brick - Hong Kong, EMEA (models AAB AAH)	89P8573	1
Speaker Brick - Taiwan (models AAV)	41A4905	1
Speaker Power brick - India, South Africa (models AAQ)	89P8585	1
Dongle DMS Dule DMS-59 to dual VGA Cable (models)	42Y8181	2
Dongle DMS Dule DMS-59 to dual DVI Cable (models)	41X6398	2

7094 Line Cords	FRU#	CRU
Line cord - US (models AAU AAF AAS AAD AAL AAA AAT)	41R3184	1
Line cord - US (models AAU AAF AAS AAD AAL AAA AAT)	41R3185	1

7094 Line Cords	FRU#	CRU
Line cord - China (models AAC)	41R3256	1
Line cord - China (models AAC)	41R3257	1
Line cord - Brazil (models AAP)	41R3270	1
Line cord - Brazil (models AAP)	41R3271	1
Line cord - LA High Volt APU (models AAS)	41R3176	1
Line Cord - LA High Volt APU (models AAS)	41R3177	1
Line Cord - Korea (models AAK)	41R3260	1
Line Cord - Korea (models AAK)	41R3261	1
Line Cord - UK, Ireland, Singapore, Malaysia, Brunei (models AAG AAA)	41R3224	1
Line Cord - UK, Ireland, Singapore, Malaysia, Brunei (models AAG AAA)	41R3225	1
Line Cord - Taiwan (models AAV)	41R3278	1
Line Cord - Taiwan (models AAV)	41R3279	1
Line Cord - Italy (models AAS AAY AAL AAG)	41R3232	1
Line Cord - Italy (models AAS AAY AAL AAG)	41R3233	1
Line Cord - Indonesia, Laos, Cambodia, and Vietnam (models AAG AAA)	41R3208	1
Line Cord - Indonesia, Laos, Cambodia, and Vietnam (models AAG AAA)	41R3209	1
Line Cord - Denmark (models AAG)	41R3212	1
Line Cord - Denmark (models AAG)	41R3213	1
Line Cord - Switzerland (models AAG)	41R3228	1
Line Cord - Switzerland (models AAG)	41R3229	1
Line Cord - Israel (models AAG)	41R3236	1
Line Cord - Israel (models AAG)	41R3237	1
Line Cord - South Africa (models AAG AAM AAA)	41R3220	1
Line Cord - South Africa (models AAG AAM AAA)	41R3221	1
Line Cord - India (models AAQ)	41R3341	1
Line Cord - India (models AAQ)	41R3175	1
Line Cord - Japan (models AAJ)	41R3248	1
Line Cord - Japan (models AAJ)	41R3249	1
Line Cord - ANZ (models AAM)	41R3196	1
Line Cord - ANZ (models AAM)	41R3197	1
Line Cord - Hong Kong (models AAB AAH)	41R3224	1
Line Cord - Hong Kong (models AAB AAH)	41R3225	1

7094 Windows XP Home Recovery CDs	FRU#	CRU
US/UK/AP/TH (models)	TBD	1
FR/CF (models)	TBD	1
GR (models)	TBD	1
IT (models)	TBD	1
BR (models)	TBD	1

7094 Windows XP Home Recovery CDs	FRU#	CRU
SP/LA (models)	TBD	1
DK (models)	TBD	1
NL (models)	TBD	1
AE (models)	TBD	1
SV (models)	TBD	1
HE (models)	TBD	1
FI (models)	TBD	1
NO (models)	TBD	1
PL (models)	TBD	1
PO (models)	TBD	1
RU (models)	TBD	1
RE (models)	TBD	1
HU (models)	TBD	1
CZ (models)	TBD	1
TR (models)	TBD	1
GK (models)	TBD	1
Japanese (models)	TBD	1
Simplified Chinese (models)	TBD	1
Taiwan-TC (models)	TBD	1
Hong Kong-TC (models)	TBD	1
Korean (models)	TBD	1

7094 Windows XP Pro Recovery CDs	FRU#	CRU
US/UK/AP/TH (models)	45R0756	1
FR/CF (models)	45R0759	1
GR (models)	45R0760	1
IT (models)	45R0762	1
BR (models)	45R0763	1
SP/LA (models)	45R0761	1
DK (models)	45R0764	1
NL (models)	45R0767	1
AE (models)	45R2342	1
SV (Swedish) (models)	45R0765	1
HE (models)	45R2334	1
FI (models)	45R0766	1
NO (models)	45R0770	1
PL (models)	45R0777	1
PO (models)	45R0774	1
RU (models)	45R0773	1

7094 Windows XP Pro Recovery CDs	FRU#	CRU
RE (models)	45R2318	1
HU (models)	45R0780	1
CZ (models)	45R0776	1
TR (models)	45R0775	1
GK (models)	45R0772	1
SL (models)	45R2326	1
Japanese (models)	45R0757	1
Simplified Chinese (models)	45R0758	1
Taiwan-TC (models)	45R0768	1
Hong Kong-TC (models)	45R0769	1
Korean (models)	45R0771	1
Multilingual 1 XP-Pro -- EN, NL, FR, GR, IT (models)	45R8246	1
Multilingual 2 XP-Pro -- EN, DK, FI, NO, SV (models)	45R8247	1

7094 Vista Home Basic 32 SP1 Recovery DVDs	FRU#	CRU
English (models)	46R7273	1
Japanese (models)	46R7274	1
Simplified Chinese (models)	46R7275	1
French (models)	46R7276	1
German (models)	46R7277	1
Spanish (models)	46R7278	1
Russian English (models)	46R7286	1
Italian (models)	46R7279	1
Brazilian Portuguese (models)	46R7280	1
Danish (models)	46R7281	1
Swedish (models)	45R9758	1
Finland (models)	45R9759	1
Dutch (models)	45R9760	1
Traditional Chinese (models)	46R7282	1
Hong Kong (models)	46R7283	1
Norwegian (models)	46R7284	1
Korean (models)	45R9764	1
Slovenian (models)	45R9765	1
Greek (models)	45R9766	1
Russian (models)	46R7285	1
Portuguese (models)	45R9768	1
Turkish (models)	45R9769	1
Czech (models)	45R9770	1
Polish (models)	45R9771	1

7094 Vista Home Basic 32 SP1 Recovery DVDs	FRU#	CRU
Arabic Localized (models)	45R9773	1
Hebrew (models)	45R9774	1
Hungarian (models)	45R9775	1
Slovakian (models)	45R9776	1

7094 Vista Business 32 SP1 Recovery DVDs	FRU#	CRU
English (models AAU AAG AAM AAQ AAA AAH AAR AAE)	46R7287	1
Japanese (models AAJ)	46R7288	1
French (models AAG)	46R7290	1
German (models AAG)	46R7291	1
Spanish (models AAG)	46R7292	1
Russian English (models AAG)	46R7300	1
Simplified Chinese (models AAC)	46R7289	1
Italian (models AAG)	46R7293	1
Brazilian Portuguese (models AAP)	46R7294	1
Danish (models AAG)	46R7295	1
Swedish (models AAG)	45R9786	1
Finland (models AAG)	45R9787	1
Dutch (models AAG)	45R9788	1
Traditional Chinese (models AAV)	46R7296	1
Hong Kong (models AAB)	46R7297	1
Norwegian (models AAG)	46R7298	1
Korean (models AAK)	45R9792	1
Slovenian (models AAG)	45R9793	1
Greek (models AAG)	45R9794	1
Russian (models AAG)	46R7299	1
Portuguese (models AAG)	45R9796	1
Turkish (models AAG)	45R9797	1
Czech (models AAG)	45R9798	1
Polish (models AAG)	45R9799	1
Arabic Localized (models)	45R9801	1
Hebrew (models AAG)	45R9802	1
Romanian (models AAG)	45R9803	1
Hungarian (models AAG)	45R9804	1
Slovakian (models AAG)	45R9805	1
Serbian-Latin (models)	45R9806	1

7094 Vista VHP SP1 Recovery DVDs	FRU#	CRU
English (models)	46R7315	1
Japanese (models)	46R7316	1
French (models)	46R7318	1
German (models)	46R7319	1
Spanish (models)	46R7320	1
Russian English (models)	46R7328	1
Simplified Chinese (models)	46R7317	1
Italian (models)	46R7321	1
Brazilian Portuguese (models)	46R7322	1
Danish (models)	46R7323	1
Swedish (models)	45R9844	1
Finland (models)	45R9845	1
Dutch (models)	45R9846	1
Traditional Chinese (models)	46R7324	1
Hong Kong (models)	46R7325	1
Norwegian (models)	46R7326	1
Korean (models)	45R9850	1
Slovenian (models)	45R9851	1
Greek (models)	45R9852	1
Russian (models)	46R7327	1
Portuguese (models)	45R9854	1
Turkish (models)	45R9855	1
Czech (models)	45R9856	1
Polish (models)	45R9857	1
Russian English (models)	45R9858	1
Arabic Localized (models)	45R9859	1
Hebrew (models)	45R9860	1
Romanian (models)	45R9861	1
Hungarian (models)	45R9862	1
Slovakian (models)	45R9863	1
Serbian-Latin (models)	45R9864	1

7094 Vista Business 64 SP1 Recovery DVDs	FRU#	CRU
English (models)	46R7301	1
Russian English (models)	46R7314	1
German (models)	46R7305	1
Spanish (models)	46R7306	1
Brazilian Portuguese (models)	46R7308	1
French (models)	46R7304	1

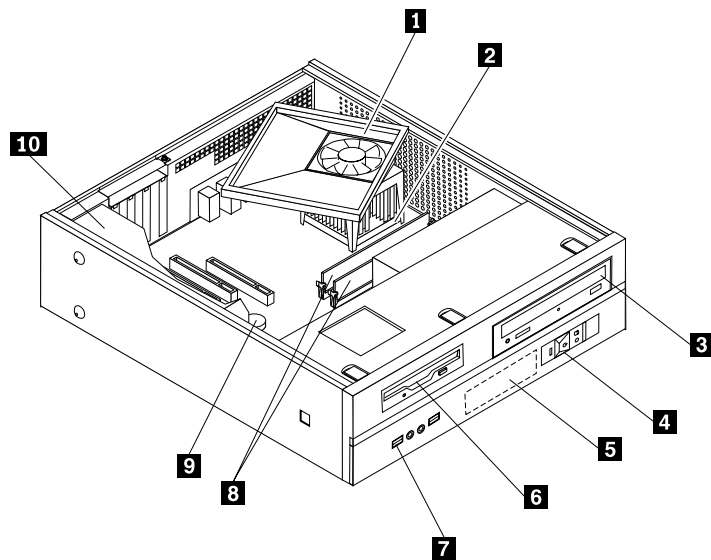
7094 Vista Business 64 SP1 Recovery DVDs	FRU#	CRU
Italian (models)	46R7307	1
Japanese (models)	46R7302	1
Norwegian (models)	46R7301	1
Swedish (models)	45R9816	1
Danish (models)	46R7309	1
Dutch (models)	45R9818	1
Traditional Chinese (models)	46R7310	1
Hong Kong (models)	46R7311	1
Norwegian (models)	46R7312	1
Russian (models)	45R9822	1
Turkish (models)	45R9823	1
Hungarian (models)	45R9824	1
Greek (models)	45R9825	1
Simplified Chinese (models)	46R7313	1
Taiwan (models)	45R9827	1
HongKong (models)	45R9828	1
Korea (models)	45R9829	1
Portuguese (models)	45R9831	1
Arabic Localized (models)	45R9832	1
Hebrew (models)	45R9833	1
Slovakian (models)	45R9834	1

7094 Vista Ultimate 32 SP1 Recovery DVDs	FRU#	CRU
English (models)	46R7329	1
Japanese (models)	46R7330	1
French (models)	46R7332	1
German (models)	46R7333	1
Spanish (models)	46R7334	1
Russian English (models)	46R5089	1
Simplified Chinese (models)	46R7331	1
Italian (models)	46R7335	1
Brazilian Portuguese (models)	46R7336	1
Danish (models)	46R7337	1
Swedish (models)	45R9874	1
Finland (models)	45R9875	1
Dutch (models)	45R9876	1
Traditional Chinese (models)	46R7338	1
Hong Kong (models)	46R7339	1
Norwegian (models)	46R7340	1

7094 Vista Ultimate 32 SP1 Recovery DVDs	FRU#	CRU
Korean (models)	45R9880	1
Slovenian (models)	45R9881	1
Greek (models)	45R9882	1
Russian (models)	46R7341	1
Portuguese (models)	45R9884	1
Turkish (models)	45R9885	1
Czech (models)	45R9886	1
Polish (models)	45R9887	1
Arabic Localized (models)	46R7342	1
Hebrew (models)	45R9890	1
Hungarian (models)	45R9891	1
Slovakian (models)	45R9892	1

7094 Vista Starter 32 Recovery DVDs	FRU#	CRU
English (models)	46R5059	1

Machine Type 7096



Item #	7096 FRUs	FRU#	CRU
1	Heat Sink/RM Kit Intel (all models)	41R6022	N
1	Heat Sink/RM Kit Intel (all models)	41N8261	2
2	Microprocessor, Celeron 420 CONROE-L 800/1600MHZ-512K,LGA,EM64T (models)	43C3835	N
2	Microprocessor, Celeron 430 CONROE-L 800/1800MHZ-512K,LGA,EM64T (models)	43C1964	N
2	Microprocessor, Celeron 440 CONROE-L 800/2000MHZ-512K,LGA,EM64T (models)	43C1965	N

Item #	7096 FRUs	FRU#	CRU
2	Microprocessor, Pentium Dual-core E2140 CONROE-L 800/1600MHZ-1M, LGA, EM64T (models)	43C1967	N
2	Microprocessor, Pentium Dual-core E2160 CONROE-L 800/1800MHZ-1M, LGA, EM64T (models)	43C1968	N
2	Microprocessor, Core 2 Duo E4400 L2 CONROE 800/2000MHZ-2M, LGA, EM64T (models)	43C2056	N
2	Microprocessor, Core 2 Duo E6400 B2 CONROE 1066/2130MHZ-2M, LGA, EM64T L2 Value (models)	41X2496	N
2	Microprocessor, Pentium Dual-core E2200 CONROE-L 800/2200MHZ-1M, LGA, EM64T - NPI (models CTO)	45C5349	N
2	Microprocessor, Pentium Dual-core E2180 CONROE-L 800/2000MHZ-1M, LGA, EM64T - NPI (models CTO)	45C1773	N
2	Microprocessor, Pentium Dual-core E2220 CONROE-L 800/2400MHZ-1M, LGA, EM64T - NPI (models CTO)	45C1774	N
2	Microprocessor, Core 2 Duo E4600 M0 CONROE 800/2400MHZ-2M, LGA, EM64T - NPI (models CTO)	45C5282	N
2	Microprocessor, Core 2 Duo E4500 M0 CONROE 800/2200MHZ-2M, LGA, EM64T (models CTO)	43C6305	N
2	Microprocessor, Core 2 Duo E6850 G0 CONROE 1333/3000MHZ-4M, LGA, EM64T (models CTO)	43C1694	N
2	Microprocessor, Core 2 Duo E6750 G0 CONROE 1333/2660MHZ-4M, LGA, EM64T (models CTO)	43C1693	N
2	Microprocessor, Core 2 Duo E6550 G0 CONROE 1333/2330MHZ-4M, LGA, EM64T (models CTO)	43C3833	N
2	Microprocessor, Core 2 Quad G-0 Q6700 KENTSFIELD 1066/2660MHZ-8M (models CTO)	43C6309	N
2	Microprocessor, Core 2 Quad G-0 Q6600 KENTSFIELD 1066/2400MHZ-8M (models CTO)	43C1695	N
2	Microprocessor, Core 2 Duo E8500 WOLFDALÉ 1333/3160MHZ-6M (models CTO)	45C7735	N
2	Microprocessor, Core 2 Duo E8400 WOLFDALÉ 1333/3000MHZ-6M (models CTO)	45C7736	N
2	Microprocessor, Core 2 Duo E8200 WOLFDALÉ 1333/2660MHZ-6M (models CTO)	45C7738	N
2	Microprocessor, Core 2 Duo E8190 WOLFDALÉ 1333/2660MHZ-6M - NON VT/Vpro (models CTO)	45R2568	N
2	Microprocessor, Core 2 Quad Q9550 C-1 YORKFIELD 2.83GHz 1333MHZ FSB 12M L2 (models CTO)	45C7739	N
2	Microprocessor, Core 2 Quad Q9450 C-1 YORKFIELD 2.66GHz 1333MHZ FSB 12M L2 (models CTO)	45C7740	N
2	Microprocessor, Core 2 Quad Q9300 M-1 YORKFIELD 2.5GHz 1333MHZ FSB 6M L2 (models CTO)	45C7741	N
2	Microprocessor, Core 2 Duo E8300 C-0 WOLFDALÉ 2.83GHz 1333MHZ FSB 6M L2 (models CTO)	45C7737	N
2	Microprocessor, Core 2 Duo E7300 M-0 2.66GHz 1066MHz FSB 3M L2 (models CTO)	46R1622	N
2	Microprocessor, Core 2 Duo E7200 M-0 2.53GHz 1066MHz FSB 3M L2 (models CTO)	45R8337	N
2	Microprocessor, Core 2 Duo E4700 G-0 2.6GHz 800MHz FSB 2M L2 (models CTO)	45R5786	N

Item #	7096 FRUs	FRU#	CRU
2	Microprocessor, Celeron Dual Core E1400 M-0 2.0GHz 800MHz FSB 512K L2 (models CTO)	45R8339	N
2	Microprocessor, Celeron Dual Core E1200 M-0 1.6GHz 800MHz FSB 512K L2, LGA, EM64T - NPI (models CTO)	45R8341	N
2	Microprocessor, Core 2 Duo E8600 E-0 WOLFDAL E 3.33GHz 1333MHZ FSB 6M L2 (models CTO)	46R8640	N
3	DVD-ROM Drive - 16x/48x - SATA Vista & non-Vista (models)	41N3325	2
3	DVD-ROM/CD-RW Combo Drive - 48x/32x/48x/16x - SATA Vista & non-Vista (models AAU AAF AAS AAP AAL AAD AAY AAG AAM AAA AAQ AAT AAC AAB AAH AAV AAK AAR AAE AAJ)	42Y9353	2
3	DVD-RW/CD-RW Rambo 8 - SATA Vista & non-Vista (models)	43C1042	2
4	Front Power/LED PC, bracket, and cable (all models)	41N8213	2
5	Hard disk drive, SATA 80GB 7200RPM/3Gb/8MB (models)	40Y9034	2
5	Hard disk drive, SATA 160GB 7200RPM/3Gb/8MB (models AAU AAF AAS AAP AAL AAD AAY AAG AAM AAA AAQ AAT AAC AAB AAH AAV AAK AAR AAE AAJ)	40Y9035	2
5	Hard disk drive, SATA 320GB 7200rpm SATA/8MB (models)	87H4891	2
6	Diskette drive, 3,5", 1.44MB, 2-mode, (w/bezel) (models)	40Y9105	2
6	Diskette drive, 3,5", 1.44MB, 2-mode, (w/bezel) (models)	40Y9107	2
7	Front USB/Audio with bracket (all models)	41N8212	2
8	Memory module, 512 MB PC-5300 (667MHz) DDR2 SDRAM (models)	41X4255	2
8	Memory module, 1 GB PC-5300 (667MHz) DDR2 SDRAM (models AAU AAF AAS AAP AAL AAD AAY AAG AAM AAA AAQ AAT AAC AAB AAH AAV AAK AAR AAE AAJ)	41X4256	2
8	Memory module, 2 GB PC-5300 (667MHz) DDR2 SDRAM (models)	41X4257	2
8	Memory module, 512 MB PC2-6400 (800MHz) DDR2 SDRAM (models)	41X1079	2
8	Memory module, 1GB PC-6400 (800MHz) DDR2 SDRAM (models)	41X1080	2
8	Memory module, 2GB PC-6400 (800MHz) DDR2 SDRAM (models)	41X1081	2
9	System board, Intel G31 mATX GA Level (models AAU AAF AAS AAP AAL AAD AAY AAG AAM AAA AAQ AAT AAC AAB AAH AAV AAK AAR AAE AAJ)	53Y3282	N
10	Power supply, 220 Watt Power Supply - Robust; for all countries except for JP (ROCKYS) (models AAU AAF AAS AAP AAL AAD AAY AAG AAM AAA AAQ AAT AAC AAB AAH AAV AAK AAR AAE)	41A9689	N
10	Power supply, 220 Watt Power Supply - Japan; only for JP (ROCKYS) (models AAJ)	41A9697	N
10	Power supply, 220W 80% Power supply-for all countries (ROCKYS) (models AAU AAF AAS AAP AAL AAD AAY AAG AAM AAA AAQ AAT AAC AAB AAH AAV AAK AAR AAE AAJ)	41A9670	N
10	Power supply, 280W TFX 280W PS ,Active PFC, for RockyS-for all countries (ROCKYS) (models AAU AAF AAS AAP AAL AAD AAY AAG AAM AAA AAQ AAT AAC AAB AAH AAV AAK AAR AAE AAJ)	41A9705	N

The FRUs listed in the following tables are not illustrated.

7096 FRUs	FRU#	CRU
Planer shield, Atx 946,G31 with usb number (all models)	41R6384	N
Cabel, SATA 250mm (RoHS) (all models)	43N9012	2

7096 FRUs	FRU#	CRU
Shield, EMC , Blank 5.25 (all models)	41N8271	2
Shield, EMC , Blank diskette drive (all models)	41N8273	2
Cover (all models)	41N8204	2
Mechanical shell kit (all models)	41R6387	N
Bezel kit, without IBM logo (all models)	41R6238	2
Miscellaneous hardware kit (all models)	41N8209	2
Hard disk drive bracket assembly (plastic and grommets) (all models)	41N8210	2
Hard disk drive fan and bracket asm (all models)	41R6325	2
Speaker cable assembly, 600 mm cable length (all models)	41N8217	2
Fan duct assembly (all models)	41R4808	2
Rear USB 2Ports II LP (R), low profile I/O, 200mm, Rohs (all models)	42Y8006	2
Retention module assembly, Intel (all models)	41A7139	N
Intrusion switch assembly (all models)	41R6208	2
Foot stand (all models)	41R4813	1
Cable, diskette drive (all models)	41A7147	2
Cable, serial ATA, 250 mm (all models)	41A7145	2
Planer shield, Atx 946, with usb number (all modes)	41R6378	N
Rear Com2 cable , Rohs (all models)	41R6198	2
Rear Com2 cable II LP(R), low profile I/O, 250mm, Rohs (all models)	42Y8008	2
Fru,Tamdhu chassis primary HDD cage (all models)	45K6272	1
Fru,Tamdhu ruber foot(For acoustic improvement) (all models)	45K6278	2
BATTERY 3V-LITHIUM (TOWER,ROCKYS,LX-607) (models AAU AAF AAS AAP AAL AAD AAY AAG AAM AAA AAQ AAT AAC AAB AAH AAV AAK AAR AAE AAJ)	45C1566	N

7096 Keyboard (Lenovo USB Preferred -- without hub)	FRU#	CRU Tier
US English (models)	41A5039	1
Arabic (models)	41A5040	1
Arabic/French (models)	41A5041	1
Belgian/French (models)	41A5042	1
Belgian/English (models)	41A5043	1
Brazilian Portuguese (models)	41A5044	1
Bulgarian (models)	41A5045	1
Chinese/US (models)	41A5046	1
Czech (models)	41A5047	1
Danish (models)	41A5048	1
Dutch (models)	41A5049	1
French (models)	41A5050	1
French Canadian (models)	41A5051	1
French Canadian (models)	41A5052	1

7096 Keyboard (Lenovo USB Preferred -- without hub)	FRU#	CRU Tier
German (models)	41A5053	1
Greek (models)	41A5054	1
Greek/US (models)	41A5080	1
Hebrew (models)	41A5055	1
Hungarian (models)	41A5056	1
Iceland (models)	41A5057	1
Italian (models)	41A5058	1
Japanese (models)	41A5059	1
Korean (models)	41A5060	1
LA Spanish (models)	41A5061	1
Norwegian (models)	41A5062	1
Polish (models)	41A5063	1
Portuguese (models)	41A5064	1
Romanian (models)	41A5065	1
Russian/Cyrillic (models)	41A5066	1
Serbian/Cyrillic (models)	41A5067	1
Slovak (models)	41A5068	1
Spanish (models)	41A5069	1
Swedish/Finnish (models)	41A5070	1
Swiss (models)	41A5071	1
Thailand (models)	41A5072	1
Turkish (models)	41A5073	1
Turkish (models)	41A5074	1
UK English (models)	41A5075	1
US Euro (models)	41A5076	1
Slovenian (models)	41A5077	1

7096 Keyboard (Lenovo USB Preferred -- without hub)	FRU#	CRU Tier
US English (models AAU AAG AAM AAA AAQ AAH AAR AAE)	41A5289	1
Arabic (models)	41A5290	1
Arabic/French (models AAG)	41A5291	1
Belgian/French (models AAG)	41A5292	1
Belgian/UK (models AAG)	41A5293	1
Brazilian Portuguese (models AAP)	41A5294	1
Bulgarian (models AAG)	41A5295	1
Chinese/US (models AAB AAV)	41A5296	1
Czech(ABB) (models AAG)	41A5297	1
Danish (models AAG)	41A5298	1

7096 Keyboard (Lenovo USB Preferred -- without hub)	FRU#	CRU Tier
Dutch (models AAG)	41A5299	1
French (models AAG)	41A5300	1
French Canadian (models AAF)	41A5301	1
French Canadian (models AAF)	41A5302	1
German (models AAG)	41A5303	1
Greek (models AAG)	41A5304	1
Greek/US (models AAG)	41A5305	1
Hebrew (models AAG)	41A5306	1
Hungarian (models AAG)	41A5307	1
Iceland (models AAG)	41A5308	1
Italian (models AAG)	41A5309	1
Japanese (models AAJ)	41A5310	1
Korean (models AAK)	41A5311	1
LA Spanish (models AAS AAD AAY)	41A5312	1
Norwegian (models AAG)	41A5313	1
Polish (models AAG)	41A5314	1
Portuguese (models AAG)	41A5315	1
Romanian (models AAG)	41A5317	1
Russian/Cyrillic (models AAG)	41A5318	1
Serbian/Cyrillic (models AAG)	41A5319	1
Slovak (models AAG)	41A5320	1
Spanish (models AAG)	41A5321	1
Swedish/Finnish (models AAG)	41A5322	1
Swiss French/German (models AAG)	41A5323	1
Thailand (models AAT)	41A5324	1
Turkish (models AAG)	41A5325	1
Turkish (models AAG)	41A5326	1
UK English (models AAG)	41A5327	1
US Euro (models AAG)	41A5328	1
Slovenian (models AAG)	41A5329	1

7096 Keyboard (Lenovo Enhanced Perf, USB Preferred -- with hub)	FRU#	CRU Tier
US English (models)	41A4961	1
Arabic (models)	41A4962	1
Arabic/French (models)	41A4963	1
Belgian/French (models)	41A4964	1
Belgian/UK (models)	41A4965	1
Brazilian Portuguese (models)	41A4966	1

7096 Keyboard (Lenovo Enhanced Perf, USB Preferred -- with hub)	FRU#	CRU Tier
Bulgarian (models)	41A4967	1
Chinese/US (models)	41A4968	1
Czech(ABB) (models)	41A4969	1
Danish (models)	41A4970	1
Dutch (models)	41A4971	1
French (models)	41A4972	1
French Canadian (models)	41A4973	1
French Canadian (models)	41A4974	1
German (models)	41A4975	1
Greek (models)	41A4976	1
Greek/US (models)	41A5078	1
Hebrew (models)	41A4977	1
Hungarian (models)	41A4978	1
Iceland (models)	41A4979	1
Italian (models)	41A4980	1
Japanese (models)	41A4981	1
Korean (models)	41A4982	1
LA Spanish (models)	41A4983	1
Norwegian (models)	41A4984	1
Polish (models)	41A4985	1
Portuguese (models)	41A4986	1
Romanian (models)	41A4987	1
Russian/Cyrillic (models)	41A4988	1
Serbian/Cyrillic (models)	41A4989	1
Slovak (models)	41A4990	1
Spanish (models)	41A4991	1
Swedish/Finnish (models)	41A4992	1
Swiss French/German (models)	41A4993	1
Thailand (models)	41A4994	1
Turkish (models)	41A4995	1
Turkish (models)	41A4996	1
UK English (models)	41A4997	1
US Euro (models)	41A4998	1
Slovenian (models)	41A4999	1

7096 Keyboard (Lenovo Fingerprint Reader USB)	FRU#	CRU Tier
US English (models)	41A5248	1
Arabic (models)	41A5249	1

7096 Keyboard (Lenovo Fingerprint Reader USB)	FRU#	CRU Tier
Arabic/French (models)	41A5250	1
Belgian/French (models)	41A5251	1
Belgian/UK (models)	41A5252	1
Brazilian Portuguese (models)	41A5253	1
Bulgarian (models)	41A5254	1
Chinese/US (models)	41A5255	1
Czech(ABB) (models)	41A5256	1
Danish (models)	41A5257	1
Dutch (models)	41A5258	1
French (models)	41A5259	1
French Canadian (models)	41A5260	1
French Canadian (models)	41A5261	1
German (models)	41A5262	1
Greek (models)	41A5263	1
Greek/US (models)	41A5264	1
Hebrew (models)	41A5265	1
Hungarian (models)	41A5266	1
Iceland (models)	41A5267	1
Italian (models)	41A5268	1
Japanese (models)	41A5269	1
Korean (models)	41A5270	1
LA Spanish (models)	41A5271	1
Norwegian (models)	41A5272	1
Polish (models)	41A5273	1
Portuguese (models)	41A5274	1
Romanian (models)	41A5276	1
Russian/Cyrillic (models)	41A5277	1
Serbian/Cyrillic (models)	41A5278	1
Slovak (models)	41A5279	1
Spanish (models)	41A5280	1
Swedish/Finnish (models)	41A5281	1
Swiss French/German (models)	41A5282	1
Thailand (models)	41A5283	1
Turkish (models)	41A5284	1
Turkish (models)	41A5285	1
UK English (models)	41A5286	1
US Euro (models)	41A5287	1
Slovenian (models)	41A5288	1

7096 mice	FRU#	CRU
Optical Wheel Mouse (400DPI, USB) (all models)	41U3013	1
Optical Wheel Mouse (400DPI, USB) (all models)	41U3030	1
PS/2 2 Button Ball Mouse (models)	41R0018	1

7096 Adapters and miscellaneous FRUs	FRU#	CRU
Internal USB Memory Card Reader floppy bay (models)	41R3378	2
Internal USB 20 in 1 Memory CardReader floppy bay (models)	45R8139	2
USB Memory Key (models)	43R2296	2
Internal USB Memory Card Reader floppy bay (models)	41R3376	2
IEEE 1394 Firewire Adapter SFF (models)	41D2781	2
Soft Modem V.90/V.44 SFF (models CTO)	46R4220	2
USB Memory Key - 1G RoW (models)	41U4978	1
ATI HD 2400PRO 128MB 64BIT DMS59 LP (models)	43C0259	2
ATI HD 2400XT 256MB 64BIT DMS59 LP (models)	43C0260	2
ADD2 DVI Adapter,LP (HDCP) (models)	43C0258	2
DVI-I connection Adapter Full Height (models)	39J9334	2
DVI-I connection Adapter Low Profile (models)	39J9334	2
Speaker Power brick - US, Canada, LA low voltage,ASEAN (models AAU AAS AAA)	89P8571	1
Speaker Power brick - LA high voltage (non-APU) (models AAD)	89P8575	1
Speaker Power brick - China, Thailand (models AAT AAC)	89P8581	1
Speaker Power brick - Japan (models AAJ)	89P8577	1
Speaker Power brick - Brazil (models AAP)	89P8583	1
Speaker Power brick - Argentina (models AAY)	41A4901	1
Speaker Power brick - ANZ (models AAM)	89P8579	1
Speaker Brick - Korea (models AAK)	41A4903	1
Speaker Brick - Hong Kong, EMEA (models AAG AAH AAB)	89P8573	1
Speaker Brick - Taiwan (models AAV)	41A4905	1
Speaker Power brick - India, South Africa (models AAQ)	89P8585	1
Dongle DMS Dule DMS-59 to dual VGA Cable (models)	42Y8181	2
Dongle DMS Dule DMS-59 to dual DVI Cable (models)	41X6398	2

7096 Line Cords	FRU#	CRU
Line cord - US (models AAU AAF AAS AAD AAL AAA AAT)	41R3184	1
Line cord - US (models AAU AAF AAS AAD AAL AAA AAT)	41R3185	1
Line cord - China (models AAC)	41R3256	1
Line cord - China (models AAC)	41R3257	1
Line cord - Brazil (models AAP)	41R3270	1
Line cord - Brazil (models AAP)	41R3271	1
Line cord - LA High Volt APU (models AAY)	41R3176	1

7096 Line Cords	FRU#	CRU
Line Cord - LA High Volt APU (models AAY)	41R3177	1
Line Cord - Korea (models AAK)	41R3260	1
Line Cord - Korea (models AAK)	41R3261	1
Line Cord - UK, Ireland, Singapore, Malaysia, Brunei (models AAG)	41R3224	1
Line Cord - UK, Ireland, Singapore, Malaysia, Brunei (models AAG)	41R3225	1
Line Cord - Taiwan (models AAV)	41R3278	1
Line Cord - Taiwan (models AAV)	41R3279	1
Line Cord - Italy (models AAS AAY AAL AAG)	41R3232	1
Line Cord - Italy (models AAS AAY AAL AAG)	41R3233	1
Line Cord - Indonesia, Laos, Cambodia, and Vietnam (models AAG AAA)	41R3208	1
Line Cord - Indonesia, Laos, Cambodia, and Vietnam (models AAG AAA)	41R3209	1
Line Cord - Denmark (models AAG)	41R3212	1
Line Cord - Denmark (models AAG)	41R3213	1
Line Cord - Switzerland (models AAG)	41R3228	1
Line Cord - Switzerland (models AAG)	41R3229	1
Line Cord - Israel (models AAG)	41R3236	1
Line Cord - Israel (models AAG)	41R3237	1
Line Cord - South Africa (models AAM)	41R3220	1
Line Cord - South Africa (models AAM)	41R3221	1
Line Cord - India (models AAQ)	41R3341	1
Line Cord - India (models AAQ)	41R3175	1
Line Cord - Japan (models AAJ)	41R3248	1
Line Cord - Japan (models AAJ)	41R3249	1
Line Cord - ANZ (models AAM)	41R3196	1
Line Cord - ANZ (models AAM)	41R3197	1
Line Cord - Hong Kong (models AAB AAH)	41R3224	1
Line Cord - Hong Kong (models AAB AAH)	41R3225	1

7096 Windows XP Home Recovery CDs	FRU#	CRU
US/UK/AP/TH (models)	TBD	1
FR/CF (models)	TBD	1
GR (models)	TBD	1
IT (models)	TBD	1
BR (models)	TBD	1
SP/LA (models)	TBD	1
DK (models)	TBD	1
NL (models)	TBD	1
AE (models)	TBD	1
SV (models)	TBD	1

7096 Windows XP Home Recovery CDs	FRU#	CRU
HE (models)	TBD	1
FI (models)	TBD	1
NO (models)	TBD	1
PL (models)	TBD	1
PO (models)	TBD	1
RU (models)	TBD	1
RE (models)	TBD	1
HU (models)	TBD	1
CZ (models)	TBD	1
TR (models)	TBD	1
GK (models)	TBD	1
Japanese (models)	TBD	1
Simplified Chinese (models)	TBD	1
Taiwan-TC (models)	TBD	1
Hong Kong-TC (models)	TBD	1
Korea (models)	TBD	1

7096 Windows XP Pro Recovery CDs	FRU#	CRU
US/UK/AP/TH (models)	45R0756	1
FR/CF (models)	45R0759	1
GR (models)	45R0760	1
IT (models)	45R0762	1
BR (models)	45R0763	1
SP/LA (models)	45R0761	1
DK (models)	45R0764	1
NL (models)	45R0767	1
AE (models)	45R2342	1
SV (Swedish) (models)	45R0765	1
HE (models)	45R2334	1
FI (models)	45R0766	1
NO (models)	45R0770	1
PL (models)	45R0777	1
PO (models)	45R0774	1
RU (models)	45R0773	1
RE (models)	45R2318	1
HU (models)	45R0780	1
CZ (models)	45R0776	1
TR (models)	45R0775	1
GK (models)	45R0772	1

7096 Windows XP Pro Recovery CDs	FRU#	CRU
SL (models)	45R2326	1
Japanese (models)	45R0757	1
Simplified Chinese (models)	45R0758	1
Taiwan-TC (models)	45R0768	1
Hong Kong-TC (models)	45R0769	1
Korean (models)	45R0771	1
Multilingual 1 XP-Pro -- EN, NL, FR, GR, IT (models)	45R8246	1
Multilingual 2 XP-Pro -- EN, DK, FI, NO, SV (models)	45R8247	1

7096 Vista Home Basic 32 SP1 Recovery DVDs	FRU#	CRU
English (models)	46R7273	1
Japanese (models)	46R7274	1
Simplified Chinese (models)	46R7275	1
French (models)	46R7276	1
German (models)	46R7277	1
Spanish (models)	46R7278	1
Italian (models)	46R7279	1
Brazilian Portuguese (models)	46R7280	1
Danish (models)	46R7281	1
Swedish (models)	45R9758	1
Finland (models)	45R9759	1
Dutch (models)	45R9760	1
Traditional Chinese (models)	46R7282	1
Hong Kong (models)	46R7283	1
Norwegian (models)	46R7284	1
Korean (models)	45R9764	1
Slovenian (models)	45R9765	1
Greek (models)	45R9766	1
Russian (models)	46R7285	1
Portuguese (models)	45R9768	1
Turkish (models)	45R9769	1
Czech (models)	45R9770	1
Polish (models)	45R9771	1
Russian English (models)	45R9772	1
Arabic Localized (models)	45R9773	1
Hebrew (models)	45R9774	1
Hungarian (models)	45R9775	1
Slovakian (models)	45R9776	1

7096 Vista Business 32 SP1 Recovery DVDs	FRU#	CRU
English (models AAU AAG AAM AAA AAQ AAH AAR AAE)	46R7287	1
Japanese (models AAJ ABJ ACJ)	46R7288	1
Simplified Chinese (models AAC)	46R7289	1
French (models AAG AAF)	46R7290	1
German (models AAG)	46R7291	1
Spanish (models AAG)	46R7292	1
Italian (models AAG)	46R7293	1
Brazilian Portuguese (models AAG)	46R7294	1
Danish (models AAG)	46R7295	1
Swedish (models AAG)	45R9786	1
Finland (models AAG)	45R9787	1
Dutch (models AAG)	45R9788	1
Traditional Chinese (models AAB AAV)	46R7296	1
Hong Kong (models AAB AAV)	46R7297	1
Norwegian (models AAG)	46R7298	1
Korean (models AAK)	45R9792	1
Slovenian (models AAG)	45R9793	1
Greek (models AAG)	45R9794	1
Russian (models AAG)	46R7299	1
Portuguese (models AAG)	45R9796	1
Turkish (models AAG)	45R9797	1
Czech (models AAG)	45R9798	1
Polish (models AAG)	45R9799	1
Russian English (models AAG)	46R7300	1
Arabic Localized (models)	45R9801	1
Hebrew (models AAG)	45R9802	1
Romanian (models)	45R9803	1
Hungarian (models AAG)	45R9804	1
Slovakian (models AAG)	45R9805	1
Serbian-Latin (models)	45R9806	1

7096 Vista VHP SP1 Recovery DVDs	FRU#	CRU
English (models)	46R7315	1
Japanese (models)	46R7316	1
Simplified Chinese (models)	46R7317	1
French (models)	46R7318	1
German (models)	46R7319	1
Spanish (models)	46R7320	1
Italian (models)	46R7321	1

7096 Vista VHP SP1 Recovery DVDs	FRU#	CRU
Brazilian Portuguese (models)	46R7322	1
Danish (models)	46R7323	1
Swedish (models)	45R9844	1
Finland (models)	45R9845	1
Dutch (models)	45R9846	1
Traditional Chinese (models)	46R7324	1
Hong Kong (models)	46R7325	1
Norwegian (models)	46R7326	1
Korean (models)	45R9850	1
Slovenian (models)	45R9851	1
Greek (models)	45R9852	1
Russian (models)	46R7327	1
Portuguese (models)	45R9854	1
Turkish (models)	45R9855	1
Czech (models)	45R9856	1
Polish (models)	45R9857	1
Russian English (models)	46R7328	1
Arabic Localized (models)	45R9859	1
Hebrew (models)	45R9860	1
Romanian (models)	45R9861	1
Hungarian (models)	45R9862	1
Slovakian (models)	45R9863	1
Serbian-Latin (models)	45R9864	1

7096 Vista Business 64 SP1 Recovery DVDs	FRU#	CRU
English (models)	46R7301	1
Russian English (models)	46R7302	1
French (models)	46R7303	1
German (models)	46R7304	1
Spanish (models)	46R7305	1
Brazilian Portuguese (models)	46R7306	1
Italian (models)	46R7307	1
Japanese (models)	46R7308	1
Norwegian (models)	46R7309	1
Swedish (models)	45R9816	1
Danish (models)	45R9817	1
Dutch (models)	45R9818	1
Czech (models)	46R7310	1
Finnish (models)	46R7311	1

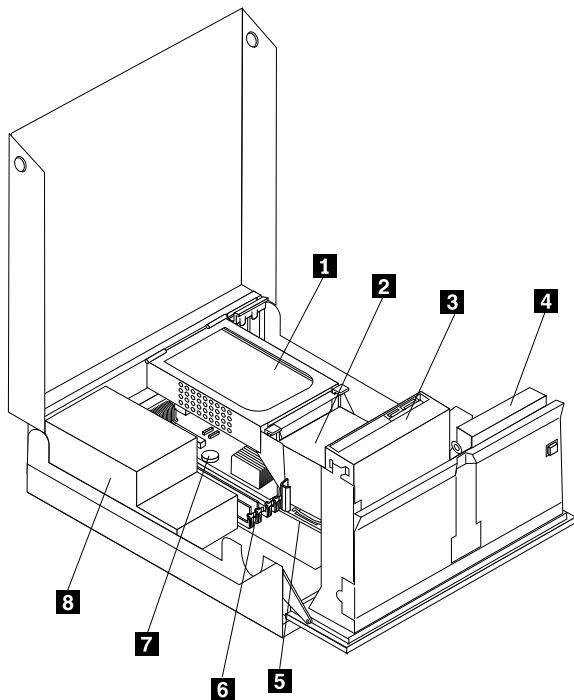
7096 Vista Business 64 SP1 Recovery DVDs	FRU#	CRU
Polish (models)	46R7312	1
Russian (models)	45R9822	1
Turkish (models)	45R9823	1
Hungarian (models)	45R9824	1
Greek (models)	45R9825	1
Simplified Chinese (models)	46R7313	1
Taiwan (models)	45R9827	1
HongKong (models)	45R9828	1
Korea (models)	45R9829	1
Slovenian (models)	46R7314	1
Portuguese (models)	45R9831	1
Arabic Localized (models)	45R9832	1
Hebrew (models)	45R9833	1
Slovakian (models)	45R9834	1

7096 Vista Ultimate 32 SP1 Recovery DVDs	FRU#	CRU
English (models)	46R7329	1
Japanese (models)	46R7330	1
Simplified Chinese (models)	46R7331	1
French (models)	46R7332	1
German (models)	46R7333	1
Spanish (models)	46R7334	1
Italian (models)	46R7335	1
Brazilian Portuguese (models)	46R7336	1
Danish (models)	46R7337	1
Swedish (models)	45R9874	1
Finland (models)	45R9875	1
Dutch (models)	45R9876	1
Traditional Chinese (models)	46R7338	1
Hong Kong (models)	46R7339	1
Norwegian (models)	46R7340	1
Korean (models)	45R9880	1
Slovenian (models)	45R9881	1
Greek (models)	45R9882	1
Russian (models)	46R7341	1
Portuguese (models)	45R9884	1
Turkish (models)	45R9885	1
Czech (models)	45R9886	1
Polish (models)	45R9887	1

7096 Vista Ultimate 32 SP1 Recovery DVDs	FRU#	CRU
Russian English (models)	46R5089	1
Arabic Localized (models)	46R7342	1
Hebrew (models)	45R9890	1
Hungarian (models)	45R9891	1
Slovakian (models)	45R9892	1

7096 Vista Starter 32 Recovery DVDs	FRU#	CRU
English (models)	46R5059	1

Machine Type 7098



Item #	7098 FRUs	FRU#	CRU
1	Hard disk drive,SATA 80GB 7200RPM/3Gb/8MB (models)	40Y9034	2
1	Hard disk drive,SATA 160GB 7200RPM/3Gb/8MB (models AAU AAF AAS AAP AAL AAD AAY AAG AAM AAA AAQ AAT AAC AAB AAH AAV AAK AAR AAE AAJ)	40Y9035	2
1	Hard disk drive,SATA 320GB 7200rpm SATA/8MB (models)	87H4891	2
2	Thermal kit (all models)	41R6039	2
3	Optical drive,DVD-ROM Drive - 16x/48x - SATA Vista & non-Vista (models)	41N3325	2
3	Optical drive,DVD-ROM/CD-RW Combo Drive - 48x/32x/48x/16x - SATA Vista & non-Vista (models AAU AAF AAS AAP AAL AAD AAY AAG AAM AAA AAQ AAT AAC AAB AAH AAV AAK AAR AAE AAJ)	42Y9353	2
3	Optical drive,DVD-RW/CD-RW Rambo 8 - SATA Vista & non-Vista (models)	43C1042	2
5	Microprocessor, Celeron 420 CONROE-L 800/1600MHZ-512K,LGA,EM64T(models)	43C3835	N

Item #	7098 FRUs	FRU#	CRU
5	Microprocessor, Celeron 430 CONROE-L 800/1800MHZ-512K,LGA,EM64T(models)	43C1964	N
5	Microprocessor, Celeron 440 CONROE-L 800/2000MHZ-512K,LGA,EM64T(models)	43C1965	N
5	Microprocessor, Pentium Dual-core E2140 CONROE-L 800/1600MHZ-1M, LGA, EM64T (models)	43C1967	N
5	Microprocessor, Pentium Dual-core E2160 CONROE-L 800/1800MHZ-1M, LGA, EM64T (models)	43C1968	N
5	Microprocessor, Core 2 Duo E4400 L2 CONROE 800/2000MHZ-2M, LGA, EM64T(models)	43C2056	N
5	Microprocessor,Core 2 Duo E6400 B2 CONROE 1066/2130MHZ-2M, LGA, EM64T L2 Value (models)	41X2496	N
5	Microprocessor, Pentium Dual-core E2200 CONROE-L 800/2200MHZ-1M, LGA, EM64T - NPI (models CTO)	45C5349	N
5	Microprocessor, Pentium Dual-core E2180 CONROE-L 800/2000MHZ-1M, LGA, EM64T - NPI (models CTO)	45C1773	N
5	Microprocessor, Pentium Dual-core E2220 CONROE-L 800/2400MHZ-1M, LGA, EM64T - NPI (models CTO)	45C1774	N
5	Microprocessor, Core 2 Duo E4600 M0 CONROE 800/2400MHZ-2M, LGA, EM64T - NPI (models CTO)	45C5282	N
5	Microprocessor, Core 2 Duo E4500 M0 CONROE 800/2200MHZ-2M, LGA, EM64T (models CTO)	43C6305	N
5	Microprocessor, Core 2 Duo E6850 G0 CONROE 1333/3000MHZ-4M, LGA, EM64T (models CTO)	43C1694	N
5	Microprocessor, Core 2 Duo E6750 G0 CONROE 1333/2660MHZ-4M, LGA, EM64T (models CTO)	43C1693	N
5	Microprocessor, Core 2 Duo E6550 G0 CONROE 1333/2330MHZ-4M, LGA, EM64T (models CTO)	43C3833	N
5	Microprocessor, Core 2 Quad G-0 Q6700 KENTSFIELD 1066/2660MHZ-8M (models CTO)	43C6309	N
5	Microprocessor, Core 2 Quad G-0 Q6600 KENTSFIELD 1066/2400MHZ-8M (models CTO)	43C1695	N
5	Microprocessor, Core 2 Duo E8500 WOLFDAL E 1333/3160MHZ-6M (models CTO)	45C7735	N
5	Microprocessor, Core 2 Duo E8400 WOLFDAL E 1333/3000MHZ-6M (models CTO)	45C7736	N
5	Microprocessor, Core 2 Duo E8200 WOLFDAL E 1333/2660MHZ-6M (models CTO)	45C7738	N
5	Microprocessor, Core 2 Duo E8190 WOLFDAL E 1333/2660MHZ-6M - NON VT/Vpro (models CTO)	45R2568	N
5	Microprocessor, Core 2 Quad Q9550 C-1 YORKFIELD 2.83GHz 1333MHZ FSB 12M L2 (models CTO)	45C7739	N
5	Microprocessor, Core 2 Quad Q9450 C-1 YORKFIELD 2.66GHz 1333MHZ FSB 12M L2 (models CTO)	45C7740	N
5	Microprocessor, Core 2 Quad Q9300 M-1 YORKFIELD 2.5GHz 1333MHZ FSB 6M L2 (models CTO)	45C7741	N
5	Microprocessor, Core 2 Duo E8300 C-0 WOLFDAL E 2.83GHz 1333MHZ FSB 6M L2 (models CTO)	45C7737	N
5	Microprocessor, Core 2 Duo E7300 M-0 2.66GHz 1066MHz FSB 3M L2 (models CTO)	46R1622	N
5	Microprocessor, Core 2 Duo E7200 M-0 2.53GHz 1066MHz FSB 3M L2 (models CTO)	45R8337	N

Item #	7098 FRUs	FRU#	CRU
5	Microprocessor, Core 2 Duo E4700 G-0 2.6GHz 800MHz FSB 2M L2 (models CTO)	45R5786	N
5	Microprocessor, Celeron Dual Core E1400 M-0 2.0GHz 800MHz FSB 512K L2 (models CTO)	45R8339	N
5	Microprocessor, Celeron Dual Core E1200 M-0 1.6GHz 800MHz FSB 512K L2, LGA, EM64T - NPI (models CTO)	45R8341	N
5	Microprocessor, Core 2 Duo E8600 E-0 WOLFDAL E 3.33GHz 1333MHZ FSB 6M L2 (models CTO)	46R8640	N
5	Microprocessor, Pentium Dual Core E5200 M-0 WOLFDAL E 2.5GHz 800MHZ FSB 2M L2 (models CTO)	46R9512	N
6	Memory module,512 MB PC-5300 (667MHz) DDR2 SDRAM (models)	41X4255	2
6	Memory module,1 GB PC-5300 (667MHz) DDR2 SDRAM (models AAU AAF AAS AAP AAL AAD AAY AAG AAM AAA AAQ AAT AAC AAB AAH AAV AAK AAR AAE AAJ)	41X4256	2
6	Memory module,2 GB PC-5300 (667MHz) DDR2 SDRAM (models)	41X4257	2
6	Memory module,512 MB PC2-6400 (800MHz) DDR2 SDRAM (models)	41X1079	2
6	Memory module,1GB PC-6400 (800MHz) DDR2 SDRAM (models)	41X1080	2
6	Memory module,2GB PC-6400 (800MHz) DDR2 SDRAM (models)	41X1081	2
7	System board, Intel G31 nano-BTX GA Level (models AAU AAF AAS AAP AAL AAD AAY AAG AAM AAA AAQ AAT AAC AAB AAH AAV AAK AAR AAE AAJ)	53Y5125	N
8	Power supply,280W Active PFC power supply for 10L---all countries (models AAU AAF AAS AAP AAL AAD AAY AAG AAM AAA AAQ AAT AAC AAB AAH AAV AAK AAR AAE AAJ)	41A9701	2
8	Power supply,280W 80+ power supply for 10L---all countries (models AAU AAF AAS AAP AAL AAD AAY AAG AAM AAA AAQ AAT AAC AAB AAH AAV AAK AAR AAE AAJ)	41A9717	2

The FRUs listed in the following tables are not illustrated.

7098 FRUs	FRU#	CRU
Power switch/LED cable assembly (all models)	41R3391	2
USB cable assembly (all models)	41R3392	2
SATA cable, 120mm (all models)	41R3328	2
SATA cable, 700mm (all models)	39K5026	2
Speaker/Cable assembly (all models)	39K5012	2
Temperature Sense cable (460 mm) (all models)	41R2509	2
System Fan (all models)	41R6042	2
System Fan assembly (all models)	41R6249	2
Floor Stand and Vertical Deflector (all models)	41R6251	1
Cpu Support Module (all models)	41R6252	N
HDD Tray assembly (all models)	41R6253	2
Internal Plastic (all models)	41R6254	2
Bezel, Plastic (all models)	41R6255	2
Front rotating cage assembly (all models)	41R6256	N
Top cover assembly (all models)	41R6257	2

7098 FRUs	FRU#	CRU
L1-C2 intrusion switch (all models)	39K5022	2
Rell IO shield BTX atlantic (all models)	41R6381	N
C2 Intrusion Switch (all models)	39K5022	2
Intel 95W/65W heatsink Kit (all models)	41R6039	2
Chassis atlantic (all models)	41R6275	N
10L FRONT I/O CABLE (models)	43N9015	2
Cabel-SATA 700mm (RoHS) (models)	43N9011	2
Universal Adapter Bracket 5.25 to 3.5 (models)	43N9361	2
ODD mounting kit (models)	43N9362	2
Cardreader Bezel Kit (models)	43N9363	2
FDD Retainer, 607AT, SFF (LX-607) (all models)	43N9681	2
Vertical Stand, Tampa/607CT (all models)	43N9644	N
HDD bracket ASM (all models)	43N9690	2
HDD bracket with cover b, for Toyota, Flex (all models)	43N9691	2
Fru,Tamdhu chassis primary HDD cage (all models)	45K6272	1
Fru,Tamdhu ruber foot(For acoustic improvement) (all models)	45K6278	2
BATTERY 3V-LITHIUM (TOWER,ROCKYS,LX-607) (models AAU AAF AAS AAP AAL AAD AAY AAG AAM AAA AAQ AAT AAC AAB AAH AAV AAK AAR AAE AAJ)	45C1566	N

7098 Keyboard (Lenovo USB Preferred -- without hub)	FRU#	CRU Tier
US English (models)	41A5039	1
Arabic (models)	41A5040	1
Arabic/French (models)	41A5041	1
Belgian/French (models)	41A5042	1
Belgian/English (models)	41A5043	1
Brazilian Portuguese (models)	41A5044	1
Bulgarian (models)	41A5045	1
Chinese/US (models)	41A5046	1
Czech (models)	41A5047	1
Danish (models)	41A5048	1
Dutch (models)	41A5049	1
French (models)	41A5050	1
French Canadian (models)	41A5051	1
French Canadian (models)	41A5052	1
German (models)	41A5053	1
Greek (models)	41A5054	1
Greek/US (models)	41A5080	1
Hebrew (models)	41A5055	1

7098 Keyboard (Lenovo USB Preferred -- without hub)	FRU#	CRU Tier
Hungarian (models)	41A5056	1
Iceland (models)	41A5057	1
Italian (models)	41A5058	1
Japanese (models)	41A5059	1
Korean (models)	41A5060	1
LA Spanish (models)	41A5061	1
Norwegian (models)	41A5062	1
Polish (models)	41A5063	1
Portuguese (models)	41A5064	1
Romanian (models)	41A5065	1
Russian/Cyrillic (models)	41A5066	1
Serbian/Cyrillic (models)	41A5067	1
Slovak (models)	41A5068	1
Spanish (models)	41A5069	1
Swedish/Finnish (models)	41A5070	1
Swiss (models)	41A5071	1
Thailand (models)	41A5072	1
Turkish (models)	41A5073	1
Turkish (models)	41A5074	1
UK English (models)	41A5075	1
US Euro (models)	41A5076	1
Slovenian (models)	41A5077	1

7098 Keyboard (Lenovo USB Preferred -- without hub)	FRU#	CRU Tier
US English (models AAU AAG AAM AAA AAQ AAH AAR AAE)	41A5289	1
Arabic (models AAG)	41A5290	1
Arabic/French (models)	41A5291	1
Belgian French (models AAG)	41A5292	1
Belgium English (models AAG)	41A5293	1
Brazilian Portuguese (models AAP)	41A5294	1
Bulgarian (models AAG)	41A5295	1
Chinese/US (models AAB AAV)	41A5296	1
Czech (ABB) (models AAG)	41A5297	1
Danish (models AAG)	41A5298	1
Dutch (models AAG)	41A5299	1
French (models AAG)	41A5300	1
French Canadian (models AAF)	41A5301	1
French Canadian (models AAF)	41A5302	1

7098 Keyboard (Lenovo USB Preferred -- without hub)	FRU#	CRU Tier
German (models AAG)	41A5303	1
Greek (models AAG)	41A5304	1
Greek/US (models AAG)	41A5305	1
Hebrew (models AAG)	41A5306	1
Hungarian (models AAG)	41A5307	1
Iceland (models AAG)	41A5308	1
Italian (models AAG)	41A5309	1
Japanese (models AAJ)	41A5310	1
Korean (models AAK)	41A5311	1
LA Spanish (models AAS AAD AAY)	41A5312	1
Norwegian (models AAG)	41A5313	1
Polish (models AAG)	41A5314	1
Portuguese (models AAG)	41A5315	1
Romanian (models AAG)	41A5317	1
Russian/Cyrillic (models AAG)	41A5318	1
Serbian/Cyrillic (models AAG)	41A5319	1
Slovak (models AAG)	41A5320	1
Spanish (models AAG)	41A5321	1
Swedish/Finnish (models AAG)	41A5322	1
Swiss French/German (models AAG)	41A5323	1
Thailand (models AAT)	41A5324	1
Turkish (models AAG)	41A5325	1
Turkish (models AAG)	41A5326	1
UK English (models AAG)	41A5327	1
US Euro (models AAG)	41A5328	1
Slovenian (models AAG)	41A5329	1

7098 Keyboard (Lenovo Enhanced Perf, USB Preferred -- with hub)	FRU#	CRU Tier
US English (models)	41A4961	1
Arabic (models)	41A4962	1
Arabic/French (models)	41A4963	1
Belgian/French (models)	41A4964	1
Belgium English (models)	41A4965	1
Brazilian Portuguese (models)	41A4966	1
Bulgarian (models)	41A4967	1
Chinese/US (models)	41A4968	1
Czech (ABB) (models)	41A4969	1
Danish (models)	41A4970	1

7098 Keyboard (Lenovo Enhanced Perf, USB Preferred -- with hub)	FRU#	CRU Tier
Dutch (models)	41A4971	1
French (models)	41A4972	1
French Canadian (models)	41A4973	1
French Canadian (models)	41A4974	1
German (models)	41A4975	1
Greek (models)	41A4976	1
Greek/US (models)	41A5078	1
Hebrew (models)	41A4977	1
Hungarian (models)	41A4978	1
Iceland (models)	41A4979	1
Italy (models)	41A4980	1
Japanese (models)	41A4981	1
Korean (models)	41A4982	1
LA Spanish (models)	41A4983	1
Norwegian (models)	41A4984	1
Polish (models)	41A4985	1
Portuguese (models)	41A4986	1
Romanian (models)	41A4987	1
Russian/Cyrillic (models)	41A4988	1
Serbian/Cyrillic (models)	41A4989	1
Slovak (models)	41A4990	1
Spanish (models)	41A4991	1
Swedish/Finnish (models)	41A4992	1
Swiss French/German (models)	41A4993	1
Thailand (models)	41A4994	1
Turkish (models)	41A4995	1
Turkish (models)	41A4996	1
UK English (models)	41A4997	1
US Euro (models)	41A4998	1
Slovenian (models)	41A4999	1

7098 Keyboard (Lenovo Fingerprint Reader USB)	FRU#	CRU Tier
US English (models)	41A5248	1
Arabic (models)	41A5249	1
Arabic/French (models)	41A5250	1
Belgian French (models)	41A5251	1
Belgium English (models)	41A5252	1
Brazilian Portuguese (models)	41A5253	1

7098 Keyboard (Lenovo Fingerprint Reader USB)	FRU#	CRU Tier
Bulgarian (models)	41A5254	1
Chinese/US (models)	41A5255	1
Czech (ABB) (models)	41A5256	1
Danish (models)	41A5257	1
Dutch (models)	41A5258	1
French (models)	41A5259	1
French Canadian (models)	41A5260	1
French Canadian (models)	41A5261	1
German (models)	41A5262	1
Greek (models)	41A5263	1
Greek/US (models)	41A5264	1
Hebrew (models)	41A5265	1
Hungarian (models)	41A5266	1
Iceland (models)	41A5267	1
Italy (models)	41A5268	1
Japanese (models)	41A5269	1
Korean (models)	41A5270	1
LA Spanish (models)	41A5271	1
Norwegian (models)	41A5272	1
Polish (models)	41A5273	1
Portuguese (models)	41A5274	1
Romanian (models)	41A5276	1
Russian/Cyrillic (models)	41A5277	1
Serbian/Cyrillic (models)	41A5278	1
Slovak (models)	41A5279	1
Spanish (models)	41A5280	1
Swedish/Finnish (models)	41A5281	1
Swiss French/German (models)	41A5282	1
Thailand (models)	41A5283	1
Turkish (models)	41A5284	1
Turkish (models)	41A5285	1
UK English (models)	41A5286	1
US Euro (models)	41A5287	1
Slovenian (models)	41A5288	1

7098 mice	FRU#	CRU
Optical Wheel Mouse (400DPI, USB) (models AAU AAF AAS AAP AAL AAD AAY AAG AAM AAA AAQ AAT AAC AAB AAH AAV AAK AAR AAE AAJ)	41U3013	1
Optical Wheel Mouse (400DPI, USB) (models AAU AAF AAS AAP AAL AAD AAY AAG AAM AAA AAQ AAT AAC AAB AAH AAV AAK AAR AAE AAJ)	41U3030	1
PS/2 Three Button ball mouse (41R0017) (models)	41R0018	1

7098 Adapters and miscellaneous FRUs	FRU#	CRU
USB Memory Key (models)	43R2296	1
USB Memory Key - 1G RoW (models)	41U4978	1
Soft Modem V.90/V.44 SFF (models CTO)	46R4220	2
IEEE 1394 Firewire Adapter SFF (models)	41D2781	2
Internal USB Memory Card Reader Slim (models)	45R1885	1
ATI HD 2400PRO 128MB 64BIT DMS59 LP (models)	43C0259	2
ATI HD 2400XT 256MB 64BIT DMS59 ATX (models)	43C0260	2
ADD2 DVI Adapter,LP (HDCP) (models)	43C0258	2
DVI-I connection Adapter Full Height (models)	39J9334	2
Speaker Power brick - US, Canada, LA low voltage, ASEAN (models AAU AAS AAA)	89P8571	1
Speaker Power brick - LA high voltage (non-APU) (models AAD AAY)	89P8575	1
Speaker Power brick - China, Thailand (models AAC AAT)	89P8581	1
Speaker Power brick - Japan (models AAJ)	89P8577	1
Speaker Power brick - Brazil (models AAP)	89P8583	1
Speaker Power brick - Argentina (models)	41A4901	1
Speaker Power brick - ANZ (models AAM)	89P8579	1
Speaker Brick - Korea (models AAK)	41A4903	1
Speaker Brick - Hong Kong, EMEA (models AAB AAH)	89P8573	1
Speaker Brick - Taiwan (models AAV)	41A4905	1
Speaker Power brick - India, South Africa (models AAQ)	89P8585	1
Dongle DMS Dule DMS-59 to dual VGA Cable(models)	42Y8181	2
Dongle DMS Dule DMS-59 to dual DVI Cable (models)	41X6398	2

9356 Line Cords	FRU#	CRU
Line cord - US (models AAU AAF AAS AAD AAL AAA AAT)	41R3184	1
Line cord - US (models AAU AAF AAS AAD AAL AAA AAT)	41R3185	1
Line cord - China (models AAC)	41R3256	1
Line cord - China (models AAC)	41R3257	1
Line cord - Brazil (models AAP)	41R3270	1
Line cord - Brazil (models AAP)	41R3271	1
Line cord - LA High Volt APU (models AAS)	41R3176	1
Line Cord - LA High Volt APU (models AAS)	41R3177	1
Line Cord - Korea (models AAK)	41R3260	1

9356 Line Cords	FRU#	CRU
Line Cord - Korea (models AAK)	41R3261	1
Line Cord - UK, Ireland, Singapore, Malaysia, Brunei (models AAG AAA)	41R3224	1
Line Cord - UK, Ireland, Singapore, Malaysia, Brunei (models AAG AAA)	41R3225	1
Line Cord - Taiwan (models AAV)	41R3278	1
Line Cord - Taiwan (models AAV)	41R3279	1
Line Cord - Italy (models AAS AAY AAL AAG)	41R3232	1
Line Cord - Italy (models AAS AAY AAL AAG)	41R3233	1
Line Cord - Indonesia, Laos, Cambodia, and Vietnam (models AAG AAA)	41R3208	1
Line Cord - Indonesia, Laos, Cambodia, and Vietnam (models AAG AAA)	41R3209	1
Line Cord - Denmark (models AAG)	41R3212	1
Line Cord - Denmark (models AAG)	41R3213	1
Line Cord - Switzerland (models AAG)	41R3228	1
Line Cord - Switzerland (models AAG)	41R3229	1
Line Cord - Israel (models AAG)	41R3236	1
Line Cord - Israel (models AAG)	41R3237	1
Line Cord - South Africa (models AAG AAM AAA)	41R3220	1
Line Cord - South Africa (models AAG AAM AAA)	41R3221	1
Line Cord - India (models AAQ)	41R3341	1
Line Cord - India (models AAQ)	41R3175	1
Line Cord - Japan (models AAJ)	41R3248	1
Line Cord - Japan (models AAJ)	41R3249	1
Line Cord - ANZ (models AAM)	41R3196	1
Line Cord - ANZ (models AAM)	41R3197	1
Line Cord - Hong Kong (models AAB AAH)	41R3224	1
Line Cord - Hong Kong (models AAB AAH)	41R3225	1

7098 Windows XP Home Recovery CDs	FRU#	CRU
US/UK/AP/TH (models)	TBD	1
FR/CF (models)	TBD	1
GR (models)	TBD	1
IT (models)	TBD	1
BR (models)	TBD	1
SP/LA (models)	TBD	1
DK (models)	TBD	1
NL (models)	TBD	1
AE (models)	TBD	1
SV (Swedish)(models)	TBD	1
HE (models)	TBD	1
FI (models)	TBD	1

7098 Windows XP Home Recovery CDs	FRU#	CRU
NO (models)	TBD	1
PL (models)	TBD	1
PO (models)	TBD	1
RU (models)	TBD	1
RE (models)	TBD	
HU (models)	TBD	1
CZ (models)	TBD	1
TR (models)	TBD	1
GK (models)	TBD	1
Japanese (models)	TBD	1
Simplified Chinese (models)	TBD	1
Taiwan-TC (models)	TBD	1
Hong Kong-TC (models)	TBD	1
Korean (models)	TBD	1

7098 Windows XP Pro Recovery CDs	FRU#	CRU
US/UK/AP/TH (models)	45R0756	1
FR/CF (models)	45R0759	1
GR (models)	45R0760	1
IT (models)	45R0762	1
BR (models)	45R0763	1
SP/LA (models)	45R0761	1
DK (models)	45R0764	1
NL (models)	45R0767	1
AE (models)	45R2342	1
SV (Swedish) (models)	45R0765	1
HE (models)	45R2334	1
FI (models)	45R0766	1
NO (models)	45R0770	1
PL (models)	45R0777	1
PO (models)	45R0774	1
RU (models)	45R0773	1
RE (models)	45R2318	1
HU (models)	45R0780	1
CZ (models)	45R0776	1
TR (models)	45R0775	1
GK (models)	45R0772	1
SL (models)	45R2326	1
Japanese (models)	45R0757	1

7098 Windows XP Pro Recovery CDs	FRU#	CRU
Simplified Chinese (models)	45R0758	1
Taiwan-TC (models)	45R0768	1
Hong Kong-TC (models)	45R0769	1
Korean (models)	45R0771	1
Multilingual 1 XP-Pro -- EN, NL, FR, GR, IT (models)	45R8246	1
Multilingual 2 XP-Pro -- EN, DK, FI, NO, SV (models)	45R8247	1

7098 Vista Home Basic 32 SP1 Recovery DVDs	FRU#	CRU
English (models)	46R7273	1
Japanese (models)	46R7274	1
Simplified Chinese (models)	46R7275	1
French (models)	46R7276	1
German (models)	46R7277	1
Spanish (models)	46R7278	1
Italian (models)	46R7279	1
Brazilian Portuguese (models)	46R7280	1
Danish (models)	46R7281	1
Swedish (models)	45R9758	1
Finland (models)	45R9759	1
Dutch (models)	45R9760	1
Traditional Chinese (models)	46R7282	1
Hong Kong (models)	46R7283	1
Norwegian (models)	46R7284	1
Korean (models)	45R9764	1
Slovenian (models)	45R9765	1
Greek (models)	45R9766	1
Russian (models)	46R7285	1
Portuguese (models)	45R9768	1
Turkish (models)	45R9769	1
Czech (models)	45R9770	1
Polish (models)	45R9771	1
Russian English (models)	46R7286	1
Arabic Localized (models)	45R9773	1
Hebrew (models)	45R9774	1
Hungarian (models)	45R9775	1
Slovakian (models)	45R9776	1

7098 Vista Business 32 SP1 Recovery DVDs	FRU#	CRU
English (models AAU AAG AAM AAQ AAA AAH AAR AAE)	46R7287	1
Japanese (models AAJ)	46R7288	1
Simplified Chinese (models AAC)	46R7289	1
French (models AAG AAF)	46R7290	1
German (models AAG)	46R7291	1
Spanish (models AAG)	46R7292	1
Italian (models AAG)	46R7293	1
Brazilian Portuguese (models AAP)	46R7294	1
Danish (models AAG)	46R7295	1
Swedish (models AAG)	45R9786	1
Finland (models AAG)	45R9787	1
Dutch (models AAG)	45R9788	1
Traditional Chinese (models AAC)	46R7296	1
Hong Kong (models AAB)	46R7297	1
Norwegian (models AAG)	46R7298	1
Korean (models AAK)	45R9792	1
Slovenian (models AAG)	45R9793	1
Greek (models AAG)	45R9794	1
Russian (models AAG)	46R7299	1
Portuguese (models AAG)	45R9796	1
Turkish (models AAG)	45R9797	1
Czech (models AAG)	45R9798	1
Polish (models AAG)	45R9799	1
Russian English (models AAG)	46R7300	1
Arabic Localized (models)	45R9801	1
Hebrew (models AAG)	45R9802	1
Romanian (models AAG)	45R9803	1
Hungarian (models AAG)	45R9804	1
Slovakian (models AAG)	45R9805	1
Serbian-Latin (models)	45R9806	1

7098 Vista VHP SP1 Recovery DVDs	FRU#	CRU
English (models)	46R7315	1
Japanese (models)	46R7316	1
Simplified Chinese (models)	46R7317	1
French (models)	46R7318	1
German (models)	46R7319	1
Spanish (models)	46R7320	1
Italian (models)	46R7321	1

7098 Vista VHP SP1 Recovery DVDs	FRU#	CRU
Brazilian Portuguese (models)	46R7322	1
Danish (models)	46R7323	1
Swedish (models)	45R9844	1
Finland (models)	45R9845	1
Dutch (models)	45R9846	1
Traditional Chinese (models)	46R7324	1
Hong Kong (models)	46R7325	1
Norwegian (models)	46R7326	1
Korean (models)	45R9850	1
Slovenian (models)	45R9851	1
Greek (models)	45R9852	1
Russian (models)	46R7327	1
Portuguese (models)	45R9854	1
Turkish (models)	45R9855	1
Czech (models)	45R9856	1
Polish (models)	45R9857	1
Russian English (models)	46R7328	1
Arabic Localized (models)	45R9859	1
Hebrew (models)	45R9860	1
Romanian (models)	45R9861	1
Hungarian (models)	45R9862	1
Slovakian (models)	45R9863	1
Serbian-Latin (models)	45R9864	1

7098 Vista Business 64 SP1 Recovery DVDs	FRU#	CRU
English (models)	46R7301	1
Russian English (models)	46R7302	1
French (models)	46R7303	1
German (models)	46R7304	1
Spanish (models)	46R7305	1
Brazilian Portuguese (models)	46R7306	1
Italian (models)	46R7307	1
Japanese (models)	46R7308	1
Norwegian (models)	46R7309	1
Swedish (models)	45R9816	1
Danish (models)	45R9817	1
Dutch (models)	45R9818	1
Czech (models)	46R7310	1
Finnish (models)	46R7311	1

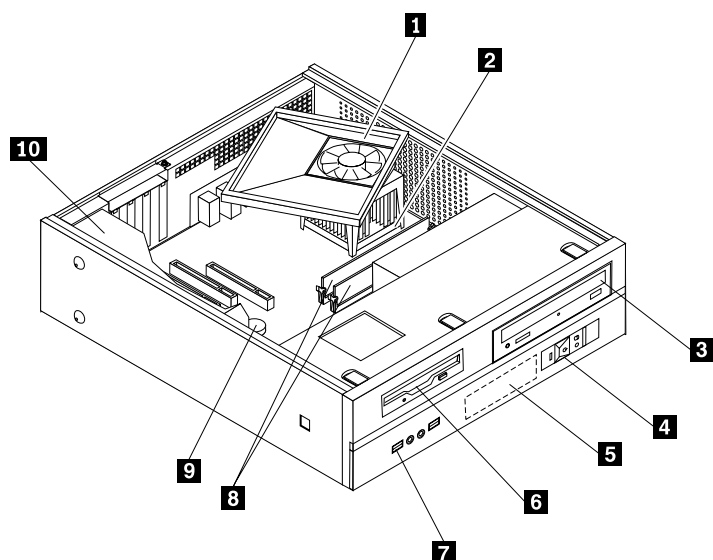
7098 Vista Business 64 SP1 Recovery DVDs	FRU#	CRU
Polish (models)	46R7312	1
Russian (models)	45R9822	1
Turkish (models)	45R9823	1
Hungarian (models)	45R9824	1
Greek (models)	45R9825	1
Simplified Chinese (models)	46R7313	1
Taiwan (models)	45R9827	1
HongKong (models)	45R9828	1
Korea (models)	45R9829	1
Slovenian (models)	46R7314	1
Portuguese (models)	45R9831	1
Arabic Localized (models)	45R9832	1
Hebrew (models)	45R9833	1
Slovakian (models)	45R9834	1

7098 Vista Ultimate 32 SP1 Recovery DVDs	FRU#	CRU
English (models)	46R7329	1
Japanese (models)	46R7330	1
Simplified Chinese (models)	46R7331	1
French (models)	46R7332	1
German (models)	46R7333	1
Spanish (models)	46R7334	1
Italian (models)	46R7335	1
Brazilian Portuguese (models)	46R7336	1
Danish (models)	46R7337	1
Swedish (models)	45R9874	1
Finland (models)	45R9875	1
Dutch (models)	45R9876	1
Traditional Chinese (models)	46R7338	1
Hong Kong (models)	46R7339	1
Norwegian (models)	46R7340	1
Korean (models)	45R9880	1
Slovenian (models)	45R9881	1
Greek (models)	45R9882	1
Russian (models)	46R7341	1
Portuguese (models)	45R9884	1
Turkish (models)	45R9885	1
Czech (models)	45R9886	1
Polish (models)	45R9887	1

7098 Vista Ultimate 32 SP1 Recovery DVDs	FRU#	CRU
Russian English (models)	46R5089	1
Arabic Localized (models)	46R7342	1
Hebrew (models)	45R9890	1
Hungarian (models)	45R9891	1
Slovakian (models)	45R9892	1

7098 Vista Starter 32 Recovery DVDs	FRU#	CRU
English (models)	46R5059	1

Machine Type 9349



Item #	9349 FRUs	FRU#	CRU
1	Heat Sink/RM Kit Intel (all models)	41R6022	N
1	Heat Sink/RM Kit Intel (all models)	41N8261	2
2	Microprocessor, Celeron 420 CONROE-L 800/1600MHZ-512K,LGA,EM64T (models)	43C3835	N
2	Microprocessor, Celeron 430 CONROE-L 800/1800MHZ-512K,LGA,EM64T (models)	43C1964	N
2	Microprocessor, Celeron 440 CONROE-L 800/2000MHZ-512K,LGA,EM64T (models)	43C1965	N
2	Microprocessor, Pentium Dual-core E2140 CONROE-L 800/1600MHZ-1M, LGA, EM64T (models)	43C1967	N
2	Microprocessor, Pentium Dual-core E2160 CONROE-L 800/1800MHZ-1M, LGA, EM64T (models)	43C1968	N
2	Microprocessor, Core 2 Duo E4400 L2 CONROE 800/2000MHZ-2M, LGA, EM64T (models)	43C2056	N
2	Microprocessor, Core 2 Duo E6400 B2 CONROE 1066/2130MHZ-2M, LGA, EM64T L2 Value (models)	41X2496	N
2	Microprocessor, Pentium Dual-core E2200 CONROE-L 800/2200MHZ-1M, LGA, EM64T - NPI (models CTO)	45C5349	N

Item #	9349 FRUs	FRU#	CRU
2	Microprocessor, Pentium Dual-core E2180 CONROE-L 800/2000MHZ-1M, LGA, EM64T - NPI (models CTO)	45C1773	N
2	Microprocessor, Pentium Dual-core E2220 CONROE-L 800/2400MHZ-1M, LGA, EM64T - NPI (models CTO)	45C1774	N
2	Microprocessor, Core 2 Duo E4600 M0 CONROE 800/2400MHZ-2M, LGA, EM64T - NPI (models CTO)	45C5282	N
2	Microprocessor, Core 2 Duo E4500 M0 CONROE 800/2200MHZ-2M, LGA, EM64T (models CTO)	43C6305	N
2	Microprocessor, Core 2 Duo E6850 G0 CONROE 1333/3000MHZ-4M, LGA, EM64T (models CTO)	43C1694	N
2	Microprocessor, Core 2 Duo E6750 G0 CONROE 1333/2660MHZ-4M, LGA, EM64T (models CTO)	43C1693	N
2	Microprocessor, Core 2 Duo E6550 G0 CONROE 1333/2330MHZ-4M, LGA, EM64T (models CTO)	43C3833	N
2	Microprocessor, Core 2 Quad G-0 Q6700 KENTSFIELD 1066/2660MHZ-8M (models CTO)	43C6309	N
2	Microprocessor, Core 2 Quad G-0 Q6600 KENTSFIELD 1066/2400MHZ-8M (models CTO)	43C1695	N
2	Microprocessor, Core 2 Duo E8500 WOLFDALÉ 1333/3160MHZ-6M (models CTO)	45C7735	N
2	Microprocessor, Core 2 Duo E8400 WOLFDALÉ 1333/3000MHZ-6M (models CTO)	45C7736	N
2	Microprocessor, Core 2 Duo E8200 WOLFDALÉ 1333/2660MHZ-6M (models CTO)	45C7738	N
2	Microprocessor, Core 2 Duo E8190 WOLFDALÉ 1333/2660MHZ-6M - NON VT/Vpro (models CTO)	45R2568	N
2	Microprocessor, Core 2 Quad Q9550 C-1 YORKFIELD 2.83GHz 1333MHZ FSB 12M L2 (models CTO)	45C7739	N
2	Microprocessor, Core 2 Quad Q9450 C-1 YORKFIELD 2.66GHz 1333MHZ FSB 12M L2 (models CTO)	45C7740	N
2	Microprocessor, Core 2 Quad Q9300 M-1 YORKFIELD 2.5GHz 1333MHZ FSB 6M L2 (models CTO)	45C7741	N
2	Microprocessor, Core 2 Duo E8300 C-0 WOLFDALÉ 2.83GHz 1333MHZ FSB 6M L2 (models CTO)	45C7737	N
2	Microprocessor, Core 2 Duo E7300 M-0 2.66GHz 1066MHz FSB 3M L2 (models CTO)	46R1622	N
2	Microprocessor, Core 2 Duo E7200 M-0 2.53GHz 1066MHz FSB 3M L2 (models CTO)	45R8337	N
2	Microprocessor, Core 2 Duo E4700 G-0 2.6GHz 800MHz FSB 2M L2 (models CTO)	45R5786	N
2	Microprocessor, Celeron Dual Core E1400 M-0 2.0GHz 800MHz FSB 512K L2 (models CTO)	45R8339	N
2	Microprocessor, Celeron Dual Core E1200 M-0 1.6GHz 800MHz FSB 512K L2, LGA, EM64T - NPI (models CTO)	45R8341	N
2	Microprocessor, Core 2 Duo E8600 E-0 WOLFDALÉ 3.33GHz 1333MHZ FSB 6M L2 (models CTO)	46R8640	N
3	DVD-ROM Drive - 16x/48x - SATA Vista & non-Vista (models)	41N3325	2
3	DVD-ROM/CD-RW Combo Drive - 48x/32x/48x/16x - SATA Vista & non-Vista (models)	42Y9353	2
3	DVD-RW/CD-RW Rambo 8 - SATA Vista & non-Vista (models B1S B1P B1D B1Y)	43C1042	2
4	Front Power/LED PC, bracket, and cable (all models)	41N8213	2

Item #	9349 FRUs	FRU#	CRU
5	Hard disk drive, SATA 80GB 7200RPM/3Gb/8MB (models)	40Y9034	2
5	Hard disk drive, SATA 160GB 7200RPM/3Gb/8MB (models B1S B1P B1D B1Y)	40Y9035	2
5	Hard disk drive, SATA 320GB 7200rpm SATA/8MB (models)	87H4891	2
6	Diskette drive, 3,5", 1.44MB, 2-mode, (w/bezel) (models)	40Y9105	2
6	Diskette drive, 3,5", 1.44MB, 2-mode, (w/bezel) (models)	40Y9107	2
7	Front USB/Audio with bracket (all models)	41N8212	2
8	Memory module, 512 MB PC-5300 (667MHz) DDR2 SDRAM (models)	41X4255	2
8	Memory module, 1 GB PC-5300 (667MHz) DDR2 SDRAM (models B1S B1P B1D B1Y)	41X4256	2
8	Memory module, 2 GB PC-5300 (667MHz) DDR2 SDRAM (models)	41X4257	2
8	Memory module, 512 MB PC2-6400 (800MHz) DDR2 SDRAM (models)	41X1079	2
8	Memory module, 1GB PC-6400 (800MHz) DDR2 SDRAM (models)	41X1080	2
8	Memory module, 2GB PC-6400 (800MHz) DDR2 SDRAM (models)	41X1081	2
9	System board, Intel G31 mATX GA Level (models B1S B1P B1D B1Y)	53Y3282	N
10	Power supply, 220 Watt Power Supply - Robust; for all countries except for JP (models B1S B1P B1D B1Y)	41A9689	N
10	Power supply, 220 Watt Power Supply - Japan (models)	41A9697	2
10	Power supply, 220W 80% Power supply-for all countries (models B1S B1P B1D B1Y)	41A9670	2
10	Power supply, 280W TFX 280W PS, Active PFC, for RockyS-for all countries (models B1S B1P B1D B1Y)	41A9705	2

The FRUs listed in the following tables are not illustrated.

9349 FRUs	FRU#	CRU
Planer shield, Atx 946,G31 with usb number (all models)	41R6384	N
Cabel, SATA 250mm (RoHS) (all models)	43N9012	2
Shield, EMC , Blank 5.25 (all models)	41N8271	2
Shield, EMC , Blank diskette drive (all models)	41N8273	2
Cover (all models)	41N8204	2
Mechanical shell kit (all models)	41R6387	N
Bezel kit, without IBM logo (all models)	41R6238	2
Miscellaneous hardware kit (all models)	41N8209	2
Hard disk drive bracket assembly (plastic and grommets) (all models)	41N8210	2
Hard disk drive fan and bracket asm (all models)	41R6325	2
Speaker cable assembly, 600 mm cable length (all models)	41N8217	2
Fan duct assembly (all models)	41R4808	2
Rear USB 2Ports II LP (R), low profile I/O, 200mm, Rohs (all models)	42Y8006	2
Retention module assembly, Intel (all models)	41A7139	N
Intrusion switch assembly (all models)	41R6208	2
Foot stand (all models)	41R4813	1

9349 FRUs	FRU#	CRU
Cable, diskette drive (all models)	41A7147	2
Cable, serial ATA, 250 mm (all models)	41A7145	2
Planer shield, Atx 946, with usb number (all modes)	41R6378	N
Rear Com2 cable , Rohs (all models)	41R6198	2
Rear Com2 cable II LP(R), low profile I/O, 250mm, Rohs (all models)	42Y8008	2
Fru,Tamdhu chassis primary HDD cage (all models)	45K6272	1
Fru,Tamdhu ruber foot(For acoustic improvement) (all models)	45K6278	2
BATTERY 3V-LITHIUM (TOWER,ROCKYS,LX-607) (models B1S B1P B1D B1Y)	45C1566	N

9349 Keyboard (Lenovo USB Preferred -- without hub)	FRU#	CRU Tier
US English (models)	41A5039	1
Arabic (models)	41A5040	1
Arabic/French (models)	41A5041	1
Belgian/French (models)	41A5042	1
Belgian/English (models)	41A5043	1
Brazilian Portuguese (models)	41A5044	1
Bulgarian (models)	41A5045	1
Chinese/US (models)	41A5046	1
Czech (models)	41A5047	1
Danish (models)	41A5048	1
Dutch (models)	41A5049	1
French (models)	41A5050	1
French Canadian (models)	41A5051	1
French Canadian (models)	41A5052	1
German (models)	41A5053	1
Greek (models)	41A5054	1
Greek/US (models)	41A5080	1
Hebrew (models)	41A5055	1
Hungarian (models)	41A5056	1
Iceland (models)	41A5057	1
Italian (models)	41A5058	1
Japanese (models)	41A5059	1
Korean (models)	41A5060	1
LA Spanish (models)	41A5061	1
Norwegian (models)	41A5062	1
Polish (models)	41A5063	1
Portuguese (models)	41A5064	1
Romanian (models)	41A5065	1

9349 Keyboard (Lenovo USB Preferred -- without hub)	FRU#	CRU Tier
Russian/Cyrillic (models)	41A5066	1
Serbian/Cyrillic (models)	41A5067	1
Slovak (models)	41A5068	1
Spanish (models)	41A5069	1
Swedish/Finnish (models)	41A5070	1
Swiss (models)	41A5071	1
Thailand (models)	41A5072	1
Turkish (models)	41A5073	1
Turkish (models)	41A5074	1
UK English (models)	41A5075	1
US Euro (models)	41A5076	1
Slovenian (models)	41A5077	1

9349 Keyboard (Lenovo USB Preferred -- without hub)	FRU#	CRU Tier
US English (models AAU ABU ACU ADU AGM AGA AHM AHA AJM AJA AVG AWG B2G B1U APU AQU ARU ASU ATU AUU B8U B9U BAU A2U BCM BCA BCQ BDM BDA BDQ BEM BEA BEQ BWH A4M A4A A4Q BZG A3U BBM BFM BGA BGQ BHA BHQ BJM BKM BMA BMQ BPM BQA BQQ BSM BTM BUM BVM DDMDEM DEA DAM DAA DBM DBA DCA BYM BBA BBQ BFA BFQ BJA BJQ BKA BKQ BPA BPQ BSA BSQ BTA BTQ BUA BVA BVQ DEQ DBQ DCQ BLA BLQ DFM DFA DFQ DGU DGG DGM DGA DGQ DHU DHG DHM DHA DHQ DJU DJG DJM DJQ DJA DKG AAU ABU ACU ADU D8A D8Q D9A D9Q E1M E1A E1Q E2M E2A E2Q D6U EKM EKA EKQ ELM ELA ELQ EMM EMA EMQ ENM ENA ENQ EGM EGA EGQ EHM EHA EHQ EJA EJQ EFM EFA EFQ EBU E5U E6U E7U E8U E9U AWU F5M F5A F5Q F6M F6A F6Q F1U F2U F8A F8Q F9A F9Q FBM FBA FBQ F7G)	41A5289	1
Arabic (models)	41A5290	1
Arabic/French (models AVG AWG B2G BZG DGG DHG DJG DKG F4G F7G)	41A5291	1
Belgian/French (models AVG AWG B2G BZG DGG DHG DJG DKG F4G F7G)	41A5292	1
Belgian/UK (models AVG AWG B2G BZG DGG DHG DJG DKG F4G F7G)	41A5293	1
Brazilian Portuguese (models)	41A5294	1
Bulgarian (models AVG AWG B2G BZG DGG DHG DJG DKG F4G F7G)	41A5295	1
Chinese/US (models)	41A5296	1
Czech(ABB) (models AVG AWG B2G BZG DGG DHG DJG DKG F4G F7G)	41A5297	1
Danish (models AVG AWG B2G BZG DGG DHG DJG DKG F4G F7G)	41A5298	1
Dutch (models AVG AWG B2G BZG DGG DHG DJG DKG F4G F7G)	41A5299	1
French (models AVG AWG B2G BZG DGG DHG DJG DKG F4G F7G)	41A5300	1
French Canadian (models)	41A5301	1
French Canadian (models)	41A5302	1
German (models AVG AWG B2G BZG DGG DHG DJG DKG F4G F7G)	41A5303	1
Greek (models AVG AWG B2G BZG DGG DHG DJG DKG F4G F7G)	41A5304	1
Greek/US (models AVG AWG B2G BZG DGG DHG DJG DKG F4G F7G)	41A5305	1
Hebrew (models AVG AWG B2G BZG DGG DHG DJG DKG F4G F7G)	41A5306	1

9349 Keyboard (Lenovo USB Preferred -- without hub)	FRU#	CRU Tier
Hungarian (models AVG AWG B2G BZG DGG DHG DJG DKG F4G F7G)	41A5307	1
Iceland (models AVG AWG B2G BZG DGG DHG DJG DKG F4G F7G)	41A5308	1
Italian (models AVG AWG B2G BZG DGG DHG DJG DKG F4G F7G)	41A5309	1
Japanese (models BDJ BEJ A4J BFJ BKJ BPJ BSJ BTJ DEJ DBJ DGJ DHJ DJJ E1J E2J EKJ ELJ EGJ F5J F6J)	41A5310	1
Korean (models BEK A4K BBK BFK BKK BPK BSK BTK DEK DBK BLK DGK DHK DJK E1K E2K EMK ENK EGK F5K F6K FBK)	41A5311	1
LA Spanish (models AES AEY AFS AFY B4S B4D B4Y B6S B6D B6Y B7S B7D B7Y B5S B5D B5Y A5S A5D A5Y A6S A6D A6Y A8S A9S A9D A9Y DGS DGL DGD SGY DGS DGD DGY DHS DHD DHY DJS DJD DJY DQS DQD DQY DRS DSS DSD DSY ECS ECD ECY EDS EDD EDY F3S F3Y)	41A5312	1
Norwegian (models AVG AWG B2G BZG DGG DHG DJG DKG F4G F7G)	41A5313	1
Polish (models AVG AWG B2G BZG DGG DHG DJG DKG F4G F7G)	41A5314	1
Portuguese (models AVG AWG B2G BZG DGG DHG DJG DKG F4G F7G)	41A5315	1
Romanian (models AVG AWG B2G BZG DGG DHG DJG DKG F4G F7G)	41A5317	1
Russian/Cyrillic (models AVG AWG B2G BZG DGG DHG DJG DKG F4G F7G)	41A5318	1
Serbian/Cyrillic (models AVG AWG B2G BZG DGG DHG DJG DKG F4G F7G)	41A5319	1
Slovak (models AVG AWG B2G BZG DGG DHG DJG DKG F4G F7G)	41A5320	1
Spanish (models AVG AWG B2G BZG DGG DHG DJG DKG F4G F7G)	41A5321	1
Swedish/Finnish (models AVG AWG B2G BZG DGG DHG DJG DKG F4G F7G)	41A5322	1
Swiss French/German (models AVG AWG B2G BZG DGG DHG DJG DKG F4G F7G)	41A5323	1
Thailand (models AVG AWG B2G BZG DGG DHG DJG DKG F4G F7G)	41A5324	1
Turkish (models AVG AWG B2G BZG DGG DHG DJG DKG F4G F7G)	41A5325	1
Turkish (models AVG AWG B2G BZG DGG DHG DJG DKG F4G F7G)	41A5326	1
UK English (models AVG AWG B2G BZG DGG DHG DJG DKG F4G F7G)	41A5327	1
US Euro (models AVG AWG B2G BZG DGG DHG DJG DKG F4G F7G)	41A5328	1
Slovenian (models AVG AWG B2G BZG DGG DHG DJG DKG F4G F7G)	41A5329	1

9349 Keyboard (Lenovo Enhanced Perf, USB Preferred -- with hub)	FRU#	CRU Tier
US English (models)	41A4961	1
Arabic (models)	41A4962	1
Arabic/French (models)	41A4963	1
Belgian/French (models)	41A4964	1
Belgian/UK (models)	41A4965	1
Brazilian Portuguese (models)	41A4966	1
Bulgarian (models)	41A4967	1
Chinese/US (models)	41A4968	1
Czech(ABB) (models)	41A4969	1
Danish (models)	41A4970	1

9349 Keyboard (Lenovo Enhanced Perf, USB Preferred -- with hub)	FRU#	CRU Tier
Dutch (models)	41A4971	1
French (models)	41A4972	1
French Canadian (models)	41A4973	1
French Canadian (models)	41A4974	1
German (models)	41A4975	1
Greek (models)	41A4976	1
Greek/US (models)	41A5078	1
Hebrew (models)	41A4977	1
Hungarian (models)	41A4978	1
Iceland (models)	41A4979	1
Italian (models)	41A4980	1
Japanese (models)	41A4981	1
Korean (models)	41A4982	1
LA Spanish (models)	41A4983	1
Norwegian (models)	41A4984	1
Polish (models)	41A4985	1
Portuguese (models)	41A4986	1
Romanian (models)	41A4987	1
Russian/Cyrillic (models)	41A4988	1
Serbian/Cyrillic (models)	41A4989	1
Slovak (models)	41A4990	1
Spanish (models)	41A4991	1
Swedish/Finnish (models)	41A4992	1
Swiss French/German (models)	41A4993	1
Thailand (models)	41A4994	1
Turkish (models)	41A4995	1
Turkish (models)	41A4996	1
UK English (models)	41A4997	1
US Euro (models)	41A4998	1
Slovenian (models)	41A4999	1

9349 Keyboard (Lenovo Fingerprint Reader USB)	FRU#	CRU Tier
US English (models)	41A5248	1
Arabic (models)	41A5249	1
Arabic/French (models)	41A5250	1
Belgian/French (models)	41A5251	1
Belgian/UK (models)	41A5252	1
Brazilian Portuguese (models)	41A5253	1

9349 Keyboard (Lenovo Fingerprint Reader USB)	FRU#	CRU Tier
Bulgarian (models)	41A5254	1
Chinese/US (models)	41A5255	1
Czech(ABB) (models)	41A5256	1
Danish (models)	41A5257	1
Dutch (models)	41A5258	1
French (models)	41A5259	1
French Canadian (models)	41A5260	1
French Canadian (models)	41A5261	1
German (models)	41A5262	1
Greek (models)	41A5263	1
Greek/US (models)	41A5264	1
Hebrew (models)	41A5265	1
Hungarian (models)	41A5266	1
Iceland (models)	41A5267	1
Italian (models)	41A5268	1
Japanese (models)	41A5269	1
Korean (models)	41A5270	1
LA Spanish (models)	41A5271	1
Norwegian (models)	41A5272	1
Polish (models)	41A5273	1
Portuguese (models)	41A5274	1
Romanian (models)	41A5276	1
Russian/Cyrillic (models)	41A5277	1
Serbian/Cyrillic (models)	41A5278	1
Slovak (models)	41A5279	1
Spanish (models)	41A5280	1
Swedish/Finnish (models)	41A5281	1
Swiss French/German (models)	41A5282	1
Thailand (models)	41A5283	1
Turkish (models)	41A5284	1
Turkish (models)	41A5285	1
UK English (models)	41A5286	1
US Euro (models)	41A5287	1
Slovenian (models)	41A5288	1

9349 mice	FRU#	CRU
Optical Wheel Mouse (400DPI, USB) (all models)	41U3013	1
Optical Wheel Mouse (400DPI, USB) (all models)	41U3030	1
PS/2 2 Button Ball Mouse (models)	41R0018	1

9349 Adapters and miscellaneous FRUs	FRU#	CRU
Internal USB Memory Card Reader floppy bay (models)	41R3378	2
Internal USB 20 in 1 Memory CardReader floppy bay (models)	45R8139	2
USB Memory Key (models)	43R2296	2
Internal USB Memory Card Reader floppy bay (models)	41R3376	2
IEEE 1394 Firewire Adapter SFF (models)	41D2781	2
Soft Modem V.90/V.44 SFF (models CTO)	46R4220	2
USB Memory Key - 1G RoW (models)	41U4978	1
ATI HD 2400PRO 128MB 64BIT DMS59 LP (models)	43C0259	2
ATI HD 2400XT 256MB 64BIT DMS59 LP (models)	43C0260	2
ADD2 DVI Adapter,LP (HDCP) (models)	43C0258	2
DVI-I connection Adapter Full Height (models)	39J9334	2
DVI-I connection Adapter Low Profile (models)	39J9334	2
Speaker Power brick - US, Canada, LA low voltage,ASEAN (models AAU ABU ACU ADU AES AFS AGA AHA B1U APU AQU ARU ASU ATU AUU B4S B6S B7S B8U B9U BAU B5S A5S A6S BCA BDA BEA A4A A3U A8S A9S BGA BHA BQA DEA DAA DBA DCA DGU DHU DJU DGS DHS DJS DGA DHA DJA DQS DRS DSS AAU ABU ACU ADU D8A D9A E1A E2A D6U EBU E5U E6U E7U E8U E9U ECS EDS EKA ELA EMA ENA EGA EHA EJA EFA F5A F6A F1U F2U F3S F8A F9A FBA)	89P8571	1
Speaker Power brick - LA high voltage (non-APU) (models B1D)	89P8575	1
Speaker Power brick - China, Thailand (models AKC ALC AMC BCC BDC BEC A4C BCT BDT BET A4T DGT DGC DHT DHC DJC DJT DPC DTT D8T D9T E1T E2T E3T D2C D3C EKT ELT EMT ENT EGT EHT EJT EFT F5T F6T F8T F9T FBT)	89P8581	1
Speaker Power brick - Japan (models)	89P8577	1
Speaker Power brick - Brazil (models)	89P8583	1
Speaker Power brick - Argentina (models)	41A4901	1
Speaker Power brick - ANZ (models)	89P8579	1
Speaker Brick - Korea (models)	41A4903	1
Speaker Brick - Hong Kong, EMEA (models BWH DGH DHH DJH DHG DGG DJG DKG F4G F7G)	89P8573	1
Speaker Brick - Taiwan (models)	41A4905	1
Speaker Power brick - India, South Africa (models BCQ BDQ BEQ A4Q BGQ BHQ BMQ BQQ BBQ BFQ BJQ BKQ BPQ BSQ BTQ BVQ DEQ DBQ DCQ BLQ DFQ DGQ DHQ DJQ D8Q D9Q E1Q E2Q EKQ ELQ EMQ ENQ EGQ EHQ EJQ EFQ F5Q F6Q F8Q F9Q FBQ)	89P8585	1
Dongle DMS Dule DMS-59 to dual VGA Cable (models)	42Y8181	2
Dongle DMS Dule DMS-59 to dual DVI Cable (models)	41X6398	2

9349 Line Cords	FRU#	CRU
Line cord - US (models AAU ABU ACU ADU AGA AGT AHA AHT AJA B1U APU AQU ARU ASU ATU AUU B1F APF AQF ARF ASF ATF AUF B4S B6S B7S B4D B6D B7D B8U B8F B9U B9F BAU BAF B5S B5D A5S A5D A6S A6D BCA BCT BDA BDT BEA BET A4A A4T A3U A3F A8S A9S A9D BBA BBT BFA BFT BJA BKA BKT BPA BPT BSA BST BTA BTT BUA BVA DET DBT DCQ BLA BLT DFA DFT DGU DGF DGS DGL DGA DGT DHU DHF DHG DHS DHL DHA DHT DJU DJF DJG DJS DJL DJA DJT DTT AAU ABU ACU ADU D8A D9A E1A E2A D8T D9T E1T E2T E3T D6U D6F EKA ELA EMA ENA EGA EHA EJA EFA EKT EKT ELT EMT ENT EGT EHT EJT EFT EBU E5U E6U E7U E8U E9U EBF E5F E6F E7F E8F E9F ECS EDS ECD EDD F1U F1F F2U F2F F3S F5A F5T F6A F6T F8A F9A FBA F8T F9T FBT)	41R3184	1
Line cord - US (models AAU ABU ACU ADU AGA AGT AHA AHT AJA B1U APU AQU ARU ASU ATU AUU B1F APF AQF ARF ASF ATF AUF B4S B6S B7S B4D B6D B7D B8U B8F B9U B9F BAU BAF B5S B5D A5S A5D A6S A6D BCA BCT BDA BDT BEA BET A4A A4T A3U A3F A8S A9S A9D BBA BBT BFA BFT BJA BKA BKT BPA BPT BSA BST BTA BTT BUA BVA DET DBT DCQ BLA BLT DFA DFT DGU DGF DGS DGL DGA DGT DHU DHF DHG DHS DHL DHA DHT DJU DJF DJG DJS DJL DJA DJT DTT AAU ABU ACU ADU D8A D9A E1A E2A D8T D9T E1T E2T E3T D6U D6F EKA ELA EMA ENA EGA EHA EJA EFA EKT EKT ELT EMT ENT EGT EHT EJT EFT EBU E5U E6U E7U E8U E9U EBF E5F E6F E7F E8F E9F ECS EDS ECD EDD F1U F1F F2U F2F F3S F5A F5T F6A F6T F8A F9A FBA F8T F9T FBT)	41R3185	1
Line cord - China (models)	41R3256	1
Line cord - China (models)	41R3257	1
Line cord - Brazil (models B1P)	41R3270	1
Line cord - Brazil (models B1P)	41R3271	1
Line cord - LA High Volt APU (models B1Y)	41R3176	1
Line Cord - LA High Volt APU (models B1Y)	41R3177	1
Line Cord - Korea (models)	41R3260	1
Line Cord - Korea (models)	41R3261	1
Line Cord - UK, Ireland, Singapore, Malaysia, Brunei (models)	41R3224	1
Line Cord - UK, Ireland, Singapore, Malaysia, Brunei (models)	41R3225	1
Line Cord - Taiwan (models)	41R3278	1
Line Cord - Taiwan (models)	41R3279	1
Line Cord - Italy (models B1Y)	41R3232	1
Line Cord - Italy (models B1Y)	41R3233	1
Line Cord - Indonesia, Laos, Cambodia, and Vietnam (models AGA AHA AJA AVG AWG B2G BCA BDA BEA A4A BZG BCA BDA BEA A4A BBA BFA BJA BKA BPA BSA BTA BUA BVA BLA DFA DGG DGA DKG D8A D9A E1A E2A EKA ELA EMA ENA EGA EHA EJA EFA F4G F5A F6A F7G)	41R3208	1
Line Cord - Indonesia, Laos, Cambodia, and Vietnam (models AGA AHA AJA AVG AWG B2G BCA BDA BEA A4A BZG BCA BDA BEA A4A BBA BFA BJA BKA BPA BSA BTA BUA BVA BLA DFA DGG DGA DKG D8A D9A E1A E2A EKA ELA EMA ENA EGA EHA EJA EFA F4G F5A F6A F7G)	41R3209	1
Line Cord - Denmark (models AVG AWG B2G BZG DGG DHG DJG DKG F4G F7G)	41R3212	1
Line Cord - Denmark (models AVG AWG B2G BZG DGG DHG DJG DKG F4G F7G)	41R3213	1
Line Cord - Switzerland (models AVG AWG B2G BZG DGG DHG DJG DKG F4G F7G)	41R3228	1
Line Cord - Switzerland (models AVG AWG B2G BZG DGG DHG DJG DKG F4G F7G)	41R3229	1
Line Cord - Israel (models AVG AWG B2G BZG DGG DHG DJG DKG F4G F7G)	41R3236	1
Line Cord - Israel (models AVG AWG B2G BZG DGG DHG DJG DKG F4G F7G)	41R3237	1

9349 Line Cords	FRU#	CRU
Line Cord - South Africa (models)	41R3220	1
Line Cord - South Africa (models)	41R3221	1
Line Cord - India (models)	41R3341	1
Line Cord - India (models)	41R3175	1
Line Cord - Japan (models)	41R3248	1
Line Cord - Japan (models)	41R3249	1
Line Cord - ANZ (models)	41R3196	1
Line Cord - ANZ (models)	41R3197	1
Line Cord - Hong Kong (models)	41R3224	1
Line Cord - Hong Kong (models)	41R3225	1
China (models)	43N9033	1
Japan (models)	43N9034	1
ANZ (models)	43N9035	1
Hong Kong Singapore, Malaysia, Brunei, Ireland (models)	43N9036	1
Taiwan (models)	43N9037	1
Italy (models B1Y)	43N9038	1
Indonesia, Laos, Cambodia, and Vietnam, Austria, Belgium, Croatia Czechoslovakia, Finland, France, Germany, Hungary, Netherlands, Norway, Poland, Portugal, Romania, Spain, Sweden (models)	43N9039	1
Denmark (models)	43N9040	1
Switzerland (models)	43N9041	1
India (models)	43N9042	1

9349 Windows XP Home Recovery CDs	FRU#	CRU
US/UK/AP/TH (models)	TBD	1
FR/CF (models)	TBD	1
GR (models)	TBD	1
IT (models)	TBD	1
BR (models)	TBD	1
SP/LA (models)	TBD	1
DK (models)	TBD	1
NL (models)	TBD	1
AE (models)	TBD	1
SV (models)	TBD	1
HE (models)	TBD	1
FI (models)	TBD	1
NO (models)	TBD	1
PL (models)	TBD	1
PO (models)	TBD	1
RU (models)	TBD	1

9349 Windows XP Home Recovery CDs	FRU#	CRU
RE (models)	TBD	1
HU (models)	TBD	1
CZ (models)	TBD	1
TR (models)	TBD	1
GK (models)	TBD	1
Japanese (models)	TBD	1
Simplified Chinese (models)	TBD	1
Taiwan-TC (models)	TBD	1
Hong Kong-TC (models)	TBD	1
Korea (models)	TBD	1

9349 Windows XP Pro Recovery CDs	FRU#	CRU
US/UK/AP/TH (models B8U B9U BAU BCM BCA BCQ BDM BDA BDQ BEM BEA BEQ DLA DLQ EKM EKA EKQ EMM EMA EMQ EFM EFA EFQ EBU E5U E6U E7U E8U E9U F5M F5A F5Q FBM FBA FBQ)	45R0756	1
FR/CF (models)	45R0759	1
GR (models)	45R0760	1
IT (models)	45R0762	1
BR (models)	45R0763	1
SP/LA (models)	45R0761	1
DK (models)	45R0764	1
NL (models)	45R0767	1
AE (models)	45R2342	1
SV (Swedish) (models)	45R0765	1
HE (models)	45R2334	1
FI (models)	45R0766	1
NO (models)	45R0770	1
PL (models)	45R0777	1
PO (models)	45R0774	1
RU (models)	45R0773	1
RE (models)	45R2318	1
HU (models)	45R0780	1
CZ (models)	45R0776	1
TR (models)	45R0775	1
GK (models)	45R0772	1
SL (models)	45R2326	1
Japanese (models)	45R0757	1
Simplified Chinese (models)	45R0758	1
Taiwan-TC (models)	45R0768	1
Hong Kong-TC (models)	45R0769	1

9349 Windows XP Pro Recovery CDs	FRU#	CRU
Korean (models BEK DLK EMK F5K FBK)	45R0771	1
Multilingual 1 XP-Pro -- EN, NL, FR, GR, IT (models)	45R8246	1
Multilingual 2 XP-Pro -- EN, DK, FI, NO, SV (models)	45R8247	1

9349 Vista Home Basic 32 SP1 Recovery DVDs	FRU#	CRU
Simplified Chinese (models)	45R9751	1
English (models)	46R7273	1
Japanese (models)	46R7274	1
French (models)	46R7275	1
German (models)	46R7276	1
Spanish (models)	46R7277	1
English (models)	46R7278	1
Italian (models)	46R7279	1
Brazilian Portuguese (models)	46R7280	1
Danish (models)	46R7281	1
Swedish (models)	45R9758	1
Finland (models)	45R9759	1
Dutch (models)	45R9760	1
Traditional Chinese (models)	46R7282	1
Hong Kong (models)	46R7283	1
Norwegian (models)	46R7284	1
Korean (models)	45R9764	1
Slovenian (models)	45R9765	1
Greek (models)	45R9766	1
Russian (models)	46R7285	1
Portuguese (models)	45R9768	1
Turkish (models)	45R9769	1
Czech (models)	45R9770	1
Polish (models)	45R9771	1
Russian English (models)	46R7286	1
Arabic Localized (models)	45R9773	1
Hebrew (models)	45R9774	1
Hungarian (models)	45R9775	1
Slovakian (models)	45R9776	1

9349 Vista Business 32 SP1 Recovery DVDs	FRU#	CRU
Simplified Chinese (models)	45R9779	1
English (models AAU ABU ACU ADU AGM AGA AHM AHA AJM AJA AVG AWG B2G B1U APU AQU ARU ASU ATU AUU A4M A4A A4Q BZG A3U A3F BBM BFM BJM BKM BPM BSM BTM BUM BVM DDM DEM DAM DBM BYM BPM DEA DAA DBA DCA BBA BBQ BFA BFQ BJA BJQ BKA BKQ BPA BPQ BSA BSQ BTA BTQ BUA BVA BVQ DEQ DBQ DCQ DFM DFA DFQ DGU DGG DGM DGQ DGA DGH DGR DGE DHU DHG DJM DJA DJQ DJH DJR DJE DKG DTT AAU ABU ACU ADU E1Q E2M E2A E2Q D6U ELM ELA ELQ EMM EMA EMQ ENM ENA ENQ EGM EGA EGQ EHM EHA EHQ AWU F6M F6A F6Q F1U F2U F4G FBM FBA FBQ F7G)	46R7287	1
Japanese (models)	46R7288	1
French (models)	46R7289	1
German (models)	46R7290	1
Spanish (models AVG AWG B2G BZG DGG DHG DJG DKG F4G F7G)	46R7291	1
Russian English (models)	46R7292	1
Italian (models AVG AWG B2G BZG DGG DHG DJG DKG F4G F7G)	46R7293	1
Brazilian Portuguese (models AVG AWG B2G BZG DGG DHG DJG DKG F4G F7G)	46R7294	1
Danish (models AVG AWG B2G BZG DGG DHG DJG DKG F4G F7G)	46R7295	1
Swedish (models AVG AWG B2G BZG DGG DHG DJG DKG F4G F7G)	45R9786	1
Finland (models AVG AWG B2G BZG DGG DHG DJG DKG F4G F7G)	45R9787	1
Dutch (models AVG AWG B2G BZG DGG DHG DJG DKG F4G F7G)	45R9788	1
Traditional Chinese (models)	46R7296	1
Hong Kong (models)	46R7297	1
Norwegian (models AVG AWG B2G BZG DGG DHG DJG DKG F4G F7G)	46R7298	1
Korean (models BBK BFK BKK BPK BSK BTK DEK DGK DHK DJK E1K E2K EMK ENK EGK F6K FBK)	45R9792	1
Slovenian (models AVG AWG B2G BZG DGG DHG DJG DKG F4G F7G)	45R9793	1
Greek (models AVG AWG B2G BZG DGG DHG DJG DKG F4G F7G)	45R9794	1
Russian (models AVG AWG B2G BZG DGG DHG DJG DKG F4G F7G)	46R7299	1
Portuguese (models AVG AWG B2G BZG DGG DHG DJG DKG F4G F7G)	45R9796	1
Turkish (models AVG AWG B2G BZG DGG DHG DJG DKG F4G F7G)	45R9797	1
Czech (models AVG AWG B2G BZG DGG DHG DJG DKG F4G F7G)	45R9798	1
Polish (models AVG AWG B2G BZG DGG DHG DJG DKG F4G F7G)	45R9799	1
Russian English (models AVG AWG B2G BZG DGG DHG DJG DKG F4G F7G)	46R7300	1
Arabic Localized (models)	45R9801	1
Hebrew (models AVG AWG B2G BZG DGG DHG DJG DKG F4G F7G)	45R9802	1
Romanian (models AVG AWG B2G BZG DGG DHG DJG DKG F4G F7G)	45R9803	1
Hungarian (models AVG AWG B2G BZG DGG DHG DJG DKG F4G F7G)	45R9804	1
Slovakian (models AVG AWG B2G BZG DGG DHG DJG DKG F4G F7G)	45R9805	1
Serbian-Latin (models)	45R9806	1

9349 Vista VHP SP1 Recovery DVDs	FRU#	CRU
English (models)	46R7315	1
Japanese (models)	46R7316	1

9349 Vista VHP SP1 Recovery DVDs	FRU#	CRU
French (models)	46R7317	1
German (models)	46R7318	1
Spanish (models)	46R7319	1
Russian English (models)	46R7320	1
Simplified Chinese (models)	46R7321	1
Italian (models)	46R7322	1
Brazilian Portuguese (models)	46R7323	1
Danish (models)	46R7315	1
Swedish (models)	45R9844	1
Finland (models)	45R9845	1
Dutch (models)	45R9846	1
Traditional Chinese (models)	46R7324	1
Hong Kong (models)	46R7325	1
Norwegian (models)	46R7326	1
Korean (models)	45R9850	1
Slovenian (models)	45R9851	1
Greek (models)	45R9852	1
Russian (models)	46R7327	1
Portuguese (models)	45R9854	1
Turkish (models)	45R9855	1
Czech (models)	45R9856	1
Polish (models)	45R9857	1
Russian English (models)	46R7328	1
Arabic Localized (models)	45R9859	1
Hebrew (models)	45R9860	1
Romanian (models)	45R9861	1
Hungarian (models)	45R9862	1
Slovakian (models)	45R9863	1
Serbian-Latin (models)	45R9864	1

9349 Vista Business 64 SP1 Recovery DVDs	FRU#	CRU
English (models)	46R7301	1
Japanese (models)	46R7302	1
Simplified Chinese (models)	46R7303	1
French (models)	46R7304	1
German (models)	46R7305	1
Spanish (models)	46R7306	1
Italian (models)	46R7307	1
Brazilian Portuguese (models)	46R7308	1

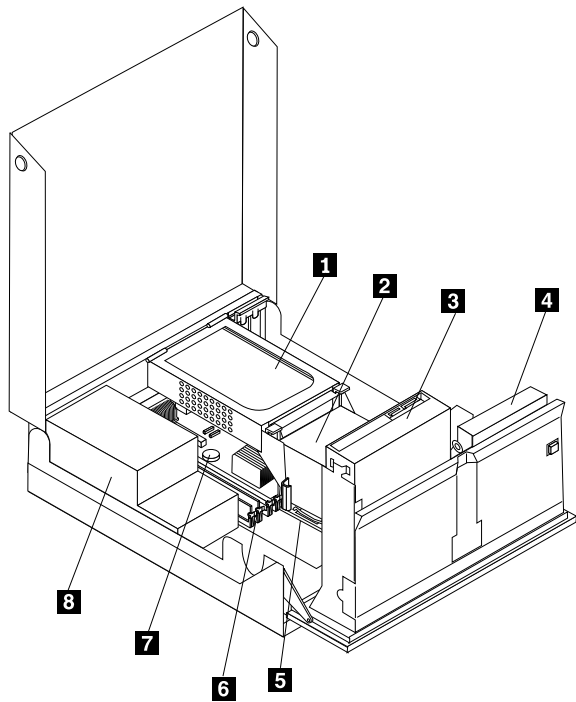
9349 Vista Business 64 SP1 Recovery DVDs	FRU#	CRU
Danish (models)	46R7309	1
Swedish (models)	45R9816	1
Danish (models)	45R9817	1
Dutch (models)	45R9818	1
Traditional Chinese (models)	46R7310	1
Hong Kong (models)	46R7311	1
Norwegian (models)	46R7312	1
Russian (models)	45R9822	1
Turkish (models)	45R9823	1
Hungarian (models)	45R9824	1
Greek (models)	45R9825	1
Russian (models)	46R7313	1
Taiwan (models)	45R9827	1
HongKong (models)	45R9828	1
Korea (models)	45R9829	1
Russian English (models)	46R7314	1
Portuguese (models)	45R9831	1
Arabic Localized (models)	45R9832	1
Hebrew (models)	45R9833	1
Slovakian (models)	45R9834	1

9349 Vista Ultimate 32 SP1 Recovery DVDs	FRU#	CRU
English (models)	46R7329	1
Japanese (models)	46R7330	1
Simplified Chinese (models)	46R7331	1
French (models)	46R7332	1
German (models)	46R7333	1
Spanish (models)	46R7334	1
Italian (models)	46R7335	1
Brazilian Portuguese (models)	46R7336	1
Danish (models)	46R7337	1
Swedish (models)	45R9874	1
Finland (models)	45R9875	1
Dutch (models)	45R9876	1
Traditional Chinese (models)	46R7338	1
Hong Kong (models)	46R7339	1
Norwegian (models)	46R7340	1
Korean (models)	45R9880	1
Slovenian (models)	45R9881	1

9349 Vista Ultimate 32 SP1 Recovery DVDs	FRU#	CRU
Greek (models)	45R9882	1
Russian (models)	46R7341	1
Portuguese (models)	45R9884	1
Turkish (models)	45R9885	1
Czech (models)	45R9886	1
Polish (models)	45R9887	1
Arabic Localized (models)	46R7342	1
Hebrew (models)	45R9890	1
Hungarian (models)	45R9891	1
Slovakian (models)	45R9892	1

9349 Vista Starter 32 Recovery DVDs	FRU#	CRU
English (models)	46R5059	1

Machine Type 9352



Item #	9352 FRUs	FRU#	CRU
1	Hard disk drive,SATA 80GB 7200RPM/3Gb/8MB (models CTO)	40Y9034	2
1	Hard disk drive,SATA 160GB 7200RPM/3Gb/8MB (models CTO)	40Y9035	2
1	Hard disk drive,SATA 320GB 7200rpm SATA/8MB (models CTO)	87H4891	2
2	Thermal kit (all models)	41R6039	2
3	Optical drive,DVD-ROM Drive - 16x/48x - SATA Vista & non-Vista (models CTO)	41N3325	2

Item #	9352 FRUs	FRU#	CRU
3	Optical drive,DVD-ROM/CD-RW Combo Drive - 48x/32x/48x/16x - SATA Vista & non-Vista (models CTO)	42Y9353	2
3	Optical drive,DVD-RW/CD-RW Rambo 8 - SATA Vista & non-Vista (models CTO)	43C1042	2
5	Microprocessor, Celeron 420 CONROE-L 800/1600MHZ-512K,LGA,EM64T (models CTO)	43C3835	N
5	Microprocessor, Celeron 430 CONROE-L 800/1800MHZ-512K,LGA,EM64T (models CTO)	43C1964	N
5	Microprocessor, Celeron 440 CONROE-L 800/2000MHZ-512K,LGA,EM64T (models CTO)	43C1965	N
5	Microprocessor, Pentium Dual-core E2140 CONROE-L 800/1600MHZ-1M, LGA, EM64T (models CTO)	43C1967	N
5	Microprocessor, Pentium Dual-core E2160 CONROE-L 800/1800MHZ-1M, LGA, EM64T (models CTO)	43C1968	N
5	Microprocessor, Core 2 Duo E4400 L2 CONROE 800/2000MHZ-2M, LGA, EM64T (models CTO)	43C2056	N
5	Microprocessor,Core 2 Duo E6400 B2 CONROE 1066/2130MHZ-2M, LGA, EM64T L2 Value (models CTO)	41X2496	N
5	Microprocessor, Pentium Dual-core E2200 CONROE-L 800/2200MHZ-1M, LGA, EM64T - NPI (models CTO)	45C5349	N
5	Microprocessor, Pentium Dual-core E2180 CONROE-L 800/2000MHZ-1M, LGA, EM64T - NPI (models CTO)	45C1773	N
5	Microprocessor, Pentium Dual-core E2220 CONROE-L 800/2400MHZ-1M, LGA, EM64T - NPI (models CTO)	45C1774	N
5	Microprocessor, Core 2 Duo E4600 M0 CONROE 800/2400MHZ-2M, LGA, EM64T - NPI (models CTO)	45C5282	N
5	Microprocessor, Core 2 Duo E4500 M0 CONROE 800/2200MHZ-2M, LGA, EM64T (models CTO)	43C6305	N
5	Microprocessor, Core 2 Duo E6850 G0 CONROE 1333/3000MHZ-4M, LGA, EM64T (models CTO)	43C1694	N
5	Microprocessor, Core 2 Duo E6750 G0 CONROE 1333/2660MHZ-4M, LGA, EM64T (models CTO)	43C1693	N
5	Microprocessor, Core 2 Duo E6550 G0 CONROE 1333/2330MHZ-4M, LGA, EM64T (models CTO)	43C3833	N
5	Microprocessor, Core 2 Quad G-0 Q6700 KENTSFIELD 1066/2660MHZ-8M (models CTO)	43C6309	N
5	Microprocessor, Core 2 Quad G-0 Q6600 KENTSFIELD 1066/2400MHZ-8M (models CTO)	43C1695	N
5	Microprocessor, Core 2 Duo E8500 WOLFDALÉ 1333/3160MHZ-6M (models CTO)	45C7735	N
5	Microprocessor, Core 2 Duo E8400 WOLFDALÉ 1333/3000MHZ-6M (models CTO)	45C7736	N
5	Microprocessor, Core 2 Duo E8200 WOLFDALÉ 1333/2660MHZ-6M (models CTO)	45C7738	N
5	Microprocessor, Core 2 Duo E8190 WOLFDALÉ 1333/2660MHZ-6M - NON VT/Vpro (models CTO)	45R2568	N
5	Microprocessor, Core 2 Quad Q9550 C-1 YORKFIELD 2.83GHz 1333MHZ FSB 12M L2 (models CTO)	45C7739	N

Item #	9352 FRUs	FRU#	CRU
5	Microprocessor, Core 2 Quad Q9450 C-1 YORKFIELD 2.66GHz 1333MHZ FSB 12M L2 (models CTO)	45C7740	N
5	Microprocessor, Core 2 Quad Q9300 M-1 YORKFIELD 2.5GHz 1333MHZ FSB 6M L2 (models CTO)	45C7741	N
5	Microprocessor, Core 2 Duo E8300 C-0 WOLFDAL E 2.83GHz 1333MHZ FSB 6M L2 (models CTO)	45C7737	N
5	Microprocessor, Core 2 Duo E7300 M-0 2.66GHz 1066MHz FSB 3M L2 (models CTO)	46R1622	N
5	Microprocessor, Core 2 Duo E7200 M-0 2.53GHz 1066MHz FSB 3M L2 (models CTO)	45R8337	N
5	Microprocessor, Core 2 Duo E4700 G-0 2.6GHz 800MHz FSB 2M L2 (models CTO)	45R5786	N
5	Microprocessor, Celeron Dual Core E1400 M-0 2.0GHz 800MHz FSB 512K L2 (models CTO)	45R8339	N
5	Microprocessor, Celeron Dual Core E1200 M-0 1.6GHz 800MHz FSB 512K L2, LGA, EM64T - NPI (models CTO)	45R8341	N
5	Microprocessor, Core 2 Duo E8600 E-0 WOLFDAL E 3.33GHz 1333MHZ FSB 6M L2 (models CTO)	46R8640	N
5	Microprocessor, Pentium Dual Core E5200 M-0 WOLFDAL E 2.5GHz 800MHZ FSB 2M L2 (models CTO)	46R9512	N
6	Memory module,512 MB PC-5300 (667MHz) DDR2 SDRAM (models CTO)	41X4255	2
6	Memory module,1 GB PC-5300 (667MHz) DDR2 SDRAM (models CTO)	41X4256	2
6	Memory module,2 GB PC-5300 (667MHz) DDR2 SDRAM (models CTO)	41X4257	2
6	Memory module,512 MB PC2-6400 (800MHz) DDR2 SDRAM (models CTO)	41X1079	2
6	Memory module,1GB PC-6400 (800MHz) DDR2 SDRAM (models CTO)	41X1080	2
6	Memory module,2GB PC-6400 (800MHz) DDR2 SDRAM (models CTO)	41X1081	2
7	System board, Intel G31 nano-BTX GA Level (models CTO)	53Y5125	N
8	Power supply,280W Active PFC power supply for 10L---all countries (models CTO)	41A9701	2
8	Power supply,280W 80+ power supply for 10L---all countries (models CTO)	41A9717	2

The FRUs listed in the following tables are not illustrated.

9352 FRUs	FRU#	CRU
Power switch/LED cable assembly (all models)	41R3391	2
USB cable assembly (all models)	41R3392	2
SATA cable, 120mm (all models)	41R3328	2
SATA cable, 700mm (all models)	39K5026	2
Speaker/Cable assembly (all models)	39K5012	2
Temperature Sense cable (460 mm) (all models)	41R2509	2
System Fan (all models)	41R6042	2
System Fan assembly (all models)	41R6249	2
Cpu Support Module (all models)	41R6252	N
HDD Tray assembly (all models)	41R6253	2
Internal Plastic (all models)	41R6254	2

9352 FRUs	FRU#	CRU
Bezel, Plastic (all models)	41R6255	2
Front rotating cage assembly (all models)	41R6256	N
Top cover assembly (all models)	41R6257	2
L1-C2 intrusion switch (all models)	39K5022	2
Fan for SFF (all models)	41R6042	2
Rell IO shield BTX atlantic (all models)	41R6381	N
Temperature Sense cable (460 mm) (all models)	41R2509	2
C2 Intrusion Switch (all models)	39K5022	2
Intel 95W/65W heatsink Kit (all models)	41R6039	2
Chassis atlantic (all models)	41R6275	N
10L FRONT I/O CABLE (models)	43N9015	2
Cabel-SATA 700mm (RoHS) (all models)	43N9011	2
Universal Adapter Bracket 5.25 to 3.5 (all models)	43N9361	2
ODD mounting kit (all models)	43N9362	2
Cardreader Bezel Kit (all models)	43N9363	2
BATTERY 3V-LITHIUM (TOWER,ROCKYS,LX-607) (models CTO)	45C1566	N
FDD Retainer, 607AT, SFF (LX-607) (all models)	43N9681	2
Vertical Stand, Tampa/607CT (all models)	43N9644	N
HDD bracket ASM (all models)	43N9690	2
Fru,Tamdhu chassis primary HDD cage (all models)	45K6272	1
Fru,Tamdhu ruber foot(For acoustic improvement) (all models)	45K6278	2
HDD bracket with cover b, for Toyota, Flex (all models)	43N9691	2

9352 Keyboard (Lenovo USB Preferred -- without hub)	FRU#	CRU Tier
US English (models CTO)	41A5039	1
Arabic (models CTO)	41A5040	1
Arabic/French (models CTO)	41A5041	1
Belgian/French (models CTO)	41A5042	1
Belgian/English (models CTO)	41A5043	1
Brazilian Portuguese (models CTO)	41A5044	1
Bulgarian (models CTO)	41A5045	1
Chinese/US (models CTO)	41A5046	1
Czech (models CTO)	41A5047	1
Danish (models CTO)	41A5048	1
Dutch (models CTO)	41A5049	1
French (models CTO)	41A5050	1
French Canadian (models CTO)	41A5051	1
French Canadian (models CTO)	41A5052	1

9352 Keyboard (Lenovo USB Preferred -- without hub)	FRU#	CRU Tier
German (models CTO)	41A5053	1
Greek (models CTO)	41A5054	1
Greek/US (models CTO)	41A5080	1
Hebrew (models CTO)	41A5055	1
Hungarian (models CTO)	41A5056	1
Iceland (models CTO)	41A5057	1
Italian (models CTO)	41A5058	1
Japanese (models CTO)	41A5059	1
Korean (models CTO)	41A5060	1
LA Spanish (models CTO)	41A5061	1
Norwegian (models CTO)	41A5062	1
Polish (models CTO)	41A5063	1
Portuguese (models CTO)	41A5064	1
Romanian (models CTO)	41A5065	1
Russian/Cyrillic (models CTO)	41A5066	1
Serbian/Cyrillic (models CTO)	41A5067	1
Slovak (models CTO)	41A5068	1
Spanish (models CTO)	41A5069	1
Swedish/Finnish (models CTO)	41A5070	1
Swiss (models CTO)	41A5071	1
Thailand (models CTO)	41A5072	1
Turkish (models CTO)	41A5073	1
Turkish (models CTO)	41A5074	1
UK English (models CTO)	41A5075	1
US Euro (models CTO)	41A5076	1
Slovenian (models CTO)	41A5077	1

9352 Keyboard (Lenovo USB Preferred -- without hub)	FRU#	CRU Tier
US English (models CTO)	41A5289	1
Arabic (models CTO)	41A5290	1
Arabic/French (models CTO)	41A5291	1
Belgian French (models CTO)	41A5292	1
Belgium English (models CTO)	41A5293	1
Brazilian Portuguese (models CTO)	41A5294	1
Bulgarian (models CTO)	41A5295	1
Chinese/US (models CTO)	41A5296	1
Czech (ABB) (models CTO)	41A5297	1
Danish (models CTO)	41A5298	1

9352 Keyboard (Lenovo USB Preferred -- without hub)	FRU#	CRU Tier
Dutch (models CTO)	41A5299	1
French (models CTO)	41A5300	1
French Canadian (models CTO)	41A5301	1
French Canadian (models CTO)	41A5302	1
German (models CTO)	41A5303	1
Greek (models CTO)	41A5304	1
Greek/US (models CTO)	41A5305	1
Hebrew (models CTO)	41A5306	1
Hungarian (models CTO)	41A5307	1
Iceland (models CTO)	41A5308	1
Japanese (models CTO)	41A5310	1
Korean (models CTO)	41A5311	1
LA Spanish (models CTO)	41A5312	1
Italian (models CTO)	41A5309	1
Norwegian (models CTO)	41A5313	1
Polish (models CTO)	41A5314	1
Portuguese (models CTO)	41A5315	1
Romanian (models CTO)	41A5317	1
Russian/Cyrillic (models CTO)	41A5318	1
Serbian/Cyrillic (models CTO)	41A5319	1
Slovak (models CTO)	41A5320	1
Spanish (models CTO)	41A5321	1
Swedish/Finnish (models CTO)	41A5322	1
Swiss French/German (models CTO)	41A5323	1
Thailand (models CTO)	41A5324	1
Turkish (models CTO)	41A5325	1
Turkish (models CTO)	41A5326	1
UK English (models CTO CTO)	41A5327	1
US Euro (models CTO)	41A5328	1
Slovenian (models CTO)	41A5329	1

9352 Keyboard (Lenovo Enhanced Perf, USB Preferred -- with hub)	FRU#	CRU Tier
US English (models CTO)	41A4961	1
Arabic (models CTO)	41A4962	1
Arabic/French (models CTO)	41A4963	1
Belgian/French (models CTO)	41A4964	1
Belgium English (models CTO)	41A4965	1
Brazilian Portuguese (models CTO)	41A4966	1

9352 Keyboard (Lenovo Enhanced Perf, USB Preferred -- with hub)	FRU#	CRU Tier
Bulgarian (models CTO)	41A4967	1
Chinese/US (models CTO)	41A4968	1
Czech (ABB) (models CTO)	41A4969	1
Danish (models CTO)	41A4970	1
Dutch (models CTO)	41A4971	1
French (models CTO)	41A4972	1
French Canadian (models CTO)	41A4973	1
French Canadian (models CTO)	41A4974	1
German (models CTO)	41A4975	1
Greek (models CTO)	41A4976	1
Greek/US (models CTO)	41A5078	1
Hebrew (models CTO)	41A4977	1
Hungarian (models CTO)	41A4978	1
Iceland (models CTO)	41A4979	1
Italy (models CTO)	41A4980	1
Japanese (models CTO)	41A4981	1
Korean (models CTO)	41A4982	1
LA Spanish (models CTO)	41A4983	1
Norwegian (models CTO)	41A4984	1
Polish (models CTO)	41A4985	1
Portuguese (models CTO)	41A4986	1
Romanian (models CTO)	41A4987	1
Russian/Cyrillic (models CTO)	41A4988	1
Serbian/Cyrillic (models CTO)	41A4989	1
Slovak (models CTO)	41A4990	1
Spanish (models CTO)	41A4991	1
Swedish/Finnish (models CTO)	41A4992	1
Swiss French/German (models CTO)	41A4993	1
Thailand (models CTO)	41A4994	1
Turkish (models CTO)	41A4995	1
Turkish (models CTO)	41A4996	1
UK English (models CTO CTO)	41A4997	1
US Euro (models CTO)	41A4998	1
Slovenian (models CTO)	41A4999	1

9352 Keyboard (Lenovo Fingerprint Reader USB)	FRU#	CRU Tier
US English (models CTO)	41A5248	1
Arabic (models CTO)	41A5249	1

9352 Keyboard (Lenovo Fingerprint Reader USB)	FRU#	CRU Tier
Arabic/French (models CTO)	41A5250	1
Belgian French (models CTO)	41A5251	1
Belgium English (models CTO)	41A5252	1
Brazilian Portuguese (models CTO)	41A5253	1
Bulgarian (models CTO)	41A5254	1
Chinese/US (models CTO)	41A5255	1
Czech (ABB) (models CTO)	41A5256	1
Danish (models CTO)	41A5257	1
Dutch (models CTO)	41A5258	1
French (models CTO)	41A5259	1
French Canadian (models CTO)	41A5260	1
French Canadian (models CTO)	41A5261	1
German (models CTO)	41A5262	1
Greek (models CTO)	41A5263	1
Greek/US (models CTO)	41A5264	1
Hebrew (models CTO)	41A5265	1
Hungarian (models CTO)	41A5266	1
Iceland (models CTO)	41A5267	1
Italy (models CTO)	41A5268	1
Japanese (models CTO)	41A5269	1
Korean (models CTO)	41A5270	1
LA Spanish (models CTO)	41A5271	1
Norwegian (models CTO)	41A5272	1
Polish (models CTO)	41A5273	1
Portuguese (models CTO)	41A5274	1
Romanian (models CTO)	41A5276	1
Russian/Cyrillic (models CTO)	41A5277	1
Serbian/Cyrillic (models CTO)	41A5278	1
Slovak (models CTO)	41A5279	1
Spanish (models CTO)	41A5280	1
Swedish/Finnish (models CTO)	41A5281	1
Swiss French/German (models CTO)	41A5282	1
Thailand (models CTO)	41A5283	1
Turkish (models CTO)	41A5284	1
Turkish (models CTO)	41A5285	1
UK English (models CTO)	41A5286	1
US Euro (models CTO)	41A5287	1
Slovenian (models CTO)	41A5288	1

9352 mice	FRU#	CRU
Optical Wheel Mouse (400DPI, USB) (models CTO)	41U3013	1
Optical Wheel Mouse (400DPI, USB) (models CTO)	41U3030	1
PS/2 Three Button ball mouse (41R0017) (models CTO)	41R0018	1

9352 Adapters and miscellaneous FRUs	FRU#	CRU
USB Memory Key - 1G RoW (models CTO)	41U4978	1
USB Memory Key (models CTO)	43R2296	2
Soft Modem V.90/V.44 SFF (models CTO)	46R4220	2
IEEE 1394 Firewire Adapter SFF (models CTO)	41D2781	2
Internal USB Memory Card Reader Slim (models CTO)	45R1885	1
ATI HD 2400PRO 128MB 64BIT DMS59 LP (models CTO)	43C0259	2
ATI HD 2400XT 256MB 64BIT DMS59 ATX (models CTO)	43C0260	2
ADD2 DVI Adapter,LP (HDCP) (models CTO)	43C0258	2
DVI-I connection Adapter Full Height (models CTO)	39J9334	2
Speaker Power brick - US, Canada, LA low voltage, ASEAN (models CTO)	89P8571	1
Speaker Power brick - LA high voltage (non-APU) (models CTO)	89P8575	1
Speaker Power brick - China, Thailand (models CTO)	89P8581	1
Speaker Power brick - Japan (models CTO)	89P8577	1
Speaker Power brick - Brazil (models CTO)	89P8583	1
Speaker Power brick - Argentina (models CTO)	41A4901	1
Speaker Power brick - ANZ (models CTO)	89P8579	1
Speaker Brick - Korea (models CTO)	41A4903	1
Speaker Brick - Hong Kong, EMEA (models CTO)	89P8573	1
Speaker Brick - Taiwan (models CTO)	41A4905	1
Speaker Power brick - India, South Africa (models CTO)	89P8585	1
Dongle DMS Dule DMS-59 to dual VGA Cable(models CTO)	42Y8181	2
Dongle DMS Dule DMS-59 to dual DVI Cable (models CTO)	41X6398	2

9356 Line Cords	FRU#	CRU
Line cord - US (models CTO)	41R3184	1
Line cord - US (models CTO)	41R3185	1
Line cord - China (models CTO)	41R3256	1
Line cord - China (models CTO)	41R3257	1
Line cord - Brazil (models CTO)	41R3270	1
Line cord - Brazil (models CTO)	41R3271	1
Line cord - LA High Volt APU (models CTO)	41R3176	1
Line Cord - LA High Volt APU (models CTO)	41R3177	1
Line Cord - Korea (models CTO)	41R3260	1
Line Cord - Korea (models CTO)	41R3261	1

9356 Line Cords	FRU#	CRU
Line Cord - UK, Ireland, Singapore, Malaysia, Brunei (models CTO)	41R3224	1
Line Cord - UK, Ireland, Singapore, Malaysia, Brunei (models CTO)	41R3225	1
Line Cord - Taiwan (models CTO)	41R3278	1
Line Cord - Taiwan (models CTO)	41R3279	1
Line Cord - Italy (models CTO)	41R3232	1
Line Cord - Italy (models CTO)	41R3233	1
Line Cord - Indonesia, Laos, Cambodia, and Vietnam (models CTO)	41R3208	1
Line Cord - Indonesia, Laos, Cambodia, and Vietnam (models CTO)	41R3209	1
Line Cord - Denmark (models CTO)	41R3212	1
Line Cord - Denmark (models CTO)	41R3213	1
Line Cord - Switzerland (models CTO)	41R3228	1
Line Cord - Switzerland (models CTO)	41R3229	1
Line Cord - Israel (models CTO)	41R3236	1
Line Cord - Israel (models CTO)	41R3237	1
Line Cord - South Africa (models CTO)	41R3220	1
Line Cord - South Africa (models CTO)	41R3221	1
Line Cord - India (models CTO)	41R3341	1
Line Cord - India (models CTO)	41R3175	1
Line Cord - Japan (models CTO)	41R3248	1
Line Cord - Japan (models CTO)	41R3249	1
Line Cord - ANZ (models CTO)	41R3196	1
Line Cord - ANZ (models CTO)	41R3197	1
Line Cord - Hong Kong (models CTO)	41R3224	1
Line Cord - Hong Kong (models CTO)	41R3225	1

9352 Windows XP Home Recovery CDs	FRU#	CRU
US/UK/AP/TH (models)	TBD	1
FR/CF (models)	TBD	1
GR (models)	TBD	1
IT (models)	TBD	1
BR (models)	TBD	1
SP/LA (models)	TBD	1
DK (models)	TBD	1
NL (models)	TBD	1
AE (models)	TBD	1
SV (Swedish)(models)	TBD	1
HE (models)	TBD	1
FI (models)	TBD	1
NO (models)	TBD	1

9352 Windows XP Home Recovery CDs	FRU#	CRU
PL (models)	TBD	1
PO (models)	TBD	1
RU (models)	TBD	1
RE (models)	TBD	
HU (models)	TBD	1
CZ (models)	TBD	1
TR (models)	TBD	1
GK (models)	TBD	1
Japanese (models)	TBD	1
Simplified Chinese (models)	TBD	1
Taiwan-TC (models)	TBD	1
Hong Kong-TC (models)	TBD	1
Korean (models)	TBD	1

9352 Windows XP Pro Recovery CDs	FRU#	CRU
US/UK/AP/TH (models CTO)	45R0756	1
FR/CF (models CTO)	45R0759	1
GR (models CTO)	45R0760	1
IT (models CTO)	45R0762	1
BR (models CTO)	45R0763	1
SP/LA (models CTO)	45R0761	1
DK (models CTO)	45R0764	1
NL (models CTO)	45R0767	1
AE (models CTO)	45R2342	1
SV (Swedish) (models CTO)	45R0765	1
HE (models CTO)	45R2334	1
FI (models CTO)	45R0766	1
NO (models CTO)	45R0770	1
PL (models CTO)	45R0777	1
PO (models CTO)	45R0774	1
RU (models CTO)	45R0773	1
RE (models CTO)	45R2318	1
HU (models CTO)	45R0780	1
CZ (models CTO)	45R0776	1
TR (models CTO)	45R0775	1
GK (models CTO)	45R0772	1
SL (models CTO)	45R2326	1
Japanese (models CTO)	45R0757	1
Simplified Chinese (models CTO)	45R0758	1

9352 Windows XP Pro Recovery CDs	FRU#	CRU
Taiwan-TC (models CTO)	45R0768	1
Hong Kong-TC (models CTO)	45R0769	1
Korean (models CTO)	45R0771	1
Multilingual 1 XP-Pro -- EN, NL, FR, GR, IT (models CTO)	45R8246	1
Multilingual 2 XP-Pro -- EN, DK, FI, NO, SV (models CTO)	45R8247	1

9352 Vista Home Basic 32 SP1 Recovery DVDs	FRU#	CRU
English (models CTO)	46R7273	1
Japanese (models CTO)	46R7274	1
Simplified Chinese (models CTO)	46R7275	1
French (models CTO)	46R7276	1
German (models CTO)	46R7277	1
Spanish (models CTO)	46R7278	1
Italian (models CTO)	46R7279	1
Brazilian Portuguese (models CTO)	46R7280	1
Danish (models CTO)	46R7281	1
Swedish (models CTO)	45R9758	1
Finland (models CTO)	45R9759	1
Dutch (models CTO)	45R9760	1
Traditional Chinese (models CTO)	46R7282	1
Hong Kong (models CTO)	46R7283	1
Norwegian (models CTO)	46R7284	1
Korean (models CTO)	45R9764	1
Slovenian (models CTO)	45R9765	1
Greek (models CTO)	45R9766	1
Russian (models CTO)	46R7285	1
Portuguese (models CTO)	45R9768	1
Turkish (models CTO)	45R9769	1
Czech (models CTO)	45R9770	1
Polish (models CTO)	45R9771	1
Russian English (models CTO)	46R7286	1
Arabic Localized (models CTO)	45R9773	1
Hebrew (models CTO)	45R9774	1
Hungarian (models CTO)	45R9775	1
Slovakian (models CTO)	45R9776	1

9352 Vista Business 32 SP1 Recovery DVDs	FRU#	CRU
English (models CTO)	46R7287	1
Japanese (models CTO)	46R7288	1

9352 Vista Business 32 SP1 Recovery DVDs	FRU#	CRU
Simplified Chinese (models CTO)	46R7289	1
French (models CTO)	46R7290	1
German (models CTO)	46R7291	1
Spanish (models CTO)	46R7292	1
Italian (models CTO)	46R7293	1
Brazilian Portuguese (models CTO)	46R7294	1
Danish (models CTO)	46R7295	1
Swedish (models CTO)	45R9786	1
Finland (models CTO)	45R9787	1
Dutch (models CTO)	45R9788	1
Traditional Chinese (models CTO)	46R7296	1
Hong Kong (models CTO)	46R7297	1
Norwegian (models CTO)	46R7298	1
Korean (models CTO)	45R9792	1
Slovenian (models CTO)	45R9793	1
Greek (models CTO)	45R9794	1
Russian (models CTO)	46R7299	1
Portuguese (models CTO)	45R9796	1
Turkish (models CTO)	45R9797	1
Czech (models CTO)	45R9798	1
Polish (models CTO)	45R9799	1
Russian English (models CTO)	46R7300	1
Arabic Localized (models CTO)	45R9801	1
Hebrew (models CTO)	45R9802	1
Romanian (models CTO)	45R9803	1
Hungarian (models CTO)	45R9804	1
Slovakian (models CTO)	45R9805	1
Serbian-Latin (models CTO)	45R9806	1

9352 Vista VHP SP1 Recovery DVDs	FRU#	CRU
English (models CTO)	46R7315	1
Japanese (models CTO)	46R7316	1
Simplified Chinese (models CTO)	46R7317	1
French (models CTO)	46R7318	1
German (models CTO)	46R7319	1
Spanish (models CTO)	46R7320	1
Italian (models CTO)	46R7321	1
Brazilian Portuguese (models CTO)	46R7322	1
Danish (models CTO)	46R7323	1

9352 Vista VHP SP1 Recovery DVDs	FRU#	CRU
Swedish (models CTO)	45R9844	1
Finland (models CTO)	45R9845	1
Dutch (models CTO)	45R9846	1
Traditional Chinese (models CTO)	46R7324	1
Hong Kong (models CTO)	46R7325	1
Norwegian (models CTO)	46R7326	1
Korean (models CTO)	45R9850	1
Slovenian (models CTO)	45R9851	1
Greek (models CTO)	45R9852	1
Russian (models CTO)	46R7327	1
Portuguese (models CTO)	45R9854	1
Turkish (models CTO)	45R9855	1
Czech (models CTO)	45R9856	1
Polish (models CTO)	45R9857	1
Russian English (models CTO)	46R7328	1
Arabic Localized (models CTO)	45R9859	1
Hebrew (models CTO)	45R9860	1
Romanian (models CTO)	45R9861	1
Hungarian (models CTO)	45R9862	1
Slovakian (models CTO)	45R9863	1
Serbian-Latin (models CTO)	45R9864	1

9352 Vista Business 64 SP1 Recovery DVDs	FRU#	CRU
English (models CTO)	46R7301	1
Japanese (models CTO)	46R7302	1
Simplified Chinese (models CTO)	46R7303	1
French (models CTO)	46R7304	1
German (models CTO)	46R7305	1
Spanish (models CTO)	46R7306	1
Italian (models CTO)	46R7307	1
Brazilian Portuguese (models CTO)	46R7308	1
Danish (models CTO)	46R7309	1
Swedish (models CTO)	45R9816	1
Danish (models CTO)	45R9817	1
Dutch (models CTO)	45R9818	1
Traditional Chinese (models CTO)	46R7310	1
HongKong (models CTO)	46R7311	1
Norwegian (models CTO)	46R7312	1
Russian (models CTO)	45R9822	1

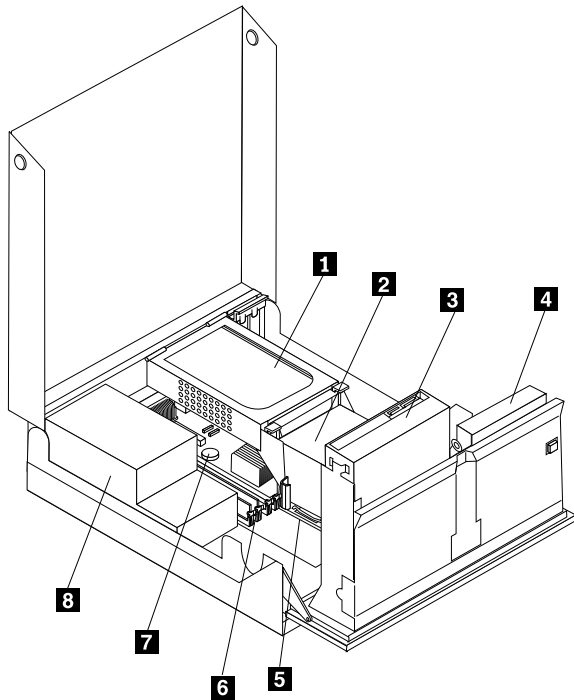
9352 Vista Business 64 SP1 Recovery DVDs	FRU#	CRU
Turkish (models CTO)	45R9823	1
Hungarian (models CTO)	45R9824	1
Greek (models CTO)	45R9825	1
Russian (models CTO)	46R7313	1
Taiwan (models CTO)	45R9827	1
HongKong (models CTO)	45R9828	1
Korea (models CTO)	45R9829	1
Russian English (models CTO)	46R7314	1
Portuguese (models CTO)	45R9831	1
Arabic Localized (models CTO)	45R9832	1
Hebrew (models CTO)	45R9833	1
Slovakian (models CTO)	45R9834	1

9352 Vista Ultimate 32 SP1 Recovery DVDs	FRU#	CRU
English (models CTO)	46R7329	1
Japanese (models CTO)	46R7330	1
Simplified Chinese (models CTO)	46R7331	1
French (models CTO)	46R7332	1
German (models CTO)	46R7333	1
Spanish (models CTO)	46R7334	1
Italian (models CTO)	46R7335	1
Brazilian Portuguese (models CTO)	46R7336	1
Danish (models CTO)	46R7337	1
Swedish (models CTO)	45R9874	1
Finland (models CTO)	45R9875	1
Dutch (models CTO)	45R9876	1
Traditional Chinese (models CTO)	46R7338	1
Hong Kong (models CTO)	46R7339	1
Norwegian (models CTO)	46R7340	1
Korean (models CTO)	45R9880	1
Slovenian (models CTO)	45R9881	1
Greek (models CTO)	45R9882	1
Russian (models CTO)	46R7341	1
Portuguese (models CTO)	45R9884	1
Turkish (models CTO)	45R9885	1
Czech (models CTO)	45R9886	1
Polish (models CTO)	45R9887	1
Russian English (models CTO)	46R5089	1
Arabic Localized (models CTO)	46R7342	1

9352 Vista Ultimate 32 SP1 Recovery DVDs	FRU#	CRU
Hebrew (models CTO)	45R9890	1
Hungarian (models CTO)	45R9891	1
Slovakian (models CTO)	45R9892	1

9352 Vista Starter 32 Recovery DVDs	FRU#	CRU
English (models CTO)	46R5059	1

Machine Type 9352



Item #	9352 FRUs	FRU#	CRU
1	Hard disk drive,SATA 80GB 7200RPM/3Gb/8MB (models CTO)	40Y9034	2
1	Hard disk drive,SATA 160GB 7200RPM/3Gb/8MB (models CTO)	40Y9035	2
1	Hard disk drive,SATA 320GB 7200rpm SATA/8MB (models CTO)	87H4891	2
2	Thermal kit (all models)	41R6039	2
3	Optical drive,DVD-ROM Drive - 16x/48x - SATA Vista & non-Vista (models CTO)	41N3325	2
3	Optical drive,DVD-ROM/CD-RW Combo Drive - 48x/32x/48x/16x - SATA Vista & non-Vista (models CTO)	42Y9353	2
3	Optical drive,DVD-RW/CD-RW Rambo 8 - SATA Vista & non-Vista (models CTO)	43C1042	2
5	Microprocessor, Celeron 420 CONROE-L 800/1600MHZ-512K,LGA,EM64T (models CTO)	43C3835	N
5	Microprocessor, Celeron 430 CONROE-L 800/1800MHZ-512K,LGA,EM64T (models CTO)	43C1964	N

Item #	9352 FRUs	FRU#	CRU
5	Microprocessor, Celeron 440 CONROE-L 800/2000MHZ-512K,LGA,EM64T (models CTO)	43C1965	N
5	Microprocessor, Pentium Dual-core E2140 CONROE-L 800/1600MHZ-1M, LGA, EM64T (models CTO)	43C1967	N
5	Microprocessor, Pentium Dual-core E2160 CONROE-L 800/1800MHZ-1M, LGA, EM64T (models CTO)	43C1968	N
5	Microprocessor, Core 2 Duo E4400 L2 CONROE 800/2000MHZ-2M, LGA, EM64T (models CTO)	43C2056	N
5	Microprocessor,Core 2 Duo E6400 B2 CONROE 1066/2130MHZ-2M, LGA, EM64T L2 Value (models CTO)	41X2496	N
5	Microprocessor, Pentium Dual-core E2200 CONROE-L 800/2200MHZ-1M, LGA, EM64T - NPI (models CTO)	45C5349	N
5	Microprocessor, Pentium Dual-core E2180 CONROE-L 800/2000MHZ-1M, LGA, EM64T - NPI (models CTO)	45C1773	N
5	Microprocessor, Pentium Dual-core E2220 CONROE-L 800/2400MHZ-1M, LGA, EM64T - NPI (models CTO)	45C1774	N
5	Microprocessor, Core 2 Duo E4600 M0 CONROE 800/2400MHZ-2M, LGA, EM64T - NPI (models CTO)	45C5282	N
5	Microprocessor, Core 2 Duo E4500 M0 CONROE 800/2200MHZ-2M, LGA, EM64T (models CTO)	43C6305	N
5	Microprocessor, Core 2 Duo E6850 G0 CONROE 1333/3000MHZ-4M, LGA, EM64T (models CTO)	43C1694	N
5	Microprocessor, Core 2 Duo E6750 G0 CONROE 1333/2660MHZ-4M, LGA, EM64T (models CTO)	43C1693	N
5	Microprocessor, Core 2 Duo E6550 G0 CONROE 1333/2330MHZ-4M, LGA, EM64T (models CTO)	43C3833	N
5	Microprocessor, Core 2 Quad G-0 Q6700 KENTSFIELD 1066/2660MHZ-8M (models CTO)	43C6309	N
5	Microprocessor, Core 2 Quad G-0 Q6600 KENTSFIELD 1066/2400MHZ-8M (models CTO)	43C1695	N
5	Microprocessor, Core 2 Duo E8500 WOLFDAL E 1333/3160MHZ-6M (models CTO)	45C7735	N
5	Microprocessor, Core 2 Duo E8400 WOLFDAL E 1333/3000MHZ-6M (models CTO)	45C7736	N
5	Microprocessor, Core 2 Duo E8200 WOLFDAL E 1333/2660MHZ-6M (models CTO)	45C7738	N
5	Microprocessor, Core 2 Duo E8190 WOLFDAL E 1333/2660MHZ-6M - NON VT/Vpro (models CTO)	45R2568	N
5	Microprocessor, Core 2 Quad Q9550 C-1 YORKFIELD 2.83GHz 1333MHZ FSB 12M L2 (models CTO)	45C7739	N
5	Microprocessor, Core 2 Quad Q9450 C-1 YORKFIELD 2.66GHz 1333MHZ FSB 12M L2 (models CTO)	45C7740	N
5	Microprocessor, Core 2 Quad Q9300 M-1 YORKFIELD 2.5GHz 1333MHZ FSB 6M L2 (models CTO)	45C7741	N
5	Microprocessor, Core 2 Duo E8300 C-0 WOLFDAL E 2.83GHz 1333MHZ FSB 6M L2 (models CTO)	45C7737	N
5	Microprocessor, Core 2 Duo E7300 M-0 2.66GHz 1066MHz FSB 3M L2 (models CTO)	46R1622	N
5	Microprocessor, Core 2 Duo E7200 M-0 2.53GHz 1066MHz FSB 3M L2 (models CTO)	45R8337	N

Item #	9352 FRUs	FRU#	CRU
5	Microprocessor, Core 2 Duo E4700 G-0 2.6GHz 800MHz FSB 2M L2 (models CTO)	45R5786	N
5	Microprocessor, Celeron Dual Core E1400 M-0 2.0GHz 800MHz FSB 512K L2 (models CTO)	45R8339	N
5	Microprocessor, Celeron Dual Core E1200 M-0 1.6GHz 800MHz FSB 512K L2, LGA, EM64T - NPI (models CTO)	45R8341	N
5	Microprocessor, Core 2 Duo E8600 E-0 WOLFDAL E 3.33GHz 1333MHZ FSB 6M L2 (models CTO)	46R8640	N
5	Microprocessor, Pentium Dual Core E5200 M-0 WOLFDAL E 2.5GHz 800MHZ FSB 2M L2 (models CTO)	46R9512	N
6	Memory module,512 MB PC-5300 (667MHz) DDR2 SDRAM (models CTO)	41X4255	2
6	Memory module,1 GB PC-5300 (667MHz) DDR2 SDRAM (models CTO)	41X4256	2
6	Memory module,2 GB PC-5300 (667MHz) DDR2 SDRAM (models CTO)	41X4257	2
6	Memory module,512 MB PC2-6400 (800MHz) DDR2 SDRAM (models CTO)	41X1079	2
6	Memory module,1GB PC-6400 (800MHz) DDR2 SDRAM (models CTO)	41X1080	2
6	Memory module,2GB PC-6400 (800MHz) DDR2 SDRAM (models CTO)	41X1081	2
7	System board, Intel G31 nano-BTX GA Level (models CTO)	53Y5125	N
8	Power supply,280W Active PFC power supply for 10L---all countries (models CTO)	41A9701	2
8	Power supply,280W 80+ power supply for 10L---all countries (models CTO)	41A9717	2

The FRUs listed in the following tables are not illustrated.

9352 FRUs	FRU#	CRU
Power switch/LED cable assembly (all models)	41R3391	2
USB cable assembly (all models)	41R3392	2
SATA cable, 120mm (all models)	41R3328	2
SATA cable, 700mm (all models)	39K5026	2
Speaker/Cable assembly (all models)	39K5012	2
Temperature Sense cable (460 mm) (all models)	41R2509	2
System Fan (all models)	41R6042	2
System Fan assembly (all models)	41R6249	2
Cpu Support Module (all models)	41R6252	N
HDD Tray assembly (all models)	41R6253	2
Internal Plastic (all models)	41R6254	2
Bezel, Plastic (all models)	41R6255	2
Front rotating cage assembly (all models)	41R6256	N
Top cover assembly (all models)	41R6257	2
L1-C2 intrusion switch (all models)	39K5022	2
Fan for SFF (all models)	41R6042	2
Reel IO shield BTX atlantic (all models)	41R6381	N
Temperature Sense cable (460 mm) (all models)	41R2509	2

9352 FRUs	FRU#	CRU
C2 Intrusion Switch (all models)	39K5022	2
Intel 95W/65W heatsink Kit (all models)	41R6039	2
Chassis atlantic (all models)	41R6275	N
10L FRONT I/O CABLE (models)	43N9015	2
Cabel-SATA 700mm (RoHS) (all models)	43N9011	2
Universal Adapter Bracket 5.25 to 3.5 (all models)	43N9361	2
ODD mounting kit (all models)	43N9362	2
Cardreader Bezel Kit (all models)	43N9363	2
BATTERY 3V-LITHIUM (TOWER,ROCKYS,LX-607) (models CTO)	45C1566	N
FDD Retainer, 607AT, SFF (LX-607) (all models)	43N9681	2
Vertical Stand, Tampa/607CT (all models)	43N9644	N
HDD bracket ASM (all models)	43N9690	2
Fru,Tamdhu chassis primary HDD cage (all models)	45K6272	1
Fru,Tamdhu ruber foot(For acoustic improvement) (all models)	45K6278	2
HDD bracket with cover b, for Toyota, Flex (all models)	43N9691	2

9352 Keyboard (Lenovo USB Preferred -- without hub)	FRU#	CRU Tier
US English (models CTO)	41A5039	1
Arabic (models CTO)	41A5040	1
Arabic/French (models CTO)	41A5041	1
Belgian/French (models CTO)	41A5042	1
Belgian/English (models CTO)	41A5043	1
Brazilian Portuguese (models CTO)	41A5044	1
Bulgarian (models CTO)	41A5045	1
Chinese/US (models CTO)	41A5046	1
Czech (models CTO)	41A5047	1
Danish (models CTO)	41A5048	1
Dutch (models CTO)	41A5049	1
French (models CTO)	41A5050	1
French Canadian (models CTO)	41A5051	1
French Canadian (models CTO)	41A5052	1
German (models CTO)	41A5053	1
Greek (models CTO)	41A5054	1
Greek/US (models CTO)	41A5080	1
Hebrew (models CTO)	41A5055	1
Hungarian (models CTO)	41A5056	1
Iceland (models CTO)	41A5057	1
Italian (models CTO)	41A5058	1

9352 Keyboard (Lenovo USB Preferred -- without hub)	FRU#	CRU Tier
Japanese (models CTO)	41A5059	1
Korean (models CTO)	41A5060	1
LA Spanish (models CTO)	41A5061	1
Norwegian (models CTO)	41A5062	1
Polish (models CTO)	41A5063	1
Portuguese (models CTO)	41A5064	1
Romanian (models CTO)	41A5065	1
Russian/Cyrillic (models CTO)	41A5066	1
Serbian/Cyrillic (models CTO)	41A5067	1
Slovak (models CTO)	41A5068	1
Spanish (models CTO)	41A5069	1
Swedish/Finnish (models CTO)	41A5070	1
Swiss (models CTO)	41A5071	1
Thailand (models CTO)	41A5072	1
Turkish (models CTO)	41A5073	1
Turkish (models CTO)	41A5074	1
UK English (models CTO)	41A5075	1
US Euro (models CTO)	41A5076	1
Slovenian (models CTO)	41A5077	1

9352 Keyboard (Lenovo USB Preferred -- without hub)	FRU#	CRU Tier
US English (models CTO)	41A5289	1
Arabic (models CTO)	41A5290	1
Arabic/French (models CTO)	41A5291	1
Belgian French (models CTO)	41A5292	1
Belgium English (models CTO)	41A5293	1
Brazilian Portuguese (models CTO)	41A5294	1
Bulgarian (models CTO)	41A5295	1
Chinese/US (models CTO)	41A5296	1
Czech (ABB) (models CTO)	41A5297	1
Danish (models CTO)	41A5298	1
Dutch (models CTO)	41A5299	1
French (models CTO)	41A5300	1
French Canadian (models CTO)	41A5301	1
French Canadian (models CTO)	41A5302	1
German (models CTO)	41A5303	1
Greek (models CTO)	41A5304	1
Greek/US (models CTO)	41A5305	1

9352 Keyboard (Lenovo USB Preferred -- without hub)	FRU#	CRU Tier
Hebrew (models CTO)	41A5306	1
Hungarian (models CTO)	41A5307	1
Iceland (models CTO)	41A5308	1
Japanese (models CTO)	41A5310	1
Korean (models CTO)	41A5311	1
LA Spanish (models CTO)	41A5312	1
Italian (models CTO)	41A5309	1
Norwegian (models CTO)	41A5313	1
Polish (models CTO)	41A5314	1
Portuguese (models CTO)	41A5315	1
Romanian (models CTO)	41A5317	1
Russian/Cyrillic (models CTO)	41A5318	1
Serbian/Cyrillic (models CTO)	41A5319	1
Slovak (models CTO)	41A5320	1
Spanish (models CTO)	41A5321	1
Swedish/Finnish (models CTO)	41A5322	1
Swiss French/German (models CTO)	41A5323	1
Thailand (models CTO)	41A5324	1
Turkish (models CTO)	41A5325	1
Turkish (models CTO)	41A5326	1
UK English (models CTO CTO)	41A5327	1
US Euro (models CTO)	41A5328	1
Slovenian (models CTO)	41A5329	1

9352 Keyboard (Lenovo Enhanced Perf, USB Preferred -- with hub)	FRU#	CRU Tier
US English (models CTO)	41A4961	1
Arabic (models CTO)	41A4962	1
Arabic/French (models CTO)	41A4963	1
Belgian/French (models CTO)	41A4964	1
Belgium English (models CTO)	41A4965	1
Brazilian Portuguese (models CTO)	41A4966	1
Bulgarian (models CTO)	41A4967	1
Chinese/US (models CTO)	41A4968	1
Czech (ABB) (models CTO)	41A4969	1
Danish (models CTO)	41A4970	1
Dutch (models CTO)	41A4971	1
French (models CTO)	41A4972	1
French Canadian (models CTO)	41A4973	1

9352 Keyboard (Lenovo Enhanced Perf, USB Preferred -- with hub)	FRU#	CRU Tier
French Canadian (models CTO)	41A4974	1
German (models CTO)	41A4975	1
Greek (models CTO)	41A4976	1
Greek/US (models CTO)	41A5078	1
Hebrew (models CTO)	41A4977	1
Hungarian (models CTO)	41A4978	1
Iceland (models CTO)	41A4979	1
Italy (models CTO)	41A4980	1
Japanese (models CTO)	41A4981	1
Korean (models CTO)	41A4982	1
LA Spanish (models CTO)	41A4983	1
Norwegian (models CTO)	41A4984	1
Polish (models CTO)	41A4985	1
Portuguese (models CTO)	41A4986	1
Romanian (models CTO)	41A4987	1
Russian/Cyrillic (models CTO)	41A4988	1
Serbian/Cyrillic (models CTO)	41A4989	1
Slovak (models CTO)	41A4990	1
Spanish (models CTO)	41A4991	1
Swedish/Finnish (models CTO)	41A4992	1
Swiss French/German (models CTO)	41A4993	1
Thailand (models CTO)	41A4994	1
Turkish (models CTO)	41A4995	1
Turkish (models CTO)	41A4996	1
UK English (models CTO CTO)	41A4997	1
US Euro (models CTO)	41A4998	1
Slovenian (models CTO)	41A4999	1

9352 Keyboard (Lenovo Fingerprint Reader USB)	FRU#	CRU Tier
US English (models CTO)	41A5248	1
Arabic (models CTO)	41A5249	1
Arabic/French (models CTO)	41A5250	1
Belgian French (models CTO)	41A5251	1
Belgium English (models CTO)	41A5252	1
Brazilian Portuguese (models CTO)	41A5253	1
Bulgarian (models CTO)	41A5254	1
Chinese/US (models CTO)	41A5255	1
Czech (ABB) (models CTO)	41A5256	1

9352 Keyboard (Lenovo Fingerprint Reader USB)	FRU#	CRU Tier
Danish (models CTO)	41A5257	1
Dutch (models CTO)	41A5258	1
French (models CTO)	41A5259	1
French Canadian (models CTO)	41A5260	1
French Canadian (models CTO)	41A5261	1
German (models CTO)	41A5262	1
Greek (models CTO)	41A5263	1
Greek/US (models CTO)	41A5264	1
Hebrew (models CTO)	41A5265	1
Hungarian (models CTO)	41A5266	1
Iceland (models CTO)	41A5267	1
Italy (models CTO)	41A5268	1
Japanese (models CTO)	41A5269	1
Korean (models CTO)	41A5270	1
LA Spanish (models CTO)	41A5271	1
Norwegian (models CTO)	41A5272	1
Polish (models CTO)	41A5273	1
Portuguese (models CTO)	41A5274	1
Romanian (models CTO)	41A5276	1
Russian/Cyrillic (models CTO)	41A5277	1
Serbian/Cyrillic (models CTO)	41A5278	1
Slovak (models CTO)	41A5279	1
Spanish (models CTO)	41A5280	1
Swedish/Finnish (models CTO)	41A5281	1
Swiss French/German (models CTO)	41A5282	1
Thailand (models CTO)	41A5283	1
Turkish (models CTO)	41A5284	1
Turkish (models CTO)	41A5285	1
UK English (models CTO)	41A5286	1
US Euro (models CTO)	41A5287	1
Slovenian (models CTO)	41A5288	1

9352 mice	FRU#	CRU
Optical Wheel Mouse (400DPI, USB) (models CTO)	41U3013	1
Optical Wheel Mouse (400DPI, USB) (models CTO)	41U3030	1
PS/2 Three Button ball mouse (41R0017) (models CTO)	41R0018	1

9352 Adapters and miscellaneous FRUs	FRU#	CRU
USB Memory Key - 1G RoW (models CTO)	41U4978	1
USB Memory Key (models CTO)	43R2296	2
Soft Modem V.90/V.44 SFF (models CTO)	46R4220	2
IEEE 1394 Firewire Adapter SFF (models CTO)	41D2781	2
Internal USB Memory Card Reader Slim (models CTO)	45R1885	1
ATI HD 2400PRO 128MB 64BIT DMS59 LP (models CTO)	43C0259	2
ATI HD 2400XT 256MB 64BIT DMS59 ATX (models CTO)	43C0260	2
ADD2 DVI Adapter,LP (HDCP) (models CTO)	43C0258	2
DVI-I connection Adapter Full Height (models CTO)	39J9334	2
Speaker Power brick - US, Canada, LA low voltage, ASEAN (models CTO)	89P8571	1
Speaker Power brick - LA high voltage (non-APU) (models CTO)	89P8575	1
Speaker Power brick - China, Thailand (models CTO)	89P8581	1
Speaker Power brick - Japan (models CTO)	89P8577	1
Speaker Power brick - Brazil (models CTO)	89P8583	1
Speaker Power brick - Argentina (models CTO)	41A4901	1
Speaker Power brick - ANZ (models CTO)	89P8579	1
Speaker Brick - Korea (models CTO)	41A4903	1
Speaker Brick - Hong Kong, EMEA (models CTO)	89P8573	1
Speaker Brick - Taiwan (models CTO)	41A4905	1
Speaker Power brick - India, South Africa (models CTO)	89P8585	1
Dongle DMS Dule DMS-59 to dual VGA Cable(models CTO)	42Y8181	2
Dongle DMS Dule DMS-59 to dual DVI Cable (models CTO)	41X6398	2

9356 Line Cords	FRU#	CRU
Line cord - US (models CTO)	41R3184	1
Line cord - US (models CTO)	41R3185	1
Line cord - China (models CTO)	41R3256	1
Line cord - China (models CTO)	41R3257	1
Line cord - Brazil (models CTO)	41R3270	1
Line cord - Brazil (models CTO)	41R3271	1
Line cord - LA High Volt APU (models CTO)	41R3176	1
Line Cord - LA High Volt APU (models CTO)	41R3177	1
Line Cord - Korea (models CTO)	41R3260	1
Line Cord - Korea (models CTO)	41R3261	1
Line Cord - UK, Ireland, Singapore, Malaysia, Brunei (models CTO)	41R3224	1
Line Cord - UK, Ireland, Singapore, Malaysia, Brunei (models CTO)	41R3225	1
Line Cord - Taiwan (models CTO)	41R3278	1
Line Cord - Taiwan (models CTO)	41R3279	1
Line Cord - Italy (models CTO)	41R3232	1

9356 Line Cords	FRU#	CRU
Line Cord - Italy (models CTO)	41R3233	1
Line Cord - Indonesia, Laos, Cambodia, and Vietnam (models CTO)	41R3208	1
Line Cord - Indonesia, Laos, Cambodia, and Vietnam (models CTO)	41R3209	1
Line Cord - Denmark (models CTO)	41R3212	1
Line Cord - Denmark (models CTO)	41R3213	1
Line Cord - Switzerland (models CTO)	41R3228	1
Line Cord - Switzerland (models CTO)	41R3229	1
Line Cord - Israel (models CTO)	41R3236	1
Line Cord - Israel (models CTO)	41R3237	1
Line Cord - South Africa (models CTO)	41R3220	1
Line Cord - South Africa (models CTO)	41R3221	1
Line Cord - India (models CTO)	41R3341	1
Line Cord - India (models CTO)	41R3175	1
Line Cord - Japan (models CTO)	41R3248	1
Line Cord - Japan (models CTO)	41R3249	1
Line Cord - ANZ (models CTO)	41R3196	1
Line Cord - ANZ (models CTO)	41R3197	1
Line Cord - Hong Kong (models CTO)	41R3224	1
Line Cord - Hong Kong (models CTO)	41R3225	1

9352 Windows XP Home Recovery CDs	FRU#	CRU
US/UK/AP/TH (models)	TBD	1
FR/CF (models)	TBD	1
GR (models)	TBD	1
IT (models)	TBD	1
BR (models)	TBD	1
SP/LA (models)	TBD	1
DK (models)	TBD	1
NL (models)	TBD	1
AE (models)	TBD	1
SV (Swedish)(models)	TBD	1
HE (models)	TBD	1
FI (models)	TBD	1
NO (models)	TBD	1
PL (models)	TBD	1
PO (models)	TBD	1
RU (models)	TBD	1
RE (models)	TBD	
HU (models)	TBD	1

9352 Windows XP Home Recovery CDs	FRU#	CRU
CZ (models)	TBD	1
TR (models)	TBD	1
GK (models)	TBD	1
Japanese (models)	TBD	1
Simplified Chinese (models)	TBD	1
Taiwan-TC (models)	TBD	1
Hong Kong-TC (models)	TBD	1
Korean (models)	TBD	1

9352 Windows XP Pro Recovery CDs	FRU#	CRU
US/UK/AP/TH (models CTO)	45R0756	1
FR/CF (models CTO)	45R0759	1
GR (models CTO)	45R0760	1
IT (models CTO)	45R0762	1
BR (models CTO)	45R0763	1
SP/LA (models CTO)	45R0761	1
DK (models CTO)	45R0764	1
NL (models CTO)	45R0767	1
AE (models CTO)	45R2342	1
SV (Swedish) (models CTO)	45R0765	1
HE (models CTO)	45R2334	1
FI (models CTO)	45R0766	1
NO (models CTO)	45R0770	1
PL (models CTO)	45R0777	1
PO (models CTO)	45R0774	1
RU (models CTO)	45R0773	1
RE (models CTO)	45R2318	1
HU (models CTO)	45R0780	1
CZ (models CTO)	45R0776	1
TR (models CTO)	45R0775	1
GK (models CTO)	45R0772	1
SL (models CTO)	45R2326	1
Japanese (models CTO)	45R0757	1
Simplified Chinese (models CTO)	45R0758	1
Taiwan-TC (models CTO)	45R0768	1
Hong Kong-TC (models CTO)	45R0769	1
Korean (models CTO)	45R0771	1
Multilingual 1 XP-Pro -- EN, NL, FR, GR, IT (models CTO)	45R8246	1
Multilingual 2 XP-Pro -- EN, DK, FI, NO, SV (models CTO)	45R8247	1

9352 Vista Home Basic 32 SP1 Recovery DVDs	FRU#	CRU
English (models CTO)	46R7273	1
Japanese (models CTO)	46R7274	1
Simplified Chinese (models CTO)	46R7275	1
French (models CTO)	46R7276	1
German (models CTO)	46R7277	1
Spanish (models CTO)	46R7278	1
Italian (models CTO)	46R7279	1
Brazilian Portuguese (models CTO)	46R7280	1
Danish (models CTO)	46R7281	1
Swedish (models CTO)	45R9758	1
Finland (models CTO)	45R9759	1
Dutch (models CTO)	45R9760	1
Traditional Chinese (models CTO)	46R7282	1
Hong Kong (models CTO)	46R7283	1
Norwegian (models CTO)	46R7284	1
Korean (models CTO)	45R9764	1
Slovenian (models CTO)	45R9765	1
Greek (models CTO)	45R9766	1
Russian (models CTO)	46R7285	1
Portuguese (models CTO)	45R9768	1
Turkish (models CTO)	45R9769	1
Czech (models CTO)	45R9770	1
Polish (models CTO)	45R9771	1
Russian English (models CTO)	46R7286	1
Arabic Localized (models CTO)	45R9773	1
Hebrew (models CTO)	45R9774	1
Hungarian (models CTO)	45R9775	1
Slovakian (models CTO)	45R9776	1

9352 Vista Business 32 SP1 Recovery DVDs	FRU#	CRU
English (models CTO)	46R7287	1
Japanese (models CTO)	46R7288	1
Simplified Chinese (models CTO)	46R7289	1
French (models CTO)	46R7290	1
German (models CTO)	46R7291	1
Spanish (models CTO)	46R7292	1
Italian (models CTO)	46R7293	1
Brazilian Portuguese (models CTO)	46R7294	1
Danish (models CTO)	46R7295	1

9352 Vista Business 32 SP1 Recovery DVDs	FRU#	CRU
Swedish (models CTO)	45R9786	1
Finland (models CTO)	45R9787	1
Dutch (models CTO)	45R9788	1
Traditional Chinese (models CTO)	46R7296	1
Hong Kong (models CTO)	46R7297	1
Norwegian (models CTO)	46R7298	1
Korean (models CTO)	45R9792	1
Slovenian (models CTO)	45R9793	1
Greek (models CTO)	45R9794	1
Russian (models CTO)	46R7299	1
Portuguese (models CTO)	45R9796	1
Turkish (models CTO)	45R9797	1
Czech (models CTO)	45R9798	1
Polish (models CTO)	45R9799	1
Russian English (models CTO)	46R7300	1
Arabic Localized (models CTO)	45R9801	1
Hebrew (models CTO)	45R9802	1
Romanian (models CTO)	45R9803	1
Hungarian (models CTO)	45R9804	1
Slovakian (models CTO)	45R9805	1
Serbian-Latin (models CTO)	45R9806	1

9352 Vista VHP SP1 Recovery DVDs	FRU#	CRU
English (models CTO)	46R7315	1
Japanese (models CTO)	46R7316	1
Simplified Chinese (models CTO)	46R7317	1
French (models CTO)	46R7318	1
German (models CTO)	46R7319	1
Spanish (models CTO)	46R7320	1
Italian (models CTO)	46R7321	1
Brazilian Portuguese (models CTO)	46R7322	1
Danish (models CTO)	46R7323	1
Swedish (models CTO)	45R9844	1
Finland (models CTO)	45R9845	1
Dutch (models CTO)	45R9846	1
Traditional Chinese (models CTO)	46R7324	1
Hong Kong (models CTO)	46R7325	1
Norwegian (models CTO)	46R7326	1
Korean (models CTO)	45R9850	1

9352 Vista VHP SP1 Recovery DVDs	FRU#	CRU
Slovenian (models CTO)	45R9851	1
Greek (models CTO)	45R9852	1
Russian (models CTO)	46R7327	1
Portuguese (models CTO)	45R9854	1
Turkish (models CTO)	45R9855	1
Czech (models CTO)	45R9856	1
Polish (models CTO)	45R9857	1
Russian English (models CTO)	46R7328	1
Arabic Localized (models CTO)	45R9859	1
Hebrew (models CTO)	45R9860	1
Romanian (models CTO)	45R9861	1
Hungarian (models CTO)	45R9862	1
Slovakian (models CTO)	45R9863	1
Serbian-Latin (models CTO)	45R9864	1

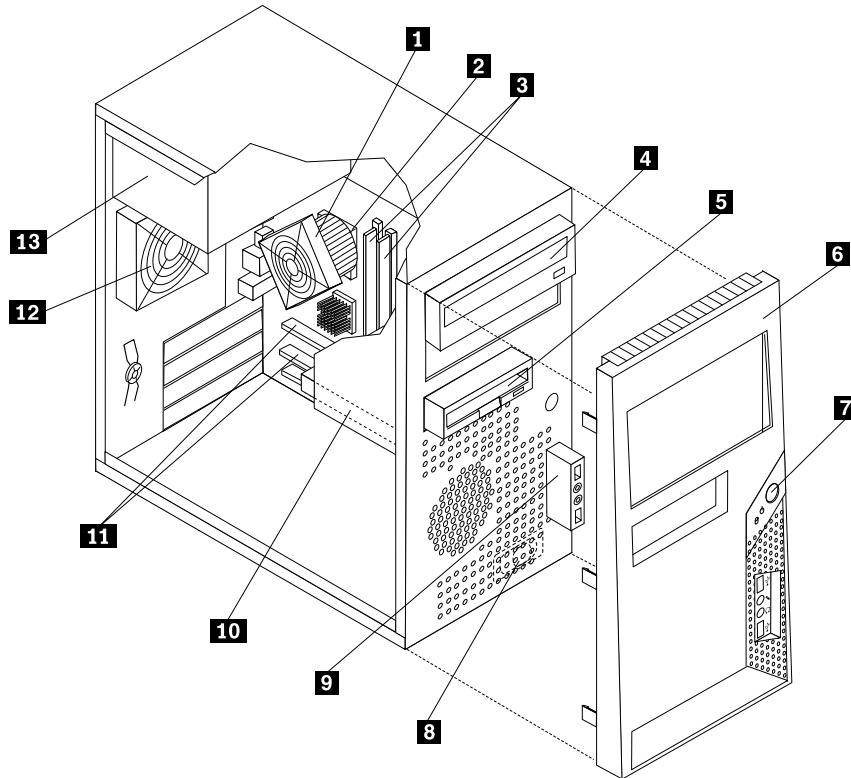
9352 Vista Business 64 SP1 Recovery DVDs	FRU#	CRU
English (models CTO)	46R7301	1
Japanese (models CTO)	46R7302	1
Simplified Chinese (models CTO)	46R7303	1
French (models CTO)	46R7304	1
German (models CTO)	46R7305	1
Spanish (models CTO)	46R7306	1
Italian (models CTO)	46R7307	1
Brazilian Portuguese (models CTO)	46R7308	1
Danish (models CTO)	46R7309	1
Swedish (models CTO)	45R9816	1
Danish (models CTO)	45R9817	1
Dutch (models CTO)	45R9818	1
Traditional Chinese (models CTO)	46R7310	1
HongKong (models CTO)	46R7311	1
Norwegian (models CTO)	46R7312	1
Russian (models CTO)	45R9822	1
Turkish (models CTO)	45R9823	1
Hungarian (models CTO)	45R9824	1
Greek (models CTO)	45R9825	1
Russian (models CTO)	46R7313	1
Taiwan (models CTO)	45R9827	1
HongKong (models CTO)	45R9828	1
Korea (models CTO)	45R9829	1

9352 Vista Business 64 SP1 Recovery DVDs	FRU#	CRU
Russian English (models CTO)	46R7314	1
Portuguese (models CTO)	45R9831	1
Arabic Localized (models CTO)	45R9832	1
Hebrew (models CTO)	45R9833	1
Slovakian (models CTO)	45R9834	1

9352 Vista Ultimate 32 SP1 Recovery DVDs	FRU#	CRU
English (models CTO)	46R7329	1
Japanese (models CTO)	46R7330	1
Simplified Chinese (models CTO)	46R7331	1
French (models CTO)	46R7332	1
German (models CTO)	46R7333	1
Spanish (models CTO)	46R7334	1
Italian (models CTO)	46R7335	1
Brazilian Portuguese (models CTO)	46R7336	1
Danish (models CTO)	46R7337	1
Swedish (models CTO)	45R9874	1
Finland (models CTO)	45R9875	1
Dutch (models CTO)	45R9876	1
Traditional Chinese (models CTO)	46R7338	1
Hong Kong (models CTO)	46R7339	1
Norwegian (models CTO)	46R7340	1
Korean (models CTO)	45R9880	1
Slovenian (models CTO)	45R9881	1
Greek (models CTO)	45R9882	1
Russian (models CTO)	46R7341	1
Portuguese (models CTO)	45R9884	1
Turkish (models CTO)	45R9885	1
Czech (models CTO)	45R9886	1
Polish (models CTO)	45R9887	1
Russian English (models CTO)	46R5089	1
Arabic Localized (models CTO)	46R7342	1
Hebrew (models CTO)	45R9890	1
Hungarian (models CTO)	45R9891	1
Slovakian (models CTO)	45R9892	1

9352 Vista Starter 32 Recovery DVDs	FRU#	CRU
English (models CTO)	46R5059	1

Machine Type 9356



Item #	9356 FRUs	FRU#	CRU Tier
1	Intel 65W/95W Heatsink Kit (Tower) (all models)	41R6429	2
2	Microprocessor, Celeron 420 CONROE-L 800/1600MHZ-512K,LGA,EM64T (models)	43C3835	N
2	Microprocessor, Celeron 430 CONROE-L 800/1800MHZ-512K,LGA,EM64T (models)	43C1964	N
2	Microprocessor, Celeron 440 CONROE-L 800/2000MHZ-512K,LGA,EM64T (models)	43C1965	N
2	Microprocessor, Pentium Dual-core E2140 CONROE-L 800/1600MHZ-1M, LGA, EM64T (models)	43C1967	N
2	Microprocessor, Pentium Dual-core E2160 CONROE-L 800/1800MHZ-1M, LGA, EM64T (models)	43C1968	N
2	Microprocessor, Core 2 Duo E4400 L2 CONROE 800/2000MHZ-2M, LGA, EM64T (models)	43C2056	N
2	Microprocessor, Core 2 Duo E6400 B2 CONROE 1066/2130MHZ-2M, LGA, EM64T L2 Value (models)	41X2496	N
2	Microprocessor, Pentium Dual-core E2200 CONROE-L 800/2200MHZ-1M, LGA, EM64T - NPI (models CTO)	45C5349	N
2	Microprocessor, Pentium Dual-core E2180 CONROE-L 800/2000MHZ-1M, LGA, EM64T - NPI (models CTO)	45C1773	N
2	Microprocessor, Pentium Dual-core E2220 CONROE-L 800/2400MHZ-1M, LGA, EM64T - NPI (models CTO)	45C1774	N
2	Microprocessor, Core 2 Duo E4600 M0 CONROE 800/2400MHZ-2M, LGA, EM64T - NPI (models CTO)	45C5282	N

Item #	9356 FRUs	FRU#	CRU Tier
2	Microprocessor, Core 2 Duo E4500 M0 CONROE 800/2200MHZ-2M, LGA, EM64T (models CTO)	43C6305	N
2	Microprocessor, Core 2 Duo E6850 G0 CONROE 1333/3000MHZ-4M, LGA, EM64T (models CTO)	43C1694	N
2	Microprocessor, Core 2 Duo E6750 G0 CONROE 1333/2660MHZ-4M, LGA, EM64T (models CTO)	43C1693	N
2	Microprocessor, Core 2 Duo E6550 G0 CONROE 1333/2330MHZ-4M, LGA, EM64T (models CTO)	43C3833	N
2	Microprocessor, Core 2 Quad G-0 Q6700 KENTSFIELD 1066/2660MHZ-8M (models CTO)	43C6309	N
2	Microprocessor, Core 2 Quad G-0 Q6600 KENTSFIELD 1066/2400MHZ-8M (models CTO)	43C1695	N
2	Microprocessor, Core 2 Duo E8500 WOLFDAL E 1333/3160MHZ-6M (models CTO)	45C7735	N
2	Microprocessor, Core 2 Duo E8400 WOLFDAL E 1333/3000MHZ-6M (models CTO)	45C7736	N
2	Microprocessor, Core 2 Duo E8200 WOLFDAL E 1333/2660MHZ-6M (models CTO)	45C7738	N
2	Microprocessor, Core 2 Duo E8190 WOLFDAL E 1333/2660MHZ-6M - NON VT/Vpro (models CTO)	45R2568	N
2	Microprocessor, Core 2 Quad Q9550 C-1 YORKFIELD 2.83GHz 1333MHZ FSB 12M L2 (models CTO)	45C7739	N
2	Microprocessor, Core 2 Quad Q9450 C-1 YORKFIELD 2.66GHz 1333MHZ FSB 12M L2 (models CTO)	45C7740	N
2	Microprocessor, Core 2 Quad Q9300 M-1 YORKFIELD 2.5GHz 1333MHZ FSB 6M L2 (models CTO)	45C7741	N
2	Microprocessor, Core 2 Duo E8300 C-0 WOLFDAL E 2.83GHz 1333MHZ FSB 6M L2 (models CTO)	45C7737	N
2	Microprocessor, Core 2 Duo E7300 M-0 2.66GHz 1066MHz FSB 3M L2 (models CTO)	46R1622	N
2	Microprocessor, Core 2 Duo E7200 M-0 2.53GHz 1066MHz FSB 3M L2 (models CTO)	45R8337	N
2	Microprocessor, Core 2 Duo E4700 G-0 2.6GHz 800MHz FSB 2M L2 (models CTO)	45R5786	N
2	Microprocessor, Celeron Dual Core E1400 M-0 2.0GHz 800MHz FSB 512K L2 (models CTO)	45R8339	N
2	Microprocessor, Celeron Dual Core E1200 M-0 1.6GHz 800MHz FSB 512K L2, LGA, EM64T - NPI (models CTO)	45R8341	N
2	Microprocessor, Core 2 Duo E8600 E-0 WOLFDAL E 3.33GHz 1333MHZ FSB 6M L2 (models CTO)	46R8640	N
3	Memory module, 512 MB PC-5300 (667MHz) DDR2 SDRAM (models)	41X4255	2
3	Memory module, 1 GB PC-5300 (667MHz) DDR2 SDRAM (models ADU ADF ADS ADP ADL ADD ADY ADG ADM ADA ADQ ADT ADC ADB ADH ADV ADK ADR ADE ADJ AEU AEF AES AEP AEL AED AEY AEG AEM AEA AEQ AET AEC AEB AEB AEH AEV AEK AER AEE AEJ AFU AFF AFS AFD AFL AFD AFY AFG AFM AFA AFQ AFT AFC AFB AFH AFV AFK AFR AFE AFJ AGU AGF AGS AGP AGL AGD AGY AGG AGM AGA AGQ AGT AGC AGB AGH AGV AGK AGR AGE AGJ B1U B1F B7U B7F B5U B5F B6G)	41X4256	2
3	Memory module, 2 GB PC-5300 (667MHz) DDR2 SDRAM (models ACM AAM AAA AAK ABM ABA ABJ B2M BCM BCA BCQ BCT BCK BCJ BBG)	41X4257	2
3	Memory module, 512 MB PC2-6400 (800MHz) DDR2 SDRAM (models)	41X1079	2
3	Memory module, 1GB PC-6400 (800MHz) DDR2 SDRAM (models)	41X1080	2

Item #	9356 FRUs	FRU#	CRU Tier
3	Memory module, 2GB PC-6400 (800MHz) DDR2 SDRAM (models B3M B3A B3Q B3T B3K B3J B4M B4A)	41X1081	2
4	DVD-ROM Drive - 16x/48x - SATA Vista & non-Vista (models)	41N3325	2
4	DVD-ROM Drive - DVD-ROM/CD-RW Combo Drive - 48x/32x/48x/16x - SATA Vista & non-Vista (models)	42Y9353	2
4	DVD-ROM Drive - DVD-RW/CD-RW Rambo 8 - SATA Vista & non-Vista (models ACM B2M B1U B1F B7U B7F B5U B5F B6G BCM BCA BCQ BCT BCK BCJ BBG)	43C1042	2
5	Diskette drive, 3.5" 1.44MB 2 Mode FDD with Bezel and cable (models)	40Y9107	2
5	Diskette drive, 3.5" 1.44MB 2 Mode FDD with Bezel and cable (models)	40Y9105	2
6	Bezel assembly without IBM mark (all models)	41R6243	2
7	Power switch/LED assembly (all models)	41N5284	2
8	Speaker assembly, soldered terminals (all models)	39P5023	2
9	Front audio/USB assembly (all models)	41N8054	2
10	Hard disk drive, SATA 80GB 7200RPM/3Gb/8MB (models)	40Y9034	2
10	Hard disk drive, SATA 160GB 7200RPM/3Gb/8MB (models ADU ADF ADS ADP ADL ADD ADY ADG ADM ADA ADQ ADT ADC ADB ADH ADV ADK ADR ADE AEU AEF AES AEP AEL AED AEY AEG AEM AEA AEQ AET AEC AEB AEB AEH AEV AEK AER AEE AFU AFF AFS AFD AFL AFD AFY AFG AFM AFA AFQ AFT AFC AFB AFH AFV AFK AFR AFE B1U B1F B7U B7F B5U B5F BCM BCA BCQ BCT BCK BCJ)	40Y9035	2
10	Hard disk drive, SATA 320GB 7200rpm SATA/8MB (models ACM B2M B6G BBG)	87H4891	2
11	System board , Intel G31 mATX GA Level (models ACM AAM AAA AAK ABM ABA ABJ ADU ADF ADS ADP ADL ADD ADY ADG ADM ADA ADQ ADT ADC ADB ADH ADV ADK ADR ADE ADJ AEU AEF AES AEP AEL AED AEY AEG AEM AEA AEQ AET AEC AEB AEB AEH AEV AEK AER AEE AEJ AFU AFF AFS AFD AFL AFD AFY AFG AFM AFA AFQ AFT AFC AFB AFH AFV AFK AFR AFE AFJ AGU AGF AGS AGP AGL AGD AGY AGG AGM AGA AGQ AGT AGC AGB AGH AGV AGK AGR AGE AGJ B2M B1U B1F B7U B7F B5U B5F B6G BCM BCA BCQ BCT BCK BCJ BBG)	53Y3282	N
12	Fan, 4 Pin System Fan (all models)	41R6269	2
13	Power supply, ATX 280W Power supply; Robust; for all countries except for JP (models ACM AAM AAA AAK ABM ABA ADU ADF ADS ADP ADL ADD ADY ADG ADM ADA ADQ ADT ADC ADB ADH ADV ADK ADR ADE AEU AEF AES AEP AEL AED AEY AEG AEM AEA AEQ AET AEC AEB AEB AEH AEV AEK AER AEE AFU AFF AFS AFD AFL AFD AFY AFG AFM AFA AFQ AFT AFC AFB AFH AFV AFK AFR AFE AGU AGF AGS AGP AGL AGD AGY AGG AGM AGA AGQ AGT AGC AGB AGH AGV AGK AGR AGE B2M B1U B1F B7U B7F B5U B5F B6G BCM BCA BCQ BCT BCK BBG)	41A9684	2
13	Power supply, ATX 280W 80% power supply;for all countries (models ACM AAM AAA AAK ABM ABA ADU ADF ADS ADP ADL ADD ADY ADG ADM ADA ADQ ADT ADC ADB ADH ADV ADK ADR ADE AEU AEF AES AEP AEL AED AEY AEG AEM AEA AEQ AET AEC AEB AEB AEH AEV AEK AER AEE AFU AFF AFS AFD AFL AFD AFY AFG AFM AFA AFQ AFT AFC AFB AFH AFV AFK AFR AFE AGU AGF AGS AGP AGL AGD AGY AGG AGM AGA AGQ AGT AGC AGB AGH AGV AGK AGR AGE B2M B1U B1F B7U B7F B5U B5F B6G BCM BCA BCQ BCT BCK BCJ BBG)	41A9665	2
13	Power supply, ATX 310W Power supply Robust; for all countries (models ACM AAM AAA AAK ABM ABA ADU ADF ADS ADP ADL ADD ADY ADG ADM ADA ADQ ADT ADC ADB ADH ADV ADK ADR ADE AEU AEF AES AEP AEL AED AEY AEG AEM AEA AEQ AET AEC AEB AEB AEH AEV AEK AER AEE AFU AFF AFS AFD AFL AFD AFY AFG AFM AFA AFQ AFT AFC AFB AFH AFV AFK AFR AFE AGU AGF AGS AGP AGL AGD AGY AGG AGM AGA AGQ AGT AGC AGB AGH AGV AGK AGR AGE B2M B1U B1F B7U B7F B5U B5F B6G BCM BCA BCQ BCT BCK BCJ BBG)	41A9726	2

The FRUs listed in the following tables are not illustrated.

9356 FRUs	FRU#	CRU Tier
Shield, 5.25 EMC (all models)	41N8080	2
Cable, SATA 457mm (RoHs) (all models)	43N9013	2
Cable, SATA 250mm (RoHs) (all models)	43N9012	2
Shield, diskette drive EMC (all models)	41N8078	2
Cable, Diskette drive (RoHs) (all models)	41A7182	2
Cover, left side (all models)	41N8050	2
Retainer, Card Reader (all models)	41R2913	2
Fan, front (all models)	41R4791	2
Optional HDD Bracket Asm, without 4Pin cable (all models)	41R6106	2
Intrusion Switch asm (all models)	41R6116	2
Hard disk drive tray (all models)	41R6291	2
Planer shield, Atx 946, with usb number (all models)	41R6378	N
Temperature Sense cable (460 mm) (all models)	41R2509	2
Asm Chassis Without IBM Mark (all models)	41R6408	2
Card reader retainer (all models)	43N9351	2
Blank 5.25" Bezel (models)	41N8077	3
Fru,Tamdhu chassis primary HDD cage (all models)	45K6272	1
Fru,Tamdhu ruber foot(For acoustic improvement) (all models)	45K6278	2
Batttery 3V- lithium (TOWER,ROCKYS,LX-607) (models ACM AAM AAA AAK ABM ABA ABJ ADU ADF ADS ADP ADL ADD ADY ADG ADM ADA ADQ ADT ADC ADB ADH ADV ADK ADR ADE ADJ AEU AEF AES AEP AEL AED AEY AEG AEM AEA AEQ AET AEC AEB AEB AEH AEV AEK AER AEE AEJ AFU AFF AFS AFD AFL AFD AFY AFG AFM AFA AFQ AFT AFC AFB AFH AFV AFK AFR AFE AFJ AGU AGF AGS AGP AGL AGD AGY AGG AGM AGA AGQ AGT AGC AGB AGH AGV AGK AGR AGE AGJ B2M B1U B1F B7U B7F B5U B5F B6G BCM BCA BCQ BCT BCK BCJ BBG)	45C1566	N

Keyboard (Lenovo USB Preferred -- without hub)	FRU#	CRU Tier
US English (models)	41A5039	1
Arabic (models)	41A5040	1
Arabic/French (models)	41A5041	1
Belgian/French (models)	41A5042	1
Belgian/English (models)	41A5043	1
Brazilian Portuguese (models)	41A5044	1
Bulgarian (models)	41A5045	1
Chinese/US (models)	41A5046	1
Czech (models)	41A5047	1
Danish (models)	41A5048	1
Dutch (models)	41A5049	1

Keyboard (Lenovo USB Preferred -- without hub)	FRU#	CRU Tier
French (models)	41A5050	1
French Canadian (models)	41A5051	1
French Canadian (models)	41A5052	1
German (models)	41A5053	1
Greek (models)	41A5054	1
Greek/US (models)	41A5080	1
Hebrew (models)	41A5055	1
Hungarian (models)	41A5056	1
Iceland (models)	41A5057	1
Italian (models)	41A5058	1
Japanese (models)	41A5059	1
Korean (models)	41A5060	1
LA Spanish (models)	41A5061	1
Norwegian (models)	41A5062	1
Polish (models)	41A5063	1
Portuguese (models)	41A5064	1
Romanian (models)	41A5065	1
Russian/Cyrillic (models)	41A5066	1
Serbian/Cyrillic (models)	41A5067	1
Slovak (models)	41A5068	1
Spanish (models)	41A5069	1
Swedish/Finnish (models)	41A5070	1
Swiss (models)	41A5071	1
Thailand (models)	41A5072	1
Turkish (models)	41A5073	1
Turkish (models)	41A5074	1
UK English (models)	41A5075	1
US Euro (models)	41A5076	1
Slovenian (models)	41A5077	1

Keyboard (Lenovo USB Preferred -- without hub)	FRU#	CRU Tier
US English (models ACM AAM AAA ABM ABA ADU ADG ADM ADA ADQ ADH ADR ADE AEU AEG AEM AEA AEQ AEH AER AEE AFU AFG AFM AFA AFQ AFH AFR AFE AFU AFG AFM AFA AFQ AFH AFR AFE AGU AGG AGM AGA AGQ AGH AGR AGE B2M B1U B7U B5U B6G BCM BCA BCQ BBG)	41A5289	1
Arabic (models ADG AEG AFG AGG B6G BBG)	41A5290	1
Arabic/French (models)	41A5291	1
Belgian/French (models ADG AEG AFG AGG B6G BBG)	41A5292	1
Belgian/UK (models ADG AEG AFG AGG B6G BBG)	41A5293	1

Keyboard (Lenovo USB Preferred -- without hub)	FRU#	CRU Tier
Brazilian Portuguese (models ADP AEP AFP AGP)	41A5294	1
Bulgarian (models ADG AEG AFG AGG B6G BBG)	41A5295	1
Chinese/US (models ADB ADV AEB AEV AFB AFV AGB AGV)	41A5296	1
Czech (models ADG AEG AFG AGG B6G BBG)	41A5297	1
Danish (models ADG AEG AFG AGG B6G BBG)	41A5298	1
Dutch (models ADG AEG AFG AGG B6G BBG)	41A5299	1
French (models ADG AEG AFG AGG B6G BBG)	41A5300	1
French Canadian (models ADF AEF AFF AGF B1F B7F B5F)	41A5301	1
French Canadian (models ADF AEF AFF AGF B1F B7F B5F)	41A5302	1
German (models ADG AEG AFG AGG B6G BBG)	41A5303	1
Greek (models ADG AEG AFG AGG B6G BBG)	41A5304	1
Greek/US (models ADG AEG AFG AGG B6G BBG)	41A5305	1
Hebrew (models ADG AEG AFG AGG B6G BBG)	41A5306	1
Hungarian (models ADG AEG AFG AGG B6G BBG)	41A5307	1
Iceland (models ADG AEG AFG AGG B6G BBG)	41A5308	1
Italian (models ADG AEG AFG AGG B6G BBG)	41A5309	1
Japanese (models ABJ ADJ AEJ AFJ AGJ)	41A5310	1
Korean (models AAK ADK AEK AFK AGK BCK)	41A5311	1
LA Spanish (models ADS ADD ADY AES AED AEY AFS AFD AFY AGS AGD AGY)	41A5312	1
Norwegian (models ADG AEG AFG AGG B6G BBG)	41A5313	1
Polish (models ADG AEG AFG AGG B6G BBG)	41A5314	1
Portuguese (models ADG AEG AFG AGG B6G BBG)	41A5315	1
Romanian (models ADG AEG AFG AGG B6G BBG)	41A5317	1
Russian/Cyrillic (models ADG AEG AFG AGG B6G BBG)	41A5318	1
Serbian/Cyrillic (models ADG AEG AFG AGG B6G BBG)	41A5319	1
Slovak (models ADG AEG AFG AGG B6G BBG)	41A5320	1
Spanish (models ADG AEG AFG AGG B6G BBG)	41A5321	1
Swedish/Finnish (models ADG AEG AFG AGG B6G BBG)	41A5322	1
Swiss (models ADG AEG AFG AGG B6G BBG)	41A5323	1
Thailand (models ADT AET AFT AGT BCT)	41A5324	1
Turkish (models ADG AEG AFG AGG B6G BBG)	41A5325	1
Turkish (models ADG AEG AFG AGG B6G BBG)	41A5326	1
UK English (models ADG AEG AFG AGG B6G BBG)	41A5327	1
US Euro (models ADG AEG AFG AGG B6G BBG)	41A5328	1
Slovenian (models ADG AEG AFG AGG B6G BBG)	41A5329	1

Keyboard (Lenovo Enhanced Perf, USB Preferred -- with hub)	FRU#	CRU Tier
US English (models)	41A4961	1
Arabic (models)	41A4962	1
Arabic/French (models)	41A4963	1
Belgian French (models)	41A4964	1
Belgium English (models)	41A4965	1
Brazilian Portuguese (models)	41A4966	1
Bulgarian (models)	41A4967	1
Chinese/US (models)	41A4968	1
Czech (ABB) (models)	41A4969	1
Danish (models)	41A4970	1
Dutch (models)	41A4971	1
French (models)	41A4972	1
French Canadian (models)	41A4973	1
French Canadian (models)	41A4974	1
German (models)	41A4975	1
Greek (models)	41A4976	1
Greek/US (models)	41A5078	1
Hebrew (models)	41A4977	1
Hungarian (models)	41A4978	1
Iceland (models)	41A4979	1
Italian (models)	41A4980	1
Japanese (models)	41A4981	1
Korean (models)	41A4982	1
LA Spanish (models)	41A4983	1
Norwegian (models)	41A4984	1
Polish (models)	41A4985	1
Portuguese (models)	41A4986	1
Romanian (models)	41A4987	1
Russian/Cyrilic (models)	41A4988	1
Serbian/Cyrilic (models)	41A4989	1
Slovak (models)	41A4990	1
Spanish (models)	41A4991	1
Swedish/Finnish (models)	41A4992	1
Swiss French/German (models)	41A4993	1
Thailand (models)	41A4994	1
Turkish (models)	41A4995	1
Turkish (models)	41A4996	1
UK English (models)	41A4997	1

Keyboard (Lenovo Enhanced Perf, USB Preferred -- with hub)	FRU#	CRU Tier
US Euro (models)	41A4998	1
Slovenian (models)	41A4999	1

Keyboard (Lenovo Fingerprint Reader USB)	FRU#	CRU Tier
US English (models)	41A5248	1
Arabic (models)	41A5249	1
Arabic/French (models)	41A5250	1
Belgian French (models)	41A5251	1
Belgium English (models)	41A5252	1
Brazilian Portuguese (models)	41A5253	1
Bulgarian (models)	41A5254	1
Chinese/US (models)	41A5255	1
Czech (ABB) (models)	41A5256	1
Danish (models)	41A5257	1
Dutch (models)	41A5258	1
French (models)	41A5259	1
French Canadian (models)	41A5260	1
French Canadian (models)	41A5261	1
German (models)	41A5262	1
Greek (models)	41A5263	1
Greek/US (models)	41A5264	1
Hebrew (models)	41A5265	1
Hungarian (models)	41A5266	1
Iceland (models)	41A5267	1
Italian (models)	41A5268	1
Japanese (models)	41A5269	1
Korean (models)	41A5270	1
LA Spanish (models)	41A5271	1
Norwegian (models)	41A5272	1
Polish (models)	41A5273	1
Portuguese (models)	41A5274	1
Romanian (models)	41A5276	1
Russian/Cyrilic (models)	41A5277	1
Serbian/Cyrilic (models)	41A5278	1
Slovak (models)	41A5279	1
Spanish (models)	41A5280	1
Swedish/Finnish (models)	41A5281	1
Swiss French/German (models)	41A5282	1

Keyboard (Lenovo Fingerprint Reader USB)	FRU#	CRU Tier
Thailand (models)	41A5283	1
Turkish (models)	41A5284	1
Turkish (models)	41A5285	1
UK English (models)	41A5286	1
US Euro (models)	41A5287	1
Slovenian (models)	41A5288	1

9356 mice	FRU#	CRU Tier
Optical Wheel Mouse (400DPI, USB) (all models)	41U3013	1
Optical Wheel Mouse (400DPI, USB) (all models)	41U3030	1
PS/2 Three Button ball mouse (41R0017) (models)	41R0018	1

9356 Adapters and miscellaneous FRUs	FRU#	CRU
Internal USB Memory Card Reader floppy bay (models)	41R3378	2
Internal USB 20 in 1 Memory CardReader floppy bay (models)	45R8139	2
USB Memory Key (models)	43R2296	2
Internal USB Memory Card Reader floppy bay (models)	41R3376	2
Soft Modem V.90/V.44 ATX (models CTO)	46R4220	2
ATI HD 2600XT 512MB 128BIT ATX (models)	43C0261	2
IEEE 1394 Firewire Adapter SFF (models)	41D2781	2
Internal USB Memory Card Reader Slim (models)	43C9207	1
USB Memory Key - 1G RoW (models)	41U4978	1
ADD2 DVI Adapter,FH (HDCP) (models)	43C0258	2
ATI HD 2400PRO 128MB 64BIT DMS59 LP (models)	43C0259	2
ATI HD 2400PRO 128MB 64BIT DMS59 ATX (models)	43C0259	2
ATI HD 2400XT 256MB 64BIT DMS59 ATX (models)	43C0260	2
DVI-I connection Adapter Full Height (models ACM AFU AFF AFS AFD AFL AFD AFY AFG AFM AFA AFQ AFT AFC AFB AFH AFV AFK AFR AFE AFJ AGU AGF AGS AGP AGL AGD AGY AGG AGM AGA AGQ AGT AGC AGB AGH AGV AGK AGR AGE AGJ B2M)	39J9334	2
DVI-I connection Adapter Low Profile (models)	39J9334	2
Speaker Power brick - US, Canada, LA low voltage, ASEAN (models AAA ABA ADA AEA AFA AGA ADS AES AFS AGS ADU AEU AFU AGU B1U B7U B5U BCA)	89P8571	1
Speaker Power brick - LA high voltage (non-APU) (models ADD AED AFD AGD)	89P8575	1
Speaker Power brick - China, Thailand (models ADT ADC AET AEC AFT AFC AGT AGC BCT)	89P8581	1
Speaker Power brick - Japan (models ABJ ADJ AEJ AFJ AGJ BCJ)	89P8577	1
Speaker Power brick - Brazil (models ADP AEP AFP AGP)	89P8583	1
Speaker Power brick - Argentina (models ADY AEY AFY AGY)	41A4901	1
Speaker Power brick - ANZ (modes ACM AAM ABM ADM AEM AFM AGM B2M BCM)	89P8579	1
Speaker Brick - Korea (models AAK ADK AEK AFK AGK BCK)	41A4903	1

9356 Adapters and miscellaneous FRUs	FRU#	CRU
Speaker Brick - Hong Kong, EMEA (models ADB ADH ADG AEB AEH AEG AFB AFH AFG AGB AGH AGG B6G BBG)	89P8573	1
Speaker Brick - Taiwan (models ADV AEV AFV AGV)	41A4905	1
Speaker Power brick - India, South Africa (models ADQ AEQ AFQ AGQ BCQ)	89P8585	1
Dongle DMS Dule DMS-59 to dual VGA Cable (models)	42Y8181	2
Dongle DMS Dule DMS-59 to dual DVI Cable (models)	41X6398	2

9356 Line Cords	FRU#	CRU
Line cord - US (models AAA ABA ADU ADF ADS ADD ADL ADA ADT AEU AEF AES AED AEL AEA AET AFU AFF AFS AFD AFL AFA AFT AGU AGF AGS AGD AGL AGA AGT B1U B1F B7U B7F B5U B5F BCA BCT)	41R3184	1
Line cord - US (models AAA ABA ADU ADF ADS ADD ADL ADA ADT AEU AEF AES AED AEL AEA AET AFU AFF AFS AFD AFL AFA AFT AGU AGF AGS AGD AGL AGA AGT B1U B1F B7U B7F B5U B5F BCA BCT)	41R3185	1
Line cord - China (models ADC AEC AFC AGC)	41R3256	1
Line cord - China (models ADC AEC AFC AGC)	41R3257	1
Line cord - Brazil (models ADP AEP AFP AGP)	41R3270	1
Line cord - Brazil (models ADP AEP AFP AGP)	41R3271	1
Line cord - LA High Volt APU (models ADY AEY AFY AGY)	41R3176	1
Line Cord - LA High Volt APU (models ADY AEY AFY AGY)	41R3177	1
Line Cord - Korea (models AAK ADK AEK AFK AGK BCK)	41R3260	1
Line Cord - Korea (models AAK ADK AEK AFK AGK BCK)	41R3261	1
Line Cord - UK, Ireland, Singapore, Malaysia, Brunei (models AAA ABA ADA AEA AFA AGA ADY AEY AFY AGY)	41R3224	1
Line Cord - UK, Ireland, Singapore, Malaysia, Brunei (models AAA ABA ADA AEA AFA AGA ADY AEY AFY AGY)	41R3225	1
Line Cord - Taiwan (models ADV AEV AFV AGV)	41R3278	1
Line Cord - Taiwan (models ADV AEV AFV AGV)	41R3279	1
Line Cord - Italy (models ADG AEG AFG AGG B6G BBG)	41R3232	1
Line Cord - Italy (models ADG AEG AFG AGG B6G BBG)	41R3233	1
Line Cord - Indonesia, Laos, Cambodia, and Vietnam (models AAA ABA ADA AEA AFA AGA BCA)	41R3208	1
Line Cord - Indonesia, Laos, Cambodia, and Vietnam (models AAA ABA ADA AEA AFA AGA BCA)	41R3209	1
Line Cord - Denmark (models ADG AEG AFG AGG B6G BBG)	41R3212	1
Line Cord - Denmark (models ADG AEG AFG AGG B6G BBG)	41R3213	1
Line Cord - Switzerland (models ADG AEG AFG AGG B6G BBG)	41R3228	1
Line Cord - Switzerland (models ADG AEG AFG AGG B6G BBG)	41R3229	1
Line Cord - Israel (models ADG AEG AFG AGG B6G BBG)	41R3236	1
Line Cord - Israel (models ADG AEG AFG AGG B6G BBG)	41R3237	1
Line Cord - South Africa (models ACM AAM AAA ABM ABA ADA AEA AFA AGA ADM AEM AFM AGM B2M BCM BCA)	41R3220	1

9356 Line Cords	FRU#	CRU
Line Cord - South Africa (models ACM AAM AAA ABM ABA ADA AEA AFA AGA ADM AEM AFM AGM B2M BCM BCA)	41R3221	1
Line Cord - India (models ADQ AEQ AFQ AGQ B3Q BCQ)	41R3341	1
Line Cord - India (models ADQ AEQ AFQ AGQ B3Q BCQ)	41R3175	1
Line Cord - Japan (models ABJ ADJ AEJ AFJ AGJ BCJ)	41R3248	1
Line Cord - Japan (models ABJ ADJ AEJ AFJ AGJ BCJ)	41R3249	1
Line Cord - ANZ (models AAM ABM ADM AEM AFM AGM B2M BCM)	41R3196	1
Line Cord - ANZ (models AAM ABM ADM AEM AFM AGM B2M BCM)	41R3197	1
Line Cord - Hong Kong (models ADB ADH AEB AEH AFB AFH AGB AGH)	41R3224	1
Line Cord - Hong Kong (models ADB ADH AEB AEH AFB AFH AGB AGH)	41R3225	1

9356 Windows XP Home Recovery CDs	FRU#	CRU
US/UK/AP/TH (models)	TBD	1
FR/CF (models)	TBD	1
GR (models)	TBD	1
IT (models)	TBD	1
BR (models)	TBD	1
SP/LA (models)	TBD	1
DK (models)	TBD	1
NL (models)	TBD	1
AE (models)	TBD	1
SV (models)	TBD	1
HE (models)	TBD	1
FI (models)	TBD	1
NO (models)	TBD	1
PL (models)	TBD	1
PO (models)	TBD	1
RU (models)	TBD	1
RE (models)	TBD	1
HU (models)	TBD	1
CZ (models)	TBD	1
TR (models)	TBD	1
GK (models)	TBD	1
Japanese (models)	TBD	1
Simplified Chinese (models)	TBD	1
Taiwan-TC (models)	TBD	1
Hong Kong-TC (models)	TBD	1
Korean (models)	TBD	1

9356 Windows XP Pro Recovery CDs	FRU#	CRU
US/UK/AP/TH (models B5U B6G)	45R0756	1
FR/CF (models B5U B6G)	45R0759	1
GR (models B6G)	45R0760	1
IT (models B6G)	45R0762	1
BR (models)	45R0763	1
SP/LA (models)	45R0761	1
DK (models B6G)	45R0764	1
NL (models B6G)	45R0767	1
AE (models B6G)	45R2342	1
SV (Swedish) (models B6G)	45R0765	1
HE (models B6G)	45R2334	1
FI (models B6G)	45R0766	1
NO (models B6G)	45R0770	1
PL (models B6G)	45R0777	1
PO (models B6G)	45R0774	1
RU (models B6G)	45R0773	1
RE (models B6G)	45R2318	1
HU (models B6G)	45R0780	1
CZ (models B6G)	45R0776	1
TR (models B6G)	45R0775	1
GK (models B6G)	45R0772	1
SL (models B6G)	45R2326	1
Japanese (models)	45R0757	1
Simplified Chinese (models)	45R0758	1
Taiwan-TC (models)	45R0768	1
Hong Kong-TC (models)	45R0769	1
Korean (models)	45R0771	1
Multilingual 1 XP-Pro -- EN, NL, FR, GR, IT (models B6G)	45R8246	1
Multilingual 2 XP-Pro -- EN, DK, FI, NO, SV (models B6G)	45R8247	1

9356 Vista Home Basic 32 SP1 Recovery DVDs	FRU#	CRU
English (models)	46R7273	1
Japanese (models)	46R7274	1
Simplified Chinese (models)	46R7275	1
French (models)	46R7276	1
German (models)	46R7277	1
Spanish (models)	46R7278	1
Italian (models)	46R7279	1
Brazilian Portuguese (models)	46R7280	1

9356 Vista Home Basic 32 SP1 Recovery DVDs	FRU#	CRU
Danish (models)	46R7281	1
Swedish (models)	45R9758	1
Finland (models)	45R9759	1
Dutch (models)	45R9760	1
Traditional Chinese (models)	46R7282	1
Hong Kong (models)	46R7283	1
Norwegian (models)	46R7284	1
Korean (models)	45R9764	1
Slovenian (models)	45R9765	1
Greek (models)	45R9766	1
Russian (models)	46R7285	1
Portuguese (models)	45R9768	1
Turkish (models)	45R9769	1
Czech (models)	45R9770	1
Polish (models)	45R9771	1
Russian English (models)	46R7286	1
Arabic Localized (models)	45R9773	1
Hebrew (models)	45R9774	1
Hungarian (models)	45R9775	1
Slovakian (models)	45R9776	1

9356 Vista Business 32 SP1 Recovery DVDs	FRU#	CRU
English (models ACM AAM AAA ABM ABA ADU ADG ADM ADA ADQ ADH ADR ADE AEU AEG AEM AEA AEQ AEH AER AEE AFU AFG AFM AFA AFQ AFH AFR AFE AGU AGG AGM AGA AGQ AGH AGR AGE B2M B1U B7U BCM BCA BCQ BBG)	46R7287	1
Japanese (models ABJ ADJ AEJ AFJ AGJ BCJ)	46R7288	1
Simplified Chinese (models ADC AEC AFC AGC)	46R7289	1
French (models ADG ADF AEG AEF AFG AFFAGG AGF B1F B7F BBG)	46R7290	1
German (models ADG AEG AFG AGG BBG)	46R7291	1
Spanish (models ADG AEG AFG AGG BBG)	46R7292	1
Italian (models ADG AEG AFG AGG BBG)	46R7293	1
Brazilian Portuguese (models ADP AEP AFP AGP)	46R7294	1
Danish (models ADG AEG AFG AGG BBG)	46R7295	1
Swedish (models ADG AEG AFG AGG BBG)	45R9786	1
Finland (models ADG AEG AFG AGG BBG)	45R9787	1
Dutch (models ADG AEG AFG AGG BBG)	45R9788	1
Traditional Chinese (models ADV AEV AFV AGV)	46R7296	1
Hong Kong (models ADB AEB AFB AGB)	46R7297	1
Norwegian (models ADG AEG AFG AGG BBG)	46R7298	1
Korean (models AAK ADK AEK AFK AGK BCK)	45R9792	1

9356 Vista Business 32 SP1 Recovery DVDs	FRU#	CRU
Slovenian (models ADG AEG AFG AGG BBG)	45R9793	1
Greek (models ADG AEG AFG AGG BBG)	45R9794	1
Russian (models ADG AEG AFG AGG BBG)	46R7299	1
Portuguese (models ADG AEG AFG AGG BBG)	45R9796	1
Turkish (models)	45R9797	1
Czech (models ADG AEG AFG AGG BBG)	45R9798	1
Polish (models ADG AEG AFG AGG BBG)	45R9799	1
Russian English (models ADG AEG AFG AGG BBG)	46R7300	1
Arabic Localized (models)	45R9801	1
Hebrew (models ADG AEG AFG AGG BBG)	45R9802	1
Romanian (models ADG AEG AFG AGG BBG)	45R9803	1
Hungarian (models ADG AEG AFG AGG BBG)	45R9804	1
Slovakian (models ADG AEG AFG AGG BBG)	45R9805	1
Serbian-Latin (models)	45R9806	1

9356 Vista VHP SP1 Recovery DVDs	FRU#	CRU
English (models)	46R7315	1
Japanese (models)	46R7316	1
Simplified Chinese (models)	46R7317	1
French (models)	46R7318	1
German (models)	46R7319	1
Spanish (models)	46R7320	1
Italian (models)	46R7321	1
Brazilian Portuguese (models)	46R7322	1
Danish (models)	46R7323	1
Swedish (models)	45R9844	1
Finland (models)	45R9845	1
Dutch (models)	45R9846	1
Traditional Chinese (models)	46R7324	1
Hong Kong (models)	46R7325	1
Norwegian (models)	46R7326	1
Korean (models)	45R9850	1
Slovenian (models)	45R9851	1
Greek (models)	45R9852	1
Russian (models)	46R7327	1
Portuguese (models)	45R9854	1
Turkish (models)	45R9855	1
Czech (models)	45R9856	1
Polish (models)	45R9857	1

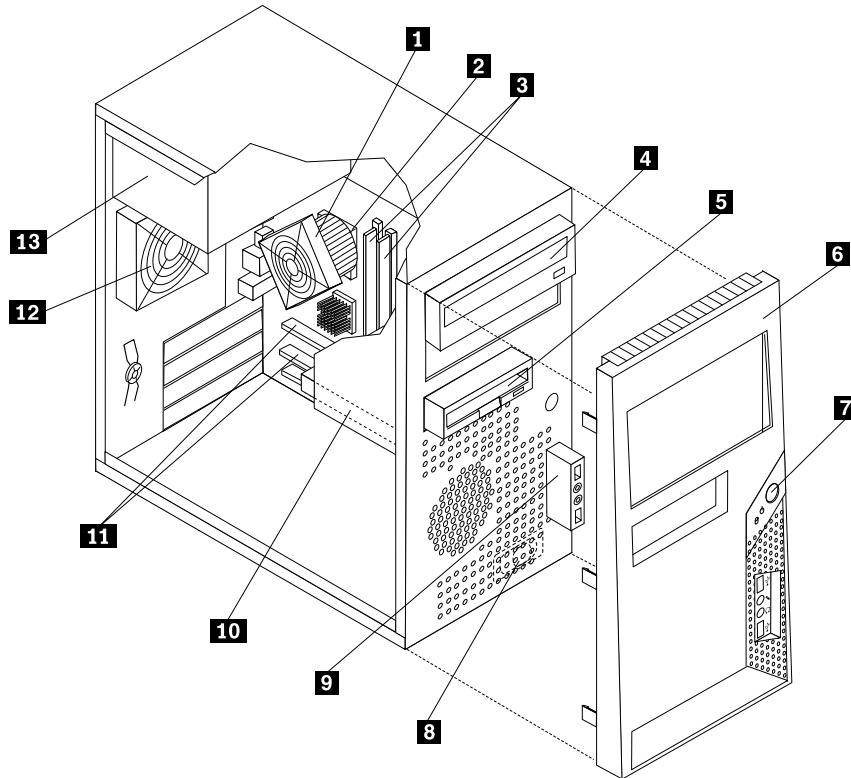
9356 Vista VHP SP1 Recovery DVDs	FRU#	CRU
Russian English (models)	46R7328	1
Arabic Localized (models)	45R9859	1
Hebrew (models)	45R9860	1
Romanian (models)	45R9861	1
Hungarian (models)	45R9862	1
Slovakian (models)	45R9863	1
Serbian-Latin (models)	45R9864	1

9356 Vista Business 64 SP1 Recovery DVDs	FRU#	CRU
English (models)	46R7301	1
Japanese (models)	46R7302	1
Simplified Chinese (models)	46R7303	1
French (models)	46R7304	1
German (models)	46R7305	1
Spanish (models)	46R7306	1
Italian (models)	46R7307	1
Brazilian Portuguese (models)	46R7308	1
Danish (models)	46R7309	1
Swedish (models)	45R9816	1
Danish (models)	45R9817	1
Dutch (models)	45R9818	1
Traditional Chinese (models)	46R7310	1
Hong Kong (models)	46R7311	1
Norwegian (models)	46R7312	1
Russian (models)	45R9822	1
Turkish (models)	45R9823	1
Hungarian (models)	45R9824	1
Greek (models)	45R9825	1
Russian (models)	46R7313	1
Taiwan (models)	45R9827	1
HongKong (models)	45R9828	1
Korea (models)	45R9829	1
Russian English (models)	46R7314	1
Portuguese (models)	45R9831	1
Arabic Localized (models)	45R9832	1
Hebrew (models)	45R9833	1
Slovakian (models)	45R9834	1

9356 Vista Ultimate 32 SP1 Recovery DVDs	FRU#	CRU
English (models)	46R7329	1
Japanese (models)	46R7330	1
Simplified Chinese (models)	46R7331	1
French (models)	46R7332	1
German (models)	46R7333	1
Spanish (models)	46R7334	1
Italian (models)	46R7335	1
Brazilian Portuguese (models)	46R7336	1
Danish (models)	46R7337	1
Swedish (models)	45R9874	1
Finland (models)	45R9875	1
Dutch (models)	45R9876	1
Traditional Chinese (models)	45R9877	1
Hong Kong (models)	45R9878	1
Norwegian (models)	45R9879	1
Korean (models)	45R9880	1
Slovenian (models)	45R9881	1
Greek (models)	45R9882	1
Russian (models)	46R7341	1
Portuguese (models)	45R9884	1
Turkish (models)	45R9885	1
Czech (models)	45R9886	1
Polish (models)	45R9887	1
Russian English (models)	46R5089	1
Arabic Localized (models)	46R7342	1
Hebrew (models)	45R9890	1
Hungarian (models)	45R9891	1
Slovakian (models)	45R9892	1

9356 Vista Starter 32 Recovery DVDs	FRU#	CRU
English (models)	46R5059	1

Machine Type 9357



Item #	9357 FRUs	FRU#	CRU Tier
1	Intel 84W heatsink kit (all models)	41R4803	2
1	Intel 65W/95W Heatsink Kit (Tower) (all models)	41R6429	2
2	Microprocessor, Celeron 420 CONROE-L 800/1600MHZ-512K,LGA,EM64T (models)	43C3835	N
2	Microprocessor, Celeron 430 CONROE-L 800/1800MHZ-512K,LGA,EM64T (models AAQ)	43C1964	N
2	Microprocessor, Celeron 440 CONROE-L 800/2000MHZ-512K,LGA,EM64T (models)	43C1965	N
2	Microprocessor, Pentium Dual-core E2140 CONROE-L 800/1600MHZ-1M, LGA, EM64T (models)	43C1967	N
2	Microprocessor, Pentium Dual-core E2160 CONROE-L 800/1800MHZ-1M, LGA, EM64T (models ABQ)	43C1968	N
2	Microprocessor, Core 2 Duo E4400 L2 CONROE 800/2000MHZ-2M, LGA, EM64T (models)	43C2056	N
2	Microprocessor, Core 2 Duo E6400 B2 CONROE 1066/2130MHZ-2M, LGA, EM64T L2 Value (models)	41X2496	N
2	Microprocessor, Pentium Dual-core E2200 CONROE-L 800/2200MHZ-1M, LGA, EM64T - NPI (models CTO)	45C5349	N
2	Microprocessor, Pentium Dual-core E2180 CONROE-L 800/2000MHZ-1M, LGA, EM64T - NPI (models CTO)	45C1773	N
2	Microprocessor, Pentium Dual-core E2220 CONROE-L 800/2400MHZ-1M, LGA, EM64T - NPI (models CTO)	45C1774	N

Item #	9357 FRUs	FRU#	CRU Tier
2	Microprocessor, Core 2 Duo E4600 M0 CONROE 800/2400MHZ-2M, LGA, EM64T - NPI (models CTO)	45C5282	N
2	Microprocessor, Core 2 Duo E4500 M0 CONROE 800/2200MHZ-2M, LGA, EM64T (models CTO)	43C6305	N
2	Microprocessor, Core 2 Duo E6850 G0 CONROE 1333/3000MHZ-4M, LGA, EM64T (models CTO)	43C1694	N
2	Microprocessor, Core 2 Duo E6750 G0 CONROE 1333/2660MHZ-4M, LGA, EM64T (models CTO)	43C1693	N
2	Microprocessor, Core 2 Duo E6550 G0 CONROE 1333/2330MHZ-4M, LGA, EM64T (models CTO)	43C3833	N
2	Microprocessor, Core 2 Quad G-0 Q6700 KENTSFIELD 1066/2660MHZ-8M (models CTO)	43C6309	N
2	Microprocessor, Core 2 Quad G-0 Q6600 KENTSFIELD 1066/2400MHZ-8M (models CTO)	43C1695	N
2	Microprocessor, Core 2 Duo E8500 WOLFDAL E 1333/3160MHZ-6M (models CTO)	45C7735	N
2	Microprocessor, Core 2 Duo E8400 WOLFDAL E 1333/3000MHZ-6M (models CTO)	45C7736	N
2	Microprocessor, Core 2 Duo E8200 WOLFDAL E 1333/2660MHZ-6M (models CTO)	45C7738	N
2	Microprocessor, Core 2 Duo E8190 WOLFDAL E 1333/2660MHZ-6M - NON VT/Vpro (models CTO)	45R2568	N
2	Microprocessor, Core 2 Quad Q9550 C-1 YORKFIELD 2.83GHz 1333MHZ FSB 12M L2 (models CTO)	45C7739	N
2	Microprocessor, Core 2 Quad Q9450 C-1 YORKFIELD 2.66GHz 1333MHZ FSB 12M L2 (models CTO)	45C7740	N
2	Microprocessor, Core 2 Quad Q9300 M-1 YORKFIELD 2.5GHz 1333MHZ FSB 6M L2 (models CTO)	45C7741	N
2	Microprocessor, Core 2 Duo E8300 C-0 WOLFDAL E 2.83GHz 1333MHZ FSB 6M L2 (models CTO)	45C7737	N
2	Microprocessor, Core 2 Duo E7300 M-0 2.66GHz 1066MHz FSB 3M L2 (models CTO)	46R1622	N
2	Microprocessor, Core 2 Duo E7200 M-0 2.53GHz 1066MHz FSB 3M L2 (models CTO)	45R8337	N
2	Microprocessor, Core 2 Duo E4700 G-0 2.6GHz 800MHz FSB 2M L2 (models CTO)	45R5786	N
2	Microprocessor, Celeron Dual Core E1400 M-0 2.0GHz 800MHz FSB 512K L2 (models CTO)	45R8339	N
2	Microprocessor, Celeron Dual Core E1200 M-0 1.6GHz 800MHz FSB 512K L2, LGA, EM64T - NPI (models CTO)	45R8341	N
2	Microprocessor, Core 2 Duo E8600 E-0 WOLFDAL E 3.33GHz 1333MHZ FSB 6M L2 (models CTO)	46R8640	N
3	Memory module, 512 MB PC-5300 (667MHz) DDR2 SDRAM (models AAQ)	41X4255	2
3	Memory module, 1 GB PC-5300 (667MHz) DDR2 SDRAM (models ABQ)	41X4256	2
3	Memory module, 2 GB PC-5300 (667MHz) DDR2 SDRAM (models)	41X4257	2
3	Memory module, 512 MB PC2-6400 (800MHz) DDR2 SDRAM (models)	41X1079	2
3	Memory module, 1GB PC-6400 (800MHz) DDR2 SDRAM (models)	41X1080	2
3	Memory module, 2GB PC-6400 (800MHz) DDR2 SDRAM (models)	41X1081	2
4	DVD-ROM Drive - 16x/48x - SATA Vista & non-Vista (models AAQ ABQ)	41N3325	2

Item #	9357 FRUs	FRU#	CRU Tier
4	DVD-ROM Drive - DVD-ROM/CD-RW Combo Drive - 48x/32x/48x/16x - SATA Vista & non-Vista (models)	42Y9353	2
4	DVD-ROM Drive - DVD-RW/CD-RW Rambo 8 - SATA Vista & non-Vista (models)	43C1042	2
5	Diskette drive, 3.5" 1.44MB 2 Mode FDD with Bezel and cable (models)	40Y9107	2
5	Diskette drive, 3.5" 1.44MB 2 Mode FDD with Bezel and cable (models)	40Y9105	2
6	Bezel assembly without IBM mark (all models)	41R6243	2
7	Power switch/LED assembly (all models)	41N5284	2
8	Speaker assembly, soldered terminals (all models)	39P5023	2
9	Front audio/USB assembly (all models)	41N8054	2
10	Hard disk drive, SATA 80GB 7200RPM/3Gb/8MB (models)	40Y9034	2
10	Hard disk drive, SATA 160GB 7200RPM/3Gb/8MB (models AAQ ABQ)	40Y9035	2
10	Hard disk drive, SATA 320GB 7200rpm SATA/8MB (models)	87H4891	2
11	System board , Intel G31 mATX GA Level (models AAQ ABQ)	53Y3282	N
12	Fan, 4 Pin System Fan (all models)	41R6269	2
13	Power supply, ATX 280W Power supply; Robust; for all countries except for JP (models AAQ ABQ)	41A9684	2
13	Power supply, ATX 280W 80% power supply;for all countries (models AAQ ABQ)	41A9665	2
13	Power supply, ATX 310W Power supply Robust; for all countries (models AAQ ABQ)	41A9726	2

The FRUs listed in the following tables are not illustrated.

9357 FRUs	FRU#	CRU Tier
Shield, 5.25 EMC (all models)	41N8080	2
Shield, diskette drive EMC (all models)	41N8078	2
Cable, Diskette drive (RoHs) (all models)	41A7182	2
Cable, SATA 457mm (RoHS) (TOWER) (all models)	43N9013	2
Cable, SATA 250mm (RoHS) (all models)	43N9012	2
Cover, left side (all models)	41N8050	2
Retainer, Card Reader (all models)	41R2913	2
Fan, front (all models)	41R4791	2
Optional HDD Bracket Asm, without 4Pin cable (all models)	41R6106	2
Intrusion Switch asm (all models)	41R6116	2
Hard disk drive tray (all models)	41R6291	2
Planer shield, Atx 946, with usb number (all models)	41R6378	N
Temperature Sense cable (460 mm) (all models)	41R2509	2
Asm Chassis Without IBM Mark Atlantic (all models)	41R6408	N
Card reader retainers (models)	43N9351	2
Blank 5.25" Bezel (models)	41N8077	3
Fru,Tamdhru chassis primary HDD cage (all models)	45K6272	1

9357 FRUs	FRU#	CRU Tier
Fru,Tamdhu ruber foot(For acoustic improvement) (all models)	45K6278	2
BATTERY 3V-LITHIUM (TOWER,ROCKYS,LX-607) (models AAQ ABQ)	45C1566	N

9357 Keyboard (Lenovo USB Preferred -- without hub)	FRU#	CRU Tier
US English (models)	41A5039	1
Arabic (models)	41A5040	1
Arabic/French (models)	41A5041	1
Belgian/French (models)	41A5042	1
Belgian/English (models)	41A5043	1
Brazilian Portuguese (models)	41A5044	1
Bulgarian (models)	41A5045	1
Chinese/US (models)	41A5046	1
Czech (models)	41A5047	1
Danish (models)	41A5048	1
Dutch (models)	41A5049	1
French (models)	41A5050	1
French Canadian (models)	41A5051	1
French Canadian (models)	41A5052	1
German (models)	41A5053	1
Greek (models)	41A5054	1
Greek/US (models)	41A5080	1
Hebrew (models)	41A5055	1
Hungarian (models)	41A5056	1
Iceland (models)	41A5057	1
Italian (models)	41A5058	1
Japanese (models)	41A5059	1
Korean (models)	41A5060	1
LA Spanish (models)	41A5061	1
Norwegian (models)	41A5062	1
Polish (models)	41A5063	1
Portuguese (models)	41A5064	1
Romanian (models)	41A5065	1
Russian/Cyrillic (models)	41A5066	1
Serbian/Cyrillic (models)	41A5067	1
Slovak (models)	41A5068	1
Spanish (models)	41A5069	1
Swedish/Finnish (models)	41A5070	1
Swiss (models)	41A5071	1

9357 Keyboard (Lenovo USB Preferred -- without hub)	FRU#	CRU Tier
Thailand (models)	41A5072	1
Turkish (models)	41A5073	1
Turkish (models)	41A5074	1
UK English (models)	41A5075	1
US Euro (models)	41A5076	1
Slovenian (models)	41A5077	1

9357 Keyboard (Lenovo USB Preferred -- without hub)	FRU#	CRU Tier
US English (models AAQ ABQ)	41A5289	1
Arabic (models)	41A5290	1
Arabic/French (models)	41A5291	1
Belgian/French (models)	41A5292	1
Belgian/English (models)	41A5293	1
Brazilian Portuguese (models)	41A5294	1
Bulgarian (models)	41A5295	1
Chinese/US (models)	41A5296	1
Czech (models)	41A5297	1
Danish (models)	41A5298	1
Dutch (models)	41A5299	1
French (models)	41A5300	1
French Canadian (models)	41A5301	1
French Canadian (models)	41A5302	1
German (models)	41A5303	1
Greek (models)	41A5304	1
Greek/US (models)	41A5305	1
Hebrew (models)	41A5306	1
Hungarian (models)	41A5307	1
Iceland (models)	41A5308	1
Italian (models)	41A5309	1
Japanese (models)	41A5310	1
Korean (models)	41A5311	1
LA Spanish (models)	41A5312	1
Norwegian (models)	41A5313	1
Polish (models)	41A5314	1
Portuguese (models)	41A5315	1
Romanian (models)	41A5317	1
Russian/Cyrillic (models)	41A5318	1
Serbian/Cyrillic (models)	41A5319	1

9357 Keyboard (Lenovo USB Preferred -- without hub)	FRU#	CRU Tier
Slovak (models)	41A5320	1
Spanish (models)	41A5321	1
Swedish/Finnish (models)	41A5322	1
Swiss (models)	41A5323	1
Thailand (models)	41A5324	1
Turkish (models)	41A5325	1
Turkish (models)	41A5326	1
UK English (models)	41A5327	1
US Euro (models)	41A5328	1
Slovenian (models)	41A5329	1

9357 Keyboard (Lenovo Enhanced Perf, USB Preferred -- with hub)	FRU#	CRU Tier
US English (models)	41A4961	1
Arabic (models)	41A4962	1
Arabic/French (models)	41A4963	1
Belgian French (models)	41A4964	1
Belgium English (models)	41A4965	1
Brazilian Portuguese (models)	41A4966	1
Bulgarian (models)	41A4967	1
Chinese/US (models)	41A4968	1
Czech (ABB) (models)	41A4969	1
Danish (models)	41A4970	1
Dutch (models)	41A4971	1
French (models)	41A4972	1
French Canadian (models)	41A4973	1
French Canadian (models)	41A4974	1
German (models)	41A4975	1
Greek (models)	41A4976	1
Greek/US (models)	41A5078	1
Hebrew (models)	41A4977	1
Hungarian (models)	41A4978	1
Iceland (models)	41A4979	1
Italian (models)	41A4980	1
Japanese (models)	41A4981	1
Korean (models)	41A4982	1
LA Spanish (models)	41A4983	1
Norwegian (models)	41A4984	1
Polish (models)	41A4985	1

9357 Keyboard (Lenovo Enhanced Perf, USB Preferred -- with hub)	FRU#	CRU Tier
Portuguese (models)	41A4986	1
Romanian (models)	41A4987	1
Russian/Cyrilic (models)	41A4988	1
Serbian/Cyrilic (models)	41A4989	1
Slovak (models)	41A4990	1
Spanish (models)	41A4991	1
Swedish/Finnish (models)	41A4992	1
Swiss French/German (models)	41A4993	1
Thailand (models)	41A4994	1
Turkish (models)	41A4995	1
Turkish (models)	41A4996	1
UK English (models)	41A4997	1
US European (models)	41A4998	1
Slovenian (models)	41A4999	1

9357 Keyboard (Lenovo Fingerprint Reader USB)	FRU#	CRU Tier
US English (models)	41A5248	1
Arabic (models)	41A5249	1
Arabic/French (models)	41A5250	1
Belgian French (models)	41A5251	1
Belgium English (models)	41A5252	1
Brazilian Portuguese (models)	41A5253	1
Bulgarian (models)	41A5254	1
Chinese/US (models)	41A5255	1
Czech (ABB) (models)	41A5256	1
Danish (models)	41A5257	1
Dutch (models)	41A5258	1
French (models)	41A5259	1
French Canadian (models)	41A5260	1
French Canadian (models)	41A5261	1
German (models)	41A5262	1
Greek (models)	41A5263	1
Greek/US (models)	41A5264	1
Hebrew (models)	41A5265	1
Hungarian (models)	41A5266	1
Iceland (models)	41A5267	1
Italian (models)	41A5268	1
Japanese (models)	41A5269	1

9357 Keyboard (Lenovo Fingerprint Reader USB)	FRU#	CRU Tier
Korean (models)	41A5270	1
LA Spanish (models)	41A5271	1
Norwegian (models)	41A5272	1
Polish (models)	41A5273	1
Portuguese (models)	41A5274	1
Romanian (models)	41A5276	1
Russian/Cyrilic (models)	41A5277	1
Serbian/Cyrilic (models)	41A5278	1
Slovak (models)	41A5279	1
Spanish (models)	41A5280	1
Swedish/Finnish (models)	41A5281	1
Swiss French/German (models)	41A5282	1
Thailand (models)	41A5283	1
Turkish (models)	41A5284	1
Turkish (models)	41A5285	1
UK English (models)	41A5286	1
US European (models)	41A5287	1
Slovenian (models)	41A5288	1

9357 mice	FRU#	CRU Tier
Optical Wheel Mouse (400DPI, USB) (models AAQ ABQ)	41U3013	1
Optical Wheel Mouse (400DPI, USB) (models AAQ ABQ)	41U3030	1
PS/2 Three Button ball mouse (41R0017) (models)	41R0018	1

9357 Adapters and miscellaneous FRUs	FRU#	CRU
Internal USB Memory Card Reader floppy bay (models)	41R3378	2
Internal USB 20 in 1 Memory CardReader floppy bay (models)	45R8139	2
USB Memory Key (models)	43R2296	2
Internal USB Memory Card Reader floppy bay (models)	41R3376	2
Soft Modem V.90/V.44 ATX (models CTO)	46R4220	2
ATI HD 2600XT 512MB 128BIT ATX (models)	43C0261	2
IEEE 1394 Firewire Adapter SFF (models)	41D2781	2
Internal USB Memory Card Reader Slim (models CTO)	43C9207	1
USB Memory Key - 1G RoW (models)	41U4978	1
ADD2 DVI Adapter,FH (HDCP) (models)	43C0258	2
ATI HD 2400PRO 128MB 64BIT DMS59 LP (models)	43C0259	2
ATI HD 2400PRO 128MB 64BIT DMS59 ATX (models)	43C0259	2
ATI HD 2400XT 256MB 64BIT DMS59 ATX (models)	43C0260	2

9357 Adapters and miscellaneous FRUs	FRU#	CRU
DVI-I connection Adapter Full Height(models)	39J9334	2
DVI-I connection Adapter Low Profile (models)	39J9334	2
Speaker Power brick - US, Canada, LA low voltage, ASEAN (models)	89P8571	1
Speaker Power brick - LA high voltage (non-APU) (models)	89P8575	1
Speaker Power brick - China, Thailand (models)	89P8581	1
Speaker Power brick - Japan (models)	89P8577	1
Speaker Power brick - Brazil (models)	89P8583	1
Speaker Power brick - Argentina (models)	41A4901	1
Speaker Power brick - ANZ (modes)	89P8579	1
Speaker Brick - Korea (models)	41A4903	1
Speaker Brick - Hong Kong, EMEA (models)	89P8573	1
Speaker Brick - Taiwan (models)	41A4905	1
Speaker Power brick - India, South Africa (models AAQ ABQ)	89P8585	1
Dongle DMS Dule DMS-59 to dual VGA Cable (models)	42Y8181	2
Dongle DMS Dule DMS-59 to dual DVI Cable (models)	41X6398	2

9357 Line Cords	FRU#	CRU
Line cord - US (models)	41R3184	1
Line cord - US (models)	41R3185	1
Line cord - China (models)	41R3256	1
Line cord - China (models)	41R3257	1
Line cord - Brazil (models)	41R3270	1
Line cord - Brazil (models)	41R3271	1
Line cord - LA High Volt APU (models)	41R3176	1
Line Cord - LA High Volt APU (models)	41R3177	1
Line Cord - Korea (models)	41R3260	1
Line Cord - Korea (models)	41R3261	1
Line Cord - UK, Ireland, Singapore, Malaysia, Brunei (models)	41R3224	1
Line Cord - UK, Ireland, Singapore, Malaysia, Brunei (models)	41R3225	1
Line Cord - Taiwan (models)	41R3278	1
Line Cord - Taiwan (models)	41R3279	1
Line Cord - Italy (models)	41R3232	1
Line Cord - Italy (models)	41R3233	1
Line Cord - Indonesia, Laos, Cambodia, and Vietnam (models)	41R3208	1
Line Cord - Indonesia, Laos, Cambodia, and Vietnam (models)	41R3209	1
Line Cord - Denmark (models)	41R3212	1
Line Cord - Denmark (models)	41R3213	1
Line Cord - Switzerland (models)	41R3228	1
Line Cord - Switzerland (models)	41R3229	1

9357 Line Cords	FRU#	CRU
Line Cord - Israel (models)	41R3236	1
Line Cord - Israel (models)	41R3237	1
Line Cord - South Africa (models)	41R3220	1
Line Cord - South Africa (models)	41R3221	1
Line Cord - India (models AAQ ABQ)	41R3341	1
Line Cord - India (models AAQ ABQ)	41R3175	1
Line Cord - Japan (models)	41R3248	1
Line Cord - Japan (models)	41R3249	1
Line Cord - ANZ (models)	41R3196	1
Line Cord - ANZ (models)	41R3197	1
Line Cord - Hong Kong (models)	41R3224	1
Line Cord - Hong Kong (models)	41R3225	1

9357 Windows XP Home Recovery CDs	FRU#	CRU
US/UK/AP/TH (models)	TBD	1
FR/CF (models)	TBD	1
GR (models)	TBD	1
IT (models)	TBD	1
BR (models)	TBD	1
SP/LA (models)	TBD	1
DK (models)	TBD	1
NL (models)	TBD	1
AE (models)	TBD	1
SV (models)	TBD	1
HE (models)	TBD	1
FI (models)	TBD	1
NO (models)	TBD	1
PL (models)	TBD	1
PO (models)	TBD	1
RU (models)	TBD	1
RE (models)	TBD	1
HU (models)	TBD	1
CZ (models)	TBD	1
TR (models)	TBD	1
GK (models)	TBD	1
Japanese (models)	TBD	1
Simplified Chinese (models)	TBD	1
Taiwan-TC (models)	TBD	1

9357 Windows XP Home Recovery CDs	FRU#	CRU
Hong Kong-TC (models)	TBD	1
Korean (models)	TBD	1

9357 Windows XP Pro Recovery CDs	FRU#	CRU
US English (models)	45R0779	1
French (models)	45R0766	1
German (models)	45R0770	1
IT (models)	45R0777	1
Brazilian Portuguese (models)	45R0774	1
Spanish (models)	45R0773	1
Danish (models)	TBD	1
Dutch (models)	45R0780	1
Arabic English (models)	45R0776	1
Swedish (models)	45R0775	1
Hebrew (models)	45R0772	1
Finish (models)	TBD	1
Norwegian (models)	45R0757	1
Polish (models)	45R0758	1
Portuguese (models)	45R0768	1
Russian (models)	45R0769	1
Russian English (models)	45R0771	1
Hungarian (models)	45R0778	1
Czech (models)	TBD	1
Turkish (models)	TBD	1
Greek (models)	45R0772	1
Slovakian (models)	TBD	1
Japanese (models)	45R0757	1
Simplified Chinese (models)	45R0758	1
Traditional Chinese (models)	45R0768	1
Hong Kong Traditional Chinese (models)	45R0769	1
Korea (models)	45R0771	1
Arabic Localized (models)	45R0778	1
Multilingual 1 XP-Pro -- EN, NL, FR, GR, IT (models)	45R8246	1
Multilingual 2 XP-Pro -- EN, DK, FI, NO, SV (models)	45R8247	1

9357 Vista Home Basic 32 SP1 Recovery DVDs	FRU#	CRU
English (models)	46R7273	1
Japanese (models)	46R7274	1
Simplified Chinese (models)	46R7275	1

9357 Vista Home Basic 32 SP1 Recovery DVDs	FRU#	CRU
French (models)	46R7276	1
German (models)	46R7277	1
Spanish (models)	46R7278	1
Italian (models)	46R7279	1
Brazilian Portuguese (models)	46R7280	1
Danish (models)	46R7281	1
Swedish (models)	45R9758	1
Finland (models)	45R9759	1
Dutch (models)	45R9760	1
Traditional Chinese (models)	46R7282	1
Hong Kong (models)	46R7283	1
Norwegian (models)	46R7284	1
Korean (models)	45R9764	1
Slovenian (models)	45R9765	1
Greek (models)	45R9766	1
Russian (models)	46R7285	1
Portuguese (models)	45R9768	1
Turkish (models)	45R9769	1
Czech (models)	45R9770	1
Polish (models)	45R9771	1
Russian English (models)	46R7286	1
Arabic Localized (models)	45R9773	1
Hebrew (models)	45R9774	1
Hungarian (models)	45R9775	1
Slovakian (models)	45R9776	1

9357 Vista Business 32 SP1 Recovery DVDs	FRU#	CRU
English (models AAQ ABQ)	46R7287	1
Japanese (models)	46R7288	1
Simplified Chinese (models)	46R7289	1
French (models)	46R7290	1
German (models)	46R7291	1
Spanish (models)	46R7292	1
Italian (models)	46R7293	1
Brazilian Portuguese (models)	46R7294	1
Danish (models)	46R7295	1
Swedish (models)	45R9786	1
Finland (models)	45R9787	1
Dutch (models)	45R9788	1

9357 Vista Business 32 SP1 Recovery DVDs	FRU#	CRU
Traditional Chinese (models)	46R7296	1
Hong Kong (models)	46R7297	1
Norwegian (models)	46R7298	1
Korean (models)	45R9792	1
Slovenian (models)	45R9793	1
Greek (models)	45R9794	1
Russian (models)	46R7299	1
Portuguese (models)	45R9796	1
Turkish (models)	45R9797	1
Czech (models)	45R9798	1
Polish (models)	45R9799	1
Russian English (models)	46R7300	1
Arabic Localized (models)	45R9801	1
Hebrew (models)	45R9802	1
Romanian (models)	45R9803	1
Hungarian (models)	45R9804	1
Slovakian (models)	45R9805	1
Serbian-Latin (models)	45R9806	1

9357 Vista VHP SP1 Recovery DVDs	FRU#	CRU
English (models)	46R7315	1
Japanese (models)	46R7316	1
Simplified Chinese (models)	46R7317	1
French (models)	46R7318	1
German (models)	46R7319	1
Spanish (models)	46R7320	1
Italian (models)	46R7321	1
Brazilian Portuguese (models)	46R7322	1
Danish (models)	46R7323	1
Swedish (models)	45R9844	1
Finland (models)	45R9845	1
Dutch (models)	45R9846	1
Traditional Chinese (models)	46R7324	1
Hong Kong (models)	46R7325	1
Norwegian (models)	46R7326	1
Korean (models)	45R9850	1
Slovenian (models)	45R9851	1
Greek (models)	45R9852	1
Russian (models)	46R7327	1

9357 Vista VHP SP1 Recovery DVDs	FRU#	CRU
Portuguese (models)	45R9854	1
Turkish (models)	45R9855	1
Czech (models)	45R9856	1
Polish (models)	45R9857	1
Russian English (models)	46R7328	1
Arabic Localized (models)	45R9859	1
Hebrew (models)	45R9860	1
Romanian (models)	45R9861	1
Hungarian (models)	45R9862	1
Slovakian (models)	45R9863	1
Serbian-Latin (models)	45R9864	1

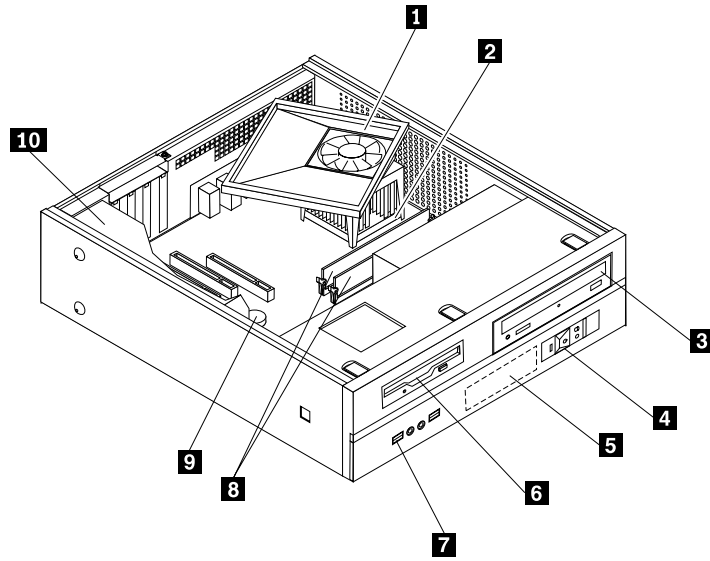
9357 Vista Business 64 SP1 Recovery DVDs	FRU#	CRU
English (models)	46R7301	1
Japanese (models)	46R7302	1
Simplified Chinese (models)	46R7303	1
French (models)	46R7304	1
German (models)	46R7305	1
Spanish (models)	46R7306	1
Italian (models)	46R7307	1
Brazilian Portuguese (models)	46R7308	1
Danish (models)	46R7309	1
Swedish (models)	45R9816	1
Danish (models)	45R9817	1
Dutch (models)	45R9818	1
Traditional Chinese (models)	46R7310	1
Hong Kong (models)	46R7311	1
Norwegian (models)	46R7312	1
Russian (models)	45R9822	1
Russian (models)	46R7313	1
Turkish (models)	45R9823	1
Hungarian (models)	45R9824	1
Greek (models)	45R9825	1
Taiwan (models)	45R9827	1
HongKong (models)	45R9828	1
Korea (models)	45R9829	1
Russian English (models)	46R7314	1
Portuguese (models)	45R9831	1
Arabic Localized (models)	45R9832	1

9357 Vista Business 64 SP1 Recovery DVDs	FRU#	CRU
Hebrew (models)	45R9833	1
Slovakian (models)	45R9834	1

9357 Vista Ultimate 32 SP1 Recovery DVDs	FRU#	CRU
English (models)	46R7329	1
Japanese (models)	46R7330	1
Simplified Chinese (models)	46R7331	1
French (models)	46R7332	1
German (models)	46R7333	1
Spanish (models)	46R7334	1
Italian (models)	46R7335	1
Brazilian Portuguese (models)	46R7336	1
Danish (models)	46R7337	1
Swedish (models)	45R9874	1
Finland (models)	45R9875	1
Dutch (models)	45R9876	1
Traditional Chinese (models)	46R7338	1
Hong Kong (models)	46R7339	1
Norwegian (models)	46R7340	1
Korean (models)	45R9880	1
Slovenian (models)	45R9881	1
Greek (models)	45R9882	1
Russian (models)	46R7341	1
Portuguese (models)	45R9884	1
Turkish (models)	45R9885	1
Czech (models)	45R9886	1
Polish (models)	45R9887	1
Russian English (models)	46R5089	1
Arabic Localized (models)	46R7342	1
Hebrew (models)	45R9890	1
Hungarian (models)	45R9891	1
Slovakian (models)	45R9892	1

9357 Vista Starter 32 Recovery DVDs	FRU#	CRU
English (models)	46R5059	1

Machine Type 9358



Item #	9358 FRUs	FRU#	CRU
1	Heat Sink/RM Kit Intel (all models)	41R6022	N
1	Heat Sink/RM Kit Intel (all models)	41N8261	2
2	Microprocessor, Celeron 420 CONROE-L 800/1600MHZ-512K,LGA,EM64T (models)	43C3835	N
2	Microprocessor, Celeron 430 CONROE-L 800/1800MHZ-512K,LGA,EM64T (models)	43C1964	N
2	Microprocessor, Celeron 440 CONROE-L 800/2000MHZ-512K,LGA,EM64T (models)	43C1965	N
2	Microprocessor, Pentium Dual-core E2140 CONROE-L 800/1600MHZ-1M, LGA, EM64T (models)	43C1967	N
2	Microprocessor, Pentium Dual-core E2160 CONROE-L 800/1800MHZ-1M, LGA, EM64T (models)	43C1968	N
2	Microprocessor, Core 2 Duo E4400 L2 CONROE 800/2000MHZ-2M, LGA, EM64T (models)	43C2056	N
2	Microprocessor, Core 2 Duo E6400 B2 CONROE 1066/2130MHZ-2M, LGA, EM64T L2 Value (models)	41X2496	N
2	Microprocessor, Pentium Dual-core E2200 CONROE-L 800/2200MHZ-1M, LGA, EM64T - NPI (models)	45C5349	N
2	Microprocessor, Pentium Dual-core E2180 CONROE-L 800/2000MHZ-1M, LGA, EM64T - NPI (models)	45C1773	N
2	Microprocessor, Pentium Dual-core E2220 CONROE-L 800/2400MHZ-1M, LGA, EM64T - NPI (models)	45C1774	N
2	Microprocessor, Core 2 Duo E4600 M0 CONROE 800/2400MHZ-2M, LGA, EM64T - NPI (models)	45C5282	N
2	Microprocessor, Core 2 Duo E4500 M0 CONROE 800/2200MHZ-2M, LGA, EM64T (models)	43C6305	N
2	Microprocessor, Core 2 Duo E6850 G0 CONROE 1333/3000MHZ-4M, LGA, EM64T (models)	43C1694	N

Item #	9358 FRUs	FRU#	CRU
2	Microprocessor, Core 2 Duo E6750 G0 CONROE 1333/2660MHZ-4M, LGA, EM64T (models)	43C1693	N
2	Microprocessor, Core 2 Duo E6550 G0 CONROE 1333/2330MHZ-4M, LGA, EM64T (models)	43C3833	N
2	Microprocessor, Core 2 Quad G-0 Q6700 KENTSFIELD 1066/2660MHZ-8M (models)	43C6309	N
2	Microprocessor, Core 2 Quad G-0 Q6600 KENTSFIELD 1066/2400MHZ-8M (models)	43C1695	N
2	Microprocessor, Core 2 Duo E8500 WOLFDALÉ 1333/3160MHZ-6M (models)	45C7735	N
2	Microprocessor, Core 2 Duo E8400 WOLFDALÉ 1333/3000MHZ-6M (models)	45C7736	N
2	Microprocessor, Core 2 Duo E8200 WOLFDALÉ 1333/2660MHZ-6M (models)	45C7738	N
2	Microprocessor, Core 2 Duo E8190 WOLFDALÉ 1333/2660MHZ-6M - NON VT/Vpro (models)	45R2568	N
2	Microprocessor, Core 2 Quad Q9550 C-1 YORKFIELD 2.83GHz 1333MHZ FSB 12M L2 (models)	45C7739	N
2	Microprocessor, Core 2 Quad Q9450 C-1 YORKFIELD 2.66GHz 1333MHZ FSB 12M L2 (models)	45C7740	N
2	Microprocessor, Core 2 Quad Q9300 M-1 YORKFIELD 2.5GHz 1333MHZ FSB 6M L2 (models)	45C7741	N
2	Microprocessor, Core 2 Duo E8300 C-0 WOLFDALÉ 2.83GHz 1333MHZ FSB 6M L2 (models)	45C7737	N
2	Microprocessor, Core 2 Duo E7300 M-0 2.66GHz 1066MHz FSB 3M L2 (models)	46R1622	N
2	Microprocessor, Core 2 Duo E7200 M-0 2.53GHz 1066MHz FSB 3M L2 (models 91M 91A 91Q 91C 91B 91H 91V 91K 91R)	45R8337	N
2	Microprocessor, Core 2 Duo E4700 G-0 2.6GHz 800MHz FSB 2M L2 (models)	45R5786	N
2	Microprocessor, Celeron Dual Core E1400 M-0 2.0GHz 800MHz FSB 512K L2 (models)	45R8339	N
2	Microprocessor, Celeron Dual Core E1200 M-0 1.6GHz 800MHz FSB 512K L2, LGA, EM64T - NPI (models)	45R8341	N
2	Microprocessor, Core 2 Duo E8600 E-0 WOLFDALÉ 3.33GHz 1333MHZ FSB 6M L2 (models)	46R8640	N
3	DVD-ROM Drive - 16x/48x - SATA Vista & non-Vista (models 91M 91A 91Q 91C 91B 91H 91V 91K 91R)	41N3325	2
3	DVD-ROM/CD-RW Combo Drive - 48x/32x/48x/16x - SATA Vista & non-Vista (models)	42Y9353	2
3	DVD-RW/CD-RW Rambo 8 - SATA Vista & non-Vista (models)	43C1042	2
4	Front Power/LED PC, bracket, and cable (all models)	41N8213	2
5	Hard disk drive, SATA 80GB 7200RPM/3Gb/8MB (models)	40Y9034	2
5	Hard disk drive, SATA 160GB 7200RPM/3Gb/8MB (models 91M 91A 91Q 91C 91B 91H 91V 91K 91R)	40Y9035	2
5	Hard disk drive, SATA 320GB 7200rpm SATA/8MB (models)	87H4891	2
6	Diskette drive, 3,5", 1.44MB, 2-mode, (w/bezel) (models)	40Y9105	2
6	Diskette drive, 3,5", 1.44MB, 2-mode, (w/bezel) (models)	40Y9107	2
7	Front USB/Audio with bracket (all models)	41N8212	2
8	Memory module, 512 MB PC-5300 (667MHz) DDR2 SDRAM (models)	41X4255	2

Item #	9358 FRUs	FRU#	CRU
8	Memory module, 1 GB PC-5300 (667MHz) DDR2 SDRAM (models 91M 91A 91Q 91C 91B 91H 91V 91K 91R)	41X4256	2
8	Memory module, 2 GB PC-5300 (667MHz) DDR2 SDRAM (models)	41X4257	2
8	Memory module, 512 MB PC2-6400 (800MHz) DDR2 SDRAM (models)	41X1079	2
8	Memory module, 1GB PC-6400 (800MHz) DDR2 SDRAM (models)	41X1080	2
8	Memory module, 2GB PC-6400 (800MHz) DDR2 SDRAM (models)	41X1081	2
9	System board, Intel G31 mATX GA Level (models 91M 91A 91Q 91C 91B 91H 91V 91K 91R)	53Y3282	N
10	Power supply, 220 Watt Power Supply - Robust; for all countries except for JP (ROCKYS) (models 91M 91A 91Q 91C 91B 91H 91V 91K 91R)	41A9689	N
10	Power supply, 220 Watt Power Supply - Japan; only for JP (ROCKYS) (models)	41A9697	N
10	Power supply, 220W 80% Power supply-for all countries (ROCKYS) (models 91M 91A 91Q 91C 91B 91H 91V 91K 91R)	41A9670	N
10	Power supply, 280W TFX 280W PS ,Active PFC, for RockyS-for all countries (ROCKYS) (models 91M 91A 91Q 91C 91B 91H 91V 91K 91R)	41A9705	N

The FRUs listed in the following tables are not illustrated.

9358 FRUs	FRU#	CRU
Planer shield, Atx 946, G31 with usb number (all models)	41R6384	N
Cabel, SATA 250mm (RoHS) (all models)	43N9012	2
Shield, EMC , Blank 5.25 (all models)	41N8271	2
Shield, EMC , Blank diskette drive (all models)	41N8273	2
Cover (all models)	41N8204	2
Mechanical shell kit (all models)	41R6387	N
Bezel kit, without IBM logo (all models)	41R6238	2
Miscellaneous hardware kit (all models)	41N8209	2
Hard disk drive bracket assembly (plastic and grommets) (all models)	41N8210	2
Hard disk drive fan and bracket asm (all models)	41R6325	2
Speaker cable assembly, 600 mm cable length (all models)	41N8217	2
Fan duct assembly (all models)	41R4808	2
Rear USB 2Ports II LP (R), low profile I/O, 200mm, Rohs (all models)	42Y8006	2
Retention module assembly, Intel (all models)	41A7139	N
Intrusion switch assembly (all models)	41R6208	2
Temp Sense Cable (165 mm) (all models)	43N9079	2
Intel 65W/95W Heatsink Kit (ROCKYS) (all models)	41R6429	2
Foot stand (all models)	41R4813	1
Cable, diskette drive (all models)	41A7147	2
Cable, serial ATA, 250 mm (all models)	41A7145	2
Planer shield, Atx 946, with usb number (all modes)	41R6378	N
Rear Com2 cable , Rohs (all models)	41R6198	2

9358 FRUs	FRU#	CRU
Rear Com2 cable II LP(R), low profile I/O, 250mm, Rohs (all models)	42Y8008	2
Fru,Tamdhu chassis primary HDD cage (all models)	45K6272	1
Fru,Tamdhu ruber foot(For acoustic improvement) (all models)	45K6278	2
BATTERY 3V-LITHIUM (TOWER,ROCKYS,LX-607) (models 91M 91A 91Q 91C 91B 91H 91V 91K 91R)	45C1566	N

9358 Keyboard (Lenovo USB Preferred -- without hub)	FRU#	CRU Tier
US English (models)	41A5039	1
Arabic (models)	41A5040	1
Arabic/French (models)	41A5041	1
Belgian/French (models)	41A5042	1
Belgian/English (models)	41A5043	1
Brazilian Portuguese (models)	41A5044	1
Bulgarian (models)	41A5045	1
Chinese/US (models)	41A5046	1
Czech (models)	41A5047	1
Danish (models)	41A5048	1
Dutch (models)	41A5049	1
French (models)	41A5050	1
French Canadian (models)	41A5051	1
French Canadian (models)	41A5052	1
German (models)	41A5053	1
Greek (models)	41A5054	1
Greek/US (models)	41A5080	1
Hebrew (models)	41A5055	1
Hungarian (models)	41A5056	1
Iceland (models)	41A5057	1
Italian (models)	41A5058	1
Japanese (models)	41A5059	1
Korean (models)	41A5060	1
LA Spanish (models)	41A5061	1
Norwegian (models)	41A5062	1
Polish (models)	41A5063	1
Portuguese (models)	41A5064	1
Romanian (models)	41A5065	1
Russian/Cyrillic (models)	41A5066	1
Serbian/Cyrillic (models)	41A5067	1
Slovak (models)	41A5068	1
Spanish (models)	41A5069	1

9358 Keyboard (Lenovo USB Preferred -- without hub)	FRU#	CRU Tier
Swedish/Finnish (models)	41A5070	1
Swiss (models)	41A5071	1
Thailand (models)	41A5072	1
Turkish (models)	41A5073	1
Turkish (models)	41A5074	1
UK English (models)	41A5075	1
US Euro (models)	41A5076	1
Slovenian (models)	41A5077	1

9358 Keyboard (Lenovo USB Preferred -- without hub)	FRU#	CRU Tier
US English (models 91M 91A 91Q 91H 91R)	41A5289	1
Arabic (models)	41A5290	1
Arabic/French (models)	41A5291	1
Belgian/French (models)	41A5292	1
Belgian/UK (models)	41A5293	1
Brazilian Portuguese (models)	41A5294	1
Bulgarian (models)	41A5295	1
Chinese/US (models 91B 91V)	41A5296	1
Czech(ABB) (models)	41A5297	1
Danish (models)	41A5298	1
Dutch (models)	41A5299	1
French (models)	41A5300	1
French Canadian (models)	41A5301	1
French Canadian (models)	41A5302	1
German (models)	41A5303	1
Greek (models)	41A5304	1
Greek/US (models)	41A5305	1
Hebrew (models)	41A5306	1
Hungarian (models)	41A5307	1
Iceland (models)	41A5308	1
Italian (models)	41A5309	1
Japanese (models)	41A5310	1
Korean (models 91K)	41A5311	1
LA Spanish (models)	41A5312	1
Norwegian (models)	41A5313	1
Polish (models)	41A5314	1
Portuguese (models)	41A5315	1
Romanian (models)	41A5317	1

9358 Keyboard (Lenovo USB Preferred -- without hub)	FRU#	CRU Tier
Russian/Cyrillic (models)	41A5318	1
Serbian/Cyrillic (models)	41A5319	1
Slovak (models)	41A5320	1
Spanish (models)	41A5321	1
Swedish/Finnish (models)	41A5322	1
Swiss French/German (models)	41A5323	1
Thailand (models)	41A5324	1
Turkish (models)	41A5325	1
Turkish (models)	41A5326	1
UK English (models)	41A5327	1
US Euro (models)	41A5328	1
Slovenian (models)	41A5329	1

9358 Keyboard (Lenovo Enhanced Perf, USB Preferred -- with hub)	FRU#	CRU Tier
US English (models)	41A4961	1
Arabic (models)	41A4962	1
Arabic/French (models)	41A4963	1
Belgian/French (models)	41A4964	1
Belgian/UK (models)	41A4965	1
Brazilian Portuguese (models)	41A4966	1
Bulgarian (models)	41A4967	1
Chinese/US (models)	41A4968	1
Czech(ABB) (models)	41A4969	1
Danish (models)	41A4970	1
Dutch (models)	41A4971	1
French (models)	41A4972	1
French Canadian (models)	41A4973	1
French Canadian (models)	41A4974	1
German (models)	41A4975	1
Greek (models)	41A4976	1
Greek/US (models)	41A5078	1
Hebrew (models)	41A4977	1
Hungarian (models)	41A4978	1
Iceland (models)	41A4979	1
Italian (models)	41A4980	1
Japanese (models)	41A4981	1
Korean (models)	41A4982	1
LA Spanish (models)	41A4983	1

9358 Keyboard (Lenovo Enhanced Perf, USB Preferred -- with hub)	FRU#	CRU Tier
Norwegian (models)	41A4984	1
Polish (models)	41A4985	1
Portuguese (models)	41A4986	1
Romanian (models)	41A4987	1
Russian/Cyrillic (models)	41A4988	1
Serbian/Cyrillic (models)	41A4989	1
Slovak (models)	41A4990	1
Spanish (models)	41A4991	1
Swedish/Finnish (models)	41A4992	1
Swiss French/German (models)	41A4993	1
Thailand (models)	41A4994	1
Turkish (models)	41A4995	1
Turkish (models)	41A4996	1
UK English (models)	41A4997	1
US Euro (models)	41A4998	1
Slovenian (models)	41A4999	1

9358 Keyboard (Lenovo Fingerprint Reader USB)	FRU#	CRU Tier
US English (models)	41A5248	1
Arabic (models)	41A5249	1
Arabic/French (models)	41A5250	1
Belgian/French (models)	41A5251	1
Belgian/UK (models)	41A5252	1
Brazilian Portuguese (models)	41A5253	1
Bulgarian (models)	41A5254	1
Chinese/US (models)	41A5255	1
Czech(ABB) (models)	41A5256	1
Danish (models)	41A5257	1
Dutch (models)	41A5258	1
French (models)	41A5259	1
French Canadian (models)	41A5260	1
French Canadian (models)	41A5261	1
German (models)	41A5262	1
Greek (models)	41A5263	1
Greek/US (models)	41A5264	1
Hebrew (models)	41A5265	1
Hungarian (models)	41A5266	1
Iceland (models)	41A5267	1

9358 Keyboard (Lenovo Fingerprint Reader USB)	FRU#	CRU Tier
Italian (models)	41A5268	1
Japanese (models)	41A5269	1
Korean (models)	41A5270	1
LA Spanish (models)	41A5271	1
Norwegian (models)	41A5272	1
Polish (models)	41A5273	1
Portuguese (models)	41A5274	1
Romanian (models)	41A5276	1
Russian/Cyrillic (models)	41A5277	1
Serbian/Cyrillic (models)	41A5278	1
Slovak (models)	41A5279	1
Spanish (models)	41A5280	1
Swedish/Finnish (models)	41A5281	1
Swiss French/German (models)	41A5282	1
Thailand (models)	41A5283	1
Turkish (models)	41A5284	1
Turkish (models)	41A5285	1
UK English (models)	41A5286	1
US Euro (models)	41A5287	1
Slovenian (models)	41A5288	1

9358 mice	FRU#	CRU
Optical Wheel Mouse (400DPI, USB) (models 91M 91A 91Q 91C 91B 91H 91V 91K 91R)	41U3013	1
Optical Wheel Mouse (400DPI, USB) (models 91M 91A 91Q 91C 91B 91H 91V 91K 91R)	41U3030	1
PS/2 2 Button Ball Mouse (models)	41R0018	1

9358 Adapters and miscellaneous FRUs	FRU#	CRU
Internal USB Memory Card Reader floppy bay (models)	41R3378	2
Internal USB 20 in 1 Memory CardReader floppy bay (models)	45R8139	2
USB Memory Key (models)	43R2296	2
Internal USB Memory Card Reader floppy bay (models)	41R3376	2
IEEE 1394 Firewire Adapter SFF (models)	41D2781	2
ATI HD 2400PRO 128MB 64BIT DMS59 ATX (models)	46R4159	2
ATI HD 2400XT 256MB 64BIT DMS59 ATX (models)	46R4160	2
Soft Modem V.90/V.44 SFF (models)	46R4220	2
USB Memory Key - 1G RoW (models)	41U4978	1
ATI HD 2400PRO 128MB 64BIT DMS59 LP (models)	43C0259	2
ATI HD 2400XT 256MB 64BIT DMS59 LP (models)	43C0260	2

9358 Adapters and miscellaneous FRUs	FRU#	CRU
ADD2 DVI Adapter,LP (HDCP) (models)	43C0258	2
DVI-I connection Adapter Full Height (models)	39J9334	2
DVI-I connection Adapter Low Profile (models)	39J9334	2
Speaker Power brick - US, Canada, LA low voltage,ASEAN (models 91A)	89P8571	1
Speaker Power brick - LA high voltage (non-APU) (models)	89P8575	1
Speaker Power brick - China, Thailand (models 91C)	89P8581	1
Speaker Power brick - Japan (models)	89P8577	1
Speaker Power brick - Brazil (models)	89P8583	1
Speaker Power brick - Argentina (models)	41A4901	1
Speaker Power brick - ANZ (models 91M)	89P8579	1
Speaker Brick - Korea (models 91K 91R)	41A4903	1
Speaker Brick - Hong Kong, EMEA (models 91B 91H)	89P8573	1
Speaker Brick - Taiwan (models 91V)	41A4905	1
Speaker Power brick - India, South Africa (models 91Q)	89P8585	1
Dongle DMS Dule DMS-59 to dual VGA Cable (models)	42Y8181	2
Dongle DMS Dule DMS-59 to dual DVI Cable (models)	41X6398	2

9358 Line Cords	FRU#	CRU
Line cord - US (models 91A)	41R3184	1
Line cord - US (models 91A)	41R3185	1
Line cord - China (models 91C)	41R3256	1
Line cord - China (models 91C)	41R3257	1
Line cord - Brazil (models)	41R3270	1
Line cord - Brazil (models)	41R3271	1
Line cord - LA High Volt APU (models)	41R3176	1
Line Cord - LA High Volt APU (models)	41R3177	1
Line Cord - Korea (models 91K 91R)	41R3260	1
Line Cord - Korea (models 91K 91R)	41R3261	1
Line Cord - UK, Ireland, Singapore, Malaysia, Brunei (models AAG)	41R3224	1
Line Cord - UK, Ireland, Singapore, Malaysia, Brunei (models AAG)	41R3225	1
Line Cord - Taiwan (models 91V)	41R3278	1
Line Cord - Taiwan (models 91V)	41R3279	1
Line Cord - Italy (models)	41R3232	1
Line Cord - Italy (models)	41R3233	1
Line Cord - Indonesia, Laos, Cambodia, and Vietnam (models 91A)	41R3208	1
Line Cord - Indonesia, Laos, Cambodia, and Vietnam (models 91A)	41R3209	1
Line Cord - Denmark (models)	41R3212	1
Line Cord - Denmark (models)	41R3213	1
Line Cord - Switzerland (models)	41R3228	1

9358 Line Cords	FRU#	CRU
Line Cord - Switzerland (models)	41R3229	1
Line Cord - Israel (models)	41R3236	1
Line Cord - Israel (models)	41R3237	1
Line Cord - South Africa (models 91M 91A)	41R3220	1
Line Cord - South Africa (models 91M 91A)	41R3221	1
Line Cord - India (models 91Q)	41R3341	1
Line Cord - India (models 91Q)	41R3175	1
Line Cord - Japan (models)	41R3248	1
Line Cord - Japan (models)	41R3249	1
Line Cord - ANZ (models 91M)	41R3196	1
Line Cord - ANZ (models 91M)	41R3197	1
Line Cord - Hong Kong (models 91B 91H)	41R3224	1
Line Cord - Hong Kong (models 91B 91H)	41R3225	1

9358 Windows XP Home Recovery CDs	FRU#	CRU
US/UK/AP/TH (models)	TBD	1
FR/CF (models)	TBD	1
GR (models)	TBD	1
IT (models)	TBD	1
BR (models)	TBD	1
SP/LA (models)	TBD	1
DK (models)	TBD	1
NL (models)	TBD	1
AE (models)	TBD	1
SV (models)	TBD	1
HE (models)	TBD	1
FI (models)	TBD	1
NO (models)	TBD	1
PL (models)	TBD	1
PO (models)	TBD	1
RU (models)	TBD	1
RE (models)	TBD	1
HU (models)	TBD	1
CZ (models)	TBD	1
TR (models)	TBD	1
GK (models)	TBD	1
Japanese (models)	TBD	1
Simplified Chinese (models)	TBD	1
Taiwan-TC (models)	TBD	1

9358 Windows XP Home Recovery CDs	FRU#	CRU
Hong Kong-TC (models)	TBD	1
Korea (models)	TBD	1

9358 Windows XP Pro Recovery CDs	FRU#	CRU
US/UK/AP/TH (models)	45R0756	1
FR/CF (models)	45R0759	1
GR (models)	45R0760	1
IT (models)	45R0762	1
BR (models)	45R0763	1
SP/LA (models)	45R0761	1
DK (models)	45R0764	1
NL (models)	45R0767	1
AE (models)	45R2342	1
SV (Swedish) (models)	45R0765	1
HE (models)	45R2334	1
FI (models)	45R0766	1
NO (models)	45R0770	1
PL (models)	45R0777	1
PO (models)	45R0774	1
RU (models)	45R0773	1
RE (models)	45R2318	1
HU (models)	45R0780	1
CZ (models)	45R0776	1
TR (models)	45R0775	1
GK (models)	45R0772	1
SL (models)	45R2326	1
Japanese (models)	45R0757	1
Simplified Chinese (models)	45R0758	1
Taiwan-TC (models)	45R0768	1
Hong Kong-TC (models)	45R0769	1
Korean (models)	45R0771	1
Multilingual 1 XP-Pro -- EN, NL, FR, GR, IT (models)	45R8246	1
Multilingual 2 XP-Pro -- EN, DK, FI, NO, SV (models)	45R8247	1

9358 Vista Home Basic 32 SP1 Recovery DVDs	FRU#	CRU
English (models)	46R7273	1
Japanese (models)	46R7274	1
Simplified Chinese (models)	46R7275	1
French (models)	46R7276	1

9358 Vista Home Basic 32 SP1 Recovery DVDs	FRU#	CRU
German (models)	46R7277	1
Spanish (models)	46R7278	1
Italian (models)	46R7279	1
Brazilian Portuguese (models)	46R7280	1
Danish (models)	46R7281	1
Swedish (models)	45R9758	1
Finland (models)	45R9759	1
Dutch (models)	45R9760	1
Traditional Chinese (models)	46R7282	1
Hong Kong (models)	46R7283	1
Norwegian (models)	46R7284	1
Korean (models)	45R9764	1
Slovenian (models)	45R9765	1
Greek (models)	45R9766	1
Russian (models)	46R7285	1
Portuguese (models)	45R9768	1
Turkish (models)	45R9769	1
Czech (models)	45R9770	1
Polish (models)	45R9771	1
Russian English (models)	45R9772	1
Arabic Localized (models)	45R9773	1
Hebrew (models)	45R9774	1
Hungarian (models)	45R9775	1
Slovakian (models)	45R9776	1

9358 Vista Business 32 SP1 Recovery DVDs	FRU#	CRU
English (models)	46R7287	1
Japanese (models)	46R7288	1
Simplified Chinese (models)	46R7289	1
French (models)	46R7290	1
German (models)	46R7291	1
Spanish (models)	46R7292	1
Italian (models)	46R7293	1
Brazilian Portuguese (models)	46R7294	1
Danish (models)	46R7295	1
Swedish (models)	45R9786	1
Finland (models)	45R9787	1
Dutch (models)	45R9788	1
Traditional Chinese (models)	46R7296	1

9358 Vista Business 32 SP1 Recovery DVDs	FRU#	CRU
Hong Kong (models)	46R7297	1
Norwegian (models)	46R7298	1
Korean (models)	45R9792	1
Slovenian (models)	45R9793	1
Greek (models)	45R9794	1
Russian (models)	46R7299	1
Portuguese (models)	45R9796	1
Turkish (models)	45R9797	1
Czech (models)	45R9798	1
Polish (models)	45R9799	1
Russian English (models)	46R7300	1
Arabic Localized (models)	45R9801	1
Hebrew (models)	45R9802	1
Romanian (models)	45R9803	1
Hungarian (models)	45R9804	1
Slovakian (models)	45R9805	1
Serbian-Latin (models)	45R9806	1

9358 Vista VHP SP1 Recovery DVDs	FRU#	CRU
English (models)	46R7315	1
Japanese (models)	46R7316	1
Simplified Chinese (models)	46R7317	1
French (models)	46R7318	1
German (models)	46R7319	1
Spanish (models)	46R7320	1
Italian (models)	46R7321	1
Brazilian Portuguese (models)	46R7322	1
Danish (models)	46R7323	1
Swedish (models)	45R9844	1
Finland (models)	45R9845	1
Dutch (models)	45R9846	1
Traditional Chinese (models)	46R7324	1
Hong Kong (models)	46R7325	1
Norwegian (models)	46R7326	1
Korean (models)	45R9850	1
Slovenian (models)	45R9851	1
Greek (models)	45R9852	1
Russian (models)	46R7327	1
Portuguese (models)	45R9854	1

9358 Vista VHP SP1 Recovery DVDs	FRU#	CRU
Turkish (models)	45R9855	1
Czech (models)	45R9856	1
Polish (models)	45R9857	1
Russian English (models)	46R7328	1
Arabic Localized (models)	45R9859	1
Hebrew (models)	45R9860	1
Romanian (models)	45R9861	1
Hungarian (models)	45R9862	1
Slovakian (models)	45R9863	1
Serbian-Latin (models)	45R9864	1

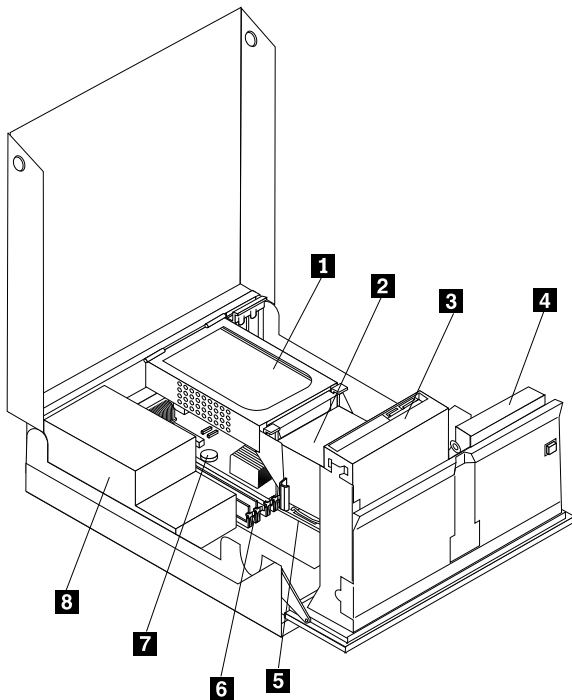
9358 Vista Business 64 SP1 Recovery DVDs	FRU#	CRU
English (models)	46R7301	1
Russian English (models)	46R7302	1
French (models)	46R7303	1
German (models)	46R7304	1
Spanish (models)	46R7305	1
Brazilian Portuguese (models)	46R7306	1
Italian (models)	46R7307	1
Japanese (models)	46R7308	1
Norwegian (models)	46R7309	1
Swedish (models)	45R9816	1
Danish (models)	45R9817	1
Dutch (models)	45R9818	1
Czech (models)	46R7310	1
Finnish (models)	46R7311	1
Polish (models)	46R7312	1
Russian (models)	45R9822	1
Turkish (models)	45R9823	1
Hungarian (models)	45R9824	1
Greek (models)	45R9825	1
Simplified Chinese (models)	46R7313	1
Taiwan (models)	45R9827	1
HongKong (models)	45R9828	1
Korea (models)	45R9829	1
Slovenian (models)	46R7314	1
Portuguese (models)	45R9831	1
Arabic Localized (models)	45R9832	1

9358 Vista Business 64 SP1 Recovery DVDs	FRU#	CRU
Hebrew (models)	45R9833	1
Slovakian (models)	45R9834	1

9358 Vista Ultimate 32 SP1 Recovery DVDs	FRU#	CRU
English (models)	46R7329	1
Japanese (models)	46R7330	1
Simplified Chinese (models)	46R7331	1
French (models)	46R7332	1
German (models)	46R7333	1
Spanish (models)	46R7334	1
Italian (models)	46R7335	1
Brazilian Portuguese (models)	46R7336	1
Danish (models)	46R7337	1
Swedish (models)	45R9874	1
Finland (models)	45R9875	1
Dutch (models)	45R9876	1
Traditional Chinese (models)	46R7338	1
Hong Kong (models)	46R7339	1
Norwegian (models)	46R7340	1
Korean (models)	45R9880	1
Slovenian (models)	45R9881	1
Greek (models)	45R9882	1
Russian (models)	46R7341	1
Portuguese (models)	45R9884	1
Turkish (models)	45R9885	1
Czech (models)	45R9886	1
Polish (models)	45R9887	1
Russian English (models)	46R5089	1
Arabic Localized (models)	46R7342	1
Hebrew (models)	45R9890	1
Hungarian (models)	45R9891	1
Slovakian (models)	45R9892	1

9358 Vista Starter 32 Recovery DVDs	FRU#	CRU
English (models)	46R5059	1

Machine Type 9359



Item #	9359 FRUs	FRU#	CRU
1	Hard disk drive,SATA 80GB 7200RPM/3Gb/8MB (models)	40Y9034	2
1	Hard disk drive,SATA 160GB 7200RPM/3Gb/8MB (models 91M 91A 91Q 91C 91B 91H 91V 91K 91R)	40Y9035	2
1	Hard disk drive,SATA 320GB 7200rpm SATA/8MB (models)	87H4891	2
2	Thermal kit (all models)	41R6039	2
3	Optical drive,DVD-ROM Drive - 16x/48x - SATA Vista & non-Vista (models 91M 91A 91Q 91C 91B 91H 91V 91K 91R)	41N3325	2
3	Optical drive,DVD-ROM/CD-RW Combo Drive - 48x/32x/48x/16x - SATA Vista & non-Vista (models)	42Y9353	2
3	Optical drive,DVD-RW/CD-RW Rambo 8 - SATA Vista & non-Vista (models)	43C1042	2
5	Microprocessor, Celeron 420 CONROE-L 800/1600MHZ-512K,LGA,EM64T (models)	43C3835	N
5	Microprocessor, Celeron 430 CONROE-L 800/1800MHZ-512K,LGA,EM64T (models)	43C1964	N
5	Microprocessor, Celeron 440 CONROE-L 800/2000MHZ-512K,LGA,EM64T (models)	43C1965	N
5	Microprocessor, Pentium Dual-core E2140 CONROE-L 800/1600MHZ-1M, LGA, EM64T (models)	43C1967	N
5	Microprocessor, Pentium Dual-core E2160 CONROE-L 800/1800MHZ-1M, LGA, EM64T (models)	43C1968	N
5	Microprocessor, Core 2 Duo E4400 L2 CONROE 800/2000MHZ-2M, LGA, EM64T (models)	43C2056	N
5	Microprocessor,Core 2 Duo E6400 B2 CONROE 1066/2130MHZ-2M, LGA, EM64T L2 Value (models)	41X2496	N

Item #	9359 FRUs	FRU#	CRU
2	Microprocessor, Pentium Dual-core E2200 CONROE-L 800/2200MHZ-1M, LGA, EM64T - NPI (models)	45C5349	N
2	Microprocessor, Pentium Dual-core E2180 CONROE-L 800/2000MHZ-1M, LGA, EM64T - NPI (models)	45C1773	N
2	Microprocessor, Pentium Dual-core E2220 CONROE-L 800/2400MHZ-1M, LGA, EM64T - NPI (models)	45C1774	N
2	Microprocessor, Core 2 Duo E4600 M0 CONROE 800/2400MHZ-2M, LGA, EM64T - NPI (models)	45C5282	N
2	Microprocessor, Core 2 Duo E4500 M0 CONROE 800/2200MHZ-2M, LGA, EM64T (models)	43C6305	N
2	Microprocessor, Core 2 Duo E6850 G0 CONROE 1333/3000MHZ-4M, LGA, EM64T (models)	43C1694	N
2	Microprocessor, Core 2 Duo E6750 G0 CONROE 1333/2660MHZ-4M, LGA, EM64T (models)	43C1693	N
2	Microprocessor, Core 2 Duo E6550 G0 CONROE 1333/2330MHZ-4M, LGA, EM64T (models)	43C3833	N
2	Microprocessor, Core 2 Quad G-0 Q6700 KENTSFIELD 1066/2660MHZ-8M (models)	43C6309	N
2	Microprocessor, Core 2 Quad G-0 Q6600 KENTSFIELD 1066/2400MHZ-8M (models)	43C1695	N
2	Microprocessor, Core 2 Duo E8500 WOLFDAL E 1333/3160MHZ-6M (models)	45C7735	N
2	Microprocessor, Core 2 Duo E8400 WOLFDAL E 1333/3000MHZ-6M (models)	45C7736	N
2	Microprocessor, Core 2 Duo E8200 WOLFDAL E 1333/2660MHZ-6M (models)	45C7738	N
2	Microprocessor, Core 2 Duo E8190 WOLFDAL E 1333/2660MHZ-6M - NON VT/Vpro (models)	45R2568	N
2	Microprocessor, Core 2 Quad Q9550 C-1 YORKFIELD 2.83GHz 1333MHZ FSB 12M L2 (models)	45C7739	N
2	Microprocessor, Core 2 Quad Q9450 C-1 YORKFIELD 2.66GHz 1333MHZ FSB 12M L2 (models)	45C7740	N
2	Microprocessor, Core 2 Quad Q9300 M-1 YORKFIELD 2.5GHz 1333MHZ FSB 6M L2 (models)	45C7741	N
2	Microprocessor, Core 2 Duo E8300 C-0 WOLFDAL E 2.83GHz 1333MHZ FSB 6M L2 (models)	45C7737	N
2	Microprocessor, Core 2 Duo E7300 M-0 2.66GHz 1066MHz FSB 3M L2 (models)	46R1622	N
2	Microprocessor, Core 2 Duo E7200 M-0 2.53GHz 1066MHz FSB 3M L2 (models 91M 91A 91Q 91C 91B 91H 91V 91K 91R)	45R8337	N
2	Microprocessor, Core 2 Duo E4700 G-0 2.6GHz 800MHz FSB 2M L2 (models)	45R5786	N
2	Microprocessor, Celeron Dual Core E1400 M-0 2.0GHz 800MHz FSB 512K L2 (models)	45R8339	N
2	Microprocessor, Celeron Dual Core E1200 M-0 1.6GHz 800MHz FSB 512K L2, LGA, EM64T - NPI (models)	45R8341	N
2	Microprocessor, Core 2 Duo E8600 E-0 WOLFDAL E 3.33GHz 1333MHZ FSB 6M L2 (models)	46R8640	N
2	Microprocessor, Pentium Dual Core E5200 M-0 WOLFDAL E 2.5GHz 800MHz FSB 2M L2 (models)	46R9512	N
6	Memory module, 512 MB PC-5300 (667MHz) DDR2 SDRAM (models)	41X4255	2

Item #	9359 FRUs	FRU#	CRU
6	Memory module,1 GB PC-5300 (667MHz) DDR2 SDRAM (models AAU AAF AAS AAP AAL AAD AAY AAG AAM AAA AAQ AAT AAC AAB AAH AAV AAK AAR AAE AAJ)	41X4256	2
6	Memory module,2 GB PC-5300 (667MHz) DDR2 SDRAM (models)	41X4257	2
6	Memory module,512 MB PC2-6400 (800MHz) DDR2 SDRAM (models)	41X1079	2
6	Memory module,1GB PC-6400 (800MHz) DDR2 SDRAM (models)	41X1080	2
6	Memory module,2GB PC-6400 (800MHz) DDR2 SDRAM (models)	41X1081	2
7	System board, Intel G31 nano-BTX GA Level (models 91M 91A 91Q 91C 91B 91H 91V 91K 91R)	53Y5125	N
8	Power supply, 280W Active PFC power supply for 10L---all countries (models AAU AAF AAS AAP AAL AAD AAY AAG AAM AAA AAQ AAT AAC AAB AAH AAV AAK AAR AAE AAJ)	41A9701	2
8	Power supply, 280W 80+ power supply for 10L---all countries (models AAU AAF AAS AAP AAL AAD AAY AAG AAM AAA AAQ AAT AAC AAB AAH AAV AAK AAR AAE AAJ)	41A9717	2
8	Power supply, 280W Active PFC power supply for 10L---all countries (LX-607) (models 91M 91A 91Q 91C 91B 91H 91V 91K 91R)	45J9418	2
8	Power supply, 280W 80+ power supply for 10L---all countries (LX-607) (models 91M 91A 91Q 91C 91B 91H 91V 91K 91R)	45J9427	2

The FRUs listed in the following tables are not illustrated.

9359 FRUs	FRU#	CRU
Power switch/LED cable assembly (all models)	41R3391	2
USB cable assembly (all models)	41R3392	2
SATA cable, 120mm (all models)	41R3328	2
SATA cable, 700mm (all models)	39K5026	2
Speaker/Cable assembly (all models)	39K5012	2
Temperature Sense cable (460 mm) (all models)	41R2509	2
System Fan (all models)	41R6042	2
System Fan assembly (all models)	41R6249	2
Floor Stand and Vertical Deflector (all models)	41R6251	1
Cpu Support Module (all models)	41R6252	N
HDD Tray assembly (all models)	41R6253	2
Internal Plastic (all models)	41R6254	2
Bezel, Plastic (all models)	41R6255	2
Front rotating cage assembly (all models)	41R6256	N
Top cover assembly (all models)	41R6257	2
L1-C2 intrusion switch (all models)	39K5022	2
Rell IO shield BTX atlantic (all models)	41R6381	N
C2 Intrusion Switch (all models)	39K5022	2
Intel 95W/65W heatsink Kit (all models)	41R6039	2
Chassis atlantic (all models)	41R6275	N

9359 FRUs	FRU#	CRU
10L FRONT I/O CABLE (models)	43N9015	2
Cabel-SATA 700mm (RoHS) (models)	43N9011	2
Universal Adapter Bracket 5.25 to 3.5 (models)	43N9361	2
ODD mounting kit (models)	43N9362	2
Cardreader Bezel Kit (models)	43N9363	2
FDD Retainer, 607AT, SFF (LX-607) (all models)	43N9681	2
Vertical Stand, Tampa/607CT (all models)	43N9644	N
HDD bracket ASM (all models)	43N9690	2
HDD bracket with cover b, for Toyota, Flex (all models)	43N9691	2
Fru,Tamdhu chassis primary HDD cage (all models)	45K6272	1
Fru,Tamdhu ruber foot(For acoustic improvement) (all models)	45K6278	2
BATTERY 3V-LITHIUM (TOWER,ROCKYS,LX-607) (models 91M 91A 91Q 91C 91B 91H 91V 91K 91R)	45C1566	N

9359 Keyboard (Lenovo USB Preferred -- without hub)	FRU#	CRU Tier
US English (models)	41A5039	1
Arabic (models)	41A5040	1
Arabic/French (models)	41A5041	1
Belgian/French (models)	41A5042	1
Belgian/English (models)	41A5043	1
Brazilian Portuguese (models)	41A5044	1
Bulgarian (models)	41A5045	1
Chinese/US (models)	41A5046	1
Czech (models)	41A5047	1
Danish (models)	41A5048	1
Dutch (models)	41A5049	1
French (models)	41A5050	1
French Canadian (models)	41A5051	1
French Canadian (models)	41A5052	1
German (models)	41A5053	1
Greek (models)	41A5054	1
Greek/US (models)	41A5080	1
Hebrew (models)	41A5055	1
Hungarian (models)	41A5056	1
Iceland (models)	41A5057	1
Italian (models)	41A5058	1
Japanese (models)	41A5059	1
Korean (models)	41A5060	1
LA Spanish (models)	41A5061	1

9359 Keyboard (Lenovo USB Preferred -- without hub)	FRU#	CRU Tier
Norwegian (models)	41A5062	1
Polish (models)	41A5063	1
Portuguese (models)	41A5064	1
Romanian (models)	41A5065	1
Russian/Cyrillic (models)	41A5066	1
Serbian/Cyrillic (models)	41A5067	1
Slovak (models)	41A5068	1
Spanish (models)	41A5069	1
Swedish/Finnish (models)	41A5070	1
Swiss (models)	41A5071	1
Thailand (models)	41A5072	1
Turkish (models)	41A5073	1
Turkish (models)	41A5074	1
UK English (models)	41A5075	1
US Euro (models)	41A5076	1
Slovenian (models)	41A5077	1

9359 Keyboard (Lenovo USB Preferred -- without hub)	FRU#	CRU Tier
US English (models 91M 91A 91Q 91H 91R)	41A5289	1
Arabic (models)	41A5290	1
Arabic/French (models)	41A5291	1
Belgian French (models)	41A5292	1
Belgium English (models)	41A5293	1
Brazilian Portuguese (models)	41A5294	1
Bulgarian (models)	41A5295	1
Chinese/US (models 91B 91V)	41A5296	1
Czech (ABB) (models)	41A5297	1
Danish (models)	41A5298	1
Dutch (models)	41A5299	1
French (models)	41A5300	1
French Canadian (models)	41A5301	1
French Canadian (models)	41A5302	1
German (models)	41A5303	1
Greek (models)	41A5304	1
Greek/US (models)	41A5305	1
Hebrew (models)	41A5306	1
Hungarian (models)	41A5307	1
Iceland (models)	41A5308	1

9359 Keyboard (Lenovo USB Preferred -- without hub)	FRU#	CRU Tier
Italian (models)	41A5309	1
Japanese (models)	41A5310	1
Korean (models 91K)	41A5311	1
LA Spanish (models)	41A5312	1
Norwegian (models)	41A5313	1
Polish (models)	41A5314	1
Portuguese (models)	41A5315	1
Romanian (models)	41A5317	1
Russian/Cyrillic (models)	41A5318	1
Serbian/Cyrillic (models)	41A5319	1
Slovak (models)	41A5320	1
Spanish (models)	41A5321	1
Swedish/Finnish (models)	41A5322	1
Swiss French/German (models)	41A5323	1
Thailand (models)	41A5324	1
Turkish (models)	41A5325	1
Turkish (models)	41A5326	1
UK English (models)	41A5327	1
US Euro (models)	41A5328	1
Slovenian (models)	41A5329	1

9359 Keyboard (Lenovo Enhanced Perf, USB Preferred -- with hub)	FRU#	CRU Tier
US English (models)	41A4961	1
Arabic (models)	41A4962	1
Arabic/French (models)	41A4963	1
Belgian/French (models)	41A4964	1
Belgium English (models)	41A4965	1
Brazilian Portuguese (models)	41A4966	1
Bulgarian (models)	41A4967	1
Chinese/US (models)	41A4968	1
Czech (ABB) (models)	41A4969	1
Danish (models)	41A4970	1
Dutch (models)	41A4971	1
French (models)	41A4972	1
French Canadian (models)	41A4973	1
French Canadian (models)	41A4974	1
German (models)	41A4975	1
Greek (models)	41A4976	1

9359 Keyboard (Lenovo Enhanced Perf, USB Preferred -- with hub)	FRU#	CRU Tier
Greek/US (models)	41A5078	1
Hebrew (models)	41A4977	1
Hungarian (models)	41A4978	1
Iceland (models)	41A4979	1
Italy (models)	41A4980	1
Japanese (models)	41A4981	1
Korean (models)	41A4982	1
LA Spanish (models)	41A4983	1
Norwegian (models)	41A4984	1
Polish (models)	41A4985	1
Portuguese (models)	41A4986	1
Romanian (models)	41A4987	1
Russian/Cyrillic (models)	41A4988	1
Serbian/Cyrillic (models)	41A4989	1
Slovak (models)	41A4990	1
Spanish (models)	41A4991	1
Swedish/Finnish (models)	41A4992	1
Swiss French/German (models)	41A4993	1
Thailand (models)	41A4994	1
Turkish (models)	41A4995	1
Turkish (models)	41A4996	1
UK English (models)	41A4997	1
US Euro (models)	41A4998	1
Slovenian (models)	41A4999	1

9359 Keyboard (Lenovo Fingerprint Reader USB)	FRU#	CRU Tier
US English (models)	41A5248	1
Arabic (models)	41A5249	1
Arabic/French (models)	41A5250	1
Belgian French (models)	41A5251	1
Belgium English (models)	41A5252	1
Brazilian Portuguese (models)	41A5253	1
Bulgarian (models)	41A5254	1
Chinese/US (models)	41A5255	1
Czech (ABB) (models)	41A5256	1
Danish (models)	41A5257	1
Dutch (models)	41A5258	1
French (models)	41A5259	1

9359 Keyboard (Lenovo Fingerprint Reader USB)	FRU#	CRU Tier
French Canadian (models)	41A5260	1
French Canadian (models)	41A5261	1
German (models)	41A5262	1
Greek (models)	41A5263	1
Greek/US (models)	41A5264	1
Hebrew (models)	41A5265	1
Hungarian (models)	41A5266	1
Iceland (models)	41A5267	1
Italy (models)	41A5268	1
Japanese (models)	41A5269	1
Korean (models)	41A5270	1
LA Spanish (models)	41A5271	1
Norwegian (models)	41A5272	1
Polish (models)	41A5273	1
Portuguese (models)	41A5274	1
Romanian (models)	41A5276	1
Russian/Cyrillic (models)	41A5277	1
Serbian/Cyrillic (models)	41A5278	1
Slovak (models)	41A5279	1
Spanish (models)	41A5280	1
Swedish/Finnish (models)	41A5281	1
Swiss French/German (models)	41A5282	1
Thailand (models)	41A5283	1
Turkish (models)	41A5284	1
Turkish (models)	41A5285	1
UK English (models)	41A5286	1
US Euro (models)	41A5287	1
Slovenian (models)	41A5288	1

9359 mice	FRU#	CRU
Optical Wheel Mouse (400DPI, USB) (all models)	41U3013	1
Optical Wheel Mouse (400DPI, USB) (all models)	41U3030	1
PS/2 Three Button ball mouse (41R0017) (models)	41R0018	1

9359 Adapters and miscellaneous FRUs	FRU#	CRU
Internal USB 25 in 1 Memory Card Reader Slim (models)	53Y3347	2
Internal USB Memory Card Reader floppy bay (TOWER & ROCKYS) (models)	41R3378	2
ATI HD 2600XT 512MB 128BIT ATX (TOWER) (models)	43C0261	2

9359 Adapters and miscellaneous FRUs	FRU#	CRU
USB Memory Key (models)	43R2296	2
USB Memory Key - 1G RoW (models)	41U4978	1
Soft Modem V.90/V.44 SFF (models)	46R4220	2
IEEE 1394 Firewire Adapter SFF (models)	41D2781	2
Internal USB Memory Card Reader Slim (models)	45R1885	1
ATI HD 2400PRO 128MB 64BIT DMS59 LP (ROCKYS & LX-607) (models)	46R4159	2
ATI HD 2400XT 256MB 64BIT DMS59 LP (LX607 & ROCKYS) (models)	46R4160	2
ATI HD 2400PRO 128MB 64BIT DMS59 LP (models)	43C0259	2
ATI HD 2400XT 256MB 64BIT DMS59 ATX (models)	43C0260	2
ADD2 DVI Adapter,LP (HDCP) (models)	43C0258	2
DVI-I connection Adapter Full Height (models)	39J9334	2
Speaker Power brick - US, Canada, LA low voltage, ASEAN (models 91A 91A)	89P8571	1
Speaker Power brick - LA high voltage (non-APU) (models)	89P8575	1
Speaker Power brick - China, Thailand (models 91C)	89P8581	1
Speaker Power brick - Japan (models AAJ)	89P8577	1
Speaker Power brick - Brazil (models AAP)	89P8583	1
Speaker Power brick - Argentina (models)	41A4901	1
Speaker Power brick - ANZ (models 91M)	89P8579	1
Speaker Brick - Korea (models 91K 91R)	41A4903	1
Speaker Brick - Hong Kong, EMEA (models 91B 91H)	89P8573	1
Speaker Brick - Taiwan (models 91V)	41A4905	1
Speaker Power brick - India, South Africa (models 91Q)	89P8585	1
Dongle DMS Dule DMS-59 to dual VGA Cable (models)	42Y8181	2
Dongle DMS Dule DMS-59 to dual DVI Cable (models)	41X6398	2

9356 Line Cords	FRU#	CRU
Line cord - US (models 91A)	41R3184	1
Line cord - US (models 91A)	41R3185	1
Line cord - China (models 91C)	41R3256	1
Line cord - China (models 91C)	41R3257	1
Line cord - Brazil (models)	41R3270	1
Line cord - Brazil (models)	41R3271	1
Line cord - LA High Volt APU (models)	41R3176	1
Line Cord - LA High Volt APU (models)	41R3177	1
Line Cord - Korea (models 91K 91R)	41R3260	1
Line Cord - Korea (models 91K 91R)	41R3261	1
Line Cord - UK, Ireland, Singapore, Malaysia, Brunei (models)	41R3224	1
Line Cord - UK, Ireland, Singapore, Malaysia, Brunei (models)	41R3225	1
Line Cord - Taiwan (models 91V)	41R3278	1

9356 Line Cords	FRU#	CRU
Line Cord - Taiwan (models 91V)	41R3279	1
Line Cord - Italy (models)	41R3232	1
Line Cord - Italy (models)	41R3233	1
Line Cord - Indonesia, Laos, Cambodia, and Vietnam (models 91A)	41R3208	1
Line Cord - Indonesia, Laos, Cambodia, and Vietnam (models 91A)	41R3209	1
Line Cord - Denmark (models)	41R3212	1
Line Cord - Denmark (models)	41R3213	1
Line Cord - Switzerland (models)	41R3228	1
Line Cord - Switzerland (models)	41R3229	1
Line Cord - Israel (models)	41R3236	1
Line Cord - Israel (models)	41R3237	1
Line Cord - South Africa (models 91M 91A)	41R3220	1
Line Cord - South Africa (models 91M 91A)	41R3221	1
Line Cord - India (models 91Q)	41R3341	1
Line Cord - India (models 91Q)	41R3175	1
Line Cord - Japan (models)	41R3248	1
Line Cord - Japan (models)	41R3249	1
Line Cord - ANZ (models 91M)	41R3196	1
Line Cord - ANZ (models 91M)	41R3197	1
Line Cord - Hong Kong (models 91B 91H)	41R3224	1
Line Cord - Hong Kong (models 91B 91H)	41R3225	1

9359 Windows XP Home Recovery CDs	FRU#	CRU
US/UK/AP/TH (models)	TBD	1
FR/CF (models)	TBD	1
GR (models)	TBD	1
IT (models)	TBD	1
BR (models)	TBD	1
SP/LA (models)	TBD	1
DK (models)	TBD	1
NL (models)	TBD	1
AE (models)	TBD	1
SV (Swedish)(models)	TBD	1
HE (models)	TBD	1
FI (models)	TBD	1
NO (models)	TBD	1
PL (models)	TBD	1
PO (models)	TBD	1
RU (models)	TBD	1

9359 Windows XP Home Recovery CDs	FRU#	CRU
RE (models)	TBD	
HU (models)	TBD	1
CZ (models)	TBD	1
TR (models)	TBD	1
GK (models)	TBD	1
Japanese (models)	TBD	1
Simplified Chinese (models)	TBD	1
Taiwan-TC (models)	TBD	1
Hong Kong-TC (models)	TBD	1
Korean (models)	TBD	1

9359 Windows XP Pro Recovery CDs	FRU#	CRU
US/UK/AP/TH (models)	45R0756	1
FR/CF (models)	45R0759	1
GR (models)	45R0760	1
IT (models)	45R0762	1
BR (models)	45R0763	1
SP/LA (models)	45R0761	1
DK (models)	45R0764	1
NL (models)	45R0767	1
AE (models)	45R2342	1
SV (Swedish) (models)	45R0765	1
HE (models)	45R2334	1
FI (models)	45R0766	1
NO (models)	45R0770	1
PL (models)	45R0777	1
PO (models)	45R0774	1
RU (models)	45R0773	1
RE (models)	45R2318	1
HU (models)	45R0780	1
CZ (models)	45R0776	1
TR (models)	45R0775	1
GK (models)	45R0772	1
SL (models)	45R2326	1
Japanese (models)	45R0757	1
Simplified Chinese (models)	45R0758	1
Taiwan-TC (models)	45R0768	1
Hong Kong-TC (models)	45R0769	1
Korean (models)	45R0771	1

9359 Windows XP Pro Recovery CDs	FRU#	CRU
Multilingual 1 XP-Pro -- EN, NL, FR, GR, IT (models)	45R8246	1
Multilingual 2 XP-Pro -- EN, DK, FI, NO, SV (models)	45R8247	1

9359 Vista Home Basic 32 SP1 Recovery DVDs	FRU#	CRU
English (models)	46R7273	1
Japanese (models)	46R7274	1
Simplified Chinese (models)	46R7275	1
French (models)	46R7276	1
German (models)	46R7277	1
Spanish (models)	46R7278	1
Italian (models)	46R7279	1
Brazilian Portuguese (models)	46R7280	1
Danish (models)	46R7281	1
Swedish (models)	45R9758	1
Finland (models)	45R9759	1
Dutch (models)	45R9760	1
Traditional Chinese (models)	46R7282	1
Hong Kong (models)	46R7283	1
Norwegian (models)	46R7284	1
Korean (models)	45R9764	1
Slovenian (models)	45R9765	1
Greek (models)	45R9766	1
Russian (models)	46R7285	1
Portuguese (models)	45R9768	1
Turkish (models)	45R9769	1
Czech (models)	45R9770	1
Polish (models)	45R9771	1
Russian English (models)	46R7286	1
Arabic Localized (models)	45R9773	1
Hebrew (models)	45R9774	1
Hungarian (models)	45R9775	1
Slovakian (models)	45R9776	1

9359 Vista Business 32 SP1 Recovery DVDs	FRU#	CRU
English (models)	46R7287	1
Japanese (models)	46R7288	1
Simplified Chinese (models)	46R7289	1
French (models)	46R7290	1
German (models)	46R7291	1

9359 Vista Business 32 SP1 Recovery DVDs	FRU#	CRU
Spanish (models)	46R7292	1
Italian (models)	46R7293	1
Brazilian Portuguese (models)	46R7294	1
Danish (models)	46R7295	1
Swedish (models)	45R9786	1
Finland (models)	45R9787	1
Dutch (models)	45R9788	1
Traditional Chinese (models)	46R7296	1
Hong Kong (models)	46R7297	1
Norwegian (models)	46R7298	1
Korean (models)	45R9792	1
Slovenian (models)	45R9793	1
Greek (models)	45R9794	1
Russian (models)	46R7299	1
Portuguese (models)	45R9796	1
Turkish (models)	45R9797	1
Czech (models)	45R9798	1
Polish (models)	45R9799	1
Russian English (models)	46R7300	1
Arabic Localized (models)	45R9801	1
Hebrew (models)	45R9802	1
Romanian (models)	45R9803	1
Hungarian (models)	45R9804	1
Slovakian (models)	45R9805	1
Serbian-Latin (models)	45R9806	1

9359 Vista VHP SP1 Recovery DVDs	FRU#	CRU
English (models)	46R7315	1
Japanese (models)	46R7316	1
Simplified Chinese (models)	46R7317	1
French (models)	46R7318	1
German (models)	46R7319	1
Spanish (models)	46R7320	1
Italian (models)	46R7321	1
Brazilian Portuguese (models)	46R7322	1
Danish (models)	46R7323	1
Swedish (models)	45R9844	1
Finland (models)	45R9845	1
Dutch (models)	45R9846	1

9359 Vista VHP SP1 Recovery DVDs	FRU#	CRU
Traditional Chinese (models)	46R7324	1
Hong Kong (models)	46R7325	1
Norwegian (models)	46R7326	1
Korean (models)	45R9850	1
Slovenian (models)	45R9851	1
Greek (models)	45R9852	1
Russian (models)	46R7327	1
Portuguese (models)	45R9854	1
Turkish (models)	45R9855	1
Czech (models)	45R9856	1
Polish (models)	45R9857	1
Russian English (models)	46R7328	1
Arabic Localized (models)	45R9859	1
Hebrew (models)	45R9860	1
Romanian (models)	45R9861	1
Hungarian (models)	45R9862	1
Slovakian (models)	45R9863	1
Serbian-Latin (models)	45R9864	1

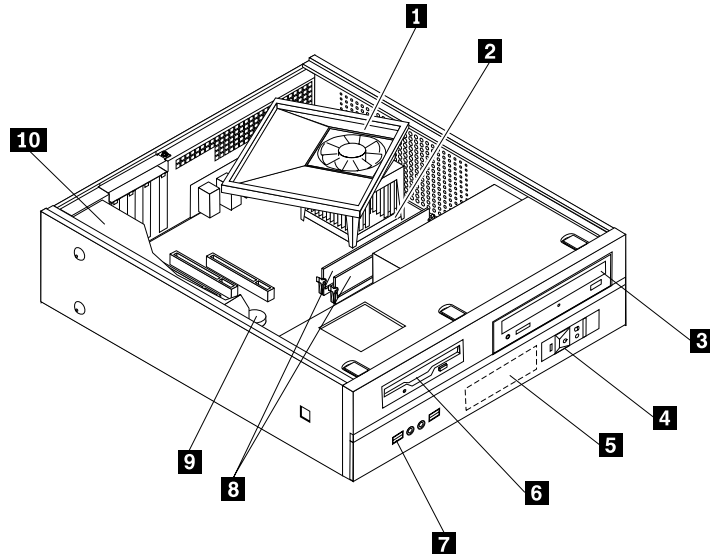
9359 Vista Business 64 SP1 Recovery DVDs	FRU#	CRU
English (models)	46R7301	1
Russian English (models)	46R7302	1
French (models)	46R7303	1
German (models)	46R7304	1
Spanish (models)	46R7305	1
Brazilian Portuguese (models)	46R7306	1
Italian (models)	46R7307	1
Japanese (models)	46R7308	1
Norwegian (models)	46R7309	1
Swedish (models)	45R9816	1
Danish (models)	45R9817	1
Dutch (models)	45R9818	1
Czech (models)	46R7310	1
Finnish (models)	46R7311	1
Polish (models)	46R7312	1
Russian (models)	45R9822	1
Turkish (models)	45R9823	1
Hungarian (models)	45R9824	1
Greek (models)	45R9825	1

9359 Vista Business 64 SP1 Recovery DVDs	FRU#	CRU
Simplified Chinese (models)	46R7313	1
Taiwan (models)	45R9827	1
HongKong (models)	45R9828	1
Korea (models)	45R9829	1
Slovenian (models)	46R7314	1
Portuguese (models)	45R9831	1
Arabic Localized (models)	45R9832	1
Hebrew (models)	45R9833	1
Slovakian (models)	45R9834	1

9359 Vista Ultimate 32 SP1 Recovery DVDs	FRU#	CRU
English (models)	46R7329	1
Japanese (models)	46R7330	1
Simplified Chinese (models)	46R7331	1
French (models)	46R7332	1
German (models)	46R7333	1
Spanish (models)	46R7334	1
Italian (models)	46R7335	1
Brazilian Portuguese (models)	46R7336	1
Danish (models)	46R7337	1
Swedish (models)	45R9874	1
Finland (models)	45R9875	1
Dutch (models)	45R9876	1
Traditional Chinese (models)	46R7338	1
Hong Kong (models)	46R7339	1
Norwegian (models)	46R7340	1
Korean (models)	45R9880	1
Slovenian (models)	45R9881	1
Greek (models)	45R9882	1
Russian (models)	46R7341	1
Portuguese (models)	45R9884	1
Turkish (models)	45R9885	1
Czech (models)	45R9886	1
Polish (models)	45R9887	1
Russian English (models)	46R5089	1
Arabic Localized (models)	46R7342	1
Hebrew (models)	45R9890	1
Hungarian (models)	45R9891	1
Slovakian (models)	45R9892	1

9359 Vista Starter 32 Recovery DVDs	FRU#	CRU
English (models)	46R5059	1

Machine Type 9438



Item #	9438 FRUs	FRU#	CRU
1	Heat Sink/RM Kit Intel (all models)	41R6022	N
1	Heat Sink/RM Kit Intel (all models)	41N8261	2
2	Microprocessor, Celeron 420 CONROE-L 800/1600MHZ-512K,LGA,EM64T (models)	43C3835	N
2	Microprocessor, Celeron 430 CONROE-L 800/1800MHZ-512K,LGA,EM64T (models)	43C1964	N
2	Microprocessor, Celeron 440 CONROE-L 800/2000MHZ-512K,LGA,EM64T (models)	43C1965	N
2	Microprocessor, Pentium Dual-core E2140 CONROE-L 800/1600MHZ-1M, LGA, EM64T (models)	43C1967	N
2	Microprocessor, Pentium Dual-core E2160 CONROE-L 800/1800MHZ-1M, LGA, EM64T (models)	43C1968	N
2	Microprocessor, Core 2 Duo E4400 L2 CONROE 800/2000MHZ-2M, LGA, EM64T (models)	43C2056	N
2	Microprocessor, Core 2 Duo E6400 B2 CONROE 1066/2130MHZ-2M, LGA, EM64T L2 Value (models)	41X2496	N
2	Microprocessor, Pentium Dual-core E2200 CONROE-L 800/2200MHZ-1M, LGA, EM64T - NPI (models CTO)	45C5349	N
2	Microprocessor, Pentium Dual-core E2180 CONROE-L 800/2000MHZ-1M, LGA, EM64T - NPI (models CTO)	45C1773	N
2	Microprocessor, Pentium Dual-core E2220 CONROE-L 800/2400MHZ-1M, LGA, EM64T - NPI (models CTO)	45C1774	N
2	Microprocessor, Core 2 Duo E4600 M0 CONROE 800/2400MHZ-2M, LGA, EM64T - NPI (models CTO)	45C5282	N
2	Microprocessor, Core 2 Duo E4500 M0 CONROE 800/2200MHZ-2M, LGA, EM64T (models CTO)	43C6305	N

Item #	9438 FRUs	FRU#	CRU
2	Microprocessor, Core 2 Duo E6850 G0 CONROE 1333/3000MHZ-4M, LGA, EM64T (models CTO)	43C1694	N
2	Microprocessor, Core 2 Duo E6750 G0 CONROE 1333/2660MHZ-4M, LGA, EM64T (models CTO)	43C1693	N
2	Microprocessor, Core 2 Duo E6550 G0 CONROE 1333/2330MHZ-4M, LGA, EM64T (models CTO)	43C3833	N
2	Microprocessor, Core 2 Quad G-0 Q6700 KENTSFIELD 1066/2660MHZ-8M (models CTO)	43C6309	N
2	Microprocessor, Core 2 Quad G-0 Q6600 KENTSFIELD 1066/2400MHZ-8M (models CTO)	43C1695	N
2	Microprocessor, Core 2 Duo E8500 WOLFDAL E 1333/3160MHZ-6M (models CTO)	45C7735	N
2	Microprocessor, Core 2 Duo E8400 WOLFDAL E 1333/3000MHZ-6M (models CTO)	45C7736	N
2	Microprocessor, Core 2 Duo E8200 WOLFDAL E 1333/2660MHZ-6M (models CTO)	45C7738	N
2	Microprocessor, Core 2 Duo E8190 WOLFDAL E 1333/2660MHZ-6M - NON VT/Vpro (models CTO)	45R2568	N
2	Microprocessor, Core 2 Quad Q9550 C-1 YORKFIELD 2.83GHz 1333MHZ FSB 12M L2 (models CTO)	45C7739	N
2	Microprocessor, Core 2 Quad Q9450 C-1 YORKFIELD 2.66GHz 1333MHZ FSB 12M L2 (models CTO)	45C7740	N
2	Microprocessor, Core 2 Quad Q9300 M-1 YORKFIELD 2.5GHz 1333MHZ FSB 6M L2 (models CTO)	45C7741	N
2	Microprocessor, Core 2 Duo E8300 C-0 WOLFDAL E 2.83GHz 1333MHZ FSB 6M L2 (models CTO)	45C7737	N
2	Microprocessor, Core 2 Duo E7300 M-0 2.66GHz 1066MHz FSB 3M L2 (models CTO)	46R1622	N
2	Microprocessor, Core 2 Duo E7200 M-0 2.53GHz 1066MHz FSB 3M L2 (models CTO)	45R8337	N
2	Microprocessor, Core 2 Duo E4700 G-0 2.6GHz 800MHz FSB 2M L2 (models CTO)	45R5786	N
2	Microprocessor, Celeron Dual Core E1400 M-0 2.0GHz 800MHz FSB 512K L2 (models CTO)	45R8339	N
2	Microprocessor, Celeron Dual Core E1200 M-0 1.6GHz 800MHz FSB 512K L2, LGA, EM64T - NPI (models CTO)	45R8341	N
2	Microprocessor, Core 2 Duo E8600 E-0 WOLFDAL E 3.33GHz 1333MHZ FSB 6M L2 (models CTO)	46R8640	N
3	DVD-ROM Drive - 16x/48x - SATA Vista & non-Vista (models AMU AMF)	41N3325	2
3	DVD-ROM/CD-RW Combo Drive - 48x/32x/48x/16x - SATA Vista & non-Vista (models)	42Y9353	2
3	DVD-RW/CD-RW Rambo 8 - SATA Vista & non-Vista (models AAM AAA AAQ AAT AAK AAJ ABM ABA ABQ ABT ABJ ACM ACA ACQ ACT ACJ ADM ADA ADQ ADT ADK ADJ AEM AEA AEQ AET AEK AEJ AFM AHM AHA AHQ AHK AHJ AGM AGA AGQ AGT AGK AGJ B1U B1F B2G ANU ANF AJU AJF AKU AKF ALU ALF APG ARM ARA ARQ ART ARK ARJ AQQ)	43C1042	2
4	Front Power/LED PC, bracket, and cable (all models)	41N8213	2
5	Hard disk drive, SATA 80GB 7200RPM/3Gb/8MB (models)	40Y9034	2
5	Hard disk drive, SATA 160GB 7200RPM/3Gb/8MB (models ABM ABA ABQ ABT ABJ AFM AHM AHA AHQ AHK AHJ B1U B1F B2G ANU ANF AJU AJF AKU AKF ALU ALF AMU AMF ARM ARA ARQ ART ARK ARJ)	40Y9035	2
5	Hard disk drive, SATA 320GB 7200rpm SATA/8MB (models ACM ACA ACQ ACT ACJ)	87H4891	2

Item #	9438 FRUs	FRU#	CRU
6	Diskette drive, 3,5", 1.44MB, 2-mode, (w/bezel) (models)	40Y9105	2
6	Diskette drive, 3,5", 1.44MB, 2-mode, (w/bezel) (models)	40Y9107	2
7	Front USB/Audio with bracket (all models)	41N8212	2
8	Memory module, 512 MB PC-5300 (667MHz) DDR2 SDRAM (models AFM)	41X4255	2
8	Memory module, 1 GB PC-5300 (667MHz) DDR2 SDRAM (models B1U B1F B2G ANU ANF AJU AJF ALU ALF APG)	41X4256	2
8	Memory module, 2 GB PC-5300 (667MHz) DDR2 SDRAM (models AAM AAA AAQ AAT AAK AAJ ABM ABA ABQ ABT ABJ ACM ACA ACQ ACT ACJ ADM ADA ADQ ADT ADK ADJ AEM AEA AEQ AET AEK AEJ AHM AHA AHQ AHK AHJ AGM AGA AGQ AGT AGK AGJ AKU AKF AMU AMF ARM ARA ARQ ART ARK ARJ AQQ)	41X4257	2
8	Memory module, 512 MB PC2-6400 (800MHz) DDR2 SDRAM (models)	41X1079	2
8	Memory module, 1GB PC-6400 (800MHz) DDR2 SDRAM (models)	41X1080	2
8	Memory module, 2GB PC-6400 (800MHz) DDR2 SDRAM (models)	41X1081	2
9	System board, Intel G31 mATX GA Level (models AAM AAA AAQ AAT AAK AAJ ABM ABA ABQ ABT ABJ ACM ACA ACQ ACT ACJ ADM ADA ADQ ADT ADK ADJ AEM AEA AEQ AET AEK AEJ AFM AHM AHA AHQ AHK AHJ AGM AGA AGQ AGT AGK AGJ B1U B1F B2G ANU ANF AJU AJF AKU AKF ALU ALF AMU AMF APG ARM ARA ARQ ART ARK ARJ AQQ)	53Y3282	N
10	Power supply, 220 Watt Power Supply - Robust; for all countries except for JP (ROCKYS) (models AAM AAA AAQ AAT AAK ABM ABA ABQ ABT ACM ACA ACQ ACT ADM ADA ADQ ADT ADK AEM AEA AEQ AET AEK AFM AHM AHA AHQ AHK AGM AGA AGQ AGT AGK B1U B1F B2G ANU ANF AJU AJF AKU AKF ALU ALF AMU AMF APG ARM ARA ARQ ART ARK AQQ))	41A9689	N
10	Power supply, 220 Watt Power Supply - Japan; only for JP (ROCKYS) (models ARJ))	41A9697	N
10	Power supply, 220W 80% Power supply-for all countries (ROCKYS) (models AAM AAA AAQ AAT AAK ABM ABA ABQ ABT ACM ACA ACQ ACT ADM ADA ADQ ADT ADK AEM AEA AEQ AET AEK AFM AHM AHA AHQ AHK AGM AGA AGQ AGT AGK B1U B1F B2G ANU ANF AJU AJF AKU AKF ALU ALF AMU AMF APG ARM ARA ARQ ART ARK ARJ AQQ)	41A9670	N
10	Power supply, 280W TFX 280W PS ,Active PFC, for RockyS-for all countries (ROCKYS) (models AAM AAA AAQ AAT AAK ABM ABA ABQ ABT ACM ACA ACQ ACT ADM ADA ADQ ADT ADK AEM AEA AEQ AET AEK AFM AHM AHA AHQ AHK AGM AGA AGQ AGT AGK B1U B1F B2G ANU ANF AJU AJF AKU AKF ALU ALF AMU AMF APG ARM ARA ARQ ART ARK ARJ AQQ)	41A9705	N

The FRUs listed in the following tables are not illustrated.

9438 FRUs	FRU#	CRU
Planer shield, Atx 946,G31 with usb number (all models)	41R6384	N
Cabel, SATA 250mm (RoHS) (all models)	43N9012	2
Shield, EMC , Blank 5.25 (all models)	41N8271	2
Shield, EMC , Blank diskette drive (all models)	41N8273	2
Cover (all models)	41N8204	2
Mechanical shell kit (all models)	41R6387	N
Bezel kit, without IBM logo (all models)	41R6238	2
Miscellaneous hardware kit (all models)	41N8209	2

9438 FRUs	FRU#	CRU
Hard disk drive bracket assembly (plastic and grommets) (all models)	41N8210	2
Hard disk drive fan and bracket asm (all models)	41R6325	2
Speaker cable assembly, 600 mm cable length (all models)	41N8217	2
Fan duct assembly (all models)	41R4808	2
Rear USB 2Ports II LP (R), low profile I/O, 200mm, Rohs (all models)	42Y8006	2
Retention module assembly, Intel (all models)	41A7139	N
Intrusion switch assembly (all models)	41R6208	2
Foot stand (all models)	41R4813	1
Cable, diskette drive (all models)	41A7147	2
Cable, serial ATA, 250 mm (all models)	41A7145	2
Planer shield, Atx 946, with usb number (all modes)	41R6378	N
Rear Com2 cable , Rohs (all models)	41R6198	2
Rear Com2 cable II LP(R), low profile I/O, 250mm, Rohs (all models)	42Y8008	2
Rear USB 2Ports II LP(R), low profile I/O, 350mm, Rohs (all models)	43N9124	2
Temp Sense Cable (165 mm) (all models)	43N9079	2
Fru,Tamdhu chassis primary HDD cage (all models)	45K6272	1
Fru,Tamdhu ruber foot(For acoustic improvement) (all models)	45K6278	2
BATTERY 3V-LITHIUM (TOWER,ROCKYS,LX-607) (models AAM AAA AAQ AAT AAK AAJ ABM ABA ABQ ABT ABJ ACM ACA ACQ ACT ACJ ADM ADA ADQ ADT ADK ADJ AEM AEA AEQ AET AEK AEJ AFM AHM AHA AHQ AHK AHJ AGM AGA AGQ AGT AGK AGJ B1U B1F B2G ANU ANF AJU AJF AKU AKF ALU ALF AMU AMF APG ARM ARA ARQ ART ARK ARJ AQQ)	45C1566	N

9438 Keyboard (Lenovo USB Preferred -- without hub)	FRU#	CRU Tier
US English (models)	41A5039	1
Arabic (models)	41A5040	1
Arabic/French (models)	41A5041	1
Belgian/French (models)	41A5042	1
Belgian/English (models)	41A5043	1
Brazilian Portuguese (models)	41A5044	1
Bulgarian (models)	41A5045	1
Chinese/US (models)	41A5046	1
Czech (models)	41A5047	1
Danish (models)	41A5048	1
Dutch (models)	41A5049	1
French (models)	41A5050	1
French Canadian (models)	41A5051	1
French Canadian (models)	41A5052	1
German (models)	41A5053	1
Greek (models)	41A5054	1

9438 Keyboard (Lenovo USB Preferred -- without hub)	FRU#	CRU Tier
Greek/US (models)	41A5080	1
Hebrew (models)	41A5055	1
Hungarian (models)	41A5056	1
Iceland (models)	41A5057	1
Italian (models)	41A5058	1
Japanese (models)	41A5059	1
Korean (models)	41A5060	1
LA Spanish (models)	41A5061	1
Norwegian (models)	41A5062	1
Polish (models)	41A5063	1
Portuguese (models)	41A5064	1
Romanian (models)	41A5065	1
Russian/Cyrillic (models)	41A5066	1
Serbian/Cyrillic (models)	41A5067	1
Slovak (models)	41A5068	1
Spanish (models)	41A5069	1
Swedish/Finnish (models)	41A5070	1
Swiss (models)	41A5071	1
Thailand (models)	41A5072	1
Turkish (models)	41A5073	1
Turkish (models)	41A5074	1
UK English (models)	41A5075	1
US Euro (models)	41A5076	1
Slovenian (models)	41A5077	1

9438 Keyboard (Lenovo USB Preferred -- without hub)	FRU#	CRU Tier
US English (models AAM AAA AAQ ABM ABA ABQ ACM ACA ACQ ADM ADA ADQ AEM AEA AEQ AFM AHM AHA AHQ AGM AGA AGQ B1U ANU AJU AKU ALU AMU APG ARM ARA ARQ AQQ)	41A5289	1
Arabic (models)	41A5290	1
Arabic/French (models B2G APG AQQ)	41A5291	1
Belgian/French (models B2G APG AQQ)	41A5292	1
Belgian/UK (models B2G APG AQQ)	41A5293	1
Brazilian Portuguese (models B2G APG AQQ)	41A5294	1
Bulgarian (models B2G APG AQQ)	41A5295	1
Chinese/US (models)	41A5296	1
Czech(ABB) (models B2G APG AQQ)	41A5297	1
Danish (models B2G APG AQQ)	41A5298	1

9438 Keyboard (Lenovo USB Preferred -- without hub)	FRU#	CRU Tier
Dutch (models B2G APG AQQ)	41A5299	1
French (models B2G APG AQQ)	41A5300	1
French Canadian (models B1F ANF AJF AKF ALF AMF)	41A5301	1
French Canadian (models B1F ANF AJF AKF ALF AMF)	41A5302	1
German (models B2G APG AQQ)	41A5303	1
Greek (models B2G APG AQQ)	41A5304	1
Greek/US (models B2G APG AQQ)	41A5305	1
Hebrew (models B2G APG AQQ)	41A5306	1
Hungarian (models B2G APG AQQ)	41A5307	1
Iceland (models B2G APG AQQ)	41A5308	1
Italian (models B2G APG AQQ)	41A5309	1
Japanese (models AAJ ABJ ACJ ADJ AEJ AHJ AGJ ARJ)	41A5310	1
Korean (models AAK ADK AEK AHK AGK ARK)	41A5311	1
LA Spanish (models)	41A5312	1
Norwegian (models B2G APG AQQ)	41A5313	1
Polish (models B2G APG AQQ)	41A5314	1
Portuguese (models B2G APG AQQ)	41A5315	1
Romanian (models B2G APG AQQ)	41A5317	1
Russian/Cyrillic (models B2G APG AQQ)	41A5318	1
Serbian/Cyrillic (models B2G APG AQQ)	41A5319	1
Slovak (models B2G APG AQQ)	41A5320	1
Spanish (models B2G APG AQQ)	41A5321	1
Swedish/Finnish (models B2G APG AQQ)	41A5322	1
Swiss French/German (models B2G APG AQQ)	41A5323	1
Thailand (models AAT ABT ACT ADT AGT AET)	41A5324	1
Turkish (models B2G APG AQQ)	41A5325	1
Turkish (models B2G APG AQQ)	41A5326	1
UK English (models B2G APG AQQ)	41A5327	1
US Euro (models)	41A5328	1
Slovenian (models B2G APG AQQ)	41A5329	1

9438 Keyboard (Lenovo Enhanced Perf, USB Preferred -- with hub)	FRU#	CRU Tier
US English (models)	41A4961	1
Arabic (models)	41A4962	1
Arabic/French (models)	41A4963	1
Belgian/French (models)	41A4964	1
Belgian/UK (models)	41A4965	1
Brazilian Portuguese (models)	41A4966	1

9438 Keyboard (Lenovo Enhanced Perf, USB Preferred -- with hub)	FRU#	CRU Tier
Bulgarian (models)	41A4967	1
Chinese/US (models)	41A4968	1
Czech(ABB) (models)	41A4969	1
Danish (models)	41A4970	1
Dutch (models)	41A4971	1
French (models)	41A4972	1
French Canadian (models)	41A4973	1
French Canadian (models)	41A4974	1
German (models)	41A4975	1
Greek (models)	41A4976	1
Greek/US (models)	41A5078	1
Hebrew (models)	41A4977	1
Hungarian (models)	41A4978	1
Iceland (models)	41A4979	1
Italian (models)	41A4980	1
Japanese (models)	41A4981	1
Korean (models)	41A4982	1
LA Spanish (models)	41A4983	1
Norwegian (models)	41A4984	1
Polish (models)	41A4985	1
Portuguese (models)	41A4986	1
Romanian (models)	41A4987	1
Russian/Cyrillic (models)	41A4988	1
Serbian/Cyrillic (models)	41A4989	1
Slovak (models)	41A4990	1
Spanish (models)	41A4991	1
Swedish/Finnish (models)	41A4992	1
Swiss French/German (models)	41A4993	1
Thailand (models)	41A4994	1
Turkish (models)	41A4995	1
Turkish (models)	41A4996	1
UK English (models)	41A4997	1
US Euro (models)	41A4998	1
Slovenian (models)	41A4999	1

9438 Keyboard (Lenovo Fingerprint Reader USB)	FRU#	CRU Tier
US English (models)	41A5248	1
Arabic (models)	41A5249	1

9438 Keyboard (Lenovo Fingerprint Reader USB)	FRU#	CRU Tier
Arabic/French (models)	41A5250	1
Belgian/French (models)	41A5251	1
Belgian/UK (models)	41A5252	1
Brazilian Portuguese (models)	41A5253	1
Bulgarian (models)	41A5254	1
Chinese/US (models)	41A5255	1
Czech(ABB) (models)	41A5256	1
Danish (models)	41A5257	1
Dutch (models)	41A5258	1
French (models)	41A5259	1
French Canadian (models)	41A5260	1
French Canadian (models)	41A5261	1
German (models)	41A5262	1
Greek (models)	41A5263	1
Greek/US (models)	41A5264	1
Hebrew (models)	41A5265	1
Hungarian (models)	41A5266	1
Iceland (models)	41A5267	1
Italian (models)	41A5268	1
Japanese (models)	41A5269	1
Korean (models)	41A5270	1
LA Spanish (models)	41A5271	1
Norwegian (models)	41A5272	1
Polish (models)	41A5273	1
Portuguese (models)	41A5274	1
Romanian (models)	41A5276	1
Russian/Cyrillic (models)	41A5277	1
Serbian/Cyrillic (models)	41A5278	1
Slovak (models)	41A5279	1
Spanish (models)	41A5280	1
Swedish/Finnish (models)	41A5281	1
Swiss French/German (models)	41A5282	1
Thailand (models)	41A5283	1
Turkish (models)	41A5284	1
Turkish (models)	41A5285	1
UK English (models)	41A5286	1
US Euro (models)	41A5287	1
Slovenian (models)	41A5288	1

9438 mice	FRU#	CRU
Optical Wheel Mouse (400DPI, USB) (all models)	41U3013	1
Optical Wheel Mouse (400DPI, USB) (all models)	41U3030	1
PS/2 2 Button Ball Mouse (models)	41R0018	1

9438 Adapters and miscellaneous FRUs	FRU#	CRU
Internal USB Memory Card Reader floppy bay (models)	41R3378	2
Internal USB 20 in 1 Memory CardReader floppy bay (models)	45R8139	2
USB Memory Key (models)	43R2296	2
Internal USB Memory Card Reader floppy bay (models)	41R3376	2
IEEE 1394 Firewire Adapter SFF (models)	41D2781	2
Soft Modem V.90/V.44 SFF (models CTO)	46R4220	2
USB Memory Key - 1G RoW (models)	41U4978	1
ATI HD 2400PRO 128MB 64BIT DMS59 LP (models ACM ACA ACQ ACT ACJ)	43C0259	2
ATI HD 2400XT 256MB 64BIT DMS59 LP (models)	43C0260	2
ADD2 DVI Adapter,LP (HDCP) (models)	43C0258	2
DVI-I connection Adapter Full Height (models AMU AMF)	39J9334	2
DVI-I connection Adapter Low Profile (models)	39J9334	2
Speaker Power brick - US, Canada, LA low voltage,ASEAN (models AAA ABA ACA ADA AEAHA AGA ANU AJU AKU ALU AMU)	89P8571	1
Speaker Power brick - LA high voltage (non-APU) (models)	89P8575	1
Speaker Power brick - China, Thailand (models AAT ABT ACT ADT AET AGT ART)	89P8581	1
Speaker Power brick - Japan (models AAJ ABJ ACJ ADJ AEJ AHJ AGJ ARJ)	89P8577	1
Speaker Power brick - Brazil (models)	89P8583	1
Speaker Power brick - Argentina (models)	41A4901	1
Speaker Power brick - ANZ (models AAM ABM ACM ADM AEM AFM AHM AGM ARM)	89P8579	1
Speaker Brick - Korea (models AAK ADK AEK AHK AGK ARK)	41A4903	1
Speaker Brick - Hong Kong, EMEA (models B2G APG AQG)	89P8573	1
Speaker Brick - Taiwan (models)	41A4905	1
Speaker Power brick - India, South Africa (models AAQ ABQ ACQ ADQ AEQ AGQ ARQ)	89P8585	1
Dongle DMS Dule DMS-59 to dual VGA Cable (models)	42Y8181	2
Dongle DMS Dule DMS-59 to dual DVI Cable (models)	41X6398	2

9438 Line Cords	FRU#	CRU
Line cord - US (models AAA ABA ACA ADA AEA AHA AGA AAT ABT ACT ADT AET AGT B1U B1F ANU ANF AJU AJF AKU AKF ALU ALF AMU AMF ARA ART)	41R3184	1
Line cord - US (models AAA ABA ACA ADA AEA AHA AGA AAT ABT ACT ADT AET AGT B1U B1F ANU ANF AJU AJF AKU AKF ALU ALF AMU AMF ARA ART)	41R3185	1
Line cord - China (models)	41R3256	1
Line cord - China (models)	41R3257	1
Line cord - Brazil (models)	41R3270	1

9438 Line Cords	FRU#	CRU
Line cord - Brazil (models)	41R3271	1
Line cord - LA High Volt APU (models)	41R3176	1
Line Cord - LA High Volt APU (models)	41R3177	1
Line Cord - Korea (models AAK ADK AEK AHK AGK ARK)	41R3260	1
Line Cord - Korea (models AAK ADK AEK AHK AGK ARK)	41R3261	1
Line Cord - UK, Ireland, Singapore, Malaysia, Brunei (models AAA ABA ACA ADA AEAHA AGA B2G APG ARA)	41R3224	1
Line Cord - UK, Ireland, Singapore, Malaysia, Brunei (models AAA ABA ACA ADA AEAHA AGA B2G APG ARA)	41R3225	1
Line Cord - Taiwan (models)	41R3278	1
Line Cord - Taiwan (models)	41R3279	1
Line Cord - Italy (models B2G APG AQQ)	41R3232	1
Line Cord - Italy (models B2G APG AQQ)	41R3233	1
Line Cord - Indonesia, Laos, Cambodia, and Vietnam (models AAA ABA ACA ADA AEA AHA AGA ARA)	41R3208	1
Line Cord - Indonesia, Laos, Cambodia, and Vietnam (models AAA ABA ACA ADA AEA AHA AGA ARA)	41R3209	1
Line Cord - Denmark (models B2G APG AQQ)	41R3212	1
Line Cord - Denmark (models B2G APG AQQ)	41R3213	1
Line Cord - Switzerland (models B2G APG AQQ)	41R3228	1
Line Cord - Switzerland (models B2G APG AQQ)	41R3229	1
Line Cord - Israel (models B2G APG AQQ)	41R3236	1
Line Cord - Israel (models B2G APG AQQ)	41R3237	1
Line Cord - South Africa (models AAM ABM ACM ADM AEM AFM AHM AGM AAA ABA ACA ADA AEAHA AGA B2G APG ARM)	41R3220	1
Line Cord - South Africa (models AAM ABM ACM ADM AEM AFM AHM AGM AAA ABA ACA ADA AEAHA AGA B2G APG ARM)	41R3221	1
Line Cord - India (models AAQ ABQ ACQ ADQ AEQ AGQ ARQ)	41R3341	1
Line Cord - India (models AAQ ABQ ACQ ADQ AEQ AGQ ARQ)	41R3175	1
Line Cord - Japan (models AAJ ABJ ACJ ADJ AEJ AHJ AGJ ARJ)	41R3248	1
Line Cord - Japan (models AAJ ABJ ACJ ADJ AEJ AHJ AGJ ARJ)	41R3249	1
Line Cord - ANZ (models AAM ABM ACM ADM AEM AFM AHM AGM ARM)	41R3196	1
Line Cord - ANZ (models AAM ABM ACM ADM AEM AFM AHM AGM ARM)	41R3197	1
Line Cord - Hong Kong (models)	41R3224	1
Line Cord - Hong Kong (models)	41R3225	1
Line Cord - US (models AAA ABA ACA ADA AEA AHA AGA AAT ABT ACT ADT AET AGT B1U B1F)	43N9032	1
Line Cord - China (models)	43N9033	1
Line Cord - Japan (models AAJ ABJ ACJ ADJ AEJ AHJ AGJ)	43N9034	1
Line Cord - ANZ (models AAM ABM ACM ADM AEM AFM AHM AGM)	43N9035	1

9438 Line Cords	FRU#	CRU
Line Cord - Hong Kong Singapore, Malaysia, Brunei,Ireland (models AAA ABA ACA ADA AEAHAH AGA)	43N9036	1
Line Cord - Taiwan (models)	43N9037	1
Line Cord - Italy (models B1G)	43N9038	1
Line Cord - Indonesia, Laos, Cambodia, and Vietnam,Austria, Belgium, Croatia Czechoslovakia, Finland, France, Germany, Hungary, Netherlands, Norway ,Poland, Portugal, Romania, Spain, Sweden (models AAA ABA ACA ADA AEAHAH AGA)	43N9039	1
Line Cord - Denmark (models B1G)	43N9040	1
Line Cord - Switzerland (models B1G)	43N9041	1
Line Cord - India (models AAQ ABQ ACQ ADQ AEQ AGQ)	43N9042	1

9438 Windows XP Home Recovery CDs	FRU#	CRU
US/UK/AP/TH (models)	TBD	1
FR/CF (models)	TBD	1
GR (models)	TBD	1
IT (models)	TBD	1
BR (models)	TBD	1
SP/LA (models)	TBD	1
DK (models)	TBD	1
NL (models)	TBD	1
AE (models)	TBD	1
SV (models)	TBD	1
HE (models)	TBD	1
FI (models)	TBD	1
NO (models)	TBD	1
PL (models)	TBD	1
PO (models)	TBD	1
RU (models)	TBD	1
RE (models)	TBD	1
HU (models)	TBD	1
CZ (models)	TBD	1
TR (models)	TBD	1
GK (models)	TBD	1
Japanese (models)	TBD	1
Simplified Chinese (models)	TBD	1
Taiwan-TC (models)	TBD	1
Hong Kong-TC (models)	TBD	1
Korea (models)	TBD	1

9438 Windows XP Pro Recovery CDs	FRU#	CRU
US/UK/AP/TH (models ANU AJU AKU ALU AMU)	45R0756	1
FR/CF (models ANF AJF AKF ALF AMF)	45R0759	1
GR (models)	45R0760	1
IT (models)	45R0762	1
BR (models)	45R0763	1
SP/LA (models)	45R0761	1
DK (models)	45R0764	1
NL (models)	45R0767	1
AE (models)	45R2342	1
SV (Swedish) (models)	45R0765	1
HE (models)	45R2334	1
FI (models)	45R0766	1
NO (models)	45R0770	1
PL (models)	45R0777	1
PO (models)	45R0774	1
RU (models)	45R0773	1
RE (models)	45R2318	1
HU (models)	45R0780	1
CZ (models)	45R0776	1
TR (models)	45R0775	1
GK (models)	45R0772	1
SL (models)	45R2326	1
Japanese (models)	45R0757	1
Simplified Chinese (models)	45R0758	1
Taiwan-TC (models)	45R0768	1
Hong Kong-TC (models)	45R0769	1
Korean (models)	45R0771	1
Multilingual 1 XP-Pro -- EN, NL, FR, GR, IT (models)	45R8246	1
Multilingual 2 XP-Pro -- EN, DK, FI, NO, SV (models)	45R8247	1

9438 Vista Home Basic 32 SP1 Recovery DVDs	FRU#	CRU
English (models)	46R7273	1
Japanese (models)	46R7274	1
Simplified Chinese (models)	46R7275	1
French (models)	46R7276	1
German (models)	46R7277	1
Spanish (models)	46R7278	1
Italian (models)	46R7279	1
Brazilian Portuguese (models)	46R7280	1

9438 Vista Home Basic 32 SP1 Recovery DVDs	FRU#	CRU
Danish (models)	46R7281	1
Swedish (models)	45R9758	1
Finland (models)	45R9759	1
Dutch (models)	45R9760	1
Traditional Chinese (models)	46R7282	1
Hong Kong (models)	46R7283	1
Norwegian (models)	46R7284	1
Korean (models)	45R9764	1
Slovenian (models)	45R9765	1
Greek (models)	45R9766	1
Russian (models)	46R7285	1
Portuguese (models)	45R9768	1
Turkish (models)	45R9769	1
Czech (models)	45R9770	1
Polish (models)	45R9771	1
Russian English (models)	46R7286	1
Arabic Localized (models)	45R9773	1
Hebrew (models)	45R9774	1
Hungarian (models)	45R9775	1
Slovakian (models)	45R9776	1

9438 Vista Business 32 SP1 Recovery DVDs	FRU#	CRU
English (models AAM AAA AAQ ABM ABA ABQ ACM ACA ACQ ADM ADA ADQ ADJ AEM AEA AEQ AFM AHM AHA AHQ AGM AGA AGQ AGJ B1U APG ARM ARA ARQ AQG)	46R7287	1
Japanese (models AAJ ABJ ACJ AEJ AHJ ARJ)	46R7288	1
Simplified Chinese (models)	46R7289	1
French (models B1F)	46R7290	1
German (models B2G APG AQG)	46R7291	1
Spanish (models B2G APG AQG)	46R7292	1
Italian (models B2G APG AQG)	46R7293	1
Brazilian Portuguese (models)	46R7294	1
Danish (models B2G APG AQG)	46R7295	1
Swedish (models B2G APG AQG)	45R9786	1
Finland (models B2G APG AQG)	45R9787	1
Dutch (models B2G APG AQG)	45R9788	1
Traditional Chinese (models)	46R7296	1
Hong Kong (models)	46R7297	1
Norwegian (models B2G APG AQG)	46R7298	1
Korean (models AAK ADK AEK AHK AGK ARK)	45R9792	1

9438 Vista Business 32 SP1 Recovery DVDs	FRU#	CRU
Slovenian (models B2G APG AQQ)	45R9793	1
Greek (models B2G APG AQQ)	45R9794	1
Russian (models B2G APG AQQ)	46R7299	1
Portuguese (models B2G APG AQQ)	45R9796	1
Turkish (models B2G APG AQQ)	45R9797	1
Czech (models B2G APG AQQ)	45R9798	1
Polish (models B2G APG AQQ)	45R9799	1
Russian English (models B2G APG AQQ)	46R7300	1
Arabic Localized (models B2G APG AQQ)	45R9801	1
Hebrew (models B2G APG AQQ)	45R9802	1
Romanian (models B2G APG AQQ)	45R9803	1
Hungarian (models B2G APG AQQ)	45R9804	1
Slovakian (models B2G APG AQQ)	45R9805	1
Serbian-Latin (models)	45R9806	1

9438 Vista VHP SP1 Recovery DVDs	FRU#	CRU
English (models)	46R7315	1
Japanese (models)	46R7316	1
Simplified Chinese (models)	46R7317	1
French (models)	46R7318	1
German (models)	46R7319	1
Spanish (models)	46R7320	1
Italian (models)	46R7321	1
Brazilian Portuguese (models)	46R7322	1
Danish (models)	46R7323	1
Swedish (models)	45R9844	1
Finland (models)	45R9845	1
Dutch (models)	45R9846	1
Traditional Chinese (models)	46R7324	1
Hong Kong (models)	46R7325	1
Norwegian (models)	46R7326	1
Korean (models)	45R9850	1
Slovenian (models)	45R9851	1
Greek (models)	45R9852	1
Russian (models)	46R7327	1
Portuguese (models)	45R9854	1
Turkish (models)	45R9855	1
Czech (models)	45R9856	1
Polish (models)	45R9857	1

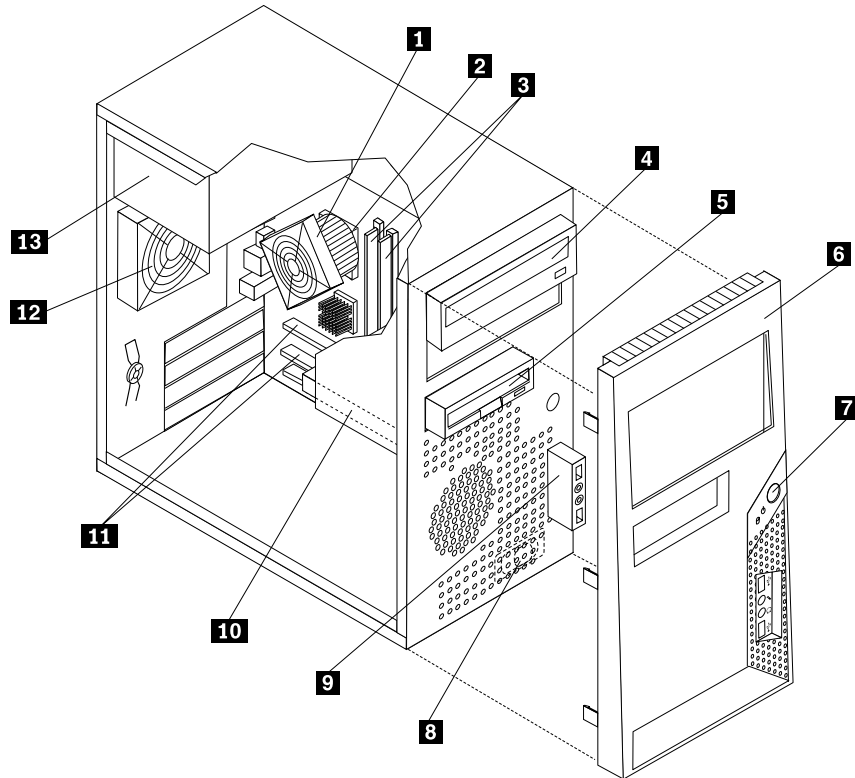
9438 Vista VHP SP1 Recovery DVDs	FRU#	CRU
Russian English (models)	46R7328	1
Arabic Localized (models)	45R9859	1
Hebrew (models)	45R9860	1
Romanian (models)	45R9861	1
Hungarian (models)	45R9862	1
Slovakian (models)	45R9863	1
Serbian-Latin (models)	45R9864	1

9438 Vista Business 64 SP1 Recovery DVDs	FRU#	CRU
English (models)	46R7301	1
Japanese (models)	46R7302	1
Simplified Chinese (models)	46R7303	1
French (models)	46R7304	1
German (models)	46R7305	1
Spanish (models)	46R7306	1
Italian (models)	46R7307	1
Brazilian Portuguese (models)	46R7308	1
Danish (models)	46R7309	1
Swedish (models)	45R9816	1
Danish (models)	45R9817	1
Dutch (models)	45R9818	1
Traditional Chinese (models)	46R7310	1
HongKong (models)	46R7311	1
Norwegian (models)	46R7312	1
Russian (models)	45R9822	1
Turkish (models)	45R9823	1
Hungarian (models)	45R9824	1
Greek (models)	45R9825	1
Russian (models)	46R7313	1
Taiwan (models)	45R9827	1
HongKong (models)	45R9828	1
Korea (models)	45R9829	1
Russian English (models)	46R7314	1
Portuguese (models)	45R9831	1
Arabic Localized (models)	45R9832	1
Hebrew (models)	45R9833	1
Slovakian (models)	45R9834	1

9438 Vista Ultimate 32 SP1 Recovery DVDs	FRU#	CRU
English (models)	46R7329	1
Japanese (models)	46R7330	1
Simplified Chinese (models)	46R7331	1
French (models)	46R7332	1
German (models)	46R7333	1
Spanish (models)	46R7334	1
Italian (models)	46R7335	1
Brazilian Portuguese (models)	46R7336	1
Danish (models)	46R7337	1
Swedish (models)	45R9874	1
Finland (models)	45R9875	1
Dutch (models)	45R9876	1
Traditional Chinese (models)	46R7338	1
Hong Kong (models)	46R7339	1
Norwegian (models)	46R7340	1
Korean (models)	45R9880	1
Slovenian (models)	45R9881	1
Greek (models)	45R9882	1
Russian (models)	46R7341	1
Portuguese (models)	45R9884	1
Turkish (models)	45R9885	1
Czech (models)	45R9886	1
Polish (models)	45R9887	1
Russian English (models)	46R5084	1
Arabic Localized (models)	45R9889	1
Hebrew (models)	45R9890	1
Hungarian (models)	45R9891	1
Slovakian (models)	45R9892	1

9438 Vista Starter 32 Recovery DVDs	FRU#	CRU
English (models)	46R5059	1

Machine Type 9439



Item #	9439 FRUs	FRU#	CRU Tier
1	Intel 65W/95W Heatsink Kit (Tower) (all models)	41R6429	2
1	Intel 65W/95W heatsink Kit (TOWER) (all models)	41R4803	2
2	Microprocessor, Celeron 420 CONROE-L 800/1600MHZ-512K,LGA,EM64T (models B1U B1F)	43C3835	N
2	Microprocessor, Celeron 430 CONROE-L 800/1800MHZ-512K,LGA,EM64T (models AAU AAF AVG B4S B4D B4Y A5S A5D A5Y BCM BCA BCQ BCT BBM DAM DAA DBM DBA DBK DBJ BBA BBQ BBT DBQ DBT DQS DQD DQY AAU)	43C1964	N
2	Microprocessor, Celeron 440 CONROE-L 800/2000MHZ-512K,LGA,EM64T (models F8A F8Q F8T)	43C1965	N
2	Microprocessor, Pentium Dual-core E2140 CONROE-L 800/1600MHZ-1M, LGA, EM64T (models)	43C1967	N
2	Microprocessor, Pentium Dual-core E2160 CONROE-L 800/1800MHZ-1M, LGA, EM64T (models ABU ABF AES AEP AEY APU APF AQU AQF B8U B8F B5S B5D B5Y BDM BDA BDQ BDT BDJ BEM BEA BEQ BET BEK BEJ BFM BFK BFJ BGA BGQ BHA BHQ DCA BFA BFQ BFT)	43C1968	N
2	Microprocessor, Core 2 Duo E4400 L2 CONROE 800/2000MHZ-2M, LGA, EM64T (models)	43C2056	N
2	Microprocessor, Core 2 Duo E6400 B2 CONROE 1066/2130MHZ-2M, LGA, EM64T L2 Value (models)	41X2496	N
2	Microprocessor, Pentium Dual-core E2200 CONROE-L 800/2200MHZ-1M, LGA, EM64T - NPI (models CTO)	45C5349	N

Item #	9439 FRUs	FRU#	CRU Tier
2	Microprocessor, Pentium Dual-core E2180 CONROE-L 800/2000MHZ-1M, LGA, EM64T - NPI (models CTO)	45C1773	N
2	Microprocessor, Pentium Dual-core E2220 CONROE-L 800/2400MHZ-1M, LGA, EM64T - NPI (models CTO)	45C1774	N
2	Microprocessor, Core 2 Duo E4600 M0 CONROE 800/2400MHZ-2M, LGA, EM64T - NPI (models CTO)	45C5282	N
2	Microprocessor, Core 2 Duo E4500 M0 CONROE 800/2200MHZ-2M, LGA, EM64T (models CTO)	43C6305	N
2	Microprocessor, Core 2 Duo E6850 G0 CONROE 1333/3000MHZ-4M, LGA, EM64T (models CTO)	43C1694	N
2	Microprocessor, Core 2 Duo E6750 G0 CONROE 1333/2660MHZ-4M, LGA, EM64T (models CTO)	43C1693	N
2	Microprocessor, Core 2 Duo E6550 G0 CONROE 1333/2330MHZ-4M, LGA, EM64T (models CTO)	43C3833	N
2	Microprocessor, Core 2 Quad G-0 Q6700 KENTSFIELD 1066/2660MHZ-8M (models CTO)	43C6309	N
2	Microprocessor, Core 2 Quad G-0 Q6600 KENTSFIELD 1066/2400MHZ-8M (models CTO)	43C1695	N
2	Microprocessor, Core 2 Duo E8500 WOLFDAL E 1333/3160MHZ-6M (models CTO)	45C7735	N
2	Microprocessor, Core 2 Duo E8400 WOLFDAL E 1333/3000MHZ-6M (models CTO)	45C7736	N
2	Microprocessor, Core 2 Duo E8200 WOLFDAL E 1333/2660MHZ-6M (models CTO)	45C7738	N
2	Microprocessor, Core 2 Duo E8190 WOLFDAL E 1333/2660MHZ-6M - NON VT/Vpro (models CTO)	45R2568	N
2	Microprocessor, Core 2 Quad Q9550 C-1 YORKFIELD 2.83GHz 1333MHZ FSB 12M L2 (models CTO)	45C7739	N
2	Microprocessor, Core 2 Quad Q9450 C-1 YORKFIELD 2.66GHz 1333MHZ FSB 12M L2 (models CTO)	45C7740	N
2	Microprocessor, Core 2 Quad Q9300 M-1 YORKFIELD 2.5GHz 1333MHZ FSB 6M L2 (models CTO)	45C7741	N
2	Microprocessor, Core 2 Duo E8300 C-0 WOLFDAL E 2.83GHz 1333MHZ FSB 6M L2 (models CTO)	45C7737	N
2	Microprocessor, Core 2 Duo E7300 M-0 2.66GHz 1066MHz FSB 3M L2 (models CTO)	46R1622	N
2	Microprocessor, Core 2 Duo E7200 M-0 2.53GHz 1066MHz FSB 3M L2 (models CTO)	45R8337	N
2	Microprocessor, Core 2 Duo E4700 G-0 2.6GHz 800MHz FSB 2M L2 (models CTO)	45R5786	N
2	Microprocessor, Celeron Dual Core E1400 M-0 2.0GHz 800MHz FSB 512K L2 (models CTO)	45R8339	N
2	Microprocessor, Celeron Dual Core E1200 M-0 1.6GHz 800MHz FSB 512K L2, LGA, EM64T - NPI (models CTO F9A F9Q F9T FBM FBA FBQ FBK F7G)	45R8341	N
2	Microprocessor, Core 2 Duo E8600 E-0 WOLFDAL E 3.33GHz 1333MHZ FSB 6M L2 (models CTO)	46R8640	N
3	Memory module, 512 MB PC-5300 (667MHz) DDR2 SDRAM (models AKC ALC B4S B4D B4Y B6S B6P B6D B6Y B7S B7D B7Y B5S B5D B5Y A5S A5D A5Y A6S A6D A6Y BCM BCQ BCA BCT BDM BDA BDQ BDT BDJ BUM DAA BUA DQS DQD DQY DRS)	41X4255	2

Item #	9439 FRUs	FRU#	CRU Tier
3	Memory module, 1 GB PC-5300 (667MHz) DDR2 SDRAM (models ANV AGM AGA AGT AHM AHA AHT AJM AJA AAU AAF ABU ABF ACU ACF ADU ADF AES AEP AEY AFS AFY AMC AVG AWG B2G B1U B1F APU APF AQU AQF ARU ARF ASU ASF ATU ATF AUU AUF B8U B8F B9U B9F BAU BAF A2U A2F BEM BEA BEQ BET BEK BEJ BWH A4M A4A A4Q A4T A4V A4K A4J BZG A3U A3F A8SA9S A9D A9Y BBM BBK BFM BFK BFJ BGA BGQ BHA BHQ BJM BKM BKK BKJ BMA BMQ BPM BPK BPJ BQA BQQ BTM BTK BTJ BVM DDM DBM DBA DBK DBJ DCA BYM BBA BBQ BBT BFA BFQ BFT BJA BJQ BKA BKQ BKT BPA BPQ BPT BTA BTQ BTT BVA BVQ DBQ DBT DCQ BLA BLQ BLT BLK DFM DFA DFQ DFT DGU DGF DGS DGP DGL DGD SGY DGG DGM DGA DGQ DGT DGC DGB DGH DGV DGK DGR DGE DGJ DHU DHF DHS DHP DHL DHD DHY DHG DHM DHA DHQ DHT DHC DHB DHH DHV DHK DHR DHE DHJ DJU DJF DJS DJP DJL DJD DJY DJG DJM DJA DJQ DJT DJC DJB DJH DJV DJK DJR DJE DJJ DKG DTA DTQ DTT DMV DNV DSS DSD DSY DPC AAU ABU ACU ADU D6U D6F D2C D3C EKM EKA EKQ EKT EKJ ELM ELA ELQ ELT ELJ EGM EGA EGQ EGT EGK EGJ EJA EJQ EJT EFM EFA EFQ EFT EBU EBF E5U E5F E7U E7F ECS ECP ECD ECU EDS EDP EDD EDY AWU AWF F5M F5A F5Q F5T F5K F5J F6M F6A F6Q F6T F6K F6J F1U F1F F2U F2F F3S F3P F3Y F8A F8Q F8T F9A F9Q F9T FBM FBA FBQ FBK F7G)	41X4256	2
3	Memory module, 2 GB PC-5300 (667MHz) DDR2 SDRAM (models BSM BSK BSJ DEM DEA DEV DEK DEJ BSA BSQ BST DEQ DET E2M E2A E2Q E2T E2K E2J EMM EMA EMQ EMT EMK ENM ENA ENQ ENT ENK EHM EHA EHQ EHT E6U E6F E8U E8F E9U E9F F4G)	41X4257	2
3	Memory module, 512 MB PC2-6400 (800MHz) DDR2 SDRAM (models)	41X1079	2
3	Memory module, 1GB PC-6400 (800MHz) DDR2 SDRAM (models)	41X1080	2
3	Memory module, 2GB PC-6400 (800MHz) DDR2 SDRAM (models)	41X1081	2
4	DVD-ROM Drive - 16x/48x - SATA Vista & non-Vista (models ANV AGM AGA AGT AAU AAF ABU ABF ACU ACF AES AEP AEY AKC ALC AQU AQF ARU ARF AUU AUF B4S B4D B4Y BCM BCQ BCA BCT BDM BDA BDQ BDT BDJ BWH A4M A4A A4Q A4T A4V A4K A4J BHA BHQ BJM BTK BTJ DAM DAA BJA BJQ BTA BTQ BTT AAU ABU ACU D8A D8Q D8T D2C EGM EGA EGQ EGT EGK EGJ EJA EJQ EJT EFM EFA EFQ EFT EBU EBF E5U E5F E9U E9F ECS ECP ECD ECU F1U F1F)	41N3325	2
4	DVD-ROM Drive - DVD-ROM/CD-RW Combo Drive - 48x/32x/48x/16x - SATA Vista & non-Vista (models ADU ADF AFS AFY AVG B1U B1F APU APF ASU ASF ATU ATF B6S B6P B6D B6Y B8U B8F B9U B9F BAU BAF B5S B5D B5Y A2U A2F A5S A5D A5Y A6S A6D A6Y A3U A3F A8S DCA DCQ DGU DGF DGS DGP DGL DGD SGY DGG DGM DGA DGQ DGT DGC DGB DGH DGV DGK DGR DGE DGJ DHU DHF DHS DHP DHL DHD DHY DHG DHM DHA DHQ DHT DHC DHB DHH DHV DHK DHR DHE DHJ ADU)	42Y9353	2
4	DVD-ROM Drive - DVD-RW/CD-RW Rambo 8 - SATA Vista & non-Vista (models AHA AHT AJM AJA AMC AWG B2G B7S B7D B7Y BEM BEA BEQ BET BEK BEJ BZG A9S A9D A9Y BBM BBK BFM BFK BFJ BGA BGQ BKM BKK BKJ BMA BMQ BPM BPK BPJ BQA BQQ BSM BSK BSJ BUM BVM DDM DEM DEA DEV DEK DEJ DBM DBA DBK DBJ BYM BBA BBQ BBT BFA BFQ BFT BKA BKQ BKT BPA BPQ BPT BSA BSQ BST BUA BVA BVQ DEQ DET DBQ DBT BLA BLQ BLT BLK DFM DFA DFQ DFT DJU DJF DJS DJP DJL DJD DJY DJG DJM DJA DJQ DJT DJC DJB DJH DJV DJK DJR DJE DJJ DKG D9A D9Q D9T E1M E1A E1Q E1T E1K E1J E2M E2A E2Q E2T E2K E2J D6U D6F D3C EKM EKA EKQ EKT EKJ ELM ELA ELQ ELT ELJ EMM EMA EMQ EMT EMK ENM ENA ENQ ENT ENK EHM EHA EHQ EHT E6U E6F E7U E7F E8U E8F EDS EDP EDD EDY AWU AWF F5M F5A F5Q F5T F5K F5J F6M F6A F6Q F6T F6K F6J F2U F2F F4G F3S F3P F3Y)	43C1042	2
5	Diskette drive, 3.5" 1.44MB 2 Mode FDD with Bezel and cable (models B4S B4D B4Y B6S B6P B6D B6Y B5S B5D B5Y A6S A6D A6Y)	40Y9107	2
5	Diskette drive, 3.5" 1.44MB 2 Mode FDD with Bezel and cable (models B4S B4D B4Y B6S B6P B6D B6Y B5S B5D B5Y A6S A6D A6Y)	40Y9105	2
6	Bezel assembly without IBM mark (all models)	41R6243	2

Item #	9439 FRUs	FRU#	CRU Tier
7	Power switch/LED assembly (all models)	41N5284	2
8	Speaker assembly, soldered terminals (models)	39P5023	2
9	Front audio/USB assembly (all models)	41N8054	2
10	Hard disk drive, SATA 80GB 7200RPM/3Gb/8MB (models AAU AAF ABU ABF ACU ACF B4S B4D B4Y B5S B5D B5Y A5S A5D A5Y BCM BCQ BCA BCT BDM BDA BDQ BDT BDJ BBM BBK BHA BHQ DAA BBA BBQ BBT BLA BLQ BLT)	40Y9034	2
10	Hard disk drive, SATA 160GB 7200RPM/3Gb/8MB (models ANV AGM AGA AGT ADU ADF AES AEP AEY AFS AFY AKC ALC AMC AVG AWG B2G B1U B1F APU APF AQU AQF ARU ARF ASU ASF ATU ATF AUU AUF B6S B6P B6D B6Y B7S B7D B7Y B8U B8F B9U B9F BAU BAF A2U A2F A6S A6D A6Y BEM BEA BEQ BET BEK BEJ BWH A4M A4A A4Q A4T A4V A4K A4J BZG A3U A3F A8S A9S A9D A9Y BFM BFK BFJ BGA BGQ BJM BKM BKK BKJ BMA BMQ BPM BPK BPJ BQA BQQ BTJ BUM BVM DBM DBA DBK DBJ DCA BFA BFQ BFT BJA BJQ BKA BKQ BKT BPA BPQ BPT BTA BTQ BTT BUA BVA BVQ DBQ DBT DCQ DFM DFA DFQ DFT DGU DGF DGS DGP DGL DGD DGM DGA DGC DGT DGC DGB DGH DGV DGK DGR DGE DGJ DHU DHF DHS DHP DHL DHD DHY DHG DHM DHA DHQ DHT DHC DHB DHH DHV DHK DHR DHE DHJ DTT DMV DNV DQS DQD DQY DRS DSS DSD DSY DPC AAU ABU ACU ADU D8A D8Q D8T D9A D9Q D9T E1M E1A E1Q E1T E1K E1J D6U D6F D2C D3C EKM EKA EKQ EKT EKJ ELM ELA ELQ ELT ELJ EGM EGA EGQ EGT EGK EGJ EJA EJQ EJT EFM EFA EFQ EFT EBU EBF E5U E5F E6U E6F E7U E7F E8U E8F E9U E9F ECS ECP ECD ECY EDS AWU AWF F5M F5A F5Q F5T F5K F5J F6M F6A F6Q F6T F6K F6J F1U F1F F3S F3P F3Y F8A F8Q F8T F9A F9Q F9T FBM FBA FBQ FBK)	40Y9035	2
10	Hard disk drive, SATA 320GB 7200rpm SATA/8MB (models AHM AHA AHT AJM AJA BSM BSK BSJ DDM BYM BSA BSQ BST E2M E2A E2Q E2T E2K E2J F4G)	87H4891	2
11	System board , Intel G31 mATX GA Level (models ANV AGM AGA AGT AHM AHA AHT AJM AJA AAU AAF ABU ABF ACU ACF ADU ADF AES AEP AEY AFS AFY AKC ALC AMC AVG AWG B2G B1U B1F APU APF AQU AQF ARU ARF ASU ASF ATU ATF AUU AUF B4S B4D B4Y B6S B6P B6D B6Y B7S B7D B7Y B8U B8F B9U B9F BAU BAF B5S B5D B5Y A2U A2F A5S A5D A5Y A6S A6D A6Y BCM BCQ BCA BCT BDM BDA BDQ BDT BDJ BEM BEA BEQ BET BEK BEJ BWH A4M A4A A4Q A4T A4V A4K A4J BZG A3U A3F A8S A9S A9D A9Y BBM BBK BFM BFK BFJ BGA BGQ BHA BHQ BJM BKM BKK BKJ BMA BMQ BPM BPK BPJ BQA BQQ BSM BSK BSJ BTM BTK BTJ BUM BVM DDM DEM DEA DEV DEK DEJ DAM DAA DBM DBA DBK DBJ DCA BYM BBA BBQ BBT BFA BFQ BFT BJA BJQ BKA BKQ BKT BPA BPQ BPT BSA BSQ BST BTA BTQ BTT BUA BVA BVQ DEQ DET DBQ DBT DCQ BLA BLQ BLT BLK DFM DFA DFQ DFT DGU DGF DGS DGP DGL DGD DGM DGA DGQ DGT DGC DGB DGH DGV DGK DGR DGE DGJ DHU DHF DHS DHP DHL DHD DHY DHG DHM DHA DHQ DHT DHC DHB DHH DHV DHK DHR DHE DHJ DJU DJF DJS DJP DJL DJD DJY DJG DJM DJA DJQ DJT DJC DJB DJH DJV DJK DJR DJE DJJ DKG DTA DTQ DTT DMV DNV DQS DQD DQY DRS DSS DSD DSY DPC AAU AAA ABU ACU ADU D8A D8Q D8T D9A D9Q D9T E1M E1A E1Q E1T E1K E1J E2M E2A E2Q E2T E2K E2J D6U D6F D2C D3C EKM EKA EKQ EKT EKJ ELM ELA ELQ ELT ELJ EMM EMA EMQ EMT EMK ENM ENA ENQ ENT ENK EGM EGA EGQ EGT EGK EGJ EHM EHA EHQ EHT EJA EJQ EJT EFM EFA EFQ EFT EBU EBF E5U E5F E6U E6F E7U E7F E8U E8F E9U E9F ECS ECP ECD ECY EDS EDP EDD EDY AWU AWF F5M F5A F5Q F5T F5K F5J F6M F6A F6Q F6T F6K F6J F1U F1F F2U F2F F4G F3S F3P F3Y F8A F8Q F8T F9A F9Q F9T FBM FBA FBQ FBK F7G)	53Y3282	N
12	Fan, 4 Pin System Fan (all models)	41R6269	2

Item #	9439 FRUs	FRU#	CRU Tier
13	Power supply, ATX 280W Power supply; Robust; for all countries except for JP (models ANV AGM AGA AGT AHM AHA AHT AJM AJA AAU AAF ABU ABF ACU ACF ADU ADF AES AEP AEY AFS AFY AKC ALC AMC AVG AWG B2G B1U B1F APU APF AQU AQF ARU ARF ASU ASF ATU ATF AUU AUF B4S B4D B4Y B6S B6P B6D B6Y B7S B7D B7Y B8U B8F B9U B9F BAU BAF B5S B5D B5Y A2U A2F A5S A5D A5Y A6S A6D A6Y BCM BCQ BCA BCT BDM BDA BDQ BDT BEM BEA BEQ BET BEK BEJ BWH A4M A4A A4Q A4T A4V A4K BZG A3U A3F A8S A9S A9D A9Y BBM BBK BFM BFK BGA BGQ BHA BHQ BJM BKM BKK BMA BMQ BPM BPK BQA BQQ BSM BSK BTM BTK BUM BVM DDM DEM DEA DEV DEK DAM DAA DBM DBA DBK DCA BYM BBA BBQ BBT BFA BFQ BFT BJA BJQ BKA BKQ BKT BPA BPQ BPT BSA BSQ BST BTA BTQ BTT BUA BVA BVQ DEQ DET DBQ DBT DCQ BLA BLQ BLT BLK DFM DFA DFQ DFT DGU DGF DGS DGP DGL DGD SGY DGG DGM DGA DGQ DGT DGC DGB DGH DGV DGK DGR DGE DHU DHF DHS DHP DHL DHD DHY DHG DHM DHA DHQ DHT DHC DHB DHH DHV DHK DHR DHE DJU DJF DJS DJP DJL DJD DJY DJG DJM DJA DJQ DJT DJC DJB DJH DJV DJK DJR DJE DKG DTT DMV DNV DQS DQD DQY DRS DSS DSD DSY DPC AAU ABU ACU ADU D8A D8Q D8T D9A D9Q D9T E1M E1A E1Q E1T E1K E2M E2A E2Q E2T E2K D6U D6F D2C D3C EKM EKA EKQ EKT ELM ELA ELQ ELT EMM EMA EMQ EMT EMK ENM ENA ENQ ENT ENK EGM EGA EGQ EGT EGK EHM EHA EHQ EHT EJA EJQ EJT EFM EFA EFQ EFT EBU EBF E5U E5F E6U E6F E7U E7F E8U E8F E9U E9F ECS ECP ECD ECY EDS EDP EDD EDY AWU AWF F5M F5A F5Q F5T F5K F1U F1F F2U F2F F4G F3S F3P F3Y F8A F8Q F8T F9A F9Q F9T FBM FBA FBQ FBK F7G)	41A9684	2
13	Power supply, ATX 280W 80% power supply;for all countries (models ANV AGM AGA AGT AHM AHA AHT AJM AJA AAU AAF ABU ABF ACU ACF ADU ADF AES AEP AEY AFS AFY AKC ALC AMC AVG AWG B2G B1U B1F APU APF AQU AQF ARU ARF ASU ASF ATU ATF AUU AUF B4S B4D B4Y B6S B6P B6D B6Y B7S B7D B7Y B8U B8F B9U B9F BAU BAF B5S B5D B5Y A2U A2F A5S A5D A5Y A6S A6D A6Y BCM BCQ BCA BCT BDM BDA BDQ BDT BEM BEA BEQ BET BEK BEJ BWH A4M A4A A4Q A4T A4V A4K BZG A3U A3F A8S A9S A9D A9Y BBM BBK BFM BFK BGA BGQ BHA BHQ BJM BKM BKK BMA BMQ BPM BPK BQA BQQ BSM BSK BTM BTK BUM BVM DDM DEM DEA DEV DEK DAM DAA DBM DBA DBK DCA BYM BBA BBQ BBT BFA BFQ BFT BJA BJQ BKA BKQ BKT BPA BPQ BPT BSA BSQ BST BTA BTQ BTT BUA BVA BVQ DEQ DET DBQ DBT DCQ BLA BLQ BLT BLK DFM DFA DFQ DFT DGU DGF DGS DGP DGL DGD SGY DGG DGM DGA DGQ DGT DGC DGB DGH DGV DGK DGR DGE DHU DHF DHS DHP DHL DHD DHY DHG DHM DHA DHQ DHT DHC DHB DHH DHV DHK DHR DHE DJU DJF DJS DJP DJL DJD DJY DJG DJM DJA DJQ DJT DJC DJB DJH DJV DJK DJR DJE DKG DTT DMV DNV DQS DQD DQY DRS DSS DSD DSY DPC AAU ABU ACU ADU D8A D8Q D8T D9A D9Q D9T E1M E1A E1Q E1T E1K E2M E2A E2Q E2T E2K D6U D6F D2C D3C EKM EKA EKQ EKT EKJ ELM ELA ELQ ELT ELJ EMM EMA EMQ EMT EMK ENM ENA ENQ ENT ENK EGM EGA EGQ EGT EGK EGJ EHM EHA EHQ EHT EJA EJQ EJT EFM EFA EFQ EFT EBU EBF E5U E5F E6U E6F E7U E7F E8U E8F E9U E9F ECS ECP ECD ECY EDS EDP EDD EDY AWU AWF F5M F5A F5Q F5T F5K F5J F6M F6A F6Q F6T F6K F6J F1U F1F F2U F2F F4G F3S F3P F3Y F8A F8Q F8T F9A F9Q F9T FBM FBA FBQ FBK F7G)	41A9665	2

Item #	9439 FRUs	FRU#	CRU Tier
13	Power supply, ATX 310W Power supply Robust; for all countries (models ANV AGM AGA AGT AHM AHA AHT AJM AJA AAU AAF ABU ABF ACU ACF ADU ADF AES AEP AEY AFS AFY AKC ALC AMC AVG AWG B2G B1U B1F APU APF AQU AQF ARU ARF ASU ASF ATU ATF AUU AUF B4S B4D B4Y B6S B6P B6D B6Y B7S B7D B7Y B8U B8F B9U B9F BAU BAF B5S B5D B5Y A2U A2F A5S A5D A5Y A6S A6D A6Y BCM BCQ BCA BCT BDM BDA BDQ BDT BEM BEA BEQ BET BEK BEJ BWH A4M A4A A4Q A4T A4V A4K BZG A3U A3F A8S A9S A9D A9Y BBM BBK BFM BFK BGA BGQ BHA BHQ BJM BKM BKK BMA BMQ BPM BPK BQA BQQ BSM BSK BTM BTK BUM BVM DDM DEM DEA DEV DEK DAM DAA DBM DBA DBK DCA BYM BBA BBQ BBT BFA BFQ BFT BJA BJQ BKA BKQ BKT BPA BPQ BPT BSA BSQ BST BTA BTQ BTT BUA BVA BVQ DEQ DET DBQ DBT DCQ BLA BLQ BLT BLK DFM DFA DFQ DFT DGU DGF DGS DGP DGL DGD SGY DGG DGM DGA DGQ DGT DGC DGB DGH DGV DGK DGR DGE DHU DHF DHS DHP DHL DHD DHY DHG DHM DHA DHQ DHT DHC DHB DHH DHV DHK DHR DHE DJU DJF DJS DJP DJL DJD DJY DJG DJM DJA DJQ DJT DJC DJB DJH DJV DJK DJR DJE DKG DTT DMV DNV DQS DQD DQY DRS DSS DSD DSY DPC AAU ABU ACU ADU D8A D8Q D8T D9A D9Q D9T E1M E1A E1Q E1T E1K E2M E2A E2Q E2T E2K D6U D6F D2C D3C EKM EKA EKQ EKT EKJ ELM ELA ELQ ELT ELJ EMM EMA EMQ EMT EMK ENM ENA ENQ ENT ENK EGM EGA EGQ EGT EGK EGJ EHM EHA EHQ EHT EJA EJQ EJT EFM EFA EFQ EFT EBU EBF E5U E5F E6U E6F E7U E7F E8U E8F E9U E9F ECS ECP ECD ECU EDS EDP EDD EDY AWU AWF F5M F5A F5Q F5T F5K F5J F6M F6A F6Q F6T F6K F6J F1U F1F F2U F2F F4G F3S F3P F3Y F8A F8Q F8T F9A F9Q F9T FBM FBA FBQ FBK F7G)	41A9726	2

The FRUs listed in the following tables are not illustrated.

9439 FRUs	FRU#	CRU Tier
Shield, 5.25 EMC (all models)	41N8080	2
Shield, diskette drive EMC (all models)	41N8078	2
Cable, Diskette drive (RoHs) (all models)	41A7182	2
Cabel SATA 457mm (RoHS)(TOWER) (all models)	43N9013	2
Cabel ,SATA 250mm (RoHS)(TOWER) (all models)	43N9012	2
Cover, left side (all models)	41N8050	2
Retainer, Card Reader (all models)	41R2913	2
Fan, front (all models)	41R4791	2
Optional HDD Bracket Asm, without 4Pin cable (all models)	41R6106	2
Intrusion Switch asm (all models)	41R6116	2
Hard disk drive tray (all models)	41R6291	2
Planer shield, Atx 946, with usb number (all models)	41R6378	N
Temperature Sense cable (460 mm) (all models)	41R2509	2
Asm Chassis Without IBM Mark Atlantic (all models)	41R6408	N
Card reader retainer (all models)	43N9351	2
Blank 5.25" Bezel (all models)	41N8077	2
Cable Clip, FW-6D (all models)	43N9462	2
Fru,Tamdhu chassis primary HDD cage (all models)	45K6272	1

9439 FRUs	FRU#	CRU Tier
Fru,Tamdhru ruber foot(For acoustic improvement) (all models)	45K6278	2
BATTERY 3V-LITHIUM (TOWER,ROCKYS,LX-607) (models ANV AGM AGA AGT AHM AHA AHT AJM AJA AAU AAF ABU ABF ACU ACF ADU ADF AES AEP AEU AFS AFY AKC ALC AMC AVG AWG B2G B1U B1F APU APF AQU AQF ARU ARF ASU ASF ATU ATF AUU AUF B4S B4D B4Y B6S B6P B6D B6Y B7S B7D B7Y B8U B8F B9U B9F BAU BAF B5S B5D B5Y A2U A2F A5S A5D A5Y A6S A6D A6Y BCM BCQ BCA BCT BDM BDA BDQ BDT BDJ BEM BEA BEQ BET BEK BEJ BWH A4M A4A A4Q A4T A4V A4K A4J BZG A3U A3F A8S A9S A9D A9Y BBM BBK BFM BFK BFJ BGA BGQ BHA BHQ BJM BKM BKK BKJ BMA BMQ BPM BPK BPJ BQA BQQ BSM BSK BSJ BTM BTK BTJ BUM BVM DDM DEM DEA DEV DEK DEJ DAM DAA DBM DBA DBK DBJ DCA BYM BBA BBQ BBT BFA BFQ BFT BJA BJQ BKA BKQ BKT BPA BPQ BSA BSQ BST BTA BTQ BTT BUA BVA BVQ DEQ DET DBQ DBT DCQ BLA BLQ BLT BLK DFM DFA DFQ DFT DGU DGF DGS DGP DGL DGD SGY DGG DGM DGA DQG DGT DGC DGB DGH DGV DGK DGR DGE DGJ DHU DHF DHS DHP DHL DHD DHY DHG DHM DHA DHQ DHT DHC DHB DHH DHV DHK DHR DHE DHJ DJU DJF DJS DJP DJL DJD DJY DJG DJM DJA DJQ DJT DJC DJB DJH DJV DJK DJR DJE DJJ DKG DTA DTQ DTT DMV DNV DQS DQD DQY DRS DSS DSD DSY DPC AAU AAA ABU ACU ADU D8A D8Q D8T D9A D9Q D9T E1M E1A E1Q E1T E1K E1J E2M E2A E2Q E2T E2K E2J D6U D6F D2C D3C EKM EKA EKQ EKT EKJ ELM ELA ELQ ELT ELJ EMM EMA EMQ EMT EMK ENM ENA ENQ ENT ENK EGM EGA EGQ EGT EGK EGJ EHM EHA EHQ EHT EJA EJQ EJT EFM EFA EFQ EFT EBU EBF E5U E5F E6U E6F E7U E7F E8U E8F E9U E9F ECS ECP ECD ECU EDS EDP EDD EDY AWU AWF F5A F5Q F5T F5K F5J F6M F6A F6Q F6T F6K F6J F1U F1F F2U F2F F4G F3S F3P F3Y F8A F8Q F8T F9A F9Q F9T FBM FBA FBQ FBK F7G)	45C1566	N

9439 Keyboard (Lenovo USB Preferred -- without hub)	FRU#	CRU Tier
US English (models)	41A5039	1
Arabic (models)	41A5040	1
Arabic/French (models)	41A5041	1
Belgian/French (models)	41A5042	1
Belgian/English (models)	41A5043	1
Brazilian Portuguese (models)	41A5044	1
Bulgarian (models)	41A5045	1
Chinese/US (models)	41A5046	1
Czech (models)	41A5047	1
Danish (models)	41A5048	1
Dutch (models)	41A5049	1
French (models)	41A5050	1
French Canadian (models)	41A5051	1
French Canadian (models)	41A5052	1
German (models)	41A5053	1
Greek (models)	41A5054	1
Greek/US (models)	41A5080	1
Hebrew (models)	41A5055	1
Hungarian (models)	41A5056	1
Iceland (models)	41A5057	1
Italian (models)	41A5058	1

9439 Keyboard (Lenovo USB Preferred -- without hub)	FRU#	CRU Tier
Japanese (models)	41A5059	1
Korean (models)	41A5060	1
LA Spanish (models)	41A5061	1
Norwegian (models)	41A5062	1
Polish (models)	41A5063	1
Portuguese (models)	41A5064	1
Romanian (models)	41A5065	1
Russian/Cyrillic (models)	41A5066	1
Serbian/Cyrillic (models)	41A5067	1
Slovak (models)	41A5068	1
Spanish (models)	41A5069	1
Swedish/Finnish (models)	41A5070	1
Swiss (models)	41A5071	1
Thailand (models)	41A5072	1
Turkish (models)	41A5073	1
Turkish (models)	41A5074	1
UK English (models)	41A5075	1
US Euro (models)	41A5076	1
Slovenian (models)	41A5077	1

9439 Keyboard (Lenovo USB Preferred -- without hub)	FRU#	CRU Tier
US English (models AAU ABU ACU ADU AGM AGA AHM AHA AJM AJA AVG AWG B2G B1U APU AQU ARU ASU ATU AUU B8U B9U BAU A2U BCM BCA BCQ BDM BDA BDQ BEM BEA BEQ BWH A4M A4A A4Q BZG A3U BBM BFM BGA BGQ BHA BHQ BJM BKM BMA BMQ BPM BQA BQQ BSM BTM BUM BVM DDMDEM DEA DAM DAA DBM DBA DCA BYM BBA BBQ BFA BFQ BJA BJQ BKA BKQ BPA BPQ BSA BSQ BTA BTQ BUA BVA BVQ DEQ DBQ DCQ BLA BLQ DFM DFA DFQ DGU DGG DGM DGA DGQ DHU DHG DHM DHA DHQ DJU DJG DJM DJQ DJA DKG AAU ABU ACU ADU D8A D8Q D9A D9Q E1M E1A E1Q E2M E2A E2Q D6U EKM EKA EKQ ELM ELA ELQ EMM EMA EMQ ENM ENA ENQ EGM EGA EGQ EHM EHA EHQ EJA EJQ EFM EFA EFQ EBU E5U E6U E7U E8U E9U AWU F5M F5A F5Q F6M F6A F6Q F1U F2U)	41A5289	1
Arabic (models)	41A5290	1
Arabic/French (models AVG AWG B2G BZG DGG DHG DJG DKG F4G)	41A5291	1
Belgian/French (models AVG AWG B2G BZG DGG DHG DJG DKG F4G)	41A5292	1
Belgian/UK (models AVG AWG B2G BZG DGG DHG DJG DKG F4G)	41A5293	1
Brazilian Portuguese (models B6P AEP DGP DHP DJP ECP EDP F3P)	41A5294	1
Bulgarian (models AVG AWG B2G BZG DGG DHG DJG DKG F4G)	41A5295	1
Chinese/US (models B6P AEP DGP DHP DJP ECP EDP)	41A5296	1
Czech (models AVG AWG B2G BZG DGG DHG DJG DKG F4G)	41A5297	1
Danish (models AVG AWG B2G BZG DGG DHG DJG DKG F4G)	41A5298	1
Dutch (models AVG AWG B2G BZG DGG DHG DJG DKG F4G)	41A5299	1

9439 Keyboard (Lenovo USB Preferred -- without hub)	FRU#	CRU Tier
French (models AVG AWG B2G BZG DGG DHG DJG DKG F4G)	41A5300	1
French Canadian (models AAF ABF ACF ADF B1F APF AQF ARF ASF ATF AUF B8F B9F BAF A2F A3F DGF DHF DJF D6F EBF E5F E6F E7F E8F E9F AWF F1F F2F)	41A5301	1
French Canadian (models AAF ABF ACF ADF B1F APF AQF ARF ASF ATF AUF B8F B9F BAF A2F A3F DGF DHF DJF D6F EBF E5F E6F E7F E8F E9F AWF F1F F2F)	41A5302	1
German (models AVG AWG B2G BZG DGG DHG DJG DKG F4G)	41A5303	1
Greek (models AVG AWG B2G BZG DGG DHG DJG DKG F4G)	41A5304	1
Greek/US (models AVG AWG B2G BZG DGG DHG DJG DKG F4G)	41A5305	1
Hebrew (models AVG AWG B2G BZG DGG DHG DJG DKG F4G)	41A5306	1
Hungarian (models AVG AWG B2G BZG DGG DHG DJG DKG F4G)	41A5307	1
Iceland (models AVG AWG B2G BZG DGG DHG DJG DKG F4G)	41A5308	1
Italian (models AVG AWG B2G BZG DGG DHG DJG DKG F4G)	41A5309	1
Japanese (models BDJ BEJ A4J BFJ BKJ BPJ BSJ BTJ DEJ DBJ DGJ DHJ DJJ E1J E2J EKJ ELJ EGJ F5J F6J)	41A5310	1
Korean (models BEK A4K BBK BFK BKK BPK BSK BTK DEK DBK BLK DGK DHK DJK E1K E2K EMK ENK EGK F5K F6K)	41A5311	1
LA Spanish (models AES AEY AFS AFY B4S B4D B4Y B6S B6D B6Y B7S B7D B7Y B5S B5D B5Y A5S A5D A5Y A6S A6D A6Y A8S A9S A9D A9Y DGS DGL DGD SGY DGS DGD DGY DHS DHD DHY DJS DJD DJY DQS DQD DQY DRS DSS DSD DSY ECS ECD ECY EDS EDD EDY F3S F3Y)	41A5312	1
Norwegian (models AVG AWG B2G BZG DGG DHG DJG DKG F4G)	41A5313	1
Polish (models AVG AWG B2G BZG DGG DHG DJG DKG F4G)	41A5314	1
Portuguese (models AVG AWG B2G BZG DGG DHG DJG DKG F4G)	41A5315	1
Romanian (models AVG AWG B2G BZG DGG DHG DJG DKG F4G)	41A5317	1
Russian/Cyrillic (models AVG AWG B2G BZG DGG DHG DJG DKG F4G)	41A5318	1
Serbian/Cyrillic (models AVG AWG B2G BZG DGG DHG DJG DKG F4G)	41A5319	1
Slovak (models AVG AWG B2G BZG DGG DHG DJG DKG F4G)	41A5320	1
Spanish (models AVG AWG B2G BZG DGG DHG DJG DKG F4G)	41A5321	1
Swedish/Finnish (models AVG AWG B2G BZG DGG DHG DJG DKG F4G)	41A5322	1
Swiss (models AVG AWG B2G BZG DGG DHG DJG DKG F4G)	41A5323	1
Thailand (models AHT AGT BCT BDT BET A4T BBT BFT BKT BPT BST BTT DET DBT BLT DFT DGT DHT DJT DTT D8T D9T E1T E2T E3T EKT ELT EMT ENT EGT EHT EJT EFT F5T F6T)	41A5324	1
Turkish (models AVG AWG B2G BZG DGG DHG DJG DKG F4G)	41A5325	1
Turkish (models AVG AWG B2G BZG DGG DHG DJG DKG F4G)	41A5326	1
UK English (models AVG AWG B2G BZG DGG DHG DJG DKG F4G)	41A5327	1
US Euro (models AVG AWG B2G BZG DGG DHG DJG DKG F4G)	41A5328	1
Slovenian (models AVG AWG B2G BZG DGG DHG DJG DKG F4G)	41A5329	1

9439 Keyboard (Lenovo Enhanced Perf, USB Preferred -- with hub)	FRU#	CRU Tier
US English (models)	41A4961	1
Arabic (models)	41A4962	1

9439 Keyboard (Lenovo Enhanced Perf, USB Preferred -- with hub)	FRU#	CRU Tier
Arabic/French (models)	41A4963	1
Belgian French (models)	41A4964	1
Belgium English (models)	41A4965	1
Brazilian Portuguese (models)	41A4966	1
Bulgarian (models)	41A4967	1
Chinese/US (models)	41A4968	1
Czech (ABB) (models)	41A4969	1
Danish (models)	41A4970	1
Dutch (models)	41A4971	1
French (models)	41A4972	1
French Canadian (models)	41A4973	1
French Canadian (models)	41A4974	1
German (models)	41A4975	1
Greek (models)	41A4976	1
Greek/US (models)	41A5078	1
Hebrew (models)	41A4977	1
Hungarian (models)	41A4978	1
Iceland (models)	41A4979	1
Italian (models)	41A4980	1
Japanese (models)	41A4981	1
Korean (models)	41A4982	1
LA Spanish (models)	41A4983	1
Norwegian (models)	41A4984	1
Polish (models)	41A4985	1
Portuguese (models)	41A4986	1
Romanian (models)	41A4987	1
Russian/Cyrilic (models)	41A4988	1
Serbian/Cyrilic (models)	41A4989	1
Slovak (models)	41A4990	1
Spanish (models)	41A4991	1
Swedish/Finnish (models)	41A4992	1
Swiss French/German (models)	41A4993	1
Thailand (models)	41A4994	1
Turkish (models)	41A4995	1
Turkish (models)	41A4996	1
UK English (models)	41A4997	1
US Euro (models)	41A4998	1
Slovenian (models)	41A4999	1

9439 Keyboard (Lenovo Fingerprint Reader USB)	FRU#	CRU Tier
US English (models)	41A5248	1
Arabic (models)	41A5249	1
Arabic/French (models)	41A5250	1
Belgian French (models)	41A5251	1
Belgium English (models)	41A5252	1
Brazilian Portuguese (models)	41A5253	1
Bulgarian (models)	41A5254	1
Chinese/US (models)	41A5255	1
Czech (ABB) (models)	41A5256	1
Danish (models)	41A5257	1
Dutch (models)	41A5258	1
French (models)	41A5259	1
French Canadian (models)	41A5260	1
French Canadian (models)	41A5261	1
German (models)	41A5262	1
Greek (models)	41A5263	1
Greek/US (models)	41A5264	1
Hebrew (models)	41A5265	1
Hungarian (models)	41A5266	1
Iceland (models)	41A5267	1
Italian (models)	41A5268	1
Japanese (models)	41A5269	1
Korean (models)	41A5270	1
LA Spanish (models)	41A5271	1
Norwegian (models)	41A5272	1
Polish (models)	41A5273	1
Portuguese (models)	41A5274	1
Romanian (models)	41A5276	1
Russian/Cyrilic (models)	41A5277	1
Serbian/Cyrilic (models)	41A5278	1
Slovak (models)	41A5279	1
Spanish (models)	41A5280	1
Swedish/Finnish (models)	41A5281	1
Swiss French/German (models)	41A5282	1
Thailand (models)	41A5283	1
Turkish (models)	41A5284	1
Turkish (models)	41A5285	1
UK English (models)	41A5286	1

9439 Keyboard (Lenovo Fingerprint Reader USB)	FRU#	CRU Tier
US Euro (models)	41A5287	1
Slovenian (models)	41A5288	1

9439 mice	FRU#	CRU Tier
Optical Wheel Mouse (400DPI, USB) (all models)	41U3013	1
Optical Wheel Mouse (400DPI, USB) (all models)	41U3030	1
PS/2 Three Button ball mouse (41R0017) (models)	41R0018	1

9439 Adapters and miscellaneous FRUs	FRU#	CRU
Internal USB Memory Card Reader floppy bay (models)	41R3378	2
Internal USB 20 in 1 Memory CardReader floppy bay (models)	45R8139	2
USB Memory Key (models)	43R2296	2
USB Memory Key - 1G RoW (models AES AEP AEY AES AEY)	41U4978	1
ATI HD 2600XT 512MB 128BIT ATX (models)	43C0261	2
IEEE 1394 Firewire Adapter SFF (models)	41D2781	2
Soft Modem V.90/V.44 ATX (models CTO)	46R4220	2
ATI HD 2400PRO 128MB 64BIT DMS59 ATX (models BSM BSK BSJ BSA BSQ BST)	46R4159	2
ATI HD 2400XT 256MB 64BIT DMS59 ATX (models BYM)	46R4160	2
ADD2 DVI Adapter,FH (HDCP) (models BUA DKG)	43C0258	2
ATI HD 2400PRO 128MB 64BIT DMS59 ATX (models BSM BSK BSJ BSA BSQ BST)	43C0259	2
ATI HD 2400XT 256MB 64BIT DMS59 ATX (models BYM)	43C0260	2
DVI-I connection Adapter Full Height(models BUM DHU DHF DHS DHP DHL DHD DHY DHG DHM DHA DHQ DHT DHC DHB DHH DHV DHK DHR DHE DHJ DJU DJF DJS DJP DJL DJD DJY DJG DJM DJA DJQ DJT DJC DJB DJH DJV DJK DJR DJE DJJ E2M E2A E2Q E2T E2K E2J EBU EBF E9U E9F)	39J9334	2
DVI-I connection Adapter Low Profile (models)	39J9334	2
Speaker Power brick - US, Canada, LA low voltage, ASEAN (models AAU ABU ACU ADU AES AFS AGA AHA B1U APU AQU ARU ASU ATU AUU B4S B6S B7S B8U B9U BAU B5S A5S A6S BCA BDA BEA A4A A3U A8S A9S BGA BHA BQA DEA DAA DBA DCA DGU DHU DJU DGS DHS DJS DGA DHA DJA DQS DRS DSS AAU ABU ACU ADU D8A D9A E1A E2A D6U EBU E5U E6U E7U E8U E9U ECS EDS EKA ELA EMA ENA EGA EHA EJA EFA F5A F6A F1U F2U F3S F8A F9A FBA)	89P8571	1
Speaker Power brick - LA high voltage (non-APU) (models B4D B6D B7D B5D A5D A6D A9D A9D DGD DHD DJD DQD ECD EDD)	89P8575	1
Speaker Power brick - China, Thailand (models AKC ALC AMC BCC BDC BEC A4C BCT BDT BET A4T DGT DGC DHT DHC DJC DJT DPC DTT D8T D9T E1T E2T E3T D2C D3C EKT ELT EMT ENT EGT EHT EJT EFT F5T F6T F9T FBT)	89P8581	1
Speaker Power brick - Japan (models BDJ BEJ A4J DGJ DHJ DJJ E1J E2J EKJ ELJ EGJ F5J F6J)	89P8577	1
Speaker Power brick - Brazil (models B6P DGP DHP DJP ECP EDP F3P)	89P8583	1
Speaker Power brick - Argentina (models B4Y B6Y B7Y B5Y A5Y A6Y A9Y DGY DHY DJY DQY DSY EGY EDY)	41A4901	1

9439 Adapters and miscellaneous FRUs	FRU#	CRU
Speaker Power brick - ANZ (modes AGM AHM AJM BCM BDM BEM A4M BBM BFM BJM BKM BPM BSM BTM BUM BVM DDM DEM DAM DBM BYM DFM DGM DHM DJM E1M E2M EKM ELM ENM EMM ENM EGM EHM EFM EFM F5M F6M)	89P8579	1
Speaker Brick - Korea (models BEK A4K BBK BFK BKK BPK BSK BTK DEK DBK DGK DHK DJK E1K E2K EMK ENK EGK F5K F6K)	41A4903	1
Speaker Brick - Hong Kong, EMEA (models BWH DGH DHH DJH DHG DGG DJG DKG F4G F7G)	89P8573	1
Speaker Brick - Taiwan (models DGV DHV DJV DMV DNV)	41A4905	1
Speaker Power brick - India, South Africa (models BCQ BDQ BEQ A4Q BGQ BHQ BMQ BQQ BBQ BFQ BJQ BKQ BPQ BSQ BTQ BVQ DEQ DBQ DCQ BLQ DFQ DGQ DHQ DJQ D8Q D9Q E1Q E2Q EKQ ELQ EMQ ENQ EGQ EHQ EJQ EFQ F5Q F6Q F8Q F9Q FBQ)	89P8585	1
Dongle DMS Dule DMS-59 to dual VGA Cable (models)	42Y8181	2
Dongle DMS Dule DMS-59 to dual DVI Cable (models)	41X6398	2

9439 Line Cords	FRU#	CRU
Line cord - US (models AAU ABU ACU ADU AGA AGT AHA AHT AJA B1U APU AQU ARU ASU ATU AUU B1F APF AQF ARF ASF ATF AUF B4S B6S B7S B4D B6D B7D B8U B8F B9U B9F BAU BAF B5S B5D A5S A5D A6S A6D BCA BCT BDA BDT BEA BET A4A A4T A3U A3F A8S A9S A9D BBA BBT BFA BFT BJA BKA BKT BPA BPT BSA BST BTA BTT BUA BVA DET DBT DCQ BLA BLT DFA DFT DGU DGF DGS DGL DGA DGT DHU DHF DHG DHS DHL DHA DHT DJU DJF DJG DJS DJL DJA DJT DTT AAU ABU ACU ADU D8A D9A E1A E2A D8T D9T E1T E2T E3T D6U D6F EKA ELA EMA ENA EGA EHA EJA EFA EKT EKT ELT EMT ENT EGT EHT EJT EFT EBU E5U E6U E7U E8U E9U EBF E5F E6F E7F E8F E9F ECS EDS ECD EDD F1U F1F F2U F2F F3S F5A F5T F6A F6T F8A F9A FBA F8T F9T)	41R3184	1
Line cord - US (models AAU ABU ACU ADU AGA AGT AHA AHT AJA B1U APU AQU ARU ASU ATU AUU B1F APF AQF ARF ASF ATF AUF B4S B6S B7S B4D B6D B7D B8U B8F B9U B9F BAU BAF B5S B5D A5S A5D A6S A6D BCA BCT BDA BDT BEA BET A4A A4T A3U A3F A8S A9S A9D BBA BBT BFA BFT BJA BKA BKT BPA BPT BSA BST BTA BTT BUA BVA DET DBT DCQ BLA BLT DFA DFT DGU DGF DGS DGL DGA DGT DHU DHF DHG DHS DHL DHA DHT DJU DJF DJG DJS DJL DJA DJT DTT AAU ABU ACU ADU D8A D9A E1A E2A D8T D9T E1T E2T E3T D6U D6F EKA ELA EMA ENA EGA EHA EJA EFA EKT EKT ELT EMT ENT EGT EHT EJT EFT EBU E5U E6U E7U E8U E9U EBF E5F E6F E7F E8F E9F ECS EDS ECD EDD F1U F1F F2U F2F F3S F5A F5T F6A F6T F8A F9A FBA F8T F9T)	41R3185	1
Line cord - China (models AKC ALC AMC DGC DHC DJC DPC D2C D3C)	41R3256	1
Line cord - China (models AKC ALC AMC DGC DHC DJC DPC D2C D3C)	41R3257	1
Line cord - Brazil (models AEP B6P DGP DHP DJP ECP EDP F3P)	41R3270	1
Line cord - Brazil (models AEP B6P DGP DHP DJP ECP EDP F3P)	41R3271	1
Line cord - LA High Volt APU (models AEY AFY B4Y B6Y B7Y B5Y A5Y A6Y A9Y DGY DHY DJY EGY EDY F3Y)	41R3176	1
Line Cord - LA High Volt APU (models AEY AFY B4Y B6Y B7Y B5Y A5Y A6Y A9Y DGY DHY DJY EGY EDY F3Y)	41R3177	1
Line Cord - Korea (models BEK A4K BBK BFK BKK BPK BSK DEK DEK BLK DGK DGR DHR DHK DJR DJK E1K E2K EMK ENK EGK F5K F6K)	41R3260	1
Line Cord - Korea (models BEK A4K BBK BFK BKK BPK BSK DEK DEK BLK DGK DGR DHR DHK DJR DJK E1K E2K EMK ENK EGK F5K F6K)	41R3261	1
Line Cord - UK, Ireland, Singapore, Malaysia, Brunei (models AGA AHA AJA AVG AWG B2G BCA BDA BEA A4A BZG BBA BFA BJA BKA BPA BSA BTA BUA BVA BLA DFA DGG DGA DHA DHG DJA DJG DKG D8A D9A E1A E2A EKA ELA EMA ENA EGA EHA EJA EFA F4G F5A F6A)	41R3224	1

9439 Line Cords	FRU#	CRU
Line Cord - UK, Ireland, Singapore, Malaysia, Brunei (models AGA AHA AJA AVG AWG B2G BCA BDA BEA A4A BZG BBA BFA BJA BKA BPA BSA BTA BUA BVA BLA DFA DGG DGA DHA DHG DJA DJG DKG D8A D9A E1A E2A EKA ELA EMA ENA EGA EHA EJA EFA F4G F5A F6A)	41R3225	1
Line Cord - Taiwan (models ANV A4V DGV DMV DNV)	41R3278	1
Line Cord - Taiwan (models ANV A4V DGV DMV DNV)	41R3279	1
Line Cord - Italy (models AES AEY AFS B4S B6S B7S B4Y B6Y B7Y B5S B5D B5Y A5S A5D A5Y A6S A6D A6Y DGS DGY DHS DHY DJS DJY DQS DQD DQY DRS DSS DSD DSY ECS EDS EGY EDY F3S F3Y)	41R3232	1
Line Cord - Italy (models AES AEY AFS B4S B6S B7S B4Y B6Y B7Y B5S B5D B5Y A5S A5D A5Y A6S A6D A6Y DGS DGY DHS DHY DJS DJY DQS DQD DQY DRS DSS DSD DSY ECS EDS EGY EDY F3S F3Y)	41R3233	1
Line Cord - Indonesia, Laos, Cambodia, and Vietnam (models AGA AHA AJA AVG AWG B2G BCA BDA BEA A4A BZG BCA BDA BEA A4A BBA BFA BJA BKA BPA BSA BTA BUA BVA BLA DFA DGG DGA DKG D8A D9A E1A E2A EKA ELA EMA ENA EGA EHA EJA EFA F4G F5A F6A)	41R3208	1
Line Cord - Indonesia, Laos, Cambodia, and Vietnam (models AGA AHA AJA AVG AWG B2G BCA BDA BEA A4A BZG BCA BDA BEA A4A BBA BFA BJA BKA BPA BSA BTA BUA BVA BLA DFA DGG DGA DKG D8A D9A E1A E2A EKA ELA EMA ENA EGA EHA EJA EFA F4G F5A F6A)	41R3209	1
Line Cord - Denmark (models AVG AWG B2G BZG DGG DHG DJG DKG F4G)	41R3212	1
Line Cord - Denmark (models AVG AWG B2G BZG DGG DHG DJG DKG F4G)	41R3213	1
Line Cord - Switzerland (models AVG AWG B2G BZG DGG DHG DJG DKG F4G)	41R3228	1
Line Cord - Switzerland (models AVG AWG B2G BZG DGG DHG DJG DKG F4G)	41R3229	1
Line Cord - Israel (models AVG AWG B2G BZG DGG DHG DJG DKG F4G)	41R3236	1
Line Cord - Israel (models AVG AWG B2G BZG DGG DHG DJG DKG F4G)	41R3237	1
Line Cord - South Africa (models AGM AHM AJM AGA AHA AJA BCA BDA BEA A4A BCA BDA BEA A4A BBM BJM BKM BPM BSM BTM BUM BVM DDM DEM DAM DBM BYM BBA BFA BJA BKA BPA BTA BUA BVA BLA DFM DFA DGM DGA DHM DHA DJM DJA E1M E2M D8A D9A E1A E2A EKM EKA EKA ELA EMA ENA EGA EHA EJA EFA F5M F5A F6M F6A)	41R3220	1
Line Cord - South Africa (models AGM AHM AJM AGA AHA AJA BCA BDA BEA A4A BCA BDA BEA A4A BBM BJM BKM BPM BSM BTM BUM BVM DDM DEM DAM DBM BYM BBA BFA BJA BKA BPA BTA BUA BVA BLA DFM DFA DGM DGA DHM DHA DJM DJA E1M E2M D8A D9A E1A E2A EKM EKA EKA ELA EMA ENA EGA EHA EJA EFA F5M F5A F6M F6A)	41R3221	1
Line Cord - India (models BGQ BHQ BMQ BQQ BBQ BFQ BJQ BKQ BPQ BSQ BTQ BVQ DEQ DBQ BLQ DFQ DGQ DJQ D8Q D9Q E1Q E2Q EKQ ELQ EMQ ENQ EGQ EHQ EJQ EFQ F5Q F6Q)	41R3341	1
Line Cord - India (models BGQ BHQ BMQ BQQ BBQ BFQ BJQ BKQ BPQ BSQ BTQ BVQ DEQ DBQ BLQ DFQ DGQ DJQ D8Q D9Q E1Q E2Q EKQ ELQ EMQ ENQ EGQ EHQ EJQ EFQ F5Q F6Q)	41R3175	1
Line Cord - Japan (models DGE DGJ E1J E2J EKJ ELJ EGJ F5J F6J)	41R3248	1
Line Cord - Japan (models DGE DGJ E1J E2J EKJ ELJ EGJ F5J F6J)	41R3249	1
Line Cord - ANZ (models DFM DGM DHM DJM E1M E2M EKM F5M F6M)	41R3196	1
Line Cord - ANZ (models DFM DGM DHM DJM E1M E2M EKM F5M F6M)	41R3197	1
Line Cord - Hong Kong (models DGB DGH DHB DHH DJB DJH)	41R3224	1
Line Cord - Hong Kong (models DGB DGH DHB DHH DJB DJH)	41R3225	1

9439 Windows XP Home Recovery CDs	FRU#	CRU
US/UK/AP/TH (models)	TBD	1
FR/CF (models)	TBD	1
GR (models)	TBD	1
IT (models)	TBD	1
BR (models)	TBD	1
SP/LA (models)	TBD	1
DK (models)	TBD	1
NL (models)	TBD	1
AE (models)	TBD	1
SV (models)	TBD	1
HE (models)	TBD	1
FI (models)	TBD	1
NO (models)	TBD	1
PL (models)	TBD	1
PO (models)	TBD	1
RU (models)	TBD	1
RE (models)	TBD	1
HU (models)	TBD	1
CZ (models)	TBD	1
TR (models)	TBD	1
GK (models)	TBD	1
Japanese (models)	TBD	1
Simplified Chinese (models)	TBD	1
Taiwan-TC (models)	TBD	1
Hong Kong-TC (models)	TBD	1
Korean (models)	TBD	1

9439 Windows XP Pro Recovery CDs	FRU#	CRU
US/UK/AP/TH (models B8U B9U BAU BCM BCA BCQ BDM BDA BDQ BEM BEA BEQ DLA DLQ EKM EKA EKQ EMM EMA EMQ EFM EFA EFQ EBU E5U E6U E7U E8U E9U F5M F5A F5Q)	45R0756	1
FR/CF (models B8F B9F BAF A2F EBF E5F E6F E7F E8F E9F)	45R0759	1
GR (models)	45R0760	1
IT (models)	45R0762	1
BR (models ECP F3P)	45R0763	1
SP/LA (models B5S A5S A6S DRS ECS ECD ECY F3S F3Y)	45R0761	1
DK (models)	45R0764	1
NL (models)	45R0767	1
AE (models)	45R2342	1
SV (models)	45R0765	1

9439 Windows XP Pro Recovery CDs	FRU#	CRU
HE (models)	45R2334	1
FI (models)	45R0766	1
NO (models)	45R0770	1
PL (models)	45R0777	1
PO (models)	45R0774	1
RU (models)	45R0773	1
RE (models)	45R2318	1
HU (models)	45R0780	1
CZ (models)	45R0776	1
TR (models)	45R0775	1
GK (models)	45R0772	1
SL (models)	45R2326	1
Japanese (models BDJ BEJ EKJ F5J)	45R0757	1
Simplified Chinese (models)	45R0758	1
Taiwan-TC (models)	45R0768	1
Hong Kong-TC (models)	45R0769	1
Korean (models BEK DLK EMK F5K)	45R0771	1
Multilingual 1 XP-Pro -- EN, NL, FR, GR, IT (models)	45R8246	1
Multilingual 2 XP-Pro -- EN, DK, FI, NO, SV (models)	45R8247	1

9439 Vista Home Basic 32 SP1 Recovery DVDs	FRU#	CRU
English (models BWH EJA EJQ)	46R7273	1
Japanese (models)	46R7274	1
Simplified Chinese (models)	46R7275	1
French (models)	46R7276	1
German (models)	46R7277	1
Spanish (models)	46R7278	1
Italian (models)	46R7279	1
Brazilian Portuguese (models)	46R7280	1
Danish (models)	46R7281	1
Swedish (models)	45R9758	1
Finland (models)	45R9759	1
Dutch (models)	45R9760	1
Traditional Chinese (models)	46R7282	1
Hong Kong (models)	46R7283	1
Norwegian (models)	46R7284	1
Korean (models)	45R9764	1
Slovenian (models)	45R9765	1
Greek (models)	45R9766	1

9439 Vista Home Basic 32 SP1 Recovery DVDs	FRU#	CRU
Russian (models)	46R7285	1
Portuguese (models)	45R9768	1
Turkish (models)	45R9769	1
Czech (models)	45R9770	1
Polish (models)	45R9771	1
Russian English (models)	46R7286	1
Arabic Localized (models)	45R9773	1
Hebrew (models)	45R9774	1
Hungarian (models)	45R9775	1
Slovakian (models)	45R9776	1

9439 Vista Business 32 SP1 Recovery DVDs	FRU#	CRU
English (models AAU ABU ACU ADU AGM AGA AHM AHA AJM AJA AVG AWG B2G B1U APU AQU ARU ASU ATU AUU A4M A4A A4Q BZG A3U A3F BBM BFM BJM BKM BPM BSM BTM BUM BVM DDM DEM DAM DBM BYM BPM DEA DAA DBA DCA BBA BBQ BFA BFQ BJA BJQ BKA BKQ BPA BPQ BSA BSQ BTA BTQ BUA BVA BVQ DEQ DBQ DCQ DFM DFA DFQ DGU DGG DGM DGQ DGA DGH DGR DGE DHU DHG DJM DJA DJQ DJH DJR DJE DKG DTT AAU ABU ACU ADU E1Q E2M E2A E2Q D6U ELM ELA ELQ EMM EMA EMQ ENM ENA ENQ EGM EGA EGQ EHM EHA EHQ AWU F6M F6A F6Q F1U F2U F4G)	46R7287	1
Japanese (models A4J BFJ BKJ BPJ BSJ BTJ DEJ DBJ DGJ DHJ DJJ E1J E2J ELJ EGJ F6J)	46R7288	1
Simplified Chinese (models AMC DGC DHC DJC)	46R7289	1
French (models AAF ABF ACF ADF AVG AWG B2G B1F APF AQF ARF ASF ATF AUF DGF DGG DHF DHG DJG DJF DKG D6F AWF F1F F2F F4G)	46R7290	1
German (models AVG AWG B2G BZG DGG DHG DJG DKG F4G)	46R7291	1
Spanish (models AES AEP AEY AFS AFY AVG AWG B2G B6S B6D B6Y B7S B7D B7Y A8S A9S A9D A9Y DGS DGD DGY DHD DHS DHY DJS DJD DJY DSS DSD DSY EDS EDD EDY)	46R7292	1
Italian (models AVG AWG B2G BZG DGG DHG DJG DKG F4G)	46R7293	1
Brazilian Portuguese (models AVG AWG B2G BZG DGG DHG DJG DKG EDP)	46R7294	1
Danish (models AVG AWG B2G BZG DGG DHG DJG DKG F4G)	46R7295	1
Swedish (models AVG AWG B2G BZG DGG DHG DJG DKG F4G)	45R9786	1
Finland (models AVG AWG B2G BZG DGG DHG DJG DKG F4G)	45R9787	1
Dutch (models AVG AWG B2G BZG DGG DHG DJG DKG F4G)	45R9788	1
Traditional Chinese (models ANV A4V DGV DHV DJV DMV DNV)	46R7296	1
Hong Kong (models ANV A4V DGV DHV DJV DMV DNV)	46R7297	1
Norwegian (models AVG AWG B2G BZG DGG DHG DJG DKG F4G)	46R7298	1
Korean (models BBK BFK BKK BPK BSK BTK DEK DGK DHK DJK E1K E2K EMK ENK EGK F6K)	45R9792	1
Slovenian (models AVG AWG B2G BZG DGG DHG DJG DKG F4G)	45R9793	1
Greek (models AVG AWG B2G BZG DGG DHG DJG DKG F4G)	45R9794	1
Russian (models AVG AWG B2G BZG DGG DHG DJG DKG F4G)	46R7299	1
Portuguese (models AVG AWG B2G BZG DGG DHG DJG DKG F4G)	45R9796	1
Turkish (models AVG AWG B2G BZG DGG DHG DJG DKG F4G)	45R9797	1

9439 Vista Business 32 SP1 Recovery DVDs	FRU#	CRU
Czech (models AVG AWG B2G BZG DGG DHG DJG DKG F4G)	45R9798	1
Polish (models AVG AWG B2G BZG DGG DHG DJG DKG F4G)	45R9799	1
Russian English (models AVG AWG B2G BZG DGG DHG DJG DKG F4G)	46R7300	1
Arabic Localized (models)	45R9801	1
Hebrew (models AVG AWG B2G BZG DGG DHG DJG DKG F4G)	45R9802	1
Romanian (models AVG AWG B2G BZG DGG DHG DJG DKG F4G)	45R9803	1
Hungarian (models AVG AWG B2G BZG DGG DHG DJG DKG F4G)	45R9804	1
Slovakian (models AVG AWG B2G BZG DGG DHG DJG DKG F4G)	45R9805	1
Serbian-Latin (models)	45R9806	1

9439 Vista VHP SP1 Recovery DVDs	FRU#	CRU
English (models)	46R7315	1
Japanese (models)	46R7316	1
Simplified Chinese (models)	46R7317	1
French (models)	46R7318	1
German (models)	46R7319	1
Spanish (models)	46R7320	1
Italian (models)	46R7321	1
Brazilian Portuguese (models)	46R7322	1
Danish (models)	46R7323	1
Swedish (models)	45R9844	1
Finland (models)	45R9845	1
Dutch (models)	45R9846	1
Traditional Chinese (models)	46R7324	1
Hong Kong (models)	46R7325	1
Norwegian (models)	46R7326	1
Korean (models)	45R9850	1
Slovenian (models)	45R9851	1
Greek (models)	45R9852	1
Russian (models)	46R7327	1
Portuguese (models)	45R9854	1
Turkish (models)	45R9855	1
Czech (models)	45R9856	1
Polish (models)	45R9857	1
Russian English (models)	46R7328	1
Arabic Localized (models)	45R9859	1
Hebrew (models)	45R9860	1
Romanian (models)	45R9861	1
Hungarian (models)	45R9862	1

9439 Vista VHP SP1 Recovery DVDs	FRU#	CRU
Slovakian (models)	45R9863	1
Serbian-Latin (models)	45R9864	1

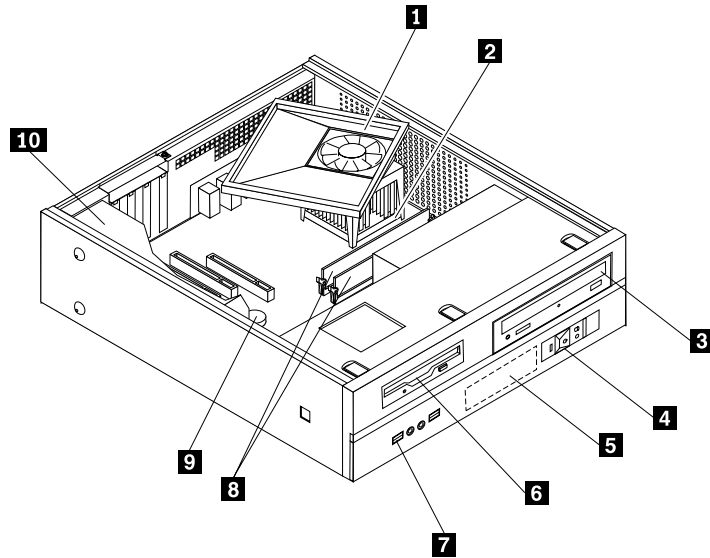
9439 Vista Business 64 SP1 Recovery DVDs	FRU#	CRU
English (models)	46R7301	1
Russian English (models)	46R7302	1
French (models)	46R7303	1
German (models)	46R7304	1
Spanish (models)	46R7305	1
Brazilian Portuguese (models)	46R7306	1
Italian (models)	46R7307	1
Japanese (models)	46R7308	1
Norwegian (models)	46R7309	1
Swedish (models)	45R9816	1
Danish (models)	45R9817	1
Dutch (models)	45R9818	1
Czech (models)	46R7310	1
Finnish (models)	46R7311	1
Polish (models)	46R7312	1
Russian (models)	45R9822	1
Turkish (models)	45R9823	1
Hungarian (models)	45R9824	1
Greek (models)	45R9825	1
Simplified Chinese (models)	46R7313	1
Taiwan (models)	45R9827	1
HongKong (models)	45R9828	1
Korea (models)	45R9829	1
Slovenian (models)	46R7314	1
Portuguese (models)	45R9831	1
Arabic Localized (models)	45R9832	1
Hebrew (models)	45R9833	1
Slovakian (models)	45R9834	1

9439 Vista Ultimate 32 SP1 Recovery DVDs	FRU#	CRU
English (models)	46R7329	1
Japanese (models)	46R7330	1
Simplified Chinese (models)	46R7331	1
French (models)	46R7332	1
German (models)	46R7333	1

9439 Vista Ultimate 32 SP1 Recovery DVDs	FRU#	CRU
Spanish (models)	46R7334	1
Italian (models)	46R7335	1
Brazilian Portuguese (models)	46R7336	1
Danish (models)	46R7337	1
Swedish (models)	45R9874	1
Finland (models)	45R9875	1
Dutch (models)	45R9876	1
Traditional Chinese (models)	46R7338	1
Hong Kong (models)	46R7339	1
Norwegian (models)	46R7340	1
Korean (models)	45R9880	1
Slovenian (models)	45R9881	1
Greek (models)	45R9882	1
Russian (models)	46R7341	1
Portuguese (models)	45R9884	1
Turkish (models)	45R9885	1
Czech (models)	45R9886	1
Polish (models)	45R9887	1
Russian English (models)	46R5089	1
Arabic Localized (models)	46R7342	1
Hebrew (models)	45R9890	1
Hungarian (models)	45R9891	1
Slovakian (models)	45R9892	1

9439 Vista Starter 32 Recovery DVDs	FRU#	CRU
English (models)	46R5059	1

Machine Type 9481



Item #	9481 FRUs	FRU#	CRU
1	Heat Sink/RM Kit Intel Prescott (all models)	41N8261	2
2	Microprocessor, Celeron 420 CONROE-L 800/1600MHZ-512K,LGA,EM64T (models A1U A1F A5U BCP)	43C3835	N
2	Microprocessor, Celeron 430 CONROE-L 800/1800MHZ-512K,LGA,EM64T (models ANG ARS ARD ARY BDP BEP DMJ DNJ DLM DLA DLQ DLT DLK DLJ DMJ DNJ DPJ DQJ BSM BUM BUA BUQ BUT BUK BUJ BTM BTA BTQ BTT BTJ E2P E3P E4P)	43C1964	N
2	Microprocessor, Celeron 440 CONROE-L 800/2000MHZ-512K,LGA,EM64T (models JRS JRY)	43C1965	N
2	Microprocessor, Pentium Dual-core E2140 CONROE-L 800/1600MHZ-1M, LGA, EM64T (models)	43C1967	N
2	Microprocessor, Pentium Dual-core E2160 CONROE-L 800/1800MHZ-1M, LGA, EM64T (models ACA ADK AAS AAP AAY ASS ASD ASY A6U A6F BJP BKP B2M B2Q D1J A4U A4F BGP BHP BLP B3M B3Q B3K B3J B4A B4Q D4J B2A B2T B3A B3T B5A B5Q D4J BVM BVA BVQ BVT)	43C1968	N
2	Microprocessor, Core 2 DuoE4400 L2 CONROE 800/2000MHZ-2M, LGA, EM64T (models)	43C2056	N
2	Microprocessor, Core 2 Duo E6400 B2 CONROE 1066/2130MHZ-2M, LGA, EM64T L2 Value (models)	41X2496	N
2	Microprocessor, Pentium Dual-core E2200 CONROE-L 800/2200MHZ-1M, LGA, EM64T - NPI (models CTO)	45C5349	N
2	Microprocessor, Pentium Dual-core E2180 CONROE-L 800/2000MHZ-1M, LGA, EM64T - NPI (models CTO)	45C1773	N
2	Microprocessor, Pentium Dual-core E2220 CONROE-L 800/2400MHZ-1M, LGA, EM64T - NPI (models CTO)	45C1774	N
2	Microprocessor, Core 2 Duo E4600 M0 CONROE 800/2400MHZ-2M, LGA, EM64T - NPI (models CTO)	45C5282	N
2	Microprocessor, Core 2 Duo E4500 M0 CONROE 800/2200MHZ-2M, LGA, EM64T (models CTO)	43C6305	N

Item #	9481 FRUs	FRU#	CRU
2	Microprocessor, Core 2 Duo E6850 G0 CONROE 1333/3000MHZ-4M, LGA, EM64T (models CTO)	43C1694	N
2	Microprocessor, Core 2 Duo E6750 G0 CONROE 1333/2660MHZ-4M, LGA, EM64T (models CTO)	43C1693	N
2	Microprocessor, Core 2 Duo E6550 G0 CONROE 1333/2330MHZ-4M, LGA, EM64T (models CTO)	43C3833	N
2	Microprocessor, Core 2 Quad G-0 Q6700 KENTSFIELD 1066/2660MHZ-8M (models CTO)	43C6309	N
2	Microprocessor, Core 2 Quad G-0 Q6600 KENTSFIELD 1066/2400MHZ-8M (models CTO)	43C1695	N
2	Microprocessor, Core 2 Duo E8500 WOLFDAL E 1333/3160MHZ-6M (models CTO)	45C7735	N
2	Microprocessor, Core 2 Duo E8400 WOLFDAL E 1333/3000MHZ-6M (models CTO)	45C7736	N
2	Microprocessor, Core 2 Duo E8200 WOLFDAL E 1333/2660MHZ-6M (models CTO)	45C7738	N
2	Microprocessor, Core 2 Duo E8190 WOLFDAL E 1333/2660MHZ-6M - NON VT/Vpro (models CTO)	45R2568	N
2	Microprocessor, Core 2 Quad Q9550 C-1 YORKFIELD 2.83GHz 1333MHZ FSB 12M L2 (models CTO)	45C7739	N
2	Microprocessor, Core 2 Quad Q9450 C-1 YORKFIELD 2.66GHz 1333MHZ FSB 12M L2 (models CTO)	45C7740	N
2	Microprocessor, Core 2 Quad Q9300 M-1 YORKFIELD 2.5GHz 1333MHZ FSB 6M L2 (models CTO)	45C7741	N
2	Microprocessor, Core 2 Duo E8300 C-0 WOLFDAL E 2.83GHz 1333MHZ FSB 6M L2 (models CTO)	45C7737	N
2	Microprocessor, Core 2 Duo E7300 M-0 2.66GHz 1066MHz FSB 3M L2 (models CTO)	46R1622	N
2	Microprocessor, Core 2 Duo E7200 M-0 2.53GHz 1066MHz FSB 3M L2 (models CTO)	45R8337	N
2	Microprocessor, Core 2 Duo E4700 G-0 2.6GHz 800MHz FSB 2M L2 (models CTO)	45R5786	N
2	Microprocessor, Celeron Dual Core E1400 M-0 2.0GHz 800MHz FSB 512K L2 (models CTO)	45R8339	N
2	Microprocessor, Celeron Dual Core E1200 M-0 1.6GHz 800MHz FSB 512K L2, LGA, EM64T - NPI (models CTO JMG JNS JNY JPS JPP JPY JQS JQP JQY)	45R8341	N
2	Microprocessor, Core 2 Duo E8600 E-0 WOLFDAL E 3.33GHz 1333MHZ FSB 6M L2 (models CTO)	46R8640	N
3	DVD-ROM Drive - 16x/48x - SATA Vista & non-Vista (models AMV ACA ADK AKK AAS AAP AAY ALC ARS ARD ARY AVS AVP AVD AVY AWS AWD AWY ASS ASD ASY A1U A1F BDP BPP BBM BBQ BBV BWH A5U A5F BCP BFP BGP DAM DAQ DAK DAJ D4J DMJ BBA BBT DAA DAT B5A B5Q B9A B9Q DFM DFA DFQ DFT DFK DFJ DVJ D4J DMJ DQJ BSM BVM BVA BVQ BVT E7P E6P E1C F8A F8Q F8T F6C J1U J1F J3U J3F J6U J6F J8S J8P J8Y J9S J9P J9D J9Y JCU JCF JJS JJP JJY JPS JPP JPY JRS JRY)	41N3325	2
3	DVD-ROM/CD-RW Combo Drive - 48x/32x/48x/16x - SATA Vista & non-Vista (models ABS ABY ANG ATA ATP ATD ATY A2U A2F A6U A6F BAU BAF BEP BJP BKP BQP A3U A3F A4U A4F A9U A9F BHP BLP BMP A9U A9F A9S A9P A9L A9D A9Y A9G A9M A9A A9Q A9T A9C A9B A9H A9V A9K A9R A9E A9J D6U D6F D6S D6P D6L D6D D6Y D6G D6M D6A D6Q D6T D6C D6B D6H D6V D6K D6R D6E D6J D5U D5F D5S D5P D5L D5D D5Y D5G D5M D5A D5Q D5T D5C D5B D5H D5V D5K D5R D5E D5J)	42Y9353	2

Item #	9481 FRUs	FRU#	CRU
3	DVD-RW/CD-RW Rambo 8 - SATA Vista & non-Vista (models AEM AEA AFT AFJ AGM AGJ AHK B1G APG AUS AUD AUJ A7U A7F B2M B2Q B6M B6Q D1J D2J DKG A8U A8F BNP BRP B3M B3Q B3K B3J B4A B4Q B8A B8Q DBM DBQ DBJ DCA DCQ DDM DDQ DEA DEQ DHM DJM DNJ B2A B2T B6A B6T B3A B3T DBA DBT DDA DDT DLM DLA DLQ DLT DLK DLJ B7M B7A DGM DGA DGQ DGT DGJ DRM DRA DRQ DRT DRK DRJ DWJ D3J DSM DSA DSJ DTM DTA DTJ DUM DUA DUQ DUT DUK DUJ DNJ DPJ BUM BUA BUQ BUT BUK BUJ BTM BTA BTQ BTT BTJ E3P E4P E5P E6P E8S F9M F9A F9Q F9T F9K F9J H1M H1J F2U F2F F7G F1S F1P F1D F1Y F3S F3D F3Y F4S F4P F4D F4Y F5S F5P F5D F5Y J2U J2F J4U J4F J5U J5F J7U J7F JBS JBP JBD JBY JKM JKA JKQ JKT JKK JKJ JLM JLA JLQ JLT JLK JLJ JDU JDF JFG JGS JGP JGY JHS JHP JHY JMG JQS JQP JQY)	43C1042	2
4	Front Power/LED PC, bracket, and cable (all models)	41N8213	2
5	Hard disk drive, SATA 80GB 7200RPM/3Gb/8MB (models AAS AAP AAY ARS ARD ARY AVS AVP AVD AVY AWS AWD AWY ASS ASD ASY BCP D4J DMJ DNJ B5A B5Q B9A B9Q D4J DMJ DNJ BSM BUM BUA BUQ BUT BUK BUJ BTM BTA BTQ BTT BTJ BVM BVA BVQ BVT)	40Y9034	2
5	Hard disk drive, SATA 160GB 7200RPM/3Gb/8MB (models AMV ACA ADK ABS ABY ALC ANG B1G APG ATS ATP ATD ATY AUS AUD AUJ A1U A1F A2U A2F A6U A6F A7U A7F BAU BAF BDP BEP BJP BKP BPP BQP B2M B2Q B6M B6Q D1J D2J BWH BBM BBQ BBV DKG A5U A5F A3U A3F A4U A4F A8U A8F A9U A9F BFP BGP BHP BLP BMP BNP BRP B3M B3Q B3K B3J B4A B4Q B8A B8Q DAM DAQ DAK DAJ DBM DBQ DBJ DCA DCQ DDM DDQ DEA DEQ B2A B2T B6A B6T BBA BBT B3A B3T DAA DAT DBA DBT DDA DDT DLM DLA DLQ DLT DLK DLJ B7M B7A DFM DFA DFQ DFT DFK DFJ DGM DGA DGQ DGT DGJ DRM DRA DRQ DRT DRK DRJ DVJ D3J DSM DSA DSJ DTM DTA DTJ DUM DUA DUQ DUT DUK DUJ DPJ DQJ A9U A9F A9S A9P A9L A9D A9Y A9G A9M A9A A9Q A9T A9C A9B A9H A9V A9K A9R A9E A9J D6U D6F D6S D6P D6L D6D D6Y D6G D6M D6A D6Q D6T D6C D6B D6H D6V D6K D6R D6E D6J D5U D5F D5S D5P D5L D5D D5Y D5G D5M D5A D5Q D5T D5C D5B D5H D5V D5K D5R D5E D5J E3P E4P E5P E6P E7P E1T F8A F8Q F8T F9M F9A F9Q F9T F9K F9J F2U F2F F7G F1S F1P F1D F1Y F3S F3D F3Y F4S F4P F4D F4Y F5S F5P F5D F5Y J1U J1F J2U J2F J3U J3F J4U J4F J5U J5F J6U J6F J7U J7F J8S J8P J8Y J9S J9P J9D J9Y JKM JKA JKQ JKT JKK JKJ JLM JLA JLQ JLT JLK JLJ JCU JCF JGS JGP JGY JHS JHP JHY JJS JJP JJY JMG JNP JNY JPS JPP JPY JQS JQP JQY JRS JRY)	40Y9035	2
5	Hard disk drive, SATA 320GB 7200rpm SATA/8MB (models AEM AEA AFT AFJ AGM AGJ AHK AKK DHM DJM DWJ H1M H1J)	87H4891	2
6	Diskette drive, 3,5", 1.44MB, 2-mode, (w/bezel) (models AFT AFJ ARS ARD ARY ATS ATP ATD ATY AWS AWD AWY ASS ASD ASY BDP BEP BJP BKP BPP BQP D1J D2J BCP BFP BGP BHP BLP BMP BNP BRP)	40Y9105	2
6	Diskette drive, 3,5", 1.44MB, 2-mode, (w/bezel) (models AFT AFJ ARS ARD ARY ATS ATP ATD ATY AWS AWD AWY ASS ASD ASY BDP BEP BJP BKP BPP BQP D1J D2J BCP BFP BGP BHP BLP BMP BNP BRP)	40Y9107	2
7	Front USB/Audio with bracket (all models)	41N8212	2
8	Memory module, 512 MB PC-5300 (667MHz) DDR2 SDRAM (models ALC ARS ARD ARY AWS AWD AWY ASS ASD ASY BDP BEP BJP BCP BFP BGP BHP D4J DMJ DNJ B7M B7A D4J DTM DTA DTJ DMJ DNJ BSM BVM BVA BVQ BVT E2P E3P E4P)	41X4255	2

Item #	9481 FRUs	FRU#	CRU
8	Memory module, 1 GB PC-5300 (667MHz) DDR2 SDRAM (models AMV ACA ADK AEM AEA AFT AFJ AGM AGJ AHK AKK AAS AAP AAY ABS ABY ANG B1G APG ATS ATP ATD ATY AUS AUD AUY A1U A1F A2U A2F A6U A6F A7U A7F BAU BAF BKP BPP BQP B2M B2Q B6M B6Q D1J D2J BWH BBM BBQ BBV DKG DKG A5U A5F A3U A3F A4U A4F A8U A8F A9U A9F BLP BMP BNP BRP B3M B3Q B3K B3J B4A B4Q B8A B8Q DAM DAQ DAK DAJ DBM DBQ DBJ DCA DCQ DDM DDQ DEA DEQ DHM DJM B2A B2T B6A B6T BBA BBT B3A B3T DAA DAT DBA DBT DDA DDT DLM DLA DLQ DLT DLK DLJ B5A B5Q B9A B9Q DFM DFA DFQ DFT DFK DFJ DGM DGA DGQ DGT DGJ DRM DRA DRQ DRT DRK DRJ DVJ DWJ D3J DSM DSA DSJ DUM DUA DUQ DUT DUK DUJ DPJ DQJ BUM BUA BUQ BUT BUK BUJ BTM BTA BTQ BTT BTJ A9U A9F A9S A9P A9L A9D A9Y A9G A9M A9A A9Q A9T A9C A9B A9H A9V A9K A9R A9E A9J D6U D6F D6S D6P D6L D6D D6Y D6G D6M D6A D6Q D6T D6C D6B D6H D6V D6K D6R D6E D6J D5U D5F D5S D5P D5L D5D D5Y D5G D5M D5A D5Q D5T D5C D5B D5H D5V D5K D5R D5E D5J E5P E6P E7P E8S E1T F8A F8Q F8T F2U F2F F7G F1S F1P F1D F1Y F3S F3D F3Y F4S F4P F4D F4Y F5S F5P F5D F5Y F6C J1U J1F J2U J2F J3U J3F J7F J8S J8P J8Y J9S J9P J9D J9Y JBS JBP JBD JBY JKM JKA JKQ JKT JKK JLM JLA JLQ JLT JLK JLJ JCU JCF JDU JDF JGS JGP JGY JHS JHP JHY JJS JJP JJY JMG)	41X4256	2
8	Memory module, 2 GB PC-5300 (667MHz) DDR2 SDRAM (models F9M F9A F9Q F9T F9K F9J H1M H1J J4U J4F J5U J5F J6U J6F JFG)	41X4257	2
8	Memory module, 512 MB PC2-6400 (800MHz) DDR2 SDRAM (models)	41X1079	2
8	Memory module, 1GB PC-6400 (800MHz) DDR2 SDRAM (models JNP JNY JPS JPP JPY JQS JQP JQY JRS JRY)	41X1080	2
8	Memory module, 2GB PC-6400 (800MHz) DDR2 SDRAM (models)	41X1081	2
9	System board, Intel G31 mATX GA Level (models AMV ACA ADK AEM AEA AFT AFJ AGM AGJ AHK AKK AAS AAP AAY ABS ABY ALC ANG B1G APG ARS ARD ARY ATS ATP ATD ATY AUS AUD AUY AVS AVP AVD AVY AWS AWD AWY ASS ASD ASY A1U A1F A2U A2F A6U A6F A7U A7F BAU BAF BDP BEP BJP BKP BPP BQP B2M B2Q B6M B6Q D1J D2J BWH BBM BBQ BBV DKG A5U A5F A3U A3F A4U A4F A8U A8F A9U A9F BCP BFP BGP BHP BLP BMP BNP BRP B3M B3Q B3K B3J B4A B4Q B8A B8Q DAM DAQ DAK DAJ DBM DBQ DBJ DCA DCQ DDM DDQ DEA DEQ DHM DJM D4J DMJ DNJ B2A B2T B6A B6T BBA BBT B3A B3T DAA DAT DBA DBT DDA DDT DLM DLA DLQ DLT DLK DLJ B5A B5Q B7M B7A B9A B9Q DFM DFA DFQ DFT DFK DFJ DGM DGA DGQ DGT DGJ DRM DRA DRQ DRT DRK DRJ DVJ DWJ D3J D4J DSM DSA DSJ DTM DTA DTJ DUM DUA DUQ DUT DUK DUJ DMJ DNJ DPJ DQJ BSM BUM BUA BUQ BUT BUK BUJ BTM BTA BTQ BTT BTJ BVM BVA BVQ BVT A9U A9F A9S A9P A9L A9D A9Y A9G A9M A9A A9Q A9T A9C A9B A9H A9V A9K A9R A9E A9J D6U D6F D6S D6P D6L D6D D6Y D6G D6M D6A D6Q D6T D6C D6B D6H D6V D6K D6R D6E D6J D5U D5F D5S D5P D5L D5D D5Y D5G D5M D5A D5Q D5T D5C D5B D5H D5V D5K D5R D5E D5J E2P E3P E4P E5P E6P E7P E8S E1T F8A F8Q F8T F9M F9A F9Q F9T F9K F9J H1M H1J F2U F2F F7G F1S F1P F1D F1Y F3S F3D F3Y F4S F4P F4D F4Y F5S F5P F5D F5Y F6C J1U J1F J2U J2F J3U J3F J4U J4F J5U J5F J6U J6F J7U J7F J8S J8P J8Y J9S J9P J9D J9Y JBS JBP JBD JBY JKM JKA JKQ JKT JKK JKJ JLM JLA JLQ JLT JLK JLJ JCU JCF JDU JDF JFG JGS JGP JGY JHS JHP JHY JJS JJP JJY JMG JNP JNY JPS JPP JPY JQS JQP JQY JRS JRY)	53Y3282	N

Item #	9481 FRUs	FRU#	CRU
10	Power supply, 220 Watt Power Supply - Robust; for all countries except for JP (models AMV ACA ADK AEM AEA AFT AGM AHK AKK AAS AAP AAY ABS ABY ALC ANG B1G APG ARS ARD ARY ATS ATP ATD ATY AUS AUD AUY AVS AVP AVD AVY AWS AWD AWY ASS ASD ASY A1U A1F A2U A2F A6U A6F A7U A7F BAU BAF BDP BEP BJP BKP BPP BQP B2M B2Q B6M B6Q BWH BBM BBQ BBV DKG A5U DKG A5U A5F A3U A3F A4U A4F A8U A8F A9U A9F BCP BFP BGP BHP BLP BMP BNP BRP B3M B3Q B3K B4A B4Q B8A B8Q DAM DAQ DAK DAJ DBM DBQ DCA DCQ DDM DDQ DEA DEQ DHM DJM B2A B2T B6A B6T BBA BBT B3A B3T DAA DAT DBA DBT DDA DDT DLM DLA DLQ DLT DLK B5A B5Q B7M B7A B9A B9Q DFM DFA DFQ DFT DFK DGM DGA DGQ DGT DRM DRA DRQ DRT DRK DSM DSA DTM DTA DUM DUA DUQ DUT DUK BSM BUM BUA BUQ BUT BUK BTM BTA BTQ BTT BVM BVA BVQ BVT A9U A9F A9S A9P A9L A9D A9Y A9G A9M A9A A9Q A9T A9C A9B A9H A9V A9K A9R A9E D6U D6F D6S D6P D6L D6D D6Y D6G D6M D6A D6Q D6T D6C D6B D6H D6V D6K D6R D6E D5U D5F D5S D5P D5L D5D D5Y D5G D5M D5A D5Q D5T D5C D5B D5H D5V D5K D5R D5E E2P E3P E4P E5P E6P E7P E8S E1T F8A F8Q F8T F9M F9A F9Q F9T F9K F9J H1M F2U F2F F7G F1S F1P F1D F1Y F3S F3D F3Y F4S F4P F4D F4Y F5S F5P F5D F5Y F6C J1U J1F J2U J2F J3U J3F J4U J4F J5U J5F J6U J6F J7U J7F J8S J8P J8Y J9S J9P J9D J9Y JBS JBP JBD JBY JKM JKA JKQ JKT JKK JLM JLA JLQ JLT JLK JCU JCF JDU JDF JFG JGS JGP JGY JHS JHP JHY JJS JJP JJY JMG JNP JNY JPS JPP JPY JQS JQP JQY JRS JRY)	41A9689	N
10	Power supply, 220 Watt Power Supply - Japan;only for JP (models AMV ACA ADK AEM AEA AFT AGM AHK AKK AAS AAP AAY ABS ABY ALC ANG B1G APG ARS ARD ARY ATS ATP ATD ATY AUS AUD AUY AVS AVP AVD AVY AWS AWD AWY ASS ASD ASY A1U A1F A2U A2F A6U A6F A7U A7F BAU BAF BDP BEP BJP BKP BPP BQP B2M B2Q B6M B6Q BWH BBM BBQ BBV DKG A5U DKG A5U A5F A3U A3F A4U A4F A8U A8F A9U A9F BCP BFP BGP BHP BLP BMP BNP BRP B3M B3Q B3K B4A B4Q B8A B8Q DAM DAQ DAK DAJ DBM DBQ DCA DCQ DDM DDQ DEA DEQ DHM DJM B2A B2T B6A B6T BBA BBT B3A B3T DAA DAT DBA DBT DDA DDT DLM DLA DLQ DLT DLK B5A B5Q B7M B7A B9A B9Q DFM DFA DFQ DFT DFK DGM DGA DGQ DGT DRM DRA DRQ DRT DRK DSM DSA DTM DTA DUM DUA DUQ DUT DUK BSM BUM BUA BUQ BUT BUK BTM BTA BTQ BTT BVM BVA BVQ BVT A9U A9F A9S A9P A9L A9D A9Y A9G A9M A9A A9Q A9T A9C A9B A9H A9V A9K A9R A9E D6U D6F D6S D6P D6L D6D D6Y D6G D6M D6A D6Q D6T D6C D6B D6H D6V D6K D6R D6E D5U D5F D5S D5P D5L D5D D5Y D5G D5M D5A D5Q D5T D5C D5B D5H D5V D5K D5R D5E E2P E3P E4P E5P E6P E7P E8S E1T F8A F8Q F8T F9M F9A F9Q F9T F9K F9J H1M F2U F2F F7G F1S F1P F1D F1Y F3S F3D F3Y F4S F4P F4D F4Y F5S F5P F5D F5Y F6C J1U J1F J2U J2F J3U J3F J4U J4F J5U J5F J6U J6F J7U J7F J8S J8P J8Y J9S J9P J9D J9Y JBS JBP JBD JBY)	41A9697	N

Item #	9481 FRUs	FRU#	CRU
10	Power supply, 220W 80% Power supply-for all countries (models AMV ACA ADK AEM AEA AFT AGM AHK AKK AAS AAP AAY ABS ABY ALC ANG B1G APG ARS ARD ARY ATS ATP ATD ATY AUS AUD AUY AVS AVP AVD AVY AWS AWD AWY ASS ASD ASY A1U A1F A2U A2F A6U A6F A7U A7F BAU BAF BDP BEP BJP BKP BPP BQP B2M B2Q B6M B6Q BWH BBM BBQ BBV DKG A5U DKG A5U A5F A3U A3F A4U A4F A8U A8F A9U A9F BCP BFP BGP BHP BLP BMP BNP BRP B3M B3Q B3K B4A B4Q B8A B8Q DAM DAQ DAK DAJ DBM DBQ DCA DCQ DDM DDQ DEA DEQ DHM DJM B2A B2T B6A B6T BBA BBT B3A B3T DAA DAT DBA DBT DDA DDT DLM DLA DLQ DLT DLK B5A B5Q B7M B7A B9A B9Q DFM DFA DFQ DFT DFK DGM DGA DGQ DGT DRM DRA DRQ DRT DRK DSM DSA DTM DTA DUM DUA DUQ DUT DUK BSM BUM BUA BUQ BUT BUK BTM BTA BTQ BTT BVM BVA BVQ BVT A9U A9F A9S A9P A9L A9D A9Y A9G A9M A9A A9Q A9T A9C A9B A9H A9V A9K A9R A9E D6U D6F D6S D6P D6L D6D D6Y D6G D6M D6A D6Q D6T D6C D6B D6H D6V D6K D6R D6E D5U D5F D5S D5P D5L D5D D5Y D5G D5M D5A D5Q D5T D5C D5B D5H D5V D5K D5R D5E E2P E3P E4P E5P E6P E7P E8S E1T F8A F8Q F8T F9M F9A F9Q F9T F9K F9J H1M F2U F2F F7G F1S F1P F1D F1Y F3S F3D F3Y F4S F4P F4D F4Y F5S F5P F5D F5Y F6C J1U J1F J2U J2F J3U J3F J4U J4F J5U J5F J6U J6F J7U J7F J8S J8P J8Y J9S J9P J9D J9Y JBS JBP JBD JBY JKM JKA JKQ JKT JKK JKJ JLM JLA JLQ JLT JLK JLJ JCU JCF JDU JDF JFG JGS JGP JGY JHS JHP JHY JJS JJP JJJ JMG JNP JNY JPS JPP JPY JQS JQP JQY JRS JRY)	41A9670	N
10	Power supply, 280W TFX 280W PS ,Active PFC,for RockyS-for all countries (models AMV ACA ADK AEM AEA AFT AGM AHK AKK AAS AAP AAY ABS ABY ALC ANG B1G APG ARS ARD ARY ATS ATP ATD ATY AUS AUD AUY AVS AVP AVD AVY AWS AWD AWY ASS ASD ASY A1U A1F A2U A2F A6U A6F A7U A7F BAU BAF BDP BEP BJP BKP BPP BQP B2M B2Q B6M B6Q BWH BBM BBQ BBV DKG A5U DKG A5U A5F A3U A3F A4U A4F A8U A8F A9U A9F BCP BFP BGP BHP BLP BMP BNP BRP B3M B3Q B3K B4A B4Q B8A B8Q DAM DAQ DAK DAJ DBM DBQ DCA DCQ DDM DDQ DEA DEQ DHM DJM B2A B2T B6A B6T BBA BBT B3A B3T DAA DAT DBA DBT DDA DDT DLM DLA DLQ DLT DLK B5A B5Q B7M B7A B9A B9Q DFM DFA DFQ DFT DFK DGM DGA DGQ DGT DRM DRA DRQ DRT DRK DSM DSA DTM DTA DUM DUA DUQ DUT DUK BSM BUM BUA BUQ BUT BUK BTM BTA BTQ BTT BVM BVA BVQ BVT A9U A9F A9S A9P A9L A9D A9Y A9G A9M A9A A9Q A9T A9C A9B A9H A9V A9K A9R A9E D6U D6F D6S D6P D6L D6D D6Y D6G D6M D6A D6Q D6T D6C D6B D6H D6V D6K D6R D6E D5U D5F D5S D5P D5L D5D D5Y D5G D5M D5A D5Q D5T D5C D5B D5H D5V D5K D5R D5E E2P E3P E4P E5P E6P E7P E8S E1T F8A F8Q F8T F9M F9A F9Q F9T F9K F9J H1M F2U F2F F7G F1S F1P F1D F1Y F3S F3D F3Y F4S F4P F4D F4Y F5S F5P F5D F5Y F6C J1U J1F J2U J2F J3U J3F J4U J4F J5U J5F J6U J6F J7U J7F J8S J8P J8Y J9S J9P J9D J9Y JBS JBP JBD JBY JKM JKA JKQ JKT JKK JKJ JLM JLA JLQ JLT JLK JLJ JCU JCF JDU JDF JFG JGS JGP JGY JHS JHP JHY JJS JJP JJJ JMG JNP JNY JPS JPP JPY JQS JQP JQY JRS JRY)	41A9705	N

The FRUs listed in the following tables are not illustrated.

9481 FRUs	FRU#	CRU
Planer shield, Atx 946,G31 with usb number (all models)	41R6384	N
Shield, EMC, Blank 5.25 (all models)	41N8271	2
Shield, EMC, Blank diskette drive (all models)	41N8273	2
Cover (all models)	41N8204	2
Mechanical shell kit (all models)	41R6387	N
Bezel kit, without IBM logo (all models)	41R6238	2
Miscellaneous hardware kit (all models)	41N8209	2
Hard disk drive bracket assembly (plastic and grommets) (all models)	41N8210	2

9481 FRUs	FRU#	CRU
Hard disk drive fan and bracket asm (all models)	41R6325	2
Speaker cable assembly, 600 mm cable length (all models)	41N8217	2
Fan duct assembly (all models)	41R4808	2
Rear USB 2Ports II LP (R), low profile I/O, 200mm, Rohs (all models)	42Y8006	2
Retention module assembly, Intel (all models)	41A7139	N
Intrusion switch assembly (all models)	41R6208	2
Foot stand (all models)	41R4813	1
Cable, diskette drive (all models)	41A7147	2
Cabel-SATA 250mm (RoHS) (all models)	43N9012	2
Rear Com2 cable II LP(R), low profile I/O, 250mm, Rohs (all models)	42Y8008	2
BATTERY 3V-LITHIUM (TOWER,ROCKYS,LX-607) (models AMV ACA ADK AEM AEA AFT AFJ AGM AGJ AHK AKK AAS AAP AAY ABS ABY ALC ANG B1G APG ARS ARD ARY ATS ATP ATD ATY AUS AUD AUY AVS AVP AVD AVY AWS AWD AWY ASS ASD ASY A1U A1F A2U A2F A6U A6F A7U A7F BAU BAF BDP BEP BJP BKP BPP BQP B2M B2Q B6M B6Q D1J D2J BWH BBM BBQ BBV DKG A5U A5F A3U A3F A4U A4F A8U A8F A9U A9F BCP BFP BGP BHP BLP BMP BNP BRP B3M B3Q B3K B3J B4A B4Q B8A B8Q DAM DAQ DAK DAJ DBM DBQ DBJ DCA DCQ DDM DDQ DEA DEQ DHM DJM D4J DMJ DNJ B2A B2T B6A B6T BBA BBT B3A B3T DAA DAT DBA DBT DDA DDT DLM DLA DLQ DLT DLK DLJ B5A B5Q B7M B7A B9A B9Q DFM DFA DFQ DFT DFK DFJ DGM DGA DGQ DGT DGJ DRM DRA DRQ DRT DRK DRJ DVJ DWJ D3J D4J DSM DSA DSJ DTM DTA DTJ DUM DUA DUQ DUT DUK DUJ DMJ DNJ DPJ DQJ BSM BUM BUA BUQ BUT BUK BUJ BTM BTA BTQ BTT BTJ BVM BVA BVQ BVT A9U A9F A9S A9P A9L A9D A9Y A9G A9M A9A A9Q A9T A9C A9B A9H A9V A9K A9R A9E A9J D6U D6F D6S D6P D6L D6D D6Y D6G D6M D6A D6Q D6T D6C D6B D6H D6V D6K D6R D6E D6J D5U D5F D5S D5P D5L D5D D5Y D5G D5M D5A D5Q D5T D5C D5B D5H D5V D5K D5R D5E D5J E2P E3P E4P E5P E6P E7P E8S E1T F8A F8Q F8T F9M F9A F9Q F9T F9K F9J H1M H1J F2U F2F F7G F1S F1P F1D F1Y F3S F3D F3Y F4S F4P F4D F4Y F5S F5P F5D F5Y F6C J1U J1F J2U J2F J3U J3F J4U J4F J5U J5F J6U J6F J7U J7F J8S J8P J8Y J9S J9P J9D J9Y JBS JBP JBD JBY JKM JKA JKQ JKT JKK JKJ JLM JLA JLQ JLT JLK JIJ JCU JCF JDU JDF JFG JGS JGP JGY JHS JHP JHY JJS JJP JJY JMG JNP JNY JPS JPP JPY JQS JQP JQY JRS JRY)	45C1566	N
Rear USB 2Ports II LP(R), low profile I/O, 350mm, Rohs (all models)	43N9124	2
Fru,Tamdhu chassis primary HDD cage (all models)	45K6272	1
Fru,Tamdhu ruber foot(For acoustic improvement) (all models)	45K6278	2
Temp Sense Cable (165 mm) (all models)	43N9079	2

9481 Keyboard (Lenovo USB Preferred -- without hub)	FRU#	CRU Tier
US English (models)	41A5039	1
Arabic (models)	41A5040	1
Arabic/French (models)	41A5041	1
Belgian/French (models)	41A5042	1
Belgian/English (models)	41A5043	1
Brazilian Portuguese (models)	41A5044	1
Bulgarian (models)	41A5045	1
Chinese/US (models)	41A5046	1
Czech (models)	41A5047	1

9481 Keyboard (Lenovo USB Preferred -- without hub)	FRU#	CRU Tier
Danish (models)	41A5048	1
Dutch (models)	41A5049	1
French (models)	41A5050	1
French Canadian (models)	41A5051	1
French Canadian (models)	41A5052	1
German (models)	41A5053	1
Greek (models)	41A5054	1
Greek/US (models)	41A5080	1
Hebrew (models)	41A5055	1
Hungarian (models)	41A5056	1
Iceland (models)	41A5057	1
Italian (models)	41A5058	1
Japanese (models)	41A5059	1
Korean (models)	41A5060	1
LA Spanish (models)	41A5061	1
Norwegian (models)	41A5062	1
Polish (models)	41A5063	1
Portuguese (models)	41A5064	1
Romanian (models)	41A5065	1
Russian/Cyrillic (models)	41A5066	1
Serbian/Cyrillic (models)	41A5067	1
Slovak (models)	41A5068	1
Spanish (models)	41A5069	1
Swedish/Finnish (models)	41A5070	1
Swiss (models)	41A5071	1
Thailand (models)	41A5072	1
Turkish (models)	41A5073	1
Turkish (models)	41A5074	1
UK English (models)	41A5075	1
US Euro (models)	41A5076	1
Slovenian (models)	41A5077	1

9481 Keyboard (Lenovo USB Preferred -- without hub)	FRU#	CRU Tier
US English (models AEM AEA ACA AGM ANG B1G APG A1U A2U A6U A7U BAU B2M B6M BBM B2Q B6Q BWH BBM BBQ BWH DKG A5U A3U A4U A8U A9U B3M B3Q B4A B4Q B8A B8Q DAM DAQ DBM DBQ DCA DCQ DDM DDQ DEA DEQ DHM DJM B2A B6A BBA B3A DAA DBA DDA DLM DLA DLQ B5A B5Q B7M B7A B9A B9Q DFM DFA DFQ DGM DGA DGQ DRM DRA DRQ DSM DSA DTM DTA DUM DUA DUQ BSM BUM BUA BUQ BTM BTA BTQ BVM BVA BVQ A9U A9G A9A A9Q A9H A9R A9E A6U A6G A6A A6Q A6H A6R A6E A5U A5G A5A A5Q A5H A5R A5E F8A F8Q F9M F9A F9Q H1M F2U F7G J1U J2U J3U J4U J5U J6U J7U JKM JKA JKQ JLM JLA JLQ JCU JDU JFG JMG)	41A5289	1
Arabic (models)	41A5290	1
Arabic/French (models ANG B1G APG DKG A9G D6G D5G F7G JFG JMG)	41A5291	1
Belgian/French (models ANG B1G APG DKG A9G D6G D5G F7G JFG JMG)	41A5292	1
Belgian/English (models ANG B1G APG DKG A9G D6G D5G F7G JFG JMG)	41A5293	1
Brazilian Portuguese (models ATP AVP AAP BDP BEP BJP BKP BPP BQP BCP BFP BGP BHP BLP JGP BMP BNP BRP A9P D6P D5P E2P E3P E4P E5P E6P E7P F1P F4P F5P J8P J9P JBP JHP JJP JNP JPP JQP)	41A5294	1
Bulgarian (models ANG B1G APG DKG A9G D6G D5G F7G JFG JMG)	41A5295	1
Chinese/US (models AMV BBV)	41A5296	1
Czech(ABB) (models ANG B1G APG DKG A9G D6G D5G F7G JFG JMG)	41A5297	1
Danish (models ANG B1G APG DKG F7G JFG JMG)	41A5298	1
Dutch (models ANG B1G APG DKG F7G JFG JMG)	41A5299	1
French (models ANG B1G APG DKG F7G JFG JMG)	41A5300	1
French Canadian (models A1F A2F A6F A7F BAF A5F A3F A4F A8F A9F A9F A6F A5F F2F J1F J2F J3F J4F J5F J6F J7F JCF JDF)	41A5301	1
French Canadian (models A1F A2F A6F A7F BAF A5F A3F A4F A8F A9F A9F A6F A5F F2F J1F J2F J3F J4F J5F J6F J7F JCF JDF)	41A5302	1
German (models ANG B1G APG DKG F7G JFG)	41A5303	1
Greek (models ANG B1G APG DKG F7G JFG JMG)	41A5304	1
Greek/US (models ANG B1G APG DKG F7G JFG JMG)	41A5305	1
Hebrew (models ANG B1G APG DKG F7G JFG JMG)	41A5306	1
Hungarian (models ANG B1G APG DKG F7G JFG JMG)	41A5307	1
Iceland (models ANG B1G APG DKG F7G JFG JMG)	41A5308	1
Italy (models ANG B1G APG DKG F7G JFG JMG)	41A5309	1
Japanese (models AFJ AGJ D1J D2J B3J DAJ DBJ D4J DMJ DNJ DLJ DFJ DGJ DRJ DVJ DWJ D3J D4J DSJ DTJ DUJ DMJ DNJ DPJ DQJ BUJ BTJ A9J A6J A5J F9J H1J JKJ JLJ)	41A5310	1
Korean (models AHK AKK ADK DAK B3K DLK DFK DRK DUK BUK A9K A6K A5K F9K JKK JLK)	41A5311	1
LA Spanish (models AAS AAY ABS ABY ARS ARD ARY ATS ATD ATY AUS AUD AUY AVS AVD AVY A9S A9D A9Y A6S A6D A6Y A5S A5D A5Y F1S F1D F1Y F3S F3D F3Y F4S F4D F4Y F5S F5D F5Y J8S J8Y J9S J9YJ9D JBS JBY JBD JGS JGY JHS HY JJS JJY JNY JPS JPY JQS JQY JRS JRY)	41A5312	1
Norwegian (models ANG B1G APG DKG F7G JFG JMG)	41A5313	1
Polish (models ANG B1G APG DKG F7G JFG JMG)	41A5314	1
Portuguese (models ANG B1G APG DKG F7G JFG JMG)	41A5315	1

9481 Keyboard (Lenovo USB Preferred -- without hub)	FRU#	CRU Tier
Romanian (models ANG B1G APG DKG F7G JFG JMG)	41A5317	1
Russian/Cyrillic (models ANG B1G APG DKG F7G JFG JMG)	41A5318	1
Serbian/Cyrillic (models ANG B1G APG DKG F7G JFG JMG)	41A5319	1
Slovak (models ANG B1G APG DKG F7G JFG JMG)	41A5320	1
Spanish (models ANG B1G APG AWS AWD AWY ASS ASD ASY DKG A9GD6G D5G A9S A6S A5S A9D D6D D5D A9Y D6Y D5Y E8S JFG JMG)	41A5321	1
Swedish/Finnish (models ANG B1G APG DKG F7G JFG JMG)	41A5322	1
Swiss French/German (models ANG B1G APG DKG F7G JFG JMG)	41A5323	1
Thailand (models AFT B2T B6T BBT B3T DAT DBT DDT DLT DFT DGT DRT DUT BUT BTT BVT A9T D6T D5T F8T F9T JKT JLT)	41A5324	1
Turkish (models ANG B1G APG DKG F7G JFG JMG)	41A5325	1
Turkish (models ANG B1G APG DKG F7G JFG JMG)	41A5326	1
UK English (models ANG B1G APG DKG F7G JFG JMG)	41A5327	1
US Euro (models ANG B1G APG DKG F7G JFG JMG)	41A5328	1
Slovenian (models ANG B1G APG DKG F7G JFG JMG)	41A5329	1

9481 Keyboard (Lenovo Enhanced Perf, USB Preferred -- with hub)	FRU#	CRU Tier
US English (models)	41A4961	1
Arabic (models)	41A4962	1
Arabic/French (models)	41A4963	1
Belgian/French (models)	41A4964	1
Belgian/English (models)	41A4965	1
Brazilian Portuguese (models)	41A4966	1
Bulgarian (models)	41A4967	1
Chinese/US (models)	41A4968	1
Czech(ABB) (models)	41A4969	1
Danish (models)	41A4970	1
Dutch (models)	41A4971	1
French (models)	41A4972	1
French Canadian (models)	41A4973	1
French Canadian (models)	41A4974	1
German (models)	41A4975	1
Greek (models)	41A4976	1
Greek/US (models)	41A5078	1
Hebrew (models)	41A4977	1
Hungarian (models)	41A4978	1
Iceland (models)	41A4979	1
Italy (models)	41A4980	1

9481 Keyboard (Lenovo Enhanced Perf, USB Preferred -- with hub)	FRU#	CRU Tier
Japanese (models)	41A4981	1
Korean (models)	41A4982	1
LA Spanish (models)	41A4983	1
Norwegian (models)	41A4984	1
Polish (models)	41A4985	1
Portuguese (models)	41A4986	1
Romanian (models)	41A4987	1
Russian/Cyrillic (models)	41A4988	1
Serbian/Cyrillic (models)	41A4989	1
Slovak (models)	41A4990	1
Spanish (models)	41A4991	1
Swedish/Finnish (models)	41A4992	1
Swiss French/German (models)	41A4993	1
Thailand (models)	41A4994	1
Turkish (models)	41A4995	1
Turkish (models)	41A4996	1
UK English (models)	41A4997	1
US European (models)	41A4998	1
Slovenian (models)	41A4999	1

9481 Keyboard (Lenovo Fingerprint Reader USB)	FRU#	CRU Tier
US English (models)	41A5248	1
Arabic (models)	41A5249	1
Arabic/French (models)	41A5250	1
Belgian/French (models)	41A5251	1
Belgian/English (models)	41A5252	1
Brazilian Portuguese (models)	41A5253	1
Bulgarian (models)	41A5254	1
Chinese/US (models)	41A5255	1
Czech (ABB) (models)	41A5256	1
Danish (models)	41A5257	1
Dutch (models)	41A5258	1
French (models)	41A5259	1
French Canadian (models)	41A5260	1
French Canadian (models)	41A5261	1
German (models)	41A5262	1
Greek (models)	41A5263	1
Greek/US (models)	41A5264	1

9481 Keyboard (Lenovo Fingerprint Reader USB)	FRU#	CRU Tier
Hebrew (models)	41A5265	1
Hungarian (models)	41A5266	1
Iceland (models)	41A5267	1
Italy (models)	41A5268	1
Japanese (models)	41A5269	1
Korean (models)	41A5270	1
LA Spanish (models)	41A5271	1
Norwegian (models)	41A5272	1
Polish (models)	41A5273	1
Portuguese (models)	41A5274	1
Romanian (models)	41A5276	1
Russian/Cyrillic (models)	41A5277	1
Serbian/Cyrillic (models)	41A5278	1
Slovak (models)	41A5279	1
Spanish (models)	41A5280	1
Swedish/Finnish (models)	41A5281	1
Swiss French/German (models)	41A5282	1
Thailand (models)	41A5283	1
Turkish (models)	41A5284	1
Turkish (models)	41A5285	1
UK English (models)	41A5286	1
US European (models)	41A5287	1
Slovenian (models)	41A5288	1

9481 mice	FRU#	CRU
Optical Wheel Mouse (400DPI, USB) (all models)	41U3013	1
Optical Wheel Mouse (400DPI, USB) (all models)	41U3030	1
PS/2 2 Button Ball Mouse (models)	41R0018	1

9481 Adapters and miscellaneous FRUs	FRU#	CRU
Internal USB Memory Card Reader floppy bay (models)	41R3378	2
Internal USB 20 in 1 Memory CardReader floppy bay (models)	45R8139	2
USB Memory Key (models)	43R2296	2
IEEE 1394 Firewire Adapter SFF (models)	41D2781	2
Soft Modem V.90/V.44 SFF (models CTO)	46R4220	2
Internal USB Memory Card Reader Slim (models CTO)	43C9207	1
USB Memory Key - 1G RoW (models)	41U4978	1
ATI HD 2400PRO 128MB 64BIT DMS59 LP (models)	43C0259	2

9481 Adapters and miscellaneous FRUs	FRU#	CRU
ATI HD 2400XT 256MB 64BIT DMS59 LP (models)	43C0260	2
ATI HD 2600XT 512MB 128BIT ATX (models)	43C0261	2
ADD2 DVI Adapter,LP (HDCP) (models)	43C0258	2
DVI-I connection Adapter Full Height (models J2U J2F J5U J5F)	39J9334	2
DVI-I connection Adapter Low Profile (models)	39J9334	2
Speaker Power brick - US, Canada, LA low voltage, ASEAN (models AAS ABS ACA AEA ARS ATS AUS AVS AWS ASS A1U A2U A6U A7U BAU A5U A3U A4U A8U A9U B4A B8A DCA DEA B2A A9S D6S D5S A9U D6U D5U B6A BBA B3A DAA DBA DDA DLA B5A B7A B9A DFA DGA DRA DSA DTA DUA BUA BTA BVA A9A D6A D5A E8S F8A F9A F2U F1S F3S F4S F5S J1U J2U J3U J4U J5U J6U J7U J8S J9S JBS JKA JLA JCU JDU JGS JHS JJS JPS JQS JRS)	89P8571	1
Speaker Power brick - LA high voltage (non-APU) (models ARD ATD AUD AVD AWD ASD A9D D6D D5D F3D F4D F5D J9D JBD)	89P8575	1
Speaker Power brick - China, Thailand (models AFT ALC B2T B2T B6T BBT B3T DAT DBT DDT DLT DFT DGT DRT DUT BUT BTT BVT A9T D6T D5T A9C D6C D5C E1C F8T F9T F6C JKT JLT)	89P8581	1
Speaker Power brick - Japan (models AFJ AGJ D1J D2J B3J DAJ DBJ D4J DMJ DNJ DLJ DFJ DGJ DRJ DVJ DWJ D3J D4J DSJ DTJ DUJ DMJ DNJ DPJ DQJ BUJ BTJ A9J D6J D5J F9J H1J JKJ JLJ)	89P8577	1
Speaker Power brick - Brazil (models BDP BEP BJP BKP BPP BQP BCP BFP BGP BHP BLP BMP BNP BRP A9P D6P D5P E2P E3P E4P E5P E6P E7P F1P F4P F5P J8P J9P JBP JGP JJP JNP JPP JQP)	89P8583	1
Speaker Power brick - Argentina (models J8Y J9Y JBY JYJ JHY JGY JNY JPY JQY JRY)	41A4901	1
Speaker Power brick - ANZ (models AEM AGM B2M B6M BBM B3M DAM DBM DDM DHM DJM DLM B7M DFM DGM DRM DSM DTM DUM BSM BUM BTM BVM A9M D6M D5M F9M H1M JKM JLM)	89P8579	1
Speaker Brick - Korea (models ADK AHK AKK B3K DAK DLK DFK DRK DUK BUK A9K D6K D5K F9K JKK JLK)	41A4903	1
Speaker Brick - Hong Kong, EMEA (models ANG B1G APG BWH DKG A9G D6G D5G F7G JFG JMG)	89P8573	1
Speaker Brick - Taiwan (models BBV A9V A6V A5V A9V A5V A6V)	41A4905	1
Speaker Power brick - India, South Africa (models B2Q B6Q BBQ B3Q B4Q B8Q DAQ DBQ DCQ DDQ DEQ DLQ B5Q B9Q DFQ DGQ DRQ DUQ BUQ BTQ BVQ A9Q D6Q D5Q F8Q F9Q JKQ JLQ)	89P8585	1
Dongle DMS Dule DMS-59 to dual VGA Cable (models)	42Y8181	2
Dongle DMS Dule DMS-59 to dual DVI Cable (models)	41X6398	2

9481 Line Cords	FRU#	CRU
Line cord - US (models ARS ATS AUS AVS ARD ATD AUD AVD AWS AWD ASS ASD A1U A1F A2U A2F A6U A6F A7U A7F BAU BAF A5U A5F A3U A3F A4U A4F A8U A8F B2A B2T B6A B6T BBA BBT B3A B2T B2T B6T BBT B3T DAT DBT DDT DLT DFT DGT DRT DUT BUT BTT BVT A9T D6T D5T B3A DAA DBA DDA DLA B5A B7A B9A DFA DGA DRA DSA DTA DUA BUA BTA BVA A9A D6A D5A A9D D6D D5D A9S D6S D5S A9L D6L D5L A9U D6U D5U A9F D6F D5F E8S F8A F9A F8T F9T F2U F2F F1S F1D F4S F3S F4D J1U J1F J2U J2F J3U J3F J4U J4F J5U J5F J6U J6F J7U J7F J8S J9S JBS J9D JBD JCU JCF JDU JDF JGS JHS JJS JKA JKT JLA JLT JPS JQS JRS)	41R3184	1

9481 Line Cords	FRU#	CRU
Line cord - US (models ARS ATS AUS AVS ARD ATD AUD AVD AWS AWD ASS ASD A1U A1F A2U A2F A6U A6F A7U A7F BAU BAF A5U A5F A3U A3F A4U A4F A8U A8F B2A B2T B6A B6T BBA BBT B3A B2T B2T B6T BBT B3T DAT DBT DDT DLT DFT DGT DRT DUT BUT BTT BVT A9T D6T D5T B3A DAA DBA DDA DLA B5A B7A B9A DFA DGA DRA DSA DTA DUA BUA BTA BVA A9A D6A D5A A9D D6D D5D A9S D6S D5S A9L D6L D5L A9U D6U D5U A9F D6F D5F E8S F8A F9A F8T F9T F2U F2F F1S F1D F4S F3S F4D J1U J1F J2U J2F J3U J3F J4U J4F J5U J5F J6U J6F J7U J7F J8S J9S JBS J9D JBD JCU JCF JDU JDF JGS JHS JJS JKA JKT JLA JLT)	41R3185	1
Line cord - China (models A9C D6C D5C F6C)	41R3256	1
Line cord - China (models A9C D6C D5C F6C)	41R3257	1
Line cord - Brazil (models ATP AVP BDP BEP BJP BKP BPP BQP BCP BFP BGP BHP BLP BMP BNP BRP A9P D6P D5P E2P E3P E4P E5P E6P E7P F1P F4P JGP JHP JJP JNP JPP JQP)	41R3270	1
Line cord - Brazil (models ATP AVP BDP BEP BJP BKP BPP BQP BCP BFP BGP BHP BLP BMP BNP BRP A9P D6P D5P E2P E3P E4P E5P E6P E7P F1P F4P JGP JHP JJP)	41R3271	1
Line cord - LA High Volt APU (models ARY ATY AUJ AVY AWY ASY A9Y D6Y D5Y F3Y F1Y J8Y J9Y JBY JGY JHY JJY JNY JPY JQY JRY)	41R3176	1
Line Cord - LA High Volt APU (models ARY ATY AUJ AVY AWY ASY A9Y D6Y D5Y F3Y F1Y J8Y J9Y JBY JGY JHY JJY)	41R3177	1
Line Cord - Korea (models DLK DFK DRK DUK BUK A9K D6K D5K F9K JKK JLK)	41R3260	1
Line Cord - Korea (models DLK DFK DRK DUK BUK A9K D6K D5K F9K JKK JLK)	41R3261	1
Line Cord - UK, Ireland, Singapore, Malaysia, Brunei (models ANG B1G APG DKG B2A B6A BBA B3A DAA DBA DDA DLA B5A B7A B9A DFA DGA DRA DSA DTA DUA BUA BTA BVA A9A D6A D5A A9G D6G D5G F8A F9A F7G JFG JKA JLA)	41R3224	1
Line Cord - UK, Ireland, Singapore, Malaysia, Brunei (models ANG B1G APG DKG B2A B6A BBA B3A DAA DBA DDA DLA B5A B7A B9A DFA DGA DRA DSA DTA DUA BUA BTA BVA A9A D6A D5A A9G D6G D5G F8A F9A F7G JFG JKA JLA)	41R3225	1
Line Cord - Taiwan (models A9V D6V D5V)	41R3278	1
Line Cord - Taiwan (models A9V D6V D5V)	41R3279	1
Line Cord - Italy (models ARS ATS AUS AVS ARY ATY AUJ AVY A9S D6S D5S A9Y D6Y D5Y F1S F1Y F3S F3Y F4Y F4S J8S J9S JBS J8Y J9Y JBY JGS JGY JHS JHY JJS JJY JNY JPY JQY JPS JQS JRS)	41R3232	1
Line Cord - Italy (models ARS ATS AUS AVS ARY ATY AUJ AVY A9S D6S D5S A9Y D6Y D5Y F1S F1Y F3S F3Y F4Y F4S J8S J9S JBS J8Y J9Y JBY JGS JGY JHS JHY JJS JJY)	41R3233	1
Line Cord - Indonesia, Laos, Cambodia, and Vietnam (models ANG B1G APG DKG B2A B6A BBA B3A DAA DBA DDA DLA B5A B7A B9A DFA DGA DRA DSA DTA DUA BUA BTA BVA A9A D6A D5A A9G D6G D5G F8A F9A F7G JFG JKA JLA)	41R3208	1
Line Cord - Indonesia, Laos, Cambodia, and Vietnam (models ANG B1G APG DKG B2A B6A BBA B3A DAA DBA DDA DLA B5A B7A B9A DFA DGA DRA DSA DTA DUA BUA BTA BVA A9A D6A D5A A9G D6G D5G F8A F9A F7G JFG JKA JLA)	41R3209	1
Line Cord - Denmark (models ANG B1G APG DKG A9G D6G D5G F7G JFG JMG)	41R3212	1
Line Cord - Denmark (models ANG B1G APG DKG A9G D6G D5G F7G JFG JMG)	41R3213	1
Line Cord - Switzerland (models ANG B1G APG DKG A9G D6G D5G F7G JFG JMG)	41R3228	1
Line Cord - Switzerland (models ANG B1G APG DKG A9G D6G D5G F7G JFG JMG)	41R3229	1
Line Cord - Israel (models ANG B1G APG DKG A9G D6G D5G F7G JFG JMG)	41R3236	1
Line Cord - Israel (models ANG B1G APG DKG A9G D6G D5G F7G JFG JMG)	41R3237	1

9481 Line Cords	FRU#	CRU
Line Cord - South Africa (models ANG B1G APG B6M BBM DKG B2A B6A BBA B3A DAA DBA DDA DLA B5A B7A B9A DFA DGA DRA DSA DTA DUA BUA BTA BVA A9A D6A D5A A9G D6G D5G F8A F9A F7G JFG JKA JLA JKM JLM JMG)	41R3220	1
Line Cord - South Africa (models ANG B1G APG B6M BBM DKG B2A B6A BBA B3A DAA DBA DDA DLA B5A B7A B9A DFA DGA DRA DSA DTA DUA BUA BTA BVA A9A D6A D5A A9G D6G D5G F8A F9A F7G JFG JKA JLA JKM JLM JMG)	41R3221	1
Line Cord - India (models B2Q B6Q BBQ B3Q B4Q B8Q DAQ DBQ DCQ DDQ DEQ DLQ B5Q B9Q DFQ DGQ DRQ DUQ BUQ BTQ BVQ A9Q D6Q D5Q F8Q F9Q JKQ JLQ)	41R3341	1
Line Cord - India (models B2Q B6Q BBQ B3Q B4Q B8Q DAQ DBQ DCQ DDQ DEQ DLQ B5Q B9Q DFQ DGQ DRQ DUQ BUQ BTQ BVQ A9Q D6Q D5Q F8Q F9Q JKQ JLQ)	41R3175	1
Line Cord - Japan (models DLJ DFJ DGJ DRJ DVJ DWJ D3J D4J DSJ DTJ DUJ DMJ DNJ DPJ DQJ BUJ BTJ A9J D6J D5J F9J H1J JKJ JLJ)	41R3248	1
Line Cord - Japan (models DLJ DFJ DGJ DRJ DVJ DWJ D3J D4J DSJ DTJ DUJ DMJ DNJ DPJ DQJ BUJ BTJ A9J D6J D5J F9J H1J JKJ JLJ)	41R3249	1
Line Cord - ANZ (models DLM B7M DFM DGM DRM DSM DTM DUM BSM BUM BTM BVM A9M D6M D5M F9M H1M JLM JKM)	41R3196	1
Line Cord - ANZ (models DLM B7M DFM DGM DRM DSM DTM DUM BSM BUM BTM BVM A9M D6M D5M F9M H1M JLM JKM)	41R3197	1
Line Cord - Hong Kong (models A9B D6B D5H A9H D6H D5H)	41R3224	1
Line Cord - Hong Kong (models A9B D6B D5H A9H D6H D5H)	41R3225	1

9481 Windows XP Home Recovery CDs	FRU#	CRU
US/UK/AP/TH (models)	TBD	1
FR/CF (models)	TBD	1
GR (models)	TBD	1
IT (models)	TBD	1
BR (models)	TBD	1
SP/LA (models)	TBD	1
DK (models)	TBD	1
NL (models)	TBD	1
AE (models)	TBD	1
SV (models)	TBD	1
HE (models)	TBD	1
FI (models)	TBD	1
NO (models)	TBD	1
PL (models)	TBD	1
PO (models)	TBD	1
RU (models)	TBD	1
RE (models)	TBD	1
HU (models)	TBD	1
CZ (models)	TBD	1
TR (models)	TBD	1

9481 Windows XP Home Recovery CDs	FRU#	CRU
GK (models)	TBD	1
Japanese (models)	TBD	1
Simplified Chinese (models)	TBD	1
Taiwan-TC (models)	TBD	1
Hong Kong-TC (models)	TBD	1
Korea (models)	TBD	1

9481 Windows XP Pro Recovery CDs	FRU#	CRU
US/UK/AP/TH (models A1U A2U A6U A7U BAU B2M B2Q B6M B6Q BWH BBM BBQ B2A B6A DGM DGA DGQ DSM DSA BTM BTA BTQ BVM BVA BVQ J1U J2U J3U J4U J5U J6U J7U JKM JKA JKQ)	45R0756	1
FR/CF (models A1F A2F A6F A7F BAF J1F J2FJ3F J4F J5F J6F J7F)	45R0759	1
GR (models)	45R0760	1
IT (models)	45R0762	1
BR (models BDP BEP BJP BKP BPP BQP J8P J9P JBP JGP JHP)	45R0763	1
SP/LA (models AWS AWD AWY ASS ASD ASY J8S J8Y J9S J9D J9Y JGS JGY JHS JHY)	45R0761	1
DK (models)	45R0764	1
NL (models)	45R0767	1
AE (models)	45R2342	1
SV (models)	45R0765	1
HE (models)	45R2334	1
FI (models)	45R0766	1
NO (models)	45R0770	1
PL (models)	45R0777	1
PO (models)	45R0774	1
RU (models)	45R0773	1
RE (models)	45R2318	1
HU (models)	45R0780	1
CZ (models)	45R0776	1
TR (models)	45R0775	1
GK (models)	45R0772	1
SL (models)	45R2326	1
Japanese (models D1J D2J D4J DMJ DNJ DGJ D4J DMJ DNJ DPJ DQJ BTJ JKJ)	45R0757	1
Simplified Chinese (models)	45R0758	1
Taiwan-TC (models BBV)	45R0768	1
Hong Kong-TC (models)	45R0769	1
Korea (models JKK)	45R0771	1
Multilingual 1 XP-Pro -- EN, NL, FR, GR, IT (models)	45R8246	1
Multilingual 2 XP-Pro -- EN, DK, FI, NO, SV (models)	45R8247	1

9481 Vista Home Basic 32 SP1 Recovery DVDs	FRU#	CRU
English (models)	46R7273	1
Japanese (models)	46R7274	1
Simplified Chinese (models)	46R7275	1
French (models)	46R7276	1
German (models)	46R7277	1
Spanish (models F1S F1D F1Y)	46R7278	1
Italian (models)	46R7279	1
Brazilian Portuguese (models A5P F1P)	46R7280	1
Danish (models)	46R7281	1
Swedish (models)	45R9758	1
Finland (models)	45R9759	1
Dutch (models)	45R9760	1
Traditional Chinese (models)	46R7282	1
Hong Kong (models)	46R7283	1
Norwegian (models)	46R7284	1
Korean (models)	45R9764	1
Slovenian (models)	45R9765	1
Greek (models)	45R9766	1
Russian (models)	46R7285	1
Portuguese (models)	45R9768	1
Turkish (models)	45R9769	1
Czech (models)	45R9770	1
Polish (models)	45R9771	1
Russian English (models)	46R7286	1
Arabic Localized (models)	45R9773	1
Hebrew (models)	45R9774	1
Hungarian (models)	45R9775	1
Slovakian (models)	45R9776	1

9481 Vista Business 32 SP1 Recovery DVDs	FRU#	CRU
English (models ACA AEM AEA AGM ANG B1G APG DKG A5U A3U A4U A8U A9U B3M B3Q B4A B4Q B8A B8Q DAM DAQ DBM DBQ DCA DCQ DDM DDQ DEA DEQ DHM DJM BBA B3A DAA DBA DDA DLM DLA DLQ B7M B7A DFM DFA DFQ DRM DRA DRQ DTM DTA DUM DUA DUQ BSM BUM BUA BUQ A9M A9A A9Q A9U A9G A9H A9R A9E D5U D5G D5M D5A D5Q D5H D5R D5E D6U D6G D6M D6A D6Q D6H D6R D6E D5U D5G D5M D5A D5Q D5H D5R D5E F9M F9A F9Q H1M F2U F7G JLA JLQ JCU JDU JFG JMG)	46R7287	1
Japanese (models AFJ AGJ B3J DAJ DBJ DLJ DFJ DRJ DVJ DWJ D3J DTJ DUJ BUJ H1J)	46R7288	1
Simplified Chinese (models A9C D5C D6C)	46R7289	1
French (models ANG B1G APG DKG A5F A3F A4F A8F A9F D5F D6F F2F JCF JDF JMG)	46R7290	1
German (models ANG B1G APG DKG A9G D5G D6G F7G JFG JMG)	46R7291	1

9481 Vista Business 32 SP1 Recovery DVDs	FRU#	CRU
Spanish (models ANG B1G APG ATS ATD ATY AUS AUD AUJ DKG A9G D5G D6G A9S D5S D6S A9D D5D D6D A9Y D5Y D6Y E8S F7G F3S F3D F3Y F4S F4D F4Y F5S F5D F5Y JBS JBD JBY)	46R7292	1
Italian (models ANG B1G APG DKG A9G D5G D6G F7G JFG JPS JPY QJS JQY JRS JRY)	46R7293	1
Brazilian Portuguese (models JPP JQP)	46R7294	1
Danish (models ANG B1G APG DKG A9G D5G D6G F7G JFG JMG)	46R7295	1
Swedish (models ANG B1G APG DKG A9G D5G D6G F7G JFG JMG)	45R9786	1
Finland (models ANG B1G APG DKG A9G D5G D6G F7G JFG JMG)	45R9787	1
Dutch (models ANG B1G APG DKG A9G D5G D6G F7G JFG JMG)	45R9788	1
Traditional Chinese (models AMV A9V D5V D6V)	46R7296	1
Hong Kong (models AMV A9V D5V D6V)	46R7297	1
Norwegian (models ANG B1G APG DKG A9G D5G D6G F7G JFG JMG)	46R7298	1
Korean (models B3K DAK DLK DFK DRK DUK BUK A9K D5K D6K JLK)	45R9792	1
Slovenian (models ANG B1G APG DKG A9G D5G D6G F7G JFG JMG)	45R9793	1
Greek (models ANG B1G APG DKG A9G D5G D6G F7G JFG JMG)	45R9794	1
Russian (models ANG B1G APG DKG A9G D5G D6G F7G JFG JMG)	46R7299	1
Portuguese (models ANG B1G APG DKG A9G D5G D6G F7G JFG JMG)	45R9796	1
Turkish (models ANG B1G APG DKG A9G D5G D6G F7G JFG JMG)	45R9797	1
Czech (models ANG B1G APG DKG A9G D5G D6G F7G JFG JMG)	45R9798	1
Polish (models ANG B1G APG DKG A9G D5G D6G F7G JFG JMG)	45R9799	1
Russian English (models ANG B1G APG DKG A9G D5G D6G F7G JFG JMG)	46R7300	1
Arabic Localized (models)	45R9801	1
Hebrew (models ANG B1G APG DKG A9G D5G D6G F7G JFG JMG)	45R9802	1
Romanian (models ANG B1G APG DKG A9G D5G D6G F7G JFG JMG)	45R9803	1
Hungarian (models ANG B1G APG DKG A9G D5G D6G F7G JFG JMG)	45R9804	1
Slovakian (models ANG B1G APG DKG A9G D5G D6G F7G JFG JMG)	45R9805	1
Serbian-Latin (models)	45R9806	1

9481 Vista VHP SP1 Recovery DVDs	FRU#	CRU
English (models)	46R7315	1
Japanese (models)	46R7316	1
Simplified Chinese (models)	46R7317	1
French (models)	46R7318	1
German (models)	46R7319	1
Spanish (models)	46R7320	1
Italian (models)	46R7321	1
Brazilian Portuguese (models)	46R7322	1
Danish (models)	46R7323	1
Swedish (models)	45R9844	1
Finland (models)	45R9845	1

9481 Vista VHP SP1 Recovery DVDs	FRU#	CRU
Dutch (models)	45R9846	1
Traditional Chinese (models)	46R7324	1
Hong Kong (models)	46R7325	1
Norwegian (models)	46R7326	1
Korean (models)	45R9850	1
Slovenian (models)	45R9851	1
Greek (models)	45R9852	1
Russian (models)	46R7327	1
Portuguese (models)	45R9854	1
Turkish (models)	45R9855	1
Czech (models)	45R9856	1
Polish (models)	45R9857	1
Russian English (models)	46R7328	1
Arabic Localized (models)	45R9859	1
Hebrew (models)	45R9860	1
Romanian (models)	45R9861	1
Hungarian (models)	45R9862	1
Slovakian (models)	45R9863	1
Serbian-Latin (models)	45R9864	1

9481 Vista Business 64 SP1 Recovery DVDs	FRU#	CRU
English (models)	46R7301	1
Russian English (models)	46R7302	1
French (models)	46R7303	1
German (models)	46R7304	1
Spanish (models)	46R7305	1
Brazilian Portuguese (models)	46R7306	1
Italian (models)	46R7307	1
Japanese (models)	46R7308	1
Norwegian (models)	46R7309	1
Swedish (models)	45R9816	1
Danish (models)	45R9817	1
Dutch (models)	45R9818	1
Czech (models)	46R7310	1
Finnish (models)	46R7311	1
Polish (models)	46R7312	1
Russian (models)	45R9822	1
Turkish (models)	45R9823	1
Hungarian (models)	45R9824	1

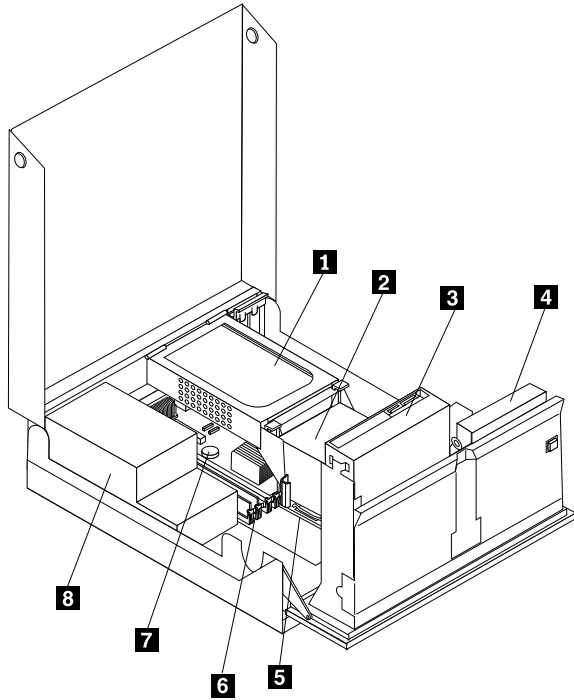
9481 Vista Business 64 SP1 Recovery DVDs	FRU#	CRU
Greek (models)	45R9825	1
Simplified Chinese (models)	46R7313	1
Taiwan (models)	45R9827	1
HongKong (models)	45R9828	1
Korea (models)	45R9829	1
Slovenian (models)	46R7314	1
Portuguese (models)	45R9831	1
Arabic Localized (models)	45R9832	1
Hebrew (models)	45R9833	1
Slovakian (models)	45R9834	1

9481 Vista Ultimate 32 SP1 Recovery DVDs	FRU#	CRU
English (models)	46R7329	1
Japanese (models)	46R7330	1
Simplified Chinese (models)	46R7331	1
French (models)	46R7332	1
German (models)	46R7333	1
Spanish (models)	46R7334	1
Italian (models)	46R7335	1
Brazilian Portuguese (models)	46R7336	1
Danish (models)	46R7337	1
Swedish (models)	45R9874	1
Finland (models)	45R9875	1
Dutch (models)	45R9876	1
Traditional Chinese (models)	46R7338	1
Hong Kong (models)	46R7339	1
Norwegian (models)	46R7340	1
Korean (models)	45R9880	1
Slovenian (models)	45R9881	1
Greek (models)	45R9882	1
Russian (models)	46R7341	1
Portuguese (models)	45R9884	1
Turkish (models)	45R9885	1
Czech (models)	45R9886	1
Polish (models)	45R9887	1
Russian English (models)	46R5089	1
Arabic Localized (models)	46R7342	1
Hebrew (models)	45R9890	1

9481 Vista Ultimate 32 SP1 Recovery DVDs	FRU#	CRU
Hungarian (models)	45R9891	1
Slovakian (models)	45R9892	1

9481 Vista Starter 32 Recovery DVDs	FRU#	CRU
English (models)	46R5059	1

Machine Type 9482



Item #	9482 FRUs	FRU#	CRU
1	Hard disk drive,SATA 80GB 7200RPM/3Gb/8MB (models AAU AAF ABU ABF ACU ACF ADU ADF AEU AEF AFU AFF AGU AGF AHS AHP AHY BBS BBD BBY BCS BCD BCY DDS DDD DDY DES DGS DGD DGY BRS BTM BTA BTQ BTT BTJ DLM DLA DLQ DLJ E3M E3A E3Q E3T E3J DKA DKQ DNM DNA DNQ DNT DNK DNJ DPA DPQ EDJ EFJ BSM BUM BUA BUQ BUJ D6M EHJ EDJ EFJ EGJ ADU AEU AFU AGU)	40Y9034	2

Item #	9482 FRUs	FRU#	CRU
1	Hard disk drive,SATA 160GB 7200RPM/3Gb/8MB (models ARV AKM AKJ ALM ALJ AJS AJY AQC B7G B8G B9G AUU AUF AVU AVF AWU AWF B1U B1F B2U B2F B3U B3F B4U B4F B5U B5F B6U B6F BDS BDP BDD BDY BES BED BEY BFS BFD BFY BGU BGF BHU BHF BJU BJF BKU BKF BNU BNF BPU BPF DAU DAF DFS DFD DFY BVM BVA BVQ BVT BVJ DMM DMA DMQ DMT DMK DMJ EBM ECM EKJ ELJ E5M D4H D5H DCV EWG DBU DBF DHS DHD DHY BQS BQD BQY BWM BWA BWQ BWT BWK BWJ DJA DJQ DQM DQA DQQ DQT DQJ DRM DRA DRJ DTM DTA DTQ DTT DTJ D2M D2A D2Q D2T D2J D3A D3Q D7M DUM DUA DUQ DUT DVA DVQ D9M EAM E6M E6A E6Q E6T E6J EJJ FLU FLF DTM DTA DTQ DTT DTJ DUM DUA DUQ DUT D2M D2A D2Q D2T D2J E2M E2A E2Q E2T E2J E8M E8A E8Q E8T E8K E8J EJJ BLU BLF BMU BMF F9U F9F F9S F9P F9L F9D F9Y F9G F9M F9A F9Q F9T F9C F9B F9H F9V F9K F9R F9E F9J FAU FAF FAS FAP FAL FAD FAY FAG FAM FAQ FAT FAC FAB FAH FAV FAK FAR FAE FAJ FLU FLF F8A F8Q F8T H2M H2A H2Q H2T H2K H2J H6A H6Q H6T H1U H1F F9U H9F F5G F4S F4P F4Y HDB HDH HRM HRA HRQ HRT HRK HRJ HUM HUA HUQ HUT HUK HJH HVM HVA HVQ HVT HVK HVJ HPM HPA HPQ HPT HPM HPA HPQ HPT HPK HPJ HQM HQA HQQ HQT HQK HQJ HBU HBF HCU HCF HJU HJF HKU HKF HLU HLF HKU HKF HLU HLF HFU HFF HGU HGF HHU HHH HMS HMD HMY HNS HNY D5M D5A D5Q D5T D5K D5J B8U B8F J5M J5A J5Q J5T J5K J5J J6M J6A J6Q J6T J6K J6J H8U H8F H9U H9F J1U J2S J2P J2Y J4S J4Y J3S J3Y J9M J9A J9J JBM JBA JBT JBJ JCA JCQ JCT JDM JDA JDQ JDT JDK JDJ JFM JFA JFQ JFT JFK JFJ JGM JGA JGQ JGT JGK JGJ J8G JHS JHY JKS JKY FHS FHD FHY FJS FJD FJY)	40Y9035	2
1	Hard disk drive,SATA 320GB 7200rpm SATA/8MB (models ASK ATK AMM AMJ ANM ANJ APM D8M EUJ ERJ ESJ ETJ E4M H3M H3A H3K H3J H5M)	87H4891	2
2	Thermal kit (all models)	41R6039	2
3	Optical drive,DVD-ROM Drive - 16x/48x - SATA Vista & non-Vista (models ARV AKM AKJ ALM ALJ AAU AAF ABU ABF ADU ADF AHS AHP AHY AQC AUU AUF AVU AVF B1U B1F B6U B6F BBS BBD BBY BGU BGF BKU BKF BPU BPF DLM DLA DLQ DLJ EBM ECM EKJ EMJ E5M E3M E3A E3Q E3T E3J D4H DCV DKA DKQ DPA DPQ DQM DQA DQQ DQT DQJ DRM DRA DRJ D7M EPJ E6M E6A E6Q E6T E6J EDJ EJJ BSM D6M ERJ DTM DTA DTQ DTT DTJ EDJ EGJ EJJ ADU F8A F8Q F8T F6C HDB HDH HPM HPA HPQ HPT HPK HPJ HQM HQA HQQ HQT HQK HQJ HJU HJF HKU HKF HGU HGF HHU HHH HMS HMD HMY H7H H8U H8F J9M J9A J9J JBM JBA JBT JBJ JCA JCQ JCT JDM JDA JDQ JDT JDK JDJ JFM JFA JFQ JFT JFK JFJ)	41N3325	2
3	Optical drive,DVD-ROM/CD-RW Combo Drive - 48x/32x/48x/16x - SATA Vista & non-Vista (models ASK ATK ACU ACF AEU AEF AFU AFF AJS AJY B7G AWU AWF B2U B2F B3U B3F B4U B4F B5U B5FBDS BDP BDD BDY BFS BFD BFY BHU BHF BJU BJF BNU BNF BCS BCD BCY DAU DAF DDS DDD DDY DES DFS DFD DFY DGS DGD DGY BRS DBU DBF DHS DHD DHY FLU FLF BLU BLF BMU BMF F9U F9F F9S F9P F9L F9D F9Y F9G F9M F9A F9Q F9T F9C F9B F9H F9V F9K F9R F9E F9J FAU FAF FAS FAP FAL FAD FAY FAG FAM FAQ FAT FAC FAB FAH FAV FAK FAR FAE FAJ FLU FLF AEU AFU)	42Y9353	2

Item #	9482 FRUs	FRU#	CRU
3	Optical drive,DVD-RW/CD-RW Rambo 8 - SATA Vista & non-Vista (models AMM AMJ ANM ANJ APM AGU AGF B8G B9G BAU BAF BES BED BEY BTT BTJ BVM BVA BVQ BVT BVJ DMM DMA DMQ DMT DMK DMJ ELJ ENJ D5H EVG EWG BQS BQD BQY BWM BWA BWQ BWT BWK BWJ DJA DJQ DNM DNA DNQ DNT DNK DNJ DSM DSA DSQ DST DSJ DTM DTA DTQ DTT DTJ DUM DUA DUQ DUT DVA DVQ DWM DWA DWQ DWT D2M D2A D2Q D2T D2J D3A D3Q D8M D9M EAM EQJ EUJ E7M E7A E7Q E7T E7K E7J EFJ DSM DSA DSQ DST DSJ DTM DTA DTQ DTT DTJ DUM DUA DUQ DUT DWM DWA DWQ DWT D2M D2A D2Q D2T D2J BUM BUA BUQ BUJ ESJ E4M E2M E2A E2Q E2T E2J E8M E8A E8Q E8T E8K E8J EFJ FBU FBF FBS FBP FBL FBD FBY FBG FBM FBQ FBT FBC FBB FBH FBV FBK FBR FBE FBJ AGU H2M H2A H2Q H2T H2K H2J H3M H3A H3K H3J H6A H6Q H6T H1U H1F F9U H9F F5G F1S F1P F1Y F4S F4P HRM HRA HRQ HRT HRK HRJ HSM HSA HSK HSJ HUM HUA HUQ HUT HUK HUJ HVM HVA HVQ HVT HVK HVJ HBU HBF HCU HCF HLU HLF HFU HFF HNS HNY D5M D5A D5Q D5T D5K D5J B8U B8F J5M J5A J5Q J5T J5K J5J J6M J6A J6Q J6T J6K J6J H9U H9F J1U J2S J2P J2Y J4S J4Y J3S J3Y JGM JGA JGQ JGT JGK JGJ J8G JHS JHY JJS JKS JKY FHS FHD FHY FJS FJD FJY)	43C1042	2
5	Microprocessor, Celeron 420 CONROE-L 800/1600MHZ-512K,LGA,EM64T (models AUU AUF DDD DDY)	43C3835	N
5	Microprocessor, Celeron 430 CONROE-L 800/1800MHZ-512K,LGA,EM64T(models AKM AKJ AAU AAF B7G BBS BBD BBY BTM BTA BTQ BTT BTJ EDJ EFJ BSM BUM BUA BUQ BUJ D6M EHJ E2M E2A E2Q E2T E2J EDJ EFJ EGJ)	43C1964	N
5	Microprocessor, Celeron 440 CONROE-L 800/2000MHZ-512K,LGA,EM64T (models J9M J9A J9J JBM JBA JBT JBJ JKS JKY)	43C1965	N
5	Microprocessor, Pentium Dual-core E2140 CONROE-L 800/1600MHZ-1M, LGA, EM64T (models)	43C1967	N
5	Microprocessor, Pentium Dual-core E2160 CONROE-L 800/1800MHZ-1M, LGA, EM64T (models ALJ ABU ABF ACU ACF AHS AHP AHY AVU AVF AWU AWF BGU BGF BHU BHF BCS BCD BCY BVM BVA BVQ BVT BVJ EBM E3M E3A E3Q E3T E3J BWM BWA BWQ BWT BWK BWJ DJA DJQ DKA DKQ)	43C1968	N
5	Microprocessor, Core 2 Duo E4400 L2 CONROE 800/2000MHZ-2M, LGA, EM64T (models)	43C2056	N
5	Microprocessor, Core 2 Duo E6400 B2 CONROE 1066/2130MHZ-2M, LGA, EM64T L2 Value (models)	41X2496	N
5	Microprocessor, Pentium Dual-core E2200 CONROE-L 800/2200MHZ-1M, LGA, EM64T - NPI (models CTO)	45C5349	N
5	Microprocessor, Pentium Dual-core E2180 CONROE-L 800/2000MHZ-1M, LGA, EM64T - NPI (models CTO)	45C1773	N
5	Microprocessor, Pentium Dual-core E2220 CONROE-L 800/2400MHZ-1M, LGA, EM64T - NPI (models CTO)	45C1774	N
5	Microprocessor, Core 2 Duo E4600 M0 CONROE 800/2400MHZ-2M, LGA, EM64T - NPI (models CTO FHS FHD FHY)	45C5282	N
5	Microprocessor, Core 2 Duo E4500 M0 CONROE 800/2200MHZ-2M, LGA, EM64T (models CTO)	43C6305	N
5	Microprocessor, Core 2 Duo E6850 G0 CONROE 1333/3000MHZ-4M, LGA, EM64T (models CTO)	43C1694	N
5	Microprocessor, Core 2 Duo E6750 G0 CONROE 1333/2660MHZ-4M, LGA, EM64T (models CTO)	43C1693	N
5	Microprocessor, Core 2 Duo E6550 G0 CONROE 1333/2330MHZ-4M, LGA, EM64T (models CTO)	43C3833	N

Item #	9482 FRUs	FRU#	CRU
5	Microprocessor, Core 2 Quad G-0 Q6700 KENTSFIELD 1066/2660MHZ-8M (models CTO)	43C6309	N
5	Microprocessor, Core 2 Quad G-0 Q6600 KENTSFIELD 1066/2400MHZ-8M (models CTO)	43C1695	N
5	Microprocessor, Core 2 Duo E8500 WOLFDAL E 1333/3160MHZ-6M (models CTO)	45C7735	N
5	Microprocessor, Core 2 Duo E8400 WOLFDAL E 1333/3000MHZ-6M (models CTO)	45C7736	N
5	Microprocessor, Core 2 Duo E8200 WOLFDAL E 1333/2660MHZ-6M (models CTO)	45C7738	N
5	Microprocessor, Core 2 Duo E8190 WOLFDAL E 1333/2660MHZ-6M - NON VT/Vpro (models CTO)	45R2568	N
5	Microprocessor, Core 2 Quad Q9550 C-1 YORKFIELD 2.83GHz 1333MHZ FSB 12M L2 (models CTO)	45C7739	N
5	Microprocessor, Core 2 Quad Q9450 C-1 YORKFIELD 2.66GHz 1333MHZ FSB 12M L2 (models CTO)	45C7740	N
5	Microprocessor, Core 2 Quad Q9300 M-1 YORKFIELD 2.5GHz 1333MHZ FSB 6M L2 (models CTO)	45C7741	N
5	Microprocessor, Core 2 Duo E8300 C-0 WOLFDAL E 2.83GHz 1333MHZ FSB 6M L2 (models CTO)	45C7737	N
5	Microprocessor, Core 2 Duo E7300 M-0 2.66GHz 1066MHz FSB 3M L2 (models CTO)	46R1622	N
5	Microprocessor, Core 2 Duo E7200 M-0 2.53GHz 1066MHz FSB 3M L2 (models CTO)	45R8337	N
5	Microprocessor, Core 2 Duo E4700 G-0 2.6GHz 800MHz FSB 2M L2 (models CTO)	45R5786	N
5	Microprocessor, Celeron Dual Core E1400 M-0 2.0GHz 800MHz FSB 512K L2 (models CTO)	45R8339	N
5	Microprocessor, Celeron Dual Core E1200 M-0 1.6GHz 800MHz FSB 512K L2, LGA, EM64T - NPI (models CTO JCA JCQ JCT JDM JDA JDQ JDT JDK JDJ JFM JFA JFQ JFT JFK JFJ JGM JGA JGQ JGT JGK JGJ J8G JHS JHY JJS)	45R8341	N
5	Microprocessor, Core 2 Duo E8600 E-0 WOLFDAL E 3.33GHz 1333MHZ FSB 6M L2 (models CTO)	46R8640	N
5	Microprocessor, Pentium Dual Core E5200 M-0 WOLFDAL E 2.5GHz 800MHZ FSB 2M L2 (models CTO)	46R9512	N
6	Memory module, 512 MB PC-5300 (667MHz) DDR2 SDRAM (models AKM AKJ AQC BCS BCD BCY DDS DDD DDY DES DFS DFD DFY DGS DGD DGY BRS DLM DLA DLQ DLJ E3Q E3T E3J DRM DRA DRJ EDJ EFJ BSM D6M EDJ EFJ)	41X4255	2

Item #	9482 FRUs	FRU#	CRU
6	Memory module, 1 GB PC-5300 (667MHz) DDR2 SDRAM (models ARV ASK ATK ALM ALJ AMM AMJ ANM ANJ APM AAU AAF ABU ABF ACU ACF ADU ADF AEU AEF AFU AFF AGU AGF AHS AHP AHY AJS AJY B7G B8G B9G AUU AUF AVU AVF AWU AWF B1U B1F B2U B2F B3U B3F B4U B4F B5U B5F B6U B6F BBS BBD BBY BDS BDP BDD BDY BES BED BEY BFS BFD BFY BGU BGF BHU BHF BJU BJF BKU BKF BNU BNF BPU BPF DAU DAF BTM BTA BTQ BTT BTJ BVM BVA BVQ BVT BVJ DMM DMA DMQ DMT DMK DMJ EBM ECM EKJ ELJ EMJ ENJ E5M E3M E3A E3Q E3T E3J D4H D5H D4H D5H DCV EVG EWG DBU DBF DHS DHD DHY BQS BQD BQY BWM BWA BWQ BWT BWK BWJ DJA DJQ DKA DKQ DNM DNA DNQ DNT DNK DNJ DPA DPQ DQM DQA DQQ DQT DQJ DTM DTA DTQ DTT DTJ DUM DUA DUQ DUT DVA DVQ D2M D2A D2Q D2T D2J D3A D3Q D7M D8M D9M EAM EPJ EQJ EUJ E6M E6A E6Q E6T E6J EJJ FLU FLF DTM DTA DTQ DTT DTJ DUM DUA DUQ DUT D2A D2Q D2T D2J BUM BUA BUQ BUJ EHJ ERJ ESJ ETJ E4M E2M E2A E2Q E2T E2J E8M E8A E8Q E8T E8K E8J EGJ EJJ BLU BLF BMU BMF F9U F9F F9S F9P F9L F9D F9Y F9G F9M F9A F9Q F9T F9C F9B F9H F9V F9K F9R F9E F9J FAU FAF FAS FAP FAL FAD FAY FAG FAM FAQ FAT FAC FAB FAH FAV FAK FAR FAE FAJ FBU FBF FAS FBP FBL FBD FBY FBG FBM FBQ FBT FBC FBB FBH FBV FBK FBR FBE FBJ FLU FLF ADU AEU AFU AGU F8A F8Q F8T H2M H2A H2Q H2T H2K H2J H1U H1F F9U H9F F5G F4S F4P F4Y F6C HDB HDH HRM HRA HRQ HRT HRK HRJ HUM HUA HUQ HUT HUK HUJ HVM HVA HVQ HVT HVK HVJ HPM HPA HPQ HPT HPK HPJ HQM HQA HQT HQK HQJ HBU HBF HCU HCF HJU HJF HKU HKF HFU HFF HMS HMD HMY HNS HNY D5M D5A D5Q D5T D5K D5J B8U B8F H7H J5M J5A J5Q J5T J5K J5J J6M J6A J6Q J6T J6K J6J H8U H8F H9U H9F J2S J2P J2Y J4S J4Y J3S J3Y J9M J9A J9J JBM JBA JBT JBJ JCA JCQ JCT JDM JDA JDQ JDT JDK JDJ JFM JFA JFQ JFT JFK JFJ JGM JGA JGQ JGT JGK JGJ J8G JHS JHY JJS JKS JKY FHS FHD FHY FJS FJD FJY)	41X4256	2
6	Memory module,2 GB PC-5300 (667MHz) DDR2 SDRAM (models DSM DSA DSQ DST DSJ DWM DWA DWQ E7M E7A E7Q E7T E7K E7J DSM DSA DSQ DST DSJ DWM DWA DWQ DWT H3M H3A H3K H3J H4Q H4T H4K H4J HSM HSA HSK HSJ HLU HLF HGU HGF HHU HHF J1U)	41X4257	2
6	Memory module,512 MB PC2-6400 (800MHz) DDR2 SDRAM (models)	41X1079	2
6	Memory module,1GB PC-6400 (800MHz) DDR2 SDRAM (models)	41X1080	2
6	Memory module,2GB PC-6400 (800MHz) DDR2 SDRAM (models)	41X1081	2

Item #	9482 FRUs	FRU#	CRU
7	System board, Intel G31 nano-BTX GA Level (models ARV ASK ATK AKM AKJ ALM ALJ AMM AMJ ANM ANJ APM AAU AAF ABU ABF ACU ACF ADU ADF AEU AEF AFU AFF AGU AGF AHS AHP AHY AJS AJY AQC B7G B8G B9G AUU AUF AVU AVF AWU AWF B1U B1F B2U B2F B3U B3F B4U B4F B5U B5F B6U B6F BBS BBD BBY BDS BDP BDD BDY BES BED BEY BFS BFD BFY BGV BGF BHU BHF BJU BJF BKU BKF BNU BNF BPU BPF BCS BCD BCY DAU DAF DDS DDD DDY DES DFS DFD DFY DGS DGD DGY BRS BTM BTA BTQ BTT BTJ BVM BVA BVQ BVT BVJ DLM DLA DLQ DLJ DMM DMA DMQ DMT DMK DMJ EBM ECM EKJ ELJ EMJ ENJ E5M E3M E3A E3Q E3T E3J D4H D5H DCV EVG EWG DBU DBF DHS DHD DHY BQS BQD BQY BWM BWA BWQ BWT BWK BWJ DJA DJQ DKA DKQ DNM DNA DNQ DNT DNK DNJ DPA DPQ DQM DQA DQQ DQT DQJ DRM DRA DRJ DSM DSA DSQ DST DSJ DTM DTA DTQ DTT DTJ DUM DUA DUQ DUT DVA DVQ DWM DWA DWQ DWT D2M D2A D2Q D2T D2J D3A D3Q D7M D8M D9M EAM EPJ EQJ EUJ E6M E6A E6Q E6T E6J E7M E7A E7Q E7T E7K E7J EDJ EFJ EJJ FLU FLF DSK DTK DUK DWK D2K BSM BUM BUA BUQ BUJ D6M EHJ ERJ ESJ ETJ E4M E2M E2A E2Q E2T E2J E8M E8A E8Q E8T E8K E8J EDJ EFJ EGJ EJJ BLU BLF BMU BMF F9U F9F F9S F9P F9L F9D F9Y F9G F9M F9A F9Q F9T F9C F9B F9H F9V F9K F9R F9E F9J FAU FAF FAS FAP FAL FAD FAY FAG FAM FAQ FAT FAC FAB FAH FAV FAK FAR FAE FAJ FBU FBF FAS FBP FBL FBD FBY FBG FBM FBQ FBT FBC FBB FBH FBV FBK FBR FBE FBJ FLU FLF ADU AEU AFU AGU F8A F8Q F8T H2M H2A H2Q H2T H2K H2J H3M H3A H3K H3J H6A H6Q H6T H1U H1F F9U H9F F5G F4S F4P F4Y F6C HDB HDH HRM HRA HRQ HRT HRK HRJ HSM HSA MSK MSJ HUM HUA HUQ HUT HUK HUJ HVM HVA HVQ HVT HVK HVJ HPM HPA HPQ HPT HPK HPJ HQM HQA HQQ HQT HQK HQJ HBU HBF HCU HCF HJU HJF HKU HKF HLU HLF HKU HKF HLU HLF HFU HFF HGU HGF HHU HHF HMS HMD HMY HNS HNY D5M D5A D5Q D5T D5K D5J B8U B8F H7H J5M J5A J5Q J5T J5K J5J J6M J6A J6Q J6T J6K J6J H8U H8F H9U H9F J1U J2S J2P J2Y J4S J4Y J3S J3Y J9M J9A J9J JBM JBA JBT JBJ JCA JCQ JCT JDM JDA JDQ JDT JDK JDJ JFM JFA JFQ JFT JFK JFJ JGM JGA JGQ JGT JGK JGJ J8G JHS JHY JJS JKS JKY FHS FHD FHY FJS FJD FJY)	53Y5125	N

Item #	9482 FRUs	FRU#	CRU
8	Power supply,280W Active PFC power supply for 10L---all countries (models ARV ASK ATK AKM AKJ ALM ALJ AMM AMJ ANM ANJ APM AAU AAF ABU ABF ACU ACF ADU ADF AEU AEF AFU AFF AGU AGF AHS AHP AHY AJS AJY AQC B7G B8G B9G AUU AUF AVU AVF AWU AWF B1U B1F B2U B2F B3U B3F B4U B4F B5U B5F B6U B6F BBS BBD BBY BDS BDP BDD BDY BES BED BEY BFS BFD BFY BGU BGF BHU BHF BJU BJF BKU BKF BNU BNF BPU BPF BCS BCD BCU DAU DAF DDS DDD DDY DES DFS DFD DFY DGS DGD DGY BRS BTM BTA BTQ BTT BTJ BVM BVA BVQ BVT BVJ DLM DLA DLQ DLJ DMM DMA DMQ DMT DMK DMJ EBM ECM EKJ ELJ EMJ ENJ E5M E3M E3A E3Q E3T E3J D4H D5H DCV EVG EWG DBU DBF DHS DHD DHY BQS BQD BQY BWM BWA BWQ BWT BWK BWJ DJA DJQ DKA DKQ DNM DNA DNQ DNT DNK DNJ DPA DPQ DQM DQA DQQ DQT DQJ DRM DRA DRJ DSM DSA DSQ DST DSJ DTM DTA DTQ DTT DTJ DUM DUA DUQ DUT DVA DVQ DWM DWA DWQ DWT D2M D2A D2Q D2T D2J D3A D3Q D7M D8M D9M EAM EPJ EQJ EUJ E6M E6A E6Q E6T E6J E7M E7A E7Q E7T E7K E7J EDJ EFJ EJJ FLU FLF DSM DSA DSQ DST DSJ DTM DTA DTQ DTT DTJ DUM DUA DUQ DUT DVA DVQ DWM DWA DWQ DWT D2M D2A D2Q D2T D2J D3A D3Q D7M D8M D9M EAM EPJ EQJ EUJ E6M E6A E6Q E6T E6J E7M E7A E7Q E7T E7K E7J EDJ EFJ EJJ FLU FLF DSK DTK DUK DWK D2K BSM BUM BUA BUQ BUJ D6M EHJ ERJ ESJ ETJ E4M E2M E2A E2Q E2T E2J E8M E8A E8Q E8T E8K E8J EDJ EFJ EGJ EJJ BLU BLF BMU BMF F9U F9F F9S F9P F9L F9D F9Y F9G F9M F9A F9Q F9T F9C F9B F9H F9V F9K F9R F9E F9J FAU FAF FAS FAP FAL FAD FAY FAG FAM FAQ FAT FAC FAB FAH FAV FAK FAR FAE FAJ FBU FBF FAS FBP FBL FBD FBY FBG FBM FBQ FBT FBC FBB FBH FBV FBK FBR FBE FBJ FLU FLF ADU AEU AFU AGU F8A F8Q F8T H2M H2A H2Q H2T H2K H2J H3M H3A H3K H3J H6A H6Q H6T H1U H1F F9U H9F F5GF4S F4P F4Y F6C HDB HDH HRM HRA HRQ HRT HRK HRJ HSM HSA MSK MSJ HUM HUA HUQ HUT HUK HUJ HVM HVA HVQ HVT HVK HVJ HPM HPA HPQ HPT HPK HPJ HQM HQA HQQ HQT HQK HQJ HBU HBF HCU HCF HJU HJF HKU HKF HLU HLF HKU HKF HLU HLF HFU HFF HGU HGF HHU HHF HMS HMD HMY HNS HNY D5M D5A D5Q D5T D5K D5J B8U B8F H7H J5M J5A J5Q J5T J5K J5J J6M J6A J6Q J6T J6K J6J H8U H8F H9U H9F J1U J2S J2P J2Y J4S J4Y J3S J3Y J9M J9A J9J JBM JBA JBT JBJ JCA JCQ JCT JDM JDA JDQ JDT JDK JDJ JFM JFA JFQ JFT JFK JFJ JGM JGA JGQ JGT JGK JGJ J8G JHS JHY JJS JKS JKY FHS FHD FHY FJS FJD FJY)	41A9701	2

Item #	9482 FRUs	FRU#	CRU
8	Power supply,280W 80+ power supply for 10L---all countries (models ARV ASK ATK AKM AKJ ALM ALJ AMM AMJ ANM ANJ APM AAU AAF ABU ABF ACU ACF ADU ADF AEU AEF AFU AFF AGU AGF AHS AHP AHY AJS AJY AQC B7G B8G B9G AUU AUF AVU AVF AWU AWF B1U B1F B2U B2F B3U B3F B4U B4F B5U B5F B6U B6F BBS BBD BBY BDS BDP BDD BDY BES BED BEY BFS BFD BFY BGU BGF BHU BHF BJU BJF BKU BKF BNU BNF BPU BPF BCS BCD BCY DAU DAF DDS DDD DDY DES DFS DFD DFY DGS DGD DGY BRS BTM BTA BTQ BTT BTJ BVM BVA BVQ BVT BVJ DLM DLA DLQ DLJ DMM DMA DMQ DMT DMK DMJ EBM ECM EKJ ELJ EMJ ENJ E5M E3M E3A E3Q E3T E3J D4H D5H DCV EVG EWG DBU DBF DHS DHD DHY BQS BQD BQY BWM BWA BWQ BWT BWK BWJ DJA DJQ DKA DKQ DNM DNA DNQ DNT DNK DNJ DPA DPQ DQM DQA DQQ DQT DQJ DRM DRA DRJ DSM DSA DSQ DST DSJ DTM DTA DTQ DTT DTJ DUM DUA DUQ DUT DVA DVQ DWM DWA DWQ DWT D2M D2A D2Q D2T D2J D3A D3Q D7M D8M D9M EAM EPJ EQJ EUJ E6M E6A E6Q E6T E6J E7M E7A E7Q E7T E7K E7J EDJ EFJ EJJ FLU FLF DSM DSA DSQ DST DSJ DTM DTA DTQ DTT DTJ DUM DUA DUQ DUT DVA DVQ DWM DWA DWQ DWT D2M D2A D2Q D2T D2J D3A D3Q D7M D8M D9M EAM EPJ EQJ EUJ E6M E6A E6Q E6T E6J E7M E7A E7Q E7T E7K E7J EDJ EFJ EJJ FLU FLF DSK DTK DUK DWK D2K BSM BUM BUA BUQ BUJ D6M EHJ ERJ ESJ ETJ E4M E2M E2A E2Q E2T E2J E8M E8A E8Q E8T E8K E8J EDJ EFJ EGJ EJJ BLU BLF BMU BMF F9U F9F F9S F9P F9L F9D F9Y F9G F9M F9A F9Q F9T F9C F9B F9H F9V F9K F9R F9E F9J FAU FAF FAS FAP FAL FAD FAY FAG FAM FAQ FAT FAC FAB FAH FAV FAK FAR FAE FAJ FBU FBF FAS FBP FBL FBD FBY FBG FBM FBQ FBT FBC FBB FBH FBV FBK FBR FBE FBJ FLU FLF ADU AEU AFU AGU F8A F8Q F8T H2M H2A H2Q H2T H2K H2J H3M H3A H3K H3J H6A H6Q H6T H1U H1F F9U H9F F5GF4S F4P F4Y F6C HDB HDH HRM HRA HRQ HRT HRK HRJ HSM HSA MSK MSJ HUM HUA HUQ HUK HUJ HVM HVA HVQ HVT HVK HVJ HPM HPA HPQ HPT HPK HPJ HQM HQA HQQ HQT HQK HQJ HBU HBF HCU HCF HJU HJF HKU HKF HLU HLF HKU HKF HLU HLF HFU HFF HGU HGF HHU HHF HMS HMD HMY HNS HNY D5M D5A D5Q D5T D5K D5J B8U B8F H7H J5M J5A J5Q J5T J5K J5J J6M J6A J6Q J6T J6K J6J H8U H8F H9U H9F J1U J2S J2P J2Y J4S J4Y J3S J3Y J9M J9A J9J JBM JBA JBT JBJ JCA JCQ JCT JDM JDA JDQ JDT JDK JDJ JFM JFA JFQ JFT JFK JFJ JGM JGA JGQ JGT JGK JGJ J8G JHS JHY JJS JKS JKY)	41A9717	2

The FRUs listed in the following tables are not illustrated.

9482 FRUs	FRU#	CRU
Power switch/LED cable assembly (all models)	41R3391	2
USB cable assembly (all models)	41R3392	2
SATA cable, 120mm (all models)	41R3328	2
SATA cable, 700mm (all models)	39K5026	2
Speaker/Cable assembly (all models)	39K5012	2
System Fan (all models)	41R6042	2
System Fan assembly (all models)	41R6249	2
Floor Stand and Vertical Deflector (all models)	41R6251	1
Cpu Support Module (all models)	41R6252	N
HDD Tray assembly (all models)	41R6253	2
Internal Plastic (all models)	41R6254	2
Bezel, Plastic (all models)	41R6255	2
Front rotating cage assembly (all models)	41R6256	N
Top cover assembly (all models)	41R6257	2

9482 FRUs	FRU#	CRU
Rell IO shield BTX atlantic (all models)	41R6381	N
Temperature Sense cable (460 mm) (all models)	41R2509	2
C2 Intrusion Switch (all models)	39K5022	2
Chassis Atlantic (all models)	41R6275	N
10L FRONT I/O CABLE (all models)	43N9015	2
Cabel-SATA 700mm (RoHS) (all models)	43N9011	2
Universal Adapter Bracket 5.25 to 3.5 (all models)	43N9361	2
ODD mounting kit, 607AT (all models)	43N9362	2
Cardreader Bezel Kit (all models)	43N9363	2
Vertical Stand, Tampa/607CT (all models)	43N9644	N
HDD bracket ASM (all models)	43N9690	2
HDD bracket with cover b, for Toyota, Flex (all models)	43N9691	2
FDD Retainer, 607AT, SFF (LX-607) (all models)	43N9681	2
Fru,Tamdhu chassis primary HDD cage (all models)	45K6272	1
Fru,Tamdhu ruber foot(For acoustic improvement) (all models)	45K6278	2
BATTERY 3V-LITHIUM (TOWER,ROCKYS,LX-607) (models ARV ASK ATK AKM AKJ ALM ALJ AMM AMJ ANM ANJ APM AAU AAF ABU ABF ACU ACF ADU ADF AEU AEF AFU AFF AGU AGF AHS AHP AHY AJS AJY AQC B7G B8G B9G AUU AUF AVU AVF AWU AWF B1U B1F B2U B2F B3U B3F B4U B4F B5U B5F B6U B6F BBS BBD BBY BDS BDP BDD BDY BES BED BEY BFS BFD BFY BGU BGF BHU BHF BJU BJF BKU BKF BNU BNF BPU BPF BCS BCD BCY DAU DAF DDS DDD DDY DES DFS DFD DFY DGS DGD DGY BRS BTM BTA BTQ BTT BTJ BVM BVA BVQ BVT BVJ DLM DLA DLQ DLJ DMM DMA DMQ DMT DMK DMJ EBM ECM EKJ ELJ EMJ ENJ E5M E3M E3A E3Q E3T E3J D4H D5H DCV EVG EWG DBU DBF DHS DHD DHY BQS BQD BQY BWM BWA BWQ BWT BWK BWJ DJA DJQ DKA DKQ DNM DNA DNQ DNT DNK DNJ DPA DPQ DQM DQA DQQ DQT DQJ DRM DRA DRJ DSM DSA DSQ DST DSJ DTM DTA DTQ DTT DTJ DUM DUA DUQ DUT DVA DVQ DWM DWA DWQ DWT D2M D2A D2Q D2T D2J D3A D3Q D7M D8M D9M EAM EPJ EQJ EUJ E6M E6A E6Q E6T E6J E7M E7A E7Q E7T E7K E7J EDJ EFJ EJJ FLU FLF DSK DTK DUJ DWK D2K BSM BUM BUA BUQ BUJ D6M EHJ ERJ ESJ ETJ E4M E2A E2Q E2T E2J E8M E8A E8Q E8T E8K E8J EDJ EFJ EGJ EJJ BLU BLF BMU BMF F9U F9F F9S F9P F9L F9D F9Y F9G F9M F9A F9Q F9T F9C F9B F9H F9V F9K F9R F9E F9J FAU FAF FAS FAP FAL FAD FAY FAG FAM FAQ FAT FAC FAB FAH FAV FAK FAR FAE FAJ FBU FBF FAS FBP FBL FBD FBY FBG FBM FBQ FBT FBC FBB FBH FBV FBK FBR FBE FBJ FLU FLF ADU AEU AFU AGU F8A F8Q F8T H2M H2A H2Q H2T H2K H2J H3M H3A H3K H3J H6A H6Q H6T H1U H1F F9U H9F F5G F4S F4P F4Y F6C HDB HDH HRM HRA HRQ HRT HRK HRJ HSM HSA MSK MSJ HUM HUA HUQ HUT HUK HUJ HVM HVA HVQ HVT HVK HVJ HPM HPA HPQ HPT HPK HPJ HQM HQA HQT HQT HQK HQJ HBU HBF HCU HCF HJU HJF HKU HKF HLU HLF HKU HKF HLU HLF HFU HFF HGU HGF HHU HHF HMS HMD HMY HNS HNY D5M D5A D5Q D5T D5K D5J B8U B8F H7H J5M J5A J5Q J5T J5K J5J J6M J6A J6Q J6T J6K J6J H8U H8F H9U H9F J1U J2S J2P J2Y J4S J4Y J3S J3Y J9M J9A J9J JBM JBA JBT JBJ JCA JCQ JCT JDM JDA JDQ JDT JDK JDJ JFM JFA JFQ JFT JFK JFJ JGM JGA JGQ JGT JGK JGJ J8G JHS JHY JJS JKS JKY FHS FHD FHY FJS FJD FJY)	45C1566	N

9482 Keyboard (Lenovo USB Preferred -- without hub)	FRU#	CRU Tier
US English (models)	41A5039	1
Arabic (models)	41A5040	1
Arabic/French (models)	41A5041	1
Belgian/French (models)	41A5042	1

9482 Keyboard (Lenovo USB Preferred -- without hub)	FRU#	CRU Tier
Belgian/English (models)	41A5043	1
Brazilian Portuguese (models)	41A5044	1
Bulgarian (models)	41A5045	1
Chinese/US (models)	41A5046	1
Czech (models)	41A5047	1
Danish (models)	41A5048	1
Dutch (models)	41A5049	1
French (models)	41A5050	1
French Canadian (models)	41A5051	1
French Canadian (models)	41A5052	1
German (models)	41A5053	1
Greek (models)	41A5054	1
Greek/US (models)	41A5080	1
Hebrew (models)	41A5055	1
Hungarian (models)	41A5056	1
Iceland (models)	41A5057	1
Italian (models)	41A5058	1
Japanese (models)	41A5059	1
Korean (models)	41A5060	1
LA Spanish (models)	41A5061	1
Norwegian (models)	41A5062	1
Polish (models)	41A5063	1
Portuguese (models)	41A5064	1
Romanian (models)	41A5065	1
Russian/Cyrillic (models)	41A5066	1
Serbian/Cyrillic (models)	41A5067	1
Slovak (models)	41A5068	1
Spanish (models)	41A5069	1
Swedish/Finnish (models)	41A5070	1
Swiss (models)	41A5071	1
Thailand (models)	41A5072	1
Turkish (models)	41A5073	1
Turkish (models)	41A5074	1
UK English (models)	41A5075	1
US Euro (models)	41A5076	1
Slovenian (models)	41A5077	1

9482 Keyboard (Lenovo USB Preferred -- without hub)	FRU#	CRU Tier
US English (models AAU ABU ACU ADU AEU AFU AGU AKM ALM AMM ANM APM B7G B8G B9G AUU AVU AWU B1U B2U B3U B4U B5U B6U B7U B8U B9U BPU DAU BTM BTA BTQ BVM BVA BVQ DLM DLA DLQ DMM DMA DMQ EBM ECM E5M E3M E3A E3Q D4H D5H EVG EWG DBU BWM BWA BWQ DJA DJQ DKA DKQ DNM DNA DNQ DPA DPQ DQM DQA DQQ DRM DRA DSM DSA DSQ DTM DTA DTQ DUM DUA DUQ DVA DVQ DWM DWA DWQ D2M D2A D2Q D3A D3Q D7M D8M D9M EAM E6M E6A E6Q E7M E7A E7Q FLU DSM DSA DSQ DTM DTA DTQ DUM DUA DUQ VA DVQ DWM DWA DWQ 2M D2A D2Q D3A D3Q D7M D8M D9M EAM E6M E6A E6Q E7M E7A E7Q FLU BSM BUM BUA BUQ D6M BLU F9U F9G F9M F9A F9Q F9H F9R F9E FAU FAG FAM FAA FAQ FAH FAR FAE FBU FBG FBM FBA FBQ FBH FBR FBE FLU ADU AEU AFU AGU F8A F8Q H2M H2A H2Q H3M H3A H6A H6Q H1U F5G HRM HRA HRQ HSM HSA HUM HUA HUQ HVM HVA HVQ HPM HPA HPQ HQM HQA HQQ HBU HCU HJU HKU HLU HFU HGU HHU B8U D5M D5A D5Q H7H J5M J5A J5Q J6M J6A J6Q H8U H9U J1U J9M J9A JBM JBA JCA JCQ JDM JDA JDQ JFM JFA JFQ JGM JGA JGQ J8G)	41A5289	1
Arabic (models)	41A5290	1
Arabic/French (models B7G B8G B9G EVG EWG F9G FAG FBG F5G J8G)	41A5291	1
Belgian French (models B7G B8G B9G EVG EWG F9G FAG FBG F5G J8G)	41A5292	1
Belgium English (models B7G B8G B9G EVG EWG F9G FAG FBG F5G J8G)	41A5293	1
Brazilian Portuguese (models AHP BDP F9P FAP FBP F4P J2P)	41A5294	1
Bulgarian (models B7G B8G B9G EVG EWG F9G FAG FBG F5G J8G)	41A5295	1
Chinese/US (models ARV DCV F9V FAV FBV HDB)	41A5296	1
Czech (ABB) (models B7G B8G B9G EVG EWG F9G FAG FBG F5G J8G)	41A5297	1
Danish (models B7G B8G B9G EVG EWG F9G FAG FBG F5G J8G)	41A5298	1
Dutch (models B7G B8G B9G EVG EWG F9G FAG FBG F5G J8G)	41A5299	1
French (models B7G B8G B9G EVG EWG F9G FAG FBG F5G J8G)	41A5300	1
French Canadian (models AAF ABF ACF ADF AEF AFF AGF AUF AVF AWF B1F B2F B3F B4F B5F B6F BGF BHF BJF BKF BNF BPF DAF DBF FLF BLF F9F FAF FBF FLF H1F HBF HCF HJF HKF HLF HFF HGF HHF B8F H8F H9F)	41A5301	1
French Canadian (models AAF ABF ACF ADF AEF AFF AGF AUF AVF AWF B1F B2F B3F B4F B5F B6F BGF BHF BJF BKF BNF BPF DAF DBF FLF BLF F9F FAF FBF FLF H1F HBF HCF HJF HKF HLF HFF HGF HHF B8F H8F H9F)	41A5302	1
German (models B7G B8G B9G EVG EWG F9G FAG FBG F5G J8G)	41A5303	1
Greek (models B7G B8G B9G EVG EWG F9G FAG FBG F5G J8G)	41A5304	1
Greek/US (models B7G B8G B9G EVG EWG F9G FAG FBG F5G J8G)	41A5305	1
Hebrew (models B7G B8G B9G EVG EWG F9G FAG FBG F5G J8G)	41A5306	1
Hungarian (models B7G B8G B9G EVG EWG F9G FAG FBG F5G J8G)	41A5307	1
Iceland (models B7G B8G B9G EVG EWG F9G FAG FBG F5G J8G)	41A5308	1
Italian (models B7G B8G B9G EVG EWG F9G FAG FBG F5G J8G)	41A5309	1
Japanese (models AKJ ALJ AMJ ANJ BTJ BVJ DLJ DMJ EKJ ELJ EMJ ENJ E3J BWJ DQJ DRJ DSJ DTJ D2J EPJ EQJ EUJ E6J E7J EDJ EFJ EJJ DSJ DTJ D2J EPJ EQJ EUJ E6J E7J EDJ EFJ EJJ BUJ EHJ ERJ ESJ ETJ F9J FAJ FBJ H2J H3J HRJ HSJ HUJ HVJ HPJ HQJ D5J J5J J6J J9J JBJ JDJ JFJ JGJ)	41A5310	1
Korean (models ASK ATK DMK BWK DNK E7K DSK DTK DUK DWK D2K H2K H3K HRK HSK HUK HVK HPK HQK D5K J5K J6K JDK JFK JGK)	41A5311	1

9482 Keyboard (Lenovo USB Preferred -- without hub)	FRU#	CRU Tier
LA Spanish (models AHS AHY AJS AJY BBS BBD BBY BDS BDD BDY BES BED BEY BFS BFD BFY BCS BCD BCY DDS DDD DDY DES DFS DFD DFY DGS DGD DGY BRS DHS DHD DHY BQS BQD BQY F9S F9D F9Y FAS FAD FAY FBS FBD FBY F4Y HMS HMD HMY HNS HNY J2S J2Y J4S J4Y J3S J3Y JHS JHY JJS JKS JKY FHS FHD FHY FJS FJD FJY)	41A5312	1
Norwegian (models B7G B8G B9G EVG EWG F9G FAG FBG F5G J8G)	41A5313	1
Polish (models B7G B8G B9G EVG EWG F9G FAG FBG F5G J8G)	41A5314	1
Portuguese (models B7G B8G B9G EVG EWG F9G FAG FBG F5G J8G)	41A5315	1
Romanian (models B7G B8G B9G EVG EWG F9G FAG FBG F5G J8G)	41A5317	1
Russian/Cyrillic (models B7G B8G B9G EVG EWG F9G FAG FBG F5G J8G)	41A5318	1
Serbian/Cyrillic (models B7G B8G B9G EVG EWG F9G FAG FBG F5G J8G)	41A5319	1
Slovak (models B7G B8G B9G EVG EWG F9G FAG FBG F5G J8G)	41A5320	1
Spanish (models B7G B8G B9G EVG EWG F9G FAG FBG F5G J8G)	41A5321	1
Swedish/Finnish (models B7G B8G B9G EVG EWG F9G FAG FBG F5G J8G)	41A5322	1
Swiss French/German (models B7G B8G B9G EVG EWG F9G FAG FBG F5G J8G)	41A5323	1
Thailand (models BTT BVT E3T BWT DNT DQT DST DTT DUT DWT D2T E6T E7T DST DTT DUT DWT E6T E7T F9T FAT FBT F8T H2T H4T H5T H6T HRT HUT HVT HPT HQT D5T J5T J6T JBT JCT JDT JFT JGT)	41A5324	1
Turkish (models B7G B8G B9G EVG EWG F9G FAG FBG F5G J8G)	41A5325	1
Turkish (models B7G B8G B9G EVG EWG F9G FAG FBG F5G J8G)	41A5326	1
UK English (models B7G B8G B9G EVG EWG F9G FAG FBG F5G J8G)	41A5327	1
US Euro (models B7G B8G B9G EVG EWG F9G FAG FBG F5G J8G)	41A5328	1
Slovenian (models B7G B8G B9G EVG EWG F9G FAG FBG F5G J8G)	41A5329	1

9482 Keyboard (Lenovo Enhanced Perf, USB Preferred -- with hub)	FRU#	CRU Tier
US English (models)	41A4961	1
Arabic (models)	41A4962	1
Arabic/French (models)	41A4963	1
Belgian/French (models)	41A4964	1
Belgium English (models)	41A4965	1
Brazilian Portuguese (models)	41A4966	1
Bulgarian (models)	41A4967	1
Chinese/US (models)	41A4968	1
Czech (ABB) (models)	41A4969	1
Danish (models)	41A4970	1
Dutch (models)	41A4971	1
French (models)	41A4972	1
French Canadian (models)	41A4973	1
French Canadian (models)	41A4974	1
German (models)	41A4975	1

9482 Keyboard (Lenovo Enhanced Perf, USB Preferred -- with hub)	FRU#	CRU Tier
Greek (models)	41A4976	1
Greek/US (models)	41A5078	1
Hebrew (models)	41A4977	1
Hungarian (models)	41A4978	1
Iceland (models)	41A4979	1
Italy (models)	41A4980	1
Japanese (models)	41A4981	1
Korean (models)	41A4982	1
LA Spanish (models)	41A4983	1
Norwegian (models)	41A4984	1
Polish (models)	41A4985	1
Portuguese (models)	41A4986	1
Romanian (models)	41A4987	1
Russian/Cyrillic (models)	41A4988	1
Serbian/Cyrillic (models)	41A4989	1
Slovak (models)	41A4990	1
Spanish (models)	41A4991	1
Swedish/Finnish (models)	41A4992	1
Swiss French/German (models)	41A4993	1
Thailand (models)	41A4994	1
Turkish (models)	41A4995	1
Turkish (models)	41A4996	1
UK English (models)	41A4997	1
US Euro (models)	41A4998	1
Slovenian (models)	41A4999	1

9482 Keyboard (Lenovo Fingerprint Reader USB)	FRU#	CRU Tier
US English (models)	41A5248	1
Arabic (models)	41A5249	1
Arabic/French (models)	41A5250	1
Belgian French (models)	41A5251	1
Belgium English (models)	41A5252	1
Brazilian Portuguese (models)	41A5253	1
Bulgarian (models)	41A5254	1
Chinese/US (models)	41A5255	1
Czech (ABB) (models)	41A5256	1
Danish (models)	41A5257	1
Dutch (models)	41A5258	1

9482 Keyboard (Lenovo Fingerprint Reader USB)	FRU#	CRU Tier
French (models)	41A5259	1
French Canadian (models)	41A5260	1
French Canadian (models)	41A5261	1
German (models)	41A5262	1
Greek (models)	41A5263	1
Greek/US (models)	41A5264	1
Hebrew (models)	41A5265	1
Hungarian (models)	41A5266	1
Iceland (models)	41A5267	1
Italy (models)	41A5268	1
Japanese (models)	41A5269	1
Korean (models)	41A5270	1
LA Spanish (models)	41A5271	1
Norwegian (models)	41A5272	1
Polish (models)	41A5273	1
Portuguese (models)	41A5274	1
Romanian (models)	41A5276	1
Russian/Cyrillic (models)	41A5277	1
Serbian/Cyrillic (models)	41A5278	1
Slovak (models)	41A5279	1
Spanish (models)	41A5280	1
Swedish/Finnish (models)	41A5281	1
Swiss French/German (models)	41A5282	1
Thailand (models)	41A5283	1
Turkish (models)	41A5284	1
Turkish (models)	41A5285	1
UK English (models)	41A5286	1
US Euro (models)	41A5287	1
Slovenian (models)	41A5288	1

9482 mice	FRU#	CRU
Optical Wheel Mouse (400DPI, USB) (all models)	41U3013	1
Optical Wheel Mouse (400DPI, USB) (all models)	41U3030	1
PS/2 Three Button ball mouse (41R0017) (models)	41R0018	1

9482 Adapters and miscellaneous FRUs	FRU#	CRU
Internal USB Memory Card Reader floppy bay (models)	41R3378	2
USB Memory Key (models)	43R2296	2

9482 Adapters and miscellaneous FRUs	FRU#	CRU
ATI HD 2600XT 512MB 128BIT ATX (models)	43C0261	2
IEEE 1394 Firewire Adapter SFF (models)	41D2781	2
Soft Modem V.90/V.44 SFF (models CTO)	46R4220	2
Internal USB Memory Card Reader Slim (models CTO)	45R1885	1
USB Memory Key - 1G RoW (models)	41U4978	1
ATI HD 2400PRO 128MB 64BIT DMS59 LP (models)	43C0259	2
ATI HD 2400XT 256MB 64BIT DMS59 ATX (models)	43C0260	2
ADD2 DVI Adapter,LP (HDCP) (models EVG DRM DRA DRJ D8M D9M HFU HFF)	43C0258	2
DVI-I connection Adapter Full Height (models E5M FAU FAF FAS FAP FAL FAD FAY FAG FAM FAQ FAT FAC FAB FAH FAV FAK FAR FAE FAJ FBU FBF FBS FBP FBL FBD FBY FBG FBM FBQ FBT FBC FBB FBH FBV FBK FBR FBE FBJ)	39J9334	2
DVI-I connection Adapter Low Profile (models)	39J9334	2
Speaker Power brick - US, Canada, LA low voltage, ASEAN (models AAU ABU ACU ADU AEU AFU AGU AHS AJS AUU AVU AWU B1U B2U B3U B4U B5U B6U BBS BDS BES BFS BGU BHU BJU BKU BNU BPU BCS DAU DDS DES DFS DGS BRS DBU DHS BQS BWA DKADNA DPA DQA DRA DSA DTA DUA DVA DWA D2A D3A E6A E7A FLU BLU BMU F9U FAU FBU F9S FAS FBS BUA E2A E8A E9A FAA FBA FLU ADU AEU AFU AGU F8A H2A H3A H6A H1U F4S HBU HCU HJU HKU HLU HFU HGU HHU B8U HMS HNS HRA HSA HUA HVA HPA HQA D5A J5A J6A H8U H9U J2S J4S J3S J9A JBA JCA JDA JFA JGA JHS JJS JKS FHS FJS)	89P8571	1
Speaker Power brick - LA high voltage (non-APU) (models BBD BDD BED BFD DHD BQD E9D FAD FBD HMD)	89P8575	1
Speaker Power brick - China, Thailand (models AQC E9C FAC FBC F6C F7C HRT HUT HVT HPT HQT D5T J5T J6T JBT JCT JDT JFT JGT)	89P8581	1
Speaker Power brick - Japan (models AKJ ALJ AMJ ANJ BTJ BVJ DLJ DMJ EKJ ELJ EMJ ENJ E3J BWJDNJ DQJ DRJ DSJ DTJ DUJ D2J EPJ EQJ EUJ E6J E7J EDJ EFJ EJJ BUJ EHH ERJ ESJ ETJ E2J E8J EDJ EFJ EGJ EJJ E9J FAJ FBJ H2J HRJ HSJ HJJ HVJ HPJ HQJ D5J J5J J6J J9J JBJ JDJ JFJ JGJ)	89P8577	1
Speaker Power brick - Brazil (models BDP E9P FAP FBP F1P J2P)	89P8583	1
Speaker Power brick - Argentina (models BBY BDY BEY BFY BCY DDY DFY DGY E9Y FAY FBY F4Y HMY HNY J2Y J4Y J3Y JHY JKY FHD FHY FJD FJY)	41A4901	1
Speaker Power brick - ANZ (models AKM ALM AMM ANM APM AAM BTM BVM DLM DMM EBM ECM E5M E3M BWM DNM DQM DRM DSM DTM DUM DWM D2M D7M D8M D9M EAM E6M E7M BSM BUN D6M E4M E2M E8M E9M FAM FBM H2M H3M HRM HSM HUM HVM HPM HQM D5M J5M J6M J9M JBM JDM JFM JGM)	89P8579	1
Speaker Brick - Korea (models ASK ATK DMK BTK BWK DNK E7K DSK DTK DUK DWK D2K E9K FAK FBK H2K H3K HRK HSK HUK HVK HPK HQK D5K J5K J6K)	41A4903	1
Speaker Brick - Hong Kong, EMEA (models B7G B8G B9G EVG EWG E9G FAG FBG F5G HDB HDH H7H)	89P8573	1
Speaker Brick - Taiwan (models E9V FAV FBV)	41A4905	1
Speaker Power brick - India, South Africa (models E9Q FAQ FBQ H2Q H6Q HRQ HUQ HVQ HPQ HQQ D5Q J5Q J6Q JCQ JDQ JFQ JGQ)	89P8585	1
Dongle DMS Dule DMS-59 to dual VGA Cable (models)	42Y8181	2
Dongle DMS Dule DMS-59 to dual DVI Cable (models)	41X6398	2

9482 Line Cords	FRU#	CRU
Line cord - US (models AAU ABU ACU ADU AEU AFU AGU AAF ABF ACF ADF AEF AFF AGF AHS AJS AUU AUF AVU AVF AWU AWF B1U B1F B2U B2F B3U B3F B4U B4F B5U B5F B6U B6F BBS BDS BES BFS BBD BDD BED BFD BGU BGF BHU BHF BJU BJF BKU BKF BNU BNF BPU BPF BCS BCD DAU DAF DDS DDD DES DFS DFD DGS DGD BRS BTA BVA DLA DMA E3A DBU DBF DHS BQS BQD BWA BWT DJA DKA DNA DNT DPA DQT DRA DSA DST DTT DUA DUT DVA DWA DWT D2A D2T D3A E6A E6T E7A E7T DTA FLU FLF BLU BLF BMU BMF E9U E9F FAU FAF FBU FBF E9S FAS FBS E9D FAD FBD E9L FAL FBL E9A FAA FBA E9T FAT FBT FLU FLF ADU AEU AFU AGU F8A H2A H3A H6A H1U H1F F9U H9F F4S HRA HSA HUA HVA HPA HQA D5A HRT HUT HVT HPT HQT D5T H8U H9U H8F H9F J2S J4S J3S J5A J6A J5T J6T J9A JBA JCA JDA JFA JGA JBT JCT JDT JFT JGT FHS FHD FJS FJD)	41R3184	1
Line cord - US (models AAU ABU ACU ADU AEU AFU AGU AAF ABF ACF ADF AEF AFF AGF AHS AJS AUU AUF AVU AVF AWU AWF B1U B1F B2U B2F B3U B3F B4U B4F B5U B5F B6U B6F BBS BDS BES BFS BBD BDD BED BFD BGU BGF BHU BHF BJU BJF BKU BKF BNU BNF BPU BPF BCS BCD DAU DAF DDS DDD DES DFS DFD DGS DGD BRS BTA BVA DLA DMA E3A DBU DBF DHS BQS BQD BWA BWT DJA DKA DNA DNT DPA DQT DRA DSA DST DTT DUA DUT DVA DWA DWT D2A D2T D3A E6A E6T E7A E7T DTA FLU FLF BLU BLF BMU BMF E9U E9F FAU FAF FBU FBF E9S FAS FBS E9D FAD FBD E9L FAL FBL E9A FAA FBA E9T FAT FBT FLU FLF ADU AEU AFU AGU F8A H2A H3A H6A H1U H1F F9U H9F F4S HRA HSA HUA HVA HPA HQA D5A HRT HUT HVT HPT HQT D5T H8U H9U H8F H9F J2S J4S J3S J5A J6A J5T J6T J9A JBA JCA JDA JFA JGA JBT JCT JDT JFT JGT FHS FHD FJS FJD)	41R3185	1
Line cord - China (models AQC E9C FAC FBC F6C F7C)	41R3256	1
Line cord - China (models AQC E9C FAC FBC F6C F7C)	41R3257	1
Line cord - Brazil (models AHP BDP E9P FAP FBP F1P F4P J2P)	41R3270	1
Line cord - Brazil (models AHP BDP E9P FAP FBP F1P F4P J2P)	41R3271	1
Line cord - LA High Volt APU (models AHY AJY BBY BDY BEY BFY BCY DDY DFY DGY DHY BQY E9Y FAY FBY J2Y J4Y J3Y JHY JKY FHY FJY)	41R3176	1
Line Cord - LA High Volt APU (models AHY AJY BBY BDY BEY BFY BCY DDY DFY DGY DHY BQY E9Y FAY FBY J2Y J4Y J3Y JHY JKY FHY FJY)	41R3177	1
Line Cord - Korea (models ASK ATK BTK BWK DNK E7K DSK DTK DUK DWK D2K E9K FAK FBK H2K H3K HRK HSK HUK HVK HPK HQK D5K J5K J6K)	41R3260	1
Line Cord - Korea (models ASK ATK BTK BWK DNK E7K DSK DTK DUK DWK D2K E9K FAK FBK H2K H3K HRK HSK HUK HVK HPK HQK D5K J5K J6K)	41R3261	1
Line Cord - UK, Ireland, Singapore, Malaysia, Brunei (models B7G B8G B9G EVG EWG DJA DKA DNA DPA DRA DSA DTA DUA DVA DWA D2A D3A E6A E7A DTA E9A FAA FBA E9G FAG FBG F8A H2A H3A H6A F5G HRA HSA HUA HVA HPA HQA D5A J5A J6A)	41R3224	1
Line Cord - UK, Ireland, Singapore, Malaysia, Brunei (models B7G B8G B9G EVG EWG DJA DKA DNA DPA DRA DSA DTA DUA DVA DWA D2A D3A E6A E7A DTA E9A FAA FBA E9G FAG FBG F8A H2A H3A H6A F5G HRA HSA HUA HVA HPA HQA D5A J5A J6A)	41R3225	1
Line Cord - Taiwan (models ARV E9V FAV FBV)	41R3278	1
Line Cord - Taiwan (models ARV E9V FAV FBV)	41R3279	1
Line Cord - Italy (models AHS AHY AJS AJY B7G B8G B9G BBS BDS BES BFS BBY BDY BEY BFY BCY DDY DFY DGY DDS DES DFS DGS BRS EVG EWG E9G FAG FBG E9S FAS FBS E9Y FAY FBY F4S F5G J4S J3S J2Y J4Y J3Y J8G JHS JHY JJS JKS JKY)	41R3232	1
Line Cord - Italy (models AHS AHY AJS AJY B7G B8G B9G BBS BDS BES BFS BBY BDY BEY BFY BCY DDY DFY DGY DDS DES DFS DGS BRS EVG EWG E9G FAG FBG E9S FAS FBS E9Y FAY FBY F4S F5G J4S J3S J2Y J4Y J3Y J8G JHS JHY JJS JKS JKY)	41R3233	1
Line Cord - Indonesia, Laos, Cambodia, and Vietnam (models B7G B8G B9G EVG EWG DJA DKA DNA DPA DRA DSA DTA DUA DVA DWA D2A D3A E6A E7A DTA BUA E2A E8A E9A FAA FBA E9G FAG FBG F8A H2A H3A H4A H5A H6A HRA HSA HUA HVA HPA HQA D5A J5A J6A J9A JBA JCA JDA JFA JGA J8G)	41R3208	1

9482 Line Cords	FRU#	CRU
Line Cord - Indonesia, Laos, Cambodia, and Vietnam (models B7G B8G B9G EVG EWG DJA DKA DNA DPA DRA DSA DTA DUA DVA DWA D2A D3A E6A E7A DTA BUA E2A E8A E9A FAA FBA E9G FAG FBG F8A H2A H3A H4A H5A H6A HRA HSA HUA HVA HPA HQA D5A J5A J6A J9A JBA JCA JDA JFA JGA J8G)	41R3209	1
Line Cord - Denmark (models B7G B8G B9G EVG EWG E9G FAG FBG F5G J8G)	41R3212	1
Line Cord - Denmark (models B7G B8G B9G EVG EWG E9G FAG FBG F5G J8G)	41R3213	1
Line Cord - Switzerland (models B7G B8G B9G EVG EWG E9G FAG FBG F5G J8G)	41R3228	1
Line Cord - Switzerland (models B7G B8G B9G EVG EWG E9G FAG FBG F5G J8G)	41R3229	1
Line Cord - Israel (models B7G B8G B9G EVG EWG E9G FAG FBG F5G J8G)	41R3236	1
Line Cord - Israel (models B7G B8G B9G EVG EWG E9G FAG FBG F5G J8G)	41R3237	1
Line Cord - South Africa (models AKM ALM AMM ANM APM B7G B8G B9G BTM BVM DLM DMM EBM ECM E5M E3M EVG EWG BWM DNM DJA DKA DNA DPA DQM DRM DSM DTM DUM DWM D2M D7M D8M D9M EAM E6M E6A DRA DSA DTA DUA DVA DWA D2A D3A E6A E7M E7A DTA E9G FAG FBG BSM BUM D6M E4M E2M E8M E9M FAM FBM BUA E2A E8A E9A FBA FAA H2M H3M H4M H5M F8A H2A H3A H6A HRM HSM HUM HVM HPM HQM D5M HRA HSA HUA HVA HPA HQA D5A J5M J6M J5A J6A J9M JBM JDM JFM JGM J9A JBA JCA JDA JFA JGA J8G)	41R3220	1
Line Cord - South Africa (models AKM ALM AMM ANM APM B7G B8G B9G BTM BVM DLM DMM EBM ECM E5M E3M EVG EWG BWM DNM DJA DKA DNA DPA DQM DRM DSM DTM DUM DWM D2M D7M D8M D9M EAM E6M E6A DRA DSA DTA DUA DVA DWA D2A D3A E6A E7M E7A DTA E9G FAG FBG BSM BUM D6M E4M E2M E8M E9M FAM FBM BUA E2A E8A E9A FBA FAA H2M H3M H4M H5M F8A H2A H3A H6A HRM HSM HUM HVM HPM HQM D5M HRA HSA HUA HVA HPA HQA D5A J5M J6M J5A J6A J9M JBM JDM JFM JGM J9A JBA JCA JDA JFA JGA J8G)	41R3221	1
Line Cord - India (models BTQ BVQ DLQ DMQ EBQ ECQ E5Q E3Q BWQ DJQ DKQ DNQ DPQ DQQ DSQ DSQ DUQ DVQ DWQ D2Q D3Q E6Q E7Q BUQ E2Q E8Q E9Q FAQ FBQ H2Q H4Q H5Q H6Q HRQ HUQ HVQ HPQ HQQ D5Q J5Q J6Q JQC JDQ JFQ JGQ)	41R3341	1
Line Cord - India (models BTQ BVQ DLQ DMQ EBQ ECQ E5Q E3Q BWQ DJQ DKQ DNQ DPQ DQQ DSQ DSQ DUQ DVQ DWQ D2Q D3Q E6Q E7Q BUQ E2Q E8Q E9Q FAQ FBQ H2Q H4Q H5Q H6Q HRQ HUQ HVQ HPQ HQQ D5Q J5Q J6Q JQC JDQ JFQ JGQ)	41R3175	1
Line Cord - Japan (models BUJ EHJ ERJ ESJ ETJ E2J E8J EDJ EFJ EGJ EJJ E9J FAJ FBJ H2J HRJ HSJ HUJ HVJ HPJ HQJ D5J J9J JBJ JDJ JFJ JGJ)	41R3248	1
Line Cord - Japan (models BUJ EHJ ERJ ESJ ETJ E2J E8J EDJ EFJ EGJ EJJ E9J FAJ FBJ H2J HRJ HSJ HUJ HVJ HPJ HQJ D5J J9J JBJ JDJ JFJ JGJ)	41R3249	1
Line Cord - ANZ (models BSM BUM D6M E4M E2M E8M E9M FAM FBM H2M H3M HRM HSM HUM HVM HPM HQM D5M J5M J6M J9M JBM JDM JFM JGM)	41R3196	1
Line Cord - ANZ (models BSM BUM D6M E4M E2M E8M E9M FAM FBM H2M H3M HRM HSM HUM HVM HPM HQM D5M J5M J6M J9M JBM JDM JFM JGM)	41R3197	1
Line Cord - Hong Kong (models E9B E9H FAB FAH FBB FBH HDB HDH H7H)	41R3224	1
Line Cord - Hong Kong (models E9B E9H FAB FAH FBB FBH HDB HDH H7H)	41R3225	1

9482 Windows XP Home Recovery CDs	FRU#	CRU
US/UK/AP/TH (models)	TBD	1
FR/CF (models)	TBD	1
GR (models)	TBD	1
IT (models)	TBD	1
BR (models)	TBD	1

9482 Windows XP Home Recovery CDs	FRU#	CRU
SP/LA (models)	TBD	1
DK (models)	TBD	1
NL (models)	TBD	1
AE (models)	TBD	1
SV (Swedish) (models)	TBD	1
HE (models)	TBD	1
FI (models)	TBD	1
NO (models)	TBD	1
PL (models)	TBD	1
PO (models)	TBD	1
RU (models)	TBD	1
RE (models)	TBD	
HU (models)	TBD	1
CZ (models)	TBD	1
TR (models)	TBD	1
GK (models)	TBD	1
Japanese (models)	TBD	1
Simplified Chinese (models)	TBD	1
Taiwan-TC (models)	TBD	1
Hong Kong-TC (models)	TBD	1
Korean (models)	TBD	1

9482 Windows XP Pro Recovery CDs	FRU#	CRU
US English (models BGU BHU BJU BKU BNU BPU BTM BTA BTQ BVM BVA BVQ DLM DLA DLQ MM DMA DMQ EBM ECM E5M E3M E3A E3Q D4H D5H D6M BLU BMU HDH HRM HRA HRQ HSM HSA HUM HUA HUQ HQM HQA HQQ HJU HKU HLU HFU HGU HHU H7H J5M J5A J5Q J9M J9A JDM JDA JDQ)	45R0756	1
French (models BGF BHF BJF BKF BNF BPF BLF BMF HJF HKF HLF HFF HGF HHF)	45R0759	1
German (models)	45R0760	1
Italian (models)	45R0762	1
Brazilian Portuguese (models J2P)	45R0763	1
Spanish (models BCS BCD BCY DAU DAF DDS DDD DDY DES DFS DFD DFY DGS DGD DGY BRS J3S J3Y J2S J2Y)	45R0761	1
Danish (models)	45R0764	1
Dutch (models)	45R0767	1
Arabic English (models)	45R2342	1
Swedish (models)	45R0765	1
Hebrew (models)	45R2334	1
Finish (models)	45R0766	1
Norwegian (models)	45R0770	1

9482 Windows XP Pro Recovery CDs	FRU#	CRU
Polish (models)	45R0777	1
Portuguese (models)	45R0774	1
Russian (models)	45R0773	1
Russian English (models)	45R2318	1
Hungarian (models)	45R0780	1
Czech (models)	45R0776	1
Turkish (models)	45R0775	1
Greek (models)	45R0772	1
Slovakian (models)	45R2326	1
Japanese (models BTJ BVJ DLJ DMJ EKJ ELJ EMJ ENJ E3J EDJ EFJ EJJ HRJ HSJ HUU HQJ J5J J9J JDJ)	45R0757	1
Simplified Chinese (models)	45R0758	1
Traditional Chinese (models DCV)	45R0768	1
Hong Kong Traditional Chinese (models HDB)	45R0769	1
Korea (models DMK HRK HSK HUK HQK J5K JDK)	45R0771	1
Multilingual 1 XP-Pro -- EN, NL, FR, GR, IT (models)	45R8246	1
Multilingual 2 XP-Pro -- EN, DK, FI, NO, SV (models)	45R8247	1

9482 Vista Home Basic 32 SP1 Recovery DVDs	FRU#	CRU
English (models)	46R7273	1
Japanese (models)	46R7274	1
Simplified Chinese (models)	46R7275	1
French (models)	46R7276	1
German (models)	46R7277	1
Spanish (models)	46R7278	1
Italian (models)	46R7279	1
Brazilian Portuguese (models)	46R7280	1
Danish (models)	46R7281	1
Swedish (models)	45R9758	1
Finland (models)	45R9759	1
Dutch (models)	45R9760	1
Traditional Chinese (models)	46R7282	1
Hong Kong (models)	46R7283	1
Norwegian (models)	46R7284	1
Korean (models)	45R9764	1
Slovenian (models)	45R9765	1
Greek (models)	45R9766	1
Russian (models)	46R7285	1
Portuguese (models)	45R9768	1

9482 Vista Home Basic 32 SP1 Recovery DVDs	FRU#	CRU
Turkish (models)	45R9769	1
Czech (models)	45R9770	1
Polish (models)	45R9771	1
Russian English (models)	46R7286	1
Arabic Localized (models)	45R9773	1
Hebrew (models)	45R9774	1
Hungarian (models)	45R9775	1
Slovakian (models)	45R9776	1

9482 Vista Business 32 SP1 Recovery DVDs	FRU#	CRU
English (models HVM HVA HVQ HPM HPA HPQ HBU HCU D5M D5A D5Q B8U H7H J6M J6A J6Q H8U H9U J1U J9M J9A JBM JBA JDM JDA JDQ JFM JFA JFQ JGM JGA JGQ J8G)	46R7287	1
Japanese (models HVJ HPJ D5J J6J J9J JBJ JDJ JFJ JGJ)	46R7288	1
Simplified Chinese (models)	46R7289	1
French (models HBF HCF B8F H8F H9F J8G)	46R7290	1
German (models J8G)	46R7291	1
Spanish (models HNS HNS J4S J4Y JHS JHY JJS JKS JKY FHS FHD FHY FJS FJD FJY)	46R7292	1
Italian (models J8G)	46R7293	1
Brazilian Portuguese (models)	46R7294	1
Danish (models J8G)	46R7295	1
Swedish (models J8G)	45R9786	1
Finland (models J8G)	45R9787	1
Dutch (models J8G)	45R9788	1
Traditional Chinese (models)	46R7296	1
Hong Kong (models)	46R7297	1
Norwegian (models J8G)	46R7298	1
Korean (models HVK HPK D5K J6K JDK JFK JGK)	45R9792	1
Slovenian (models J8G)	45R9793	1
Greek (models J8G)	45R9794	1
Russian (models J8G)	46R7299	1
Portuguese (models J8G)	45R9796	1
Turkish (models J8G)	45R9797	1
Czech (models J8G)	45R9798	1
Polish (models J8G)	45R9799	1
Russian English (models J8G)	46R7300	1
Arabic Localized (models)	45R9801	1
Hebrew (models J8G)	45R9802	1
Romanian (models J8G)	45R9803	1
Hungarian (models J8G)	45R9804	1

9482 Vista Business 32 SP1 Recovery DVDs	FRU#	CRU
Slovakian (models J8G)	45R9805	1
Serbian-Latin (models)	45R9806	1

9482 Vista VHP SP1 Recovery DVDs	FRU#	CRU
English (models)	46R7315	1
Japanese (models)	46R7316	1
Simplified Chinese (models)	46R7317	1
French (models)	46R7318	1
German (models)	46R7319	1
Spanish (models)	46R7320	1
Italian (models)	46R7321	1
Brazilian Portuguese (models)	46R7322	1
Danish (models)	46R7323	1
Swedish (models)	45R9844	1
Finland (models)	45R9845	1
Dutch (models)	45R9846	1
Traditional Chinese (models)	46R7324	1
Hong Kong (models)	46R7325	1
Norwegian (models)	46R7326	1
Korean (models)	45R9850	1
Slovenian (models)	45R9851	1
Greek (models)	45R9852	1
Russian (models)	46R7327	1
Portuguese (models)	45R9854	1
Turkish (models)	45R9855	1
Czech (models)	45R9856	1
Polish (models)	45R9857	1
Russian English (models)	46R7328	1
Arabic Localized (models)	45R9859	1
Hebrew (models)	45R9860	1
Romanian (models)	45R9861	1
Hungarian (models)	45R9862	1
Slovakian (models)	45R9863	1
Serbian-Latin (models)	45R9864	1

9482 Vista Business 64 Recovery DVDs	FRU#	CRU
English (models)	46R7301	1
Russian English (models)	46R7302	1
French (models)	46R7303	1

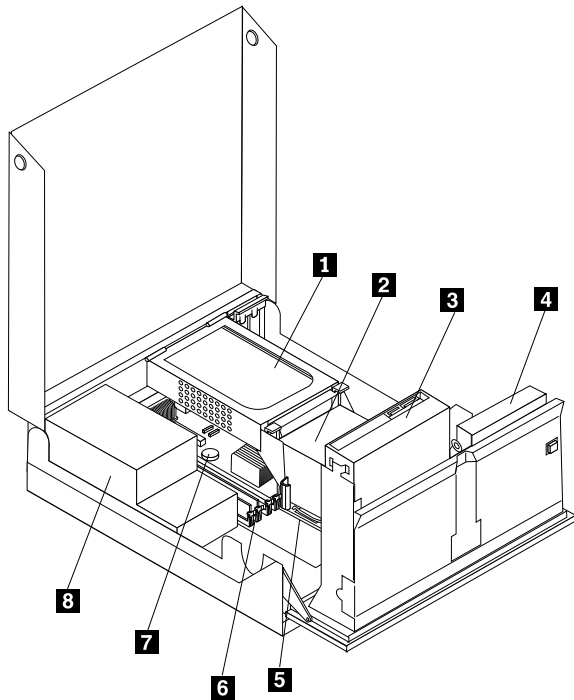
9482 Vista Business 64 Recovery DVDs	FRU#	CRU
German (models)	46R7304	1
Spanish (models)	46R7305	1
Brazilian Portuguese (models)	46R7306	1
Italian (models)	46R7307	1
Japanese (models)	46R7308	1
Norwegian (models)	46R7309	1
Swedish (models)	45R9816	1
Danish (models)	45R9817	1
Dutch (models)	45R9818	1
Czech (models)	46R7310	1
Finnish (models)	46R7311	1
Polish (models)	46R7312	1
Russian (models)	45R9822	1
Turkish (models)	45R9823	1
Hungarian (models)	45R9824	1
Greek (models)	45R9825	1
Simplified Chinese (models)	46R7313	1
Traditional Chinese (models)	45R9827	1
HongKong Traditional Chinese (models)	45R9828	1
Korea (models)	45R9829	1
Slovenian (models)	46R7314	1
Portuguese (models)	45R9831	1
Arabic Localized (models)	45R9832	1
Hebrew (models)	45R9833	1
Slovakian (models)	45R9834	1

9482 Vista Ultimate 32 Recovery DVDs	FRU#	CRU
English (models)	46R7329	1
Japanese (models)	46R7330	1
Simplified Chinese (models)	46R7331	1
French (models)	46R7332	1
German (models)	46R7333	1
Spanish (models)	46R7334	1
Italian (models)	46R7335	1
Brazilian Portuguese (models)	46R7336	1
Danish (models)	46R7337	1
Swedish (models)	45R9874	1
Finland (models)	45R9875	1
Dutch (models)	45R9876	1

9482 Vista Ultimate 32 Recovery DVDs	FRU#	CRU
Traditional Chinese (models)	46R7338	1
Hong Kong (models)	46R7339	1
Norwegian (models)	46R7340	1
Korean (models)	45R9880	1
Slovenian (models)	45R9881	1
Greek (models)	45R9882	1
Russian (models)	46R7341	1
Portuguese (models)	45R9884	1
Turkish (models)	45R9885	1
Czech (models)	45R9886	1
Polish (models)	45R9887	1
Russian English (models)	46R5089	1
Arabic Localized (models)	46R7342	1
Hebrew (models)	45R9890	1
Hungarian (models)	45R9891	1
Slovakian (models)	45R9892	1

9482 Vista Starter 32 Recovery DVDs	FRU#	CRU
English (models)	46R5059	1

Machine Type 9487



Item #	9487 FRUs	FRU#	CRU
1	Hard disk drive,SATA 80GB 7200RPM/3Gb/8MB (models)	40Y9034	2
1	Hard disk drive,SATA 160GB 7200RPM/3Gb/8MB (models AAM AAA AAQ AAK AAJ ABM ADU ADF ADS ADP ADL ADD ADY ADG ADM ADA ADQ ADT ADC ADB ADH ADV ADK ADR ADE ADJ AEU AEF AES AEP AEL AED AEY AEG AEM AEA AEQ AET AEC AEB AEH AEV AEK AER AEE AEJ AFU AFF AFS AFP AFL AFD AFY AFG AFM AFA AFQ AFT AFC AFB AFH AFV AFK AFR AFE AFJ B1U B1F B7U B7F B3U B3F B4U B4F B5U B5F B6U B6F B8G)	40Y9035	2
1	Hard disk drive,SATA 320GB 7200rpm SATA/8MB (models B2M B2J)	87H4891	2
2	Thermal kit (all models)	41R6039	2
3	Optical drive,DVD-ROM Drive - 16x/48x - SATA Vista & non-Vista (models B6U B6F)	41N3325	2
3	Optical drive,DVD-ROM/CD-RW Combo Drive - 48x/32x/48x/16x - SATA Vista & non-Vista (models ADU ADF ADS ADP ADL ADD ADY ADG ADM ADA ADQ ADT ADC ADB ADH ADV ADK ADR ADE ADJ AEU AEF AES AEP AEL AED AEY AEG AEM AEA AEQ AET AEC AEB AEH AEV AEK AER AEE AEJ AFU AFF AFS AFP AFL AFD AFY AFG AFM AFA AFQ AFT AFC AFB AFH AFV AFK AFR AFE AFJ)	42Y9353	2
3	Optical drive,DVD-RW/CD-RW Rambo 8 - SATA Vista & non-Vista (models AAM AAA AAQ AAK AAJ ABM ACM ACA ACQ ACT ACK ACJ AGU AGF AGS AGP AGL AGD AGY AGG AGM AGA AGQ AGT AGC AGB AGH AGV AGK AGR AGE AGJ B2M B2J B1U B1F B7U B7F B3U B3F B4U B4F B5U B5F B8G J8M J8A J8Q J8T J8K J8J J7G)	43C1042	2
5	Microprocessor, Celeron 420 CONROE-L 800/1600MHZ-512K,LGA,EM64T(models)	43C3835	N
5	Microprocessor, Celeron 430 CONROE-L 800/1800MHZ-512K,LGA,EM64T(models)	43C1964	N
5	Microprocessor, Celeron 440 CONROE-L 800/2000MHZ-512K,LGA,EM64T(models)	43C1965	N
5	Microprocessor, Pentium Dual-core E2140 CONROE-L 800/1600MHZ-1M, LGA, EM64T (models)	43C1967	N
5	Microprocessor, Pentium Dual-core E2160 CONROE-L 800/1800MHZ-1M, LGA, EM64T (models)	43C1968	N
5	Microprocessor, Core 2 Duo E4400 L2 CONROE 800/2000MHZ-2M, LGA, EM64T(models)	43C2056	N
5	Microprocessor, Core 2 Duo E6400 B2 CONROE 1066/2130MHZ-2M, LGA, EM64T L2 Value (models)	41X2496	N
2	Microprocessor, Pentium Dual-core E2200 CONROE-L 800/2200MHZ-1M, LGA, EM64T - NPI (models CTO)	45C5349	N
2	Microprocessor, Pentium Dual-core E2180 CONROE-L 800/2000MHZ-1M, LGA, EM64T - NPI (models CTO)	45C1773	N
2	Microprocessor, Pentium Dual-core E2220 CONROE-L 800/2400MHZ-1M, LGA, EM64T - NPI (models CTO)	45C1774	N
2	Microprocessor, Core 2 Duo E4600 M0 CONROE 800/2400MHZ-2M, LGA, EM64T - NPI (models CTO)	45C5282	N
2	Microprocessor, Core 2 Duo E4500 M0 CONROE 800/2200MHZ-2M, LGA, EM64T (models CTO)	43C6305	N
2	Microprocessor, Core 2 Duo E6850 G0 CONROE 1333/3000MHZ-4M, LGA, EM64T (models CTO)	43C1694	N
2	Microprocessor, Core 2 Duo E6750 G0 CONROE 1333/2660MHZ-4M, LGA, EM64T (models CTO)	43C1693	N
2	Microprocessor, Core 2 Duo E6550 G0 CONROE 1333/2330MHZ-4M, LGA, EM64T (models CTO)	43C3833	N

Item #	9487 FRUs	FRU#	CRU
2	Microprocessor, Core 2 Quad G-0 Q6700 KENTSFIELD 1066/2660MHZ-8M (models CTO)	43C6309	N
2	Microprocessor, Core 2 Quad G-0 Q6600 KENTSFIELD 1066/2400MHZ-8M (models CTO)	43C1695	N
2	Microprocessor, Core 2 Duo E8500 WOLFDAL E 1333/3160MHZ-6M (models CTO)	45C7735	N
2	Microprocessor, Core 2 Duo E8400 WOLFDAL E 1333/3000MHZ-6M (models CTO)	45C7736	N
2	Microprocessor, Core 2 Duo E8200 WOLFDAL E 1333/2660MHZ-6M (models CTO)	45C7738	N
2	Microprocessor, Core 2 Duo E8190 WOLFDAL E 1333/2660MHZ-6M - NON VT/Vpro (models CTO)	45R2568	N
2	Microprocessor, Core 2 Quad Q9550 C-1 YORKFIELD 2.83GHz 1333MHZ FSB 12M L2 (models CTO)	45C7739	N
2	Microprocessor, Core 2 Quad Q9450 C-1 YORKFIELD 2.66GHz 1333MHZ FSB 12M L2 (models CTO)	45C7740	N
2	Microprocessor, Core 2 Quad Q9300 M-1 YORKFIELD 2.5GHz 1333MHZ FSB 6M L2 (models CTO)	45C7741	N
2	Microprocessor, Core 2 Duo E8300 C-0 WOLFDAL E 2.83GHz 1333MHZ FSB 6M L2 (models CTO)	45C7737	N
2	Microprocessor, Core 2 Duo E7300 M-0 2.66GHz 1066MHz FSB 3M L2 (models CTO)	46R1622	N
2	Microprocessor, Core 2 Duo E7200 M-0 2.53GHz 1066MHz FSB 3M L2 (models CTO)	45R8337	N
2	Microprocessor, Core 2 Duo E4700 G-0 2.6GHz 800MHz FSB 2M L2 (models CTO)	45R5786	N
2	Microprocessor, Celeron Dual Core E1400 M-0 2.0GHz 800MHz FSB 512K L2 (models CTO)	45R8339	N
2	Microprocessor, Celeron Dual Core E1200 M-0 1.6GHz 800MHz FSB 512K L2, LGA, EM64T - NPI (models CTO)	45R8341	N
2	Microprocessor, Core 2 Duo E8600 E-0 WOLFDAL E 3.33GHz 1333MHZ FSB 6M L2 (models CTO)	46R8640	N
2	Microprocessor, Pentium Dual Core E5200 M-0 WOLFDAL E 2.5GHz 800MHZ FSB 2M L2 (models CTO)	46R9512	N
6	Memory module,512 MB PC-5300 (667MHz) DDR2 SDRAM (models ABM)	41X4255	2
6	Memory module,1 GB PC-5300 (667MHz) DDR2 SDRAM (models ADU ADF ADS ADP ADL ADD ADY ADG ADM ADA ADQ ADT ADC ADB ADH ADV ADK ADR ADE ADJ AEU AEF AES AEP AEL AED AEY AEG AEM AEA AEQ AET AEC AEB AEH AEV AEK AER AEE AEJ AFU AFF AFS AFP AFL AFD AFY AFG AFM AFA AFQ AFT AFC AFB AFH AFV AFK AFR AFE AFJ AGU AGF AGS AGP AGL AGD AGY AGG AGM AGA AGQ AGT AGC AGB AGH AGV AGK AGR AGE AGJ B1U B1F B7U B7F B3U B3F B5U B5F B6U B6F B8G)	41X4256	2
6	Memory module,2 GB PC-5300 (667MHz) DDR2 SDRAM (models AAM AAA AAQ AAK AAJ ABM ACM ACA ACQ ACT ACK ACJ B2M B2J B4U B4F J8M J8A J8Q J8T J8K J8J J7G)	41X4257	2
6	Memory module,512 MB PC2-6400 (800MHz) DDR2 SDRAM (models)	41X1079	2
6	Memory module,1GB PC-6400 (800MHz) DDR2 SDRAM (models)	41X1080	2
6	Memory module,2GB PC-6400 (800MHz) DDR2 SDRAM (models)	41X1081	2

Item #	9487 FRUs	FRU#	CRU
7	System board, Intel G31 nano-BTX GA Level (models AAM AAA AAQ AAK AAJ ABM ACM ACA ACQ ACT ACK ACJ ADU ADF ADS ADP ADL ADD ADY ADG ADM ADA ADQ ADT ADC ADB ADH ADV ADK ADR ADE ADJ AEU AEF AES AEP AEL AED AEY AEG AEM AEA AEQ AET AEC AEB AEH AEV AEK AER AEE AEJ AFU AFF AFS AFP AFL AFD AFY AFG AFM AFA AFQ AFT AFC AFB AFH AFV AFK AFR AFE AFJ AGU AGF AGS AGP AGL AGD AGY AGG AGM AGA AGQ AGT AGC AGB AGH AGV AGK AGR AGE AGJ B2M B2J B1U B1F B7U B7F B3U B3F B4U B4F B5U B5F B6U B6F B8G J8M J8A J8Q J8T J8K J8J J7G)	53Y5125	N
8	Power supply,280W Active PFC power supply for 10L---all countries (models AAM AAA AAQ AAK AAJ ABM ACM ACA ACQ ACT ACK ACJ ADU ADF ADS ADP ADL ADD ADY ADG ADM ADA ADQ ADT ADC ADB ADH ADV ADK ADR ADE ADJ AEU AEF AES AEP AEL AED AEY AEG AEM AEA AEQ AET AEC AEB AEH AEV AEK AER AEE AEJ AFU AFF AFS AFP AFL AFD AFY AFG AFM AFA AFQ AFT AFC AFB AFH AFV AFK AFR AFE AFJ AGU AGF AGS AGP AGL AGD AGY AGG AGM AGA AGQ AGT AGC AGB AGH AGV AGK AGR AGE AGJ B2M B2J B1U B1F B7U B7F B3U B3F B4U B4F B5U B5F B6U B6F B8G J8M J8A J8Q J8T J8K J8J J7G)	41A9701	2
8	Power supply,280W 80+ power supply for 10L---all countries (models AAM AAA AAQ AAK AAJ ABM ACM ACA ACQ ACT ACK ACJ ADU ADF ADS ADP ADL ADD ADY ADG ADM ADA ADQ ADT ADC ADB ADH ADV ADK ADR ADE ADJ AEU AEF AES AEP AEL AED AEY AEG AEM AEA AEQ AET AEC AEB AEH AEV AEK AER AEE AEJ AFU AFF AFS AFP AFL AFD AFY AFG AFM AFA AFQ AFT AFC AFB AFH AFV AFK AFR AFE AFJ AGU AGF AGS AGP AGL AGD AGY AGG AGM AGA AGQ AGT AGC AGB AGH AGV AGK AGR AGE AGJ B2M B2J B1U B1F B7U B7F B3U B3F B4U B4F B5U B5F B6U B6F B8G J8M J8A J8Q J8T J8K J8J J7G)	41A9717	2

The FRUs listed in the following tables are not illustrated.

9487 FRUs	FRU#	CRU
Power switch/LED cable assembly (all models)	41R3391	2
USB cable assembly (all models)	41R3392	2
SATA cable, 120mm (all models)	41R3328	2
SATA cable, 700mm (all models)	39K5026	2
Speaker/Cable assembly (all models)	39K5012	2
Temperature Sense cable (460 mm) (all models)	41R2509	2
System Fan (all models)	41R6042	2
System Fan assembly (all models)	41R6249	2
Cpu Support Module (all models)	41R6252	N
HDD Tray assembly (all models)	41R6253	2
Internal Plastic (all models)	41R6254	2
Bezel, Plastic (all models)	41R6255	2
Front rotating cage assembly (all models)	41R6256	N
Top cover assembly (all models)	41R6257	2
L1-C2 intrusion switch (all models)	39K5022	2
Fan for SFF (all models)	41R6042	2
Rel IO shield BTX atlantic (all models)	41R6381	N
Temperature Sense cable (460 mm) (all models)	41R2509	2

9487 FRUs	FRU#	CRU
C2 Intrusion Switch (all models)	39K5022	2
Intel 95W/65W heatsink Kit (all models)	41R6039	2
Chassis atlantic (all models)	41R6275	N
10L FRONT I/O CABLE (models)	43N9015	2
Cabel-SATA 700mm (RoHS) (all models)	43N9011	2
Universal Adapter Bracket 5.25 to 3.5 (all models)	43N9361	2
ODD mounting kit (all models)	43N9362	2
Cardreader Bezel Kit (all models)	43N9363	2
Vertical Stand, Tampa/607CT (all models)	43N9644	N
FDD Retainer, 607AT, SFF (LX-607) (all models)	43N9681	2
HDD bracket ASM (all models)	43N9690	2
HDD bracket with cover b, for Toyota, Flex (all models)	43N9691	2
Fru,Tamdhu chassis primary HDD cage (all models)	45K6272	1
Fru,Tamdhu ruber foot(For acoustic improvement) (all models)	45K6278	2
BATTERY 3V-LITHIUM (TOWER,ROCKYS,LX-607) (models AAM AAA AAQ AAK AAJ ABM ACM ACA ACQ ACT ACK ACJ ADU ADF ADS ADP ADL ADD ADY ADG ADM ADA ADQ ADT ADC ADB ADH ADV ADK ADR ADE ADJ AEU AEF AES AEP AEL AED AEY AEG AEM AEA AEQ AET AEC AEB AEH AEV AEK AER AEE AEJ AFU AFF AFS AFP AFL AFD AFY AFG AFM AFA AFQ AFT AFC AFB AFH AFV AFK AFR AFE AFJ AGU AGF AGS AGP AGL AGD AGY AGG AGM AGA AGQ AGT AGC AGB AGH AGV AGK AGR AGE AGJ B2M B2J B1U B1F B7U B7F B3U B3F B4U B4F B5U B5F B6U B6F B8G J8M J8A J8Q J8T J8K J8J J7G)	45C1566	N

9487 Keyboard (Lenovo USB Preferred -- without hub)	FRU#	CRU Tier
US English (models)	41A5039	1
Arabic (models)	41A5040	1
Arabic/French (models)	41A5041	1
Belgian/French (models)	41A5042	1
Belgian/English (models)	41A5043	1
Brazilian Portuguese (models)	41A5044	1
Bulgarian (models)	41A5045	1
Chinese/US (models)	41A5046	1
Czech (models)	41A5047	1
Danish (models)	41A5048	1
Dutch (models)	41A5049	1
French (models)	41A5050	1
French Canadian (models)	41A5051	1
French Canadian (models)	41A5052	1
German (models)	41A5053	1
Greek (models)	41A5054	1
Greek/US (models)	41A5080	1

9487 Keyboard (Lenovo USB Preferred -- without hub)	FRU#	CRU Tier
Hebrew (models)	41A5055	1
Hungarian (models)	41A5056	1
Iceland (models)	41A5057	1
Italian (models)	41A5058	1
Japanese (models)	41A5059	1
Korean (models)	41A5060	1
LA Spanish (models)	41A5061	1
Norwegian (models)	41A5062	1
Polish (models)	41A5063	1
Portuguese (models)	41A5064	1
Romanian (models)	41A5065	1
Russian/Cyrillic (models)	41A5066	1
Serbian/Cyrillic (models)	41A5067	1
Slovak (models)	41A5068	1
Spanish (models)	41A5069	1
Swedish/Finnish (models)	41A5070	1
Swiss (models)	41A5071	1
Thailand (models)	41A5072	1
Turkish (models)	41A5073	1
Turkish (models)	41A5074	1
UK English (models)	41A5075	1
US Euro (models)	41A5076	1
Slovenian (models)	41A5077	1

9487 Keyboard (Lenovo USB Preferred -- without hub)	FRU#	CRU Tier
US English (models AAM AAA AAQ ABM ACM ACA ACQ ADU ADG ADM ADA ADQ ADH ADR ADE AEU AEG AEM AEA AEQ AEH AER AEE AFU AFG AFM AFA AFQ AFH AFR AFE AGU AGG AGM AGA AGQ AGH AGR AGE B2M B1U B7U B3U B4U B5U B6U B8G J8M J8A J8Q J7G)	41A5289	1
Arabic (models)	41A5290	1
Arabic/French (models ADG AEG AFG AGG B8G J7G)	41A5291	1
Belgian French (models ADG AEG AFG AGG B8G J7G)	41A5292	1
Belgium English (models ADG AEG AFG AGG B8G J7G)	41A5293	1
Brazilian Portuguese (models ADG AEP AFP AGP)	41A5294	1
Bulgarian (models ADG AEG AFG AGG B8G J7G)	41A5295	1
Chinese/US (models ADB ADH AEB AEH AFB AFH AGB AGH)	41A5296	1
Czech (ABB) (models ADG AEG AFG AGG B8G J7G)	41A5297	1
Danish (models ADG AEG AFG AGG B8G J7G)	41A5298	1
Dutch (models ADG AEG AFG AGG B8G J7G)	41A5299	1

9487 Keyboard (Lenovo USB Preferred -- without hub)	FRU#	CRU Tier
French (models ADG AEG AFG AGG B8G J7G)	41A5300	1
French Canadian (models ADF AEF AFF AGF B1F B7F B3F B4F B5F B6F)	41A5301	1
French Canadian (models ADF AEF AFF AGF B1F B7F B3F B4F B5F B6F)	41A5302	1
German (models ADG AEG AFG AGG B8G J7G)	41A5303	1
Greek (models ADG AEG AFG AGG B8G J7G)	41A5304	1
Greek/US (models ADG AEG AFG AGG B8G J7G)	41A5305	1
Hebrew (models ADG AEG AFG AGG B8G J7G)	41A5306	1
Hungarian (models ADG AEG AFG AGG B8G J7G)	41A5307	1
Iceland (models ADG AEG AFG AGG B8G J7G)	41A5308	1
Italy (models ADG AEG AFG AGG B8G J7G)	41A5309	1
Japanese (models AAJ ACJ ADJ AEJ AFJ AGJ B2J J8J)	41A5310	1
Korean (models AAK ACK ADK AEK AFK AGK J8K)	41A5311	1
LA Spanish (models ADS ADD ADY AES AED AEY AFS AFD AFY AGS AGD AGY)	41A5312	1
Norwegian (models ADG AEG AFG AGG B8G J7G)	41A5313	1
Polish (models ADG AEG AFG AGG B8G J7G)	41A5314	1
Portuguese (models ADG AEG AFG AGG B8G J7G)	41A5315	1
Romanian (models ADG AEG AFG AGG B8G J7G)	41A5317	1
Russian/Cyrillic (models ADG AEG AFG AGG B8G J7G)	41A5318	1
Serbian/Cyrillic (models ADG AEG AFG AGG B8G J7G)	41A5319	1
Slovak (models ADG AEG AFG AGG B8G J7G)	41A5320	1
Spanish (models ADG AEG AFG AGG B8G J7G)	41A5321	1
Swedish/Finnish (models ADG AEG AFG AGG B8G J7G)	41A5322	1
Swiss French/German (models ADG AEG AFG AGG B8G J7G)	41A5323	1
Thailand (models ACT ADT AET AFT AGT J8T)	41A5324	1
Turkish (models ADG AEG AFG AGG B8G J7G)	41A5325	1
Turkish (models ADG AEG AFG AGG B8G J7G)	41A5326	1
UK English (models ADG AEG AFG AGG B8G J7G)	41A5327	1
US Euro (models ADG AEG AFG AGG B8G J7G)	41A5328	1
Slovenian (models ADG AEG AFG AGG B8G J7G)	41A5329	1

9487 Keyboard (Lenovo Enhanced Perf, USB Preferred -- with hub)	FRU#	CRU Tier
US English (models)	41A4961	1
Arabic (models)	41A4962	1
Arabic/French (models)	41A4963	1
Belgian/French (models)	41A4964	1
Belgium English (models)	41A4965	1
Brazilian Portuguese (models)	41A4966	1
Bulgarian (models)	41A4967	1

9487 Keyboard (Lenovo Enhanced Perf, USB Preferred -- with hub)	FRU#	CRU Tier
Chinese/US (models)	41A4968	1
Czech (ABB) (models)	41A4969	1
Danish (models)	41A4970	1
Dutch (models)	41A4971	1
French (models)	41A4972	1
French Canadian (models)	41A4973	1
French Canadian (models)	41A4974	1
German (models)	41A4975	1
Greek (models)	41A4976	1
Greek/US (models)	41A5078	1
Hebrew (models)	41A4977	1
Hungarian (models)	41A4978	1
Iceland (models)	41A4979	1
Italy (models)	41A4980	1
Japanese (models)	41A4981	1
Korean (models)	41A4982	1
LA Spanish (models)	41A4983	1
Norwegian (models)	41A4984	1
Polish (models)	41A4985	1
Portuguese (models)	41A4986	1
Romanian (models)	41A4987	1
Russian/Cyrillic (models)	41A4988	1
Serbian/Cyrillic (models)	41A4989	1
Slovak (models)	41A4990	1
Spanish (models)	41A4991	1
Swedish/Finnish (models)	41A4992	1
Swiss French/German (models)	41A4993	1
Thailand (models)	41A4994	1
Turkish (models)	41A4995	1
Turkish (models)	41A4996	1
UK English (models)	41A4997	1
US Euro (models)	41A4998	1
Slovenian (models)	41A4999	1

9487 Keyboard (Lenovo Fingerprint Reader USB)	FRU#	CRU Tier
US English (models)	41A5248	1
Arabic (models)	41A5249	1
Arabic/French (models)	41A5250	1

9487 Keyboard (Lenovo Fingerprint Reader USB)	FRU#	CRU Tier
Belgian French (models)	41A5251	1
Belgium English (models)	41A5252	1
Brazilian Portuguese (models)	41A5253	1
Bulgarian (models)	41A5254	1
Chinese/US (models)	41A5255	1
Czech (ABB) (models)	41A5256	1
Danish (models)	41A5257	1
Dutch (models)	41A5258	1
French (models)	41A5259	1
French Canadian (models)	41A5260	1
French Canadian (models)	41A5261	1
German (models)	41A5262	1
Greek (models)	41A5263	1
Greek/US (models)	41A5264	1
Hebrew (models)	41A5265	1
Hungarian (models)	41A5266	1
Iceland (models)	41A5267	1
Italy (models)	41A5268	1
Japanese (models)	41A5269	1
Korean (models)	41A5270	1
LA Spanish (models)	41A5271	1
Norwegian (models)	41A5272	1
Polish (models)	41A5273	1
Portuguese (models)	41A5274	1
Romanian (models)	41A5276	1
Russian/Cyrillic (models)	41A5277	1
Serbian/Cyrillic (models)	41A5278	1
Slovak (models)	41A5279	1
Spanish (models)	41A5280	1
Swedish/Finnish (models)	41A5281	1
Swiss French/German (models)	41A5282	1
Thailand (models)	41A5283	1
Turkish (models)	41A5284	1
Turkish (models)	41A5285	1
UK English (models)	41A5286	1
US Euro (models)	41A5287	1
Slovenian (models)	41A5288	1

9487 mice	FRU#	CRU
Optical Wheel Mouse (400DPI, USB) (models AAM AAA AAQ AAK AAJ ABM ACM ACA ACQ ACT ACK ACJ ADU ADF ADS ADP ADL ADD ADY ADG ADM ADA ADQ ADT ADC ADB ADH ADV ADK ADR ADE ADJ AEU AEF AES AEP AEL AED AEY AEG AEM AEA AEQ AET AEC AEB AEH AEV AEK AER AEE AEJ AFU AFF AFS AFP AFL AFD AFY AFG AFM AFA AFQ AFT AFC AFB AFH AFV AFK AFR AFE AFJ AGU AGF AGS AGP AGL AGD AGY AGG AGM AGA AGQ AGT AGC AGB AGH AGV AGK AGR AGE AGJ B2M B2J B1U B1F B7U B7F B3U B3F B4U B4F B5U B5F B6U B6F B8G J8M J8A J8Q J8T J8K J8J J7G)	41U3013	1
Optical Wheel Mouse (400DPI, USB) (models AAM AAA AAQ AAK AAJ ABM ACM ACA ACQ ACT ACK ACJ ADU ADF ADS ADP ADL ADD ADY ADG ADM ADA ADQ ADT ADC ADB ADH ADV ADK ADR ADE ADJ AEU AEF AES AEP AEL AED AEY AEG AEM AEA AEQ AET AEC AEB AEH AEV AEK AER AEE AEJ AFU AFF AFS AFP AFL AFD AFY AFG AFM AFA AFQ AFT AFC AFB AFH AFV AFK AFR AFE AFJ AGU AGF AGS AGP AGL AGD AGY AGG AGM AGA AGQ AGT AGC AGB AGH AGV AGK AGR AGE AGJ B2M B2J B1U B1F B7U B7F B3U B3F B4U B4F B5U B5F B6U B6F B8G J8M J8A J8Q J8T J8K J8J J7G)	41U3030	1
PS/2 Three Button ball mouse (41R0017) (models)	41R0018	1

9487 Adapters and miscellaneous FRUs	FRU#	CRU
USB Memory Key - 1G RoW (models)	41U4978	1
USB Memory Key (models)	43R2296	2
Soft Modem V.90/V.44 SFF (models CTO)	46R4220	2
IEEE 1394 Firewire Adapter SFF (models)	41D2781	2
Internal USB Memory Card Reader Slim (models)	45R1885	1
ATI HD 2400PRO 128MB 64BIT DMS59 LP (models)	43C0259	2
ATI HD 2400XT 256MB 64BIT DMS59 ATX (models)	43C0260	2
ADD2 DVI Adapter,LP (HDCP) (models)	43C0258	2
DVI-I connection Adapter Full Height (models ABM AFU AFF AFS AFP AFL AFD AFY AFG AFM AFA AFQ AFT AFC AFB AFH AFV AFK AFR AFE AFJ AGU AGF AGS AGP AGL AGD AGY AGG AGM AGA AGQ AGT AGC AGB AGH AGV AGK AGR AGE AGJ B2M B2J)	39J9334	2
Speaker Power brick - US, Canada, LA low voltage, ASEAN (models AAA ADU AEU AFU AGU ADS AES AFS AGS ADA AEA AFA AGA B1U B7U B3U B4U B5U B6U J8A)	89P8571	1
Speaker Power brick - LA high voltage (non-APU) (models ADD AED AFD AGD)	89P8575	1
Speaker Power brick - China, Thailand (models ADT ADC AET AEC AFT AFC AGT AGC J8T)	89P8581	1
Speaker Power brick - Japan (models AAJ ADJ AEJ AFJ AGJ B2J J8J)	89P8577	1
Speaker Power brick - Brazil (models AAP ADP AEP AFP AGP)	89P8583	1
Speaker Power brick - Argentina (models AAY ADY AEY AFY AGY)	41A4901	1
Speaker Power brick - ANZ (models AAM ABM ACM ADM AEM AFM AGM B2M J8M)	89P8579	1
Speaker Brick - Korea (models AAK ACK ADK AEK AFK AGK J8K)	41A4903	1
Speaker Brick - Hong Kong, EMEA (models ADB AEB AFB AGB ADH AEH AFH AGH B8G J7G)	89P8573	1
Speaker Brick - Taiwan (models ADV AEV AFV AGV)	41A4905	1
Speaker Power brick - India, South Africa (models AAQ ADQ AEQ AFQ AGQ J8Q)	89P8585	1
Dongle DMS Dule DMS-59 to dual VGA Cable(models)	42Y8181	2
Dongle DMS Dule DMS-59 to dual DVI Cable (models)	41X6398	2

9356 Line Cords	FRU#	CRU
Line cord - US (models AAA ACA ACT ADU ADF ADS ADD ADL ADA ADT AEU AEF AES AED AEL AEA AET AFU AFF AFS AFD AFL AFA AFT AGU AGF AGS AGD AGL AGA AGT B1U B1F B7U B7F B3U B3F B4U B4F B5U B5F B6U B6F J8A J8T)	41R3184	1
Line cord - US (models AAA ACA ACT ADU ADF ADS ADD ADL ADA ADT AEU AEF AES AED AEL AEA AET AFU AFF AFS AFD AFL AFA AFT AGU AGF AGS AGD AGL AGA AGT B1U B1F B7U B7F B3U B3F B4U B4F B5U B5F B6U B6F J8A J8T)	41R3185	1
Line cord - China (models ADC AEC AFC AGC)	41R3256	1
Line cord - China (models ADC AEC AFC AGC)	41R3257	1
Line cord - Brazil (models ADP AEP AFP AGP)	41R3270	1
Line cord - Brazil (models ADP AEP AFP AGP)	41R3271	1
Line cord - LA High Volt APU (models ADD AED AFD AGD)	41R3176	1
Line Cord - LA High Volt APU (models ADD AED AFD AGD)	41R3177	1
Line Cord - Korea (models AAK ACK ADK AEK AFK AGK)	41R3260	1
Line Cord - Korea (models AAK ACK ADK AEK AFK AGK)	41R3261	1
Line Cord - UK, Ireland, Singapore, Malaysia, Brunei (models AAA ACA ADA AEA AFA AGA J8A)	41R3224	1
Line Cord - UK, Ireland, Singapore, Malaysia, Brunei (models AAA ACA ADA AEA AFA AGA J8A)	41R3225	1
Line Cord - Taiwan (models ADV AEV AFV AGV)	41R3278	1
Line Cord - Taiwan (models ADV AEV AFV AGV)	41R3279	1
Line Cord - Italy (models ADS SDY ADL ADG AES AEY AEL AED AFS AFY AFL AFG AGS AGY AGL AGD B8G J7G)	41R3232	1
Line Cord - Italy (models ADS SDY ADL ADG AES AEY AEL AED AFS AFY AFL AFG AGS AGY AGL AGD B8G J7G)	41R3233	1
Line Cord - Indonesia, Laos, Cambodia, and Vietnam (models AAA ACA ADA AEA AFA AGA J8A)	41R3208	1
Line Cord - Indonesia, Laos, Cambodia, and Vietnam (models AAA ACA ADA AEA AFA AGA J8A)	41R3209	1
Line Cord - Denmark (models ADG AEG AFG AGG B8G)	41R3212	1
Line Cord - Denmark (models ADG AEG AFG AGG B8G)	41R3213	1
Line Cord - Switzerland (models ADG AEG AFG AGG B8G)	41R3228	1
Line Cord - Switzerland (models ADG AEG AFG AGG B8G)	41R3229	1
Line Cord - Israel (models ADG AEG AFG AGG B8G)	41R3236	1
Line Cord - Israel (models ADG AEG AFG AGG B8G)	41R3237	1
Line Cord - South Africa (models AAM AAA ACM ACA ADA AEA AFA AGA ACG ADG AEG AFG AGG AGM ACM ADM AEM AFM AGM B2M B8G J8M J8A)	41R3220	1
Line Cord - South Africa (models AAM AAA ACM ACA ADA AEA AFA AGA ACG ADG AEG AFG AGG AGM ACM ADM AEM AFM AGM B2M B8G J8M J8A)	41R3221	1
Line Cord - India (models ACQ ADQ AEQ AFQ AGQ)	41R3341	1
Line Cord - India (models ACQ ADQ AEQ AFQ AGQ)	41R3175	1
Line Cord - Japan (models ACJ ADJ AEJ AFJ AGJ B2J)	41R3248	1
Line Cord - Japan (models ACJ ADJ AEJ AFJ AGJ B2J)	41R3249	1
Line Cord - ANZ (models AAM ACM ADM AEM AFM AGM B2M J8M)	41R3196	1

9356 Line Cords	FRU#	CRU
Line Cord - ANZ (models AAM ACM ADM AEM AFM AGM B2M J8M)	41R3197	1
Line Cord - Hong Kong (models ADB ADH AEB AEH AFB AEH AGB AGH)	41R3224	1
Line Cord - Hong Kong (models ADB ADH AEB AEH AFB AEH AGB AGH)	41R3225	1

9487 Windows XP Home Recovery CDs	FRU#	CRU
US/UK/AP/TH (models)	TBD	1
FR/CF (models)	TBD	1
GR (models)	TBD	1
IT (models)	TBD	1
BR (models)	TBD	1
SP/LA (models)	TBD	1
DK (models)	TBD	1
NL (models)	TBD	1
AE (models)	TBD	1
SV (Swedish)(models)	TBD	1
HE (models)	TBD	1
FI (models)	TBD	1
NO (models)	TBD	1
PL (models)	TBD	1
PO (models)	TBD	1
RU (models)	TBD	1
RE (models)	TBD	
HU (models)	TBD	1
CZ (models)	TBD	1
TR (models)	TBD	1
GK (models)	TBD	1
Japanese (models)	TBD	1
Simplified Chinese (models)	TBD	1
Taiwan-TC (models)	TBD	1
Hong Kong-TC (models)	TBD	1
Korean (models)	TBD	1

9487 Windows XP Pro Recovery CDs	FRU#	CRU
US/UK/AP/TH (models B7U B3U B4U B5U B6U)	45R0756	1
FR/CF (models B7F B3F B4F B5F B6F)	45R0759	1
GR (models)	45R0760	1
IT (models)	45R0762	1
BR (models)	45R0763	1
SP/LA (models)	45R0761	1

9487 Windows XP Pro Recovery CDs	FRU#	CRU
DK (models)	45R0764	1
NL (models)	45R0767	1
AE (models)	45R2342	1
SV (Swedish) (models)	45R0765	1
HE (models)	45R2334	1
FI (models)	45R0766	1
NO (models)	45R0770	1
PL (models)	45R0777	1
PO (models)	45R0774	1
RU (models)	45R0773	1
RE (models)	45R2318	1
HU (models)	45R0780	1
CZ (models)	45R0776	1
TR (models)	45R0775	1
GK (models)	45R0772	1
SL (models)	45R2326	1
Japanese (models)	45R0757	1
Simplified Chinese (models)	45R0758	1
Taiwan-TC (models)	45R0768	1
Hong Kong-TC (models)	45R0769	1
Korean (models)	45R0771	1
Multilingual 1 XP-Pro -- EN, NL, FR, GR, IT (models)	45R8246	1
Multilingual 2 XP-Pro -- EN, DK, FI, NO, SV (models)	45R8247	1

9487 Vista Home Basic 32 SP1 Recovery DVDs	FRU#	CRU
English (models)	46R7273	1
Japanese (models)	46R7274	1
Simplified Chinese (models)	46R7275	1
French (models)	46R7276	1
German (models)	46R7277	1
Spanish (models)	46R7278	1
Italian (models)	46R7279	1
Brazilian Portuguese (models)	46R7280	1
Danish (models)	46R7281	1
Swedish (models)	45R9758	1
Finland (models)	45R9759	1
Dutch (models)	45R9760	1
Traditional Chinese (models)	46R7282	1
Hong Kong (models)	46R7283	1

9487 Vista Home Basic 32 SP1 Recovery DVDs	FRU#	CRU
Norwegian (models)	46R7284	1
Korean (models)	45R9764	1
Slovenian (models)	45R9765	1
Greek (models)	45R9766	1
Russian (models)	46R7285	1
Portuguese (models)	45R9768	1
Turkish (models)	45R9769	1
Czech (models)	45R9770	1
Polish (models)	45R9771	1
Russian English (models)	46R7286	1
Arabic Localized (models)	45R9773	1
Hebrew (models)	45R9774	1
Hungarian (models)	45R9775	1
Slovakian (models)	45R9776	1

9487 Vista Business 32 SP1 Recovery DVDs	FRU#	CRU
English (models AAM AAA AAQ ABM ACM ACA ACQ ADU ADG ADM ADA ADQ ADH ADR ADE AEU AEG AEM AEA AEQ AEH AER AEE AFU AFG AFM AFA AFQ AFH AFR AFE AGU AGG AGM AGA AGQ AGH AGR AGE B2M B1U B8G J8M J8A J8Q J7G)	46R7287	1
Japanese (models AAJ ACJ ADJ AEJ AFJ AGJ B2J J8J)	46R7288	1
Simplified Chinese (models ADC AEC AFC AGC)	46R7289	1
French (models ADF AEF AGF AFF B1F B8G J7G)	46R7290	1
German (models ADG AEG AFG AGG)	46R7291	1
Spanish (models ADS ADD ADY AES AED AEY AFS AFD AFY AGS AGD AGY)	46R7292	1
Italian (models ADG AEG AFG AGG B8G J7G)	46R7293	1
Brazilian Portuguese (models ADP AEP AFP AGP)	46R7294	1
Danish (models ADG AEG AFG AGG B8G J7G)	46R7295	1
Swedish (models ADG AEG AFG AGG B8G J7G)	45R9786	1
Finland (models ADG AEG AFG AGG B8G J7G)	45R9787	1
Dutch (models ADG AEG AFG AGG B8G J7G)	45R9788	1
Traditional Chinese (models ADB ADV AEB AEV AFB AFV AGB AGV)	46R7296	1
Hong Kong (models ADB ADV AEB AEV AFB AFV AGB AGV)	46R7297	1
Norwegian (models ADG AEG AFG AGG B8G J7G)	46R7298	1
Korean (models AAK ACK J8K)	45R9792	1
Slovenian (models ADG AEG AFG AGG B8G J7G)	45R9793	1
Greek (models ADG AEG AFG AGG B8G J7G)	45R9794	1
Russian (models ADG AEG AFG AGG B8G J7G)	46R7299	1
Portuguese (models ADG AEG AFG AGG B8G J7G)	45R9796	1
Turkish (models ADG AEG AFG AGG B8G J7G)	45R9797	1
Czech (models ADG AEG AFG AGG B8G J7G)	45R9798	1

9487 Vista Business 32 SP1 Recovery DVDs	FRU#	CRU
Polish (models ADG AEG AFG AGG B8G J7G)	45R9799	1
Russian English (models ADG AEG AFG AGG B8G J7G)	46R7300	1
Arabic Localized (models)	45R9801	1
Hebrew (models ADG AEG AFG AGG B8G J7G)	45R9802	1
Romanian (models ADG AEG AFG AGG B8G J7G)	45R9803	1
Hungarian (models ADG AEG AFG AGG B8G J7G)	45R9804	1
Slovakian (models ADG AEG AFG AGG B8G J7G)	45R9805	1
Serbian-Latin (models)	45R9806	1

9487 Vista VHP SP1 Recovery DVDs	FRU#	CRU
English (models)	46R7315	1
Japanese (models)	46R7316	1
Simplified Chinese (models)	46R7317	1
French (models)	46R7318	1
German (models)	46R7319	1
Spanish (models)	46R7320	1
Italian (models)	46R7321	1
Brazilian Portuguese (models)	46R7322	1
Danish (models)	46R7323	1
Swedish (models)	45R9844	1
Finland (models)	45R9845	1
Dutch (models)	45R9846	1
Traditional Chinese (models)	46R7324	1
Hong Kong (models)	46R7325	1
Norwegian (models)	46R7326	1
Korean (models)	45R9850	1
Slovenian (models)	45R9851	1
Greek (models)	45R9852	1
Russian (models)	46R7327	1
Portuguese (models)	45R9854	1
Turkish (models)	45R9855	1
Czech (models)	45R9856	1
Polish (models)	45R9857	1
Russian English (models)	46R7328	1
Arabic Localized (models)	45R9859	1
Hebrew (models)	45R9860	1
Romanian (models)	45R9861	1
Hungarian (models)	45R9862	1

9487 Vista VHP SP1 Recovery DVDs	FRU#	CRU
Slovakian (models)	45R9863	1
Serbian-Latin (models)	45R9864	1

9487 Vista Business 64 SP1 Recovery DVDs	FRU#	CRU
English (models)	46R7301	1
Russian English (models)	46R7302	1
French (models)	46R7303	1
German (models)	46R7304	1
Spanish (models)	46R7305	1
Brazilian Portuguese (models)	46R7306	1
Italian (models)	46R7307	1
Japanese (models)	46R7308	1
Norwegian (models)	46R7309	1
Swedish (models)	45R9816	1
Danish (models)	45R9817	1
Dutch (models)	45R9818	1
Czech (models)	46R7310	1
Finnish (models)	46R7311	1
Polish (models)	46R7312	1
Russian (models)	45R9822	1
Turkish (models)	45R9823	1
Hungarian (models)	45R9824	1
Greek (models)	45R9825	1
Simplified Chinese (models)	46R7313	1
Taiwan (models)	45R9827	1
HongKong (models)	45R9828	1
Korea (models)	45R9829	1
Slovenian (models)	46R7314	1
Portuguese (models)	45R9831	1
Arabic Localized (models)	45R9832	1
Hebrew (models)	45R9833	1
Slovakian (models)	45R9834	1

9487 Vista Ultimate 32 SP1 Recovery DVDs	FRU#	CRU
English (models)	46R7329	1
Japanese (models)	46R7330	1
Simplified Chinese (models)	46R7331	1
French (models)	46R7332	1
German (models)	46R7333	1

9487 Vista Ultimate 32 SP1 Recovery DVDs	FRU#	CRU
Spanish (models)	46R7334	1
Italian (models)	46R7335	1
Brazilian Portuguese (models)	46R7336	1
Danish (models)	46R7337	1
Swedish (models)	45R9874	1
Finland (models)	45R9875	1
Dutch (models)	45R9876	1
Traditional Chinese (models)	46R7338	1
Hong Kong (models)	46R7339	1
Norwegian (models)	46R7340	1
Korean (models)	45R9880	1
Slovenian (models)	45R9881	1
Greek (models)	45R9882	1
Russian (models)	46R7341	1
Portuguese (models)	45R9884	1
Turkish (models)	45R9885	1
Czech (models)	45R9886	1
Polish (models)	45R9887	1
Russian English (models)	46R5089	1
Arabic Localized (models)	46R7342	1
Hebrew (models)	45R9890	1
Hungarian (models)	45R9891	1
Slovakian (models)	45R9892	1

9487 Vista Starter 32 Recovery DVDs	FRU#	CRU
English (models)	46R5059	1

Machine Type 9488



Item #	9488 FRUs	FRU#	CRU
1	Intel 65W/95W heatsink Kit (all models)	41R4803	2
1	Intel 65W/95W Heatsink Kit (Tower) (all models)	41R6429	2
2	Microprocessor, Celeron 420 CONROE-L 800/1600MHZ-512K,LGA,EM64T (models)	43C3835	N
2	Microprocessor, Celeron 430 CONROE-L 800/1800MHZ-512K,LGA,EM64T (models ABG)	43C1964	N
2	Microprocessor, Celeron 440 CONROE-L 800/2000MHZ-512K,LGA,EM64T (models)	43C1965	N
2	Microprocessor, Pentium Dual-core E2140 CONROE-L 800/1600MHZ-1M, LGA, EM64T (models)	43C1967	N
2	Microprocessor, Pentium Dual-core E2160 CONROE-L 800/1800MHZ-1M, LGA, EM64T (models)	43C1968	N
2	Microprocessor, Core 2 Duo E4400 L2 CONROE 800/2000MHZ-2M, LGA, EM64T (models)	43C2056	N
2	Microprocessor, Core 2 Duo E6400 B2 CONROE 1066/2130MHZ-2M, LGA, EM64T L2 Value (models)	41X2496	N
2	Microprocessor, Pentium Dual-core E2200 CONROE-L 800/2200MHZ-1M, LGA, EM64T - NPI (models CTO)	45C5349	N
2	Microprocessor, Pentium Dual-core E2180 CONROE-L 800/2000MHZ-1M, LGA, EM64T - NPI (models CTO)	45C1773	N
2	Microprocessor, Pentium Dual-core E2220 CONROE-L 800/2400MHZ-1M, LGA, EM64T - NPI (models CTO)	45C1774	N

Item #	9488 FRUs	FRU#	CRU
2	Microprocessor, Core 2 Duo E4600 M0 CONROE 800/2400MHZ-2M, LGA, EM64T - NPI (models CTO)	45C5282	N
2	Microprocessor, Core 2 Duo E4500 M0 CONROE 800/2200MHZ-2M, LGA, EM64T (models CTO)	43C6305	N
2	Microprocessor, Core 2 Duo E6850 G0 CONROE 1333/3000MHZ-4M, LGA, EM64T (models CTO)	43C1694	N
2	Microprocessor, Core 2 Duo E6750 G0 CONROE 1333/2660MHZ-4M, LGA, EM64T (models CTO)	43C1693	N
2	Microprocessor, Core 2 Duo E6550 G0 CONROE 1333/2330MHZ-4M, LGA, EM64T (models CTO)	43C3833	N
2	Microprocessor, Core 2 Quad G-0 Q6700 KENTSFIELD 1066/2660MHZ-8M (models CTO)	43C6309	N
2	Microprocessor, Core 2 Quad G-0 Q6600 KENTSFIELD 1066/2400MHZ-8M (models CTO)	43C1695	N
2	Microprocessor, Core 2 Duo E8500 WOLFDAL E 1333/3160MHZ-6M (models CTO)	45C7735	N
2	Microprocessor, Core 2 Duo E8400 WOLFDAL E 1333/3000MHZ-6M (models CTO)	45C7736	N
2	Microprocessor, Core 2 Duo E8200 WOLFDAL E 1333/2660MHZ-6M (models CTO)	45C7738	N
2	Microprocessor, Core 2 Duo E8190 WOLFDAL E 1333/2660MHZ-6M - NON VT/Vpro (models CTO)	45R2568	N
2	Microprocessor, Core 2 Quad Q9550 C-1 YORKFIELD 2.83GHz 1333MHZ FSB 12M L2 (models CTO)	45C7739	N
2	Microprocessor, Core 2 Quad Q9450 C-1 YORKFIELD 2.66GHz 1333MHZ FSB 12M L2 (models CTO)	45C7740	N
2	Microprocessor, Core 2 Quad Q9300 M-1 YORKFIELD 2.5GHz 1333MHZ FSB 6M L2 (models CTO)	45C7741	N
2	Microprocessor, Core 2 Duo E8300 C-0 WOLFDAL E 2.83GHz 1333MHZ FSB 6M L2 (models CTO)	45C7737	N
2	Microprocessor, Core 2 Duo E7300 M-0 2.66GHz 1066MHz FSB 3M L2 (models CTO)	46R1622	N
2	Microprocessor, Core 2 Duo E7200 M-0 2.53GHz 1066MHz FSB 3M L2 (models CTO)	45R8337	N
2	Microprocessor, Core 2 Duo E4700 G-0 2.6GHz 800MHz FSB 2M L2 (models CTO)	45R5786	N
2	Microprocessor, Celeron Dual Core E1400 M-0 2.0GHz 800MHz FSB 512K L2 (models CTO)	45R8339	N
2	Microprocessor, Celeron Dual Core E1200 M-0 1.6GHz 800MHz FSB 512K L2, LGA, EM64T - NPI (models CTO B8G)	45R8341	N
2	Microprocessor, Core 2 Duo E8600 E-0 WOLFDAL E 3.33GHz 1333MHZ FSB 6M L2 (models CTO)	46R8640	N
3	Memory module, 512 MB PC-5300 (667MHz) DDR2 SDRAM (models)	41X4255	2
3	Memory module, 1 GB PC-5300 (667MHz) DDR2 SDRAM (models AAG ACG ADG ABG B8G)	41X4256	2
3	Memory module, 2 GB PC-5300 (667MHz) DDR2 SDRAM (models B6G B7G)	41X4257	2
3	Memory module, 512 MB PC2-6400 (800MHz) DDR2 SDRAM (models)	41X1079	2
3	Memory module, 1GB PC-6400 (800MHz) DDR2 SDRAM (models B1G)	41X1080	2
3	Memory module, 2GB PC-6400 (800MHz) DDR2 SDRAM (models)	41X1081	2
4	DVD-ROM Drive - 16x/48x - SATA Vista & non-Vista (models ABG B6G B8G)	41N3325	2

Item #	9488 FRUs	FRU#	CRU
4	DVD-ROM Drive - DVD-ROM/CD-RW Combo Drive - 48x/32x/48x/16x - SATA Vista & non-Vista (models AAG ACG)	42Y9353	2
4	DVD-ROM Drive - DVD-RW/CD-RW Rambo 8 - SATA Vista & non-Vista (models ADG B1G B7G)	43C1042	2
5	Diskette drive, 3.5" 1.44MB 2 Mode FDD with Bezel and cable (models)	40Y9107	2
5	Diskette drive, 3.5" 1.44MB 2 Mode FDD with Bezel and cable (models)	40Y9105	2
6	Bezel assembly without IBM mark (all models)	41R6243	2
7	Power switch/LED assembly (all models)	41N5284	2
8	Speaker assembly, soldered terminals (all models)	39P5023	2
9	Front audio/USB assembly (all models)	41N8054	2
10	Hard disk drive, SATA 80GB 7200RPM/3Gb/8MB (models ABG)	40Y9034	2
10	Hard disk drive, SATA 160GB 7200RPM/3Gb/8MB (models AAG ACG B1G B6G B8G)	40Y9035	2
10	Hard disk drive, SATA 320GB 7200rpm SATA/8MB (models B7G)	87H4891	2
11	System board , Intel G31 mATX GA Level (models AAG ACG ADG ABG B1G B6G B7G B8G)	53Y3282	N
12	Fan, 4 Pin System Fan (all models)	41R6269	2
13	Power supply, ATX 280W Power supply; Robust; for all countries except for JP (models AAG ACG ADG ABG B1G B6G B7G B8G)	41A9684	2
13	Power supply, ATX 280W 80% power supply;for all countries (models AAG ACG ADG ABG B1G B6G B7G B8G)	41A9665	2
13	Power supply, ATX 310W Power supply Robust; for all countries (models AAG ACG ADG ABG B1G B6G B7G B8G)	41A9726	2

The FRUs listed in the following tables are not illustrated.

9488 FRUs	FRU#	CRU Tier
Shield, 5.25 EMC (all models)	41N8080	2
Shield, FDD EMC (all models)	41N8078	2
Cable, FDD (RoHs) (all models)	41A7182	2
Cable, SATA 457mm (RoHS) (all models)	43N9013	2
Cover, left side (all models)	41N8050	2
Retainer, Card Reader (all models)	41R2913	2
Fan, front (all models)	41R4791	2
Optional HDD Bracket Asm, without 4Pin cable (all models)	41R6106	2
Intrusion Switch asm (all models)	41R6116	2
Cable , SATA 250mm (RoHS) (all models)	43N9012	2
Hard disk drive tray (all models)	41R6291	2
Planer shield, Atx 946, with usb number (all models)	41R6378	N
Planer shield, Atx 946, with usb number (all models)	41R6384	N
Temperature Sense cable (460 mm) (all models)	41R2509	2

9488 FRUs	FRU#	CRU Tier
Assembly Chassis Without IBM Mark Atlantic (all models)	41R6408	N
ODD/FDD/Card reader retainers (models)	43N9351	2
Blank 5.25" Bezel (models)	41N8077	3
Fru,Tamdhu chassis primary HDD cage (all models)	45K6272	1
Fru,Tamdhu ruber foot(For acoustic improvement) (all models)	45K6278	2
BATTERY 3V-LITHIUM (TOWER,ROCKYS,LX-607) (models AAG ACG ADG ABG B1G B6G B7G B8G)	45C1566	N

9488 Keyboard (Lenovo USB Preferred -- without hub)	FRU#	CRU Tier
US English (models)	41A5039	1
Arabic (models)	41A5040	1
Arabic/French (models)	41A5041	1
Belgian/French (models)	41A5042	1
Belgian/English (models)	41A5043	1
Brazilian Portuguese (models)	41A5044	1
Bulgarian (models)	41A5045	1
Chinese/US (models)	41A5046	1
Czech (models)	41A5047	1
Danish (models)	41A5048	1
Dutch (models)	41A5049	1
French (models)	41A5050	1
French Canadian (models)	41A5051	1
French Canadian (models)	41A5052	1
German (models)	41A5053	1
Greek (models)	41A5054	1
Greek/US (models)	41A5080	1
Hebrew (models)	41A5055	1
Hungarian (models)	41A5056	1
Iceland (models)	41A5057	1
Italian (models)	41A5058	1
Japanese (models)	41A5059	1
Korean (models)	41A5060	1
LA Spanish (models)	41A5061	1
Norwegian (models)	41A5062	1
Polish (models)	41A5063	1
Portuguese (models)	41A5064	1
Romanian (models)	41A5065	1
Russian/Cyrillic (models)	41A5066	1

9488 Keyboard (Lenovo USB Preferred -- without hub)	FRU#	CRU Tier
Serbian/Cyrillic (models)	41A5067	1
Slovak (models)	41A5068	1
Spanish (models)	41A5069	1
Swedish/Finnish (models)	41A5070	1
Swiss (models)	41A5071	1
Thailand (models)	41A5072	1
Turkish (models)	41A5073	1
Turkish (models)	41A5074	1
UK English (models)	41A5075	1
US Euro (models)	41A5076	1
Slovenian (models)	41A5077	1

9488 Keyboard (Lenovo USB Preferred -- without hub)	FRU#	CRU
US English (models AAG ACG ADG ABG B1G B6G B7G B8G)	41A5289	1
Arabic (models AAG ACG ADG ABG B1G B6G B7G B8G)	41A5290	1
Arabic/French (models)	41A5291	1
Belgian/French (models AAG ACG ADG ABG B1G B6G B7G B8G)	41A5292	1
Belgian/UK (models AAG ACG ADG ABG B1G B6G B7G B8G)	41A5293	1
Brazilian Portuguese (models)	41A5294	1
Bulgarian (models AAG ACG ADG ABG B1G B6G B7G B8G)	41A5295	1
Chinese/US (models)	41A5296	1
Czech (models AAG ACG ADG ABG B1G B6G B7G B8G)	41A5297	1
Danish (models AAG ACG ADG ABG B1G B6G B7G B8G)	41A5298	1
Dutch (models AAG ACG ADG ABG B1G B6G B7G B8G)	41A5299	1
French (models AAG ACG ADG ABG B1G B6G B7G B8G)	41A5300	1
French Canadian (models)	41A5301	1
French Canadian (models)	41A5302	1
German (models AAG ACG ADG ABG B1G B6G B7G B8G)	41A5303	1
Greek (models AAG ACG ADG ABG B1G B6G B7G B8G)	41A5304	1
Greek/US (models AAG ACG ADG ABG B1G B6G B7G B8G)	41A5305	1
Hebrew (models AAG ACG ADG ABG B1G B6G B7G B8G)	41A5306	1
Hungarian (models AAG ACG ADG ABG B1G B6G B7G B8G)	41A5307	1
Iceland (models AAG ACG ADG ABG B1G B6G B7G B8G)	41A5308	1
Italy (models AAG ACG ADG ABG B1G B6G B7G B8G)	41A5309	1
Japanese (models)	41A5310	1
Korean (models)	41A5311	1
LA Spanish (models)	41A5312	1
Norwegian (models AAG ACG ADG ABG B1G B6G B7G B8G)	41A5313	1

9488 Keyboard (Lenovo USB Preferred -- without hub)	FRU#	CRU
Polish (models AAG ACG ADG ABG B1G B6G B7G B8G)	41A5314	1
Portuguese (models AAG ACG ADG ABG B1G B6G B7G B8G)	41A5315	1
Romanian (models AAG ACG ADG ABG B1G B6G B7G B8G)	41A5317	1
Russian/Cyrillic (models AAG ACG ADG ABG B1G B6G B7G B8G)	41A5318	1
Serbian/Cyrillic (models AAG ACG ADG ABG B1G B6G B7G B8G)	41A5319	1
Slovak (models AAG ACG ADG ABG B1G B6G B7G B8G)	41A5320	1
Spanish (models AAG ACG ADG ABG B1G B6G B7G B8G)	41A5321	1
Swedish/Finnish (models AAG ACG ADG ABG B1G B6G B7G B8G)	41A5322	1
Swiss French/German(models AAG ACG ADG ABG B1G B6G B7G B8G)	41A5323	1
Thailand (models)	41A5324	1
Turkish (models AAG ACG ADG ABG B1G B6G B7G B8G)	41A5325	1
Turkish (models AAG ACG ADG ABG B1G B6G B7G B8G)	41A5326	1
UK English (models AAG ACG ADG ABG B1G B6G B7G B8G)	41A5327	1
US Euro (models)	41A5328	1
Slovenian (models AAG ACG ADG ABG B1G B6G B7G B8G)	41A5329	1

9488 Keyboard (Lenovo Enhanced Perf, USB Preferred -- with hub)	FRU#	CRU
US English (models)	41A4961	1
Arabic (models)	41A4962	1
Arabic/French (models)	41A4963	1
Belgian French (models)	41A4964	1
Belgium English (models)	41A4965	1
Brazilian Portuguese (models)	41A4966	1
Bulgarian (models)	41A4967	1
Chinese/US (models)	41A4968	1
Czech (ABB) (models)	41A4969	1
Danish (models)	41A4970	1
Dutch (models)	41A4971	1
French (models)	41A4972	1
French Canadian (models)	41A4973	1
French Canadian (models)	41A4974	1
German (models)	41A4975	1
Greek (models)	41A4976	1
Greek/US (models)	41A5078	1
Hebrew (models)	41A4977	1
Hungarian (models)	41A4978	1
Iceland (models)	41A4979	1
Italian (models)	41A4980	1
Japanese (models)	41A4981	1

9488 Keyboard (Lenovo Enhanced Perf, USB Preferred -- with hub)	FRU#	CRU
Korean (models)	41A4982	1
LA Spanish (models)	41A4983	1
Norwegian (models)	41A4984	1
Polish (models)	41A4985	1
Portuguese (models)	41A4986	1
Romanian (models)	41A4987	1
Russian/Cyrilic (models)	41A4988	1
Serbian/Cyrilic (models)	41A4989	1
Slovak (models)	41A4990	1
Spanish (models)	41A4991	1
Swedish/Finnish (models)	41A4992	1
Swiss French/German (models)	41A4993	1
Thailand (models)	41A4994	1
Turkish (models)	41A4995	1
Turkish (models)	41A4996	1
UK English (models)	41A4997	1
US Euro (models)	41A4998	1
Slovenian (models)	41A4999	1

9488 Keyboard (Lenovo Fingerprint Reader USB)	FRU#	CRU
US English (models)	41A5248	1
Arabic (models)	41A5249	1
Arabic/French (models)	41A5250	1
Belgian French (models)	41A5251	1
Belgium English (models)	41A5252	1
Brazilian Portuguese (models)	41A5253	1
Bulgarian (models)	41A5254	1
Chinese/US (models)	41A5255	1
Czech (ABB) (models)	41A5256	1
Danish (models)	41A5257	1
Dutch (models)	41A5258	1
French (models)	41A5259	1
French Canadian (models)	41A5260	1
French Canadian (models)	41A5261	1
German (models)	41A5262	1
Greek (models)	41A5263	1
Greek/US (models)	41A5264	1
Hebrew (models)	41A5265	1
Hungarian (models)	41A5266	1

9488 Keyboard (Lenovo Fingerprint Reader USB)	FRU#	CRU
Iceland (models)	41A5267	1
Italy (models)	41A5268	1
Japanese (models)	41A5269	1
Korean (models)	41A5270	1
LA Spanish (models)	41A5271	1
Norwegian (models)	41A5272	1
Polish (models)	41A5273	1
Portuguese (models)	41A5274	1
Romanian (models)	41A5276	1
Russian/Cyrilic (models)	41A5277	1
Serbian/Cyrilic (models)	41A5278	1
Slovak (models)	41A5279	1
Spanish (models)	41A5280	1
Swedish/Finnish (models)	41A5281	1
Swiss French/German (models)	41A5282	1
Thailand (models)	41A5283	1
Turkish (models)	41A5284	1
Turkish (models)	41A5285	1
UK English (models)	41A5286	1
US Euro (models)	41A5287	1
Slovenian (models)	41A5288	1

9488 mice	FRU#	CRU
Optical Wheel Mouse (400DPI, USB) (models AAG ACG ADG B1G B6G B7G)	41U3013	1
Optical Wheel Mouse (400DPI, USB) (models AAG ACG ADG B1G B6G B7G)	41U3030	1
PS/2 Three Button ball mouse (41R0017) (models)	41R0018	1

9488 Adapters and miscellaneous FRUs	FRU#	CRU
Internal USB Memory Card Reader floppy bay (models)	41R3378	2
Internal USB 20 in 1 Memory CardReader floppy bay (models)	45R8139	2
USB Memory Key (models)	43R2296	2
Lenovo USB2.0 Trust Key TGE YT300 1GB (models)	45R2281	1
Lenovo USB2.0 Trust Key TGE YT300 2GB (models)	45R2283	1
Soft Modem V.90/V.44 ATX (models AAG)	46R4220	2
ATI HD 2600XT 512MB 128BIT ATX (models)	43C0261	2
IEEE 1394 Firewire Adapter SFF (models AAG)	41D2781	2
USB Memory Key - 1G RoW (models AAG)	41U4978	1
ADD2 DVI Adapter,FH (HDCP) (models ACG ADG)	43C0258	2
ATI HD 2400PRO 128MB 64BIT DMS59 ATX (models)	43C0259	2

9488 Adapters and miscellaneous FRUs	FRU#	CRU
ATI HD 2400XT 256MB 64BIT DMS59 ATX (models)	43C0260	2
DVI-I connection Adapter Full Height (models)	39J9334	2
DVI-I connection Adapter Low Profile (models)	39J9334	2
Speaker Power brick - US, Canada, LA low voltage, ASEAN (models)	89P8571	1
Speaker Power brick - LA high voltage (non-APU) (models)	89P8575	1
Speaker Power brick - China, Thailand (models)	89P8581	1
Speaker Power brick - Japan (models)	89P8577	1
Speaker Power brick - Brazil (models)	89P8583	1
Speaker Power brick - Argentina (models)	41A4901	1
Speaker Power brick - ANZ (modes)	89P8579	1
Speaker Brick - Korea (models)	41A4903	1
Speaker Brick - Hong Kong, EMEA (models AAG ACG ADG ABG B1G B6G B7G B8G)	89P8573	1
Speaker Brick - Taiwan (models)	41A4905	1
Speaker Power brick - India, South Africa (models)	89P8585	1
Dongle DMS Dule DMS-59 to dual VGA Cable (models)	42Y8181	2
Dongle DMS Dule DMS-59 to dual DVI Cable (models)	41X6398	2

9488 Line Cords	FRU#	CRU
Line cord - US (models)	41R3184	1
Line cord - US (models)	41R3185	1
Line cord - China (models)	41R3256	1
Line cord - China (models)	41R3257	1
Line cord - Brazil (models)	41R3270	1
Line cord - Brazil (models)	41R3271	1
Line cord - LA High Volt APU (models)	41R3176	1
Line Cord - LA High Volt APU (models)	41R3177	1
Line Cord - Korea (models)	41R3260	1
Line Cord - Korea (models)	41R3261	1
Line Cord - UK, Ireland, Singapore, Malaysia, Brunei (models AAG ACG ADG ABG B1G B6G B7G B8G)	41R3224	1
Line Cord - UK, Ireland, Singapore, Malaysia, Brunei (models AAG ACG ADG ABG B1G B6G B7G B8G)	41R3225	1
Line Cord - Taiwan (models)	41R3278	1
Line Cord - Taiwan (models)	41R3279	1
Line Cord - Italy (models AAG ACG ADG ABG B1G B6G B7G B8G)	41R3232	1
Line Cord - Italy (models AAG ACG ADG ABG B1G B6G B7G B8G)	41R3233	1
Line Cord - Indonesia, Laos, Cambodia, and Vietnam (models)	41R3208	1
Line Cord - Indonesia, Laos, Cambodia, and Vietnam (models)	41R3209	1
Line Cord - Denmark (models AAG ACG ADG ABG B1G B6G B7G B8G)	41R3212	1
Line Cord - Denmark (models AAG ACG ADG ABG B1G B6G B7G B8G)	41R3213	1

9488 Line Cords	FRU#	CRU
Line Cord - Switzerland (models AAG ACG ADG ABG B1G B6G B7G B8G)	41R3228	1
Line Cord - Switzerland (models AAG ACG ADG ABG B1G B6G B7G B8G)	41R3229	1
Line Cord - Israel (models AAG ACG ADG ABG B1G B6G B7G B8G)	41R3236	1
Line Cord - Israel (models AAG ACG ADG ABG B1G B6G B7G B8G)	41R3237	1
Line Cord - South Africa (models AAG ACG ADG ABG B1G B6G B7G B8G)	41R3220	1
Line Cord - South Africa (models AAG ACG ADG ABG B1G B6G B7G B8G)	41R3221	1
Line Cord - India (models)	41R3341	1
Line Cord - India (models)	41R3175	1
Line Cord - Japan (models)	41R3248	1
Line Cord - Japan (models)	41R3249	1
Line Cord - ANZ (models)	41R3196	1
Line Cord - ANZ (models)	41R3197	1
Line Cord - Hong Kong (models)	41R3224	1
Line Cord - Hong Kong (models)	41R3225	1

9488 Windows XP Home Recovery CDs	FRU#	CRU
US/UK/AP/TH (models)	TBD	1
FR/CF (models)	TBD	1
GR (models)	TBD	1
IT (models)	TBD	1
BR (models)	TBD	1
SP/LA (models)	TBD	1
DK (models)	TBD	1
NL (models)	TBD	1
AE (models)	TBD	1
SV (models)	TBD	1
HE (models)	TBD	1
FI (models)	TBD	1
NO (models)	TBD	1
PL (models)	TBD	1
PO (models)	TBD	1
RU (models)	TBD	1
RE (models)	TBD	1
HU (models)	TBD	1
CZ (models)	TBD	1
TR (models)	TBD	1
GK (models)	TBD	1
Japanese (models)	TBD	1
Simplified Chinese (models)	TBD	1

9488 Windows XP Home Recovery CDs	FRU#	CRU
Taiwan-TC (models)	TBD	1
Hong Kong-TC (models)	TBD	1
Korean (models)	TBD	1

9488 Windows XP Pro Recovery CDs	FRU#	CRU
US/UK/AP/TH (models ABG)	45R0756	1
FR/CF (models ABG)	45R0759	1
GR (models ABG)	45R0760	1
IT (models ABG)	45R0762	1
BR (models)	45R0763	1
SP/LA (models ABG)	45R0761	1
DK (models ABG)	45R0764	1
NL (models ABG)	45R0767	1
AE (models ABG)	45R2342	1
SV (models ABG)	45R0765	1
HE (models ABG)	45R2334	1
FI (models ABG)	45R0766	1
NO (models ABG)	45R0770	1
PL (models ABG)	45R0777	1
PO (models ABG)	45R0774	1
RU (models ABG)	45R0773	1
RE (models ABG)	45R2318	1
HU (models ABG)	45R0780	1
CZ (models ABG)	45R0776	1
TR (models ABG)	45R0775	1
GK (models ABG)	45R0772	1
SL (models ABG)	45R2326	1
Japanese (models)	45R0757	1
Simplified Chinese (models)	45R0758	1
Taiwan-TC (models)	45R0768	1
Hong Kong-TC (models)	45R0769	1
Korea (models)	45R0771	1
Multilingual 1 XP-Pro -- EN, NL, FR, GR, IT (models ABG)	45R8246	1
Multilingual 2 XP-Pro -- EN, DK, FI, NO, SV (models ABG)	45R8247	1

9488 Vista Home Basic 32 SP1 Recovery DVDs	FRU#	CRU
English (models)	46R7273	1
Japanese (models)	46R7274	1
Simplified Chinese (models)	46R7275	1

9488 Vista Home Basic 32 SP1 Recovery DVDs	FRU#	CRU
French (models)	46R7276	1
German (models)	46R7277	1
Spanish (models)	46R7278	1
Italian (models)	46R7279	1
Brazilian Portuguese (models)	46R7280	1
Danish (models)	46R7281	1
Swedish (models)	45R9758	1
Finland (models)	45R9759	1
Dutch (models)	45R9760	1
Traditional Chinese (models)	46R7282	1
Hong Kong (models)	46R7283	1
Norwegian (models)	46R7284	1
Korean (models)	45R9764	1
Slovenian (models)	45R9765	1
Greek (models)	45R9766	1
Russian (models)	46R7285	1
Portuguese (models)	45R9768	1
Turkish (models)	45R9769	1
Czech (models)	45R9770	1
Polish (models)	45R9771	1
Russian English (models)	46R7286	1
Arabic Localized (models)	45R9773	1
Hebrew (models)	45R9774	1
Hungarian (models)	45R9775	1
Slovakian (models)	45R9776	1

9488 Vista Business 32 SP1 Recovery DVDs	FRU#	CRU
English (models AAG ACG ADG B1G B6G B7G B8G)	46R7287	1
Japanese (models)	46R7288	1
Simplified Chinese (models)	46R7289	1
French (models AAG ACG ADG B1G B6G B7G B8G)	46R7290	1
German (models AAG ACG ADG B1G B6G B7G B8G)	46R7291	1
Spanish (models AAG ACG ADG B1G B6G B7G B8G)	46R7292	1
Italian (models AAG ACG ADG B1G B6G B7G B8G)	46R7293	1
Brazilian Portuguese (models)	46R7294	1
Danish (models AAG ACG ADG B1G B6G B7G B8G)	46R7295	1
Swedish (models AAG ACG ADG B1G B6G B7G B8G)	45R9786	1
Finland (models AAG ACG ADG B1G B6G B7G B8G)	45R9787	1
Dutch (models AAG ACG ADG B1G B6G B7G B8G)	45R9788	1

9488 Vista Business 32 SP1 Recovery DVDs	FRU#	CRU
Traditional Chinese (models)	46R7296	1
Hong Kong (models)	46R7297	1
Norwegian (models AAG ACG ADG B1G B6G B7G B8G)	46R7298	1
Korean (models)	45R9792	1
Slovenian (models AAG ACG ADG B1G B6G B7G B8G)	45R9793	1
Greek (models AAG ACG ADG B1G B6G B7G B8G)	45R9794	1
Russian (models AAG ACG ADG B1G B6G B7G B8G)	46R7299	1
Portuguese (models AAG ACG ADG B1G B6G B7G B8G)	45R9796	1
Turkish (models AAG ACG ADG B1G B6G B7G B8G)	45R9797	1
Czech (models AAG ACG ADG B1G B6G B7G B8G)	45R9798	1
Polish (models AAG ACG ADG B1G B6G B7G B8G)	45R9799	1
Russian English (models AAG ACG ADG B1G B6G B7G B8G)	46R7300	1
Arabic Localized (models)	45R9801	1
Hebrew (models AAG ACG ADG B1G B6G B7G B8G)	45R9802	1
Romanian (models AAG ACG ADG B1G B6G B7G B8G)	45R9803	1
Hungarian (models AAG ACG ADG B1G B6G B7G B8G)	45R9804	1
Slovakian (models AAG ACG ADG B1G B6G B7G B8G)	45R9805	1
Serbian-Latin (models)	45R9806	1

9488 Vista VHP SP1 Recovery DVDs	FRU#	CRU
English (models)	46R7315	1
Japanese (models)	46R7316	1
Simplified Chinese (models)	46R7317	1
French (models)	46R7318	1
German (models)	46R7319	1
Spanish (models)	46R7320	1
Italian (models)	46R7321	1
Brazilian Portuguese (models)	46R7322	1
Danish (models)	46R7323	1
Swedish (models)	45R9844	1
Finland (models)	45R9845	1
Dutch (models)	45R9846	1
Traditional Chinese (models)	46R7324	1
Hong Kong (models)	46R7325	1
Norwegian (models)	46R7326	1
Korean (models)	45R9850	1
Slovenian (models)	45R9851	1
Greek (models)	45R9852	1
Russian (models)	46R7327	1

9488 Vista VHP SP1 Recovery DVDs	FRU#	CRU
Portuguese (models)	45R9854	1
Turkish (models)	45R9855	1
Czech (models)	45R9856	1
Polish (models)	45R9857	1
Russian English (models)	46R7328	1
Arabic Localized (models)	45R9859	1
Hebrew (models)	45R9860	1
Romanian (models)	45R9861	1
Hungarian (models)	45R9862	1
Slovakian (models)	45R9863	1
Serbian-Latin (models)	45R9864	1

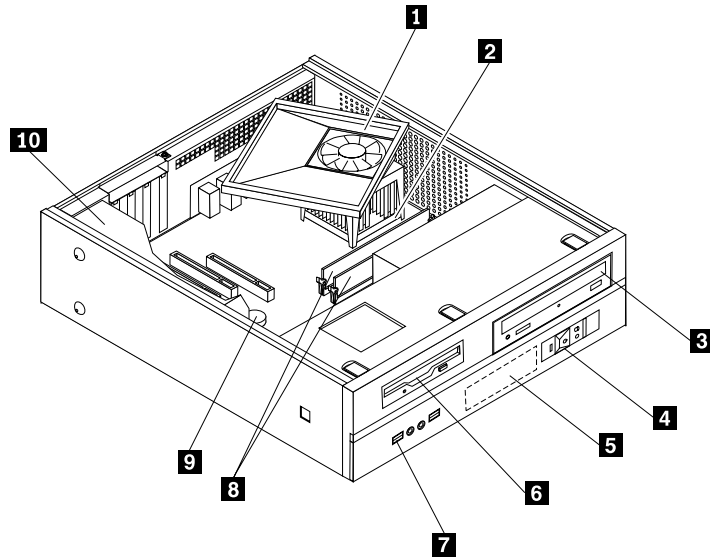
9488 Vista Business 64 SP1 Recovery DVDs	FRU#	CRU
English (models)	46R7301	1
Russian English (models)	46R7302	1
French (models)	46R7303	1
German (models)	46R7304	1
Spanish (models)	46R7305	1
Brazilian Portuguese (models)	46R7306	1
Italian (models)	46R7307	1
Japanese (models)	46R7308	1
Norwegian (models)	46R7309	1
Swedish (models)	45R9816	1
Danish (models)	45R9817	1
Dutch (models)	45R9818	1
Czech (models)	46R7310	1
Finnish (models)	46R7311	1
Polish (models)	46R7312	1
Russian (models)	45R9822	1
Turkish (models)	45R9823	1
Hungarian (models)	45R9824	1
Greek (models)	45R9825	1
Simplified Chinese (models)	46R7313	1
Taiwan (models)	45R9827	1
HongKong (models)	45R9828	1
Korea (models)	45R9829	1
Slovenian (models)	46R7314	1
Portuguese (models)	45R9831	1
Arabic Localized (models)	45R9832	1

9488 Vista Business 64 SP1 Recovery DVDs	FRU#	CRU
Hebrew (models)	45R9833	1
Slovakian (models)	45R9834	1

9488 Vista Ultimate 32 SP1 Recovery DVDs	FRU#	CRU
English (models)	46R7329	1
Japanese (models)	46R7330	1
Simplified Chinese (models)	46R7331	1
French (models)	46R7332	1
German (models)	46R7333	1
Spanish (models)	46R7334	1
Italian (models)	46R7335	1
Brazilian Portuguese (models)	46R7336	1
Danish (models)	46R7337	1
Swedish (models)	45R9874	1
Finland (models)	45R9875	1
Dutch (models)	45R9876	1
Traditional Chinese (models)	46R7338	1
Hong Kong (models)	46R7339	1
Norwegian (models)	46R7340	1
Korean (models)	45R9880	1
Slovenian (models)	45R9881	1
Greek (models)	45R9882	1
Russian (models)	46R7341	1
Portuguese (models)	45R9884	1
Turkish (models)	45R9885	1
Czech (models)	45R9886	1
Polish (models)	45R9887	1
Russian English (models)	46R5089	1
Arabic Localized (models)	46R7342	1
Hebrew (models)	45R9890	1
Hungarian (models)	45R9891	1
Slovakian (models)	45R9892	1

9488 Vista Starter 32 Recovery DVDs	FRU#	CRU
English (models)	46R5059	1

Machine Type 9489



Item #	9489 FRUs	FRU#	CRU
1	Intel 65W/95W Heatsink Kit (all models)	41R6429	2
1	Heat Sink/RM Kit Intel Prescott (models)	41N8261	2
2	Microprocessor, Celeron 420 CONROE-L 800/1600MHZ-512K,LGA,EM64T (models)	43C3835	N
2	Microprocessor, Celeron 430 CONROE-L 800/1800MHZ-512K,LGA,EM64T (models AAG)	43C1964	N
2	Microprocessor, Celeron 440 CONROE-L 800/2000MHZ-512K,LGA,EM64T (models)	43C1965	N
2	Microprocessor, Pentium Dual-core E2140 CONROE-L 800/1600MHZ-1M, LGA, EM64T (models)	43C1967	N
2	Microprocessor, Pentium Dual-core E2160 CONROE-L 800/1800MHZ-1M, LGA, EM64T (models)	43C1968	N
2	Microprocessor, Core 2 Duo E4400 L2 CONROE 800/2000MHZ-2M, LGA, EM64T (models)	43C2056	N
2	Microprocessor, Core 2 Duo E6400 B2 CONROE 1066/2130MHZ-2M, LGA, EM64T L2 Value (models)	41X2496	N
2	Microprocessor, Pentium Dual-core E2200 CONROE-L 800/2200MHZ-1M, LGA, EM64T - NPI (models CTO)	45C5349	N
2	Microprocessor, Pentium Dual-core E2180 CONROE-L 800/2000MHZ-1M, LGA, EM64T - NPI (models CTO)	45C1773	N
2	Microprocessor, Pentium Dual-core E2220 CONROE-L 800/2400MHZ-1M, LGA, EM64T - NPI (models CTO)	45C1774	N
2	Microprocessor, Core 2 Duo E4600 M0 CONROE 800/2400MHZ-2M, LGA, EM64T - NPI (models CTO)	45C5282	N
2	Microprocessor, Core 2 Duo E4500 M0 CONROE 800/2200MHZ-2M, LGA, EM64T (models CTO)	43C6305	N
2	Microprocessor, Core 2 Duo E6850 G0 CONROE 1333/3000MHZ-4M, LGA, EM64T (models CTO)	43C1694	N

Item #	9489 FRUs	FRU#	CRU
2	Microprocessor, Core 2 Duo E6750 G0 CONROE 1333/2660MHZ-4M, LGA, EM64T (models CTO)	43C1693	N
2	Microprocessor, Core 2 Duo E6550 G0 CONROE 1333/2330MHZ-4M, LGA, EM64T (models CTO)	43C3833	N
2	Microprocessor, Core 2 Quad G-0 Q6700 KENTSFIELD 1066/2660MHZ-8M (models CTO)	43C6309	N
2	Microprocessor, Core 2 Quad G-0 Q6600 KENTSFIELD 1066/2400MHZ-8M (models CTO)	43C1695	N
2	Microprocessor, Core 2 Duo E8500 WOLFDALÉ 1333/3160MHZ-6M (models CTO)	45C7735	N
2	Microprocessor, Core 2 Duo E8400 WOLFDALÉ 1333/3000MHZ-6M (models CTO)	45C7736	N
2	Microprocessor, Core 2 Duo E8200 WOLFDALÉ 1333/2660MHZ-6M (models CTO)	45C7738	N
2	Microprocessor, Core 2 Duo E8190 WOLFDALÉ 1333/2660MHZ-6M - NON VT/Vpro (models CTO)	45R2568	N
2	Microprocessor, Core 2 Quad Q9550 C-1 YORKFIELD 2.83GHz 1333MHZ FSB 12M L2 (models CTO)	45C7739	N
2	Microprocessor, Core 2 Quad Q9450 C-1 YORKFIELD 2.66GHz 1333MHZ FSB 12M L2 (models CTO)	45C7740	N
2	Microprocessor, Core 2 Quad Q9300 M-1 YORKFIELD 2.5GHz 1333MHZ FSB 6M L2 (models CTO)	45C7741	N
2	Microprocessor, Core 2 Duo E8300 C-0 WOLFDALÉ 2.83GHz 1333MHZ FSB 6M L2 (models CTO)	45C7737	N
2	Microprocessor, Core 2 Duo E7300 M-0 2.66GHz 1066MHz FSB 3M L2 (models CTO)	46R1622	N
2	Microprocessor, Core 2 Duo E7200 M-0 2.53GHz 1066MHz FSB 3M L2 (models CTO)	45R8337	N
2	Microprocessor, Core 2 Duo E4700 G-0 2.6GHz 800MHz FSB 2M L2 (models CTO)	45R5786	N
2	Microprocessor, Celeron Dual Core E1400 M-0 2.0GHz 800MHz FSB 512K L2 (models CTO)	45R8339	N
2	Microprocessor, Celeron Dual Core E1200 M-0 1.6GHz 800MHz FSB 512K L2, LGA, EM64T - NPI (models CTO B1G)	45R8341	N
2	Microprocessor, Core 2 Duo E8600 E-0 WOLFDALÉ 3.33GHz 1333MHZ FSB 6M L2 (models CTO)	46R8640	N
2	Microprocessor, Pentium Dual Core E5200 M-0 WOLFDALÉ 2.5GHz 800MHz FSB 2M L2 (models CTO)	46R9512	N
3	DVD-ROM Drive - 16x/48x - SATA Vista & non-Vista (models B1G)	41N3325	2
3	DVD-ROM/CD-RW Combo Drive - 48x/32x/48x/16x - SATA Vista & non-Vista (models AAG)	42Y9353	2
3	DVD-RW/CD-RW Rambo 8 - SATA Vista & non-Vista (models)	43C1042	2
4	Front Power/LED PC, bracket, and cable (all models)	41N8213	2
5	Hard disk drive, SATA 80GB 7200RPM/3Gb/8MB (models)	40Y9034	2
5	Hard disk drive, SATA 160GB 7200RPM/3Gb/8MB (models AAG B1G)	40Y9035	2
5	Hard disk drive, SATA 320GB 7200rpm SATA/8MB (models)	87H4891	2
6	Diskette drive, 3,5", 1.44MB, 2-mode, (w/bezel) (models)	40Y9105	2
6	Diskette drive, 3,5", 1.44MB, 2-mode, (w/bezel) (models)	40Y9107	2
7	Front USB/Audio with bracket (all models)	41N8212	2

Item #	9489 FRUs	FRU#	CRU
8	Memory module, 512 MB PC-5300 (667MHz) DDR2 SDRAM (models)	41X4255	2
8	Memory module, 1 GB PC-5300 (667MHz) DDR2 SDRAM (models AAG B1G)	41X4256	2
8	Memory module, 2 GB PC-5300 (667MHz) DDR2 SDRAM (models)	41X4257	2
8	Memory module, 512 MB PC2-6400 (800MHz) DDR2 SDRAM (models)	41X1079	2
8	Memory module, 1GB PC-6400 (800MHz) DDR2 SDRAM (models)	41X1080	2
8	Memory module, 2GB PC-6400 (800MHz) DDR2 SDRAM (models)	41X1081	2
9	System board, Intel G31 nano-BTX GA Level (models AAG B1G)	53Y5125	N
10	Power supply, 220 Watt Power Supply - Robust; for all countries except for JP (models AAG B1G)	41A9689	N
10	Power supply, 220 Watt Power Supply - Japan;only for JP (models AAG B1G)	41A9697	N
10	Power supply, 220W 80% Power supply-for all countries (models AAG B1G)	41A9670	N
10	Power supply, 280W TFX 280W PS ,Active PFC,for RockyS-for all countries (models AAG B1G)	41A9705	N

The FRUs listed in the following tables are not illustrated.

9489 FRUs	FRU#	CRU
Planer shield, Atx 946,G31 with usb number (all models)	41R6384	N
Shield, EMC , Blank 5.25 (all models)	41N8271	2
Shield, EMC , Blank diskette drive (all models)	41N8273	2
Cover (all models)	41N8204	2
Mechanical shell kit (all models)	41R6387	N
Bezel kit, without IBM logo (all models)	41R6238	2
Miscellaneous hardware kit (all models)	41N8209	2
Hard disk drive bracket assembly (plastic and grommets) (all models)	41N8210	2
Hard disk drive fan and bracket asm (all models)	41R6325	2
Speaker cable assembly, 600 mm cable length (all models)	41N8217	2
Fan duct assembly (all models)	41R4808	2
Rear USB 2Ports II LP (R), low profile I/O, 200mm, Rohs (all models)	42Y8006	2
Retention module assembly, Intel (all models)	41A7139	N
Intrusion switch assembly (all models)	41R6208	2
Foot stand (all models)	41R4813	1
Cable, diskette drive (all models)	41A7147	2
Cable, serial ATA, 250 mm (all models)	43N9012	2
Rear Com2 cable II LP(R), low profile I/O, 250mm, Rohs (all models)	42Y8008	2
Fru,Tamdhu chassis primary HDD cage (all models)	45K6272	1
Fru,Tamdhu ruber foot(For acoustic improvement) (all models)	45K6278	2
BATTERY 3V-LITHIUM (TOWER,ROCKYS,LX-607) (models AAG B1G)	45C1566	N

9489 Keyboard (Lenovo USB Preferred -- without hub)	FRU#	CRU Tier
US English (models)	41A5039	1
Arabic (models)	41A5040	1
Arabic/French (models)	41A5041	1
Belgian/French (models)	41A5042	1
Belgian/English (models)	41A5043	1
Brazilian Portuguese (models)	41A5044	1
Bulgarian (models)	41A5045	1
Chinese/US (models)	41A5046	1
Czech (models)	41A5047	1
Danish (models)	41A5048	1
Dutch (models)	41A5049	1
French (models)	41A5050	1
French Canadian (models)	41A5051	1
French Canadian (models)	41A5052	1
German (models)	41A5053	1
Greek (models)	41A5054	1
Greek/US (models)	41A5080	1
Hebrew (models)	41A5055	1
Hungarian (models)	41A5056	1
Iceland (models)	41A5057	1
Italian (models)	41A5058	1
Japanese (models)	41A5059	1
Korean (models)	41A5060	1
LA Spanish (models)	41A5061	1
Norwegian (models)	41A5062	1
Polish (models)	41A5063	1
Portuguese (models)	41A5064	1
Romanian (models)	41A5065	1
Russian/Cyrillic (models)	41A5066	1
Serbian/Cyrillic (models)	41A5067	1
Slovak (models)	41A5068	1
Spanish (models)	41A5069	1
Swedish/Finnish (models)	41A5070	1
Swiss (models)	41A5071	1
Thailand (models)	41A5072	1
Turkish (models)	41A5073	1
Turkish (models)	41A5074	1
UK English (models)	41A5075	1

9489 Keyboard (Lenovo USB Preferred -- without hub)	FRU#	CRU Tier
US Euro (models)	41A5076	1
Slovenian (models)	41A5077	1

9489 Keyboard (Lenovo USB Preferred -- without hub)	FRU#	CRU Tier
US English (models AAG B1G)	41A5289	1
Arabic (models AAG B1G)	41A5290	1
Arabic/French (models)	41A5291	1
Belgian/French (models AAG B1G)	41A5292	1
Belgian/UK (models AAG B1G)	41A5293	1
Brazilian Portuguese (models)	41A5294	1
Bulgarian (models AAG B1G)	41A5295	1
Chinese/US (models)	41A5296	1
Czech(ABB) (models AAG B1G)	41A5297	1
Danish (models AAG B1G)	41A5298	1
Dutch (models AAG B1G)	41A5299	1
French (models AAG B1G)	41A5300	1
French Canadian (models)	41A5301	1
French Canadian (models)	41A5302	1
German (models AAG B1G)	41A5303	1
Greek (models AAG B1G)	41A5304	1
Greek/US (models AAG B1G)	41A5305	1
Hebrew (models AAG B1G)	41A5306	1
Hungarian (models AAG B1G)	41A5307	1
Iceland (models AAG B1G)	41A5308	1
Italian (models AAG B1G)	41A5309	1
Japanese (models)	41A5310	1
Korean (models)	41A5311	1
LA Spanish (models)	41A5312	1
Norwegian (models AAG B1G)	41A5313	1
Polish (models AAG B1G)	41A5314	1
Portuguese (models AAG B1G)	41A5315	1
Romanian (models AAG B1G)	41A5317	1
Russian/Cyrillic (models AAG B1G)	41A5318	1
Serbian/Cyrillic (models AAG B1G)	41A5319	1
Slovak (models AAG B1G)	41A5320	1
Spanish (models AAG B1G)	41A5321	1
Swedish/Finnish (models AAG B1G)	41A5322	1
Swiss French/German (models AAG B1G)	41A5323	1

9489 Keyboard (Lenovo USB Preferred -- without hub)	FRU#	CRU Tier
Thailand (models)	41A5324	1
Turkish (models AAG B1G)	41A5325	1
Turkish (models AAG B1G)	41A5326	1
UK English (models AAG B1G)	41A5327	1
US Euro (models)	41A5328	1
Slovenian (models AAG B1G)	41A5329	1

9489 Keyboard (Lenovo Enhanced Perf, USB Preferred -- with hub)	FRU#	CRU Tier
US English (models)	41A4961	1
Arabic (models)	41A4962	1
Arabic/French (models)	41A4963	1
Belgian/French (models)	41A4964	1
Belgian/UK (models)	41A4965	1
Brazilian Portuguese (models)	41A4966	1
Bulgarian (models)	41A4967	1
Chinese/US (models)	41A4968	1
Czech(ABB) (models)	41A4969	1
Danish (models)	41A4970	1
Dutch (models)	41A4971	1
French (models)	41A4972	1
French Canadian (models)	41A4973	1
French Canadian (models)	41A4974	1
German (models)	41A4975	1
Greek (models)	41A4976	1
Greek/US (models)	41A5078	1
Hebrew (models)	41A4977	1
Hungarian (models)	41A4978	1
Iceland (models)	41A4979	1
Italian (models)	41A4980	1
Japanese (models)	41A4981	1
Korean (models)	41A4982	1
LA Spanish (models)	41A4983	1
Norwegian (models)	41A4984	1
Polish (models)	41A4985	1
Portuguese (models)	41A4986	1
Romanian (models)	41A4987	1
Russian/Cyrillic (models)	41A4988	1
Serbian/Cyrillic (models)	41A4989	1

9489 Keyboard (Lenovo Enhanced Perf, USB Preferred -- with hub)	FRU#	CRU Tier
Slovak (models)	41A4990	1
Spanish (models)	41A4991	1
Swedish/Finnish (models)	41A4992	1
Swiss French/German (models)	41A4993	1
Thailand (models)	41A4994	1
Turkish (models)	41A4995	1
Turkish (models)	41A4996	1
UK English (models)	41A4997	1
US Euro (models)	41A4998	1
Slovenian (models)	41A4999	1

9489 Keyboard (Lenovo Fingerprint Reader USB)	FRU#	CRU Tier
US English (models)	41A5248	1
Arabic (models)	41A5249	1
Arabic/French (models)	41A5250	1
Belgian/French (models)	41A5251	1
Belgian/UK (models)	41A5252	1
Brazilian Portuguese (models)	41A5253	1
Bulgarian (models)	41A5254	1
Chinese/US (models)	41A5255	1
Czech(ABB) (models)	41A5256	1
Danish (models)	41A5257	1
Dutch (models)	41A5258	1
French (models)	41A5259	1
French Canadian (models)	41A5260	1
French Canadian (models)	41A5261	1
German (models)	41A5262	1
Greek (models)	41A5263	1
Greek/US (models)	41A5264	1
Hebrew (models)	41A5265	1
Hungarian (models)	41A5266	1
Iceland (models)	41A5267	1
Italian (models)	41A5268	1
Japanese (models)	41A5269	1
Korean (models)	41A5270	1
LA Spanish (models)	41A5271	1
Norwegian (models)	41A5272	1
Polish (models)	41A5273	1

9489 Keyboard (Lenovo Fingerprint Reader USB)	FRU#	CRU Tier
Portuguese (models)	41A5274	1
Romanian (models)	41A5276	1
Russian/Cyrillic (models)	41A5277	1
Serbian/Cyrillic (models)	41A5278	1
Slovak (models)	41A5279	1
Spanish (models)	41A5280	1
Swedish/Finnish (models)	41A5281	1
Swiss French/German (models)	41A5282	1
Thailand (models)	41A5283	1
Turkish (models)	41A5284	1
Turkish (models)	41A5285	1
UK English (models)	41A5286	1
US Euro (models)	41A5287	1
Slovenian (models)	41A5288	1

9489 mice	FRU#	CRU
Optical Wheel Mouse (400DPI, USB) (models AAG B1G)	41U3013	1
Optical Wheel Mouse (400DPI, USB) (models AAG B1G)	41U3030	1
PS/2 2 Button Ball Mouse (models)	41R0018	1

9489 Adapters and miscellaneous FRUs	FRU#	CRU
Internal USB Memory Card Reader floppy bay (models)	41R3378	2
USB Memory Key (models)	43R2296	2
IEEE 1394 Firewire Adapter SFF (models AAG)	41D2781	2
Soft Modem V.90/V.44 SFF (models AAG)	46R4220	2
USB Memory Key - 1G RoW (models AAG)	41U4978	1
ATI HD 2400PRO 128MB 64BIT DMS59 LP (models)	43C0259	2
ATI HD 2400XT 256MB 64BIT DMS59 LP (models)	43C0260	2
ADD2 DVI Adapter,LP (HDCP) (models)	43C0258	2
DVI-I connection Adapter Full Height (models)	39J9334	2
Internal USB Memory Card Reader Slim (LX-607) (models)	45R1885	1
DVI-I connection Adapter Low Profile (models)	39J9334	2
Speaker Power brick - US, Canada, LA low voltage,ASEAN (models)	89P8571	1
Speaker Power brick - LA high voltage (non-APU) (models)	89P8575	1
Speaker Power brick - China, Thailand (models)	89P8581	1
Speaker Power brick - Japan (models)	89P8577	1
Speaker Power brick - Brazil (models)	89P8583	1
Speaker Power brick - Argentina (models)	41A4901	1

9489 Adapters and miscellaneous FRUs	FRU#	CRU
Speaker Power brick - ANZ (models)	89P8579	1
Speaker Brick - Korea (models)	41A4903	1
Speaker Brick - Hong Kong, EMEA (models AAG B1G)	89P8573	1
Speaker Brick - Taiwan (models)	41A4905	1
Speaker Power brick - India, South Africa (models)	89P8585	1
Dongle DMS Dule DMS-59 to dual VGA Cable (models)	42Y8181	2
Dongle DMS Dule DMS-59 to dual DVI Cable (models)	41X6398	2

9489 Line Cords	FRU#	CRU
Line cord - US (models)	41R3184	1
Line cord - US (models)	41R3185	1
Line cord - China (models)	41R3256	1
Line cord - China (models)	41R3257	1
Line cord - Brazil (models)	41R3270	1
Line cord - Brazil (models)	41R3271	1
Line cord - LA High Volt APU (models)	41R3176	1
Line Cord - LA High Volt APU (models)	41R3177	1
Line Cord - Korea (models)	41R3260	1
Line Cord - Korea (models)	41R3261	1
Line Cord - UK, Ireland, Singapore, Malaysia, Brunei (models AAG B1G)	41R3224	1
Line Cord - UK, Ireland, Singapore, Malaysia, Brunei (models AAG B1G)	41R3225	1
Line Cord - Taiwan (models)	41R3278	1
Line Cord - Taiwan (models)	41R3279	1
Line Cord - Italy (models AAG B1G)	41R3232	1
Line Cord - Italy (models AAG B1G)	41R3233	1
Line Cord - Indonesia, Laos, Cambodia, and Vietnam (models)	41R3208	1
Line Cord - Indonesia, Laos, Cambodia, and Vietnam (models)	41R3209	1
Line Cord - Denmark (models AAG B1G)	41R3212	1
Line Cord - Denmark (models AAG B1G)	41R3213	1
Line Cord - Switzerland (models AAG B1G)	41R3228	1
Line Cord - Switzerland (models AAG B1G)	41R3229	1
Line Cord - Israel (models AAG B1G)	41R3236	1
Line Cord - Israel (models AAG B1G)	41R3237	1
Line Cord - South Africa (models AAG B1G)	41R3220	1
Line Cord - South Africa (models AAG B1G)	41R3221	1
Line Cord - India (models)	41R3341	1
Line Cord - India (models)	41R3175	1
Line Cord - Japan (models)	41R3248	1
Line Cord - Japan (models)	41R3249	1

9489 Line Cords	FRU#	CRU
Line Cord - ANZ (models)	41R3196	1
Line Cord - ANZ (models)	41R3197	1
Line Cord - Hong Kong (models)	41R3224	1
Line Cord - Hong Kong (models)	41R3225	1

9489 Windows XP Home Recovery CDs	FRU#	CRU
US/UK/AP/TH (models)	TBD	1
FR/CF (models)	TBD	1
GR (models)	TBD	1
IT (models)	TBD	1
BR (models)	TBD	1
SP/LA (models)	TBD	1
DK (models)	TBD	1
NL (models)	TBD	1
AE (models)	TBD	1
SV (models)	TBD	1
HE (models)	TBD	1
FI (models)	TBD	1
NO (models)	TBD	1
PL (models)	TBD	1
PO (models)	TBD	1
RU (models)	TBD	1
RE (models)	TBD	1
HU (models)	TBD	1
CZ (models)	TBD	1
TR (models)	TBD	1
GK (models)	TBD	1
Japanese (models)	TBD	1
Simplified Chinese (models)	TBD	1
Taiwan-TC (models)	TBD	1
Hong Kong-TC (models)	TBD	1
Korea (models)	TBD	1

9489 Windows XP Pro Recovery CDs	FRU#	CRU
US/UK/AP/TH (models)	45R0756	1
FR/CF (models)	45R0759	1
GR (models)	45R0760	1
IT (models)	45R0762	1
BR (models)	45R0763	1

9489 Windows XP Pro Recovery CDs	FRU#	CRU
SP/LA (models)	45R0761	1
DK (models)	45R0764	1
NL (models)	45R0767	1
AE (models)	45R2342	1
SV (models)	45R0765	1
HE (models)	45R2334	1
FI (models)	45R0766	1
NO (models)	45R0770	1
PL (models)	45R0777	1
PO (models)	45R0774	1
RU (models)	45R0773	1
RE (models)	45R2318	1
HU (models)	45R0780	1
CZ (models)	45R0776	1
TR (models)	45R0775	1
GK (models)	45R0772	1
SL (models)	45R2326	1
Japanese (models)	45R0757	1
Simplified Chinese (models)	45R0758	1
Taiwan-TC (models)	45R0768	1
Hong Kong-TC (models)	45R0769	1
Korea (models)	45R0771	1
Multilingual 1 XP-P -- EN, NL, FR, GR, IT (models)	45R8246	1
Multilingual 2 XP-P -- EN, DK, FI, NO, SV (models)	45R8247	1

9489 Vista Home Basic 32 SP1 Recovery DVDs	FRU#	CRU
English (models)	46R7273	1
Japanese (models)	46R7274	1
Simplified Chinese (models)	46R7275	1
French (models)	46R7276	1
German (models)	46R7277	1
Spanish (models)	46R7278	1
Italian (models)	46R7279	1
Brazilian Portuguese (models)	46R7280	1
Danish (models)	46R7281	1
Swedish (models)	45R9758	1
Finland (models)	45R9759	1
Dutch (models)	45R9760	1
Traditional Chinese (models)	46R7282	1

9489 Vista Home Basic 32 SP1 Recovery DVDs	FRU#	CRU
Hong Kong (models)	46R7283	1
Norwegian (models)	46R7284	1
Korean (models)	45R9764	1
Slovenian (models)	45R9765	1
Greek (models)	45R9766	1
Russian (models)	46R7285	1
Portuguese (models)	45R9768	1
Turkish (models)	45R9769	1
Czech (models)	45R9770	1
Polish (models)	45R9771	1
Russian English (models)	46R7286	1
Arabic Localized (models)	45R9773	1
Hebrew (models)	45R9774	1
Hungarian (models)	45R9775	1
Slovakian (models)	45R9776	1

9489 Vista Business 32 SP1 Recovery DVDs	FRU#	CRU
English (models AAG B1G)	46R7287	1
Japanese (models)	46R7288	1
Simplified Chinese (models)	46R7289	1
French (models AAG B1G)	46R7290	1
German (models AAG B1G)	46R7291	1
Spanish (models AAG B1G)	46R7292	1
Italian (models AAG B1G)	46R7293	1
Brazilian Portuguese (models)	46R7294	1
Danish (models AAG B1G)	46R7295	1
Swedish (models AAG B1G)	45R9786	1
Finland (models AAG B1G)	45R9787	1
Dutch (models AAG B1G)	45R9788	1
Traditional Chinese (models)	46R7296	1
Hong Kong (models)	46R7297	1
Norwegian (models AAG B1G)	46R7298	1
Korean (models AAG B1G)	45R9792	1
Slovenian (models AAG B1G)	45R9793	1
Greek (models AAG B1G)	45R9794	1
Russian (models AAG B1G)	46R7299	1
Portuguese (models AAG B1G)	45R9796	1
Turkish (models AAG B1G)	45R9797	1
Czech (models AAG B1G)	45R9798	1

9489 Vista Business 32 SP1 Recovery DVDs	FRU#	CRU
Polish (models AAG B1G)	45R9799	1
Russian English (models AAG B1G)	46R7300	1
Arabic Localized (models)	45R9801	1
Hebrew (models AAG B1G)	45R9802	1
Romanian (models AAG B1G)	45R9803	1
Hungarian (models AAG B1G)	45R9804	1
Slovakian (models AAG B1G)	45R9805	1
Serbian-Latin (models)	45R9806	1

9489 Vista VHP SP1 Recovery DVDs	FRU#	CRU
English (models)	46R7315	1
Japanese (models)	46R7316	1
Simplified Chinese (models)	46R7317	1
French (models)	46R7318	1
German (models)	46R7319	1
Spanish (models)	46R7320	1
Italian (models)	46R7321	1
Brazilian Portuguese (models)	46R7322	1
Danish (models)	46R7323	1
Swedish (models)	45R9844	1
Finland (models)	45R9845	1
Dutch (models)	45R9846	1
Traditional Chinese (models)	46R7324	1
Hong Kong (models)	46R7325	1
Norwegian (models)	46R7326	1
Korean (models)	45R9850	1
Slovenian (models)	45R9851	1
Greek (models)	45R9852	1
Russian (models)	46R7327	1
Portuguese (models)	45R9854	1
Turkish (models)	45R9855	1
Czech (models)	45R9856	1
Polish (models)	45R9857	1
Russian English (models)	46R7328	1
Arabic Localized (models)	45R9859	1
Hebrew (models)	45R9860	1
Romanian (models)	45R9861	1
Hungarian (models)	45R9862	1

9489 Vista VHP SP1 Recovery DVDs	FRU#	CRU
Slovakian (models)	45R9863	1
Serbian-Latin (models)	45R9864	1

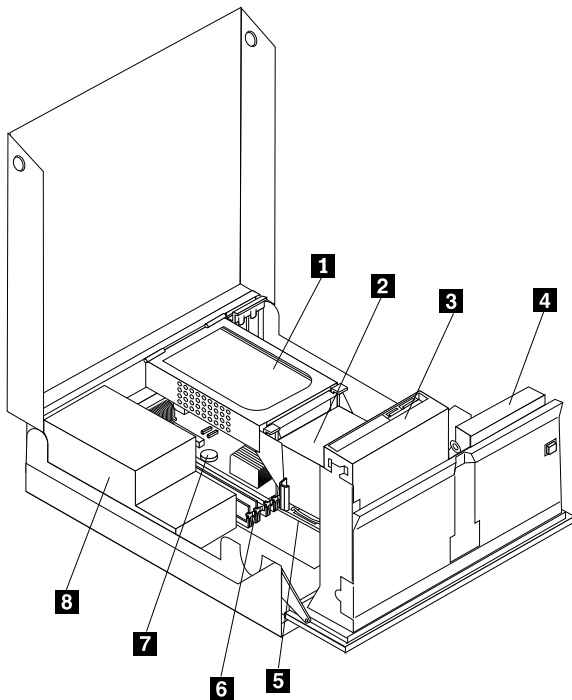
9489 Vista Business 64 SP1 Recovery DVDs	FRU#	CRU
English (models)	46R7301	1
Russian English (models)	46R7302	1
French (models)	46R7303	1
German (models)	46R7304	1
Spanish (models)	46R7305	1
Brazilian Portuguese (models)	46R7306	1
Italian (models)	46R7307	1
Japanese (models)	46R7308	1
Norwegian (models)	46R7309	1
Swedish (models)	45R9816	1
Danish (models)	45R9817	1
Dutch (models)	45R9818	1
Czech (models)	46R7310	1
Finnish (models)	46R7311	1
Polish (models)	46R7312	1
Russian (models)	45R9822	1
Turkish (models)	45R9823	1
Hungarian (models)	45R9824	1
Greek (models)	45R9825	1
Simplified Chinese (models)	46R7313	1
Taiwan (models)	45R9827	1
HongKong (models)	45R9828	1
Korea (models)	45R9829	1
Slovenian (models)	46R7314	1
Portuguese (models)	45R9831	1
Arabic Localized (models)	45R9832	1
Hebrew (models)	45R9833	1
Slovakian (models)	45R9834	1

9489 Vista Ultimate 32 SP1 Recovery DVDs	FRU#	CRU
English (models)	46R7329	1
Japanese (models)	46R7330	1
Simplified Chinese (models)	46R7331	1
French (models)	46R7332	1
German (models)	46R7333	1

9489 Vista Ultimate 32 SP1 Recovery DVDs	FRU#	CRU
Spanish (models)	46R7334	1
Italian (models)	46R7335	1
Brazilian Portuguese (models)	46R7336	1
Danish (models)	46R7337	1
Swedish (models)	45R9874	1
Finland (models)	45R9875	1
Dutch (models)	45R9876	1
Traditional Chinese (models)	46R7338	1
Hong Kong (models)	46R7339	1
Norwegian (models)	46R7340	1
Korean (models)	45R9880	1
Slovenian (models)	45R9881	1
Greek (models)	45R9882	1
Russian (models)	46R7341	1
Portuguese (models)	45R9884	1
Turkish (models)	45R9885	1
Czech (models)	45R9886	1
Polish (models)	45R9887	1
Russian English (models)	46R5089	1
Arabic Localized (models)	46R7342	1
Hebrew (models)	45R9890	1
Hungarian (models)	45R9891	1
Slovakian (models)	45R9892	1

9489 Vista Starter 32 Recovery DVDs	FRU#	CRU
English (models)	46R5059	1

Machine Type 9622



Item #	9622 FRUs	FRU#	CRU
1	Hard disk drive,SATA 80GB 7200RPM/3Gb/8MB (models A1G)	40Y9034	2
1	Hard disk drive,SATA 160GB 7200RPM/3Gb/8MB (models A2G B1G B2G B4G)	40Y9035	2
1	Hard disk drive,SATA 320GB 7200rpm SATA/8MB (models B3G)	87H4891	2
2	Thermal kit (all models)	41R6039	2
3	Optical drive,DVD-ROM Drive - 16x/48x - SATA Vista & non-Vista (models A1G B2G B4G)	41N3325	2
3	Optical drive,DVD-ROM/CD-RW Combo Drive - 48x/32x/48x/16x - SATA Vista & non-Vista (models A2G)	42Y9353	2
3	Optical drive,DVD-RW/CD-RW Rambo 8 - SATA Vista & non-Vista (models A3G B1G B3G)	43C1042	2
5	Microprocessor, Celeron 420 CONROE-L 800/1600MHZ-512K,LGA,EM64T(models)	43C3835	N
5	Microprocessor, Celeron 430 CONROE-L 800/1800MHZ-512K,LGA,EM64T (models A1G)	43C1964	N
5	Microprocessor, Celeron 440 CONROE-L 800/2000MHZ-512K,LGA,EM64T(models)	43C1965	N
5	Microprocessor, Pentium Dual-core E2140 CONROE-L 800/1600MHZ-1M, LGA, EM64T (models)	43C1967	N
5	Microprocessor, Pentium Dual-core E2160 CONROE-L 800/1800MHZ-1M, LGA, EM64T (models)	43C1968	N
5	Microprocessor, Core 2 Duo E4400 L2 CONROE 800/2000MHZ-2M, LGA, EM64T(models)	43C2056	N
5	Microprocessor,Core 2 Duo E6400 B2 CONROE 1066/2130MHZ-2M, LGA, EM64T L2 Value (models)	41X2496	N

Item #	9622 FRUs	FRU#	CRU
5	Microprocessor, Pentium Dual-core E2200 CONROE-L 800/2200MHZ-1M, LGA, EM64T - NPI (models CTO)	45C5349	N
5	Microprocessor, Pentium Dual-core E2180 CONROE-L 800/2000MHZ-1M, LGA, EM64T - NPI (models CTO)	45C1773	N
5	Microprocessor, Pentium Dual-core E2220 CONROE-L 800/2400MHZ-1M, LGA, EM64T - NPI (models CTO)	45C1774	N
5	Microprocessor, Core 2 Duo E4600 M0 CONROE 800/2400MHZ-2M, LGA, EM64T - NPI (models CTO)	45C5282	N
5	Microprocessor, Core 2 Duo E4500 M0 CONROE 800/2200MHZ-2M, LGA, EM64T (models CTO)	43C6305	N
5	Microprocessor, Core 2 Duo E6850 G0 CONROE 1333/3000MHZ-4M, LGA, EM64T (models CTO)	43C1694	N
5	Microprocessor, Core 2 Duo E6750 G0 CONROE 1333/2660MHZ-4M, LGA, EM64T (models CTO)	43C1693	N
5	Microprocessor, Core 2 Duo E6550 G0 CONROE 1333/2330MHZ-4M, LGA, EM64T (models CTO)	43C3833	N
5	Microprocessor, Core 2 Quad G-0 Q6700 KENTSFIELD 1066/2660MHZ-8M (models CTO)	43C6309	N
5	Microprocessor, Core 2 Quad G-0 Q6600 KENTSFIELD 1066/2400MHZ-8M (models CTO)	43C1695	N
5	Microprocessor, Core 2 Duo E8500 WOLFDAL E 1333/3160MHZ-6M (models CTO)	45C7735	N
5	Microprocessor, Core 2 Duo E8400 WOLFDAL E 1333/3000MHZ-6M (models CTO)	45C7736	N
5	Microprocessor, Core 2 Duo E8200 WOLFDAL E 1333/2660MHZ-6M (models CTO)	45C7738	N
5	Microprocessor, Core 2 Duo E8190 WOLFDAL E 1333/2660MHZ-6M - NON VT/Vpro (models CTO)	45R2568	N
5	Microprocessor, Core 2 Quad Q9550 C-1 YORKFIELD 2.83GHz 1333MHZ FSB 12M L2 (models CTO)	45C7739	N
5	Microprocessor, Core 2 Quad Q9450 C-1 YORKFIELD 2.66GHz 1333MHZ FSB 12M L2 (models CTO)	45C7740	N
5	Microprocessor, Core 2 Quad Q9300 M-1 YORKFIELD 2.5GHz 1333MHZ FSB 6M L2 (models CTO)	45C7741	N
5	Microprocessor, Core 2 Duo E8300 C-0 WOLFDAL E 2.83GHz 1333MHZ FSB 6M L2 (models CTO)	45C7737	N
5	Microprocessor, Core 2 Duo E7300 M-0 2.66GHz 1066MHz FSB 3M L2 (models CTO)	46R1622	N
5	Microprocessor, Core 2 Duo E7200 M-0 2.53GHz 1066MHz FSB 3M L2 (models CTO)	45R8337	N
5	Microprocessor, Core 2 Duo E4700 G-0 2.6GHz 800MHz FSB 2M L2 (models CTO)	45R5786	N
5	Microprocessor, Celeron Dual Core E1400 M-0 2.0GHz 800MHz FSB 512K L2 (models CTO)	45R8339	N
5	Microprocessor, Celeron Dual Core E1200 M-0 1.6GHz 800MHz FSB 512K L2, LGA, EM64T - NPI (models CTO B4G)	45R8341	N
5	Microprocessor, Core 2 Duo E8600 E-0 WOLFDAL E 3.33GHz 1333MHZ FSB 6M L2 (models CTO)	46R8640	N
5	Microprocessor, Pentium Dual Core E5200 M-0 WOLFDAL E 2.5GHz 800MHz FSB 2M L2 (models CTO)	46R9512	N
6	Memory module, 512 MB PC-5300 (667MHz) DDR2 SDRAM (models)	41X4255	2

Item #	9622 FRUs	FRU#	CRU
6	Memory module,1 GB PC-5300 (667MHz) DDR2 SDRAM (models A2G A3G A1G B4G)	41X4256	2
6	Memory module,2 GB PC-5300 (667MHz) DDR2 SDRAM (models B2G B3G)	41X4257	2
6	Memory module,512 MB PC2-6400 (800MHz) DDR2 SDRAM (models)	41X1079	2
6	Memory module,1GB PC-6400 (800MHz) DDR2 SDRAM (models B1G)	41X1080	2
6	Memory module,2GB PC-6400 (800MHz) DDR2 SDRAM (models)	41X1081	2
7	System board, Intel G31 nano-BTX GA Level (models A2G A3G A1G B1G B2G B3G B4G)	53Y5125	N
8	Power supply,280W Active PFC power supply for 10L---all countries (models A2G A3G A1G B1G B2G B3G B4G)	41A9701	2
8	Power supply,280W 80+ power supply for 10L---all countries (models A2G A3G A1G B1G B2G B3G B4G)	41A9717	2

The FRUs listed in the following tables are not illustrated.

9622 FRUs	FRU#	CRU
Power switch/LED cable assembly (all models)	41R3391	2
USB cable assembly (all models)	41R3392	2
SATA cable, 120mm (all models)	41R3328	2
SATA cable, 700mm (all models)	39K5026	2
Speaker/Cable assembly (all models)	39K5012	2
System Fan assembly (all models)	41R6249	2
Cpu Support Module (all models)	41R6252	N
HDD Tray assembly (all models)	41R6253	2
Internal Plastic (all models)	41R6254	2
Bezel, Plastic (all models)	41R6255	2
Front rotating cage assembly (all models)	41R6256	N
Top cover assembly (all models)	41R6257	2
fan for SFF (all models)	41R6042	2
Rell IO shield BTX atlantic (all models)	41R6381	N
C2 Intrusion Switch (all models)	39K5022	2
Chassis atlantic (all models)	41R6275	N
10L FRONT I/O CABLE (all models)	43N9015	2
Cabel-SATA 700mm (RoHS) (all models)	43N9011	2
Universal Adapter Bracket 5.25 to 3.5 (all models)	43N9361	2
ODD mounting kit (all models)	43N9362	2
Cardreader Bezel Kit (all models)	43N9363	2
FDD Retainer, 607AT, SFF (LX-607) (all models)	43N9681	2
Vertical Stand, Tampa/607CT (all models)	43N9644	N
HDD bracket ASM (all models)	43N9690	2
HDD bracket with cover b, for Toyota, Flex (all models)	43N9691	2

9622 FRUs	FRU#	CRU
Fru,Tamdhu chassis primary HDD cage (all models)	45K6272	1
Fru,Tamdhu ruber foot(For acoustic improvement) (all models)	45K6278	2
BATTERY 3V-LITHIUM (TOWER,ROCKYS,LX-607) (models A2G A3G A1G B1G B2G B3G B4G)	45C1566	N

9622 Keyboard (Lenovo USB Preferred -- without hub)	FRU#	CRU Tier
US English (models A2G A3G A1G B1G B2G B3G B4G)	41A5289	1
Arabic (models)	41A5290	1
Arabic/French (models A2G A3G A1G B1G B2G B3G B4G)	41A5291	1
Belgian French (models A2G A3G A1G B1G B2G B3G B4G)	41A5292	1
Belgium English (models A2G A3G A1G B1G B2G B3G B4G)	41A5293	1
Brazilian Portuguese (models)	41A5294	1
Bulgarian (models A2G A3G A1G B1G B2G B3G B4G)	41A5295	1
Chinese/US (models)	41A5296	1
Czech (ABB) (models A2G A3G A1G B1G B2G B3G B4G)	41A5297	1
Danish (models A2G A3G A1G B1G B2G B3G B4G)	41A5298	1
Dutch (models A2G A3G A1G B1G B2G B3G B4G)	41A5299	1
French (models A2G A3G A1G B1G B2G B3G B4G)	41A5300	1
French Canadian (models)	41A5301	1
French Canadian (models)	41A5302	1
German (models A2G A3G A1G B1G B2G B3G B4G)	41A5303	1
Greek (models A2G A3G A1G B1G B2G B3G B4G)	41A5304	1
Greek/US (models A2G A3G A1G B1G B2G B3G B4G)	41A5305	1
Hebrew (models A2G A3G A1G B1G B2G B3G B4G)	41A5306	1
Hungarian (models A2G A3G A1G B1G B2G B3G B4G)	41A5307	1
Iceland (models A2G A3G A1G B1G B2G B3G B4G)	41A5308	1
Japanese (models)	41A5310	1
Korean (models)	41A5311	1
LA Spanish (models)	41A5312	1
Italian (models A2G A3G A1G B1G B2G B3G B4G)	41A5309	1
Norwegian (models A2G A3G A1G B1G B2G B3G B4G)	41A5313	1
Polish (models A2G A3G A1G B1G B2G B3G B4G)	41A5314	1
Portuguese (models A2G A3G A1G B1G B2G B3G B4G)	41A5315	1
Romanian (models A2G A3G A1G B1G B2G B3G B4G)	41A5317	1
Russian/Cyrillic (models A2G A3G A1G B1G B2G B3G B4G)	41A5318	1
Serbian/Cyrillic (models A2G A3G A1G B1G B2G B3G B4G)	41A5319	1
Slovak (models A2G A3G A1G B1G B2G B3G B4G)	41A5320	1
Spanish (models A2G A3G A1G B1G B2G B3G B4G)	41A5321	1
Swedish/Finnish (models A2G A3G A1G B1G B2G B3G B4G)	41A5322	1

9622 Keyboard (Lenovo USB Preferred -- without hub)	FRU#	CRU Tier
Swiss French/German (models A2G A3G A1G B1G B2G B3G B4G)	41A5323	1
Thailand (models)	41A5324	1
Turkish (models A2G A3G A1G B1G B2G B3G B4G)	41A5325	1
Turkish (models A2G A3G A1G B1G B2G B3G B4G)	41A5326	1
UK English (models A2G A3G A1G B1G B2G B3G B4G)	41A5327	1
US Euro (models A2G A3G A1G B1G B2G B3G B4G)	41A5328	1
Slovenian (models A2G A3G A1G B1G B2G B3G B4G)	41A5329	1

9622 Keyboard (Lenovo Enhanced Perf, USB Preferred -- with hub)	FRU#	CRU Tier
US English (models)	41A4961	1
Arabic (models)	41A4962	1
Arabic/French (models)	41A4963	1
Belgian/French (models)	41A4964	1
Belgium English (models)	41A4965	1
Brazilian Portuguese (models)	41A4966	1
Bulgarian (models)	41A4967	1
Chinese/US (models)	41A4968	1
Czech (ABB) (models)	41A4969	1
Danish (models)	41A4970	1
Dutch (models)	41A4971	1
French (models)	41A4972	1
French Canadian (models)	41A4973	1
French Canadian (models)	41A4974	1
German (models)	41A4975	1
Greek (models)	41A4976	1
Greek/US (models)	41A5078	1
Hebrew (models)	41A4977	1
Hungarian (models)	41A4978	1
Iceland (models)	41A4979	1
Italy (models)	41A4980	1
Japanese (models)	41A4981	1
Korean (models)	41A4982	1
LA Spanish (models)	41A4983	1
Norwegian (models)	41A4984	1
Polish (models)	41A4985	1
Portuguese (models)	41A4986	1
Romanian (models)	41A4987	1
Russian/Cyrillic (models)	41A4988	1

9622 Keyboard (Lenovo Enhanced Perf, USB Preferred -- with hub)	FRU#	CRU Tier
Serbian/Cyrillic (models)	41A4989	1
Slovak (models)	41A4990	1
Spanish (models)	41A4991	1
Swedish/Finnish (models)	41A4992	1
Swiss French/German (models)	41A4993	1
Thailand (models)	41A4994	1
Turkish (models)	41A4995	1
Turkish (models)	41A4996	1
UK English (models)	41A4997	1
US Euro (models)	41A4998	1
Slovenian (models)	41A4999	1

9622 Keyboard (Lenovo Fingerprint Reader USB)	FRU#	CRU Tier
US English (models)	41A5248	1
Arabic (models)	41A5249	1
Arabic/French (models)	41A5250	1
Belgian French (models)	41A5251	1
Belgium English (models)	41A5252	1
Brazilian Portuguese (models)	41A5253	1
Bulgarian (models)	41A5254	1
Chinese/US (models)	41A5255	1
Czech (ABB) (models)	41A5256	1
Danish (models)	41A5257	1
Dutch (models)	41A5258	1
French (models)	41A5259	1
French Canadian (models)	41A5260	1
French Canadian (models)	41A5261	1
German (models)	41A5262	1
Greek (models)	41A5263	1
Greek/US (models)	41A5264	1
Hebrew (models)	41A5265	1
Hungarian (models)	41A5266	1
Iceland (models)	41A5267	1
Italy (models)	41A5268	1
Japanese (models)	41A5269	1
Korean (models)	41A5270	1
LA Spanish (models)	41A5271	1
Norwegian (models)	41A5272	1

9622 Keyboard (Lenovo Fingerprint Reader USB)	FRU#	CRU Tier
Polish (models)	41A5273	1
Portuguese (models)	41A5274	1
Romanian (models)	41A5276	1
Russian/Cyrillic (models)	41A5277	1
Serbian/Cyrillic (models)	41A5278	1
Slovak (models)	41A5279	1
Spanish (models)	41A5280	1
Swedish/Finnish (models)	41A5281	1
Swiss French/German (models)	41A5282	1
Thailand (models)	41A5283	1
Turkish (models)	41A5284	1
Turkish (models)	41A5285	1
UK English (models)	41A5286	1
US Euro (models)	41A5287	1
Slovenian (models)	41A5288	1

9622 mice	FRU#	CRU
Optical Wheel Mouse (400DPI, USB) (models A2G A3G A1G B1G B2G B3G B4G)	41U3013	1
Optical Wheel Mouse (400DPI, USB) (models A2G A3G A1G B1G B2G B3G B4G)	41U3030	1
PS/2 Three Button ball mouse (41R0017) (models)	41R0018	1

9622 Adapters and miscellaneous FRUs	FRU#	CRU
Internal USB Memory Card Reader floppy bay (models)	41R3378	2
Internal USB Memory Card Reader floppy bay (models)	41R3376	2
ATI HD 2600XT 512MB 128BIT ATX (models)	43C0261	2
IEEE 1394 Firewire Adapter SFF (models)	41D2781	2
USB Memory Key (models)	43R2296	2
Soft Modem V.90/V.44 SFF (models CTO)	46R4220	2
Internal USB Memory Card Reader Slim (models)	45R1885	1
USB Memory Key - 1G RoW (models)	41U4978	1
ATI HD 2400PRO 128MB 64BIT DMS59 LP (models)	43C0259	2
ATI HD 2400XT 256MB 64BIT DMS59 ATX (models)	43C0260	2
ADD2 DVI Adapter,LP (HDCP) (models A1G)	43C0258	2
DVI-I connection Adapter Full Height (models A2G A3G A1G B4G)	39J9334	2
DVI-I connection Adapter Low Profile (models A2G A3G A1G)	39J9334	2
Speaker Power brick - US, Canada, LA low voltage, ASEAN (models)	89P8571	1
Speaker Power brick - LA high voltage (non-APU) (models)	89P8575	1
Speaker Power brick - China, Thailand (models)	89P8581	1

9622 Adapters and miscellaneous FRUs	FRU#	CRU
Speaker Power brick - Japan (models)	89P8577	1
Speaker Power brick - Brazil (models)	89P8583	1
Speaker Power brick - Argentina (models)	41A4901	1
Speaker Power brick - ANZ (models)	89P8579	1
Speaker Brick - Korea (models)	41A4903	1
Speaker Brick - Hong Kong, EMEA (models A2G A3G A1G B1G B2G B3G B4G)	89P8573	1
Speaker Brick - Taiwan (models)	41A4905	1
Speaker Power brick - India, South Africa (models)	89P8585	1
Dongle DMS Dule DMS-59 to dual VGA Cable(models)	42Y8181	2
Dongle DMS Dule DMS-59 to dual DVI Cable (models)	41X6398	2

9622 Line Cords	FRU#	CRU
Line cord - US (models)	41R3184	1
Line cord - US (models)	41R3185	1
Line cord - China (models)	41R3256	1
Line cord - China (models)	41R3257	1
Line cord - Brazil (models)	41R3270	1
Line cord - Brazil (models)	41R3271	1
Line cord - LA High Volt APU (models)	41R3176	1
Line Cord - LA High Volt APU (models)	41R3177	1
Line Cord - Korea (models)	41R3260	1
Line Cord - Korea (models)	41R3261	1
Line Cord - UK, Ireland, Singapore, Malaysia, Brunei (models A2G A3G A1G B1G B2G B3G B4G)	41R3224	1
Line Cord - UK, Ireland, Singapore, Malaysia, Brunei (models A2G A3G A1G B1G B2G B3G B4G)	41R3225	1
Line Cord - Taiwan (models)	41R3278	1
Line Cord - Taiwan (models)	41R3279	1
Line Cord - Italy (models A2G A3G A1G B1G B2G B3G B4G)	41R3232	1
Line Cord - Italy (models A2G A3G A1G B1G B2G B3G B4G)	41R3233	1
Line Cord - Indonesia, Laos, Cambodia, and Vietnam (models A2G A3G A1G B1G B2G B3G B4G)	41R3208	1
Line Cord - Indonesia, Laos, Cambodia, and Vietnam (models A2G A3G A1G B1G B2G B3G B4G)	41R3209	1
Line Cord - Denmark (models A2G A3G A1G B1G B2G B3G B4G)	41R3212	1
Line Cord - Denmark (models A2G A3G A1G B1G B2G B3G B4G)	41R3213	1
Line Cord - Switzerland (models A2G A3G A1G B1G B2G B3G B4G)	41R3228	1
Line Cord - Switzerland (models A2G A3G A1G B1G B2G B3G B4G)	41R3229	1
Line Cord - Israel (models A2G A3G A1G B1G B2G B3G B4G)	41R3236	1
Line Cord - Israel (models A2G A3G A1G B1G B2G B3G B4G)	41R3237	1

9622 Line Cords	FRU#	CRU
Line Cord - South Africa (models A2G A3G A1G B1G B2G B3G B4G)	41R3220	1
Line Cord - South Africa (models A2G A3G A1G B1G B2G B3G B4G)	41R3221	1
Line Cord - India (models)	41R3341	1
Line Cord - India (models)	41R3175	1
Line Cord - Japan (models)	41R3248	1
Line Cord - Japan (models)	41R3249	1
Line Cord - ANZ (models)	41R3196	1
Line Cord - ANZ (models)	41R3197	1
Line Cord - Hong Kong (models)	41R3224	1
Line Cord - Hong Kong (models)	41R3225	1

9622 Windows XP Home Recovery CDs	FRU#	CRU
US/UK/AP/TH (models)	TBD	1
FR/CF (models)	TBD	1
GR (models)	TBD	1
IT (models)	TBD	1
BR (models)	TBD	1
SP/LA (models)	TBD	1
DK (models)	TBD	1
NL (models)	TBD	1
AE (models)	TBD	1
SV (Swedish)(models)	TBD	1
HE (models)	TBD	1
FI (models)	TBD	1
NO (models)	TBD	1
PL (models)	TBD	1
PO (models)	TBD	1
RU (models)	TBD	1
RE (models)	TBD	
HU (models)	TBD	1
CZ (models)	TBD	1
TR (models)	TBD	1
GK (models)	TBD	1
Japanese (models)	TBD	1
Simplified Chinese (models)	TBD	1
Taiwan-TC (models)	TBD	1
Hong Kong-TC (models)	TBD	1
Korean (models)	TBD	1

9622 Windows XP Pro Recovery CDs	FRU#	CRU
US English (models A1G)	45R0756	1
French (models A1G)	45R0759	1
German (models A1G)	45R0760	1
Italian (models A1G)	45R0762	1
Brazilian Portuguese (models)	45R0763	1
Spanish (models A1G)	45R0761	1
Danish (models A1G)	45R0764	1
Dutch (models A1G)	45R0767	1
Arabic English (models A1G)	45R2342	1
Swedish (models A1G)	45R0765	1
Hebrew (models A1G)	45R2334	1
Finish (models A1G)	45R0766	1
Norwegian (models A1G)	45R0770	1
Polish (models A1G)	45R0777	1
Portuguese (models A1G)	45R0774	1
Russian (models A1G)	45R0773	1
Russian English (models)	45R2318	1
Hungarian (models A1G)	45R0780	1
Czech (models A1G)	45R0776	1
Turkish (models A1G)	45R0775	1
Greek (models A1G)	45R0772	1
Slovakian (models A1G)	45R2326	1
Japanese (models A1G)	45R0757	1
Simplified Chinese (models A1G)	45R0758	1
Traditional Chinese (models A1G)	45R0768	1
Hong Kong Traditional Chinese (models A1G)	45R0769	1
Korea (models)	45R0771	1
Multilingual 1 XP-Pro -- EN, NL, FR, GR, IT (models A1G)	45R8246	1
Multilingual 2 XP-Pro -- EN, DK, FI, NO, SV (models A1G)	45R8247	1

9622 Vista Home Basic 32 SP1 Recovery DVDs	FRU#	CRU
English (models)	46R7273	1
Japanese (models)	46R7274	1
Simplified Chinese (models)	46R7275	1
French (models)	46R7276	1
German (models)	46R7277	1
Spanish (models)	46R7278	1
Italian (models)	46R7279	1
Brazilian Portuguese (models)	46R7280	1

9622 Vista Home Basic 32 SP1 Recovery DVDs	FRU#	CRU
Danish (models)	46R7281	1
Swedish (models)	45R9758	1
Finland (models)	45R9759	1
Dutch (models)	45R9760	1
Traditional Chinese (models)	46R7282	1
Hong Kong (models)	46R7283	1
Norwegian (models)	46R7284	1
Korean (models)	45R9764	1
Slovenian (models)	45R9765	1
Greek (models)	45R9766	1
Russian (models)	46R7285	1
Portuguese (models)	45R9768	1
Turkish (models)	45R9769	1
Czech (models)	45R9770	1
Polish (models)	45R9771	1
Russian English (models)	46R7286	1
Arabic Localized (models)	45R9773	1
Hebrew (models)	45R9774	1
Hungarian (models)	45R9775	1
Slovakian (models)	45R9776	1

9622 Vista Business 32 SP1 Recovery DVDs	FRU#	CRU
English (models A2G A3G B1G B2G B3G B4G)	46R7287	1
Japanese (models)	46R7288	1
Simplified Chinese (models)	46R7289	1
French (models A2G A3G B1G B2G B3G B4G)	46R7290	1
German (models A2G A3G B1G B2G B3G B4G)	46R7291	1
Spanish (models A2G A3G B1G B2G B3G B4G)	46R7292	1
Italian (models A2G A3G B1G B2G B3G B4G)	46R7293	1
Brazilian Portuguese (models A2G A3G B1G B2G B3G B4G)	46R7294	1
Danish (models A2G A3G B1G B2G B3G B4G)	46R7295	1
Swedish (models A2G A3G B1G B2G B3G B4G)	45R9786	1
Finland (models A2G A3G B1G B2G B3G B4G)	45R9787	1
Dutch (models A2G A3G B1G B2G B3G B4G)	45R9788	1
Traditional Chinese (models)	46R7296	1
Hong Kong (models)	46R7297	1
Norwegian (models A2G A3G B1G B2G B3G B4G)	46R7298	1
Korean (models)	45R9792	1
Slovenian (models A2G A3G B1G B2G B3G B4G)	45R9793	1

9622 Vista Business 32 SP1 Recovery DVDs	FRU#	CRU
Greek (models A2G A3G B1G B2G B3G B4G)	45R9794	1
Russian (models A2G A3G B1G B2G B3G B4G)	46R7299	1
Portuguese (models A2G A3G B1G B2G B3G B4G)	45R9796	1
Turkish (models A2G A3G B1G B2G B3G B4G)	45R9797	1
Czech (models A2G A3G B1G B2G B3G B4G)	45R9798	1
Polish (models A2G A3G B1G B2G B3G B4G)	45R9799	1
Russian English (models A2G A3G B1G B2G B3G B4G)	46R7300	1
Arabic Localized (models)	45R9801	1
Hebrew (models A2G A3G B1G B2G B3G B4G)	45R9802	1
Romanian (models A2G A3G B1G B2G B3G B4G)	45R9803	1
Hungarian (models A2G A3G B1G B2G B3G B4G)	45R9804	1
Slovakian (models A2G A3G B1G B2G B3G B4G)	45R9805	1
Serbian-Latin (models)	45R9806	1

9622 Vista VHP SP1 Recovery DVDs	FRU#	CRU
English (models)	46R7315	1
Japanese (models)	46R7316	1
Simplified Chinese (models)	46R7317	1
French (models)	46R7318	1
German (models)	46R7319	1
Spanish (models)	46R7320	1
Italian (models)	46R7321	1
Brazilian Portuguese (models)	46R7322	1
Danish (models)	46R7323	1
Swedish (models)	45R9844	1
Finland (models)	45R9845	1
Dutch (models)	45R9846	1
Traditional Chinese (models)	46R7324	1
Hong Kong (models)	46R7325	1
Norwegian (models)	46R7326	1
Korean (models)	45R9850	1
Slovenian (models)	45R9851	1
Greek (models)	45R9852	1
Russian (models)	46R7327	1
Portuguese (models)	45R9854	1
Turkish (models)	45R9855	1
Czech (models)	45R9856	1
Polish (models)	45R9857	1
Russian English (models)	46R7328	1

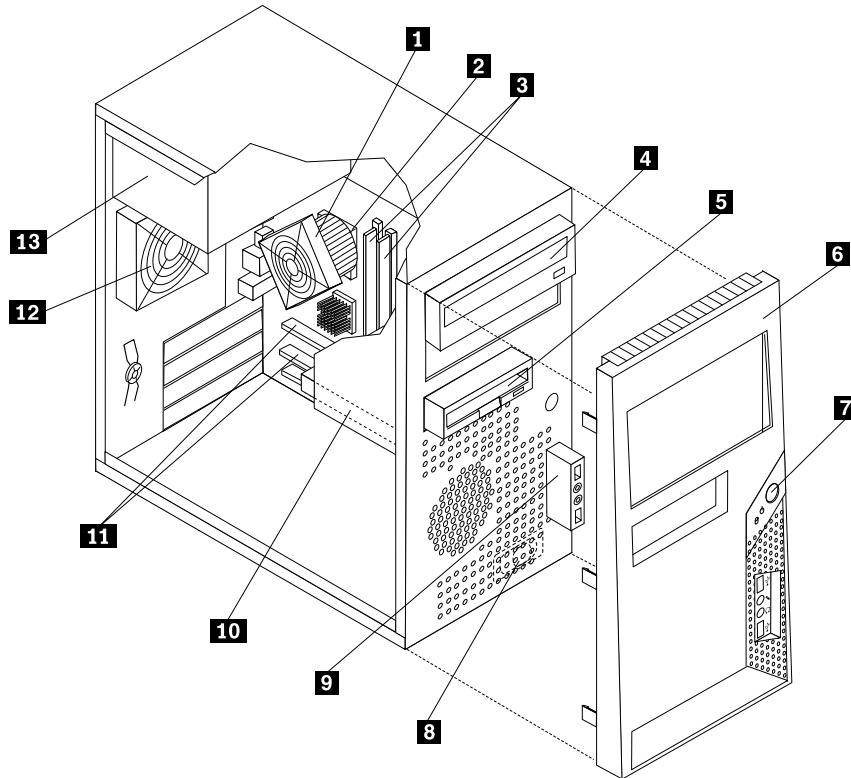
9622 Vista VHP SP1 Recovery DVDs	FRU#	CRU
Arabic Localized (models)	45R9859	1
Hebrew (models)	45R9860	1
Romanian (models)	45R9861	1
Hungarian (models)	45R9862	1
Slovakian (models)	45R9863	1
Serbian-Latin (models)	45R9864	1

9622 Vista Business 64 SP1 Recovery DVDs	FRU#	CRU
English (models)	46R7301	1
Russian English (models)	46R7302	1
French (models)	46R7303	1
German (models)	46R7304	1
Spanish (models)	46R7305	1
Brazilian Portuguese (models)	46R7306	1
Italian (models)	46R7307	1
Japanese (models)	46R7308	1
Norwegian (models)	46R7309	1
Swedish (models)	45R9816	1
Danish (models)	45R9817	1
Dutch (models)	45R9818	1
Czech (models)	46R7310	1
Finnish (models)	46R7311	1
Polish (models)	46R7312	1
Russian (models)	45R9822	1
Turkish (models)	45R9823	1
Hungarian (models)	45R9824	1
Greek (models)	45R9825	1
Simplified Chinese (models)	46R7313	1
Taiwan (models)	45R9827	1
HongKong (models)	45R9828	1
Korea (models)	45R9829	1
Slovenian (models)	46R7314	1
Portuguese (models)	45R9831	1
Arabic Localized (models)	45R9832	1
Hebrew (models)	45R9833	1
Slovakian (models)	45R9834	1

9622 Vista Ultimate 32 SP1 Recovery DVDs	FRU#	CRU
English (models)	46R7329	1
Japanese (models)	46R7330	1
Simplified Chinese (models)	46R7331	1
French (models)	46R7332	1
German (models)	46R7333	1
Spanish (models)	46R7334	1
Italian (models)	46R7335	1
Brazilian Portuguese (models)	46R7336	1
Danish (models)	46R7337	1
Swedish (models)	45R9874	1
Finland (models)	45R9875	1
Dutch (models)	45R9876	1
Traditional Chinese (models)	46R7338	1
Hong Kong (models)	46R7339	1
Norwegian (models)	46R7340	1
Korean (models)	45R9880	1
Slovenian (models)	45R9881	1
Greek (models)	45R9882	1
Russian (models)	46R7341	1
Portuguese (models)	45R9884	1
Turkish (models)	45R9885	1
Czech (models)	45R9886	1
Polish (models)	45R9887	1
Russian English (models)	46R5089	1
Arabic Localized (models)	46R7342	1
Hebrew (models)	45R9890	1
Hungarian (models)	45R9891	1
Slovakian (models)	45R9892	1

9622 Vista Starter 32 Recovery DVDs	FRU#	CRU
English (models)	46R5059	1

Machine Type 9702



Item #	9702 FRUs	FRU#	CRU Tier
1	Heat Sink/RM Kit Intel Prescott, Cedar Mill, Smithfield, Presler (all models)	41R6022	N
1	Intel 65W/95W Heatsink Kit (Tower) (all models)	41R6429	2
2	Microprocessor, Celeron 420 CONROE-L 800/1600MHZ-512K, LGA, EM64T (models A3S A3D A3Y A7A A7Q A7T)	43C3835	N
2	Microprocessor, Celeron 430 CONROE-L 800/1800MHZ-512K, LGA, EM64T (models ACU ACF B1S B1P B1D B1Y APS APD APY B4U B4F B3U B3F 7FG 7SG)	43C1964	N
2	Microprocessor, Celeron 440 CONROE-L 800/2000MHZ-512K,LGA,EM64T (models H7S H7Y)	43C1965	N
2	Microprocessor, Pentium Dual-core E2140 CONROE-L 800/1600MHZ-1M, LGA, EM64T (models)	43C1967	N
2	Microprocessor, Pentium Dual-core E2160 CONROE-L 800/1800MHZ-1M, LGA, EM64T (models 7AG B2S B2P B2D B2Y AQS AQP AQD AQY ASS ASD ASY ARS ARD ARY B5U B5F B6U B6F B6A B6Q B6T B7U B7F B7A B7Q B7T BEA BEQ BET BEK A8A A8Q A8T A9K BBK BCA BCQ BCT BCK BDA BDQ BDT BNA BNQ BNT BPM BPA BPQ BPT BPJ A9A A9Q A9T BAM BBM BBA BBQ BPK D8M D8A D8Q D8T D8J)	43C1968	N
2	Microprocessor, Core 2 Duo E4400 L2 CONROE 800/2000MHZ-2M, LGA, EM64T (models)	43C2056	N
2	Microprocessor, Core 2 Duo E6400 B2 CONROE 1066/2130MHZ-2M, LGA, EM64T L2 Value (models)	41X2496	N
2	Microprocessor, Pentium Dual-core E2200 CONROE-L 800/2200MHZ-1M, LGA, EM64T - NPI (models CTO FCS FCP FCY FDU FDF F9U F9F)	45C5349	N

Item #	9702 FRUs	FRU#	CRU Tier
2	Microprocessor, Pentium Dual-core E2180 CONROE-L 800/2000MHZ-1M, LGA, EM64T - NPI (models CTO)	45C1773	N
2	Microprocessor, Pentium Dual-core E2220 CONROE-L 800/2400MHZ-1M, LGA, EM64T - NPI (models CTO)	45C1774	N
2	Microprocessor, Core 2 Duo E4600 M0 CONROE 800/2400MHZ-2M, LGA, EM64T - NPI (models CTO)	45C5282	N
2	Microprocessor, Core 2 Duo E4500 M0 CONROE 800/2200MHZ-2M, LGA, EM64T (models CTO)	43C6305	N
2	Microprocessor, Core 2 Duo E6850 G0 CONROE 1333/3000MHZ-4M, LGA, EM64T (models CTO)	43C1694	N
2	Microprocessor, Core 2 Duo E6750 G0 CONROE 1333/2660MHZ-4M, LGA, EM64T (models CTO)	43C1693	N
2	Microprocessor, Core 2 Duo E6550 G0 CONROE 1333/2330MHZ-4M, LGA, EM64T (models CTO)	43C3833	N
2	Microprocessor, Core 2 Quad G-0 Q6700 KENTSFIELD 1066/2660MHZ-8M (models CTO)	43C6309	N
2	Microprocessor, Core 2 Quad G-0 Q6600 KENTSFIELD 1066/2400MHZ-8M (models CTO 8CG 8DG)	43C1695	N
2	Microprocessor, Core 2 Duo E8500 WOLFDAL E 1333/3160MHZ-6M (models CTO)	45C7735	N
2	Microprocessor, Core 2 Duo E8400 WOLFDAL E 1333/3000MHZ-6M (models CTO)	45C7736	N
2	Microprocessor, Core 2 Duo E8200 WOLFDAL E 1333/2660MHZ-6M (models CTO)	45C7738	N
2	Microprocessor, Core 2 Duo E8190 WOLFDAL E 1333/2660MHZ-6M - NON VT/Vpro (models CTO)	45R2568	N
2	Microprocessor, Core 2 Quad Q9550 C-1 YORKFIELD 2.83GHz 1333MHZ FSB 12M L2 (models CTO)	45C7739	N
2	Microprocessor, Core 2 Quad Q9450 C-1 YORKFIELD 2.66GHz 1333MHZ FSB 12M L2 (models CTO)	45C7740	N
2	Microprocessor, Core 2 Quad Q9300 M-1 YORKFIELD 2.5GHz 1333MHZ FSB 6M L2 (models CTO)	45C7741	N
2	Microprocessor, Core 2 Duo E8300 C-0 WOLFDAL E 2.83GHz 1333MHZ FSB 6M L2 (models CTO)	45C7737	N
2	Microprocessor, Core 2 Duo E7300 M-0 2.66GHz 1066MHz FSB 3M L2 (models CTO)	46R1622	N
2	Microprocessor, Core 2 Duo E7200 M-0 2.53GHz 1066MHz FSB 3M L2 (models CTO)	45R8337	N
2	Microprocessor, Core 2 Duo E4700 G-0 2.6GHz 800MHz FSB 2M L2 (models CTO)	45R5786	N
2	Microprocessor, Celeron Dual Core E1400 M-0 2.0GHz 800MHz FSB 512K L2 (models CTO)	45R8339	N
2	Microprocessor, Celeron Dual Core E1200 M-0 1.6GHz 800MHz FSB 512K L2, LGA, EM64T - NPI (models CTO H1P H1Y H2P H3P H4S H4P H4Y H5S H6S)	45R8341	N
2	Microprocessor, Core 2 Duo E8600 E-0 WOLFDAL E 3.33GHz 1333MHZ FSB 6M L2 (models CTO)	46R8640	N
3	Memory module, 512 MB PC-5300 (667MHz) DDR2 SDRAM (models AJC B1S B1P B1D B1Y AQS AQP AQD AQY B4U B4F APS APD APY ARS ARD ARY B3U B3F B5U B5F B6U B6F B6A B6Q B6T A2V A7A A7Q A7T A8A A8Q A8T BDA BDQ BDT BNA BNQ BNT DAU DAF FDU FDF)	41X4255	2

Item #	9702 FRUs	FRU#	CRU Tier
3	Memory module, 1 GB PC-5300 (667MHz) DDR2 SDRAM (models 7AG 7BG 7BM 7BA 7BQ 7BJ AAP AKP ACU ACF ALS ALY AMU ANS ANY ASS ASD ASY ATS ATP ATD ATY AUS AUD AUJ AVS AVD AVY AWS AWD AWY B2S B2P B2D B2Y 7CG 7DG 7EG B7U B7F B7A B7Q B7T A4U A4F A5U A5F BEA BEQ BET BEK A3S A3D A3Y A9K BBK BCA BCQ BCT BCK BGA BGQ BGT BHA BHQ BHT BJA BJQ BJT BKA BKQ BKT BLM BLA BLQ BLT BLJ BWQ BWA BWT BPM BPA BPQ BPT BPJ BRM BRA BRQ BSM BSA BST BSJ BUM A9A A9Q A9T BAM BBM BBA BBQ BLK BPK BVM AMF 7FG 7HG 7JG D4A D4Q D4T D5M D5A D5J D6M D6A D6T D6J D7M D9U D9F D8M D8A D8Q D8T D8J D2A D2Q D2T D3M D3A D3T D1U D1F D3U D3F 7MG 7PG 7QG 7RG E3A E3T E4A E4T 7SG E9C 7UG 7VG 7WG 71G F1S F1P F1D F1Y F2S F2P F2D F2Y F3S F3P F3D F3Y FBS FBP FBY FCS FCP FCY F9U F9F)	41X4256	2
3	Memory module, 2 GB PC-5300 (667MHz) DDR2 SDRAM (models BMQ BMK E5A E5T E5J E6M E7A E7T E8M E8A E8T E8J E1M E1A E1T E1K E1J 8CG 8EG 8FG)	41X4257	2
3	Memory module, 512 MB PC2-6400 (800MHz) DDR2 SDRAM (models)	41X1079	2
3	Memory module, 1GB PC-6400 (800MHz) DDR2 SDRAM (models H1P H1Y H2P H3P H4S H4P H4Y H5S H6S H7S H7Y)	41X1080	2
3	Memory module, 2GB PC-6400 (800MHz) DDR2 SDRAM (models 8DG)	41X1081	2
4	DVD-ROM Drive - 16x/48x - SATA Vista & non-Vista (models ACU ACF AJC ASS ASD ASY B4U B4F APS APD APY ARS ARD ARY B3U B3F B5U B5F A2V BBK BGA BGQ BGT BHA BHQ BHT BNA BNQ BNT BBM BBA BBQ 7FG DAU DAF E3A E3T E9C FDU FDF H2P H3P)	41N3325	2
4	DVD-ROM Drive - DVD-ROM/CD-RW Combo Drive - 48x/32x/48x/16x - SATA Vista & non-Vista (models 7BG 7BM 7BA 7BQ 7BJ AAP AKP ALS ALY AMU ANS ANY B2S B2P B2D B2Y ATS ATP ATD ATY AWS AWD AWY B6U B6F B6A B6Q B6T A4U A4F BEA BEQ BET BEK A7A A7Q A7T A8A A8Q A8T A9K BCA BCQ BCT BCK BKA BKQ BKT BWQ BWA BWT A9A A9Q A9T AMF D4A D4Q D4T D2A D2Q D2T D3M D3A D3T)	42Y9353	2
4	DVD-ROM Drive - DVD-RW/CD-RW Rambo 8 - SATA Vista & non-Vista (models 7AG AUS AUD AUJ AVS AVD AVY 7CG 7DG 7EG B7U B7F B7A B7Q B7T A5U A5F A3S A3D A3Y BLM BLA BLQ BLT BLJ BPM BPA BPQ BPT BPJ BRM BRA BRQ BSM BSA BST BSJ BUM BPK BMQ BMK BVM 7HG 7JG D5M D5A D5J D6M D6A D6T D6J D7M D9U D9F D8M D8A D8Q D8T D8J D1U D1F 7MG 7PG 7QG 7RG E4A E4T E5A E5T E5J E6M E1M E1A E1T E1K E1J 7SG 7UG 7VG 7WG 71G F1S F1P F1D F1Y F2S F2P F2D F2Y F3S F3P F3D F3Y FBS FBP FBY FCS FCP FCY F9U F9F H4S H4P H4Y H5S H6S H7S H7Y 8CG 8DG 8EG 8FG)	43C1042	2
5	Diskette drive, 3.5" 1.44MB 2 Mode FDD with Bezel and cable (models B2S B2P B2D B2Y)	40Y9107	2
5	Diskette drive, 3.5" 1.44MB 2 Mode FDD with Bezel and cable (models B2S B2P B2D B2Y)	40Y9105	2
10	Hard disk drive, SATA 80GB 7200RPM/3Gb/8MB (models AAP ACU ACF ANS ANY B1S B1P B1D B1Y AQS AQP AQD AQY B4U B4F APS APD APY ARS ARD ARY B3U B3F B5U B5F A7A A7Q A7T BNA BNQ BNT DAU DAF)	40Y9034	2
10	Hard disk drive, SATA 160GB 7200RPM/3Gb/8MB (models 7BG 7BM 7BA 7BQ AKP AJC ALS ALY AMU B2S B2P B2D B2Y ASS ASD ASY ATS ATP ATD ATY AUS AUD AUJ AVS AVD AVY AWS AWD AWY 7DG 7EG B6U B6F B6A B6Q B6T B7U B7F B7A B7Q B7T A4U A4F A5U A5F BEA BEQ BET BEK A2V A3S A3D A3Y A8A A8Q A8T A9K BBK BCA BCQ BCT BCK BDA BDQ BDT BGA BGQ BGT BHA BHQ BHT BJA BJQ BJT BWQ BWA BWT BPM BPA BPQ BPT BPJ BRM BRA BRQ BSM BSA BST BSJ A9A A9Q A9T BAM BBM BBA BBQ BPK AMF 7FG D6M D6A D6T D6J D9U D9F D8M D8A D8Q D8T D8J D2A D2Q D2T D3M D3A D3T D1U D1F D3U D3F 7MG E3A E3T E4A E4T 7SG E9C 7UG F1S F1P F1D F1Y F2S F2P F2D F2Y F3S F3P F3D F3Y FBS FBP FBY FCS FCP FCY FDU FDY F9U F9Y H1P H1Y H2P H3P H4S H4P H4Y H5S H7S H7Y)	40Y9035	2

Item #	9702 FRUs	FRU#	CRU Tier
10	Hard disk drive, SATA 320GB 7200rpm SATA/8MB (models BUM D7M 7PG 7QG 7RG E5T E5J E6M E1M E1A E1T E1K E1J 7VG 7WG 71G 8CG 8DG)	87H4891	2
11	System board , Intel G31 mATX GA Level (models 7AG 7BG 7BM 7BA 7BQ 7BJ AAP AKP ACU ACF AJC ALS ALY AMU ANS ANY B2S B2P B2D B2Y B1S B1P B1D B1Y AQS AQP AQD AQY ASS ASD ASY ATS ATP ATD ATY AUS AUD AUY AVS AVD AVY AWS AWD AWY B4U B4F 7CG 7DG 7EG APS APD APY ARS ARD ARY B3U B3F B5U B5F B6U B6F B6A B6Q B6T B7U B7F B7A B7Q B7T A4U A4F A5U A5F BEA BEQ BET BEK A2V A3S A3D A3Y A7A A7Q A7T A8A A8Q A8T A9K BBK BCA BCQ BCT BCK BDA BDQ BDT BGA BGQ BGT BHA BHQ BHT BJA BJQ BJT BKA BKQ BKT BLM BLA BLQ BLT BLJ BWQ BWA BWT BNA BNQ BNT BPM BPA BPQ BPT BPJ BRM BRA BRQ BSM BSA BST BSJ BUM A9A A9Q A9T BAM BBM BBA BBQ BLK BPK BMQ BMK BVM AMF 7FG 7HG 7JG D4A D4Q D4T D5M D5A D5J D6M D6A D6T D6J D7M D9U D9F D8M D8A D8Q D8T D8J D2A D2Q D2T D3M D3A D3T D1U D1F DAU DAF D3U D3F 7MG 7PG 7QG 7RG E3A E3T E4A E4T E5A E5T E5J E6ME1M E1A E1T E1K E1J 7SG E9C 7UG 7VG 7WG 71G F1S F1P F1D F1Y F2S F2P F2D F2Y F3S F3P F3D F3Y FBS FBP FBY FCS FCP FCY FDU FDF F9U F9F H1P H1Y H2P H3P H4S H4P H4Y H5S H6S H7S H7Y 8CG 8DG 8EG 8FG)	53Y3282	N
12	Fan, System Fan (all models)	41R6272	2
13	Power supply, ATX 280W Power supply; Robust; for all countries except for JP (models 7AG 7BG 7BM 7BA 7BQ AAP AKP ACU ACF AJC ALS ALY AMU ANS ANY B2S B2P B2D B2Y B1S B1P B1D B1Y AQS AQP AQD AQY ASS ASD ASY ATS ATP ATD ATY AUS AUD AUY AVS AVD AVY AWS AWD AWY B4U B4F 7CG 7DG 7EG APS APD APY ARS ARD ARY B3U B3F B5U B5F B6U B6F B6A B6Q B6T B7U B7F B7A B7Q B7T A4U A4F A5U A5F BEA BEQ BET BEK A2V A3S A3D A3Y A7A A7Q A7T A8A A8Q A8T A9K BBK BCA BCQ BCT BCK BDA BDQ BDT BGA BGQ BGT BHA BHQ BHT BJA BJQ BJT BKA BKQ BKT BLM BLA 7FG 7HG 7JG BLQ BLT BWQ BWA BWT BNA BNQ BNT BPM BPA BPQ BPT BRM BRA BRQ BSM BSA BST BUM A9A A9Q A9T BAM BBM BBA BBQ BLK BPK BMQ BMK BVM AMF D4A D4Q D4T D5M D5A D6M D6A D6T D7M D9U D9F D8M D8A D8Q D8T D2A D2Q D2T D3M D3A D3T D1U D1F DAU DAF D3U D3F 7MG 7PG 7QG 7RG E3A E3T E4A E4T E5A E5T E6M E1M E1A E1T E1K 7SG E9C 7UG 7VG 7WG 71G F1S F1P F1D F1Y F2S F2P F2D F2Y F3S F3P F3D F3Y FBS FBP FBY FCS FCP FCY FDU FDF F9U F9F H1P H1Y H2P H3P H4S H4P H4Y H5S H6S H7S H7Y 8CG 8DG 8EG 8FG)	41A9684	2
13	Power supply, ATX 280W 80% power supply;for all countries (models 7BJ 7AG 7BG 7BM 7BA 7BQ AAP AKP ACU ACF AJC ALS ALY AMU ANS ANY B2S B2P B2D B2Y B1S B1P B1D B1Y AQS AQP AQD AQY ASS ASD ASY ATS ATP ATD ATY AUS AUD AUY AVS AVD AVY AWS AWD AWY B4U B4F 7CG 7DG 7EG APS APD APY ARS ARD ARY B3U B3F B5U B5F B6U B6F B6A B6Q B6T B7U B7F B7A B7Q B7T A4U A4F A5U A5F BEA BEQ BET BEK A2V A3S A3D A3Y A7A A7Q A7T A8A A8Q A8T A9K BBK BCA BCQ BCT BCK BDA BDQ BDT BGA BGQ BGT BHA BHQ BHT BJA BJQ BJT BKA BKQ BKT BLM BLA BLQ BLT BLJ BWQ BWA BWT BNA BNQ BNT BPM BPA BPQ BPT BPJ BRM BRA BRQ BSM BSA BST BSJ BUM A9A A9Q A9T BAM BBM BBA BBQ BLK BPK BMQ BMK BVM AMF 7FG 7HG 7JG D4A D4Q D4T D5M D5A D5J D6M D6A D6T D6J D7M D9U D9F D8M D8A D8Q D8T D8J D2A D2Q D2T D3M D3A D3T D1U D1F DAU DAF D3U D3F E3A E3T E4A E4T E5A E5T E5J E6M E1M E1A E1T E1K E1J 7SG E9C 7UG 7VG 7WG 71G F1S F1P F1D F1Y F2S F2P F2D F2Y F3S F3P F3D F3Y FBS FBP FBY FCS FCP FCY FDU FDU F9U F9Y H1P H1Y H2P H3P H4S H4P H4Y H5S H6S H7S H7Y 8CG 8DG 8EG 8FG)	41A9665	2

Item #	9702 FRUs	FRU#	CRU Tier
13	Power supply, ATX 310W Power supply Robust; for all countries (models 7BJ 7AG 7BG 7BM 7BA 7BQ AAP AKP ACU ACF AJC ALS ALY AMU ANS ANY B2S B2P B2D B2Y B1S B1P B1D B1Y AQS AQP AQD AQY ASS ASD ASY ATS ATP ATD ATY AUS AUD AUJ AVS AVD AVY AWS AWD AWY B4U B4F 7CG 7DG 7EG APS APD APY ARS ARD ARY B3U B3F B5U B5F B6U B6F B6A B6Q B6T B7U B7F B7A B7Q B7T A4U A4F A5U A5F BEA BEQ BET BEK A2V A3S A3D A3Y A7A A7Q A7T A8A A8Q A8T A9K BBK BCA BCQ BCT BCK BDA BDQ BDT BGA BGQ BGT BHA BHQ BHT BJA BJQ BJT BKA BKQ BKT BLM BLA BLQ BLT BLJ BWQ BWA BWT BNA BNQ BNT BPM BPA BPQ BPT BPJ BRM BRA BRQ BSM BSA BST BSJ BUM A9A A9Q A9T BAM BBM BBA BBQ BLK BPK BMQ BMK BVM AMF 7FG 7HG 7JG D4A D4Q D4T D5M D5A D5J D6M D6A D6T D6J D7M D9U D9F D8M D8A D8Q D8T D8J D2A D2Q D2T D3M D3A D3T D1U D1F DAU DAF D3U D3F 7MG 7PG 7QG 7RG E3A E3T E4A E4T E5A E5T E5J E6M E1M E1A E1T E1K E1J 7SG E9C 7UG 7VG 7WG 71G F1S F1P F1D F1Y F2S F2P F2D F2Y F3S F3P F3D F3Y FBS FBP FBY FCS FCP FCY FDU FDY F9U F9Y H1P H1Y H2P H3P H4S H4P H4Y H5S H6S H7S H7Y 8CG 8DG 8EG 8FG)	41A9726	2

The FRUs listed in the following tables are not illustrated.

9702 FRUs	FRU#	CRU Tier
Shield, 5.25 EMC (all models)	41N8080	2
Shield, diskette drive EMC (all models)	41N8078	2
Cabel -SATA 457mm (RoHS) (all models)	43N9013	2
Cable, Diskette drive (RoHs) (all models)	41A7182	2
Cover, left side (all models)	41N8050	2
Asm, Speaker, Soldered Terminals (all models)	39P5023	2
Asm, Power Switch/LED (all models)	41N5284	2
Front Audio/USB Asm (all models)	41N8054	2
Retainer, Card Reader (all models)	41R2913	2
Fan, front (all models)	41R4791	2
Asm bezel, without IBM mark (all models)	41R6243	2
Optional HDD Bracket Asm, without 4Pin cable (all models)	41R6106	2
Intrusion Switch asm (all models)	41R6116	2
Cable-SATA 250mm (RoHS) (all models)	43N9012	2
Hard disk drive tray (all models)	41R6291	2
System fan (all models)	41R6269	2
Planer shield, Atx 946, with usb number (all models)	41R6378	N
Temperature Sense cable (460 mm) (all models)	41R2509	2
Asm Chassis Without IBM Mark Atlantic (all models)	41R6408	2
ODD/FDD/Card reader (all models)	43N9351	2
Blank 5.25" Bezel (all models)	41N8077	2
Cable Clip, FW-6D (all models)	43N9462	2
Fru,Tamdhru chassis primary HDD cage (all models)	45K6272	1

9702 FRUs	FRU#	CRU Tier
Fru,Tamdhu ruber foot(For acoustic improvement) (all models)	45K6278	2
Battery 3V- Lithium (models 7AG 7BG 7BM 7BA 7BQ 7BJ AAP AKP ACU ACF AJC ALS ALY AMU ANS ANY B2S B2P B2D B2Y B1S B1P B1D B1Y AQS AQP AQD AQY ASS ASD ASY ATS ATP ATD ATY AUS AUD AUY AVS AVD AVY AWS AWD AWY B4U B4F 7CG 7DG 7EG APS APD APY ARS ARD ARY B3U B3F B5U B5F B6U B6F B6A B6Q B6T B7U B7F B7A B7Q B7T A4U A4F A5U A5F BEA BEQ BET BEK A2V A3S A3D A3Y A7A A7Q A7T A8A A8Q A8T A9K BBK BCA BCQ BCT BCK BDA BDQ BDT BGA BGQ BGT BHA BHQ BHT BJA BJQ BJT BKA BKQ BKT BLM BLA BLQ BLT BLJ BWQ BWA BWT BNA BNQ BNT BPM BPA BPQ BPT BPJ BRM BRA BRQ BSM BSA BST BSJ BUM A9A A9Q A9T BAM BBM BBA BBQ BLK BPK BMQ BMK BVM AMF 7FG 7HG 7JG D4A D4Q D4T D5M D5A D5J D6M D6A D6T D6J D7M D9U D9F D8M D8A D8Q D8T D8J D2A D2Q D2T D3M D3A D3T D1U D1F DAU DAF D3U D3F 7MG 7PG 7QG 7RG E3A E3T E4A E4T E5A E5T E5J E6M E1M E1A E1T E1K E1J 7SG E9C 7UG 7VG 7WG 71G F1S F1P F1D F1Y F2S F2P F2D F2Y F3S F3P F3D F3Y FBS FBP FBY FCS FCP FCY FDU FDF F9U F9F H1P H1Y H2P H3P H4S H4P H4Y H5S H6S H7S H7Y 8CG 8DG 8EG 8FG)	45C1566	1

9702 Keyboard (Lenovo USB Preferred -- without hub)	FRU#	CRU Tier
US English (models)	41A5039	1
Arabic (models)	41A5040	1
Arabic/French (models)	41A5041	1
Belgian/French (models)	41A5042	1
Belgian/English (models)	41A5043	1
Brazilian Portuguese (models)	41A5044	1
Bulgarian (models)	41A5045	1
Chinese/US (models)	41A5046	1
Czech (models)	41A5047	1
Danish (models)	41A5048	1
Dutch (models)	41A5049	1
French (models)	41A5050	1
French Canadian (models)	41A5051	1
French Canadian (models)	41A5052	1
German (models)	41A5053	1
Greek (models)	41A5054	1
Greek/US (models)	41A5080	1
Hebrew (models)	41A5055	1
Hungarian (models)	41A5056	1
Iceland (models)	41A5057	1
Italian (models)	41A5058	1
Japanese (models)	41A5059	1
Korean (models)	41A5060	1
LA Spanish (models)	41A5061	1
Norwegian (models)	41A5062	1
Polish (models)	41A5063	1

9702 Keyboard (Lenovo USB Preferred -- without hub)	FRU#	CRU Tier
Portuguese (models)	41A5064	1
Romanian (models)	41A5065	1
Russian/Cyrillic (models)	41A5066	1
Serbian/Cyrillic (models)	41A5067	1
Slovak (models)	41A5068	1
Spanish (models)	41A5069	1
Swedish/Finnish (models)	41A5070	1
Swiss (models)	41A5071	1
Thailand (models)	41A5072	1
Turkish (models)	41A5073	1
Turkish (models)	41A5074	1
UK English (models)	41A5075	1
US Euro (models)	41A5076	1
Slovenian (models)	41A5077	1

9702 Keyboard (Lenovo USB Preferred -- without hub)	FRU#	CRU Tier
US English (models ACU 7AG 7BG 7BM 7BA 7BQ AMU B4U 7CG 7DG 7EG B3U B5U B6U B6A B6Q B7U B7A B7Q A4U A5U BEA BEQ A7A A7Q BLM BLA BLQ BGA BGQA8A A8Q BCA BCQ BDA BDQ BGA BGQ BHA BHQ BJA BJQ BKA BKQ BLM BLA BLQ BKA BKQ BWQ BNA BNQ BPM BPA BPQ BRM BRA BRQ BSM BSA BUM A9A A9Q AM BBM BBA BBQ BMQ BVM 7FG 7HG 7JG D4A D4Q D5M D5A D6M D6A D7M D9U D8M D8A D8Q D2A D2Q D3M D3A D1U DAU D3U 7MG 7PG 7QG 7RG E3A E4A E5A E6M E1M E1A 7SG 7UG 7VG 7WG 71G FDU F9U 8CG 8DG 8EG 8FG)	41A5289	1
Arabic (models 7AG 7BG 7CG 7DG 7EG 7FG 7HG 7JG 7MG 7PG 7QG 7RG 7SG 7UG 7VG 7WG 71G 8CG 8DG 8EG 8FG)	41A5290	1
Arabic/French (models)	41A5291	1
Belgian/French (models 7AG 7BG 7CG 7DG 7EG 7FG 7HG 7JG 7MG 7PG 7QG 7RG 7SG 7UG 7VG 7WG 71G 8CG 8DG 8EG 8FG)	41A5292	1
Belgian/UK (models 7AG 7BG 7CG 7DG 7EG 7FG 7HG 7JG 7MG 7PG 7QG 7RG 7SG 7UG 7VG 7WG 71G 8CG 8DG 8EG 8FG)	41A5293	1
Brazilian Portuguese (models AAP AKP B2P B1P AQP ATP F1P F2P F3P FBP FCP H1P H2P H3P H4P)	41A5294	1
Bulgarian (models 7AG 7BG 7CG 7DG 7EG 7FG 7HG 7JG 7MG 7PG 7QG 7RG 7SG 7UG 7VG 7WG 71G 8CG 8DG 8EG 8FG)	41A5295	1
Chinese/US (models A2V)	41A5296	1
Czech (models 7AG 7BG 7CG 7DG 7EG 7FG 7HG 7JG 7MG 7PG 7QG 7RG 7SG 7UG 7VG 7WG 71G 8CG 8DG 8EG 8FG)	41A5297	1
Danish (models 7AG 7BG 7CG 7DG 7EG 7FG 7HG 7JG 7MG 7PG 7QG 7RG 7SG 7UG 7VG 7WG 71G 8CG 8DG 8EG 8FG)	41A5298	1
Dutch (models 7AG 7BG 7CG 7DG 7EG 7FG 7HG 7JG 7MG 7PG 7QG 7RG 7SG 7UG 7VG 7WG 71G 8CG 8DG 8EG 8FG)	41A5299	1
French (models 7AG 7BG 7CG 7DG 7EG 7FG 7HG 7JG 7MG 7PG 7QG 7RG 7SG 7UG 7VG 7WG 71G 8CG 8DG 8EG 8FG)	41A5300	1

9702 Keyboard (Lenovo USB Preferred -- without hub)	FRU#	CRU Tier
French Canadian (models FDF F9F)	41A5301	1
French Canadian (models FDF F9F)	41A5302	1
German (models 7AG 7BG 7CG 7DG 7EG 7FG 7HG 7JG 7MG 7PG 7QG 7RG 7SG 7UG 7VG 7WG 71G 8CG 8DG 8EG 8FG)	41A5303	1
Greek (models 7AG 7BG 7CG 7DG 7EG 7FG 7HG 7JG 7MG 7PG 7QG 7RG 7SG 7UG 7VG 7WG 71G 8CG 8DG 8EG 8FG)	41A5304	1
Greek/US (models 7AG 7BG 7CG 7DG 7EG 7FG 7HG 7JG 7MG 7PG 7QG 7RG 7SG 7UG 7VG 7WG 71G 8CG 8DG 8EG 8FG)	41A5305	1
Hebrew (models 7AG 7BG 7CG 7DG 7EG 7FG 7HG 7JG 7MG 7PG 7QG 7RG 7SG 7UG 7VG 7WG 71G 8CG 8DG 8EG 8FG)	41A5306	1
Hungarian (models 7AG 7BG 7CG 7DG 7EG 7FG 7HG 7JG 7MG 7PG 7QG 7RG 7SG 7UG 7VG 7WG 71G 8CG 8DG 8EG 8FG)	41A5307	1
Iceland (models 7AG 7BG 7CG 7DG 7EG 7FG 7HG 7JG 7MG 7PG 7QG 7RG 7SG 7UG 7VG 7WG 71G 8CG 8DG 8EG 8FG)	41A5308	1
Italian (models 7AG 7BG 7CG 7DG 7EG 7FG 7HG 7JG 7MG 7PG 7QG 7RG 7SG 7UG 7VG 7WG 71G 8CG 8DG 8EG 8FG)	41A5309	1
Japanese (models 7BJ BLJ BPJ BSJ D5J D6J D8J E5J E1J)	41A5310	1
Korean (models BEK A9K BBK BCK BLK BPK BMK E1K)	41A5311	1
LA Spanish (models ALS ALY ANS ANY B2S B2D B2Y B1S B1D B1Y AQS AQD AQY ASS ASD ASY ATS ATD ATY AUS AUD AUJ AVS AVD AVY AWS AWD AWY APS APD APY ARS ARD ARY A3S A3D A3Y F1S F1D F1Y F2S F2D F2Y F3S F3D F3Y FBS FBY FCS FCY H1Y H4S H4Y H5S H6S H7S H7Y)	41A5312	1
Norwegian (models 7AG 7BG 7CG 7DG 7EG 7FG 7HG 7JG 7MG 7PG 7QG 7RG 7SG 7UG 7VG 7WG 71G 8CG 8DG 8EG 8FG)	41A5313	1
Polish (models 7AG 7BG 7CG 7DG 7EG 7FG 7HG 7JG 7MG 7PG 7QG 7RG 7SG 7UG 7VG 7WG 71G 8CG 8DG 8EG 8FG)	41A5314	1
Portuguese (models 7AG 7BG 7CG 7DG 7EG 7FG 7HG 7JG 7MG 7PG 7QG 7RG 7SG 7UG 7VG 7WG 71G 8CG 8DG 8EG 8FG)	41A5315	1
Romanian (models 7AG 7BG 7CG 7DG 7EG 7FG 7HG 7JG 7MG 7PG 7QG 7RG 7SG 7UG 7VG 7WG 71G 8CG 8DG 8EG 8FG)	41A5317	1
Russian/Cyrillic (models 7AG 7BG 7CG 7DG 7EG 7FG 7HG 7JG 7MG 7PG 7QG 7RG 7SG 7UG 7VG 7WG 71G 8CG 8DG 8EG 8FG)	41A5318	1
Serbian/Cyrillic (models 7AG 7BG 7CG 7DG 7EG 7FG 7HG 7JG 7MG 7PG 7QG 7RG 7SG 7UG 7VG 7WG 71G 8CG 8DG 8EG 8FG)	41A5319	1
Slovak (models 7AG 7BG 7CG 7DG 7EG 7FG 7HG 7JG 7MG 7PG 7QG 7RG 7SG 7UG 7VG 7WG 71G 8CG 8DG 8EG 8FG)	41A5320	1
Spanish (models 7AG 7BG 7CG 7DG 7EG 7FG 7HG 7JG 7MG 7PG 7QG 7RG 7SG 7UG 7VG 7WG 71G 8CG 8DG 8EG 8FG)	41A5321	1
Swedish/Finnish (models 7AG 7BG 7CG 7DG 7EG 7FG 7HG 7JG 7MG 7PG 7QG 7RG 7SG 7UG 7VG 7WG 71G 8CG 8DG 8EG 8FG)	41A5322	1
Swiss (models 7AG 7BG 7CG 7DG 7EG 7FG 7HG 7JG 7MG 7PG 7QG 7RG 7SG 7UG 7VG 7WG 71G 8CG 8DG 8EG 8FG)	41A5323	1
Thailand (models B6T B7T BET AQT A7T A8T BCT BDT BGT BHT BJT BKT BLT BKT BWT BNT BPT BST A9T D4T D6T D8T D2T D3T E3T E4T E5T E7T E8T E1T 8CG 8DG 8EG 8FG)	41A5324	1
Turkish (models 7AG 7BG 7CG 7DG 7EG 7FG 7HG 7JG 7MG 7PG 7QG 7RG 7SG 7UG 7VG 7WG 71G 8CG 8DG 8EG 8FG)	41A5325	1

9702 Keyboard (Lenovo USB Preferred -- without hub)	FRU#	CRU Tier
Turkish (models 7AG 7BG 7CG 7DG 7EG 7FG 7HG 7JG 7MG 7PG 7QG 7RG 7SG 7UG 7VG 7WG 71G 8CG 8DG 8EG 8FG)	41A5326	1
UK English (models 7AG 7BG 7CG 7DG 7EG 7FG 7HG 7JG 7MG 7PG 7QG 7RG 7SG 7UG 7VG 7WG 71G 8CG 8DG 8EG 8FG)	41A5327	1
US Euro (models)	41A5328	1
Slovenian (models 7AG 7BG 7CG 7DG 7EG 7FG 7HG 7JG 7MG 7PG 7QG 7RG 7SG 7UG 7VG 7WG 71G 8CG 8DG 8EG 8FG)	41A5329	1

9702 Keyboard (Lenovo Enhanced Perf, USB Preferred -- with hub)	FRU#	CRU Tier
US English (models)	41A4961	1
Arabic (models)	41A4962	1
Arabic/French (models)	41A4963	1
Belgian French (models)	41A4964	1
Belgium English (models)	41A4965	1
Brazilian Portuguese (models)	41A4966	1
Bulgarian (models)	41A4967	1
Chinese/US (models)	41A4968	1
Czech (ABB) (models)	41A4969	1
Danish (models)	41A4970	1
Dutch (models)	41A4971	1
French (models)	41A4972	1
French Canadian (models)	41A4973	1
French Canadian (models)	41A4974	1
German (models)	41A4975	1
Greek (models)	41A4976	1
Greek/US (models)	41A5078	1
Hebrew (models)	41A4977	1
Hungarian (models)	41A4978	1
Iceland (models)	41A4979	1
Italian (models)	41A4980	1
Japanese (models)	41A4981	1
Korean (models)	41A4982	1
LA Spanish (models)	41A4983	1
Norwegian (models)	41A4984	1
Polish (models)	41A4985	1
Portuguese (models)	41A4986	1
Romanian (models)	41A4987	1
Russian/Cyrilic (models)	41A4988	1
Serbian/Cyrilic (models)	41A4989	1

9702 Keyboard (Lenovo Enhanced Perf, USB Preferred -- with hub)	FRU#	CRU Tier
Slovak (models)	41A4990	1
Spanish (models)	41A4991	1
Swedish/Finnish (models)	41A4992	1
Swiss French/German (models)	41A4993	1
Thailand (models)	41A4994	1
Turkish (models)	41A4995	1
Turkish (models)	41A4996	1
UK English (models)	41A4997	1
US Euro (models)	41A4998	1
Slovenian (models)	41A4999	1

9702 Keyboard (Lenovo Fingerprint Reader USB)	FRU#	CRU Tier
US English (models)	41A5248	1
Arabic (models)	41A5249	1
Arabic/French (models)	41A5250	1
Belgian French (models)	41A5251	1
Belgium English (models)	41A5252	1
Brazilian Portuguese (models)	41A5253	1
Bulgarian (models)	41A5254	1
Chinese/US (models)	41A5255	1
Czech (ABB) (models)	41A5256	1
Danish (models)	41A5257	1
Dutch (models)	41A5258	1
French (models)	41A5259	1
French Canadian (models)	41A5260	1
French Canadian (models)	41A5261	1
German (models)	41A5262	1
Greek (models)	41A5263	1
Greek/US (models)	41A5264	1
Hebrew (models)	41A5265	1
Hungarian (models)	41A5266	1
Iceland (models)	41A5267	1
Italian (models)	41A5268	1
Japanese (models)	41A5269	1
Korean (models)	41A5270	1
LA Spanish (models)	41A5271	1
Norwegian (models)	41A5272	1
Polish (models)	41A5273	1

9702 Keyboard (Lenovo Fingerprint Reader USB)	FRU#	CRU Tier
Portuguese (models)	41A5274	1
Romanian (models)	41A5276	1
Russian/Cyrilic (models)	41A5277	1
Serbian/Cyrilic (models)	41A5278	1
Slovak (models)	41A5279	1
Spanish (models)	41A5280	1
Swedish/Finnish (models)	41A5281	1
Swiss French/German (models)	41A5282	1
Thailand (models)	41A5283	1
Turkish (models)	41A5284	1
Turkish (models)	41A5285	1
UK English (models)	41A5286	1
US Euro (models)	41A5287	1
Slovenian (models)	41A5288	1

9702 mice	FRU#	CRU Tier
Optical Wheel Mouse (400DPI, USB) (all models)	41U3013	1
Optical Wheel Mouse (400DPI, USB) (all models)	41U3030	1
PS/2 Three Button ball mouse (41R0017) (models)	41R0018	1

9702 Adapters and miscellaneous FRUs	FRU#	CRU
Internal USB Memory Card Reader floppy bay (models 7AG)	41R3378	2
Internal USB 20 in 1 Memory CardReader floppy bay (models)	45R8139	2
USB Memory Key (models)	43R2296	2
Soft Modem V.90/V.44 ATX (models CTO)	46R4220	2
ATI HD 2600XT 512MB 128BIT ATX (models B6U B6F B6A B6Q B6T BTM BUM)	43C0261	2
IEEE 1394 Firewire Adapter SFF (models)	41D2781	2
Internal USB Memory Card Reader Slim (models)	43C9207	1
USB Memory Key - 1G RoW (models 7BG 7BM 7BA 7BQ 7BJ)	41U4978	1
ADD2 DVI Adapter,FH (HDCP) (models 7MG 7PG 7QG 7RG E6M E7A E7T E1M E1A E1T E1K E1J)	43C0258	2
ATI HD 2400PRO 128MB 64BIT DMS59 LP (models)	46R4159	2
ATI HD 2400XT 256MB 64BIT DMS59 ATX (models BUM BVM)	46R4160	2
DVI-I connection Adapter Full Height(models 7HG 7JG 7VG 7WG 71G 8CG 8DG 8EG 8FG)	39J9334	2
DVI-I connection Adapter Low Profile (models)	39J9334	2
Speaker Power brick - US, Canada, LA low voltage, ASEAN (models ACU 7BS AMU ALS ANS B4U B2S B1S AQS ASS ATS AUS AVS APS APY ARS ARY B3U B5U B6U B7U A4U A5U A3S A3Y D4A D5A D6A D9U D8A D2A D3A D1U DAU D3U E3A E4A E5A E1A F1S F2S F3S FBS FCS FDU F9U H4S H5S H6S H7S)	89P8571	1

9702 Adapters and miscellaneous FRUs	FRU#	CRU
Speaker Power brick - LA high voltage (non-APU) (models B2D B1D AQD ASD ATD AUD AVD APD ARD A3D F1D F2D F3D)	89P8575	1
Speaker Power brick - China, Thailand (models AJC B6T B7T BET A8T BCT BDT BGT BHT BJT BKT BLT BWT BNT BPT BST D4T D6T D8T D2T D3T E3T E4T E5T E1T E9C)	89P8581	1
Speaker Power brick - Japan (models 7BJ BLJ BPJ BSJ D5J D6J D8J E5J E8J E1J)	89P8577	1
Speaker Power brick - Brazil (models B2P B1P AQP ATP FBP FCP H1P H2P H3P H4P)	89P8583	1
Speaker Power brick - Argentina (models B2Y B1Y AQY ASY ATY AUY AVY F1D F2D F3D FBY FCY H1Y H4Y H7Y)	41A4901	1
Speaker Power brick - ANZ (modes 7BM BLM BPM BRM BSM BUM BAM BBM BVM D5M D6M D7M D8M D3M E6M E1M)	89P8579	1
Speaker Brick - Korea (models BEK A9K BBK BCK BLK BPK BMK E1K)	41A4903	1
Speaker Brick - Hong Kong, EMEA (models 7CG 7DG 7EG 7MG 7PG 7QG 7RG 7SG 7UG 7VG 7WG 71G 8CG 8DG 8EG 8FG)	89P8573	1
Speaker Brick - Taiwan (models A2V)	41A4905	1
Speaker Power brick - India, South Africa (models 7BQ B6Q B7Q BEQ A8Q BCQ BDQ BGQ BHQ BJQ BKQ BLQ BWQ BNQ BPQ BRQ A9Q BAQ BBQ BMQ)	89P8585	1
Dongle DMS Dule DMS-59 to dual VGA Cable (models)	42Y8181	2
Dongle DMS Dule DMS-59 to dual DVI Cable (models)	41X6398	2

9702 Line Cords	FRU#	CRU
Line cord - US (models ACU ACF 7BA AMU ALS ANS B4U B4F B2S B1S AQS ASS ATS AUS AVS B2D B1D AQD ASD ATD AUD AVD APS APD B3U B3F B5U B5F B6U B6F B6A B6T B7U B7F B7T A4U A4F A5U A5F BET A3S A3D A7A A8A BDA BGA BHA BJA A9A BBA AMF D4A D5A D6A D4T D6T D8T D2T D3T D1U DAU D1F DAF D3U D3F E4A E5A E1A E3T E4T E5T E1T F1S F2S F3S F1D F2D F3D FBS FCS H4S H5S H6S H7S FDU FDF F9U F9F)	41R3184	1
Line cord - US (models ACU ACF 7BA AMU ALS ANS B4U B4F B2S B1S AQS ASS ATS AUS AVS B2D B1D AQD ASD ATD AUD AVD APS APD B3U B3F B5U B5F B6U B6F B6A B6T B7U B7F B7T A4U A4F A5U A5F BET A3S A3D A7A A8A BDA BGA BHA BJA A9A BBA AMF D4A D5A D6A D4T D6T D8T D2T D3T D1U DAU D1F DAF D3U D3F E4A E5A E1A E3T E4T E5T E1T F1S F2S F3S F1D F2D F3D FBS FCS H4S H5S H6S H7S FDU FDF F9U F9F)	41R3185	1
Line cord - China (models AJC E9C)	41R3256	1
Line cord - China (models AJC E9C)	41R3257	1
Line cord - Brazil (models AAP AKP B2P B1P AQP ATP FBP FCP H2P H3P)	41R3270	1
Line cord - Brazil (models AAP AKP B2P B1P AQP ATP FBP FCP H2P H3P)	41R3271	1
Line cord - LA High Volt APU (models ALS ALY ANS ANY B2S B1S AQS ASS ATS AUS AVS B2Y B1Y AQY ASY ATY AUY AVY ARS ARY A3S A3Y F1S F2S F3S F1Y F2Y F3Y FBS FCS H4S H5S H6S H7S FBY FCY H1Y H4Y H7Y)	41R3176	1
Line Cord - LA High Volt APU (models ALS ALY ANS ANY B2S B1S AQS ASS ATS AUS AVS B2Y B1Y AQY ASY ATY AUY AVY ARS ARY A3S A3Y F1S F2S F3S F1Y F2Y F3Y FBS FCS H4S H5S H6S H7S FBY FCY H1Y H4Y H7Y)	41R3177	1
Line Cord - Korea (models BEK A9K BBK BCK BLK BPK)	41R3260	1
Line Cord - Korea (models BEK A9K BBK BCK BLK BPK)	41R3261	1
Line Cord - UK, Ireland, Singapore, Malaysia, Brunei (models 7AG 7BG 7BA 7CG 7DG 7EG B6A BEA A7A A8A BDA BGA BHA BJA BLA BWA BNA BPA BRA BSA A9A BBA D4A D5A D6A 7MG 7PG 7QG 7RG E4A E5A E1A 7SG 7UG 7VG 7WG 71G 8CG 8DG 8EG 8FG)	41R3224	1

9702 Line Cords	FRU#	CRU
Line Cord - UK, Ireland, Singapore, Malaysia, Brunei (models 7AG 7BG 7BA 7CG 7DG 7EG B6A BEA A7A A8A BDA BGA BHA BJA BLA BWA BNA BPA BRA BSA A9A BBA D4A D5A D6A 7MG 7PG 7QG 7RG E4A E5A E1A 7SG 7UG 7VG 7WG 71G 8CG 8DG 8EG 8FG)	41R3225	1
Line Cord - Taiwan (models A2V)	41R3278	1
Line Cord - Taiwan (models A2V)	41R3279	1
Line Cord - Italy (models 7AG 7BG 7BA 7CG 7DG 7EG 7FG 7HG 7JG 7MG 7PG 7QG 7RG 7UG 7VG 7WG 71G F1Y F2Y F3Y 8CG 8DG 8EG 8FG)	41R3232	1
Line Cord - Italy (models 7AG 7BG 7BA 7CG 7DG 7EG 7FG 7HG 7JG 7MG 7PG 7QG 7RG 7UG 7VG 7WG 71G F1Y F2Y F3Y 8CG 8DG 8EG 8FG)	41R3233	1
Line Cord - Indonesia, Laos, Cambodia, and Vietnam (models 7AG 7BG 7BA 7CG 7DG 7EG 7FG 7HG 7JG 7MG 7PG 7QG 7RG 7UG 7VG 7WG 71G 8CG 8DG 8EG 8FG)	41R3208	1
Line Cord - Indonesia, Laos, Cambodia, and Vietnam (models 7AG 7BG 7BA 7CG 7DG 7EG 7FG 7HG 7JG 7MG 7PG 7QG 7RG 7UG 7VG 7WG 71G 8CG 8DG 8EG 8FG)	41R3209	1
Line Cord - Denmark (models 7AG 7BG 7BA 7CG 7DG 7EG 7FG 7HG 7JG 7MG 7PG 7QG 7RG 7UG 7VG 7WG 71G 8CG 8DG 8EG 8FG)	41R3212	1
Line Cord - Denmark (models 7AG 7BG 7BA 7CG 7DG 7EG 7FG 7HG 7JG 7MG 7PG 7QG 7RG 7UG 7VG 7WG 71G 8CG 8DG 8EG 8FG)	41R3213	1
Line Cord - Switzerland (models 7AG 7BG 7BA 7CG 7DG 7EG 7FG 7HG 7JG 7MG 7PG 7QG 7RG 7UG 7VG 7WG 71G 8CG 8DG 8EG 8FG)	41R3228	1
Line Cord - Switzerland (models 7AG 7BG 7BA 7CG 7DG 7EG 7FG 7HG 7JG 7MG 7PG 7QG 7RG 7UG 7VG 7WG 71G 8CG 8DG 8EG 8FG)	41R3229	1
Line Cord - Israel (models 7AG 7BG 7BA 7CG 7DG 7EG 7FG 7HG 7JG 7MG 7PG 7QG 7RG 7UG 7VG 7WG 71G 8CG 8DG 8EG 8FG)	41R3236	1
Line Cord - Israel (models 7AG 7BG 7BA 7CG 7DG 7EG 7FG 7HG 7JG 7MG 7PG 7QG 7RG 7UG 7VG 7WG 71G 8CG 8DG 8EG 8FG)	41R3237	1
Line Cord - South Africa (models 7AG 7BG 7BA 7CG 7DG 7EG B6A BEA A7A A8A BDA BGA BHA BJA BLA BWA BNA BPA BRA BSA A9A BBA 7FG 7HG 7JG D4A D5A D6A 7MG 7PG 7QG 7RG E6M E1M E4A E5A E1A 7SG 7UG 7VG 7WG 71G 8CG 8DG 8EG 8FG)	41R3220	1
Line Cord - South Africa (models 7AG 7BG 7BA 7CG 7DG 7EG B6A BEA A7A A8A BDA BGA BHA BJA BLA BWA BNA BPA BRA BSA A9A BBA 7FG 7HG 7JG D4A D5A D6A 7MG 7PG 7QG 7RG E6M E1M E4A E5A E1A 7SG 7UG 7VG 7WG 71G)	41R3221	1
Line Cord - India (models 7BQ B6Q B7Q BEQ A7Q A8Q BCQ BDQ BGQ BHQ BKQ BLQ BWQ BNQ BPQ BRQ A9Q BBQ BMQ D4Q D8Q D2Q)	41R3341	1
Line Cord - India (models 7BQ B6Q B7Q BEQ A7Q A8Q BCQ BDQ BGQ BHQ BKQ BLQ BWQ BNQ BPQ BRQ A9Q BBQ BMQ D4Q D8Q D2Q)	41R3175	1
Line Cord - Japan (models D5J D6J D8J E5J E1J)	41R3248	1
Line Cord - Japan (models D5J D6J D8J E5J E1J)	41R3249	1
Line Cord - ANZ (models BAM BLM BPM BRM BSM BUM BVM D5M D6M D7M D8M D3M E6M E1M)	41R3196	1
Line Cord - ANZ (models BAM BLM BPM BRM BSM BUM BVM D5M D6M D7M D8M D3M E6M E1M)	41R3197	1
Line Cord - Hong Kong (models)	41R3224	1
Line Cord - Hong Kong (models)	41R3225	1

9702 Windows XP Home Recovery CDs	FRU#	CRU
US/UK/AP/TH (models)	TBD	1
FR/CF (models)	TBD	1
GR (models)	TBD	1
IT (models)	TBD	1
BR (models)	TBD	1
SP/LA (models)	TBD	1
DK (models)	TBD	1
NL (models)	TBD	1
AE (models)	TBD	1
SV (models)	TBD	1
HE (models)	TBD	1
FI (models)	TBD	1
NO (models)	TBD	1
PL (models)	TBD	1
PO (models)	TBD	1
RU (models)	TBD	1
RE (models)	TBD	1
HU (models)	TBD	1
CZ (models)	TBD	1
TR (models)	TBD	1
GK (models)	TBD	1
Japanese (models)	TBD	1
Simplified Chinese (models)	TBD	1
Taiwan-TC (models)	TBD	1
Hong Kong-TC (models)	TBD	1
Korean (models)	TBD	1

9702 Windows XP Pro Recovery CDs	FRU#	CRU
US/UK/AP/TH (models 7DG 7EG B3U B5U B6U B6A B6Q B7U B7A B7Q A4U A5U BEA BEQ 7FG 7HG 7JG 7UG 7VG 7WG 71G)	45R0756	1
FR/CF (models 7DG 7EG B3F B5F B6F B7F A4F A5F 7FG 7HG 7JG 7UG 7VG 7WG 71G)	45R0759	1
GR (models 7DG 7EG 7FG 7HG 7JG 7UG 7VG 7WG 71G)	45R0760	1
IT (models 7DG 7EG 7FG 7HG 7JG 7UG 7VG 7WG 71G)	45R0762	1
BR (models F1P F2P 3P)	45R0763	1
SP/LA (models 7DG 7EG APS APD APY ARS ARD ARY 7FG 7HG 7JG 7UG 7VG 7WG 71G F1S F1D F1Y F2S F2D F2Y F3S F3D F3Y)	45R0761	1
DK (models 7DG 7EG 7FG 7HG 7JG 7UG 7VG 7WG 71G)	45R0764	1
NL (models 7DG 7EG 7FG 7HG 7JG 7UG 7VG 7WG 71G)	45R0767	1
AE (models)	45R2342	1
SV (models 7DG 7EG 7FG 7HG 7JG 7UG 7VG 7WG 71G)	45R0765	1

9702 Windows XP Pro Recovery CDs	FRU#	CRU
HE (models 7DG 7EG 7FG 7HG 7JG 7UG 7VG 7WG 71G)	45R2334	1
FI (models 7DG 7EG 7FG 7HG 7JG 7UG 7VG 7WG 71G)	45R0766	1
NO (models 7DG 7EG 7FG 7HG 7JG 7UG 7VG 7WG 71G)	45R0770	1
PL (models 7DG 7EG 7FG 7HG 7JG 7UG 7VG 7WG 71G)	45R0777	1
PO (models 7DG 7EG 7FG 7HG 7JG 7UG 7VG 7WG 71G)	45R0774	1
RU (models 7DG 7EG 7FG 7HG 7JG 7UG 7VG 7WG 71G)	45R0773	1
RE (models)	45R2318	1
HU (models 7DG 7EG 7FG 7HG 7JG 7UG 7VG 7WG 71G)	45R0780	1
CZ (models 7DG 7EG 7FG 7HG 7JG 7UG 7VG 7WG 71G)	45R0776	1
TR (models 7DG 7EG 7FG 7HG 7JG 7UG 7VG 7WG 71G)	45R0775	1
GK (models 7DG 7EG 7FG 7HG 7JG 7UG 7VG 7WG 71G)	45R0772	1
SL (models 7DG 7EG 7FG 7HG 7JG 7UG 7VG 7WG 71G)	45R2326	1
Japanese (models)	45R0757	1
Simplified Chinese (models)	45R0758	1
Taiwan-TC (models)	45R0768	1
Hong Kong-TC (models)	45R0769	1
Korean (models BEK)	45R0771	1
Multilingual 1 – EN, NL, FR, GR, IT (models 7DG 7EG 7FG 7HG 7JG 7UG 7VG 7WG 71G)	45R8246	1
Multilingual 2 – EN, DK, FI, NO, SV (models 7DG 7EG 7FG 7HG 7JG 7UG 7VG 7WG 71G)	45R8247	1

9702 Vista Home Basic 32 SP1 Recovery DVDs	FRU#	CRU
English (models E1A)	46R7273	1
Japanese (models E1J)	46R7274	1
Simplified Chinese (models)	46R7275	1
French (models B4F)	46R7276	1
German (models)	46R7277	1
Spanish (models H6S)	46R7278	1
Italian (models)	46R7279	1
Brazilian Portuguese (models)	46R7280	1
Danish (models)	46R7281	1
Swedish (models)	45R9758	1
Finland (models)	45R9759	1
Dutch (models)	45R9760	1
Traditional Chinese (models)	46R7282	1
Hong Kong (models)	46R7283	1
Norwegian (models)	46R7284	1
Korean (models A9K BBK E1K)	45R9764	1
Slovenian (models)	45R9765	1
Greek (models)	45R9766	1

9702 Vista Home Basic 32 SP1 Recovery DVDs	FRU#	CRU
Russian (models)	46R7285	1
Portuguese (models)	45R9768	1
Turkish (models)	45R9769	1
Czech (models)	45R9770	1
Polish (models)	45R9771	1
Russian English (models)	46R7286	1
Arabic Localized (models)	45R9773	1
Hebrew (models)	45R9774	1
Hungarian (models)	45R9775	1
Slovakian (models)	45R9776	1

9702 Vista Business 32 SP1 Recovery DVDs	FRU#	CRU
English (models 7AG 7BG 7BM 7BA 7BQ AMU 7CG 7DG 7EG B3U B5U B6U B6A B6Q B7U B7A B7Q A4U A5U BEA BEQ A7A A7Q A8A A8Q BCA BCQ BDA BDQ BHA BHQ BJA BJQ BKA BKQ BLM BLA BLQ BWQ BWA BNA BNQ BPM BPA BPQ BRM BRA BRQ BSM BSA BMQ D4A D4Q D5M D5A D7M D9U D8M D8A D8Q D1U DAU D3U 7MG 7PG 7QG 7RG E5A E6M 7SG FDU F9U 8CG 8DG 8EG 8FG)	46R7287	1
Japanese (models 7BJ BLJ BPJ BSJ D5J D6J D8J E5J)	46R7288	1
Simplified Chinese (models)	46R7289	1
French (models D3F FDF F9F)	46R7290	1
German (models 7AG 7BG 7CG 7DG 7EG 7MG 7PG 7QG 7RG 7SG 8CG 8DG 8EG 8FG)	46R7291	1
Spanish (models 7AG 7BG 7CG 7DG 7EG 7MG 7PG 7QG 7RG 7SG FBS FBY FCS FCY H1Y H4S H7S H7Y 8CG 8DG 8EG 8FG)	46R7292	1
Italian (models 7AG 7BG 7CG 7DG 7EG 7MG 7PG 7QG 7RG 7SG 8CG 8DG 8EG 8FG)	46R7293	1
Brazilian Portuguese (models AKP AAP AAP AKP B2P AQP ATP FBP FCP H1P H2P H3P)	46R7294	1
Danish (models 7AG 7BG 7CG 7DG 7EG 7MG 7PG 7QG 7RG 7SG 8CG 8DG 8EG 8FG)	46R7295	1
Swedish (models 7AG 7BG 7CG 7DG 7EG 7MG 7PG 7QG 7RG 7SG 8CG 8DG 8EG 8FG)	45R9786	1
Finland (models 7AG 7BG 7CG 7DG 7EG 7MG 7PG 7QG 7RG 7SG 8CG 8DG 8EG 8FG)	45R9787	1
Dutch (models 7AG 7BG 7CG 7DG 7EG 7MG 7PG 7QG 7RG 7SG 8CG 8DG 8EG 8FG)	45R9788	1
Traditional Chinese (models A2V)	46R7296	1
Hong Kong (models)	46R7297	1
Norwegian (models 7AG 7BG 7CG 7DG 7EG 7MG 7PG 7QG 7RG 7SG 8CG 8DG 8EG 8FG)	46R7298	1
Korean (models BEK BCK BLK BPK BMK E5K E8K)	45R9792	1
Slovenian (models 7AG 7BG 7CG 7DG 7EG 7MG 7PG 7QG 7RG 7SG 8CG 8DG 8EG 8FG)	45R9793	1
Greek (models 7AG 7BG 7CG 7DG 7EG 7MG 7PG 7QG 7RG 7SG 8CG 8DG 8EG 8FG)	45R9794	1
Russian (models 7AG 7BG 7CG 7DG 7EG 7MG 7PG 7QG 7RG 7SG 8CG 8DG 8EG 8FG)	46R7299	1
Portuguese (models 7AG 7BG 7CG 7DG 7EG 7MG 7PG 7QG 7RG 7SG 8CG 8DG 8EG 8FG)	45R9796	1
Turkish (models 7AG 7BG 7CG 7DG 7EG 7MG 7PG 7QG 7RG 7SG 8CG 8DG 8EG 8FG)	45R9797	1
Czech (models 7AG 7BG 7CG 7DG 7EG 7MG 7PG 7QG 7RG 7SG 8CG 8DG 8EG 8FG)	45R9798	1
Polish (models 7AG 7BG 7CG 7DG 7EG 7MG 7PG 7QG 7RG 7SG 8CG 8DG 8EG 8FG)	45R9799	1
Russian English (models)	46R7300	1

9702 Vista Business 32 SP1 Recovery DVDs	FRU#	CRU
Arabic Localized (models 7AG 7BG 7CG 7DG 7EG 7MG 7PG 7QG 7RG 7SG 8CG 8DG 8EG 8FG)	45R9801	1
Hebrew (models 7AG 7BG 7CG 7DG 7EG 7MG 7PG 7QG 7RG 7SG 8CG 8DG 8EG 8FG)	45R9802	1
Romanian (models 7AG 7BG 7CG 7DG 7EG 7MG 7PG 7QG 7RG 7SG 8CG 8DG 8EG 8FG)	45R9803	1
Hungarian (models 7AG 7BG 7CG 7DG 7EG 7MG 7PG 7QG 7RG 7SG 8CG 8DG 8EG 8FG)	45R9804	1
Slovakian (models 7AG 7BG 7CG 7DG 7EG 7MG 7PG 7QG 7RG 7SG 8CG 8DG 8EG 8FG)	45R9805	1
Serbian-Latin (models)	45R9806	1

9702 Vista VHP SP1 Recovery DVDs	FRU#	CRU
English (models)	46R7315	1
Japanese (models)	46R7316	1
Simplified Chinese (models)	46R7317	1
French (models)	46R7318	1
German (models)	46R7319	1
Spanish (models)	46R7320	1
Italian (models)	46R7321	1
Brazilian Portuguese (models)	46R7322	1
Danish (models)	46R7323	1
Swedish (models)	45R9844	1
Finland (models)	45R9845	1
Dutch (models)	45R9846	1
Traditional Chinese (models)	46R7324	1
Hong Kong (models)	46R7325	1
Norwegian (models)	46R7326	1
Korean (models)	45R9850	1
Slovenian (models)	45R9851	1
Greek (models)	45R9852	1
Russian (models)	46R7327	1
Portuguese (models)	45R9854	1
Turkish (models)	45R9855	1
Czech (models)	45R9856	1
Polish (models)	45R9857	1
Russian English (models)	46R7328	1
Arabic Localized (models)	45R9859	1
Hebrew (models)	45R9860	1
Romanian (models)	45R9861	1
Hungarian (models)	45R9862	1
Slovakian (models)	45R9863	1
Serbian-Latin (models)	45R9864	1

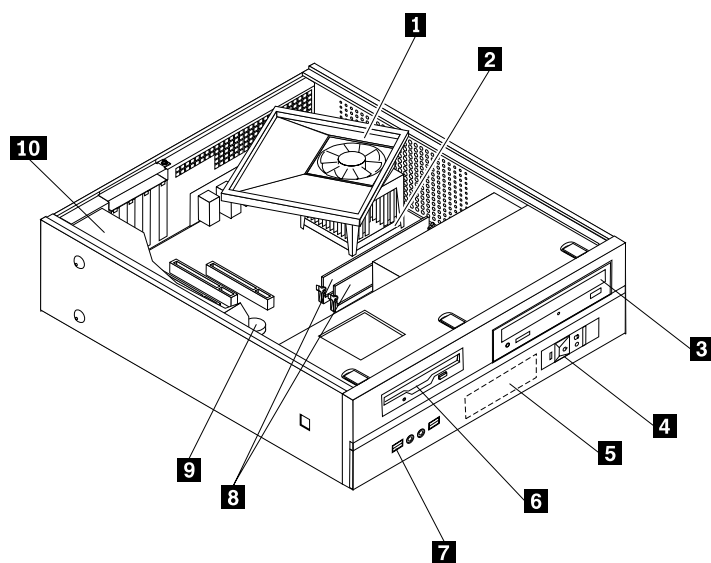
9702 Vista Business 64 SP1 Recovery DVDs	FRU#	CRU
English (models)	46R7301	1
Russian English (models)	46R7302	1
French (models)	46R7303	1
German (models)	46R7304	1
Spanish (models)	46R7305	1
Brazilian Portuguese (models)	46R7306	1
Italian (models)	46R7307	1
Japanese (models)	46R7308	1
Norwegian (models)	46R7309	1
Swedish (models)	45R9816	1
Danish (models)	45R9817	1
Dutch (models)	45R9818	1
Czech (models)	46R7310	1
Finnish (models)	46R7311	1
Polish (models)	46R7312	1
Russian (models)	45R9822	1
Turkish (models)	45R9823	1
Hungarian (models)	45R9824	1
Greek (models)	45R9825	1
Simplified Chinese (models)	46R7313	1
Taiwan (models)	45R9827	1
HongKong (models)	45R9828	1
Korea (models)	45R9829	1
Slovenian (models)	46R7314	1
Portuguese (models)	45R9831	1
Arabic Localized (models)	45R9832	1
Hebrew (models)	45R9833	1
Slovakian (models)	45R9834	1

9702 Vista Ultimate 32 SP1 Recovery DVDs	FRU#	CRU
English (models)	46R7329	1
Japanese (models)	46R7330	1
Simplified Chinese (models)	46R7331	1
French (models)	46R7332	1
German (models)	46R7333	1
Spanish (models)	46R7334	1
Italian (models)	46R7335	1
Brazilian Portuguese (models)	46R7336	1
Danish (models)	46R7337	1

9702 Vista Ultimate 32 SP1 Recovery DVDs	FRU#	CRU
Swedish (models)	45R9874	1
Finland (models)	45R9875	1
Dutch (models)	45R9876	1
Traditional Chinese (models)	46R7338	1
Hong Kong (models)	46R7339	1
Norwegian (models)	46R7340	1
Korean (models)	45R9880	1
Slovenian (models)	45R9881	1
Greek (models)	45R9882	1
Russian (models)	46R7341	1
Portuguese (models)	45R9884	1
Turkish (models)	45R9885	1
Czech (models)	45R9886	1
Polish (models)	45R9887	1
Russian English (models)	46R5089	1
Arabic Localized (models)	46R7342	1
Hebrew (models)	45R9890	1
Hungarian (models)	45R9891	1
Slovakian (models)	45R9892	1

9702 Vista Starter 32 Recovery DVDs	FRU#	CRU
English (models)	46R5059	1

Machine Type 9703



Item #	9703 FRUs	FRU#	CRU
1	Intel 65W/95W Heatsink Kit (all models)	41R6429	2
1	Heat Sink/RM Kit Intel Prescott (all models)	41N8261	2
2	Microprocessor, Celeron 420 CONROE-L 800/1600MHZ-512K,LGA,EM64T (models)	43C3835	N
2	Microprocessor, Celeron 430 CONROE-L 800/1800MHZ-512K,LGA,EM64T (models AMM AMA AMQ AMK AMJ)	43C1964	N
2	Microprocessor, Celeron 440 CONROE-L 800/2000MHZ-512K,LGA,EM64T (models)	43C1965	N
2	Microprocessor, Pentium Dual-core E2140 CONROE-L 800/1600MHZ-1M, LGA, EM64T (models)	43C1967	N
2	Microprocessor, Pentium Dual-core E2160 CONROE-L 800/1800MHZ-1M, LGA, EM64T (models 7AG AAP ACS ACY AES AED AEY AFS AFD AFY AJS AJD AJY ACS ACY ADS ADD ADY BGJ BJJ A5J A6M A6A A6J A9J ANA ANT BHJ APA AUA A7J A8J A6Q A6T A6K ANQ APQ APT AUQ AUT AUK C1M C1A C1Q C1J)	43C1968	N
2	Microprocessor, Core 2 Duo E4400 L2 CONROE 800/2000MHZ-2M, LGA, EM64T (models)	43C2056	N
2	Microprocessor, Core 2 Duo E6400 B2 CONROE 1066/2130MHZ-2M, LGA, EM64T L2 Value (models)	41X2496	N
3	DVD-ROM Drive - 16x/48x - SATA Vista & non-Vista (models AES AED AEY AFS AFD AFY AJS AJD AJY BPJ ADS ADD ADY A5J ALV ANA ANT A7J)	41N3325	2
3	DVD-ROM/CD-RW Combo Drive - 48x/32x/48x/16x - SATA Vista & non-Vista (models 7BG 7BM 7BA 7BQ 7BT 7BJ AAP ACS ACY AGS AGD AGY ABU ACS ACY ABF B8A B8T B8Q B9M B9A B9T B1S B1D B1Y)	42Y9353	2
3	DVD-RW/CD-RW Rambo 8 - SATA Vista & non-Vista (models 7AG AHS AHD AHY AKS AKD AKY BNJ BQJ BSJ BGJ BJJ A6M A6A A6J A9J BHJ APA AUA A8J B4M B4A B4Q B4T C1M C1A C1Q C1J C2M C3M C3A C3Q C3T C3J B5M B5A B5T B6A B6T B7A B7T B3S B3D B3Y B2S B2D B2Y D1A D1T D1J)	43C1042	2
4	Front Power/LED PC, bracket, and cable (all models)	41N8213	2
5	Hard disk drive, SATA 80GB 7200RPM/3Gb/8MB (models AAP ACS ACY AES AED AEY AFS AFD AFY ACS ACY ADS ADD ADY BCJ BDJ BFJ BEJ)	40Y9034	2
5	Hard disk drive, SATA 160GB 7200RPM/3Gb/8MB (models 7BG 7BM 7BA 7BQ 7BT 7BJ AGS AGD AGY AHS AHD AHY AKS AKD AKY AJS AJD AJY ABU BGJ BJJ A5J A6M A6A A6J A9J ALV ANA ANT BHJ APA AUA A7J A8J A6Q A6T A6K ANQ APQ APT AUQ AUT AUK AMM AMA AMQ AMK AMJ ARA ARQ ART ASA ASQ AWA AWQ AWT AWK A2A A2Q A2T A2K BAJ BBA BBQ BBT BBJ ABF C1M C1A C1Q C1J B5M B5A B5T B7A B7T B8A B8T B8Q B3S B3D B3Y B1S B1D B1Y B2S B2D B2Y)	40Y9035	2
5	Hard disk drive, SATA 320GB 7200rpm SATA/8MB (models BPJ BQJ BSJ)	87H4891	2
6	Diskette drive, 3,5", 1.44MB, 2-mode, (w/bezel) (models AJS AJD AJY BNJ BPJ BQJ BSJ BGJ BJJ A5J A8J)	40Y9105	2
6	Diskette drive, 3,5", 1.44MB, 2-mode, (w/bezel) (models AJS AJD AJY BNJ BPJ BQJ BSJ BGJ BJJ A5J A8J)	40Y9107	2
7	Front USB/Audio with bracket (all models)	41N8212	2
8	Memory module, 512 MB PC-5300 (667MHz) DDR2 SDRAM (models AES AED AEY AFS AFD AFY ADD ADY BGJ BJJ A5J ALV BHJ A7J A8J)	41X4255	2

Item #	9703 FRUs	FRU#	CRU
8	Memory module, 1 GB PC-5300 (667MHz) DDR2 SDRAM (models 7BG 7BM 7BA 7BQ 7BT 7BJ 7AG AAP ACS ACY AGS AGD AGY AHS AHD AHY AKS AKD AKY AJS AJD AJY BNJ BPJ BQJ BSJ ABU ACS ACY A6M A6A A6J A9J ANA ANT APA AUA ABF B4M B4A B4Q B4T C1M C1A C1Q C1J C2M C3M C3A C3Q C3T C3J B5M B5A B5T B6A B6T B7A B7T B8A B8T B8Q B9M B9A B9T B3S B3D B3Y B1S B1D B1Y B2S B2D B2Y)	41X4256	2
8	Memory module, 2 GB PC-5300 (667MHz) DDR2 SDRAM (models D1A D1T D1J)	41X4257	2
8	Memory module, 512 MB PC2-6400 (800MHz) DDR2 SDRAM (models)	41X1079	2
8	Memory module, 1GB PC-6400 (800MHz) DDR2 SDRAM (models)	41X1080	2
8	Memory module, 2GB PC-6400 (800MHz) DDR2 SDRAM (models)	41X1081	2
9	System board, Intel G31 nano-BTX GA Level (models 7BG 7BM 7BA 7BQ 7BT 7BJ 7AG AAP ACS ACY AES AED AEY AFS AFD AFY AGS AGD AGY AHS AHD AHY AKS AKD AKY AJS AJD AJY BNJ BPJ BQJ BSJ ABU ACS ACY ADS ADD ADY BGJ BJJ A5J A6M A6A A6J A9J ALV ANA ANT BHJ APA AUA A7J A8J A6Q A6T A6K ANQ APQ APT AUQ AUT AUK AMM AMA AMQ AMK AMJ BCJ BDJ BFJ BEJ BKJ BLJ BNJ BPJ BQJ BSJ BMJ BRJ ARA ARQ ARTASA ASQ AWA AWQ AWT AWK A2A A2Q A2T A2K A3M A3A A3Q A3T A3K A3J A4M A4A A4Q A4T A4K A4J BAJ BBA BBQ BBT BBJ ABF B4M B4A B4Q B4T C1M C1A C1Q C1J C2M C3M C3A C3Q C3T C3J B5M B5A B5T B6A B6T B7A B7T B8A B8T B8Q B9M B9A B9T B3S B3D B3Y B1S B1D B1Y B2S B2D B2Y D1A D1T D1J)	53Y3282	N
10	Power supply, 220 Watt - Robust; for all countries except for JP (models 7BG 7BM 7BA 7BQ 7BT 7AG AAP ACS ACY AES AED AEY AFS AFD AFY AGS AGD AGY AHS AHD AHY AKS AKD AKY AJS AJD AJY ABU ACS ACY ADS ADD ADY A6M A6A ALV ANA ANT APA AUA A6Q A6T A6K ANQ APQ APT AUQ AUT AUK AMM AMA AMQ AMK ARA ARQ ARTASA ASQ AWA AWQ AWT AWK A2A A2Q A2T A2K A3M A3A A3Q A3T A3K A4M A4A A4Q A4T A4K BBA BBQ BBT ABF B4M B4A B4Q B4T C1M C1A C1Q C2M C3M C3A C3Q C3T B5M B5A B5T B6A B6T B7A B7T B8A B8T B8Q B9M B9A B9T B3S B3D B3Y B1S B1D B1Y B2S B2D B2Y D1A D1T)	41A9689	N
10	Power supply, 220 Watt Power Supply - Japan;only for JP (models 7BJ BNJ BPJ BQJ BSJ BGJ BJJ A5J A6J A9J BHJ A7J A8J AMJ BCJ BDJ BFJ BEJ BKJ BLJ BNJ BPJ BQJ BSJ BMJ BRJ A3J A4J BAJ BBJ C1J C3J D1J)	41A9697	N
10	Power supply, 220W 80% Power supply-for all countries (models 7BG 7BM 7BA 7BQ 7BT 7AG AAP ACS ACY AES AED AEY AFS AFD AFY AGS AGD AGY AHS AHD AHY AKS AKD AKY AJS AJD AJY ABU ACS ACY ADS ADD ADY A6M A6A ALV ANA ANT APA AUA A6Q A6T A6K ANQ APQ APT AUQ AUT AUK AMM AMA AMQ AMK ARA ARQ ARTASA ASQ AWA AWQ AWT AWK A2A A2Q A2T A2K A3M A3A A3Q A3T A3K A4M A4A A4Q A4T A4K BBA BBQ BBT ABF B4M B4A B4Q B4T C1M C1A C1Q C2M C3M C3A C3Q C3T B5M B5A B5T B6A B6T B7A B7T B8A B8T B8Q B9M B9A B9T B3S B3D B3Y B1S B1D B1Y B2S B2D B2Y C1J C3J D1A D1T D1J)	41A9670	N
10	Power supply, 280W TFX 280W PS, Active PFC, for all countries (models 7BG 7BM 7BA 7BQ 7BT 7AG AAP ACS ACY AES AED AEY AFS AFD AFY AGS AGD AGY AHS AHD AHY AKS AKD AKY AJS AJD AJY ABU ACS ACY ADS ADD ADY A6M A6A ALV ANA ANT APA AUA A6Q A6T A6K ANQ APQ APT AUQ AUT AUK AMM AMA AMQ AMK ARA ARQ ARTASA ASQ AWA AWQ AWT AWK A2A A2Q A2T A2K A3M A3A A3Q A3T A3K A4M A4A A4Q A4T A4K BBA BBQ BBT ABF B4M B4A B4Q B4T C1M C1A C1Q C2M C3M C3A C3Q C3T B5M B5A B5T B6A B6T B7A B7T B8A B8T B8Q B9M B9A B9T B3S B3D B3Y B1S B1D B1Y B2S B2D B2Y C1J C3J D1A D1T D1J)	41A9705	N

The FRUs listed in the following tables are not illustrated.

9703 FRUs	FRU#	CRU
Planer shield, Atx 946, G31 with usb number (all models)	41R6384	N
Shield, EMC, Blank 5.25 (all models)	41N8271	2
Shield, EMC, Blank diskette drive (all models)	41N8273	2
Cover (all models)	41N8204	2
Mechanical shell kit (all models)	41R6387	N
Bezel kit, without IBM logo (all models)	41R6238	2
Miscellaneous hardware kit (all models)	41N8209	2
Hard disk drive bracket assembly (plastic and grommets) (all models)	41N8210	2
Hard disk drive fan and bracket asm (all models)	41R6325	2
Speaker cable assembly, 600 mm cable length (all models)	41N8217	2
Fan duct assembly (all models)	41R4808	2
Rear USB 2Ports II LP (R), low profile I/O, 200mm, Rohs (all models)	42Y8006	2
Retention module assembly, Intel (all models)	41A7139	N
Intrusion switch assembly (all models)	41R6208	2
Foot stand (all models)	41R4813	1
Cable, diskette drive (all models)	41A7147	2
Cable, SATA Cable, 250 mm (all models)	43N9012	2
Rear IO shield ATX (all models)	41R6383	N
Rear Com2 cable II LP(R), low profile I/O, 250mm, Rohs (all models)	42Y8008	2
Fru,Tamdhu chassis primary HDD cage (all models)	45K6272	1
Fru,Tamdhu ruber foot(For acoustic improvement) (all models)	45K6278	2
Battery 3V- Lithium (models 7BG 7BM 7BA 7BQ 7BT 7BJ 7AG AAP ACS ACY AES AED AEY AFS AFD AFY AGS AGD AGY AHS AHD AHY AKS AKD AKY AJS AJD AJY BNJ BPJ BQJ BSJ ABU ACS ACY ADS ADD ADY BGJ BJJ A5J A6M A6A A6J A9J ALV ANA ANT BHJ APA AUA A7J A8J A6Q A6T A6K ANQ APQ APT AUQ AUT AUK AMM AMA AMQ AMK AMJ BCJ BDJ BFJ BEJ BKJ BLJ BNJ BPJ BQJ BSJ BMJ BRJ ARA ARQ ARTASA ASQ AWA AWQ AWT AWK A2A A2Q A2T A2K A3M A3A A3Q A3T A3K A3J A4M A4A A4Q A4T A4K A4J BAJ BBA BBQ BBT BBJ ABF B4M B4A B4Q B4T C1M C1A C1Q C1J C2M C3M C3A C3Q C3T C3J B5M B5A B5T B6A B6T B7A B7T B8A B8T B8Q B9M B9A B9T B3S B3D B3Y B1S B1D B1Y B2S B2D B2Y D1A D1T D1J)	45C1566	1

9703 Keyboard (Lenovo USB Preferred -- without hub)	FRU#	CRU Tier
US English (models)	41A5039	1
Arabic (models)	41A5040	1
Arabic/French (models)	41A5041	1
Belgian/French (models)	41A5042	1
Belgian/English (models)	41A5043	1
Brazilian Portuguese (models)	41A5044	1
Bulgarian (models)	41A5045	1
Chinese/US (models)	41A5046	1
Czech (models)	41A5047	1

9703 Keyboard (Lenovo USB Preferred -- without hub)	FRU#	CRU Tier
Danish (models)	41A5048	1
Dutch (models)	41A5049	1
French (models)	41A5050	1
French Canadian (models)	41A5051	1
French Canadian (models)	41A5052	1
German (models)	41A5053	1
Greek (models)	41A5054	1
Greek/US (models)	41A5080	1
Hebrew (models)	41A5055	1
Hungarian (models)	41A5056	1
Iceland (models)	41A5057	1
Italian (models)	41A5058	1
Japanese (models)	41A5059	1
Korean (models)	41A5060	1
LA Spanish (models)	41A5061	1
Norwegian (models)	41A5062	1
Polish (models)	41A5063	1
Portuguese (models)	41A5064	1
Romanian (models)	41A5065	1
Russian/Cyrillic (models)	41A5066	1
Serbian/Cyrillic (models)	41A5067	1
Slovak (models)	41A5068	1
Spanish (models)	41A5069	1
Swedish/Finnish (models)	41A5070	1
Swiss (models)	41A5071	1
Thailand (models)	41A5072	1
Turkish (models)	41A5073	1
Turkish (models)	41A5074	1
UK English (models)	41A5075	1
US Euro (models)	41A5076	1
Slovenian (models)	41A5077	1

9703 Keyboard (Lenovo USB Preferred -- without hub)	FRU#	CRU Tier
US English (models 7BG 7BM 7BA 7BQ 7AG ABU A6M A6A ANA APA AUA A6Q ANQ APQ AUQ AMQ ARQ ASQ AWQ A2Q A3Q A4Q BBQ AMM AMA ARA ASA AWA AWQ A2A A3M A3A A4M A4A BBA B4M B4A B4Q C1M C1A C1Q C2M C3M C3A C3Q B5M B5A B6A B7A B8A B8Q B9M B9A D1A)	41A5289	1
Arabic (models 7AG 7BG)	41A5290	1
Arabic/French (models)	41A5291	1

9703 Keyboard (Lenovo USB Preferred -- without hub)	FRU#	CRU Tier
Belgian/French (models 7AG 7BG)	41A5292	1
Belgian/UK (models 7AG 7BG)	41A5293	1
Brazilian Portuguese (models AAP)	41A5294	1
Bulgarian (models 7AG 7BG)	41A5295	1
Chinese/US (models ALV)	41A5296	1
Czech (ABB) (models 7AG 7BG)	41A5297	1
Danish (models 7AG 7BG)	41A5298	1
Dutch (models 7AG 7BG)	41A5299	1
French (models 7AG 7BG)	41A5300	1
French Canadian (models ABF)	41A5301	1
French Canadian (models ABF)	41A5302	1
German (models 7AG 7BG)	41A5303	1
Greek (models 7AG 7BG)	41A5304	1
Greek/US (models 7AG 7BG)	41A5305	1
Hebrew (models 7AG 7BG)	41A5306	1
Hungarian (models 7AG 7BG)	41A5307	1
Iceland (models 7AG 7BG)	41A5308	1
Italian (models 7AG 7BG)	41A5309	1
Japanese (models 7BJ BNJ BPJ BQJ BSJ BGJ BJJ A5J A6J A9J BHJ A7J A8J AMJ BCJ BDJ BFJ BEJ BKJ BLJ BNJ BPJ BQJ BSJ BMJ BRJ C1J C3J D1J)	41A5310	1
Korean (models A6K AUK AMK AWK A2K A3K A4K)	41A5311	1
LA Spanish (models ACS ACY AES AED AEY AFS AFD AFY AGS AGD AGY AHS AHD AHY AKS AKD AKY AJS AJD AJY ACS ACY ADS ADD ADY B3S B3D B3Y B1S B1D B1Y B2S B2D B2Y)	41A5312	1
Norwegian (models 7AG 7BG)	41A5313	1
Polish (models 7AG 7BG)	41A5314	1
Portuguese (models 7AG 7BG)	41A5315	1
Romanian (models 7AG 7BG)	41A5317	1
Russian/Cyrillic (models 7AG 7BG)	41A5318	1
Serbian/Cyrillic (models 7AG 7BG)	41A5319	1
Slovak (models 7AG 7BG)	41A5320	1
Spanish (models 7AG 7BG)	41A5321	1
Swedish/Finnish (models 7AG 7BG)	41A5322	1
Swiss French/German (models 7AG 7BG)	41A5323	1
Thailand (models 7BT ANT A6T APT AUT AWT A2T A3T A4T B4T C3T B5T B6T B7T B8T B9T D1T)	41A5324	1
Turkish (models 7AG 7BG)	41A5325	1
Turkish (models 7AG 7BG)	41A5326	1
UK English (models 7AG 7BG)	41A5327	1

9703 Keyboard (Lenovo USB Preferred -- without hub)	FRU#	CRU Tier
US Euro (models)	41A5328	1
Slovenian (models 7AG 7BG)	41A5329	1

9703 Keyboard (Lenovo Enhanced Perf, USB Preferred -- with hub)	FRU#	CRU Tier
US English (models)	41A4961	1
Arabic (models)	41A4962	1
Arabic/French (models)	41A4963	1
Belgian/French (models)	41A4964	1
Belgian/English (models)	41A4965	1
Brazilian Portuguese (models)	41A4966	1
Bulgarian (models)	41A4967	1
Chinese/US (models)	41A4968	1
Czech (ABB) (models)	41A4969	1
Danish (models)	41A4970	1
Dutch (models)	41A4971	1
French (models)	41A4972	1
French Canadian (models)	41A4973	1
French Canadian (models)	41A4974	1
German (models)	41A4975	1
Greek (models)	41A4976	1
Greek/US (models)	41A5078	1
Hebrew (models)	41A4977	1
Hungarian (models)	41A4978	1
Iceland (models)	41A4979	1
Italian (models)	41A4980	1
Japanese (models)	41A4981	1
Korean (models)	41A4982	1
LA Spanish (models)	41A4983	1
Norwegian (models)	41A4984	1
Polish (models)	41A4985	1
Portuguese (models)	41A4986	1
Romanian (models)	41A4987	1
Russian/Cyrillic (models)	41A4988	1
Serbian/Cyrillic (models)	41A4989	1
Slovak (models)	41A4990	1
Spanish (models)	41A4991	1
Swedish/Finnish (models)	41A4992	1
Swiss French/German (models)	41A4993	1

9703 Keyboard (Lenovo Enhanced Perf, USB Preferred -- with hub)	FRU#	CRU Tier
Thailand (models)	41A4994	1
Turkish (models)	41A4995	1
Turkish (models)	41A4996	1
UK English (models)	41A4997	1
US European (models)	41A4998	1
Slovenian (models)	41A4999	1

9703 Keyboard (Lenovo Fingerprint Reader USB)	FRU#	CRU Tier
US English (models)	41A5248	1
Arabic (models)	41A5249	1
Arabic/French (models)	41A5250	1
Belgian/French (models)	41A5251	1
Belgian/English (models)	41A5252	1
Brazilian Portuguese (models)	41A5253	1
Bulgarian (models)	41A5254	1
Chinese/US (models)	41A5255	1
Czech (ABB) (models)	41A5256	1
Danish (models)	41A5257	1
Dutch (models)	41A5258	1
French (models)	41A5259	1
French Canadian (models)	41A5260	1
French Canadian (models)	41A5261	1
German (models)	41A5262	1
Greek (models)	41A5263	1
Greek/US (models)	41A5264	1
Hebrew (models)	41A5265	1
Hungarian (models)	41A5266	1
Iceland (models)	41A5267	1
Italian (models)	41A5268	1
Japanese (models)	41A5269	1
Korean (models)	41A5270	1
LA Spanish (models)	41A5271	1
Norwegian (models)	41A5272	1
Polish (models)	41A5273	1
Portuguese (models)	41A5274	1
Romanian (models)	41A5276	1
Russian/Cyrillic (models)	41A5277	1
Serbian/Cyrillic (models)	41A5278	1

9703 Keyboard (Lenovo Fingerprint Reader USB)	FRU#	CRU Tier
Slovak (models)	41A5279	1
Spanish (models)	41A5280	1
Swedish/Finnish (models)	41A5281	1
Swiss French/German (models)	41A5282	1
Thailand (models)	41A5283	1
Turkish (models)	41A5284	1
Turkish (models)	41A5285	1
UK English (models)	41A5286	1
US Euro (models)	41A5287	1
Slovenian (models)	41A5288	1

9703 mice	FRU#	CRU
Optical Wheel Mouse (400DPI, USB) (all models)	41U3013	1
Optical Wheel Mouse (400DPI, USB) (all models)	41U3030	1
PS/2 2 Button Ball Mouse (models)	41R0018	1

9703 Adapters and miscellaneous FRUs	FRU#	CRU
Internal USB Memory Card Reader floppy bay (models 7AG)	41R3378	2
Internal USB 20 in 1 Memory CardReader floppy bay (models)	45R8139	2
USB Memory Key (models)	43R2296	2
ATI HD 2600XT 512MB 128BIT ATX (models)	43C0261	2
IEEE 1394 Firewire Adapter SFF (models)	41D2781	2
Soft Modem V.90/V.44 SFF (models CTO)	46R4220	2
USB Memory Key - 1G RoW (models 7BG 7BM 7BA 7BQ 7BT 7BJ)	41U4978	1
Internal USB Memory Card Reader Slim (models)	43C9207	1
ATI HD 2400PRO 128MB 64BIT DMS59 LP (models)	43C0259	2
ATI HD 2400XT 256MB 64BIT DMS59 LP (models)	43C0260	2
ADD2 DVI Adapter,LP (HDCP) (models)	43C0258	2
DVI-I connection Adapter Full Height (models)	39J9334	2
DVI-I connection Adapter Low Profile (models)	39J9334	2
Speaker Power brick - US, Canada, LA low voltage, ASEAN (models ACS AES AFS AGS AHS AKS AJS ABU ACS ADS ADD A6A ANA APA AUA AMA ARA ASA AWA A2A A3A A4A BBA B4A C1A C3A B5A B6A B7A B8A B9A B3S B1S B2S D1A)	89P8571	1
Speaker Power brick - LA high voltage (non-APU) (models AED AFD AGD AHD AKD AJD B3D B2D B1D)	89P8575	1
Speaker Power brick - China, Thailand (models B4T C3T B5T B6T B7T B8T B9T D1T)	89P8581	1
Speaker Power brick - Japan (models 7BJ BNJ BPJ BQJ BSJ BGJ BJJ A5J A6J A9J BHJ A7J A8J BHJ A7J A8J AMJ BCJ BDJ BFJ BEJ BKJ BLJ BNJ BPJ BQJ BSJ BMJ BRJ C1J C3J D1J)	89P8577	1
Speaker Power brick - Brazil (models)	89P8583	1

9703 Adapters and miscellaneous FRUs	FRU#	CRU
Speaker Power brick - Argentina (models AEY AFY AGY AHY AKY AJY ACY ADY B1Y B2Y B3Y)	41A4901	1
Speaker Power brick - ANZ (models A6M AMM A3M A4M B4M C1M C2M C3M B5M B9M)	89P8579	1
Speaker Brick - Korea (models A6K AUK AMK AWK A2K A3K A4K)	41A4903	1
Speaker Brick - Hong Kong, EMEA (models)	89P8573	1
Speaker Brick - Taiwan (models ALV)	41A4905	1
Speaker Power brick - India, South Africa (models 7BQ A6Q ANQ APQ AQQ AUQ AMQ ARQ ASQ AWQ A2Q A3Q A4Q BBQ)	89P8585	1
Dongle DMS Dule DMS-59 to dual VGA Cable (models)	42Y8181	2
Dongle DMS Dule DMS-59 to dual DVI Cable (models)	41X6398	2

9703 Line Cords	FRU#	CRU
Line cord - US (models 7BA 7BT ACS AES AFS AGS AHS AKS AJS AJS AED AFD AGD AHD AKD AJD ABU ACS ADD ANT A6T APT AUT AWT A2T A3T A4T AMA ARA ASA AWA A3A A4A ABF B4A C1A C3A B5A B6A B7A B8A B9A B4T C3T B5T B6T B7T B8T B9T C1S C2S C3S D1A D1T)	41R3184	1
Line cord - US (models 7BA 7BT ACS AES AFS AGS AHS AKS AJS AJS AED AFD AGD AHD AKD AJD ABU ACS ADD ANT A6T APT AUT AWT A2T A3T A4T AMA ARA ASA AWA A3A A4A ABF B4A C1A C3A B5A B6A B7A B8A B9A B4T C3T B5T B6T B7T B8T B9T C1S C2S C3S D1A D1T)	41R3185	1
Line cord - China (models)	41R3256	1
Line cord - China (models)	41R3257	1
Line cord - Brazil (models AAP)	41R3270	1
Line cord - Brazil (models AAP)	41R3271	1
Line cord - LA High Volt APU (models ACY ADY)	41R3176	1
Line Cord - LA High Volt APU (models ACY ADY)	41R3177	1
Line Cord - Korea (models A6K AUK AMK AWK A2K A3K A4K)	41R3260	1
Line Cord - Korea (models A6K AUK AMK AWK A2K A3K A4K)	41R3261	1
Line Cord - UK, Ireland, Singapore, Malaysia, Brunei (models 7BG 7AG 7BA A6A ANA APA AUA AMA ARA ASA AWA A3A A4A B5A B6A B7A B8A B9A)	41R3224	1
Line Cord - UK, Ireland, Singapore, Malaysia, Brunei (models 7BG 7AG 7BA A6A ANA APA AUA AMA ARA ASA AWA A3A A4A B5A B6A B7A B8A B9A)	41R3225	1
Line Cord - Taiwan (models ALV)	41R3278	1
Line Cord - Taiwan (models ALV)	41R3279	1
Line Cord - Italy (models 7AG 7BG ACS ACY AES AFS AGS AHS AKS AEY AFY AGY AHY AKY ACS ACY ADS ADY C1S C2S C3S C1Y C2Y C3Y)	41R3232	1
Line Cord - Italy (models 7AG 7BG ACS ACY AES AFS AGS AHS AKS AEY AFY AGY AHY AKY ACS ACY ADS ADY C1S C2S C3S C1Y C2Y C3Y)	41R3233	1
Line Cord - Indonesia, Laos, Cambodia, and Vietnam (models 7BA A6A ANA APA AQA AUA AMA ARA ASA AWA A3A A4A)	41R3208	1
Line Cord - Indonesia, Laos, Cambodia, and Vietnam (models 7BA A6A ANA APA AQA AUA AMA ARA ASA AWA A3A A4A)	41R3209	1
Line Cord - Denmark (models 7BG 7AG)	41R3212	1
Line Cord - Denmark (models 7BG 7AG)	41R3213	1

9703 Line Cords	FRU#	CRU
Line Cord - Switzerland (models 7BG 7AG)	41R3228	1
Line Cord - Switzerland (models 7BG 7AG)	41R3229	1
Line Cord - Israel (models 7BG 7AG)	41R3236	1
Line Cord - Israel (models 7BG 7AG)	41R3237	1
Line Cord - South Africa (models 7BG 7AG AMM A3M A4M A6A ANA APA AUA AMA ARA ASA AWA A3A A4A B4M C1M C2M C3M B5M B9M)	41R3220	1
Line Cord - South Africa (models 7BG 7AG AMM A3M A4M A6A ANA APA AUA AMA ARA ASA AWA A3A A4A B4M C1M C2M C3M B5M B9M)	41R3221	1
Line Cord - India (models 7BQ A6Q ANQ APQ AUQ AMQ ARQ ASQ AWQ A2Q A3Q A4Q BBQ B4Q C1Q C3Q B8Q)	41R3341	1
Line Cord - India (models 7BQ A6Q ANQ APQ AUQ AMQ ARQ ASQ AWQ A2Q A3Q A4Q BBQ B4Q C1Q C3Q B8Q)	41R3175	1
Line Cord - Japan (models BGJ BJJ A5J A6J A9J BHJ A7J A8J AMJ BCJ BDJ BFJ BEJ BKJ BLJ BNJ BPJ BQJ BSJ BMJ BRJ C1J C3J D1J)	41R3248	1
Line Cord - Japan (models BGJ BJJ A5J A6J A9J BHJ A7J A8J AMJ BCJ BDJ BFJ BEJ BKJ BLJ BNJ BPJ BQJ BSJ BMJ BRJ C1J C3J D1J)	41R3249	1
Line Cord - ANZ (models A6M AMM A3M A4M B4M C1M C2M C3M B5M B9M)	41R3196	1
Line Cord - ANZ (models A6M AMM A3M A4M B4M C1M C2M C3M B5M B9M)	41R3197	1
Line Cord - Hong Kong (models)	41R3224	1
Line Cord - Hong Kong (models)	41R3225	1
Line Cord - US (models 7BA 7BT ACS AES AFS AGS AHS AKS AJS AJS AED AFD AGD AHD AKD AJD ABU ACS ADD ANT A6T APT AUT AWT A2T A3T A4T AMA ARA ASA AWA A3A A4A ABF B4A C1A C3A B5A B6A B7A B8A B9A B4T C3T B5T B6T B7T B8T B9T C1S C2S C3S)	43N9032	1
Line Cord - China (models)	43N9033	1
Line Cord - Japan (models BGJ BJJ A5J A6J A9J BHJ A7J A8J AMJ BCJ BDJ BFJ BEJ BKJ BLJ BNJ BPJ BQJ BSJ BMJ BRJ C1J C3J)	43N9034	1
Line Cord - ANZ (models A6M AMM A3M A4M B4M C1M C2M C3M B5M B9M)	43N9035	1
Line Cord - Hong Kong Singapore, Malaysia, Brunei, Ireland (models 7BG 7AG 7BA A6A ANA APA AUA AMA ARA ASA AWA A3A A4A B5A B6A B7A B8A B9A)	43N9036	1
Line Cord - Taiwan (models ALV)	43N9037	1
Line Cord - Italy (models 7AG 7BG ACS ACY AES AFS AGS AHS AKS AEY AFY AGY AHY AKY ACS ACY ADS ADY C1S C2S C3S C1Y C2Y C3Y)	43N9038	1
Line Cord - Indonesia, Laos, Cambodia, and Vietnam, Austria, Belgium, Croatia Czechoslovakia, Finland, France, Germany, Hungary, Netherlands, Norway, Poland, Portugal, Romania, Spain, Sweden (models 7BA A6A ANA APA AUA AMA ARA ASA AWA A3A A4A B5A B6A B7A B8A B9A)	43N9039	1
Line Cord - Denmark (models 7BG 7AG)	43N9040	1
Line Cord - Switzerland (models 7BG 7AG)	43N9041	1
Line Cord - India (models 7BQ A6Q ANQ APQ AUQ AMQ ARQ ASQ AWQ A2Q A3Q A4Q BBQ B4Q C1Q C3Q B8Q)	43N9042	1

9703 Windows XP Home Recovery CDs	FRU#	CRU
US/UK/AP/TH (models)	TBD	1
FR/CF (models)	TBD	1

9703 Windows XP Home Recovery CDs	FRU#	CRU
GR (models)	TBD	1
IT (models)	TBD	1
BR (models)	TBD	1
SP/LA (models)	TBD	1
DK (models)	TBD	1
NL (models)	TBD	1
AE (models)	TBD	1
SV (models)	TBD	1
HE (models)	TBD	1
FI (models)	TBD	1
NO (models)	TBD	1
PL (models)	TBD	1
PO (models)	TBD	1
RU (models)	TBD	1
RE (models)	TBD	1
HU (models)	TBD	1
CZ (models)	TBD	1
TR (models)	TBD	1
GK (models)	TBD	1
Japanese (models)	TBD	1
Simplified Chinese (models)	TBD	1
Taiwan-TC (models)	TBD	1
Hong Kong-TC (models)	TBD	1
Korean (models)	TBD	1

9703 Windows XP Pro Recovery CDs	FRU#	CRU
US/UK/AP/TH (models ABU A6M A6A A6Q AMM AMA AMQ ARA ARQ D1A)	45R0756	1
FR/CF (models ABF)	45R0759	1
GR (models)	45R0760	1
IT (models)	45R0762	1
BR (models)	45R0763	1
SP/LA (models ACS ACY ADS ADD ADY B3S B3D B3Y B1S B1D B1Y B2S B2D B2Y ACS)	45R0761	1
DK (models)	45R0764	1
NL (models)	45R0767	1
AE (models)	45R2342	1
SV (models)	45R0765	1
HE (models)	45R2334	1
FI (models)	45R0766	1
NO (models)	45R0770	1

9703 Windows XP Pro Recovery CDs	FRU#	CRU
PL (models)	45R0777	1
PO (models)	45R0774	1
RU (models)	45R0773	1
RE (models)	45R2318	1
HU (models)	45R0780	1
CZ (models)	45R0776	1
TR (models)	45R0775	1
GK (models)	45R0772	1
SL (models)	45R2326	1
Japanese (models BNJ BPJ BQJ BSJ BGJ BJJ A5J A6J A9J AMJ BCJ BDJ BFJ BKJ BLJ BNJ BPJ BQJ BSJ BAJ D1J)	45R0757	1
Simplified Chinese (models)	45R0758	1
Taiwan-TC (models)	45R0768	1
Hong Kong-TC (models)	45R0769	1
Korean (models A6K AMK)	45R0771	1
Multilingual 1 XP-Pro -- EN, NL, FR, GR, IT (models)	45R8246	1
Multilingual 2 XP-Pro -- EN, DK, FI, NO, SV (models)	45R8247	1

9703 Vista Home Basic 32 SP1 Recovery DVDs	FRU#	CRU
English (models AUA AWA AWQ A2A A2Q AUQ)	46R7273	1
Japanese (models)	46R7274	1
Simplified Chinese (models)	46R7275	1
French (models)	46R7276	1
German (models)	46R7277	1
Spanish (models)	46R7278	1
Italian (models)	46R7279	1
Brazilian Portuguese (models)	46R7280	1
Danish (models)	46R7281	1
Swedish (models)	45R9758	1
Finland (models)	45R9759	1
Dutch (models)	45R9760	1
Traditional Chinese (models)	46R7282	1
Hong Kong (models)	46R7283	1
Norwegian (models)	46R7284	1
Korean (models AWK A2K AUK)	45R9764	1
Slovenian (models)	45R9765	1
Greek (models)	45R9766	1
Russian (models)	46R7285	1
Portuguese (models)	45R9768	1

9703 Vista Home Basic 32 SP1 Recovery DVDs	FRU#	CRU
Turkish (models)	45R9769	1
Czech (models)	45R9770	1
Polish (models)	45R9771	1
Russian English (models)	46R5065	1
Arabic Localized (models)	45R9773	1
Hebrew (models)	45R9774	1
Hungarian (models)	45R9775	1
Slovakian (models)	45R9776	1

9703 Vista Business 32 SP1 Recovery DVDs	FRU#	CRU
English (models 7AG 7BG 7BM 7BA 7BQ ABU ASA ASQ A4M A4A A4Q BBA BBQ B4M B4A B4Q C1M C1A C1Q C2M C3M C3A C3Q B5M B5A A4A B6A B7A B8A B9A B8Q B9M D1A)	46R7287	1
Japanese (models 7AJ BHJ A7J A8J BEJ BMJ BRJ A4J BBJ C1J C3J D1J)	46R7288	1
Simplified Chinese (models)	46R7289	1
French (models ABF)	46R7290	1
German (models)	46R7291	1
Spanish (models)	46R7292	1
Italian (models ACS ACY AFS AFD AFY AGS AGD AGY AHS AHD AHY AKS AKD AKY AJS AJD AJY ACS ACY B3S B3D B3Y B1S B1D B1Y B2S B2D B2Y)	46R7293	1
Brazilian Portuguese (models)	46R7294	1
Danish (models)	46R7295	1
Swedish (models)	45R9786	1
Finland (models)	45R9787	1
Dutch (models)	45R9788	1
Traditional Chinese (models)	46R7296	1
Hong Kong (models)	46R7297	1
Norwegian (models)	46R7298	1
Korean (models A4K)	45R9792	1
Slovenian (models)	45R9793	1
Greek (models)	45R9794	1
Russian (models)	46R7299	1
Portuguese (models)	45R9796	1
Turkish (models)	45R9797	1
Czech (models)	45R9798	1
Polish (models)	45R9799	1
Russian English (models)	46R7300	1
Arabic Localized (models)	45R9801	1
Hebrew (models)	45R9802	1
Romanian (models)	45R9803	1
Hungarian (models)	45R9804	1

9703 Vista Business 32 SP1 Recovery DVDs	FRU#	CRU
Slovakian (models)	45R9805	1
Serbian-Latin (models)	45R9806	1

9703 Vista VHP SP1 Recovery DVDs	FRU#	CRU
English (models)	46R7315	1
Japanese (models)	46R7316	1
Simplified Chinese (models)	46R7317	1
French (models)	46R7318	1
German (models)	46R7319	1
Spanish (models)	46R7320	1
Italian (models)	46R7321	1
Brazilian Portuguese (models)	46R7322	1
Danish (models)	46R7323	1
Swedish (models)	45R9844	1
Finland (models)	45R9845	1
Dutch (models)	45R9846	1
Traditional Chinese (models)	46R7324	1
Hong Kong (models)	46R7325	1
Norwegian (models)	46R7326	1
Korean (models)	45R9850	1
Slovenian (models)	45R9851	1
Greek (models)	45R9852	1
Russian (models)	46R7327	1
Portuguese (models)	45R9854	1
Turkish (models)	45R9855	1
Czech (models)	45R9856	1
Polish (models)	45R9857	1
Russian English (models)	46R7328	1
Arabic Localized (models)	45R9859	1
Hebrew (models)	45R9860	1
Romanian (models)	45R9861	1
Hungarian (models)	45R9862	1
Slovakian (models)	45R9863	1
Serbian-Latin (models)	45R9864	1

9703 Vista Business 64 SP1 Recovery DVDs	FRU#	CRU
English (models)	46R7301	1
Russian English (models)	46R7302	1
French (models)	46R7303	1

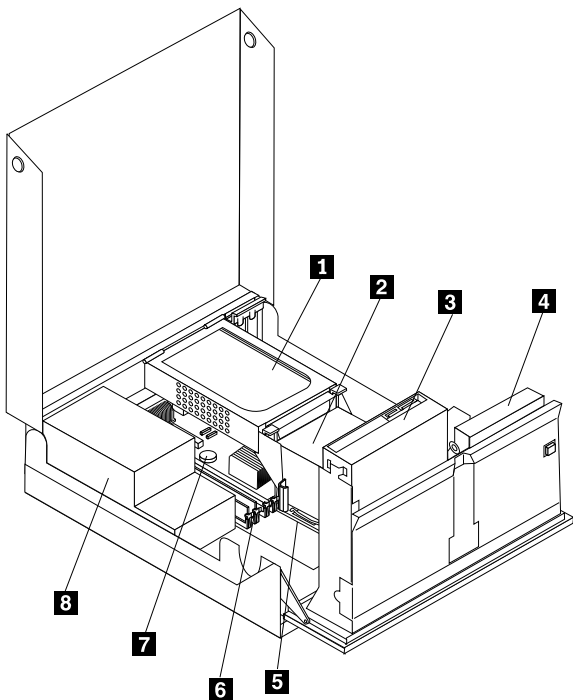
9703 Vista Business 64 SP1 Recovery DVDs	FRU#	CRU
German (models)	46R7304	1
Spanish (models)	46R7305	1
Brazilian Portuguese (models)	46R7306	1
Italian (models)	46R7307	1
Japanese (models)	46R7308	1
Norwegian (models)	46R7309	1
Swedish (models)	45R9816	1
Danish (models)	45R9817	1
Dutch (models)	45R9818	1
Czech (models)	46R7310	1
Finnish (models)	46R7311	1
Polish (models)	46R7312	1
Russian (models)	45R9822	1
Turkish (models)	45R9823	1
Hungarian (models)	45R9824	1
Greek (models)	45R9825	1
Simplified Chinese (models)	46R7313	1
Taiwan (models)	45R9827	1
HongKong (models)	45R9828	1
Korea (models)	45R9829	1
Slovenian (models)	46R7314	1
Portuguese (models)	45R9831	1
Arabic Localized (models)	45R9832	1
Hebrew (models)	45R9833	1
Slovakian (models)	45R9834	1

9703 Vista Ultimate 32 SP1 Recovery DVDs	FRU#	CRU
English (models)	46R7329	1
Japanese (models)	46R7330	1
Simplified Chinese (models)	46R7331	1
French (models)	46R7332	1
German (models)	46R7333	1
Spanish (models)	46R7334	1
Italian (models)	46R7335	1
Brazilian Portuguese (models)	46R7336	1
Danish (models)	46R7337	1
Swedish (models)	45R9874	1
Finland (models)	45R9875	1
Dutch (models)	45R9876	1

9703 Vista Ultimate 32 SP1 Recovery DVDs	FRU#	CRU
Traditional Chinese (models)	46R7338	1
Hong Kong (models)	46R7339	1
Norwegian (models)	46R7340	1
Korean (models)	45R9880	1
Slovenian (models)	45R9881	1
Greek (models)	45R9882	1
Russian (models)	46R7341	1
Portuguese (models)	45R9884	1
Turkish (models)	45R9885	1
Czech (models)	45R9886	1
Polish (models)	45R9887	1
Russian English (models)	46R5089	1
Arabic Localized (models)	46R7342	1
Hebrew (models)	45R9890	1
Hungarian (models)	45R9891	1
Slovakian (models)	45R9892	1

9703 Vista Starter 32 Recovery DVDs	FRU#	CRU
English (models)	46R5059	1

Machine Type 9704



Item #	9704 FRUs	FRU#	CRU
1	Hard disk drive,SATA 80GB 7200RPM/3Gb/8MB (models AFP AHS AHY ALU ALF BRU BRF)	40Y9034	2
1	Hard disk drive,SATA 160GB 7200RPM/3Gb/8MB (models 7AG 7AM 7AQ 7AT 7AJ AGP ABU AEC AJS AJY 7BG 7CG AMU AMF ANU ANF BDU BDF APU APF AVM AVJ A2M A2A A2T A4M A4A A4T BAM BEV AQA AQQ AQT ASQ AST ASJ 7FG ASM ASA ASK AWJ A3J A5J A8J A9A A9Q A9T A9J AKF B2M B2A B2QB2T B2J BHM BHA BHT BLA BLT BFU BFF BGC BSU BSF 7QG 8SM 8SA 8SQ 8ST 8SJ 71G)	40Y9035	2
1	Hard disk drive,SATA 320GB 7200rpm SATA/8MB (models B1M 7NG 7PG 72G 73G)	87H4891	2
2	Thermal kit (all models)	41R6039	2
3	Optical drive,DVD-ROM Drive - 16x/48x - SATA Vista & non-Vista (models AEC ALU ALF BEV A5J A7J A9A A9Q A9T A9J BGC BRU BRF)	41N3325	2
3	Optical drive,DVD-ROM/CD-RW Combo Drive - 48x/32x/48x/16x - SATA Vista & non-Vista (models 7AG 7AM 7AQ 7AT 7AJ AFP AGP ABU 7AA AHS AHY AJS AJY AMU AMF APU APF BAM 7FG A8J AKF BSU BSF)	42Y9353	2
3	Optical drive,DVD-RW/CD-RW Rambo 8 - SATA Vista & non-Vista (models 7BG 7CG ANU ANF BDU BDF AVM AVJ A2M A2A A2T A4M A4A A4T A6M A6A A6T BBM AQA AQQ AQT ASQ AST ASJ AUQ AUT AUJ ASM ASA ASK AUM AUA AUK AWJ A3J B1M B2M B2A B2QB2T B2J B3M B3A B3Q B3J BMJ BPJ BQJ BHM BHA BHT BJM BJA BJT BKM BKA BKT BLA BLT BFU BFF 7QG 7NG 7PG 8SM 8SA 8SQ 8ST 8SJ 71G 72G 73G 8GG 8HG)	43C1042	2
5	Microprocessor, Celeron 420 CONROE-L 800/1600MHZ-512K,LGA,EM64T(models A8J A9A A9Q A9T A9J)	43C3835	N
5	Microprocessor, Celeron 430 CONROE-L 800/1800MHZ-512K,LGA,EM64T(models)	43C1964	N
5	Microprocessor, Celeron 440 CONROE-L 800/2000MHZ-512K,LGA,EM64T(models)	43C1965	N
5	Microprocessor, Pentium Dual-core E2140 CONROE-L 800/1600MHZ-1M, LGA, EM64T (models)	43C1967	N
5	Microprocessor, Pentium Dual-core E2160 CONROE-L 800/1800MHZ-1M, LGA, EM64T (models ABU ALU ALF AMU AMF ANU ANF A2M A2A A2T AQA AQQ AQT AWJ)	43C1968	N
5	Microprocessor, Core 2 Duo E4400 L2 CONROE 800/2000MHZ-2M, LGA, EM64T (models)	43C2056	N
5	Microprocessor,Core 2 Duo E6400 B2 CONROE 1066/2130MHZ-2M, LGA, EM64T L2 Value (models)	41X2496	N
5	Microprocessor, Pentium Dual-core E2200 CONROE-L 800/2200MHZ-1M, LGA, EM64T - NPI (models CTO)	45C5349	N
5	Microprocessor, Pentium Dual-core E2180 CONROE-L 800/2000MHZ-1M, LGA, EM64T - NPI (models CTO)	45C1773	N
5	Microprocessor, Pentium Dual-core E2220 CONROE-L 800/2400MHZ-1M, LGA, EM64T - NPI (models CTO)	45C1774	N
5	Microprocessor, Core 2 Duo E4600 M0 CONROE 800/2400MHZ-2M, LGA, EM64T - NPI (models CTO)	45C5282	N
5	Microprocessor, Core 2 Duo E4500 M0 CONROE 800/2200MHZ-2M, LGA, EM64T (models CTO)	43C6305	N
5	Microprocessor, Core 2 Duo E6850 G0 CONROE 1333/3000MHZ-4M, LGA, EM64T (models CTO)	43C1694	N
5	Microprocessor, Core 2 Duo E6750 G0 CONROE 1333/2660MHZ-4M, LGA, EM64T (models CTO)	43C1693	N

Item #	9704 FRUs	FRU#	CRU
5	Microprocessor, Core 2 Duo E6550 G0 CONROE 1333/2330MHZ-4M, LGA, EM64T (models CTO)	43C3833	N
5	Microprocessor, Core 2 Quad G-0 Q6700 KENTSFIELD 1066/2660MHZ-8M (models CTO)	43C6309	N
5	Microprocessor, Core 2 Quad G-0 Q6600 KENTSFIELD 1066/2400MHZ-8M (models CTO)	43C1695	N
5	Microprocessor, Core 2 Duo E8500 WOLFDAL E 1333/3160MHZ-6M (models CTO)	45C7735	N
5	Microprocessor, Core 2 Duo E8400 WOLFDAL E 1333/3000MHZ-6M (models CTO)	45C7736	N
5	Microprocessor, Core 2 Duo E8200 WOLFDAL E 1333/2660MHZ-6M (models CTO)	45C7738	N
5	Microprocessor, Core 2 Duo E8190 WOLFDAL E 1333/2660MHZ-6M - NON VT/Vpro (models CTO)	45R2568	N
5	Microprocessor, Core 2 Quad Q9550 C-1 YORKFIELD 2.83GHz 1333MHZ FSB 12M L2 (models CTO)	45C7739	N
5	Microprocessor, Core 2 Quad Q9450 C-1 YORKFIELD 2.66GHz 1333MHZ FSB 12M L2 (models CTO)	45C7740	N
5	Microprocessor, Core 2 Quad Q9300 M-1 YORKFIELD 2.5GHz 1333MHZ FSB 6M L2 (models CTO)	45C7741	N
5	Microprocessor, Core 2 Duo E8300 C-0 WOLFDAL E 2.83GHz 1333MHZ FSB 6M L2 (models CTO)	45C7737	N
5	Microprocessor, Core 2 Duo E7300 M-0 2.66GHz 1066MHz FSB 3M L2 (models CTO)	46R1622	N
5	Microprocessor, Core 2 Duo E7200 M-0 2.53GHz 1066MHz FSB 3M L2 (models CTO)	45R8337	N
5	Microprocessor, Core 2 Duo E4700 G-0 2.6GHz 800MHz FSB 2M L2 (models CTO)	45R5786	N
5	Microprocessor, Celeron Dual Core E1400 M-0 2.0GHz 800MHz FSB 512K L2 (models CTO)	45R8339	N
5	Microprocessor, Celeron Dual Core E1200 M-0 1.6GHz 800MHz FSB 512K L2, LGA, EM64T - NPI (models CTO)	45R8341	N
5	Microprocessor, Core 2 Duo E8600 E-0 WOLFDAL E 3.33GHz 1333MHZ FSB 6M L2 (models CTO)	46R8640	N
6	Memory module,512 MB PC-5300 (667MHz) DDR2 SDRAM (models AEC ALU ALF AMU AMF BAM BRU BRF)	41X4255	2
6	Memory module,1 GB PC-5300 (667MHz) DDR2 SDRAM (models 7AG 7AM 7AQ 7AT 7AJ AFP AGP ABU 7AA AHS AHY AJS AJY 7BG 7CG ANU ANF BDU BDF APU APF AVM AVJ A2M A2A A2T A4M ASM ASA ASK AUM AUA AUK AWJ A3J A5J A7J A8J A9A A9Q A9T A9JA4A A4T A6M A6A A6T BBM BEV AQA AQQ AQT ASQ AST ASJ AUQ AUT AUJ 7FG AKF B1M B2M B2A B2QB2T B2J B3M B3A B3Q B3J BMJ BPJ BQJ BHM BHA BHT BJM BJA BJT BLA BLT BFU BFF BGC BSU BSF 7QG 7NG 7PG 8SM 8SA 8ST 8SQ 8SJ 71G 72G 73G)	41X4256	2
6	Memory module,2 GB PC-5300 (667MHz) DDR2 SDRAM (models BKM BKA BKT 8GG 8HG)	41X4257	2
6	Memory module,512 MB PC2-6400 (800MHz) DDR2 SDRAM (models)	41X1079	2
6	Memory module,1GB PC-6400 (800MHz) DDR2 SDRAM (models 8TM 8TA 8TT 8TQ 8TJ)	41X1080	2
6	Memory module,2GB PC-6400 (800MHz) DDR2 SDRAM (models)	41X1081	2

Item #	9704 FRUs	FRU#	CRU
7	System board, Intel G31 nano-BTX GA Level (models 7AG 7AM 7AA 7AQ 7AT 7AJ AFP AGP ABU AEC AHS AHY AJS AJY 7BG 7CG ALU ALF AMU AMF ANU ANF BDU BDF APU APF AVM AVJ A2M A2A A2T A4M A4A A4T A6M A6A A6T BAM BBM BEV AQA AQQ AQT ASQ AST ASJ AUQ AUT AUJ 7FG ASM ASA ASK AUM AUA AUK AWJ A3J A5J A7J A8J A9A A9Q A9T A9J AKF B1M B2M B2A B2QB2T B2J B3M B3A B3Q B3J BMJ BPJ BQJ BHM BHA BHT BJM BJA BJT BKM BKA BKT BLA BLT BFU BFF BGC BRU BRF BSU BSF 7QG 7NG 7PG 8SM 8SA 8SQ 8ST 8SJ 71G 72G 73G 8GG 8HG)	53Y5125	N
8	Power supply, 280W Active PFC power supply for 10L---all countries (models 7AG 7AM 7AQ 7AT 7AJ AFP AGP ABU AEC 7AA AHS AHY AJS AJY 7BG 7CG ALU ALF AMU AMF ANU ANF BDU BDF APU APF AVM AVJ A2M A2A A2T A4M A4A A4T A6M A6A A6T BAM BBM BEV AQA AQQ AQT ASQ AST ASJ AUQ AUT AUJ 7FG ASM ASA ASK AUM AUA AUK AWJ A3J A5J A7J A8J A9A A9Q A9T A9J AKF B1M B2M B2A B2QB2T B2J B3M B3A B3Q B3J BMJ BPJ BQJ BHM BHA BHT BJM BJA BJT BKM BKA BKT BLA BLT BFU BFF BGC BRU BRF BSU BSF 7QG 7NG 7PG 8SM 8SA 8SQ 8ST 8SJ 71G 72G 73G 8GG 8HG)	41A9701	2
8	Power supply, 280W 80+ power supply for 10L---all countries (models 7AG 7AM 7AQ 7AT 7AJ AFP AGP ABU AEC 7AA AHS AHY AJS AJY 7BG 7CG ALU ALF AMU AMF ANU ANF BDU BDF APU APF AVM AVJ A2M A2A A2T A4M A4A A4T A6M A6A A6T BAM BBM BEV AQA AQQ AQT ASQ AST ASJ AUQ AUT AUJ 7FG ASM ASA ASK AUM AUA AUK AWJ A3J A5J A7J A8J A9A A9Q A9T A9J AKF B1M B2M B2A B2QB2T B2J B3M B3A B3Q B3J BMJ BPJ BQJ BHM BHA BHT BJM BJA BJT BKM BKA BKT BLA BLT BFU BFF BGC BRU BRF BSU BSF 7QG 7NG 7PG 8SM 8SA 8SQ 8ST 8SJ 71G 72G 73G 8GG 8HG)	41A9717	2
8	Power supply, 280W Active PFC power supply for 10L---all countries (LX-607) (models 7AG 7AM 7AQ 7AT 7AJ AFP AGP ABU AEC 7AA AHS AHY AJS AJY 7BG 7CG ALU ALF AMU AMF ANU ANF BDU BDF APU APF AVM AVJ A2M A2A A2T A4M A4A A4T A6M A6A A6T BAM BBM BEV AQA AQQ AQT ASQ AST ASJ AUQ AUT AUJ 7FG ASM ASA ASK AUM AUA AUK AWJ A3J A5J A7J A8J A9A A9Q A9T A9J AKF B1M B2M B2A B2QB2T B2J B3M B3A B3Q B3J BMJ BPJ BQJ BHM BHA BHT BJM BJA BJT BKM BKA BKT BLA BLT BFU BFF BGC BRU BRF BSU BSF 7QG 7NG 7PG 8SM 8SA 8SQ 8ST 8SJ 71G 72G 73G 8GG 8HG)	45J9418	2
8	Power supply, 280W 80+ power supply for 10L---all countries (LX-607) (models 7AG 7AM 7AQ 7AT 7AJ AFP AGP ABU AEC 7AA AHS AHY AJS AJY 7BG 7CG ALU ALF AMU AMF ANU ANF BDU BDF APU APF AVM AVJ A2M A2A A2T A4M A4A A4T A6M A6A A6T BAM BBM BEV AQA AQQ AQT ASQ AST ASJ AUQ AUT AUJ 7FG ASM ASA ASK AUM AUA AUK AWJ A3J A5J A7J A8J A9A A9Q A9T A9J AKF B1M B2M B2A B2QB2T B2J B3M B3A B3Q B3J BMJ BPJ BQJ BHM BHA BHT BJM BJA BJT BKM BKA BKT BLA BLT BFU BFF BGC BRU BRF BSU BSF 7QG 7NG 7PG 8SM 8SA 8SQ 8ST 8SJ 71G 72G 73G 8GG 8HG)	45J9427	2

The FRUs listed in the following tables are not illustrated.

9704 FRUs	FRU#	CRU
Power switch/LED cable assembly (all models)	41R3391	2
USB cable assembly (all models)	41R3392	2
SATA cable, 120mm (all models)	41R3328	2
SATA cable, 700mm (all models)	39K5026	2
Speaker/Cable assembly (all models)	39K5012	2
Temp Sense cable (460 mm) (all models)	41R2509	2
System Fan assembly (all models)	41R6249	2
Cpu Support Module (all models)	41R6252	N

9704 FRUs	FRU#	CRU
HDD Tray assembly (all models)	41R6253	2
Internal Plastic (all models)	41R6254	2
Bezel, Plastic (all models)	41R6255	2
Front rotating cage assembly (all models)	41R6256	N
Top cover assembly (all models)	41R6257	2
L1-C2 intrusion switch (all models)	39K5022	2
Fan for SFF (all models)	41R6042	2
Rel IO shield BTX atlantic (all models)	41R6381	N
C2 Intrusion Switch (all models)	39K5022	2
Chassis atlantic (all models)	41R6275	N
10L FRONT I/O CABLE RoHS (all models)	41R6054	2
10L FRONT I/O CABLE RoHS (all models)	43N9015	2
Cabel-SATA 700mm (RoHS) (all models)	43N9011	2
Universal Adapter Bracket 5.25 to 3.5 (all models)	43N9361	2
FDD Retainer, 607AT, SFF (LX-607) (all models)	43N9681	2
Vertical Stand, Tampa/607CT (all models)	43N9644	N
HDD bracket ASM (all models)	43N9690	2
HDD bracket with cover b, for Toyota, Flex (all models)	43N9691	2
ODD mounting kit, 607AT (all models)	43N9362	2
Cardreader Bezel Kit, 607AT (all models)	43N9363	2
Slim FDD (all models)	40Y9109	2
Fru,Tamdhu chassis primary HDD cage (all models)	45K6272	1
Fru,Tamdhu ruber foot(For acoustic improvement) (all models)	45K6278	2
Battery 3V- Lithium (models 7AG 7AM 7AA 7AQ 7AT 7AJ AFP AGP ABU AEC AHS AHY AJS AJY 7BG 7CG ALU ALF AMU AMF ANU ANF BDU BDF APU APF AVM AVJ A2M A2A A2T A4M A4A A4T A6M A6A A6T BAM BBM BEV AQA AQQ AQT ASQ AST ASJ AUQ AUT AUJ 7FG ASM ASA ASK AUM AUA AUK AWJ A3J A5J A7J A8J A9A A9Q A9T A9J AKF B1M B2M B2A B2QB2T B2J B3M B3A B3Q B3J BMJ BPJ BQJ BHM BHA BHT BJM BJA BJT BKM BKA BKT BLA BLT BFU BFF BGC BRU BRF BSU BSF 7QG 7NG 7PG 8SM 8SA 8SQ 8ST 8SJ 71G 72G 73G 8GG 8HG)	45C1566	1

9704 Keyboard (Preferred Pro Fullsize PS/2)	FRU#	CRU Tier
US English (models)	41A5039	1
Arabic (models)	41A5040	1
Arabic/French (models)	41A5041	1
Belgian French (models)	41A5042	1
Belgium English (models)	41A5043	1
Brazilian Portuguese (models)	41A5044	1
Bulgarian (models)	41A5045	1
Chinese/US (models)	41A5046	1

9704 Keyboard (Preferred Pro Fullsize PS/2)	FRU#	CRU Tier
Czech (ABB) (models)	41A5047	1
Danish (models)	41A5048	1
Dutch (models)	41A5049	1
French (models)	41A5050	1
French Canadian (models)	41A5051	1
French Canadian (models)	41A5052	1
German (models)	41A5053	1
Greek (models)	41A5054	1
Greek/US (models)	41A5080	1
Hebrew (models)	41A5055	1
Hungarian (models)	41A5056	1
Iceland (models)	41A5057	1
Japanese (models)	41A5058	1
Korean (models)	41A5059	1
LA Spanish (models)	41A5060	1
Italian (models)	41A5061	1
Norwegian (models)	41A5062	1
Polish (models)	41A5063	1
Portuguese (models)	41A5064	1
Romanian (models)	41A5065	1
Russian/Cyrillic (models)	41A5066	1
Serbian/Cyrillic (models)	41A5067	1
Slovak (models)	41A5068	1
Spanish (models)	41A5069	1
Swedish/Finnish (models)	41A5070	1
Swiss French/German (models)	41A5071	1
Thailand (models)	41A5072	1
Turkish (models)	41A5073	1
Turkish (models)	41A5074	1
UK English (models)	41A5074	1
US Euro (models)	41A5075	1
Slovenian (models)	41A5077	1

9704 Keyboard (Lenovo USB Preferred -- without hub)	FRU#	CRU Tier
US English (models ABU 7AM 7AQ 7AG 7BG 7CG ALU AMU ANU BDU APU AVM A2M A2A A4M A4A A6M A6A BAM BBM AQA AQQ ASQ AUQ 7FG ASM ASA AUM AUA A9A A9Q B1M B2M B2A B2Q B3M B3A B3Q BHM BHA BJM BJA BKM BKA BLA BFU BRU BSU 7QG 7NG 7PG 8SM 8SA 8SQ 71G 72G 73G 8GG 8HG)	41A5289	1
Arabic (models 7AG 7BG 7CG 7FG 7QG 7NG 7PG 71G 72G 73G 8GG 8HG)	41A5290	1

9704 Keyboard (Lenovo USB Preferred -- without hub)	FRU#	CRU Tier
Arabic/French (models)	41A5291	1
Belgian French (models 7AG 7BG 7CG 7FG 7QG 7NG 7PG 71G 72G 73G 8GG 8HG)	41A5292	1
Belgium English (models 7AG 7BG 7CG 7FG 7QG 7NG 7PG 71G 72G 73G 8GG 8HG)	41A5293	1
Brazilian Portuguese (models AFP AGP)	41A5294	1
Bulgarian (models 7AG 7BG 7CG 7FG 7QG 7NG 7PG 71G 72G 73G 8GG 8HG)	41A5295	1
Chinese/US (models BEV)	41A5296	1
Czech (ABB) (models 7AG 7BG 7CG 7FG 7QG 7NG 7PG 71G 72G 73G 8GG 8HG)	41A5297	1
Danish (models 7AG 7BG 7CG 7FG 7QG 7NG 7PG 71G 72G 73G 8GG 8HG)	41A5298	1
Dutch (models 7AG 7BG 7CG 7FG 7QG 7NG 7PG 71G 72G 73G 8GG 8HG)	41A5299	1
French (models 7AG 7BG 7CG 7FG 7QG 7NG 7PG 71G 72G 73G 8GG 8HG)	41A5300	1
French Canadian (models ALF AMF ANF APF BDF AKF BFF BRF BSF)	41A5301	1
French Canadian (models ALF AMF ANF APF BDF AKF BFF BRF BSF)	41A5302	1
German (models 7AG 7BG 7CG 7FG 7QG 7NG 7PG 71G 72G 73G 8GG 8HG)	41A5303	1
Greek (models 7AG 7BG 7CG 7FG 7QG 7NG 7PG 71G 72G 73G 8GG 8HG)	41A5304	1
Greek/US (models 7AG 7BG 7CG 7FG 7QG 7NG 7PG 71G 72G 73G 8GG 8HG)	41A5305	1
Hebrew (models 7AG 7BG 7CG 7FG 7QG 7NG 7PG 71G 72G 73G 8GG 8HG)	41A5306	1
Hungarian (models 7AG 7BG 7CG 7FG 7QG 7NG 7PG 71G 72G 73G 8GG 8HG)	41A5307	1
Iceland (models 7AG 7BG 7CG 7FG 7QG 7NG 7PG 71G 72G 73G 8GG 8HG)	41A5308	1
Japanese (models 7AJ AVJ ASJ AUJ AWJ A3J A5J A7J A8J A9J B3J BMJ BPJ BQJ BSJ BTJ)	41A5310	1
Korean (models ASK AUK)	41A5311	1
LA Spanish (models AHS AHY AJS AJY)	41A5312	1
Italian (models 7AG 7BG 7CG 7FG 7QG 7NG 7PG 71G 72G 73G 8GG 8HG)	41A5309	1
Norwegian (models 7AG 7BG 7CG 7FG 7QG 7NG 7PG 71G 72G 73G 8GG 8HG)	41A5313	1
Polish (models 7AG 7BG 7CG 7FG 7QG 7NG 7PG 71G 72G 73G 8GG 8HG)	41A5314	1
Portuguese (models 7AG 7BG 7CG 7FG 7QG 7NG 7PG 71G 72G 73G 8GG 8HG)	41A5315	1
Romanian (models 7AG 7BG 7CG 7FG 7QG 7NG 7PG 71G 72G 73G 8GG 8HG)	41A5317	1
Russian/Cyrillic (models 7AG 7BG 7CG 7FG 7QG 7NG 7PG 71G 72G 73G 8GG 8HG)	41A5318	1
Serbian/Cyrillic (models 7AG 7BG 7CG 7FG 7QG 7NG 7PG 71G 72G 73G 8GG 8HG)	41A5319	1
Slovak (models 7AG 7BG 7CG 7FG 7QG 7NG 7PG 71G 72G 73G 8GG 8HG)	41A5320	1
Spanish (models 7AG 7BG 7CG 7FG 7QG 7NG 7PG 71G 72G 73G 8GG 8HG)	41A5321	1
Swedish/Finnish (models 7AG 7BG 7CG 7FG 7QG 7NG 7PG 71G 72G 73G 8GG 8HG)	41A5322	1
Swiss French/German (models 7AG 7BG 7CG 7FG 7QG 7NG 7PG 71G 72G 73G 8GG 8HG)	41A5323	1
Thailand (models A2T A4T A6T AQT AST AUT B2T BHT BJT BKT BLT BST BTT)	41A5324	1
Turkish (models 7AG 7BG 7CG 7FG 7QG 7NG 7PG 71G 72G 73G 8GG 8HG)	41A5325	1
Turkish (models 7AG 7BG 7CG 7FG 7QG 7NG 7PG 71G 72G 73G 8GG 8HG)	41A5326	1
UK English (models)	41A5327	1
US Euro (models)	41A5328	1
Slovenian (models 7AG 7BG 7CG 7FG 7QG 7NG 7PG 71G 72G 73G 8GG 8HG)	41A5329	1

9704 Keyboard (Lenovo Enhanced Perf, USB Preferred -- with hub)	FRU#	CRU Tier
US English (models)	41A4961	1
Arabic (models)	41A4962	1
Arabic/French (models)	41A4963	1
Belgian/French (models)	41A4964	1
Belgium English (models)	41A4965	1
Brazilian Portuguese (models)	41A4966	1
Bulgarian (models)	41A4967	1
Chinese/US (models)	41A4968	1
Czech (ABB) (models)	41A4969	1
Danish (models)	41A4970	1
Dutch (models)	41A4971	1
French (models)	41A4972	1
French Canadian (models)	41A4973	1
French Canadian (models)	41A4974	1
German (models)	41A4975	1
Greek (models)	41A4976	1
Greek/US (models)	41A5078	1
Hebrew (models)	41A4977	1
Hungarian (models)	41A4978	1
Iceland (models)	41A4979	1
Italy (models)	41A4980	1
Japanese (models)	41A4981	1
Korean (models)	41A4982	1
LA Spanish (models)	41A4983	1
Norwegian (models)	41A4984	1
Polish (models)	41A4985	1
Portuguese (models)	41A4986	1
Romanian (models)	41A4987	1
Russian/Cyrillic (models)	41A4988	1
Serbian/Cyrillic (models)	41A4989	1
Slovak (models)	41A4990	1
Spanish (models)	41A4991	1
Swedish/Finnish (models)	41A4992	1
Swiss French/German (models)	41A4993	1
Thailand (models)	41A4994	1
Turkish (models)	41A4995	1
Turkish (models)	41A4996	1
UK English (models)	41A4997	1

9704 Keyboard (Lenovo Enhanced Perf, USB Preferred -- with hub)	FRU#	CRU Tier
US Euro (models)	41A4998	1
Slovenian (models)	41A4999	1

9704 Keyboard (Lenovo Fingerprint Reader USB)	FRU#	CRU Tier
US English (models)	41A5248	1
Arabic (models)	41A5249	1
Arabic/French (models)	41A5250	1
Belgian French (models)	41A5251	1
Belgium English (models)	41A5252	1
Brazilian Portuguese (models)	41A5253	1
Bulgarian (models)	41A5254	1
Chinese/US (models)	41A5255	1
Czech (ABB) (models)	41A5256	1
Danish (models)	41A5257	1
Dutch (models)	41A5258	1
French (models)	41A5259	1
French Canadian (models)	41A5260	1
French Canadian (models)	41A5261	1
German (models)	41A5262	1
Greek (models)	41A5263	1
Greek/US (models)	41A5264	1
Hebrew (models)	41A5265	1
Hungarian (models)	41A5266	1
Iceland (models)	41A5267	1
Italy (models)	41A5268	1
Japanese (models)	41A5269	1
Korean (models)	41A5270	1
LA Spanish (models)	41A5271	1
Norwegian (models)	41A5272	1
Polish (models)	41A5273	1
Portuguese (models)	41A5274	1
Romanian (models)	41A5276	1
Russian/Cyrillic (models)	41A5277	1
Serbian/Cyrillic (models)	41A5278	1
Slovak (models)	41A5279	1
Spanish (models)	41A5280	1
Swedish/Finnish (models)	41A5281	1
Swiss French/German (models)	41A5282	1

9704 Keyboard (Lenovo Fingerprint Reader USB)	FRU#	CRU Tier
Thailand (models)	41A5283	1
Turkish (models)	41A5284	1
Turkish (models)	41A5285	1
UK English (models)	41A5286	1
US Euro (models)	41A5287	1
Slovenian (models)	41A5288	1

9704 mice	FRU#	CRU
Optical Wheel Mouse (400DPI, USB) (all models)	41U3013	1
Optical Wheel Mouse (400DPI, USB) (all models)	41U3030	1
PS/2 Three Button ball mouse (41R0017) (models)	41R0018	1

9704 Adapters and miscellaneous FRUs	FRU#	CRU
USB Memory Key (models)	43R2296	2
USB Memory Key - 1G RoW (models 7AG 7AM 7AA 7AQ 7AT 7AJ AFP AGP)	41U4978	1
Soft Modem V.90/V.44 SFF (models CTO)	46R4220	2
Internal USB Memory Card Reader Slim (models CTO)	45R1885	1
ATI HD 2400PRO 128MB 64BIT DMS59 LP (models)	46R4159	2
ATI HD 2400XT 256MB 64BIT DMS59 ATX (models)	46R4160	2
ADD2 DVI Adapter,LP (HDCP) (models)	43C0258	2
DVI-I connection Adapter Full Height (models 7NG 7PG 72G 73G)	39J9334	2
DVI-I connection Adapter Low Profile (models 7NG 7PG 8TM 8TA 8TQ 8TT 8TJ 72G 73G)	39J9334	2
Speaker Power brick - US, Canada, LA low voltage, ASEAN (models ABU AEC AHS AJS ALU AMU ANU BDU APU ASA AUA A9A B2A B3A BHA BJA BKA BLA BFU BRU BSU 8SA)	89P8571	1
Speaker Power brick - LA high voltage (non-APU) (models)	89P8575	1
Speaker Power brick - China, Thailand (models AEC 7AT A2T A4T A6T AQT AST AUT BGC B2T BHT BJT BKT BLT 8ST)	89P8581	1
Speaker Power brick - Japan (models 7AJ AVJ ASJ AUJ AWJ A3J A5J A7J A8J A9J B2J B3J BMJ BPJ BQJ 8TJ 8SJ)	89P8577	1
Speaker Power brick - Brazil (models)	89P8583	1
Speaker Power brick - Argentina (models)	41A4901	1
Speaker Power brick - ANZ (models AVM A2M A4M A6M BAM BBM ASM AUM B1M B2M B3M BHM BJM BKM 8SM)	89P8579	1
Speaker Brick - Korea (models ASK AUK)	41A4903	1
Speaker Brick - Hong Kong, EMEA (models 7QG 7NG 7PG 71G 72G 73G 8GG 8HG)	89P8573	1
Speaker Brick - Taiwan (models BEV)	41A4905	1
Speaker Power brick - India, South Africa (models 7AQ AQQ ASQ AUQ B2Q B3Q 8SQ 8TQ)	89P8585	1
Dongle DMS Dule DMS-59 to dual VGA Cable (models)	42Y8181	2
Dongle DMS Dule DMS-59 to dual DVI Cable (models)	41X6398	2

9704 Line Cords	FRU#	CRU
Line cord - US (models ABU 7AA 7AT AJS AHS 7BG 7CG ALU ALF AMU AMF ANU ANF BDU BDF APU APF ASA AUA A9A A2A AQA AKF B2A B3A BHA BJA BKA BLA BFU BRU BSU B2T BHT BJT BKT BLT B1M B2M B3M BHM BJM BKM BGC 7QG 7NG 7PG 8SM 8SA 8ST 71G 72G 73G 8GG 8HG)	41R3184	1
Line cord - US (models ABU 7AA 7AT AJS AHS 7BG 7CG ALU ALF AMU AMF ANU ANF BDU BDF APU APF ASA AUA A9A A2A AQA AKF B2A B3A BHA BJA BKA BLA BFU BRU BSU B2T BHT BJT BKT BLT B1M B2M B3M BHM BJM BKM BGC 7QG 7NG 7PG 8SM 8SA 8ST 71G 72G 73G 8GG 8HG)	41R3185	1
Line cord - China (models AEC)	41R3256	1
Line cord - China (models AEC)	41R3257	1
Line cord - Brazil (models AFP AGP)	41R3270	1
Line cord - Brazil (models AFP AGP)	41R3271	1
Line cord - LA High Volt APU (models AJY AHY)	41R3176	1
Line Cord - LA High Volt APU (models AJY AHY)	41R3177	1
Line Cord - Korea (models)	41R3260	1
Line Cord - Korea (models)	41R3261	1
Line Cord - UK, Ireland, Singapore, Malaysia, Brunei (models ABU 7AA A2A AQA ASA AUA A9A B2A B3A BHA BJA BKA BLA)	41R3224	1
Line Cord - UK, Ireland, Singapore, Malaysia, Brunei (models ABU 7AA A2A AQA ASA AUA A9A B2A B3A BHA BJA BKA BLA)	41R3225	1
Line Cord - Taiwan (models)	41R3278	1
Line Cord - Taiwan (models)	41R3279	1
Line Cord - Italy (models 7AG AJS AHS ASA AUA A9A A2A AQA B2A B3A BHA BJA BKA BLA 7QG 7NG 7PG 71G 72G 73G)	41R3232	1
Line Cord - Italy (models 7AG AJS AHS ASA AUA A9A A2A AQA B2A B3A BHA BJA BKA BLA 7QG 7NG 7PG 71G 72G 73G)	41R3233	1
Line Cord - Indonesia, Laos, Cambodia, and Vietnam (models 7AA 7BG 7CG 7FG 7QG 7NG 7PG 71G 72G 73G 8GG 8HG)	41R3208	1
Line Cord - Indonesia, Laos, Cambodia, and Vietnam (models 7AA 7BG 7CG 7FG 7QG 7NG 7PG 71G 72G 73G 8GG 8HG)	41R3209	1
Line Cord - Denmark (models 7AA 7BG 7CG 7FG 7QG 7NG 7PG 71G 72G 73G 8GG 8HG)	41R3212	1
Line Cord - Denmark (models 7AA 7BG 7CG 7FG 7QG 7NG 7PG 71G 72G 73G 8GG 8HG)	41R3213	1
Line Cord - Switzerland (models 7AA 7BG 7CG 7FG 7QG 7NG 7PG 71G 72G 73G 8GG 8HG)	41R3228	1
Line Cord - Switzerland (models 7AA 7BG 7CG 7FG 7QG 7NG 7PG 71G 72G 73G 8GG 8HG)	41R3229	1
Line Cord - Israel (models 7AA 7BG 7CG 7FG 7QG 7NG 7PG 71G 72G 73G 8GG 8HG)	41R3236	1
Line Cord - Israel (models 7AA 7BG 7CG 7FG 7QG 7NG 7PG 71G 72G 73G 8GG 8HG)	41R3237	1
Line Cord - South Africa (models 7AG 7AM 7AA AVM A2M A2A A4M A4A A6M A6A BAM BBM AQA ASM AUM ASA AUA A9A B1M B2M B3M BHM BJM B2A B3A BHA BJA BKA BLA 7QG 7NG 7PG 71G 72G 73G)	41R3220	1
Line Cord - South Africa (models 7AG 7AM 7AA AVM A2M A2A A4M A4A A6M A6A BAM BBM AQA ASM AUM ASA AUA A9A B1M B2M B3M BHM BJM B2A B3A BHA BJA BKA BLA 7QG 7NG 7PG 71G 72G 73G)	41R3221	1
Line Cord - India (models 7AQ AQQ ASQ B2Q B3Q 8SQ 8TQ)	41R3341	1
Line Cord - Japan (models AVJ ASJ AUQ AUJ B2J B3J BMJ BPJ BQJ 8SJ 8TJ)	41R3248	1

9704 Line Cords	FRU#	CRU
Line Cord - ANZ (models AVM A2M A4M A6M BAM BBM ASM AUM B1M B2M B3M BHM BJM)	41R3196	1
Line Cord - Japan (models AVJ ASJ AUQ AUJ B2J B3J BMJ BPJ BQJ 8SJ 8TJ)	41R3249	1
Line Cord - ANZ (models AVM A2M A4M A6M BAM BBM ASM AUM B1M B2M B3M BHM BJM)	41R3197	1
Line Cord - India (models 7AQ AQQ ASQ B2Q B3Q 8SQ 8TQ)	41R3175	1

9704 Windows XP Home Recovery CDs	FRU#	CRU
US/UK/AP/TH (models)	TBD	1
FR/CF (models)	TBD	1
GR (models)	TBD	1
IT (models)	TBD	1
BR (models)	TBD	1
SP/LA (models)	TBD	1
DK (models)	TBD	1
NL (models)	TBD	1
AE (models)	TBD	1
SV (models)	TBD	1
HE (models)	TBD	1
FI (models)	TBD	1
NO (models)	TBD	1
PL (models)	TBD	1
PO (models)	TBD	1
RU (models)	TBD	1
RE (models)	TBD	1
HU (models)	TBD	1
CZ (models)	TBD	1
TR (models)	TBD	1
GK (models)	TBD	1
Japanese (models)	TBD	1
Simplified Chinese (models)	TBD	1
Taiwan-TC (models)	TBD	1
Hong Kong-TC (models)	TBD	1
Korean (models)	TBD	1

9704 Windows XP Pro Recovery CDs	FRU#	CRU
US English (models 7BG 7CG ALU AMU ANU BDU APU AVM A2M A2A A4M A4A A6M A6A BAM BBM 7FG AKF 71G 72G 73G)	45R0756	1
French (models 7BG 7CG AMF ANF BDF APF 7FG)	45R0759	1
German (models 7BG 7CG 7FG 71G 72G 73G)	45R0760	1

9704 Windows XP Pro Recovery CDs	FRU#	CRU
Italian (models 7BG 7CG 7FG 71G 72G 73G)	45R0762	1
Brazilian Portuguese (models)	45R0763	1
Spanish (models 7BG 7CG 7FG 71G 72G 73G)	45R0761	1
Dutch (models 7BG 7CG 7FG 71G 72G 73G)	45R0767	1
Swedish (models 7BG 7CG 7FG 71G 72G 73G)	45R0765	1
Hebrew (models 7BG 7CG 7FG 71G 72G 73G)	45R2334	1
Norwegian (models 7BG 7CG 7FG 71G 72G 73G)	45R0770	1
Polish (models 7BG 7CG 7FG 71G 72G 73G)	45R0777	1
Portuguese (models 7BG 7CG 7FG 71G 72G 73G)	45R0774	1
Russian (models 7BG 7CG 7FG 71G 72G 73G)	45R0773	1
Russian English (models)	45R2318	1
Hungarian (models 7BG 7CG 7FG 71G 72G 73G)	45R0780	1
DK (models 7BG 7CG 7FG 71G 72G 73G)	45R0764	1
FI (models 7BG 7CG 7FG 71G 72G 73G)	45R0766	1
CZ (models 7BG 7CG 7FG 71G 72G 73G)	45R0776	1
TR (models 7BG 7CG 7FG 71G 72G 73G)	45R0775	1
GK (models 7BG 7CG 7FG 71G 72G 73G)	45R0772	1
SL (models 7BG 7CG 7FG 71G 72G 73G)	45R2326	1
Japanese (models AVJ AWJ A3J A5J A7J A8J BMJ BQJ)	45R0757	1
Simplified Chinese (models)	45R0758	1
Taiwan-TC (models)	45R0768	1
Hong Kong-TC (models)	45R0769	1
Korean (models)	45R0771	1
Multilingual 1 XP-Pro -- EN, NL, FR, GR, IT (models 7BG 7CG 7FG 71G 72G 73G)	45R8246	1
Multilingual 2 XP-Pro -- EN, DK, FI, NO, SV (models 7BG 7CG 7FG 71G 72G 73G)	45R8247	1

9704 Vista Home Basic 32 SP1 Recovery DVDs	FRU#	CRU
English (models)	46R7273	1
Japanese (models)	46R7274	1
Simplified Chinese (models)	46R7275	1
French (models)	46R7276	1
German (models)	46R7277	1
Spanish (models)	46R7278	1
Italian (models)	46R7279	1
Brazilian Portuguese (models)	46R7280	1
Danish (models)	46R7281	1
Swedish (models)	45R9758	1
Finland (models)	45R9759	1
Dutch (models)	45R9760	1

9704 Vista Home Basic 32 SP1 Recovery DVDs	FRU#	CRU
Traditional Chinese (models)	46R7282	1
Hong Kong (models)	46R7283	1
Norwegian (models)	46R7284	1
Korean (models)	45R9764	1
Slovenian (models)	45R9765	1
Greek (models)	45R9766	1
Russian (models)	46R7285	1
Portuguese (models)	45R9768	1
Turkish (models)	45R9769	1
Czech (models)	45R9770	1
Polish (models)	45R9771	1
Russian English (models)	46R7286	1
Arabic Localized (models)	45R9773	1
Hebrew (models)	45R9774	1
Hungarian (models)	45R9775	1
Slovakian (models)	45R9776	1

9704 Vista Business 32 SP1 Recovery DVDs	FRU#	CRU
English (models 7QG 7NG 7PG 8SM 8SA 8SQ 8GG 8HG)	46R7287	1
Japanese (models 8SJ)	46R7288	1
Simplified Chinese (models)	46R7289	1
French (models 7QG 7NG 7PG 8GG 8HG)	46R7290	1
German (models 7QG 7NG 7PG 8GG 8HG)	46R7291	1
Spanish (models 7QG 7NG 7PG 8GG 8HG)	46R7292	1
Italian (models 7QG 7NG 7PG 8GG 8HG)	46R7293	1
Brazilian Portuguese (models AFP AGP)	46R7294	1
Danish (models 7QG 7NG 7PG 8GG 8HG)	46R7295	1
Swedish (models 7QG 7NG 7PG 8GG 8HG)	45R9786	1
Finland (models 7QG 7NG 7PG 8GG 8HG)	45R9787	1
Dutch (models 7QG 7NG 7PG 8GG 8HG)	45R9788	1
Traditional Chinese (models BEV)	46R7296	1
Hong Kong (models)	46R7297	1
Norwegian (models 7QG 7NG 7PG 8GG 8HG)	46R7298	1
Korean (models ASK AUK)	45R9792	1
Slovenian (models 7QG 7NG 7PG 8GG 8HG)	45R9793	1
Greek (models 7QG 7NG 7PG 8GG 8HG)	45R9794	1
Russian (models 7QG 7NG 7PG 8GG 8HG)	45R9795	1
Portuguese (models 7QG 7NG 7PG 8GG 8HG)	45R9796	1
Turkish (models 7QG 7NG 7PG 8GG 8HG)	45R9797	1

9704 Vista Business 32 SP1 Recovery DVDs	FRU#	CRU
Czech (models 7QG 7NG 7PG 8GG 8HG)	45R9798	1
Polish (models 7QG 7NG 7PG 8GG 8HG)	45R9799	1
Russian English (models 7QG 7NG 7PG 8GG 8HG)	46R7300	1
Arabic Localized (models 7QG 7NG 7PG 8GG 8HG)	45R9801	1
Hebrew (models 7QG 7NG 7PG 8GG 8HG)	45R9802	1
Romanian (models 7QG 7NG 7PG 8GG 8HG)	45R9803	1
Hungarian (models 7QG 7NG 7PG 8GG 8HG)	45R9804	1
Slovakian (models 7QG 7NG 7PG 8GG 8HG)	45R9805	1
Serbian-Latin (models 7QG 7NG 7PG 8GG 8HG)	45R9806	1

9704 Vista VHP SP1 Recovery DVDs	FRU#	CRU
English (models)	46R7315	1
Japanese (models)	46R7316	1
Simplified Chinese (models)	46R7317	1
French (models)	46R7318	1
German (models)	46R7319	1
Spanish (models)	46R7320	1
Italian (models)	46R7321	1
Brazilian Portuguese (models)	46R7322	1
Danish (models)	46R7323	1
Swedish (models)	45R9844	1
Finland (models)	45R9845	1
Dutch (models)	45R9846	1
Traditional Chinese (models)	46R7324	1
Hong Kong (models)	46R7325	1
Norwegian (models)	46R7326	1
Korean (models)	45R9850	1
Slovenian (models)	45R9851	1
Greek (models)	45R9852	1
Russian (models)	46R7327	1
Portuguese (models)	45R9854	1
Turkish (models)	45R9855	1
Czech (models)	45R9856	1
Polish (models)	45R9857	1
Russian English (models)	46R7328	1
Arabic Localized (models)	45R9859	1
Hebrew (models)	45R9860	1
Romanian (models)	45R9861	1
Hungarian (models)	45R9862	1

9704 Vista VHP SP1 Recovery DVDs	FRU#	CRU
Slovakian (models)	45R9863	1
Serbian-Latin (models)	45R9864	1

9704 Vista Business 64 SP1 Recovery DVDs	FRU#	CRU
English (models)	46R7301	1
Russian English (models)	46R7302	1
French (models)	46R7303	1
German (models)	46R7304	1
Spanish (models)	46R7305	1
Brazilian Portuguese (models)	46R7306	1
Italian (models)	46R7307	1
Japanese (models)	46R7308	1
Norwegian (models)	46R7309	1
Swedish (models)	45R9816	1
Danish (models)	45R9817	1
Dutch (models)	45R9818	1
Czech (models)	46R7310	1
Finnish (models)	46R7311	1
Polish (models)	46R7312	1
Russian (models)	45R9822	1
Turkish (models)	45R9823	1
Hungarian (models)	45R9824	1
Greek (models)	45R9825	1
Simplified Chinese (models)	46R7313	1
Taiwan (models)	45R9827	1
HongKong (models)	45R9828	1
Korea (models)	45R9829	1
Slovenian (models)	46R7314	1
Portuguese (models)	45R9831	1
Arabic Localized (models)	45R9832	1
Hebrew (models)	45R9833	1
Slovakian (models)	45R9834	1

9704 Vista Ultimate 32 SP1 Recovery DVDs	FRU#	CRU
English (models)	46R7329	1
Japanese (models)	46R7330	1
Simplified Chinese (models)	46R7331	1
French (models)	46R7332	1
German (models)	46R7333	1

9704 Vista Ultimate 32 SP1 Recovery DVDs	FRU#	CRU
Spanish (models)	46R7334	1
Italian (models)	46R7335	1
Brazilian Portuguese (models)	46R7336	1
Danish (models)	46R7337	1
Swedish (models)	45R9874	1
Finland (models)	45R9875	1
Dutch (models)	45R9876	1
Traditional Chinese (models)	46R7338	1
Hong Kong (models)	46R7339	1
Norwegian (models)	46R7340	1
Korean (models)	45R9880	1
Slovenian (models)	45R9881	1
Greek (models)	45R9882	1
Russian (models)	46R7341	1
Portuguese (models)	45R9884	1
Turkish (models)	45R9885	1
Czech (models)	45R9886	1
Polish (models)	45R9887	1
Russian English (models)	46R7342	1
Arabic Localized (models)	45R9889	1
Hebrew (models)	45R9890	1
Hungarian (models)	45R9891	1
Slovakian (models)	45R9892	1

9704 Vista Starter 32 Recovery DVDs	FRU#	CRU
English (models)	46R5059	1

Machine Type 9708



Item #	9708 FRUs	FRU#	CRU Tier
2	Microprocessor, Celeron 420 CONROE-L 800/1600MHZ-512K,LGA, EM64T (models)	43C3835	N
2	Microprocessor, Celeron 430 CONROE-L 800/1800MHZ-512K,LGA, EM64T (models)	43C1964	N
2	Microprocessor, Celeron 440 CONROE-L 800/2000MHZ-512K,LGA, EM64T (models)	43C1965	N
2	Microprocessor, Pentium Dual-core E2140 CONROE-L 800/1600MHZ-1M, LGA, EM64T (models)	43C1967	N
2	Microprocessor, Pentium Dual-core E2160 CONROE-L 800/1800MHZ-1M, LGA, EM64T (models)	43C1968	N
2	Microprocessor, Core 2 Duo E4400 L2 CONROE 800/2000MHZ-2M, LGA, EM64T (models)	43C2056	N
2	Microprocessor, Core 2 Duo E6400 B2 CONROE 1066/2130MHZ-2M, LGA, EM64T L2 Value (models)	41X2496	N
2	Microprocessor, Pentium Dual-core E2200 CONROE-L 800/2200MHZ-1M, LGA, EM64T - NPI (models)	45C5349	N
2	Microprocessor, Pentium Dual-core E2180 CONROE-L 800/2000MHZ-1M, LGA, EM64T - NPI (models)	45C1773	N
2	Microprocessor, Pentium Dual-core E2220 CONROE-L 800/2400MHZ-1M, LGA, EM64T - NPI (models)	45C1774	N
2	Microprocessor, Core 2 Duo E4600 M0 CONROE 800/2400MHZ-2M, LGA, EM64T - NPI (models)	45C5282	N
2	Microprocessor, Core 2 Duo E4500 M0 CONROE 800/2200MHZ-2M, LGA, EM64T (models)	43C6305	N

Item #	9708 FRUs	FRU#	CRU Tier
2	Microprocessor, Core 2 Duo E6850 G0 CONROE 1333/3000MHZ-4M, LGA, EM64T (models)	43C1694	N
2	Microprocessor, Core 2 Duo E6750 G0 CONROE 1333/2660MHZ-4M, LGA, EM64T (models)	43C1693	N
2	Microprocessor, Core 2 Duo E6550 G0 CONROE 1333/2330MHZ-4M, LGA, EM64T (models)	43C3833	N
2	Microprocessor, Core 2 Quad G-0 Q6700 KENTSFIELD 1066/2660MHZ-8M (models)	43C6309	N
2	Microprocessor, Core 2 Quad G-0 Q6600 KENTSFIELD 1066/2400MHZ-8M (models)	43C1695	N
2	Microprocessor, Core 2 Duo E8500 WOLFDAL E 1333/3160MHZ-6M (models)	45C7735	N
2	Microprocessor, Core 2 Duo E8400 WOLFDAL E 1333/3000MHZ-6M (models)	45C7736	N
2	Microprocessor, Core 2 Duo E8200 WOLFDAL E 1333/2660MHZ-6M (models)	45C7738	N
2	Microprocessor, Core 2 Duo E8190 WOLFDAL E 1333/2660MHZ-6M - NON VT/Vpro (models)	45R2568	N
2	Microprocessor, Core 2 Quad Q9550 C-1 YORKFIELD 2.83GHz 1333MHZ FSB 12M L2 (models)	45C7739	N
2	Microprocessor, Core 2 Quad Q9450 C-1 YORKFIELD 2.66GHz 1333MHZ FSB 12M L2 (models)	45C7740	N
2	Microprocessor, Core 2 Quad Q9300 M-1 YORKFIELD 2.5GHz 1333MHZ FSB 6M L2 (models)	45C7741	N
2	Microprocessor, Core 2 Duo E8300 C-0 WOLFDAL E 2.83GHz 1333MHZ FSB 6M L2 (models)	45C7737	N
2	Microprocessor, Core 2 Duo E7300 M-0 2.66GHz 1066MHz FSB 3M L2 (models)	46R1622	N
2	Microprocessor, Core 2 Duo E7200 M-0 2.53GHz 1066MHz FSB 3M L2 (models)	45R8337	N
2	Microprocessor, Core 2 Duo E4700 G-0 2.6GHz 800MHz FSB 2M L2 (models)	45R5786	N
2	Microprocessor, Celeron Dual Core E1400 M-0 2.0GHz 800MHz FSB 512K L2 (models)	45R8339	N
2	Microprocessor, Celeron Dual Core E1200 M-0 1.6GHz 800MHz FSB 512K L2, LGA, EM64T - NPI (models)	45R8341	N
2	Microprocessor, Core 2 Duo E8600 E-0 WOLFDAL E 3.33GHz 1333MHZ FSB 6M L2 (models)	46R8640	N
3	Memory module, 512 MB PC-5300 (667MHz) DDR2 SDRAM (models)	41X4255	2
3	Memory module, 1 GB PC-5300 (667MHz) DDR2 SDRAM (models)	41X4256	2
3	Memory module, 2 GB PC-5300 (667MHz) DDR2 SDRAM (models)	41X4257	2
3	Memory module, 512 MB PC2-6400 (800MHz) DDR2 SDRAM (models)	41X1079	2
3	Memory module, 1GB PC-6400 (800MHz) DDR2 SDRAM (models)	41X1080	2
3	Memory module, 2GB PC-6400 (800MHz) DDR2 SDRAM (models)	41X1081	2
4	DVD-ROM Drive - 16x/48x - SATA Vista & non-Vista (models)	41N3325	2
4	DVD-ROM Drive - DVD-ROM/CD-RW Combo Drive - 48x/32x/48x/16x - SATA Vista & non-Vista (models)	42Y9353	2
4	DVD-ROM Drive - DVD-RW/CD-RW Rambo 8 - SATA Vista & non-Vista (models)	43C1042	2
5	Diskette drive, 3.5" 1.44MB 2 Mode FDD with Bezel and cable (models)	40Y9107	2
5	Diskette drive, 3.5" 1.44MB 2 Mode FDD with Bezel and cable (models)	40Y9105	2
6	Bezel assembly without IBM mark (all models)	41R6243	2

Item #	9708 FRUs	FRU#	CRU Tier
7	Power switch/LED assembly (all models)	41N5284	2
8	Speaker assembly, soldered terminals (all models)	39P5023	2
9	Front audio/USB assembly (all models)	41N8054	2
10	Hard disk drive, SATA 80GB 7200RPM/3Gb/8MB (models)	40Y9034	2
10	Hard disk drive, SATA 160GB 7200RPM/3Gb/8MB (models)	40Y9035	2
10	Hard disk drive, SATA 320GB 7200rpm SATA/8MB (models)	87H4891	2
11	System board , Intel G31 mATX GA Level (models)	53Y3282	N
12	Fan, 4 Pin System Fan (all models)	41R6269	2
13	Power supply, ATX 280W Power supply; Robust; for all countries except for JP (models)	41A9684	2
13	Power supply, ATX 280W 80% power supply;for all countries (models)	41A9665	2
13	Power supply, ATX 310W Power supply Robust; for all countries (models)	41A9726	2

The FRUs listed in the following tables are not illustrated.

9708 FRUs	FRU#	CRU Tier
Shield, 5.25 EMC (all models)	41N8080	2
Shield, diskette drive EMC (all models)	41N8078	2
Cable, Diskette drive (RoHs) (all models)	41A7182	2
Cover, left side (all models)	41N8050	2
Retainer, Card Reader (all models)	41R2913	2
Fan, front (all models)	41R4791	2
Optional HDD Bracket Asm, without 4Pin cable (all models)	41R6106	2
Intrusion Switch asm (all models)	41R6116	2
Cable, SATA 250mm (RoHS) (all models)	43N9012	2
Cable, SATA 457mm (RoHS) (all models)	43N9013	2
Hard disk drive tray (all models)	41R6291	2
Planer shield, Atx 946, with usb number (all models)	41R6378	N
Temperature Sense cable (460 mm) (all models)	41R2509	2
Assembly Chassis Without IBM Mark Atlantic (all models)	41R6408	N
Fru,Tamdhu chassis primary HDD cage (all models)	45K6272	1
Fru,Tamdhu ruber foot(For acoustic improvement) (all models)	45K6278	2
ODD/FDD/Card reader (all models)	43N9351	2

9708 Keyboard (Preferred Pro Fullsize PS/2)	FRU#	CRU Tier
US English (models)	41A5039	1
Arabic (models)	41A5040	1
Arabic/French (models)	41A5041	1
Belgian French (models)	41A5042	1

9708 Keyboard (Preferred Pro Fullsize PS/2)	FRU#	CRU Tier
Belgium English (models)	41A5043	1
Brazilian Portuguese (models)	41A5044	1
Bulgarian (models)	41A5045	1
Chinese/US (models)	41A5046	1
Czech (ABB) (models)	41A5047	1
Danish (models)	41A5048	1
Dutch (models)	41A5049	1
French (models)	41A5050	1
French Canadian (models)	41A5051	1
French Canadian (models)	41A5052	1
German (models)	41A5053	1
Greek (models)	41A5054	1
Greek/US (models)	41A5080	1
Hebrew (models)	41A5055	1
Hungarian (models)	41A5056	1
Iceland (models)	41A5057	1
Japanese (models)	41A5058	1
Korean (models)	41A5059	1
LA Spanish (models)	41A5060	1
Italian (models)	41A5061	1
Norwegian (models)	41A5062	1
Polish (models)	41A5063	1
Portuguese (models)	41A5064	1
Romanian (models)	41A5065	1
Russian/Cyrillic (models)	41A5066	1
Serbian/Cyrillic (models)	41A5067	1
Slovak (models)	41A5068	1
Spanish (models)	41A5069	1
Swedish/Finnish (models)	41A5070	1
Swiss French/German (models)	41A5071	1
Thailand (models)	41A5072	1
Turkish (models)	41A5073	1
Turkish (models)	41A5074	1
UK English (models)	41A5074	1
US Euro (models)	41A5075	1
Slovenian (models)	41A5077	1

9708 Keyboard (Lenovo USB Preferred -- without hub)	FRU#	CRU Tier
US English (models AAH ABH ACH)	41A5039	1
Arabic (models)	41A5040	1
Arabic/French (models)	41A5041	1
Belgian/French (models)	41A5042	1
Belgian/English (models)	41A5043	1
Brazilian Portuguese (models)	41A5044	1
Bulgarian (models)	41A5045	1
Chinese/US (models AAB ABB ACB)	41A5046	1
Czech (models)	41A5047	1
Danish (models)	41A5048	1
Dutch (models)	41A5049	1
French (models)	41A5050	1
French Canadian (models)	41A5051	1
French Canadian (models)	41A5052	1
German (models)	41A5053	1
Greek (models)	41A5054	1
Greek/US (models)	41A5080	1
Hebrew (models)	41A5055	1
Hungarian (models)	41A5056	1
Iceland (models)	41A5057	1
Italian (models)	41A5058	1
Japanese (models)	41A5059	1
Korean (models)	41A5060	1
LA Spanish (models)	41A5061	1
Norwegian (models)	41A5062	1
Polish (models)	41A5063	1
Portuguese (models)	41A5064	1
Romanian (models)	41A5065	1
Russian/Cyrillic (models)	41A5066	1
Serbian/Cyrillic (models)	41A5067	1
Slovak (models)	41A5068	1
Spanish (models)	41A5069	1
Swedish/Finnish (models)	41A5070	1
Swiss (models)	41A5071	1
Thailand (models)	41A5072	1
Turkish (models)	41A5073	1
Turkish (models)	41A5074	1
UK English (models)	41A5075	1

9708 Keyboard (Lenovo USB Preferred -- without hub)	FRU#	CRU Tier
US Euro (models)	41A5076	1
Slovenian (models)	41A5077	1

9708 Keyboard (Lenovo USB Preferred -- without hub)	FRU#	CRU Tier
US English (models)	41A5289	1
Arabic (models)	41A5290	1
Arabic/French (models)	41A5291	1
Belgian/French (models)	41A5292	1
Belgian/English (models)	41A5293	1
Brazilian Portuguese (models)	41A5294	1
Bulgarian (models)	41A5295	1
Chinese/US (models)	41A5296	1
Czech (models)	41A5297	1
Danish (models)	41A5298	1
Dutch (models)	41A5299	1
French (models)	41A5300	1
French Canadian (models)	41A5301	1
French Canadian (models)	41A5302	1
German (models)	41A5303	1
Greek (models)	41A5304	1
Greek/US (models)	41A5305	1
Hebrew (models)	41A5306	1
Hungarian (models)	41A5307	1
Iceland (models)	41A5308	1
Italy (models)	41A5309	1
Japanese (models)	41A5310	1
Korean (models ACK ADK)	41A5311	1
LA Spanish (models)	41A5312	1
Norwegian (models)	41A5313	1
Polish (models)	41A5314	1
Portuguese (models)	41A5315	1
Romanian (models)	41A5317	1
Russian/Cyrillic (models)	41A5318	1
Serbian/Cyrillic (models)	41A5319	1
Slovak (models)	41A5320	1
Spanish (models)	41A5321	1
Swedish/Finnish (models)	41A5322	1
Swiss French/German (models)	41A5323	1

9708 Keyboard (Lenovo USB Preferred -- without hub)	FRU#	CRU Tier
Thailand (models ACT ADT)	41A5324	1
Turkish (models)	41A5325	1
Turkish (models)	41A5326	1
UK English (models)	41A5327	1
US Euro (models)	41A5328	1
Slovenian (models)	41A5329	1

9708 Keyboard (Lenovo Enhanced Perf, USB Preferred -- with hub)	FRU#	CRU Tier
US English (models)	41A4961	1
Arabic (models)	41A4962	1
Arabic/French (models)	41A4963	1
Belgian French (models)	41A4964	1
Belgium English (models)	41A4965	1
Brazilian Portuguese (models)	41A4966	1
Bulgarian (models)	41A4967	1
Chinese/US (models)	41A4968	1
Czech (ABB) (models)	41A4969	1
Danish (models)	41A4970	1
Dutch (models)	41A4971	1
French (models)	41A4972	1
French Canadian (models)	41A4973	1
French Canadian (models)	41A4974	1
German (models)	41A4975	1
Greek (models)	41A4976	1
Greek/US (models)	41A5078	1
Hebrew (models)	41A4977	1
Hungarian (models)	41A4978	1
Iceland (models)	41A4979	1
Italy (models)	41A4980	1
Japanese (models)	41A4981	1
Korean (models)	41A4982	1
LA Spanish (models)	41A4983	1
Norwegian (models)	41A4984	1
Polish (models)	41A4985	1
Portuguese (models)	41A4986	1
Romanian (models)	41A4987	1
Russian/Cyrilic (models)	41A4988	1
Serbian/Cyrilic (models)	41A4989	1

9708 Keyboard (Lenovo Enhanced Perf, USB Preferred -- with hub)	FRU#	CRU Tier
Slovak (models)	41A4990	1
Spanish (models)	41A4991	1
Swedish/Finnish (models)	41A4992	1
Swiss French/German (models)	41A4993	1
Thailand (models)	41A4994	1
Turkish (models)	41A4995	1
Turkish (models)	41A4996	1
UK English (models)	41A4997	1
US Euro (models)	41A4998	1
Slovenian (models)	41A4999	1

9708 Keyboard (Lenovo Fingerprint Reader USB)	FRU#	CRU Tier
US English (models)	41A5248	1
Arabic (models)	41A5249	1
Arabic/French (models)	41A5250	1
Belgian French (models)	41A5251	1
Belgium English (models)	41A5252	1
Brazilian Portuguese (models)	41A5253	1
Bulgarian (models)	41A5254	1
Chinese/US (models)	41A5255	1
Czech (ABB) (models)	41A5256	1
Danish (models)	41A5257	1
Dutch (models)	41A5258	1
French (models)	41A5259	1
French Canadian (models)	41A5260	1
French Canadian (models)	41A5261	1
German (models)	41A5262	1
Greek (models)	41A5263	1
Greek/US (models)	41A5264	1
Hebrew (models)	41A5265	1
Hungarian (models)	41A5266	1
Iceland (models)	41A5267	1
Italy (models)	41A5268	1
Japanese (models)	41A5269	1
Korean (models)	41A5270	1
LA Spanish (models)	41A5271	1
Norwegian (models)	41A5272	1
Polish (models)	41A5273	1

9708 Keyboard (Lenovo Fingerprint Reader USB)	FRU#	CRU Tier
Portuguese (models)	41A5274	1
Romanian (models)	41A5276	1
Russian/Cyrilic (models)	41A5277	1
Serbian/Cyrilic (models)	41A5278	1
Slovak (models)	41A5279	1
Spanish (models)	41A5280	1
Swedish/Finnish (models)	41A5281	1
Swiss French/German (models)	41A5282	1
Thailand (models)	41A5283	1
Turkish (models)	41A5284	1
Turkish (models)	41A5285	1
UK English (models)	41A5286	1
US Euro (models)	41A5287	1
Slovenian (models)	41A5288	1

9708 mice	FRU#	CRU Tier
Optical Wheel Mouse (400DPI, USB) (all models)	41U3013	1
Optical Wheel Mouse (400DPI, USB) (all models)	41U3030	1
PS/2 Three Button ball mouse (41R0017) (models)	41R0018	1

9708 Adapters and miscellaneous FRUs	FRU#	CRU
Internal USB Memory Card Reader floppy bay (models)	41R3378	2
Internal USB 20 in 1 Memory CardReader floppy bay (models)	45R8139	2
USB Memory Key (models)	43R2296	2
Soft Modem V.90/V.44 ATX (models CTO)	46R4220	2
ATI HD 2600XT 512MB 128BIT ATX (models)	43C0261	2
IEEE 1394 Firewire Adapter SFF (models)	41D2781	2
Internal USB Memory Card Reader Slim (models)	43C9207	1
USB Memory Key - 1G RoW (models)	41U4978	1
ADD2 DVI Adapter,FH (HDCP) (models)	43C0258	2
ATI HD 2400PRO 128MB 64BIT DMS59 ATX (models)	46R4159	2
ATI HD 2400XT 256MB 64BIT DMS59 ATX (models)	46R4160	2
DVI-I connection Adapter Full Height (models)	39J9334	2
DVI-I connection Adapter Low Profile (models)	39J9334	2
Speaker Power brick - US, Canada, LA low voltage, ASEAN (models)	89P8571	1
Speaker Power brick - LA high voltage (non-APU) (models)	89P8575	1
Speaker Power brick - China, Thailand (models)	89P8581	1
Speaker Power brick - Japan (models)	89P8577	1

9708 Adapters and miscellaneous FRUs	FRU#	CRU
Speaker Power brick - Brazil (models)	89P8583	1
Speaker Power brick - Argentina (models)	41A4901	1
Speaker Power brick - ANZ (models)	89P8579	1
Speaker Brick - Korea (models ACK ADK)	41A4903	1
Speaker Brick - Hong Kong, EMEA (models)	89P8573	1
Speaker Brick - Taiwan (models)	41A4905	1
Speaker Power brick - India, South Africa (models)	89P8585	1
Dongle DMS Dule DMS-59 to dual VGA Cable (models)	42Y8181	2
Dongle DMS Dule DMS-59 to dual DVI Cable (models)	41X6398	2

9708 Power Cords	FRU#	CRU
Line cord - US (models)	41R3184	1
Line cord - US (models)	41R3185	1
Line cord - China (models)	41R3256	1
Line cord - China (models)	41R3257	1
Line cord - Brazil (models)	41R3270	1
Line cord - Brazil (models)	41R3271	1
Line cord - LA High Volt APU (models)	41R3176	1
Line Cord - LA High Volt APU (models)	41R3177	1
Line Cord - Korea (models)	41R3260	1
Line Cord - Korea (models)	41R3261	1
Line Cord - UK, Ireland, Singapore, Malaysia, Brunei (models)	41R3224	1
Line Cord - UK, Ireland, Singapore, Malaysia, Brunei (models)	41R3225	1
Line Cord - Taiwan (models)	41R3278	1
Line Cord - Taiwan (models)	41R3279	1
Line Cord - Italy (models)	41R3232	1
Line Cord - Italy (models)	41R3233	1
Line Cord - Indonesia, Laos, Cambodia, and Vietnam (models)	41R3208	1
Line Cord - Indonesia, Laos, Cambodia, and Vietnam (models)	41R3209	1
Line Cord - Denmark (models)	41R3212	1
Line Cord - Denmark (models)	41R3213	1
Line Cord - Switzerland (models)	41R3228	1
Line Cord - Switzerland (models)	41R3229	1
Line Cord - Israel (models)	41R3236	1
Line Cord - Israel (models)	41R3237	1
Line Cord - South Africa (models)	41R3220	1
Line Cord - South Africa(models)	41R3221	1
Line Cord - India(models)	41R3341	1
Line Cord - India (models)	41R3175	1

9708 Power Cords	FRU#	CRU
Line Cord - Japan (models)	41R3248	1
Line Cord - Japan (models)	41R3249	1
Line Cord - ANZ (models)	41R3196	1
Line Cord - ANZ (models)	41R3197	1
Line Cord - Hong Kong (models)	41R3224	1
Line Cord - Hong Kong (models)	41R3225	1

9708 Windows XP Home Recovery CDs	FRU#	CRU
US/UK/AP/TH (models)	TBD	1
FR/CF (models)	TBD	1
GR (models)	TBD	1
IT (models)	TBD	1
BR (models)	TBD	1
SP/LA (models)	TBD	1
DK (models)	TBD	1
NL (models)	TBD	1
AE (models)	TBD	1
SV (models)	TBD	1
HE (models)	TBD	1
FI (models)	TBD	1
NO (models)	TBD	1
PL (models)	TBD	1
PO (models)	TBD	1
RU (models)	TBD	1
RE (models)	TBD	1
HU (models)	TBD	1
CZ (models)	TBD	1
TR (models)	TBD	1
GK (models)	TBD	1
Japanese (models)	TBD	1
Simplified Chinese (models)	TBD	1
Taiwan-TC (models)	TBD	1
Hong Kong-TC (models)	TBD	1
Korean (models)	TBD	1

9708 Windows XP Pro Recovery CDs	FRU#	CRU
US/UK/AP/TH (models)	45R0756	1
FR/CF (models)	45R0759	1
GR (models)	45R0760	1

9708 Windows XP Pro Recovery CDs	FRU#	CRU
IT (models)	45R0762	1
BR (models)	45R0763	1
SP/LA (models)	45R0761	1
DK (models)	45R0764	1
NL (models)	45R0767	1
AE (models)	45R2342	1
SV (models)	45R0765	1
HE (models)	45R2334	1
FI (models)	45R0766	1
NO (models)	45R0770	1
PL (models)	45R0777	1
PO (models)	45R0774	1
RU (models)	45R0773	1
RE (models)	45R2318	1
HU (models)	45R0780	1
CZ (models)	45R0776	1
TR (models)	45R0775	1
GK (models)	45R0772	1
Slovakian (models)	45R2326	1
Japanese (models)	45R0757	1
Simplified Chinese (models)	45R0758	1
Taiwan-TC (models)	45R0768	1
Hong Kong-TC (models)	45R0769	1
Korean (models)	45R0771	1
Multilingual 1 XP-Pro -- EN, NL, FR, GR, IT (models)	45R8246	1
Multilingual 2 XP-Pro -- EN, DK, FI, NO, SV (models)	45R8247	1

9708 Vista Home Basic 32 SP1 Recovery DVDs	FRU#	CRU
English (models)	46R7273	1
Japanese (models)	46R7274	1
Simplified Chinese (models)	46R7275	1
French (models)	46R7276	1
German (models)	46R7277	1
Spanish (models)	46R7278	1
Italian (models)	46R7279	1
Brazilian Portuguese (models)	46R7280	1
Danish (models)	46R7281	1
Swedish (models)	45R9758	1
Finland (models)	45R9759	1

9708 Vista Home Basic 32 SP1 Recovery DVDs	FRU#	CRU
Dutch (models)	45R9760	1
Traditional Chinese (models)	46R7282	1
Hong Kong (models)	46R7283	1
Norwegian (models)	46R7284	1
Korean (models)	45R9764	1
Slovenian (models)	45R9765	1
Greek (models)	45R9766	1
Russian (models)	46R7285	1
Portuguese (models)	45R9768	1
Turkish (models)	45R9769	1
Czech (models)	45R9770	1
Polish (models)	45R9771	1
Russian English (models)	46R7286	1
Arabic Localized (models)	45R9773	1
Hebrew (models)	45R9774	1
Hungarian (models)	45R9775	1
Slovakian (models)	45R9776	1

9708 Vista Business 32 SP1 Recovery DVDs	FRU#	CRU
English (models)	46R7287	1
Japanese (models)	46R7288	1
Simplified Chinese (models)	46R7289	1
French (models)	46R7290	1
German (models)	46R7291	1
Spanish (models)	46R7292	1
Italian (models)	46R7293	1
Brazilian Portuguese (models)	46R7294	1
Danish (models)	46R7295	1
Swedish (models)	45R9786	1
Finland (models)	45R9787	1
Dutch (models)	45R9788	1
Traditional Chinese (models)	46R7296	1
Hong Kong (models)	46R7297	1
Norwegian (models)	46R7298	1
Korean (models)	45R9792	1
Slovenian (models)	45R9793	1
Greek (models)	45R9794	1
Russian (models)	46R7299	1
Portuguese (models)	45R9796	1

9708 Vista Business 32 SP1 Recovery DVDs	FRU#	CRU
Turkish (models)	45R9797	1
Czech (models)	45R9798	1
Polish (models)	45R9799	1
Russian English (models)	46R7300	1
Arabic Localized (models)	45R9801	1
Hebrew (models)	45R9802	1
Romanian (models)	45R9803	1
Hungarian (models)	45R9804	1
Slovakian (models)	45R9805	1
Serbian-Latin (models)	45R9806	1

9708 Vista VHP SP1 Recovery DVDs	FRU#	CRU
English (models)	46R7315	1
Japanese (models)	46R7316	1
Simplified Chinese (models)	46R7317	1
French (models)	46R7318	1
German (models)	46R7319	1
Spanish (models)	46R7320	1
Italian (models)	46R7321	1
Brazilian Portuguese (models)	46R7322	1
Danish (models)	46R7323	1
Swedish (models)	45R9844	1
Finland (models)	45R9845	1
Dutch (models)	45R9846	1
Traditional Chinese (models)	46R7324	1
Hong Kong (models)	46R7325	1
Norwegian (models)	46R7326	1
Korean (models)	45R9850	1
Slovenian (models)	45R9851	1
Greek (models)	45R9852	1
Russian (models)	46R7327	1
Portuguese (models)	45R9854	1
Turkish (models)	45R9855	1
Czech (models)	45R9856	1
Polish (models)	45R9857	1
Russian English (models)	46R7328	1
Arabic Localized (models)	45R9859	1
Hebrew (models)	45R9860	1
Romanian (models)	45R9861	1

9708 Vista VHP SP1 Recovery DVDs	FRU#	CRU
Hungarian (models)	45R9862	1
Slovakian (models)	45R9863	1
Serbian-Latin (models)	45R9864	1

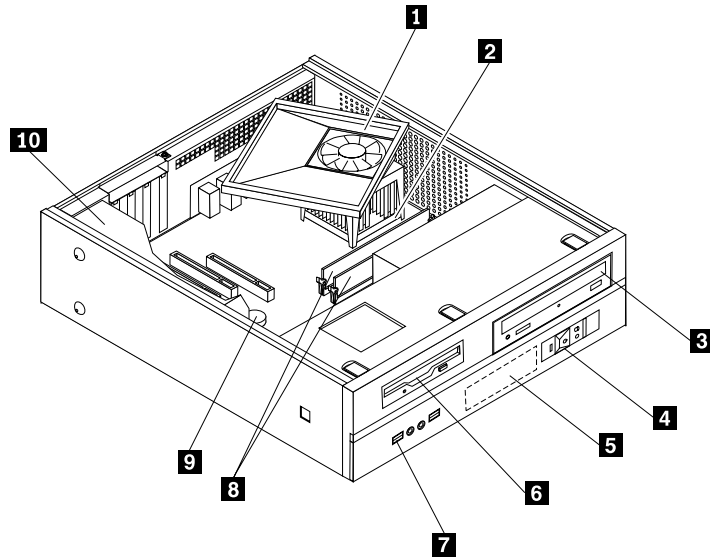
9708 Vista Business 64 SP1 Recovery DVDs	FRU#	CRU
English (models)	46R7301	1
Russian English (models)	46R7302	1
French (models)	46R7303	1
German (models)	46R7304	1
Spanish (models)	46R7305	1
Brazilian Portuguese (models)	46R7306	1
Italian (models)	46R7307	1
Japanese (models)	46R7308	1
Norwegian (models)	46R7309	1
Swedish (models)	45R9816	1
Danish (models)	45R9817	1
Dutch (models)	45R9818	1
Czech (models)	46R7310	1
Finnish (models)	46R7311	1
Polish (models)	46R7312	1
Russian (models)	45R9822	1
Turkish (models)	45R9823	1
Hungarian (models)	45R9824	1
Greek (models)	45R9825	1
Simplified Chinese (models)	46R7313	1
Taiwan (models)	45R9827	1
HongKong (models)	45R9828	1
Korea (models)	45R9829	1
Slovenian (models)	46R7314	1
Portuguese (models)	45R9831	1
Arabic Localized (models)	45R9832	1
Hebrew (models)	45R9833	1
Slovakian (models)	45R9834	1

9708 Vista Ultimate 32 SP1 Recovery DVDs	FRU#	CRU
English (models)	46R7329	1
Japanese (models)	46R7330	1
Simplified Chinese (models)	46R7331	1
French (models)	46R7332	1

9708 Vista Ultimate 32 SP1 Recovery DVDs	FRU#	CRU
German (models)	46R7333	1
Spanish (models)	46R7334	1
Italian (models)	46R7335	1
Brazilian Portuguese (models)	46R7336	1
Danish (models)	46R7337	1
Swedish (models)	45R9874	1
Finland (models)	45R9875	1
Dutch (models)	45R9876	1
Traditional Chinese (models)	46R7338	1
Hong Kong (models)	46R7339	1
Norwegian (models)	46R7340	1
Korean (models)	45R9880	1
Slovenian (models)	45R9881	1
Greek (models)	45R9882	1
Russian (models)	46R7341	1
Portuguese (models)	45R9884	1
Turkish (models)	45R9885	1
Czech (models)	45R9886	1
Polish (models)	45R9887	1
Russian English (models)	46R5089	1
Arabic Localized (models)	46R7342	1
Hebrew (models)	45R9890	1
Hungarian (models)	45R9891	1
Slovakian (models)	45R9892	1

9708 Vista Starter 32 Recovery DVDs	FRU#	CRU
English (models)	46R5059	1

Machine Type 9788



Item #	9788 FRUs	FRU#	CRU
1	Heat Sink/RM Kit 65W/95W Intel (models)	41R6429	2
1	Heat Sink/RM Kit Intel (models)	41N8261	2
2	Microprocessor, Celeron 420 CONROE-L 800/1600MHZ-512K,LGA,EM64T (models)	43C3835	N
2	Microprocessor, Celeron 430 CONROE-L 800/1800MHZ-512K,LGA,EM64T (models)	43C1964	N
2	Microprocessor, Celeron 440 CONROE-L 800/2000MHZ-512K,LGA,EM64T (models)	43C1965	N
2	Microprocessor, Pentium Dual-core E2140 CONROE-L 800/1600MHZ-1M, LGA, EM64T (models)	43C1967	N
2	Microprocessor, Pentium Dual-core E2160 CONROE-L 800/1800MHZ-1M, LGA, EM64T (models)	43C1968	N
2	Microprocessor, Core 2 Duo E4400 L2 CONROE 800/2000MHZ-2M, LGA, EM64T (models)	43C2056	N
2	Microprocessor, Core 2 Duo E6400 B2 CONROE 1066/2130MHZ-2M, LGA, EM64T L2 Value (models)	41X2496	N
2	Microprocessor, Pentium Dual-core E2200 CONROE-L 800/2200MHZ-1M, LGA, EM64T - NPI (models CTO)	45C5349	N
2	Microprocessor, Pentium Dual-core E2180 CONROE-L 800/2000MHZ-1M, LGA, EM64T - NPI (models CTO)	45C1773	N
2	Microprocessor, Pentium Dual-core E2220 CONROE-L 800/2400MHZ-1M, LGA, EM64T - NPI (models CTO)	45C1774	N
2	Microprocessor, Core 2 Duo E4600 M0 CONROE 800/2400MHZ-2M, LGA, EM64T - NPI (models CTO)	45C5282	N
2	Microprocessor, Core 2 Duo E4500 M0 CONROE 800/2200MHZ-2M, LGA, EM64T (models CTO)	43C6305	N
2	Microprocessor, Core 2 Duo E6850 G0 CONROE 1333/3000MHZ-4M, LGA, EM64T (models CTO)	43C1694	N

Item #	9788 FRUs	FRU#	CRU
2	Microprocessor, Core 2 Duo E6750 G0 CONROE 1333/2660MHZ-4M, LGA, EM64T (models CTO)	43C1693	N
2	Microprocessor, Core 2 Duo E6550 G0 CONROE 1333/2330MHZ-4M, LGA, EM64T (models CTO)	43C3833	N
2	Microprocessor, Core 2 Quad G-0 Q6700 KENTSFIELD 1066/2660MHZ-8M (models CTO)	43C6309	N
2	Microprocessor, Core 2 Quad G-0 Q6600 KENTSFIELD 1066/2400MHZ-8M (models CTO)	43C1695	N
2	Microprocessor, Core 2 Duo E8500 WOLFDALÉ 1333/3160MHZ-6M (models CTO)	45C7735	N
2	Microprocessor, Core 2 Duo E8400 WOLFDALÉ 1333/3000MHZ-6M (models CTO)	45C7736	N
2	Microprocessor, Core 2 Duo E8200 WOLFDALÉ 1333/2660MHZ-6M (models CTO)	45C7738	N
2	Microprocessor, Core 2 Duo E8190 WOLFDALÉ 1333/2660MHZ-6M - NON VT/Vpro (models CTO)	45R2568	N
2	Microprocessor, Core 2 Quad Q9550 C-1 YORKFIELD 2.83GHz 1333MHZ FSB 12M L2 (models CTO)	45C7739	N
2	Microprocessor, Core 2 Quad Q9450 C-1 YORKFIELD 2.66GHz 1333MHZ FSB 12M L2 (models CTO)	45C7740	N
2	Microprocessor, Core 2 Quad Q9300 M-1 YORKFIELD 2.5GHz 1333MHZ FSB 6M L2 (models CTO)	45C7741	N
2	Microprocessor, Core 2 Duo E8300 C-0 WOLFDALÉ 2.83GHz 1333MHZ FSB 6M L2 (models CTO)	45C7737	N
2	Microprocessor, Core 2 Duo E7300 M-0 2.66GHz 1066MHz FSB 3M L2 (models CTO)	46R1622	N
2	Microprocessor, Core 2 Duo E7200 M-0 2.53GHz 1066MHz FSB 3M L2 (models CTO)	45R8337	N
2	Microprocessor, Core 2 Duo E4700 G-0 2.6GHz 800MHz FSB 2M L2 (models CTO)	45R5786	N
2	Microprocessor, Celeron Dual Core E1400 M-0 2.0GHz 800MHz FSB 512K L2 (models CTO)	45R8339	N
2	Microprocessor, Celeron Dual Core E1200 M-0 1.6GHz 800MHz FSB 512K L2, LGA, EM64T - NPI (models CTO)	45R8341	N
2	Microprocessor, Core 2 Duo E8600 E-0 WOLFDALÉ 3.33GHz 1333MHZ FSB 6M L2 (models CTO)	46R8640	N
3	DVD-ROM Drive - 16x/48x - SATA Vista & non-Vista (models AAV)	41N3325	2
3	DVD-ROM/CD-RW Combo Drive - 48x/32x/48x/16x - SATA Vista & non-Vista (models)	42Y9353	2
3	DVD-RW/CD-RW Rambo 8 - SATA Vista & non-Vista (models)	43C1042	2
4	Front Power/LED PC, bracket, and cable (all models)	41N8213	2
5	Hard disk drive, SATA 80GB 7200RPM/3Gb/8MB (models)	40Y9034	2
5	Hard disk drive, SATA 160GB 7200RPM/3Gb/8MB (models)	40Y9035	2
5	Hard disk drive, SATA 320GB 7200rpm SATA/8MB (models)	87H4891	2
6	Diskette drive, 3,5", 1.44MB, 2-mode, (w/bezel) (models)	40Y9105	2
6	Diskette drive, 3,5", 1.44MB, 2-mode, (w/bezel) (models)	40Y9107	2
7	Front USB/Audio with bracket (all models)	41N8212	2
8	Memory module, 512 MB PC-5300 (667MHz) DDR2 SDRAM (models)	41X4255	2
8	Memory module, 1 GB PC-5300 (667MHz) DDR2 SDRAM (models)	41X4256	2

Item #	9788 FRUs	FRU#	CRU
8	Memory module, 2 GB PC-5300 (667MHz) DDR2 SDRAM (models)	41X4257	2
8	Memory module, 512 MB PC2-6400 (800MHz) DDR2 SDRAM (models)	41X1079	2
8	Memory module, 1GB PC-6400 (800MHz) DDR2 SDRAM (models)	41X1080	2
8	Memory module, 2GB PC-6400 (800MHz) DDR2 SDRAM (models)	41X1081	2
9	System board,Intel G31 mATX GA Level (models)	53Y3282	N
10	Power supply, 220 Watt Power Supply - Robust; for all countries except for JP (models)	41A9689	N
10	Power supply, 220 Watt Power Supply - Japan;only for JP (models AEJ)	41A9697	2
10	Power supply, 220W 80% Power supply-for all countries (models)	41A9670	2
10	Power supply, 280W TFX 280W PS ,Active PFC,for RockyS-for all countries (models)	41A9705	2

The FRUs listed in the following tables are not illustrated.

9788 FRUs	FRU#	CRU
Planer shield, Atx 946,G31 with usb number (models)	41R6384	N
Cabel, SATA 250mm (RoHS) (models)	43N9012	2
Shield, EMC , Blank 5.25 (models)	41N8271	2
Shield, EMC , Blank diskette drive (models)	41N8273	2
Cover (models)	41N8204	2
Mechanical shell kit (models)	41R6387	N
Bezel kit, without IBM logo (models)	41R6238	2
Miscellaneous hardware kit (all models)	41N8209	2
Hard disk drive bracket assembly (plastic and grommets) (models)	41N8210	2
Hard disk drive fan and bracket asm (models)	41R6325	2
Speaker cable assembly, 600 mm cable length (models)	41N8217	2
Fan duct assembly (models)	41R4808	2
Rear USB 2Ports II LP (R), low profile I/O, 200mm, Rohs (models)	42Y8006	2
Retention module assembly, Intel (models)	41A7139	N
Intrusion switch assembly (models)	41R6208	2
Foot stand (models)	41R4813	1
Cable, diskette drive (models)	41A7147	2
Fru,Tamdhu chassis primary HDD cage (all models)	45K6272	1
Fru,Tamdhu ruber foot(For acoustic improvement) (all models)	45K6278	2
Rear Com2 cable II LP(R), low profile I/O, 250mm, Rohs (models)	42Y8008	2

9788 Keyboard (Lenovo USB Preferred -- without hub)	FRU#	CRU Tier
US English (models)	41A5039	1
Arabic (models)	41A5040	1
Arabic/French (models)	41A5041	1

9788 Keyboard (Lenovo USB Preferred -- without hub)	FRU#	CRU Tier
Belgian/French (models)	41A5042	1
Belgian/English (models)	41A5043	1
Brazilian Portuguese (models)	41A5044	1
Bulgarian (models)	41A5045	1
Chinese/US (models)	41A5046	1
Czech (models)	41A5047	1
Danish (models)	41A5048	1
Dutch (models)	41A5049	1
French (models)	41A5050	1
French Canadian (models)	41A5051	1
French Canadian (models)	41A5052	1
German (models)	41A5053	1
Greek (models)	41A5054	1
Greek/US (models)	41A5080	1
Hebrew (models)	41A5055	1
Hungarian (models)	41A5056	1
Iceland (models)	41A5057	1
Italian (models)	41A5058	1
Japanese (models)	41A5059	1
Korean (models)	41A5060	1
LA Spanish (models)	41A5061	1
Norwegian (models)	41A5062	1
Polish (models)	41A5063	1
Portuguese (models)	41A5064	1
Romanian (models)	41A5065	1
Russian/Cyrillic (models)	41A5066	1
Serbian/Cyrillic (models)	41A5067	1
Slovak (models)	41A5068	1
Spanish (models)	41A5069	1
Swedish/Finnish (models)	41A5070	1
Swiss (models)	41A5071	1
Thailand (models)	41A5072	1
Turkish (models)	41A5073	1
Turkish (models)	41A5074	1
UK English (models)	41A5075	1
US Euro (models)	41A5076	1
Slovenian (models)	41A5077	1

9788 Keyboard (Lenovo USB Preferred -- without hub)	FRU#	CRU Tier
US English (models)	41A5039	1
Arabic (models)	41A5040	1
Arabic/French (models)	41A5041	1
Belgian/French (models)	41A5042	1
Belgian/English (models)	41A5043	1
Brazilian Portuguese (models)	41A5044	1
Bulgarian (models)	41A5045	1
Chinese/US (models)	41A5046	1
Czech (models)	41A5047	1
Danish (models)	41A5048	1
Dutch (models)	41A5049	1
French (models)	41A5050	1
French Canadian (models)	41A5051	1
French Canadian (models)	41A5052	1
German (models)	41A5053	1
Greek (models)	41A5054	1
Greek/US (models)	41A5080	1
Hebrew (models)	41A5055	1
Hungarian (models)	41A5056	1
Iceland (models)	41A5057	1
Italian (models)	41A5058	1
Japanese (models)	41A5059	1
Korean (models)	41A5060	1
LA Spanish (models)	41A5061	1
Norwegian (models)	41A5062	1
Polish (models)	41A5063	1
Portuguese (models)	41A5064	1
Romanian (models)	41A5065	1
Russian/Cyrillic (models)	41A5066	1
Serbian/Cyrillic (models)	41A5067	1
Slovak (models)	41A5068	1
Spanish (models)	41A5069	1
Swedish/Finnish (models)	41A5070	1
Swiss (models)	41A5071	1
Thailand (models)	41A5072	1
Turkish (models)	41A5073	1
Turkish (models)	41A5074	1
UK English (models)	41A5075	1

9788 Keyboard (Lenovo USB Preferred -- without hub)	FRU#	CRU Tier
US Euro (models)	41A5076	1
Slovenian (models)	41A5077	1

9788 Keyboard (Lenovo USB Preferred -- without hub)	FRU#	CRU Tier
US English (models)	41A5289	1
Arabic (models)	41A5290	1
Arabic/French (models)	41A5291	1
Belgian/French (models)	41A5292	1
Belgian/UK (models)	41A5293	1
Brazilian Portuguese (models)	41A5294	1
Bulgarian (models)	41A5295	1
Chinese/US (models)	41A5296	1
Czech(ABB) (models)	41A5297	1
Danish (models)	41A5298	1
Dutch (models)	41A5299	1
French (models)	41A5300	1
French Canadian (models)	41A5301	1
French Canadian (models)	41A5302	1
German (models)	41A5303	1
Greek (models)	41A5304	1
Greek/US (models)	41A5305	1
Hebrew (models)	41A5306	1
Hungarian (models)	41A5307	1
Iceland (models)	41A5308	1
Italian (models)	41A5309	1
Japanese (models)	41A5310	1
Korean (models)	41A5311	1
LA Spanish (models)	41A5312	1
Norwegian (models)	41A5313	1
Polish (models)	41A5314	1
Portuguese (models)	41A5315	1
Romanian (models)	41A5317	1
Russian/Cyrillic (models)	41A5318	1
Serbian/Cyrillic (models)	41A5319	1
Slovak (models)	41A5320	1
Spanish (models)	41A5321	1
Swedish/Finnish (models)	41A5322	1
Swiss French/German (models)	41A5323	1

9788 Keyboard (Lenovo USB Preferred -- without hub)	FRU#	CRU Tier
Thailand (models AET)	41A5324	1
Turkish (models)	41A5325	1
Turkish (models)	41A5326	1
UK English (models)	41A5327	1
US Euro (models)	41A5328	1
Slovenian (models)	41A5329	1

9788 Keyboard (Lenovo Enhanced Perf, USB Preferred -- with hub)	FRU#	CRU Tier
US English (models)	41A4961	1
Arabic (models)	41A4962	1
Arabic/French (models)	41A4963	1
Belgian/French (models)	41A4964	1
Belgian/UK (models)	41A4965	1
Brazilian Portuguese (models)	41A4966	1
Bulgarian (models)	41A4967	1
Chinese/US (models)	41A4968	1
Czech(ABB) (models)	41A4969	1
Danish (models)	41A4970	1
Dutch (models)	41A4971	1
French (models)	41A4972	1
French Canadian (models)	41A4973	1
French Canadian (models)	41A4974	1
German (models)	41A4975	1
Greek (models)	41A4976	1
Greek/US (models)	41A5078	1
Hebrew (models)	41A4977	1
Hungarian (models)	41A4978	1
Iceland (models)	41A4979	1
Italian (models)	41A4980	1
Japanese (models)	41A4981	1
Korean (models)	41A4982	1
LA Spanish (models)	41A4983	1
Norwegian (models)	41A4984	1
Polish (models)	41A4985	1
Portuguese (models)	41A4986	1
Romanian (models)	41A4987	1
Russian/Cyrillic (models)	41A4988	1
Serbian/Cyrillic (models)	41A4989	1

9788 Keyboard (Lenovo Enhanced Perf, USB Preferred -- with hub)	FRU#	CRU Tier
Slovak (models)	41A4990	1
Spanish (models)	41A4991	1
Swedish/Finnish (models)	41A4992	1
Swiss French/German (models)	41A4993	1
Thailand (models)	41A4994	1
Turkish (models)	41A4995	1
Turkish (models)	41A4996	1
UK English (models)	41A4997	1
US Euro (models)	41A4998	1
Slovenian (models)	41A4999	1

9788 Keyboard (Lenovo Fingerprint Reader USB)	FRU#	CRU Tier
US English (models)	41A5248	1
Arabic (models)	41A5249	1
Arabic/French (models)	41A5250	1
Belgian/French (models)	41A5251	1
Belgian/UK (models)	41A5252	1
Brazilian Portuguese (models)	41A5253	1
Bulgarian (models)	41A5254	1
Chinese/US (models)	41A5255	1
Czech(ABB) (models)	41A5256	1
Danish (models)	41A5257	1
Dutch (models)	41A5258	1
French (models)	41A5259	1
French Canadian (models)	41A5260	1
French Canadian (models)	41A5261	1
German (models)	41A5262	1
Greek (models)	41A5263	1
Greek/US (models)	41A5264	1
Hebrew (models)	41A5265	1
Hungarian (models)	41A5266	1
Iceland (models)	41A5267	1
Italian (models)	41A5268	1
Japanese (models)	41A5269	1
Korean (models)	41A5270	1
LA Spanish (models)	41A5271	1
Norwegian (models)	41A5272	1
Polish (models)	41A5273	1

9788 Keyboard (Lenovo Fingerprint Reader USB)	FRU#	CRU Tier
Portuguese (models)	41A5274	1
Romanian (models)	41A5276	1
Russian/Cyrillic (models)	41A5277	1
Serbian/Cyrillic (models)	41A5278	1
Slovak (models)	41A5279	1
Spanish (models)	41A5280	1
Swedish/Finnish (models)	41A5281	1
Swiss French/German (models)	41A5282	1
Thailand (models)	41A5283	1
Turkish (models)	41A5284	1
Turkish (models)	41A5285	1
UK English (models)	41A5286	1
US Euro (models)	41A5287	1
Slovenian (models)	41A5288	1

9788 mice	FRU#	CRU
Optical Wheel Mouse (400DPI, USB) (all models)	41U3013	1
Optical Wheel Mouse (400DPI, USB) (all models)	41U3030	1
PS/2 2 Button Ball Mouse (models)	41R0018	1

9788 Adapters and miscellaneous FRUs	FRU#	CRU
IEEE 1394 Firewire Adapter SFF (models)	41D2781	2
Soft Modem V.90/V.44 SFF (models CTO)	46R4220	2
USB Memory Key - 1G RoW (models)	41U4978	1
Internal USB 20 in 1 Memory CardReader floppy bay (models)	45R8139	2
USB Memory Key (models)	43R2296	2
ATI HD 2400PRO 128MB 64BIT DMS59 LP (models)	43C0259	2
ATI HD 2400XT 256MB 64BIT DMS59 LP (models)	43C0260	2
ADD2 DVI Adapter,LP (HDCP) (models)	43C0258	2
DVI-I connection Adapter Full Height (models)	39J9334	2
DVI-I connection Adapter Low Profile (models)	39J9334	2
Speaker Power brick - US, Canada, LA low voltage,ASEAN (models)	89P8571	1
Speaker Power brick - LA high voltage (non-APU) (models)	89P8575	1
Speaker Power brick - China, Thailand (models)	89P8581	1
Speaker Power brick - Japan (models)	89P8577	1
Speaker Power brick - Brazil (models)	89P8583	1
Speaker Power brick - Argentina (models)	41A4901	1
Speaker Power brick - ANZ (models)	89P8579	1

9788 Adapters and miscellaneous FRUs	FRU#	CRU
Speaker Brick - Korea (models)	41A4903	1
Speaker Brick - Hong Kong, EMEA (models)	89P8573	1
Speaker Brick - Taiwan (models)	41A4905	1
Speaker Power brick - India, South Africa (models)	89P8585	1
Dongle DMS Dule DMS-59 to dual VGA Cable (models)	42Y8181	2
Dongle DMS Dule DMS-59 to dual DVI Cable (models)	41X6398	2

9788 Line Cords	FRU#	CRU
Line cord - US (models)	41R3184	1
Line cord - US (models)	41R3185	1
Line cord - China (models)	41R3256	1
Line cord - China (models)	41R3257	1
Line cord - Brazil (models)	41R3270	1
Line cord - Brazil (models)	41R3271	1
Line cord - LA High Volt APU (models)	41R3176	1
Line Cord - LA High Volt APU (models)	41R3177	1
Line Cord - Korea (models)	41R3260	1
Line Cord - Korea (models)	41R3261	1
Line Cord - UK, Ireland, Singapore, Malaysia, Brunei (models)	41R3224	1
Line Cord - UK, Ireland, Singapore, Malaysia, Brunei (models)	41R3225	1
Line Cord - Taiwan (models)	41R3278	1
Line Cord - Taiwan (models)	41R3279	1
Line Cord - Italy (models)	41R3232	1
Line Cord - Italy (models)	41R3233	1
Line Cord - Indonesia, Laos, Cambodia, and Vietnam (models)	41R3208	1
Line Cord - Indonesia, Laos, Cambodia, and Vietnam (models)	41R3209	1
Line Cord - Denmark (models)	41R3212	1
Line Cord - Denmark (models)	41R3213	1
Line Cord - Switzerland (models)	41R3228	1
Line Cord - Switzerland (models)	41R3229	1
Line Cord - Israel (models)	41R3236	1
Line Cord - Israel (models)	41R3237	1
Line Cord - South Africa (models)	41R3220	1
Line Cord - South Africa (models)	41R3221	1
Line Cord - India (models)	41R3341	1
Line Cord - India (models)	41R3175	1
Line Cord - Japan (models)	41R3248	1
Line Cord - Japan (models)	41R3249	1
Line Cord - ANZ (models)	41R3196	1

9788 Line Cords	FRU#	CRU
Line Cord - ANZ (models)	41R3197	1
Line Cord - Hong Kong (models)	41R3224	1
Line Cord - Hong Kong (models)	41R3225	1

9788 Windows XP Home Recovery CDs	FRU#	CRU
US/UK/AP/TH (models)	TBD	1
FR/CF (models)	TBD	1
GR (models)	TBD	1
IT (models)	TBD	1
BR (models)	TBD	1
SP/LA (models)	TBD	1
DK (models)	TBD	1
NL (models)	TBD	1
AE (models)	TBD	1
SV (models)	TBD	1
HE (models)	TBD	1
FI (models)	TBD	1
NO (models)	TBD	1
PL (models)	TBD	1
PO (models)	TBD	1
RU (models)	TBD	1
RE (models)	TBD	1
HU (models)	TBD	1
CZ (models)	TBD	1
TR (models)	TBD	1
GK (models)	TBD	1
Japanese (models)	TBD	1
Simplified Chinese (models)	TBD	1
Taiwan-TC (models)	TBD	1
Hong Kong-TC (models)	TBD	1
Korea (models)	TBD	1

9788 Windows XP Pro Recovery CDs	FRU#	CRU
US/UK/AP/TH (models)	45R0756	1
FR/CF (models)	45R0759	1
GR (models)	45R0760	1
IT (models)	45R0762	1
BR (models)	45R0763	1
SP/LA (models)	45R0761	1

9788 Windows XP Pro Recovery CDs	FRU#	CRU
DK (models)	45R0764	1
NL (models)	45R0767	1
AE (models)	45R2342	1
SV (Swedish) (models)	45R0765	1
HE (models)	45R2334	1
FI (models)	45R0766	1
NO (models)	45R0770	1
PL (models)	45R0777	1
PO (models)	45R0774	1
RU (models)	45R0773	1
RE (models)	45R2318	1
HU (models)	45R0780	1
CZ (models)	45R0776	1
TR (models)	45R0775	1
GK (models)	45R0772	1
SL (models)	45R2326	1
Japanese (models)	45R0757	1
Simplified Chinese (models)	45R0758	1
Taiwan-TC (models)	45R0768	1
Hong Kong-TC (models)	45R0769	1
Korean (models)	45R0771	1
Multilingual 1 XP-Pro -- EN, NL, FR, GR, IT (models)	45R8246	1
Multilingual 2 XP-Pro -- EN, DK, FI, NO, SV (models)	45R8247	1

9788 Vista Home Basic 32 SP1 Recovery DVDs	FRU#	CRU
English (models)	46R7273	1
Japanese (models)	46R7274	1
Simplified Chinese (models)	46R7275	1
French (models)	46R7276	1
German (models)	46R7277	1
Spanish (models)	46R7278	1
Italian (models)	46R7279	1
Brazilian Portuguese (models)	46R7280	1
Danish (models)	46R7281	1
Swedish (models)	45R9758	1
Finland (models)	45R9759	1
Dutch (models)	45R9760	1
Traditional Chinese (models)	46R7282	1
Hong Kong (models)	46R7283	1

9788 Vista Home Basic 32 SP1 Recovery DVDs	FRU#	CRU
Norwegian (models)	46R7284	1
Korean (models)	45R9764	1
Slovenian (models)	45R9765	1
Greek (models)	45R9766	1
Russian (models)	46R7285	1
Portuguese (models)	45R9768	1
Turkish (models)	45R9769	1
Czech (models)	45R9770	1
Polish (models)	45R9771	1
Russian English (models)	46R7286	1
Arabic Localized (models)	45R9773	1
Hebrew (models)	45R9774	1
Hungarian (models)	45R9775	1
Slovakian (models)	45R9776	1

9788 Vista Business 32 SP1 Recovery DVDs	FRU#	CRU
English (models)	46R7287	1
Japanese (models)	46R7288	1
Simplified Chinese (models)	46R7289	1
French (models)	46R7290	1
German (models)	46R7291	1
Spanish (models)	46R7292	1
Italian (models)	46R7293	1
Brazilian Portuguese (models)	46R7294	1
Danish (models)	46R7295	1
Swedish (models)	45R9786	1
Finland (models)	45R9787	1
Dutch (models)	45R9788	1
Traditional Chinese (models)	46R7296	1
Hong Kong (models)	46R7297	1
Norwegian (models)	46R7298	1
Korean (models)	45R9792	1
Slovenian (models)	45R9793	1
Greek (models)	45R9794	1
Russian (models)	46R7299	1
Portuguese (models)	45R9796	1
Turkish (models)	45R9797	1
Czech (models)	45R9798	1
Polish (models)	45R9799	1

9788 Vista Business 32 SP1 Recovery DVDs	FRU#	CRU
Russian English (models)	46R7300	1
Arabic Localized (models)	45R9801	1
Hebrew (models)	45R9802	1
Romanian (models)	45R9803	1
Hungarian (models)	45R9804	1
Slovakian (models)	45R9805	1
Serbian-Latin (models)	45R9806	1

9788 Vista VHP SP1 Recovery DVDs	FRU#	CRU
English (models)	46R7315	1
Japanese (models)	46R7316	1
Simplified Chinese (models)	46R7317	1
French (models)	46R7318	1
German (models)	46R7319	1
Spanish (models)	46R7320	1
Italian (models)	46R7321	1
Brazilian Portuguese (models)	46R7322	1
Danish (models)	46R7323	1
Swedish (models)	45R9844	1
Finland (models)	45R9845	1
Dutch (models)	45R9846	1
Traditional Chinese (models)	46R7324	1
Hong Kong (models)	46R7325	1
Norwegian (models)	46R7326	1
Korean (models)	45R9850	1
Slovenian (models)	45R9851	1
Greek (models)	45R9852	1
Russian (models)	46R7327	1
Portuguese (models)	45R9854	1
Turkish (models)	45R9855	1
Czech (models)	45R9856	1
Polish (models)	45R9857	1
Russian English (models)	46R7328	1
Arabic Localized (models)	45R9859	1
Hebrew (models)	45R9860	1
Romanian (models)	45R9861	1
Hungarian (models)	45R9862	1
Slovakian (models)	45R9863	1
Serbian-Latin (models)	45R9864	1

9788 Vista Business 64 SP1 Recovery DVDs	FRU#	CRU
English (models)	46R7301	1
Russian English (models)	46R7302	1
French (models)	46R7303	1
German (models)	46R7304	1
Spanish (models)	46R7305	1
Brazilian Portuguese (models)	46R7306	1
Italian (models)	46R7307	1
Japanese (models)	46R7308	1
Norwegian (models)	46R7309	1
Swedish (models)	45R9816	1
Danish (models)	45R9817	1
Dutch (models)	45R9818	1
Czech (models)	46R7310	1
Finnish (models)	46R7311	1
Polish (models)	46R7312	1
Russian (models)	45R9822	1
Turkish (models)	45R9823	1
Hungarian (models)	45R9824	1
Greek (models)	45R9825	1
Simplified Chinese (models)	46R7313	1
Taiwan (models)	45R9827	1
HongKong (models)	45R9828	1
Korea (models)	46R7314	1
Slovenian (models)	45R9830	1
Portuguese (models)	45R9831	1
Arabic Localized (models)	45R9832	1
Hebrew (models)	45R9833	1
Slovakian (models)	45R9834	1

9788 Vista Ultimate 32 SP1 Recovery DVDs	FRU#	CRU
English (models)	46R7329	1
Japanese (models)	46R7330	1
Simplified Chinese (models)	46R7331	1
French (models)	46R7332	1
German (models)	46R7333	1
Spanish (models)	46R7334	1
Italian (models)	46R7335	1
Brazilian Portuguese (models)	46R7336	1
Danish (models)	46R7337	1

9788 Vista Ultimate 32 SP1 Recovery DVDs	FRU#	CRU
Swedish (models)	45R9874	1
Finland (models)	45R9875	1
Dutch (models)	45R9876	1
Traditional Chinese (models)	46R7338	1
Hong Kong (models)	46R7339	1
Norwegian (models)	46R7340	1
Korean (models)	45R9880	1
Slovenian (models)	45R9881	1
Greek (models)	45R9882	1
Russian (models)	46R7341	1
Portuguese (models)	45R9884	1
Turkish (models)	45R9885	1
Czech (models)	45R9886	1
Polish (models)	45R9887	1
Russian English (models)	45R9888	1
Arabic Localized (models)	46R7342	1
Hebrew (models)	45R9890	1
Hungarian (models)	45R9891	1
Slovakian (models)	45R9892	1

9788 Vista Starter 32 Recovery DVDs	FRU#	CRU
English (models)	45R9748	1

Machine Type 9789



Item #	9789 FRUs	FRU#	CRU Tier
2	Microprocessor, Celeron 420 CONROE-L 800/1600MHZ-512K,LGA,EM64T (models)	43C3835	N
2	Microprocessor, Celeron 430 CONROE-L 800/1800MHZ-512K,LGA,EM64T (models AAQ ACA ACQ ACT)	43C1964	N
2	Microprocessor, Celeron 440 CONROE-L 800/2000MHZ-512K,LGA,EM64T (models)	43C1965	N
2	Microprocessor, Pentium Dual-core E2140 CONROE-L 800/1600MHZ-1M, LGA, EM64T (models)	43C1967	N
2	Microprocessor, Pentium Dual-core E2160 CONROE-L 800/1800MHZ-1M, LGA, EM64T (models ABQ)	43C1968	N
2	Microprocessor, Core 2 Duo E4400 L2 CONROE 800/2000MHZ-2M, LGA, EM64T (models)	43C2056	N
2	Microprocessor, Core 2 Duo E6400 B2 CONROE 1066/2130MHZ-2M, LGA, EM64T L2 Value (models)	41X2496	N
2	Microprocessor, Pentium Dual-core E2200 CONROE-L 800/2200MHZ-1M, LGA, EM64T - NPI (models CTO)	45C5349	N
2	Microprocessor, Pentium Dual-core E2180 CONROE-L 800/2000MHZ-1M, LGA, EM64T - NPI (models CTO)	45C1773	N
2	Microprocessor, Pentium Dual-core E2220 CONROE-L 800/2400MHZ-1M, LGA, EM64T - NPI (models CTO)	45C1774	N
2	Microprocessor, Core 2 Duo E4600 M0 CONROE 800/2400MHZ-2M, LGA, EM64T - NPI (models CTO)	45C5282	N

Item #	9789 FRUs	FRU#	CRU Tier
2	Microprocessor, Core 2 Duo E4500 M0 CONROE 800/2200MHZ-2M, LGA, EM64T (models CTO)	43C6305	N
2	Microprocessor, Core 2 Duo E6850 G0 CONROE 1333/3000MHZ-4M, LGA, EM64T (models CTO)	43C1694	N
2	Microprocessor, Core 2 Duo E6750 G0 CONROE 1333/2660MHZ-4M, LGA, EM64T (models CTO)	43C1693	N
2	Microprocessor, Core 2 Duo E6550 G0 CONROE 1333/2330MHZ-4M, LGA, EM64T (models CTO)	43C3833	N
2	Microprocessor, Core 2 Quad G-0 Q6700 KENTSFIELD 1066/2660MHZ-8M (models CTO)	43C6309	N
2	Microprocessor, Core 2 Quad G-0 Q6600 KENTSFIELD 1066/2400MHZ-8M (models CTO)	43C1695	N
2	Microprocessor, Core 2 Duo E8500 WOLFDAL E 1333/3160MHZ-6M (models CTO)	45C7735	N
2	Microprocessor, Core 2 Duo E8400 WOLFDAL E 1333/3000MHZ-6M (models CTO)	45C7736	N
2	Microprocessor, Core 2 Duo E8200 WOLFDAL E 1333/2660MHZ-6M (models CTO)	45C7738	N
2	Microprocessor, Core 2 Duo E8190 WOLFDAL E 1333/2660MHZ-6M - NON VT/Vpro (models CTO)	45R2568	N
2	Microprocessor, Core 2 Quad Q9550 C-1 YORKFIELD 2.83GHz 1333MHZ FSB 12M L2 (models CTO)	45C7739	N
2	Microprocessor, Core 2 Quad Q9450 C-1 YORKFIELD 2.66GHz 1333MHZ FSB 12M L2 (models CTO)	45C7740	N
2	Microprocessor, Core 2 Quad Q9300 M-1 YORKFIELD 2.5GHz 1333MHZ FSB 6M L2 (models CTO)	45C7741	N
2	Microprocessor, Core 2 Duo E8300 C-0 WOLFDAL E 2.83GHz 1333MHZ FSB 6M L2 (models CTO)	45C7737	N
2	Microprocessor, Core 2 Duo E7300 M-0 2.66GHz 1066MHz FSB 3M L2 (models CTO)	46R1622	N
2	Microprocessor, Core 2 Duo E7200 M-0 2.53GHz 1066MHz FSB 3M L2 (models CTO)	45R8337	N
2	Microprocessor, Core 2 Duo E4700 G-0 2.6GHz 800MHz FSB 2M L2 (models CTO)	45R5786	N
2	Microprocessor, Celeron Dual Core E1400 M-0 2.0GHz 800MHz FSB 512K L2 (models CTO)	45R8339	N
2	Microprocessor, Celeron Dual Core E1200 M-0 1.6GHz 800MHz FSB 512K L2, LGA, EM64T - NPI (models CTO)	45R8341	N
2	Microprocessor, Core 2 Duo E8600 E-0 WOLFDAL E 3.33GHz 1333MHZ FSB 6M L2 (models CTO)	46R8640	N
3	Memory module, 512 MB PC-5300 (667MHz) DDR2 SDRAM (models AAQ ACA ACQ ACT ADA ADQ ADT AGQ)	41X4255	2
3	Memory module, 1 GB PC-5300 (667MHz) DDR2 SDRAM (models ABQ AEM AEA AEQ AET AFQ AJQ AKQ B1Q B2Q B3Q)	41X4256	2
3	Memory module, 2 GB PC-5300 (667MHz) DDR2 SDRAM (models AHQ E4Q)	41X4257	2
3	Memory module, 512 MB PC2-6400 (800MHz) DDR2 SDRAM (models)	41X1079	2
3	Memory module, 1GB PC-6400 (800MHz) DDR2 SDRAM (models)	41X1080	2
3	Memory module, 2GB PC-6400 (800MHz) DDR2 SDRAM (models)	41X1081	2
4	DVD-ROM Drive - 16x/48x - SATA Vista & non-Vista (models ACA ACQ ACT ADA ADQ ADT AFQ)	41N3325	2

Item #	9789 FRUs	FRU#	CRU Tier
4	DVD-ROM Drive - DVD-ROM/CD-RW Combo Drive - 48x/32x/48x/16x - SATA Vista & non-Vista (models AAQ ABQ)	42Y9353	2
4	DVD-ROM Drive - DVD-RW/CD-RW Rambo 8 - SATA Vista & non-Vista (models AEM AEA AEQ AET AHQ AJQ AKQ)	43C1042	2
5	Diskette drive, 3.5" 1.44MB 2 Mode FDD with Bezel and cable (models)	40Y9107	2
5	Diskette drive, 3.5" 1.44MB 2 Mode FDD with Bezel and cable (models)	40Y9105	2
6	Bezel assembly without IBM mark (all models)	41R6243	2
7	Power switch/LED assembly (all models)	41N5284	2
8	Speaker assembly, soldered terminals (all models)	39P5023	2
9	Front audio/USB assembly (all models)	41N8054	2
10	Hard disk drive, SATA 80GB 7200RPM/3Gb/8MB (models)	40Y9034	2
10	Hard disk drive, SATA 160GB 7200RPM/3Gb/8MB (models B1Q B2Q)	40Y9035	2
10	Hard disk drive, SATA 320GB 7200rpm SATA/8MB (models B3Q)	87H4891	2
11	System board , Intel G31 mATX GA Level (models AAQ ABQ ACA ACQ ACT ADA ADQ ADT AEM AEA AEQ AET AFQ AGQ AHQ AJQ AKQ B1Q B2Q B3Q)	53Y3282	N
12	Fan, 4 Pin System Fan (all models)	41R6269	2
13	Power supply, ATX 280W Power supply; Robust; for all countries except for JP (models AAQ ABQ ACA ACQ ACT ADA ADQ ADT AEM AEA AEQ AET AFQ AGQ AHQ AJQ AKQ B1Q B2Q B3Q)	41A9684	2
13	Power supply, ATX 280W 80% power supply;for all countries (models AAQ ABQ ACA ACQ ACT ADA ADQ ADT AEM AEA AEQ AET AFQ AGQ AHQ AJQ AKQ B1Q B2Q B3Q)	41A9665	2
13	Power supply, ATX 310W Power supply Robust; for all countries (models AAQ ABQ ACA ACQ ACT ADA ADQ ADT AEM AEA AEQ AET AFQ AGQ AHQ AJQ AKQ B1Q B2Q B3Q)	41A9726	2

The FRUs listed in the following tables are not illustrated.

9789 FRUs	FRU#	CRU Tier
Shield, 5.25 EMC (all models)	41N8080	2
Cable SATA 457mm (RoHS) (all models)	43N9013	2
Shield, diskette drive EMC (all models)	41N8078	2
Cable, Diskette drive (RoHs) (all models)	41A7182	2
Cover, left side (all models)	41N8050	2
Retainer, Card Reader (all models)	41R2913	2
Fan, front (all models)	41R4791	2
Optional HDD Bracket Asm, without 4Pin cable (all models)	41R6106	2
Intrusion Switch asm (all models)	41R6116	2
Cable I-SATA 250mm (RoHS)(TOWER)(all models)	43N9012	2
Hard disk drive tray (all models)	41R6291	2
Planer shield, Atx 946, with usb number (all models)	41R6378	N
Temperature Sense cable (460 mm) (all models)	41R2509	2

9789 FRUs	FRU#	CRU Tier
Asm Chassis Without IBM Mark Atlantic (all models)	41R6408	N
Fru,Tamdhu chassis primary HDD cage (all models)	45K6272	1
Fru,Tamdhu ruber foot(For acoustic improvement) (all models)	45K6278	2
ODD/FDD/Cardreader Retainers (models)	43N9351	2

9789 Keyboard (Preferred Pro Fullsize PS/2)	FRU#	CRU Tier
US English (models)	41A5039	1
Arabic (models)	41A5040	1
Arabic/French (models)	41A5041	1
Belgian French (models)	41A5042	1
Belgium English (models)	41A5043	1
Brazilian Portuguese (models)	41A5044	1
Bulgarian (models)	41A5045	1
Chinese/US (models)	41A5046	1
Czech (ABB) (models)	41A5047	1
Danish (models)	41A5048	1
Dutch (models)	41A5049	1
French (models)	41A5050	1
French Canadian (models)	41A5051	1
French Canadian (models)	41A5052	1
German (models)	41A5053	1
Greek (models)	41A5054	1
Greek/US (models)	41A5080	1
Hebrew (models)	41A5055	1
Hungarian (models)	41A5056	1
Iceland (models)	41A5057	1
Japanese (models)	41A5058	1
Korean (models)	41A5059	1
LA Spanish (models)	41A5060	1
Italian (models)	41A5061	1
Norwegian (models)	41A5062	1
Polish (models)	41A5063	1
Portuguese (models)	41A5064	1
Romanian (models)	41A5065	1
Russian/Cyrillic (models)	41A5066	1
Serbian/Cyrillic (models)	41A5067	1
Slovak (models)	41A5068	1
Spanish (models)	41A5069	1

9789 Keyboard (Preferred Pro Fullsize PS/2)	FRU#	CRU Tier
Swedish/Finnish (models)	41A5070	1
Swiss French/German (models)	41A5071	1
Thailand (models)	41A5072	1
Turkish (models)	41A5073	1
Turkish (models)	41A5074	1
UK English (models)	41A5074	1
US Euro (models)	41A5075	1
Slovenian (models)	41A5077	1

9789 Keyboard (Lenovo USB Preferred -- without hub)	FRU#	CRU Tier
US English (models AAQ ABQ ACA ACQ ADA ADQ AEM AEA AEQ AFQ AGQ AHQ AJQ AKQ B1Q B2Q B3Q)	41A5289	1
Arabic (models)	41A5290	1
Arabic/French (models)	41A5291	1
Belgian/French (models)	41A5292	1
Belgian/UK (models)	41A5293	1
Brazilian Portuguese (models)	41A5294	1
Bulgarian (models)	41A5295	1
Chinese/US (models)	41A5296	1
Czech (models)	41A5297	1
Danish (models)	41A5298	1
Dutch (models)	41A5299	1
French (models)	41A5300	1
French Canadian (models)	41A5301	1
French Canadian (models)	41A5302	1
German (models)	41A5303	1
Greek (models)	41A5304	1
Greek/US (models)	41A5305	1
Hebrew (models)	41A5306	1
Hungarian (models)	41A5307	1
Iceland (models)	41A5308	1
Italian (models)	41A5309	1
Japanese (models)	41A5310	1
Korean (models)	41A5311	1
LA Spanish (models)	41A5312	1
Norwegian (models)	41A5313	1
Polish (models)	41A5314	1
Portuguese (models)	41A5315	1

9789 Keyboard (Lenovo USB Preferred -- without hub)	FRU#	CRU Tier
Romanian (models)	41A5317	1
Russian/Cyrillic (models)	41A5318	1
Serbian/Cyrillic (models)	41A5319	1
Slovak (models)	41A5320	1
Spanish (models)	41A5321	1
Swedish/Finnish (models)	41A5322	1
Swiss French/German (models)	41A5323	1
Thailand (models ACT ADT AET)	41A5324	1
Turkish (models)	41A5325	1
Turkish (models)	41A5326	1
UK English (models)	41A5327	1
US Euro (models)	41A5328	1
Slovenian (models)	41A5329	1

9789 Keyboard (Lenovo Enhanced Perf, USB Preferred -- with hub)	FRU#	CRU Tier
US English (models)	41A4961	1
Arabic (models)	41A4962	1
Arabic/French (models)	41A4963	1
Belgian French (models)	41A4964	1
Belgium English (models)	41A4965	1
Brazilian Portuguese (models)	41A4966	1
Bulgarian (models)	41A4967	1
Chinese/US (models)	41A4968	1
Czech (ABB) (models)	41A4969	1
Danish (models)	41A4970	1
Dutch (models)	41A4971	1
French (models)	41A4972	1
French Canadian (models)	41A4973	1
French Canadian (models)	41A4974	1
German (models)	41A4975	1
Greek (models)	41A4976	1
Greek/US (models)	41A5078	1
Hebrew (models)	41A4977	1
Hungarian (models)	41A4978	1
Iceland (models)	41A4979	1
Italian (models)	41A4980	1
Japanese (models)	41A4981	1
Korean (models)	41A4982	1

9789 Keyboard (Lenovo Enhanced Perf, USB Preferred -- with hub)	FRU#	CRU Tier
LA Spanish (models)	41A4983	1
Norwegian (models)	41A4984	1
Polish (models)	41A4985	1
Portuguese (models)	41A4986	1
Romanian (models)	41A4987	1
Russian/Cyrilic (models)	41A4988	1
Serbian/Cyrilic (models)	41A4989	1
Slovak (models)	41A4990	1
Spanish (models)	41A4991	1
Swedish/Finnish (models)	41A4992	1
Swiss French/German (models)	41A4993	1
Thailand (models)	41A4994	1
Turkish (models)	41A4995	1
Turkish (models)	41A4996	1
UK English (models)	41A4997	1
US Euro (models)	41A4998	1
Slovenian (models)	41A4999	1

9789 Keyboard (Lenovo Fingerprint Reader USB)	FRU#	CRU Tier
US English (models)	41A5248	1
Arabic (models)	41A5249	1
Arabic/French (models)	41A5250	1
Belgian French (models)	41A5251	1
Belgium English (models)	41A5252	1
Brazilian Portuguese (models)	41A5253	1
Bulgarian (models)	41A5254	1
Chinese/US (models)	41A5255	1
Czech (ABB) (models)	41A5256	1
Danish (models)	41A5257	1
Dutch (models)	41A5258	1
French (models)	41A5259	1
French Canadian (models)	41A5260	1
French Canadian (models)	41A5261	1
German (models)	41A5262	1
Greek (models)	41A5263	1
Greek/US (models)	41A5264	1
Hebrew (models)	41A5265	1
Hungarian (models)	41A5266	1

9789 Keyboard (Lenovo Fingerprint Reader USB)	FRU#	CRU Tier
Iceland (models)	41A5267	1
Italian (models)	41A5268	1
Japanese (models)	41A5269	1
Korean (models)	41A5270	1
LA Spanish (models)	41A5271	1
Norwegian (models)	41A5272	1
Polish (models)	41A5273	1
Portuguese (models)	41A5274	1
Romanian (models)	41A5276	1
Russian/Cyrilic (models)	41A5277	1
Serbian/Cyrilic (models)	41A5278	1
Slovak (models)	41A5279	1
Spanish (models)	41A5280	1
Swedish/Finnish (models)	41A5281	1
Swiss French/German (models)	41A5282	1
Thailand (models)	41A5283	1
Turkish (models)	41A5284	1
Turkish (models)	41A5285	1
UK English (models)	41A5286	1
US Euro (models)	41A5287	1
Slovenian (models)	41A5288	1

9789 mice	FRU#	CRU Tier
Optical Wheel Mouse (400DPI, USB) (all models)	41U3013	1
Optical Wheel Mouse (400DPI, USB) (all models)	41U3030	1
PS/2 Three Button ball mouse (41R0017) (models)	41R0018	1

9789 Adapters and miscellaneous FRUs	FRU#	CRU
Internal USB Memory Card Reader floppy bay (models)	41R3378	2
Internal USB 20 in 1 Memory CardReader floppy bay (models)	45R8139	2
USB Memory Key (models)	43R2296	2
Soft Modem V.90/V.44 ATX (models CTO)	46R4220	2
ATI HD 2600XT 512MB 128BIT ATX (models)	43C0261	2
IEEE 1394 Firewire Adapter SFF (models)	41D2781	2
Internal USB Memory Card Reader Slim (models)	43C9207	1
USB Memory Key - 1G RoW (models)	41U4978	1
ADD2 DVI Adapter,FH (HDCP) (models)	43C0258	2
ATI HD 2400PRO 128MB 64BIT DMS59 ATX (models)	43C0259	2

9789 Adapters and miscellaneous FRUs	FRU#	CRU
ATI HD 2400XT 256MB 64BIT DMS59 ATX (models)	43C0260	2
DVI-I connection Adapter Full Height (models B4Q)	39J9334	2
DVI-I connection Adapter Low Profile (Tower Rocky&LX-607) (models)	45R1885	1
DVI-I connection Adapter Low Profile (models)	39J9334	2
Speaker Power brick - US, Canada, LA low voltage, ASEAN (models ACA ADA AEA)	89P8571	1
Speaker Power brick - LA high voltage (non-APU) (models)	89P8575	1
Speaker Power brick - China, Thailand (models ACT ADT AET)	89P8581	1
Speaker Power brick - Japan (models)	89P8577	1
Speaker Power brick - Brazil (models)	89P8583	1
Speaker Power brick - Argentina (models)	41A4901	1
Speaker Power brick - ANZ (modes)	89P8579	1
Speaker Brick - Korea (models)	41A4903	1
Speaker Brick - Hong Kong, EMEA (models)	89P8573	1
Speaker Brick - Taiwan (models)	41A4905	1
Speaker Power brick - India, South Africa (models AAQ ABQ ACQ ADQ AEQ AFQ AGQ AHQ AJQ AKQ B1Q B2Q B3Q)	89P8585	1
Dongle DMS Dule DMS-59 to dual VGA Cable (models)	42Y8181	2
Dongle DMS Dule DMS-59 to dual DVI Cable (models)	41X6398	2

9789 Line Cords	FRU#	CRU
Line cord - US (models ACA ADA AEA ACT ADT AET)	41R3184	1
Line cord - US (models ACA ADA AEA ACT ADT AET)	41R3185	1
Line cord - China (models)	41R3256	1
Line cord - China (models)	41R3257	1
Line cord - Brazil (models)	41R3270	1
Line cord - Brazil (models)	41R3271	1
Line cord - LA High Volt APU (models)	41R3176	1
Line Cord - LA High Volt APU (models)	41R3177	1
Line Cord - Korea (models)	41R3260	1
Line Cord - Korea (models)	41R3261	1
Line Cord - UK, Ireland, Singapore, Malaysia, Brunei (models ACA ADA AEA)	41R3224	1
Line Cord - UK, Ireland, Singapore, Malaysia, Brunei (models ACA ADA AEA)	41R3225	1
Line Cord - Taiwan (models)	41R3278	1
Line Cord - Taiwan (models)	41R3279	1
Line Cord - Italy (models)	41R3232	1
Line Cord - Italy (models)	41R3233	1
Line Cord - Indonesia, Laos, Cambodia, and Vietnam (models ACA ADA AEA)	41R3208	1
Line Cord - Indonesia, Laos, Cambodia, and Vietnam (models ACA ADA AEA)	41R3209	1
Line Cord - Denmark (models)	41R3212	1

9789 Line Cords	FRU#	CRU
Line Cord - Denmark (models)	41R3213	1
Line Cord - Switzerland (models)	41R3228	1
Line Cord - Switzerland (models)	41R3229	1
Line Cord - Israel (models)	41R3236	1
Line Cord - Israel (models)	41R3237	1
Line Cord - South Africa (models ACA ADA AEA AEM)	41R3220	1
Line Cord - South Africa (models ACA ADA AEA AEM)	41R3221	1
Line Cord - India (models AAQ ABQ ACQ ADQ AEQ AFQ AGQ AHQ AJQ AKQ B1Q B2Q B3Q)	41R3341	1
Line Cord - India (models AAQ ABQ ACQ ADQ AEQ AFQ AGQ AHQ AJQ AKQ B1Q B2Q B3Q)	41R3175	1
Line Cord - Japan (models)	41R3248	1
Line Cord - Japan (models)	41R3249	1
Line Cord - ANZ (models AEM)	41R3196	1
Line Cord - ANZ (models AEM)	41R3197	1
Line Cord - US (models ACA ADA AEA ACT ADT AET)	43N9032	1
Line Cord - China (models)	43N9033	1
Line Cord - Japan (models)	43N9034	1
Line Cord - ANZ (models AEM)	43N9035	1
Line Cord - Hong Kong Singapore, Malaysia, Brunei, Ireland (models ACA ADA AEA)	43N9036	1
Line Cord - Taiwan (models)	43N9037	1
Line Cord - Italy (models)	43N9038	1
Line Cord - Indonesia, Laos, Cambodia, and Vietnam, Austria, Belgium, Croatia Czechoslovakia, Finland, France, Germany, Hungary, Netherlands, Norway, Poland, Portugal, Romania, Spain, Sweden (models ACA ADA AEA)	43N9039	1
Line Cord - Denmark (models)	43N9040	1
Line Cord - Switzerland (models)	43N9041	1
Line Cord - India (models)	43N9042	1

9789 Windows XP Home Recovery CDs	FRU#	CRU
US/UK/AP/TH (models)	TBD	1
FR/CF (models)	TBD	1
GR (models)	TBD	1
IT (models)	TBD	1
BR (models)	TBD	1
SP/LA (models)	TBD	1
DK (models)	TBD	1
NL (models)	TBD	1
AE (models)	TBD	1
SV (models)	TBD	1
HE (models)	TBD	1
FI (models)	TBD	1

9789 Windows XP Home Recovery CDs	FRU#	CRU
NO (models)	TBD	1
PL (models)	TBD	1
PO (models)	TBD	1
RU (models)	TBD	1
RE (models)	TBD	1
HU (models)	TBD	1
CZ (models)	TBD	1
TR (models)	TBD	1
GK (models)	TBD	1
Japanese (models)	TBD	1
Simplified Chinese (models)	TBD	1
Taiwan-TC (models)	TBD	1
Hong Kong-TC (models)	TBD	1
Korean (models)	TBD	1

9789 Windows XP Pro Recovery CDs	FRU#	CRU
US/UK/AP/TH (models)	45R0756	1
FR/CF (models B3Q)	45R0759	1
GR (models)	45R0760	1
IT (models)	45R0762	1
BR (models)	45R0763	1
SP/LA (models)	45R0761	1
DK (models)	45R0764	1
NL (models)	45R0767	1
AE (models)	45R2342	1
SV (models)	45R0765	1
HE (models)	45R2334	1
FI (models)	45R0766	1
NO (models)	45R0770	1
PL (models)	45R0777	1
PO (models)	45R0774	1
RU (models)	45R0773	1
RE (models)	45R2318	1
HU (models)	45R0780	1
CZ (models)	45R0776	1
TR (models)	45R0775	1
GK (models)	45R0772	1
SL (models)	45R2326	1
Japanese (models)	45R0757	1

9789 Windows XP Pro Recovery CDs	FRU#	CRU
Simplified Chinese (models)	45R0758	1
Taiwan-TC (models)	45R0768	1
Hong Kong-TC (models)	45R0769	1
Korean (models)	45R0771	1
Multilingual 1 XP-Pro -- EN, NL, FR, GR, IT (models)	45R8246	1
Multilingual 2 XP-Pro -- EN, DK, FI, NO, SV (models)	45R8247	1

9789 Vista Home Basic 32 SP1 Recovery DVDs	FRU#	CRU
English (models)	46R7273	1
Japanese (models)	46R7274	1
Simplified Chinese (models)	46R7275	1
French (models)	46R7276	1
German (models)	46R7277	1
Spanish (models)	46R7278	1
Italian (models)	46R7279	1
Brazilian Portuguese (models)	46R7280	1
Danish (models)	46R7281	1
Swedish (models)	45R9758	1
Finland (models)	45R9759	1
Dutch (models)	45R9760	1
Traditional Chinese (models)	46R7282	1
Hong Kong (models)	46R7283	1
Norwegian (models)	46R7284	1
Korean (models)	45R9764	1
Slovenian (models)	45R9765	1
Greek (models)	45R9766	1
Russian (models)	46R7285	1
Portuguese (models)	45R9768	1
Turkish (models)	45R9769	1
Czech (models)	45R9770	1
Polish (models)	45R9771	1
Russian English (models)	46R7286	1
Arabic Localized (models)	45R9773	1
Hebrew (models)	45R9774	1
Hungarian (models)	45R9775	1
Slovakian (models)	45R9776	1

9789 Vista Business 32 SP1 Recovery DVDs	FRU#	CRU
English (models AAQ ABQ AEM AEA AEQ AET AFQ AHQ AJQ B3Q)	46R7287	1
Japanese (models)	46R7288	1
Simplified Chinese (models)	46R7289	1
French (models)	46R7290	1
German (models)	46R7291	1
Spanish (models)	46R7292	1
Italian (models)	46R7293	1
Brazilian Portuguese (models)	46R7294	1
Danish (models)	46R7295	1
Swedish (models)	45R9786	1
Finland (models)	45R9787	1
Dutch (models)	45R9788	1
Traditional Chinese (models)	46R7296	1
Hong Kong (models)	46R7297	1
Norwegian (models)	46R7298	1
Korean (models)	45R9792	1
Slovenian (models)	45R9793	1
Greek (models)	45R9794	1
Russian (models)	46R7299	1
Portuguese (models)	45R9796	1
Turkish (models)	45R9797	1
Czech (models)	45R9798	1
Polish (models)	45R9799	1
Russian English (models)	46R7300	1
Arabic Localized (models)	45R9801	1
Hebrew (models)	45R9802	1
Romanian (models)	45R9803	1
Hungarian (models)	45R9804	1
Slovakian (models)	45R9805	1
Serbian-Latin (models)	45R9806	1

9789 Vista VHP SP1 Recovery DVDs	FRU#	CRU
English (models)	46R7315	1
Japanese (models)	46R7316	1
Simplified Chinese (models)	46R7317	1
French (models)	46R7318	1
German (models)	46R7319	1
Spanish (models)	46R7320	1
Italian (models)	46R7321	1

9789 Vista VHP SP1 Recovery DVDs	FRU#	CRU
Brazilian Portuguese (models)	46R7322	1
Danish (models)	46R7323	1
Swedish (models)	45R9844	1
Finland (models)	45R9845	1
Dutch (models)	45R9846	1
Traditional Chinese (models)	46R7324	1
Hong Kong (models)	46R7325	1
Norwegian (models)	46R7326	1
Korean (models)	45R9850	1
Slovenian (models)	45R9851	1
Greek (models)	45R9852	1
Russian (models)	46R7327	1
Portuguese (models)	45R9854	1
Turkish (models)	45R9855	1
Czech (models)	45R9856	1
Polish (models)	45R9857	1
Russian English (models)	46R7328	1
Arabic Localized (models)	45R9859	1
Hebrew (models)	45R9860	1
Romanian (models)	45R9861	1
Hungarian (models)	45R9862	1
Slovakian (models)	45R9863	1
Serbian-Latin (models)	45R9864	1

9789 Vista Business 64 SP1 Recovery DVDs	FRU#	CRU
English (models)	46R7301	1
Russian English (models)	46R7302	1
French (models)	46R7303	1
German (models)	46R7304	1
Spanish (models)	46R7305	1
Brazilian Portuguese (models)	46R7306	1
Italian (models)	46R7307	1
Japanese (models)	46R7308	1
Norwegian (models)	46R7309	1
Swedish (models)	45R9816	1
Danish (models)	45R9817	1
Dutch (models)	45R9818	1
Czech (models)	46R7310	1
Finnish (models)	46R7311	1

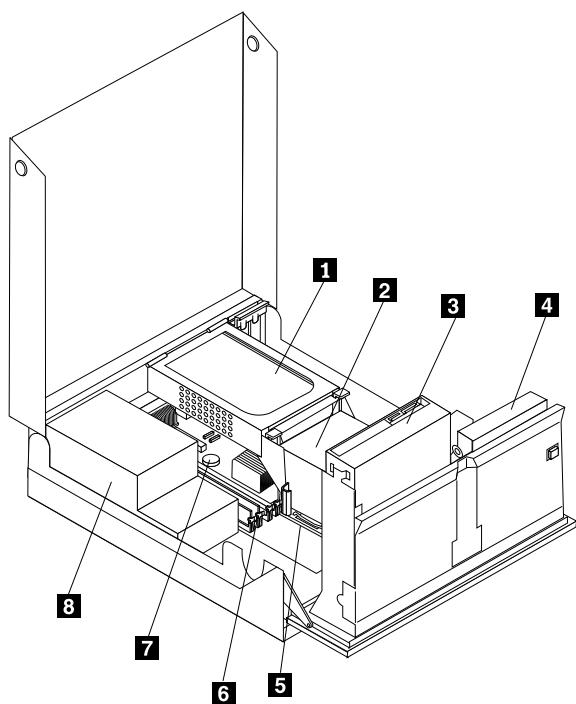
9789 Vista Business 64 SP1 Recovery DVDs	FRU#	CRU
Polish (models)	46R7312	1
Russian (models)	45R9822	1
Turkish (models)	45R9823	1
Hungarian (models)	45R9824	1
Greek (models)	45R9825	1
Simplified Chinese (models)	46R7313	1
Taiwan (models)	45R9827	1
HongKong (models)	45R9828	1
Korea (models)	45R9829	1
Slovenian (models)	46R7314	1
Portuguese (models)	45R9831	1
Arabic Localized (models)	45R9832	1
Hebrew (models)	45R9833	1
Slovakian (models)	45R9834	1

9789 Vista Ultimate 32 SP1 Recovery DVDs	FRU#	CRU
English (models)	46R7329	1
Japanese (models)	46R7330	1
Simplified Chinese (models)	46R7331	1
French (models)	46R7332	1
German (models)	46R7333	1
Spanish (models)	46R7334	1
Italian (models)	46R7335	1
Brazilian Portuguese (models)	46R7336	1
Danish (models)	46R7337	1
Swedish (models)	45R9874	1
Finland (models)	45R9875	1
Dutch (models)	45R9876	1
Traditional Chinese (models)	46R7338	1
Hong Kong (models)	46R7339	1
Norwegian (models)	46R7340	1
Korean (models)	45R9880	1
Slovenian (models)	45R9881	1
Greek (models)	45R9882	1
Russian (models)	46R7341	1
Portuguese (models)	45R9884	1
Turkish (models)	45R9885	1
Czech (models)	45R9886	1
Polish (models)	45R9887	1

9789 Vista Ultimate 32 SP1 Recovery DVDs	FRU#	CRU
Russian English (models)	46R5089	1
Arabic Localized (models)	46R7342	1
Hebrew (models)	45R9890	1
Hungarian (models)	45R9891	1
Slovakian (models)	45R9892	1

9789 Vista Starter 32 Recovery DVDs	FRU#	CRU
English (models)	46R5059	1

Machine Type 9794



Item #	9794 FRUs	FRU#	CRU
1	Hard disk drive,SATA 80GB 7200RPM/3Gb/8MB (models)	40Y9034	2
1	Hard disk drive,SATA 160GB 7200RPM/3Gb/8MB (models AAM)	40Y9035	2
1	Hard disk drive,SATA 320GB 7200rpm SATA/8MB (models)	87H4891	2
2	Thermal kit (all models)	41R6039	2
3	Optical drive,DVD-ROM Drive - 16x/48x - SATA Vista & non-Vista (models)	41N3325	2
3	Optical drive,DVD-ROM/CD-RW Combo Drive - 48x/32x/48x/16x - SATAVista & non-Vista (models AAM)	42Y9353	2
3	Optical drive,DVD-RW/CD-RW Rambo 8 - SATA Vista & non-Vista (models ABM ACM ADM 7HG 7KG)	43C1042	2
5	Microprocessor, Celeron 420 CONROE-L 800/1600MHZ-512K,LGA,EM64T (models)	43C3835	N
5	Microprocessor, Celeron 430 CONROE-L 800/1800MHZ-512K,LGA,EM64T (models)	43C1964	N

Item #	9794 FRUs	FRU#	CRU
5	Microprocessor, Celeron 440 CONROE-L 800/2000MHZ-512K,LGA,EM64T (models)	43C1965	N
5	Microprocessor, Pentium Dual-core E2140 CONROE-L 800/1600MHZ-1M, LGA, EM64T (models)	43C1967	N
5	Microprocessor, Pentium Dual-core E2160 CONROE-L 800/1800MHZ-1M, LGA, EM64T (models AAM)	43C1968	N
5	Microprocessor, Core 2 Duo E4400 L2 CONROE 800/2000MHZ-2M, LGA, EM64T (models)	43C2056	N
5	Microprocessor,Core 2 Duo E6400 B2 CONROE 1066/2130MHZ-2M, LGA, EM64T L2 Value (models)	41X2496	N
5	Microprocessor, Pentium Dual-core E2200 CONROE-L 800/2200MHZ-1M, LGA, EM64T - NPI (models CTO)	45C5349	N
5	Microprocessor, Pentium Dual-core E2180 CONROE-L 800/2000MHZ-1M, LGA, EM64T - NPI (models CTO)	45C1773	N
5	Microprocessor, Pentium Dual-core E2220 CONROE-L 800/2400MHZ-1M, LGA, EM64T - NPI (models CTO)	45C1774	N
5	Microprocessor, Core 2 Duo E4600 M0 CONROE 800/2400MHZ-2M, LGA, EM64T - NPI (models CTO)	45C5282	N
5	Microprocessor, Core 2 Duo E4500 M0 CONROE 800/2200MHZ-2M, LGA, EM64T (models CTO)	43C6305	N
5	Microprocessor, Core 2 Duo E6850 G0 CONROE 1333/3000MHZ-4M, LGA, EM64T (models CTO)	43C1694	N
5	Microprocessor, Core 2 Duo E6750 G0 CONROE 1333/2660MHZ-4M, LGA, EM64T (models CTO)	43C1693	N
5	Microprocessor, Core 2 Duo E6550 G0 CONROE 1333/2330MHZ-4M, LGA, EM64T (models CTO)	43C3833	N
5	Microprocessor, Core 2 Quad G-0 Q6700 KENTSFIELD 1066/2660MHZ-8M (models CTO)	43C6309	N
5	Microprocessor, Core 2 Quad G-0 Q6600 KENTSFIELD 1066/2400MHZ-8M (models CTO)	43C1695	N
5	Microprocessor, Core 2 Duo E8500 WOLFDAL E 1333/3160MHZ-6M (models CTO)	45C7735	N
5	Microprocessor, Core 2 Duo E8400 WOLFDAL E 1333/3000MHZ-6M (models CTO)	45C7736	N
5	Microprocessor, Core 2 Duo E8200 WOLFDAL E 1333/2660MHZ-6M (models CTO)	45C7738	N
5	Microprocessor, Core 2 Duo E8190 WOLFDAL E 1333/2660MHZ-6M - NON VT/Vpro (models CTO)	45R2568	N
5	Microprocessor, Core 2 Quad Q9550 C-1 YORKFIELD 2.83GHz 1333MHZ FSB 12M L2 (models CTO)	45C7739	N
5	Microprocessor, Core 2 Quad Q9450 C-1 YORKFIELD 2.66GHz 1333MHZ FSB 12M L2 (models CTO)	45C7740	N
5	Microprocessor, Core 2 Quad Q9300 M-1 YORKFIELD 2.5GHz 1333MHZ FSB 6M L2 (models CTO)	45C7741	N
5	Microprocessor, Core 2 Duo E8300 C-0 WOLFDAL E 2.83GHz 1333MHZ FSB 6M L2 (models CTO)	45C7737	N
5	Microprocessor, Core 2 Duo E7300 M-0 2.66GHz 1066MHz FSB 3M L2 (models CTO)	46R1622	N
5	Microprocessor, Core 2 Duo E7200 M-0 2.53GHz 1066MHz FSB 3M L2 (models CTO)	45R8337	N
5	Microprocessor, Core 2 Duo E4700 G-0 2.6GHz 800MHz FSB 2M L2 (models CTO)	45R5786	N

Item #	9794 FRUs	FRU#	CRU
5	Microprocessor, Celeron Dual Core E1400 M-0 2.0GHz 800MHz FSB 512K L2 (models CTO)	45R8339	N
5	Microprocessor, Celeron Dual Core E1200 M-0 1.6GHz 800MHz FSB 512K L2, LGA, EM64T - NPI (models CTO)	45R8341	N
5	Microprocessor, Core 2 Duo E8600 E-0 WOLFDAL E 3.33GHz 1333MHZ FSB 6M L2 (models CTO)	46R8640	N
6	Memory module,512 MB PC-5300 (667MHz) DDR2 SDRAM (models)	41X4255	2
6	Memory module,1 GB PC-5300 (667MHz) DDR2 SDRAM (models AAM ABM ACM ADM 7HG 7KG)	41X4256	2
6	Memory module,2 GB PC-5300 (667MHz) DDR2 SDRAM (models)	41X4257	2
6	Memory module,512 MB PC2-6400 (800MHz) DDR2 SDRAM (models)	41X1079	2
6	Memory module,1GB PC-6400 (800MHz) DDR2 SDRAM (models)	41X1080	2
6	Memory module,2GB PC-6400 (800MHz) DDR2 SDRAM (models)	41X1081	2
7	System board, Intel G31 nano-BTX GA Level (models AAM ABM ACM ADM 7HG 7KG)	53Y5125	N
8	Power supply, 280W Active PFC power supply for 10L---all countries (models AAM ABM ACM ADM 7HG 7KG)	41A9701	2
8	Power supply, 280W 80+ power supply for 10L---all countries (models AAM ABM ACM ADM 7HG 7KG)	41A9717	2
8	Power supply, 280W Active PFC power supply for 10L---all countries (LX-607) (models AAM ABM ACM ADM 7HG 7KG)	45J9418	2
8	Power supply, 280W 80+ power supply for 10L---all countries (LX-607) (models AAM ABM ACM ADM 7HG 7KG)	45J9427	2

The FRUs listed in the following tables are not illustrated.

9794 FRUs	FRU#	CRU
Power switch/LED cable assembly (all models)	41R3391	2
USB cable assembly (all models)	41R3392	2
C2 switch cable (all models)	39K5022	2
SATA cable, 120mm (all models)	41R3328	2
SATA cable, 700mm (all models)	39K5026	2
Speaker/Cable assembly (all models)	39K5012	2
Temp Sense cable (all models)	41R2509	2
System Fan assembly (all models)	41R6249	2
Floor Stand and Vertical Deflector (all models)	41R6251	2
Cpu Support Module (all models)	41R6252	N
HDD Tray assembly (all models)	41R6253	2
Internal Plastic (all models)	41R6254	2
Bezel, Plastic (all models)	41R6255	2
Front rotating cage assembly (all models)	41R6256	N
Top cover assembly (all models)	41R6257	2
L1-C2 intrusion switch (all models)	39K5022	2

9794 FRUs	FRU#	CRU
Fan for SFF (all models)	41R6042	2
Rell IO shield BTX atlantic (all models)	41R6381	N
C2 Intrusion Switch (all models)	39K5022	2
Chassis atlantic (all models)	41R6275	N
10L FRONT I/O CABLE (models)	43N9015	2
Cabel-SATA 700mm (RoHS) (models)	43N9011	2
Universal Adapter Bracket 5.25 to 3.5 (models)	43N9361	2
ODD mounting kit, 607AT (models)	43N9362	2
Cardreader Bezel Kit, 607AT (models)	43N9363	2
Slim FDD (models)	40Y9109	2
Battery 3V- Lithium (models AAM ABM ACM ADM 7HG 7KG)	45C1566	1
FDD Retainer, 607AT, SFF (LX-607) (all models)	43N9681	2
Vertical Stand, Tampa/607CT (all models)	43N9644	N
HDD bracket ASM (all models)	43N9690	2
Fru,Tamdhu chassis primary HDD cage (all models)	45K6272	1
Fru,Tamdhu ruber foot(For acoustic improvement) (all models)	45K6278	2
HDD bracket with cover b, for Toyota, Flex (all models)	43N9691	2

9794 Keyboard (Lenovo USB Preferred -- without hub)	FRU#	CRU Tier
US English (models)	41A5039	1
Arabic (models)	41A5040	1
Arabic/French (models)	41A5041	1
Belgian/French (models)	41A5042	1
Belgian/English (models)	41A5043	1
Brazilian Portuguese (models)	41A5044	1
Bulgarian (models)	41A5045	1
Chinese/US (models)	41A5046	1
Czech (models)	41A5047	1
Danish (models)	41A5048	1
Dutch (models)	41A5049	1
French (models)	41A5050	1
French Canadian (models)	41A5051	1
French Canadian (models)	41A5052	1
German (models)	41A5053	1
Greek (models)	41A5054	1
Greek/US (models)	41A5080	1
Hebrew (models)	41A5055	1
Hungarian (models)	41A5056	1

9794 Keyboard (Lenovo USB Preferred -- without hub)	FRU#	CRU Tier
Iceland (models)	41A5057	1
Italian (models)	41A5058	1
Japanese (models)	41A5059	1
Korean (models)	41A5060	1
LA Spanish (models)	41A5061	1
Norwegian (models)	41A5062	1
Polish (models)	41A5063	1
Portuguese (models)	41A5064	1
Romanian (models)	41A5065	1
Russian/Cyrillic (models)	41A5066	1
Serbian/Cyrillic (models)	41A5067	1
Slovak (models)	41A5068	1
Spanish (models)	41A5069	1
Swedish/Finnish (models)	41A5070	1
Swiss (models)	41A5071	1
Thailand (models)	41A5072	1
Turkish (models)	41A5073	1
Turkish (models)	41A5074	1
UK English (models)	41A5075	1
US Euro (models)	41A5076	1
Slovenian (models)	41A5077	1

9794 Keyboard (Lenovo USB Preferred -- without hub)	FRU#	CRU Tier
US English (models AAM ABM ACM ADM 7HG 7KG)	41A5289	1
Arabic (models)	41A5290	1
Arabic/French (models 7HG 7KG)	41A5291	1
Belgian French (models 7HG 7KG)	41A5292	1
Belgium English (models 7HG 7KG)	41A5293	1
Brazilian Portuguese (models)	41A5294	1
Bulgarian (models 7HG 7KG)	41A5295	1
Chinese/US (models)	41A5296	1
Czech (ABB) (models 7HG 7KG)	41A5297	1
Danish (models 7HG 7KG)	41A5298	1
Dutch (models 7HG 7KG)	41A5299	1
French (models 7HG 7KG)	41A5300	1
French Canadian (models)	41A5301	1
French Canadian (models)	41A5302	1
German (models 7HG 7KG)	41A5303	1

9794 Keyboard (Lenovo USB Preferred -- without hub)	FRU#	CRU Tier
Greek (models 7HG 7KG)	41A5304	1
Greek/US (models 7HG 7KG)	41A5305	1
Hebrew (models 7HG 7KG)	41A5306	1
Hungarian (models 7HG 7KG)	41A5307	1
Iceland (models)	41A5308	1
Japanese (models)	41A5310	1
Korean (models)	41A5311	1
LA Spanish (models)	41A5312	1
Italian (models 7HG 7KG)	41A5309	1
Norwegian (models 7HG 7KG)	41A5313	1
Polish (models 7HG 7KG)	41A5314	1
Portuguese (models 7HG 7KG)	41A5315	1
Romanian (models 7HG 7KG)	41A5317	1
Russian/Cyrillic (models 7HG 7KG)	41A5318	1
Serbian/Cyrillic (models 7HG 7KG)	41A5319	1
Slovak (models 7HG 7KG)	41A5320	1
Spanish (models 7HG 7KG)	41A5321	1
Swedish/Finnish (models 7HG 7KG)	41A5322	1
Swiss French/German (models 7HG 7KG)	41A5323	1
Thailand (models)	41A5324	1
Turkish (models 7HG 7KG)	41A5325	1
Turkish (models 7HG 7KG)	41A5326	1
UK English (models 7HG 7KG)	41A5327	1
US Euro (models 7HG 7KG)	41A5328	1
Slovenian (models 7HG 7KG)	41A5329	1

9794 Keyboard (Lenovo Enhanced Perf, USB Preferred -- with hub)	FRU#	CRU Tier
US English (models)	41A4961	1
Arabic (models)	41A4962	1
Arabic/French (models)	41A4963	1
Belgian/French (models)	41A4964	1
Belgium English (models)	41A4965	1
Brazilian Portuguese (models)	41A4966	1
Bulgarian (models)	41A4967	1
Chinese/US (models)	41A4968	1
Czech (ABB) (models)	41A4969	1
Danish (models)	41A4970	1
Dutch (models)	41A4971	1

9794 Keyboard (Lenovo Enhanced Perf, USB Preferred -- with hub)	FRU#	CRU Tier
French (models)	41A4972	1
French Canadian (models)	41A4973	1
French Canadian (models)	41A4974	1
German (models)	41A4975	1
Greek (models)	41A4976	1
Greek/US (models)	41A5078	1
Hebrew (models)	41A4977	1
Hungarian (models)	41A4978	1
Iceland (models)	41A4979	1
Italy (models)	41A4980	1
Japanese (models)	41A4981	1
Korean (models)	41A4982	1
LA Spanish (models)	41A4983	1
Norwegian (models)	41A4984	1
Polish (models)	41A4985	1
Portuguese (models)	41A4986	1
Romanian (models)	41A4987	1
Russian/Cyrillic (models)	41A4988	1
Serbian/Cyrillic (models)	41A4989	1
Slovak (models)	41A4990	1
Spanish (models)	41A4991	1
Swedish/Finnish (models)	41A4992	1
Swiss French/German (models)	41A4993	1
Thailand (models)	41A4994	1
Turkish (models)	41A4995	1
Turkish (models)	41A4996	1
UK English (models)	41A4997	1
US Euro (models)	41A4998	1
Slovenian (models)	41A4999	1

9794 Keyboard (Lenovo Fingerprint Reader USB)	FRU#	CRU Tier
US English (models)	41A5248	1
Arabic (models)	41A5249	1
Arabic/French (models)	41A5250	1
Belgian French (models)	41A5251	1
Belgium English (models)	41A5252	1
Brazilian Portuguese (models)	41A5253	1
Bulgarian (models)	41A5254	1

9794 Keyboard (Lenovo Fingerprint Reader USB)	FRU#	CRU Tier
Chinese/US (models)	41A5255	1
Czech (ABB) (models)	41A5256	1
Danish (models)	41A5257	1
Dutch (models)	41A5258	1
French (models)	41A5259	1
French Canadian (models)	41A5260	1
French Canadian (models)	41A5261	1
German (models)	41A5262	1
Greek (models)	41A5263	1
Greek/US (models)	41A5264	1
Hebrew (models)	41A5265	1
Hungarian (models)	41A5266	1
Iceland (models)	41A5267	1
Italy (models)	41A5268	1
Japanese (models)	41A5269	1
Korean (models)	41A5270	1
LA Spanish (models)	41A5271	1
Norwegian (models)	41A5272	1
Polish (models)	41A5273	1
Portuguese (models)	41A5274	1
Romanian (models)	41A5276	1
Russian/Cyrillic (models)	41A5277	1
Serbian/Cyrillic (models)	41A5278	1
Slovak (models)	41A5279	1
Spanish (models)	41A5280	1
Swedish/Finnish (models)	41A5281	1
Swiss French/German (models)	41A5282	1
Thailand (models)	41A5283	1
Turkish (models)	41A5284	1
Turkish (models)	41A5285	1
UK English (models)	41A5286	1
US Euro (models)	41A5287	1
Slovenian (models)	41A5288	1

9794 mice	FRU#	CRU
Optical Wheel Mouse (400DPI, USB) (all models)	41U3013	1
Optical Wheel Mouse (400DPI, USB) (all models)	41U3030	1
PS/2 Three Button ball mouse (41R0017) (models)	41R0018	1

9794 Adapters and miscellaneous FRUs	FRU#	CRU
USB Memory Key (models)	43R2296	1
USB Memory Key - 1G RoW (models)	41U4978	1
Soft Modem V.90/V.44 SFF (models CTO)	46R4220	2
IEEE 1394 Firewire Adapter SFF (models)	41D2781	2
Internal USB Memory Card Reader Slim (models CTO)	45R1885	1
ATI HD 2400PRO 128MB 64BIT DMS59 LP (models)	46R4159	2
ATI HD 2400XT 256MB 64BIT DMS59 ATX (models ADM)	46R4160	2
ADD2 DVI Adapter,LP (HDCP) (models)	43C0258	2
DVI-I connection Adapter Full Height (models 7HG 7KG)	39J9334	2
Speaker Power brick - US, Canada, LA low voltage, ASEAN (models)	89P8571	1
Speaker Power brick - LA high voltage (non-APU) (models)	89P8575	1
Speaker Power brick - China, Thailand (models)	89P8581	1
Speaker Power brick - Japan (models)	89P8577	1
Speaker Power brick - Brazil (models)	89P8583	1
Speaker Power brick - Argentina (models)	41A4901	1
Speaker Power brick - ANZ (models ABM ACM ADM AAM)	89P8579	1
Speaker Brick - Korea (models)	41A4903	1
Speaker Brick - Hong Kong, EMEA (models)	89P8573	1
Speaker Brick - Taiwan (models)	41A4905	1
Speaker Power brick - India, South Africa (models)	89P8585	1
Dongle DMS Dule DMS-59 to dual VGA Cable (models)	42Y8181	2
Dongle DMS Dule DMS-59 to dual DVI Cable (models)	41X6398	2
Line Cord - US (models)	43N9032	1
Line Cord - China (models)	43N9033	1
Line Cord - Japan (models)	43N9034	1
Line Cord - ANZ (models)	43N9035	1
Line Cord - Hong Kong Singapore, Malaysia, Brunei, Ireland (models 7HG 7KG)	43N9036	1
Line Cord - Taiwan (models)	43N9037	1
Line Cord - Italy (models 7HG 7KG)	43N9038	1
Line Cord - Indonesia, Laos, Cambodia, and Vietnam, Austria, Belgium, Croatia Czechoslovakia, Finland, France, Germany, Hungary, Netherlands, Norway, Poland, Portugal, Romania, Spain, Sweden (models)	43N9039	1
Line Cord - Denmark (models 7HG 7KG)	43N9040	1
Line Cord - Switzerland (models 7HG 7KG)	43N9041	1
Line Cord - India (models)	43N9042	1

9794 Line Cords	FRU#	CRU
Line cord - US (models)	41R3184	1
Line cord - US (models)	41R3185	1
Line cord - China (models)	41R3256	1

9794 Line Cords	FRU#	CRU
Line cord - China (models)	41R3257	1
Line cord - Brazil (models)	41R3270	1
Line cord - Brazil (models)	41R3271	1
Line cord - LA High Volt APU (models)	41R3176	1
Line Cord - LA High Volt APU (models)	41R3177	1
Line Cord - Korea (models)	41R3260	1
Line Cord - Korea (models)	41R3261	1
Line Cord - UK, Ireland, Singapore, Malaysia, Brunei (models 7HG 7KG)	41R3224	1
Line Cord - UK, Ireland, Singapore, Malaysia, Brunei (models 7HG 7KG)	41R3225	1
Line Cord - Taiwan (models)	41R3278	1
Line Cord - Taiwan (models)	41R3279	1
Line Cord - Italy (models 7HG 7KG)	41R3232	1
Line Cord - Italy (models 7HG 7KG)	41R3233	1
Line Cord - Indonesia, Laos, Cambodia, and Vietnam (models)	41R3208	1
Line Cord - Indonesia, Laos, Cambodia, and Vietnam (models)	41R3209	1
Line Cord - Denmark (models 7HG 7KG)	41R3212	1
Line Cord - Denmark (models 7HG 7KG)	41R3213	1
Line Cord - Switzerland (models 7HG 7KG)	41R3228	1
Line Cord - Switzerland (models 7HG 7KG)	41R3229	1
Line Cord - Israel (models 7HG 7KG)	41R3236	1
Line Cord - Israel (models 7HG 7KG)	41R3237	1
Line Cord - South Africa (models AAM ABM ACM ADM 7HG 7KG)	41R3220	1
Line Cord - South Africa (models AAM ABM ACM ADM 7HG 7KG)	41R3221	1
Line Cord - India (models)	41R3341	1
Line Cord - India (models)	41R3175	1
Line Cord - Japan (models)	41R3248	1
Line Cord - Japan (models)	41R3249	1
Line Cord - ANZ (models)	41R3196	1
Line Cord - ANZ (models)	41R3197	1
Line Cord - Hong Kong (models)	41R3224	1
Line Cord - Hong Kong (models)	41R3225	1

9794 Windows XP Home Recovery CDs	FRU#	CRU
US/UK/AP/TH (models)	TBD	1
FR/CF (models)	TBD	1
GR (models)	TBD	1
IT (models)	TBD	1
BR (models)	TBD	1
SP/LA (models)	TBD	1

9794 Windows XP Home Recovery CDs	FRU#	CRU
DK (models)	TBD	1
NL (models)	TBD	1
AE (models)	TBD	1
SV (Swedish)(models)	TBD	1
HE (models)	TBD	1
FI (models)	TBD	1
NO (models)	TBD	1
PL (models)	TBD	1
PO (models)	TBD	1
RU (models)	TBD	1
RE (models)	TBD	
HU (models)	TBD	1
CZ (models)	TBD	1
TR (models)	TBD	1
GK (models)	TBD	1
Japanese (models)	TBD	1
Simplified Chinese (models)	TBD	1
Taiwan-TC (models)	TBD	1
Hong Kong-TC (models)	TBD	1
Korean (models)	TBD	1

9794 Windows XP Pro Recovery CDs	FRU#	CRU
US English (models 7HG 7KG)	45R0756	1
French (models 7HG 7KG)	45R0759	1
German (models 7HG 7KG)	45R0760	1
Italian (models 7HG 7KG)	45R0762	1
Brazilian Portuguese (models)	45R0763	1
Spanish (models 7HG 7KG)	45R0761	1
Danish (models 7HG 7KG)	45R0764	1
Finland (models 7HG 7KG)	45R0766	1
Norwegian (models 7HG 7KG)	45R0770	1
Polish (models 7HG 7KG)	45R0777	1
Portuguese (models 7HG 7KG)	45R0774	1
Russian (models 7HG 7KG)	45R0773	1
Dutch (models 7HG 7KG)	45R0767	1
Arabic English (models 7HG 7KG)	45R2342	1
Swedish (models 7HG 7KG)	45R0765	1
Hebrew (models 7HG 7KG)	45R2334	1
Russian English (models 7HG 7KG)	45R2318	1

9794 Windows XP Pro Recovery CDs	FRU#	CRU
Hungarian (models 7HG 7KG)	45R0780	1
Czech (models 7HG 7KG)	45R0776	1
Turkish (models 7HG 7KG)	45R0775	1
Slovakian (models 7HG 7KG)	45R2326	1
Japanese (models)	45R0757	1
Simplified Chinese (models)	45R0758	1
Traditional Chinese (models)	45R0768	1
Hong Kong Traditional Chinese (models)	45R0769	1
Korea (models)	45R0771	1
Greek (models)	45R0772	1
Multilingual 1 XP-Pro -- EN, NL, FR, GR, IT (models 7HG 7KG)	45R8246	1
Multilingual 2 XP-Pro -- EN, DK, FI, NO, SV (models 7HG 7KG)	45R8247	1

9794 Vista Home Basic 32 SP1 Recovery DVDs	FRU#	CRU
English (models)	46R7273	1
Japanese (models)	46R7274	1
Simplified Chinese (models)	46R7275	1
French (models)	46R7276	1
German (models)	46R7277	1
Spanish (models)	46R7278	1
Italian (models)	46R7279	1
Brazilian Portuguese (models)	46R7280	1
Danish (models)	46R7281	1
Swedish (models)	45R9758	1
Finland (models)	45R9759	1
Dutch (models)	45R9760	1
Traditional Chinese (models)	46R7282	1
Hong Kong (models)	46R7283	1
Norwegian (models)	46R7284	1
Korean (models)	45R9764	1
Slovenian (models)	45R9765	1
Greek (models)	45R9766	1
Russian (models)	46R7285	1
Portuguese (models)	45R9768	1
Turkish (models)	45R9769	1
Czech (models)	45R9770	1
Polish (models)	45R9771	1
Russian English (models)	46R7286	1
Arabic Localized (models)	45R9773	1

9794 Vista Home Basic 32 SP1 Recovery DVDs	FRU#	CRU
Hebrew (models)	45R9774	1
Hungarian (models)	45R9775	1
Slovakian (models)	45R9776	1

9794 Vista Business 32 SP1 Recovery DVDs	FRU#	CRU
English (models AAM ABM ACM ADM)	46R7287	1
Japanese (models)	46R7288	1
Simplified Chinese (models)	46R7289	1
French (models)	46R7290	1
German (models)	46R7291	1
Spanish (models)	46R7292	1
Italian (models)	46R7293	1
Brazilian Portuguese (models)	46R7294	1
Danish (models)	46R7295	1
Swedish (models)	45R9786	1
Finland (models)	45R9787	1
Dutch (models)	45R9788	1
Traditional Chinese (models)	46R7296	1
Hong Kong (models)	46R7297	1
Norwegian (models)	46R7298	1
Korean (models)	45R9792	1
Slovenian (models)	45R9793	1
Greek (models)	45R9794	1
Russian (models)	46R7299	1
Portuguese (models)	45R9796	1
Turkish (models)	45R9797	1
Czech (models)	45R9798	1
Polish (models)	45R9799	1
Russian English (models)	46R7300	1
Arabic Localized (models)	45R9801	1
Hebrew (models)	45R9802	1
Romanian (models)	45R9803	1
Hungarian (models)	45R9804	1
Slovakian (models)	45R9805	1
Serbian-Latin (models)	45R9806	1

9794 Vista VHP SP1 Recovery DVDs	FRU#	CRU
English (models)	46R7315	1
Japanese (models)	46R7316	1

9794 Vista VHP SP1 Recovery DVDs	FRU#	CRU
Simplified Chinese (models)	46R7317	1
French (models)	46R7318	1
German (models)	46R7319	1
Spanish (models)	46R7320	1
Italian (models)	46R7321	1
Brazilian Portuguese (models)	46R7322	1
Danish (models)	46R7323	1
Swedish (models)	45R9844	1
Finland (models)	45R9845	1
Dutch (models)	45R9846	1
Traditional Chinese (models)	46R7324	1
Hong Kong (models)	46R7325	1
Norwegian (models)	46R7326	1
Korean (models)	45R9850	1
Slovenian (models)	45R9851	1
Greek (models)	45R9852	1
Russian (models)	46R7327	1
Portuguese (models)	45R9854	1
Turkish (models)	45R9855	1
Czech (models)	45R9856	1
Polish (models)	45R9857	1
Russian English (models)	46R7328	1
Arabic Localized (models)	45R9859	1
Hebrew (models)	45R9860	1
Romanian (models)	45R9861	1
Hungarian (models)	45R9862	1
Slovakian (models)	45R9863	1
Serbian-Latin (models)	45R9864	1

9794 Vista Business 64 SP1 Recovery DVDs	FRU#	CRU
English (models)	46R7301	1
Russian English (models)	46R7302	1
French (models)	46R7303	1
German (models)	46R7304	1
Spanish (models)	46R7305	1
Brazilian Portuguese (models)	46R7306	1
Italian (models)	46R7307	1
Japanese (models)	46R7308	1
Norwegian (models)	46R7309	1

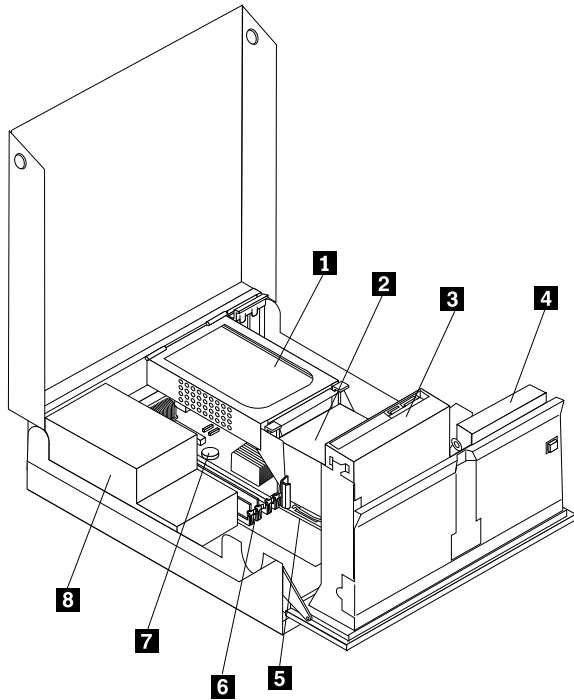
9794 Vista Business 64 SP1 Recovery DVDs	FRU#	CRU
Swedish (models)	45R9816	1
Danish (models)	45R9817	1
Dutch (models)	45R9818	1
Czech (models)	46R7310	1
Finnish (models)	46R7311	1
Polish (models)	46R7312	1
Russian (models)	45R9822	1
Turkish (models)	45R9823	1
Hungarian (models)	45R9824	1
Greek (models)	45R9825	1
Simplified Chinese (models)	46R7313	1
Taiwan (models)	45R9827	1
HongKong (models)	45R9828	1
Korea (models)	45R9829	1
Slovenian (models)	46R7314	1
Portuguese (models)	45R9831	1
Arabic Localized (models)	45R9832	1
Hebrew (models)	45R9833	1
Slovakian (models)	45R9834	1

9794 Vista Ultimate 32 SP1 Recovery DVDs	FRU#	CRU
English (models)	46R7329	1
Japanese (models)	46R7330	1
Simplified Chinese (models)	46R7331	1
French (models)	46R7332	1
German (models)	46R7333	1
Spanish (models)	46R7334	1
Italian (models)	46R7335	1
Brazilian Portuguese (models)	46R7336	1
Danish (models)	46R7337	1
Swedish (models)	45R9874	1
Finland (models)	45R9875	1
Dutch (models)	45R9876	1
Traditional Chinese (models)	46R7338	1
Hong Kong (models)	46R7339	1
Norwegian (models)	46R7340	1
Korean (models)	45R9880	1
Slovenian (models)	45R9881	1
Greek (models)	45R9882	1

9794 Vista Ultimate 32 SP1 Recovery DVDs	FRU#	CRU
Russian (models)	46R7341	1
Portuguese (models)	45R9884	1
Turkish (models)	45R9885	1
Czech (models)	45R9886	1
Polish (models)	45R9887	1
Russian English (models)	46R5089	1
Arabic Localized (models)	46R7342	1
Hebrew (models)	45R9890	1
Hungarian (models)	45R9891	1
Slovakian (models)	45R9892	1

9794 Vista Starter 32 Recovery DVDs	FRU#	CRU
English (models)	46R5059	1

Machine Type 9807



Item #	9807 FRUs	FRU#	CRU
1	Hard disk drive,SATA 80GB 7200RPM/3Gb/8MB (models)	40Y9034	2
1	Hard disk drive,SATA 160GB 7200RPM/3Gb/8MB (models AFM AFA AFQ AFT AFK AFJ)	40Y9035	2
1	Hard disk drive,SATA 320GB 7200rpm SATA/8MB (models)	87H4891	2
2	Thermal kit (all models)	41R6039	2
3	Optical drive,DVD-ROM Drive - 16x/48x - SATA Vista & non-Vista (models)	41N3325	2

Item #	9807 FRUs	FRU#	CRU
3	Optical drive,DVD-ROM/CD-RW Combo Drive - 48x/32x/48x/16x - SATA Vista & non-Vista (models)	42Y9353	2
3	Optical drive,DVD-RW/CD-RW Rambo 8 - SATA Vista & non-Vista (models AFM AFA AFQ AFT AFK AFJ)	43C1042	2
5	Microprocessor, Celeron 420 CONROE-L 800/1600MHZ-512K,LGA,EM64T(models)	43C3835	N
5	Microprocessor, Celeron 430 CONROE-L 800/1800MHZ-512K,LGA,EM64T(models)	43C1964	N
5	Microprocessor, Celeron 440 CONROE-L 800/2000MHZ-512K,LGA,EM64T(models)	43C1965	N
5	Microprocessor, Pentium Dual-core E2140 CONROE-L 800/1600MHZ-1M, LGA, EM64T (models)	43C1967	N
5	Microprocessor, Pentium Dual-core E2160 CONROE-L 800/1800MHZ-1M, LGA, EM64T (models)	43C1968	N
5	Microprocessor, Core 2 Duo E4400 L2 CONROE 800/2000MHZ-2M, LGA, EM64T (models)	43C2056	N
5	Microprocessor,Core 2 Duo E6400 B2 CONROE 1066/2130MHZ-2M, LGA, EM64T L2 Value (models)	41X2496	N
5	Microprocessor, Pentium Dual-core E2200 CONROE-L 800/2200MHZ-1M, LGA, EM64T - NPI (models)	45C5349	N
5	Microprocessor, Pentium Dual-core E2180 CONROE-L 800/2000MHZ-1M, LGA, EM64T - NPI (models)	45C1773	N
5	Microprocessor, Pentium Dual-core E2220 CONROE-L 800/2400MHZ-1M, LGA, EM64T - NPI (models)	45C1774	N
5	Microprocessor, Core 2 Duo E4600 M0 CONROE 800/2400MHZ-2M, LGA, EM64T - NPI (models)	45C5282	N
5	Microprocessor, Core 2 Duo E4500 M0 CONROE 800/2200MHZ-2M, LGA, EM64T (models)	43C6305	N
5	Microprocessor, Core 2 Duo E6850 G0 CONROE 1333/3000MHZ-4M, LGA, EM64T (models)	43C1694	N
5	Microprocessor, Core 2 Duo E6750 G0 CONROE 1333/2660MHZ-4M, LGA, EM64T (models)	43C1693	N
5	Microprocessor, Core 2 Duo E6550 G0 CONROE 1333/2330MHZ-4M, LGA, EM64T (models)	43C3833	N
5	Microprocessor, Core 2 Quad G-0 Q6700 KENTSFIELD 1066/2660MHZ-8M (models)	43C6309	N
5	Microprocessor, Core 2 Quad G-0 Q6600 KENTSFIELD 1066/2400MHZ-8M (models)	43C1695	N
5	Microprocessor, Core 2 Duo E8500 WOLFDALÉ 1333/3160MHZ-6M (models)	45C7735	N
5	Microprocessor, Core 2 Duo E8400 WOLFDALÉ 1333/3000MHZ-6M (models)	45C7736	N
5	Microprocessor, Core 2 Duo E8200 WOLFDALÉ 1333/2660MHZ-6M (models)	45C7738	N
5	Microprocessor, Core 2 Duo E8190 WOLFDALÉ 1333/2660MHZ-6M - NON VT/Vpro (models)	45R2568	N
5	Microprocessor, Core 2 Quad Q9550 C-1 YORKFIELD 2.83GHz 1333MHZ FSB 12M L2 (models)	45C7739	N
5	Microprocessor, Core 2 Quad Q9450 C-1 YORKFIELD 2.66GHz 1333MHZ FSB 12M L2 (models)	45C7740	N
5	Microprocessor, Core 2 Quad Q9300 M-1 YORKFIELD 2.5GHz 1333MHZ FSB 6M L2 (models)	45C7741	N

Item #	9807 FRUs	FRU#	CRU
5	Microprocessor, Core 2 Duo E8300 C-0 WOLFDAL E 2.83GHz 1333MHz FSB 6M L2 (models)	45C7737	N
5	Microprocessor, Core 2 Duo E7300 M-0 2.66GHz 1066MHz FSB 3M L2 (models)	46R1622	N
5	Microprocessor, Core 2 Duo E7200 M-0 2.53GHz 1066MHz FSB 3M L2 (models)	45R8337	N
5	Microprocessor, Core 2 Duo E4700 G-0 2.6GHz 800MHz FSB 2M L2 (models)	45R5786	N
5	Microprocessor, Celeron Dual Core E1400 M-0 2.0GHz 800MHz FSB 512K L2 (models)	45R8339	N
5	Microprocessor, Celeron Dual Core E1200 M-0 1.6GHz 800MHz FSB 512K L2, LGA, EM64T - NPI (models)	45R8341	N
5	Microprocessor, Core 2 Duo E8600 E-0 WOLFDAL E 3.33GHz 1333MHz FSB 6M L2 (models)	46R8640	N
6	Memory module, 512 MB PC-5300 (667MHz) DDR2 SDRAM (models AFM AFA AFQ AFT AFK AFJ)	41X4255	2
6	Memory module, 1 GB PC-5300 (667MHz) DDR2 SDRAM (models)	41X4256	2
6	Memory module, 2 GB PC-5300 (667MHz) DDR2 SDRAM (models)	41X4257	2
6	Memory module, 512 MB PC2-6400 (800MHz) DDR2 SDRAM (models)	41X1079	2
6	Memory module, 1GB PC-6400 (800MHz) DDR2 SDRAM (models)	41X1080	2
6	Memory module, 2GB PC-6400 (800MHz) DDR2 SDRAM (models)	41X1081	2
7	System board, Intel G31 nano-BTX GA Level (models AFM AFA AFQ AFT AFK AFJ)	53Y3195	N
8	Power supply, 280W Active PFC power supply for 10L---all countries (models AFM AFA AFQ AFT AFK AFJ)	41A9701	2
8	Power supply, 280W 80+ power supply for 10L---all countries (models AFM AFA AFQ AFT AFK AFJ)	41A9717	2
8	Power supply, 280W Active PFC power supply for 10L---all countries (LX-607) (models AFM AFA AFQ AFT AFK AFJ)	45J9418	2
8	Power supply, 280W 80+ power supply for 10L---all countries (LX-607) (models AFM AFA AFQ AFT AFK AFJ)	45J9427	2

The FRUs listed in the following tables are not illustrated.

9807 FRUs	FRU#	CRU
Power switch/LED cable assembly (all models)	41R3391	2
USB cable assembly (all models)	41R3392	2
SATA cable, 120mm (all models)	41R3328	2
SATA cable, 700mm (all models)	39K5026	2
Speaker/Cable assembly (all models)	39K5012	2
Temp Sense cable (460 mm) (all models)	41R2509	2
System Fan assembly (all models)	41R6249	2
Floor Stand and Vertical Deflector (all models)	41R6251	2
Cpu Support Module (all models)	41R6252	N
HDD Tray assembly (all models)	41R6253	2
Internal Plastic (all models)	41R6254	2
Bezel, Plastic (all models)	41R6255	2

9807 FRUs	FRU#	CRU
Front rotating cage assembly (all models)	41R6256	N
Top cover assembly (all models)	41R6257	2
L1-C2 intrusion switch (all models)	39K5022	2
Fan for SFF (all models)	41R6042	2
Rell IO shield BTX atlantic (all models)	41R6381	N
C2 Intrusion Switch (all models)	39K5022	2
Chassis atlantic (all models)	41R6275	N
10L FRONT I/O CABLE RoHS (all models)	43N9015	2
Cabel-SATA 700mm (RoHS) (models)	43N9011	2
FDD Retainer, 607AT, SFF (LX-607) (all models)	43N9681	2
Vertical Stand, Tampa/607CT (all models)	43N9644	N
HDD bracket ASM (all models)	43N9690	2
HDD bracket with cover b, for Toyota, Flex (all models)	43N9691	2
Universal Adapter Bracket 5.25 to 3.5 (models)	43N9361	2
ODD mounting kit, 607AT (models)	43N9362	2
Cardreader Bezel Kit, 607AT (models)	43N9363	2
Fru,Tamdhu chassis primary HDD cage (all models)	45K6272	1
Fru,Tamdhu ruber foot(For acoustic improvement) (all models)	45K6278	2
Slim FDD (models)	40Y9109	2

9807 Keyboard (Preferred Pro Fullsize PS/2)	FRU#	CRU Tier
US English (models)	41A5039	1
Arabic (models)	41A5040	1
Arabic/French (models)	41A5041	1
Belgian French (models)	41A5042	1
Belgium English (models)	41A5043	1
Brazilian Portuguese (models)	41A5044	1
Bulgarian (models)	41A5045	1
Chinese/US (models)	41A5046	1
Czech (ABB) (models)	41A5047	1
Danish (models)	41A5048	1
Dutch (models)	41A5049	1
French (models)	41A5050	1
French Canadian (models)	41A5051	1
French Canadian (models)	41A5052	1
German (models)	41A5053	1
Greek (models)	41A5054	1
Greek/US (models)	41A5080	1

9807 Keyboard (Preferred Pro Fullsize PS/2)	FRU#	CRU Tier
Hebrew (models)	41A5055	1
Hungarian (models)	41A5056	1
Iceland (models)	41A5057	1
Japanese (models)	41A5058	1
Korean (models)	41A5059	1
LA Spanish (models)	41A5060	1
Italian (models)	41A5061	1
Norwegian (models)	41A5062	1
Polish (models)	41A5063	1
Portuguese (models)	41A5064	1
Romanian (models)	41A5065	1
Russian/Cyrillic (models)	41A5066	1
Serbian/Cyrillic (models)	41A5067	1
Slovak (models)	41A5068	1
Spanish (models)	41A5069	1
Swedish/Finnish (models)	41A5070	1
Swiss French/German (models)	41A5071	1
Thailand (models)	41A5072	1
Turkish (models)	41A5073	1
Turkish (models)	41A5074	1
UK English (models)	41A5074	1
US Euro (models)	41A5075	1
Slovenian (models)	41A5077	1

9807 Keyboard (Lenovo USB Preferred -- without hub)	FRU#	CRU Tier
US English (models AFM AFA AFQ)	41A5289	1
Arabic (models)	41A5290	1
Arabic/French (models)	41A5291	1
Belgian French (models)	41A5292	1
Belgium English (models)	41A5293	1
Brazilian Portuguese (models)	41A5294	1
Bulgarian (models)	41A5295	1
Chinese/US (models)	41A5296	1
Czech (ABB) (models)	41A5297	1
Danish (models)	41A5298	1
Dutch (models)	41A5299	1
French (models)	41A5300	1
French Canadian (models)	41A5301	1

9807 Keyboard (Lenovo USB Preferred -- without hub)	FRU#	CRU Tier
French Canadian (models)	41A5302	1
German (models)	41A5303	1
Greek (models)	41A5304	1
Greek/US (models)	41A5305	1
Hebrew (models)	41A5306	1
Hungarian (models)	41A5307	1
Iceland (models)	41A5308	1
Japanese (models AFJ)	41A5310	1
Korean (models AFK)	41A5311	1
LA Spanish (models)	41A5312	1
Italian (models)	41A5309	1
Norwegian (models)	41A5313	1
Polish (models)	41A5314	1
Portuguese (models)	41A5315	1
Romanian (models)	41A5317	1
Russian/Cyrillic (models)	41A5318	1
Serbian/Cyrillic (models)	41A5319	1
Slovak (models)	41A5320	1
Spanish (models)	41A5321	1
Swedish/Finnish (models)	41A5322	1
Swiss French/German (models)	41A5323	1
Thailand (models AFT)	41A5324	1
Turkish (models)	41A5325	1
Turkish (models)	41A5326	1
UK English (models)	41A5327	1
US Euro (models)	41A5328	1
Slovenian (models)	41A5329	1

9807 Keyboard (Lenovo Enhanced Perf, USB Preferred -- with hub)	FRU#	CRU Tier
US English (models)	41A4961	1
Arabic (models)	41A4962	1
Arabic/French (models)	41A4963	1
Belgian/French (models)	41A4964	1
Belgium English (models)	41A4965	1
Brazilian Portuguese (models)	41A4966	1
Bulgarian (models)	41A4967	1
Chinese/US (models)	41A4968	1
Czech (ABB) (models)	41A4969	1

9807 Keyboard (Lenovo Enhanced Perf, USB Preferred -- with hub)	FRU#	CRU Tier
Danish (models)	41A4970	1
Dutch (models)	41A4971	1
French (models)	41A4972	1
French Canadian (models)	41A4973	1
French Canadian (models)	41A4974	1
German (models)	41A4975	1
Greek (models)	41A4976	1
Greek/US (models)	41A5078	1
Hebrew (models)	41A4977	1
Hungarian (models)	41A4978	1
Iceland (models)	41A4979	1
Italy (models)	41A4980	1
Japanese (models)	41A4981	1
Korean (models)	41A4982	1
LA Spanish (models)	41A4983	1
Norwegian (models)	41A4984	1
Polish (models)	41A4985	1
Portuguese (models)	41A4986	1
Romanian (models)	41A4987	1
Russian/Cyrillic (models)	41A4988	1
Serbian/Cyrillic (models)	41A4989	1
Slovak (models)	41A4990	1
Spanish (models)	41A4991	1
Swedish/Finnish (models)	41A4992	1
Swiss French/German (models)	41A4993	1
Thailand (models)	41A4994	1
Turkish (models)	41A4995	1
Turkish (models)	41A4996	1
UK English (models)	41A4997	1
US Euro (models)	41A4998	1
Slovenian (models)	41A4999	1

9807 Keyboard (Lenovo Fingerprint Reader USB)	FRU#	CRU Tier
US English (models)	41A5248	1
Arabic (models)	41A5249	1
Arabic/French (models)	41A5250	1
Belgian French (models)	41A5251	1
Belgium English (models)	41A5252	1

9807 Keyboard (Lenovo Fingerprint Reader USB)	FRU#	CRU Tier
Brazilian Portuguese (models)	41A5253	1
Bulgarian (models)	41A5254	1
Chinese/US (models)	41A5255	1
Czech (ABB) (models)	41A5256	1
Danish (models)	41A5257	1
Dutch (models)	41A5258	1
French (models)	41A5259	1
French Canadian (models)	41A5260	1
French Canadian (models)	41A5261	1
German (models)	41A5262	1
Greek (models)	41A5263	1
Greek/US (models)	41A5264	1
Hebrew (models)	41A5265	1
Hungarian (models)	41A5266	1
Iceland (models)	41A5267	1
Italy (models)	41A5268	1
Japanese (models)	41A5269	1
Korean (models)	41A5270	1
LA Spanish (models)	41A5271	1
Norwegian (models)	41A5272	1
Polish (models)	41A5273	1
Portuguese (models)	41A5274	1
Romanian (models)	41A5276	1
Russian/Cyrillic (models)	41A5277	1
Serbian/Cyrillic (models)	41A5278	1
Slovak (models)	41A5279	1
Spanish (models)	41A5280	1
Swedish/Finnish (models)	41A5281	1
Swiss French/German (models)	41A5282	1
Thailand (models)	41A5283	1
Turkish (models)	41A5284	1
Turkish (models)	41A5285	1
UK English (models)	41A5286	1
US Euro (models)	41A5287	1
Slovenian (models)	41A5288	1

9807 mice	FRU#	CRU
Optical Wheel Mouse (400DPI, USB) (all models)	41U3013	1
Optical Wheel Mouse (400DPI, USB) (all models)	41U3030	1
PS/2 Three Button ball mouse (41R0017) (models)	41R0018	1

9807 Adapters and miscellaneous FRUs	FRU#	CRU
USB Memory Key - 1G RoW (models)	41U4978	1
USB Memory Key (models)	43R2296	2
IEEE 1394 Firewire Adapter SFF (models)	41D2781	2
Soft Modem V.90/V.44 SFF (models CTO)	46R4220	2
Internal USB Memory Card Reader Slim (models)	45R1885	1
ATI HD 2400PRO 128MB 64BIT DMS59 LP (models)	43C0259	2
ATI HD 2400XT 256MB 64BIT DMS59 ATX (models)	43C0260	2
ADD2 DVI Adapter,LP (HDCP) (models)	43C0258	2
DVI-I connection Adapter Full Height (models)	39J9334	2
DVI-I connection Adapter Low Profile (models)	39J9334	2
Speaker Power brick - US, Canada, LA low voltage, ASEAN (models)	89P8571	1
Speaker Power brick - LA high voltage (non-APU) (models)	89P8575	1
Speaker Power brick - China, Thailand (models)	89P8581	1
Speaker Power brick - Japan (models)	89P8577	1
Speaker Power brick - Brazil (models)	89P8583	1
Speaker Power brick - Argentina (models)	41A4901	1
Speaker Power brick - ANZ (models)	89P8579	1
Speaker Brick - Korea (models)	41A4903	1
Speaker Brick - Hong Kong, EMEA (models)	89P8573	1
Speaker Brick - Taiwan (models)	41A4905	1
Speaker Power brick - India, South Africa (models)	89P8585	1
Dongle DMS Dule DMS-59 to dual VGA Cable (models)	42Y8181	2
Dongle DMS Dule DMS-59 to dual DVI Cable (models)	41X6398	2

9807 Line Cords	FRU#	CRU
Line cord - US (models AFA AFT)	41R3184	1
Line cord - US (models AFA AFT)	41R3185	1
Line cord - China (models)	41R3256	1
Line cord - China (models)	41R3257	1
Line cord - Brazil (models)	41R3270	1
Line cord - Brazil (models)	41R3271	1
Line cord - LA High Volt APU (models)	41R3176	1
Line Cord - LA High Volt APU (models)	41R3177	1
Line Cord - Korea (models AFK)	41R3260	1

9807 Line Cords	FRU#	CRU
Line Cord - Korea (models AFK)	41R3261	1
Line Cord - UK, Ireland, Singapore, Malaysia, Brunei (models AFA)	41R3224	1
Line Cord - UK, Ireland, Singapore, Malaysia, Brunei (models AFA)	41R3225	1
Line Cord - Taiwan (models)	41R3278	1
Line Cord - Taiwan (models)	41R3279	1
Line Cord - Italy (models AFA)	41R3232	1
Line Cord - Italy (models AFA)	41R3233	1
Line Cord - Indonesia, Laos, Cambodia, and Vietnam (models)	41R3208	1
Line Cord - Indonesia, Laos, Cambodia, and Vietnam (models)	41R3209	1
Line Cord - Denmark (models)	41R3212	1
Line Cord - Denmark (models)	41R3213	1
Line Cord - Switzerland (models)	41R3228	1
Line Cord - Switzerland (models)	41R3229	1
Line Cord - Israel (models)	41R3236	1
Line Cord - Israel (models)	41R3237	1
Line Cord - South Africa (models AFM AFA)	41R3220	1
Line Cord - South Africa (models AFM AFA)	41R3221	1
Line Cord - India (models AFQ)	41R3341	1
Line Cord - Japan (models AFJ)	41R3248	1
Line Cord - ANZ (models AFM)	41R3196	1
Line Cord - Japan (models AFJ)	41R3249	1
Line Cord - ANZ (models AFM)	41R3197	1
Line Cord - India (models AFQ)	41R3175	1

9807 Windows XP Home Recovery CDs	FRU#	CRU
US/UK/AP/TH (models)	TBD	1
FR/CF (models)	TBD	1
GR (models)	TBD	1
IT (models)	TBD	1
BR (models)	TBD	1
SP/LA (models)	TBD	1
DK (models)	TBD	1
NL (models)	TBD	1
AE (models)	TBD	1
SV (models)	TBD	1
HE (models)	TBD	1
FI (models)	TBD	1
NO (models)	TBD	1
PL (models)	TBD	1

9807 Windows XP Home Recovery CDs	FRU#	CRU
PO (models)	TBD	1
RU (models)	TBD	1
RE (models)	TBD	1
HU (models)	TBD	1
CZ (models)	TBD	1
TR (models)	TBD	1
GK (models)	TBD	1
Japanese (models)	TBD	1
Simplified Chinese (models)	TBD	1
Taiwan-TC (models)	TBD	1
Hong Kong-TC (models)	TBD	1
Korean (models)	TBD	1

9807 Windows XP Pro Recovery CDs	FRU#	CRU
US English (models)	45R0756	1
French (models)	45R0759	1
German (models)	45R0760	1
Italian (models)	45R0762	1
Spanish (models)	45R0761	1
Dutch (models)	45R0767	1
Swedish (models)	45R0765	1
Hebrew (models)	45R2334	1
Norwegian (models)	45R0770	1
Polish (models)	45R0777	1
Portuguese (models)	45R0774	1
Russian (models)	45R0773	1
Hungarian (models)	45R0780	1
DK (models)	45R0764	1
FI (models)	45R0766	1
CZ (models)	45R0776	1
TR (models)	45R0775	1
GK (models)	45R0772	1
SL (models)	45R2326	1
Japanese (models)	45R0757	1
Simplified Chinese (models)	45R0758	1
Taiwan-TC (models)	45R0768	1
Hong Kong-TC (models)	45R0769	1
Korean (models)	45R0771	1

9807 Windows XP Pro Recovery CDs	FRU#	CRU
Multilingual 1 XP-Pro -- EN, NL, FR, GR, IT (models)	45R8246	1
Multilingual 2 XP-Pro -- EN, DK, FI, NO, SV (models)	45R8247	1

9807 Vista Home Basic 32 SP1 Recovery DVDs	FRU#	CRU
English (models)	46R7273	1
Japanese (models)	46R7274	1
Simplified Chinese (models)	46R7275	1
French (models)	46R7276	1
German (models)	46R7277	1
Spanish (models)	46R7278	1
Italian (models)	46R7279	1
Brazilian Portuguese (models)	46R7280	1
Danish (models)	46R7281	1
Swedish (models)	45R9758	1
Finland (models)	45R9759	1
Dutch (models)	45R9760	1
Traditional Chinese (models)	46R7282	1
Hong Kong (models)	46R7283	1
Norwegian (models)	46R7284	1
Korean (models)	45R9764	1
Slovenian (models)	45R9765	1
Greek (models)	45R9766	1
Russian (models)	46R7285	1
Portuguese (models)	45R9768	1
Turkish (models)	45R9769	1
Czech (models)	45R9770	1
Polish (models)	45R9771	1
Russian English (models)	46R7286	1
Arabic Localized (models)	45R9773	1
Hebrew (models)	45R9774	1
Hungarian (models)	45R9775	1
Slovakian (models)	45R9776	1

9807 Vista Business 32 SP1 Recovery DVDs	FRU#	CRU
English (models AFM AFA AFQ)	46R7287	1
Japanese (models AFJ)	46R7288	1
Simplified Chinese (models)	46R7289	1
French (models)	46R7290	1
German (models)	46R7291	1

9807 Vista Business 32 SP1 Recovery DVDs	FRU#	CRU
Spanish (models)	46R7292	1
Italian (models)	46R7293	1
Brazilian Portuguese (models)	46R7294	1
Danish (models)	46R7295	1
Swedish (models)	45R9786	1
Finland (models)	45R9787	1
Dutch (models)	45R9788	1
Traditional Chinese (models)	46R7296	1
Hong Kong (models)	46R7297	1
Norwegian (models)	46R7298	1
Korean (models AFK)	45R9792	1
Slovenian (models)	45R9793	1
Greek (models)	45R9794	1
Russian (models)	46R7299	1
Portuguese (models)	45R9796	1
Turkish (models)	45R9797	1
Czech (models)	45R9798	1
Polish (models)	45R9799	1
Russian English (models)	46R7300	1
Arabic Localized (models)	45R9801	1
Hebrew (models)	45R9802	1
Romanian (models)	45R9803	1
Hungarian (models)	45R9804	1
Slovakian (models)	45R9805	1
Serbian-Latin (models)	45R9806	1

9807 Vista VHP SP1 Recovery DVDs	FRU#	CRU
English (models)	46R7315	1
Japanese (models)	46R7316	1
Simplified Chinese (models)	46R7317	1
French (models)	46R7318	1
German (models)	46R7319	1
Spanish (models)	46R7320	1
Italian (models)	46R7321	1
Brazilian Portuguese (models)	46R7322	1
Danish (models)	46R7323	1
Swedish (models)	45R9844	1
Finland (models)	45R9845	1
Dutch (models)	45R9846	1

9807 Vista VHP SP1 Recovery DVDs	FRU#	CRU
Traditional Chinese (models)	46R7324	1
Hong Kong (models)	46R7325	1
Norwegian (models)	46R7326	1
Korean (models)	45R9850	1
Slovenian (models)	45R9851	1
Greek (models)	45R9852	1
Russian (models)	46R7327	1
Portuguese (models)	45R9854	1
Turkish (models)	45R9855	1
Czech (models)	45R9856	1
Polish (models)	45R9857	1
Russian English (models)	46R7328	1
Arabic Localized (models)	45R9859	1
Hebrew (models)	45R9860	1
Romanian (models)	45R9861	1
Hungarian (models)	45R9862	1
Slovakian (models)	45R9863	1
Serbian-Latin (models)	45R9864	1

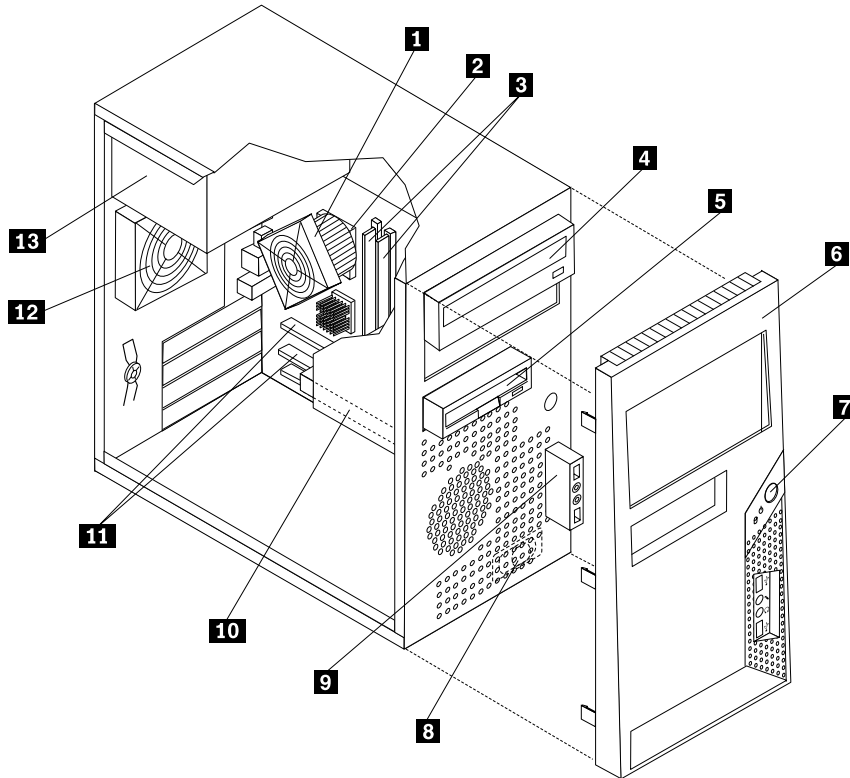
9807 Vista Business 64 SP1 Recovery DVDs	FRU#	CRU
English (models)	46R7301	1
Russian English (models)	46R7302	1
French (models)	46R7303	1
German (models)	46R7304	1
Spanish (models)	46R7305	1
Brazilian Portuguese (models)	46R7306	1
Italian (models)	46R7307	1
Japanese (models)	46R7308	1
Norwegian (models)	46R7309	1
Swedish (models)	45R9816	1
Danish (models)	45R9817	1
Dutch (models)	45R9818	1
Czech (models)	46R7310	1
Finnish (models)	46R7311	1
Polish (models)	46R7312	1
Russian (models)	45R9822	1
Turkish (models)	45R9823	1
Hungarian (models)	45R9824	1
Greek (models)	45R9825	1

9807 Vista Business 64 SP1 Recovery DVDs	FRU#	CRU
Simplified Chinese (models)	46R7313	1
Taiwan (models)	45R9827	1
HongKong (models)	45R9828	1
Korea (models)	45R9829	1
Slovenian (models)	46R7314	1
Portuguese (models)	45R9831	1
Arabic Localized (models)	45R9832	1
Hebrew (models)	45R9833	1
Slovakian (models)	45R9834	1

9807 Vista Ultimate 32 SP1 Recovery DVDs	FRU#	CRU
English (models)	46R7329	1
Japanese (models)	46R7330	1
Simplified Chinese (models)	46R7331	1
French (models)	46R7332	1
German (models)	46R7333	1
Spanish (models)	46R7334	1
Italian (models)	46R7335	1
Brazilian Portuguese (models)	46R7336	1
Danish (models)	46R7337	1
Swedish (models)	45R9874	1
Finland (models)	45R9875	1
Dutch (models)	45R9876	1
Traditional Chinese (models)	46R7338	1
Hong Kong (models)	46R7339	1
Norwegian (models)	46R7340	1
Korean (models)	45R9880	1
Slovenian (models)	45R9881	1
Greek (models)	45R9882	1
Russian (models)	46R7341	1
Portuguese (models)	45R9884	1
Turkish (models)	45R9885	1
Czech (models)	45R9886	1
Polish (models)	45R9887	1
Russian English (models)	45R9888	1
Arabic Localized (models)	46R7342	1
Hebrew (models)	45R9890	1
Hungarian (models)	45R9891	1
Slovakian (models)	45R9892	1

9807 Vista Starter 32 Recovery DVDs	FRU#	CRU
English (models)	45R9748	1

Machine Type 9851



Item #	9851 FRUs	FRU#	CRU Tier
1	Intel 65W/95W Heatsink Kit (Tower) (all models)	41R6429	2
2	Microprocessor, Celeron 420 CONROE-L 800/1600MHZ-512K,LGA, EM64T (models)	43C3835	N
2	Microprocessor, Celeron 430 CONROE-L 800/1800MHZ-512K,LGA, EM64T (models BEP BFP BDP BGP BHP 7AG C6P C2P 7UG)	43C1964	N
2	Microprocessor, Celeron 440 CONROE-L 800/2000MHZ-512K,LGA, EM64T (models)	43C1965	N
2	Microprocessor, Pentium Dual-core E2140 CONROE-L 800/1600MHZ-1M, LGA, EM64T (models)	43C1967	N
2	Microprocessor, Pentium Dual-core E2160 CONROE-L 800/1800MHZ-1M, LGA, EM64T (models AAB AAH AQV ASA AST ATP AEA AET AVS AVY AXU AXF B1U B1F B2U B2F B3U B3F BLP BMP BJP BKP BNP)	43C1968	N
2	Microprocessor, Core 2 Duo E4400 L2 CONROE 800/2000MHZ-2M, LGA, EM64T (models)	43C2056	N
2	Microprocessor, Core 2 Duo E6400 B2 CONROE 1066/2130MHZ-2M, LGA, EM64T L2 Value (models)	41X2496	N
2	Microprocessor, Pentium Dual-core E2200 CONROE-L 800/2200MHZ-1M, LGA, EM64T - NPI (models CTO 8LG)	45C5349	N
2	Microprocessor, Pentium Dual-core E2180 CONROE-L 800/2000MHZ-1M, LGA, EM64T - NPI (models CTO)	45C1773	N

Item #	9851 FRUs	FRU#	CRU Tier
2	Microprocessor, Pentium Dual-core E2220 CONROE-L 800/2400MHZ-1M, LGA, EM64T - NPI (models CTO)	45C1774	N
2	Microprocessor, Core 2 Duo E4600 M0 CONROE 800/2400MHZ-2M, LGA, EM64T - NPI (models CTO)	45C5282	N
2	Microprocessor, Core 2 Duo E4500 M0 CONROE 800/2200MHZ-2M, LGA, EM64T (models CTO)	43C6305	N
2	Microprocessor, Core 2 Duo E6850 G0 CONROE 1333/3000MHZ-4M, LGA, EM64T (models CTO)	43C1694	N
2	Microprocessor, Core 2 Duo E6750 G0 CONROE 1333/2660MHZ-4M, LGA, EM64T (models CTO)	43C1693	N
2	Microprocessor, Core 2 Duo E6550 G0 CONROE 1333/2330MHZ-4M, LGA, EM64T (models CTO)	43C3833	N
2	Microprocessor, Core 2 Quad G-0 Q6700 KENTSFIELD 1066/2660MHZ-8M (models CTO)	43C6309	N
2	Microprocessor, Core 2 Quad G-0 Q6600 KENTSFIELD 1066/2400MHZ-8M (models CTO 8KG 8JG)	43C1695	N
2	Microprocessor, Core 2 Duo E8500 WOLFDAL E 1333/3160MHZ-6M (models CTO)	45C7735	N
2	Microprocessor, Core 2 Duo E8400 WOLFDAL E 1333/3000MHZ-6M (models CTO)	45C7736	N
2	Microprocessor, Core 2 Duo E8200 WOLFDAL E 1333/2660MHZ-6M (models CTO)	45C7738	N
2	Microprocessor, Core 2 Duo E8190 WOLFDAL E 1333/2660MHZ-6M - NON VT/vpro (models CTO)	45R2568	N
2	Microprocessor, Core 2 Quad Q9550 C-1 YORKFIELD 2.83GHz 1333MHZ FSB 12M L2 (models CTO)	45C7739	N
2	Microprocessor, Core 2 Quad Q9450 C-1 YORKFIELD 2.66GHz 1333MHZ FSB 12M L2 (models CTO)	45C7740	N
2	Microprocessor, Core 2 Quad Q9300 M-1 YORKFIELD 2.5GHz 1333MHZ FSB 6M L2 (models CTO)	45C7741	N
2	Microprocessor, Core 2 Duo E8300 C-0 WOLFDAL E 2.83GHz 1333MHZ FSB 6M L2 (models CTO)	45C7737	N
2	Microprocessor, Core 2 Duo E7300 M-0 2.66GHz 1066MHz FSB 3M L2 (models CTO 8MG)	46R1622	N
2	Microprocessor, Core 2 Duo E7200 M-0 2.53GHz 1066MHz FSB 3M L2 (models CTO)	45R8337	N
2	Microprocessor, Core 2 Duo E4700 G-0 2.6GHz 800MHz FSB 2M L2 (models CTO)	45R5786	N
2	Microprocessor, Celeron Dual Core E1400 M-0 2.0GHz 800MHz FSB 512K L2 (models CTO)	45R8339	N
2	Microprocessor, Celeron Dual Core E1200 M-0 1.6GHz 800MHz FSB 512K L2, LGA, EM64T - NPI (models CTO 8BG 8UG)	45R8341	N
2	Microprocessor, Core 2 Duo E8600 E-0 WOLFDAL E 3.33GHz 1333MHZ FSB 6M L2 (models CTO)	46R8640	N
3	Memory module, 512 MB PC-5300 (667MHz) DDR2 SDRAM (models AAB AAH ABB ABH AQV B1U B1F B2U B2F BEP BFP BLP BBH BDP BGP BJP BKP BVV BWV C6P C2P)	41X4255	2

Item #	9851 FRUs	FRU#	CRU Tier
3	Memory module, 1 GB PC-5300 (667MHz) DDR2 SDRAM (models ACB ACH APV ARA ART ASA AST AKM AKA AKT ALM ALA ALT ALK AMK ATP AUP AEA AET AHM AHA AHT AHJ ANC AVS AVY AWS AWY B3U B3F B5U B5F BMP BPP A2P A6U A6F A7U A7F BAU BAF A5H BCV BHP BNP BQP BRP A3P A4S A4D A4Y B4U B4F BSU BSF 7GG 7HG 7AG 7BG 7CG 7DG BTH BUH BZS BZD BZY C3P C4P C5P C7P C8P C9P CAS CAD CAY CBS CBP CBD CBY BYU BYF CCU CCF CDU CDF C4U C4F C9U C9F 7PG 7RG 7KG 7LG 7MG 7NG 7UG 8WC 71G 72G 73G 74G F4B F4H 86G 87G 8AG 8BG 8UG)	41X4256	2
3	Memory module, 2 GB PC-5300 (667MHz) DDR2 SDRAM (models 88G 89G)	41X4257	2
3	Memory module, 512 MB PC2-6400 (800MHz) DDR2 SDRAM (models)	41X1079	2
3	Memory module, 1GB PC-6400 (800MHz) DDR2 SDRAM (models)	41X1080	2
3	Memory module, 2GB PC-6400 (800MHz) DDR2 SDRAM (models)	41X1081	2
4	DVD-ROM Drive - 16x/48x - SATA Vista & non-Vista (models AAB AAH ABB ABH APV ATP AVS AVY B1U B1F BEP BPP BBH BCV BDP BGP BJP 7AG BTH BVV BWV C5P C7P 8SH 7UG 8WC F4B F4H)	41N3325	2
4	DVD-ROM Drive - DVD-ROM/CD-RW Combo Drive - 48x/32x/48x/16x - SATA Vista & non-Vista (models ASA AST AUP AHM AHA AHT AHJ AWS AWY B2U B2F B4U B4F BFP BLP BMP A2P A6U A6F BHP BKP BNP BQP C4P C9P)	42Y9353	2
4	DVD-ROM Drive - DVD-RW/CD-RW Rambo 8 - SATA Vista & non-Vista (models ACB ACH AQV ARA ART AKM AKA AKT ALM ALA ALT ALK AMK AKM AKA AKT ALM ALA ALT ALK AMK ANC B3U B3F B5U B5F BAU BAF A5H BRP A3P A4S A4D A4Y A7U A7F 7GG 7HG 7BG 7CG 7DG BUH BZS BZD BZY C2P C3P C8P CAS CAD CAY CBS CBP CBD CBY BYU BYF CCU CCF CDU CDF 7PG 7RG 7KG 7LG 7MG 7NG 7UG 71G 72G 73G 74G 86G 87G 88G 89G 8AG 8BG 8KG 8LG 8MG 8JG 8PG 8NG 8UG)	43C1042	2
5	Diskette drive, 3.5" 1.44MB 2 Mode FDD with Bezel and cable (models ASA AST BEP BFP BLP BMP BPP A2P BDP BGP BHP BJP BKP BNP BQP BRP A3P)	40Y9107	2
5	Diskette drive, 3.5" 1.44MB 2 Mode FDD with Bezel and cable (models ASA AST BEP BFP BLP BMP BPP A2P BDP BGP BHP BJP BKP BNP BQP BRP A3P)	40Y9105	2
6	Bezel assembly without IBM mark (all models)	41R6243	2
7	Power switch/LED assembly (all models)	41N5284	2
8	Speaker assembly, soldered terminals (all models)	39P5023	2
9	Front audio/USB assembly (all models)	41N8054	2
10	Hard disk drive, SATA 80GB 7200RPM/3Gb/8MB (models AAB B1U B1F BDP)	40Y9034	2
10	Hard disk drive, SATA 160GB 7200RPM/3Gb/8MB (models ABB ABH ACB ACH APV AQV ASA AST ATP AUP AEA AET AHM AHA AHT AHJ ANC AVS AVY B2U B2F B3U B3F B4U B4F B5U B5F BEP BFP BLP BMP BPP A2P A6U A6F A7U A7F A9U A9F BSU BSF BBH BCV BGP BHP BJP BKP BJP BNP BQP BRP A3P A4S A4D A4Y 7RG 7NG 8SH 7UG 8WC 7UG 72G F4B F4H 8AG 8BG 8UG)	40Y9035	2
10	Hard disk drive, SATA 320GB 7200rpm SATA/8MB (models ARA ART AKM AKA AKT ALM ALA ALT AMK A8U A8F BAU BAF 7PG 7LG 7KG 71G 73G 74G 86G 87G 88G 89G)	87H4891	2
11	System board , Intel G31 mATX GA Level (models AAB AAH ABB ABH ACB ACH APV AQV ARA ART ASA AST AKM AKA AKT ALM ALA ALT ALK AMK ATP AUP AEA AET AHM AHA AHT AHJ ANC AVS AVY AWS AWY B1U B1F B2U B2F B3U B3F B4U B4F B5U B5F BEP BFP BLP BMP BPP A2P A6U A6F A7U A7F BAU BAF BBH A5H BCV BDP BGP BHP BJP BKP BNP BQP BRP A3P A4S A4D A4Y BSU BSF 7GG 7HG 7AG 7BG 7CG 7DG BTH BUH BVV BWV BZS BZD BZY C6P C2P C3P C4P C5P C7P C8P C9P CAS CAD CAY CBS CBP CBD CBY BYU BYF CCU CCF CDU CDF C4U C4F C9U C9F 7PG 7RG 7KG 7LG 7MG 7NG 8SH 8TH 7UG 8WC 71G 72G 73G 74G F4B F4H 86G 87G 88G 89G 8AG 8BG 8KG 8LG 8MG 8JG 8PG 8NG 8UG)	53Y3282	N

Item #	9851 FRUs	FRU#	CRU Tier
12	Fan, 4 Pin System Fan (all models)	41R6269	2
13	Power supply, ATX 280W Power supply; Robust; for all countries except for JP (models ACB ACH APV ARA ART ASA AST AKM AKA AKT ALM ALA ALT ALK AMK ATP AUP AEA AET AHM AHA AHT ANC AVS AVY AWS AWY B1U B1F B2U B2F B3U B3F B4U B4F B5U B5F BEP BFP BLP BMP BPP A2P A6U A6F A7U A7F BAU BAF BBH A5H BCV BDP BGP BHP BJP BKP BNP BQP BRP A3P A4S A4D A4Y BSU BSF 7GG 7HG 7AG 7BG 7CG 7DG BTH BUH BVV BWV BZS BZD BZY C6P C2P C3P C4P C5P C7P C8P C9P CAS CAD CAY CBS CBP CBD CBY BYU BYF CCU CCF CDU CDF C4U C4F C9U C9F 7PG 7RG 7KG 7LG 7MG 7NG 8SH 8TH 7UG 8WC 71G 72G 73G 74G F4B F4H 86G 87G 88G 89G 8AG 8BG 8KG 8LG 8MG 8JG 8PG 8NG 8UG)	41A9684	2
13	Power supply, ATX 280W 80% power supply;for all countries (models ACB ACH APV ARA ART ASA AST AKM AKA AKT ALM ALA ALT ALK AMK ATP AUP AEA AET AHM AHA AHT ANC AVS AVY AWS AWY B1U B1F B2U B2F B3U B3F B4U B4F B5U B5F BEP BFP BLP BMP BPP A2P A6U A6F A7U A7F BAU BAF BBH A5H BCV BDP BGP BHP BJP BKP BNP BQP BRP A3P A4S A4D A4Y BSU BSF 7GG 7HG 7AG 7BG 7CG 7DG BTH BUH BVV BWV BZS BZD BZY C6P C2P C3P C4P C5P C7P C8P C9P CAS CAD CAY CBS CBP CBD CBY BYU BYF CCU CCF CDU CDF C4U C4F C9U C9F 7PG 7RG 7KG 7LG 7MG 7NG 8SH 8TH 7UG 8WC 71G 72G 73G 74G F4B F4H 86G 87G 88G 89G 8AG 8BG 8KG 8LG 8MG 8JG 8PG 8NG 8UG)	41A9665	2
13	Power supply, ATX 310W Power supply Robust; for all countries (models ACB ACH APV ARA ART ASA AST AKM AKA AKT ALM ALA ALT ALK AMK ATP AUP AEA AET AHM AHA AHT ANC AVS AVY AWS AWY B1U B1F B2U B2F B3U B3F B4U B4F B5U B5F BEP BFP BLP BMP BPP A2P A6U A6F A7U A7F BAU BAF BBH A5H BCV BDP BGP BHP BJP BKP BNP BQP BRP A3P A4S A4D A4Y BSU BSF 7GG 7HG 7AG 7BG 7CG 7DG BTH BUH BVV BWV BZS BZD BZY C6P C2P C3P C4P C5P C7P C8P C9P CAS CAD CAY CBS CBP CBD CBY BYU BYF CCU CCF CDU CDF C4U C4F C9U C9F 7PG 7RG 7KG 7LG 7MG 7NG 8SH 8TH 7UG 8WC 71G 72G 73G 74G F4B F4H 86G 87G 88G 89G 8AG 8BG 8KG 8LG 8MG 8JG 8PG 8NG 8UG)	41A9726	2

The FRUs listed in the following tables are not illustrated.

9851 FRUs	FRU#	CRU Tier
Shield, 5.25 EMC (all models)	41N8080	2
Shield, diskette drive EMC (all models)	41N8078	2
Cable, Diskette drive (RoHs) (all models)	41A7182	2
Cover, left side (all models)	41N8050	2
Retainer, Card Reader (all models)	41R2913	2
Fan, front (all models)	41R4791	2
Optional HDD Bracket Asm, without 4Pin cable (all models)	41R6106	2
Intrusion Switch asm (all models)	41R6116	2
Cable, SATA 250mm (RoHS) (all models)	43N9012	2
Cable, SATA 457mm (RoHS) (all models)	43N9013	2
Hard disk drive tray (all models)	41R6291	2
Rear IO shield, ATX, (all models)	41R6383	N
Planer shield, Atx 946, with usb number (all models)	41R6378	N
Temperature Sense cable (460 mm) (all models)	41R2509	2

9851 FRUs	FRU#	CRU Tier
Temp Sense cable for Armstrong (460 mm) (TOWER) (all models)	41R2509	2
FRU - Blank 5.25" Bezel (all models)	41N8077	2
FRU, Cable Clip, FW-6D (all models)	43N9462	2
Assembly Chassis Without IBM Mark Atlantic (all models)	41R6408	N
ODD/FDD/Card reader (all models)	43N9351	2
Fru,Tamdhu chassis primary HDD cage (all models)	45K6272	1
Fru,Tamdhu ruber foot(For acoustic improvement) (all models)	45K6278	2
Battery 3V- Lithium (models AAB AAH ABB ABH ACB ACH APV AQV ARA ART ASA AST AKM AKA AKT ALM ALA ALT ALK AMK ATP AUP AEA AET AHM AHA AHT AHJ ANC AVS AVY AWS AWY B1U B1F B2U B2F B3U B3F B4U B4F B5U B5F BEP BFP BLP BMP BPP A2P A6U A6F A7U A7F BAU BAF BBH A5H BCV BDP BGP BHP BJP BKP BNP BQP BRP A3P A4S A4D A4Y BSU BSF 7GG 7HG 7AG 7BG 7CG 7DG BTH BUH BVV BWV BZS BZD BZY C6P C2P C3P C4P C5P C7P C8P C9P CAS CAD CAY CBS CBP CBD CBY BYU BYF CCU CCF CDU CDF C4U C4F C9U C9F 7PG 7RG 7KG 7LG 7MG 7NG 8SH 8TH 7UG 8WC 71G 72G 73G 74G F4B F4H 86G 87G 88G 89G 8AG 8BG 8KG 8LG 8MG 8JG 8PG 8NG 8UG)	45C1566	1

9851 Keyboard (Lenovo USB Preferred -- without hub)	FRU#	CRU Tier
US English (models AAH ABH ACH)	41A5039	1
Arabic (models)	41A5040	1
Arabic/French (models)	41A5041	1
Belgian/French (models)	41A5042	1
Belgian/English (models)	41A5043	1
Brazilian Portuguese (models)	41A5044	1
Bulgarian (models)	41A5045	1
Chinese/US (models AAB ABB ACB)	41A5046	1
Czech (models)	41A5047	1
Danish (models)	41A5048	1
Dutch (models)	41A5049	1
French (models)	41A5050	1
French Canadian (models)	41A5051	1
French Canadian (models)	41A5052	1
German (models)	41A5053	1
Greek (models)	41A5054	1
Greek/US (models)	41A5080	1
Hebrew (models)	41A5055	1
Hungarian (models)	41A5056	1
Iceland (models)	41A5057	1
Italian (models)	41A5058	1
Japanese (models)	41A5059	1
Korean (models)	41A5060	1

9851 Keyboard (Lenovo USB Preferred -- without hub)	FRU#	CRU Tier
LA Spanish (models)	41A5061	1
Norwegian (models)	41A5062	1
Polish (models)	41A5063	1
Portuguese (models)	41A5064	1
Romanian (models)	41A5065	1
Russian/Cyrillic (models)	41A5066	1
Serbian/Cyrillic (models)	41A5067	1
Slovak (models)	41A5068	1
Spanish (models)	41A5069	1
Swedish/Finnish (models)	41A5070	1
Swiss (models)	41A5071	1
Thailand (models)	41A5072	1
Turkish (models)	41A5073	1
Turkish (models)	41A5074	1
UK English (models)	41A5075	1
US Euro (models)	41A5076	1
Slovenian (models)	41A5077	1

9851 Keyboard (Lenovo USB Preferred -- without hub)	FRU#	CRU Tier
US English (models ARA AKM AKA ALM ALA AAH ABH ACH AEA AHM AHA B1U B2U B3U B4U B5U A6U A7U BAU BBH A5H BSU 7GG 7HG 7AG 7BG 7CG 7DG BTH BUH BYU CCU CDU C4U C9U 7PG 7RG 7KG 7LG 7MG 7NG 8SH 8TH 7UG 71G 72G 73G 74G F4H 86G 87G 88G 89G 8AG 8BG 8KG 8LG 8MG 8JG 8PG 8NG 8UG)	41A5289	1
Arabic (models 7GG 7HG 7AG 7BG 7CG 7DG 7CG 7PG 7RG 7KG 7LG 7MG 7NG 7UG 71G 72G 73G 74G 86G 87G 88G 89G 8AG 8BG 8KG 8LG 8MG 8JG 8PG 8UG)	41A5290	1
Arabic/French (models)	41A5291	1
Belgian/French (models 7GG 7HG 7AG 7BG 7CG 7DG 7CG 7PG 7RG 7KG 7LG 7MG 7NG 7UG 71G 72G 73G 74G 86G 87G 88G 89G 8AG 8BG 8KG 8LG 8MG 8JG 8PG 8NG 8UG)	41A5292	1
Belgian/English (models 7GG 7HG 7AG 7BG 7CG 7DG 7CG 7PG 7RG 7KG 7LG 7MG 7NG 7UG 71G 72G 73G 74G 86G 87G 88G 89G 8AG 8BG 8KG 8LG 8MG 8JG 8PG 8NG 8UG)	41A5293	1
Brazilian Portuguese (models ATP AUP BEP BFP BLP BMP BPP A2P DP BGP BHP BJP BKP BNP BQP BRP A3P C6P C2P C3P C4P C5P C7P C8P C9P CBP C9P)	41A5294	1
Bulgarian (models 7GG 7HG 7AG 7BG 7CG 7DG 7CG 7PG 7RG 7KG 7LG 7MG 7NG 7UG 71G 72G 73G 74G 86G 87G 88G 89G 8AG 8BG 8KG 8LG 8MG 8JG 8PG 8NG 8UG)	41A5295	1
Chinese/US (models AAB ABB ACB APV AQV BVV BWV F4B)	41A5296	1
Czech (models 7GG 7HG 7AG 7BG 7CG 7DG 7CG 7PG 7RG 7KG 7LG 7MG 7NG 7UG 71G 72G 73G 74G 86G 87G 88G 89G 8AG 8BG 8KG 8LG 8MG 8JG 8PG 8NG 8UG)	41A5297	1
Danish (models 7GG 7HG 7AG 7BG 7CG 7DG 7CG 7PG 7RG 7KG 7LG 7MG 7NG 7UG 71G 72G 73G 74G 86G 87G 88G 89G 8AG 8BG 8KG 8LG 8MG 8JG 8PG 8NG 8UG)	41A5298	1
Dutch (models 7GG 7HG 7AG 7BG 7CG 7DG 7CG 7PG 7RG 7KG 7LG 7MG 7NG 7UG 71G 72G 73G 74G 86G 87G 88G 89G 8AG 8BG 8KG 8LG 8MG 8JG 8PG 8NG 8UG)	41A5299	1

9851 Keyboard (Lenovo USB Preferred -- without hub)	FRU#	CRU Tier
French (models 7GG 7HG 7AG 7BG 7CG 7DG 7CG 7PG 7RG 7KG 7LG 7MG 7NG 7UG 71G 72G 73G 74G 86G 87G 88G 89G 8AG 8BG 8KG 8LG 8MG 8JG 8PG 8NG 8UG)	41A5300	1
French Canadian (models B1F B2F B3F B4F B5F A6F A7F BAF BSF BYF CCF CDF)	41A5301	1
French Canadian (models B1F B2F B3F B4F B5F A6F A7F BAF BSF BYF CCF CDF)	41A5302	1
German (models 7GG 7HG 7AG 7BG 7CG 7DG 7CG 7PG 7RG 7KG 7LG 7MG 7NG 7UG 71G 72G 73G 74G 86G 87G 88G 89G 8AG 8BG 8KG 8LG 8MG 8JG 8PG 8NG 8UG)	41A5303	1
Greek (models 7GG 7HG 7AG 7BG 7CG 7DG 7CG 7PG 7RG 7KG 7LG 7MG 7NG 7UG 71G 72G 73G 74G 86G 87G 88G 89G 8AG 8BG 8KG 8LG 8MG 8JG 8PG 8NG 8UG)	41A5304	1
Greek/US (models 7GG 7HG 7AG 7BG 7CG 7DG 7CG 7PG 7RG 7KG 7LG 7MG 7NG 7UG 71G 72G 73G 74G 86G 87G 88G 89G 8AG 8BG 8KG 8LG 8MG 8JG 8PG 8NG 8UG)	41A5305	1
Hebrew (models 7GG 7HG 7AG 7BG 7CG 7DG 7CG 7PG 7RG 7KG 7LG 7MG 7NG 7UG 71G 72G 73G 74G 86G 87G 88G 89G 8AG 8BG 8KG 8LG 8MG 8JG 8PG 8NG 8UG)	41A5306	1
Hungarian (models 7GG 7HG 7AG 7BG 7CG 7DG 7CG 7PG 7RG 7KG 7LG 7MG 7NG 7UG 71G 72G 73G 74G 86G 87G 88G 89G 8AG 8BG 8KG 8LG 8MG 8JG 8PG 8NG 8UG)	41A5307	1
Iceland (models 7GG 7HG 7AG 7BG 7CG 7DG 7CG 7PG 7RG 7KG 7LG 7MG 7NG 7UG 71G 72G 73G 74G 86G 87G 88G 89G 8AG 8BG 8KG 8LG 8MG 8JG 8PG 8NG 8UG)	41A5308	1
Italy (models 7GG 7HG 7AG 7BG 7CG 7DG 7CG 7PG 7RG 7KG 7LG 7MG 7NG 7UG 71G 72G 73G 74G 86G 87G 88G 89G 8AG 8BG 8KG 8LG 8MG 8JG 8PG 8NG 8UG)	41A5309	1
Japanese (models AHJ)	41A5310	1
Korean (models ALK AMK)	41A5311	1
LA Spanish (models AVS AVY AWS AWY A4S A4D A4Y BZS BZD BZY CAS CAD CAY CBS CBD CBY)	41A5312	1
Norwegian (models 7GG 7HG 7AG 7BG 7CG 7DG 7CG 7PG 7RG 7KG 7LG 7MG 7NG 7UG 71G 72G 73G 74G 86G 87G 88G 89G 8AG 8BG 8KG 8LG 8MG 8JG 8PG 8NG 8UG)	41A5313	1
Polish (models 7GG 7HG 7AG 7BG 7CG 7DG 7CG 7PG 7RG 7KG 7LG 7MG 7NG 7UG 71G 72G 73G 74G 86G 87G 88G 89G 8AG 8BG 8KG 8LG 8MG 8JG 8PG 8NG 8UG)	41A5314	1
Portuguese (models 7GG 7HG 7AG 7BG 7CG 7DG 7CG 7PG 7RG 7KG 7LG 7MG 7NG 7UG 71G 72G 73G 74G 86G 87G 88G 89G 8AG 8BG 8KG 8LG 8MG 8JG 8PG 8NG 8UG)	41A5315	1
Romanian (models 7GG 7HG 7AG 7BG 7CG 7DG 7CG 7PG 7RG 7KG 7LG 7MG 7NG 7UG 71G 72G 73G 74G 86G 87G 88G 89G 8AG 8BG 8KG 8LG 8MG 8JG 8PG 8NG 8UG)	41A5317	1
Russian/Cyrillic (models 7GG 7HG 7AG 7BG 7CG 7DG 7CG 7PG 7RG 7KG 7LG 7MG 7NG 7UG 71G 72G 73G 74G 86G 87G 88G 89G 8AG 8BG 8KG 8LG 8MG 8JG 8PG 8NG 8UG)	41A5318	1
Serbian/Cyrillic (models 7GG 7HG 7AG 7BG 7CG 7DG 7CG 7PG 7RG 7KG 7LG 7MG 7NG 7UG 71G 72G 73G 74G 86G 87G 88G 89G 8AG 8BG 8KG 8LG 8MG 8JG 8PG 8NG 8UG)	41A5319	1
Slovak (models 7GG 7HG 7AG 7BG 7CG 7DG 7CG 7PG 7RG 7KG 7LG 7MG 7NG 7UG 71G 72G 73G 74G 86G 87G 88G 89G 8AG 8BG 8KG 8LG 8MG 8JG 8PG 8NG 8UG)	41A5320	1
Spanish (models 7GG 7HG 7AG 7BG 7CG 7DG 7CG 7PG 7RG 7KG 7LG 7MG 7NG 7UG 71G 72G 73G 74G 86G 87G 88G 89G 8AG 8BG 8KG 8LG 8MG 8JG 8PG 8NG 8UG)	41A5321	1
Swedish/Finnish (models 7GG 7HG 7AG 7BG 7CG 7DG 7CG 7PG 7RG 7KG 7LG 7MG 7NG 7UG 71G 72G 73G 74G 86G 87G 88G 89G 8AG 8BG 8KG 8LG 8MG 8JG 8PG 8NG 8UG)	41A5322	1
Swiss French/German (models 7GG 7HG 7AG 7BG 7CG 7DG 7CG 7PG 7RG 7KG 7LG 7MG 7NG 7UG 71G 72G 73G 74G 86G 87G 88G 89G 8AG 8BG 8KG 8LG 8MG 8JG 8PG 8NG 8UG)	41A5323	1
Thailand (models)	41A5324	1
Turkish (models 7GG 7HG 7AG 7BG 7CG 7DG 7CG 7PG 7RG 7KG 7LG 7MG 7NG 7UG 71G 72G 73G 74G 86G 87G 88G 89G 8AG 8BG 8KG 8LG 8MG 8JG 8PG 8NG 8UG)	41A5325	1

9851 Keyboard (Lenovo USB Preferred -- without hub)	FRU#	CRU Tier
Turkish (models 7GG 7HG 7AG 7BG 7CG 7DG 7CG 7PG 7RG 7KG 7LG 7MG 7NG 7UG 71G 72G 73G 74G 86G 87G 88G 89G 8AG 8BG 8KG 8LG 8MG 8JG 8PG 8NG 8UG)	41A5326	1
UK English (models 7GG 7HG 7AG 7BG 7CG 7DG 7CG 7PG 7RG 7KG 7LG 7MG 7NG 7UG 71G 72G 73G 74G 86G 87G 88G 89G 8AG 8BG 8KG 8LG 8MG 8JG 8PG 8NG 8UG)	41A5327	1
US Euro (models 7GG 7HG 7AG 7BG 7CG 7DG 7CG 7PG 7RG 7KG 7LG 7MG 7NG 7UG 71G 72G 73G 74G 86G 87G 88G 89G 8AG 8BG 8KG 8LG 8MG 8JG 8PG 8NG 8UG)	41A5328	1
Slovenian (models 7GG 7HG 7AG 7BG 7CG 7DG 7CG 7PG 7RG 7KG 7LG 7MG 7NG 7UG 71G 72G 73G 74G 86G 87G 88G 89G 8AG 8BG 8KG 8LG 8MG 8JG 8PG 8NG 8UG)	41A5329	1

9851 Keyboard (Lenovo Enhanced Perf, USB Preferred -- with hub)	FRU#	CRU Tier
US English (models)	41A4961	1
Arabic (models)	41A4962	1
Arabic/French (models)	41A4963	1
Belgian French (models)	41A4964	1
Belgium English (models)	41A4965	1
Brazilian Portuguese (models)	41A4966	1
Bulgarian (models)	41A4967	1
Chinese/US (models)	41A4968	1
Czech (ABB) (models)	41A4969	1
Danish (models)	41A4970	1
Dutch (models)	41A4971	1
French (models)	41A4972	1
French Canadian (models)	41A4973	1
French Canadian (models)	41A4974	1
German (models)	41A4975	1
Greek (models)	41A4976	1
Greek/US (models)	41A5078	1
Hebrew (models)	41A4977	1
Hungarian (models)	41A4978	1
Iceland (models)	41A4979	1
Italy (models)	41A4980	1
Japanese (models)	41A4981	1
Korean (models)	41A4982	1
LA Spanish (models)	41A4983	1
Norwegian (models)	41A4984	1
Polish (models)	41A4985	1
Portuguese (models)	41A4986	1
Romanian (models)	41A4987	1
Russian/Cyrilic (models)	41A4988	1

9851 Keyboard (Lenovo Enhanced Perf, USB Preferred -- with hub)	FRU#	CRU Tier
Serbian/Cyrilic (models)	41A4989	1
Slovak (models)	41A4990	1
Spanish (models)	41A4991	1
Swedish/Finnish (models)	41A4992	1
Swiss French/German (models)	41A4993	1
Thailand (models)	41A4994	1
Turkish (models)	41A4995	1
Turkish (models)	41A4996	1
UK English (models)	41A4997	1
US Euro (models)	41A4998	1
Slovenian (models)	41A4999	1

9851 Keyboard (Lenovo Fingerprint Reader USB)	FRU#	CRU Tier
US English (models)	41A5248	1
Arabic (models)	41A5249	1
Arabic/French (models)	41A5250	1
Belgian French (models)	41A5251	1
Belgium English (models)	41A5252	1
Brazilian Portuguese (models)	41A5253	1
Bulgarian (models)	41A5254	1
Chinese/US (models)	41A5255	1
Czech (ABB) (models)	41A5256	1
Danish (models)	41A5257	1
Dutch (models)	41A5258	1
French (models)	41A5259	1
French Canadian (models)	41A5260	1
French Canadian (models)	41A5261	1
German (models)	41A5262	1
Greek (models)	41A5263	1
Greek/US (models)	41A5264	1
Hebrew (models)	41A5265	1
Hungarian (models)	41A5266	1
Iceland (models)	41A5267	1
Italy (models)	41A5268	1
Japanese (models)	41A5269	1
Korean (models)	41A5270	1
LA Spanish (models)	41A5271	1
Norwegian (models)	41A5272	1

9851 Keyboard (Lenovo Fingerprint Reader USB)	FRU#	CRU Tier
Polish (models)	41A5273	1
Portuguese (models)	41A5274	1
Romanian (models)	41A5276	1
Russian/Cyrilic (models)	41A5277	1
Serbian/Cyrilic (models)	41A5278	1
Slovak (models)	41A5279	1
Spanish (models)	41A5280	1
Swedish/Finnish (models)	41A5281	1
Swiss French/German (models)	41A5282	1
Thailand (models)	41A5283	1
Turkish (models)	41A5284	1
Turkish (models)	41A5285	1
UK English (models)	41A5286	1
US Euro (models)	41A5287	1
Slovenian (models)	41A5288	1

9851 mice	FRU#	CRU Tier
Optical Wheel Mouse (400DPI, USB) (all models)	41U3013	1
Optical Wheel Mouse (400DPI, USB) (all models)	41U3030	1
PS/2 Three Button ball mouse (41R0017) (models)	41R0018	1

9851 Adapters and miscellaneous FRUs	FRU#	CRU
Internal USB Memory Card Reader floppy bay (models AQV)	41R3378	2
Soft Modem V.90/V.44 ATX (models CTO)	46R4220	2
ATI HD 2600XT 512MB 128BIT ATX (models)	43C0261	2
IEEE 1394 Firewire Adapter SFF (models)	41D2781	2
Internal USB Memory Card Reader Slim (models)	43C9207	1
USB Memory Key - 1G RoW (models)	41U4978	1
ADD2 DVI Adapter,FH (HDCP) (models)	43C0258	2
ATI HD 2400PRO 128MB 64BIT DMS59 ATX (models)	43C0259	2
ATI HD 2400XT 256MB 64BIT DMS59 ATX (models)	43C0260	2
DVI-I connection Adapter Full Height (models 7CG 7DG 7PG 7KG 7LG 71G 73G 74G 86G 87G 88G 89G)	39J9334	2
DVI-I connection Adapter Low Profile (models)	39J9334	2
Speaker Power brick - US, Canada, LA low voltage, ASEAN (models AVS AWS B1U B2U B3U B4U B5U A6U A7U BAU A4S BSU BZS CAS CBS BYU CCU CDU)	89P8571	1
Speaker Power brick - LA high voltage (non-APU) (models A4D BZD CAD CBD)	89P8575	1
Speaker Power brick - China, Thailand (models ANC ART AST AKT ALT AET AHT 8WC)	89P8581	1
Speaker Power brick - Japan (models AHJ)	89P8577	1

9851 Adapters and miscellaneous FRUs	FRU#	CRU
Speaker Power brick - Brazil (models BEP BFP BLP BMP BPP A2P BDP BGP BHP BJP BKP BNP BQP BRP A3P C6P C2P C3P C4P C5P C7P C8P C9P CBP)	89P8583	1
Speaker Power brick - Argentina (models)	41A4901	1
Speaker Power brick - ANZ (modes)	89P8579	1
Speaker Brick - Korea (models)	41A4903	1
Speaker Brick - Hong Kong, EMEA (models AAB AAH ABB ABH ACB ACH BBH A5H BTH BUH 7PG 7RG 7KG 7LG 7MG 7NG 8SH 8TH 7UG 71G 72G 73G 74G F4H F4B 86G 87G 88G 89G 8AG 8BG 8KG 8LG 8MG 8JG 8PG 8NG 8UG)	89P8573	1
Speaker Brick - Taiwan (models APV AQV BCV BVV BWV)	41A4905	1
Speaker Power brick - India, South Africa (models)	89P8585	1
Dongle DMS Dule DMS-59 to dual VGA Cable (models)	42Y8181	2
Dongle DMS Dule DMS-59 to dual DVI Cable (models)	41X6398	2

9851 Power Cords	FRU#	CRU
Line cord - US (models AEA AET ARA ASA AKA ALA AEA AHA AVS AWS B1U B1F B2U B2F B3U B3F B4U B4F B5U B5F A6U A6F A7U A7F BAU BAF A4S A4D BSU BSF BZS BZD CAS CAD CBS CBD BYU BYF CCU CCF CDU CDF)	41R3184	1
Line cord - US (models AEA AET ARA ASA AKA ALA AEA AHA AVS AWS B1U B1F B2U B2F B3U B3F B4U B4F B5U B5F A6U A6F A7U A7F BAU BAF A4S A4D BSU BSF BZS BZD CAS CAD CBS CBD BYU BYF CCU CCF CDU CDF)	41R3185	1
Line cord - China (models ANC 8WC)	41R3256	1
Line cord - China (models ANC 8WC)	41R3257	1
Line cord - Brazil (models ATP AUP BEP BFP BLP BMP BPP A2P BDP BGP BHP BJP BKP BNP BQP BRP A3P C6P C2P C3P C4P C5P C7P C8P C9P CBP)	41R3270	1
Line cord - Brazil (models ATP AUP BEP BFP BLP BMP BPP A2P BDP BGP BHP BJP BKP BNP BQP BRP A3P C6P C2P C3P C4P C5P C7P C8P C9P CBP)	41R3271	1
Line cord - LA High Volt APU (models AVY AWY A4Y CAY CBY)	41R3176	1
Line Cord - LA High Volt APU (models AVY AWY A4Y CAY CBY)	41R3177	1
Line Cord - Korea (models ALK AMK)	41R3260	1
Line Cord - Korea (models ALK AMK)	41R3261	1
Line Cord - UK, Ireland, Singapore, Malaysia, Brunei (models ARA ASA AKA ALA AEA AHA 7GG 7HG 7AG 7BG 7CG 7DG 7PG 7RG 7KG 7LG 7MG 7NG 7UG 71G 72G 73G 74G 86G 87G 88G 89G 8AG 8BG 8KG 8LG 8MG 8JG 8PG 8NG 8UG)	41R3224	1
Line Cord - UK, Ireland, Singapore, Malaysia, Brunei (models ARA ASA AKA ALA AEA AHA 7GG 7HG 7AG 7BG 7CG 7DG 7PG 7RG 7KG 7LG 7MG 7NG 7UG 71G 72G 73G 74G 86G 87G 88G 89G 8AG 8BG 8KG 8LG 8MG 8JG 8PG 8NG 8UG)	41R3225	1
Line Cord - Taiwan (models APV AQV BCV)	41R3278	1
Line Cord - Taiwan (models APV AQV BCV)	41R3279	1
Line Cord - Italy (models AWS A4S A4Y 7GG 7HG 7AG 7BG 7CG 7DG BZS BZY CAS CBS 7PG 7RG 7KG 7LG 7MG 7NG 7UG 71G 72G 73G 74G 86G 87G 88G 89G 8AG 8BG 8KG 8LG 8MG 8JG 8PG 8NG 8UG)	41R3232	1
Line Cord - Italy (models AWS A4S A4Y 7GG 7HG 7AG 7BG 7CG 7DG BZS BZY CAS CBS 7PG 7RG 7KG 7LG 7MG 7NG 7UG 71G 72G 73G 74G 86G 87G 88G 89G 8AG 8BG 8KG 8LG 8MG 8JG 8PG 8NG 8UG)	41R3233	1
Line Cord - Indonesia, Laos, Cambodia, and Vietnam (models ARA ASA AKA ALA AEA AHA)	41R3208	1

9851 Power Cords	FRU#	CRU
Line Cord - Indonesia, Laos, Cambodia, and Vietnam (models ARA ASA AKA ALA AEA AHA)	41R3209	1
Line Cord - Denmark (models 7GG 7HG 7AG 7BG 7CG 7DG 7PG 7RG 7KG 7LG 7MG 7NG 7UG 71G 72G 73G 74G 86G 87G 88G 89G 8AG 8BG 8KG 8LG 8MG 8JG 8PG 8NG 8UG)	41R3212	1
Line Cord - Denmark (models 7GG 7HG 7AG 7BG 7CG 7DG 7PG 7RG 7KG 7LG 7MG 7NG 7UG 71G 72G 73G 74G 86G 87G 88G 89G 8AG 8BG 8KG 8LG 8MG 8JG 8PG 8NG 8UG)	41R3213	1
Line Cord - Switzerland (models 7GG 7HG 7AG 7BG 7CG 7DG 7PG 7RG 7KG 7LG 7MG 7NG 7UG 71G 72G 73G 74G 86G 87G 88G 89G 8AG 8BG 8KG 8LG 8MG 8JG 8PG 8NG 8UG)	41R3228	1
Line Cord - Switzerland (models 7GG 7HG 7AG 7BG 7CG 7DG 7PG 7RG 7KG 7LG 7MG 7NG 7UG 71G 72G 73G 74G 86G 87G 88G 89G 8AG 8BG 8KG 8LG 8MG 8JG 8PG 8NG 8UG)	41R3229	1
Line Cord - Israel (models 7GG 7HG 7AG 7BG 7CG 7DG 7PG 7RG 7KG 7LG 7MG 7NG 7UG 71G 72G 73G 74G 86G 87G 88G 89G 8AG 8BG 8KG 8LG 8MG 8JG 8PG 8NG 8UG)	41R3236	1
Line Cord - Israel (models 7GG 7HG 7AG 7BG 7CG 7DG 7PG 7RG 7KG 7LG 7MG 7NG 7UG 71G 72G 73G 74G 86G 87G 88G 89G 8AG 8BG 8KG 8LG 8MG 8JG 8PG 8NG 8UG)	41R3237	1
Line Cord - South Africa (models AKM AHM ALM ARA ASA AKA ALA AEA AHA 7GG 7HG 7AG 7BG 7CG 7DG 7PG 7RG 7KG 7LG 7MG 7NG 7UG 7UG 71G 72G 73G 74G 86G 87G 88G 89G 8AG 8BG 8KG 8LG 8MG 8JG 8PG 8NG 8UG)	41R3220	1
Line Cord - South Africa (models AKM AHM ALM ARA ASA AKA ALA AEA AHA 7GG 7HG 7AG 7BG 7CG 7DG 7PG 7RG 7KG 7LG 7MG 7NG 7UG 7UG 71G 72G 73G 74G 86G 87G 88G 89G 8AG 8BG 8KG 8LG 8MG 8JG 8PG 8NG 8UG)	41R3221	1
Line Cord - India (models)	41R3341	1
Line Cord - India (models)	41R3175	1
Line Cord - Japan (models)	41R3248	1
Line Cord - Japan (models)	41R3249	1
Line Cord - ANZ (models)	41R3196	1
Line Cord - ANZ (models)	41R3197	1
Line Cord - Hong Kong (models BBH A5H BTH BUH 8SH 8TH)	41R3224	1
Line Cord - Hong Kong (models BBH A5H BTH BUH 8SH 8TH)	41R3225	1

9851 Windows XP Home Recovery CDs	FRU#	CRU
US/UK/AP/TH (models)	TBD	1
FR/CF (models)	TBD	1
GR (models)	TBD	1
IT (models)	TBD	1
BR (models)	TBD	1
SP/LA (models)	TBD	1
DK (models)	TBD	1
NL (models)	TBD	1
AE (models)	TBD	1
SV (models)	TBD	1
HE (models)	TBD	1
FI (models)	TBD	1
NO (models)	TBD	1

9851 Windows XP Home Recovery CDs	FRU#	CRU
PL (models)	TBD	1
PO (models)	TBD	1
RU (models)	TBD	1
RE (models)	TBD	1
HU (models)	TBD	1
CZ (models)	TBD	1
TR (models)	TBD	1
GK (models)	TBD	1
Japanese (models)	TBD	1
Simplified Chinese (models)	TBD	1
Taiwan-TC (models)	TBD	1
Hong Kong-TC (models)	TBD	1
Korean (models)	TBD	1

9851 Windows XP Pro Recovery CDs	FRU#	CRU
US/UK/AP/TH (models B1U B2U B3U B4U B5U A6U A7U BAU BSU 7AG 7BG 7CG 7DG 71G 72G 73G 74G F4H 8UG 7PG 7RG 7KG 7LG 7UG 86G 87G 88G 89G B1U B2U B3U B4U B5U A6U A7U BSU 8AG 8BG 8JG 8PG 8NG)	45R0756	1
FR/CF (models B1F B2F B3F B4F B5F A6F A7F BAF BSF 7AG 7BG 7CG 7DG 71G 72G 73G 74G 8UG)	45R0759	1
GR (models 7AG 7BG 7CG 7DG 71G 72G 73G 74G 8UG)	45R0760	1
IT (models 7AG 7BG 7CG 7DG 71G 72G 73G 74G 8UG 7PG 7RG 7KG 7LG 7UG 86G 87G 88G 89G 8AG 8BG 8JG 8PG 8NG)	45R0762	1
BR (models BEP BFP BLP BMP BPP A2P C2P C3P C4P C7P C8P C9P CBP C9P)	45R0763	1
SP/LA (models 7AG 7BG 7CG 7DG 71G 72G 73G 74G 8UG CAS CAD CAY CBS CBD CBY AVS AVY AWS AWY)	45R0761	1
DK (models 7AG 7BG 7CG 7DG 71G 72G 73G 74G 8UG 7PG 7RG 7KG 7LG 7UG 86G 87G 88G 89G 8AG 8BG 8JG 8PG 8NG)	45R0764	1
NL (models 7AG 7BG 7CG 7DG 71G 72G 73G 74G 8UG 7PG 7RG 7KG 7LG 7UG 86G 87G 88G 89G 8AG 8BG 8JG 8PG 8NG)	45R0767	1
AE (models 7AG 7BG 7CG 7DG 71G 72G 73G 74G 8UG)	45R2342	1
SV (models 7AG 7BG 7CG 7DG 71G 72G 73G 74G 8UG 7PG 7RG 7KG 7LG 7UG 86G 87G 88G 89G 8AG 8BG 8JG 8PG 8NG)	45R0765	1
HE (models 7AG 7BG 7CG 7DG 71G 72G 73G 74G 8UG)	45R2334	1
FI (models 7AG 7BG 7CG 7DG 71G 72G 73G 74G 8UG)	45R0766	1
NO (models 7AG 7BG 7CG 7DG 71G 72G 73G 74G 8UG)	45R0770	1
PL (models 7AG 7BG 7CG 7DG 71G 72G 73G 74G 8UG)	45R0777	1
PO (models 7AG 7BG 7CG 7DG 71G 72G 73G 74G 8UG 7PG 7RG 7KG 7LG 7UG 86G 87G 88G 89G 8AG 8BG 8JG 8PG 8NG)	45R0774	1
RU (models 7AG 7BG 7CG 7DG 71G 72G 73G 74G 8UG 7PG 7RG 7KG 7LG 7UG 86G 87G 88G 89G 8AG 8BG 8JG 8PG 8NG)	45R0773	1
RE (models 7AG 7BG 7CG 7DG 71G 72G 73G 74G 8UG 7PG 7RG 7KG 7LG 7UG 86G 87G 88G 89G 8AG 8BG 8JG 8PG 8NG)	45R2318	1

9851 Windows XP Pro Recovery CDs	FRU#	CRU
HU (models 7AG 7BG 7CG 7DG 71G 72G 73G 74G 8UG 7PG 7RG 7KG 7LG 7UG 86G 87G 88G 89G 8AG 8BG 8JG 8PG 8NG)	45R0780	1
CZ (models 7AG 7BG 7CG 7DG 71G 72G 73G 74G 8UG 7PG 7RG 7KG 7LG 7UG 86G 87G 88G 89G 8AG 8BG 8JG 8PG 8NG)	45R0776	1
TR (models 7AG 7BG 7CG 7DG 71G 72G 73G 74G 8UG 7PG 7RG 7KG 7LG 7UG 86G 87G 88G 89G 8AG 8BG 8JG 8PG 8NG)	45R0775	1
GK (models 7AG 7BG 7CG 7DG 71G 72G 73G 74G 8UG 7PG 7RG 7KG 7LG 7UG 86G 87G 88G 89G 8AG 8BG 8JG 8PG 8NG)	45R0772	1
Slovakian (models 7AG 7BG 7CG 7DG 71G 72G 73G 74G 8UG 7PG 7RG 7KG 7LG 7UG 86G 87G 88G 89G 8AG 8BG 8JG 8PG 8NG)	45R2326	1
Japanese (models)	45R0757	1
Simplified Chinese (models)	45R0758	1
Taiwan-TC (models)	45R0768	1
Hong Kong-TC (models F4B)	45R0769	1
Korean (models)	45R0771	1
Multilingual 1 XP-Pro -- EN, NL, FR, GR, IT (models 7AG 7BG 7CG 7DG 71G 72G 73G 74G 8UG)	45R8246	1
Multilingual 2 XP-Pro -- EN, DK, FI, NO, SV (models 7AG 7BG 7CG 7DG 71G 72G 73G 74G 8UG)	45R8247	1

9851 Vista Home Basic 32 SP1 Recovery DVDs	FRU#	CRU
English (models)	46R7273	1
Japanese (models)	46R7274	1
Simplified Chinese (models)	46R7275	1
French (models)	46R7276	1
German (models)	46R7277	1
Spanish (models)	46R7278	1
Italian (models)	46R7279	1
Brazilian Portuguese (models)	46R7280	1
Danish (models)	46R7281	1
Swedish (models)	45R9758	1
Finland (models)	45R9759	1
Dutch (models)	45R9760	1
Traditional Chinese (models)	46R7282	1
Hong Kong (models)	46R7283	1
Norwegian (models)	46R7284	1
Korean (models)	45R9764	1
Slovenian (models)	45R9765	1
Greek (models)	45R9766	1
Russian (models)	46R7285	1
Portuguese (models)	45R9768	1

9851 Vista Home Basic 32 SP1 Recovery DVDs	FRU#	CRU
Turkish (models)	45R9769	1
Czech (models)	45R9770	1
Polish (models)	45R9771	1
Russian English (models)	46R7286	1
Arabic Localized (models)	45R9773	1
Hebrew (models)	45R9774	1
Hungarian (models)	45R9775	1
Slovakian (models)	45R9776	1

9851 Vista Business 32 SP1 Recovery DVDs	FRU#	CRU
English (models AAH ABH ACH ARA ASA AKA AKM ALM ALA AEA AHM AHA BTH BUH BYU CDU C4U C9U 7PG 7RG 7KG 7LG 8SH 8TH 7UG 86G 87G 88G 89G 8AG 8BG 8JG 8PG 8NG 8UG)	46R7287	1
Japanese (models AHJ)	46R7288	1
Simplified Chinese (models ANC)	46R7289	1
French (models BYF CDF C4F C9F)	46R7290	1
German (models 7PG 7RG 7KG 7LG 7UG 86G 87G 88G 89G 8AG 8BG 8JG 8PG 8NG 8UG)	46R7291	1
Spanish (models AVS AVY AWS AWY A4S A4D A4Y BZS BZD BZY CAS CAD CAY CBS CAS CAD CAY CBS CBD CBY)	46R7292	1
Italian (models 7PG 7RG 7KG 7LG 7UG 86G 87G 88G 89G 8AG 8BG 8JG 8PG 8NG 8UG)	46R7293	1
Brazilian Portuguese (models C6P C2P C3P C4P C5P C7P C8P C9P CBP C9P 8AG 8BG 8JG 8PG 8NG 8UG)	46R7294	1
Danish (models 7PG 7RG 7KG 7LG 7UG 86G 87G 88G 89G 8AG 8BG 8JG 8PG 8NG 8UG)	46R7295	1
Swedish (models 7PG 7RG 7KG 7LG 7UG 86G 87G 88G 89G 8AG 8BG 8JG 8PG 8NG 8UG)	45R9786	1
Finland (models 7PG 7RG 7KG 7LG 7UG 86G 87G 88G 89G 8AG 8BG 8JG 8PG 8NG 8UG)	45R9787	1
Dutch (models 7PG 7RG 7KG 7LG 7UG 86G 87G 88G 89G 8AG 8JG 8PG 8NG 8UG)	45R9788	1
Traditional Chinese (models AAB ABB ACB APV BVV BWV)	46R7296	1
Hong Kong (models AAB ABB ACB APV BVV BWV)	46R7297	1
Norwegian (models 7PG 7RG 7KG 7LG 7UG 86G 87G 88G 89G 8AG 8BG 8JG 8PG 8NG 8UG)	46R7298	1
Korean (models ALK)	45R9792	1
Slovenian (models 7PG 7RG 7KG 7LG 7UG 86G 87G 88G 89G 8AG 8BG 8JG 8PG 8NG 8UG)	45R9793	1
Greek (models 7PG 7RG 7KG 7LG 7UG 86G 87G 88G 89G 8AG 8BG 8JG 8PG 8NG 8UG)	45R9794	1
Russian (models 7PG 7RG 7KG 7LG 7UG 86G 87G 88G 89G 8AG 8BG 8JG 8PG 8NG 8UG)	46R7299	1
Portuguese (models 7PG 7RG 7KG 7LG 7UG 86G 87G 88G 89G 8AG 8BG 8JG 8PG 8NG 8UG)	45R9796	1
Turkish (models 7PG 7RG 7KG 7LG 7UG 86G 87G 88G 89G 8AG 8BG 8JG 8PG 8NG 8UG)	45R9797	1
Czech (models 7PG 7RG 7KG 7LG 7UG 86G 87G 88G 89G 8AG 8BG 8JG 8PG 8NG 8UG)	45R9798	1
Polish (models 7PG 7RG 7KG 7LG 7UG 86G 87G 88G 89G 8AG 8BG 8JG 8PG 8NG 8UG)	45R9799	1
Russian English (models 7PG 7RG 7KG 7LG 7UG 86G 87G 88G 89G 8AG 8BG 8JG 8PG 8NG 8UG)	46R7300	1
Arabic Localized (models)	45R9801	1
Hebrew (models 7PG 7RG 7KG 7LG 7UG 86G 87G 88G 89G 8AG 8BG 8JG 8PG 8NG 8UG)	45R9802	1

9851 Vista Business 32 SP1 Recovery DVDs	FRU#	CRU
Romanian (models 7PG 7RG 7KG 7LG 7UG 86G 87G 88G 89G 8AG 8BG 8JG 8PG 8NG 8UG)	45R9803	1
Hungarian (models 7PG 7RG 7KG 7LG 7UG 86G 87G 88G 89G 8AG 8BG 8JG 8PG 8NG 8UG)	45R9804	1
Slovakian (models 7PG 7RG 7KG 7LG 7UG 86G 87G 88G 89G 8AG 8BG 8JG 8PG 8NG 8UG)	45R9805	1
Serbian-Latin (models 7PG 7RG 7KG 7LG 7UG 86G 87G 88G 89G 8AG 8BG 8JG 8PG 8NG 8UG)	45R9806	1

9851 Vista VHP SP1 Recovery DVDs	FRU#	CRU
English (models)	46R7315	1
Japanese (models)	46R7316	1
Simplified Chinese (models)	46R7317	1
French (models)	46R7318	1
German (models)	46R7319	1
Spanish (models)	46R7320	1
Italian (models)	46R7321	1
Brazilian Portuguese (models)	46R7322	1
Danish (models)	46R7323	1
Swedish (models)	45R9844	1
Finland (models)	45R9845	1
Dutch (models)	45R9846	1
Traditional Chinese (models)	46R7324	1
Hong Kong (models)	46R7325	1
Norwegian (models)	46R7326	1
Korean (models)	45R9850	1
Slovenian (models)	45R9851	1
Greek (models)	45R9852	1
Russian (models)	46R7327	1
Portuguese (models)	45R9854	1
Turkish (models)	45R9855	1
Czech (models)	45R9856	1
Polish (models)	45R9857	1
Russian English (models)	46R7328	1
Arabic Localized (models)	45R9859	1
Hebrew (models)	45R9860	1
Romanian (models)	45R9861	1
Hungarian (models)	45R9862	1
Slovakian (models)	45R9863	1
Serbian-Latin (models)	45R9864	1

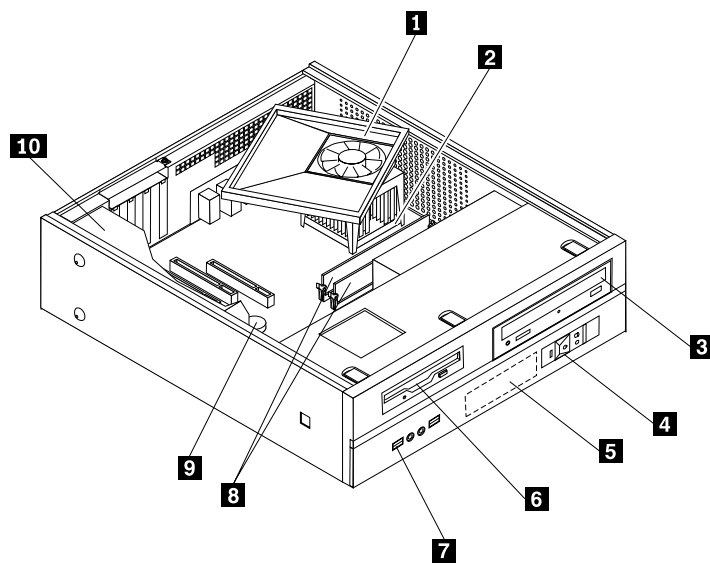
9851 Vista Business 64 SP1 Recovery DVDs	FRU#	CRU
English (models)	46R7301	1
Russian English (models)	46R7302	1
French (models)	46R7303	1
German (models)	46R7304	1
Spanish (models)	46R7305	1
Brazilian Portuguese (models)	46R7306	1
Italian (models)	46R7307	1
Japanese (models)	46R7308	1
Norwegian (models)	46R7309	1
Swedish (models)	45R9816	1
Danish (models)	45R9817	1
Dutch (models)	45R9818	1
Czech (models)	46R7310	1
Finnish (models)	46R7311	1
Polish (models)	46R7312	1
Russian (models)	45R9822	1
Turkish (models)	45R9823	1
Hungarian (models)	45R9824	1
Greek (models)	45R9825	1
Simplified Chinese (models)	46R7313	1
Taiwan (models)	45R9827	1
HongKong (models)	45R9828	1
Korea (models)	45R9829	1
Slovenian (models)	46R7314	1
Portuguese (models)	45R9831	1
Arabic Localized (models)	45R9832	1
Hebrew (models)	45R9833	1
Slovakian (models)	45R9834	1

9851 Vista Ultimate 32 SP1 Recovery DVDs	FRU#	CRU
English (models)	46R7329	1
Japanese (models)	46R7330	1
Simplified Chinese (models)	46R7331	1
French (models)	46R7332	1
German (models)	46R7333	1
Spanish (models)	46R7334	1
Italian (models)	46R7335	1
Brazilian Portuguese (models)	46R7336	1
Danish (models)	46R7337	1

9851 Vista Ultimate 32 SP1 Recovery DVDs	FRU#	CRU
Swedish (models)	45R9874	1
Finland (models)	45R9875	1
Dutch (models)	45R9876	1
Traditional Chinese (models)	46R7338	1
Hong Kong (models)	46R7339	1
Norwegian (models)	46R7340	1
Korean (models)	45R9880	1
Slovenian (models)	45R9881	1
Greek (models)	45R9882	1
Russian (models)	46R7341	1
Portuguese (models)	45R9884	1
Turkish (models)	45R9885	1
Czech (models)	45R9886	1
Polish (models)	45R9887	1
Russian English (models)	46R5089	1
Arabic Localized (models)	46R7342	1
Hebrew (models)	45R9890	1
Hungarian (models)	45R9891	1
Slovakian (models)	45R9892	1

9851 Vista Starter 32 Recovery DVDs	FRU#	CRU
English (models)	46R5059	1

Machine Type 9853



Item #	9853 FRUs	FRU#	CRU
1	Heatsink Intel 65W/95W (all models)	41R6429	2
1	Heatsink Intel 65W/95W (all models)	41R4803	2
2	Microprocessor, Celeron 420 CONROE-L 800/1600MHZ-512K,LGA,EM64T (models)	43C3835	N
2	Microprocessor, Celeron 430 CONROE-L 800/1800MHZ-512K,LGA,EM64T (models AAJ)	43C1964	N
2	Microprocessor, Celeron 440 CONROE-L 800/2000MHZ-512K,LGA,EM64T (models)	43C1965	N
2	Microprocessor, Pentium Dual-core E2140 CONROE-L 800/1600MHZ-1M, LGA, EM64T (models)	43C1967	N
2	Microprocessor, Pentium Dual-core E2160 CONROE-L 800/1800MHZ-1M, LGA, EM64T (models AFK ABA ABT ABJ)	43C1968	N
2	Microprocessor, Core 2 Duo E4400 L2 CONROE 800/2000MHZ-2M, LGA, EM64T (models)	43C2056	N
2	Microprocessor, Core 2 Duo E6400 B2 CONROE 1066/2130MHZ-2M, LGA, EM64T L2 Value (models)	41X2496	N
2	Microprocessor, Pentium Dual-core E2200 CONROE-L 800/2200MHZ-1M, LGA, EM64T - NPI (models CTO)	45C5349	N
2	Microprocessor, Pentium Dual-core E2180 CONROE-L 800/2000MHZ-1M, LGA, EM64T - NPI (models CTO)	45C1773	N
2	Microprocessor, Pentium Dual-core E2220 CONROE-L 800/2400MHZ-1M, LGA, EM64T - NPI (models CTO)	45C1774	N
2	Microprocessor, Core 2 Duo E4600 M0 CONROE 800/2400MHZ-2M, LGA, EM64T - NPI (models CTO)	45C5282	N
2	Microprocessor, Core 2 Duo E4500 M0 CONROE 800/2200MHZ-2M, LGA, EM64T (models CTO)	43C6305	N
2	Microprocessor, Core 2 Duo E6850 G0 CONROE 1333/3000MHZ-4M, LGA, EM64T (models CTO)	43C1694	N
2	Microprocessor, Core 2 Duo E6750 G0 CONROE 1333/2660MHZ-4M, LGA, EM64T (models CTO)	43C1693	N
2	Microprocessor, Core 2 Duo E6550 G0 CONROE 1333/2330MHZ-4M, LGA, EM64T (models CTO)	43C3833	N
2	Microprocessor, Core 2 Quad G-0 Q6700 KENTSFIELD 1066/2660MHZ-8M (models CTO)	43C6309	N
2	Microprocessor, Core 2 Quad G-0 Q6600 KENTSFIELD 1066/2400MHZ-8M (models CTO)	43C1695	N
2	Microprocessor, Core 2 Duo E8500 WOLFDALÉ 1333/3160MHZ-6M (models CTO)	45C7735	N
2	Microprocessor, Core 2 Duo E8400 WOLFDALÉ 1333/3000MHZ-6M (models CTO)	45C7736	N
2	Microprocessor, Core 2 Duo E8200 WOLFDALÉ 1333/2660MHZ-6M (models CTO)	45C7738	N
2	Microprocessor, Core 2 Duo E8190 WOLFDALÉ 1333/2660MHZ-6M - NON VT/Vpro (models CTO)	45R2568	N
2	Microprocessor, Core 2 Quad Q9550 C-1 YORKFIELD 2.83GHz 1333MHZ FSB 12M L2 (models CTO)	45C7739	N
2	Microprocessor, Core 2 Quad Q9450 C-1 YORKFIELD 2.66GHz 1333MHZ FSB 12M L2 (models CTO)	45C7740	N
2	Microprocessor, Core 2 Quad Q9300 M-1 YORKFIELD 2.5GHz 1333MHZ FSB 6M L2 (models CTO)	45C7741	N

Item #	9853 FRUs	FRU#	CRU
2	Microprocessor, Core 2 Duo E8300 C-0 WOLFDAL E 2.83GHz 1333MHZ FSB 6M L2 (models CTO)	45C7737	N
2	Microprocessor, Core 2 Duo E7300 M-0 2.66GHz 1066MHz FSB 3M L2 (models CTO)	46R1622	N
2	Microprocessor, Core 2 Duo E7200 M-0 2.53GHz 1066MHz FSB 3M L2 (models CTO)	45R8337	N
2	Microprocessor, Core 2 Duo E4700 G-0 2.6GHz 800MHz FSB 2M L2 (models CTO)	45R5786	N
2	Microprocessor, Celeron Dual Core E1400 M-0 2.0GHz 800MHz FSB 512K L2 (models CTO)	45R8339	N
2	Microprocessor, Celeron Dual Core E1200 M-0 1.6GHz 800MHz FSB 512K L2, LGA, EM64T - NPI (models CTO)	45R8341	N
2	Microprocessor, Core 2 Duo E8600 E-0 WOLFDAL E 3.33GHz 1333MHZ FSB 6M L2 (models CTO)	46R8640	N
3	DVD-ROM Drive - 16x/48x - SATA Vista & non-Vista (models AKS AHP AKY AEC ALH AMV ANH)	41N3325	2
3	DVD-ROM/CD-RW Combo Drive - 48x/32x/48x/16x - SATA Vista & non-Vista (models AFK AAJ ABA ABT ABJ ACA ACT ACJ AJS AJY)	42Y9353	2
3	DVD-RW/CD-RW Rambo 8 - SATA Vista & non-Vista (models AGK ADA ADT APS APD APY)	43C1042	2
4	Front Power/LED PC, bracket, and cable (all models)	41N8213	2
5	Hard disk drive, SATA 80GB 7200RPM/3Gb/8MB (models)	40Y9034	2
5	Hard disk drive, SATA 250GB 7200RPM/3Gb/8MB (models)	40Y9036	2
5	Hard disk drive, SATA 320GB 7200rpm SATA/8MB (models AGK ADA ADT)	87H4891	2
6	Diskette drive, 3,5", 1.44MB, 2-mode, (w/bezel) (models)	40Y9105	2
6	Diskette drive, 3,5", 1.44MB, 2-mode, (w/bezel) (models)	40Y9107	2
7	Front USB/Audio with bracket (all models)	41N8212	2
8	Memory module, 512 MB PC-5300 (667MHz) DDR2 SDRAM (models AAJ AEC ALH)	41X4255	2
8	Memory module, 1 GB PC-5300 (667MHz) DDR2 SDRAM (models AFK AGK ABA ABT ABJ ACA ACT ACJ ADA ADT AKS AHP AKY AJS AJY AMV ANH APS APD APY)	41X4256	2
8	Memory module, 2 GB PC-5300 (667MHz) DDR2 SDRAM (models)	41X4257	2
8	Memory module, 512 MB PC2-6400 (800MHz) DDR2 SDRAM (models)	41X1079	2
8	Memory module, 1GB PC-6400 (800MHz) DDR2 SDRAM (models)	41X1080	2
8	Memory module, 2GB PC-6400 (800MHz) DDR2 SDRAM (models)	41X1081	2
9	System board, Intel G31 mATX GA Level (models AFK AGK AAJ ABA ABT ABJ ACA ACT ACJ ADA ADT AKS AHP AKY AJS AJY AEC ALH AMV ANH APS APD APY)	53Y3282	N
10	Power supply, 220 Watt Power Supply - Japan; only for JP (models AAJ ACJ ABJ)	41A9697	N
10	Power supply, 220W 80% Power supply-for all countries (models AFK AGK AAJ ABA ABT ABJ ACA ACT ACJ ADA ADT AKS AHP AKY AJS AJY AEC ALH AMV)	41A9670	N
10	Power supply, 280W TFX 280W PS ,Active PFC, for RockyS-for all countries (models AFK AGK AAJ ABA ABT ABJ ACA ACT ACJ ADA ADT AKS AHP AKY AJS AJY AEC ALH AMV)	41A9705	N

The FRUs listed in the following tables are not illustrated.

9853 FRUs	FRU#	CRU
Planer shield, Atx 946,G31 with usb number (all models)	41R6384	N
Shield, EMC , Blank 5.25 (all models)	41N8271	2
Shield, EMC , Blank diskette drive (all models)	41N8273	2
Cover (all models)	41N8204	2
Mechanical shell kit (all models)	41R6387	N
Bezel kit, without IBM logo (all models)	41R6238	2
Miscellaneous hardware kit (all models)	41N8209	2
Hard disk drive bracket assembly (plastic and grommets) (all models)	41N8210	2
Hard disk drive fan and bracket asm (all models)	41R6325	2
Speaker cable assembly, 600 mm cable length (all models)	41N8217	2
Fan duct assembly (all models)	41R4808	2
Rear USB 2Ports II LP (R), low profile I/O, 200mm, Rohs (all models)	42Y8006	2
Retention module assembly, Intel (all models)	41A7139	N
Intrusion switch assembly (all models)	41R6208	2
Foot stand (all models)	41R4813	1
Cable, diskette drive (all models)	41A7147	2
Cable, serial ATA cable, 250 mm (all models)	43N9012	2
Rear Com2 cable II LP(R), low profile I/O, 250mm, Rohs (all models)	42Y8008	2
Rear USB 2Ports II LP(R), low profile I/O, 350mm, Rohs (all models)	43N9124	2
Fru,Tamdhu chassis primary HDD cage (all models)	45K6272	1
Fru,Tamdhu ruber foot(For acoustic improvement) (all models)	45K6278	2
Temp Sense Cable (165 mm) (all models)	43N9079	2

9853 Keyboard (Preferred Pro Fullsize PS/2)	FRU#	CRU Tier
US English (models)	41A5039	1
Arabic (models)	41A5040	1
Arabic/French (models)	41A5041	1
Belgian French (models)	41A5042	1
Belgium English (models)	41A5043	1
Brazilian Portuguese (models)	41A5044	1
Bulgarian (models)	41A5045	1
Chinese/US (models)	41A5046	1
Czech (ABB) (models)	41A5047	1
Danish (models)	41A5048	1
Dutch (models)	41A5049	1
French (models)	41A5050	1
French Canadian (models)	41A5051	1
French Canadian (models)	41A5052	1

9853 Keyboard (Preferred Pro Fullsize PS/2)	FRU#	CRU Tier
German (models)	41A5053	1
Greek (models)	41A5054	1
Greek/US (models)	41A5080	1
Hebrew (models)	41A5055	1
Hungarian (models)	41A5056	1
Iceland (models)	41A5057	1
Japanese (models)	41A5058	1
Korean (models)	41A5059	1
LA Spanish (models)	41A5060	1
Italian (models)	41A5061	1
Norwegian (models)	41A5062	1
Polish (models)	41A5063	1
Portuguese (models)	41A5064	1
Romanian (models)	41A5065	1
Russian/Cyrillic (models)	41A5066	1
Serbian/Cyrillic (models)	41A5067	1
Slovak (models)	41A5068	1
Spanish (models)	41A5069	1
Swedish/Finnish (models)	41A5070	1
Swiss French/German (models)	41A5071	1
Thailand (models)	41A5072	1
Turkish (models)	41A5073	1
Turkish (models)	41A5074	1
UK English (models)	41A5074	1
US Euro (models)	41A5075	1
Slovenian (models)	41A5077	1

9853 Keyboard (Lenovo USB Preferred -- without hub)	FRU#	CRU Tier
US English (models ABA ACA ADA ALH ANH)	41A5289	1
Arabic (models)	41A5290	1
Arabic/French (models)	41A5291	1
Belgian/French (models)	41A5292	1
Belgian/English (models)	41A5293	1
Brazilian Portuguese (models AHP)	41A5294	1
Bulgarian (models)	41A5295	1
Chinese/US (models AMV)	41A5296	1
Czech (ABB) (models)	41A5297	1
Danish (models)	41A5298	1

9853 Keyboard (Lenovo USB Preferred -- without hub)	FRU#	CRU Tier
Dutch (models)	41A5299	1
French (models)	41A5300	1
French Canadian (models)	41A5301	1
French Canadian (models)	41A5302	1
German (models)	41A5303	1
Greek (models)	41A5304	1
Greek/US (models)	41A5305	1
Hebrew (models)	41A5306	1
Hungarian (models)	41A5307	1
Iceland (models)	41A5308	1
Italian (models)	41A5309	1
Japanese (models AAJ ABJ ACJ)	41A5310	1
Korean (models AFK AGK)	41A5311	1
LA Spanish (models AKS AHP AKY AJS AJY APS APD APY)	41A5312	1
Norwegian (models)	41A5313	1
Polish (models)	41A5314	1
Portuguese (models)	41A5315	1
Romanian (models)	41A5317	1
Russian/Cyrillic (models)	41A5318	1
Serbian/Cyrillic (models)	41A5319	1
Slovak (models)	41A5320	1
Spanish (models)	41A5321	1
Swedish/Finnish (models)	41A5322	1
Swiss French/German (models)	41A5323	1
Thailand (models ACT ADT)	41A5324	1
Turkish (models)	41A5325	1
Turkish (models)	41A5326	1
UK English (models)	41A5327	1
US Euro (models)	41A5328	1
Slovenian (models)	41A5329	1

9853 Keyboard (Lenovo Enhanced Perf, USB Preferred -- with hub)	FRU#	CRU Tier
US English (models)	41A4961	1
Arabic (models)	41A4962	1
Arabic/French (models)	41A4963	1
Belgian/French (models)	41A4964	1
Belgian/UK (models)	41A4965	1
Brazilian Portuguese (models)	41A4966	1

9853 Keyboard (Lenovo Enhanced Perf, USB Preferred -- with hub)	FRU#	CRU Tier
Bulgarian (models)	41A4967	1
Chinese/US (models)	41A4968	1
Czech (ABB) (models)	41A4969	1
Danish (models)	41A4970	1
Dutch (models)	41A4971	1
French (models)	41A4972	1
French Canadian (models)	41A4973	1
French Canadian (models)	41A4974	1
German (models)	41A4975	1
Greek (models)	41A4976	1
Greek/US (models)	41A5078	1
Hebrew (models)	41A4977	1
Hungarian (models)	41A4978	1
Iceland (models)	41A4979	1
Italian (models)	41A4980	1
Japanese (models)	41A4981	1
Korean (models)	41A4982	1
LA Spanish (models)	41A4983	1
Norwegian (models)	41A4984	1
Polish (models)	41A4985	1
Portuguese (models)	41A4986	1
Romanian (models)	41A4987	1
Russian/Cyrillic (models)	41A4988	1
Serbian/Cyrillic (models)	41A4989	1
Slovak (models)	41A4990	1
Spanish (models)	41A4991	1
Swedish/Finnish (models)	41A4992	1
Swiss French/German (models)	41A4993	1
Thailand (models)	41A4994	1
Turkish (models)	41A4995	1
Turkish (models)	41A4996	1
UK English (models)	41A4997	1
US Euro (models)	41A4998	1
Slovenian (models)	41A4999	1

9853 Keyboard (Lenovo Fingerprint Reader USB)	FRU#	CRU Tier
US English (models)	41A5248	1
Arabic (models)	41A5249	1

9853 Keyboard (Lenovo Fingerprint Reader USB)	FRU#	CRU Tier
Arabic/French (models)	41A5250	1
Belgian/French (models)	41A5251	1
Belgian/English (models)	41A5252	1
Brazilian Portuguese (models)	41A5253	1
Bulgarian (models)	41A5254	1
Chinese/US (models)	41A5255	1
Czech (ABB) (models)	41A5256	1
Danish (models)	41A5257	1
Dutch (models)	41A5258	1
French (models)	41A5259	1
French Canadian (models)	41A5260	1
French Canadian (models)	41A5261	1
German (models)	41A5262	1
Greek (models)	41A5263	1
Greek/US (models)	41A5264	1
Hebrew (models)	41A5265	1
Hungarian (models)	41A5266	1
Iceland (models)	41A5267	1
Italian (models)	41A5268	1
Japanese (models)	41A5269	1
Korean (models)	41A5270	1
LA Spanish (models)	41A5271	1
Norwegian (models)	41A5272	1
Polish (models)	41A5273	1
Portuguese (models)	41A5274	1
Romanian (models)	41A5276	1
Russian/Cyrillic (models)	41A5277	1
Serbian/Cyrillic (models)	41A5278	1
Slovak (models)	41A5279	1
Spanish (models)	41A5280	1
Swedish/Finnish (models)	41A5281	1
Swiss French/German (models)	41A5282	1
Thailand (models)	41A5283	1
Turkish (models)	41A5284	1
Turkish (models)	41A5285	1
UK English (models)	41A5286	1
US Euro (models)	41A5287	1
Slovenian (models)	41A5288	1

9853 mice	FRU#	CRU
Optical Wheel Mouse (400DPI, USB) (all models)	41U3013	1
Optical Wheel Mouse (400DPI, USB) (all models)	41U3030	1
PS/2 2 Button Ball Mouse (models)	41R0018	1

9853 Adapters and miscellaneous FRUs	FRU#	CRU
Internal USB Memory Card Reader floppy bay (models)	41R3378	2
Internal USB 20 in 1 Memory CardReader floppy bay (models)	45R8139	2
USB Memory Key (models)	43R2296	2
IEEE 1394 Firewire Adapter SFF (models)	41D2781	2
Soft Modem V.90/V.44 SFF (models CTO)	46R4220	2
USB Memory Key - 1G RoW (models)	41U4978	1
ATI HD 2400PRO 128MB 64BIT DMS59 LP (models)	46R4159	2
ATI HD 2400XT 256MB 64BIT DMS59 LP (models)	46R4160	2
ADD2 DVI Adapter,LP (HDCP) (models)	43C0258	2
DVI-I connection Adapter Full Height (models)	39J9334	2
DVI-I connection Adapter Low Profile (models)	39J9334	2
Speaker Power brick - US, Canada, LA low voltage, ASEAN (models AKS AJS APS)	89P8571	1
Speaker Power brick - LA high voltage (non-APU) (models APY)	89P8575	1
Speaker Power brick - China, Thailand (models AEC)	89P8581	1
Speaker Power brick - Japan (models AAJ ABJ ACJ)	89P8577	1
Speaker Power brick - Brazil (models)	89P8583	1
Speaker Power brick - Argentina (models)	41A4901	1
Speaker Power brick - ANZ (models)	89P8579	1
Speaker Brick - Korea (models AFK AGK)	41A4903	1
Speaker Brick - Hong Kong, EMEA (models ALH ANH)	89P8573	1
Speaker Brick - Taiwan (models AMV)	41A4905	1
Speaker Power brick - India, South Africa (models)	89P8585	1
Dongle DMS Dule DMS-59 to dual VGA Cable (models)	42Y8181	2
Dongle DMS Dule DMS-59 to dual DVI Cable (models)	41X6398	2

9853 Line Cords	FRU#	CRU
Line cord - US (models AKS AJS ABA ACA ABT ACT ADT APS APD ANH)	41R3184	1
Line cord - US (models AKS AJS ABA ACA ABT ACT ADT APS APD ANH)	41R3185	1
Line cord - China (models AEC)	41R3256	1
Line cord - China (models AEC)	41R3257	1
Line cord - Brazil (models AHP)	41R3270	1
Line cord - Brazil (models AHP)	41R3271	1
Line cord - LA High Volt APU (models APY)	41R3176	1
Line Cord - LA High Volt APU (models APY)	41R3177	1

9853 Line Cords	FRU#	CRU
Line Cord - Korea (models AFK AGK)	41R3260	1
Line Cord - Korea (models AFK AGK)	41R3261	1
Line Cord - UK, Ireland, Singapore, Malaysia, Brunei (models ALH)	41R3224	1
Line Cord - UK, Ireland, Singapore, Malaysia, Brunei (models ALH)	41R3225	1
Line Cord - Taiwan (models AMV)	41R3278	1
Line Cord - Taiwan (models AMV)	41R3279	1
Line Cord - Italy (models)	41R3232	1
Line Cord - Italy (models)	41R3233	1
Line Cord - Indonesia, Laos, Cambodia, and Vietnam (models ABA ACA ADA)	41R3208	1
Line Cord - Indonesia, Laos, Cambodia, and Vietnam (models)	41R3209	1
Line Cord - Denmark (models)	41R3212	1
Line Cord - Denmark (models)	41R3213	1
Line Cord - Switzerland (models)	41R3228	1
Line Cord - Switzerland (models)	41R3229	1
Line Cord - Israel (models)	41R3236	1
Line Cord - Israel (models)	41R3237	1
Line Cord - South Africa (models ABA ACA ADA)	41R3220	1
Line Cord - South Africa (models ABA ACA ADA)	41R3221	1
Line Cord - India (models)	41R3341	1
Line Cord - India (models)	41R3175	1
Line Cord - Japan (models)	41R3248	1
Line Cord - ANZ (models)	41R3196	1
Line Cord - Japan (models)	41R3249	1
Line Cord - ANZ (models)	41R3197	1

9853 Windows XP Home Recovery CDs	FRU#	CRU
US/UK/AP/TH (models)	TBD	1
FR/CF (models)	TBD	1
GR (models)	TBD	1
IT (models)	TBD	1
BR (models)	TBD	1
SP/LA (models)	TBD	1
DK (models)	TBD	1
NL (models)	TBD	1
AE (models)	TBD	1
SV (models)	TBD	1
HE (models)	TBD	1
FI (models)	TBD	1
NO (models)	TBD	1

9853 Windows XP Home Recovery CDs	FRU#	CRU
PL (models)	TBD	1
PO (models)	TBD	1
RU (models)	TBD	1
RE (models)	TBD	1
HU (models)	TBD	1
CZ (models)	TBD	1
TR (models)	TBD	1
GK (models)	TBD	1
Japanese (models)	TBD	1
Simplified Chinese (models)	TBD	1
Taiwan-TC (models)	TBD	1
Hong Kong-TC (models)	TBD	1
Korean (models)	TBD	1

9853 Windows XP Pro Recovery CDs	FRU#	CRU
US/UK/AP/TH (models)	45R0756	1
FR/CF (models)	45R0759	1
GR (models)	45R0760	1
IT (models)	45R0762	1
BR (models)	45R0763	1
SP/LA (models ANS AND ANY AJS AKS)	45R0761	1
DK (models)	45R0764	1
NL (models)	45R0767	1
AE (models)	45R2342	1
SV (models)	45R0765	1
HE (models)	45R2334	1
FI (models)	45R0766	1
NO (models)	45R0770	1
PL (models)	45R0777	1
PO (models)	45R0774	1
RU (models)	45R0773	1
RE (models)	45R2318	1
HU (models)	45R0780	1
CZ (models)	45R0776	1
TR (models)	45R0775	1
GK (models)	45R0772	1
SL (models)	45R2326	1
Japanese (models)	45R0757	1
Simplified Chinese (models)	45R0758	1

9853 Windows XP Pro Recovery CDs	FRU#	CRU
Taiwan-TC (models)	45R0768	1
Hong Kong-TC (models)	45R0769	1
Korean (models)	45R0771	1
Multilingual 1 XP-Pro -- EN, NL, FR, GR, IT (models)	45R8246	1
Multilingual 2 XP-Pro -- EN, DK, FI, NO, SV (models)	45R8247	1

9853 Vista Home Basic 32 SP1 Recovery DVDs	FRU#	CRU
English (models)	46R5060	1
Japanese (models)	46R5061	1
Simplified Chinese (models)	45R9751	1
French (models)	46R5062	1
German (models)	46R5063	1
Spanish (models)	46R5064	1
Italian (models)	45R9755	1
Brazilian Portuguese (models)	45R9756	1
Danish (models)	45R9757	1
Swedish (models)	45R9758	1
Finland (models)	45R9759	1
Dutch (models)	45R9760	1
Traditional Chinese (models)	45R9761	1
Hong Kong (models)	45R9762	1
Norwegian (models)	45R9763	1
Korean (models AFK AGK)	45R9764	1
Slovenian (models)	45R9765	1
Greek (models)	45R9766	1
Russian (models)	45R9767	1
Portuguese (models)	45R9768	1
Turkish (models)	45R9769	1
Czech (models)	45R9770	1
Polish (models)	45R9771	1
Russian English (models)	46R5065	1
Arabic Localized (models)	45R9773	1
Hebrew (models)	45R9774	1
Hungarian (models)	45R9775	1
Slovakian (models)	45R9776	1

9853 Vista Business 32 SP1 Recovery DVDs	FRU#	CRU
English (models ABA ACA ADA ALH ANH)	46R7287	1
Japanese (models AAJ ABJ ACJ)	46R7288	1

9853 Vista Business 32 SP1 Recovery DVDs	FRU#	CRU
Simplified Chinese (models)	46R7289	1
French (models)	46R7290	1
German (models)	46R7291	1
Spanish (models APS APD APY)	46R7292	1
Italian (models)	46R7293	1
Brazilian Portuguese (models)	46R7294	1
Danish (models)	46R7295	1
Swedish (models)	45R9786	1
Finland (models)	45R9787	1
Dutch (models)	45R9788	1
Traditional Chinese (models AMV)	46R7296	1
Hong Kong (models)	46R7297	1
Norwegian (models)	46R7298	1
Korean (models)	45R9792	1
Slovenian (models)	45R9793	1
Greek (models)	45R9794	1
Russian (models)	46R7299	1
Portuguese (models)	45R9796	1
Turkish (models)	45R9797	1
Czech (models)	45R9798	1
Polish (models)	45R9799	1
Russian English (models)	46R7300	1
Arabic Localized (models)	45R9801	1
Hebrew (models)	45R9802	1
Romanian (models)	45R9803	1
Hungarian (models)	45R9804	1
Slovakian (models)	45R9805	1
Serbian-Latin (models)	45R9806	1

9853 Vista VHP SP1 Recovery DVDs	FRU#	CRU
English (models)	46R7315	1
Japanese (models)	46R7316	1
Simplified Chinese (models)	46R7317	1
French (models)	46R7318	1
German (models)	46R7319	1
Spanish (models)	46R7320	1
Italian (models)	46R7321	1
Brazilian Portuguese (models)	46R7322	1
Danish (models)	46R7323	1

9853 Vista VHP SP1 Recovery DVDs	FRU#	CRU
Swedish (models)	45R9844	1
Finland (models)	45R9845	1
Dutch (models)	45R9846	1
Traditional Chinese (models)	46R7324	1
Hong Kong (models)	46R7325	1
Norwegian (models)	46R7326	1
Korean (models)	45R9850	1
Slovenian (models)	45R9851	1
Greek (models)	45R9852	1
Russian (models)	46R7327	1
Portuguese (models)	45R9854	1
Turkish (models)	45R9855	1
Czech (models)	45R9856	1
Polish (models)	45R9857	1
Russian English (models)	46R7328	1
Arabic Localized (models)	45R9859	1
Hebrew (models)	45R9860	1
Romanian (models)	45R9861	1
Hungarian (models)	45R9862	1
Slovakian (models)	45R9863	1
Serbian-Latin (models)	45R9864	1

9853 Vista Business 64 SP1 Recovery DVDs	FRU#	CRU
English (models)	46R7301	1
Russian English (models)	46R7302	1
French (models)	46R7303	1
German (models)	46R7304	1
Spanish (models)	46R7305	1
Brazilian Portuguese (models)	46R7306	1
Italian (models)	46R7307	1
Japanese (models)	46R7308	1
Norwegian (models)	46R7309	1
Swedish (models)	45R9816	1
Danish (models)	45R9817	1
Dutch (models)	45R9818	1
Czech (models)	46R7310	1
Finnish (models)	46R7311	1
Polish (models)	46R7312	1
Russian (models)	45R9822	1

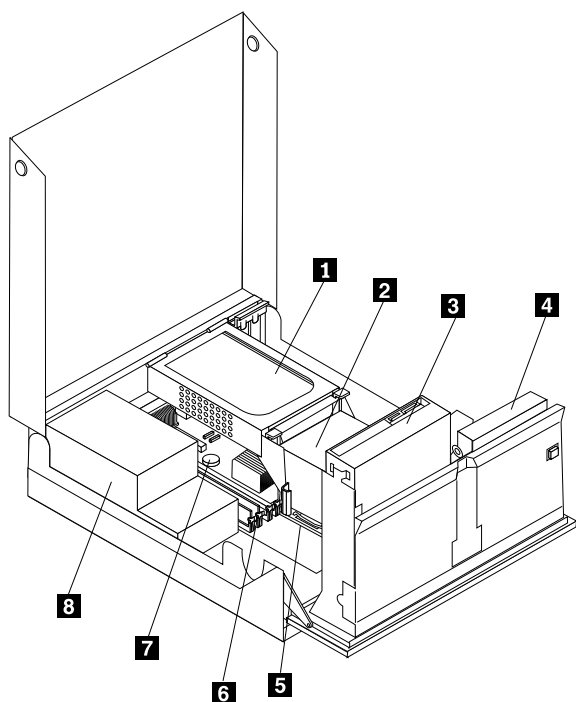
9853 Vista Business 64 SP1 Recovery DVDs	FRU#	CRU
Turkish (models)	45R9823	1
Hungarian (models)	45R9824	1
Greek (models)	45R9825	1
Simplified Chinese (models)	46R7313	1
Taiwan (models)	45R9827	1
HongKong (models)	45R9828	1
Korea (models)	45R9829	1
Slovenian (models)	46R7314	1
Portuguese (models)	45R9831	1
Arabic Localized (models)	45R9832	1
Hebrew (models)	45R9833	1
Slovakian (models)	45R9834	1

9853 Vista Ultimate 32 SP1 Recovery DVDs	FRU#	CRU
English (models)	46R7329	1
Japanese (models)	46R7330	1
Simplified Chinese (models)	46R7331	1
French (models)	46R7332	1
German (models)	46R7333	1
Spanish (models)	46R7334	1
Italian (models)	46R7335	1
Brazilian Portuguese (models)	46R7336	1
Danish (models)	46R7337	1
Swedish (models)	45R9874	1
Finland (models)	45R9875	1
Dutch (models)	45R9876	1
Traditional Chinese (models)	46R7338	1
Hong Kong (models)	46R7339	1
Norwegian (models)	46R7340	1
Korean (models)	45R9880	1
Slovenian (models)	45R9881	1
Greek (models)	45R9882	1
Russian (models)	46R7341	1
Portuguese (models)	45R9884	1
Turkish (models)	45R9885	1
Czech (models)	45R9886	1
Polish (models)	45R9887	1
Russian English (models)	46R5089	1
Arabic Localized (models)	46R7342	1

9853 Vista Ultimate 32 SP1 Recovery DVDs	FRU#	CRU
Hebrew (models)	45R9890	1
Hungarian (models)	45R9891	1
Slovakian (models)	45R9892	1

9853 Vista Starter 32 Recovery DVDs	FRU#	CRU
English (models)	46R5059	1

Machine Type 9859



Item #	9859 FRUs	FRU#	CRU
1	Hard disk drive,SATA 80GB 7200RPM/3Gb/8MB (models AAB AAH AHS AGP AHY)	40Y9034	2
1	Hard disk drive,SATA 160GB 7200RPM/3Gb/8MB (models ABB ABH ACJ AFC AJH AJV 7AG AKH 7GG 8LH 71G F5B F5H 82G)	40Y9035	2
1	Hard disk drive,SATA 320GB 7200rpm SATA/8MB (models ADJ AEJ 7HG 7JG 72G 73G 81G 83G)	87H4891	2
2	Thermal kit (all models)	41R6039	2
3	Optical drive,DVD-ROM Drive - 16x/48x - SATA Vista & non-Vista (models AAB AAH ABB ABH AJH AJV AKH 8LH F5B F5H)	41N3325	2
3	Optical drive,DVD-ROM/CD-RW Combo Drive - 48x/32x/48x/16x - SATA Vista & non-Vista (models ACJ ADJ AHS AGP AHY)	42Y9353	2
3	Optical drive,DVD-RW/CD-RW Rambo 8 - SATA Vista & non-Vista (models AEJ AFC 7CG 7BG 7AG AKH 7GG 7HG 7JG 71G 72G 73G 81G 82G 83G 8QG 8RG)	43C1042	2
5	Microprocessor, Celeron 420 CONROE-L 800/1600MHZ-512K,LGA,EM64T(models)	43C3835	N
5	Microprocessor, Celeron 430 CONROE-L 800/1800MHZ-512K,LGA,EM64T(models)	43C1964	N

Item #	9859 FRUs	FRU#	CRU
5	Microprocessor, Celeron 440 CONROE-L 800/2000MHZ-512K,LGA,EM64T(models)	43C1965	N
5	Microprocessor, Pentium Dual-core E2140 CONROE-L 800/1600MHZ-1M, LGA, EM64T (models)	43C1967	N
5	Microprocessor, Pentium Dual-core E2160 CONROE-L 800/1800MHZ-1M, LGA, EM64T (models AAB AAH ACJ AHS AGP AHY)	43C1968	N
5	Microprocessor, Core 2 Duo E4400 L2 CONROE 800/2000MHZ-2M, LGA, EM64T(models)	43C2056	N
5	Microprocessor, Core 2 Duo E6400 B2 CONROE 1066/2130MHZ-2M, LGA, EM64T L2 Value (models)	41X2496	N
5	Microprocessor, Pentium Dual-core E2200 CONROE-L 800/2200MHZ-1M, LGA, EM64T - NPI (models CTO)	45C5349	N
5	Microprocessor, Pentium Dual-core E2180 CONROE-L 800/2000MHZ-1M, LGA, EM64T - NPI (models CTO)	45C1773	N
5	Microprocessor, Pentium Dual-core E2220 CONROE-L 800/2400MHZ-1M, LGA, EM64T - NPI (models CTO)	45C1774	N
5	Microprocessor, Core 2 Duo E4600 M0 CONROE 800/2400MHZ-2M, LGA, EM64T - NPI (models CTO)	45C5282	N
5	Microprocessor, Core 2 Duo E4500 M0 CONROE 800/2200MHZ-2M, LGA, EM64T (models CTO)	43C6305	N
5	Microprocessor, Core 2 Duo E6850 G0 CONROE 1333/3000MHZ-4M, LGA, EM64T (models CTO)	43C1694	N
5	Microprocessor, Core 2 Duo E6750 G0 CONROE 1333/2660MHZ-4M, LGA, EM64T (models CTO)	43C1693	N
5	Microprocessor, Core 2 Duo E6550 G0 CONROE 1333/2330MHZ-4M, LGA, EM64T (models CTO)	43C3833	N
5	Microprocessor, Core 2 Quad G-0 Q6700 KENTSFIELD 1066/2660MHZ-8M (models CTO)	43C6309	N
5	Microprocessor, Core 2 Quad G-0 Q6600 KENTSFIELD 1066/2400MHZ-8M (models CTO)	43C1695	N
5	Microprocessor, Core 2 Duo E8500 WOLFDAL E 1333/3160MHZ-6M (models CTO)	45C7735	N
5	Microprocessor, Core 2 Duo E8400 WOLFDAL E 1333/3000MHZ-6M (models CTO)	45C7736	N
5	Microprocessor, Core 2 Duo E8200 WOLFDAL E 1333/2660MHZ-6M (models CTO)	45C7738	N
5	Microprocessor, Core 2 Duo E8190 WOLFDAL E 1333/2660MHZ-6M - NON VT/Vpro (models CTO)	45R2568	N
5	Microprocessor, Core 2 Quad Q9550 C-1 YORKFIELD 2.83GHz 1333MHZ FSB 12M L2 (models CTO)	45C7739	N
5	Microprocessor, Core 2 Quad Q9450 C-1 YORKFIELD 2.66GHz 1333MHZ FSB 12M L2 (models CTO)	45C7740	N
5	Microprocessor, Core 2 Quad Q9300 M-1 YORKFIELD 2.5GHz 1333MHZ FSB 6M L2 (models CTO)	45C7741	N
5	Microprocessor, Core 2 Duo E8300 C-0 WOLFDAL E 2.83GHz 1333MHZ FSB 6M L2 (models CTO)	45C7737	N
5	Microprocessor, Core 2 Duo E7300 M-0 2.66GHz 1066MHz FSB 3M L2 (models CTO)	46R1622	N
5	Microprocessor, Core 2 Duo E7200 M-0 2.53GHz 1066MHz FSB 3M L2 (models CTO)	45R8337	N
5	Microprocessor, Core 2 Duo E4700 G-0 2.6GHz 800MHz FSB 2M L2 (models CTO)	45R5786	N

Item #	9859 FRUs	FRU#	CRU
5	Microprocessor, Celeron Dual Core E1400 M-0 2.0GHz 800MHz FSB 512K L2 (models CTO)	45R8339	N
5	Microprocessor, Celeron Dual Core E1200 M-0 1.6GHz 800MHz FSB 512K L2, LGA, EM64T - NPI (models CTO)	45R8341	N
5	Microprocessor, Core 2 Duo E8600 E-0 WOLFDAL E 3.33GHz 1333MHZ FSB 6M L2 (models CTO)	46R8640	N
6	Memory module,512 MB PC-5300 (667MHz) DDR2 SDRAM (models AAB AAH ABB ABH)	41X4255	2
6	Memory module,1 GB PC-5300 (667MHz) DDR2 SDRAM (models ACJ ADJ AEJ AHS AGP AHY AFC AJH AJV 7CG 7BG 7AG AKH AKH 7GG 7HG 7JG 71G 72G 73G F5B F5H 82G)	41X4256	2
6	Memory module,2 GB PC-5300 (667MHz) DDR2 SDRAM (models 81G 83G 8QG 8RG 8QG 8RG)	41X4257	2
6	Memory module,512 MB PC2-6400 (800MHz) DDR2 SDRAM (models)	41X1079	2
6	Memory module,1GB PC-6400 (800MHz) DDR2 SDRAM (models 8LH)	41X1080	2
6	Memory module,2GB PC-6400 (800MHz) DDR2 SDRAM (models)	41X1081	2
7	System board,Intel G31 nano-BTX GA Level (models AAB AAH ABB ABH ACJ ADJ AEJ AHS AGP AHY AFC AJH AJV 7CG 7BG 7AG AKH 7GG 7HG 7JG 8LH 71G 72G 73G F5B F5H 81G 82G 83G 8QG 8RG)	53Y5125	N
8	Power supply, 280W Active PFC power supply for 10L---all countries (models AAB AAH ABB ABH ACJ ADJ AEJ AHS AGP AHY AFC AJH AJV 7CG 7BG 7AG AKH AKH 7GG 7HG 7JG 8LH 71G 72G 73G F5B F5H 81G 82G 83G 8QG 8RG)	41A9701	2
8	Power supply, 280W 80+ power supply for 10L---all countries (models AAB AAH ABB ABH ACJ ADJ AEJ AHS AGP AHY AFC AJH AJV 7CG 7BG 7AG AKH AKH 7GG 7HG 7JG 8LH 71G 72G 73G F5B F5H 81G 82G 83G 8QG 8RG)	41A9717	2
8	Power supply, 280W Active PFC power supply for 10L---all countries (LX-607) (models AAB AAH ABB ABH ACJ ADJ AEJ AHS AGP AHY AFC AJH AJV 7CG 7BG 7AG AKH AKH 7GG 7HG 7JG 8LH 71G 72G 73G F5B F5H 81G 82G 83G 8QG 8RG)	45J9418	2
8	Power supply, 280W 80+ power supply for 10L---all countries (LX-607) (models AAB AAH ABB ABH ACJ ADJ AEJ AHS AGP AHY AFC AJH AJV 7CG 7BG 7AG AKH AKH 7GG 7HG 7JG 8LH 71G 72G 73G F5B F5H 81G 82G 83G 8QG 8RG)	45J9427	2

The FRUs listed in the following tables are not illustrated.

9859 FRUs	FRU#	CRU
Power switch/LED cable assembly (all models)	41R3391	2
USB cable assembly (all models)	41R3392	2
C2 switch cable (all models)	39K5022	2
SATA cable,120mm (all models)	41R3328	2
SATA cable, 700mm (all models)	39K5026	2
Speaker/Cable assembly (all models)	39K5012	2
Temp Sense cable (all models)	41R2509	2
System Fan assembly (all models)	41R6249	2
Floor Stand and Vertical Deflector (LX-607) (all models)	41R6251	1
Cpu Support Module (all models)	41R6252	N

9859 FRUs	FRU#	CRU
HDD Tray Asm w/bumpper (all models)	41R6253	2
Internal Plastic (all models)	41R6254	2
Bezel, Plastic (all models)	41R6255	2
Front rotating cage asm (all models)	41R6256	N
Top cover Asm (all models)	41R6257	2
Fan for SFF (all models)	41R6042	2
Reel IO shield BTX atlantic (all models)	41R6381	N
Rear USB 2Ports II LP(R), low profile I/O, 200mm (all models)	42Y8006	2
Rear Com2 cable (all models)	41R6198	2
C2 Intrusion Switch (all models)	39K5022	2
Chassis atlantic (all models)	41R6275	N
10L FRONT I/O CABLE RoHS (all models)	41R6054	2
10L FRONT I/O CABLE RoHS (all models)	43N9015	2
Cabel-SATA 700mm (RoHS) (all models)	43N9011	2
Universal Adapter Bracket 5.25 to 3.5 (all models)	43N9361	2
ODD mounting kit, 607AT (all models)	43N9362	2
Cardreader Bezel Kit, 607AT (all models)	43N9363	2
Slim FDD (all models)	40Y9109	2
Battery 3V- Lithium (models AAB AAH ABB ABH ACJ ADJ AEJ AHS AGP AHY AFC AJH AJV 7CG 7BG 7AG AKH 7GG 7HG 7JG 8LH 71G 72G 73G F5B F5H 81G 82G 83G 8QG 8RG)	45C1566	1
FDD Retainer, 607AT, SFF (LX-607) (all models)	43N9681	2
Vertical Stand, Tampa/607CT (all models)	43N9644	N
HDD bracket ASM (all models)	43N9690	2
Fru,Tamdhu chassis primary HDD cage (all models)	45K6272	1
Fru,Tamdhu ruber foot(For acoustic improvement) (all models)	45K6278	2
HDD bracket with cover b, for Toyota, Flex (all models)	43N9691	2

9859 Keyboard (Lenovo USB Preferred -- without hub)	FRU#	CRU Tier
US English (models AAH ABH AJH 7CG 7BG 7AG AKH AKH 7GG 7HG 7JG 8LH 71G 72G 73G F5H 81G 82G 83G 8QG 8RG)	41A5289	1
Arabic (models)	41A5290	1
Arabic/French (models 7CG 7BG 7AG 7GG 7HG 7JG 71G 72G 73G 81G 82G 83G 8QG 8RG)	41A5291	1
Belgian French (models 7CG 7BG 7AG 7GG 7HG 7JG 71G 72G 73G 81G 82G 83G 8QG 8RG)	41A5292	1
Belgium English (models 7CG 7BG 7AG 7GG 7HG 7JG 71G 72G 73G 81G 82G 83G 8QG 8RG)	41A5293	1
Brazilian Portuguese (models)	41A5294	1
Bulgarian (models 7CG 7BG 7AG 7GG 7HG 7JG 71G 72G 73G 81G 82G 83G 8QG 8RG)	41A5295	1
Chinese/US (models AAB ABB AJV)	41A5296	1
Czech (ABB) (models 7CG 7BG 7AG 7GG 7HG 7JG 71G 72G 73G 81G 82G 83G 8QG 8RG)	41A5297	1
Danish (models 7CG 7BG 7AG 7GG 7HG 7JG 71G 72G 73G 81G 82G 83G 8QG 8RG)	41A5298	1

9859 Keyboard (Lenovo USB Preferred -- without hub)	FRU#	CRU Tier
Dutch (models 7CG 7BG 7AG 7GG 7HG 7JG 71G 72G 73G 81G 82G 83G 8QG 8RG)	41A5299	1
French (models 7CG 7BG 7AG 7GG 7HG 7JG 71G 72G 73G 81G 82G 83G 8QG 8RG)	41A5300	1
French Canadian (models)	41A5301	1
French Canadian (models)	41A5302	1
German (models 7CG 7BG 7AG 7GG 7HG 7JG 71G 72G 73G 81G 82G 83G 8QG 8RG)	41A5303	1
Greek (models 7CG 7BG 7AG 7GG 7HG 7JG 71G 72G 73G 81G 82G 83G 8QG 8RG)	41A5304	1
Greek/US (models 7CG 7BG 7AG 7GG 7HG 7JG 71G 72G 73G 81G 82G 83G 8QG 8RG)	41A5305	1
Hebrew (models 7CG 7BG 7AG 7GG 7HG 7JG 71G 72G 73G 81G 82G 83G 8QG 8RG)	41A5306	1
Hungarian (models 7CG 7BG 7AG 7GG 7HG 7JG 71G 72G 73G 81G 82G 83G 8QG 8RG)	41A5307	1
Iceland (models 7CG 7BG 7AG 7GG 7HG 7JG 71G 72G 73G 81G 82G 83G 8QG 8RG)	41A5308	1
Japanese (models ACJ ADJ AEJ)	41A5310	1
Korean (models)	41A5311	1
LA Spanish (models AHS AGP AHY)	41A5312	1
Italian (models 7CG 7BG 7AG 7GG 7HG 7JG 71G 72G 73G 81G 82G 83G 8QG 8RG)	41A5309	1
Norwegian (models 7CG 7BG 7AG 7GG 7HG 7JG 71G 72G 73G 81G 82G 83G 8QG 8RG)	41A5313	1
Polish (models 7CG 7BG 7AG 7GG 7HG 7JG 71G 72G 73G 81G 82G 83G 8QG 8RG)	41A5314	1
Portuguese (models 7CG 7BG 7AG 7GG 7HG 7JG 71G 72G 73G 81G 82G 83G 8QG 8RG)	41A5315	1
Romanian (models 7CG 7BG 7AG 7GG 7HG 7JG 71G 72G 73G 81G 82G 83G 8QG 8RG)	41A5317	1
Russian/Cyrillic (models 7CG 7BG 7AG 7GG 7HG 7JG 71G 72G 73G 81G 82G 83G 8QG 8RG)	41A5318	1
Serbian/Cyrillic (models 7CG 7BG 7AG 7GG 7HG 7JG 71G 72G 73G 81G 82G 83G 8QG 8RG)	41A5319	1
Slovak (models 7CG 7BG 7AG 7GG 7HG 7JG 71G 72G 73G 81G 82G 83G 8QG 8RG)	41A5320	1
Spanish (models 7CG 7BG 7AG 7GG 7HG 7JG 71G 72G 73G 81G 82G 83G 8QG 8RG)	41A5321	1
Swedish/Finnish (models 7CG 7BG 7AG 7GG 7HG 7JG 71G 72G 73G 81G 82G 83G 8QG 8RG)	41A5322	1
Swiss French/German (models 7CG 7BG 7AG 7GG 7HG 7JG 71G 72G 73G 81G 82G 83G 8QG 8RG)	41A5323	1
Thailand (models)	41A5324	1
Turkish (models 7CG 7BG 7AG 7GG 7HG 7JG 71G 72G 73G 81G 82G 83G 8QG 8RG)	41A5325	1
Turkish (models 7CG 7BG 7AG 7GG 7HG 7JG 71G 72G 73G 81G 82G 83G 8QG 8RG)	41A5326	1
UK English (models 7CG 7BG 7AG 7GG 7HG 7JG 71G 72G 73G 81G 82G 83G 8QG 8RG)	41A5327	1
US Euro (models 7CG 7BG 7AG 7GG 7HG 7JG 71G 72G 73G 81G 82G 83G 8QG 8RG)	41A5328	1
Slovenian (models 7CG 7BG 7AG 7GG 7HG 7JG 71G 72G 73G 81G 82G 83G 8QG 8RG)	41A5329	1

9859 Keyboard (Lenovo USB Preferred -- without hub)	FRU#	CRU Tier
US English (models)	41A5039	1
Arabic (models)	41A5040	1
Arabic/French (models)	41A5041	1
Belgian/French (models)	41A5042	1

9859 Keyboard (Lenovo USB Preferred -- without hub)	FRU#	CRU Tier
Belgian/English (models)	41A5043	1
Brazilian Portuguese (models)	41A5044	1
Bulgarian (models)	41A5045	1
Chinese/US (models)	41A5046	1
Czech (models)	41A5047	1
Danish (models)	41A5048	1
Dutch (models)	41A5049	1
French (models)	41A5050	1
French Canadian (models)	41A5051	1
French Canadian (models)	41A5052	1
German (models)	41A5053	1
Greek (models)	41A5054	1
Greek/US (models)	41A5080	1
Hebrew (models)	41A5055	1
Hungarian (models)	41A5056	1
Iceland (models)	41A5057	1
Italian (models)	41A5058	1
Japanese (models)	41A5059	1
Korean (models)	41A5060	1
LA Spanish (models)	41A5061	1
Norwegian (models)	41A5062	1
Polish (models)	41A5063	1
Portuguese (models)	41A5064	1
Romanian (models)	41A5065	1
Russian/Cyrillic (models)	41A5066	1
Serbian/Cyrillic (models)	41A5067	1
Slovak (models)	41A5068	1
Spanish (models)	41A5069	1
Swedish/Finnish (models)	41A5070	1
Swiss (models)	41A5071	1
Thailand (models)	41A5072	1
Turkish (models)	41A5073	1
Turkish (models)	41A5074	1
UK English (models)	41A5075	1
US Euro (models)	41A5076	1
Slovenian (models)	41A5077	1

9859 Keyboard (Lenovo Enhanced Perf, USB Preferred -- with hub)	FRU#	CRU Tier
US English (models)	41A4961	1
Arabic (models)	41A4962	1
Arabic/French (models)	41A4963	1
Belgian/French (models)	41A4964	1
Belgium English (models)	41A4965	1
Brazilian Portuguese (models)	41A4966	1
Bulgarian (models)	41A4967	1
Chinese/US (models)	41A4968	1
Czech (ABB) (models)	41A4969	1
Danish (models)	41A4970	1
Dutch (models)	41A4971	1
French (models)	41A4972	1
French Canadian (models)	41A4973	1
French Canadian (models)	41A4974	1
German (models)	41A4975	1
Greek (models)	41A4976	1
Greek/US (models)	41A5078	1
Hebrew (models)	41A4977	1
Hungarian (models)	41A4978	1
Iceland (models)	41A4979	1
Italy (models)	41A4980	1
Japanese (models)	41A4981	1
Korean (models)	41A4982	1
LA Spanish (models)	41A4983	1
Norwegian (models)	41A4984	1
Polish (models)	41A4985	1
Portuguese (models)	41A4986	1
Romanian (models)	41A4987	1
Russian/Cyrillic (models)	41A4988	1
Serbian/Cyrillic (models)	41A4989	1
Slovak (models)	41A4990	1
Spanish (models)	41A4991	1
Swedish/Finnish (models)	41A4992	1
Swiss French/German (models)	41A4993	1
Thailand (models)	41A4994	1
Turkish (models)	41A4995	1
Turkish (models)	41A4996	1
UK English (models)	41A4997	1

9859 Keyboard (Lenovo Enhanced Perf, USB Preferred -- with hub)	FRU#	CRU Tier
US European (models)	41A4998	1
Slovenian (models)	41A4999	1

9859 Keyboard (Lenovo Fingerprint Reader USB)	FRU#	CRU Tier
US English (models)	41A5248	1
Arabic (models)	41A5249	1
Arabic/French (models)	41A5250	1
Belgian French (models)	41A5251	1
Belgium English (models)	41A5252	1
Brazilian Portuguese (models)	41A5253	1
Bulgarian (models)	41A5254	1
Chinese/US (models)	41A5255	1
Czech (ABB) (models)	41A5256	1
Danish (models)	41A5257	1
Dutch (models)	41A5258	1
French (models)	41A5259	1
French Canadian (models)	41A5260	1
French Canadian (models)	41A5261	1
German (models)	41A5262	1
Greek (models)	41A5263	1
Greek/US (models)	41A5264	1
Hebrew (models)	41A5265	1
Hungarian (models)	41A5266	1
Iceland (models)	41A5267	1
Italy (models)	41A5268	1
Japanese (models)	41A5269	1
Korean (models)	41A5270	1
LA Spanish (models)	41A5271	1
Norwegian (models)	41A5272	1
Polish (models)	41A5273	1
Portuguese (models)	41A5274	1
Romanian (models)	41A5276	1
Russian/Cyrillic (models)	41A5277	1
Serbian/Cyrillic (models)	41A5278	1
Slovak (models)	41A5279	1
Spanish (models)	41A5280	1
Swedish/Finnish (models)	41A5281	1
Swiss French/German (models)	41A5282	1

9859 Keyboard (Lenovo Fingerprint Reader USB)	FRU#	CRU Tier
Thailand (models)	41A5283	1
Turkish (models)	41A5284	1
Turkish (models)	41A5285	1
UK English (models)	41A5286	1
US Euro (models)	41A5287	1
Slovenian (models)	41A5288	1

9859 mice	FRU#	CRU
Optical Wheel Mouse (400DPI, USB) (models ACJ ADJ AEJ AHS AGP AHY AFC AJH AJV 7CG 7BG 7AG AKH 7GG 7HG 7JG 8LH F5B F5H 81G 82G 83G 8QG 8RG)	41U3013	1
Optical Wheel Mouse (400DPI, USB) (models ACJ ADJ AEJ AHS AGP AHY AFC AJH AJV 7CG 7BG 7AG AKH 7GG 7HG 7JG 8LH F5B F5H 81G 82G 83G 8QG 8RG)	41U3030	1
PS/2 Three Button ball mouse (41R0017) (models AAB AAH ABB ABH)	41R0018	1

9859 Adapters and miscellaneous FRUs	FRU#	CRU
USB Memory Key (models)	43R2296	1
USB Memory Key - 1G RoW (models)	41U4978	1
Soft Modem V.90/V.44 SFF (models CTO)	46R4220	2
Internal USB Memory Card Reader Slim (models CTO)	45R1885	1
ATI HD 2400PRO 128MB 64BIT DMS59 LP (models)	43C0259	2
ATI HD 2400XT 256MB 64BIT DMS59 ATX (models)	43C0260	2
ADD2 DVI Adapter,LP (HDCP) (models)	43C0258	2
DVI-I connection Adapter Full Height (models 7HG 7JG 72G 73G 81G 83G)	39J9334	2
Speaker Power brick - US, Canada, LA low voltage, ASEAN (models)	89P8571	1
Speaker Power brick - LA high voltage (non-APU) (models AHS)	89P8575	1
Speaker Power brick - China, Thailand (models AFC)	89P8581	1
Speaker Power brick - Japan (models ACJ ADJ AEJ)	89P8577	1
Speaker Power brick - Brazil (models)	89P8583	1
Speaker Power brick - Argentina (models)	41A4901	1
Speaker Power brick - ANZ (models)	89P8579	1
Speaker Brick - Korea (models)	41A4903	1
Speaker Brick - Hong Kong, EMEA (models AAH ABH AJH AKH 7GG 7HG 7JG 8LH 71G 72G 73G F5H 81G 83G 82G 8QG 8RG)	89P8573	1
Speaker Brick - Taiwan (models AJV)	41A4905	1
Speaker Power brick - India, South Africa (models)	89P8585	1
Dongle DMS Dule DMS-59 to dual VGA Cable(models)	42Y8181	2
Dongle DMS Dule DMS-59 to dual DVI Cable (models)	41X6398	2

9859 Line Cords	FRU#	CRU
Line cord - US (models)	41R3184	1
Line cord - US (models)	41R3185	1
Line cord - China (models AFC)	41R3256	1
Line cord - China (models AFC)	41R3257	1
Line cord - Brazil (models AGP)	41R3270	1
Line cord - Brazil (models AGP)	41R3271	1
Line cord - LA High Volt APU (models)	41R3176	1
Line Cord - LA High Volt APU (models)	41R3177	1
Line Cord - Korea (models)	41R3260	1
Line Cord - Korea (models)	41R3261	1
Line Cord - UK, Ireland, Singapore, Malaysia, Brunei (models 7CG 7BG 7AG 7GG 7HG 7JG 71G 72G 73G 81G 83G 82G 8QG 8RG)	41R3224	1
Line Cord - UK, Ireland, Singapore, Malaysia, Brunei (models 7CG 7BG 7AG 7GG 7HG 7JG 71G 72G 73G 81G 83G 82G 8QG 8RG)	41R3225	1
Line Cord - Taiwan (models AJV)	41R3278	1
Line Cord - Taiwan (models AJV)	41R3279	1
Line Cord - Italy (models AHS AHY)	41R3232	1
Line Cord - Italy (models AHS AHY)	41R3233	1
Line Cord - Indonesia, Laos, Cambodia, and Vietnam (models)	41R3208	1
Line Cord - Indonesia, Laos, Cambodia, and Vietnam (models)	41R3209	1
Line Cord - Denmark (models 7CG 7BG 7AG 7GG 7HG 7JG 71G 72G 73G 81G 83G 82G 8QG 8RG)	41R3212	1
Line Cord - Denmark (models 7CG 7BG 7AG 7GG 7HG 7JG 71G 72G 73G 81G 83G 82G 8QG 8RG)	41R3213	1
Line Cord - Switzerland (models 7CG 7BG 7AG 7GG 7HG 7JG 71G 72G 73G 81G 83G 82G 8QG 8RG)	41R3228	1
Line Cord - Switzerland (models 7CG 7BG 7AG 7GG 7HG 7JG 71G 72G 73G 81G 83G 82G 8QG 8RG)	41R3229	1
Line Cord - Israel (models 7CG 7BG 7AG 7GG 7HG 7JG 71G 72G 73G 81G 83G 82G 8QG 8RG)	41R3236	1
Line Cord - Israel (models 7CG 7BG 7AG 7GG 7HG 7JG 71G 72G 73G 81G 83G 82G 8QG 8RG)	41R3237	1
Line Cord - South Africa (models 7CG 7BG 7AG 7GG 7HG 7JG 71G 72G 73G 81G 83G 82G 8QG 8RG)	41R3220	1
Line Cord - South Africa (models 7CG 7BG 7AG 7GG 7HG 7JG 71G 72G 73G 81G 83G 82G 8QG 8RG)	41R3221	1
Line Cord - India (models)	41R3341	1
Line Cord - India (models)	41R3175	1
Line Cord - Japan (models)	41R3248	1
Line Cord - Japan (models)	41R3249	1
Line Cord - ANZ (models)	41R3196	1
Line Cord - ANZ (models)	41R3197	1

9859 Line Cords	FRU#	CRU
Line Cord - Hong Kong (models AJH AKH 8LH)	41R3224	1
Line Cord - Hong Kong (models AJH AKH 8LH)	41R3225	1

9859 Windows XP Home Recovery CDs	FRU#	CRU
US/UK/AP/TH (models)	TBD	1
FR/CF (models)	TBD	1
GR (models)	TBD	1
IT (models)	TBD	1
BR (models)	TBD	1
SP/LA (models)	TBD	1
DK (models)	TBD	1
NL (models)	TBD	1
AE (models)	TBD	1
SV (Swedish) (models)	TBD	1
HE (models)	TBD	1
FI (models)	TBD	1
NO (models)	TBD	1
PL (models)	TBD	1
PO (models)	TBD	1
RU (models)	TBD	1
RE (models)	TBD	
HU (models)	TBD	1
CZ (models)	TBD	1
TR (models)	TBD	1
GK (models)	TBD	1
Japanese (models)	TBD	1
Simplified Chinese (models)	TBD	1
Taiwan-TC (models)	TBD	1
Hong Kong-TC (models)	TBD	1
Korean (models)	TBD	1

9859 Windows XP Pro Recovery CDs	FRU#	CRU
US/UK/AP/TH (models 7CG 7BG 7AG 71G 72G 73G F5H)	45R0756	1
FR/CF (models 7CG 7BG 7AG 71G 72G 73G)	45R0759	1
GR (models 7CG 7BG 7AG 71G 72G 73G)	45R0760	1
IT (models 7CG 7BG 7AG 71G 72G 73G)	45R0762	1
BR (models)	45R0763	1
SP/LA (models 7CG 7BG 7AG 71G 72G 73G)	45R0761	1
DK (models 7CG 7BG 7AG 71G 72G 73G)	45R0764	1

9859 Windows XP Pro Recovery CDs	FRU#	CRU
NL (models 7CG 7BG 7AG 71G 72G 73G)	45R0767	1
AE (models 7CG 7BG 7AG 71G 72G 73G)	45R2342	1
SV (Swedish) (models 7CG 7BG 7AG 71G 72G 73G)	45R0765	1
HE (models 7CG 7BG 7AG 71G 72G 73G)	45R2334	1
FI (models 7CG 7BG 7AG 71G 72G 73G)	45R0766	1
NO (models 7CG 7BG 7AG 71G 72G 73G)	45R0770	1
PL (models 7CG 7BG 7AG 71G 72G 73G)	45R0777	1
PO (models 7CG 7BG 7AG 71G 72G 73G)	45R0774	1
RU (models 7CG 7BG 7AG 71G 72G 73G)	45R0773	1
RE (models 7CG 7BG 7AG 71G 72G 73G)	45R2318	1
HU (models 7CG 7BG 7AG 71G 72G 73G)	45R0780	1
CZ (models 7CG 7BG 7AG 71G 72G 73G)	45R0776	1
TR (models 7CG 7BG 7AG 71G 72G 73G)	45R0775	1
GK (models 7CG 7BG 7AG 71G 72G 73G)	45R0772	1
SL (models 7CG 7BG 7AG 71G 72G 73G)	45R2326	1
Japanese (models)	45R0757	1
Simplified Chinese (models)	45R0758	1
Taiwan-TC (models)	45R0768	1
Hong Kong-TC (models F5B)	45R0769	1
Korean (models)	45R0771	1
Multilingual 1 XP-Pro -- EN, NL, FR, GR, IT (models 7CG 7BG 7AG 71G 72G 73G)	45R8246	1
Multilingual 2 XP-Pro -- EN, DK, FI, NO, SV (models 7CG 7BG 7AG 71G 72G 73G)	45R8247	1

9859 Vista Home Basic 32 SP1 Recovery DVDs	FRU#	CRU
English (models)	46R7273	1
Japanese (models)	46R7274	1
Simplified Chinese (models)	46R7275	1
French (models)	46R7276	1
German (models)	46R7277	1
Spanish (models)	46R7278	1
Italian (models)	46R7279	1
Brazilian Portuguese (models)	46R7280	1
Danish (models)	46R7281	1
Swedish (models)	45R9758	1
Finland (models)	45R9759	1
Dutch (models)	45R9760	1
Traditional Chinese (models)	46R7282	1
Hong Kong (models)	46R7283	1
Norwegian (models)	46R7284	1

9859 Vista Home Basic 32 SP1 Recovery DVDs	FRU#	CRU
Korean (models)	45R9764	1
Slovenian (models)	45R9765	1
Greek (models)	45R9766	1
Russian (models)	46R7285	1
Portuguese (models)	45R9768	1
Turkish (models)	45R9769	1
Czech (models)	45R9770	1
Polish (models)	45R9771	1
Russian English (models)	46R7286	1
Arabic Localized (models)	45R9773	1
Hebrew (models)	45R9774	1
Hungarian (models)	45R9775	1
Slovakian (models)	45R9776	1

9859 Vista Business 32 SP1 Recovery DVDs	FRU#	CRU
English (models AAH ABH AJH AKH 7GG 7HG 7JG 8LH 81G 83G 82G 8QG 8RG)	46R7287	1
Japanese (models ACJ ADJ AEJ)	46R7288	1
Simplified Chinese (models AFC)	46R7289	1
French (models 7GG 7HG 7JG 81G 83G 82G 8QG 8RG)	46R7290	1
German (models 7GG 7HG 7JG 81G 83G 82G 8QG 8RG)	46R7291	1
Spanish (models AHS AGP AHY)	46R7292	1
Italian (models 7GG 7HG 7JG 81G 83G 82G 8QG 8RG)	46R7293	1
Brazilian Portuguese (models)	46R7294	1
Danish (models 7GG 7HG 7JG 81G 83G 82G 8QG 8RG)	46R7295	1
Swedish (models 7GG 7HG 7JG 81G 83G 82G 8QG 8RG)	45R9786	1
Finland (models 7GG 7HG 7JG 81G 83G 82G 8QG 8RG)	45R9787	1
Dutch (models 7GG 7HG 7JG 81G 83G 82G 8QG 8RG)	45R9788	1
Traditional Chinese (models AAB ABB AJV)	46R7296	1
Hong Kong (models AAB ABB AJV)	46R7297	1
Norwegian (models 7GG 7HG 7JG 81G 83G 82G 8QG 8RG)	46R7298	1
Korean (models)	45R9792	1
Slovenian (models 7GG 7HG 7JG 81G 83G 82G 8QG 8RG)	45R9793	1
Greek (models 7GG 7HG 7JG 81G 83G 82G 8QG 8RG)	45R9794	1
Russian (models 7GG 7HG 7JG 81G 83G 82G 8QG 8RG)	46R7299	1
Portuguese (models 7GG 7HG 7JG 81G 83G 82G 8QG 8RG)	45R9796	1
Turkish (models 7GG 7HG 7JG 81G 83G 82G 8QG 8RG)	45R9797	1
Czech (models 7GG 7HG 7JG 81G 83G 82G 8QG 8RG)	45R9798	1
Polish (models 7GG 7HG 7JG 81G 83G 82G 8QG 8RG)	45R9799	1
Russian English (models 7GG 7HG 7JG 81G 83G 82G 8QG 8RG)	46R7300	1

9859 Vista Business 32 SP1 Recovery DVDs	FRU#	CRU
Arabic Localized (models 7GG 7HG 7JG 81G 83G 82G 8QG 8RG)	45R9801	1
Hebrew (models 7GG 7HG 7JG 81G 83G 82G 8QG 8RG)	45R9802	1
Romanian (models 7GG 7HG 7JG 81G 83G 82G 8QG 8RG)	45R9803	1
Hungarian (models 7GG 7HG 7JG 81G 83G 82G 8QG 8RG)	45R9804	1
Slovakian (models 7GG 7HG 7JG 81G 83G 82G 8QG 8RG)	45R9805	1
Serbian-Latin (models 7GG 7HG 7JG 81G 83G 82G 8QG 8RG)	45R9806	1

9859 Vista VHP SP1 Recovery DVDs	FRU#	CRU
English (models)	46R7315	1
Japanese (models)	46R7316	1
Simplified Chinese (models)	46R7317	1
French (models)	46R7318	1
German (models)	46R7319	1
Spanish (models)	46R7320	1
Italian (models)	46R7321	1
Brazilian Portuguese (models)	46R7322	1
Danish (models)	46R7323	1
Swedish (models)	45R9844	1
Finland (models)	45R9845	1
Dutch (models)	45R9846	1
Traditional Chinese (models)	46R7324	1
Hong Kong (models)	46R7325	1
Norwegian (models)	46R7326	1
Korean (models)	45R9850	1
Slovenian (models)	45R9851	1
Greek (models)	45R9852	1
Russian (models)	46R7327	1
Portuguese (models)	45R9854	1
Turkish (models)	45R9855	1
Czech (models)	45R9856	1
Polish (models)	45R9857	1
Russian English (models)	46R7328	1
Arabic Localized (models)	45R9859	1
Hebrew (models)	45R9860	1
Romanian (models)	45R9861	1
Hungarian (models)	45R9862	1
Slovakian (models)	45R9863	1
Serbian-Latin (models)	45R9864	1

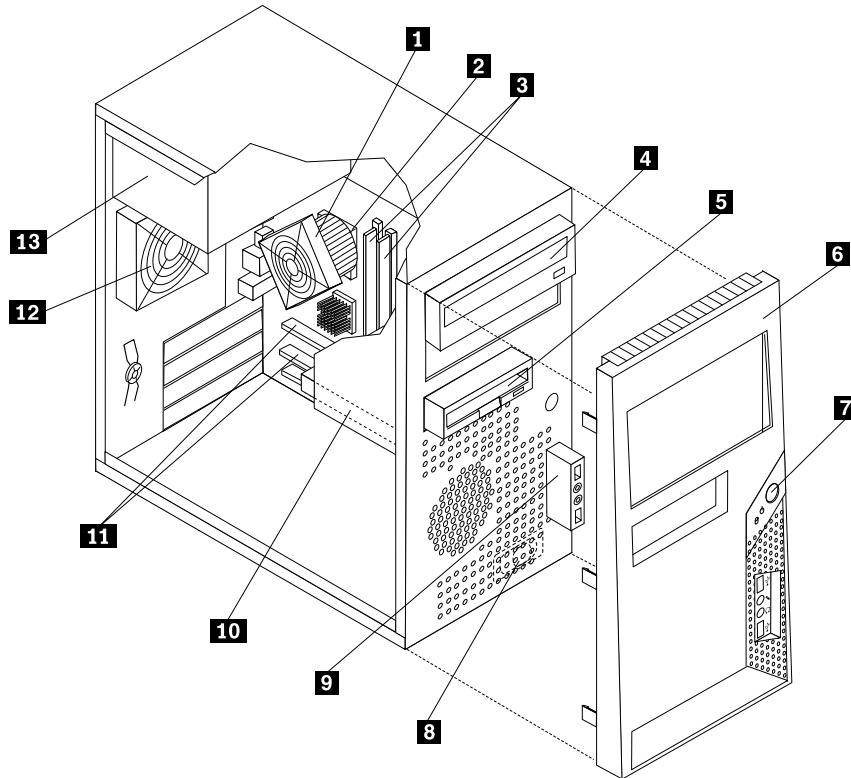
9859 Vista Business 64 SP1 Recovery DVDs	FRU#	CRU
English (models)	46R7301	1
Russian English (models)	46R7302	1
French (models)	46R7303	1
German (models)	46R7304	1
Spanish (models)	46R7305	1
Brazilian Portuguese (models)	46R7306	1
Italian (models)	46R7307	1
Japanese (models)	46R7308	1
Norwegian (models)	46R7309	1
Swedish (models)	45R9816	1
Danish (models)	45R9817	1
Dutch (models)	45R9818	1
Czech (models)	46R7310	1
Finnish (models)	46R7311	1
Polish (models)	46R7312	1
Russian (models)	45R9822	1
Turkish (models)	45R9823	1
Hungarian (models)	45R9824	1
Greek (models)	45R9825	1
Simplified Chinese (models)	46R7313	1
Taiwan (models)	45R9827	1
HongKong (models)	45R9828	1
Korea (models)	45R9829	1
Russian English (models)	46R7314	1
Portuguese (models)	45R9831	1
Arabic Localized (models)	45R9832	1
Hebrew (models)	45R9833	1
Slovakian (models)	45R9834	1

9859 Vista Ultimate 32 SP1 Recovery DVDs	FRU#	CRU
English (models)	46R7329	1
Japanese (models)	46R7330	1
Simplified Chinese (models)	46R7331	1
French (models)	46R7332	1
German (models)	46R7333	1
Spanish (models)	46R7334	1
Italian (models)	46R7335	1
Brazilian Portuguese (models)	46R7336	1
Danish (models)	46R7337	1

9859 Vista Ultimate 32 SP1 Recovery DVDs	FRU#	CRU
Swedish (models)	45R9874	1
Finland (models)	45R9875	1
Dutch (models)	45R9876	1
Traditional Chinese (models)	46R7338	1
Hong Kong (models)	46R7339	1
Norwegian (models)	46R7340	1
Korean (models)	45R9880	1
Slovenian (models)	45R9881	1
Greek (models)	45R9882	1
Russian (models)	46R7341	1
Portuguese (models)	45R9884	1
Turkish (models)	45R9885	1
Czech (models)	45R9886	1
Polish (models)	45R9887	1
Russian English (models)	46R5089	1
Arabic Localized (models)	46R7342	1
Hebrew (models)	45R9890	1
Hungarian (models)	45R9891	1
Slovakian (models)	45R9892	1

9859 Vista Starter 32 Recovery DVDs	FRU#	CRU
English (models)	46R5059	1

Machine Type 9948



Item #	9948 FRUs	FRU#	CRU Tier
1	Intel 65W/95W Heatsink Kit (Tower) (all models)	41R6429	2
2	Microprocessor, Celeron 420 CONROE-L 800/1600MHZ-512K,LGA,EM64T (models)	43C3835	N
2	Microprocessor, Celeron 430 CONROE-L 800/1800MHZ-512K,LGA,EM64T (models)	43C1964	N
2	Microprocessor, Celeron 440 CONROE-L 800/2000MHZ-512K,LGA,EM64T (models)	43C1965	N
2	Microprocessor, Pentium Dual-core E2140 CONROE-L 800/1600MHZ-1M, LGA, EM64T (models)	43C1967	N
2	Microprocessor, Pentium Dual-core E2160 CONROE-L 800/1800MHZ-1M, LGA, EM64T (models)	43C1968	N
2	Microprocessor, Core 2 Duo E4400 L2 CONROE 800/2000MHZ-2M, LGA, EM64T (models)	43C2056	N
2	Microprocessor, Core 2 Duo E6400 B2 CONROE 1066/2130MHZ-2M, LGA, EM64T L2 Value (models)	41X2496	N
2	Microprocessor, Pentium Dual-core E2200 CONROE-L 800/2200MHZ-1M, LGA, EM64T - NPI (models CTO)	45C5349	N
2	Microprocessor, Pentium Dual-core E2180 CONROE-L 800/2000MHZ-1M, LGA, EM64T - NPI (models CTO)	45C1773	N
2	Microprocessor, Pentium Dual-core E2220 CONROE-L 800/2400MHZ-1M, LGA, EM64T - NPI (models CTO)	45C1774	N
2	Microprocessor, Core 2 Duo E4600 M0 CONROE 800/2400MHZ-2M, LGA, EM64T - NPI (models CTO)	45C5282	N

Item #	9948 FRUs	FRU#	CRU Tier
2	Microprocessor, Core 2 Duo E4500 M0 CONROE 800/2200MHZ-2M, LGA, EM64T (models CTO)	43C6305	N
2	Microprocessor, Core 2 Duo E6850 G0 CONROE 1333/3000MHZ-4M, LGA, EM64T (models CTO)	43C1694	N
2	Microprocessor, Core 2 Duo E6750 G0 CONROE 1333/2660MHZ-4M, LGA, EM64T (models CTO)	43C1693	N
2	Microprocessor, Core 2 Duo E6550 G0 CONROE 1333/2330MHZ-4M, LGA, EM64T (models CTO)	43C3833	N
2	Microprocessor, Core 2 Quad G-0 Q6700 KENTSFIELD 1066/2660MHZ-8M (models CTO)	43C6309	N
2	Microprocessor, Core 2 Quad G-0 Q6600 KENTSFIELD 1066/2400MHZ-8M (models CTO)	43C1695	N
2	Microprocessor, Core 2 Duo E8500 WOLFDAL E 1333/3160MHZ-6M (models CTO)	45C7735	N
2	Microprocessor, Core 2 Duo E8400 WOLFDAL E 1333/3000MHZ-6M (models CTO)	45C7736	N
2	Microprocessor, Core 2 Duo E8200 WOLFDAL E 1333/2660MHZ-6M (models CTO)	45C7738	N
2	Microprocessor, Core 2 Duo E8190 WOLFDAL E 1333/2660MHZ-6M - NON VT/Vpro (models CTO)	45R2568	N
2	Microprocessor, Core 2 Quad Q9550 C-1 YORKFIELD 2.83GHz 1333MHZ FSB 12M L2 (models CTO)	45C7739	N
2	Microprocessor, Core 2 Quad Q9450 C-1 YORKFIELD 2.66GHz 1333MHZ FSB 12M L2 (models CTO)	45C7740	N
2	Microprocessor, Core 2 Quad Q9300 M-1 YORKFIELD 2.5GHz 1333MHZ FSB 6M L2 (models CTO)	45C7741	N
2	Microprocessor, Core 2 Duo E8300 C-0 WOLFDAL E 2.83GHz 1333MHZ FSB 6M L2 (models CTO)	45C7737	N
2	Microprocessor, Core 2 Duo E7300 M-0 2.66GHz 1066MHz FSB 3M L2 (models CTO)	46R1622	N
2	Microprocessor, Core 2 Duo E7200 M-0 2.53GHz 1066MHz FSB 3M L2 (models CTO)	45R8337	N
2	Microprocessor, Core 2 Duo E4700 G-0 2.6GHz 800MHz FSB 2M L2 (models CTO)	45R5786	N
2	Microprocessor, Celeron Dual Core E1400 M-0 2.0GHz 800MHz FSB 512K L2 (models CTO)	45R8339	N
2	Microprocessor, Celeron Dual Core E1200 M-0 1.6GHz 800MHz FSB 512K L2, LGA, EM64T - NPI (models CTO)	45R8341	N
2	Microprocessor, Core 2 Duo E8600 E-0 WOLFDAL E 3.33GHz 1333MHZ FSB 6M L2 (models CTO)	46R8640	N
3	Memory module, 512 MB PC-5300 (667MHz) DDR2 SDRAM (models AAV)	41X4255	2
3	Memory module, 1 GB PC-5300 (667MHz) DDR2 SDRAM (models ABG)	41X4256	2
3	Memory module, 2 GB PC-5300 (667MHz) DDR2 SDRAM (models)	41X4257	2
3	Memory module, 512 MB PC2-6400 (800MHz) DDR2 SDRAM (models)	41X1079	2
3	Memory module, 1GB PC-6400 (800MHz) DDR2 SDRAM (models)	41X1080	2
3	Memory module, 2GB PC-6400 (800MHz) DDR2 SDRAM (models)	41X1081	2
4	DVD-ROM Drive - 16x/48x - SATA Vista & non-Vista (models AAV)	41N3325	2
4	DVD-ROM Drive - DVD-ROM/CD-RW Combo Drive - 48x/32x/48x/16x - SATA Vista & non-Vista (models)	42Y9353	2

Item #	9948 FRUs	FRU#	CRU Tier
4	DVD-ROM Drive - DVD-RW/CD-RW Rambo 8 - SATA Vista & non-Vista (models ABG)	43C1042	2
5	Diskette drive, 3.5" 1.44MB 2 Mode FDD with Bezel and cable (models)	40Y9107	2
5	Diskette drive, 3.5" 1.44MB 2 Mode FDD with Bezel and cable (models)	40Y9105	2
6	Bezel assembly without IBM mark(all models)	41R6243	2
7	Power switch/LED assembly (all models)	41N5284	2
8	Speaker assembly, soldered terminals (models)	39P5023	2
9	Front audio/USB assembly (all models)	41N8054	2
10	Hard disk drive, SATA 80GB 7200RPM/3Gb/8MB (models)	40Y9034	2
10	Hard disk drive, SATA 160GB 7200RPM/3Gb/8MB (models AAV)	40Y9035	2
10	Hard disk drive, SATA 320GB 7200rpm SATA/8MB (models)	87H4891	2
11	System board , Intel G31 mATX GA Level (models)	53Y3282	N
12	Fan, 4 Pin System Fan (all models)	41R6269	2
13	Power supply, ATX 280W Power supply; Robust; for all countries except for JP (models AAV ABG)	41A9684	2
13	Power supply, ATX 280W 80% power supply;for all countries (models AAV ABG)	41A9665	2
13	Power supply, ATX 310W Power supply Robust; for all countries (models AAV ABG)	41A9726	2

The FRUs listed in the following tables are not illustrated.

9948 FRUs	FRU#	CRU Tier
Shield, 5.25 EMC (all models)	41N8080	2
Shield, diskette drive EMC (all models)	41N8078	2
Cabel, SATA 457mm (RoHS) (all models)	43N9013	2
Cabel,SATA 250mm (RoHS) (all models)	43N9012	2
Cable, Diskette drive (RoHs) (all models)	41A7182	2
Cover, left side (all models)	41N8050	2
Retainer, Card Reader (all models)	41R2913	2
Fan, front (all models)	41R4791	2
Optional HDD Bracket Asm, without 4Pin cable (all models)	41R6106	2
Intrusion Switch asm (all models)	41R6116	2
Hard disk drive tray (all models)	41R6291	2
Planer shield, Atx 946, with usb number (all models)	41R6378	N
Temperature Sense cable (460 mm) (all models)	41R2509	2
Asm Chassis Without IBM Mark (all models)	41R6408	2
Card reader retainer (models)	43N9351	2
Blank 5.25" Bezel (models)	41N8077	3
Fru,Tamdhu chassis primary HDD cage (all models)	45K6272	1

9948 FRUs	FRU#	CRU Tier
Fru,Tamdhu ruber foot(For acoustic improvement) (all models)	45K6278	2
BATTERY 3V-LITHIUM (TOWER,ROCKYS,LX-607) (models ABG AAV)	45C1566	N

9948 Keyboard (Lenovo USB Preferred -- without hub)	FRU#	CRU Tier
US English (models)	41A5039	1
Arabic (models)	41A5040	1
Arabic/French (models)	41A5041	1
Belgian/French (models)	41A5042	1
Belgian/English (models)	41A5043	1
Brazilian Portuguese (models)	41A5044	1
Bulgarian (models)	41A5045	1
Chinese/US (models)	41A5046	1
Czech (models)	41A5047	1
Danish (models)	41A5048	1
Dutch (models)	41A5049	1
French (models)	41A5050	1
French Canadian (models)	41A5051	1
French Canadian (models)	41A5052	1
German (models)	41A5053	1
Greek (models)	41A5054	1
Greek/US (models)	41A5080	1
Hebrew (models)	41A5055	1
Hungarian (models)	41A5056	1
Iceland (models)	41A5057	1
Italian (models)	41A5058	1
Japanese (models)	41A5059	1
Korean (models)	41A5060	1
LA Spanish (models)	41A5061	1
Norwegian (models)	41A5062	1
Polish (models)	41A5063	1
Portuguese (models)	41A5064	1
Romanian (models)	41A5065	1
Russian/Cyrillic (models)	41A5066	1
Serbian/Cyrillic (models)	41A5067	1
Slovak (models)	41A5068	1
Spanish (models)	41A5069	1
Swedish/Finnish (models)	41A5070	1
Swiss (models)	41A5071	1

9948 Keyboard (Lenovo USB Preferred -- without hub)	FRU#	CRU Tier
Thailand (models)	41A5072	1
Turkish (models)	41A5073	1
Turkish (models)	41A5074	1
UK English (models)	41A5075	1
US Euro (models)	41A5076	1
Slovenian (models)	41A5077	1

9948 Keyboard (Lenovo USB Preferred -- without hub)	FRU#	CRU Tier
US English (models ABG)	41A5289	1
Arabic (models ABG)	41A5290	1
Arabic/French (models)	41A5291	1
Belgian/French (models ABG)	41A5292	1
Belgian/UK (models ABG)	41A5293	1
Brazilian Portuguese (models)	41A5294	1
Bulgarian (models ABG)	41A5295	1
Chinese/US (models AAV)	41A5296	1
Czech (models ABG)	41A5297	1
Danish (models ABG)	41A5298	1
Dutch (models ABG)	41A5299	1
French (models ABG)	41A5300	1
French Canadian (models)	41A5301	1
French Canadian (models)	41A5302	1
German (models ABG)	41A5303	1
Greek (models ABG)	41A5304	1
Greek/US (models ABG)	41A5305	1
Hebrew (models ABG)	41A5306	1
Hungarian (models ABG)	41A5307	1
Iceland (models ABG)	41A5308	1
Italian (models ABG)	41A5309	1
Japanese (models)	41A5310	1
Korean (models)	41A5311	1
LA Spanish (models)	41A5312	1
Norwegian (models ABG)	41A5313	1
Polish (models ABG)	41A5314	1
Portuguese (models ABG)	41A5315	1
Romanian (models ABG)	41A5317	1
Russian/Cyrillic (models ABG)	41A5318	1
Serbian/Cyrillic (models ABG)	41A5319	1

9948 Keyboard (Lenovo USB Preferred -- without hub)	FRU#	CRU Tier
Slovak (models ABG)	41A5320	1
Spanish (models ABG)	41A5321	1
Swedish/Finnish (models ABG)	41A5322	1
Swiss (models ABG)	41A5323	1
Thailand (models)	41A5324	1
Turkish (models ABG)	41A5325	1
Turkish (models ABG)	41A5326	1
UK English (models ABG)	41A5327	1
US Euro (models ABG)	41A5328	1
Slovenian (models ABG)	41A5329	1

9948 Keyboard (Lenovo Enhanced Perf, USB Preferred -- with hub)	FRU#	CRU Tier
US English (models)	41A4961	1
Arabic (models)	41A4962	1
Arabic/French (models)	41A4963	1
Belgian French (models)	41A4964	1
Belgium English (models)	41A4965	1
Brazilian Portuguese (models)	41A4966	1
Bulgarian (models)	41A4967	1
Chinese/US (models)	41A4968	1
Czech (ABB) (models)	41A4969	1
Danish (models)	41A4970	1
Dutch (models)	41A4971	1
French (models)	41A4972	1
French Canadian (models)	41A4973	1
French Canadian (models)	41A4974	1
German (models)	41A4975	1
Greek (models)	41A4976	1
Greek/US (models)	41A5078	1
Hebrew (models)	41A4977	1
Hungarian (models)	41A4978	1
Iceland (models)	41A4979	1
Italian (models)	41A4980	1
Japanese (models)	41A4981	1
Korean (models)	41A4982	1
LA Spanish (models)	41A4983	1
Norwegian (models)	41A4984	1
Polish (models)	41A4985	1

9948 Keyboard (Lenovo Enhanced Perf, USB Preferred -- with hub)	FRU#	CRU Tier
Portuguese (models)	41A4986	1
Romanian (models)	41A4987	1
Russian/Cyrilic (models)	41A4988	1
Serbian/Cyrilic (models)	41A4989	1
Slovak (models)	41A4990	1
Spanish (models)	41A4991	1
Swedish/Finnish (models)	41A4992	1
Swiss French/German (models)	41A4993	1
Thailand (models)	41A4994	1
Turkish (models)	41A4995	1
Turkish (models)	41A4996	1
UK English (models)	41A4997	1
US Euro (models)	41A4998	1
Slovenian (models)	41A4999	1

9948 Keyboard (Lenovo Fingerprint Reader USB)	FRU#	CRU Tier
US English (models)	41A5248	1
Arabic (models)	41A5249	1
Arabic/French (models)	41A5250	1
Belgian French (models)	41A5251	1
Belgium English (models)	41A5252	1
Brazilian Portuguese (models)	41A5253	1
Bulgarian (models)	41A5254	1
Chinese/US (models)	41A5255	1
Czech (ABB) (models)	41A5256	1
Danish (models)	41A5257	1
Dutch (models)	41A5258	1
French (models)	41A5259	1
French Canadian (models)	41A5260	1
French Canadian (models)	41A5261	1
German (models)	41A5262	1
Greek (models)	41A5263	1
Greek/US (models)	41A5264	1
Hebrew (models)	41A5265	1
Hungarian (models)	41A5266	1
Iceland (models)	41A5267	1
Italian (models)	41A5268	1
Japanese (models)	41A5269	1

9948 Keyboard (Lenovo Fingerprint Reader USB)	FRU#	CRU Tier
Korean (models)	41A5270	1
LA Spanish (models)	41A5271	1
Norwegian (models)	41A5272	1
Polish (models)	41A5273	1
Portuguese (models)	41A5274	1
Romanian (models)	41A5276	1
Russian/Cyrilic (models)	41A5277	1
Serbian/Cyrilic (models)	41A5278	1
Slovak (models)	41A5279	1
Spanish (models)	41A5280	1
Swedish/Finnish (models)	41A5281	1
Swiss French/German (models)	41A5282	1
Thailand (models)	41A5283	1
Turkish (models)	41A5284	1
Turkish (models)	41A5285	1
UK English (models)	41A5286	1
US Euro (models)	41A5287	1
Slovenian (models)	41A5288	1

9948 mice	FRU#	CRU Tier
Optical Wheel Mouse (400DPI, USB) (all models)	41U3013	1
Optical Wheel Mouse (400DPI, USB) (all models)	41U3030	1
PS/2 Three Button ball mouse (41R0017) (models)	41R0018	1

9948 Adapters and miscellaneous FRUs	FRU#	CRU
Internal USB Memory Card Reader floppy bay (models)	41R3378	2
Internal USB 20 in 1 Memory CardReader floppy bay (models)	45R8139	2
Internal USB Memory Card Reader floppy bay (models)	41R3376	2
Soft Modem V.90/V.44 ATX (models CTO)	46R4220	2
ATI HD 2600XT 512MB 128BIT ATX (models)	43C0261	2
IEEE 1394 Firewire Adapter SFF (models)	41D2781	2
Internal USB Memory Card Reader Slim (models)	43C9207	1
ADD2 DVI Adapter,FH (HDCP) (models)	43C0258	2
ATI HD 2400PRO 128MB 64BIT DMS59 LP (models)	43C0259	2
ATI HD 2400PRO 128MB 64BIT DMS59 ATX (models)	43C0259	2
ATI HD 2400XT 256MB 64BIT DMS59 ATX (models)	43C0260	2
DVI-I connection Adapter Full Height(models)	39J9334	2
DVI-I connection Adapter Low Profile (models ABG)	39J9334	2

9948 Adapters and miscellaneous FRUs	FRU#	CRU
Speaker Power brick - US, Canada, LA low voltage, ASEAN (models)	89P8571	1
Speaker Power brick - LA high voltage (non-APU) (models)	89P8575	1
Speaker Power brick - China, Thailand (models)	89P8581	1
Speaker Power brick - Japan (models)	89P8577	1
Speaker Power brick - Brazil (models)	89P8583	1
Speaker Power brick - Argentina (models)	41A4901	1
Speaker Power brick - ANZ (modes)	89P8579	1
Speaker Brick - Korea (models)	41A4903	1
Speaker Brick - Hong Kong, EMEA (models ABG)	89P8573	1
Speaker Brick - Taiwan (models AAV)	41A4905	1
Speaker Power brick - India, South Africa (models)	89P8585	1
Dongle DMS Dule DMS-59 to dual VGA Cable (models)	42Y8181	2
Dongle DMS Dule DMS-59 to dual DVI Cable (models)	41X6398	2

9948 Line Cords	FRU#	CRU
Line cord - US (models)	41R3184	1
Line cord - US (models)	41R3185	1
Line cord - China (models)	41R3256	1
Line cord - China (models)	41R3257	1
Line cord - Brazil (models)	41R3270	1
Line cord - Brazil (models)	41R3271	1
Line cord - LA High Volt APU (models ABG)	41R3176	1
Line Cord - LA High Volt APU (models ABG)	41R3177	1
Line Cord - Korea (models)	41R3260	1
Line Cord - Korea (models)	41R3261	1
Line Cord - UK, Ireland, Singapore, Malaysia, Brunei (models ABG)	41R3224	1
Line Cord - UK, Ireland, Singapore, Malaysia, Brunei (models ABG)	41R3225	1
Line Cord - Taiwan (models AAV)	41R3278	1
Line Cord - Taiwan (models AAV)	41R3279	1
Line Cord - Italy (models ABG)	41R3232	1
Line Cord - Italy (models ABG)	41R3233	1
Line Cord - Indonesia, Laos, Cambodia, and Vietnam (models)	41R3208	1
Line Cord - Indonesia, Laos, Cambodia, and Vietnam (models)	41R3209	1
Line Cord - Denmark (models ABG)	41R3212	1
Line Cord - Denmark (models ABG)	41R3213	1
Line Cord - Switzerland (models)	41R3228	1
Line Cord - Switzerland (models)	41R3229	1
Line Cord - Israel (models ABG)	41R3236	1
Line Cord - Israel (models ABG)	41R3237	1

9948 Line Cords	FRU#	CRU
Line Cord - South Africa (models ABG)	41R3220	1
Line Cord - South Africa (models ABG)	41R3221	1
Line Cord - India (models)	41R3341	1
Line Cord - India (models)	41R3175	1
Line Cord - Japan (models)	41R3248	1
Line Cord - Japan (models)	41R3249	1
Line Cord - ANZ (models)	41R3196	1
Line Cord - ANZ (models)	41R3197	1
Line Cord - Hong Kong (models)	41R3224	1
Line Cord - Hong Kong (models)	41R3225	1

9948 Windows XP Home Recovery CDs	FRU#	CRU
US/UK/AP/TH (models)	TBD	1
FR/CF (models)	TBD	1
GR (models)	TBD	1
IT (models)	TBD	1
BR (models)	TBD	1
SP/LA (models)	TBD	1
DK (models)	TBD	1
NL (models)	TBD	1
AE (models)	TBD	1
SV (models)	TBD	1
HE (models)	TBD	1
FI (models)	TBD	1
NO (models)	TBD	1
PL (models)	TBD	1
PO (models)	TBD	1
RU (models)	TBD	1
RE (models)	TBD	1
HU (models)	TBD	1
CZ (models)	TBD	1
TR (models)	TBD	1
GK (models)	TBD	1
Japanese (models)	TBD	1
Simplified Chinese (models)	TBD	1
Taiwan-TC (models)	TBD	1
Hong Kong-TC (models)	TBD	1
Korean (models)	TBD	1

9948 Windows XP Pro Recovery CDs	FRU#	CRU
US/UK/AP/TH (models)	45R0756	1
FR/CF (models)	45R0759	1
GR (models)	45R0760	1
IT (models)	45R0762	1
BR (models)	45R0763	1
SP/LA (models)	45R0761	1
DK (models)	45R0764	1
NL (models)	45R0767	1
AE (models)	45R2342	1
SV (Swedish) (models)	45R0765	1
HE (models)	45R2334	1
FI (models)	45R0766	1
NO (models)	45R0770	1
PL (models)	45R0777	1
PO (models)	45R0774	1
RU (models)	45R0773	1
RE (models)	45R2318	1
HU (models)	45R0780	1
CZ (models)	45R0776	1
TR (models)	45R0775	1
GK (models)	45R0772	1
SL (models)	45R2326	1
Japanese (models)	45R0757	1
Simplified Chinese (models)	45R0758	1
Taiwan-TC (models)	45R0768	1
Hong Kong-TC (models)	45R0769	1
Korean (models)	45R0771	1
Multilingual 1 XP-Pro -- EN, NL, FR, GR, IT (models)	45R8246	1
Multilingual 2 XP-Pro -- EN, DK, FI, NO, SV (models)	45R8247	1

9948 Vista Home Basic 32 SP1 Recovery DVDs	FRU#	CRU
English (models)	46R7273	1
Japanese (models)	46R7274	1
Simplified Chinese (models)	46R7275	1
French (models)	46R7276	1
German (models)	46R7277	1
Spanish (models)	46R7278	1
Italian (models)	46R7279	1
Brazilian Portuguese (models)	46R7280	1

9948 Vista Home Basic 32 SP1 Recovery DVDs	FRU#	CRU
Danish (models)	46R7281	1
Swedish (models)	45R9758	1
Finland (models)	45R9759	1
Dutch (models)	45R9760	1
Traditional Chinese (models)	46R7282	1
Hong Kong (models)	46R7283	1
Norwegian (models)	46R7284	1
Korean (models)	45R9764	1
Slovenian (models)	45R9765	1
Greek (models)	45R9766	1
Russian (models)	46R7285	1
Portuguese (models)	45R9768	1
Turkish (models)	45R9769	1
Czech (models)	45R9770	1
Polish (models)	45R9771	1
Russian English (models)	46R7286	1
Arabic Localized (models)	45R9773	1
Hebrew (models)	45R9774	1
Hungarian (models)	45R9775	1
Slovakian (models)	45R9776	1

9948 Vista Business 32 SP1 Recovery DVDs	FRU#	CRU
English (models AAG)	46R7287	1
Japanese (models)	46R7288	1
Simplified Chinese (models)	46R7289	1
French (models AAG)	46R7290	1
German (models AAG)	46R7291	1
Spanish (models AAG)	46R7292	1
Italian (models AAG)	46R7293	1
Brazilian Portuguese (models AAG)	46R7294	1
Danish (models AAG)	46R7295	1
Swedish (models AAG)	45R9786	1
Finland (models AAG)	45R9787	1
Dutch (models AAG)	45R9788	1
Traditional Chinese (models)	46R7296	1
Hong Kong (models)	46R7297	1
Norwegian (models AAG)	46R7298	1
Korean (models)	45R9792	1
Slovenian (models AAG)	45R9793	1

9948 Vista Business 32 SP1 Recovery DVDs	FRU#	CRU
Greek (models AAG)	45R9794	1
Russian (models AAG)	46R7299	1
Portuguese (models AAG)	45R9796	1
Turkish (models AAG)	45R9797	1
Czech (models AAG)	45R9798	1
Polish (models AAG)	45R9799	1
Russian English (models AAG)	46R7300	1
Arabic Localized (models)	45R9801	1
Hebrew (models AAG)	45R9802	1
Romanian (models)	45R9803	1
Hungarian (models AAG)	45R9804	1
Slovakian (models AAG)	45R9805	1
Serbian-Latin (models)	45R9806	1

9948 Vista VHP SP1 Recovery DVDs	FRU#	CRU
English (models)	46R7315	1
Japanese (models)	46R7316	1
Simplified Chinese (models)	46R7317	1
French (models)	46R7318	1
German (models)	46R7319	1
Spanish (models)	46R7320	1
Italian (models)	46R7321	1
Brazilian Portuguese (models)	46R7322	1
Danish (models)	46R7323	1
Swedish (models)	45R9844	1
Finland (models)	45R9845	1
Dutch (models)	45R9846	1
Traditional Chinese (models)	46R7324	1
Hong Kong (models)	46R7325	1
Norwegian (models)	46R7326	1
Korean (models)	45R9850	1
Slovenian (models)	45R9851	1
Greek (models)	45R9852	1
Russian (models)	46R7327	1
Portuguese (models)	45R9854	1
Turkish (models)	45R9855	1
Czech (models)	45R9856	1
Polish (models)	45R9857	1
Russian English (models)	46R7328	1

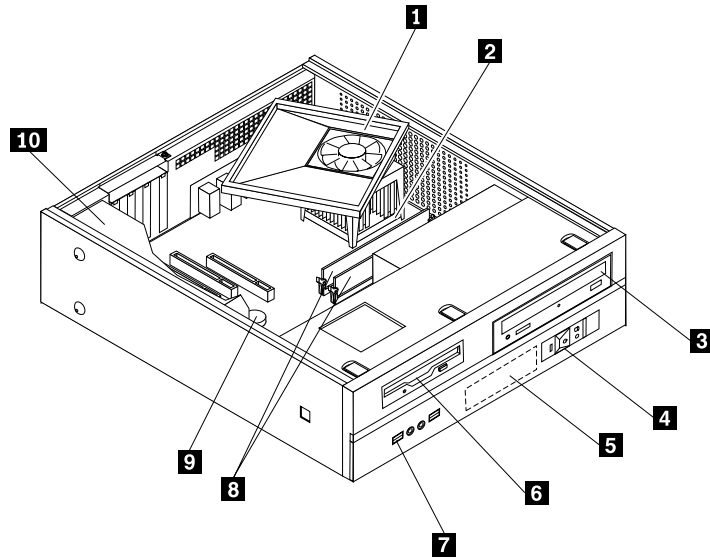
9948 Vista VHP SP1 Recovery DVDs	FRU#	CRU
Arabic Localized (models)	45R9859	1
Hebrew (models)	45R9860	1
Romanian (models)	45R9861	1
Hungarian (models)	45R9862	1
Slovakian (models)	45R9863	1
Serbian-Latin (models)	45R9864	1

9948 Vista Business 64 SP1 Recovery DVDs	FRU#	CRU
English (models)	46R7301	1
Russian English (models)	46R7302	1
French (models)	46R7303	1
German (models)	46R7304	1
Spanish (models)	46R7305	1
Brazilian Portuguese (models)	46R7306	1
Italian (models)	46R7307	1
Japanese (models)	46R7308	1
Norwegian (models)	46R7309	1
Swedish (models)	45R9816	1
Danish (models)	45R9817	1
Dutch (models)	45R9818	1
Czech (models)	46R7310	1
Finnish (models)	46R7311	1
Polish (models)	46R7312	1
Russian (models)	45R9822	1
Turkish (models)	45R9823	1
Hungarian (models)	45R9824	1
Greek (models)	45R9825	1
Simplified Chinese (models)	46R7313	1
Taiwan (models)	45R9827	1
HongKong (models)	45R9828	1
Korea (models)	45R9829	1
Slovenian (models)	46R7314	1
Portuguese (models)	45R9831	1
Arabic Localized (models)	45R9832	1
Hebrew (models)	45R9833	1
Slovakian (models)	45R9834	1

9948 Vista Ultimate 32 SP1 Recovery DVDs	FRU#	CRU
English (models)	46R7329	1
Japanese (models)	46R7330	1
Simplified Chinese (models)	46R7331	1
French (models)	46R7332	1
German (models)	46R7333	1
Spanish (models)	46R7334	1
Italian (models)	46R7335	1
Brazilian Portuguese (models)	46R7336	1
Danish (models)	46R7337	1
Swedish (models)	45R9874	1
Finland (models)	45R9875	1
Dutch (models)	45R9876	1
Traditional Chinese (models)	46R7338	1
Hong Kong (models)	46R7339	1
Norwegian (models)	46R7340	1
Korean (models)	45R9880	1
Slovenian (models)	45R9881	1
Greek (models)	45R9882	1
Russian (models)	46R7341	1
Portuguese (models)	45R9884	1
Turkish (models)	45R9885	1
Czech (models)	45R9886	1
Polish (models)	45R9887	1
Russian English (models)	46R5089	1
Arabic Localized (models)	46R7342	1
Hebrew (models)	45R9890	1
Hungarian (models)	45R9891	1
Slovakian (models)	45R9892	1

9948 Vista Starter 32 Recovery DVDs	FRU#	CRU
English (models)	46R5059	1

Machine Type 9949



Item #	9949 FRUs	FRU#	CRU
1	Heat Sink/RM Kit Intel (all models)	41R6022	N
1	Heat Sink/RM Kit Intel (models)	41N8261	2
2	Microprocessor, Celeron 420 CONROE-L 800/1600MHZ-512K,LGA,EM64T (models)	43C3835	N
2	Microprocessor, Celeron 430 CONROE-L 800/1800MHZ-512K,LGA,EM64T (models)	43C1964	N
2	Microprocessor, Celeron 440 CONROE-L 800/2000MHZ-512K,LGA,EM64T (models)	43C1965	N
2	Microprocessor, Pentium Dual-core E2140 CONROE-L 800/1600MHZ-1M, LGA, EM64T (models)	43C1967	N
2	Microprocessor, Pentium Dual-core E2160 CONROE-L 800/1800MHZ-1M, LGA, EM64T (models)	43C1968	N
2	Microprocessor, Core 2 Duo E4400 L2 CONROE 800/2000MHZ-2M, LGA, EM64T (models)	43C2056	N
2	Microprocessor, Core 2 Duo E6400 B2 CONROE 1066/2130MHZ-2M, LGA, EM64T L2 Value (models)	41X2496	N
2	Microprocessor, Pentium Dual-core E2200 CONROE-L 800/2200MHZ-1M, LGA, EM64T - NPI (models CTO)	45C5349	N
2	Microprocessor, Pentium Dual-core E2180 CONROE-L 800/2000MHZ-1M, LGA, EM64T - NPI (models CTO)	45C1773	N
2	Microprocessor, Pentium Dual-core E2220 CONROE-L 800/2400MHZ-1M, LGA, EM64T - NPI (models CTO)	45C1774	N
2	Microprocessor, Core 2 Duo E4600 M0 CONROE 800/2400MHZ-2M, LGA, EM64T - NPI (models CTO)	45C5282	N
2	Microprocessor, Core 2 Duo E4500 M0 CONROE 800/2200MHZ-2M, LGA, EM64T (models CTO)	43C6305	N
2	Microprocessor, Core 2 Duo E6850 G0 CONROE 1333/3000MHZ-4M, LGA, EM64T (models CTO)	43C1694	N

Item #	9949 FRUs	FRU#	CRU
2	Microprocessor, Core 2 Duo E6750 G0 CONROE 1333/2660MHZ-4M, LGA, EM64T (models CTO)	43C1693	N
2	Microprocessor, Core 2 Duo E6550 G0 CONROE 1333/2330MHZ-4M, LGA, EM64T (models CTO)	43C3833	N
2	Microprocessor, Core 2 Quad G-0 Q6700 KENTSFIELD 1066/2660MHZ-8M (models CTO)	43C6309	N
2	Microprocessor, Core 2 Quad G-0 Q6600 KENTSFIELD 1066/2400MHZ-8M (models CTO)	43C1695	N
2	Microprocessor, Core 2 Duo E8500 WOLFDALÉ 1333/3160MHZ-6M (models CTO)	45C7735	N
2	Microprocessor, Core 2 Duo E8400 WOLFDALÉ 1333/3000MHZ-6M (models CTO)	45C7736	N
2	Microprocessor, Core 2 Duo E8200 WOLFDALÉ 1333/2660MHZ-6M (models CTO)	45C7738	N
2	Microprocessor, Core 2 Duo E8190 WOLFDALÉ 1333/2660MHZ-6M - NON VT/Vpro (models CTO)	45R2568	N
2	Microprocessor, Core 2 Quad Q9550 C-1 YORKFIELD 2.83GHz 1333MHZ FSB 12M L2 (models CTO)	45C7739	N
2	Microprocessor, Core 2 Quad Q9450 C-1 YORKFIELD 2.66GHz 1333MHZ FSB 12M L2 (models CTO)	45C7740	N
2	Microprocessor, Core 2 Quad Q9300 M-1 YORKFIELD 2.5GHz 1333MHZ FSB 6M L2 (models CTO)	45C7741	N
2	Microprocessor, Core 2 Duo E8300 C-0 WOLFDALÉ 2.83GHz 1333MHZ FSB 6M L2 (models CTO)	45C7737	N
2	Microprocessor, Core 2 Duo E7300 M-0 2.66GHz 1066MHz FSB 3M L2 (models CTO)	46R1622	N
2	Microprocessor, Core 2 Duo E7200 M-0 2.53GHz 1066MHz FSB 3M L2 (models CTO)	45R8337	N
2	Microprocessor, Core 2 Duo E4700 G-0 2.6GHz 800MHz FSB 2M L2 (models CTO)	45R5786	N
2	Microprocessor, Celeron Dual Core E1400 M-0 2.0GHz 800MHz FSB 512K L2 (models CTO)	45R8339	N
2	Microprocessor, Celeron Dual Core E1200 M-0 1.6GHz 800MHz FSB 512K L2, LGA, EM64T - NPI (models CTO)	45R8341	N
2	Microprocessor, Core 2 Duo E8600 E-0 WOLFDALÉ 3.33GHz 1333MHZ FSB 6M L2 (models CTO)	46R8640	N
3	DVD-ROM Drive - 16x/48x - SATA Vista & non-Vista (models AAV)	41N3325	2
3	DVD-ROM/CD-RW Combo Drive - 48x/32x/48x/16x - SATA Vista & non-Vista (models)	42Y9353	2
3	DVD-RW/CD-RW Rambo 8 - SATA Vista & non-Vista (models)	43C1042	2
4	Front Power/LED PC, bracket, and cable (all models)	41N8213	2
5	Hard disk drive, SATA 80GB 7200RPM/3Gb/8MB (models)	40Y9034	2
5	Hard disk drive, SATA 160GB 7200RPM/3Gb/8MB (models AAV)	40Y9035	2
5	Hard disk drive, SATA 320GB 7200rpm SATA/8MB (models)	87H4891	2
6	Diskette drive, 3,5", 1.44MB, 2-mode, (w/bezel) (models)	40Y9105	2
6	Diskette drive, 3,5", 1.44MB, 2-mode, (w/bezel) (models)	40Y9107	2
7	Front USB/Audio with bracket (all models)	41N8212	2
8	Memory module, 512 MB PC-5300 (667MHz) DDR2 SDRAM (models AAV)	41X4255	2
8	Memory module, 1 GB PC-5300 (667MHz) DDR2 SDRAM (models)	41X4256	2

Item #	9949 FRUs	FRU#	CRU
8	Memory module, 2 GB PC-5300 (667MHz) DDR2 SDRAM (models)	41X4257	2
8	Memory module, 512 MB PC2-6400 (800MHz) DDR2 SDRAM (models)	41X1079	2
8	Memory module, 1GB PC-6400 (800MHz) DDR2 SDRAM (models)	41X1080	2
8	Memory module, 2GB PC-6400 (800MHz) DDR2 SDRAM (models)	41X1081	2
9	System board, Intel G31 mATX GA Level (models AAV)	53Y3282	N
10	Power supply, 220 Watt Power Supply - Robust; for all countries except for JP (ROCKYS) (models AAV)	41A9689	N
10	Power supply, 220 Watt Power Supply - Japan; only for JP (ROCKYS) (models)	41A9697	N
10	Power supply, 220W 80% Power supply-for all countries (ROCKYS) (models AAV)	41A9670	N
10	Power supply, 280W TFX 280W PS ,Active PFC, for RockyS-for all countries (ROCKYS) (models AAV)	41A9705	N

The FRUs listed in the following tables are not illustrated.

9949 FRUs	FRU#	CRU
Planer shield, Atx 946,G31 with usb number (all models)	41R6384	N
Cabel, SATA 250mm (RoHS) (all models)	43N9012	2
Shield, EMC , Blank 5.25 (all models)	41N8271	2
Shield, EMC , Blank diskette drive (all models)	41N8273	2
Cover (all models)	41N8204	2
Mechanical shell kit (all models)	41R6387	N
Bezel kit, without IBM logo (all models)	41R6238	2
Miscellaneous hardware kit (all models)	41N8209	2
Hard disk drive bracket assembly (plastic and grommets) (all models)	41N8210	2
Hard disk drive fan and bracket asm (all models)	41R6325	2
Speaker cable assembly, 600 mm cable length (all models)	41N8217	2
Fan duct assembly (all models)	41R4808	2
Rear USB 2Ports II LP (R), low profile I/O, 200mm, Rohs (all models)	42Y8006	2
Retention module assembly, Intel (all models)	41A7139	N
Intrusion switch assembly (all models)	41R6208	2
Foot stand (all models)	41R4813	1
Cable, diskette drive (all models)	41A7147	2
Cable, serial ATA, 250 mm (all models)	41A7145	2
Planer shield, Atx 946, with usb number (all modes)	41R6378	N
Rear Com2 cable , Rohs (all models)	41R6198	2
Rear Com2 cable II LP(R), low profile I/O, 250mm, Rohs (all models)	42Y8008	2
Fru,Tamdhu chassis primary HDD cage (all models)	45K6272	1
Fru,Tamdhu ruber foot(For acoustic improvement) (all models)	45K6278	2
BATTERY 3V-LITHIUM (TOWER,ROCKYS,LX-607) (models AAV)	45C1566	N

9949 Keyboard (Lenovo USB Preferred -- without hub)	FRU#	CRU Tier
US English (models)	41A5039	1
Arabic (models)	41A5040	1
Arabic/French (models)	41A5041	1
Belgian/French (models)	41A5042	1
Belgian/English (models)	41A5043	1
Brazilian Portuguese (models)	41A5044	1
Bulgarian (models)	41A5045	1
Chinese/US (models)	41A5046	1
Czech (models)	41A5047	1
Danish (models)	41A5048	1
Dutch (models)	41A5049	1
French (models)	41A5050	1
French Canadian (models)	41A5051	1
French Canadian (models)	41A5052	1
German (models)	41A5053	1
Greek (models)	41A5054	1
Greek/US (models)	41A5080	1
Hebrew (models)	41A5055	1
Hungarian (models)	41A5056	1
Iceland (models)	41A5057	1
Italian (models)	41A5058	1
Japanese (models)	41A5059	1
Korean (models)	41A5060	1
LA Spanish (models)	41A5061	1
Norwegian (models)	41A5062	1
Polish (models)	41A5063	1
Portuguese (models)	41A5064	1
Romanian (models)	41A5065	1
Russian/Cyrillic (models)	41A5066	1
Serbian/Cyrillic (models)	41A5067	1
Slovak (models)	41A5068	1
Spanish (models)	41A5069	1
Swedish/Finnish (models)	41A5070	1
Swiss (models)	41A5071	1
Thailand (models)	41A5072	1
Turkish (models)	41A5073	1
Turkish (models)	41A5074	1
UK English (models)	41A5075	1

9949 Keyboard (Lenovo USB Preferred -- without hub)	FRU#	CRU Tier
US Euro (models)	41A5076	1
Slovenian (models)	41A5077	1

9949 Keyboard (Lenovo USB Preferred -- without hub)	FRU#	CRU Tier
US English (models)	41A5289	1
Arabic (models)	41A5290	1
Arabic/French (models)	41A5291	1
Belgian/French (models)	41A5292	1
Belgian/UK (models)	41A5293	1
Brazilian Portuguese (models)	41A5294	1
Bulgarian (models)	41A5295	1
Chinese/US (models AAV)	41A5296	1
Czech(ABB) (models)	41A5297	1
Danish (models)	41A5298	1
Dutch (models)	41A5299	1
French (models)	41A5300	1
French Canadian (models)	41A5301	1
French Canadian (models)	41A5302	1
German (models)	41A5303	1
Greek (models)	41A5304	1
Greek/US (models)	41A5305	1
Hebrew (models)	41A5306	1
Hungarian (models)	41A5307	1
Iceland (models)	41A5308	1
Italian (models)	41A5309	1
Japanese (models)	41A5310	1
Korean (models)	41A5311	1
LA Spanish (models)	41A5312	1
Norwegian (models)	41A5313	1
Polish (models)	41A5314	1
Portuguese (models)	41A5315	1
Romanian (models)	41A5317	1
Russian/Cyrillic (models)	41A5318	1
Serbian/Cyrillic (models)	41A5319	1
Slovak (models)	41A5320	1
Spanish (models)	41A5321	1
Swedish/Finnish (models)	41A5322	1
Swiss French/German (models)	41A5323	1

9949 Keyboard (Lenovo USB Preferred -- without hub)	FRU#	CRU Tier
Thailand (models)	41A5324	1
Turkish (models)	41A5325	1
Turkish (models)	41A5326	1
UK English (models)	41A5327	1
US Euro (models)	41A5328	1
Slovenian (models)	41A5329	1

9949 Keyboard (Lenovo Enhanced Perf, USB Preferred -- with hub)	FRU#	CRU Tier
US English (models)	41A4961	1
Arabic (models)	41A4962	1
Arabic/French (models)	41A4963	1
Belgian/French (models)	41A4964	1
Belgian/UK (models)	41A4965	1
Brazilian Portuguese (models)	41A4966	1
Bulgarian (models)	41A4967	1
Chinese/US (models)	41A4968	1
Czech(ABB) (models)	41A4969	1
Danish (models)	41A4970	1
Dutch (models)	41A4971	1
French (models)	41A4972	1
French Canadian (models)	41A4973	1
French Canadian (models)	41A4974	1
German (models)	41A4975	1
Greek (models)	41A4976	1
Greek/US (models)	41A5078	1
Hebrew (models)	41A4977	1
Hungarian (models)	41A4978	1
Iceland (models)	41A4979	1
Italian (models)	41A4980	1
Japanese (models)	41A4981	1
Korean (models)	41A4982	1
LA Spanish (models)	41A4983	1
Norwegian (models)	41A4984	1
Polish (models)	41A4985	1
Portuguese (models)	41A4986	1
Romanian (models)	41A4987	1
Russian/Cyrillic (models)	41A4988	1
Serbian/Cyrillic (models)	41A4989	1

9949 Keyboard (Lenovo Enhanced Perf, USB Preferred -- with hub)	FRU#	CRU Tier
Slovak (models)	41A4990	1
Spanish (models)	41A4991	1
Swedish/Finnish (models)	41A4992	1
Swiss French/German (models)	41A4993	1
Thailand (models)	41A4994	1
Turkish (models)	41A4995	1
Turkish (models)	41A4996	1
UK English (models)	41A4997	1
US Euro (models)	41A4998	1
Slovenian (models)	41A4999	1

9949 Keyboard (Lenovo Fingerprint Reader USB)	FRU#	CRU Tier
US English (models)	41A5248	1
Arabic (models)	41A5249	1
Arabic/French (models)	41A5250	1
Belgian/French (models)	41A5251	1
Belgian/UK (models)	41A5252	1
Brazilian Portuguese (models)	41A5253	1
Bulgarian (models)	41A5254	1
Chinese/US (models)	41A5255	1
Czech(ABB) (models)	41A5256	1
Danish (models)	41A5257	1
Dutch (models)	41A5258	1
French (models)	41A5259	1
French Canadian (models)	41A5260	1
French Canadian (models)	41A5261	1
German (models)	41A5262	1
Greek (models)	41A5263	1
Greek/US (models)	41A5264	1
Hebrew (models)	41A5265	1
Hungarian (models)	41A5266	1
Iceland (models)	41A5267	1
Italian (models)	41A5268	1
Japanese (models)	41A5269	1
Korean (models)	41A5270	1
LA Spanish (models)	41A5271	1
Norwegian (models)	41A5272	1
Polish (models)	41A5273	1

9949 Keyboard (Lenovo Fingerprint Reader USB)	FRU#	CRU Tier
Portuguese (models)	41A5274	1
Romanian (models)	41A5276	1
Russian/Cyrillic (models)	41A5277	1
Serbian/Cyrillic (models)	41A5278	1
Slovak (models)	41A5279	1
Spanish (models)	41A5280	1
Swedish/Finnish (models)	41A5281	1
Swiss French/German (models)	41A5282	1
Thailand (models)	41A5283	1
Turkish (models)	41A5284	1
Turkish (models)	41A5285	1
UK English (models)	41A5286	1
US Euro (models)	41A5287	1
Slovenian (models)	41A5288	1

9949 mice	FRU#	CRU
Optical Wheel Mouse (400DPI, USB) (all models)	41U3013	1
Optical Wheel Mouse (400DPI, USB) (all models)	41U3030	1
PS/2 2 Button Ball Mouse (models)	41R0018	1

9949 Adapters and miscellaneous FRUs	FRU#	CRU
Internal USB Memory Card Reader floppy bay (models)	41R3378	2
Internal USB 20 in 1 Memory CardReader floppy bay (models)	45R8139	2
USB Memory Key (models)	43R2296	2
Internal USB Memory Card Reader floppy bay (models)	41R3376	2
IEEE 1394 Firewire Adapter SFF (models)	41D2781	2
Soft Modem V.90/V.44 SFF (models CTO)	46R4220	2
USB Memory Key - 1G RoW (models)	41U4978	1
ATI HD 2400PRO 128MB 64BIT DMS59 LP (models)	43C0259	2
ATI HD 2400XT 256MB 64BIT DMS59 LP (models)	43C0260	2
ADD2 DVI Adapter,LP (HDCP) (models)	43C0258	2
DVI-I connection Adapter Full Height (models)	39J9334	2
DVI-I connection Adapter Low Profile (models)	39J9334	2
Speaker Power brick - US, Canada, LA low voltage,ASEAN (models)	89P8571	1
Speaker Power brick - LA high voltage (non-APU) (models)	89P8575	1
Speaker Power brick - China, Thailand (models)	89P8581	1
Speaker Power brick - Japan (models)	89P8577	1
Speaker Power brick - Brazil (models)	89P8583	1

9949 Adapters and miscellaneous FRUs	FRU#	CRU
Speaker Power brick - Argentina (models)	41A4901	1
Speaker Power brick - ANZ (models)	89P8579	1
Speaker Brick - Korea (models)	41A4903	1
Speaker Brick - Hong Kong, EMEA (models)	89P8573	1
Speaker Brick - Taiwan (models AAV)	41A4905	1
Speaker Power brick - India, South Africa (models)	89P8585	1
Dongle DMS Dule DMS-59 to dual VGA Cable (models)	42Y8181	2
Dongle DMS Dule DMS-59 to dual DVI Cable (models)	41X6398	2

9949 Line Cords	FRU#	CRU
Line cord - US (models)	41R3184	1
Line cord - US (models)	41R3185	1
Line cord - China (models)	41R3256	1
Line cord - China (models)	41R3257	1
Line cord - Brazil (models)	41R3270	1
Line cord - Brazil (models)	41R3271	1
Line cord - LA High Volt APU (models)	41R3176	1
Line Cord - LA High Volt APU (models)	41R3177	1
Line Cord - Korea (models)	41R3260	1
Line Cord - Korea (models)	41R3261	1
Line Cord - UK, Ireland, Singapore, Malaysia, Brunei (models)	41R3224	1
Line Cord - UK, Ireland, Singapore, Malaysia, Brunei (models)	41R3225	1
Line Cord - Taiwan (models AAV)	41R3278	1
Line Cord - Taiwan (models AAV)	41R3279	1
Line Cord - Italy (models)	41R3232	1
Line Cord - Italy (models)	41R3233	1
Line Cord - Indonesia, Laos, Cambodia, and Vietnam (models)	41R3208	1
Line Cord - Indonesia, Laos, Cambodia, and Vietnam (models)	41R3209	1
Line Cord - Denmark (models)	41R3212	1
Line Cord - Denmark (models)	41R3213	1
Line Cord - Switzerland (models)	41R3228	1
Line Cord - Switzerland (models)	41R3229	1
Line Cord - Israel (models)	41R3236	1
Line Cord - Israel (models)	41R3237	1
Line Cord - South Africa (models)	41R3220	1
Line Cord - South Africa (models)	41R3221	1
Line Cord - India (models)	41R3341	1
Line Cord - India (models)	41R3175	1
Line Cord - Japan (models)	41R3248	1

9949 Line Cords	FRU#	CRU
Line Cord - Japan (models)	41R3249	1
Line Cord - ANZ (models)	41R3196	1
Line Cord - ANZ (models)	41R3197	1
Line Cord - Hong Kong (models)	41R3224	1
Line Cord - Hong Kong (models)	41R3225	1

9949 Windows XP Home Recovery CDs	FRU#	CRU
US/UK/AP/TH (models)	TBD	1
FR/CF (models)	TBD	1
GR (models)	TBD	1
IT (models)	TBD	1
BR (models)	TBD	1
SP/LA (models)	TBD	1
DK (models)	TBD	1
NL (models)	TBD	1
AE (models)	TBD	1
SV (models)	TBD	1
HE (models)	TBD	1
FI (models)	TBD	1
NO (models)	TBD	1
PL (models)	TBD	1
PO (models)	TBD	1
RU (models)	TBD	1
RE (models)	TBD	1
HU (models)	TBD	1
CZ (models)	TBD	1
TR (models)	TBD	1
GK (models)	TBD	1
Japanese (models)	TBD	1
Simplified Chinese (models)	TBD	1
Taiwan-TC (models)	TBD	1
Hong Kong-TC (models)	TBD	1
Korea (models)	TBD	1

9949 Windows XP Pro Recovery CDs	FRU#	CRU
US/UK/AP/TH (models)	45R0756	1
FR/CF (models)	45R0759	1
GR (models)	45R0760	1
IT (models)	45R0762	1

9949 Windows XP Pro Recovery CDs	FRU#	CRU
BR (models)	45R0763	1
SP/LA (models)	45R0761	1
DK (models)	45R0764	1
NL (models)	45R0767	1
AE (models)	45R2342	1
SV (Swedish) (models)	45R0765	1
HE (models)	45R2334	1
FI (models)	45R0766	1
NO (models)	45R0770	1
PL (models)	45R0777	1
PO (models)	45R0774	1
RU (models)	45R0773	1
RE (models)	45R2318	1
HU (models)	45R0780	1
CZ (models)	45R0776	1
TR (models)	45R0775	1
GK (models)	45R0772	1
SL (models)	45R2326	1
Japanese (models)	45R0757	1
Simplified Chinese (models)	45R0758	1
Taiwan-TC (models)	45R0768	1
Hong Kong-TC (models)	45R0769	1
Korean (models)	45R0771	1
Multilingual 1 XP-Pro -- EN, NL, FR, GR, IT (models)	45R8246	1
Multilingual 2 XP-Pro -- EN, DK, FI, NO, SV (models)	45R8247	1

9949 Vista Home Basic 32 SP1 Recovery DVDs	FRU#	CRU
English (models)	46R7273	1
Japanese (models)	46R7274	1
Simplified Chinese (models)	46R7275	1
French (models)	46R7276	1
German (models)	46R7277	1
Spanish (models)	46R7278	1
Italian (models)	46R7279	1
Brazilian Portuguese (models)	46R7280	1
Danish (models)	46R7281	1
Swedish (models)	45R9758	1
Finland (models)	45R9759	1
Dutch (models)	45R9760	1

9949 Vista Home Basic 32 SP1 Recovery DVDs	FRU#	CRU
Traditional Chinese (models)	46R7282	1
Hong Kong (models)	46R7283	1
Norwegian (models)	46R7284	1
Korean (models)	45R9764	1
Slovenian (models)	45R9765	1
Greek (models)	45R9766	1
Russian (models)	46R7285	1
Portuguese (models)	45R9768	1
Turkish (models)	45R9769	1
Czech (models)	45R9770	1
Polish (models)	45R9771	1
Russian English (models)	46R7286	1
Arabic Localized (models)	45R9773	1
Hebrew (models)	45R9774	1
Hungarian (models)	45R9775	1
Slovakian (models)	45R9776	1

9949 Vista Business 32 SP1 Recovery DVDs	FRU#	CRU
English (models)	46R7287	1
Japanese (models)	46R7288	1
Simplified Chinese (models)	46R7289	1
French (models)	46R7290	1
German (models)	46R7291	1
Spanish (models)	46R7292	1
Italian (models)	46R7293	1
Brazilian Portuguese (models)	46R7294	1
Danish (models)	46R7295	1
Swedish (models)	45R9786	1
Finland (models)	45R9787	1
Dutch (models)	45R9788	1
Traditional Chinese (models AAV)	46R7296	1
Hong Kong (models AAV)	46R7297	1
Norwegian (models)	46R7298	1
Korean (models)	45R9792	1
Slovenian (models)	45R9793	1
Greek (models)	45R9794	1
Russian (models)	46R7299	1
Portuguese (models)	45R9796	1
Turkish (models)	45R9797	1

9949 Vista Business 32 SP1 Recovery DVDs	FRU#	CRU
Czech (models)	45R9798	1
Polish (models)	45R9799	1
Russian English (models)	46R7300	1
Arabic Localized (models)	45R9801	1
Hebrew (models)	45R9802	1
Romanian (models)	45R9803	1
Hungarian (models)	45R9804	1
Slovakian (models)	45R9805	1
Serbian-Latin (models)	45R9806	1

9949 Vista VHP SP1 Recovery DVDs	FRU#	CRU
English (models)	46R7315	1
Japanese (models)	46R7316	1
Simplified Chinese (models)	46R7317	1
French (models)	46R7318	1
German (models)	46R7319	1
Spanish (models)	46R7320	1
Italian (models)	46R7321	1
Brazilian Portuguese (models)	46R7322	1
Danish (models)	46R7323	1
Swedish (models)	45R9844	1
Finland (models)	45R9845	1
Dutch (models)	45R9846	1
Traditional Chinese (models)	46R7324	1
Hong Kong (models)	46R7325	1
Norwegian (models)	46R7326	1
Korean (models)	45R9850	1
Slovenian (models)	45R9851	1
Greek (models)	45R9852	1
Russian (models)	46R7327	1
Portuguese (models)	45R9854	1
Turkish (models)	45R9855	1
Czech (models)	45R9856	1
Polish (models)	45R9857	1
Russian English (models)	46R7328	1
Arabic Localized (models)	45R9859	1
Hebrew (models)	45R9860	1
Romanian (models)	45R9861	1
Hungarian (models)	45R9862	1

9949 Vista VHP SP1 Recovery DVDs	FRU#	CRU
Slovakian (models)	45R9863	1
Serbian-Latin (models)	45R9864	1

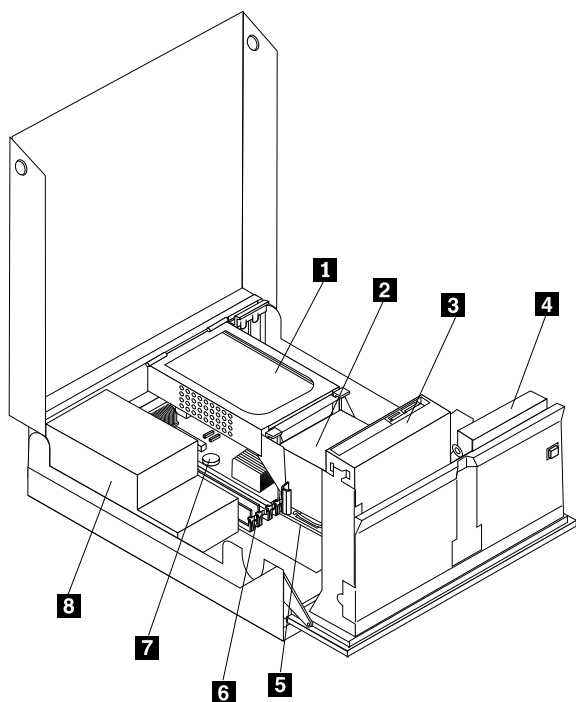
9949 Vista Business 64 SP1 Recovery DVDs	FRU#	CRU
English (models)	46R7301	1
Russian English (models)	46R7302	1
French (models)	46R7303	1
German (models)	46R7304	1
Spanish (models)	46R7305	1
Brazilian Portuguese (models)	46R7306	1
Italian (models)	46R7307	1
Japanese (models)	46R7308	1
Norwegian (models)	46R7309	1
Swedish (models)	45R9816	1
Danish (models)	45R9817	1
Dutch (models)	45R9818	1
Czech (models)	46R7310	1
Finnish (models)	46R7311	1
Polish (models)	46R7312	1
Russian (models)	45R9822	1
Turkish (models)	45R9823	1
Hungarian (models)	45R9824	1
Greek (models)	45R9825	1
Simplified Chinese (models)	46R7313	1
Taiwan (models)	45R9827	1
HongKong (models)	45R9828	1
Korea (models)	45R9829	1
Slovenian (models)	46R7314	1
Portuguese (models)	45R9831	1
Arabic Localized (models)	45R9832	1
Hebrew (models)	45R9833	1
Slovakian (models)	45R9834	1

9949 Vista Ultimate 32 SP1 Recovery DVDs	FRU#	CRU
English (models)	46R7329	1
Japanese (models)	46R7330	1
Simplified Chinese (models)	46R7331	1
French (models)	46R7332	1
German (models)	46R7333	1

9949 Vista Ultimate 32 SP1 Recovery DVDs	FRU#	CRU
Spanish (models)	46R7334	1
Italian (models)	46R7335	1
Brazilian Portuguese (models)	46R7336	1
Danish (models)	46R7337	1
Swedish (models)	45R9874	1
Finland (models)	45R9875	1
Dutch (models)	45R9876	1
Traditional Chinese (models)	46R7338	1
Hong Kong (models)	46R7339	1
Norwegian (models)	46R7340	1
Korean (models)	45R9880	1
Slovenian (models)	45R9881	1
Greek (models)	45R9882	1
Russian (models)	46R7341	1
Portuguese (models)	45R9884	1
Turkish (models)	45R9885	1
Czech (models)	45R9886	1
Polish (models)	45R9887	1
Russian English (models)	46R5089	1
Arabic Localized (models)	46R7342	1
Hebrew (models)	45R9890	1
Hungarian (models)	45R9891	1
Slovakian (models)	45R9892	1

9949 Vista Starter 32 Recovery DVDs	FRU#	CRU
English (models)	46R5059	1

Machine Type 9952



Item #	9952 FRUs	FRU#	CRU
1	Hard disk drive,SATA 80GB 7200RPM/3Gb/8MB (models)	40Y9034	2
1	Hard disk drive,SATA 160GB 7200RPM/3Gb/8MB (models AAV)	40Y9035	2
1	Hard disk drive,SATA 320GB 7200rpm SATA/8MB (models)	87H4891	2
2	Thermal kit (all models)	41R6039	2
3	Optical drive,DVD-ROM Drive - 16x/48x - SATA Vista & non-Vista (models AAV)	41N3325	2
3	Optical drive,DVD-ROM/CD-RW Combo Drive - 48x/32x/48x/16x - SATA Vista & non-Vista (models)	42Y9353	2
3	Optical drive,DVD-RW/CD-RW Rambo 8 - SATA Vista & non-Vista (models)	43C1042	2
5	Microprocessor, Celeron 420 CONROE-L 800/1600MHZ-512K,LGA,EM64T(models)	43C3835	N
5	Microprocessor, Celeron 430 CONROE-L 800/1800MHZ-512K,LGA,EM64T(models)	43C1964	N
5	Microprocessor, Celeron 440 CONROE-L 800/2000MHZ-512K,LGA,EM64T(models)	43C1965	N
5	Microprocessor, Pentium Dual-core E2140 CONROE-L 800/1600MHZ-1M, LGA, EM64T (models)	43C1967	N
5	Microprocessor, Pentium Dual-core E2160 CONROE-L 800/1800MHZ-1M, LGA, EM64T (models)	43C1968	N
5	Microprocessor, Core 2 Duo E4400 L2 CONROE 800/2000MHZ-2M, LGA, EM64T(models)	43C2056	N
5	Microprocessor,Core 2 Duo E6400 B2 CONROE 1066/2130MHZ-2M, LGA, EM64T L2 Value (models)	41X2496	N
5	Microprocessor, Pentium Dual-core E2200 CONROE-L 800/2200MHZ-1M, LGA, EM64T - NPI (models CTO)	45C5349	N

Item #	9952 FRUs	FRU#	CRU
5	Microprocessor, Pentium Dual-core E2180 CONROE-L 800/2000MHZ-1M, LGA, EM64T - NPI (models CTO)	45C1773	N
5	Microprocessor, Pentium Dual-core E2220 CONROE-L 800/2400MHZ-1M, LGA, EM64T - NPI (models CTO)	45C1774	N
5	Microprocessor, Core 2 Duo E4600 M0 CONROE 800/2400MHZ-2M, LGA, EM64T - NPI (models CTO)	45C5282	N
5	Microprocessor, Core 2 Duo E4500 M0 CONROE 800/2200MHZ-2M, LGA, EM64T (models CTO)	43C6305	N
5	Microprocessor, Core 2 Duo E6850 G0 CONROE 1333/3000MHZ-4M, LGA, EM64T (models CTO)	43C1694	N
5	Microprocessor, Core 2 Duo E6750 G0 CONROE 1333/2660MHZ-4M, LGA, EM64T (models CTO)	43C1693	N
5	Microprocessor, Core 2 Duo E6550 G0 CONROE 1333/2330MHZ-4M, LGA, EM64T (models CTO)	43C3833	N
5	Microprocessor, Core 2 Quad G-0 Q6700 KENTSFIELD 1066/2660MHZ-8M (models CTO)	43C6309	N
5	Microprocessor, Core 2 Quad G-0 Q6600 KENTSFIELD 1066/2400MHZ-8M (models CTO)	43C1695	N
5	Microprocessor, Core 2 Duo E8500 WOLFDAL E 1333/3160MHZ-6M (models CTO)	45C7735	N
5	Microprocessor, Core 2 Duo E8400 WOLFDAL E 1333/3000MHZ-6M (models CTO)	45C7736	N
5	Microprocessor, Core 2 Duo E8200 WOLFDAL E 1333/2660MHZ-6M (models CTO)	45C7738	N
5	Microprocessor, Core 2 Duo E8190 WOLFDAL E 1333/2660MHZ-6M - NON VT/Vpro (models CTO)	45R2568	N
5	Microprocessor, Core 2 Quad Q9550 C-1 YORKFIELD 2.83GHz 1333MHZ FSB 12M L2 (models CTO)	45C7739	N
5	Microprocessor, Core 2 Quad Q9450 C-1 YORKFIELD 2.66GHz 1333MHZ FSB 12M L2 (models CTO)	45C7740	N
5	Microprocessor, Core 2 Quad Q9300 M-1 YORKFIELD 2.5GHz 1333MHZ FSB 6M L2 (models CTO)	45C7741	N
5	Microprocessor, Core 2 Duo E8300 C-0 WOLFDAL E 2.83GHz 1333MHZ FSB 6M L2 (models CTO)	45C7737	N
5	Microprocessor, Core 2 Duo E7300 M-0 2.66GHz 1066MHz FSB 3M L2 (models CTO)	46R1622	N
5	Microprocessor, Core 2 Duo E7200 M-0 2.53GHz 1066MHz FSB 3M L2 (models CTO)	45R8337	N
5	Microprocessor, Core 2 Duo E4700 G-0 2.6GHz 800MHz FSB 2M L2 (models CTO)	45R5786	N
5	Microprocessor, Celeron Dual Core E1400 M-0 2.0GHz 800MHz FSB 512K L2 (models CTO)	45R8339	N
5	Microprocessor, Celeron Dual Core E1200 M-0 1.6GHz 800MHz FSB 512K L2, LGA, EM64T - NPI (models CTO)	45R8341	N
5	Microprocessor, Core 2 Duo E8600 E-0 WOLFDAL E 3.33GHz 1333MHZ FSB 6M L2 (models CTO)	46R8640	N
5	Microprocessor, Pentium Dual Core E5200 M-0 WOLFDAL E 2.5GHz 800MHZ FSB 2M L2 (models CTO)	46R9512	N
6	Memory module,512 MB PC-5300 (667MHz) DDR2 SDRAM (models)	41X4255	2
6	Memory module,1 GB PC-5300 (667MHz) DDR2 SDRAM (models AAV)	41X4256	2

Item #	9952 FRUs	FRU#	CRU
6	Memory module,2 GB PC-5300 (667MHz) DDR2 SDRAM (models)	41X4257	2
6	Memory module,512 MB PC2-6400 (800MHz) DDR2 SDRAM (models)	41X1079	2
6	Memory module,1GB PC-6400 (800MHz) DDR2 SDRAM (models)	41X1080	2
6	Memory module,2GB PC-6400 (800MHz) DDR2 SDRAM (models)	41X1081	2
7	System board, Intel G31 nano-BTX GA Level (models A1V)	53Y5125	N
8	Power supply,280W Active PFC power supply for 10L---all countries (models AAV)	41A9701	2
8	Power supply,280W 80+ power supply for 10L---all countries (models AAV)	41A9717	2

The FRUs listed in the following tables are not illustrated.

9952 FRUs	FRU#	CRU
Power switch/LED cable assembly (all models)	41R3391	2
USB cable assembly (all models)	41R3392	2
SATA cable, 120mm (all models)	41R3328	2
SATA cable, 700mm (all models)	39K5026	2
Speaker/Cable assembly (all models)	39K5012	2
Temperature Sense cable (460 mm) (all models)	41R2509	2
System Fan (all models)	41R6042	2
System Fan assembly (all models)	41R6249	2
Cpu Support Module (all models)	41R6252	N
HDD Tray assembly (all models)	41R6253	2
Internal Plastic (all models)	41R6254	2
Bezel, Plastic (all models)	41R6255	2
Front rotating cage assembly (all models)	41R6256	N
Top cover assembly (all models)	41R6257	2
L1-C2 intrusion switch (all models)	39K5022	2
Fan for SFF (all models)	41R6042	2
Rell IO shield BTX atlantic (all models)	41R6381	N
Temperature Sense cable (460 mm) (all models)	41R2509	2
Intel 95W/65W heatsink Kit (all models)	41R6039	2
Chassis atlantic (all models)	41R6275	N
10L FRONT I/O CABLE (models)	43N9015	2
Cabel-SATA 700mm (RoHS) (models)	43N9011	2
Universal Adapter Bracket 5.25 to 3.5 (models)	43N9361	2
ODD mounting kit (models)	43N9362	2
Cardreader Bezel Kit (models)	43N9363	2
FDD Retainer, 607AT, SFF (LX-607)	43N9681	2
BATTERY 3V-LITHIUM (TOWER,ROCKYS,LX-607) (models A1V)	45C1566	N
Vertical Stand, Tampa/607CT (all models)	43N9644	N

9952 FRUs	FRU#	CRU
HDD bracket ASM (all models)	43N9690	2
Fru,Tamdhu chassis primary HDD cage (all models)	45K6272	1
Fru,Tamdhu ruber foot(For acoustic improvement) (all models)	45K6278	2
HDD bracket with cover b, for Toyota, Flex (all models)	43N9691	2

9952 Keyboard (Lenovo USB Preferred -- without hub)	FRU#	CRU Tier
US English (models)	41A5039	1
Arabic (models)	41A5040	1
Arabic/French (models)	41A5041	1
Belgian/French (models)	41A5042	1
Belgian/English (models)	41A5043	1
Brazilian Portuguese (models)	41A5044	1
Bulgarian (models)	41A5045	1
Chinese/US (models)	41A5046	1
Czech (models)	41A5047	1
Danish (models)	41A5048	1
Dutch (models)	41A5049	1
French (models)	41A5050	1
French Canadian (models)	41A5051	1
French Canadian (models)	41A5052	1
German (models)	41A5053	1
Greek (models)	41A5054	1
Greek/US (models)	41A5080	1
Hebrew (models)	41A5055	1
Hungarian (models)	41A5056	1
Iceland (models)	41A5057	1
Italian (models)	41A5058	1
Japanese (models)	41A5059	1
Korean (models)	41A5060	1
LA Spanish (models)	41A5061	1
Norwegian (models)	41A5062	1
Polish (models)	41A5063	1
Portuguese (models)	41A5064	1
Romanian (models)	41A5065	1
Russian/Cyrillic (models)	41A5066	1
Serbian/Cyrillic (models)	41A5067	1
Slovak (models)	41A5068	1
Spanish (models)	41A5069	1

9952 Keyboard (Lenovo USB Preferred -- without hub)	FRU#	CRU Tier
Swedish/Finnish (models)	41A5070	1
Swiss (models)	41A5071	1
Thailand (models)	41A5072	1
Turkish (models)	41A5073	1
Turkish (models)	41A5074	1
UK English (models)	41A5075	1
US Euro (models)	41A5076	1
Slovenian (models)	41A5077	1

9952 Keyboard (Lenovo USB Preferred -- without hub)	FRU#	CRU Tier
US English (models)	41A5289	1
Arabic (models)	41A5290	1
Arabic/French (models)	41A5291	1
Belgian French (models)	41A5292	1
Belgium English (models)	41A5293	1
Brazilian Portuguese (models)	41A5294	1
Bulgarian (models)	41A5295	1
Chinese/US (models AAV)	41A5296	1
Czech (ABB) (models)	41A5297	1
Danish (models)	41A5298	1
Dutch (models)	41A5299	1
French (models)	41A5300	1
French Canadian (models)	41A5301	1
French Canadian (models)	41A5302	1
German (models)	41A5303	1
Greek (models)	41A5304	1
Greek/US (models)	41A5305	1
Hebrew (models)	41A5306	1
Hungarian (models)	41A5307	1
Iceland (models)	41A5308	1
Japanese (models)	41A5310	1
Korean (models)	41A5311	1
LA Spanish (models)	41A5312	1
Italian (models)	41A5309	1
Norwegian (models)	41A5313	1
Polish (models)	41A5314	1
Portuguese (models)	41A5315	1
Romanian (models)	41A5317	1

9952 Keyboard (Lenovo USB Preferred -- without hub)	FRU#	CRU Tier
Russian/Cyrillic (models)	41A5318	1
Serbian/Cyrillic (models)	41A5319	1
Slovak (models)	41A5320	1
Spanish (models)	41A5321	1
Swedish/Finnish (models)	41A5322	1
Swiss French/German (models)	41A5323	1
Thailand (models)	41A5324	1
Turkish (models)	41A5325	1
Turkish (models)	41A5326	1
UK English (models)	41A5327	1
US Euro (models)	41A5328	1
Slovenian (models)	41A5329	1

9952 Keyboard (Lenovo Enhanced Perf, USB Preferred -- with hub)	FRU#	CRU Tier
US English (models)	41A4961	1
Arabic (models)	41A4962	1
Arabic/French (models)	41A4963	1
Belgian/French (models)	41A4964	1
Belgium English (models)	41A4965	1
Brazilian Portuguese (models)	41A4966	1
Bulgarian (models)	41A4967	1
Chinese/US (models)	41A4968	1
Czech (ABB) (models)	41A4969	1
Danish (models)	41A4970	1
Dutch (models)	41A4971	1
French (models)	41A4972	1
French Canadian (models)	41A4973	1
French Canadian (models)	41A4974	1
German (models)	41A4975	1
Greek (models)	41A4976	1
Greek/US (models)	41A5078	1
Hebrew (models)	41A4977	1
Hungarian (models)	41A4978	1
Iceland (models)	41A4979	1
Italy (models)	41A4980	1
Japanese (models)	41A4981	1
Korean (models)	41A4982	1
LA Spanish (models)	41A4983	1

9952 Keyboard (Lenovo Enhanced Perf, USB Preferred -- with hub)	FRU#	CRU Tier
Norwegian (models)	41A4984	1
Polish (models)	41A4985	1
Portuguese (models)	41A4986	1
Romanian (models)	41A4987	1
Russian/Cyrillic (models)	41A4988	1
Serbian/Cyrillic (models)	41A4989	1
Slovak (models)	41A4990	1
Spanish (models)	41A4991	1
Swedish/Finnish (models)	41A4992	1
Swiss French/German (models)	41A4993	1
Thailand (models)	41A4994	1
Turkish (models)	41A4995	1
Turkish (models)	41A4996	1
UK English (models)	41A4997	1
US Euro (models)	41A4998	1
Slovenian (models)	41A4999	1

9952 Keyboard (Lenovo Fingerprint Reader USB)	FRU#	CRU Tier
US English (models)	41A5248	1
Arabic (models)	41A5249	1
Arabic/French (models)	41A5250	1
Belgian French (models)	41A5251	1
Belgium English (models)	41A5252	1
Brazilian Portuguese (models)	41A5253	1
Bulgarian (models)	41A5254	1
Chinese/US (models)	41A5255	1
Czech (ABB) (models)	41A5256	1
Danish (models)	41A5257	1
Dutch (models)	41A5258	1
French (models)	41A5259	1
French Canadian (models)	41A5260	1
French Canadian (models)	41A5261	1
German (models)	41A5262	1
Greek (models)	41A5263	1
Greek/US (models)	41A5264	1
Hebrew (models)	41A5265	1
Hungarian (models)	41A5266	1
Iceland (models)	41A5267	1

9952 Keyboard (Lenovo Fingerprint Reader USB)	FRU#	CRU Tier
Italy (models)	41A5268	1
Japanese (models)	41A5269	1
Korean (models)	41A5270	1
LA Spanish (models)	41A5271	1
Norwegian (models)	41A5272	1
Polish (models)	41A5273	1
Portuguese (models)	41A5274	1
Romanian (models)	41A5276	1
Russian/Cyrillic (models)	41A5277	1
Serbian/Cyrillic (models)	41A5278	1
Slovak (models)	41A5279	1
Spanish (models)	41A5280	1
Swedish/Finnish (models)	41A5281	1
Swiss French/German (models)	41A5282	1
Thailand (models)	41A5283	1
Turkish (models)	41A5284	1
Turkish (models)	41A5285	1
UK English (models)	41A5286	1
US Euro (models)	41A5287	1
Slovenian (models)	41A5288	1

9952 mice	FRU#	CRU
Optical Wheel Mouse (400DPI, USB) (models AAV)	41U3013	1
Optical Wheel Mouse (400DPI, USB) (models AAV)	41U3030	1
PS/2 Three Button ball mouse (41R0017) (models)	41R0018	1

9952 Adapters and miscellaneous FRUs	FRU#	CRU
USB Memory Key - 1G RoW (models)	41U4978	1
USB Memory Key (models)	43R2296	2
Internal USB Memory Card Reader floppy bay (models)	41R3378	2
Soft Modem V.90/V.44 SFF (models CTO)	46R4220	2
IEEE 1394 Firewire Adapter SFF (models)	41D2781	2
Internal USB Memory Card Reader Slim (models CTO)	45R1885	1
ATI HD 2400PRO 128MB 64BIT DMS59 LP (models)	43C0259	2
ATI HD 2400XT 256MB 64BIT DMS59 ATX (models)	43C0260	2
ADD2 DVI Adapter,LP (HDCP) (models)	43C0258	2
DVI-I connection Adapter Full Height (models)	39J9334	2
Speaker Power brick - US, Canada, LA low voltage, ASEAN (models)	89P8571	1

9952 Adapters and miscellaneous FRUs	FRU#	CRU
Speaker Power brick - LA high voltage (non-APU) (models)	89P8575	1
Speaker Power brick - China, Thailand (models)	89P8581	1
Speaker Power brick - Japan (models)	89P8577	1
Speaker Power brick - Brazil (models)	89P8583	1
Speaker Power brick - Argentina (models)	41A4901	1
Speaker Power brick - ANZ (models)	89P8579	1
Speaker Brick - Korea (models)	41A4903	1
Speaker Brick - Hong Kong, EMEA (models)	89P8573	1
Speaker Brick - Taiwan (models AAV)	41A4905	1
Speaker Power brick - India, South Africa (models)	89P8585	1
Dongle DMS Dule DMS-59 to dual VGA Cable(models)	42Y8181	2
Dongle DMS Dule DMS-59 to dual DVI Cable (models)	41X6398	2

9952 Line Cords	FRU#	CRU
Line cord - US (models)	41R3184	1
Line cord - US (models)	41R3185	1
Line cord - China (models)	41R3256	1
Line cord - China (models)	41R3257	1
Line cord - Brazil (models)	41R3270	1
Line cord - Brazil (models)	41R3271	1
Line cord - LA High Volt APU (models)	41R3176	1
Line Cord - LA High Volt APU (models)	41R3177	1
Line Cord - Korea (models)	41R3260	1
Line Cord - Korea (models)	41R3261	1
Line Cord - UK, Ireland, Singapore, Malaysia, Brunei (models)	41R3224	1
Line Cord - UK, Ireland, Singapore, Malaysia, Brunei (models)	41R3225	1
Line Cord - Taiwan (models AAV)	41R3278	1
Line Cord - Taiwan (models AAV)	41R3279	1
Line Cord - Italy (models)	41R3232	1
Line Cord - Italy (models)	41R3233	1
Line Cord - Indonesia, Laos, Cambodia, and Vietnam (models)	41R3208	1
Line Cord - Indonesia, Laos, Cambodia, and Vietnam (models)	41R3209	1
Line Cord - Denmark (models)	41R3212	1
Line Cord - Denmark (models)	41R3213	1
Line Cord - Switzerland (models)	41R3228	1
Line Cord - Switzerland (models)	41R3229	1
Line Cord - Israel (models)	41R3236	1
Line Cord - Israel (models)	41R3237	1
Line Cord - South Africa (models)	41R3220	1

9952 Line Cords	FRU#	CRU
Line Cord - South Africa (models)	41R3221	1
Line Cord - India (models)	41R3341	1
Line Cord - India (models)	41R3175	1
Line Cord - Japan (models)	41R3248	1
Line Cord - Japan (models)	41R3249	1
Line Cord - ANZ (models)	41R3196	1
Line Cord - ANZ (models)	41R3197	1
Line Cord - Hong Kong (models)	41R3224	1
Line Cord - Hong Kong (models)	41R3225	1

9952 Windows XP Home Recovery CDs	FRU#	CRU
US/UK/AP/TH (models)	TBD	1
FR/CF (models)	TBD	1
GR (models)	TBD	1
IT (models)	TBD	1
BR (models)	TBD	1
SP/LA (models)	TBD	1
DK (models)	TBD	1
NL (models)	TBD	1
AE (models)	TBD	1
SV (Swedish)(models)	TBD	1
HE (models)	TBD	1
FI (models)	TBD	1
NO (models)	TBD	1
PL (models)	TBD	1
PO (models)	TBD	1
RU (models)	TBD	1
RE (models)	TBD	
HU (models)	TBD	1
CZ (models)	TBD	1
TR (models)	TBD	1
GK (models)	TBD	1
Japanese (models)	TBD	1
Simplified Chinese (models)	TBD	1
Taiwan-TC (models)	TBD	1
Hong Kong-TC (models)	TBD	1
Korean (models)	TBD	1

9952 Windows XP Pro Recovery CDs	FRU#	CRU
US/UK/AP/TH (models)	45R0756	1
FR/CF (models)	45R0759	1
GR (models)	45R0760	1
IT (models)	45R0762	1
BR (models)	45R0763	1
SP/LA (models)	45R0761	1
DK (models)	45R0764	1
NL (models)	45R0767	1
AE (models)	45R2342	1
SV (Swedish) (models)	45R0765	1
HE (models)	45R2334	1
FI (models)	45R0766	1
NO (models)	45R0770	1
PL (models)	45R0777	1
PO (models)	45R0774	1
RU (models)	45R0773	1
RE (models)	45R2318	1
HU (models)	45R0780	1
CZ (models)	45R0776	1
TR (models)	45R0775	1
GK (models)	45R0772	1
SL (models)	45R2326	1
Japanese (models)	45R0757	1
Simplified Chinese (models)	45R0758	1
Taiwan-TC (models)	45R0768	1
Hong Kong-TC (models)	45R0769	1
Korean (models)	45R0771	1
Multilingual 1 XP-Pro -- EN, NL, FR, GR, IT (models)	45R8246	1
Multilingual 2 XP-Pro -- EN, DK, FI, NO, SV (models)	45R8247	1

9952 Vista Home Basic 32 SP1 Recovery DVDs	FRU#	CRU
English (models)	46R7273	1
Japanese (models)	46R7274	1
Simplified Chinese (models)	46R7275	1
French (models)	46R7276	1
German (models)	46R7277	1
Spanish (models)	46R7278	1
Italian (models)	46R7279	1
Brazilian Portuguese (models)	46R7280	1

9952 Vista Home Basic 32 SP1 Recovery DVDs	FRU#	CRU
Danish (models)	46R7281	1
Swedish (models)	45R9758	1
Finland (models)	45R9759	1
Dutch (models)	45R9760	1
Traditional Chinese (models)	46R7282	1
Hong Kong (models)	46R7283	1
Norwegian (models)	46R7284	1
Korean (models)	45R9764	1
Slovenian (models)	45R9765	1
Greek (models)	45R9766	1
Russian (models)	46R7285	1
Portuguese (models)	45R9768	1
Turkish (models)	45R9769	1
Czech (models)	45R9770	1
Polish (models)	45R9771	1
Russian English (models)	46R7286	1
Arabic Localized (models)	45R9773	1
Hebrew (models)	45R9774	1
Hungarian (models)	45R9775	1
Slovakian (models)	45R9776	1

9952 Vista Business 32 SP1 Recovery DVDs	FRU#	CRU
English (models)	46R7287	1
Japanese (models)	46R7288	1
Simplified Chinese (models)	46R7289	1
French (models)	46R7290	1
German (models)	46R7291	1
Spanish (models)	46R7292	1
Italian (models)	46R7293	1
Brazilian Portuguese (models)	46R7294	1
Danish (models)	46R7295	1
Swedish (models)	45R9786	1
Finland (models)	45R9787	1
Dutch (models)	45R9788	1
Traditional Chinese (models AAV)	46R7296	1
Hong Kong (models)	46R7297	1
Norwegian (models)	46R7298	1
Korean (models)	45R9792	1
Slovenian (models)	45R9793	1

9952 Vista Business 32 SP1 Recovery DVDs	FRU#	CRU
Greek (models)	45R9794	1
Russian (models)	46R7299	1
Portuguese (models)	45R9796	1
Turkish (models)	45R9797	1
Czech (models)	45R9798	1
Polish (models)	45R9799	1
Russian English (models)	46R7300	1
Arabic Localized (models)	45R9801	1
Hebrew (models)	45R9802	1
Romanian (models)	45R9803	1
Hungarian (models)	45R9804	1
Slovakian (models)	45R9805	1
Serbian-Latin (models)	45R9806	1

9952 Vista VHP SP1 Recovery DVDs	FRU#	CRU
English (models)	46R7315	1
Japanese (models)	46R7316	1
Simplified Chinese (models)	46R7317	1
French (models)	46R7318	1
German (models)	46R7319	1
Spanish (models)	46R7320	1
Italian (models)	46R7321	1
Brazilian Portuguese (models)	46R7322	1
Danish (models)	46R7323	1
Swedish (models)	45R9844	1
Finland (models)	45R9845	1
Dutch (models)	45R9846	1
Traditional Chinese (models)	46R7324	1
Hong Kong (models)	46R7325	1
Norwegian (models)	46R7326	1
Korean (models)	45R9850	1
Slovenian (models)	45R9851	1
Greek (models)	45R9852	1
Russian (models)	45R9853	1
Portuguese (models)	45R9854	1
Turkish (models)	45R9855	1
Czech (models)	45R9856	1
Polish (models)	45R9857	1
Russian English (models)	46R7328	1

9952 Vista VHP SP1 Recovery DVDs	FRU#	CRU
Arabic Localized (models)	45R9859	1
Hebrew (models)	45R9860	1
Romanian (models)	45R9861	1
Hungarian (models)	45R9862	1
Slovakian (models)	45R9863	1
Serbian-Latin (models)	45R9864	1

9952 Vista Business 64 SP1 Recovery DVDs	FRU#	CRU
English (models)	46R7301	1
Russian English (models)	46R7302	1
French (models)	46R7303	1
German (models)	46R7304	1
Spanish (models)	46R7305	1
Brazilian Portuguese (models)	46R7306	1
Italian (models)	46R7307	1
Japanese (models)	46R7308	1
Norwegian (models)	46R7309	1
Swedish (models)	45R9816	1
Danish (models)	45R9817	1
Dutch (models)	45R9818	1
Czech (models)	46R7310	1
Finnish (models)	46R7311	1
Polish (models)	46R7312	1
Russian (models)	45R9822	1
Turkish (models)	45R9823	1
Hungarian (models)	45R9824	1
Greek (models)	45R9825	1
Simplified Chinese (models)	46R7313	1
Taiwan (models)	45R9827	1
HongKong (models)	45R9828	1
Korea (models)	45R9829	1
Slovenian (models)	46R7314	1
Portuguese (models)	45R9831	1
Arabic Localized (models)	45R9832	1
Hebrew (models)	45R9833	1
Slovakian (models)	45R9834	1

9952 Vista Ultimate 32 SP1 Recovery DVDs	FRU#	CRU
English (models)	46R7329	1
Japanese (models)	46R7330	1
Simplified Chinese (models)	46R7331	1
French (models)	46R7332	1
German (models)	46R7333	1
Spanish (models)	46R7334	1
Italian (models)	46R7335	1
Brazilian Portuguese (models)	46R7336	1
Danish (models)	46R7337	1
Swedish (models)	45R9874	1
Finland (models)	45R9875	1
Dutch (models)	45R9876	1
Traditional Chinese (models)	46R7338	1
Hong Kong (models)	46R7339	1
Norwegian (models)	46R7340	1
Korean (models)	45R9880	1
Slovenian (models)	45R9881	1
Greek (models)	45R9882	1
Russian (models)	46R7341	1
Portuguese (models)	45R9884	1
Turkish (models)	45R9885	1
Czech (models)	45R9886	1
Polish (models)	45R9887	1
Russian English (models)	46R5089	1
Arabic Localized (models)	46R7342	1
Hebrew (models)	45R9890	1
Hungarian (models)	45R9891	1
Slovakian (models)	45R9892	1

9952 Vista Starter 32 Recovery DVDs	FRU#	CRU
English (models)	46R5059	1

Chapter 12. Additional Service Information

This chapter provides additional information that the service representative might find helpful.

Security features

Security features in this section include the following:

- Passwords
- Vital Product Data
- Management Information Format (MIF)

Hardware controlled Passwords

Hardware controlled passwords are set using the Setup Utility program. For more information about passwords, see “Using passwords” on page 41.

Operating system password

An operating system password is very similar to a power-on password and denies access to the computer by an unauthorized user when the password is activated. The computer is unusable until the password is entered and recognized by the computer.

Vital product data

Each computer has a unique Vital Product Data (VPD) code stored in the nonvolatile memory on the system board. After you replace the system board, the VPD must be updated. To update the VPD, see “Updating (flashing) BIOS from a CD-ROM or diskette” on page 775.

BIOS levels

An incorrect level of BIOS can cause false errors and unnecessary FRU replacement. Use the following information to determine the current level of BIOS installed in the computer, the latest BIOS available for the computer, and where to obtain the latest level of BIOS.

- To determine the current Level of BIOS:
 - Start the Setup Utility.
 - Select Standard CMOS Features.
- Sources for obtaining the latest level BIOS available
 1. Lenovo support web site: <http://www.lenovo.com/support/>
 2. Lenovo Customer Support Center
 3. Levels 1 and 2 Support

To update (flash) the BIOS, see “Updating (flashing) BIOS from a CD-ROM or diskette” on page 775.

Updating (flashing) BIOS from a CD-ROM or diskette

This section describes how to update (flash) the BIOS using a CD-ROM or diskette. system program updates are available at <http://www.lenovo.com/support> on the World Wide Web.

1. To update (flash) the BIOS:

- If using a CD-ROM, make sure the computer is turned on. Insert the system program update (flash) CD-ROM into the optical drive. The update begins.
 - If using a diskette, make sure the computer is turned off. Insert the system program update (flash) diskette and turn on the computer. The update begins.
2. When prompted to change the serial number, press **Y**.
 3. Type the seven-character serial number of your computer and then press **Enter**.
 4. When prompted to change the machine type/model, press **Y**.
 5. Type the seven-character machine type/model of your computer and then press **Enter**.
 6. Follow the instructions on the screen to complete the update.

Recovering from a POST/BIOS update failure

Attention: If an interruption occurs during a POST/BIOS update (flash update), the computer might not restart correctly. If this occurs, perform the following procedure (also known as a Boot-block recovery).

Note: If your computer has no internal diskette drive, an optional USB diskette drive must be connected to use the BIOS flash diskette.

1. Turn the computer off and insert the BIOS flash diskette in the diskette drive.
2. Turn the computer on and immediately during startup, press Ctrl and Home keys (Ctrl + Home) at the same time.
3. The computer will automatically begin recovering the BIOS. During this time, you will see a screen indicating that Flash recovery has started. After the update session completes, the computer automatically reboots.
4. Remove the BIOS flash diskette from the diskette drive.

Power management

Power management reduces the power consumption of certain components of the computer such as the system power supply, processor, hard disk drives, and some monitors.

Automatic configuration and power interface (ACPI) BIOS

Being an ACPI BIOS system, the operating system is allowed to control the power management features of the computer and the setting for Advanced Power Management (APM) BIOS mode is ignored. Not all operating systems support ACPI BIOS mode.

Automatic Power-On features

The Automatic Power-On features within the Power Management menu allow you to enable and disable features that turn on the computer automatically.

- **Serial Port A Ring Detect:** With this feature set to **Enabled** and an external modem connected to serial port (COM1), the computer will turn on automatically when a ring is detected on the modem.
- **PCI Modem Ring Detect:** With this feature set to **Enabled**, the computer will turn on automatically when a ring is detected on the internal modem.
- **PCI Wake Up:** This feature allows PCI cards that support this capability to wake the system.
- **Wake Up on Alarm:** You can specify a date and time at which the computer will be turned on automatically. This can be either a single event or a daily event.
- **Wake on LAN:** If the computer has a properly configured token-ring or Ethernet LAN adapter card that is Wake on LAN-enabled and there is remote network management software, you can use the Wake on LAN feature. When you set Wake on LAN to **Enabled**, the computer will turn on when it receives a specific signal from another computer on the local area network (LAN).

Appendix A. Notices

Lenovo may not offer the products, services, or features discussed in this document in all countries. Consult your local Lenovo representative for information on the products and services currently available in your area. Any reference to a Lenovo product, program, or service is not intended to state or imply that only that Lenovo product, program, or service may be used. Any functionally equivalent product, program, or service that does not infringe any Lenovo intellectual property right may be used instead. However, it is the user's responsibility to evaluate and verify the operation of any other product, program, or service.

Lenovo may have patents or pending patent applications covering subject matter described in this document. The furnishing of this document does not give you any license to these patents. You can send license inquiries, in writing, to:

*Lenovo (United States), Inc.
1009 Think Place - Building One
Morrisville, NC 27560
U.S.A.
Attention: Lenovo Director of Licensing*

LENOVO PROVIDES THIS PUBLICATION "AS IS" WITHOUT WARRANTY OF ANY KIND, EITHER EXPRESS OR IMPLIED, INCLUDING, BUT NOT LIMITED TO, THE IMPLIED WARRANTIES OF NON-INFRINGEMENT, MERCHANTABILITY OR FITNESS FOR A PARTICULAR PURPOSE. Some jurisdictions do not allow disclaimer of express or implied warranties in certain transactions, therefore, this statement may not apply to you.

This information could include technical inaccuracies or typographical errors. Changes are periodically made to the information herein; these changes will be incorporated in new editions of the publication. Lenovo may make improvements and/or changes in the product(s) and/or the program(s) described in this publication at any time without notice.

The products described in this document are not intended for use in implantation or other life support applications where malfunction may result in injury or death to persons. The information contained in this document does not affect or change Lenovo product specifications or warranties. Nothing in this document shall operate as an express or implied license or indemnity under the intellectual property rights of Lenovo or third parties. All information contained in this document was obtained in specific environments and is presented as an illustration. The result obtained in other operating environments may vary.

Lenovo may use or distribute any of the information you supply in any way it believes appropriate without incurring any obligation to you.

Any references in this publication to non-Lenovo Web sites are provided for convenience only and do not in any manner serve as an endorsement of those Web sites. The materials at those Web sites are not part of the materials for this Lenovo product, and use of those Web sites is at your own risk.

Any performance data contained herein was determined in a controlled environment. Therefore, the result obtained in other operating environments may vary significantly. Some measurements may have been made on development-level systems and there is no guarantee that these measurements will be the same on generally available systems. Furthermore, some measurements may have been estimated through extrapolation. Actual results may vary. Users of this document should verify the applicable data for their specific environment.

Television output notice

The following notice applies to models that have the factory-installed television-output feature.

This product incorporates copyright protection technology that is protected by method claims of certain U.S. patents and other intellectual property rights owned by Macrovision Corporation and other rights owners. Use of this copyright protection technology must be authorized by Macrovision Corporation, and is intended for home and other limited viewing uses only unless otherwise authorized by Macrovision Corporation. Reverse engineering or disassembly is prohibited.

Trademarks

The following terms are trademarks of Lenovo in the United States, other countries, or both:

- Lenovo
- ThinkCentre
- PS/2
- Rescue and Recovery

The following terms are trademarks of International Business Machines Corporation in the United States, other countries, or both:

- IBM (used under license)
- Wake on LAN

Intel, Pentium and Celeron are trademarks of Intel Corporation in the United States, other countries, or both.

Microsoft, Windows, and Windows Vista are trademarks of the Microsoft group of companies.

Other company, product, or service names may be trademarks or service marks of others.

lenovo®

Part Number: 45C6545

Printed in USA

(1P) P/N: 45C6545

