





***lenovo***

**ThinkCentre  
Hardware Maintenance Manual**

**Note:** Before using this information and the product it supports, be sure to read the information under “Notices,” on page 445.

**Twelfth Edition (March 2009)**

**© Copyright Lenovo 2005, 2008.**

**Portions © Copyright International Business Machines Corporation 2005.**

**All rights reserved.**

LENOVO products, data, computer software, and services have been developed exclusively at private expense and are sold to governmental entities as commercial items as defined by 48 C.F.R. 2.101 with limited and restricted rights to use, reproduction and disclosure.

LIMITED AND RESTRICTED RIGHTS NOTICE: If products, data, computer software, or services are delivered pursuant a General Services Administration “GSA” contract, use, reproduction, or disclosure is subject to restrictions set forth in Contract No. GS-35F-05925.

---

# Contents

## Chapter 1. About this manual . . . . . 1

Important Safety Information . . . . .	1
Important information about replacing RoHS compliant FRUs . . . . .	2

## Chapter 2. Safety information . . . . . 3

General safety . . . . .	3
Electrical safety . . . . .	3
Voltage-selection switch. . . . .	5
Safety inspection guide . . . . .	5
Handling electrostatic discharge-sensitive devices . . . . .	6
Grounding requirements . . . . .	7
Safety notices (multi-lingual translations). . . . .	7

## Chapter 3. General information . . . . . 39

The ThinkVantage Productivity Center program . . . . .	39
Additional information resources . . . . .	39
Specifications . . . . .	40
Types 6008, 6068, 6074, 9012, 9018, 9087, 9163, 9172, and 9193 . . . . .	41
Types 6010, 6069, 6075, 6081, 6086, 9013, 9019, 9088, 9160, 9164, 9174, 9194, 9304, 9323, 9326, 9978, and 9979 . . . . .	42

## Chapter 4. General Checkout . . . . . 43

Problem determination tips . . . . .	43
--------------------------------------	----

## Chapter 5. Diagnostics . . . . . 45

PC-Doctor for Windows . . . . .	45
PC-Doctor for Windows PE . . . . .	45
Running diagnostics from the Rescue and Recovery workspace . . . . .	45
PC-Doctor for DOS . . . . .	46
Creating a diagnostic CD image . . . . .	46
Creating diagnostic diskettes . . . . .	46
Running diagnostics from the CD or diskettes . . . . .	47
Navigating through the diagnostics programs . . . . .	47
Running tests. . . . .	47
Viewing the test log . . . . .	49

## Chapter 6. Using the Setup Utility . . . . . 51

Starting the Setup Utility program. . . . .	51
Viewing and changing settings . . . . .	51
Using passwords . . . . .	51
Password considerations . . . . .	51
User Password . . . . .	52
Administrator Password . . . . .	52
Setting, changing, and deleting a password. . . . .	52
Selecting a startup device. . . . .	52
Selecting a temporary startup device . . . . .	52
Selecting or changing the startup device sequence . . . . .	53
Advanced settings . . . . .	53
Exiting from the Setup Utility program . . . . .	53

## Chapter 7. Symptom-to-FRU Index . . . . . 55

Hard disk drive boot error . . . . .	55
Power Supply Problems . . . . .	55
Diagnostic error codes. . . . .	56
Beep symptoms . . . . .	78
POST error codes . . . . .	79
Miscellaneous error messages . . . . .	81
Undetermined problems . . . . .	82

## Chapter 8. Replacing FRUs (Types 6008, 6068, 6074, 9012, 9018, 9087, 9163, 9172, and 9193) . . . . . 85

Locations . . . . .	86
Rear connectors . . . . .	86
Computer components . . . . .	87
System board connectors . . . . .	88
Removing the cover . . . . .	89
Accessing system board components and drives . . . . .	90
Replacing a memory module . . . . .	92
Replacing the CMOS battery. . . . .	93
Replacing the power supply. . . . .	94
Replacing the system board . . . . .	96
Replacing the microprocessor . . . . .	100
Replacing the hard disk drive . . . . .	104
Replacing an optical drive . . . . .	106
Replacing the diskette drive . . . . .	107
Replacing the power switch/LED assembly . . . . .	108
Replacing the front panel card. . . . .	109
Replacing the system fan assembly . . . . .	110
Replacing a PCI adapter . . . . .	111
Completing the FRU replacement. . . . .	112

## Chapter 9. Replacing FRUs (Types 6010, 6069, 6075, 6081, 6086, 9013, 9019, 9088, 9160, 9164, 9174, 9194, 9304, 9323, 9326, 9978, and 9979). . . . . 113

Locations . . . . .	114
Rear connectors . . . . .	114
Computer components . . . . .	115
System board connectors . . . . .	116
Removing the cover . . . . .	117
Removing and replacing the front bezel . . . . .	118
Replacing the power supply . . . . .	119
Replacing the system board . . . . .	120
Replacing the microprocessor . . . . .	125
Replacing a memory module . . . . .	129
Replacing a PCI adapter. . . . .	130
Replacing the primary hard disk drive . . . . .	132
Replacing the secondary hard disk drive . . . . .	135
Replacing an optical drive . . . . .	139
Replacing the diskette drive . . . . .	140
Replacing the rear fan assembly . . . . .	141
Replacing the front fan assembly . . . . .	143
Replacing the front audio/USB assembly . . . . .	145

Replacing the power switch/LED assembly . . . . .	146
Replacing the CMOS battery . . . . .	147
Completing the FRU replacement . . . . .	148

**Chapter 10. FRU lists . . . . . 149**

Machine Type 6008 . . . . .	149
Machine Type 6010 . . . . .	160
Machine Type 6068 . . . . .	172
Machine Type 6069 . . . . .	182
Machine Type 6074 . . . . .	193
Machine Type 6075 . . . . .	204
Machine Type 6081 . . . . .	220
Machine Type 6086 . . . . .	231
Machine Type 9012 . . . . .	243
Machine Type 9013 . . . . .	252
Machine Type 9018 . . . . .	262
Machine Type 9019 . . . . .	272
Machine Type 9087 . . . . .	282
Machine Type 9088 . . . . .	292
Machine Type 9160 . . . . .	306
Machine Type 9163 . . . . .	317
Machine Type 9164 . . . . .	329
Machine Type 9172 . . . . .	339
Machine Type 9174 . . . . .	349
Machine Type 9193 . . . . .	360
Machine Type 9194 . . . . .	371

Machine Type 9304 . . . . .	381
Machine Type 9323 . . . . .	393
Machine Type 9326 . . . . .	404
Machine Type 9978 . . . . .	416
Machine Type 9979 . . . . .	428

**Chapter 11. Additional Service**

**Information . . . . . 441**

Security features . . . . .	441
Hardware controlled Passwords . . . . .	441
Operating system password . . . . .	441
Vital product data . . . . .	441
BIOS levels . . . . .	441
Updating (flashing) BIOS from a CD-ROM or diskette . . . . .	442
Recovering from a POST/BIOS update failure . . . . .	442
Power management . . . . .	443
Automatic configuration and power interface (ACPI) BIOS. . . . .	443
Automatic Power-On features . . . . .	443

**Appendix. Notices . . . . . 445**

Television output notice . . . . .	446
Trademarks . . . . .	446

---

## Chapter 1. About this manual

This manual contains service and reference information for ThinkCentre® computers listed on the cover. It is intended only for trained servicers who are familiar with Lenovo computer products.

Before servicing a Lenovo product, be sure to read the Safety Information. See Chapter 2, "Safety information," on page 3.

The Symptom-to-FRU Index and Additional Service Information chapters are not specific to any machine type and are applicable to all ThinkCentre computers.

This manual includes a complete FRU part number listing for each machine type and model listed on the cover. If you have internet access, FRU part numbers are also available at:

<http://www.lenovo.com/support>

---

### Important Safety Information

Be sure to read all caution and danger statements in this book before performing any of the instructions.

Veillez lire toutes les consignes de type DANGER et ATTENTION du présent document avant d'exécuter les instructions.

Lesen Sie unbedingt alle Hinweise vom Typ "ACHTUNG" oder "VORSICHT" in dieser Dokumentation, bevor Sie irgendwelche Vorgänge durchführen

Leggere le istruzioni introdotte da ATTENZIONE e PERICOLO presenti nel manuale prima di eseguire una qualsiasi delle istruzioni

Certifique-se de ler todas as instruções de cuidado e perigo neste manual antes de executar qualquer uma das instruções

Es importante que lea todas las declaraciones de precaución y de peligro de este manual antes de seguir las instrucciones.

. تأكد من قراءة كل التحذيرات الموجودة في هذا الكتاب قبل اتباع هذه التعليمات .

执行任何说明之前，请确保已阅读本书中的所有警告和危险声明。

執行任何指示前，請確實閱讀本書中的所有警告及危險聲明。

.ודאו שקראתם את כל הודעות האזהרה והסכנה במסמך זה לפני שתבצעו פעולה כלשהי.

본 사용 설명서에 기재된 내용을 실행하기 전에 모든 주의사항 및 위험사항을 숙지하십시오.

---

## Important information about replacing RoHS compliant FRUs

RoHS, The Restriction of Hazardous Substances in Electrical and Electronic Equipment Directive (2002/95/EC) is a European Union legal requirement affecting the global electronics industry. RoHS requirements must be implemented on Lenovo products placed on the market and sold in the European Union after June 2006. Products on the market before June 2006 are not required to have RoHS compliant parts. If the parts are not compliant originally, replacement parts can also be noncompliant, but in all cases, if the parts are compliant, the replacement parts must also be compliant.

**Note:** RoHS and non-RoHS FRU part numbers with the same fit and function are identified with unique FRU part numbers.

Lenovo plans to transition to RoHS compliance well before the implementation date and expects its suppliers to be ready to support Lenovo's requirements and schedule in the EU. Products sold in 2005, will contain some RoHS compliant FRUs. The following statement pertains to these products and any product Lenovo produces containing RoHS compliant parts.

RoHS compliant ThinkCentre parts have unique FRU part numbers. Before or after June, 2006, failed RoHS compliant parts must always be replaced using RoHS compliant FRUs, so only the FRUs identified as compliant in the system HMM or direct substitutions for those FRUs can be used.

Products marketed before June 2006		Products marketed after June 2006	
Current or original part	Replacement FRU	Current or original part	Replacement FRU
Non-RoHS	Can be Non-RoHS	Must be RoHS	Must be RoHS
Non-RoHS	Can be RoHS		
Non-RoHS	Can sub to RoHS		
RoHS	Must be RoHS		

**Note:** A direct substitution is a part with a different FRU part number that is automatically shipped by the distribution center at the time of order.



---

## Chapter 2. Safety information

This chapter contains the safety information that you need to be familiar with before servicing a computer.

---

### General safety

Follow these rules to ensure general safety:

- Observe good housekeeping in the area of the machines during and after maintenance.
- When lifting any heavy object:
  1. Ensure you can stand safely without slipping.
  2. Distribute the weight of the object equally between your feet.
  3. Use a slow lifting force. Never move suddenly or twist when you attempt to lift.
  4. Lift by standing or by pushing up with your leg muscles; this action removes the strain from the muscles in your back. *Do not attempt to lift any objects that weigh more than 16 kg (35 lb) or objects that you think are too heavy for you.*
- Do not perform any action that causes hazards to the customer, or that makes the equipment unsafe.
- Before you start the machine, ensure that other service representatives and the customer's personnel are not in a hazardous position.
- Place removed covers and other parts in a safe place, away from all personnel, while you are servicing the machine.
- Keep your tool case away from walk areas so that other people will not trip over it.
- Do not wear loose clothing that can be trapped in the moving parts of a machine. Ensure that your sleeves are fastened or rolled up above your elbows. If your hair is long, fasten it.
- Insert the ends of your necktie or scarf inside clothing or fasten it with a nonconductive clip, approximately 8 centimeters (3 inches) from the end.
- Do not wear jewelry, chains, metal-frame eyeglasses, or metal fasteners for your clothing.

**Remember:** Metal objects are good electrical conductors.
- Wear safety glasses when you are: hammering, drilling soldering, cutting wire, attaching springs, using solvents, or working in any other conditions that might be hazardous to your eyes.
- After service, reinstall all safety shields, guards, labels, and ground wires. Replace any safety device that is worn or defective.
- Reinstall all covers correctly before returning the machine to the customer.

---

### Electrical safety



**CAUTION:**

Electrical current from power, telephone, and communication cables can be hazardous. To avoid personal injury or equipment damage, disconnect the attached power cords, telecommunication systems, networks, and modems before you open the server/workstation covers, unless instructed otherwise in the installation and configuration procedures.

Observe the following rules when working on electrical equipment.

**Important:** Use only approved tools and test equipment. Some hand tools have handles covered with a soft material that does not insulate you when working with live electrical currents.

Many customers have, near their equipment, rubber floor mats that contain small conductive fibers to decrease electrostatic discharges. Do not use this type of mat to protect yourself from electrical shock.

- Find the room emergency power-off (EPO) switch, disconnecting switch, or electrical outlet. If an electrical accident occurs, you can then operate the switch or unplug the power cord quickly.
- Do not work alone under hazardous conditions or near equipment that has hazardous voltages.
- Disconnect all power before:
  - Performing a mechanical inspection
  - Working near power supplies
  - Removing or installing Field Replaceable Units
- Before you start to work on the machine, unplug the power cord. If you cannot unplug it, ask the customer to power-off the wall box that supplies power to the machine and to lock the wall box in the off position.
- If you need to work on a machine that has exposed electrical circuits, observe the following precautions:
  - Ensure that another person, familiar with the power-off controls, is near you.  
**Remember:** Another person must be there to switch off the power, if necessary.
  - Use only one hand when working with powered-on electrical equipment; keep the other hand in your pocket or behind your back.  
**Remember:** There must be a complete circuit to cause electrical shock. By observing the above rule, you may prevent a current from passing through your body.
  - When using testers, set the controls correctly and use the approved probe leads and accessories for that tester.
  - Stand on suitable rubber mats (obtained locally, if necessary) to insulate you from grounds such as metal floor strips and machine frames.

Observe the special safety precautions when you work with very high voltages; these instructions are in the safety sections of maintenance information. Use extreme care when measuring high voltages.

- Regularly inspect and maintain your electrical hand tools for safe operational condition.
- Do not use worn or broken tools and testers.
- *Never assume* that power has been disconnected from a circuit. First, *check* that it has been powered-off.

- Always look carefully for possible hazards in your work area. Examples of these hazards are moist floors, nongrounded power extension cables, power surges, and missing safety grounds.
- Do not touch live electrical circuits with the reflective surface of a plastic dental mirror. The surface is conductive; such touching can cause personal injury and machine damage.
- Do not service the following parts with the power on when they are removed from their normal operating places in a machine:
  - Power supply units
  - Pumps
  - Blowers and fans
  - Motor generatorsand similar units. (This practice ensures correct grounding of the units.)
- If an electrical accident occurs:
  - Use caution; do not become a victim yourself.
  - Switch off power.
  - Send another person to get medical aid.

---

## Voltage-selection switch

Some computers are equipped with a voltage-selection switch located near the power-cord connection point on the computer. If your computer has a voltage-selection switch, ensure that you set the switch to match the voltage available at your electrical outlet. Setting the voltage-selection switch incorrectly can cause permanent damage to the computer.

If your computer does not have a voltage-selection switch, your computer is designed to operate only at the voltage provided in the country or region where the computer was originally purchased.

If you relocate your computer to another country, be aware of the following:

- If your computer does not have a voltage-selection switch, do not connect the computer to an electrical outlet until you have verified that the voltage provided is the same as it was in the country or region where the computer was originally purchased.
- If your computer has a voltage selection switch, do not connect the computer to an electrical outlet until you have verified that the voltage-selection switch is set to match the voltage provided in that country or region.

If you are not sure of the voltage provided at your electrical outlet, contact your local electric company or refer to official Web sites or other literature for travelers to the country or region where you are located.

---

## Safety inspection guide

The intent of this inspection guide is to assist you in identifying potentially unsafe conditions on these products. Each machine, as it was designed and built, had required safety items installed to protect users and service personnel from injury. This guide addresses only those items. However, good judgment should be used to identify potential safety hazards due to attachment of features or options not covered by this inspection guide.

If any unsafe conditions are present, you must determine how serious the apparent hazard could be and whether you can continue without first correcting the problem.

Consider these conditions and the safety hazards they present:

- Electrical hazards, especially primary power (primary voltage on the frame can cause serious or fatal electrical shock).
- Explosive hazards, such as a damaged CRT face or bulging capacitor
- Mechanical hazards, such as loose or missing hardware

The guide consists of a series of steps presented in a checklist. Begin the checks with the power off, and the power cord disconnected.

Checklist:

1. Check exterior covers for damage (loose, broken, or sharp edges).
2. Power-off the computer. Disconnect the power cord.
3. Check the power cord for:
  - a. A third-wire ground connector in good condition. Use a meter to measure third-wire ground continuity for 0.1 ohm or less between the external ground pin and frame ground.
  - b. The power cord should be the appropriate type as specified in the parts listings.
  - c. Insulation must not be frayed or worn.
4. Remove the cover.
5. Check for any obvious alterations. Use good judgment as to the safety of any alterations.
6. Check inside the unit for any obvious unsafe conditions, such as metal filings, contamination, water or other liquids, or signs of fire or smoke damage.
7. Check for worn, frayed, or pinched cables.
8. Check that the power-supply cover fasteners (screws or rivets) have not been removed or tampered with.

---

## Handling electrostatic discharge-sensitive devices

Any computer part containing transistors or integrated circuits (ICs) should be considered sensitive to electrostatic discharge (ESD). ESD damage can occur when there is a difference in charge between objects. Protect against ESD damage by equalizing the charge so that the machine, the part, the work mat, and the person handling the part are all at the same charge.

**Notes:**

1. Use product-specific ESD procedures when they exceed the requirements noted here.
2. Make sure that the ESD protective devices you use have been certified (ISO 9000) as fully effective.

When handling ESD-sensitive parts:

- Keep the parts in protective packages until they are inserted into the product.
- Avoid contact with other people while handling the part.
- Wear a grounded wrist strap against your skin to eliminate static on your body.

- Prevent the part from touching your clothing. Most clothing is insulative and retains a charge even when you are wearing a wrist strap.
- Use the black side of a grounded work mat to provide a static-free work surface. The mat is especially useful when handling ESD-sensitive devices.
- Select a grounding system, such as those listed below, to provide protection that meets the specific service requirement.

**Note:** The use of a grounding system is desirable but not required to protect against ESD damage.

- Attach the ESD ground clip to any frame ground, ground braid, or green-wire ground.
- Use an ESD common ground or reference point when working on a double-insulated or battery-operated system. You can use coax or connector-outside shells on these systems.
- Use the round ground-prong of the ac plug on ac-operated computers.

---

## Grounding requirements

Electrical grounding of the computer is required for operator safety and correct system function. Proper grounding of the electrical outlet can be verified by a certified electrician.

---

## Safety notices (multi-lingual translations)

The caution and danger safety notices in this section are provided in the following languages:

- English
- Arabic
- Brazilian/Portuguese
- Chinese (simplified)
- Chinese (traditional)
- French
- German
- Hebrew
- Italian
- Korean
- Spanish



### DANGER

Electrical current from power, telephone and communication cables is hazardous.

**To avoid a shock hazard:**

- **Do not connect or disconnect any cables or perform installation, maintenance, or reconfiguration of this product during an electrical storm.**
- **Connect all power cords to a properly wired and grounded electrical outlet.**

- **Connect to properly wired outlets any equipment that will be attached to this product.**
- **When possible, use one hand only to connect or disconnect signal cables.**
- **Never turn on any equipment when there is evidence of fire, water, or structural damage.**
- **Disconnect the attached power cords, telecommunications systems, networks, and modems before you open the device covers, unless instructed otherwise in the installation and configuration procedures.**
- **Connect and disconnect cables as described in the following tables when installing, moving, or opening covers on this product or attached devices.**

To Connect	To Disconnect
<ol style="list-style-type: none"> <li>1. Turn everything OFF.</li> <li>2. First, attach all cables to devices.</li> <li>3. Attach signal cables to connectors.</li> <li>4. Attach power cords to outlet.</li> <li>5. Turn device ON.</li> </ol>	<ol style="list-style-type: none"> <li>1. Turn everything OFF.</li> <li>2. First, remove power cords from outlet.</li> <li>3. Remove signal cables from connectors.</li> <li>4. Remove all cables from devices.</li> </ol>



**CAUTION:**

When replacing the lithium battery, use only Part Number 33F8354 or an equivalent type battery recommended by the manufacturer. If your system has a module containing a lithium battery, replace it only with the same module type made by the same manufacturer. The battery contains lithium and can explode if not properly used, handled, or disposed of.

*Do not:*

- Throw or immerse into water
- Heat to more than 100°C (212°F)
- Repair or disassemble

Dispose of the battery as required by local ordinances or regulations.



**CAUTION:**

When laser products (such as CD-ROMs, DVD-ROM drives, fiber optic devices, or transmitters) are installed, note the following:

- Do not remove the covers. Removing the covers of the laser product could result in exposure to hazardous laser radiation. There are no serviceable parts inside the device.
- Use of controls or adjustments or performance of procedures other than those specified herein might result in hazardous radiation exposure.



**DANGER:** Some laser products contain an embedded Class 3A or Class 3B laser diode. Note the following:

Laser radiation when open. Do not stare into the beam, do not view directly with optical instruments, and avoid direct exposure to the beam.



≥18 kg (37 lbs)



≥32 kg (70.5 lbs)



≥55 kg (121.2 lbs)

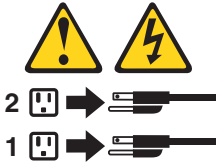
**CAUTION:**

Use safe practices when lifting.



**CAUTION:**

The power control button on the device and the power switch on the power supply do not turn off the electrical current supplied to the device. The device also might have more than one power cord. To remove all electrical current from the device, ensure that all power cords are disconnected from the power source.







## خطر

التيار الكهربى الموجود بمصدر الطاقة أو أجهزة التليفون أو أسلاك الإتصالات يشكل خطورة.

لتفادي مخاطر الصدمات الكهربائية:

لا تحاول توصيل أو فصل أي أسلاك أو القيام بعمليات تركيب أو صيانة أو إعادة توصيف لهذا المنتج أثناء وجود عاصفة كهربائية.

يجب توصيل كل أسلاك الكهرباء في مخارج كهرباء ذات توصيلات أسلاك وتوصيلات أرضية صحيحة  
يجب توصيل أي جهاز سيتم الحاقه بهذا المنتج في مخارج كهرباء ذات توصيلات أسلاك صحيحة.

وإن أمكن يجب استخدام يد واحدة فقط في توصيل أو فصل أسلاك الإشارة.

لا تحاول تشغيل أي جهاز إذا كان هناك أثر لحرق أو مياه أو تلف بالمكونات

يجب فصل أسلاك الكهرباء وأنظمة الاتصالات وشبكات الاتصال وأجهزة المودم الملحقة قبل فتح أغطية الجهاز، ما لم يتم طلب خلاف ذلك في التعليمات الخاصة بالتركيب والتوصيف.  
قم بتوصيل وفصل الأسلاك كما هو موضح في الجدول التالي وذلك عند القيام بعمليات التركيب أو النقل أو فتح أغطية هذا المنتج أو الأجهزة الملحقة.

### للفصل:

- قم بإيقاف كل شيء.
- أولاً، قم بفصل كل أسلاك الكهرباء من المخرج.
- قم بفصل أسلاك الإشارة من الموصلات.
- قم بفصل كل الأسلاك من الأجهزة.

### للتوصيل:

- قم بإيقاف كل شيء.
- أولاً، قم بتوصيل كل الأسلاك بالأجهزة.
- قم بتوصيل أسلاك الإشارة في لموصلات.
- قم بتوصيل أسلاك الكهرباء في المخارج.
- قم بتشغيل الجهاز.



تنبيه :

عند استبدال البطارية الليثيوم، استخدم فقط رقم الجزء الخاص **Part Number 33F8354** أو نوع آخر يكون على نفس مستوى الكفاءة يحدده لك المصنع. إذا كان النظام الخاص يستخدم معه بطارية ليثيوم قم باستبدالها بنفس النوع الذي تم صناعته من خلال نفس المصنع. تحتوي البطارية على مادة الليثيوم ويمكن أن تنفجر في حالة عدم استخدامها أو التعامل معها بطريقة صحيحة أو عند التخلص منها بطريقة خطأ.

لا تَقم بـ:

- الفاء البطارية أو غمرها في الماء
- تسخينها أعلى من ١٠٠ درجة مئوية و(٢١٢ ° فهرنهايت)
- بتصليحها أو فكها

تخلص من البطارية طبقاً للقانون أو النظام المحلي .



تنبيه :

أثناء تركيب منتجات ليزر (مثل CD-ROMs أو وحدة تشغيل DVD أو أجهزة Fiber Optic أو وحدات الإرسال) يجب مراعاة الآتي:

لا تنزع الأغطية. قد ينتج عن نزع أغطية منتج الليزر انفجار أشعة الليزر شديدة الخطورة. لا يوجد أجزاء يمكن تغييرها داخل الجهاز. قد ينتج عن استخدام تحكيمات أو تعديلات أو عمل أي تصرفات أخرى تخالف ما هو محدد هنا إلى انفجار أشعة شديدة الخطورة.



خطر

تحتوي بعض منتجات الليزر على الفئة دايود ليزر مدمج من الفئة **Class 3A** أو **Class 3B**. يجب مراعاة الآتي .

أشعة الليزر عند الفتح. لا تحدد إلى الإشعاع و لا تنظر إليه مباشرة بواسطة أي أجهزة مرئية وتجنب التعرض المباشر للإشعاع .



≥18 kg (37 lbs)



≥32 kg (70.5 lbs)

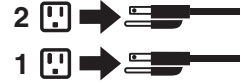


≥55 kg (121.2 lbs)

تنبيه :  
يجب استخدام ممارسات آمنة عند الرفع



تنبيهه :  
لا يقرم زر التحكم في التشغيل الموجود على الجهاز والمفتاح الكهربائي الموجود على لوحة التحكم بإيقاف التيار الكهربائي المار بالجهاز. قد يكون للجهاز أكثر من سلك كهربائي واحد. لايقاف التيار الكهربائي المار بالجهاز، تأكد من فصل جميع أسلاك الكهرباء من مصدر الكهرباء .





## PERIGO

A corrente elétrica proveniente de cabos de alimentação, de telefone e de comunicações é perigosa.

Para evitar risco de choque elétrico:

- Não conecte nem desconecte nenhum cabo ou execute instalação, manutenção ou reconfiguração deste produto durante uma tempestade com raios.
- Conecte todos os cabos de alimentação a tomadas elétricas corretamente instaladas e aterradas.
- Todo equipamento que for conectado a este produto deve ser conectado a tomadas corretamente instaladas.
- Quando possível, utilize apenas uma das mãos para conectar ou desconectar cabos de sinal.
- Nunca ligue nenhum equipamento quando houver evidência de fogo, água ou danos estruturais.
- Antes de abrir tampas de dispositivos, desconecte cabos de alimentação, sistemas de telecomunicação, redes e modems conectados, a menos que especificado de maneira diferente nos procedimentos de instalação e configuração.
- Conecte e desconecte os cabos conforme descrito na tabela apresentada a seguir ao instalar, mover ou abrir tampas deste produto ou de dispositivos conectados.

Para Conectar:	Para Desconectar:
<ol style="list-style-type: none"><li>1. DESLIGUE Tudo.</li><li>2. Primeiramente, conecte todos os cabos aos dispositivos.</li><li>3. Conecte os cabos de sinal aos conectores.</li><li>4. Conecte os cabos de alimentação às tomadas.</li><li>5. LIGUE os dispositivos.</li></ol>	<ol style="list-style-type: none"><li>1. DESLIGUE Tudo.</li><li>2. Primeiramente, remova os cabos de alimentação das tomadas.</li><li>3. Remova os cabos de sinal dos conectores.</li><li>4. Remova todos os cabos dos dispositivos.</li></ol>



### CUIDADO:

Ao substituir a bateria de lítio, utilize apenas uma bateria com Número de Peça 33F8354 ou um tipo de bateria equivalente recomendado pelo Se o seu sistema possui um módulo com uma bateria de lítio, substitua-o apenas por um módulo do mesmo tipo e do mesmo fabricante. A bateria contém lítio e pode explodir se não for utilizada, manuseada ou descartada de maneira correta.

Não:

- Jogue ou coloque na água
- Aqueça a mais de 100°C (212°F)
- Conserte nem desmonte

Descarte a bateria conforme requerido pelas leis ou regulamentos locais.



### PRECAUCIÓN:

Quando produtos a laser (como unidades de CD-ROMs, unidades de DVD-ROM, dispositivos de fibra ótica ou transmissores) estiverem instalados, observe o seguinte:

- Não remova as tampas. A remoção das tampas de um produto a laser pode resultar em exposição prejudicial à radiação de laser. Não existem peças que podem ser consertadas no interior do dispositivo.
- A utilização de controles ou ajustes ou a execução de procedimentos diferentes dos especificados aqui pode resultar em exposição prejudicial à radiação.

### PERIGO

Alguns produtos a laser contêm diodo de laser integrado da Classe 3A ou da Classe 3B. Observe o seguinte:

Radiação a laser quando aberto. Não olhe diretamente para o feixe a olho nu ou com instrumentos ópticos e evite exposição direta ao feixe.



≥18 kg (37 lbs)



≥32 kg (70.5 lbs)



≥55 kg (121.2 lbs)

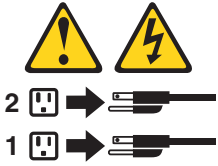
### CUIDADO:

Utilize procedimentos de segurança para levantar equipamentos.



**CUIDADO:**

O botão de controle de alimentação do dispositivo e o botão para ligar/desligar da fonte de alimentação não desligam a corrente elétrica fornecida ao dispositivo. O dispositivo também pode ter mais de um cabo de alimentação. Para remover toda a corrente elétrica do dispositivo, assegure que todos os cabos de alimentação estejam desconectados da fonte de alimentação.





#### 危险

电源、电话和通信电缆中的电流是危险的。

为避免电击危险：

- 请勿在雷电期间连接或断开任何电缆的连接，或者对本产品进行安装、维护或重新配置。
- 将所有电源线连接到正确连线和妥善接地的电源插座。
- 将所有要连接到该产品的设备连接到正确连线的插座。
- 如果可能，请仅使用一只手来连接或断开信号电缆的连接。
- 切勿在有火、水、结构损坏迹象的情况下开启任何设备。
- 在打开设备外盖之前请断开已连接的电源线、远程通信系统、网络和调制解调器，除非在安装和配置过程中另有说明。
- 当安装、移动或打开该产品或连接设备的外盖时，请按照下表所述来连接或断开电缆的连接。

要连接	要断开连接
<ol style="list-style-type: none"><li>1. 切断所有电源。</li><li>2. 首先将所有电缆连接到设备。</li><li>3. 将信号电缆连接到接口。</li><li>4. 将电源线连接到插座。</li><li>5. 开启设备。</li></ol>	<ol style="list-style-type: none"><li>1. 切断所有电源。</li><li>2. 首先从插座上拔出电源线。</li><li>3. 从接口上拔出信号电缆。</li><li>4. 从设备上拔出所有电缆。</li></ol>



#### 警告：

更换锂电池时，请仅使用部件号为 33F8354 的电池或制造商推荐的同类电池。如果您的系统有包含锂电池的模块，请仅使用同一制造商生产的相同模块类型来替换该模块。该电池中含有锂，如果使用、操作或处理不当，可能会发生爆炸。

切勿：

- 投入或浸入水中
- 加热到 100 °C (212 °F) 以上
- 维修或拆卸

请按照当地法令或条例的要求处理电池。



警告：  
安装激光产品（例如 CD-ROM、DVD-ROM 驱动器、光纤设备或发射设备）时，  
请注意以下声明：

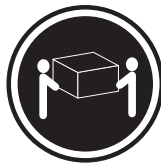
- 请勿卸下外盖。卸下激光产品的外盖可能导致遭受激光辐射的危险。该设备内没有可维修的部件。
- 如果不按照此处指定的过程进行控制、调整或操作，则有可能导致遭受辐射的危险。



危险

某些激光产品包含嵌入式 3A 类或 3B 类激光二极管。请注意以下声明：

打开后有激光辐射。请勿注视光束，请勿直接用光学仪器查看，并请避免直接暴露在光束中。



≥18 千克 (37 磅)



≥32 千克 (70.5 磅)



≥55 千克 (121.2 磅)

警告：  
抬起时请采取安全措施。



警告：  
设备上的电源控制按钮和电源上的电源开关不会切断供给该设备的电流。该设备还可能有多条电源线。要切断该设备的所有电流，请确保所有电源线都与电源断开连接。







#### 危險

電源、電話及通訊纜線上的電流都具有危險性。

若要避免觸電危險：

- 請勿在雷雨期間，連接或拔除纜線、執行安裝、維護或重新配置本產品。
- 將所有電源線連接到正確配線及接地的電源插座。
- 任何與本產品連接的設備都必須連接到配線妥當的電源插座。
- 請盡可能用單手連接或拔除信號線。
- 發生火災、水災或結構損害時，絕對不要開啟任何設備。
- 除非在安裝及配置程序中另有指示，否則在開啟裝置機蓋之前，請拔掉連接的電源線、電信系統、網路及數據機。
- 安裝、移動或開啟本產品或附屬裝置的機蓋時，請遵循下列說明連接及拔掉纜線。

連線	切斷連線
<ol style="list-style-type: none"> <li>1. 關閉所有開關。</li> <li>2. 首先，連接所有接線到裝置。</li> <li>3. 連接信號線到接頭。</li> <li>4. 連接電源線到插座。</li> <li>5. 開啟裝置。</li> </ol>	<ol style="list-style-type: none"> <li>1. 關閉所有開關。</li> <li>2. 首先，拔掉插座上的電源線。</li> <li>3. 拔掉接頭上的信號線。</li> <li>4. 拔掉裝置上所有接線。</li> </ol>



#### 警告：

更換鋰電池時，請僅使用產品編號 **33F8354** 或製造商所建議的同類型電池。  
 如果您的系統中含有鋰電池模組，請僅使用同一家製造商所生產的相同模組進行更換。  
 如果未以正確方式使用、處理或棄置含鋰的電池，會有爆炸的危險。

請勿：

- 沾溼或浸入水中
  - 置於 **100C (212F)** 以上的高溫環境
  - 修理或拆開
- 請按照各地區有關廢棄電池的法令和規定處理舊電池。



#### 警告：

- 請勿移除機蓋。移除雷射產品的機蓋，可能會導致暴露在危險的雷射輻射中。裝置內部並無可自行維修的零件。
- 利用或執行非本文中所指定的控制、調整及執行程序，可能會導致危險的輻射外洩。



#### 危險

部分雷射產品含有內嵌式 **Class 3A** 或 **Class 3B** 雷射二極體。請注意下列事項：  
 在開啟光碟機時，會發生雷射輻射。請勿直視光束或用光學儀器直接檢視，並避免直接暴露在光束中。



≥ 18 公斤 (37 磅)



≥ 32 公斤 (70.5 磅)



≥ 55 公斤 (121.2 磅)

警告：  
搬運時請注意安全。



警告：  
裝置上的電源控制按鈕及電源供應器上的電源開關，無法關閉裝置所產生的電流。  
該裝置可能有多條電源線。若要除去裝置流出的所有電流，請確認已切斷所有電源線的電源。





## DANGER

Le courant électrique provenant de l'alimentation, du téléphone et des câbles de transmission peut présenter un danger.

Pour éviter tout risque de choc électrique :

- Ne manipulez aucun câble et n'effectuez aucune opération d'installation, d'entretien ou de reconfiguration de ce produit au cours d'un orage.
- Branchez tous les cordons d'alimentation sur un socle de prise de courant correctement câblé et mis à la terre.
- Branchez sur des socles de prise de courant correctement câblés tout équipement connecté à ce produit.
- Lorsque cela est possible, n'utilisez qu'une seule main pour connecter ou déconnecter les câbles d'interface.
- Ne mettez jamais un équipement sous tension en cas d'incendie ou d'inondation, ou en présence de dommages matériels.
- Avant de retirer les carters de l'unité, mettez celle-ci hors tension et déconnectez ses cordons d'alimentation, ainsi que les câbles qui la relient aux réseaux, aux systèmes de télécommunication et aux modems (sauf instruction contraire mentionnée dans les procédures d'installation et de configuration).
- Lorsque vous installez, que vous déplacez, ou que vous manipulez le présent produit ou des périphériques qui lui sont raccordés, reportez-vous aux instructions ci-dessous pour connecter et déconnecter les différents cordons.

Connexion	Déconnexion
1. Mettez les unités HORS TENSION.	1. Mettez les unités HORS TENSION.
2. Commencez par brancher tous les cordons sur les unités.	2. Débranchez les cordons d'alimentation des prises.
3. Branchez les câbles d'interface sur des connecteurs.	3. Débranchez les câbles d'interface des connecteurs.
4. Branchez les cordons d'alimentation sur des prises.	4. Débranchez tous les câbles des unités.
5. Mettez les unités SOUS TENSION.	



**ATTENTION:**

Remplacer la pile au lithium usagée par une pile de référence identique exclusivement, (référence 33F8354), ou suivre les instructions du fabricant qui en définit les équivalences. Si votre système est doté d'un module contenant une pile au lithium, vous devez le remplacer uniquement par un module identique, produit par le même fabricant. La pile contient du lithium et peut exploser en cas de mauvaise utilisation, de mauvaise manipulation ou de mise au rebut inappropriée.

Ne pas :

- la jeter à l'eau,
- l'exposer à des températures supérieures à 100°C,
- chercher à la réparer ou à la démonter.

Ne pas mettre la pile à la poubelle. Pour la mise au rebut, se reporter à la réglementation en vigueur.



**ATTENTION:**

Si des produits à laser (tels que des unités de CD-ROM, de DVD-ROM, des unités à fibres optiques, ou des émetteurs) sont installés, prenez connaissance des informations suivantes :

- Ne retirez pas le carter. En ouvrant l'unité de CD-ROM ou de DVD-ROM, vous vous exposez au rayonnement dangereux du laser. Aucune pièce de l'unité n'est réparable.
- Pour éviter tout risque d'exposition au rayon laser, respectez les consignes de réglage et d'utilisation des commandes, ainsi que les procédures décrites dans le présent manuel.



**DANGER**

Certains produits à laser contiennent une diode à laser intégrée de classe 3A ou 3B. Prenez connaissance des informations suivantes:

Rayonnement laser lorsque le carter est ouvert. Evitez toute exposition directe au rayon laser. Evitez de regarder fixement le faisceau ou de l'observer à l'aide d'instruments optiques.



≥18 kg (37 lbs)



≥32 kg (70.5 lbs)



≥55 kg (121.2 lbs)

**ATTENTION:**

**Soulevez la machine avec précaution.**



**ATTENTION:**

L'interrupteur de contrôle d'alimentation de l'unité et l'interrupteur dubloc d'alimentation ne coupent pas le courant électrique alimentant l'unité. En outre, le système peut être équipé de plusieurs cordons d'alimentation. Pour mettre l'unité hors tension, vous devez déconnecter tous les cordons de la source d'alimentation.





## VORSICHT

An Netz-, Telefon- und Datenleitungen können gefährliche Spannungen anliegen.

### Aus Sicherheitsgründen:

- Bei Gewitter an diesem Gerät keine Kabel anschließen oder lösen. Ferner keine Installations-, Wartungs- oder Rekonfigurationsarbeiten durchführen.
- Gerät nur an eine Schutzkontaktsteckdose mit ordnungsgemäß geerdetem Schutzkontakt anschließen.
- Alle angeschlossenen Geräte ebenfalls an Schutzkontaktsteckdosen mit ordnungsgemäß geerdetem Schutzkontakt anschließen.
- Die Signalkabel nach Möglichkeit einhändig anschließen oder lösen, um einen Stromschlag durch Berühren von Oberflächen mit unterschiedlichem elektrischem Potenzial zu vermeiden.
- Geräte niemals einschalten, wenn Hinweise auf Feuer, Wasser oder Gebäudeschäden vorliegen.
- Die Verbindung zu den angeschlossenen Netzkabeln, Telekommunikationssystemen, Netzwerken und Modems ist vor dem Öffnen des Gehäuses zu unterbrechen, sofern in den Installations- und Konfigurationsprozeduren keine anders lautenden Anweisungen enthalten sind.
- Zum Installieren, Transportieren und Öffnen der Abdeckungen des Computers oder der angeschlossenen Einheiten die Kabel gemäß der folgenden Tabelle anschließen und abziehen.

Zum Anschließen der Kabel gehen Sie wie folgt vor	Zum Abziehen der Kabel gehen Sie wie folgt vor
<ol style="list-style-type: none"><li>1. Schalten Sie alle Einheiten AUS.</li><li>2. Schließen Sie erst alle Kabel an die Einheiten an.</li><li>3. Schließen Sie die Signalkabel an die Buchsen an.</li><li>4. Schließen Sie die Netzkabel an die Steckdose an.</li><li>5. Schalten Sie die Einheit EIN.</li></ol>	<ol style="list-style-type: none"><li>1. Schalten Sie alle Einheiten AUS.</li><li>2. Ziehen Sie zuerst alle Netzkabel aus den Netzsteckdosen.</li><li>3. Ziehen Sie die Signalkabel aus den Buchsen.</li><li>4. Ziehen Sie alle Kabel von den Einheiten ab.</li></ol>



#### CAUTION:

Eine verbrauchte Lithiumbatterie nur durch eine Batterie mit der Teilenummer 33F8354 oder eine gleichwertige, vom Hersteller empfohlene Batterie ersetzen. Enthält das System ein Modul mit einer Lithiumbatterie, dieses nur durch ein Modul desselben Typs und von demselben Hersteller ersetzen. Die Batterie enthält Lithium und kann bei unsachgemäßer Verwendung, Handhabung oder Entsorgung explodieren.

Die Batterie nicht:

- mit Wasser in Berührung bringen.
- über 100 C erhitzen.
- reparieren oder zerlegen.

Die örtlichen Bestimmungen für die Entsorgung von Sondermüll beachten.



#### ACHTUNG:

Bei der Installation von Lasergeräten (wie CD-ROM-Laufwerken, DVD-Laufwerken, Einheiten mit Lichtwellenleitertechnik oder Sendern) Folgendes beachten:

- Die Abdeckungen nicht entfernen. Durch Entfernen der Abdeckungen des Lasergeräts können gefährliche Laserstrahlungen freigesetzt werden. Das Gerät enthält keine zu wartenden Teile.
- Werden Steuerelemente, Einstellungen oder Durchführungen von Prozeduren anders als hier angegeben verwendet, kann gefährliche Laserstrahlung auftreten.



#### VORSICHT

Einige Lasergeräte enthalten eine Laserdiode der Klasse 3A oder 3B. Beachten Sie Folgendes:

Laserstrahlung bei geöffneter Verkleidung. Nicht in den Strahl blicken. Keine Lupen oder Spiegel verwenden. Strahlungsbereich meiden.



≥18 kg



≥32 kg



≥55 kg

**ACHTUNG:**

Arbeitsschutzrichtlinien beim Anheben der Maschine beachten.



**ACHTUNG:**

Mit dem Netzschalter an der Einheit und am Netzteil wird die Stromversorgung für die Einheit nicht unterbrochen. Die Einheit kann auch mit mehreren Netzkabeln ausgestattet sein. Um die Stromversorgung für die Einheit vollständig zu unterbrechen, müssen alle zum Gerät führenden Netzkabel vom Netz getrennt werden.







#### סכנה

זרם חשמלי המועבר בכבלי חשמל, טלפון ותקשורת הוא מסוכן.

כדי להימנע מסכנת התחשמלות:

- אל תחברו או תנתקו כבלים, ואל תבצעו פעולת התקנה, תחזוקה או שינוי תצורה במוצר זה במהלך סופת ברקים.
- חברו את כל כבלי החשמל לשקע חשמל מחווט ומוארק כהלכה.
- חברו כל ציוד שיחובר למוצר זה לשקעי חשמל מחוטים כהלכה.
- במידת האפשר, השתמשו ביד אחת בלבד לחיבור או לניתוק של כבלי אותות.
- לעולם אל תפעילו ציוד כלשהו כאשר יש עדות לנזק מבני או לנזק כתוצאה מאש או ממים.
- נתקו את כבלי החשמל, מערכות התקשורת, התקני הרשת והמודמים המחוברים לפני פתיחת כיסויי ההתקן, אלא אם הליכי ההתקנה וקביעת התצורה מורים אחרת.
- בעת התקנה, העברה או פתיחת כיסויים במוצר זה או בהתקנים המחוברים, חברו ונתקו את הכבלים כמתואר בטבלה שלהלן.

כדי לחבר	כדי לנתק
1. כבו הכל.	1. כבו הכל.
2. ראשית, חברו את כל הכבלים להתקנים.	2. ראשית, נתקו את כבלי החשמל מהשקעים.
3. חברו את כבלי האותות למחברים.	3. נתקו את כבלי האותות מהמחברים.
4. חברו את כבלי החשמל לשקעים.	4. הסירו את כל הכבלים מההתקנים.
5. הפעילו את ההתקן.	



זהירות:

בעת החלפת סוללת הליתיום, השתמשו רק בסוללה בעלת מק"ט 33F8354 או בסוג תואם שהומלץ על ידי היצרן. אם המערכת כוללת מודול המכיל סוללת ליתיום, החליפו אותו רק במודול מאותו סוג ומתוצרת אותו יצרן. הסוללה מכילה ליתיום, ועלולה להתפוצץ אם לא משתמשים ומטפלים בה או משליכים אותה כראוי.

לעולם:

- אל תטבלו במים

- אל תחממו לטמפרטורה הגבוהה מ-100°C (212°F)

- אל תתקנו או תפרקו

השליכו את הסוללה כנדרש לפי התקנות והחוקים המקומיים.



זהירות:

בעת התקנת מוצרי לייזר (כגון כונני תקליטורים ו-DVD, התקני סיב אופטי או משדרים), שימו לב לאזהרות הבאות:

- אל תסירו את הכיסויים. הסרת הכיסויים של מוצר הלייזר עלולה לגרום לחשיפה לקרינת לייזר מסוכנת. אין חלקים ברי טיפול בתוך ההתקן.

- שינויים, שימוש בבקרות או ביצוע הליכים אחרים מאלה המתוארים כאן, עלולים לגרום לחשיפה לקרינה מסוכנת.



סכנה

מוצרי לייזר מסוימים מכילים דיודת לייזר מסוג Class 3A או Class 3B. שימו לב לאזהרה הבאה:

כאשר הוא פתוח, המוצר פולט קרינת לייזר. אל תביטו ישירות בקרן, אל תביטו ישירות בעזרת ציוד אופטי, והימנעו מחשיפה לקרן.



18 ≤ ק"ג (37 ליב')



32 ≤ ק"ג (70.5 ליב')



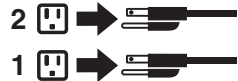
55 ≤ ק"ג (121.2 ליב')

זהירות:  
השתמשו בהליכים  
הנאותים בעת  
הרמת הציוד.



זהירות:

לחצן הפעלה של ההתקן ומתג הפעלה של ספק החשמל אינם מפסיקים את זרם החשמל המסופק להתקן. בנוסף, ההתקן עשוי לכלול יותר מכבל חשמל אחד. כדי לסלק את כל הזרם החשמלי מההתקן, ודאו שכל כבלי החשמל מנותקים ממקור החשמל.





## PERICOLO

La corrente elettrica proveniente dai cavi di alimentazione, del telefono e di comunicazione può essere pericolosa.

**Per evitare il rischio di scosse elettriche:**

- **Non collegare o scollegare qualsiasi cavo oppure effettuare l'installazione, la manutenzione o la riconfigurazione del prodotto durante un temporale.**
- **Collegare tutti i fili elettrici a una presa di alimentazione correttamente cablata e dotata di messa a terra.**
- **Collegare alle prese elettriche appropriate tutte le apparecchiature che verranno utilizzate per questo prodotto.**
- **Se possibile, utilizzare solo una mano per collegare o scollegare i cavi di segnale.**
- **Non accendere assolutamente apparecchiature in presenza di incendi, perdite d'acqua o danno strutturale.**
- **Scollegare i cavi di alimentazione, i sistemi di telecomunicazione, le reti e il modem prima di aprire i coperchi del dispositivo, salvo istruzioni contrarie relative alle procedure di installazione e configurazione.**
- **Collegare e scollegare i cavi come descritto nella seguente tabella quando vengono effettuate operazioni di installazione, spostamento o apertura dei coperchi di questo prodotto o delle unità collegate.**

Per collegarsi	Per scollegarsi
1. <b>SPEGNERE</b> le apparecchiature.	1. <b>SPEGNERE</b> le apparecchiature.
2. Innanzitutto, collegare tutti i cavi alle unità.	2. Innanzitutto, rimuovere i cavi di alimentazione dalla presa.
3. Collegare i cavi di segnale ai connettori.	3. Rimuovere i cavi di segnale dai connettori.
4. Collegare i cavi di alimentazione alla presa.	4. Rimuovere tutti i cavi dalle unità.
5. Accendere l'unità.	



#### ATTENZIONE:

Quando si sostituisce la batteria al litio, utilizzare solo il Numero parte 33F8354 o un tipo di batteria equivalente consigliato dal produttore. Se sul sistema è presente un modulo che contiene una batteria al litio, sostituirlo solo con un tipo di modulo dello stesso tipo della stessa casa di produzione. La batteria contiene litio e può esplodere se usata, maneggiata o smaltita in modo non corretto.

*Non:*

- Gettare o immergere la batteria nell'acqua
- Riscaldarla ad una temperatura superiore ai 100 gradi C (212 gradi F)
- Smontarla, ricaricarla o tentare di ripararla

Le batterie usate vanno smaltite in accordo alla normativa in vigore (DPR 915/82 e successive disposizioni e disposizioni locali).



#### ATTENZIONE:

Quando vengono installati prodotti laser (quali CD-ROM, unità DVD-ROM, unità a fibre ottiche o trasmettenti), tener presente quanto segue:

- Non rimuovere gli sportelli. L'apertura di un'unità laser può determinare l'esposizione a radiazioni laser pericolose. All'interno dell'unità non vi sono parti su cui effettuare l'assistenza tecnica.
- L'utilizzo di controlli, regolazioni o l'esecuzione di procedure non descritti nel presente manuale possono provocare l'esposizione a radiazioni pericolose.



#### PERICOLO

Alcune unità laser contengono un diodo laser di Classe 3A o Classe 3B. Tener presente quanto segue:

Aperto l'unità vengono emesse radiazioni laser. Non fissare il fascio, non guardarlo direttamente con strumenti ottici ed evitare l'esposizione al fascio.



≥18 kg



≥32 kg



≥55 kg

**ATTENZIONE:**

**Prestare attenzione nel sollevare l'apparecchiatura.**



**ATTENZIONE:**

**Il pulsante di controllo dell'alimentazione presente sull'unità e l'interruttore dell'alimentatore non disattivano l'alimentazione corrente fornita all'unità. E' possibile che l'unità disponga di più cavi di alimentazione. Per disattivare l'alimentazione dall'unità, accertarsi che tutti i cavi di alimentazione siano scollegati dalla fonte di alimentazione.**





**위험**

전원, 전화, 통신 케이블의 전류는 위험합니다.

**감전의 위험을 피하려면 다음과 같이 하십시오.**

- 번개가 치는 날에는 케이블을 연결 또는 분리하거나 본 제품을 설치, 보수, 재구성하지 마십시오.
- 모든 전원 코드는 올바르게 접지된 전기 콘센트에 연결하십시오.
- 본 제품에 연결될 장치는 올바르게 배선된 콘센트에 연결하십시오.
- 신호 케이블을 연결 또는 분리할 때 가능하면 한 손만을 사용하십시오.
- 불 또는 물로 인한 손상이나 구조적인 손상이 있을 경우 장치의 전원을 절대 켜지 마십시오.
- 설치 및 구성 과정에 별도의 지시 사항이 없는 경우, 장치의 덮개를 열기 전에 연결된 전원 코드, 원격 통신 시스템, 네트워크, 모뎀을 분리하십시오.
- 본 제품이나 연결된 장치를 설치, 이동하거나 덮개를 열 때 다음 표와 같은 순서로 케이블을 연결하거나 분리하십시오.

연결할 때:	분리할 때:
<ol style="list-style-type: none"> <li>1. 모든 장치의 전원을 끄십시오.</li> <li>2. 먼저 모든 케이블을 장치에 연결하십시오.</li> <li>3. 커넥터에 신호 케이블을 연결하십시오.</li> <li>4. 콘센트에 전원 코드를 연결하십시오.</li> <li>5. 장치의 전원을 켜십시오.</li> </ol>	<ol style="list-style-type: none"> <li>1. 모든 장치의 전원을 끄십시오.</li> <li>2. 먼저 콘센트에서 전원 코드를 분리하십시오.</li> <li>3. 커넥터에서 신호 케이블을 분리하십시오.</li> <li>4. 장치에서 모든 케이블을 분리하십시오.</li> </ol>



**주의:**

배터리를 교환할 때는 Part Number 33F8354 또는 제조업체에서 지정한 동일한 종류의 제품을 사용하십시오. 사용자의 시스템이 리튬 배터리를 포함하는 모듈일 경우, 동일한 제조업체에서 동일한 모듈 유형으로 생산된 제품으로 교체하십시오. 배터리에는 리튬이 함유되어 있어 잘못 사용, 취급 또는 폐기할 경우 폭발의 위험이 있습니다.

사고를 방지하려면 다음 사항을 준수하십시오.

- 배터리를 물 속에 던지거나 침수시키지 마십시오.
- 100℃(212°F) 이상 가열하지 마십시오.
- 수리하거나 분해하지 마십시오.

배터리를 폐기할 때는 법령 또는 회사의 안전 수칙에 따라 폐기하십시오.



**주의:**

CD-ROM, DVD-ROM 장치, 광섬유 장치 또는 송신 장치와 같은 레이저 제품을 설치할 때, 다음과 같은 취급 주의사항을 참고하십시오.

- 덮개를 열지 마십시오. 덮개를 열면 레이저 복사 에너지에 노출될 위험이 있습니다. 장치 내부에는 사용자가 조정하거나 수리할 수 있는 부품이 없습니다.
- 규정된 것 이외의 절차 수행, 제어 조정 등의 행위로 인해 해로운 레이저 복사에 노출될 수 있습니다.



**위험**

일부 장비에는 임베디드 클래스 3A 또는 클래스 3B 레이저 다이오드가 있습니다. 다음 주의사항에 유의하십시오.

드라이브가 열리면 레이저 복사 에너지가 방출됩니다. 광선이 눈에 직접 쏘이지 않도록 하십시오. 나안 또는 광학 기구를 착용한 상태에서 광선을 직접 바라보지 않도록 하십시오.



≥ 18 kg (37 lbs)



≥ 32 kg (70.5 lbs)



≥ 55 kg (121.2 lbs)

**주의:**

제품을 들어 올릴 때 안전 규제를 따르십시오.



**주의:**

장치의 전원 제어 버튼 및 전원 공급 장치의 전원 스위치를 사용하여 장치에 공급되는 전기를 차단하지 마십시오. 장치는 둘 이상의 코드를 가지고 있을 수 있습니다. 장치에서 모든 전원을 차단하려면 콘센트에서 코드가 모두 분리되어 있는지 확인하십시오.







## PELIGRO

La corriente eléctrica procedente de cables de alimentación, teléfonos y cables de comunicación puede ser peligrosa.

Para evitar el riesgo de descarga eléctrica:

- No conecte ni desconecte los cables ni realice ninguna tarea de instalación, mantenimiento o reconfiguración de este producto durante una tormenta eléctrica.
- Conecte todos los cables de alimentación a tomas de corriente debidamente cableadas y conectadas a tierra.
- Cualquier equipo que se conecte a este producto también debe conectarse a tomas de corriente debidamente cableadas.
- Siempre que sea posible, utilice una sola mano para conectar o desconectar los cables de señal.
- No encienda nunca un equipo cuando hay señales de fuego, agua o daños estructurales.
- Desconecte los cables de alimentación, los sistemas de telecomunicaciones, las redes y los módems conectados antes de abrir las cubiertas de los dispositivos, a menos que se indique lo contrario en los procedimientos de instalación y configuración.
- Conecte y desconecte los cables, como se describe en la tabla siguiente, cuando instale, mueva o abra las cubiertas de este producto o de los dispositivos conectados.

Para conectar	Para desconectar
<ol style="list-style-type: none"><li>1. APÁGUELO todo.</li><li>2. En primer lugar, conecte todos los cables a los dispositivos.</li><li>3. Conecte los cables de señal a los conectores.</li><li>4. Enchufe los cables de alimentación a las tomas de corriente.</li><li>5. Encienda el dispositivo.</li></ol>	<ol style="list-style-type: none"><li>1. APÁGUELO todo.</li><li>2. En primer lugar, desenchufe los cables de alimentación de las tomas de corriente.</li><li>3. Desconecte los cables de señal de los conectores.</li><li>4. Desconecte todos los cables de los dispositivos.</li></ol>



#### PRECAUCIÓN:

Cuando sustituya una batería de litio, utilice solamente una batería número de pieza 33F8354 u otra de tipo equivalente recomendada por el fabricante. Si su sistema dispone de un módulo que contiene una batería de litio, reemplácelo sólo con el mismo tipo de módulo, del mismo fabricante. La batería contiene litio y puede explotar si no se utiliza, manipula o desecha correctamente.

*No debe:*

- Arrojarla al agua o sumergirla en ella
- Exponerla a temperaturas superiores a 100°C (212°F)
- Repararla o desmontarla

Deshágase de la batería según especifiquen las leyes o normas locales.



#### PRECAUCIÓN:

Cuando haya productos láser (como unidades de CD-ROM, unidades de DVD, dispositivos de fibra óptica o transmisores) instalados, tenga en cuenta lo siguiente:

- No quite las cubiertas. Si quita las cubiertas del producto láser, podría quedar expuesto a radiación láser peligrosa. Dentro del dispositivo no existe ninguna pieza que requiera servicio técnico.
- Si usa controles o ajustes o realiza procedimientos que no sean los especificados aquí, podría exponerse a radiaciones peligrosas.



#### PELIGRO

Algunos productos láser tienen incorporado un diodo láser de clase 3A o clase 3B. Tenga en cuenta lo siguiente:

Cuando se abre, queda expuesto a radiación láser. No mire directamente al rayo láser, ni siquiera con instrumentos ópticos, y evite exponerse directamente al rayo láser.



≥18 kg



≥32 kg



≥55 kg

**PRECAUCIÓN:**

Adopte procedimientos seguros al levantar el equipo.



**PRECAUCIÓN:**

El botón de control de alimentación del dispositivo y el interruptor de alimentación de la fuente de alimentación no desconectan la corriente eléctrica suministrada al dispositivo. Además, el dispositivo podría tener más de un cable de alimentación. Para suprimir toda la corriente eléctrica del dispositivo, asegúrese de que todos los cables de alimentación estén desconectados de la toma de corriente.





---

## Chapter 3. General information

This chapter provides general information that applies to all machine types supported by this publication.

---

### The ThinkVantage™ Productivity Center program

Use the ThinkVantage Productivity Center program for general information about the use, operation, and maintenance of the computer. The ThinkVantage Productivity Center program also contains information to help solve problems and get repair service or other technical assistance. The ThinkVantage Productivity Center program is preinstalled on most ThinkCentre products.

---

### Additional information resources

If you have Internet access, the most up-to-date information for your computer is available from the World Wide Web.

You can find the following information:

- CRU removal and installation instructions
- Publications
- Troubleshooting information
- Parts information
- Downloads and drivers
- Links to other useful sources of information

To access this information, point your browser to <http://www.lenovo.com/support/>.

---

## Specifications

This section lists the physical specifications for your computer.

## Types 6008, 6068, 6074, 9012, 9018, 9087, 9163, 9172, and 9193

This section lists the physical specifications for your computer.

### Dimensions

Width: 325 mm (12.8 in.)

Height: 107 mm (4.21 in.)

Depth: 410 mm (16.14 in.)

### Weight

Minimum configuration as shipped: 8.2 kg (18 lbs)

Maximum configuration: 10.4 kg (23 lbs)

### Environment

Air temperature:

Operating at 0 - 3000 ft (914.4 m): 10° to 35°C (50° to 95°F)

Non-operating: -40° to 60°C (-40° to 140°F)

Humidity:

Operating: 10% to 80% (10% per hour, non-condensing)

Non-operating: 10% to 90% (10% per hour)

Maximum altitude:

Operating: -50 to 10,000 ft (-15.2 to 3048 m)

Non-operating: -50 to 35,000 ft (-15.2 to 10,668 m)

**Electrical input:** Some models have a switchable power supply that supports both low and high input voltage ranges. Some models do not have a switch and support only a low or high input voltage range. See "Voltage-selection switch" on page 5 for additional information.

Input voltage:

Low range:

Minimum: 100V ac

Maximum: 127V ac

Input frequency: 50/60 Hz

Voltage switch setting: 115V ac (some models)

High range:

Minimum: 200V ac

Maximum: 240V ac

Input frequency: 50/60 Hz

Voltage switch setting: 230V ac (some models)

## Types 6010, 6069, 6075, 6081, 6086, 9013, 9019, 9088, 9160, 9164, 9174, 9194, 9304, 9323, 9326, 9978, and 9979

This section lists the physical specifications.

### Dimensions

Height: 400 mm (15.7 in.)

Width: 175 mm (6.9 in.)

Depth: 432 mm (17.0 in.)

### Weight

Minimum configuration: 8.17 kg (18 lb)

Maximum configuration: 10.21 kg (22.5 lb)

### Environment

Air temperature:

Operating at 0 - 3000 ft (914.4 m): 10° to 35°C (50° to 95°F)

Non-operating: -40° to 60°C (-40° to 140°F)

Humidity:

Operating: 10% to 80% (10% per hour, non-condensing)

Non-operating: 10% to 90% (10% per hour)

Maximum altitude:

Operating: -50 to 10,000 ft (-15.2 to 3048 m)

Non-operating: -50 to 35,000 ft (-15.2 to 10,668 m)

**Electrical input:** Some models have a switchable power supply that supports both low and high input voltage ranges. Some models do not have a switch and support only a low or high input voltage range. See “Voltage-selection switch” on page 5 for additional information.

Input voltage:

Low range:

Minimum: 100V ac

Maximum: 127V ac

Input frequency: 50/60 Hz

Voltage switch setting: 115V ac (some models)

High range:

Minimum: 200V ac

Maximum: 240V ac

Input frequency: 50/60 Hz

Voltage switch setting: 230V ac (some models)



---

## Chapter 4. General Checkout

### Attention

The drives in the computer you are servicing might have been rearranged or the drive startup sequence changed. Be extremely careful during write operations such as copying, saving, or formatting. Data or programs can be overwritten if you select an incorrect drive.

General error messages appear if a problem or conflict is found by an application program, the operating system, or both. For an explanation of these messages, refer to the information supplied with that software package.

Before replacing any FRUs, ensure that the latest level of BIOS is installed on the system. A down-level BIOS might cause false errors and unnecessary replacement of the system board. For more information on how to determine and obtain the latest level BIOS, see “BIOS levels” on page 441.

Use the following procedure to help determine the cause of the problem:

1. Power-off the computer and all external devices.
2. Check all cables and power cords.
3. Set all display controls to the middle position.
4. Power-on all external devices.
5. Power-on the computer.
  - Look for displayed error codes
  - Listen for beep codes
  - Look for readable instructions or a main menu on the display.If you **did not** receive the correct response, proceed to step 6.  
If you **do** receive the correct response, proceed to step 7.
6. Look at the following conditions and follow the instructions:
  - If you hear beep codes during POST, go to “Beep symptoms” on page 78.
  - If the computer displays a POST error, go to “POST error codes” on page 79.
  - If the computer hangs and no error is displayed, continue at step 7.
7. Run the Diagnostic programs. See Chapter 5, “Diagnostics,” on page 45.
  - If you receive an error, replace the part that the diagnostic program calls out or go to “Diagnostic error codes” on page 56.
  - If the test stops and you cannot continue, replace the last device tested.

---

### Problem determination tips

Due to the variety of hardware and software combinations that can be encountered, use the following information to assist you in problem determination. If possible, have this information available when requesting assistance from Service Support and Engineering functions.

- Machine type and model
- Processor or hard disk upgrades
- Failure symptom
  - Do diagnostics indicate a failure?

- What, when, where, single, or multiple systems?
- Is the failure repeatable?
- Has this configuration ever worked?
- If it has been working, what changes were made prior to it failing?
- Is this the original reported failure?
- Diagnostics version
  - Type and version level
- Hardware configuration
  - Print (print screen) configuration currently in use
  - BIOS level
- Operating system software
  - Type and version level

**Note:** To eliminate confusion, identical systems are considered identical only if they:

1. Are the exact machine type and models
2. Have the same BIOS level
3. Have the same adapters/attachments in the same locations
4. Have the same address jumpers/terminators/cabling
5. Have the same software versions and levels
6. Have the same Diagnostic Diskettes (version)
7. Have the same configuration options set in the system
8. Have the same setup for the operating system control files

Comparing the configuration and software set-up between “working and non-working” systems will often lead to problem resolution.

---

## Chapter 5. Diagnostics

Diagnostic programs are used to test hardware components of your computer and report operating-system-controlled settings that can cause hardware failures. There are two diagnostic programs preinstalled on your computer to help you diagnose problems:

- PC-Doctor for Windows (used when diagnosing problems while running the Windows operating system)
- PC-Doctor for Windows PE (used when your Windows operating system will not start)

### Notes:

1. You can also download the latest version of the PC-Doctor for Windows and PC-Doctor for DOS diagnostic programs from <http://www.lenovo.com/support/>.
2. If you are unable to isolate and repair the problem yourself by running the applicable version of PC-Doctor, click the Save Button in the PC-Doctor-log-file display. You will need to have all problem-related log files available when you speak to a Lenovo technical support representative.

---

### PC-Doctor for Windows

PC-Doctor for Windows is a diagnostic program that works through the Windows operating system. The PC-Doctor for Windows diagnostic program enables you to view symptoms and solutions for computer problems, access the Lenovo troubleshooting center, update system drivers, and review system information.

To run PC-Doctor for Windows, open the Start menu from the Windows desktop, select **All Programs**, select **PC-Doctor for Windows**, and click **PC-Doctor for Windows**. Follow the instructions on the screen. For additional information about running the diagnostic program, refer to the PC-Doctor for Windows help system.

If you still suspect a problem after PC-Doctor for Windows runs successfully, run PC-Doctor for DOS or PC-Doctor for Windows PE to help you diagnose the computer problem.

PC Doctor for Windows also has problem determination aids that determine software and usage problems.

---

### PC-Doctor for Windows PE

The PC-Doctor for Windows PE diagnostic program is part of the Rescue and Recovery workspace on each Lenovo computer. Use PC-Doctor for Windows PE, if you are unable to start the Windows operating system or if PC-Doctor for Windows has not been successful in isolating a possible problem.

### Running diagnostics from the Rescue and Recovery workspace

You can run the PC-Doctor for Windows PE diagnostic program from the Rescue and Recovery workspace. To run diagnostics from the Rescue and Recovery workspace, use the following procedure:

1. Shut down the operating system and turn off the computer.
2. Repeatedly press and release the F11 key as you turn on the computer.
3. When you hear beeps or see a logo screen, stop pressing the F11 key. The Rescue and Recovery workspace opens.
4. From the Rescue and Recovery workspace, select **Diagnose hardware**.
5. The diagnostic program opens automatically. Select the diagnostic test you want to run. Press the F1 key for additional help.
6. Follow the instructions on the screen.

**Note:** Rescue media includes PC-Doctor for Windows PE. For more information about rescue media, see the *User Guide* for the computer.

---

## PC-Doctor for DOS

Use PC-Doctor for DOS, if you are unable to start the Windows operating system or if PC-Doctor for Windows has not been successful in isolating a possible problem. You can run PC-Doctor for DOS from a diagnostic CD image or diagnostic diskettes that have been created.

**Note:** It is important to create a diagnostic CD image or diagnostic diskettes in case PC-Doctor for Windows PE cannot be run from the Rescue and Recovery workspace.

### Creating a diagnostic CD image

To create a diagnostic CD image, download a self-starting bootable CD image (known as an .iso image) of the diagnostic program from <http://www.lenovo.com/support/>. After you download the image, you can create the CD using any CD burning software.

If the computer does not have a CD burner or you do not have Internet access, see "Creating diagnostic diskettes."

### Creating diagnostic diskettes

To create diagnostic diskettes, download the PC-Doctor for DOS diagnostic program from <http://www.lenovo.com/support/> onto two blank, formatted diskettes.

If you do not have Internet access, create the diagnostic diskettes using the following procedure:

**Note:** You will need a diskette drive on the computer or a USB diskette drive to complete this procedure.

1. Shut down the operating system and turn off the computer.
2. If you are using a USB diskette drive, plug it into the computer.
3. Repeatedly press and release the F11 key as you turn on the computer.
4. When you hear beeps or see a logo screen, stop pressing the F11 key. The Rescue and Recovery workspace opens.

**Note:** For some models, press the Esc key to enter Rescue and Recovery.

5. From the Rescue and Recovery workspace, select **Create diagnostic disks**.
6. Follow the instructions on the screen.

7. When prompted, insert a blank, formatted diskette into the diskette drive and continue to follow the instructions on the screen.
8. When the operation is complete, remove the diskette and click **Quit**.
9. Insert another blank, formatted diskette into the diskette drive and continue to follow the instructions on the screen.
10. When the operation is complete, remove the diskette and click **Quit**.

## Running diagnostics from the CD or diskettes

To run diagnostics from the diagnostic CD image or diagnostic diskettes that you created, use the following procedure:

1. Make sure the computer is turned off.
2. If you are running diagnostics from diskettes using a USB diskette drive, plug in the USB device.
3. Insert the CD into the optical drive or the first diagnostic diskette into the diskette drive.
4. Restart the computer.

**Note:** If the diagnostic program does not start, you might not have your optical drive or diskette drive set as a startable device. See “Selecting a startup device” on page 52 for instructions on how to change the startup device.

5. When the diagnostics program opens, follow the instructions on the screen.

**Note:** If you are running diagnostics from a diskette, when prompted, remove the first diskette and insert the second diskette.

6. When the program finishes, be sure to remove the CD or diskette from the drive.
7. Select the diagnostic test you want to run. Press the F1 key for additional help.

## Navigating through the diagnostics programs

Use the cursor movement keys to navigate within the menus.

- The **Enter** key is used to select a menu item.
- The **Esc** key is used to back up to the previous menu.
- For online help select **F1**.

## Running tests

There are four ways to run the diagnostic tests.

- Using the cursor movement keys, highlight **Run Normal Test** or **Run Quick Test** from the Diagnostics menu and then press **Enter**.

This automatically runs a pre-defined group of tests from each test category.

**Run Normal Test** runs a more extensive set of tests than does **Run Quick Test** and takes longer to complete.

- Press **F5** to automatically run all selected tests in all categories.
- From within a test category, press **Ctrl-Enter** to automatically run only the selected tests in that category.
- Using the cursor movement keys, highlight a single test within a test category, and then press **Enter**. This runs only that test.

Press **Esc** at any time to stop the testing process.

Test results (N/A, PASSED, FAILED, ABORTED) are displayed in the field beside the test description and in the test log. See “Viewing the test log” on page 49.

To select one or more tests, use the following procedure.

1. Open the corresponding test category.
2. Using the cursor movement keys, highlight the desired test.
3. Press the space bar.  
A selected test is marked by >>. Pressing the space bar again de-selects a test and removes the >>.
4. Repeat steps 2 and 3 above to select all desired tests.

## Test results

Diagnostics test results produce the following error code format:

Function Code	Failure Type	DeviceID	Date	ChkDigits	Text
---------------	--------------	----------	------	-----------	------

- **Function Code:**  
Represents the feature or function within the PC.
- **Failure Type:**  
Represents the type of error encountered.
- **DeviceID:**  
Contains the component’s unit-ID which corresponds to either a fixed disk drive, removable media drive, serial or parallel port, processor, specific RIMM, or a device on the PCI bus.
- **Date:**  
Contains the date when the diagnostic test was run. The date is retrieved from CMOS and displayed using the YYYYMMDD format.
- **ChkDigits:**  
Contains a 2-digit check-digit value to ensure the following:
  - Diagnostics were run on the specified date.
  - Diagnostics were run on the specified computer.
  - The diagnostic error code is recorded correctly.
- **Text:**  
Description of the error.

**Note:** See “Diagnostic error codes” on page 56 for error code listings.

## Quick and Full erase - hard drive

The diagnostics program offers two hard drive format utilities:

- Quick Erase Hard Drive
- Full Erase Hard Drive

The Quick Erase Hard Drive provides a DOS utility that performs the following:

- Destroys the Master Boot Record (MBR) on the hard drive.
- Destroys all copies of the FAT Table on all partitions (both the master and backup).
- Destroys the partition table.
- Provides messages that warn the user that this is a non-recoverable process.

The Full Erase Hard Drive provides a DOS utility that performs the following:

- Performs all the steps in Quick Erase.
- Provides a DOS utility that writes random data to all sectors of the hard drive.
- Provides an estimate of time to completion along with a visual representation of completion status.
- Provides messages that warn the user about non-recoverable process.

<b>Important:</b> Make sure that all data is backed up before using the Quick or Full Erase functions.
--

To select the Quick Erase or Full Erase Hard Drive utility, use the following procedure:

1. Select the UTILITY option on the toolbar and press **Enter**.
2. Select either the QUICK ERASE or FULL ERASE HARD DISK option and follow the instructions.

## Viewing the test log

Errors reported by the diagnostic test will be displayed by the program as a failed test.

To view details of a failure or to view a list of test results, use the following procedure from any test category screen:

1. Press **F3** to activate the log file.
2. Press **F3** again to save the file to diskette or press **F2** to print the file.





---

## Chapter 6. Using the Setup Utility

The Setup Utility program is used to view and change the configuration settings of the computer, regardless of which operating system you are using. However, the operating-system settings might override any similar settings in the Setup Utility program.

---

### Starting the Setup Utility program

To start the Setup Utility program, do the following:

1. If the computer is already on when you start this procedure, shut down the operating system and turn off the computer.
2. Press and hold the F1 key then turn on the computer. When you hear multiple beeps, release the F1 key.

**Notes:**

- a. If you are using a USB keyboard and the Setup Utility program does not display using this method, repeatedly press and release the F1 key rather than leaving it pressed when turning on the computer.
- b. If a user password or an administrator password has been set, the Setup Utility program menu is not displayed until you type your password. For more information, see “Using passwords.”

The Setup Utility might start automatically when POST detects that hardware has been removed or new hardware has been installed in the computer.

---

### Viewing and changing settings

The Setup Utility program menu lists items that identify system configuration topics. To view or change settings, see “Starting the Setup Utility program.”

When working with the Setup Utility program menu, you must use the keyboard. The keys used to perform various tasks are displayed at the bottom of each screen.

---

### Using passwords

By using the Setup Utility program, you can set passwords to prevent unauthorized persons from gaining access to the computer and data. See “Starting the Setup Utility program.” The following types of passwords are available:

- User Password
- Administrator Password

You do not have to set any passwords to use the computer. However, if you decide to set any passwords, read the following sections.

#### Password considerations

A password can be any combination of up to twelve characters (a-z and 0-9) and symbols. For security reasons, it is a good idea to use a strong password that cannot be easily compromised. Passwords should adhere to the following rules:

- Have at least eight characters in length
- Contain at least one alphabetic character and one numeric character

- Setup Utility program and hard disk drive passwords are not case sensitive
- Not be your name or your user name
- Not be a common word or a common name
- Be significantly different from your previous password

## User Password

When a User Password is set, the computer cannot be used until a valid password is typed from the keyboard.

## Administrator Password

When an Administrator Password is set, it deters unauthorized persons from changing configuration settings. If you are responsible for maintaining the settings of several computers, you might want to set an Administrator Password.

After you set an Administrator Password, a password prompt is displayed each time you try to access the Setup Utility program.

If both the user and administrator passwords are set, you can type either password. However, to change any configuration settings, you must use your administrator password.

## Setting, changing, and deleting a password

To set, change, or delete a password, do the following:

**Note:** A password can be any combination of up to twelve characters (A- Z, a-z, and 0-9). For more information, see “Password considerations” on page 51.

1. Start the Setup Utility program (see “Starting the Setup Utility program” on page 51).
2. From the Setup Utility program menu, select **Security**.
3. Select **Set Passwords**. Read the information displayed on the right side of the screen.

## Selecting a startup device

If the computer does not start up (boot) from a device such as the CD-ROM, diskette, or hard disk as expected, use one of the following procedures to select a startup device.

### Selecting a temporary startup device

Use this procedure to startup from any boot device.

**Note:** Not all CDs, hard disks, and diskettes are bootable.

1. Turn off the computer.
2. Press and hold the F12 key then turn on the computer. When the Startup Device Menu appears, release the F12 key.

**Note:** If you are using a USB keyboard and the Startup Device Menu does not display using this method, repeatedly press and release the F12 key rather than leaving it pressed when turning on the computer.

3. Select the desired startup device from the Startup Device Menu and press Enter to begin.

**Note:** Selecting a startup device from the Startup Device menu does not permanently change the startup sequence.

## Selecting or changing the startup device sequence

To view or permanently change the configured startup device sequence, do the following:

1. Start the Setup Utility program (see “Starting the Setup Utility program” on page 51).
2. Select **Startup**.
3. Select **Startup Sequence**. See the information displayed on the right side of the screen.
4. Select the devices for the Primary Startup Sequence, the Automatic Startup Sequence, and the Error Startup Sequence.
5. Select **Exit** from the Setup Utility menu and then **Save Settings** or **Save and exit the Setup Utility**.

If you have changed these settings and want to return to the default settings, select **Load Default Settings** on the Exit menu.

---

## Advanced settings

On some computer models the Advanced settings menu includes a setting to Enable/Disable HyperThreading. This feature works only with HyperThreading-aware operating systems, such as Microsoft Windows XP and Windows Vista™. The default setting for HyperThreading is Enabled. However, if you select **Set Defaults** and are using an operating system other than Windows XP or Windows Vista, the computer performance might be degraded. Therefore, you should always set HyperThreading to Disabled unless you are sure your operating system supports HyperThreading.

---

## Exiting from the Setup Utility program

When you finish viewing or changing settings, press Esc to return to the Setup Utility program menu (you might have to press Esc several times). If you want to save the new settings, select **Save & Exit Setup** before you exit. Otherwise, your changes will not be saved.



---

## Chapter 7. Symptom-to-FRU Index

The Symptom-to-FRU index lists error symptoms and possible causes. The most likely cause is listed first. Always begin with Chapter 4, "General Checkout," on page 43. This index can also be used to help you decide which FRUs to have available when servicing a computer. If you are unable to correct the problem using this index, go to "Undetermined problems" on page 82.

**Notes:**

- If you have both an error message and an incorrect audio response, diagnose the error message first.
- If you cannot run the diagnostic tests or you get a diagnostic error code when running a test, but did receive a POST error message, diagnose the POST error message first.
- If you did not receive any error message, look for a description of your error symptoms in the first part of this index.

---

### Hard disk drive boot error

A hard disk drive boot error (error codes 1962 and I999030X) can have the following causes.

Error	FRU/Action
The start-up drive is not in the boot sequence in configuration.	Check the configuration and ensure the start-up drive is in the boot sequence.
No operating system installed on the boot drive.	Install an operating system on the boot drive.
The boot sector on the start-up drive is corrupted.	The drive must be formatted, do the following: <ol style="list-style-type: none"><li>1. Attempt to back-up the data on the failing hard disk drive.</li><li>2. Using the operating systems programs, format the hard disk drive.</li></ol>
The drive is defective.	Replace the hard disk drive.

---

### Power Supply Problems

If you suspect a power problem, use the following procedures.

Check/Verify	FRU/Action
Check the following for proper installation. <ul style="list-style-type: none"><li>• Power Cord</li><li>• On/Off Switch connector</li><li>• On/Off Switch Power Supply connector</li><li>• System Board Power Supply connectors</li><li>• Microprocessor(s) connection</li></ul>	Reseat connectors
Check the power cord for continuity.	Power Cord
Check the power-on switch for continuity.	Power-on Switch

## Diagnostic error codes

Refer to the following diagnostic error codes when using the diagnostic tests. See “Running tests” on page 47 for the specific type for information about the Diagnostic programs.

In the following index, X can represent any number.

Diagnostic Error Code	FRU/Action
000-000-XXX BIOS Test Passed	No action
000-002-XXX BIOS Timeout	<ol style="list-style-type: none"><li>1. Flash the system. See “Updating (flashing) BIOS from a CD-ROM or diskette” on page 442</li><li>2. System board</li></ol>
000-024-XXX BIOS Addressing test failure	<ol style="list-style-type: none"><li>1. Flash the system. See “Updating (flashing) BIOS from a CD-ROM or diskette” on page 442</li><li>2. System board</li></ol>
000-025-XXX BIOS Checksum Value error	<ol style="list-style-type: none"><li>1. Flash the system. See “Updating (flashing) BIOS from a CD-ROM or diskette” on page 442</li><li>2. System board</li></ol>
000-026-XXX FLASH data error	<ol style="list-style-type: none"><li>1. Flash the system. See “Updating (flashing) BIOS from a CD-ROM or diskette” on page 442</li><li>2. System board</li></ol>
000-027-XXX BIOS Configuration/Setup error	<ol style="list-style-type: none"><li>1. Run Setup</li><li>2. Flash the system. See “Updating (flashing) BIOS from a CD-ROM or diskette” on page 442</li><li>3. System board</li></ol>
000-034-XXX BIOS Buffer Allocation failure	<ol style="list-style-type: none"><li>1. Reboot the system</li><li>2. Flash the system. See “Updating (flashing) BIOS from a CD-ROM or diskette” on page 442</li><li>3. Run memory test</li><li>4. System board</li></ol>
000-035-XXX BIOS Reset Condition detected	<ol style="list-style-type: none"><li>1. Flash the system. See “Updating (flashing) BIOS from a CD-ROM or diskette” on page 442</li><li>2. System board</li></ol>
000-036-XXX BIOS Register error	<ol style="list-style-type: none"><li>1. Flash the system. See “Updating (flashing) BIOS from a CD-ROM or diskette” on page 442</li><li>2. System board</li></ol>

Diagnostic Error Code	FRU/Action
000-038-XXX BIOS Extension failure	<ol style="list-style-type: none"> <li>Flash the system. See "Updating (flashing) BIOS from a CD-ROM or diskette" on page 442</li> <li>Adapter card</li> <li>System board</li> </ol>
000-039-XXX BIOS DMI data error	<ol style="list-style-type: none"> <li>Flash the system. See "Updating (flashing) BIOS from a CD-ROM or diskette" on page 442</li> <li>System board</li> </ol>
000-195-XXX BIOS Test aborted by user	<b>Information only</b> Re-start the test, if necessary
000-196-XXX BIOS test halt, error threshold exceeded	<ol style="list-style-type: none"> <li>Press F3 to review the log file</li> <li>Re-start the test to reset the log file</li> </ol>
000-197-XXX BIOS test warning	<ol style="list-style-type: none"> <li>Make sure the component that is called out is connected and/or enabled. See Chapter 6, "Using the Setup Utility," on page 51</li> <li>Re-run test</li> <li>Replace the component that is called out in warning statement</li> <li>Replace the component under test</li> </ol>
000-198-XXX BIOS test aborted	<ol style="list-style-type: none"> <li>Make sure the component that is called out is connected and/or enabled. See Chapter 6, "Using the Setup Utility," on page 51</li> <li>Flash the system and retest. See "Updating (flashing) BIOS from a CD-ROM or diskette" on page 442</li> <li>Go to "Undetermined problems" on page 82</li> </ol>
000-199-XXX BIOS test failed, cause unknown	<ol style="list-style-type: none"> <li>Go to "Undetermined problems" on page 82</li> <li>Flash the system and re-test</li> <li>Replace component under function test</li> </ol>
000-250-XXX BIOS APM failure	<ol style="list-style-type: none"> <li>Flash the system. See "Updating (flashing) BIOS from a CD-ROM or diskette" on page 442</li> <li>System board</li> </ol>
000-270-XXX BIOS ACPI failure	<ol style="list-style-type: none"> <li>Flash the system. See "Updating (flashing) BIOS from a CD-ROM or diskette" on page 442</li> <li>System board</li> </ol>
001-000-XXX System Test Passed	No action
001-00X-XXX System Error	System board
001-01X-XXX System Error	System board

<b>Diagnostic Error Code</b>	<b>FRU/Action</b>
<b>001-024-XXX</b> System Addressing test failure	<b>System board</b>
<b>001-025-XXX</b> System Checksum Value error	<ol style="list-style-type: none"> <li>1. <b>Flash the system. See “Updating (flashing) BIOS from a CD-ROM or diskette” on page 442</b></li> <li>2. System board</li> </ol>
<b>001-026-XXX</b> System FLASH data error	<ol style="list-style-type: none"> <li>1. <b>Flash the system. See “Updating (flashing) BIOS from a CD-ROM or diskette” on page 442</b></li> <li>2. System board</li> </ol>
<b>001-027-XXX</b> System Configuration/Setup error	<ol style="list-style-type: none"> <li>1. <b>Run Setup</b></li> <li>2. Flash the system. See “Updating (flashing) BIOS from a CD-ROM or diskette” on page 442</li> <li>3. System board</li> </ol>
<b>001-032-XXX</b> System Device Controller failure	<b>System board</b>
<b>001-034-XXX</b> System Device Buffer Allocation failure	<ol style="list-style-type: none"> <li>1. <b>Reboot the system</b></li> <li>2. Flash the system. See “Updating (flashing) BIOS from a CD-ROM or diskette” on page 442</li> <li>3. Run memory test</li> <li>4. System board</li> </ol>
<b>001-035-XXX</b> System Device Reset condition detected	<b>System board</b>
<b>001-036-XXX</b> System Register error	<b>System board</b>
<b>001-038-XXX</b> System Extension failure	<ol style="list-style-type: none"> <li>1. <b>Adapter card</b></li> <li>2. System board</li> </ol>
<b>001-039-XXX</b> System DMI data structure error	<ol style="list-style-type: none"> <li>1. <b>Flash the system. See “Updating (flashing) BIOS from a CD-ROM or diskette” on page 442</b></li> <li>2. System board</li> </ol>
<b>001-040-XXX</b> System IRQ failure	<ol style="list-style-type: none"> <li>1. <b>Power-off/on system and re-test</b></li> <li>2. System board</li> </ol>
<b>001-041-XXX</b> System DMA failure	<ol style="list-style-type: none"> <li>1. <b>Power-off/on system and re-test</b></li> <li>2. System board</li> </ol>
<b>001-195-XXX</b> System Test aborted by user	<b>Information only</b> Re-start the test, if necessary
<b>001-196-XXX</b> System test halt, error threshold exceeded	<ol style="list-style-type: none"> <li>1. <b>Press F3 to review the log file</b></li> <li>2. Re-start the test to reset the log file</li> </ol>



Diagnostic Error Code	FRU/Action
<b>001-197-XXX</b> System test warning	<ol style="list-style-type: none"> <li>1. <b>Make sure the component that is called out is connected and/or enabled. See Chapter 6, "Using the Setup Utility," on page 51</b></li> <li>2. Re-run test</li> <li>3. Replace the component that is called out in warning statement</li> <li>4. Replace the component under test</li> </ol>
<b>001-198-XXX</b> System test aborted	<ol style="list-style-type: none"> <li>1. <b>If a component is called out, make sure it is connected and/or enabled. See Chapter 6, "Using the Setup Utility," on page 51</b></li> <li>2. Flash the system and retest. See "Updating (flashing) BIOS from a CD-ROM or diskette" on page 442</li> <li>3. Go to "Undetermined problems" on page 82</li> </ol>
<b>001-199-XXX</b> System test failed, cause unknown	<ol style="list-style-type: none"> <li>1. Go to "Undetermined problems" on page 82</li> <li>2. Flash the system and re-test</li> <li>3. Replace component under function test</li> </ol>
<b>001-250-XXX</b> System ECC error	<b>System board</b>
<b>001-254-XXX</b> <b>001-255-XXX</b> <b>001-256-XXX</b> <b>001-257-XXX</b> System DMA error	<b>System board</b>
<b>001-260-XXX</b> <b>001-264-XXX</b> System IRQ error	<b>System board</b>
<b>001-268-XXX</b> System IRQ1 failure	<ol style="list-style-type: none"> <li>1. <b>Device on IRQ1</b></li> <li>2. System board</li> </ol>
<b>001-269-XXX</b> System IRQ2 failure	<ol style="list-style-type: none"> <li>1. <b>Device on IRQ2</b></li> <li>2. System board</li> </ol>
<b>001-270-XXX</b> System IRQ3 failure	<ol style="list-style-type: none"> <li>1. <b>Device on IRQ3</b></li> <li>2. System board</li> </ol>
<b>001-271-XXX</b> System IRQ4 failure	<ol style="list-style-type: none"> <li>1. <b>Device on IRQ4</b></li> <li>2. System board</li> </ol>
<b>001-272-XXX</b> System IRQ5 failure	<ol style="list-style-type: none"> <li>1. <b>Device on IRQ5</b></li> <li>2. System board</li> </ol>
<b>001-273-XXX</b> System IRQ6 (diskette drive) failure	<ol style="list-style-type: none"> <li>1. <b>Diskette Cable</b></li> <li>2. Diskette drive</li> <li>3. System board</li> </ol>
<b>001-274-XXX</b> System IRQ7 failure	<ol style="list-style-type: none"> <li>1. <b>Device on IRQ7</b></li> <li>2. System board</li> </ol>

<b>Diagnostic Error Code</b>	<b>FRU/Action</b>
<b>001-275-XXX</b> System IRQ8 failure	1. <b>Device on IRQ8</b> 2. System board
<b>001-276-XXX</b> System IRQ9 failure	1. <b>Device on IRQ9</b> 2. System board
<b>001-277-XXX</b> System IRQ10 failure	1. <b>Device on IRQ10</b> 2. System board
<b>001-278-XXX</b> System IRQ11 failure	1. <b>Device on IRQ11</b> 2. System board
<b>001-279-XXX</b> System IRQ12 failure	1. <b>Device on IRQ12</b> 2. System board
<b>001-280-XXX</b> System IRQ13 failure	1. <b>Device on IRQ13</b> 2. System board
<b>001-281-XXX</b> System IRQ14 (hard disk drive) failure	1. <b>Hard disk drive cable</b> 2. Hard disk drive 3. System board
<b>001-282-XXX</b> System IRQ15 failure	1. <b>Device on IRQ15</b> 2. System board
<b>001-286-XXX</b> <b>001-287-XXX</b> <b>001-288-XXX</b> System Timer failure	<b>System board</b>
<b>001-292-XXX</b> System CMOS RAM error	1. <b>Run Setup and re-test</b> 2. System board
<b>001-293-XXX</b> System CMOS Battery	1. <b>CMOS Battery</b> 2. System board
<b>001-298-XXX</b> System RTC date/time update failure	1. <b>Flash the system. See “Updating (flashing) BIOS from a CD-ROM or diskette” on page 442</b> 2. System board
<b>001-299-XXX</b> System RTC periodic interrupt failure	<b>System board</b>
<b>001-300-XXX</b> System RTC Alarm failure	<b>System board</b>
<b>001-301-XXX</b> System RTC Century byte error	1. <b>Flash the system. See “Updating (flashing) BIOS from a CD-ROM or diskette” on page 442</b> 2. System board
<b>005-000-XXX</b> Video Test Passed	<b>No action</b>
<b>005-00X-XXX</b> Video error	1. <b>Video card, if installed</b> 2. System board

Diagnostic Error Code	FRU/Action
005-010-XXX 005-011-XXX 005-012-XXX 005-013-XXX Video Signal failure	<ol style="list-style-type: none"> <li>1. <b>Video card, if installed</b></li> <li>2. System board</li> </ol>
005-016-XXX Video Simple Pattern test failure	<ol style="list-style-type: none"> <li>1. <b>Video Ram</b></li> <li>2. Video card, if installed</li> <li>3. System board</li> </ol>
005-024-XXX Video Addressing test failure	<ol style="list-style-type: none"> <li>1. <b>Video card, if installed</b></li> <li>2. System board</li> </ol>
005-025-XXX Video Checksum Value error	<ol style="list-style-type: none"> <li>1. <b>Video card, if installed</b></li> <li>2. System board</li> </ol>
005-027-XXX Video Configuration/Setup error	<ol style="list-style-type: none"> <li>1. <b>Run Setup</b></li> <li>2. Video drivers update</li> <li>3. Video card, if installed</li> <li>4. System board</li> </ol>
005-031-XXX Video Device Cable failure	<ol style="list-style-type: none"> <li>1. <b>Video cable</b></li> <li>2. Monitor</li> <li>3. Video card, if installed</li> <li>4. System board</li> </ol>
005-032-XXX Video Device Controller failure	<ol style="list-style-type: none"> <li>1. <b>Video card, if installed</b></li> <li>2. System board</li> </ol>
005-036-XXX Video Register error	<ol style="list-style-type: none"> <li>1. <b>Video card, if installed</b></li> <li>2. System board</li> </ol>
005-038-XXX System BIOS extension failure	<ol style="list-style-type: none"> <li>1. <b>Video card, if installed</b></li> <li>2. System board</li> </ol>
005-040-XXX Video IRQ failure	<ol style="list-style-type: none"> <li>1. <b>Video card, if installed</b></li> <li>2. System board</li> </ol>
005-195-XXX Video Test aborted by user	<p><b>Information only</b> Re-start the test, if necessary</p>
005-196-XXX Video test halt, error threshold exceeded	<ol style="list-style-type: none"> <li>1. <b>Press F3 to review the log file</b></li> <li>2. Re-start the test to reset the log file</li> </ol>
005-197-XXX Video test warning	<ol style="list-style-type: none"> <li>1. <b>Make sure the component that is called out is connected and/or enabled. See Chapter 6, "Using the Setup Utility," on page 51</b></li> <li>2. Re-run test</li> <li>3. Replace the component called out in warning statement</li> <li>4. Replace the component under test</li> </ol>

Diagnostic Error Code	FRU/Action
005-198-XXX Video test aborted	<ol style="list-style-type: none"> <li>1. <b>If a component is called out, make sure it is connected and/or enabled. See Chapter 6, "Using the Setup Utility," on page 51</b></li> <li>2. Flash the system and re-test. See "Updating (flashing) BIOS from a CD-ROM or diskette" on page 442</li> <li>3. Go to "Undetermined problems" on page 82</li> </ol>
005-199-XXX Video test failed, cause unknown	<ol style="list-style-type: none"> <li>1. Go to "Undetermined problems" on page 82</li> <li>2. Flash the system and re-test. See "Updating (flashing) BIOS from a CD-ROM or diskette" on page 442</li> <li>3. Replace component under function test</li> </ol>
005-2XX-XXX 005-3XX-XXX Video subsystem error	<ol style="list-style-type: none"> <li>1. <b>Video card, if installed</b></li> <li>2. System board</li> </ol>
006-000-XXX Diskette interface Test Passed	<b>No action</b>
006-0XX-XXX Diskette interface error	<ol style="list-style-type: none"> <li>1. <b>Diskette drive Cable</b></li> <li>2. Diskette drive</li> <li>3. System board</li> </ol>
006-195-XXX Diskette interface Test aborted by user	<b>Information only</b> Re-start the test, if necessary
006-196-XXX Diskette interface test halt, error threshold exceeded	<ol style="list-style-type: none"> <li>1. <b>Press F3 to review the log file</b></li> <li>2. Re-start the test to reset the log file</li> </ol>
006-197-XXX Diskette interface test warning	<ol style="list-style-type: none"> <li>1. <b>If a component is called out, make sure it is connected and/or enabled</b></li> <li>2. Re-run test</li> <li>3. Replace the component that is called out in warning statement</li> <li>4. Replace the component under test</li> </ol>
006-198-XXX Diskette interface test aborted	<ol style="list-style-type: none"> <li>1. <b>If a component is called out, make sure it is connected and/or enabled</b></li> <li>2. Flash the system and re-test. See "Updating (flashing) BIOS from a CD-ROM or diskette" on page 442</li> <li>3. Go to "Undetermined problems" on page 82</li> </ol>
006-199-XXX Diskette interface test failed, cause unknown	<ol style="list-style-type: none"> <li>1. Go to "Undetermined problems" on page 82</li> <li>2. Flash the system and re-test</li> <li>3. Replace component under function test</li> </ol>
006-25X-XXX Diskette interface Error	<ol style="list-style-type: none"> <li>1. <b>Diskette drive cable</b></li> <li>2. Diskette drive</li> <li>3. System board</li> </ol>

Diagnostic Error Code	FRU/Action
<b>011-000-XXX</b> Serial port Interface Test Passed	<b>No action</b>
<b>011-001-XXX</b> Serial port Presence	<ol style="list-style-type: none"> <li>1. <b>Remove external serial device, if present</b></li> <li>2. Run setup, enable port</li> <li>3. System board</li> </ol>
<b>011-002-XXX</b> <b>011-003-XXX</b> Serial port Timeout/Parity error	<b>System board</b>
<b>011-013-XXX</b> <b>011-014-XXX</b> Serial port Control Signal/Loopback test failure	<b>System board</b>
<b>011-015-XXX</b> Serial port External Loopback failure	<ol style="list-style-type: none"> <li>1. <b>Wrap plug</b></li> <li>2. System board</li> </ol>
<b>011-027-XXX</b> Serial port Configuration/Setup error	<ol style="list-style-type: none"> <li>1. <b>Run Setup, enable port</b></li> <li>2. Flash the system. See "Updating (flashing) BIOS from a CD-ROM or diskette" on page 442</li> <li>3. System board</li> </ol>
<b>011-03X-XXX</b> <b>011-04X-XXX</b> Serial port failure	<b>System board</b>
<b>011-195-XXX</b> Serial port Test aborted by user	<b>Information only</b> Re-start the test, if necessary
<b>011-196-XXX</b> Serial port test halt, error threshold exceeded	<ol style="list-style-type: none"> <li>1. <b>Press F3 to review the log file</b></li> <li>2. Re-start the test to reset the log file</li> </ol>
<b>011-197-XXX</b> Serial port test warning	<ol style="list-style-type: none"> <li>1. <b>Make sure the component that is called out is connected and/or enabled. See Chapter 6, "Using the Setup Utility," on page 51</b></li> <li>2. Re-run test</li> <li>3. Replace the component that is called out in warning statement</li> <li>4. Replace the component under test</li> </ol>
<b>011-198-XXX</b> Serial port test aborted	<ol style="list-style-type: none"> <li>1. <b>If a component is called out, make sure it is connected and/or enabled. See Chapter 6, "Using the Setup Utility," on page 51</b></li> <li>2. Flash the system and re-test. See "Updating (flashing) BIOS from a CD-ROM or diskette" on page 442</li> <li>3. Go to "Undetermined problems" on page 82</li> </ol>

Diagnostic Error Code	FRU/Action
<b>011-199-XXX</b> Serial port test failed, cause unknown	<ol style="list-style-type: none"> <li>1. Go to “Undetermined problems” on page 82</li> <li>2. Flash the system and re-test. See “Updating (flashing) BIOS from a CD-ROM or diskette” on page 442</li> <li>3. Replace component under function test</li> </ol>
<b>011-2XX-XXX</b> Serial port signal failure	<ol style="list-style-type: none"> <li>1. <b>External serial device</b></li> <li>2. System board</li> </ol>
<b>014-000-XXX</b> Parallel port Interface Test Passed	<b>No action</b>
<b>014-001-XXX</b> Parallel port Presence	<ol style="list-style-type: none"> <li>1. <b>Remove external parallel device, if present</b></li> <li>2. Run setup, enable port</li> <li>3. System board</li> </ol>
<b>014-002-XXX</b> <b>014-003-XXX</b> Parallel port Timeout/Parity error	<b>System board</b>
<b>014-013-XXX</b> <b>014-014-XXX</b> Parallel port Control Signal/Loopback test failure	<b>System board</b>
<b>014-015-XXX</b> Parallel port External Loopback failure	<ol style="list-style-type: none"> <li>1. <b>Wrap plug</b></li> <li>2. System board</li> </ol>
<b>014-027-XXX</b> Parallel port Configuration/Setup error	<ol style="list-style-type: none"> <li>1. <b>Run Setup, enable port</b></li> <li>2. Flash the system. See “Updating (flashing) BIOS from a CD-ROM or diskette” on page 442</li> <li>3. System board</li> </ol>
<b>014-03X-XXX</b> <b>014-04X-XXX</b> Parallel port failure	<b>System board</b>
<b>014-195-XXX</b> Parallel port Test aborted by user	<b>Information only</b> Re-start the test, if necessary
<b>014-196-XXX</b> Parallel port test halt, error threshold exceeded	<ol style="list-style-type: none"> <li>1. <b>Press F3 to review the log file</b></li> <li>2. Re-start the test to reset the log file</li> </ol>
<b>014-197-XXX</b> Parallel port test warning	<ol style="list-style-type: none"> <li>1. <b>Make sure the component that is called out is connected and/or enabled. See Chapter 6, “Using the Setup Utility,” on page 51</b></li> <li>2. Re-run test</li> <li>3. Replace the component that is called out in warning statement</li> <li>4. Replace the component under test</li> </ol>

Diagnostic Error Code	FRU/Action
<b>014-198-XXX</b> Parallel port test aborted	<ol style="list-style-type: none"> <li>1. <b>If a component is called out, make sure it is connected and/or enabled</b></li> <li>2. Flash the system and re-test. See "Updating (flashing) BIOS from a CD-ROM or diskette" on page 442</li> <li>3. Go to "Undetermined problems" on page 82</li> </ol>
<b>014-199-XXX</b> Parallel port test failed, cause unknown	<ol style="list-style-type: none"> <li>1. Go to "Undetermined problems" on page 82</li> <li>2. Flash the system and re-test. See "Updating (flashing) BIOS from a CD-ROM or diskette" on page 442</li> <li>3. Replace component under function test</li> </ol>
<b>014-2XX-XXX</b> <b>014-3XX-XXX</b> Parallel port failure	<ol style="list-style-type: none"> <li>1. <b>External parallel device</b></li> <li>2. System board</li> </ol>
<b>015-000-XXX</b> USB port Interface Test Passed	<b>No action</b>
<b>015-001-XXX</b> USB port Presence	<ol style="list-style-type: none"> <li>1. <b>Remove USB device(s) and re-test</b></li> <li>2. System board</li> </ol>
<b>015-002-XXX</b> USB port Timeout	<ol style="list-style-type: none"> <li>1. <b>Remove USB device(s) and re-test</b></li> <li>2. System board</li> </ol>
<b>015-015-XXX</b> USB port External Loopback failure	<ol style="list-style-type: none"> <li>1. <b>Remove USB device(s) and re-test</b></li> <li>2. System board</li> </ol>
<b>015-027-XXX</b> USB port Configuration/Setup error	<ol style="list-style-type: none"> <li>1. <b>Flash the system. See "Updating (flashing) BIOS from a CD-ROM or diskette" on page 442</b></li> <li>2. System board</li> </ol>
<b>015-032-XXX</b> USB port Device Controller failure	<b>System board</b>
<b>015-034-XXX</b> USB port buffer allocation failure	<ol style="list-style-type: none"> <li>1. <b>Reboot the system</b></li> <li>2. Flash the system and re-test. See "Updating (flashing) BIOS from a CD-ROM or diskette" on page 442</li> <li>3. Run memory test</li> <li>4. System board</li> </ol>
<b>015-035-XXX</b> USB port Reset condition detected	<ol style="list-style-type: none"> <li>1. <b>Remove USB device(s) and re-test</b></li> <li>2. System board</li> </ol>
<b>015-036-XXX</b> USB port Register error	<b>System board</b>
<b>015-040-XXX</b> USB port IRQ failure	<ol style="list-style-type: none"> <li>1. <b>Run setup and check for conflicts</b></li> <li>2. Flash the system. See "Updating (flashing) BIOS from a CD-ROM or diskette" on page 442</li> <li>3. System board</li> </ol>
<b>015-195-XXX</b> USB port Test aborted by user	<b>Information only</b> Re-start the test, if necessary

Diagnostic Error Code	FRU/Action
<b>015-196-XXX</b> USB port test halt, error threshold exceeded	<ol style="list-style-type: none"> <li>1. <b>Press F3 to review the log file</b></li> <li>2. Re-start the test to reset the log file</li> </ol>
<b>015-197-XXX</b> USB port test warning	<ol style="list-style-type: none"> <li>1. <b>Make sure the component that is called out is connected and/or enabled. See Chapter 6, "Using the Setup Utility," on page 51</b></li> <li>2. Re-run test</li> <li>3. Replace the component that is called out in warning statement</li> <li>4. Replace the component under test</li> </ol>
<b>015-198-XXX</b> USB port test aborted	<ol style="list-style-type: none"> <li>1. <b>If a component is called out, make sure it is connected and/or enabled. See Chapter 6, "Using the Setup Utility," on page 51</b></li> <li>2. Flash the system and re-test. See "Updating (flashing) BIOS from a CD-ROM or diskette" on page 442</li> <li>3. Go to "Undetermined problems" on page 82</li> </ol>
<b>015-199-XXX</b> USB port test failed, cause unknown	<ol style="list-style-type: none"> <li>1. Go to "Undetermined problems" on page 82</li> <li>2. Flash the system and re-test. See "Updating (flashing) BIOS from a CD-ROM or diskette" on page 442</li> <li>3. Replace component under function test</li> </ol>
<b>018-000-XXX</b> PCI Card Test Passed	<b>No action</b>
<b>018-0XX-XXX</b> PCI Card Failure	<ol style="list-style-type: none"> <li>1. <b>Riser card, if installed</b></li> <li>2. System board</li> </ol>
<b>018-195-XXX</b> PCI Card Test aborted by user	<ol style="list-style-type: none"> <li>1. <b>PCI card</b></li> <li>2. <b>Information only</b> Re-start the test, if necessary</li> </ol>
<b>018-196-XXX</b> PCI Card test halt, error threshold exceeded	<ol style="list-style-type: none"> <li>1. <b>Press F3 to review the log file</b></li> <li>2. Re-start the test to reset the log file</li> </ol>
<b>018-197-XXX</b> PCI Card test warning	<ol style="list-style-type: none"> <li>1. <b>Make sure the component that is called out is connected and/or enabled. See Chapter 6, "Using the Setup Utility," on page 51</b></li> <li>2. Re-run test</li> <li>3. Replace the component that is called out in warning statement</li> <li>4. Replace the component under test</li> </ol>



Diagnostic Error Code	FRU/Action
<b>018-198-XXX</b> PCI Card test aborted	<ol style="list-style-type: none"> <li>1. <b>If a component is called out, make sure it is connected and/or enabled. See Chapter 6, "Using the Setup Utility," on page 51</b></li> <li>2. Flash the system and re-test. See "Updating (flashing) BIOS from a CD-ROM or diskette" on page 442</li> <li>3. Go to "Undetermined problems" on page 82</li> </ol>
<b>018-199-XXX</b> PCI Card test failed, cause unknown	<ol style="list-style-type: none"> <li>1. Go to "Undetermined problems" on page 82</li> <li>2. Flash the system and re-test. See "Updating (flashing) BIOS from a CD-ROM or diskette" on page 442</li> <li>3. Replace component under function test</li> </ol>
<b>018-250-XXX</b> PCI Card Services error	<ol style="list-style-type: none"> <li>1. <b>PCI card</b></li> <li>2. Riser card, if installed</li> <li>3. System board</li> </ol>
<b>020-000-XXX</b> PCI Interface Test Passed	<b>No action</b>
<b>020-0XX-XXX</b> PCI Interface error	<ol style="list-style-type: none"> <li>1. <b>PCI card</b></li> <li>2. Riser card, if installed</li> <li>3. System board</li> </ol>
<b>020-195-XXX</b> PCI Test aborted by user	<b>Information only</b> Re-start the test, if necessary
<b>020-196-XXX</b> PCI test halt, error threshold exceeded	<ol style="list-style-type: none"> <li>1. <b>Press F3 to review the log file</b></li> <li>2. Re-start the test to reset the log file</li> </ol>
<b>020-197-XXX</b> PCI test warning	<ol style="list-style-type: none"> <li>1. <b>Make sure the component that is called out is connected and/or enabled. See Chapter 6, "Using the Setup Utility," on page 51</b></li> <li>2. Re-run test</li> <li>3. Replace the component that is called out in warning statement</li> <li>4. Replace the component under test</li> </ol>
<b>020-198-XXX</b> PCI test aborted	<ol style="list-style-type: none"> <li>1. <b>If a component is called out, make sure it is connected and/or enabled. See Chapter 6, "Using the Setup Utility," on page 51</b></li> <li>2. Flash the system and re-test. See "Updating (flashing) BIOS from a CD-ROM or diskette" on page 442</li> <li>3. Go to "Undetermined problems" on page 82</li> </ol>

Diagnostic Error Code	FRU/Action
<b>020-199-XXX</b> PCI test failed, cause unknown	<ol style="list-style-type: none"> <li>1. Go to "Undetermined problems" on page 82</li> <li>2. Flash the system and re-test. See "Updating (flashing) BIOS from a CD-ROM or diskette" on page 442</li> <li>3. Replace component under function test</li> </ol>
<b>020-262-XXX</b> PCI system error	<ol style="list-style-type: none"> <li>1. <b>PCI card</b></li> <li>2. Riser card, if installed</li> <li>3. System board</li> </ol>
<b>025-000-XXX</b> IDE interface Test Passed	<b>No action</b>
<b>025-00X-XXX</b> <b>025-01X-XXX</b> IDE interface failure	<ol style="list-style-type: none"> <li>1. <b>IDE signal cable</b></li> <li>2. Check power supply voltages</li> <li>3. Reseat IDE signal cable</li> <li>4. IDE device</li> <li>5. System board</li> </ol>
<b>025-027-XXX</b> IDE interface Configuration/Setup error	<ol style="list-style-type: none"> <li>1. <b>IDE signal cable</b></li> <li>2. Flash the system. See "Updating (flashing) BIOS from a CD-ROM or diskette" on page 442</li> <li>3. Reseat IDE signal cable</li> <li>4. IDE device</li> <li>5. System board</li> </ol>
<b>025-02X-XXX</b> <b>025-03X-XXX</b> <b>025-04X-XXX</b> IDE Interface failure	<ol style="list-style-type: none"> <li>1. <b>IDE signal cable</b></li> <li>2. Check power supply</li> <li>3. Reseat IDE signal cable</li> <li>4. IDE device</li> <li>5. System board</li> </ol>
<b>025-195-XXX</b> IDE interface Test aborted by user	<b>Information only</b> Re-start the test, if necessary
<b>025-196-XXX</b> IDE interface test halt, error threshold exceeded	<ol style="list-style-type: none"> <li>1. <b>Press F3 to review the log file</b></li> <li>2. Re-start the test to reset the log file</li> </ol>
<b>025-197-XXX</b> IDE interface test warning	<ol style="list-style-type: none"> <li>1. <b>Make sure the component that is called out is connected and/or enabled. See Chapter 6, "Using the Setup Utility," on page 51</b></li> <li>2. Re-run test</li> <li>3. Replace the component that is called out in warning statement</li> <li>4. Replace the component under test</li> </ol>

Diagnostic Error Code	FRU/Action
<b>025-198-XXX</b> IDE interface test aborted	<ol style="list-style-type: none"> <li>1. <b>If a component is called out, make sure it is connected and/or enabled. See Chapter 6, "Using the Setup Utility," on page 51</b></li> <li>2. Flash the system and re-test. See "Updating (flashing) BIOS from a CD-ROM or diskette" on page 442</li> <li>3. Go to "Undetermined problems" on page 82</li> </ol>
<b>025-199-XXX</b> IDE interface test failed, cause unknown	<ol style="list-style-type: none"> <li>1. Go to "Undetermined problems" on page 82</li> <li>2. Flash the system and re-test. See "Updating (flashing) BIOS from a CD-ROM or diskette" on page 442</li> <li>3. Replace component under function test</li> </ol>
<b>030-000-XXX</b> SCSI interface Test Passed	<b>No action</b>
<b>030-00X-XXX</b> <b>030-01X-XXX</b> SCSI interface failure	<ol style="list-style-type: none"> <li>1. <b>SCSI signal cable</b></li> <li>2. Check power supply</li> <li>3. SCSI device</li> <li>4. SCSI adapter card, if installed</li> <li>5. System board</li> </ol>
<b>030-027-XXX</b> SCSI interface Configuration/Setup error	<ol style="list-style-type: none"> <li>1. <b>SCSI signal cable</b></li> <li>2. Flash the system. See "Updating (flashing) BIOS from a CD-ROM or diskette" on page 442</li> <li>3. SCSI device</li> <li>4. SCSI adapter card, if installed</li> <li>5. System board</li> </ol>
<b>030-03X-XXX</b> <b>030-04X-XXX</b> SCSI interface error	<ol style="list-style-type: none"> <li>1. <b>SCSI signal cable</b></li> <li>2. Check power supply</li> <li>3. SCSI device</li> <li>4. SCSI adapter card, if installed</li> <li>5. System board</li> </ol>
<b>030-195-XXX</b> SCSI interface Test aborted by user	<b>Information only</b> Re-start the test, if necessary
<b>030-196-XXX</b> SCSI interface test halt, error threshold exceeded	<ol style="list-style-type: none"> <li>1. <b>Press F3 to review the log file</b></li> <li>2. Re-start the test to reset the log file</li> </ol>
<b>030-197-XXX</b> SCSI interface test warning	<ol style="list-style-type: none"> <li>1. <b>Make sure the component that is called out is connected and/or enabled. See Chapter 6, "Using the Setup Utility," on page 51</b></li> <li>2. Re-run test</li> <li>3. Replace the component that is called out in warning statement</li> <li>4. Replace the component under test</li> </ol>

Diagnostic Error Code	FRU/Action
030-198-XXX SCSI interface test aborted	<ol style="list-style-type: none"> <li>1. <b>If a component is called out, make sure it is connected and/or enabled. See Chapter 6, "Using the Setup Utility," on page 51</b></li> <li>2. Flash the system and re-test. See "Updating (flashing) BIOS from a CD-ROM or diskette" on page 442</li> <li>3. Go to "Undetermined problems" on page 82</li> </ol>
030-199-XXX SCSI interface test failed, cause unknown	<ol style="list-style-type: none"> <li>1. Go to "Undetermined problems" on page 82</li> <li>2. Flash the system and re-test. See "Updating (flashing) BIOS from a CD-ROM or diskette" on page 442</li> <li>3. Replace component under function test</li> </ol>
035-000-XXX RAID interface Test Passed	<b>No action</b>
035-0XX-XXX RAID interface Failure	<ol style="list-style-type: none"> <li>1. <b>RAID signal cable</b></li> <li>2. RAID device</li> <li>3. RAID adapter card, if installed</li> <li>4. System board</li> </ol>
035-195-XXX RAID interface Test aborted by user	<b>Information only</b> Re-start the test, if necessary
035-196-XXX RAID interface test halt, error threshold exceeded	<ol style="list-style-type: none"> <li>1. <b>Press F3 to review the log file</b></li> <li>2. Re-start the test to reset the log file</li> </ol>
035-197-XXX RAID interface test warning	<ol style="list-style-type: none"> <li>1. <b>Make sure the component that is called out is connected and/or enabled. See Chapter 6, "Using the Setup Utility," on page 51</b></li> <li>2. Re-run test</li> <li>3. Replace the component that is called out in warning statement</li> <li>4. Replace the component under test</li> </ol>
035-198-XXX RAID interface test aborted	<ol style="list-style-type: none"> <li>1. <b>If a component is called out, make sure it is connected and/or enabled. See Chapter 6, "Using the Setup Utility," on page 51</b></li> <li>2. Flash the system and re-test. See "Updating (flashing) BIOS from a CD-ROM or diskette" on page 442</li> <li>3. Go to "Undetermined problems" on page 82</li> </ol>
035-199-XXX RAID interface test failed, cause unknown	<ol style="list-style-type: none"> <li>1. See "Undetermined problems" on page 82</li> <li>2. Flash the system and re-test. See "Updating (flashing) BIOS from a CD-ROM or diskette" on page 442</li> <li>3. Replace component under function test</li> </ol>

Diagnostic Error Code	FRU/Action
<b>071-000-XXX</b> Audio port Interface Test Passed	<b>No action</b>
<b>071-00X-XXX</b> <b>071-01X-XXX</b> <b>071-02X-XXX</b> Audio port error	<ol style="list-style-type: none"> <li>1. <b>Run Setup</b></li> <li>2. Flash the system. See "Updating (flashing) BIOS from a CD-ROM or diskette" on page 442</li> <li>3. System board</li> </ol>
<b>071-03X-XXX</b> Audio port failure	<ol style="list-style-type: none"> <li>1. <b>Speakers</b></li> <li>2. Microphone</li> <li>3. Audio card, if installed</li> <li>4. System board</li> </ol>
<b>071-04X-XXX</b> Audio port failure	<ol style="list-style-type: none"> <li>1. <b>Run Setup</b></li> <li>2. Audio card, if installed</li> <li>3. System board</li> </ol>
<b>071-195-XXX</b> Audio port Test aborted by user	<b>Information only</b> Re-start the test, if necessary
<b>071-196-XXX</b> Audio port test halt, error threshold exceeded	<ol style="list-style-type: none"> <li>1. <b>Press F3 to review the log file</b></li> <li>2. Re-start the test to reset the log file</li> </ol>
<b>071-197-XXX</b> Audio port test warning	<ol style="list-style-type: none"> <li>1. <b>Make sure the component that is called out is connected and/or enabled. See Chapter 6, "Using the Setup Utility," on page 51</b></li> <li>2. Re-run test</li> <li>3. Replace the component that is called out in warning statement</li> <li>4. Replace the component under test</li> </ol>
<b>071-198-XXX</b> Audio port test aborted	<ol style="list-style-type: none"> <li>1. <b>If a component is called out, make sure it is connected and/or enabled. See Chapter 6, "Using the Setup Utility," on page 51</b></li> <li>2. Flash the system and re-test. See "Updating (flashing) BIOS from a CD-ROM or diskette" on page 442</li> <li>3. Go to "Undetermined problems" on page 82</li> </ol>
<b>071-199-XXX</b> Audio port test failed, cause unknown	<ol style="list-style-type: none"> <li>1. See "Undetermined problems" on page 82</li> <li>2. Flash the system and re-test. See "Updating (flashing) BIOS from a CD-ROM or diskette" on page 442</li> <li>3. Replace component under function test</li> </ol>
<b>071-25X-XXX</b> Audio port failure	<ol style="list-style-type: none"> <li>1. <b>Speakers</b></li> <li>2. Audio card, if installed</li> <li>3. System board</li> </ol>
<b>080-000-XXX</b> Game Port interface Test Passed	<b>No action</b>

Diagnostic Error Code	FRU/Action
<b>080-XXX-XXX</b> Game Port interface Error	1. <b>Remove the game port device and re-test the system</b>
<b>080-195-XXX</b> Game Port interface Test aborted by user	<b>Information only</b> Re-start the test, if necessary
<b>080-196-XXX</b> Game Port interface test halt, error threshold exceeded	1. <b>Press F3 to review the log file</b> 2. Re-start the test to reset the log file
<b>080-197-XXX</b> Game Port interface test warning	1. <b>Make sure the component that is called out is connected and/or enabled. See Chapter 6, "Using the Setup Utility," on page 51</b> 2. Re-run test 3. Replace the component that is called out in warning statement 4. Replace the component under test
<b>080-198-XXX</b> Game Port interface test aborted	1. <b>If a component is called out, make sure it is connected and/or enabled. See Chapter 6, "Using the Setup Utility," on page 51</b> 2. Flash the system and re-test. See "Updating (flashing) BIOS from a CD-ROM or diskette" on page 442 3. Go to "Undetermined problems" on page 82
<b>080-199-XXX</b> Game Port interface test failed, cause unknown	1. See "Undetermined problems" on page 82 2. Flash the system and re-test. See "Updating (flashing) BIOS from a CD-ROM or diskette" on page 442 3. Replace component under function test
<b>086-000-XXX</b> Mouse Port interface Test Passed	<b>No action</b>
<b>086-001-XXX</b> Mouse Port interface Presence	1. <b>Mouse</b> 2. System board
<b>086-032-XXX</b> Mouse Port interface Device controller failure	1. <b>Mouse</b> 2. System board
<b>086-035-XXX</b> Mouse Port interface Reset	1. <b>Mouse</b> 2. System board
<b>086-040-XXX</b> Mouse Port interface IRQ failure	1. <b>Run Setup</b> 2. Mouse 3. System board
<b>086-195-XXX</b> Mouse Port interface Test aborted by user	<b>Information only</b> Re-start the test, if necessary
<b>086-196-XXX</b> Mouse Port interface test halt, error threshold exceeded	1. <b>Press F3 to review the log file</b> 2. Re-start the test to reset the log file

Diagnostic Error Code	FRU/Action
<b>086-197-XXX</b> Mouse Port interface test warning	<ol style="list-style-type: none"> <li>1. <b>Make sure the component that is called out is connected and/or enabled. See Chapter 6, "Using the Setup Utility," on page 51</b></li> <li>2. Re-run test</li> <li>3. Replace the component that is called out in warning statement</li> <li>4. Replace the component under test</li> </ol>
<b>086-198-XXX</b> Mouse Port interface test aborted	<ol style="list-style-type: none"> <li>1. <b>If a component is called out, make sure it is connected and/or enabled. See Chapter 6, "Using the Setup Utility," on page 51</b></li> <li>2. Flash the system and re-test. See "Updating (flashing) BIOS from a CD-ROM or diskette" on page 442</li> <li>3. Go to "Undetermined problems" on page 82</li> </ol>
<b>086-199-XXX</b> Mouse Port interface test failed, cause unknown	<ol style="list-style-type: none"> <li>1. See "Undetermined problems" on page 82</li> <li>2. Flash the system and re-test. See "Updating (flashing) BIOS from a CD-ROM or diskette" on page 442</li> <li>3. Replace component under function test</li> </ol>
<b>089-000-XXX</b> Microprocessor Test Passed	<b>No action</b>
<b>089-XXX-XXX</b> Microprocessor failure	<ol style="list-style-type: none"> <li>1. <b>Microprocessor(s)</b></li> <li>2. System board</li> </ol>
<b>089-195-XXX</b> Microprocessor Test aborted by user	<b>Information only</b> Re-start the test, if necessary
<b>089-196-XXX</b> Microprocessor test halt, error threshold exceeded	<ol style="list-style-type: none"> <li>1. <b>Press F3 to review the log file</b></li> <li>2. Re-start the test to reset the log file</li> </ol>
<b>089-197-XXX</b> Microprocessor test warning	<ol style="list-style-type: none"> <li>1. <b>Make sure the component that is called out is connected and/or enabled. See Chapter 6, "Using the Setup Utility," on page 51</b></li> <li>2. Re-run test</li> <li>3. Replace the component that is called out in warning statement</li> <li>4. Replace the component under test</li> </ol>
<b>089-198-XXX</b> Microprocessor test aborted	<ol style="list-style-type: none"> <li>1. <b>Flash the system. See "Updating (flashing) BIOS from a CD-ROM or diskette" on page 442</b></li> <li>2. Go to "Undetermined problems" on page 82</li> </ol>

Diagnostic Error Code	FRU/Action
<b>089-199-XXX</b> Microprocessor test failed, cause unknown	<ol style="list-style-type: none"> <li>1. See "Undetermined problems" on page 82</li> <li>2. Flash the system and re-test. See "Updating (flashing) BIOS from a CD-ROM or diskette" on page 442</li> <li>3. Replace component under function test</li> </ol>
<b>170-000-XXX</b> Voltage Sensor(s) Test Passed	<b>No action</b>
<b>170-0XX-XXX</b> Voltage Sensor(s) failure	<ol style="list-style-type: none"> <li>1. <b>Flash system</b></li> <li>2. System board</li> </ol>
<b>170-195-XXX</b> Voltage Sensor(s) Test aborted by user	<b>Information only</b> Re-start the test, if necessary
<b>170-196-XXX</b> Voltage Sensor(s) test halt, error threshold exceeded	<ol style="list-style-type: none"> <li>1. <b>Press F3 to review the log file</b></li> <li>2. Re-start the test to reset the log file</li> </ol>
<b>170-197-XXX</b> Voltage Sensor(s) test warning	<ol style="list-style-type: none"> <li>1. <b>Make sure the component that is called out is connected and/or enabled. See Chapter 6, "Using the Setup Utility," on page 51</b></li> <li>2. Re-run test</li> <li>3. Replace the component that is called out in warning statement</li> <li>4. Replace the component under test</li> </ol>
<b>170-198-XXX</b> Voltage Sensor(s) test aborted	<ol style="list-style-type: none"> <li>1. <b>If a component is called out, make sure it is connected and/or enabled. See Chapter 6, "Using the Setup Utility," on page 51</b></li> <li>2. Flash the system and re-test. See "Updating (flashing) BIOS from a CD-ROM or diskette" on page 442</li> <li>3. Go to "Undetermined problems" on page 82</li> </ol>
<b>170-199-XXX</b> Voltage Sensor(s) test failed, cause unknown	<ol style="list-style-type: none"> <li>1. See "Undetermined problems" on page 82</li> <li>2. Flash the system and re-test. See "Updating (flashing) BIOS from a CD-ROM or diskette" on page 442</li> <li>3. Replace component under function test</li> </ol>
<b>170-250-XXX</b> <b>170-251-XXX</b> Voltage Sensor(s) Voltage limit error	<ol style="list-style-type: none"> <li>1. <b>Power supply</b></li> <li>2. System board</li> </ol>
<b>170-254-XXX</b> Voltage Sensor(s) Voltage Regulator Module error	<ol style="list-style-type: none"> <li>1. <b>Voltage Regulator Module (VRM)</b></li> <li>2. Microprocessor</li> <li>3. System board</li> </ol>
<b>175-000-XXX</b> Thermal Sensor(s) Test Passed	<b>No action</b>
<b>175-0XX-XXX</b> Thermal Sensor(s) failure	<ol style="list-style-type: none"> <li>1. <b>Flash system</b></li> <li>2. System board</li> </ol>



Diagnostic Error Code	FRU/Action
<b>175-195-XXX</b> Thermal Sensor(s) Test aborted by user	<b>Information only</b> Re-start the test, if necessary
<b>175-196-XXX</b> Thermal Sensor(s) test halt, error threshold exceeded	<ol style="list-style-type: none"> <li>1. <b>Press F3 to review the log file</b></li> <li>2. Re-start the test to reset the log file</li> </ol>
<b>175-197-XXX</b> Thermal Sensor(s) test warning	<ol style="list-style-type: none"> <li>1. <b>Make sure the component that is called out is connected and/or enabled. See Chapter 6, "Using the Setup Utility," on page 51</b></li> <li>2. Re-run test</li> <li>3. Replace the component that is called out in warning statement</li> <li>4. Replace the component under test</li> </ol>
<b>175-198-XXX</b> Thermal Sensor(s) test aborted	<ol style="list-style-type: none"> <li>1. <b>If a component is called out, make sure it is connected and/or enabled</b></li> <li>2. Flash the system and re-test. See "Updating (flashing) BIOS from a CD-ROM or diskette" on page 442</li> <li>3. Go to "Undetermined problems" on page 82</li> </ol>
<b>175-199-XXX</b> Thermal Sensor(s) test failed, cause unknown	<ol style="list-style-type: none"> <li>1. <b>See "Undetermined problems" on page 82</b></li> <li>2. Flash the system and re-test. See "Updating (flashing) BIOS from a CD-ROM or diskette" on page 442</li> <li>3. Replace component under function test</li> </ol>
<b>175-250-XXX</b> <b>175-251-XXX</b> Thermal Sensor(s) limit error	<ol style="list-style-type: none"> <li>1. <b>Check fans</b></li> <li>2. Check Power supply voltages</li> <li>3. Microprocessor</li> <li>4. System board</li> </ol>
<b>185-000-XXX</b> Asset Security Test Passed	<b>No action</b>
<b>185-XXX-XXX</b> Asset Security failure	<ol style="list-style-type: none"> <li>1. <b>Flash system</b></li> <li>2. System board</li> </ol>
<b>185-278-XXX</b> Asset Security Chassis Intrusion	<ol style="list-style-type: none"> <li>1. <b>Assure Asset Security Enabled</b></li> <li>2. C2 Cover Switch</li> <li>3. System board</li> </ol>
<b>201-000-XXX</b> System Memory Test Passed	<b>No action</b>
<b>201-XXX-XXX</b> System Memory error	<ol style="list-style-type: none"> <li>1. <b>Replace the memory module called out by the test</b></li> <li>2. System board</li> </ol>
<b>202-000-XXX</b> System Cache Test Passed	<b>No action</b>
<b>202-XXX-XXX</b> System Cache error	<ol style="list-style-type: none"> <li>1. <b>Cache, if removable</b></li> <li>2. System board</li> <li>3. Microprocessor</li> </ol>

<b>Diagnostic Error Code</b>	<b>FRU/Action</b>
<b>206-000-XXX</b> Diskette Drive Test Passed	<b>No action</b>
<b>206-XXX-XXX</b> Diskette Drive error	<ol style="list-style-type: none"> <li>1. <b>Diskette Drive Cable</b></li> <li>2. Check power supply voltages</li> <li>3. Diskette drive</li> <li>4. System board</li> </ol>
<b>215-000-XXX</b> CD-ROM Drive Test Passed	<b>No action</b>
<b>215-XXX-XXX</b> CD-ROM Drive error	<ol style="list-style-type: none"> <li>1. <b>CD-ROM Drive Cable</b></li> <li>2. Check power supply voltages</li> <li>3. CD-ROM drive</li> <li>4. System board</li> </ol>
<b>217-000-XXX</b> Hard Disk Drive Test Passed	<b>No action</b>
<b>217-25X-XXX</b> <b>217-26X-XXX</b> Hard Disk Drive (IDE) error	<ol style="list-style-type: none"> <li>1. <b>Hard Disk Drive Cable</b></li> <li>2. Check power supply voltages</li> <li>3. Reseat the hard disk drive cable</li> <li>4. Hard Disk drive (IDE)</li> <li>5. System board</li> </ol>
<b>217-28X-XXX</b> <b>217-29X-XXX</b> Hard Disk Drive (SCSI) error	<ol style="list-style-type: none"> <li>1. <b>Hard Disk Drive Cable</b></li> <li>2. Check power supply voltages</li> <li>3. Reseat the hard disk drive cable</li> <li>4. Hard Disk drive (SCSI)</li> <li>5. SCSI adapter card</li> <li>6. System board</li> </ol>
<b>220-000-XXX</b> Hi-Capacity Cartridge Drive Test Passed	<b>No action</b>
<b>220-XXX-XXX</b> Hi-Capacity Cartridge Drive error	1. <b>Remove the Hi-Capacity Cartridge Drive and re-test the system</b>
<b>301-XXX-XXX</b> Keyboard error	<ol style="list-style-type: none"> <li>1. <b>Keyboard</b></li> <li>2. Check and test mouse</li> <li>3. System board</li> </ol>
<b>301-000-XXX</b> Keyboard Test Passed	<b>No action</b>
<b>302-000-XXX</b> Mouse Test Passed	<b>No action</b>
<b>302-XXX-XXX</b> Mouse error	<ol style="list-style-type: none"> <li>1. <b>Mouse</b></li> <li>2. Check and test Keyboard</li> <li>3. System board</li> </ol>
<b>303-000-XXX</b> Joystick Test Passed	<b>No action</b>
<b>303-XXX-XXX</b> Joystick error	<b>Remove the Joystick and re-test the system</b>
<b>305-000-XXX</b> Monitor DDC Test Passed	<b>No action</b>

Diagnostic Error Code	FRU/Action
<b>305-250-XXX</b> Monitor DDC self test failure	<ol style="list-style-type: none"> <li>1. <b>Run Setup to enable DDC</b></li> <li>2. Cable</li> <li>3. Monitor</li> <li>4. Video card</li> <li>5. System board</li> </ol>
<b>415-000-XXX</b> Modem Test Passed	<b>No action</b>
<b>415-XXX-XXX</b> Modem error	<b>Remove the Modem and re-test the system</b>

## Beep symptoms

Beep symptoms are tones or a series of tones separated by pauses (intervals without sound) during POST.

The following tables describes beep symptoms.

Beep Symptom	FRU/Action
<b>2 short beeps</b> CMOS setting error	Perform the following actions in order. <ol style="list-style-type: none"><li>1. Start the Setup Utility program and press F10 to Save and exit. See Chapter 6, "Using the Setup Utility," on page 51.</li><li>2. Start the Setup Utility program and press F7 to load defaults and then press F10 to Save and exit.</li><li>3. Perform a Boot block recovery. See "Recovering from a POST/BIOS update failure" on page 442.</li></ol>
<b>1 long and 2 short beeps</b> Monitor or video adapter card error	Perform the following actions in order. <ol style="list-style-type: none"><li>1. Make sure the monitor is properly connected to the computer.</li><li>2. Replace the video adapter card (if present).</li><li>3. Replace the system board.</li></ol>
<b>1 long and 3 short beeps</b> Keyboard error	Perform the following actions in order. <ol style="list-style-type: none"><li>1. Make sure the keyboard is properly connected to the keyboard connector.</li><li>2. Replace the keyboard.</li><li>3. Replace the system board.</li></ol>
<b>1 long and 9 short beeps</b> BIOS ROM error	Perform the following actions in order. <ol style="list-style-type: none"><li>1. Start the Setup Utility program and press F7 to load defaults and then press F10 to Save and exit. See Chapter 6, "Using the Setup Utility," on page 51.</li><li>2. Perform a Boot block recovery. See "Recovering from a POST/BIOS update failure" on page 442.</li><li>3. Replace the system board.</li></ol>
<b>Continuos long beeps</b> DRAM memory error	Perform the following actions in order. <ol style="list-style-type: none"><li>1. Make sure the memory module(s) are properly seated in the connector(s).</li><li>2. Replace the memory module(s).</li><li>3. Replace the system board.</li></ol>

## POST error codes

Each time you power-on the system, it performs a series of tests that check the operation of the system and some options. This series of tests is called the *Power-On Self-Test*, or *POST*. POST does the following operations.

- Checks some basic system-board operations
- Checks the memory operation
- Starts the video operation
- Verifies that the boot drive is working

If the POST detects a problem, an error message appears on the screen. A single problem can cause several error messages to appear. When you correct the cause of the first error message, the other error messages probably will not appear on the screen the next time you turn on the system.

POST Error Message	Description/Action
CMOS battery failed	The CMOS battery is no longer functional. Replace the battery.
CMOS checksum error - defaults loaded	Checksum of CMOS is incorrect. The computer loads the default configuration settings. This error might indicate that CMOS has become corrupt due to a weak CMOS battery.
CPU at nnnn	nnnn is the running speed of the microprocessor.
Press Esc to skip memory test	Pressing Esc skips the full memory test
HARD DISK INSTALL FAILURE	Cannot find or initialize the hard disk drive controller or the drive. Make sure the hard disk drive is correctly installed. If no hard disk drives are installed, make sure the hard disk drive selection in Setup is set to NONE.
Keyboard error or no keyboard present	Cannot initialize the keyboard. Make sure the keyboard is properly connected to the computer and that no keys are held pressed during POST. To purposely configure the computer without a keyboard, set the error halt condition in Setup to HALT ON ALL, BUT KEYBOARD. The BIOS then ignores the missing keyboard during POST.
Memory Test:	This message displays during a full memory test, counting down the memory areas being tested.
Memory test fail	If POST detects an error during memory testing, additional information appears. This information gives specifics about the type and location of the memory error.

POST Error Message	Description/Action
Press TAB to show POST screen	Pressing the TAB key permits the user to toggle between the default POST display screen and a custom POST display screen.
Error: Non-System disk or disk error Replace and press any key when ready	<p>The BIOS was unable to find a suitable boot device.</p> <p>Make sure the boot drive is properly connected to the computer.</p> <p>Make sure you have bootable media.</p>

## Miscellaneous error messages

Message/Symptom	FRU/Action
Changing display colors	<b>Display/Monitor</b>
Computer will <i>not</i> power-off. See "Power Supply Problems" on page 55.	<ol style="list-style-type: none"> <li><b>Power Switch</b></li> <li>System Board</li> <li>Riser card, if installed</li> </ol>
Computer will <i>not</i> RPL from server	<ol style="list-style-type: none"> <li><b>Ensure that network is in startup sequence as first device or first device after diskette</b></li> <li>Ensure that network adapter is enabled for RPL</li> <li>Network adapter (Advise network administrator of new MAC address)</li> </ol>
Computer will <i>not</i> perform a Wake On LAN <sup>®</sup> (if applicable)	<ol style="list-style-type: none"> <li><b>Check power supply and signal cable connections to network adapter</b></li> <li>Ensure that the operating system settings are set to enable Wake on LAN<sup>®</sup></li> <li>Ensure Wake On LAN feature is enabled in Setup/Configuration (see "Starting the Setup Utility program" on page 51)</li> <li>Ensure network administrator is using correct MAC address</li> <li>Ensure no interrupt or I/O address conflicts</li> <li>Network adapter (advise network administrator of new MAC address)</li> </ol>
Dead computer. See "Power Supply Problems" on page 55.	<ol style="list-style-type: none"> <li><b>Power Supply</b></li> <li>System Board</li> </ol>
Diskette drive in-use light remains on or does not light when drive is active.	<ol style="list-style-type: none"> <li><b>Diskette Drive</b></li> <li>System Board</li> <li>Diskette Drive Cable</li> </ol>
Flashing cursor with an otherwise blank display.	<ol style="list-style-type: none"> <li><b>System Board</b></li> <li>Primary Hard Disk Drive</li> <li>Hard Disk Drive Cable</li> </ol>
Incorrect memory size during POST	<ol style="list-style-type: none"> <li><b>Run the Memory tests</b></li> <li>Memory Module</li> <li>System Board</li> </ol>
"Insert a Diskette" icon appears with a known-good diagnostics diskette in the first 3.5-inch diskette drive.	<ol style="list-style-type: none"> <li><b>System Board</b></li> <li>Diskette Drive Cable</li> <li>Network Adapter</li> </ol>
Intensity or color varies from left to right of characters and color bars	<ol style="list-style-type: none"> <li><b>Display</b></li> <li>Video adapter (if present)</li> <li>System Board</li> </ol>
No power or fan not running	<ol style="list-style-type: none"> <li><b>See "Power Supply Problems" on page 55.</b></li> </ol>

Message/Symptom	FRU/Action
Non-system disk or disk error-type message with a known-good diagnostic diskette.	<ol style="list-style-type: none"> <li>1. <b>Diskette Drive</b></li> <li>2. System Board</li> <li>3. Diskette Drive Cable</li> </ol>
Other display symptoms not listed above (including blank or illegible display)	<ol style="list-style-type: none"> <li>1. <b>Display</b></li> <li>2. System Board</li> </ol>
Power-on indicator or hard disk drive in-use light not on, but computer works correctly	<ol style="list-style-type: none"> <li>1. Power switch/LED assembly</li> <li>2. System Board</li> </ol>
Printer problems	<ol style="list-style-type: none"> <li>1. <b>Printer</b></li> <li>2. System Board</li> </ol>
Program loads from the hard disk with a known-good diagnostics diskette in the first 3.5-inch diskette drive	<ol style="list-style-type: none"> <li>1. <b>Run Setup</b> and check Startup sequence.</li> <li>2. Diskette Drive</li> <li>3. Diskette Drive Cable</li> <li>4. System Board</li> <li>5. Power Supply</li> </ol>
RPL computer cannot access programs from its own hard disk.	<ol style="list-style-type: none"> <li>1. <b>If network administrator is using LCCM Hybrid RPL, check startup sequence:</b> <ol style="list-style-type: none"> <li>a. <b>First device - network</b></li> <li>b. <b>Second device - hard disk</b></li> </ol> </li> <li>2. Hard disk drive</li> </ol>
RPL computer does not RPL from server	<ol style="list-style-type: none"> <li>1. <b>Check startup sequence</b></li> <li>2. Check the network adapter LED status</li> </ol>
Serial or parallel port device failure (system board port)	<ol style="list-style-type: none"> <li>1. <b>External Device Self-Test OK?</b></li> <li>2. External Device</li> <li>3. Cable</li> <li>4. System Board</li> </ol>
Serial or parallel port device failure (adapter port)	<ol style="list-style-type: none"> <li>1. <b>External Device Self-Test OK?</b></li> <li>2. External Device</li> <li>3. Cable</li> <li>4. Alternate Adapter</li> <li>5. System Board</li> </ol>
Some or all keys on the keyboard do not work	<ol style="list-style-type: none"> <li>1. <b>Keyboard</b></li> <li>2. Keyboard Cable</li> <li>3. System Board</li> </ol>

---

## Undetermined problems

If this computer has a parallel ATA hard disk drive, make sure that the hard disk drive is jumpered as a master and the optical drive is jumpered as a slave.

1. Power-off the computer.
2. Remove or disconnect the following components (if installed) one at a time.
  - a. External devices (modem, printer, or mouse)
  - b. Any adapters



- c. Memory modules
  - d. Extended video memory
  - e. External Cache
  - f. External Cache RAM
  - g. Hard disk drive
  - h. Diskette drive
3. Power-on the computer to re-test the system.
  4. Repeat steps 1 through 3 until you find the failing device or adapter.

If all devices and adapters have been removed, and the problem continues, replace the system board.



---

## Chapter 8. Replacing FRUs (Types 6008, 6068, 6074, 9012, 9018, 9087, 9163, 9172, and 9193)

**Important**

Before you replace any FRU, read Chapter 2, "Safety information," on page 3. These precautions and guidelines will help you work safely.

FRU replacements are to be done by trained service technicians only.

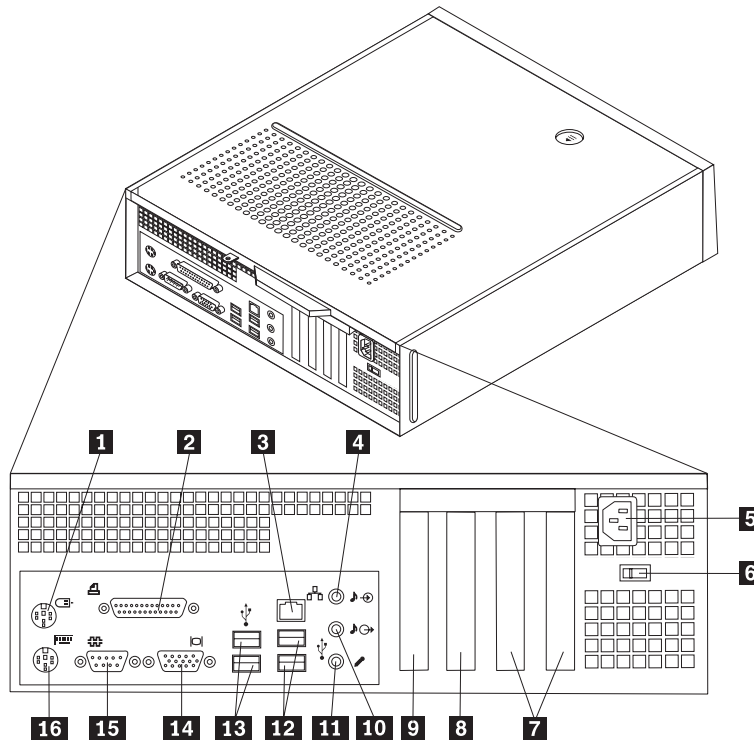
This chapter does not contain a remove and replace procedure for all FRUs. Only the major FRUs are documented.

## Locations

The following illustrations will help when locating connectors, controls and components of the computer.

### Rear connectors

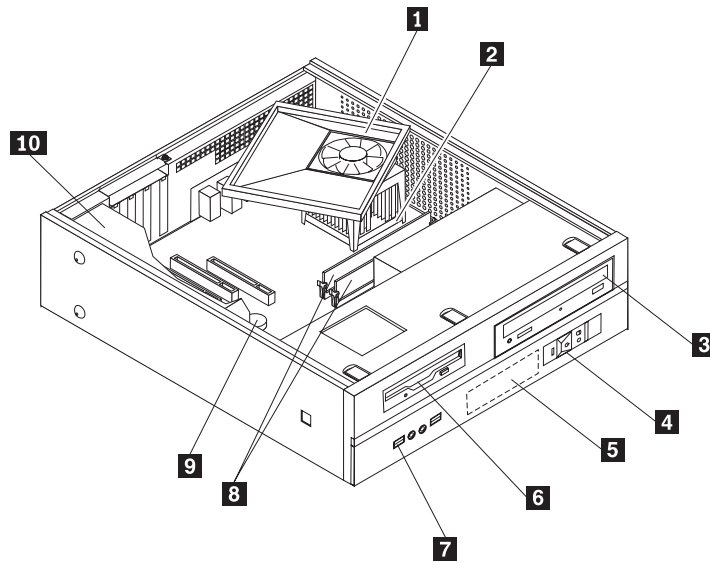
The following illustration shows the locations of the connectors on the rear of the computer.



- |          |   |           |   |
|----------|---|-----------|---|
| <b>1</b> | Standard mouse connector  | <b>9</b>  | PCI Express x16 adapter connector or )<br>PCI Express x1 adapter connector (some<br>models) |
| <b>2</b> | Parallel connector  | <b>10</b> | Audio line out connector  |
| <b>3</b> | Ethernet connector  | <b>11</b> | Microphone connector  |
| <b>4</b> | Audio line in connector   | <b>12</b> | USB connectors (2)  |
| <b>5</b> | Power cord connector  | <b>13</b> | USB connectors (2)  |
| <b>6</b> | Voltage selection switch (some<br>models)   | <b>14</b> | VGA monitor connector   |
| <b>7</b> | PCI adapter connectors  | <b>15</b> | Serial connector  |
| <b>8</b> | PCI Express x16 adapter connector<br>or ) PCI Express x1 adapter<br>connector (some models) | <b>16</b> | Standard keyboard connector   |

## Computer components

The following illustration will help you locate the major FRUs in the computer.



**1** Fan plenum, fan, and heat sink

**2** Microprocessor

**3** Optical drive

**4** Power switch/LED assembly

**5** Hard disk drive

**6** Diskette drive

**7** Front panel card

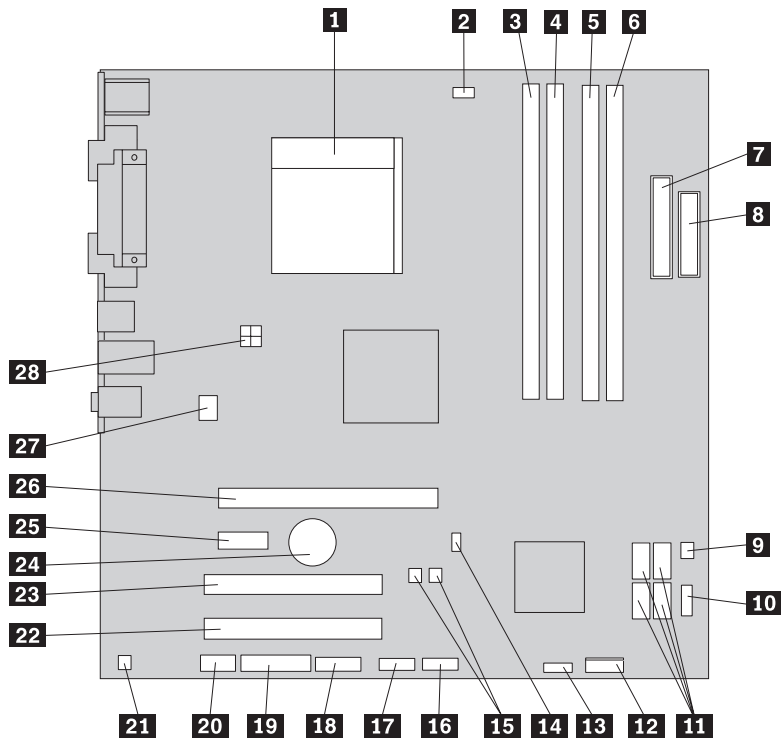
**8** Memory modules

**9** System board

**10** Power supply

## System board connectors

This illustration is to help locate the various system board connectors.



- |           |                              |           |  |
|-----------|------------------------------|-----------|--|
| <b>1</b>  | Microprocessor fan connector | <b>15</b> | Flash BIOS jumper                          |
| <b>2</b>  | Microprocessor and heat sink | <b>16</b> | Front USB connector                        |
| <b>3</b>  | Memory connector 1           | <b>17</b> | Front USB connector                        |
| <b>4</b>  | Memory connector 2           | <b>18</b> | Serial (COM) connector                     |
| <b>5</b>  | Memory connector 3           | <b>19</b> | LEO connector                              |
| <b>6</b>  | Memory connector 4           | <b>20</b> | Front audio connector                      |
| <b>7</b>  | Power connector              | <b>21</b> | Mono out connector                         |
| <b>8</b>  | Diskette drive connector     | <b>22</b> | PCI adapter connector                      |
| <b>9</b>  | Thermal sensor connector     | <b>23</b> | PCI adapter connector                      |
| <b>10</b> | Front USB connector          | <b>24</b> | Battery                                    |
| <b>11</b> | Serial ATA connectors (4)    | <b>25</b> | PCI Express x1 adapter connector           |
| <b>12</b> | Front panel connector        | <b>26</b> | PCI Express x16 graphics adapter connector |
| <b>13</b> | Power fan connector          | <b>27</b> | System fan connector                       |
| <b>14</b> | Tamper switch connector      | <b>28</b> | 12V power connector                        |

---

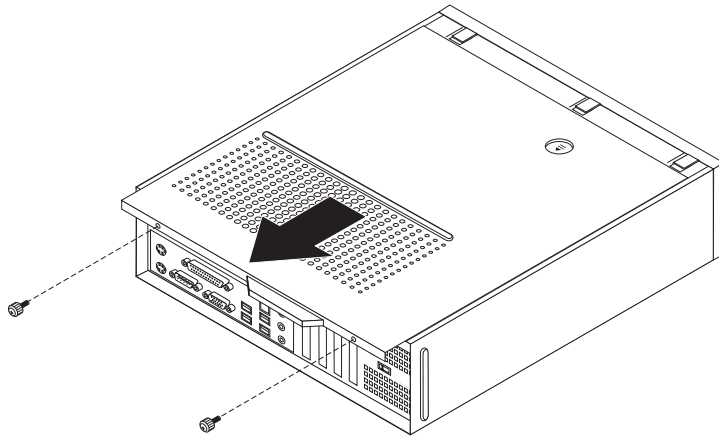
## Removing the cover

### Important

Read Chapter 2, “Safety information,” on page 3 and “Handling electrostatic discharge-sensitive devices” on page 6 before opening the cover.

This procedure describes how to remove the cover.

1. Remove any media (diskettes, CDs, or tapes) from the drives, shut down the operating system, and turn off all attached devices.
2. Unplug all power cords from electrical outlets.
3. Disconnect all cables attached to the computer. This includes power cords, input/output (I/O) cables, and any other cables that are connected to the computer.
4. Remove any locking devices such as a padlock that secure the cover.
5. If the cover is secured with thumbscrews, remove them.
6. Press the button near the front of the computer cover and slide the cover to the rear.



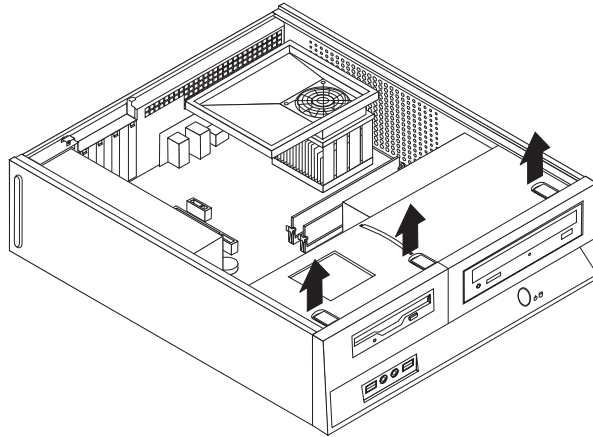
---

## Accessing system board components and drives

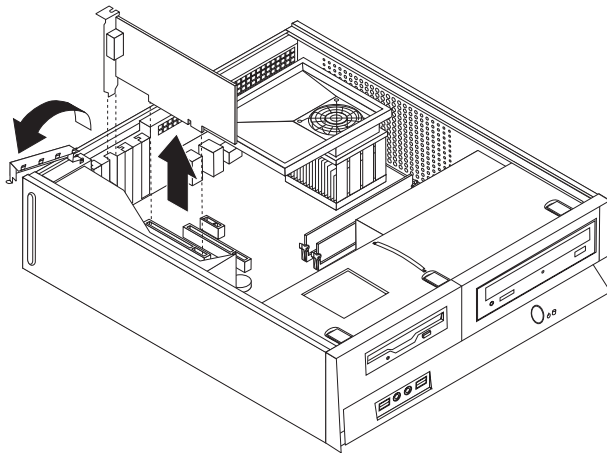
You might need to remove the drive bay assembly to access system board components such as memory, the battery, and CMOS.

To access system board components and the drives:

1. Remove the computer cover. See “Removing the cover” on page 89.
2. Remove the front bezel by releasing the three tabs and pivoting the bezel forward to remove completely.

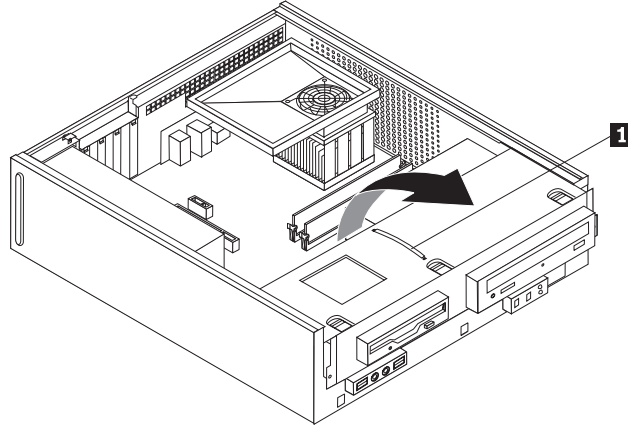


3. In some models, you might have to remove the PCI adapter in order to gain access to the battery.





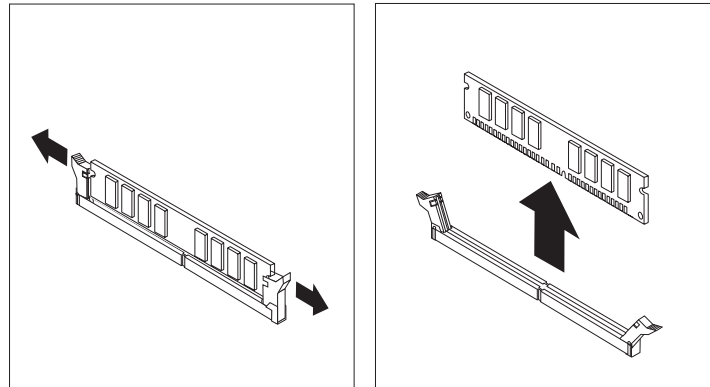
4. Using the blue handle **1**, lift and slide the drive bay assembly forward until the locating studs in the drive bay assembly are aligned with the slots on the sides of the chassis. Pull upward on the handle to remove the drive bay assembly completely from the chassis. Depending on what component of the computer you want to remove, you can either disconnect the cables from the rear of the drives or leave them connected.



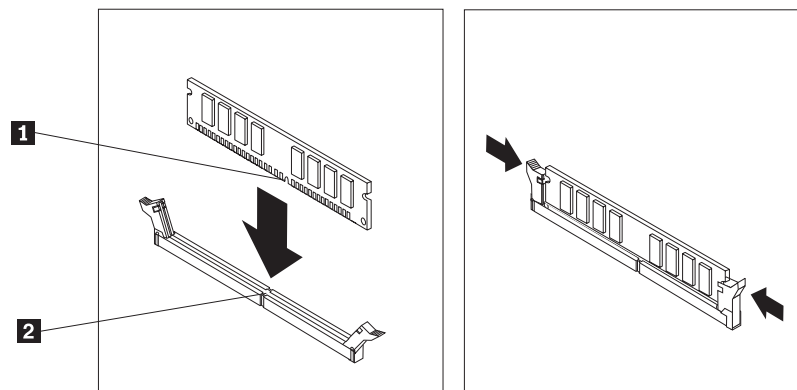
## Replacing a memory module

This procedure describes how to remove and replace a memory module.

1. Remove the cover. See “Removing the cover” on page 89.
2. You might have to remove the drive bay assembly to access the memory connectors. See “Accessing system board components and drives” on page 90.
3. Remove the memory module being replaced by opening the retaining clips as shown.



4. Position the replacement memory module over the memory connector. Make sure that the notch **1** on the memory module aligns correctly with the connector key **2** on the system board. Push the memory module straight down into the memory connector until the retaining clips close.



5. Slide the drive bay assembly towards the rear of the chassis until it snaps into position.
6. Reinstall the front bezel.
7. Go to “Completing the FRU replacement” on page 112.

---

## Replacing the CMOS battery

If the CMOS battery fails, the date, time, and configuration information (including passwords) are lost. An error message is displayed when you turn on the computer.

### Important

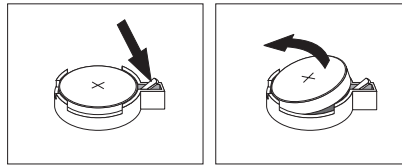
Refer to “Safety notices (multi-lingual translations)” on page 7 for information about replacing and disposing of the battery.

### CAUTION:

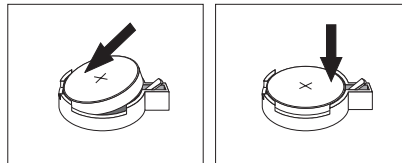
**When replacing the lithium battery, use only Part Number 33F8354 or an equivalent type battery recommended by the manufacturer.**

This procedure describes how to remove and replace the CMOS battery.

1. Remove the cover. See “Removing the cover” on page 89.
2. Locate the battery. See the system board illustration for your machine type at “System board connectors” on page 88.
3. You might have to remove any PCI adapters that impede access to the battery.
4. Remove the old battery.



5. Install the new battery.



6. Replace any PCI adapters that were removed.

**Note:** When the computer is turned on for the first time after battery replacement, an error message might be displayed. This is normal after replacing the battery.

7. Go to “Completing the FRU replacement” on page 112.

## Replacing the power supply

### Attention

Never remove the cover on a power supply or any part that has the following label attached.



Hazardous voltage, current, and energy levels are present inside any component that has this label attached. There are no serviceable parts inside these components.

This procedure describes how to remove and replace the power supply.

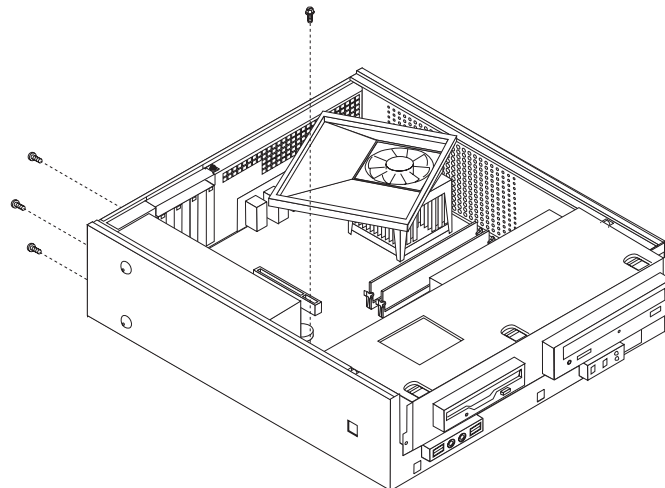
1. Remove the cover. See “Removing the cover” on page 89.
2. Remove the drive bay assembly. See “Accessing system board components and drives” on page 90.
3. Disconnect all power supply cables from the system board. See the system board diagram for your machine type at “System board connectors” on page 88.
4. Remove the hard disk drive. See “Replacing the hard disk drive” on page 104.

**Note:** Observe the power supply cable routing underneath the hard disk drive.

5. The system board must be moved out of the way to remove the power supply. Remove the screws that secure the system board to the chassis and slide the system board away from the power supply.

**Note:** You do not have to remove the system board from the chassis to remove the power supply.

6. At the rear of the chassis, remove the three screws that secure the power supply. Also remove the screw that secures the power supply at the front.



7. Lift the power supply out of the chassis.
8. If the power supply has a voltage-selection switch, ensure that it is set to match the voltage available at the electrical outlet.
  - If the voltage supply range in your local country or region is 100-127 V ac, set the switch to 115 V.
  - If the voltage supply range in your local country or region is 200-240 V ac, set the switch to 230 V.
9. Install the new power supply and install the three screws that secure the power supply at the rear of the chassis and install the screw that secures the power supply at the front.
10. Position the system board so that the screws holes are properly aligned and install the system board screws.
11. Route the power supply cable through the cable clamps underneath the hard disk drive and reconnect all power supply cables to the system board.
12. Install the hard disk drive. See “Replacing the hard disk drive” on page 104.
13. Align the drive bay assembly studs with the two slots on the sides of the chassis and place it into position. Reconnect any diskette drive and optical drive cables that were disconnected.
14. Using the blue handle, slide the drive bay assembly towards the rear of the chassis until it snaps into position.
15. Reinstall the front bezel.
16. Go to “Completing the FRU replacement” on page 112.

## Replacing the system board

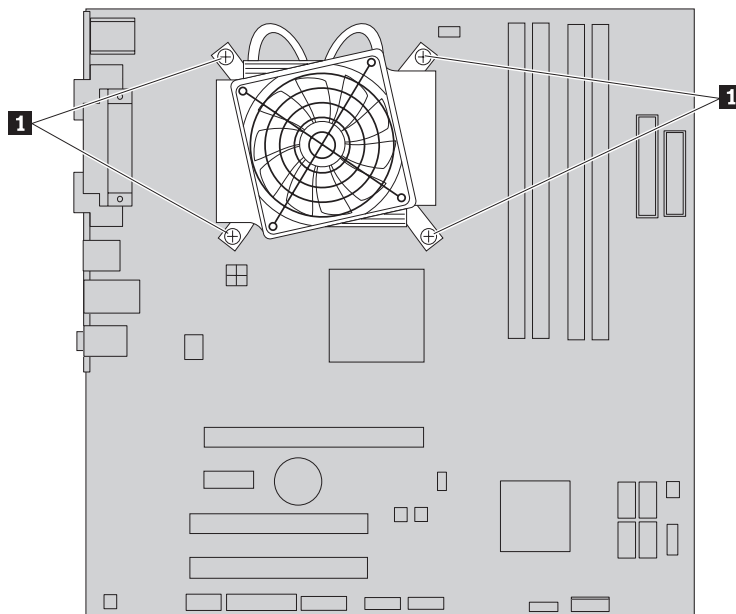
This procedure describes how to remove and replace a memory module. The procedure varies depending upon the machine type.

### Important

The heat sink and microprocessor might be very hot. Make sure these components are cool enough to safely handle before continuing this procedure.

**Note:** When replacing the system board you must also order a new retention module for the new system board. Make sure you have a retention module for the new system board before continuing with this procedure.

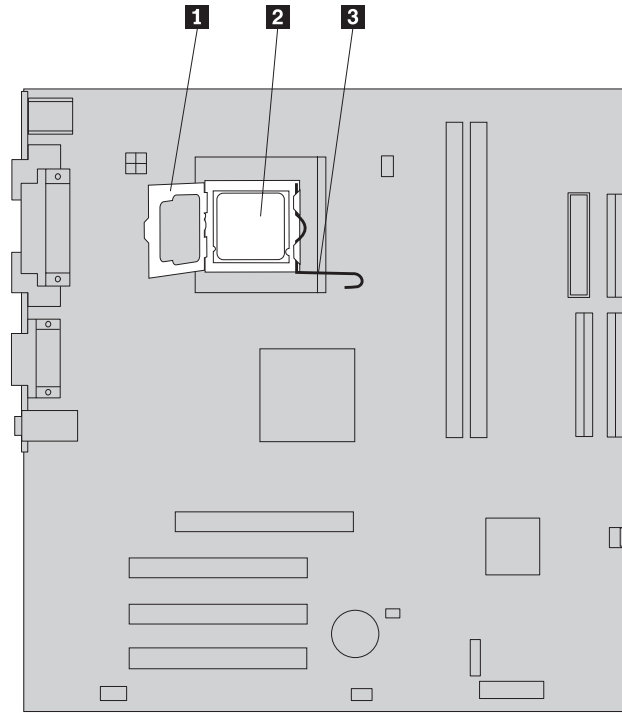
1. Remove the cover. See “Removing the cover” on page 89.
2. Lift the fan duct off the heat sink fan.
3. Remove any adapter cards installed in the PCI connectors.
4. You might have to remove the drive bay assembly to access the system board. See “Accessing system board components and drives” on page 90.
5. Take note of the location of all cable connections on the system board and disconnect all cables. See the system board illustration for your machine type at “System board connectors” on page 88.
6. Remove the hard disk drive. See “Replacing the hard disk drive” on page 104.
7. Remove the screws that secure the system board to the chassis.
8. Lift the system board out of the chassis.
9. Remove the memory modules from the failing system board and install them in the same location on the new system board.
10. Disconnect the heat sink and fan assembly cable from the system board. See the system board illustration for your machine type at “System board connectors” on page 88.
11. Remove the four screws securing the heat sink and fan assembly to the system board.



12. Lift the heat sink and fan assembly off the failing system board. Place the heat sink on its side so that the thermal grease does not come in contact with anything.

**Note:** You might have to gently twist the heat sink to free it from the microprocessor.

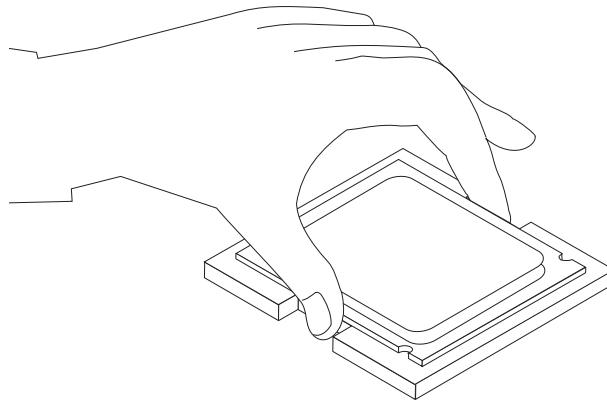
13. To remove the microprocessor **2** from the system board, lift the small handle **3** and open the retainer **1**.



**Important**

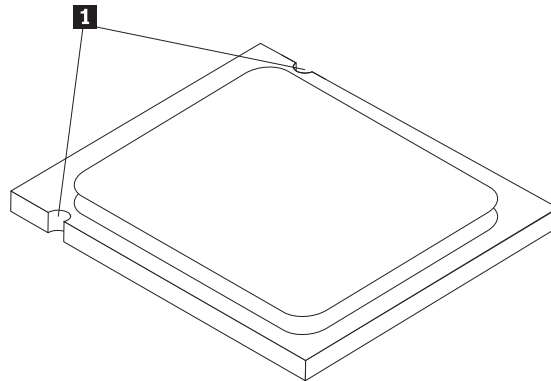
Touch only the sides of the microprocessor. Do not touch the gold contacts on the bottom.

14. Lift the microprocessor straight up and out of the socket.



**Notes:**

- a. Notice the orientation of the notches **1** on the microprocessor. This is important when reinstalling the microprocessor on the new system board.



- b. Do not drop anything onto the microprocessor socket while it is exposed. The socket pins must be kept as clean as possible.
15. On the new system board, release the lever securing the microprocessor retainer and then pivot the retainer until it is fully open.

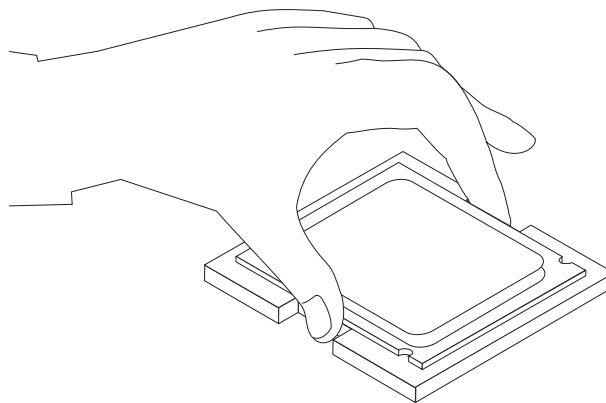
**Note:** There will be a black plastic cover on the microprocessor retainer to protect the socket on the new system board. Remove the black plastic cover and place it on the microprocessor socket of the failing system board when you complete this procedure.

16. Holding the microprocessor with your fingers, position the microprocessor so that the notches on the microprocessor are aligned with the tabs in the microprocessor socket on the new system board.

**Important**

To avoid damaging the microprocessor contacts, do not tilt the microprocessor when installing it into the socket.

17. Lower the microprocessor straight down into the system board socket of the new system board.



18. To secure the microprocessor in the socket, close the microprocessor retainer and lock it into position with the small handle.
19. Install the new retention module (if required) on the new system board.
20. Install the heat sink and fan assembly on the new system board.



21. Reconnect the heat sink and fan assembly cable to the system board. See the system board illustration for your machine type at “System board connectors” on page 88.
22. Install the new system board into the chassis and align the screw holes with those in the chassis. Insert and tighten the screws that secure the system board.
23. Reconnect all cables that were disconnected from the system board.
24. Reinstall the hard disk drive. See “Replacing the hard disk drive” on page 104.
25. Align the drive bay assembly with the two slots and rails on the sides of the chassis, reconnect the drive cables on the system board, and then slide the drive bay assembly towards the rear of the chassis until it snaps into position.
26. Reinstall the front bezel.
27. Reinstall any PCI adapter cards that were removed.
28. Position the fan duct on the heat sink fan.
29. Go to “Completing the FRU replacement” on page 112.

---

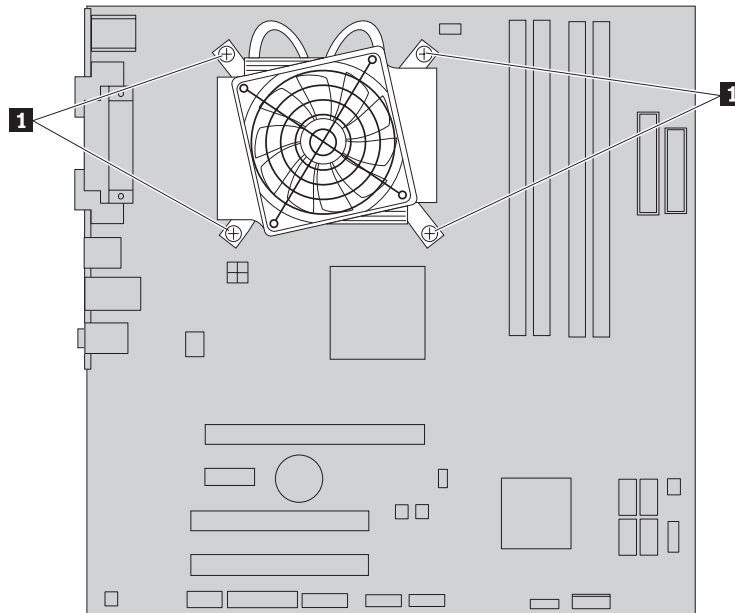
## Replacing the microprocessor

This procedure describes how to remove and replace the power supply. The procedure varies depending upon the machine type.

### Important

The heat sink and microprocessor might be very hot. Make sure these components are cool enough to safely handle before continuing this procedure.

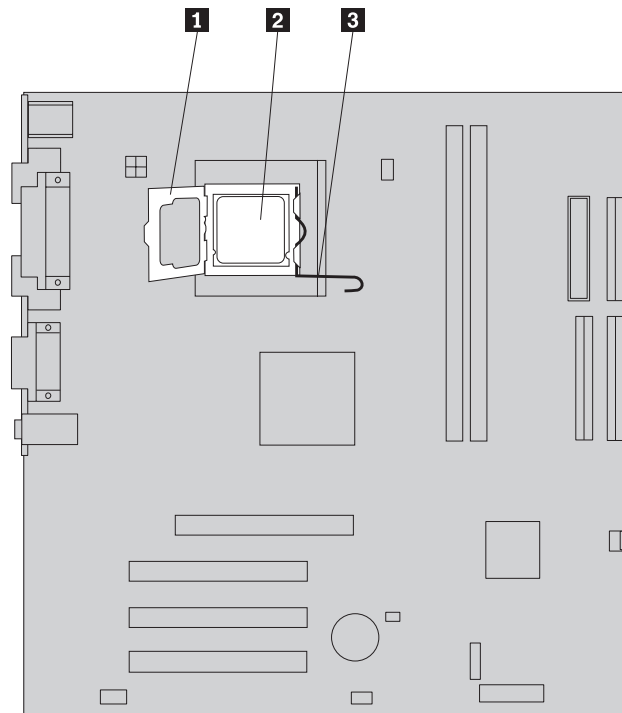
1. Remove the cover. See “Removing the cover” on page 89.
2. Lift the fan duct off the heat sink fan.
3. Disconnect the heat sink and fan assembly cable from the system board. See the system board illustration for your machine type at “System board connectors” on page 88.
4. Remove the four screws securing the heat sink and fan assembly to the system board.



5. Lift the heat sink and fan assembly off the system board. Place the heat sink on its side so that the thermal grease does not come in contact with anything.

**Note:** You might have to gently twist the heat sink to free it from the microprocessor.

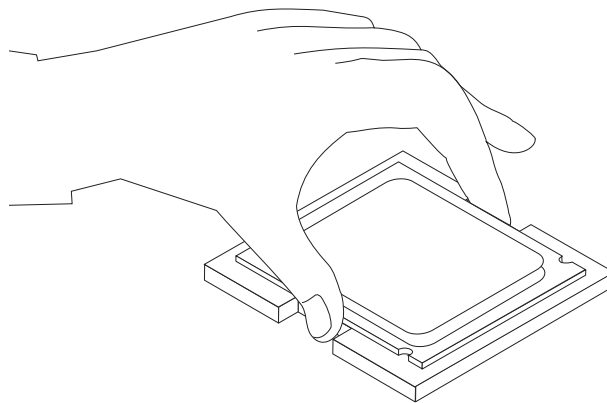
- To remove the microprocessor **2** from the system board, lift the small handle **3** and open the retainer **1**.



**Important**

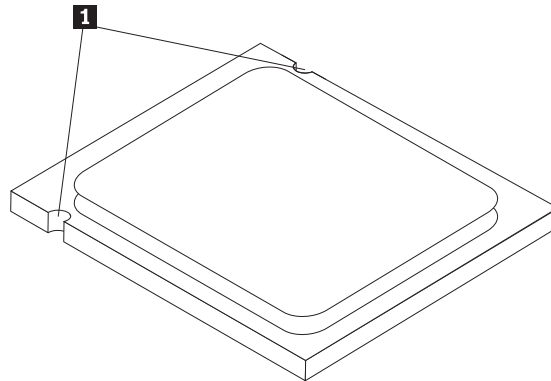
Touch only the sides of the microprocessor. Do not touch the gold contacts on the bottom.

- Lift the microprocessor straight up and out of the socket.

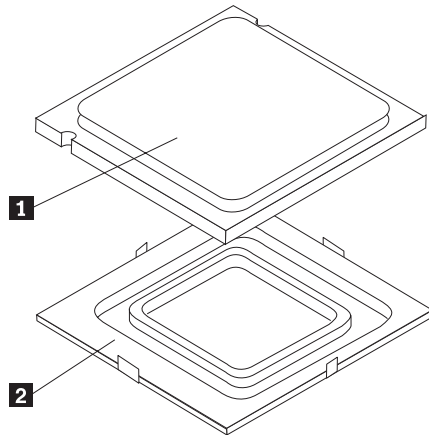


**Notes:**

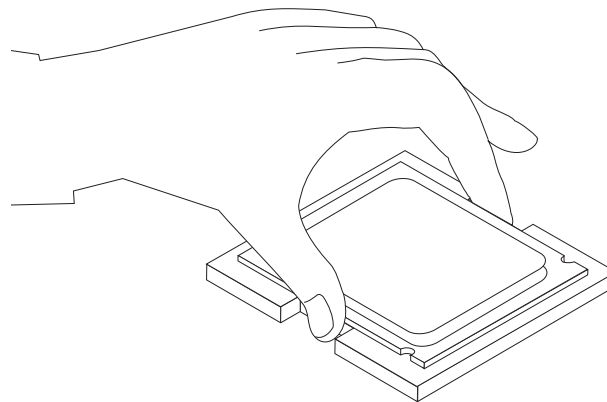
- a. Note the orientation of the notches **1** on the microprocessor. This is important when reinstalling the microprocessor on the system board.



- b. Do not drop anything onto the microprocessor socket while it is exposed. The socket pins must be kept as clean as possible.
8. Make sure that the microprocessor retainer is fully open.
9. Holding the microprocessor with your fingers, remove the protective cover **2** that protects the gold contacts on the new microprocessor **1**.

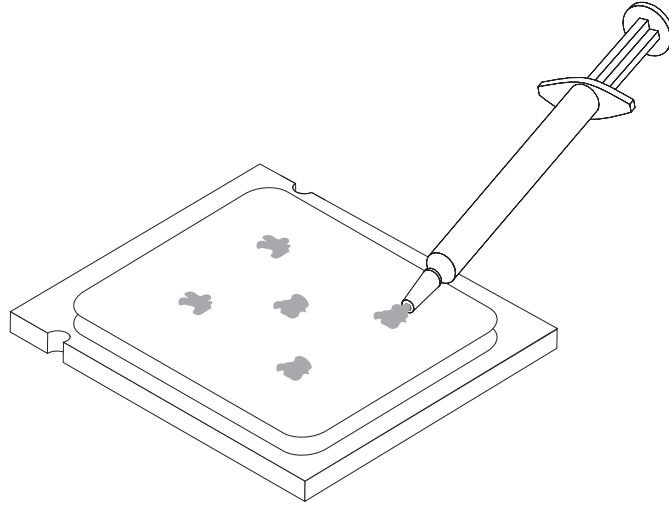


10. Holding the microprocessor with your fingers, align the notches on the microprocessor with the tabs in the microprocessor socket
11. Lower the microprocessor straight down into the socket.



12. To secure the microprocessor in the socket, close the microprocessor retainer and lock it into position with the small handle.

13. Use the thermal grease syringe to place five drops of grease on the top of the microprocessor. Each drop of grease should be 0.03ml (3 tick marks on the grease syringe).



14. Install the heat sink and fan assembly on the system board.
15. Connect the heat sink and fan assembly cable to the system board. See the system board illustration for your machine type at "System board connectors" on page 88.
16. Position the fan duct on the heat sink fan.
17. Go to "Completing the FRU replacement" on page 112.

---

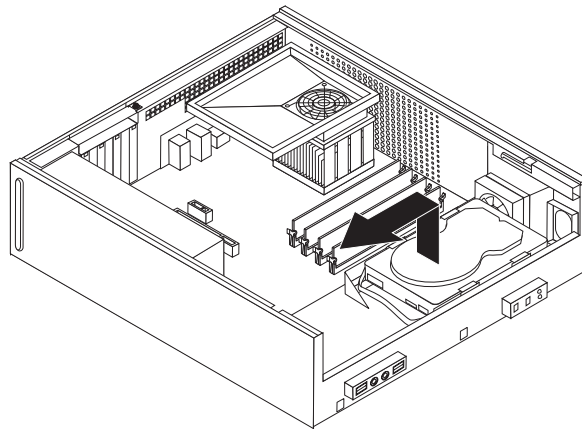
## Replacing the hard disk drive

### Important

When a new hard disk drive is installed, a set of *Product Recovery* discs might be required. The set of *Product Recovery* discs enable the contents of the hard disk to be restored to the same state as when the computer was originally shipped from the factory. For more information on recovering factory-installed software, refer to "Recovering Software" in the *User Guide*.

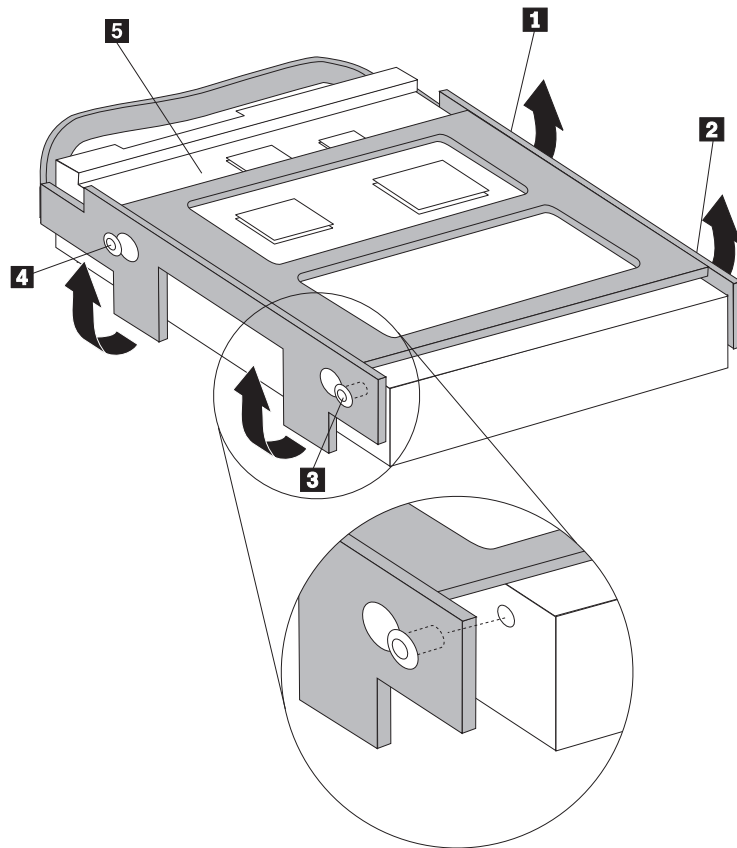
This procedure describes how to remove and replace the hard disk drive.

1. Remove the cover. See "Removing the cover" on page 89.
2. Remove the drive bay assembly. See "Accessing system board components and drives" on page 90.
3. Use the blue handle to pivot the hard disk drive and bracket upward, slide the hard drive to the left until it is free of the retaining clips in the bottom of the chassis, and then completely remove it from the chassis.



4. Disconnect the signal and power cables from the rear of the hard disk drive.
5. Remove the blue bracket from the failing hard disk drive by flexing the bracket.

6. Install the new drive into the blue bracket, flex the bracket, and align the pins **1** through **4** on the bracket with the holes in the hard disk drive. Do not touch the circuit board **5** on the bottom of the hard disk drive.



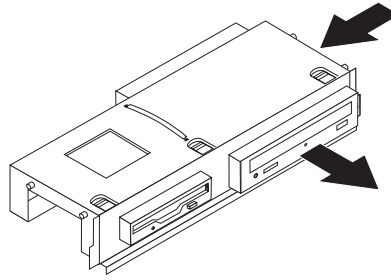
7. Connect the signal and power cables to the rear of the hard disk drive.
8. Position the hard disk drive and bracket so that it engages the retaining clips in the bottom of the chassis when you slide the bracket to the right.
9. Slide the hard disk drive and bracket to the right until it snaps into position.
10. Align the drive bay assembly studs with the two slots on each side of the chassis and reconnect the diskette drive and optical drive cables (if disconnected).
11. Slide the drive bay assembly towards the rear of the chassis until it snaps into position.
12. Reinstall the front bezel.
13. Go to "Completing the FRU replacement" on page 112.

---

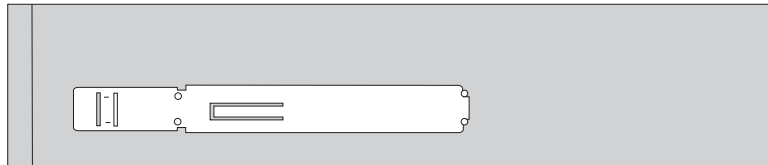
## Replacing an optical drive

This procedure describes how to remove and replace an optical drive.

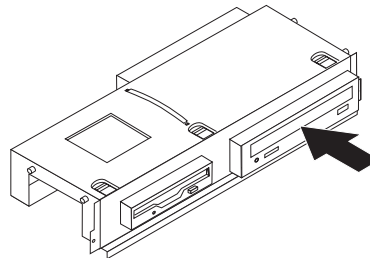
1. Remove the cover. See “Removing the cover” on page 89.
2. Remove the drive bay assembly. See “Accessing system board components and drives” on page 90.
3. Release the optical drive from the drive bay assembly by pressing inward on the blue retainer at the side of the drive.
4. Slide the optical drive being replaced out the front of the drive bay assembly.



5. Remove the retainer bracket from the failing drive and install it on the new drive.



6. Install the new optical drive into the bay until it snaps into position.



7. Reconnect the signal and power cables to the rear of the optical drive.
8. Align the drive bay assembly with the two slots and rails on the sides of the chassis and slide the drive bay assembly towards the rear of the chassis until it snaps into position.
9. Reinstall the front bezel.
10. Go to “Completing the FRU replacement” on page 112.

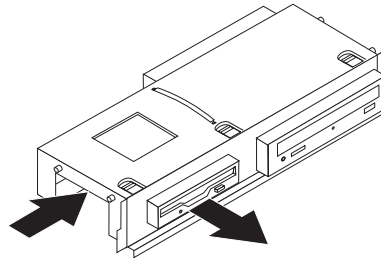


---

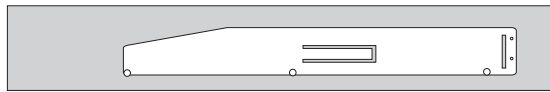
## Replacing the diskette drive

This procedure describes how to remove and replace a diskette drive.

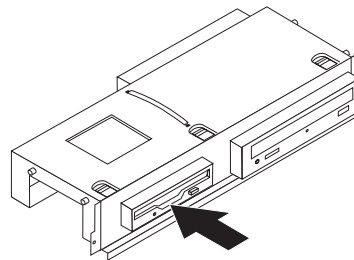
1. Remove the cover. See “Removing the cover” on page 89.
2. Remove the drive bay assembly. See “Accessing system board components and drives” on page 90.
3. Release the diskette drive by pressing inward on the blue retainer at the side of the drive.
4. Remove the failing diskette drive by sliding it out the front of the drive bay assembly.



5. Remove the retainer bracket from the failing drive and install it on the new drive.



6. Install the new diskette drive into the drive bay from the front until it snaps into position.



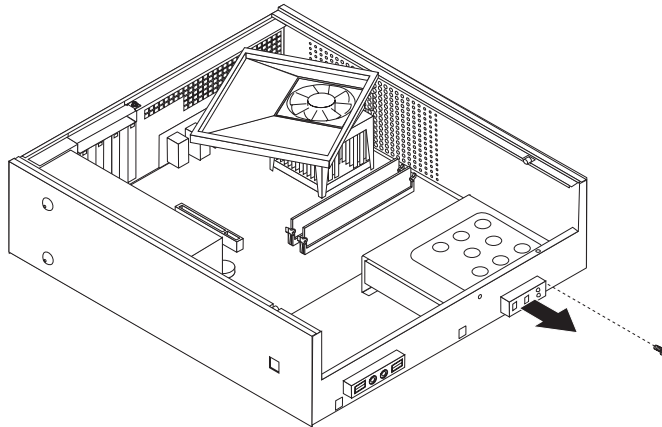
7. Reconnect the signal and power cables to the rear of the diskette drive.
8. Align the drive bay assembly with the two slots and rails on the sides of the chassis and slide the drive bay assembly towards the rear of the chassis until it snaps into position.
9. Reinstall the front bezel.
10. Go to “Completing the FRU replacement” on page 112.

---

## Replacing the power switch/LED assembly

This procedure describes how to remove and replace the power switch/LED assembly.

1. Remove cover. See “Removing the cover” on page 89.
2. Remove the drive bay assembly. See “Accessing system board components and drives” on page 90.
3. Remove the hard disk drive. See “Replacing the hard disk drive” on page 104.
4. Disconnect the power switch/LED assembly cable from the system board. See the system board illustration for your machine type at “System board connectors” on page 88.
5. Remove the screw that secures the power switch/LED assembly to the chassis.



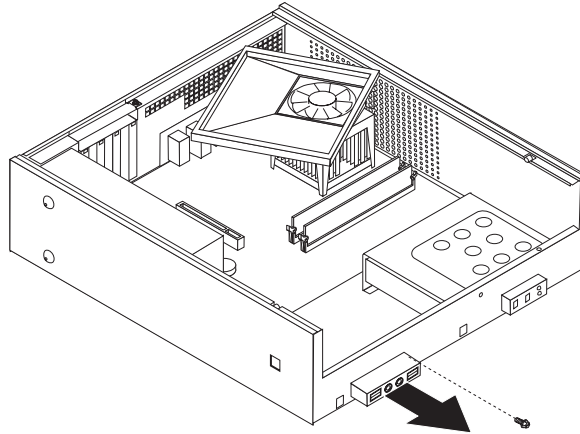
6. Note the power switch/LED assembly cable routing and remove the assembly from the chassis.
7. Route the cable for the new power switch/LED assembly through the hole in the chassis and to the system board.
8. Install the power switch/LED assembly into the chassis and secure the assembly with the screw.
9. Connect the power switch/LED cable to the system board.
10. Reinstall the hard disk drive. See “Replacing the hard disk drive” on page 104.
11. Align the drive bay assembly with the two slots and rails on the sides of the chassis slide the drive bay assembly towards the rear of the chassis until it snaps into position.
12. Reinstall the front bezel.
13. Go to “Completing the FRU replacement” on page 112.

---

## Replacing the front panel card

This procedure describes how to remove and replace the front panel card.

1. Remove cover. See “Removing the cover” on page 89.
2. Remove the drive bay assembly. See “Accessing system board components and drives” on page 90.
3. Disconnect the front panel assembly cables from the system board. See the system board illustration for your machine type at “System board connectors” on page 88.
4. Remove the screw that secures the front panel card assembly to the chassis.



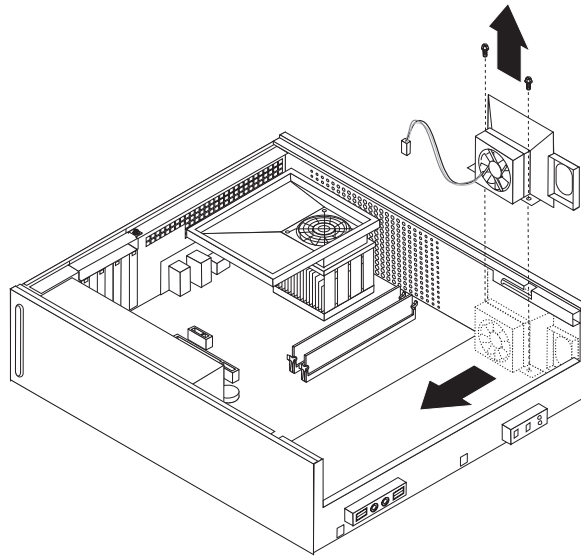
5. Note the front panel assembly cable routing and remove the assembly from the chassis.
6. Route the cable for the new front panel card assembly through the hole in the chassis and to the system board.
7. Install the front panel card assembly into the chassis and secure it with the screw.
8. Connect the front panel assembly cables to the system board.
9. Align the drive bay assembly with the two slots and rails on the sides of the chassis and slide the drive bay assembly towards the rear of the chassis until it snaps into position.
10. Reinstall the front bezel.
11. Go to “Completing the FRU replacement” on page 112.

---

## Replacing the system fan assembly

This procedure describes how to remove and replace the system fan assembly.

1. Remove cover. See “Removing the cover” on page 89.
2. Remove the drive bay assembly. See “Accessing system board components and drives” on page 90.
3. Remove the hard disk drive. See “Replacing the hard disk drive” on page 104.
4. Disconnect the system fan cable from the system board. See “System board connectors” on page 88.
5. Remove the two screws securing the system fan assembly.
6. Remove the system fan assembly by pulling the bracket outward and lifting it up from the system board to remove completely.



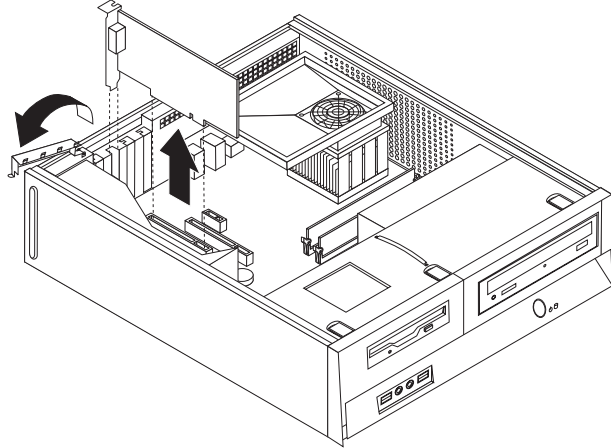
7. Install the new system fan assembly and install the two screws that secure the fan assembly.
8. Connect the system fan cable to the system fan connector on the system board.
9. Reinstall the hard disk drive. See “Replacing the hard disk drive” on page 104.
10. Align the drive bay assembly with the two slots and rails on the sides of the chassis and slide the drive bay assembly towards the rear of the chassis until it snaps into position.
11. Reinstall the front bezel.
12. Go to “Completing the FRU replacement” on page 112.

---

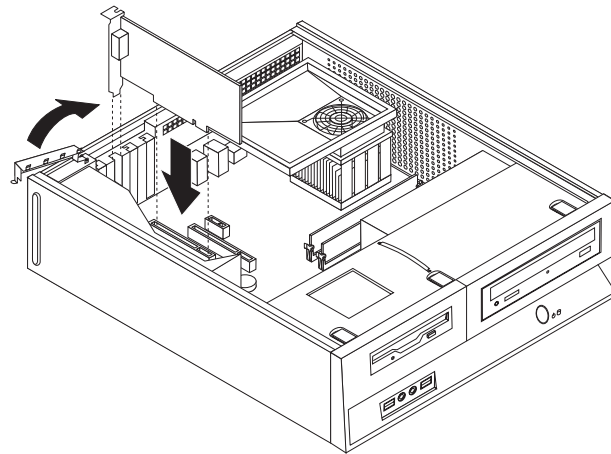
## Replacing a PCI adapter

This procedure describes how to remove and replace a PCI adapter.

1. Remove cover. See “Removing the cover” on page 89.
2. Open the adapter latch and remove the failing adapter.



3. Remove the new adapter from its static-protective package.
4. Install the new adapter into the appropriate connector on the system and close the adapter latch.



5. Go to “Completing the FRU replacement” on page 112.

---

## Completing the FRU replacement

After replacing FRUs, you need to install any removed parts, replace the cover, and reconnect any cables, including telephone lines and power cords. Also, depending on the FRU that is replaced, you might need to confirm the updated information in the Setup Utility program.

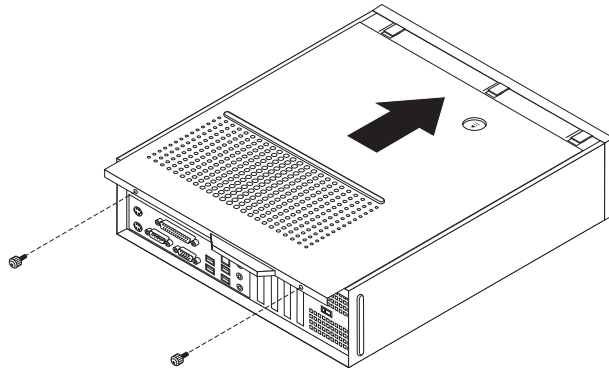
**Note:** When the power cord is first plugged in, the computer might appear to turn on for a few seconds and then turn off. This is a normal sequence to enable the computer to initialize.

1. Ensure that all components have been reassembled correctly and that no tools or loose screws are left inside your computer.
2. Reposition any cables that might impede the replacement of the computer cover.

### **Important**

Correctly route all power supply cables to avoid interference with the drive bay assembly. Keep cables clear of the hinges and sides of the computer chassis.

3. Position the computer cover on the chassis so that the rail guides on the sides of the cover engage the rails and push the cover to the closed position until it snaps into position.



4. If the cover is secured with thumbscrews, install them.
5. Reconnect the external cables and power cords to the computer. See “Rear connectors” on page 86.
6. If you have replaced the system board, you must update (flash) the BIOS. See “Updating (flashing) BIOS from a CD-ROM or diskette” on page 442.
7. Some FRU replacements require the configuration to be updated. See Chapter 6, “Using the Setup Utility,” on page 51.

---

## Chapter 9. Replacing FRUs (Types 6010, 6069, 6075, 6081, 6086, 9013, 9019, 9088, 9160, 9164, 9174, 9194, 9304, 9323, 9326, 9978, and 9979)

**Important**

Before you replace any FRU, read "Important Safety Information" on page 1. These precautions and guidelines will help you work safely.

FRU replacements are to be done by trained service technicians only.

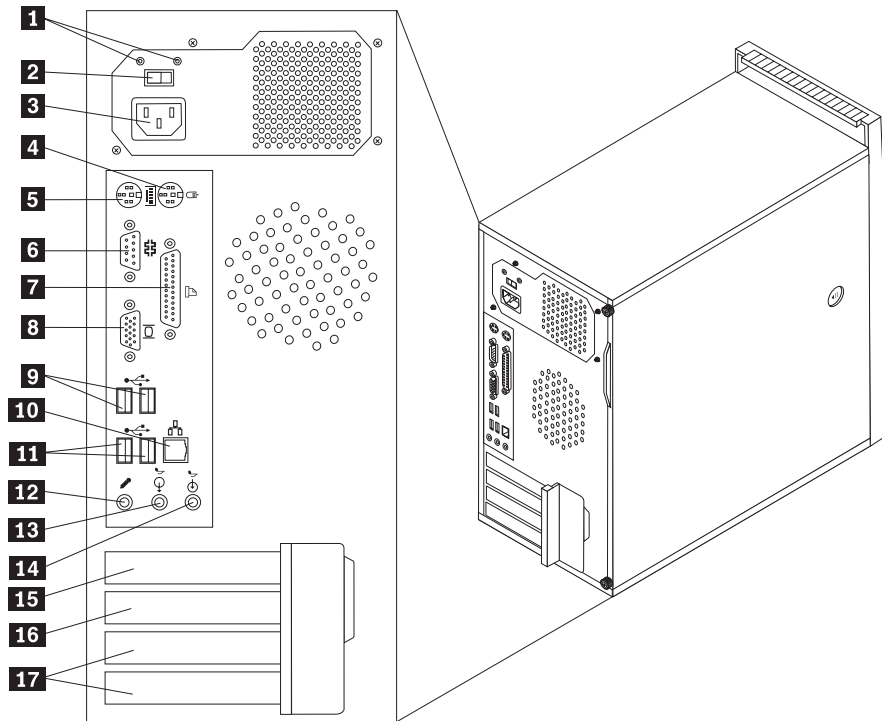
This chapter does not contain a remove and replace procedure for all FRUs. Only the major FRUs are documented.

## Locations

The following illustrations help you locate the various connectors, controls, and components of the computer.

### Rear connectors

The following illustration shows the locations of the connectors on the rear of the computer.



**1** Power supply diagnostic LEDs (some models)

**2** Voltage selection switch (some models)

**3** Power connector

**4** Mouse connector

**5** Keyboard connector

**6** Serial connector

**7** Parallel connector

**8** VGA monitor connector

**9** USB connectors

**10** Ethernet connector

**11** USB connectors

**12** Microphone connector

**13** Audio line out connector

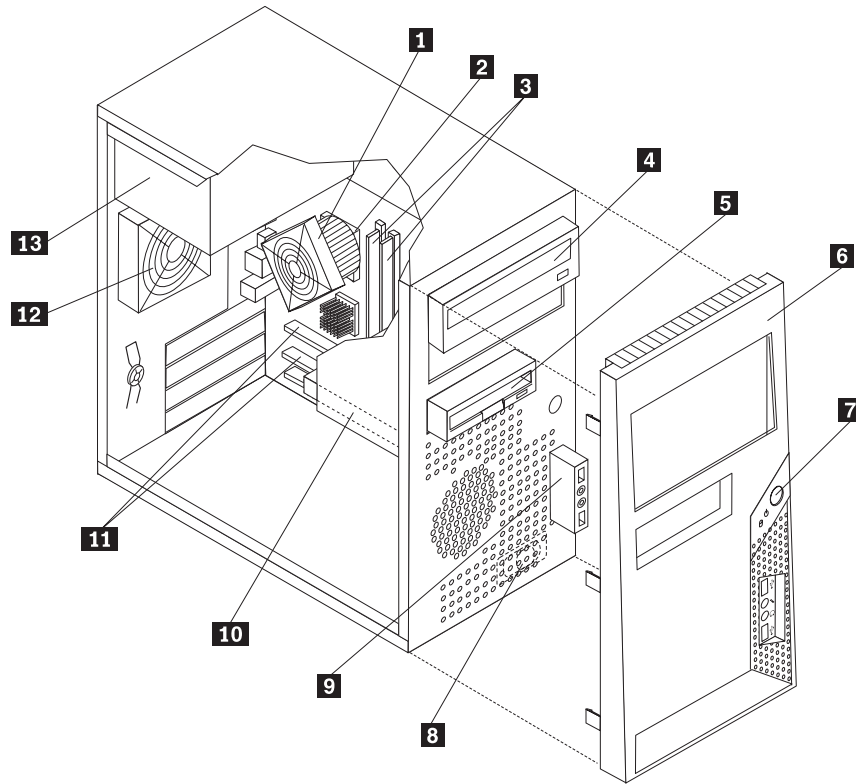
**14** Audio line in connector

**15** PCI and PCI Express adapter slots (type of adapter depends on system board)



## Computer components

The following illustration will help you locate the major FRUs in the computer.



**1** Heat sink and fan assembly

**2** Microprocessor

**3** Memory modules

**4** Optical drive

**5** Diskette drive

**6** Bezel

**7** Power switch/LED assembly

**8** Internal speaker

**9** Front audio/USB assembly

**10** Hard disk drive

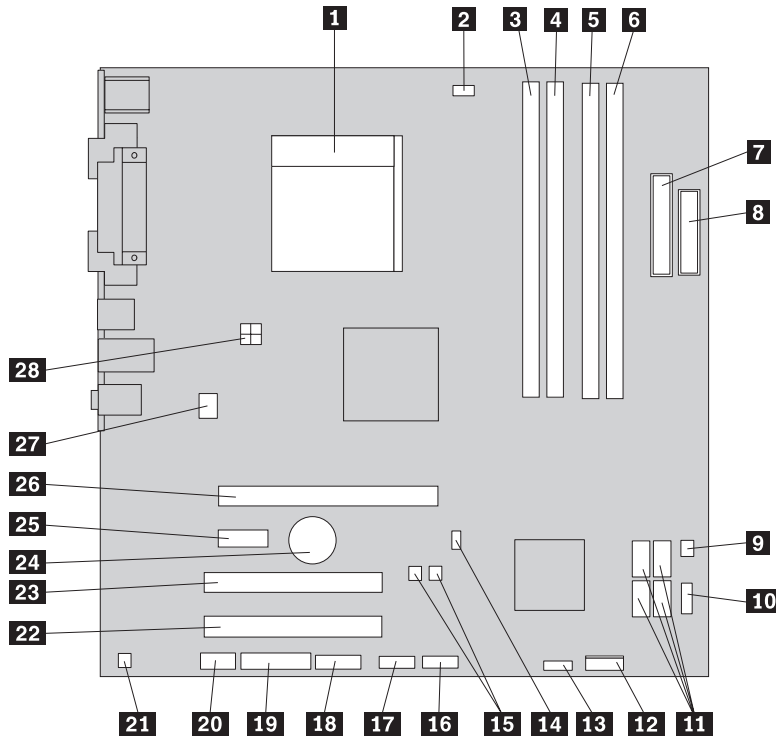
**11** System board

**12** System fan

**13** Power supply

## System board connectors

This illustration is to help locate the various components and connectors on the system board.



- |           |                              |           |  |
|-----------|------------------------------|-----------|--|
| <b>1</b>  | Microprocessor fan connector | <b>15</b> | Flash BIOS jumper                          |
| <b>2</b>  | Microprocessor and heat sink | <b>16</b> | Front USB connector                        |
| <b>3</b>  | Memory connector 1           | <b>17</b> | Front USB connector                        |
| <b>4</b>  | Memory connector 2           | <b>18</b> | Serial (COM) connector                     |
| <b>5</b>  | Memory connector 3           | <b>19</b> | LEO connector                              |
| <b>6</b>  | Memory connector 4           | <b>20</b> | Front audio connector                      |
| <b>7</b>  | Power connector              | <b>21</b> | Mono out connector                         |
| <b>8</b>  | Diskette drive connector     | <b>22</b> | PCI adapter connector                      |
| <b>9</b>  | Thermal sensor connector     | <b>23</b> | PCI adapter connector                      |
| <b>10</b> | Front USB connector          | <b>24</b> | Battery                                    |
| <b>11</b> | Serial ATA connectors (4)    | <b>25</b> | PCI Express x1 adapter connector           |
| <b>12</b> | Front panel connector        | <b>26</b> | PCI Express x16 graphics adapter connector |
| <b>13</b> | Power fan connector          | <b>27</b> | System fan connector                       |
| <b>14</b> | Tamper switch connector      | <b>28</b> | 12V power connector                        |

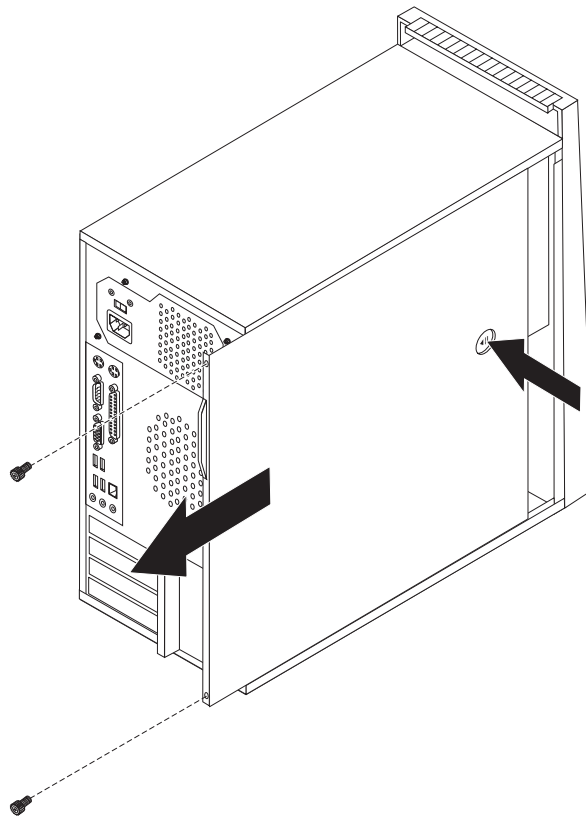
## Removing the cover

### Important

Read Chapter 2, “Safety information,” on page 3 and “Handling electrostatic discharge-sensitive devices” on page 6 before opening the cover.

This procedure describes how to remove the cover.

1. Shut down the operating system, remove any media (DVDs, CDs, or tapes) from the drives, and turn off all attached devices.
2. Unplug all power cords from electrical outlets.
3. Disconnect all cables attached to the computer. This includes power cords, input/output (I/O) cables, and any other cables that are connected to the computer.
4. If there are thumb screws securing the cover, remove them.
5. Press the button on the left-side cover and slide the cover to the rear to remove.

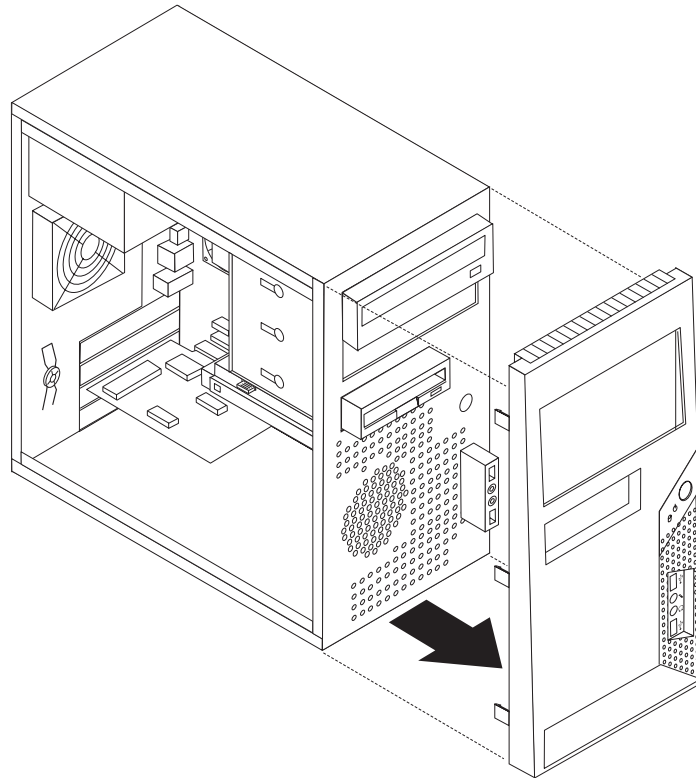


---

## Removing and replacing the front bezel

This procedure describes how to remove and replace the front bezel.

1. Remove the computer cover. See “Removing the cover” on page 117.
2. Remove the front bezel by releasing the three plastic tabs inside the chassis and pivoting the bezel outward. Carefully set the bezel to the side without disconnecting the power switch/LED assembly cable.



3. To reinstall the bezel, align the plastic tabs on the right side of the bezel with the corresponding holes in the chassis, then pivot it inward until it snaps into position on the left side.

---

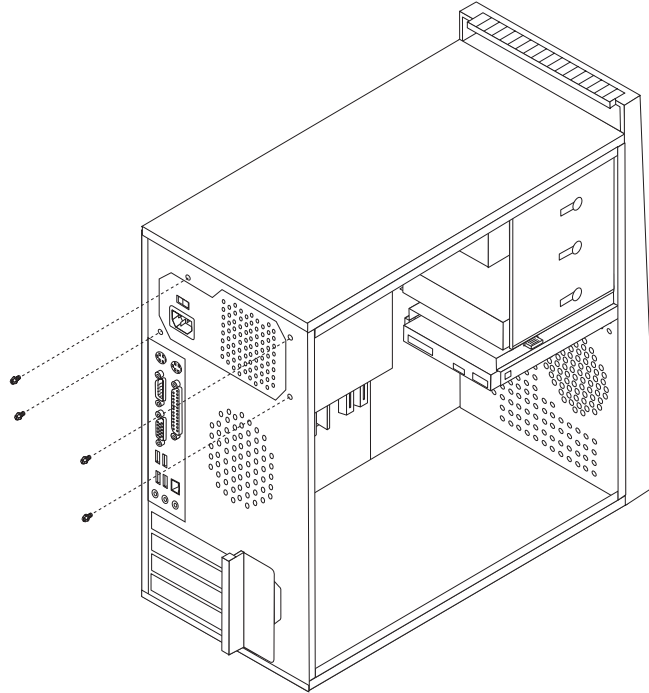
## Replacing the power supply

This procedure describes how to remove and replace the power supply.

1. Remove the computer cover. See “Removing the cover” on page 117.

**Note:** For this procedure, it helps to lay the computer on its side.

2. Disconnect the power supply cables from the system board and from all drives.
3. Remove the four screws that secure the power supply at the rear of the chassis.



4. Lift the power supply out of the chassis.
5. If the power supply has a voltage-selection switch, ensure that it is set to match the voltage available at the electrical outlet.
  - If the voltage supply range in your local country or region is 100-127 V ac, set the switch to 115 V.
  - If the voltage supply range in your local country or region is 200-240 V ac, set the switch to 230 V.
6. Install the new power supply into the chassis so that the screw holes in the power supply align with those in the chassis.
7. Install the four screws to secure the power supply.

**Note:** Use only the screws provided by Lenovo.

8. Reconnect the power supply connectors to the system board. See “System board connectors” on page 116.
9. Reconnect a power supply connector to each of the drives.
10. Go to “Completing the FRU replacement” on page 148.

## Replacing the system board

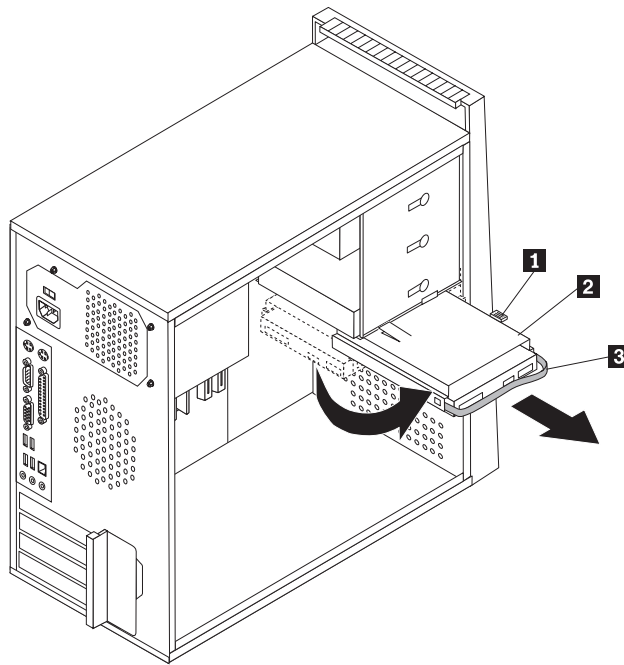
This procedure describes how to remove and replace the system board. The procedure varies depending upon the machine type.

### Important

The heat sink and microprocessor might be very hot. Make sure these components are cool enough to safely handle before continuing this procedure.

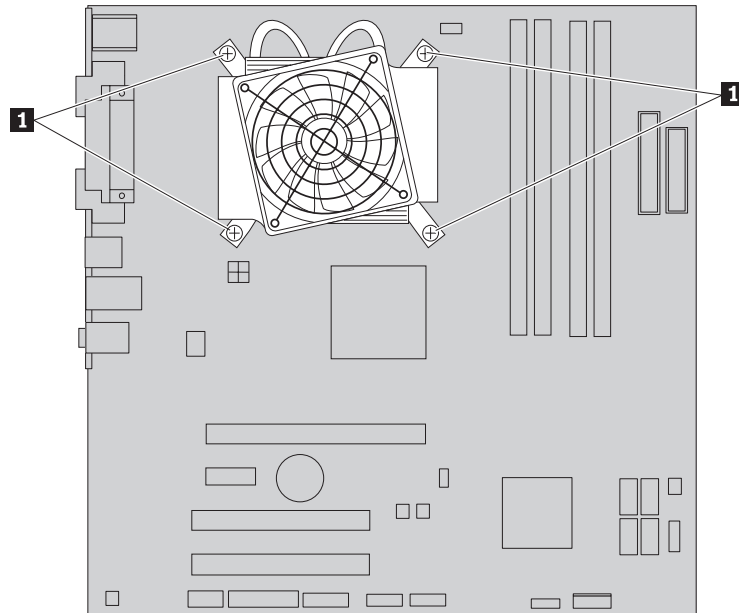
**Note:** When replacing the system board you must also order a new retention module for the new system board. Make sure you have a retention module for the new system board before continuing with this procedure.

1. Remove the cover. See “Removing the cover” on page 117.
2. Place the computer on its right side to help make the system board more accessible.
3. Remove any adapter cards installed in the PCI connectors.
4. Disconnect the signal and power cables from the hard disk drive.
5. Press the release tab **1** down, slide the hard drive cage **2** back, and pivot the hard disk drive outward as shown.



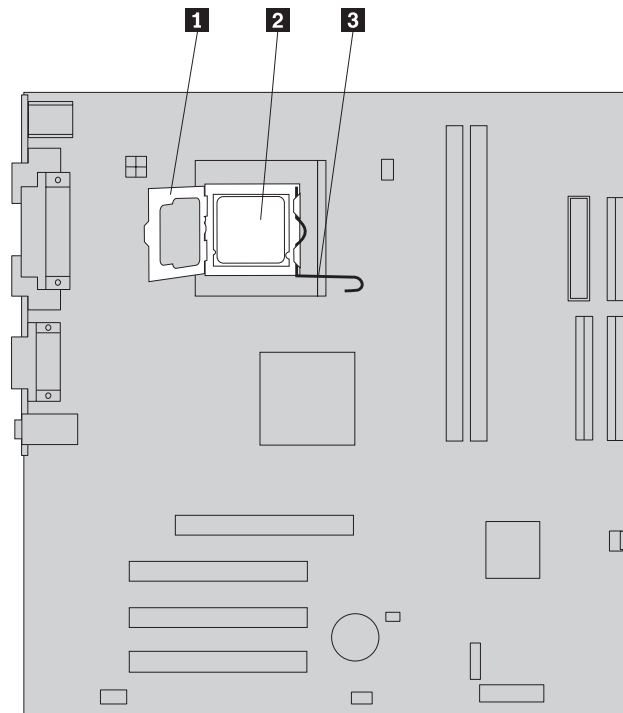
6. Carefully take note of the location of all cable connections on the system board and disconnect all cables. See the system board illustration for your machine type at “System board connectors” on page 116.
7. Remove the screws that secure the system board to the chassis.
8. Lift the system board out of the chassis.
9. Remove the memory modules from the failing system board and install them in the same location on the new system board.
10. Disconnect the heat sink and fan assembly cable from the system board. See the system board illustration for your machine type at “System board connectors” on page 116.

11. Remove the four screws **1** securing the heat sink and fan assembly to the system board.



12. Lift the heat sink and fan assembly off the failing system board. Place the heat sink on its side so that the thermal grease does not come in contact with anything.

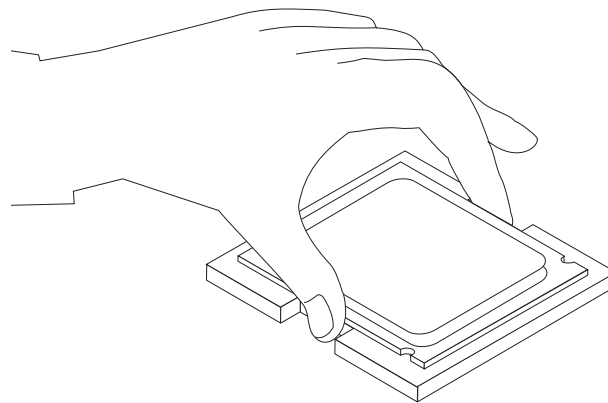
13. To remove the microprocessor **2** from the system board, lift the small handle **3** and open the retainer **1**.



**Important**

Touch only the sides of the microprocessor. Do not touch the gold contacts on the bottom.

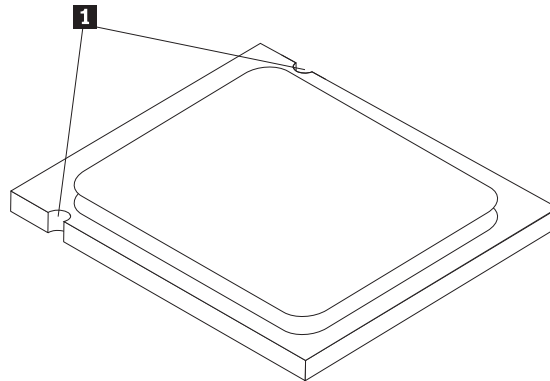
14. Lift the microprocessor straight up and out of the socket.





**Notes:**

- a. Note the orientation of the notches **1** on the microprocessor. This is important when reinstalling the microprocessor on the new system board.



- b. Do not drop anything onto the microprocessor socket while it is exposed. The socket pins must be kept as clean as possible.
15. On the new system board, release the lever securing the microprocessor retainer and then pivot the retainer until it is fully open.

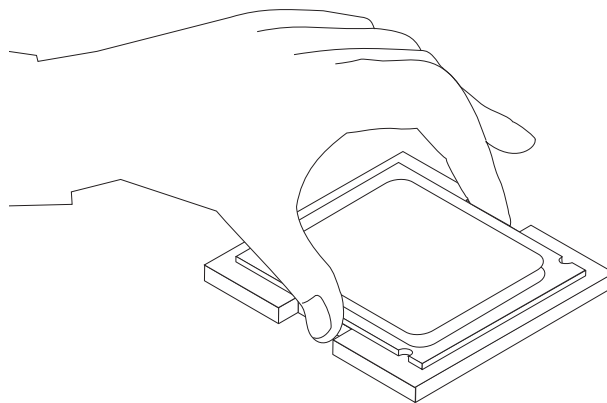
**Note:** There will be a black plastic cover on the microprocessor retainer to protect the socket on the new system board. Remove the black plastic cover and place it on the microprocessor socket of the failing system board.

16. Holding the microprocessor with your fingers, position the microprocessor so that the notches on the microprocessor are aligned with the tabs in the microprocessor socket.

**Important**

To avoid damaging the microprocessor contacts, do not tilt the microprocessor when installing it into the socket.

17. Lower the microprocessor straight down into the system board socket of the new system board.



18. To secure the microprocessor in the socket, close the microprocessor retainer and lock it into position with the small handle.
19. Install the new retention module (if required) on the new system board.
20. Install the heat sink and fan assembly on the system board.

21. Connect the heat sink and fan assembly cable to the new system board. See the system board illustration for your machine type at “System board connectors” on page 116.
22. Install the new system board into the chassis and align the screw holes with those in the chassis. Insert and tighten the screws that secure the system board.
23. Pivot the hard disk drive back into position.
24. Connect the power and signal cables to the hard disk drive.
25. Connect all cables to the system board. See the system board illustration for your machine type at “System board connectors” on page 116.
26. Go to “Completing the FRU replacement” on page 148.

---

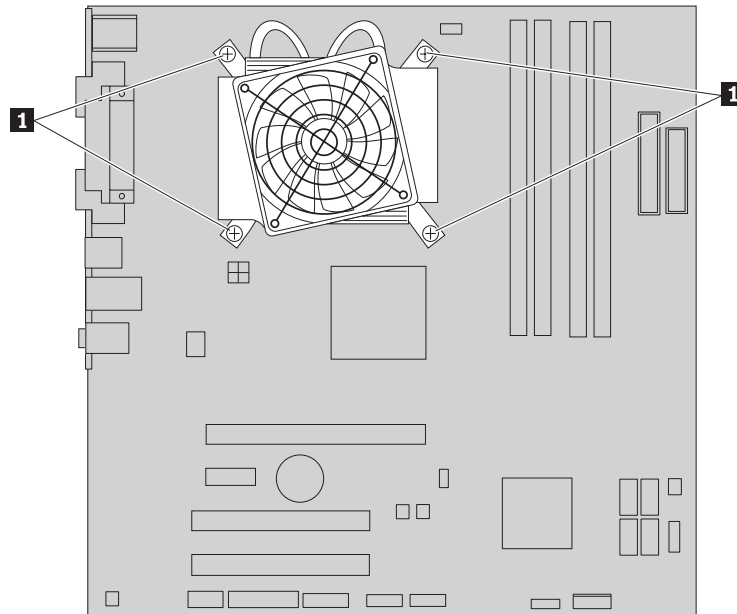
## Replacing the microprocessor

This procedure describes how to remove and replace the microprocessor. The procedure varies depending upon the machine type.

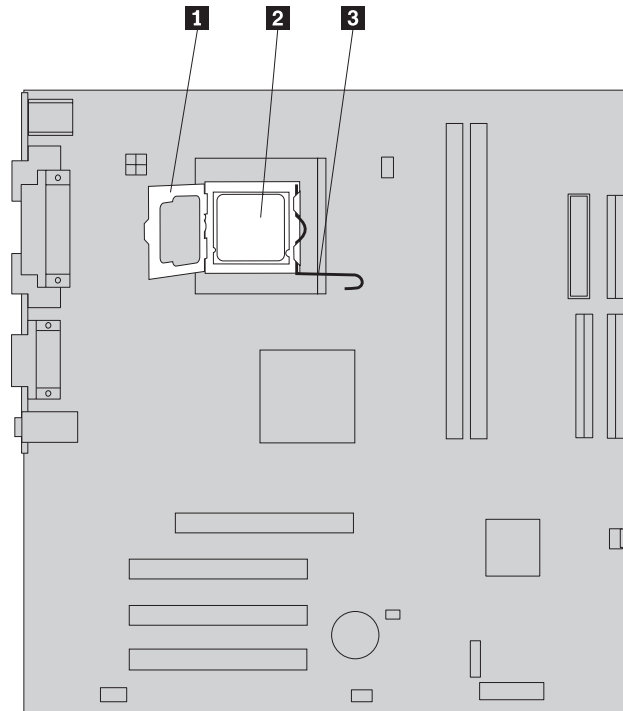
### Important

The heat sink and microprocessor might be very hot. Make sure these components are cool enough to safely handle before continuing this procedure.

1. Remove the side cover. See “Removing the cover” on page 117.
2. Place the computer on its right side to help make the microprocessor more accessible.
3. Disconnect the heat sink and fan assembly cable from the system board. See the system board illustration for your machine type at “System board connectors” on page 116.
4. Remove the four screws securing the heat sink and fan assembly to the system board.



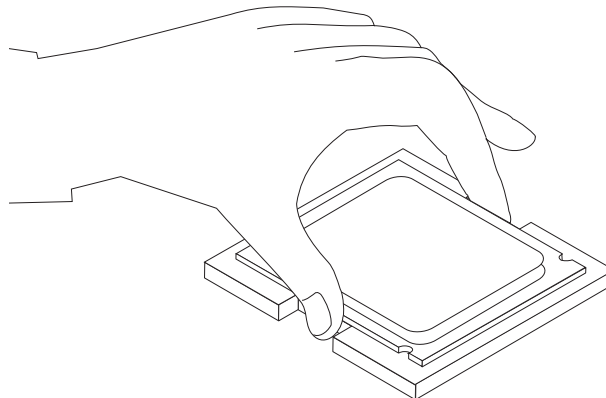
5. Lift the heat sink and fan assembly off the failing system board. Place the heat sink on its side so that the thermal grease does not come in contact with anything.
6. To remove the microprocessor **2** from the system board, lift the small handle **3** and open the retainer **1**.



**Important**

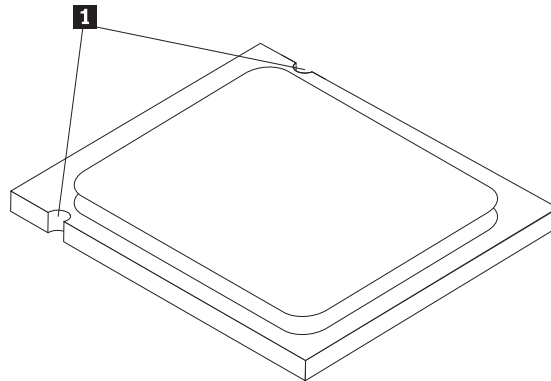
Touch only the sides of the microprocessor. Do not touch the gold contacts on the bottom.

7. Lift the microprocessor straight up and out of the socket.

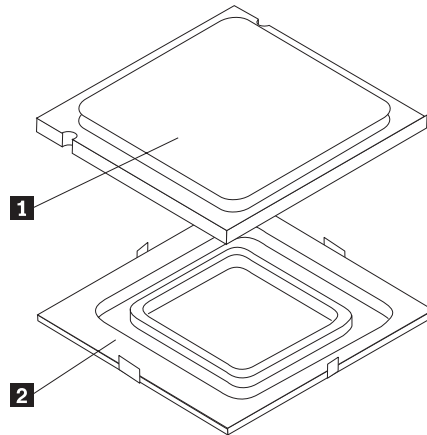


**Notes:**

- a. Note the orientation of the notches **1** on the microprocessor. This is important when reinstalling the microprocessor on the new system board.



- b. Do not drop anything onto the microprocessor socket while it is exposed. The socket pins must be kept as clean as possible.
8. Make sure that the microprocessor retainer is fully open.
9. Holding the microprocessor with your fingers, remove the protective cover **2** that protects the gold contacts on the new microprocessor **1**.

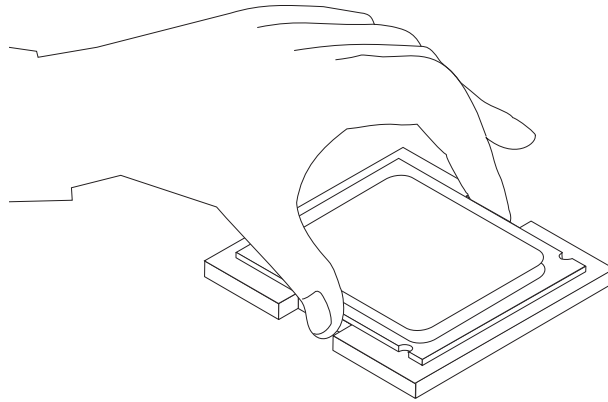


10. Holding the microprocessor with your fingers, position the microprocessor so that the notches on the microprocessor are aligned with the tabs in the microprocessor socket.

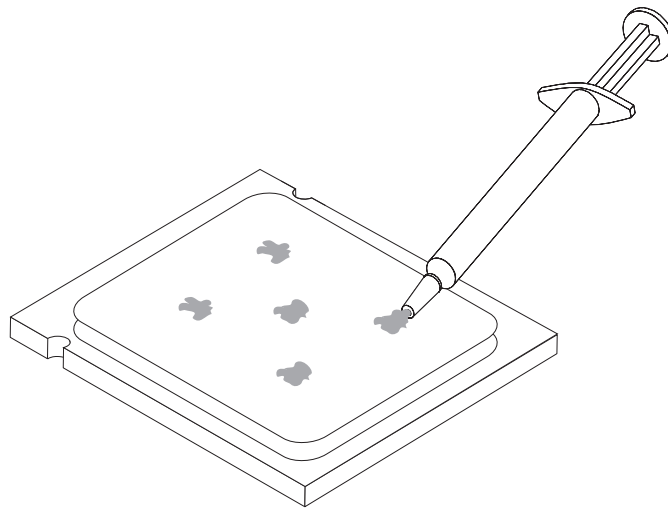
**Important**

To avoid damaging the microprocessor contacts, do not tilt the microprocessor when installing it into the socket.

11. Lower the microprocessor straight down into the system board socket of the system board.



12. To secure the microprocessor in the socket, close the microprocessor retainer and lock it into position with the small handle.
13. Use the thermal grease syringe to place five drops of grease on the top of the microprocessor. Each drop of grease should be 0.03ml (3 tick marks on the grease syringe).



14. Install the heat sink and fan assembly on the system board.
15. Connect the heat sink and fan assembly cable to the system board. See the system board illustration for your machine type at “System board connectors” on page 116.
16. Go to “Completing the FRU replacement” on page 148.

---

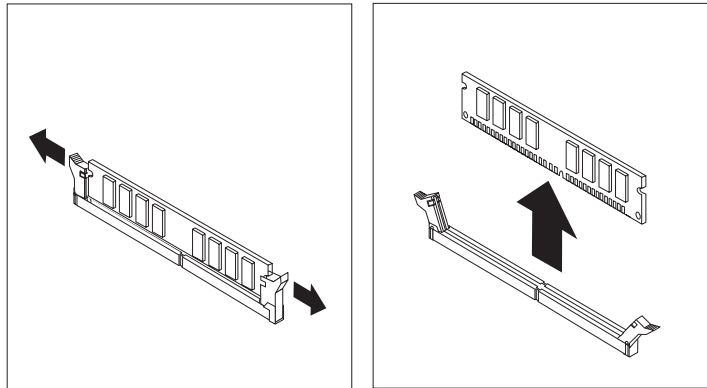
## Replacing a memory module

This procedure describes how to remove and replace a memory module.

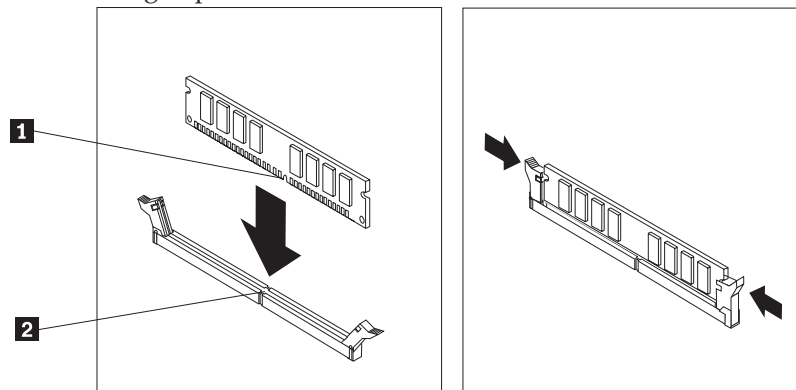
1. Remove the computer cover. See “Removing the cover” on page 117.

**Note:** For this procedure, it helps to lay the computer on its side.

2. Locate the memory module connectors. See “System board connectors” on page 116.
3. Remove the memory module being replaced by opening the retaining clips as shown.



4. Position the new memory module over the memory connector. Make sure the notch **1** on the memory aligns correctly with the connector key **2** on the system board. Push the memory module straight down into the connector until the retaining clips close.



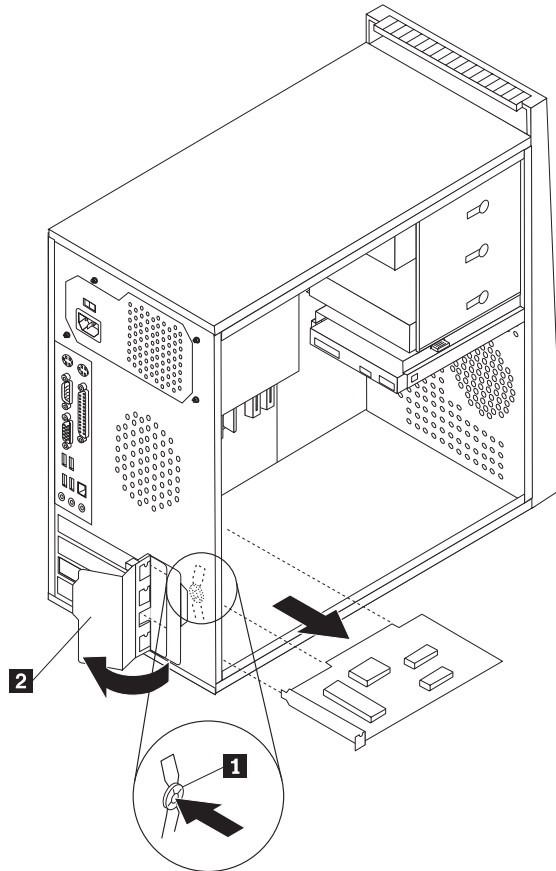
5. Go to “Completing the FRU replacement” on page 148.

---

## Replacing a PCI adapter

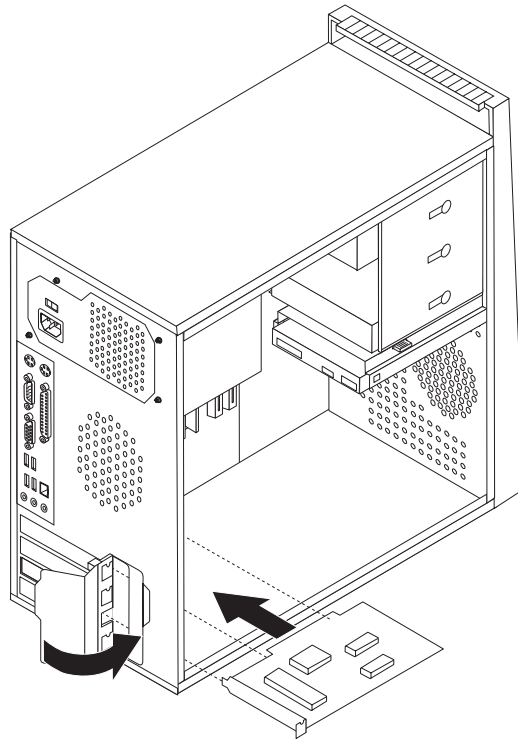
This procedure describes how to remove and replace a PCI adapter.

1. Remove the computer cover. See “Removing the cover” on page 117.
2. At the rear of the computer, press the release button **1** to open the adapter latch **2** and remove the adapter by pulling it straight out of the adapter connector.





3. Install the new adapter into the same adapter connector.



4. Ensure the adapter is fully seated into the adapter connector.
5. At the rear of the computer, pivot the adapter latch to the closed position to secure the adapter.
6. Go to “Completing the FRU replacement” on page 148.

## Replacing the primary hard disk drive

### Important

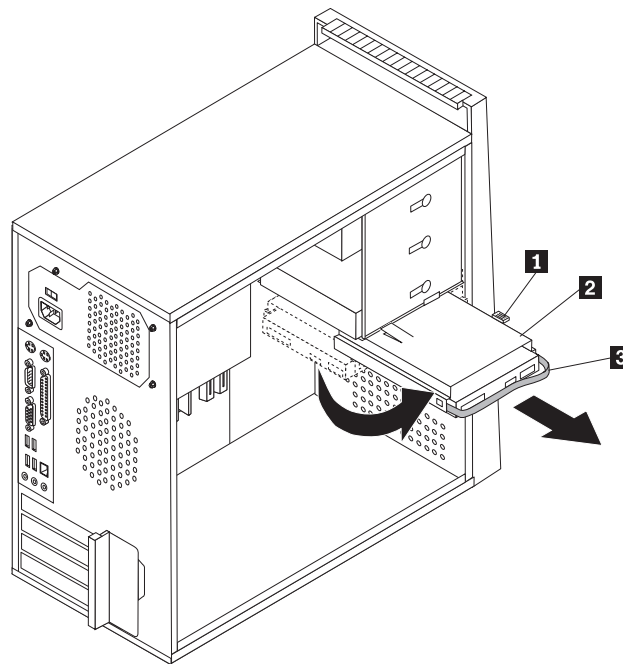
When a new hard disk drive is installed, a set of *Product Recovery* discs might be required. The set of *Product Recovery* discs enable the contents of the hard disk to be restored to the same state as when the computer was originally shipped from the factory. For more information on recovering factory-installed software, refer to "Recovering Software" in the *User Guide*.

This procedure describes how to remove and replace the hard disk drive.

1. Remove the computer cover. See "Removing the cover" on page 117.

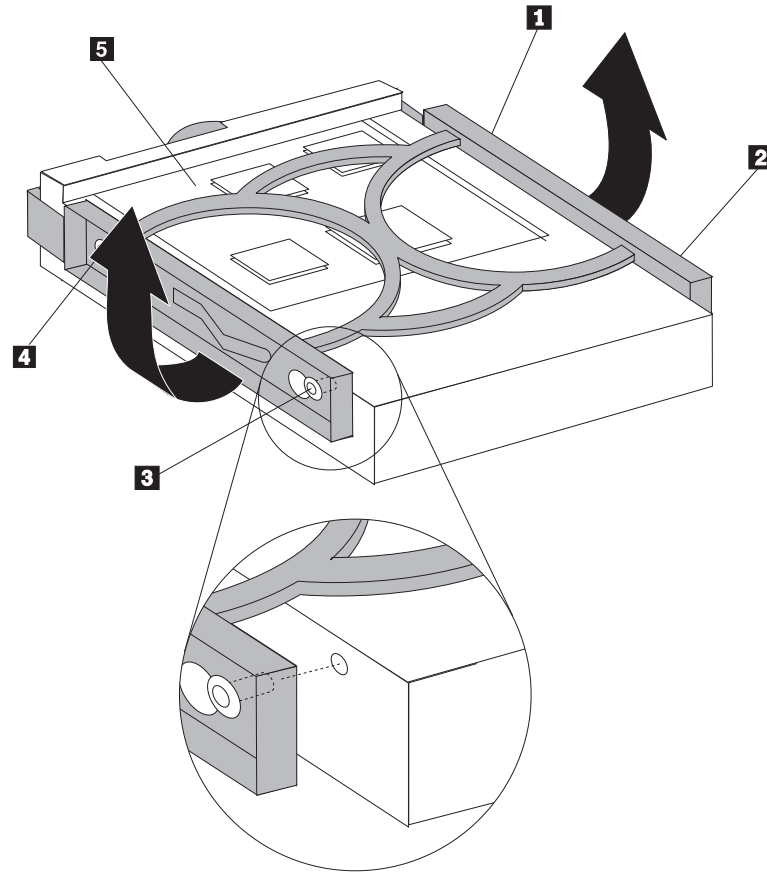
**Note:** For this procedure, it helps to lay the computer on its side.

2. Disconnect the signal and power cables from the hard disk drive.
3. Press the release tab **1** down, slide the hard drive cage **2** back, and pivot the hard disk drive outward as shown.



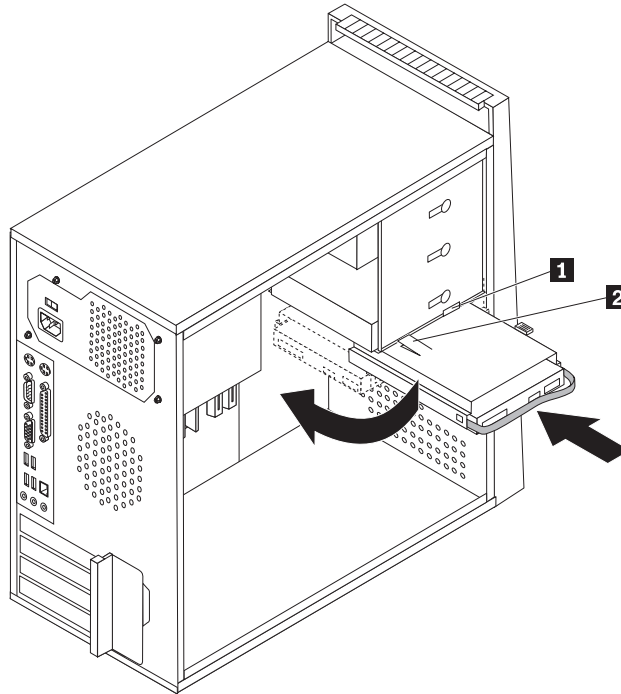
4. Remove the hard disk drive cage from the chassis by simply sliding it outward.
5. Pull on the blue handle **3** to remove hard disk drive from the drive cage.
6. Remove the failing hard disk drive from the blue plastic bracket from by flexing the sides of the bracket enough to free it from the hard disk drive.

7. To install the new drive into the blue bracket, flex the bracket, and align the pins **1** through **4** on the bracket with the holes in the hard disk drive. Do not touch the circuit board **5** on the bottom of the hard disk drive.



8. Slide the new hard disk drive into the drive cage until it snaps into position.

9. Align the drive cage pivot pin with the slot **1** in the upper drive cage and slide the hard disk drive into the chassis.



10. Press down on the metal latch **2** and pivot in the drive cage into place. Slide it forward until it snaps into position.

**Note:** There are two arrows, one on the upper drive cage and one on the hard disk drive cage, that are aligned when the hard disk drive is in the proper position.

11. Connect the power and signal cables to the hard disk drive.
12. Go to “Completing the FRU replacement” on page 148.

## Replacing the secondary hard disk drive

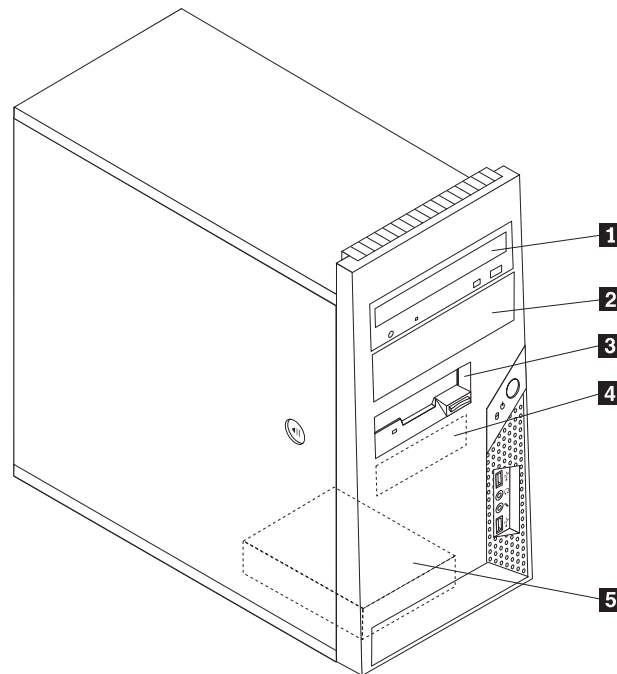
This procedure provides instructions on how to replace the secondary hard disk drive.

### Important

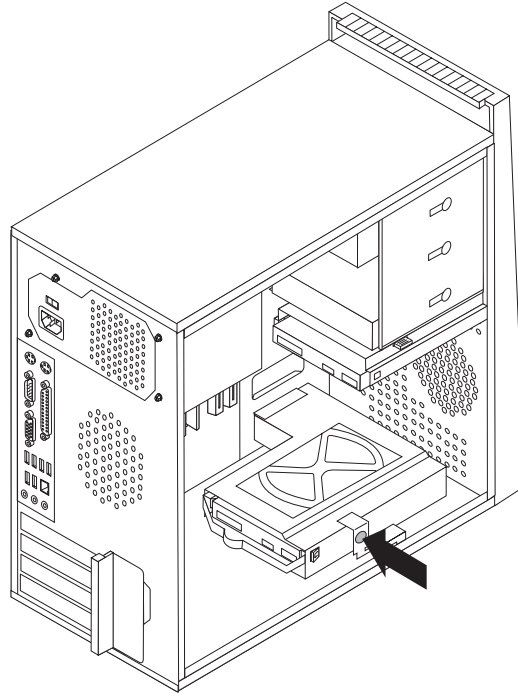
When a new hard disk drive is installed, a set of *Product Recovery* discs might be required. The set of *Product Recovery* discs enable the contents of the hard disk to be restored to the same state as when the computer was originally shipped from the factory. For more information on recovering factory-installed software, refer to "Recovering Software" in the *User Guide*.

To replace the secondary hard disk drive:

1. Remove the computer cover. See "Removing the cover" on page 117.
2. Locate the secondary hard disk drive **5**.

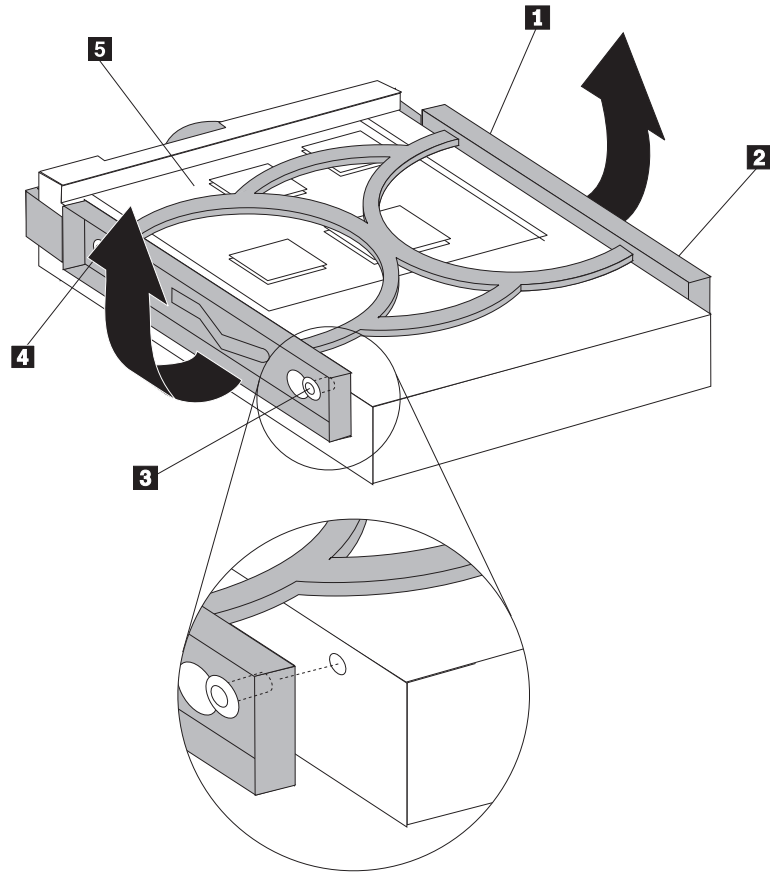


3. Disconnect the signal and power cables from the hard disk drive.
4. Press the blue release button to release the hard drive cage from the chassis.

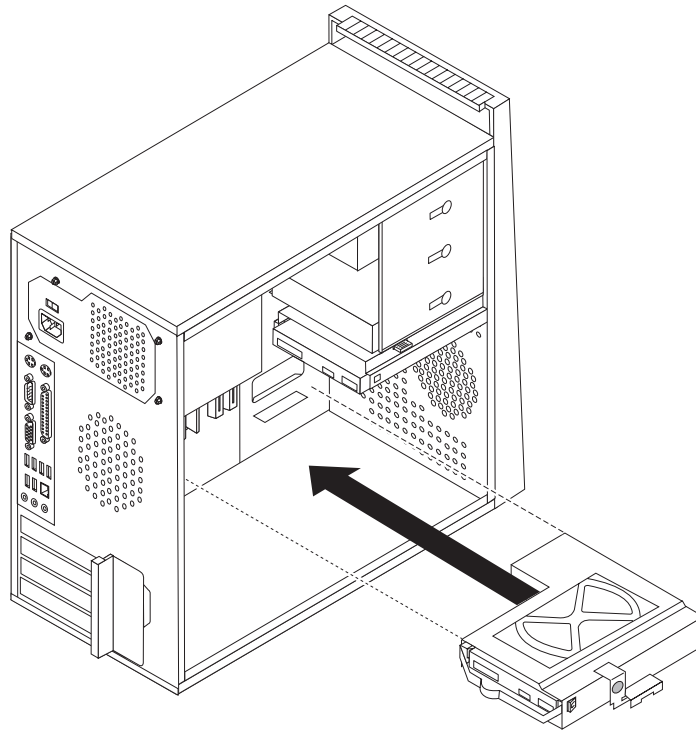


5. Remove the hard drive cage from the chassis by simply sliding it outward.
6. Pull on the blue handle to release and remove the hard disk drive from the hard drive cage.
7. Remove the hard disk drive from the blue plastic bracket by flexing the sides of the bracket enough to slide it free of the hard disk drive.

8. To install the new hard disk drive into the blue bracket, flex the bracket and align the pins **1** through **4** on the bracket with the holes in the hard disk drive. Do not touch the circuit board **5** on the bottom of the hard disk drive.



9. Slide the new hard disk drive into the hard drive cage until it snaps into position.
10. Install the hard drive cage into the chassis until it snaps into position underneath the metal tab. Make sure that the hard drive cage is secure in the chassis.



11. Connect the signal and power cables to the rear of the new hard disk drive.
12. Go to “Completing the FRU replacement” on page 148.

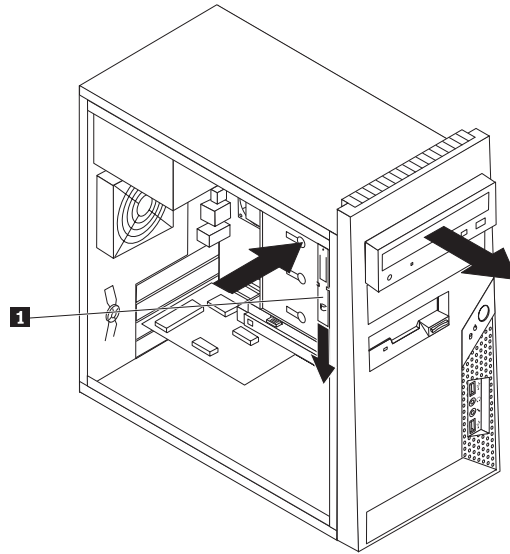


---

## Replacing an optical drive

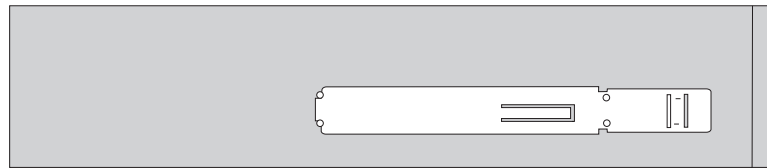
This procedure describes how to remove and replace an optical drive.

1. Remove the computer cover. See “Removing the cover” on page 117.
2. Disconnect the signal and power cables from the rear of the optical drive.
3. Press the release button and remove the optical drive out the front of the computer.



**Note:** Notice that there is a spare retainer bracket **1** attached to the upper drive cage.

4. Remove the retainer bracket from the drive being replaced and install it on the new drive.



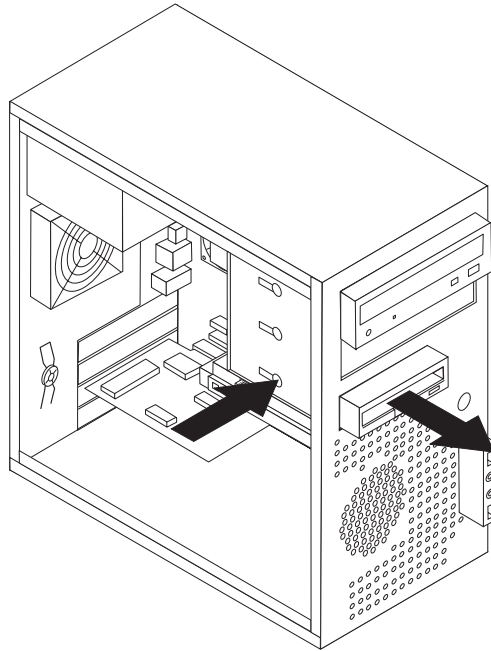
5. Slide the new optical drive into the bay from the front until it snaps into position.
6. Connect the signal and power cables to the drive.
7. Go to “Completing the FRU replacement” on page 148.

---

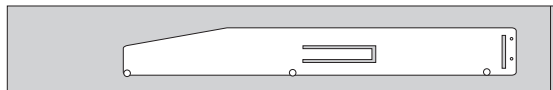
## Replacing the diskette drive

This procedure describes how to remove and replace the diskette drive.

1. Remove the computer cover. See “Removing the cover” on page 117.
2. Remove the front bezel. See “Removing and replacing the front bezel” on page 118.
3. Disconnect the signal and power cables from the rear of the diskette drive.
4. Press the release button and slide the diskette drive out the front of the computer.



5. Remove the retainer bracket from the failing diskette drive and install it on the new diskette drive.



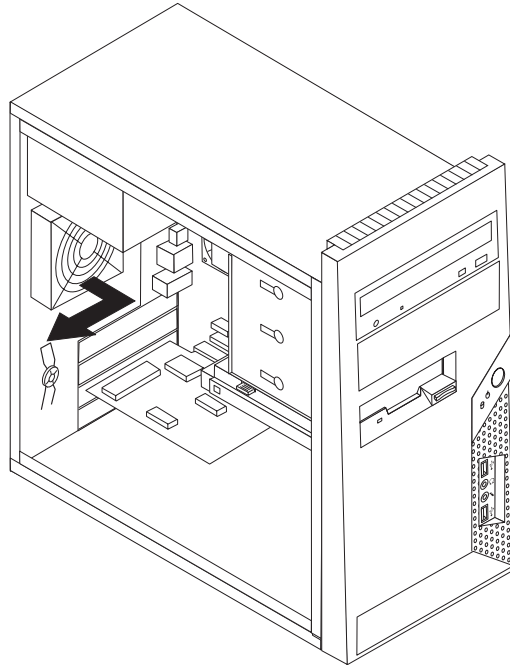
6. Slide the new diskette drive into the drive bay until it snaps into position.
7. Connect the signal and power cables to the drive.
8. Go to “Completing the FRU replacement” on page 148.

---

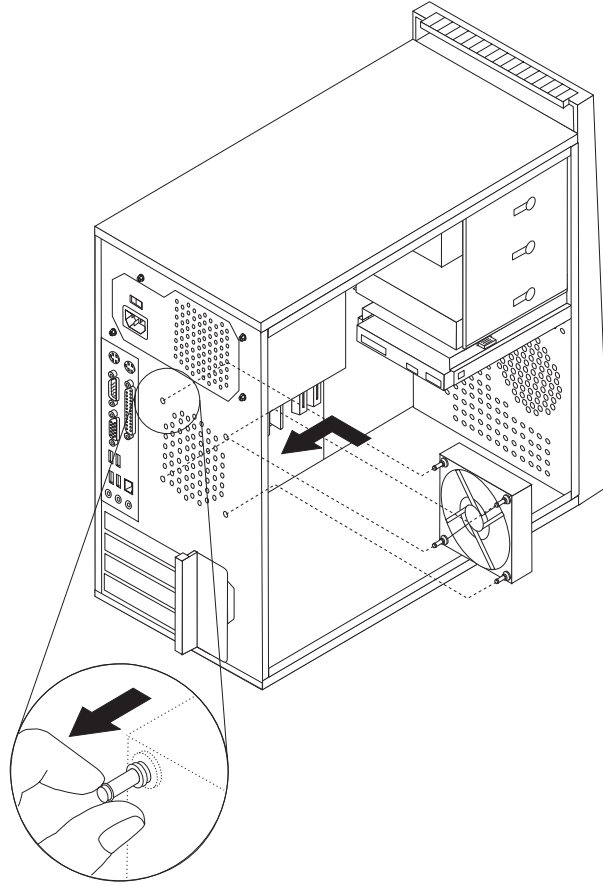
## Replacing the rear fan assembly

This procedure describes how to remove and replace the system fan.

1. Remove the computer cover. See “Removing the cover” on page 117.
2. Note the routing of the rear fan cable to the system board. Disconnect the rear fan cable from the system fan connector on the system board. See “System board connectors” on page 116.
3. The fan assembly is mounted with four rubber mounts that protrude through the rear of the chassis. Remove the fan assembly by pulling the rubber mounts back through the chassis.



4. Install the new rear fan assembly by aligning the rubber mounts of the system fan assembly with the holes on the chassis and push the rubber mounts through the holes.



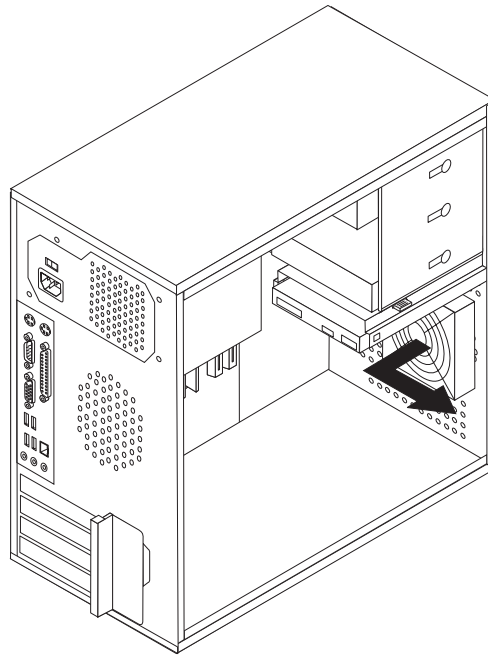
5. Pull on the tips of the rubber mounts until the fan assembly is in place.
6. Route the fan cable to the system board and connect the cable to the system board. See “System board connectors” on page 116.
7. Go to “Completing the FRU replacement” on page 148.

---

## Replacing the front fan assembly

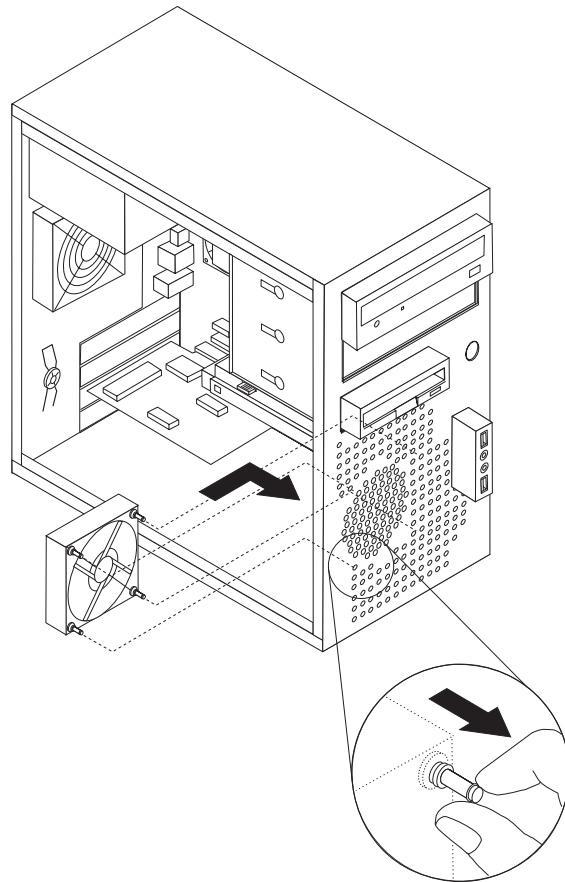
This procedure describes how to remove and replace the front fan assembly.

1. Remove the computer cover. See “Removing the cover” on page 117.
2. Remove the front bezel. See “Removing and replacing the front bezel” on page 118.
3. Note the routing of the front fan cable to the system board. Disconnect the front fan assembly cable from the system board. See “System board connectors” on page 116.
4. The fan assembly is mounted with four rubber mounts that protrude through the front of the chassis. Remove the fan assembly by pulling the rubber mounts back through the chassis.



5. Install the new front fan assembly by aligning the rubber mounts of the front fan assembly with the holes on the chassis and push the rubber mounts through the holes.

6. Pull on the tips of the rubber mounts until the fan assembly is in place.



7. Route the fan cable to the system board and connect the cable to the system board. See “System board connectors” on page 116.
8. Replace the front bezel.
9. Go to “Completing the FRU replacement” on page 112.

---

## Replacing the front audio/USB assembly

This procedure describes how to remove and replace the front audio/USB assembly.

1. Remove the computer cover. See “Removing the cover” on page 117.
2. Remove the front bezel. See “Removing and replacing the front bezel” on page 118
3. Disconnect the front audio/USB assembly cable from the system board. See the system board illustration for your machine type at “System board connectors” on page 116.
4. Note the front audio/USB assembly cable routing and remove the screw that secures the assembly to the chassis.
5. Remove the front audio/USB assembly.
6. Route the cable for the new front audio/USB assembly through the hole in the chassis and to the system board.
7. Install the front audio/USB assembly into the chassis and secure it with the screw.
8. Connect the front audio/USB assembly cable to the system board.
9. Reinstall the front bezel.
10. Go to “Completing the FRU replacement” on page 148.

---

## Replacing the power switch/LED assembly

This procedure describes how to remove and replace the power switch/LED assembly.

1. Remove the computer cover. See “Removing the cover” on page 117.
2. Remove the front bezel. See “Removing and replacing the front bezel” on page 118
3. Disconnect the power switch/LED assembly cable from the system board. See the system board illustration for your machine type at “System board connectors” on page 116.
4. Note the power switch/LED assembly cable routing and the position of the two LEDs.
5. Remove the switch and the LEDs from the bezel.
6. Route the cable for the new power switch/LED assembly through the hole in the chassis and to the system board.
7. Install the new power switch/LED assembly into the bezel. Make sure that the LEDs are in the correct position.
8. Connect the power switch/LED cable to the system board.
9. Reinstall the front bezel.
10. Go to “Completing the FRU replacement” on page 148.



---

## Replacing the CMOS battery

This procedure describes how to remove and replace the CMOS battery.

If the CMOS battery fails, the date, time, and configuration information (including passwords) are lost. An error message is displayed when you turn on the computer.

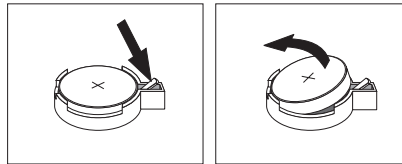
### Important

Refer to “Safety notices (multi-lingual translations)” on page 7 for information about replacing and disposing of the battery.

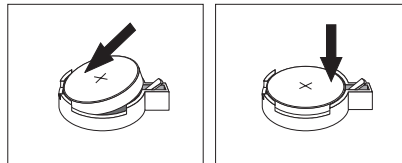
### CAUTION:

**When replacing the lithium battery, use only Part Number 33F8354 or an equivalent type battery recommended by the manufacturer.**

1. Remove the computer cover. See “Removing the cover” on page 117.
2. Locate the battery. See the system board illustration for your machine type at “System board connectors” on page 116.
3. You might have to remove any PCI adapters that impede access to the battery.
4. Remove the old battery.



5. Install the new battery.



6. Replace any PCI adapters that were removed.

**Note:** When the computer is turned on for the first time after battery replacement, an error message might be displayed. This is normal after replacing the battery.

7. Go to “Completing the FRU replacement” on page 148.

---

## Completing the FRU replacement

After replacing FRUs, you need to install any removed parts, replace the cover, and reconnect any cables, including telephone lines and power cords. Also, depending on the FRU that is replaced, you might need to confirm the updated information in the Setup Utility program.

**Note:** When the power cord is first plugged in, the computer might appear to turn on for a few seconds and then turn off. This is a normal sequence to enable the computer to initialize.

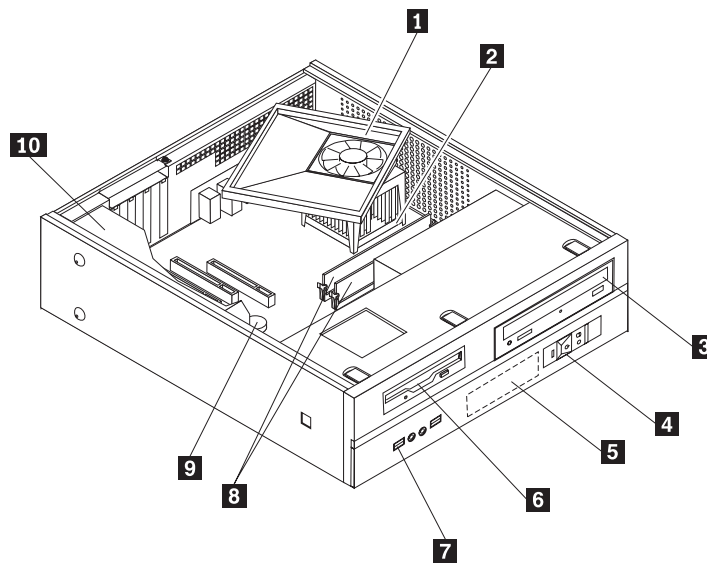
1. Ensure that all components have been reassembled correctly and that no tools or loose screws are left inside your computer.
2. Replace the cover.
3. Reconnect the external cables and power cords to the computer. See “Rear connectors” on page 114.
4. If you have replaced the system board, you must update (flash) the BIOS. See “Updating (flashing) BIOS from a CD-ROM or diskette” on page 442.
5. Some FRU replacements require the configuration to be updated. See Chapter 6, “Using the Setup Utility,” on page 51.

## Chapter 10. FRU lists

**Attention:** Read "Important information about replacing RoHS compliant FRUs" on page 2 before replacing any FRUs.

**Note:** In the following tables, a CRU (Customer Replaceable Unit) is identified as either "1", "2", or "N" in the CRU column. "N" means that the part is not a CRU, "1" means that the part is a Self-service CRU, and "2" means that the part is an Optional-service CRU.

### Machine Type 6008



Item #	6008 FRUs	FRU#	CRU
1	Heat Sink/RM Kit Intel (all models)	41R6022	2
2	Microprocessor, Core 2 Duo E2160 Processor 1.8GHz 800MHz FSB 1M L2 (models A2A A2T)	43C1968	N
2	Microprocessor, Core 2 Duo E4400 Processor 2.0GHz 800MHz FSB 2M L2 (models A1K)	43C2056	N
2	Microprocessor, Core 2 Duo E2220 Processor 2.4GHz 800MHz FSB 1M L2 65W (models)	45C1774	N
2	Microprocessor, Core 2 Duo E4700 Processor 2.6GHz 800MHz 2M 65W (models)	45R5786	N
2	Microprocessor, Core 2 Duo E6540 Processor 2.33GHz 1333MHz FSB 4M L2 (models CTO)	43C6307	N
2	Microprocessor, Q6600 KENTSFIELD G-0 8MB 4c LGA 2.4GHZ 1066FSB (models CTO)	43C1695	N
2	Microprocessor, Q6700 KENTSFIELD G-0 8MB 4c LGA 2.66GHZ 1066FSB (models CTO)	43C6309	N
2	Microprocessor, Core 2 Duo E4600 Processor 2.4GHz 800MHz FSB 2M L2 (models)	45C5282	N
2	Microprocessor, Core 2 Duo E2200 Processor 2.2GHz 800MHz FSB 1M L2 (models)	45C5349	N

Item #	6008 FRUs	FRU#	CRU
2	Microprocessor, Core 2 Duo E8500 Processor 3.16GHz 1333MHz FSB 6M L2 (models CTO)	45C7735	N
2	Microprocessor, Core 2 Duo E8400 Processor 3.0GHz 1333MHz FSB 6M L2 (models)	45C7736	N
2	Microprocessor, Core 2 Duo E8300 Processor 2.83GHz 1333MHz FSB 6M L2 (models)	45C7737	N
2	Microprocessor, Core 2 Duo E8200 Processor 2.66GHz 1333MHz FSB 6M L2(models)	45C7738	N
2	Microprocessor, Core2 Duo E8190 Processor 1333/2600MHz 6M L2 65W Non vPro (models)	45R2568	N
2	Microprocessor, Core 2 Duo E7200 Processor 2.53GHz 1066MHz 3M L2 65W (models)	45R8337	N
2	Microprocessor, Dual Core E1400 Processor 2.0GHz 800MHz 512K L2 65W (models)	45R8339	N
2	Microprocessor, Dual Core E1200 Processor 1.6GHz 800MHz 512K (models)	45R8341	N
2	Microprocessor, Wolfdale Core 2 Duo E7300 Processor 2.66GHz 1066MHz FSB 3M L2 65W M0 Stepping (models)	46R1622	N
2	Microprocessor, Dual Core E1600 Processor 2.4GHz 800MHz 512K L2 65W M0 Stepping Level (models)	46R1655	N
2	Microprocessor, Core 2 Duo E2180 Processor 2.0GHz 800MHz FSB 1M L2 (models)	45C1773	N
3	DVD-ROM Drive - 16x/48x - SATA XP and Vista (models A2A A2T)	41N3325	2
3	DVD-ROM/CD-RW Combo Drive - 48x/32x/48x/16x - SATA vista and XP (models A1K)	42Y9353	2
4	Front Power/LED PC, bracket, and cable (all models)	41N8213	2
5	Hard disk drive, 80GB (7200RPM), Serial ATA (models A2A A2T)	40Y9034	2
5	Hard disk drive, 160GB (7200RPM), Serial ATA (models A1K)	40Y9035	2
6	Diskette drive, 3,5", 1.44MB, 2-mode, (w/bezel) (models)	40Y9105	2
6	Diskette drive, 3,5", 1.44MB, 2-mode, (w/bezel) (models)	40Y9107	2
7	Front USB/Audio with bracket (all models)	41N8212	2
8	Memory module, 512 MB PC2-5300 (667MHz) DDR2 SDRAM (models A2A A2T)	41X4255	2
8	Memory module, 1 GB PC2-5300 (667MHz) DDR2 SDRAM (models A1K)	41X4256	2
9	System board, Saturn non AMT(GA) support 45nm processor (models A2A A2T A1K)	45R5312	N
9	System board, Saturn AMT(GA) support 45nm processor (models)	45R5313	N
10	280 Watt DT Power Supply -Standard, Robust, JP (models A2A A2T A1K)	41A9705	N

The FRUs listed in the following tables are not illustrated.

6008 FRUs	FRU#	CRU
Second Serial Port Cable, 250mm (all models)	42Y8008	2
Cable, diskette drive (all models)	41A7147	2
Hard disk drive fan and bracket asm (all models)	41R6325	2
Fan duct assembly (all models)	41R4808	2
Shield, EMC, blank 5.25 in. drive bay (all models)	41N8271	2
Shield, EMC, blank diskette drive bay (all models)	41N8273	2

6008 FRUs	FRU#	CRU
Foot stand (all models)	41R4813	1
Rear USB 2Ports II LP (R), low profile I/O, 200mm, Rohs (all models)	42Y8006	2
System board shield (all models)	41R6108	N
Cover (all models)	41N8204	2
Mechanical shell kit (all models)	41R6223	N
Miscellaneous hardware kit (all models)	41N8209	2
Hard disk drive bracket assembly (plastic and grommets) (all models)	41N8210	2
Speaker cable assembly, 600 mm cable length (all models)	41N8217	2
Intrusion switch assembly (all models)	41R6208	2
Bezel kit, without IBM logo (all models)	41R6238	2
20-in-1 Card Reader (all models)	45R8139	2
Temp Sense Cable (165 mm) Fru Temp Sense Cable (165 mm) (all models)	43N9079	2
Intel 65W/95W Heatsink Kit (all models)	41R6429	2

6008 Keyboards (USB Preferred - without hub)	FRU#	CRU Tier
US English (models A2A)	41A5289	1
Arabic (models)	41A5290	1
Arabic/French (models)	41A5291	1
Belgian/French (models)	41A5292	1
Belgian/UK (models)	41A5293	1
Bulgarian (models)	41A5295	1
Czech (models)	41A5297	1
Danish (models)	41A5298	1
Dutch (models)	41A5299	1
French (models)	41A5300	1
German (models)	41A5303	1
Greek (models)	41A5304	1
Greek/US (models)	41A5305	1
Hebrew (models)	41A5306	1
Hungarian (models)	41A5307	1
Iceland (models)	41A5308	1
Japanese (models)	41A5310	1
Korean (models A1K)	41A5311	1
Italian 141 (models)	41A5309	1
Norwegian (models)	41A5313	1
Polish (models)	41A5314	1
Portuguese (models)	41A5315	1
Romanian 096 (models)	41A5317	1
Romanian 446 (models)	41A5316	1
Russian/Cyrillic (models)	41A5318	1
Serbian/Cyrillic (models)	41A5319	1

<b>6008 Keyboards (USB Preferred - without hub)</b>	<b>FRU#</b>	<b>CRU Tier</b>
Slovak (models)	41A5320	1
Spanish (models)	41A5321	1
Swedish/Finn (models)	41A5322	1
Swiss (models)	41A5323	1
Thailand (models A2T)	41A5324	1
Turkish 440 (models)	41A5325	1
Turkish 179 (models)	41A5326	1
UK English (models)	41A5327	1
US Euro (models)	41A5328	1
Slovenian (models)	41A5329	1

<b>6008 Keyboards (Fingerprint Reader USB)</b>	<b>FRU#</b>	<b>CRU Tier</b>
US English (models)	41A5248	1
Arabic (models)	41A5249	1
Arabic/French (models)	41A5250	1
Belgian/French (models)	41A5251	1
Belgian/UK (models)	41A5252	1
Brazil/Portuguese (models)	41A5253	1
Bulgarian (models)	41A5254	1
Chinese (models)	41A5255	1
Czech (models)	41A5256	1
Danish (models)	41A5257	1
Dutch (models)	41A5258	1
French (models)	41A5259	1
French Canadian 445 (models)	41A5260	1
French Canadian 58 (models)	41A5261	1
German (models)	41A5262	1
Greek (models)	41A5263	1
Greek/US (models)	41A5264	1
Hebrew (models)	41A5265	1
Hungarian (models)	41A5266	1
Iceland (models)	41A5267	1
Italian 141 (models)	41A5268	1
Japanese (models)	41A5269	1
Korean (models)	41A5270	1
LA Spanish (models)	41A5271	1
Norwegian (models)	41A5272	1
Polish (models)	41A5273	1
Portuguese (models)	41A5274	1
Romanian 096 (models)	41A5275	1
Romanian 446 (models)	41A5276	1

<b>6008 Keyboards (Fingerprint Reader USB)</b>	<b>FRU#</b>	<b>CRU Tier</b>
Russian/Cyrillic (models)	41A5277	1
Serbian/Cyrillic (models)	41A5278	1
Slovak (models)	41A5279	1
Spanish (models)	41A5280	1
Swedish/Finn (models)	41A5281	1
Swiss (models)	41A5282	1
Thailand (models)	41A5283	1
Turkish 440 (models)	41A5284	1
Turkish 179 (models)	41A5285	1
UK English (models)	41A5286	1
US Euro (models)	41A5287	1
Slovenian (models)	41A5288	1

<b>6008 mice</b>	<b>FRU#</b>	<b>CRU</b>
Optical Wheel Mouse (400DPI, USB) (models)	41U3013	1
Optical Wheel Mouse (400DPI, USB) models)	41U3030	1
PS/2 2 Button Ball Mouse (models)	41R0018	1

<b>6008 Adapters and miscellaneous FRUs</b>	<b>FRU#</b>	<b>CRU</b>
IEEE 1394 Firewire Adapter (LP) (models CTO)	41D2781	2
PCI Modem Card (Soft) (models)	29R9729	2
L1 IEEE 1394 PCI Adapter (models)	41D2781	2
Malaysian Homologation Sticker for all AP Model (models)	TBD	2
Dongle Cable - DMS59 to dual VGA (included in Denver L1) (models)	42Y8181	1
Dongle DMS Dule DMS-59 to dual DVI cable (models)	41X6398	1
Dongle DMS Dule DMS-59 to single VGA and single DVI cable (models)	42Y8183	1
Nvidia GeForce 7300LE 128MB 64bit LP / ATX with DMS59 (models)	42Y8165	2
ATI X1300LE 256M 64bit LP / ATX with DMS59 (models)	42Y8162	2
Speakers (2-piece) Lenovo Logo (models)	41A5331	2
BTL external speaker (models)	41A5334	1
Speaker Power brick - US, Canada, LA low voltage, ASEAN (models A2A)	89P8571	1
Speaker Power brick - Hong Kong, Malaysia, Singapore, UK, Brunei (models)	89P8573	1
Speaker Power brick - LA high voltage (non-APU) (models)	89P8575	1
Speaker Power brick - China, Thailand (models A2T)	89P8581	1
Speaker Power brick - Japan (models)	89P8577	1
Speaker Power brick - Brazil (models)	89P8583	1
Speaker Power brick - Argentina (models)	41A4901	1
Speaker Power brick - ANZ (models)	89P8579	1
Speaker Brick - Korea (models A1K)	41A4903	1
Speaker Brick - Taiwan (models)	41A4905	1
Speaker Power brick - India, South Africa (models)	89P8585	1

<b>6008 Adapters and miscellaneous FRUs</b>	<b>FRU#</b>	<b>CRU</b>
New Casper DVI-D card, low profile, support HDCP (models)	43C0258	2
ATI RV610 256M LP, PCIe x16, DMS59/S-Video (models)	64Y3999	2
ATI RV610 128M ATX, PCIe x16, DMS59/S-Video (models)	64Y3997	2
USB2.0 MEMORY CARDREADER,6X2,ROHS, Slim (models CTO)	45R1883	2

<b>6008 Power Cords</b>	<b>FRU#</b>	<b>CRU Tier</b>
Line Cord - US (models A2A A2T)	41R3184	1
Line Cord - US (models A2A A2T)	41R3185	1
Line Cord - China (models)	41R3256	1
Line Cord - China (models)	41R3257	1
Line Cord - Brazil (models)	41R3270	1
Line Cord - Brazil (models)	41R3271	1
Line Cord - LA High Volt (APU) (models)	41R3176	1
Line Cord - LA High Volt (APU) (models)	41R3177	1
Line Cord - Korea (models A1K)	41R3260	1
Line Cord - Korea (models A1K)	41R3261	1
Line Cord - UK, Ireland, Singapore, Malaysia, Brunei (models A2A)	41R3224	1
Line Cord - UK, Ireland, Singapore, Malaysia, Brunei (models A2A)	41R3225	1
Line Cord - Taiwan (models)	41R3278	1
Line Cord - Taiwan (models)	41R3279	1
Line Cord - Italy (models)	41R3232	1
Line Cord - Italy (models)	41R3233	1
Line Cord - Indonesia, Laos, Cambodia, and Vietnam (models A2A)	41R3208	1
Line Cord - Indonesia, Laos, Cambodia, and Vietnam (models A2A)	41R3209	1
Line Cord - Denmark (models)	41R3212	1
Line Cord - Denmark (models)	41R3213	1
Line Cord - Switzerland (models)	41R3228	1
Line Cord - Switzerland (models)	41R3229	1
Line Cord - Israel (models)	41R3236	1
Line Cord - Israel (models)	41R3237	1
Line Cord - South Africa (models A2A)	41R3220	1
Line Cord - South Africa (models A2A)	41R3221	1
Line Cord - India (models )	41R3341	1
Line Cord - India (models )	41R3175	1
Line Cord - Japan (models)	41R3248	1
Line Cord - Japan (models)	41R3249	1
Line Cord - ANZ (models)	41R3196	1
Line Cord - ANZ (models)	41R3197	1
Line Cord - Hong Kong (models)	41R3224	1
Line Cord - Hong Kong (models)	41R3225	1



6008 Windows XP Home Recovery CDs	FRU#	CRU
English (models CTO)	45R6005	1
French (models CTO)	45R6006	1
German (models CTO)	45R6007	1
Spanish (models CTO)	45R6008	1
Brazil (models CTO)	45R6009	1
Italian (models)	45R6010	1
Japanese (models)	45R6011	1
Norwegian (models CTO)	45R6012	1
Swedish (models CTO)	45R6013	1
Danish (models CTO)	45R6014	1
Dutch (models CTO)	45R6015	1
Czech (models CTO)	45R6016	1
Finnish (models CTO)	45R6017	1
Hebrew (models CTO)	45R6018	1
Polish (models CTO)	45R6019	1
Arabic (models CTO)	45R6020	1
Russian (models CTO)	45R6021	1
Turkish (models CTO)	45R6022	1
Hungarian (models CTO)	45R6023	1
Greek (models CTO)	45R6024	1
Simplified Chinese (models CTO)	45R6025	1
Taiwan (models CTO)	45R6026	1
HongKong (models CTO)	45R6027	1
Korea (models CTO)	45R6028	1
Russian English (models CTO)	45R6029	1
Portuguese (models CTO)	45R6030	1

6008 Windows XP Pro Recovery CDs	FRU#	CRU
English (models A2A)	45R5979	1
French (models)	45R5980	1
German (models)	45R5981	1
Spanish (models)	45R5982	1
Brazil (models)	45R5983	1
Italian (models)	45R5984	1
Japanese (models)	45R5985	1
Norwegian (models)	45R5986	1
Swedish (models)	45R5987	1
Danish (models)	45R5988	1
Dutch (models)	45R5989	1
Czech (models)	45R5990	1
Finnish (models)	45R5991	1

<b>6008 Windows XP Pro Recovery CDs</b>	<b>FRU#</b>	<b>CRU</b>
Hebrew (models)	45R5992	1
Polish (models)	45R5993	1
Arabic (models)	45R5994	1
Russian (models)	45R5995	1
Turkish (models)	45R5996	1
Hungarian (models)	45R5997	1
Greek (models)	45R5998	1
Simplified Chinese (models)	45R5999	1
Taiwan (models)	45R6000	1
HongKong (models)	45R6001	1
Korea (models)	45R6002	1
Russian English (models)	45R6003	1
Portuguese (models)	45R6004	1
MUL 1 - EN, NL, FR, GR, IT (models)	45R5977	1
MUL 2 - EN, DK, FI, NO, SV (models)	45R5978	1

<b>6008 Vista Home Basic 32 Recovery DVDs</b>	<b>FRU#</b>	<b>CRU</b>
English (models)	46R7098	1
Russian English (models CTO)	46R7099	1
French (models CTO)	46R7100	1
German (models CTO)	46R7101	1
Spanish (models CTO)	46R7102	1
Brazilian (models CTO)	46R7103	1
Italian (models CTO)	46R7104	1
Japanese (models)	46R7105	1
Norwegian (models CTO)	46R7106	1
Swedish (models CTO)	46R1086	1
Danish (models CTO)	46R7107	1
Dutch (models CTO)	46R1088	1
Czech (models CTO)	46R1089	1
Finnish (models CTO)	46R1090	1
Polish (models CTO)	46R1091	1
Russian (models CTO)	46R7108	1
Turkish (models CTO)	46R1093	1
Hungarian (models CTO)	46R1094	1
Greek (models CTO)	46R1095	1
Simplified Chinese (models CTO)	46R7109	1
Taiwan (models CTO)	46R7110	1
HongKong (models CTO)	46R7111	1
Korea (models)	46R1099	1
Slovenian (models CTO)	46R1100	1

<b>6008 Vista Home Basic 32 Recovery DVDs</b>	<b>FRU#</b>	<b>CRU</b>
Hebrew (models CTO)	46R1101	1
Portuguese (models CTO)	46R1102	1
Arabic Localized (models CTO)	46R1103	1
Slovakia (models CTO)	46R1104	1

<b>6008 Vista Business 32 Recovery DVDs</b>	<b>FRU#</b>	<b>CRU</b>
English (models)	46R7070	1
Russian English (models)	46R7071	1
French (models)	46R7072	1
German (models)	46R7073	1
Spanish (models)	46R7074	1
Brazilian (models)	46R7075	1
Italian (models)	46R7076	1
Japanese (models)	46R7077	1
Norwegian (models)	46R7078	1
Swedish (models)	46R1028	1
Danish (models )	46R7079	1
Dutch (models)	46R1030	1
Czech (models)	46R1031	1
Finnish (models)	46R1032	1
Polish (models)	46R1033	1
Russian (models)	46R7080	1
Turkish (models)	46R1035	1
Hungarian (models)	46R1036	1
Greek (models)	46R1037	1
Simplified Chinese (models)	46R7081	1
Traditional Chinese (models)	46R7082	1
Traditional Chinese (models)	46R7083	1
Korean (models)	46R1041	1
Slovenian (models)	46R1042	1
Romanian (models )	46R1043	1
Portuguese (models)	46R1044	1
Sebian-Latin (models)	46R1045	1
Slovakian (models)	46R1046	1
Arabic Localized (models)	46R1047	1
Hebrew (models)	46R1048	1

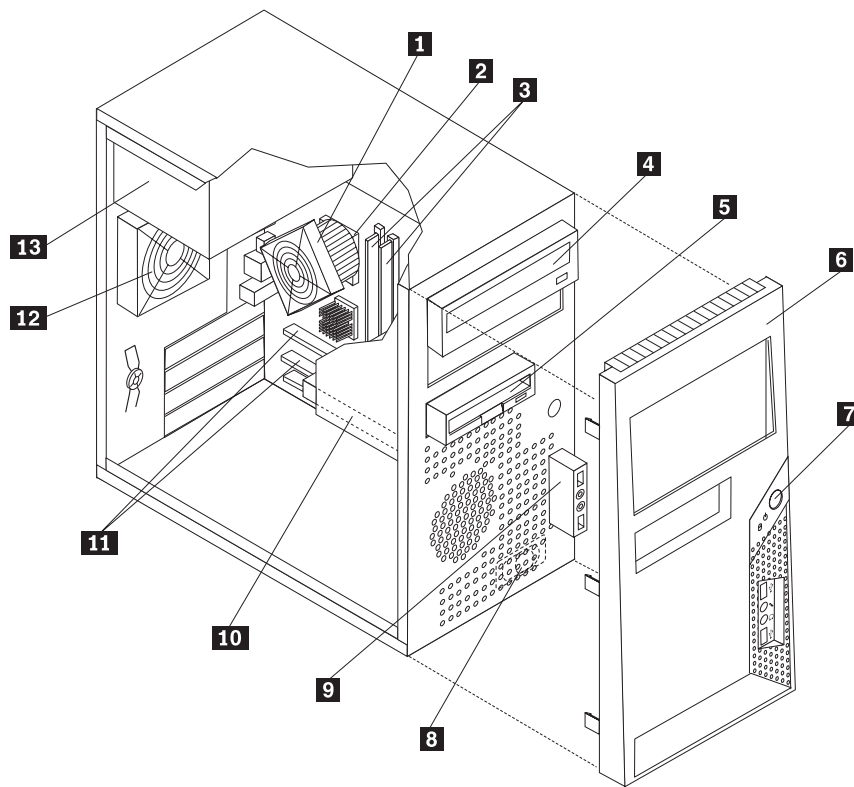
<b>6008 Vista Ultimate 32 Recovery DVDs</b>	<b>FRU#</b>	<b>CRU</b>
English (models)	46R7112	1
Russian English (models)	46R7113	1
French (models)	46R7114	1

6008 Vista Ultimate 32 Recovery DVDs	FRU#	CRU
German (models)	46R7115	1
Spanish (models)	46R7116	1
Brazilian (models)	46R7117	1
Italian (models)	46R7118	1
Japanese (models)	46R7119	1
Norwegian (models)	46R7120	1
Swedish (models)	46R1114	1
Danish (models)	46R7121	1
Dutch (models)	46R1116	1
Czech (models)	46R1117	1
Finnish (models)	46R1118	1
Polish (models)	46R1119	1
Russian (models)	46R7122	1
Turkish (models)	46R1121	1
Hungarian (models)	46R1122	1
Greek (models)	46R1123	1
Simplified Chinese (models)	46R7123	1
Traditional Chinese (models)	46R7124	1
Traditional Chinese (models)	46R7125	1
Korean (models)	46R1127	1
Slovenian (models)	46R1128	1
Hebrew (models)	46R1129	1
Portuguese (models)	46R1130	1
Slovakian (models)	46R1131	1
Arabic Localized (models)	46R1132	1

6008 XP Pro Recovery DVDs	FRU#	CRU
English (models)	45R8811	1
French (models)	45R8812	1
German (models)	45R8813	1
Spanish (models)	45R8814	1
Brazil (models)	45R8815	1
Italian (models)	45R8816	1
Japanese (models)	45R8817	1
Norwegian (models)	45R8818	1
Swedish (models)	45R8819	1
Danish (models)	45R8820	1
Dutch (models)	45R8821	1
Czech (models)	45R8822	1
Finnish (models)	45R8823	1
Hebrew (models)	45R8824	1

6008 XP Pro Recovery DVDs	FRU#	CRU
Polish (models)	45R8825	1
Arabic (models)	45R8826	1
Russian (models)	45R8827	1
Turkish (models)	45R8828	1
Hungarian (models)	45R8829	1
Greek (models)	45R8830	1
Simplified Chinese (models)	45R8831	1
Taiwan (models)	45R8832	1
HongKong (models)	45R8833	1
Korea (models)	45R8834	1
Russian English (models)	45R8835	1
Portuguese (models)	45R8836	1
Slovenian (models)	45R8837	1

## Machine Type 6010



Item #	6010 FRUs	FRU#	CRU Tier
1	Intel 65W/95w heatsink (all models)	43N9309	2
2	Microprocessor, Core 2 Duo E2140 Processor 1.6GHz 800MHz FSB 1M L2 (models A2A A2T)	43C1967	N
2	Microprocessor, Core 2 Duo E2160 Processor 1.8GHz 800MHz FSB 1M L2 (models A4Q A1K)	43C1968	N
2	Microprocessor, Celeron 430 Processor 1.8GHz 800MHz FSB 512K L2 (models A3Q)	43C1964	N
2	Microprocessor, Core 2 Duo E4400 Processor 2.0GHz 800MHz FSB 2M L2 (models)	43C2056	N
2	Microprocessor, Core 2 Duo E6540 Processor 2.33GHz 1333MHz FSB 4M L2 (models CTO)	43C6307	N
2	Microprocessor, Q6600 KENTSFIELD G-0 8MB 4c LGA 2.4GHZ 1066FSB (models CTO)	43C1695	N
2	Microprocessor, Q6700 KENTSFIELD G-0 8MB 4c LGA 2.66GHZ 1066FSB (models CTO)	43C6309	N
2	Microprocessor, Core 2 Duo E4600 Processor 2.4GHz 800MHz FSB 2M L2 (models)	45C5282	N
2	Microprocessor, Core 2 Duo E2200 Processor 2.2GHz 800MHz FSB 1M L2 (models)	45C5349	N
2	Microprocessor, Core 2 Duo E2220 Processor 2.4GHz 800MHz FSB 1M L2 65W (models)	45C1774	N
2	Microprocessor, Core 2 Duo E4700 Processor 2.6GHz 800MHz 2M 65W (models)	45R5786	N
2	Microprocessor, Core 2 Duo E8500 Processor 3.16GHz 1333MHz FSB 6M L2 (models CTO)	45C7735	N

Item #	6010 FRUs	FRU#	CRU Tier
2	Microprocessor, Core 2 Duo E8400 Processor 3.0GHz 1333MHz FSB 6M L2 (models)	45C7736	N
2	Microprocessor, Core 2 Duo E8300 Processor 2.83GHz 1333MHz FSB 6M L2 (models)	45C7737	N
2	Microprocessor, Core 2 Duo E8200 Processor 2.66GHz 1333MHz FSB 6M L2 (models)	45C7738	N
2	Microprocessor, Core2 Duo E8190 Processor 1333/2600MHz 6M L2 65W Non vPro (models)	45R2568	N
2	Microprocessor, Core 2 Duo E7200 Processor 2.53GHz 1066MHz 3M L2 65W (models)	45R8337	N
2	Microprocessor, Dual Core E1400 Processor 2.0GHz 800MHz 512K L2 65W (models)	45R8339	N
2	Microprocessor, Dual Core E1200 Processor 1.6GHz 800MHz 512K (models)	45R8341	N
2	Microprocessor, Wolfdale Core 2 Duo E7300 Processor 2.66GHz 1066MHz FSB 3M L2 65W M0 Stepping (models)	46R1622	N
2	Microprocessor, Dual Core E1600 Processor 2.4GHz 800MHz 512K L2 65W M0 Stepping Level (models)	46R1655	N
2	Microprocessor, Core 2 Duo E2180 Processor 2.0GHz 800MHz FSB 1M L2 (models)	45C1773	N
3	Memory module, 512 MB PC2-5300 (667MHz) DDR2 SDRAM (models A3Q A4Q A2A A2T)	41X4255	2
3	Memory module, 1 GB PC2-5300 (667MHz) DDR2 SDRAM (models A1K A6J )	41X4256	2
4	DVD-ROM Drive - 16x/48x - SATA XP and Vista (models A2A A2T A1K)	41N3325	2
4	DVD-ROM Drive - DVD-RW/CD-RW Rambo 8 - SATA VISTA AND XP (models A6J)	43C1042	2
5	Diskette drive, 3,5", 1.44MB, 3Mode,(w/bezel) (models)	40Y9105	2
5	Diskette drive, 3,5", 1.44MB, 3Mode,(w/bezel) (models)	40Y9107	2
6	Bezel assembly (all models)	41N8052	2
7	Power switch/LED assembly (all models)	41N5284	2
8	Speaker assembly, soldered terminals (all models)	39P5023	2
9	Front audio/USB assembly (all models)	41N8054	2
10	Hard disk drive, 80GB (7200RPM), Serial ATA (models A3Q A4Q A2A A2T A1K)	40Y9034	2
10	Hard disk drive, 320 GB 7200rpm SATA (models A6J)	87H4891	2
11	System board , Tamdhu II - Saturn non AMT(GA) support 45nm processor (Hard from 45R5312) (models A3Q A4Q A2A A2T A1K A6J A9J)	46R1842	N
11	System board , Tamdhu II - Saturn AMT(GA) support 45nm processor (Hard from 43C2297) (models)	46R1843	N
12	Fan, Rear w/ grommets & Grill (all models)	41R6269	2
13	Power supply, 280 Watt ATX Power Supply - Standard, Robust (models A2A A2T A1K A6J )	41A9684	2
13	Power supply, 280 Watt ATX Power Supply (80plus) - Standard, Robust, JP (models A2A A2T A1K)	41A9665	2
13	Power supply, 310 Watt ATX Power Supply - Standard, Robust, JP (models A6J )	41A9726	2

The FRUs listed in the following tables are not illustrated.

6010 FRUs	FRU#	CRU Tier
Shield, 5.25 EMC (all models)	41N8080	2
Shield, diskette drive EMC (all models)	41N8078	2
Cable, Diskette drive (RoHs) (all models)	41A7182	2
Kit, Miscellaneous hardware (all models)	41N8055	2
Retainer, Card Reader (all models)	41R2913	2
Optional HDD Bracket Asm, without 4Pin cable (all models)	41R6106	2
Intrusion Switch asm (all models)	41R6116	2
Bezel, without IBM mark (all models)	41R6243	2
Cover, left side (all models)	41N8050	1
Chassis without IBM mark (all models)	41R6241	N
Hard disk drive tray (all models)	41R6291	N
Fan, front (all models)	41R4791	2
SATA cable,457mm,1 latching for device,RoHS (all models)	43N9013	2
SATA cable,250mm,1 latching for device,RoHS (all models)	43N9012	2
Fru-Cable, Temp Sense Cable (460mm) (all models)	41R2509	2
FRU - Blank 5.25" Bezel (all models)	41N8077	2

6010 Keyboards (USB Preferred - without hub)	FRU#	CRU Tier
US English (models A2A A3Q A4Q)	41A5289	1
Arabic (models)	41A5290	1
Arabic/French (models)	41A5291	1
Belgian/French (models)	41A5292	1
Belgian/UK (models)	41A5293	1
Bulgarian (models)	41A5295	1
Czech (models)	41A5297	1
Danish (models)	41A5298	1
Dutch (models)	41A5299	1
French (models)	41A5300	1
German (models)	41A5303	1
Greek (models)	41A5304	1
Greek/US (models)	41A5305	1
Hebrew (models)	41A5306	1
Hungarian (models)	41A5307	1
Iceland (models)	41A5308	1
Japanese (models A6J )	41A5310	1
Korean (models A1K)	41A5311	1
Italian 141 (models)	41A5309	1
Japanese (models A6J A7J)	41A5310	1
Norwegian (models)	41A5313	1
Polish (models)	41A5314	1
Portuguese (models)	41A5315	1



<b>6010 Keyboards (USB Preferred - without hub)</b>	<b>FRU#</b>	<b>CRU Tier</b>
Romanian 096 (models)	41A5317	1
Romanian 446 (models)	41A5316	1
Russian/Cyrillic (models)	41A5318	1
Serbian/Cyrillic (models)	41A5319	1
Slovak (models)	41A5320	1
Spanish (models)	41A5321	1
Swedish/Finn (models)	41A5322	1
Swiss (models)	41A5323	1
Thailand (models A2T)	41A5324	1
Turkish 440 (models)	41A5325	1
Turkish 179 (models)	41A5326	1
UK English (models)	41A5327	1
US Euro (models)	41A5328	1
Slovenian (models)	41A5329	1

<b>6010 Keyboards (PS2 Preferred Pro)</b>	<b>FRU#</b>	<b>CRU Tier</b>
US English (models)	41A5039	1
Arabic (models)	41A5040	1
Arabic/French (models)	41A5041	1
Belgian/French (models)	41A5042	1
Belgian/UK (models)	41A5043	1
Bulgarian (models)	41A5045	1
Hong Kong/Taiwan (models)	41A5046	1
Czech (models)	41A5047	1
Danish (models)	41A5048	1
Dutch (models)	41A5049	1
French (models)	41A5050	1
French Canadian 445 (models)	41A5051	1
French Canadian 58 (models)	41A5052	1
German (models)	41A5053	1
Greek (models)	41A5054	1
Hebrew (models)	41A5055	1
Hungarian (models)	41A5056	1
Iceland (models)	41A5057	1
Italian (models)	41A5058	1
Korean (models)	41A5060	1
LA Spanish (models)	41A5061	1
Norwegian (models)	41A5062	1
Polish (models)	41A5063	1
Portuguese (models)	41A5064	1
Romanian (models)	41A5065	1

<b>6010 Keyboards (PS2 Preferred Pro)</b>	<b>FRU#</b>	<b>CRU Tier</b>
Russian/Cyrilic (models)	41A5066	1
Serbian/Cyrilic (models)	41A5067	1
Slovak (models)	41A5068	1
Spanish (models)	41A5069	1
Swedish/Finn (models)	41A5070	1
Swiss F/G (models)	41A5071	1
Turkish 440 (models)	41A5073	1
Turkish 179 (models)	41A5074	1
UK English (models)	41A5075	1
US Euro (models)	41A5076	1
Slovenian (models)	41A5077	1
Brazil/Portuguese (models)	41A5044	1

<b>6010 Keyboards (Fingerprint Reader USB)</b>	<b>FRU#</b>	<b>CRU Tier</b>
US English (models)	41A5248	1
Arabic (models)	41A5249	1
Arabic/French (models)	41A5250	1
Belgian/French (models)	41A5251	1
Belgian/UK (models)	41A5252	1
Brazil/Portuguese (models)	41A5253	1
Bulgarian (models)	41A5254	1
Chinese (models)	41A5255	1
Czech (models)	41A5256	1
Danish (models)	41A5257	1
Dutch (models)	41A5258	1
French (models)	41A5259	1
French Canadian 445 (models)	41A5260	1
French Canadian 58 (models)	41A5261	1
German (models)	41A5262	1
Greek (models)	41A5263	1
Greek/US (models)	41A5264	1
Hebrew (models)	41A5265	1
Hungarian (models)	41A5266	1
Iceland (models)	41A5267	1
Italian 141 (models)	41A5268	1
Japanese (models)	41A5269	1
Korean (models)	41A5270	1
LA Spanish (models)	41A5271	1
Norwegian (models)	41A5272	1
Polish (models)	41A5273	1
Portuguese (models)	41A5274	1

<b>6010 Keyboards (Fingerprint Reader USB)</b>	<b>FRU#</b>	<b>CRU Tier</b>
Romanian 096 (models)	41A5275	1
Romanian 446 (models)	41A5276	1
Russian/Cyrillic (models)	41A5277	1
Serbian/Cyrillic (models)	41A5278	1
Slovak (models)	41A5279	1
Spanish (models)	41A5280	1
Swedish/Finn (models)	41A5281	1
Swiss (models)	41A5282	1
Thailand (models)	41A5283	1
Turkish 440 (models)	41A5284	1
Turkish 179 (models)	41A5285	1
UK English (models)	41A5286	1
US Euro (models)	41A5287	1
Slovenian (models)	41A5288	1

<b>6010 mice</b>	<b>FRU#</b>	<b>CRU Tier</b>
Optical Wheel Mouse (400DPI, USB) (models A3Q A4Q A2A A2T A1K A6J )	41U3013	1
Optical Wheel Mouse (400DPI, USB) (models A3Q A4Q A2A A2T A1K A6J )	41U3030	1

<b>6010 Adapters and miscellaneous FRUs</b>	<b>FRU#</b>	<b>CRU</b>
PCI Modem Card (Soft) (models)	29R9729	2
L1 IEEE 1394 PCI Adapter (models)	41D2781	2
Dongle Cable - DMS59 to dual VGA (included in Denver L1) (models)	42Y8181	1
Dongle DMS Dule DMS-59 to dual DVI cable (models)	41X6398	1
Dongle DMS Dule DMS-59 to single VGA and single DVI cable (models)	42Y8183	1
Nvidia GeForce 7300LE 128MB 64bit LP / ATX with DMS59 (models)	42Y8165	2
ATI X1300LE 256M 64bit LP / ATX with DMS59 (models)	42Y8162	2
Speakers (2-piece) Lenovo Logo (models)	41A5331	2
BTL external speaker (models)	41A5334	1
Speaker Power brick - US, Canada, LA low voltage, ASEAN (models A2A)	89P8571	1
Speaker Power brick - Hong Kong, Malaysia, Singapore, UK, Brunei (models)	89P8573	1
Speaker Power brick - LA high voltage (non-APU) (models)	89P8575	1
Speaker Power brick - China, Thailand (models)	89P8581	1
Speaker Power brick - Japan (models A6J)	89P8577	1
Speaker Power brick - Brazil (models)	89P8583	1
Speaker Power brick - Argentina (models)	41A4901	1
Speaker Power brick - ANZ (models)	89P8579	1
Speaker Brick - Korea (models A1K)	41A4903	1
Speaker Brick - Taiwan (models)	41A4905	1
Speaker Power brick - India, South Africa (models A3Q A4Q)	89P8585	1
ATI RV610 256M LP, PCIe x16, DMS59/S-Video (models)	46R4160	2

<b>6010 Adapters and miscellaneous FRUs</b>	<b>FRU#</b>	<b>CRU</b>
ATI RV610 128M ATX, PCIe x16, DMS59/S-Video (models)	46R4159	2
ATI HD 2600XT(RV630XT) 512MB 128BIT ATX, PCIe x16, Dual DVI-I/S-Video (models CTO)	43C0261	2
DVI-VGA Dongle (models CTO)	45C7816	1
USB2.0 MEMORY CARDREADER,6X2,ROHS (models CTO)	45R1883	2
ODD/FDD/Cardreader Retainers (all models)	43N9351	2
20-in-1 Card Reader (all models)	45R8139	2
Cable Clip, FW-6D (all models)	43N9462	2

<b>6010 Power Cords</b>	<b>FRU#</b>	<b>CRU Tier</b>
Line Cord - US (models A2A A2T)	41R3184	1
Line Cord - US (models A2A A2T)	41R3185	1
Line Cord - China (models)	41R3256	1
Line Cord - China (models)	41R3257	1
Line Cord - Brazil (models)	41R3270	1
Line Cord - Brazil (models)	41R3271	1
Line Cord - LA High Volt (APU) (models)	41R3176	1
Line Cord - LA High Volt (APU) (models)	41R3177	1
Line Cord - Korea (models A1K)	41R3260	1
Line Cord - Korea (models A1K)	41R3261	1
Line Cord - UK, Ireland, Singapore, Malaysia, Brunei (models A2A)	41R3224	1
Line Cord - UK, Ireland, Singapore, Malaysia, Brunei (models A2A)	41R3225	1
Line Cord - Taiwan (models)	41R3278	1
Line Cord - Taiwan (models)	41R3279	1
Line Cord - Italy (models)	41R3232	1
Line Cord - Italy (models)	41R3233	1
Line Cord - Indonesia, Laos, Cambodia, and Vietnam (models A2A)	41R3208	1
Line Cord - Indonesia, Laos, Cambodia, and Vietnam (models A2A)	41R3209	1
Line Cord - Denmark (models)	41R3212	1
Line Cord - Denmark (models)	41R3213	1
Line Cord - Switzerland (models)	41R3228	1
Line Cord - Switzerland (models)	41R3229	1
Line Cord - Israel (models)	41R3236	1
Line Cord - Israel (models)	41R3237	1
Line Cord - South Africa (models A2A)	41R3220	1
Line Cord - South Africa (models A2A)	41R3221	1
Line Cord - India (models )	41R3341	1
Line Cord - India (models )	41R3175	1
Line Cord - Japan (models A6J A9J)	41R3248	1
Line Cord - Japan (models A6J A9J)	41R3249	1
Line Cord - ANZ (models)	41R3196	1

<b>6010 Power Cords</b>	<b>FRU#</b>	<b>CRU Tier</b>
Line Cord - ANZ (models)	41R3197	1
Line Cord - Hong Kong (models)	41R3224	1
Line Cord - Hong Kong (models)	41R3225	1

<b>6010 Windows XP Home Recovery CDs</b>	<b>FRU#</b>	<b>CRU</b>
English (models CTO)	45R6005	1
French (models CTO)	45R6006	1
German (models CTO)	45R6007	1
Spanish (models CTO)	45R6008	1
Brazil (models CTO)	45R6009	1
Italian (models)	45R6010	1
Japanese (models)	45R6011	1
Norwegian (models CTO)	45R6012	1
Swedish (models CTO)	45R6013	1
Danish (models CTO)	45R6014	1
Dutch (models CTO)	45R6015	1
Czech (models CTO)	45R6016	1
Finnish (models CTO)	45R6017	1
Hebrew (models CTO)	45R6018	1
Polish (models CTO)	45R6019	1
Arabic (models CTO)	45R6020	1
Russian (models CTO)	45R6021	1
Turkish (models CTO)	45R6022	1
Hungarian (models CTO)	45R6023	1
Greek (models CTO)	45R6024	1
Simplified Chinese (models CTO)	45R6025	1
Taiwan (models CTO)	45R6026	1
HongKong (models CTO)	45R6027	1
Korea (models CTO)	45R6028	1
Russian English (models CTO)	45R6029	1
Portuguese (models CTO)	45R6030	1

<b>6010 Windows XP Pro Recovery CDs</b>	<b>FRU#</b>	<b>CRU</b>
English (models A2A)	45R5979	1
French (models)	45R5980	1
German (models)	45R5981	1
Spanish (models)	45R5982	1
Brazil (models)	45R5983	1
Italian (models)	45R5984	1
Japanese (models)	45R5985	1
Norwegian (models)	45R5986	1

<b>6010 Windows XP Pro Recovery CDs</b>	<b>FRU#</b>	<b>CRU</b>
Swedish (models)	45R5987	1
Danish (models)	45R5988	1
Dutch (models)	45R5989	1
Czech (models)	45R5990	1
Finnish (models)	45R5991	1
Hebrew (models)	45R5992	1
Polish (models)	45R5993	1
Arabic (models)	45R5994	1
Russian (models)	45R5995	1
Turkish (models)	45R5996	1
Hungarian (models)	45R5997	1
Greek (models)	45R5998	1
Simplified Chinese (models)	45R5999	1
Taiwan (models)	45R6000	1
HongKong (models)	45R6001	1
Korea (models)	45R6002	1
Russian English (models)	45R6003	1
Portuguese (models)	45R6004	1
MUL 1 - EN, NL, FR, GR, IT (models)	45R5977	1
MUL 2 - EN, DK, FI, NO, SV (models)	45R5978	1

<b>6010 Vista Home Basic 32 Recovery DVDs</b>	<b>FRU#</b>	<b>CRU</b>
English (models A4Q)	46R7098	1
Russian English (models CTO)	46R7099	1
French (models CTO)	46R7100	1
German (models CTO)	46R7101	1
Spanish (models CTO)	46R7102	1
Brazilian (models CTO)	46R7103	1
Italian (models CTO)	46R7104	1
Japanese (models)	46R7105	1
Norwegian (models CTO)	46R7106	1
Swedish (models CTO)	46R1086	1
Danish (models CTO)	46R7107	1
Dutch (models CTO)	46R1088	1
Czech (models CTO)	46R1089	1
Finnish (models CTO)	46R1090	1
Polish (models CTO)	46R1091	1
Russian (models CTO)	46R7108	1
Turkish (models CTO)	46R1093	1
Hungarian (models CTO)	46R1094	1
Greek (models CTO)	46R1095	1

<b>6010 Vista Home Basic 32 Recovery DVDs</b>	<b>FRU#</b>	<b>CRU</b>
Simplified Chinese (models CTO)	46R7109	1
Taiwan (models CTO)	46R7110	1
HongKong (models CTO)	46R7111	1
Korea (models A1K)	46R1099	1
Slovenian (models CTO)	46R1100	1
Hebrew (models CTO)	46R1101	1
Portuguese (models CTO)	46R1102	1
Arabic Localized (models CTO)	46R1103	1
Slovakia (models CTO)	46R1104	1

<b>6010 Vista Business 32 Recovery DVDs</b>	<b>FRU#</b>	<b>CRU</b>
English (models)	46R7070	1
Russian English (models)	46R7071	1
French (models)	46R7072	1
German (models)	46R7073	1
Spanish (models)	46R7074	1
Brazilian (models)	46R7075	1
Italian (models)	46R7076	1
Japanese (models A6J A9J)	46R7077	1
Norwegian (models)	46R7078	1
Swedish (models)	46R1028	1
Danish (models )	46R7079	1
Dutch (models)	46R1030	1
Czech (models)	46R1031	1
Finnish (models)	46R1032	1
Polish (models)	46R1033	1
Russian (models)	46R7080	1
Turkish (models)	46R1035	1
Hungarian (models)	46R1036	1
Greek (models)	46R1037	1
Simplified Chinese (models)	46R7081	1
Traditional Chinese (models)	46R7082	1
Traditional Chinese (models)	46R7083	1
Korean (models)	46R1041	1
Slovenian (models)	46R1042	1
Romanian (models )	46R1043	1
Portuguese (models)	46R1044	1
Sebian-Latin (models)	46R1045	1
Slovakian (models)	46R1046	1
Arabic Localized (models)	46R1047	1
Hebrew (models)	46R1048	1

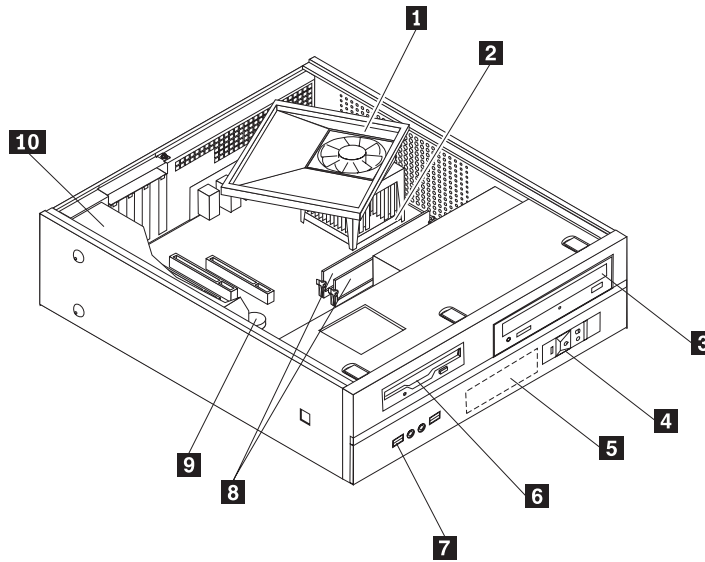
6010 Vista Ultimate 32 Recovery DVDs	FRU#	CRU
English (models)	45R5949	1
Russian English (models)	45R5950	1
French (models)	45R5951	1
German (models)	45R5952	1
Spanish (models)	45R5953	1
Brazilian (models)	45R5954	1
Italian (models)	45R5955	1
Japanese (models)	45R5956	1
Norwegian (models)	45R5957	1
Swedish (models)	45R5958	1
Danish (models)	45R5959	1
Dutch (models)	45R5960	1
Czech (models)	45R5961	1
Finnish (models)	45R5962	1
Polish (models)	45R5963	1
Russian (models)	45R5964	1
Turkish (models)	45R5965	1
Hungarian (models)	45R5966	1
Greek (models)	45R5967	1
Simplified Chinese (models)	45R5968	1
Traditional Chinese (models)	45R5969	1
Traditional Chinese (models)	45R5970	1
Korean (models)	45R5971	1
Slovenian (models)	45R5972	1
Hebrew (models)	45R5973	1
Portuguese (models)	45R5974	1
Slovakian (models)	45R5975	1
Arabic Localized (models)	45R5976	1

6010 XP Pro Recovery DVDs	FRU#	CRU
English (models)	45R8811	1
French (models)	45R8812	1
German (models)	45R8813	1
Spanish (models)	45R8814	1
Brazil (models)	45R8815	1
Italian (models)	45R8816	1
Japanese (models)	45R8817	1
Norwegian (models)	45R8818	1
Swedish (models)	45R8819	1
Danish (models)	45R8820	1



6010 XP Pro Recovery DVDs	FRU#	CRU
Dutch (models)	45R8821	1
Czech (models)	45R8822	1
Finnish (models)	45R8823	1
Hebrew (models)	45R8824	1
Polish (models)	45R8825	1
Arabic (models)	45R8826	1
Russian (models)	45R8827	1
Turkish (models)	45R8828	1
Hungarian (models)	45R8829	1
Greek (models)	45R8830	1
Simplified Chinese (models)	45R8831	1
Taiwan (models)	45R8832	1
HongKong (models)	45R8833	1
Korea (models)	45R8834	1
Russian English (models)	45R8835	1
Portuguese (models)	45R8836	1
Slovenian (models)	45R8837	1

## Machine Type 6068



Item #	6068 FRUs	FRU#	CRU
1	Heat Sink/RM Kit Intel (all models)	41R6022	2
2	Microprocessor, Core 2 Duo E2220 Processor 2.4GHz 800MHz FSB 1M L2 65W (models)	45C1774	N
2	Microprocessor, Core 2 Duo E4700 Processor 2.6GHz 800MHz 2M 65W (models)	45R5786	N
2	Microprocessor, Core 2 Duo E6550 Processor 2.33GHz 1333MHz FSB 4M L2 (models A1V)	43C3833	N
2	Microprocessor, Celeron 430 Processor 1.8GHz 800MHz FSB 512K L2 (models A2G)	43C1964	N
2	Microprocessor, Q6600 KENTSFIELD G-0 8MB 4c LGA 2.4GHZ 1066FSB (models CTO)	43C1695	N
2	Microprocessor, Q6700 KENTSFIELD G-0 8MB 4c LGA 2.66GHZ 1066FSB (models CYO)	43C6309	N
2	Microprocessor, Core 2 Duo E4600 Processor 2.4GHz 800MHz FSB 2M L2 (models)	45C5282	N
2	Microprocessor, Core 2 Duo E2200 Processor 2.2GHz 800MHz FSB 1M L2 (models)	45C5349	N
2	Microprocessor, Core 2 Duo E8500 Processor 3.16GHz 1333MHz FSB 6M L2 (models CTO)	45C7735	N
2	Microprocessor, Core 2 Duo E8400 Processor 3.0GHz 1333MHz FSB 6M L2 (models)	45C7736	N
2	Microprocessor, Core 2 Duo E8300 Processor 2.83GHz 1333MHz FSB 6M L2 (models)	45C7737	N
2	Microprocessor, Core 2 Duo E8200 Processor 2.66GHz 1333MHz FSB 6M L2(models)	45C7738	N
2	Microprocessor, Core2 Duo E8190 Processor 1333/2600MHz 6M L2 65W Non vPro (models)	45R2568	N
2	Microprocessor, Core 2 Duo E7200 Processor 2.53GHz 1066MHz 3M L2 65W (models)	45R8337	N
2	Microprocessor, Dual Core E1400 Processor 2.0GHz 800MHz 512K L2 65W (models)	45R8339	N
2	Microprocessor, Dual Core E1200 Processor 1.6GHz 800MHz 512K (models)	45R8341	N

Item #	6068 FRUs	FRU#	CRU
2	Microprocessor, Wolfdale Core 2 Duo E7300 Processor 2.66GHz 1066MHz FSB 3M L2 65W M0 Stepping (models)	46R1622	N
2	Microprocessor, Dual Core E1600 Processor 2.4GHz 800MHz 512K L2 65W M0 Stepping Level (models)	46R1655	N
2	Microprocessor, Core 2 Duo E2180 Processor 2.0GHz 800MHz FSB 1M L2 (models)	45C1773	N
3	DVD-ROM Drive - 16x/48x - SATA XP and Vista (models A1V)	41N3325	2
3	DVD-ROM/CD-RW Combo Drive - 48x/32x/48x/16x - SATA vista and XP (models A2G)	42Y9353	2
4	Front Power/LED PC, bracket, and cable (all models)	41N8213	2
5	Hard disk drive, 160GB (7200RPM), Serial ATA (models A1V A2G)	40Y9035	2
6	Diskette drive, 3,5", 1.44MB, 2-mode, (w/bezel) (models)	40Y9105	2
6	Diskette drive, 3,5", 1.44MB, 2-mode, (w/bezel) (models)	40Y9107	2
7	Front USB/Audio with bracket (all models)	41N8212	2
8	Memory module, 1 GB PC2-5300 (667MHz) DDR2 SDRAM (models A1V A2G)	41X4256	2
9	System board, Saturn non AMT(GA) support 45nm processor (models A1V A2G)	45R5312	N
9	System board, Saturn AMT(GA) support 45nm processor (models)	45R5313	N
10	280 Watt DT Power Supply -Standard, Robust, JP (models A1V A2G )	41A9705	N

The FRUs listed in the following tables are not illustrated.

6068 FRUs	FRU#	CRU
Second Serial Port Cable, 250mm (all models)	42Y8008	2
Cable, diskette drive (all models)	41A7147	2
Hard disk drive fan and bracket asm (all models)	41R6325	2
Fan duct assembly (all models)	41R4808	2
Shield, EMC, blank 5.25 in. drive bay (all models)	41N8271	2
Shield, EMC, blank diskette drive bay (all models)	41N8273	2
Foot stand (all models)	41R4813	1
Rear USB 2Ports II LP (R), low profile I/O, 200mm, Rohs (all models)	42Y8006	2
System board shield (all models)	41R6108	N
Cover (all models)	41N8204	2
Mechanical shell kit (all models)	41R6223	N
Miscellaneous hardware kit (all models)	41N8209	2
Hard disk drive bracket assembly (plastic and grommets) (all models)	41N8210	2
Speaker cable assembly, 600 mm cable length (all models)	41N8217	2
Intrusion switch assembly (all models)	41R6208	2
Bezel kit, without IBM logo (all models)	41R6238	2
20-in-1 Card Reader (all models)	45R8139	2
Temp Sense Cable (165 mm) Fru Temp Sense Cable (165 mm) (all models)	43N9079	2
Intel 65W/95W Heatsink Kit (all models)	41R6429	2

<b>6068 Keyboards (USB Preferred - without hub)</b>	<b>FRU#</b>	<b>CRU Tier</b>
US English (models A2G)	41A5289	1
Arabic (models A2G)	41A5290	1
Arabic/French (models)	41A5291	1
Belgian/French (models A2G)	41A5292	1
Belgian/UK (models A2G)	41A5293	1
Bulgarian (models A2G)	41A5295	1
Czech (models A2G)	41A5297	1
Danish (models A2G)	41A5298	1
Dutch (models A2G)	41A5299	1
French (models A2G)	41A5300	1
German (models A2G)	41A5303	1
Greek (models A2G)	41A5304	1
Greek/US (models A2G)	41A5305	1
Hebrew (models A2G)	41A5306	1
Hungarian (models A2G)	41A5307	1
Iceland (models A2G)	41A5308	1
Japanese (models)	41A5310	1
Korean (models)	41A5311	1
Italian 141 (models A2G)	41A5309	1
Norwegian (models A2G)	41A5313	1
Polish (models A2G)	41A5314	1
Portuguese (models A2G)	41A5315	1
Romanian 096 (models A2G)	41A5317	1
Romanian 446 (models A2G)	41A5316	1
Russian/Cyrillic (models A2G)	41A5318	1
Serbian/Cyrillic (models A2G)	41A5319	1
Slovak (models A2G)	41A5320	1
Spanish (models A2G)	41A5321	1
Swedish/Finn (models A2G)	41A5322	1
Swiss (models A2G)	41A5323	1
Thailand (models)	41A5324	1
Turkish 440 (models A2G)	41A5325	1
Turkish 179 (models A2G)	41A5326	1
UK English (models A2G)	41A5327	1
US Euro (models A2G)	41A5328	1
Slovenian (models A2G)	41A5329	1

<b>6068 Keyboards (Preferred Pro Fingerprint Reader USB)</b>	<b>FRU#</b>	<b>CRU</b>
US English (models)	41A5248	1
Arabic (models)	41A5249	1
Arabic/French (models)	41A5250	1

<b>6068 Keyboards (Preferred Pro Fingerprint Reader USB)</b>	<b>FRU#</b>	<b>CRU</b>
Belgian/French (models)	41A5251	1
Belgian/UK (models)	41A5252	1
Brazil/Portuguese (models)	41A5253	1
Bulgarian (models)	41A5254	1
Czech (models)	41A5256	1
Danish (models)	41A5257	1
Dutch (models)	41A5258	1
French (models)	41A5259	1
French Canadian 445 (models)	41A5260	1
French Canadian 58 (models)	41A5261	1
German (models)	41A5262	1
Greek (models)	41A5263	1
Greek/US (models)	41A5264	1
Hebrew (models)	41A5265	1
Hungarian (models)	41A5266	1
Iceland (models)	41A5267	1
Italian 141 (models)	41A5268	1
Japanese (models)	41A5269	1
Korean (models)	41A5270	1
LA/Spanish (models)	41A5271	1
Norwegian (models)	41A5272	1
Polish (models)	41A5273	1
Portuguese (models)	41A5274	1
Romanian 096 (models)	41A5275	1
Romanian 446 (models)	41A5276	1
Russian/Cyrillic (models)	41A5277	1
Serbian/Cyrillic (models)	41A5278	1
Slovak (models)	41A5279	1
Spanish (models)	41A5280	1
Swedish/Finn (models)	41A5281	1
Swiss (models)	41A5282	1
Swiss (models)	41A5283	1
Turkish 440 (models)	41A5284	1
Turkish 179 (models)	41A5285	1
UK English (models)	41A5286	1
US Euro (models)	41A5287	1
Slovenian (models)	41A5288	1

<b>6068 mice</b>	<b>FRU#</b>	<b>CRU</b>
Optical Wheel Mouse (400DPI, USB) (models A1V A2G)	41U3013	1
Optical Wheel Mouse (400DPI, USB) models A1V A2G)	41U3030	1

<b>6068 Adapters and miscellaneous FRUs</b>	<b>FRU#</b>	<b>CRU</b>
IEEE 1394 Firewire Adapter (LP) (models CTO)	41D2781	2
PCI Modem Card (Soft) (models)	29R9729	2
L1 IEEE 1394 PCI Adapter (models)	41D2781	2
Dongle Cable - DMS59 to dual VGA (included in Denver L1) (models)	42Y8181	1
Dongle DMS Dule DMS-59 to dual DVI cable (models)	41X6398	1
Dongle DMS Dule DMS-59 to single VGA and single DVI cable (models)	42Y8183	1
Nvidia GeForce 7300LE 128MB 64bit LP / ATX with DMS59 (models)	42Y8165	2
ATI X1300LE 256M 64bit LP / ATX with DMS59 (models)	42Y8162	2
Speakers (2-piece) Lenovo Logo (models)	41A5331	2
BTL external speaker (models)	41A5334	1
Speaker Power brick - US, Canada, LA low voltage, ASEAN (models)	89P8571	1
Speaker Power brick - Hong Kong, Malaysia, Singapore, UK, Brunei (models A2G)	89P8573	1
Speaker Power brick - LA high voltage (non-APU) (models)	89P8575	1
Speaker Power brick - China, Thailand (models)	89P8581	1
Speaker Power brick - Japan (models)	89P8577	1
Speaker Power brick - Brazil (models)	89P8583	1
Speaker Power brick - Argentina (models)	41A4901	1
Speaker Power brick - ANZ (models)	89P8579	1
Speaker Brick - Korea (models)	41A4903	1
Speaker Brick - Taiwan (models A1V)	41A4905	1
Speaker Power brick - India, South Africa (models)	89P8585	1
New Casper DVI-D card, low profile, support HDCP (models)	43C0258	2
ATI RV610 256M LP, PCIe x16, DMS59/S-Video (models)	64Y3999	2
ATI RV610 128M ATX, PCIe x16, DMS59/S-Video (models)	64Y3997	2
USB2.0 MEMORY CARDREADER,6X2,ROHS, Slim (models CTO)	45R1883	2

<b>6068 Power Cords</b>	<b>FRU#</b>	<b>CRU Tier</b>
Line Cord - US (models)	41R3184	1
Line Cord - US (models)	41R3185	1
Line Cord - China (models)	41R3256	1
Line Cord - China (models)	41R3257	1
Line Cord - Brazil (models)	41R3270	1
Line Cord - Brazil (models)	41R3271	1
Line Cord - LA High Volt (APU) (models)	41R3176	1
Line Cord - LA High Volt (APU) (models)	41R3177	1
Line Cord - Korea (models)	41R3260	1
Line Cord - Korea (models)	41R3261	1
Line Cord - UK, Ireland, Singapore, Malaysia, Brunei (models A2G)	41R3224	1
Line Cord - UK, Ireland, Singapore, Malaysia, Brunei (models A2G)	41R3225	1
Line Cord - Taiwan (models A1V)	41R3278	1

<b>6068 Power Cords</b>	<b>FRU#</b>	<b>CRU Tier</b>
Line Cord - Taiwan (models A1V)	41R3279	1
Line Cord - Italy (models A2G)	41R3232	1
Line Cord - Italy (models A2G)	41R3233	1
Line Cord - Indonesia, Laos, Cambodia, and Vietnam (models)	41R3208	1
Line Cord - Indonesia, Laos, Cambodia, and Vietnam (models)	41R3209	1
Line Cord - Denmark (models A2G)	41R3212	1
Line Cord - Denmark (models A2G)	41R3213	1
Line Cord - Switzerland (models A2G)	41R3228	1
Line Cord - Switzerland (models A2G)	41R3229	1
Line Cord - Israel (models)	41R3236	1
Line Cord - Israel (models)	41R3237	1
Line Cord - South Africa (models)	41R3220	1
Line Cord - South Africa (models)	41R3221	1
Line Cord - India (models )	41R3341	1
Line Cord - India (models )	41R3175	1
Line Cord - Japan (models)	41R3248	1
Line Cord - Japan (models)	41R3249	1
Line Cord - ANZ (models)	41R3196	1
Line Cord - ANZ (models)	41R3197	1
Line Cord - Hong Kong (models)	41R3224	1
Line Cord - Hong Kong (models)	41R3225	1

<b>6068 Windows XP Home Recovery CDs</b>	<b>FRU#</b>	<b>CRU</b>
English (models CTO)	45R6005	1
French (models CTO)	45R6006	1
German (models CTO)	45R6007	1
Spanish (models CTO)	45R6008	1
Brazil (models CTO)	45R6009	1
Italian (models)	45R6010	1
Japanese (models)	45R6011	1
Norwegian (models CTO)	45R6012	1
Swedish (models CTO)	45R6013	1
Danish (models CTO)	45R6014	1
Dutch (models CTO)	45R6015	1
Czech (models CTO)	45R6016	1
Finnish (models CTO)	45R6017	1
Hebrew (models CTO)	45R6018	1
Polish (models CTO)	45R6019	1
Arabic (models CTO)	45R6020	1
Russian (models CTO)	45R6021	1
Turkish (models CTO)	45R6022	1

<b>6068 Windows XP Home Recovery CDs</b>	<b>FRU#</b>	<b>CRU</b>
Hungarian (models CTO)	45R6023	1
Greek (models CTO)	45R6024	1
Simplified Chinese (models CTO)	45R6025	1
Taiwan (models CTO)	45R6026	1
HongKong (models CTO)	45R6027	1
Korea (models CTO)	45R6028	1
Russian English (models CTO)	45R6029	1
Portuguese (models CTO)	45R6030	1

<b>6068 Windows XP Pro Recovery CDs</b>	<b>FRU#</b>	<b>CRU</b>
English (models)	45R5979	1
French (models)	45R5980	1
German (models)	45R5981	1
Spanish (models)	45R5982	1
Brazil (models)	45R5983	1
Italian (models)	45R5984	1
Japanese (models)	45R5985	1
Norwegian (models)	45R5986	1
Swedish (models)	45R5987	1
Danish (models)	45R5988	1
Dutch (models)	45R5989	1
Czech (models)	45R5990	1
Finnish (models)	45R5991	1
Hebrew (models)	45R5992	1
Polish (models)	45R5993	1
Arabic (models)	45R5994	1
Russian (models)	45R5995	1
Turkish (models)	45R5996	1
Hungarian (models)	45R5997	1
Greek (models)	45R5998	1
Simplified Chinese (models)	45R5999	1
Taiwan (models)	45R6000	1
HongKong (models)	45R6001	1
Korea (models)	45R6002	1
Russian English (models)	45R6003	1
Portuguese (models)	45R6004	1
MUL 1 - EN, NL, FR, GR, IT (models)	45R5977	1
MUL 2 - EN, DK, FI, NO, SV (models)	45R5978	1

<b>6068 Vista Home Basic 32 Recovery DVDs</b>	<b>FRU#</b>	<b>CRU</b>
English (models)	46R7098	1



<b>6068 Vista Home Basic 32 Recovery DVDs</b>	<b>FRU#</b>	<b>CRU</b>
Russian English (models CTO)	46R7099	1
French (models CTO)	46R7100	1
German (models CTO)	46R7101	1
Spanish (models CTO)	46R7102	1
Brazilian (models CTO)	46R7103	1
Italian (models CTO)	46R7104	1
Japanese (models)	46R7105	1
Norwegian (models CTO)	46R7106	1
Swedish (models CTO)	46R1086	1
Danish (models CTO)	46R7107	1
Dutch (models CTO)	46R1088	1
Czech (models CTO)	46R1089	1
Finnish (models CTO)	46R1090	1
Polish (models CTO)	46R1091	1
Russian (models CTO)	46R7108	1
Turkish (models CTO)	46R1093	1
Hungarian (models CTO)	46R1094	1
Greek (models CTO)	46R1095	1
Simplified Chinese (models CTO)	46R7109	1
Taiwan (models CTO)	46R7110	1
HongKong (models CTO)	46R7111	1
Korea (models)	46R1099	1
Slovenian (models CTO)	46R1100	1
Hebrew (models CTO)	46R1101	1
Portuguese (models CTO)	46R1102	1
Arabic Localized (models CTO)	46R1103	1
Slovakia (models CTO)	46R1104	1

<b>6068 Vista Business 32 Recovery DVDs</b>	<b>FRU#</b>	<b>CRU</b>
English (models A1G)	46R7070	1
Russian English (models A1G)	46R7071	1
French (models A1G)	46R7072	1
German (models A1G)	46R7073	1
Spanish (models A1G)	46R7074	1
Brazilian (models)	46R7075	1
Italian (models A1G)	46R7076	1
Japanese (models A1G)	46R7077	1
Norwegian (models A1G)	46R7078	1
Swedish (models A1G)	46R1028	1
Danish (models A1G)	46R7079	1
Dutch (models A1G)	46R1030	1

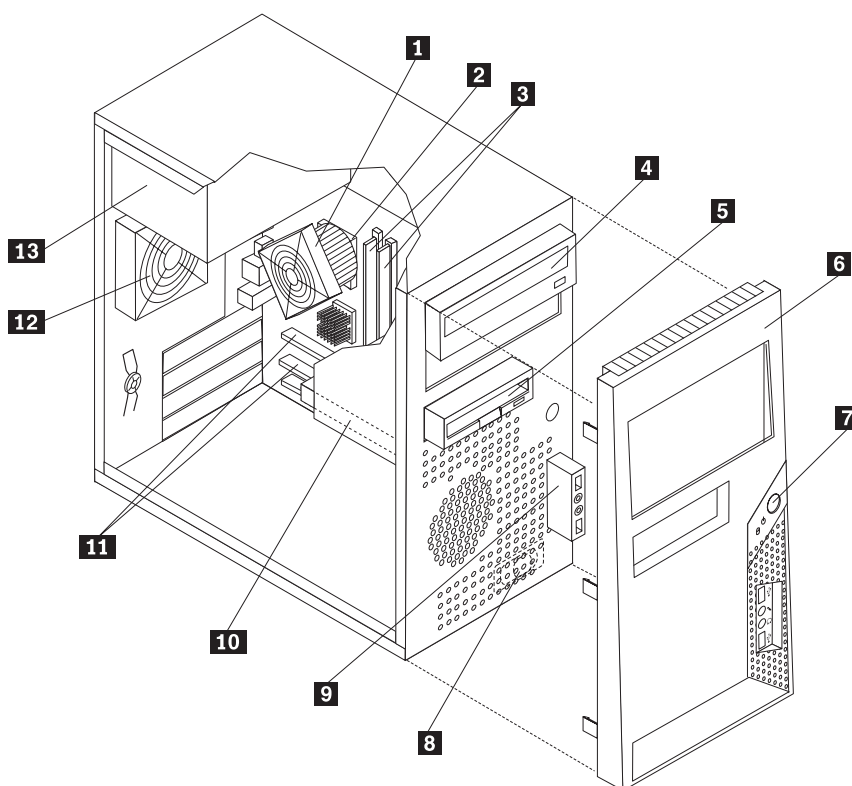
<b>6068 Vista Business 32 Recovery DVDs</b>	<b>FRU#</b>	<b>CRU</b>
Czech (models A1G)	46R1031	1
Finnish (models A1G)	46R1032	1
Polish (models A1G)	46R1033	1
Russian (models A1G)	46R7080	1
Turkish (models A1G)	46R1035	1
Hungarian (models A1G)	46R1036	1
Greek (models A1G)	46R1037	1
Simplified Chinese (models)	46R7081	1
Traditional Chinese (models A1V)	46R7082	1
Traditional Chinese (models A1V)	46R7083	1
Korean (models)	46R1041	1
Slovenian (models A1G)	46R1042	1
Romanian (models A1G)	46R1043	1
Portuguese (models A1G)	46R1044	1
Sebian-Latin (models)	46R1045	1
Slovakian (models A1G)	46R1046	1
Arabic Localized (models)	46R1047	1
Hebrew (models A1G)	46R1048	1

<b>6068 Vista Ultimate 32 Recovery DVDs</b>	<b>FRU#</b>	<b>CRU</b>
English (models)	45R5949	1
Russian English (models)	45R5950	1
French (models)	45R5951	1
German (models)	45R5952	1
Spanish (models)	45R5953	1
Brazilian (models)	45R5954	1
Italian (models)	45R5955	1
Japanese (models)	45R5956	1
Norwegian (models)	45R5957	1
Swedish (models)	45R5958	1
Danish (models)	45R5959	1
Dutch (models)	45R5960	1
Czech (models)	45R5961	1
Finnish (models)	45R5962	1
Polish (models)	45R5963	1
Russian (models)	45R5964	1
Turkish (models)	45R5965	1
Hungarian (models)	45R5966	1
Greek (models)	45R5967	1
Simplified Chinese (models)	45R5968	1
Traditional Chinese (models)	45R5969	1

<b>6068 Vista Ultimate 32 Recovery DVDs</b>	<b>FRU#</b>	<b>CRU</b>
Traditional Chinese (models)	45R5970	1
Korean (models)	45R5971	1
Slovenian (models)	45R5972	1
Hebrew (models)	45R5973	1
Portuguese (models)	45R5974	1
Slovakian (models)	45R5975	1
Arabic Localized (models)	45R5976	1

<b>6068 XP Pro Recovery DVDs</b>	<b>FRU#</b>	<b>CRU</b>
English (models)	45R8811	1
French (models)	45R8812	1
German (models)	45R8813	1
Spanish (models)	45R8814	1
Brazil (models)	45R8815	1
Italian (models)	45R8816	1
Japanese (models)	45R8817	1
Norwegian (models)	45R8818	1
Swedish (models)	45R8819	1
Danish (models)	45R8820	1
Dutch (models)	45R8821	1
Czech (models)	45R8822	1
Finnish (models)	45R8823	1
Hebrew (models)	45R8824	1
Polish (models)	45R8825	1
Arabic (models)	45R8826	1
Russian (models)	45R8827	1
Turkish (models)	45R8828	1
Hungarian (models)	45R8829	1
Greek (models)	45R8830	1
Simplified Chinese (models)	45R8831	1
Taiwan (models)	45R8832	1
HongKong (models)	45R8833	1
Korea (models)	45R8834	1
Russian English (models)	45R8835	1
Portuguese (models)	45R8836	1
Slovenian (models)	45R8837	1

## Machine Type 6069



Item #	6069 FRUs	FRU#	CRU Tier
1	Intel 65W/95w heatsink (all models)	43N9309	2
2	Microprocessor, Core 2 Duo E6550 Processor 2.33GHz 1333MHz FSB 4M L2 (models A2A A2T A1V A6G)	43C3833	N
2	Microprocessor, Core 2 Duo E6750 Processor 2.66GHz 1333MHz FSB 4M L2 G-0 Stepping Level, Mainstream/Value FMB, TXT support (models A7G)	43C1693	N
2	Microprocessor, Core 2 Duo E4400 Processor 2.0GHz 800MHz FSB 2M L2 (models A5G)	43C2056	N
2	Microprocessor, Core 2 Duo E2160 Processor 1.8GHz 800MHz FSB 1M L2 (models A3Q)	43C1968	N
2	Microprocessor, Core 2 Duo E2220 Processor 2.4GHz 800MHz FSB 1M L2 65W (models)	45C1774	N
2	Microprocessor, Core 2 Duo E4700 Processor 2.6GHz 800MHz 2M 65W (models)	45R5786	N
2	Microprocessor, Core 2 Duo E6540 Processor 2.33GHz 1333MHz FSB 4M L2 (models CTO)	43C6307	N
2	Microprocessor, Q6600 KENTSFIELD G-0 8MB 4c LGA 2.4GHZ 1066FSB (models CTO)	43C1695	N
2	Microprocessor, Q6700 KENTSFIELD G-0 8MB 4c LGA 2.66GHZ 1066FSB (models CTO)	43C6309	N
2	Microprocessor, Core 2 Duo E4600 Processor 2.4GHz 800MHz FSB 2M L2 (models)	45C5282	N
2	Microprocessor, Core 2 Duo E2200 Processor 2.2GHz 800MHz FSB 1M L2 (models)	45C5349	N
2	Microprocessor, Core 2 Duo E8500 Processor 3.16GHz 1333MHz FSB 6M L2 (models CTO)	45C7735	N

Item #	6069 FRUs	FRU#	CRU Tier
2	Microprocessor, Core 2 Duo E8400 Processor 3.0GHz 1333MHz FSB 6M L2 (models)	45C7736	N
2	Microprocessor, Core 2 Duo E8300 Processor 2.83GHz 1333MHz FSB 6M L2 (models)	45C7737	N
2	Microprocessor, Core 2 Duo E8200 Processor 2.66GHz 1333MHz FSB 6M L2 (models)	45C7738	N
2	Microprocessor, Core2 Duo E8190 Processor 1333/2600MHz 6M L2 65W Non vPro (models)	45R2568	N
2	Microprocessor, Core 2 Duo E7200 Processor 2.53GHz 1066MHz 3M L2 65W (models)	45R8337	N
2	Microprocessor, Dual Core E1400 Processor 2.0GHz 800MHz 512K L2 65W (models)	45R8339	N
2	Microprocessor, Dual Core E1200 Processor 1.6GHz 800MHz 512K (models)	45R8341	N
2	Microprocessor, Q9550 Yorkfield 2.83GHZ 1333FSB 12M 4/4 L2 95W C1 stepping (models)	45C7739	N
2	Microprocessor, Q9450 Yorkfield 2.66GHZ 1333FSB 12M 4/4 L2 95W C1 stepping (models)	45C7740	N
2	Microprocessor, Q9300 Yorkfield 2.50GHZ 1333FSB 6M 4/4 L2 95W M1 stepping (models)	45C7741	N
2	Microprocessor, Wolfdale Core 2 Duo E7300 Processor 2.66GHz 1066MHz FSB 3M L2 65W M0 Stepping (models)	46R1622	N
2	Microprocessor, Dual Core E1600 Processor 2.4GHz 800MHz 512K L2 65W M0 Stepping Level (models)	46R1655	N
2	Microprocessor, Core 2 Duo E2180 Processor 2.0GHz 800MHz FSB 1M L2 (models)	45C1773	N
3	Memory module, 512 MB PC2-5300 (667MHz) DDR2 SDRAM (models A3Q A1V)	41X4255	2
3	Memory module, 1 GB PC2-5300 (667MHz) DDR2 SDRAM (models A2A A2T A5G A6G A7G A1V)	41X4256	2
4	DVD-ROM Drive - 16x/48x - SATA XP and Vista (models A3Q A1V A8V)	41N3325	2
4	DVD-ROM/CD-RW Combo Drive - 48x/32x/48x/16x - SATA vista and XP (models A2A A2T A5G A6G)	42Y9353	2
4	DVD-RW/CD-RW Rambo 8 - SATA VISTA AND XP (models A7G)	43C1042	2
5	Diskette drive, 3,5", 1.44MB, 3Mode,(w/bezel) (models A1V A8V)	40Y9105	2
5	Diskette drive, 3,5", 1.44MB, 3Mode,(w/bezel) (models A1V A8V)	40Y9107	2
6	Bezel assembly (all models)	41N8052	2
7	Power switch/LED assembly (all models)	41N5284	2
8	Speaker assembly, soldered terminals (all models)	39P5023	2
9	Front audio/USB assembly (all models)	41N8054	2
10	Hard disk drive, 80GB (7200RPM), Serial ATA (models A2A A2T A3Q)	40Y9034	2
10	Hard disk drive, 160GB (7200RPM), Serial ATA (models A1V A5G A6G A7G A8V)	40Y9035	2
11	System board, Tamdhu II - Saturn non AMT(GA) support 45nm processor (Hard from 45R5312) (models A2A A2T A3Q A1V A5G A6G A7G A8V)	46R1842	N
11	System board, Tamdhu II - Saturn AMT(GA) support 45nm processor (Hard from 45R5313) (models)	46R1843	
12	Fan, Rear w/ grommets & Grill (all models)	41R6269	2
13	280 Watt ATX Power Supply - Standard, Robust (models A2A A2T A3Q A1V A5G A6G A7G A8V)	41A9684	2

The FRUs listed in the following tables are not illustrated.

6069 FRUs	FRU#	CRU Tier
Shield, 5.25 EMC (all models)	41N8080	2
Shield, diskette drive EMC (all models)	41N8078	2
Cable, Diskette drive (RoHs) (all models)	41A7182	2
Kit, Miscellaneous hardware (all models)	41N8055	2
Retainer, Card Reader (all models)	41R2913	2
Optional HDD Bracket Asm, without 4Pin cable (all models)	41R6106	2
Intrusion Switch asm (all models)	41R6116	2
Bezel, without IBM mark (all models)	41R6243	2
Cover, left side (all models)	41N8050	1
Chassis without IBM mark (all models)	41R6241	N
Hard disk drive tray (all models)	41R6291	N
Fan, front (all models)	41R4791	2
SATA cable,457mm,1 latching for device,RoHS (all models)	43N9013	2
SATA cable,250mm,1 latching for device,RoHS (all models)	43N9012	2
Fru-Cable, Temp Sense Cable (460mm) (all models)	41R2509	2
FRU - Blank 5.25" Bezel (all models)	41N8077	2

6069 Keyboards (USB Preferred - without hub)	FRU#	CRU Tier
US English (models A2A A3Q A5G A6G A7G)	41A5289	1
Arabic (models)	41A5290	1
Arabic/French (models A5G A6G A7G)	41A5291	1
Belgian/French (models A5G A6G A7G)	41A5292	1
Belgian/UK (models A5G A6G A7G)	41A5293	1
Bulgarian (models A5G A6G A7G)	41A5295	1
Chinese/US (models A1V A8V)	41A5296	1
Czech (models A5G A6G A7G)	41A5297	1
Danish (models A5G A6G A7G)	41A5298	1
Dutch (models A5G A6G A7G)	41A5299	1
French (models A5G A6G A7G)	41A5300	1
German (models A5G A6G A7G)	41A5303	1
Greek (models A5G A6G A7G)	41A5304	1
Greek/US (models A5G A6G A7G)	41A5305	1
Hebrew (models A5G A6G A7G)	41A5306	1
Hungarian (models A5G A6G A7G)	41A5307	1
Iceland (models A5G A6G A7G)	41A5308	1
Japanese (models)	41A5310	1
Korean (models)	41A5311	1
Italian 141 (models A5G A6G A7G)	41A5309	1

<b>6069 Keyboards (USB Preferred - without hub)</b>	<b>FRU#</b>	<b>CRU Tier</b>
Norwegian (models A5G A6G A7G)	41A5313	1
Polish (models A5G A6G A7G)	41A5314	1
Portuguese (models A5G A6G A7G)	41A5315	1
Romanian 096 (models A5G A6G A7G)	41A5317	1
Romanian 446 (models A5G A6G A7G)	41A5316	1
Russian/Cyrillic (models A5G A6G A7G)	41A5318	1
Serbian/Cyrillic (models A5G A6G A7G)	41A5319	1
Slovak (models A5G A6G A7G)	41A5320	1
Spanish (models A5G A6G A7G)	41A5321	1
Swedish/Finn (models A5G A6G A7G)	41A5322	1
Swiss (models A5G A6G A7G)	41A5323	1
Thailand (models A2T)	41A5324	1
Turkish 440 (models A5G A6G A7G)	41A5325	1
Turkish 179 (models A5G A6G A7G)	41A5326	1
UK English (models A5G A6G A7G)	41A5327	1
US Euro (models)	41A5328	1
Slovenian (models A5G A6G A7G)	41A5329	1

<b>6069 Keyboards (PS2 Preferred Pro)</b>	<b>FRU#</b>	<b>CRU Tier</b>
US English (models)	41A5039	1
Arabic (models)	41A5040	1
Arabic/French (models)	41A5041	1
Belgian/French (models)	41A5042	1
Belgian/UK (models)	41A5043	1
Bulgarian (models)	41A5045	1
Hong Kong/Taiwan (models)	41A5046	1
Czech (models)	41A5047	1
Danish (models)	41A5048	1
Dutch (models)	41A5049	1
French (models)	41A5050	1
French Canadian 445 (models)	41A5051	1
French Canadian 58 (models)	41A5052	1
German (models)	41A5053	1
Greek (models)	41A5054	1
Hebrew (models)	41A5055	1
Hungarian (models)	41A5056	1
Iceland (models)	41A5057	1
Italian (models)	41A5058	1
Korean (models)	41A5060	1
LA Spanish (models)	41A5061	1
Norwegian (models)	41A5062	1

<b>6069 Keyboards (PS2 Preferred Pro)</b>	<b>FRU#</b>	<b>CRU Tier</b>
Polish (models)	41A5063	1
Portuguese (models)	41A5064	1
Romanian (models)	41A5065	1
Russian/Cyrilic (models)	41A5066	1
Serbian/Cyrilic (models)	41A5067	1
Slovak (models)	41A5068	1
Spanish (models)	41A5069	1
Swedish/Finn (models)	41A5070	1
Swiss F/G (models)	41A5071	1
Turkish 440 (models)	41A5073	1
Turkish 179 (models)	41A5074	1
UK English (models)	41A5075	1
US Euro (models)	41A5076	1
Slovenian (models)	41A5077	1
Brazil/Portuguese (models)	41A5044	1

<b>6069 mice</b>	<b>FRU#</b>	<b>CRU Tier</b>
Optical Wheel Mouse (400DPI, USB) (models A2A A2T A3Q A1V A5G A6G A7G A8V)	41U3013	1
Optical Wheel Mouse (400DPI, USB) (models A2A A2T A3Q A1V A5G A6G A7G A8V)	41U3030	1

<b>6069 Adapters and miscellaneous FRUs</b>	<b>FRU#</b>	<b>CRU</b>
IEEE 1394 Firewire Adapter (ATX) (models CTO)	41D2781	2
PCI Modem Card (Soft) (models)	29R9729	2
L1 IEEE 1394 PCI Adapter (models)	41D2781	2
Dongle Cable - DMS59 to dual VGA (included in Denver L1) (models)	42Y8181	1
Dongle DMS Dule DMS-59 to dual DVI cable (models)	41X6398	1
Dongle DMS Dule DMS-59 to single VGA and single DVI cable (models)	42Y8183	1
Nvidia GeForce 7300LE 128MB 64bit LP / ATX with DMS59 (models)	42Y8165	2
ATI X1300LE 256M 64bit LP / ATX with DMS59 (models)	42Y8162	2
ATI HD 2600XT(RV630XT) 512MB 128BIT ATX, PCIe x16, Dual DVI-I/S-Video (models CTO)	43C0261	2
Speakers (2-piece) Lenovo Logo (models)	41A5331	2
BTL external speaker (models)	41A5334	1
Speaker Power brick - US, Canada, LA low voltage, ASEAN (models)	89P8571	1
Speaker Power brick - Hong Kong, Malaysia, Singapore, UK, Brunei (models A5G A6G A7G )	89P8573	1
Speaker Power brick - LA high voltage (non-APU) (models)	89P8575	1
Speaker Power brick - China, Thailand (models)	89P8581	1
Speaker Power brick - Japan (models)	89P8577	1
Speaker Power brick - Brazil (models)	89P8583	1
Speaker Power brick - Argentina (models)	41A4901	1



6069 Adapters and miscellaneous FRUs	FRU#	CRU
Speaker Power brick - ANZ (models A2A)	89P8579	1
Speaker Brick - Korea (models)	41A4903	1
Speaker Brick - Taiwan (models A1V A8V)	41A4905	1
Speaker Power brick - India, South Africa (models A3Q)	89P8585	1
ATI RV610 256M LP, PCIe x16, DMS59/S-Video (models)	46R4160	2
ATI RV610 128M ATX, PCIe x16, DMS59/S-Video (models)	46R4159	2
DVI-VGA Dongle (models CTO)	45C7816	1
USB2.0 MEMORY CARDREADER,6X2,ROHS (models CTO)	45R1883	2
ODD/FDD/Cardreader Retainers (all models)	43N9351	2
20-in-1 Card Reader (all models)	45R8139	2
Temp Sense Cable (165 mm) (all models)	43N9079	2

6069 Power Cords	FRU#	CRU Tier
Line Cord - US (models A2A A2T)	41R3184	1
Line Cord - US (models A2A A2T)	41R3185	1
Line Cord - China (models)	41R3256	1
Line Cord - China (models)	41R3257	1
Line Cord - Brazil (models)	41R3270	1
Line Cord - Brazil (models)	41R3271	1
Line Cord - LA High Volt (APU) (models)	41R3176	1
Line Cord - LA High Volt (APU) (models)	41R3177	1
Line Cord - Korea (models)	41R3260	1
Line Cord - Korea (models)	41R3261	1
Line Cord - UK, Ireland, Singapore, Malaysia, Brunei (models A2A A5G A6G A7G )	41R3224	1
Line Cord - UK, Ireland, Singapore, Malaysia, Brunei (models A2A A5G A6G A7G )	41R3225	1
Line Cord - Taiwan (models A1V A8V)	41R3278	1
Line Cord - Taiwan (models A1V A8V)	41R3279	1
Line Cord - Italy (models)	41R3232	1
Line Cord - Italy (models)	41R3233	1
Line Cord - Indonesia, Laos, Cambodia, and Vietnam (models A2A)	41R3208	1
Line Cord - Indonesia, Laos, Cambodia, and Vietnam (models A2A)	41R3209	1
Line Cord - Denmark (models A5G A6G A7G )	41R3212	1
Line Cord - Denmark (models A5G A6G A7G)	41R3213	1
Line Cord - Switzerland (models A5G A6G A7G)	41R3228	1
Line Cord - Switzerland (models A5G A6G A7G)	41R3229	1
Line Cord - Israel (models A5G A6G A7G)	41R3236	1
Line Cord - Israel (models A5G A6G A7G)	41R3237	1
Line Cord - South Africa (models A2A A5G A6G A7G)	41R3220	1
Line Cord - South Africa (models A2A A5G A6G A7G)	41R3221	1
Line Cord - India (models A3Q)	41R3341	1
Line Cord - India (models A3Q)	41R3175	1

<b>6069 Power Cords</b>	<b>FRU#</b>	<b>CRU Tier</b>
Line Cord - Japan (models)	41R3248	1
Line Cord - Japan (models)	41R3249	1
Line Cord - ANZ (models)	41R3196	1
Line Cord - ANZ (models)	41R3197	1
Line Cord - Hong Kong (models)	41R3224	1
Line Cord - Hong Kong (models)	41R3225	1

<b>6069 Windows XP Home Recovery CDs</b>	<b>FRU#</b>	<b>CRU</b>
English (models CTO)	45R6005	1
French (models CTO)	45R6006	1
German (models CTO)	45R6007	1
Spanish (models CTO)	45R6008	1
Brazil (models CTO)	45R6009	1
Italian (models)	45R6010	1
Japanese (models)	45R6011	1
Norwegian (models CTO)	45R6012	1
Swedish (models CTO)	45R6013	1
Danish (models CTO)	45R6014	1
Dutch (models CTO)	45R6015	1
Czech (models CTO)	45R6016	1
Finnish (models CTO)	45R6017	1
Hebrew (models CTO)	45R6018	1
Polish (models CTO)	45R6019	1
Arabic (models CTO)	45R6020	1
Russian (models CTO)	45R6021	1
Turkish (models CTO)	45R6022	1
Hungarian (models CTO)	45R6023	1
Greek (models CTO)	45R6024	1
Simplified Chinese (models CTO)	45R6025	1
Taiwan (models CTO)	45R6026	1
HongKong (models CTO)	45R6027	1
Korea (models CTO)	45R6028	1
Russian English (models CTO)	45R6029	1
Portuguese (models CTO)	45R6030	1

<b>6069 Windows XP Pro Recovery CDs</b>	<b>FRU#</b>	<b>CRU</b>
English (models A2A A3Q A5G A6G A7G )	45R5979	1
French (models A5G A6G A7G)	45R5980	1
German (models A5G A6G A7G)	45R5981	1
Spanish (models A5G A6G A7G)	45R5982	1
Brazil (models)	45R5983	1

<b>6069 Windows XP Pro Recovery CDs</b>	<b>FRU#</b>	<b>CRU</b>
Italian (models A5G A6G A7G)	45R5984	1
Japanese (models)	45R5985	1
Norwegian (models A5G A6G A7G)	45R5986	1
Swedish (models A5G A6G A7G)	45R5987	1
Danish (models A5G A6G A7G)	45R5988	1
Dutch (models A5G A6G A7G)	45R5989	1
Czech (models A5G A6G A7G)	45R5990	1
Finnish (models A5G A6G A7G)	45R5991	1
Hebrew (models A5G A6G A7G)	45R5992	1
Polish (models A5G A6G A7G)	45R5993	1
Arabic (models A5G A6G A7G)	45R5994	1
Russian (models A5G A6G A7G)	45R5995	1
Turkish (models A5G A6G A7G)	45R5996	1
Hungarian (models A5G A6G A7G)	45R5997	1
Greek (models A5G A6G A7G)	45R5998	1
Simplified Chinese (models)	45R5999	1
Taiwan (models)	45R6000	1
HongKong (models)	45R6001	1
Korea (models)	45R6002	1
Russian English (models A5G A6G A7G)	45R6003	1
Portuguese (models A5G A6G A7G)	45R6004	1
MUL 1 - EN, NL, FR, GR, IT (models A5G A6G A7G)	45R5977	1
MUL 2 - EN, DK, FI, NO, SV (models A5G A6G A7G)	45R5978	1

<b>6069 Vista Home Basic 32 Recovery DVDs</b>	<b>FRU#</b>	<b>CRU</b>
English (models)	46R7098	1
Russian English (models CTO)	46R7099	1
French (models CTO)	46R7100	1
German (models CTO)	46R7101	1
Spanish (models CTO)	46R7102	1
Brazilian (models CTO)	46R7103	1
Italian (models CTO)	46R7104	1
Japanese (models)	46R7105	1
Norwegian (models CTO)	46R7106	1
Swedish (models CTO)	46R1086	1
Danish (models CTO)	46R7107	1
Dutch (models CTO)	46R1088	1
Czech (models CTO)	46R1089	1
Finnish (models CTO)	46R1090	1
Polish (models CTO)	46R1091	1
Russian (models CTO)	46R7108	1

<b>6069 Vista Home Basic 32 Recovery DVDs</b>	<b>FRU#</b>	<b>CRU</b>
Turkish (models CTO)	46R1093	1
Hungarian (models CTO)	46R1094	1
Greek (models CTO)	46R1095	1
Simplified Chinese (models CTO)	46R7109	1
Taiwan (models CTO)	46R7110	1
HongKong (models CTO)	46R7111	1
Korea (models)	46R1099	1
Slovenian (models CTO)	46R1100	1
Hebrew (models CTO)	46R1101	1
Portuguese (models CTO)	46R1102	1
Arabic Localized (models CTO)	46R1103	1
Slovakia (models CTO)	46R1104	1

<b>6069 Vista Business 32 Recovery DVDs</b>	<b>FRU#</b>	<b>CRU</b>
English (models)	46R7070	1
Russian English (models)	46R7071	1
French (models)	46R7072	1
German (models)	46R7073	1
Spanish (models)	46R7074	1
Brazilian (models)	46R7075	1
Italian (models)	46R7076	1
Japanese (models)	46R7077	1
Norwegian (models)	46R7078	1
Swedish (models)	46R1028	1
Danish (models )	46R7079	1
Dutch (models)	46R1030	1
Czech (models)	46R1031	1
Finnish (models)	46R1032	1
Polish (models)	46R1033	1
Russian (models)	46R7080	1
Turkish (models)	46R1035	1
Hungarian (models)	46R1036	1
Greek (models)	46R1037	1
Simplified Chinese (models)	46R7081	1
Traditional Chinese (models)	46R7082	1
Traditional Chinese (models)	46R7083	1
Korean (models)	46R1041	1
Slovenian (models)	46R1042	1
Romanian (models )	46R1043	1
Portuguese (models)	46R1044	1
Sebian-Latin (models)	46R1045	1

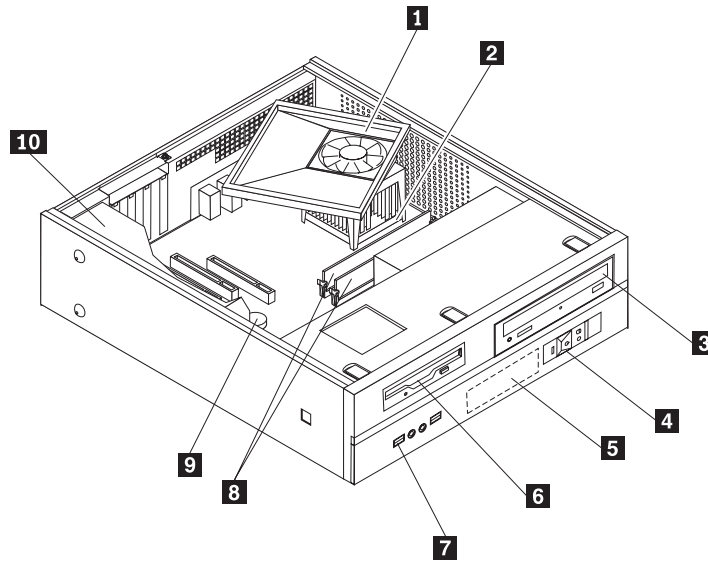
<b>6069 Vista Business 32 Recovery DVDs</b>	<b>FRU#</b>	<b>CRU</b>
Slovakian (models)	46R1046	1
Arabic Localized (models)	46R1047	1
Hebrew (models)	46R1048	1

<b>6069 Vista Ultimate 32 Recovery DVDs</b>	<b>FRU#</b>	<b>CRU</b>
English (models)	45R5949	1
Russian English (models)	45R5950	1
French (models)	45R5951	1
German (models)	45R5952	1
Spanish (models)	45R5953	1
Brazilian (models)	45R5954	1
Italian (models)	45R5955	1
Japanese (models)	45R5956	1
Norwegian (models)	45R5957	1
Swedish (models)	45R5958	1
Danish (models)	45R5959	1
Dutch (models)	45R5960	1
Czech (models)	45R5961	1
Finnish (models)	45R5962	1
Polish (models)	45R5963	1
Russian (models)	45R5964	1
Turkish (models)	45R5965	1
Hungarian (models)	45R5966	1
Greek (models)	45R5967	1
Simplified Chinese (models)	45R5968	1
Traditional Chinese (models)	45R5969	1
Traditional Chinese (models)	45R5970	1
Korean (models)	45R5971	1
Slovenian (models)	45R5972	1
Hebrew (models)	45R5973	1
Portuguese (models)	45R5974	1
Slovakian (models)	45R5975	1
Arabic Localized (models)	45R5976	1

<b>6069 XP Pro Recovery DVDs</b>	<b>FRU#</b>	<b>CRU</b>
English (models)	45R8811	1
French (models)	45R8812	1
German (models)	45R8813	1
Spanish (models)	45R8814	1
Brazil (models)	45R8815	1
Italian (models)	45R8816	1

6069 XP Pro Recovery DVDs	FRU#	CRU
Japanese (models)	45R8817	1
Norwegian (models)	45R8818	1
Swedish (models)	45R8819	1
Danish (models)	45R8820	1
Dutch (models)	45R8821	1
Czech (models)	45R8822	1
Finnish (models)	45R8823	1
Hebrew (models)	45R8824	1
Polish (models)	45R8825	1
Arabic (models)	45R8826	1
Russian (models)	45R8827	1
Turkish (models)	45R8828	1
Hungarian (models)	45R8829	1
Greek (models)	45R8830	1
Simplified Chinese (models)	45R8831	1
Taiwan (models)	45R8832	1
HongKong (models)	45R8833	1
Korea (models)	45R8834	1
Russian English (models)	45R8835	1
Portuguese (models)	45R8836	1
Slovenian (models)	45R8837	1

# Machine Type 6074



Item #	6074 FRUs	FRU#	CRU
1	Heat Sink/RM Kit Intel (all models)	41R6022	2
2	Microprocessor, Core 2 Duo E6550 Processor 2.33GHz 1333MHz FSB 4M L2 (models A2B A2H A3C)	43C3833	N
2	Microprocessor, Core 2 Duo E6750 Processor 2.66GHz 1333MHz FSB 4M L2 G-0 Stepping Level, Mainstream/Value FMB, TXT support (models A4G)	43C1693	N
2	Microprocessor, Core 2 Duo E2140 Processor 1.6GHz 800MHz FSB 1M L2 (models A1G)	43C1967	N
2	Microprocessor, Conroe E6600 Processor 2.40GHz 1066MHz FSB 4M L2 (models A6H A5V A7G A8G)	41X5743	N
2	Microprocessor, Core 2 Duo E2220 Processor 2.4GHz 800MHz FSB 1M L2 65W (models)	45C1774	N
2	Microprocessor, Core 2 Duo E4700 Processor 2.6GHz 800MHz 2M 65W (models)	45R5786	N
2	Microprocessor, Core 2 Duo E6540 Processor 2.33GHz 1333MHz FSB 4M L2 (models CTO)	43C6307	N
2	Microprocessor, Q6600 KENTSFIELD G-0 8MB 4c LGA 2.4GHZ 1066FSB (models CTO)	43C1695	N
2	Microprocessor, Q6700 KENTSFIELD G-0 8MB 4c LGA 2.66GHZ 1066FSB (models CTO)	43C6309	N
2	Microprocessor, Core 2 Duo E4600 Processor 2.4GHz 800MHz FSB 2M L2 (models)	45C5282	N
2	Microprocessor, Core 2 Duo E2200 Processor 2.2GHz 800MHz FSB 1M L2 (models)	45C5349	N
2	Microprocessor, Core 2 Duo E8500 Processor 3.16GHz 1333MHz FSB 6M L2 (models CTO)	45C7735	N
2	Microprocessor, Core 2 Duo E8400 Processor 3.0GHz 1333MHz FSB 6M L2 (models)	45C7736	N
2	Microprocessor, Core 2 Duo E8300 Processor 2.83GHz 1333MHz FSB 6M L2 (models)	45C7737	N
2	Microprocessor, Core 2 Duo E8200 Processor 2.66GHz 1333MHz FSB 6M L2 (models ACB ACH ABM ABA ABQ ABT ABK ABJ)	45C7738	N

Item #	6074 FRUs	FRU#	CRU
2	Microprocessor, Core2 Duo E8190 Processor 1333/2600MHz 6M L2 65W Non vPro (models)	45R2568	N
2	Microprocessor, Core 2 Duo E7200 Processor 2.53GHz 1066MHz 3M L2 65W (models AMV AJG AKG ALG)	45R8337	N
2	Microprocessor, Dual Core E1400 Processor 2.0GHz 800MHz 512K L2 65W (models)	45R8339	N
2	Microprocessor, Dual Core E1200 Processor 1.6GHz 800MHz 512K (models)	45R8341	N
2	Microprocessor, Wolfdale Core 2 Duo E7300 Processor 2.66GHz 1066MHz FSB 3M L2 65W M0 Stepping (models)	46R1622	N
2	Microprocessor, Dual Core E1600 Processor 2.4GHz 800MHz 512K L2 65W M0 Stepping Level (models)	46R1655	N
2	Microprocessor, Core 2 Duo E2180 Processor 2.0GHz 800MHz FSB 1M L2 (models)	45C1773	N
3	DVD-ROM Drive - 16x/48x - SATA XP and Vista (models A2B A2H A3C ACB A5V ABM ABA ABQ ABT ABK ABJ AMV AJG AKG )	41N3325	2
3	DVD-RW/CD-RW Rambo 8 - SATA VISTA AND XP (models A4G A6H A9G AAG ALG)	43C1042	2
3	DVD-ROM/CD-RW Combo Drive - 48x/32x/48x/16x - SATA vista and XP (models A1G A7G A8G)	42Y9353	2
4	Front Power/LED PC, bracket, and cable (all models)	41N8213	2
5	Hard disk drive, 160GB (7200RPM), Serial ATA (models A2B A2H A1G A3C A4G A6H ACB A5V ABM ABA ABQ ABT ABK ABJ A7G A8G A9G AAG AMV AJG AKG ALG)	40Y9035	2
6	Diskette drive, 3,5", 1.44MB, 2-mode, (w/bezel) (models A3C A5V)	40Y9105	2
6	Diskette drive, 3,5", 1.44MB, 2-mode, (w/bezel) (models A3C A5V)	40Y9107	2
6	Diskette drive, 3,5", 1.44MB, 2-mode, (w/bezel) (models A3C)	40Y9113	2
7	Front USB/Audio with bracket (all models)	41N8212	2
8	Memory module, 512 MB PC2-5300 (667MHz) DDR2 SDRAM (models AJG)	41X4255	2
8	Memory module, 1 GB PC2-5300 (667MHz) DDR2 SDRAM (models A2B A2H A1G A3C A4G A6H ACB A5V ABM ABA ABQ ABT ABK ABJ A7G A8G A9G AAG AMV AKG ALG )	41X4256	2
9	System board, Saturn non AMT(GA) support 45nm processor (models A2B A2H A1G A3C A4G A6H ACB A5V ABM ABA ABQ ABT ABK ABJ A7G A8G A9G AAG AMV AJG AKG ALG)	45R5312	N
9	System board, Saturn AMT(GA) support 45nm processor (models)	45R5313	N
10	280 Watt DT Power Supply -Standard, Robust, JP (models A2B A2H A1G A3C A4G A6H ACB A5V ABM ABA ABQ ABT ABK ABJ A7G A8G A9G AAG AMV AJG AKG ALG)	41A9705	N

The FRUs listed in the following tables are not illustrated.

6074 FRUs	FRU#	CRU
Second Serial Port Cable, 250mm (all models)	42Y8008	2
Cable, diskette drive (all models)	41A7147	2
Hard disk drive fan and bracket asm (all models)	41R6325	2
Fan duct assembly (all models)	41R4808	2



6074 FRUs	FRU#	CRU
Shield, EMC, blank 5.25 in. drive bay (all models)	41N8271	2
Shield, EMC, blank diskette drive bay (all models)	41N8273	2
Foot stand (all models)	41R4813	1
Rear USB 2Ports II LP (R), low profile I/O, 200mm, Rohs (all models)	42Y8006	2
System board shield (all models)	41R6108	N
Cover (all models)	41N8204	2
Mechanical shell kit (all models)	41R6223	N
Miscellaneous hardware kit (all models)	41N8209	2
Hard disk drive bracket assembly (plastic and grommets) (all models)	41N8210	2
Speaker cable assembly, 600 mm cable length (all models)	41N8217	2
Intrusion switch assembly (all models)	41R6208	2
Bezel kit, without IBM logo (all models)	41R6238	2
20-in-1 Card Reader (all models)	45R8139	2
Temp Sense Cable (165 mm) (all models)	43N9079	2
Intel 65W/95W Heatsink Kit (all models)	41R6429	2

6074 Keyboards (USB Preferred - without hub)	FRU#	CRU Tier
US English (models A2H A1G A4G A7G A8G A9G AAG A6H ABM ABA ABQ AJG AKG ALG)	41A5289	1
Arabic (models A1G A4G)	41A5290	1
Arabic/French (models A2H A1G A4G A7G A8G A9G AAG AJG AKG ALG)	41A5291	1
Belgian/French (models A2H A1G A4G A7G A8G A9G AAG AJG AKG ALG)	41A5292	1
Belgian/UK (models A2H A1G A4G A7G A8G A9G AAG AJG AKG ALG)	41A5293	1
Bulgarian (models A2H A1G A4G A7G A8G A9G AAG AJG AKG ALG)	41A5295	1
Chinese/US (models A2B ACB A5V AMV)	41A5296	1
Czech (models A2H A1G A4G A7G A8G A9G AAG AJG AKG ALG)	41A5297	1
Danish (models A2H A1G A4G A7G A8G A9G AAG AJG AKG ALG)	41A5298	1
Dutch (models A2H A1G A4G A7G A8G A9G AAG AJG AKG ALG)	41A5299	1
French (models A2H A1G A4G A7G A8G A9G AAG AJG AKG ALG)	41A5300	1
German (models A2H A1G A4G A7G A8G A9G AAG AJG AKG ALG)	41A5303	1
Greek (models A2H A1G A4G A7G A8G A9G AAG AJG AKG ALG)	41A5304	1
Greek/US (models A2H A1G A4G A7G A8G A9G AAG AJG AKG ALG)	41A5305	1
Hebrew (models A2H A1G A4G A7G A8G A9G AAG AJG AKG ALG)	41A5306	1
Hungarian (models A2H A1G A4G A7G A8G A9G AAG AJG AKG ALG)	41A5307	1
Iceland (models A2H A1G A4G A7G A8G A9G AAG AJG AKG ALG)	41A5308	1
Italian 141 (models A2H A1G A4G A7G A8G A9G AAG AJG AKG ALG)	41A5309	1
Japanese (models ABJ)	41A5310	1
Korean (models ABK)	41A5311	1
Norwegian (models A2H A1G A4G A7G A8G A9G AAG AJG AKG ALG)	41A5313	1
Polish (models A2H A1G A4G A7G A8G A9G AAG AJG AKG ALG)	41A5314	1
Portuguese (models A2H A1G A4G A7G A8G A9G AAG AJG AKG ALG)	41A5315	1

<b>6074 Keyboards (USB Preferred - without hub)</b>	<b>FRU#</b>	<b>CRU Tier</b>
Romanian 096 (models A2H A1G A4G A7G A8G A9G AAG AJG AKG ALG)	41A5317	1
Romanian 446 (models A2H A1G A4G A7G A8G A9G AAG AJG AKG ALG)	41A5316	1
Russian/Cyrillic (models A2H A1G A4G A7G A8G A9G AAG AJG AKG ALG)	41A5318	1
Serbian/Cyrillic (models A2H A1G A4G A7G A8G A9G AAG AJG AKG ALG)	41A5319	1
Slovak (models A2H A1G A4G A7G A8G A9G AAG AJG AKG ALG)	41A5320	1
Spanish (models A2H A1G A4G A7G A8G A9G AAG AJG AKG ALG)	41A5321	1
Swedish/Finn (models A2H A1G A4G A7G A8G A9G AAG AJG AKG ALG)	41A5322	1
Swiss (models A2H A1G A4G A7G A8G A9G AAG AJG AKG ALG)	41A5323	1
Thailand (models ABT)	41A5324	1
Turkish 440 (models A2H A1G A4G A7G A8G A9G AAG AJG AKG ALG)	41A5325	1
Turkish 179 (models A2H A1G A4G A7G A8G A9G AAG AJG AKG ALG)	41A5326	1
UK English (models A2H A1G A4G A7G A8G A9G AAG AJG AKG ALG)	41A5327	1
US Euro (models A2H A1G A4G A7G A8G A9G AAG AJG AKG ALG)	41A5328	1
Slovenian (models A2H A1G A4G A7G A8G A9G AAG AJG AKG ALG)	41A5329	1

<b>6074 Keyboards (Fingerprint Reader USB)</b>	<b>FRU#</b>	<b>CRU Tier</b>
US English (models)	41A5248	1
Arabic (models)	41A5249	1
Arabic/French (models)	41A5250	1
Belgian/French (models)	41A5251	1
Belgian/UK (models)	41A5252	1
Brazil/Portuguese (models)	41A5253	1
Bulgarian (models)	41A5254	1
Chinese (models)	41A5255	1
Czech (models)	41A5256	1
Danish (models)	41A5257	1
Dutch (models)	41A5258	1
French (models)	41A5259	1
French Canadian 445 (models)	41A5260	1
French Canadian 58 (models)	41A5261	1
German (models)	41A5262	1
Greek (models)	41A5263	1
Greek/US (models)	41A5264	1
Hebrew (models)	41A5265	1
Hungarian (models)	41A5266	1
Iceland (models)	41A5267	1
Italian 141 (models)	41A5268	1
Japanese (models)	41A5269	1
Korean (models)	41A5270	1
LA Spanish (models)	41A5271	1
Norwegian (models)	41A5272	1

<b>6074 Keyboards (Fingerprint Reader USB)</b>	<b>FRU#</b>	<b>CRU Tier</b>
Polish (models)	41A5273	1
Portuguese (models)	41A5274	1
Romanian 096 (models)	41A5275	1
Romanian 446 (models)	41A5276	1
Russian/Cyrillic (models)	41A5277	1
Serbian/Cyrillic (models)	41A5278	1
Slovak (models)	41A5279	1
Spanish (models)	41A5280	1
Swedish/Finn (models)	41A5281	1
Swiss (models)	41A5282	1
Thailand (models)	41A5283	1
Turkish 440 (models)	41A5284	1
Turkish 179 (models)	41A5285	1
UK English (models)	41A5286	1
US Euro (models)	41A5287	1
Slovenian (models)	41A5288	1

<b>6074 mice</b>	<b>FRU#</b>	<b>CRU</b>
Optical Wheel Mouse (400DPI, USB) (models A2B A2H A1G A3C A4G A6H ACB A5V ABM ABA ABQ ABT ABK ABJ A7G A8G A9G AAG AMV AJG AKG ALG)	41U3013	1
Optical Wheel Mouse (400DPI, USB) (models A2B A2H A1G A3C A4G A6H ACB A5V ABM ABA ABQ ABT ABK ABJ A7G A8G A9G AAG AMV AJG AKG ALG)	41U3030	1

<b>6074 Adapters and miscellaneous FRUs</b>	<b>FRU#</b>	<b>CRU</b>
PCI Modem Card (Soft) (models)	29R9729	2
L1 IEEE 1394 PCI Adapter (models)	41D2781	2
Dongle Cable - DMS59 to dual VGA (included in Denver L1) (models)	42Y8181	1
Dongle DMS Dule DMS-59 to dual DVI cable (models)	41X6398	1
ATI RV610 256M LP, PCIe x16, DMS59/S-Video (models)	64Y3999	2
ATI RV610 128M ATX, PCIe x16, DMS59/S-Video (models)	64Y3997	2
Dongle DMS Dule DMS-59 to single VGA and single DVI cable (models)	42Y8183	1
Nvidia GeForce 7300LE 128MB 64bit LP / ATX with DMS59 (models)	42Y8165	2
ATI X1300LE 256M 64bit LP / ATX with DMS59 (models)	42Y8162	2
Speakers (2-piece) Lenovo Logo (models)	41A5331	2
BTL external speaker (models)	41A5334	1
Speaker Power brick - US, Canada, LA low voltage, ASEAN (models ABA)	89P8571	1
Speaker Power brick - Hong Kong, Malaysia, Singapore, UK, Brunei (models A1G A4G A6H ACB A7G A8G A9G AAG AJG AKG ALG)	89P8573	1
Speaker Power brick - LA high voltage (non-APU) (models)	89P8575	1
Speaker Power brick - China, Thailand (models ABT)	89P8581	1
Speaker Power brick - Japan (models ABJ)	89P8577	1
Speaker Power brick - Brazil (models)	89P8583	1

<b>6074 Adapters and miscellaneous FRUs</b>	<b>FRU#</b>	<b>CRU</b>
Speaker Power brick - Argentina (models)	41A4901	1
Speaker Power brick - ANZ (models ABM)	89P8579	1
Speaker Brick - Korea (models ABK)	41A4903	1
Speaker Brick - Taiwan (models A5V AMV)	41A4905	1
Speaker Power brick - India, South Africa (models)	89P8585	1
New Casper DVI-D card, low profile, support HDCP (models)	43C0258	2
USB2.0 MEMORY CARDREADER,6X2,ROHS, Slim (models CTO)	45R1883	2

<b>6074 Power Cords</b>	<b>FRU#</b>	<b>CRU Tier</b>
Line Cord - US (models ABA ABT)	41R3184	1
Line Cord - US (models ABA ABT)	41R3185	1
Line Cord - China (models A3C)	41R3256	1
Line Cord - China (models A3C)	41R3257	1
Line Cord - Brazil (models)	41R3270	1
Line Cord - Brazil (models)	41R3271	1
Line Cord - LA High Volt (APU) (models)	41R3176	1
Line Cord - LA High Volt (APU) (models)	41R3177	1
Line Cord - Korea (models ABK)	41R3260	1
Line Cord - Korea (models ABK)	41R3261	1
Line Cord - UK, Ireland, Singapore, Malaysia, Brunei (models A1G A4G A7G A8G A9G AAG AJG AKG ALG)	41R3224	1
Line Cord - UK, Ireland, Singapore, Malaysia, Brunei (models A1G A4G A7G A8G A9G AAG AJG AKG ALG)	41R3225	1
Line Cord - Taiwan (models)	41R3278	1
Line Cord - Taiwan (models)	41R3279	1
Line Cord - Italy (models A1G A4G A7G A8G A9G AAG AJG AKG ALG)	41R3232	1
Line Cord - Italy (models A1G A4G A7G A8G A9G AAG AJG AKG ALG)	41R3233	1
Line Cord - Indonesia, Laos, Cambodia, and Vietnam (models)	41R3208	1
Line Cord - Indonesia, Laos, Cambodia, and Vietnam (models)	41R3209	1
Line Cord - Denmark (models A1G A4G A7G A8G A9G AAG AJG AKG ALG)	41R3212	1
Line Cord - Denmark (models A1G A4G A7G A8G A9G AAG AJG AKG ALG)	41R3213	1
Line Cord - Switzerland (models A1G A4G A7G A8G A9G AAG AJG AKG ALG)	41R3228	1
Line Cord - Switzerland (models A1G A4G A7G A8G A9G AAG AJG AKG ALG)	41R3229	1
Line Cord - Israel (models A1G A4G A7G A8G A9G AAG AJG AKG ALG)	41R3236	1
Line Cord - Israel (models A1G A4G A7G A8G A9G AAG AJG AKG ALG)	41R3237	1
Line Cord - South Africa (models)	41R3220	1
Line Cord - South Africa (models)	41R3221	1
Line Cord - India (models )	41R3341	1
Line Cord - India (models )	41R3175	1
Line Cord - Japan (models ABJ)	41R3248	1
Line Cord - Japan (models ABJ)	41R3249	1

6074 Power Cords	FRU#	CRU Tier
Line Cord - ANZ (models ABM)	41R3196	1
Line Cord - ANZ (models ABM)	41R3197	1
Line Cord - Hong Kong (models A2B A2H ACB A6H)	41R3224	1
Line Cord - Hong Kong (models A2B A2H ACB A6H)	41R3225	1

6074 Windows XP Home Recovery CDs	FRU#	CRU
English (models CTO)	45R6005	1
French (models CTO)	45R6006	1
German (models CTO)	45R6007	1
Spanish (models CTO)	45R6008	1
Brazil (models CTO)	45R6009	1
Italian (models)	45R6010	1
Japanese (models)	45R6011	1
Norwegian (models CTO)	45R6012	1
Swedish (models CTO)	45R6013	1
Danish (models CTO)	45R6014	1
Dutch (models CTO)	45R6015	1
Czech (models CTO)	45R6016	1
Finnish (models CTO)	45R6017	1
Hebrew (models CTO)	45R6018	1
Polish (models CTO)	45R6019	1
Arabic (models CTO)	45R6020	1
Russian (models CTO)	45R6021	1
Turkish (models CTO)	45R6022	1
Hungarian (models CTO)	45R6023	1
Greek (models CTO)	45R6024	1
Simplified Chinese (models CTO)	45R6025	1
Taiwan (models CTO)	45R6026	1
HongKong (models CTO)	45R6027	1
Korea (models CTO)	45R6028	1
Russian English (models CTO)	45R6029	1
Portuguese (models CTO)	45R6030	1

6074 Windows XP Pro Recovery CDs	FRU#	CRU
English (models A7G A9G )	45R5979	1
French (models A7G A9G )	45R5980	1
German (models A7G A9G )	45R5981	1
Spanish (models A7G A9G )	45R5982	1
Brazil (models)	45R5983	1
Italian (models A7G A9G )	45R5984	1
Japanese (models)	45R5985	1

<b>6074 Windows XP Pro Recovery CDs</b>	<b>FRU#</b>	<b>CRU</b>
Norwegian (models A7G A9G )	45R5986	1
Swedish (models A7G A9G )	45R5987	1
Danish (models A7G A9G )	45R5988	1
Dutch (models A7G A9G )	45R5989	1
Czech (models A7G A9G )	45R5990	1
Finnish (models A7G A9G )	45R5991	1
Hebrew (models A7G A9G )	45R5992	1
Polish (models A7G A9G )	45R5993	1
Arabic (models A7G A9G )	45R5994	1
Russian (models A7G A9G )	45R5995	1
Turkish (models A7G A9G )	45R5996	1
Hungarian (models A7G A9G )	45R5997	1
Greek (models A7G A9G )	45R5998	1
Simplified Chinese (models)	45R5999	1
Taiwan (models)	45R6000	1
HongKong (models)	45R6001	1
Korea (models)	45R6002	1
Russian English (models A7G A9G )	45R6003	1
Portuguese (models A7G A9G )	45R6004	1
MUL 1 - EN, NL, FR, GR, IT (models A7G A9G)	45R5977	1
MUL 2 - EN, DK, FI, NO, SV (models A7G A9G)	45R5978	1

<b>6074 Vista Home Basic 32 Recovery DVDs</b>	<b>FRU#</b>	<b>CRU</b>
English (models A8G)	46R7098	1
Russian English (models A8G)	46R7099	1
French (models A8G)	46R7100	1
German (models A8G)	46R7101	1
Spanish (models CTO)	46R7102	1
Brazilian (models CTO)	46R7103	1
Italian (models A8G)	46R7104	1
Japanese (models)	46R7105	1
Norwegian (models A8G)	46R7106	1
Swedish (models A8G)	46R1086	1
Danish (models A8G)	46R7107	1
Dutch (models A8G)	46R1088	1
Czech (models A8G)	46R1089	1
Finnish (models A8G)	46R1090	1
Polish (models A8G)	46R1091	1
Russian (models A8G)	46R7108	1
Turkish (models A8G)	46R1093	1
Hungarian (models A8G)	46R1094	1

<b>6074 Vista Home Basic 32 Recovery DVDs</b>	<b>FRU#</b>	<b>CRU</b>
Greek (models A8G)	46R1095	1
Simplified Chinese (models CTO)	46R7109	1
Taiwan (models CTO)	46R7110	1
HongKong (models CTO)	46R7111	1
Korea (models CTO)	46R1099	1
Slovenian (models A8G)	46R1100	1
Hebrew (models A8G)	46R1101	1
Portuguese (models A8G)	46R1102	1
Arabic Localized (models CTO)	46R1103	1
Slovakia (models A8G)	46R1104	1

<b>6074 Vista Business 32 Recovery DVDs</b>	<b>FRU#</b>	<b>CRU</b>
English (models A2H A1G A4G A6H ACH ABM)	46R7070	1
Russian English (models A1G A4G AAG)	46R7071	1
French (models A1G A4G AAG)	46R7072	1
German (models A1G A4G AAG)	46R7073	1
Spanish (models A1G A4G AAG)	46R7074	1
Brazilian (models)	46R7075	1
Italian (models A1G A4G AAG)	46R7076	1
Japanese (models ABJ)	46R7077	1
Norwegian (models A1G A4G AAG)	46R7078	1
Swedish (models A1G A4G AAG)	46R1028	1
Danish (models A1G A4G AAG)	46R7079	1
Dutch (models A1G A4G AAG)	46R1030	1
Czech (models A1G A4G AAG)	46R1031	1
Finnish (models A1G A4G AAG)	46R1032	1
Polish (models A1G A4G AAG)	46R1033	1
Russian (models A1G A4G AAG)	46R7080	1
Turkish (models A1G A4G AAG)	46R1035	1
Hungarian (models A1G A4G AAG)	46R1036	1
Greek (models A1G A4G AAG)	46R1037	1
Simplified Chinese (models A3C)	46R7081	1
Traditional Chinese (models A2B ACB AMV )	46R7082	1
Traditional Chinese (models A2B ACB AMV )	46R7083	1
Korean (models A5K ABK)	46R1041	1
Slovenian (models A1G A4G AAG)	46R1042	1
Romanian (models A1G A4G AAG)	46R1043	1
Portuguese (models A1G A4G AAG)	46R1044	1
Sebian-Latin (models)	46R1045	1
Slovakian (models A1G A4G AAG)	46R1046	1
Arabic Localized (models)	46R1047	1

6074 Vista Business 32 Recovery DVDs	FRU#	CRU
Hebrew (models A1G A4G AAG)	46R1048	1

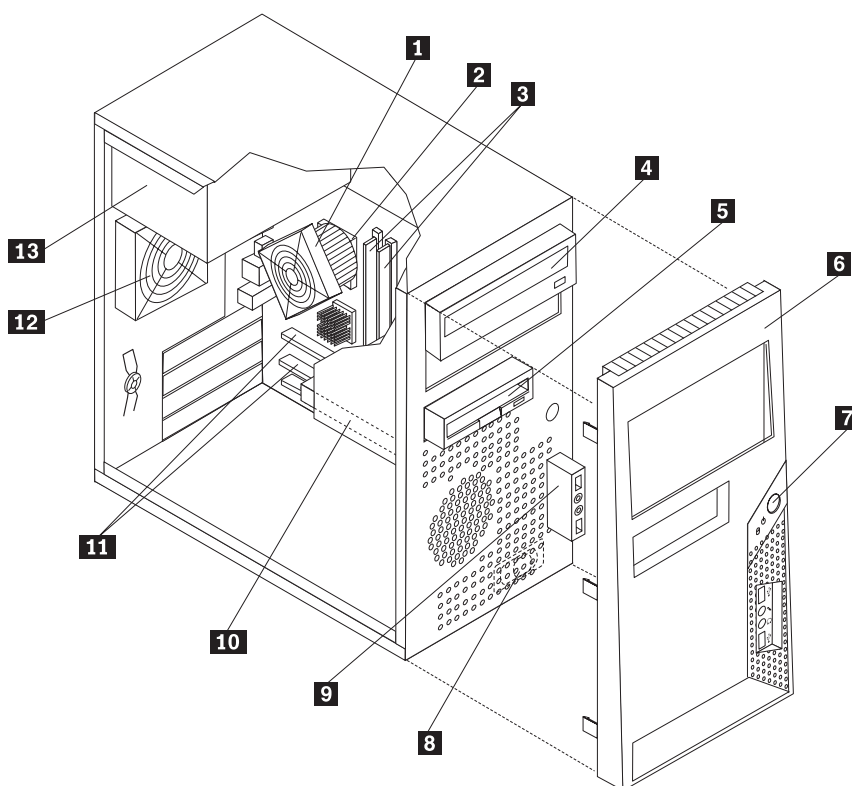
6074 Vista Ultimate 32 Recovery DVDs	FRU#	CRU
English (models)	45R5949	1
Russian English (models)	45R5950	1
French (models)	45R5951	1
German (models)	45R5952	1
Spanish (models)	45R5953	1
Brazilian (models)	45R5954	1
Italian (models)	45R5955	1
Japanese (models)	45R5956	1
Norwegian (models)	45R5957	1
Swedish (models)	45R5958	1
Danish (models)	45R5959	1
Dutch (models)	45R5960	1
Czech (models)	45R5961	1
Finnish (models)	45R5962	1
Polish (models)	45R5963	1
Russian (models)	45R5964	1
Turkish (models)	45R5965	1
Hungarian (models)	45R5966	1
Greek (models)	45R5967	1
Simplified Chinese (models)	45R5968	1
Traditional Chinese (models)	45R5969	1
Traditional Chinese (models)	45R5970	1
Korean (models)	45R5971	1
Slovenian (models)	45R5972	1
Hebrew (models)	45R5973	1
Portuguese (models)	45R5974	1
Slovakian (models)	45R5975	1
Arabic Localized (models)	45R5976	1

6074 XP Pro Recovery DVDs	FRU#	CRU
English (models)	45R8811	1
French (models)	45R8812	1
German (models)	45R8813	1
Spanish (models)	45R8814	1
Brazil (models)	45R8815	1
Italian (models)	45R8816	1
Japanese (models)	45R8817	1
Norwegian (models)	45R8818	1



6074 XP Pro Recovery DVDs	FRU#	CRU
Swedish (models)	45R8819	1
Danish (models)	45R8820	1
Dutch (models)	45R8821	1
Czech (models)	45R8822	1
Finnish (models)	45R8823	1
Hebrew (models)	45R8824	1
Polish (models)	45R8825	1
Arabic (models)	45R8826	1
Russian (models)	45R8827	1
Turkish (models)	45R8828	1
Hungarian (models)	45R8829	1
Greek (models)	45R8830	1
Simplified Chinese (models)	45R8831	1
Taiwan (models)	45R8832	1
HongKong (models)	45R8833	1
Korea (models)	45R8834	1
Russian English (models)	45R8835	1
Portuguese (models)	45R8836	1
Slovenian (models)	45R8837	1

## Machine Type 6075



Item #	6075 FRUs	FRU#	CRU Tier
1	Intel 65W/95w heatsink (all models)	43N9309	2
2	Microprocessor, Core 2 Duo E6550 Processor 2.33GHz 1333MHz FSB 4M L2 (models A2B A2H A9M A5U A5F A5S A5P A5L A5D A5Y A5G A5M A5A A5Q A5T A5C A5B A5H A5V A5K A5R A5E A5J A3C AFU AFF AGU AGF AHU AHF B1B B1H B5A B5Q B5T B9A B9T BPS BPY BQU BQF BQS BQP BQL BQD BQY BQG BQM BQA BQQ BQT BQC BQB BQH BQV BQK BQR BQE BQJ BUG E9U E9F E9S E9P E9L E9D E9Y E9G E9M E9A E9Q E9T E9C E9B E9H E9V E9K E9R E9E E9J)	43C3833	N
2	Microprocessor, Core 2 Duo E6750 Processor 2.66GHz 1333MHz FSB 4M L2 G-0 Stepping Level, Mainstream/Value FMB, TXT support (models BFG)	43C1693	N
2	Microprocessor, Core 2 Duo E2140 Processor 1.6GHz 800MHz FSB 1M L2 (models A7S A7P A7D A7Y AAQ BSU BSF BTU BTF)	43C1967	N
2	Microprocessor, Core 2 Duo E2160 Processor 1.8GHz 800MHz FSB 1M L2 (models A6S A6P A6D A6Y B3A B3Q B3T B7A B7T BBM BGU BGF BHU BHF BJU BJB BKS BKP BKY BGS BGP BGL BGD BGY BGG BGM BGA BGT BGC BGB BGH BGV BGK BGR BGE BGJ EAU EAF EAS EAP EAL EAD EAY EAG EAM EAA EAQ EAT EAC EAB EAH EAV EAK EAR EAE EAJ E7U E7F)	43C1968	N
2	Microprocessor, Core 2 Duo E4400 Processor 2.0GHz 800MHz FSB 2M L2 (models A8S A8P A8P A8D A8A A1G A4U A4FAEU AEF B4A B4Q B4T BAM BMS BMY BNS BNP BNY BRU BRF)	43C2056	N
2	Microprocessor, Core 2 Duo E4500 Processor 2.2GHz 800MHz FSB 2M L2 (models B8A B8T)	43C6305	N
2	Microprocessor, Celeron 420 Processor 1.6GHz 800MHz FSB 512K L2 (models B2A B2Q B2T B6A B6T BCM)	43C3835	N

Item #	6075 FRUs	FRU#	CRU Tier
2	Microprocessor, Celeron 430 Processor 1.8GHz 800MHz FSB 512K L2 (models A6S A6P A6D A6Y)	43C1964	N
2	Microprocessor, Conroe E6600 Processor 2.40GHz 1066MHz FSB 4M L2 (models BVH BWG D1G DNU DNF DPU DPF)	41X5743	N
2	Microprocessor, Core 2 Duo E2220 Processor 2.4GHz 800MHz FSB 1M L2 65W (models)	45C1774	N
2	Microprocessor, Core 2 Duo E4700 Processor 2.6GHz 800MHz 2M 65W (models)	45R5786	N
2	Microprocessor, Core 2 Duo E6540 Processor 2.33GHz 1333MHz FSB 4M L2 (models CTO)	43C6307	N
2	Microprocessor, Q6600 KENTSFIELD G-0 8MB 4c LGA 2.4GHZ 1066FSB (modelsl CTO)	43C1695	N
2	Microprocessor, Q6700 KENTSFIELD G-0 8MB 4c LGA 2.66GHZ 1066FSB (modelsl CTO)	43C6309	N
2	Microprocessor, Core 2 Duo E4600 Processor 2.4GHz 800MHz FSB 2M L2 (models)	45C5282	N
2	Microprocessor, Core 2 Duo E2200 Processor 2.2GHz 800MHz FSB 1M L2 (models DSS DSD DSY DTS DTD DTY DUS DUD DUY DVS DVD DVY)	45C5349	N
2	Microprocessor, Core 2 Duo E8500 Processor 3.16GHz 1333MHz FSB 6M L2 (models CTO)	45C7735	N
2	Microprocessor, Core 2 Duo E8400 Processor 3.0GHz 1333MHz FSB 6M L2 (models D6M D6A D6Q D7M D7A D7Q D7T D7J D8M D8A D8Q D8T D8J D9K E4S E4D E4Y E5S E5D E5Y E6S E6D E6Y)	45C7736	N
2	Microprocessor, Core 2 Duo E8300 Processor 2.83GHz 1333MHz FSB 6M L2 (models)	45C7737	N
2	Microprocessor, Core 2 Duo E8200 Processor 2.66GHz 1333MHz FSB 6M L2 (models DJB DJH D2M D2A D2Q D2T D3M D3A D3Q D3T D2J D3J D4K D5M D5A D5Q DLU DLF DMU DMF DWD DWY E1S E1D E1Y E2S E2D E2Y E3S E3D E3Y)	45C7738	N
2	Microprocessor, Core2 Duo E8190 Processor 1333/2600MHz 6M L2 65W Non vPro (models)	45R2568	N
2	Microprocessor, Core 2 Duo E7200 Processor 2.53GHz 1066MHz 3M L2 65W (models FMH FNH FQM FQA FQQ FRM FRA FRQ FSM FSA FSQ FTM FTA FTQ FTK FTJ FUM FUA FUT FVM FVA FVQ FVT FVK FVJ FWM FWA FWQ FWT G1V FPV G2S G2P G2D G2Y G3S G3P FJC FKC FLC)	45R8337	N
2	Microprocessor, Dual Core E1400 Processor 2.0GHz 800MHz 512K L2 65W (models)	45R8339	N
2	Microprocessor, Dual Core E1200 Processor 1.6GHz 800MHz 512K (models)	45R8341	N
2	Microprocessor, Q9550 Yorkfield 2.83GHZ 1333FSB 12M 4/4 L2 95W C1 stepping (models)	45C7739	N
2	Microprocessor, Q9450 Yorkfield 2.66GHZ 1333FSB 12M 4/4 L2 95W C1 stepping (models)	45C7740	N
2	Microprocessor, Q9300 Yorkfield 2.50GHZ 1333FSB 6M 4/4 L2 95W M1 stepping (models)	45C7741	N
2	Microprocessor, Wolfdale Core 2 Duo E7300 Processor 2.66GHz 1066MHz FSB 3M L2 65W M0 Stepping (models)	46R1622	N
2	Microprocessor, Dual Core E1600 Processor 2.4GHz 800MHz 512K L2 65W M0 Stepping Level (models)	46R1655	N
2	Microprocessor, Core 2 Duo E2180 Processor 2.0GHz 800MHz FSB 1M L2 (models)	45C1773	N

Item #	6075 FRUs	FRU#	CRU Tier
3	Memory module, 512 MB PC2-5300 (667MHz) DDR2 SDRAM (models AAQ A6S A6P A6D A6Y B2A B2Q B2T B3A B3Q B3T DSS DSD DSY DTS DTD DTY DUS DUD DUY DVS DVD DVY DWS DWD DWY E1S E1D E1Y E2S E2D E2Y E3S E3D E3Y E4S E4D E4Y E5S E5D E5Y E6S E6D E6Y G1V FJC)	41X4255	2
3	Memory module, 1 GB PC2-5300 (667MHz) DDR2 SDRAM (models A2B A2H A7S A7P A7D A7Y A8S A8P A8D A8Y A9M A1G A4U A4F A5U A5F A5S A5P A5L A5D A5Y A5G A5M A5A A5Q A5T A5C A5B A5H A5V A5K A5R A5E A5J A3C AEU AEF AFU AFF AGU AGF AHU AHF B1B B1H B4A B4Q B4T B5A B5Q B5T B6A B6T B7A B7T B8A B8T B9A B9T BAM BBM BCM BDG BFG BGU BGF BHU BHF BJU BJF BKS BKP BKY BMS BMY BNS BNP BNY BPS BPY BQU BQF BQS BQP BQL BQD BQY BQG BQM BQA BQQ BQT BQC BQB BQH BQV BQK BQR BQE BQJ BGS BGP BGL BGD BGY BGG BGM BGA BGT BGC BGB BGH BGV BGK BGR BGE BGJ BRU BRF BSU BSF BTU BTF BVH DKB DJB DJH BUG D2M D2A D2Q D2T D3M D3A D3Q D3T D2J D3J D4K D5M D5A D5Q D6M D6A D6Q D7M D7A D7Q D7T D7J D8M D8A D8Q D8T D8J D9K DAM DAA DAQ DAT DAK DAJ DBM DBA DBQ DBT DBJ DCM DCA DCQ DCT DCJ DDM DDA DDQ DDT DDJ DEK DFA DFQ DFT DGG DHG BWG D1G E9U E9F E9S E9P E9L E9D E9Y E9G E9M E9A E9Q E9T E9C E9B E9H E9V E9K E9R E9E E9J EAU EAF EAS EAP EAL EAD EAY EAG EAM EAA EAQ EAT EAC EAB EAH EAV EAK EAR EAE EAJ E8U E8F E8S E8P E8L E8D E8Y E8G E8M E8A E8Q E8T E8C E8B E8H E8V E8K E8R E8E E8J E7U E7F DLU DLF DMU DMF DRC DQC FMH FNH FQM FQA FQQ FRM FRA FRQ FSM FSA FSQ FTM FTA FTQ FTK FTJ FUM FUA FUT FVM FVA FVQ FVT FVK FVJ FWM FWA FWQ FWT FVP G2S G2P G2D G2Y G3S G3P FJC FLC)	41X4256	2
3	Memory module, 2 GB PC2-5300 (667MHz) DDR2 SDRAM (models DNU DNF DPU DPF)	41X4257	2
3	Memory module, 1GB PC-6400 (800MHz) DDR2 SDRAM (models)	41X1080	2
4	DVD-ROM Drive - 16x/48x - SATA XP and Vista (models A2B A2H AAQ A8S A8P A8D A8Y A4U A4F A3C AHU AHF B2A B2Q B2T B3A B3Q B3T B5A B5Q B5T B6A B6T B7A B7T B9A B9T BAM BBM BCM BGU BGF BQU BQF BQS BQP BQL BQD BQY BQG BQM BQA BQQ BQT BQC BQB BQH BQV BQK BQR BQE BQJ BGS BGP BGL BGD BGY BGG BGM BGA BGT BGC BGB BGH BGV BGK BGR BGE BGJ BRU BRF BSU BSF D2M D2A D2Q D2T D3M D3A D3Q D3T D2J D3J D4K D5M D5A D5Q DAM DAA DAQ DAT DAK DAJ DBM DBA DBQ DBT DBJ E8U E8F E8S E8P E8L E8D E8Y E8G E8M E8A E8Q E8T E8C E8B E8H E8V E8K E8R E8E E8J E7U E7F DRC DQC)	41N3325	2
4	DVD-ROM/CD-RW Combo Drive - 48x/32x/48x/16x - SATA vista and XP (models A9M A5U A5F A5S A5P A5L A5D A5Y A5G A5M A5A A5Q A5T A5C A5B A5H A5V A5K A5R A5E A5J AGU AGF BDG BDG BKS BKP BKY BMS BMY BNS BNP BNY BPS BPY BHU BHF BTU BTF DSS DSD DSY DTS DTD DTY DUS DUD DUY DWS DWD DWY E1S E1D E1Y E2S E2D E2Y E4S E4D E4Y E5S E5D E5Y)	42Y9353	2
4	DVD-RW/CD-RW Rambo 8 - SATA VISTA AND XP (models A7S A7P A7D A7Y A1G AEU AEF AFU AFF B1B B1H B4A B4Q B4T B8A B8T BJU BJF BFG BVH DKB DJB DJH BUG D6M D6A D6Q D7M D7A D7Q D7T D7J D8M D8A D8Q D8T D8J D9K DAM DAA DAQ DAT DAK DAJ DBM DBA DBQ DBT DBJ DCM DCA DCQ DCT DCJ DDM DDA DDQ DDT DDJ DEK DFA DFQ DFT DGG DHG BWG D1G E9U E9F E9S E9P E9L E9D E9Y E9G E9M E9A E9Q E9T E9C E9B E9H E9V E9K E9R E9E E9J EAU EAF EAS EAP EAL EAD EAY EAG EAM EAA EAQ EAT EAC EAB EAH EAV EAK EAR EAE EAJ DLU DLF DMU DMF DNU DNF DPU DPF E3S E3D E3Y E6S E6D E6Y)	43C1042	2
5	Diskette drive, 3,5", 1.44MB, 3Mode,(w/bezel) (models A7S A7P A7D A7Y A3C BKS BKP BKY DTS DTD DTY DUS DUD DUY E1S E1D E1Y E2S E2D E2Y)	40Y9105	2
5	Diskette drive, 3,5", 1.44MB, 3Mode,(w/bezel) (models A7S A7P A7D A7Y A3C BKS BKP BKY DTS DTD DTY DUS DUD DUY E1S E1D E1Y E2S E2D E2Y)	40Y9107	2

Item #	6075 FRUs	FRU#	CRU Tier
6	Bezel assembly (all models)	41N8052	2
7	Power switch/LED assembly (all models)	41N5284	2
8	Speaker assembly, soldered terminals (all models)	39P5023	2
9	Front audio/USB assembly (all models)	41N8054	2
10	Hard disk drive, 80GB (7200RPM), Serial ATA (models AAQ A6S A6P A6D A6Y A7S A7P S7D S7Y A9M A4U A4F A5U A5F A5S A5P A5D A5L A5Y A5G A5M A5A A5Q A5T A5C A5B A5H A5V A5K A5E A5R A5J B2A B2Q B2T B3A B3Q B3T B6A B6T BAM BBM BCM BGU BGF BHU BHF BQU BQF BQS BQP BQL BQD BQY BQG BQM BQA BQQ BQT BQC BQB BQH BQV BQK BQR BQE BQJ BSU BSF BRU BRF BTU BTF DSS DSD DSY DTS DWS DWD DWY E2S E2D E2Y E5S E5D E5Y DRC DQC)	40Y9034	2
10	Hard disk drive, 160GB (7200RPM), Serial ATA (models A2B A2H A8S A8P A8D A8Y A3C B4A B4Q B4T B5A B5Q B5T B7A B7T B8A B8T B9A B9T BKS BKP BKY BMS BMY BNS BNP BNY BPS BPY BVH DJB DJH D2M D2A D2Q D2T D3M D3A D3Q D3T D2J D3J D4K D5M D5A D5Q DAM DAA DAQ DAT DAK DAJ DBM DBA DBQ DBT DBJ DGG DHG E9U E9F E9S E9P E9L E9D E9Y E9G E9M E9A E9Q E9T E9C E9B E9H E9V E9K E9R E9E E9J EAU EAF EAS EAP EAL EAD EAY EAG EAM EAA EAQ EAT EAC EAB EAH EAV EAK EAR EAE EAJ E8U E8F E8S E8P E8L E8D E8Y E8G E8M E8A E8Q E8T E8C E8B E8H E8V E8K E8R E8E E8J E7U E7F DLU DLF DMU DMF DNU DNF DPU DPF DTS DTD DTY DVS DVD DVY E1S E1D E1Y E3S E3D E3Y E4S E4D E4Y E6S E6D E6Y)	40Y9035	2
10	Hard disk drive, 250GB (7200RPM), Serial ATA (models A1G B1B B1H BDG BFG DKB BUG BWG D1G)	40Y9036	2
10	Hard disk drive, 320GB (7200RPM), Serial ATA (models BJU BJF D6M D6A D6Q D7M D7A D7Q D7T D7J D8M D8A D8Q D8T D8J D9K DCM DCA DCQ DCT DCJ DDM DDA DDQ DDT DDJ DEK DFA DFQ DFT)	87H4891	2
11	System board, Tamdhu II - Saturn non AMT(GA) support 45nm processor (Hard from 45R5312) (models A2B A2H AAQ A6S A6P A6D A6Y A7S A7P A7D A7Y A8S A8P A8D A8A A9M A1G A4U A4F A5U A5F A5S A5P A5L A5D A5Y A5G A5M A5A A5Q A5T A5C A5B A5H A5V A5K A5R A5E A5J A3C AEU AEF AFU AFF AGU AGF AHU AHF FMH FNH FQM FQA FQQ FRM FRA FRQ FSM FSA FSQ FTM FTA FTQ FTK FTJ FUM FUA FUT FVM FVA FVQ FVT FVK FVJ FWM FWA FWQ FWT G1V FPV G2S G2P G2D G2Y G3S G3P G3D G3Y FJC FKC FLC F3H EBG ECG EDM EDA EDQ EDT EDJ ELM ELA ELQ ELT ELK EKJ EMM EMA EMQ EMT EMK EMJ EGK EHM EHA EJM EJA EKM EKA EFM EFA EFQ EFT EFJ ENA ENQ ENT EPM EPA EPQ EPT EPJ EQM EQA EQQ EQT ERM ERA ERQ ERT ERJ ESA ESQ EST ETM ETA ETQ ETT ETK ETJ EUM EUA EUQ EUT EUK EUJ EVM EVA EVQ EVT EVJ EWG F1G F2G)	46R1842	N
11	System board, Tamdhu II - Saturn AMT(GA) support 45nm processor (Hard from 45R5313) (models)	46R1843	
12	Fan, Rear w/ grommets & Grill (all models)	41R6269	2

Item #	6075 FRUs	FRU#	CRU Tier
13	Power supply, 280 Watt ATX Power Supply - Standard, Robust (models B1B B1H B2A B2Q B2T B3A B3Q B3T B4A B4Q B4T B5A B5Q B5T B6A B6T B7A B7T B8A B8T B9A B9T BAM BBM BCM BDG BFG BGU BGF BHU BHF BJU BJF BKS BKP BKY BMS BMY BNS BNP BNY BPS BPY BQU BQF BQS BQP BQL BQD BQY BQG BQM BQA BQQ BQT BQC BQB BQH BQV BQK BQR BGS BGP BGL BGD BGY BGG BGM BGA BGT BGC BGB BGH BGV BGK BGR BGE BGJ BRU BRF BSU BSF BTU BTF BVH DKB DJB DJH BUG D2M D2A D2Q D2T D3M D3A D3Q D3T D4K D5M D5A D5Q D6M D6A D6Q D7M D7A D7Q D7T D8M D8A D8Q D8T D9K DAM DAA DAQ DAT DAK DBM DBA DBQ DBT DCM DCA DCQ DCT DDM DDA DDQ DDT DEK DFA DFQ DFT DGG DHG BWG D1G E9U E9F E9S E9P E9L E9D E9Y E9G E9M E9A E9Q E9T E9C E9B E9H E9V E9K E9R E9E EAU EAF EAS EAP EAL EAD EAY EAG EAM EAA EAQ EAT EAC EAB EAH EAV EAK EAR EAE E8U E8F E8S E8P E8L E8D E8Y E8G E8M E8A E8Q E8T E8C E8B E8H E8V E8K E8R E8E E7U E7F DLU DLF DMU DMF DNU DNF DPU DPF DSS DSD DSY DTS DTD DTY DUS DUD DUY DVS DVD DVY DWS DWD DWY E1S E1D E1Y E2S E2D E2Y E3S E3D E3Y E4S E4D E4Y E5S E5D E5Y E6S E6D E6Y DRC DQC FMH FNH FQM FQA FQQ FRM FRA FRQ FSM FSA FSQ FTM FTA FTQ FTK FUM FUA FUT FVM FVA FVQ FVT FVK FVA FVQ FVT FVK FWM FWA FWQ FWT G1V FPV G2S G2P G2D G2Y G3S G3P FJC FLC)	41A9684	2
13	Power supply, 310 Watt ATX Power Supply - Standard, Robust, JP (models BQJ BGJ D2J D3J D7J D8J DBJ DCJ DDJ DAJ E9J EAJ E8J E7J FMH FNH FQM FQA FQQ FRM FRA FRQ FSM FSA FSQ FTM FTA FTQ FTK FTJ FUM FUA FUT FVM FVA FVQ FVT FVK FVJ FWM FWA FWQ FWT G1V FPV G2S G2P G2D G2Y G3S G3P FJC FLC)	41A9726	2
13	Power supply, 280 Watt ATX Power Supply (80plus) - Standard, Robust, JP (models B1B B1H B2A B2Q B2T B3A B3Q B3T B4A B4Q B4T B5A B5Q B5T B6A B6T B7A B7T B8A B8T B9A B9T BAM BBM BCM BDG BFG BGU BGF BHU BHF BJU BJF BKS BKP BKY BMS BMY BNS BNP BNY BPS BPY BQU BQF BQS BQP BQL BQD BQY BQG BQM BQA BQQ BQT BQC BQB BQH BQV BQK BQR BQE BQJ)	41A9665	2

The FRUs listed in the following tables are not illustrated.

6075 FRUs	FRU#	CRU Tier
Shield, 5.25 EMC (all models)	41N8080	2
Shield, diskette drive EMC (all models)	41N8078	2
Cable, Diskette drive (RoHs) (all models)	41A7182	2
Kit, Miscellaneous hardware (all models)	41N8055	2
Retainer, Card Reader (all models)	41R2913	2
Optional HDD Bracket Asm, without 4Pin cable (all models)	41R6106	2
Intrusion Switch asm (all models)	41R6116	2
Bezel, without IBM mark (all models)	41R6243	2
Cover, left side (all models)	41N8050	1
Chassis without IBM mark (all models)	41R6241	N
Hard disk drive tray (all models)	41R6291	N
Fan, front (all models)	41R4791	2
SATA cable,457mm,1 latching for device,RoHS (all models)	43N9013	2
SATA cable,250mm,1 latching for device,RoHS (all models)	43N9012	2
Fru-Cable, Temp Sense Cable (460mm) (all models)	41R2509	2
FRU - Blank 5.25" Bezel (all models)	41N8077	2

6075 Keyboards (USB Preferred - without hub)	FRU#	CRU Tier
US English (models A2H AAQ A9M A1G A4U A5U A5M A5G A5A A5Q A5H A5R A5E AEU AFU AGU AHU BGU BHU BJU BQU BDG BFG BQG BAM BBM BCM BQM B2A B2Q B3A B3Q B3T B4A B4Q B5A B5Q B6A B7A B8A B9A BQA BQQ B1H BQH BQR BQE BGG BGM BGA BGQ BGH BGR BGE C1U C2U C3U BRU BSU BTU BVH DKB DJB DJH BUG D2M D2A D2Q D3M D3A D3Q D5M D5A D5Q D6M D6A D6Q D7M D7A D7Q D8M D8A D8Q DAM DAA DAQ DBM DBA DBQ DCM DCA DCQ DDM DDA DDQ DFA DFQ DGG DHG BWG D1G E9U E9G E9M E9A E9Q E9H E9R E9E EAU EAF EAG EAM EAA EAQ EAH EAR EAE E8U E8G E8M E8A E8Q E8R E8E E8H E7U DLU DMU DNU DPU FMH FNH FQM FQA FQQ FRM FRA FRQ FSM FSA FSQ FTM FTA FTQ FUM FUA FVM FVA FVQ FWM FWA FWQ)	41A5289	1
Arabic (models A1G A5G BDG BFG BJG BGG BUG DGG DHG BWG D1G E9G EAG E8G E7G)	41A5290	1
Belgian/French (models A1G A5G BDG BFG BJG BGG BUG DGG DHG BWG D1G E9G EAG E8G E7G)	41A5292	1
Belgian/UK (models A1G A5G BDG BFG BJG BGG BUG DGG DHG BWG D1G E9G EAG E8G E7G)	41A5293	1
Brazilian (models A6P A7P A8P A5P BNP BQP BKP BGP E9P EAP E8P E7P G2P G3P )	41A5294	1
Bulgarian (models A1G A5G BDG BFG BJG BGG BUG DGG DHG BWG D1G E9G EAG E8G E7G)	41A5295	1
Chinese/US (models A2B A5B A5V B1B BQB BQV BGB BGV )	41A5296	1
Czech (models A1G A5G BDG BFG BJG BGG BUG DGG DHG BWG D1G E9G EAG E8G E7G)	41A5297	1
Danish (models A1G A5G BDG BFG BJG BGG BUG DGG DHG BWG D1G E9G EAG E8G E7G)	41A5298	1
Dutch (models A1G A5G BDG BFG BJG BGG BUG DGG DHG BWG D1G E9G EAG E8G E7G)	41A5299	1
French (models A1G A5G BDG BFG BJG BGG BUG DGG DHG BWG D1G E9G EAG E8G E7G)	41A5300	1
French Canadian 445 (models A4F A5F AEF AGF AHF BGF BHF BJF BQF BGF BRF BSF BTF E9F EAF E8F E7F DLF DMF DNF DPF)	41A5301	1
French Canadian 58 (models A4F A5F AEF AGF AHF BGF BHF BJF BQF BGF BRF BSF BTF E9F EAF E8F E7F DLF DMF DNF DPF)	41A5302	1
German (models A1G A5G BDG BFG)	41A5303	1
Greek (models A1G A5G BDG BFG BJG BGG BUG DGG DHG BWG D1G E9G EAG E8G E7G)	41A5304	1
Greek/US (models A1G A5G BDG BFG BJG BGG BUG DGG DHG BWG D1G E9G EAG E8G E7G)	41A5305	1
Hebrew (models A1G A5G BDG BFG BJG BGG BUG DGG DHG BWG D1G E9G EAG E8G E7G)	41A5306	1
Hungarian (models A1G A5G BDG BFG BJG BGG BUG DGG DHG BWG D1G E9G EAG E8G E7G)	41A5307	1
Iceland (models A1G A5G BDG BFG BJG BGG BUG DGG DHG BWG D1G E9G EAG E8G E7G)	41A5308	1
Italian 141 (models A1G A5G BDG BFG BJG BGG BUG DGG DHG BWG D1G E9G EAG E8G E7G)	41A5309	1
Japanese (models A5J BQJ BGJ D2J D3J D7J D8J DAJ DBJ DCJ DDJ E9J EAJ E8J E7J FTJ FVJ )	41A5310	1
Korean (models A5K BQK BGK D4K D9K DAK DEK E9K EAK E8K E7K FTK FVK)	41A5311	1

6075 Keyboards (USB Preferred - without hub)	FRU#	CRU Tier
LA Spanish (models A6S A6D A6Y A7S A7D A7Y A8S A8D A8Y BKS BMS BNS BPS BQS BQD BKY BMY BNY BPY BQY BGS BGD BGY E9S E9P E9D E9Y EAS EAP EAD EAY E8S E8P E8D E8Y DSS DSD DSY DTS DTD DTY DUS DUD DUY DVS DVD DVY DWS DWD DWY E1S E1D E1Y E2S E2D E2Y E3S E3D E3Y E4S E4D E4Y E5S E5D E5Y E6S E6D E6Y)	41A5312	1
Norwegian (models A1G A5G BDG BFG BJG BGG BUG DGG DHG BWG D1G E9G EAG E8G E7G)	41A5313	1
Polish (models A1G A5G BDG BFG BJG BGG BUG DGG DHG BWG D1G E9G EAG E8G E7G)	41A5314	1
Portuguese (models A1G A5G BDG BFG BJG BGG BUG DGG DHG BWG D1G E9G EAG E8G E7G)	41A5315	1
Romanian 096 (models A1G A5G BDG BFG BJG BGG BUG DGG DHG BWG D1G E9G EAG E8G E7G)	41A5317	1
Romanian 446 (models A1G A5G BDG BFG BJG BGG BUG DGG DHG BWG D1G E9G EAG E8G E7G)	41A5316	1
Russian/Cyrillic (models A1G A5G BDG BFG BJG BGG BUG DGG DHG BWG D1G E9G EAG E8G E7G)	41A5318	1
Serbian/Cyrillic (models A1G A5G BDG BFG BJG BGG BUG DGG DHG BWG D1G E9G EAG E8G E7G)	41A5319	1
Slovak (models A1G A5G BDG BFG BJG BGG BUG DGG DHG BWG D1G E9G EAG E8G E7G)	41A5320	1
Spanish (models A1G A5G BDG BFG BJG BGG BUG DGG DHG BWG D1G E9G EAG E8G E7G)	41A5321	1
Swedish/Finn (models A1G A5G BDG BFG BJG BGG BUG DGG DHG BWG D1G E9G EAG E8G E7G)	41A5322	1
Swiss (models A1G A5G BDG BFG BJG BGG BUG DGG DHG BWG D1G E9G EAG E8G E7G)	41A5323	1
Thailand (models A5T B2T B3T B4T B5T B6T B7T B8T B9T BQT BGT D2T D3T D5T D6T D7T D8T DAT DBT DCT DDT DFT E9T EAT E8T E7T FUT FVT FWT )	41A5324	1
Turkish 440 (models A1G A5G BDG BFG BJG BGG BUG DGG DHG BWG D1G E9G EAG E8G E7G)	41A5325	1
Turkish 179 (models A1G A5G BDG BFG BJG BGG BUG DGG DHG BWG D1G E9G EAG E8G E7G)	41A5326	1
UK English (models A1G A5G BDG BFG BJG BGG BUG DGG DHG BWG D1G E9G EAG E8G E7G)	41A5327	1
US Euro (models A1G A5G BDG BFG BJG BGG BUG DGG DHG BWG D1G E9G EAG E8G E7G)	41A5328	1
Slovenian (models A1G A5G BDG BFG BJG BGG BUG DGG DHG BWG D1G E9G EAG E8G E7G)	41A5329	1

6075 Keyboards (Fingerprint Reader USB)	FRU#	CRU Tier
US English (models)	41A5248	1
Arabic (models)	41A5249	1
Arabic/French (models)	41A5250	1
Belgian/French (models)	41A5251	1
Belgian/UK (models)	41A5252	1
Brazil/Portuguese (models)	41A5253	1
Bulgarian (models)	41A5254	1



6075 Keyboards (Fingerprint Reader USB)	FRU#	CRU Tier
Chinese (models)	41A5255	1
Czech (models)	41A5256	1
Danish (models)	41A5257	1
Dutch (models)	41A5258	1
French (models)	41A5259	1
French Canadian 445 (models)	41A5260	1
French Canadian 58 (models)	41A5261	1
German (models)	41A5262	1
Greek (models)	41A5263	1
Greek/US (models)	41A5264	1
Hebrew (models)	41A5265	1
Hungarian (models)	41A5266	1
Iceland (models)	41A5267	1
Italian 141 (models)	41A5268	1
Japanese (models)	41A5269	1
Korean (models)	41A5270	1
LA Spanish (models)	41A5271	1
Norwegian (models)	41A5272	1
Polish (models)	41A5273	1
Portuguese (models)	41A5274	1
Romanian 096 (models)	41A5275	1
Romanian 446 (models)	41A5276	1
Russian/Cyrillic (models)	41A5277	1
Serbian/Cyrillic (models)	41A5278	1
Slovak (models)	41A5279	1
Spanish (models)	41A5280	1
Swedish/Finn (models)	41A5281	1
Swiss (models)	41A5282	1
Thailand (models)	41A5283	1
Turkish 440 (models)	41A5284	1
Turkish 179 (models)	41A5285	1
UK English (models)	41A5286	1
US Euro (models)	41A5287	1
Slovenian (models)	41A5288	1

6075 mice	FRU#	CRU Tier
Optical Wheel Mouse (400DPI, USB) (models A2B A2H AAQ A6S A6P A6D A6Y A7S A7P A7D A7Y A8S A8P A8D A8Y A9M A1G A4U A4F A5U A5F A5S A5P A5L A5D A5Y A5G A5M A5A A5Q A5T A5C A5B A5H A5V A5K A5R A5E A5J A3C AEU AEF AFU AFFAGU AGF AHU AHF B1B B1H B2A B2Q B2T B3A B3Q B3T B4A B4Q B4T B5A B5Q B5T B6A )	41U3013	1

6075 mice	FRU#	CRU Tier
Optical Wheel Mouse (400DPI, USB) (models A2B A2H AAQ A6S A6P A6D A6Y A7S A7P A7D A7Y A8S A8P A8D A8Y A9M A1G A4U A4F A5U A5F A5S A5P A5L A5D A5Y A5G A5M A5A A5Q A5T A5C A5B A5H A5V A5K A5R A5E A5J A3C AEU AEF AFU AFFAGU AGF AHU AHF B1B B1H B2A B2Q B2T B3A B3Q B3T B4A B4Q B4T B5A B5Q B5T B6A )	41U3030	1

6075 Adapters and miscellaneous FRUs	FRU#	CRU
IEEE 1394 Firewire Adapter (ATX) (models CTO)	41D2781	2
Speaker Power brick - US, Canada, LA low voltage, ASEAN (models A4U A5U AEU AFU AGU AHU A7D A8D A5D A5A BCU BJU BHU BKS BMS BNS BPS BQS B2A B3A B4A B5A B6A B7A B8A B9A BQA BRU BSU BTU E9U E9S E9A EAU EAS EAA E8U E8S E8A E7U E7S E7A DLU DMU DNU DPU FQA FRA FSA FTA FUA FVA FWA G2S G3S)	89P8571	1
Speaker Power brick - LA high voltage (non-APU) (models A6Y A7Y A8Y A5Y BQD BKY BMY BNY BPYBQY E9D EAD E8D E7D DSD DTD DUD DVD DWD E1D E2D E3D E4D E5D E6D G2D G2Y)	89P8575	1
Speaker Power brick - China, Thailand (models A5T A5C B2T B3T B4T B5T B6T B7T B8T B9T BQT BQC E9T EAT E8T E7T E9C AC E8C E7C DRC DQC FUT FVT FWT FJC FKC FLC )	89P8581	1
Speaker Power brick - Japan (models A5E A5J BQE BQJ D2J D3J D7J D8J DAJ DBJ DCJ DDJ E9J EAJ E8J E7J FTJ FVJ )	89P8577	1
Speaker Power brick - Brazil (models A6P A7P A8P A5P BKP BMP BNP BPP BQP)	89P8583	1
Speaker Power brick - ANZ (models A9M A5M BAM BBM BCM BQM DKM DJM D7M D8M DAM DBM DCM DDM E9M EAM E8M E7M FQM FRM FSM FTM FUM FVM FWM )	89P8579	1
Speaker Brick - Korea (models A5K A5R BQK BQR D4K D9K DAK E9K EAK E8K E7K E9E EAE E8E E7E FTK FVK )	41A4903	1
Speaker Power brick - Hong Kong, Malaysia, Singapore, UK, Brunei (models A5B A2H A5H B1B B1H BQB BQH BVH DKB DJB DJH E9B E9H EAB EAH E8B E8H E7B E7H FMH FNH)	89P8573	1
Speaker Brick - Taiwan (models A5V BQV E9V EAV E7V E8V G1V FPV )	41A4905	1
Speaker Power brick - India, South Africa (models A5Q AAQ B2Q B3Q B4Q B5Q BQQ D2Q D3Q D5Q D6Q D7Q D8Q DAQ DBQ DCQ DDQ DFQE9Q EAQ E7Q E8Q FQQ FRQ FSQ FTQ FVQ FWQ)	89P8585	1
ATI HD 2600XT(RV630XT) 512MB 128BIT ATX, PCIe x16, Dual DVI-I/S-Video (models CTO)	43C0261	2
New Casper DVI-D card,full height, support HDCP (models DAM DAA DAQ DAT DAK DAJ DBM DBA DBQ DBT DBJ DCM DCA DCQ DCT DCJ DDM DDA DDQ DDT DDJ DEK DGG)	43C0258	2
ATI RV610 256M LP, PCIe x16, DMS59/S-Video (models)	46R4160	2
ATI RV610 128M ATX, PCIe x16, DMS59/S-Video (models)	46R4159	2
DVI-VGA Dongle (models CTO)	45C7816	1
USB2.0 MEMORY CARDREADER,6X2,ROHS (models CTO)	45R1883	2
ODD/FDD/Cardreader Retainers (all models)	43N9351	2

6075 Power Cords	FRU#	CRU Tier
Line Cord - US (models A6S A6D A7S A7D A8S A8D A4U A4F A5U A5F A5A A5T ABU ABF AEU AEF AFF AFU AGU AGF AHF AHU BGU BGF BHU BHF BJU BJF BKS BMS BPS BQS BQD BQL B2A B3A B4A B5A B6A B7A B8A B9A BQA B2T B3T B4T B5T B6T B7T B8T B9T BQT BRU BRF BSU BSF BTU BTF E9U EAU E8U E7U DLU DMU DNU DPU E9F EAF E8F E7F DLF DMF DNF DPF DSS DTS DUS DVS DWS E1S E2S E3S E4S E5S E6S E9D EAD E8D E7D DSD DTD DUD DVD DWD E1D E2D E3D E4D E9L EAL E7L E8L D2A D3A D5A D6A D7A D8A DAA DBA DCA DDA E9A EAA E8A E7A D2T D3T D5T D6T D7T D8T DAT DBT DCT DDT E9T EAT E8T E7T FQA FRA FSA FTA FUA FVA FWA FUT FVT FWT FJC FKC FLC G2S G3S EDA ELA EMA EFA ENA EPA EQA ERA ESA ETA EUA EVA EDT ELT EMT EFT ENT EPT EQT ERT EST ETT EUT EVT)	41R3184	1
Line Cord - US (models A6S A6D A7S A7D A8S A8D A4U A4F A5U A5F A5A A5T ABU ABF AEU AEF AFF AFU AGU AGF AHF AHU BGU BGF BHU BHF BJU BJF BKS BMS BPS BQS BQD BQL B2A B3A B4A B5A B6A B7A B8A B9A BQA B2T B3T B4T B5T B6T B7T B8T B9T BQT BRU BRF BSU BSF BTU BTF E9U EAU E8U E7U DLU DMU DNU DPU E9F EAF E8F E7F DLF DMF DNF DPF DSS DTS DUS DVS DWS E1S E2S E3S E4S E5S E6S E9D EAD E8D E7D DSD DTD DUD DVD DWD E1D E2D E3D E4D E9L EAL E7L E8L D2A D3A D5A D6A D7A D8A DAA DBA DCA DDA E9A EAA E8A E7A D2T D3T D5T D6T D7T D8T DAT DBT DCT DDT E9T EAT E8T E7T FQA FRA FSA FTA FUA FVA FWA FUT FVT FWT FJC FKC FLC G2S G3S EDA ELA EMA EFA ENA EPA EQA ERA ESA ETA EUA EVA EDT ELT EMT EFT ENT EPT EQT ERT EST ETT EUT EVT)	41R3185	1
Line Cord - China (models A5C A3C BQC E9C EAC E8C E7C DRC DQC FJC FKC FLC)	41R3256	1
Line Cord - China (models A5C A3C BQC E9C EAC E8C E7C DRC DQC FJC FKC FLC)	41R3257	1
Line Cord - Brazil (models A6P A7P A8P A5P BKP BNP BQP E9P EAP E8P E7P DSP DTP DU PDVP DWP E1P E2P E3P E4P E5P E6P G2P G3P)	41R3270	1
Line Cord - Brazil (models A6P A7P A8P A5P BKP BNP BQP E9P EAP E8P E7P DSP DTP DU PDVP DWP E1P E2P E3P E4P E5P E6P G2P G3P)	41R3271	1
Line Cord - LA High Volt (APU) (models A6Y A7Y A8Y A5L BQL BKY BMY BNY BPY BQY E9Y E9L EAY EAL E8Y E8L E7Y E7L DSY DTY DUY DVY DWY E1Y E2Y E3Y E4Y E5Y E6Y)	41R3176	1
Line Cord - LA High Volt (APU) (models A6Y A7Y A8Y A5L BQL BKY BMY BNY BPY BQY E9Y E9L EAY EAL E8Y E8L E7Y E7L DSY DTY DUY DVY DWY E1Y E2Y E3Y E4Y E5Y E6Y)	41R3177	1
Line Cord - Korea (models A5K A5R BQK BQR D4K D9K DAK E9K EAK E8K E7K E9E EAE E8E E7E FTK FVK ELK EMK EGK ETK EUK)	41R3260	1
Line Cord - Korea (models A5K A5R BQK BQR D4K D9K DAK E9K EAK E8K E7K E9E EAE E8E E7E FTK FVK ELK EMK EGK ETK EUK)	41R3261	1
Line Cord - UK, Ireland, Singapore, Malaysia, Brunei (models A1G A5G A5A BDG BFG B2A B3A B4A B5A B6A B7A B8A B9A BQA EAA E7A E8A E9A FQA FRA FSA FTA FUA FVA FWA EDA ELA EMA EFA ENA EPA EQA ERA ESA ETA EUA EVA EBG ECG EWG F1G F2G)	41R3224	1
Line Cord - UK, Ireland, Singapore, Malaysia, Brunei (models A1G A5G A5A BDG BFG B2A B3A B4A B5A B6A B7A B8A B9A BQA EAA E7A E8A E9A FQA FRA FSA FTA FUA FVA FWA EDA ELA EMA EFA ENA EPA EQA ERA ESA ETA EUA EVA EBG ECG EWG F1G F2G)	41R3225	1
Line Cord - Taiwan (models A5V BQV E9V EAV E7V E8V E9V EAV E7V E8V G1V FPV )	41R3278	1
Line Cord - Taiwan (models A5V BQV E9V EAV E7V E8V E9V EAV E7V E8V G1V FPV )	41R3279	1
Line Cord - Italy (models A6S A6Y A7S A7Y A8S A8Y A1G A5S A5L A5G BKS BMS BPS BQS BKY BMY BNY BPY BQY BQL BDG BFG DSS DTS DUS DVS DWS E1S E2S E3S E4S E5S E6S E9Y E9L EAY EAL E8Y E8L E7Y E7L DSY DTY DUY DVY DWY E1Y E2Y E3Y E4Y E5Y E6Y BUG DGG DHG BWG D1G E9G EAG E7G E8G G2S G3S)	41R3232	1

6075 Power Cords	FRU#	CRU Tier
Line Cord - Italy (models A6S A6Y A7S A7Y A8S A8Y A1G A5S A5L A5G BKS BMS BPS BQS BKY BMY BNY BPY BQY BQL BDG BFG DSS DTS DUS DVS DWS E1S E2S E3S E4S E5S E6S E9Y E9L EAY EAL E8Y E8L E7Y E7L DSY DTY DUY DVY DWY E1Y E2Y E3Y E4Y E5Y E6Y BUG DGG DHG BWG D1G E9G EAG E7G E8G G2S G3S)	41R3233	1
Line Cord - Indonesia, Laos, Cambodia, and Vietnam (models A5A B2A B3A B4A B5A B6A B7A B8A B9A BQA EAA E9A E7A E8A FQA FRA FSA FTA FUA FVA FWA EDA ELA EMA EFA ENA EPA EQA ERA ESA ETA EUA EVA )	41R3208	1
Line Cord - Indonesia, Laos, Cambodia, and Vietnam (models A5A B2A B3A B4A B5A B6A B7A B8A B9A BQA EAA E9A E7A E8A FQA FRA FSA FTA FUA FVA FWA EDA ELA EMA EFA ENA EPA EQA ERA ESA ETA EUA EVA )	41R3209	1
Line Cord - Denmark (models A1G A5G BDG BFG BUG DGG DHG BWG D1G E9G EAG E7G E8G EBG ECG EWG F1G F2G)	41R3212	1
Line Cord - Denmark (models A1G A5G BDG BFG BUG DGG DHG BWG D1G E9G EAG E7G E8G EBG ECG EWG F1G F2G)	41R3213	1
Line Cord - Switzerland (models A1G A5G BDG BFG BUG DGG DHG BWG D1G E9G EAG E7G E8G EBG ECG EWG F1G F2G)	41R3228	1
Line Cord - Switzerland (models A1G A5G BDG BFG BUG DGG DHG BWG D1G E9G EAG E7G E8G EBG ECG EWG F1G F2G)	41R3229	1
Line Cord - Israel (models A1G A5G BDG BFG BUG DGG DHG BWG D1G E9G EAG E7G E8G EBG ECG EWG F1G F2G)	41R3236	1
Line Cord - Israel (models A1G A5G BDG BFG BUG DGG DHG BWG D1G E9G EAG E7G E8G EBG ECG EWG F1G F2G)	41R3237	1
Line Cord - South Africa (models A9M A1G A5G A5M A5A BDG BFG BAM BBM BCM BQM B2A B3A B4A B5A B6A B7A B8A B9A BQA BUG DGG DHG BWG D1G E9G EAG E7G E8G D2M D3M D7M D8M DAM DBM DCM DDM E9M EAM E8M E7M D2A D3A D5A D6A D7A D8A DAA DBA DCA DDA E9A EAA E8A E7A FQM FRM FSM FTM FUM FVM FWM FQA FRA FSA FTA FUA FVA FWA EDA ELA EMA EFA ENA EPA EQA ERA ESA ETA EUA EVA EDM ELM EMM EHM EJM EKM EFM ENM EPM EQM ERM ETM EUM EVM EBG ECG EWG F1G F2G)	41R3220	1
Line Cord - South Africa (models A9M A1G A5G A5M A5A BDG BFG BAM BBM BCM BQM B2A B3A B4A B5A B6A B7A B8A B9A BQA BUG DGG DHG BWG D1G E9G EAG E7G E8G D2M D3M D7M D8M DAM DBM DCM DDM E9M EAM E8M E7M D2A D3A D5A D6A D7A D8A DAA DBA DCA DDA E9A EAA E8A E7A FQM FRM FSM FTM FUM FVM FWM FQA FRA FSA FTA FUA FVA FWA EDA ELA EMA EFA ENA EPA EQA ERA ESA ETA EUA EVA EDM ELM EMM EHM EJM EKM EFM ENM EPM EQM ERM ETM EUM EVM EBG ECG EWG F1G F2G)	41R3221	1
Line Cord - India (models AAQ A5Q B2Q B3Q B4Q B5Q BQQ B2Q B3Q B4Q B5Q BQQ D2Q D3Q D5Q D6Q D7Q D8Q DAQ DBQ DCQ DDQ DFQE9Q EAQ E7Q E8Q FQQ FRQ FSQ FTQ FVQ FWQ EDQ ELQ EMQ EFQ ENQ EPQ ERQ ESQ ETQ EUQ EVQ)	41R3341	1
Line Cord - India (models AAQ A5Q B2Q B3Q B4Q B5Q BQQ B2Q B3Q B4Q B5Q BQQ D2Q D3Q D5Q D6Q D7Q D8Q DAQ DBQ DCQ DDQ DFQE9Q EAQ E7Q E8Q FQQ FRQ FSQ FTQ FVQ FWQ EDQ ELQ EMQ EFQ ENQ EPQ ERQ ESQ ETQ EUQ EVQ)	41R3175	1
Line Cord - Japan (models A5E A5J BQE BQJ D2J D3J D7J D8J DAJ DB J DCJ DDJ E9J EAJ E8J E7J FTJ FVJ EDJ EKJ EMJ EFJ EPJ ERJ ETJ EUJ EVJ)	41R3248	1
Line Cord - Japan (models A5E A5J BQE BQJ D2J D3J D7J D8J DAJ DB J DCJ DDJ E9J EAJ E8J E7J FTJ FVJ EDJ EKJ EMJ EFJ EPJ ERJ ETJ EUJ EVJ)	41R3249	1
Line Cord - ANZ (models A9M A5M BAM BBM BCM BQM D2M D3M D7M D8M DAM DBM DCM DDM E9M EAM E8M E7M FQM FRM FSM FTM FUM FVM FWM EDM ELM EMM EHM EJM EKM EFM ENM EPM EQM ERM ETM EUM EVM)	41R3196	1
Line Cord - ANZ (models A9M A5M BAM BBM BCM BQM D2M D3M D7M D8M DAM DBM DCM DDM E9M EAM E8M E7M FQM FRM FSM FTM FUM FVM FWM EDM ELM EMM EHM EJM EKM EFM ENM EPM EQM ERM ETM EUM EVM)	41R3197	1

6075 Power Cords	FRU#	CRU Tier
Line Cord - Hong Kong (models A2B A2H A5B A5H B1B B1H BQB BQH BVH DKB DJB DJH E9B E9H EAB EAH E8B E8H E7B E7H FMH FNH F3H)	41R3224	1
Line Cord - Hong Kong (models A2B A2H A5B A5H B1B B1H BQB BQH BVH DKB DJB DJH E9B E9H EAB EAH E8B E8H E7B E7H FMH FNH F3H)	41R3225	1

6075 Windows XP Home Recovery CDs	FRU#	CRU
English (models CTO)	45R6005	1
French (models CTO)	45R6006	1
German (models CTO)	45R6007	1
Spanish (models CTO)	45R6008	1
Brazil (models CTO)	45R6009	1
Italian (models)	45R6010	1
Japanese (models)	45R6011	1
Norwegian (models CTO)	45R6012	1
Swedish (models CTO)	45R6013	1
Danish (models CTO)	45R6014	1
Dutch (models CTO)	45R6015	1
Czech (models CTO)	45R6016	1
Finnish (models CTO)	45R6017	1
Hebrew (models CTO)	45R6018	1
Polish (models CTO)	45R6019	1
Arabic (models CTO)	45R6020	1
Russian (models CTO)	45R6021	1
Turkish (models CTO)	45R6022	1
Hungarian (models CTO)	45R6023	1
Greek (models CTO)	45R6024	1
Simplified Chinese (models CTO)	45R6025	1
Taiwan (models CTO)	45R6026	1
HongKong (models CTO)	45R6027	1
Korea (models CTO)	45R6028	1
Russian English (models CTO)	45R6029	1
Portuguese (models CTO)	45R6030	1

6075 Windows XP Pro Recovery CDs	FRU#	CRU
English (models B2A B2Q B3A B3Q B4A B4Q B5A B5Q BAM BBM BCM A2H A9M AAQ A1G A4U A5U A5G A5M A5A A5Q A5H A5R A5E AEU AFU AGU AHU B1H BGU BHU BJU BQU BDG BFG BQG BGU BHU BJU BFG BRU BSU BTU D3M D3A D3Q D7M D7A D7Q DAM DAA DAQ DDM DDA DDQ DGG BWG E8U E8G E8M E8Q E8H E8R E8E E7U E7G E7M E7A E7Q E7H E7R E7E DMU DNU)	45R5979	1
French (models A4F A5F A1G A5G AEF AGF AHF BDG BFG BQG BGF BJF BHF BFG BRF BSF BTF DGG BWG E8F E7G E7F DMF DNF)	45R5980	1
German (models A1G A5G BDG BFG BQG BFG)	45R5981	1
Spanish (models A1G A5G BDG BFG BQG BFG )	45R5982	1

<b>6075 Windows XP Pro Recovery CDs</b>	<b>FRU#</b>	<b>CRU</b>
Brazil (models A7P A8P A5P A6P A7P BQP E8P E7P)	45R5983	1
Italian (models A1G A5G BDG BFG BQG BFG)	45R5984	1
Japanese (models A5J BQJ D3J D7J DAJ DDJ E8J E7J )	45R5985	1
Norwegian (models A1G A5G BDG BFG BQG BFG)	45R5986	1
Swedish (models A1G A5G BDG BFG BQG BFG)	45R5987	1
Danish (models A1G A5G BDG BFG BQG BFG)	45R5988	1
Dutch (models A1G A5G BDG BFG BQG BFG)	45R5989	1
Czech (models A1G A5G BDG BFG BQG BFG)	45R5990	1
Finnish (models A1G A5G BDG BFG BQG BFG)	45R5991	1
Hebrew (models A1G A5G BDG BFG BQG BFG)	45R5992	1
Polish (models A1G A5G BDG BFG BQG BFG)	45R5993	1
Arabic (models A1G A5G BDG BFG BQG BFG)	45R5994	1
Russian (models A1G A5G BDG BFG BQG BFG)	45R5995	1
Turkish (models A1G A5G BDG BFG BQG BFGA5G A6G A7G)	45R5996	1
Hungarian (models A1G A5G BDG BFG BQG BFG)	45R5997	1
Greek (models A1G A5G BDG BFG BQG BFG)	45R5998	1
Simplified Chinese (models A3C BQC E8C E7C)	45R5999	1
Taiwan (models A5V BQV E8V E7V)	45R6000	1
HongKong (models A2B A5B B1B BQB E8B E7B)	45R6001	1
Korea (models A5K BQK DAK E8K E7K)	45R6002	1
Russian English (models A1G A5G BDG BFG BQG BFG)	45R6003	1
Portuguese (models A1G A5G BDG BFG BQG BFG)	45R6004	1
MUL 1 - EN, NL, FR, GR, IT (models A1G A5G BDG BFG BQG BFG)	45R5977	1
MUL 2 - EN, DK, FI, NO, SV (models A1G A5G BDG BFG BQG BFG)	45R5978	1

<b>6075 Vista Home Basic 32 Recovery DVDs</b>	<b>FRU#</b>	<b>CRU</b>
English (models B6A B7A B8A B9A DHG D1G)	46R7098	1
Russian English (models DHG D1G)	46R7099	1
French (models DHG D1G)	46R7100	1
German (models DHG D1G)	46R7101	1
Spanish (models DHG D1G)	46R7102	1
Brazilian (models CTO)	46R7103	1
Italian (models CTO)	46R7104	1
Japanese (models)	46R7105	1
Norwegian (models DHG D1G)	46R7106	1
Swedish (models DHG D1G)	46R1086	1
Danish (models DHG D1G)	46R7107	1
Dutch (models DHG D1G)	46R1088	1
Czech (models DHG D1G)	46R1089	1
Finnish (models DHG D1G)	46R1090	1
Polish (models DHG D1G)	46R1091	1

6075 Vista Home Basic 32 Recovery DVDs	FRU#	CRU
Russian (models DHG D1G)	46R7108	1
Turkish (models DHG D1G)	46R1093	1
Hungarian (models DHG D1G)	46R1094	1
Greek (models DHG D1G)	46R1095	1
Simplified Chinese (models CTO)	46R7109	1
Taiwan (models CTO)	46R7110	1
HongKong (models CTO)	46R7111	1
Korea (models D4K D9K EGK)	46R1099	1
Slovenian (models DHG D1G)	46R1100	1
Hebrew (models DHG D1G)	46R1101	1
Portuguese (models DHG D1G)	46R1102	1
Arabic Localized (models CTO)	46R1103	1
Slovakia (models DHG D1G)	46R1104	1

6075 Vista Business 32 Recovery DVDs	FRU#	CRU
English (models A2H A9M AAQ A1G A4U A5U A5G A5M A5A A5Q A5H A5R A5E AEU AFU AGU AHU B1H BGU BHU BJU BQU BDG BFG BQG BQU BHU BJU BVH DJH BUG D2M D2A D2Q D8M D8A D8Q E9U E9G E9A E9Q E9H E9R E9E EAU EAG EAM EAQ EAA EAR EAE DLU DPU FMH FNH FSM FSA FSQ FTM FTA FTQ FUM FUA FVM FVA FVQ FWM FWA FWQ ELM ELA ELQ EFM EFA EFQ ERM ERA ERQ EUM EUA EUQ EVM EVA EVQ EWG F1G F2G)	46R7070	1
Russian English (models A1G A5G BDG BFG BQG BUG EAG E9G EWG F1G F2G)	46R7071	1
French (models A4F A5F A1G A5G AEF AGF AHF BDG BFG BQG BGF BJF BHF BUG EAG E8G DLF DPF EWG F1G F2G)	46R7072	1
German (models A1G A5G BDG BFG BQG BUG EAG E9G DUS DUD DUY DVS DVD DVY E2S E2D E2Y E3S E3D E3Y E5S E5D E5Y E6S E6D E6Y EWG F1G F2G)	46R7073	1
Spanish (models G2S G3S G2D G2Y)	46R7074	1
Brazilian (models A8P A5P A6P A7P BQP E9P EAP G3P G2P)	46R7075	1
Italian (models A1G A5G BDG BFG BQG BUG EAG E9G EWG F1G F2G)	46R7076	1
Japanese (models FTJ FVJ ELJ EFJ ERJ EUJ EVJ)	46R7077	1
Norwegian (models A1G A5G BDG BFG BQG BUG EAG E9G EWG F1G F2G)	46R7078	1
Swedish (models A1G A5G BDG BFG BQG BUG EAG E9G EWG F1G F2G)	46R1028	1
Danish (models A1G A5G BDG BFG BQG BUG EAG E9G EWG F1G F2G )	46R7079	1
Dutch (models A1G A5G BDG BFG BQG BUG EAG E9G EWG F1G F2G)	46R1030	1
Czech (models A1G A5G BDG BFG BQG BUG EAG E9G EWG F1G F2G)	46R1031	1
Finnish (models A1G A5G BDG BFG BQG BUG EAG E9G EWG F1G F2G)	46R1032	1
Polish (models A1G A5G BDG BFG BQG BUG EAG E9G EWG F1G F2G)	46R1033	1
Russian (models A1G A5G BDG BFG BQG BUG EAG E9G EWG F1G F2G)	46R7080	1
Turkish (models A1G A5G BDG BFG BQG BUG EAG E9G EWG F1G F2G)	46R1035	1
Hungarian (models A1G A5G BDG BFG BQG BUG EAG E9G EWG F1G F2G)	46R1036	1
Greek (models A1G A5G BDG BFG BQG BUG EAG E9G EWG F1G F2G)	46R1037	1
Simplified Chinese (models DRC DQC A3C BQC EAC E9C)	46R7081	1
Traditional Chinese (models DKB DJB EAB E9B A5V BQV E9V EAV G1V FPV )	46R7082	1

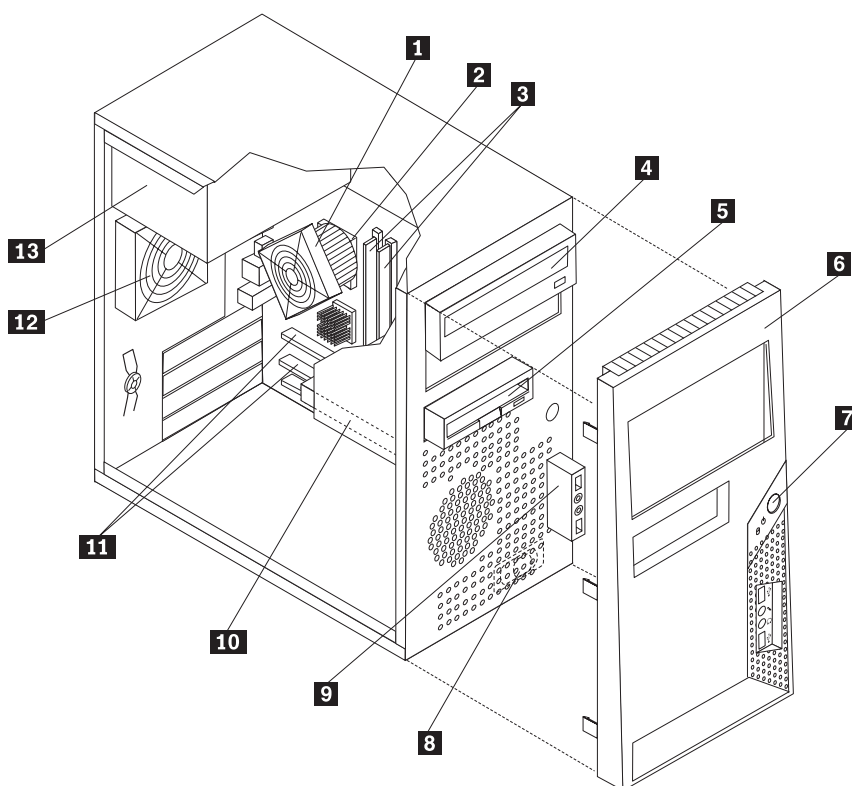
<b>6075 Vista Business 32 Recovery DVDs</b>	<b>FRU#</b>	<b>CRU</b>
Traditional Chinese (models DKB DJB EAB E9B A5V BQV E9V EAV G1V FPV )	46R7083	1
Korean (models A5K BQK E9K EAK FTK FVK ELK EUK)	46R1041	1
Slovenian (models A1G A5G BDG BFG BQG BUG EAG E9G EWG F1G F2G )	46R1042	1
Romanian (models A1G A5G BDG BFG BQG BUG EAG E9G EWG F1G F2G )	46R1043	1
Portuguese (models A1G A5G BDG BFG BQG BUG EAG E9G EWG F1G F2G )	46R1044	1
Sebian-Latin (models)	46R1045	1
Slovakian (models A1G A5G BDG BFG BQG BUG EAG E9G EWG F1G F2G )	46R1046	1
Arabic Localized (models)	46R1047	1
Hebrew (models A1G A5G BDG BFG BQG BUG EAG E9G EWG F1G F2G )	46R1048	1

<b>6075 Vista Ultimate 32 Recovery DVDs</b>	<b>FRU#</b>	<b>CRU</b>
English (models)	45R5949	1
Russian English (models)	45R5950	1
French (models)	45R5951	1
German (models)	45R5952	1
Spanish (models)	45R5953	1
Brazilian (models)	45R5954	1
Italian (models)	45R5955	1
Japanese (models)	45R5956	1
Norwegian (models)	45R5957	1
Swedish (models)	45R5958	1
Danish (models)	45R5959	1
Dutch (models)	45R5960	1
Czech (models)	45R5961	1
Finnish (models)	45R5962	1
Polish (models)	45R5963	1
Russian (models)	45R5964	1
Turkish (models)	45R5965	1
Hungarian (models)	45R5966	1
Greek (models)	45R5967	1
Simplified Chinese (models)	45R5968	1
Traditional Chinese (models)	45R5969	1
Traditional Chinese (models)	45R5970	1
Korean (models)	45R5971	1
Slovenian (models)	45R5972	1
Hebrew (models)	45R5973	1
Portuguese (models)	45R5974	1
Slovakian (models)	45R5975	1
Arabic Localized (models)	45R5976	1



6075 XP Pro Recovery DVDs	FRU#	CRU
English (models)	45R8811	1
French (models)	45R8812	1
German (models)	45R8813	1
Spanish (models)	45R8814	1
Brazil (models)	45R8815	1
Italian (models)	45R8816	1
Japanese (models)	45R8817	1
Norwegian (models)	45R8818	1
Swedish (models)	45R8819	1
Danish (models)	45R8820	1
Dutch (models)	45R8821	1
Czech (models)	45R8822	1
Finnish (models)	45R8823	1
Hebrew (models)	45R8824	1
Polish (models)	45R8825	1
Arabic (models)	45R8826	1
Russian (models)	45R8827	1
Turkish (models)	45R8828	1
Hungarian (models)	45R8829	1
Greek (models)	45R8830	1
Simplified Chinese (models)	45R8831	1
Taiwan (models)	45R8832	1
HongKong (models)	45R8833	1
Korea (models)	45R8834	1
Russian English (models)	45R8835	1
Portuguese (models)	45R8836	1
Slovenian (models)	45R8837	1

## Machine Type 6081



Item #	6081 FRUs	FRU#	CRU Tier
1	Intel 65W/95w heatsink (all models)	43N9309	2
2	Microprocessor, Core 2 Duo E6550 Processor 2.33GHz 1333MHz FSB 4M L2 (models A1U A1F A1S A1P A1L A1D A1Y A1G A1M A1A A1Q A1T A1C A1B A1H A1V A1K A1R A1E A1J )	43C3833	N
2	Microprocessor, Core 2 Duo E2220 Processor 2.4GHz 800MHz FSB 1M L2 65W (models)	45C1774	N
2	Microprocessor, Core 2 Duo E4700 Processor 2.6GHz 800MHz 2M 65W (models)	45R5786	N
2	Microprocessor, Core 2 Duo E6540 Processor 2.33GHz 1333MHz FSB 4M L2 (models CTO)	43C6307	N
2	Microprocessor, Q6600 KENTSFIELD G-0 8MB 4c LGA 2.4GHZ 1066FSB G-0 Stepping Level, 95W (models CTO)	43C1695	N
2	Microprocessor, Q6700 KENTSFIELD G-0 8MB 4c LGA G-0 Stepping Level, 95W 2.66GHZ 1066FSB (models CTO)	43C6309	N
2	Microprocessor, Core 2 Duo E4600 Processor 2.4GHz 800MHz FSB 2M L2 M-0 Stepping Level, Mainstream/Value FMB (models)	45C5282	N
2	Microprocessor, Core 2 Duo E2200 Processor 2.2GHz 800MHz FSB 1M L2 M-0 Stepping Level, Mainstream/Value FMB (models)	45C5349	N
2	Microprocessor, Core 2 Duo E8500 Processor 3.16GHz 1333MHz FSB 6M L2 65W (models CTO)	45C7735	N
2	Microprocessor, Core 2 Duo E8400 Processor 3.0GHz 1333MHz FSB 6M L2 65W (models)	45C7736	N
2	Microprocessor, Core 2 Duo E8300 Processor 2.83GHz 1333MHz FSB 6M L2 65W (models)	45C7737	N

Item #	6081 FRUs	FRU#	CRU Tier
2	Microprocessor, Core 2 Duo E8200 Processor 2.66GHz 1333MHz FSB 6M L2 65W (models)	45C7738	N
2	Microprocessor, Core2 Duo E8190 Processor 1333/2600MHz 6M L2 65W Non vPro (models)	45R2568	N
2	Microprocessor, Core 2 Duo E7200 Processor 2.53GHz 1066MHz 3M L2 65W (models)	45R8337	N
2	Microprocessor, Dual Core E1400 Processor 2.0GHz 800MHz 512K L2 65W (models)	45R8339	N
2	Microprocessor, Dual Core E1200 Processor 1.6GHz 800MHz 512K (models)	45R8341	N
2	Microprocessor, Wolfdale Core 2 Duo E7300 Processor 2.66GHz 1066MHz FSB 3M L2 65W M0 Stepping (models)	46R1622	N
2	Microprocessor, Dual Core E1600 Processor 2.4GHz 800MHz 512K L2 65W M0 Stepping Level (models)	46R1655	N
2	Microprocessor, Core 2 Duo E2180 Processor 2.0GHz 800MHz FSB 1M L2 (models)	45C1773	N
3	Memory module, 1 GB PC2-5300 (667MHz) DDR2 SDRAM (models A1U A1F A1S A1P A1L A1D A1Y A1G A1M A1A A1Q A1T A1C A1B A1H A1V A1K A1R A1E A1J)	41X4256	2
4	DVD-ROM/CD-RW Combo Drive - 48x/32x/48x/16x - SATA vista and XP (models A1U A1F A1S A1P A1L A1D A1Y A1G A1M A1A A1Q A1T A1C A1B A1H A1V A1K A1R A1E A1J )	42Y9353	2
5	Diskette drive, 3,5", 1.44MB, 3Mode,(w/bezel) (models)	40Y9105	2
5	Diskette drive, 3,5", 1.44MB, 3Mode,(w/bezel) (models)	40Y9107	2
6	Bezel assembly (all models)	41N8052	2
7	Power switch/LED assembly (all models)	41N5284	2
8	Speaker assembly, soldered terminals (models)	39P5023	2
9	Front audio/USB assembly (all models)	41N8054	2
10	Hard disk drive, 80GB (7200RPM), Serial ATA (models A1U A1F A1S A1P A1L A1D A1Y A1G A1M A1A A1Q A1T A1C A1B A1H A1V A1K A1R A1E A1J)	40Y9034	2
11	System board, Tamdhu II - Saturn non AMT(GA) support 45nm processor (Hard from 45R5312) (models A1U A1F A1S A1P A1L A1D A1Y A1G A1M A1A A1Q A1T A1C A1B A1H A1V A1K A1R A1E A1J)	46R1842	N
11	System board, Tamdhu II - Saturn AMT(GA) support 45nm processor (Hard from 45R5313) (models)	46R1843	N
12	Fan, Rear w/ grommets & Grill (all models)	41R6269	2
13	Power supply, 280 Watt ATX Power Supply - Standard, Robust (models A1U A1F A1S A1P A1L A1D A1Y A1G A1M A1A A1Q A1T A1C A1B A1H A1V A1K A1R A1E A1J)	41A9684	2
13	Power supply, 310 Watt ATX Power Supply - Standard, Robust, JP (models A1Q A1C A1B A1H A1V )	41A9726	2

The FRUs listed in the following tables are not illustrated.

6081 FRUs	FRU#	CRU Tier
Shield, 5.25 EMC (all models)	41N8080	2
Shield, diskette drive EMC (all models)	41N8078	2
Cable, Diskette drive (RoHs) (all models)	41A7182	2

6081 FRUs	FRU#	CRU Tier
Kit, Miscellaneous hardware (all models)	41N8055	2
Retainer, Card Reader (all models)	41R2913	2
Optional HDD Bracket Asm, without 4Pin cable (all models)	41R6106	2
Intrusion Switch asm (all models)	41R6116	2
Bezel, without IBM mark (all models)	41R6243	2
Cover, left side (all models)	41N8050	1
Chassis without IBM mark (all models)	41R6241	N
Hard disk drive tray (all models)	41R6291	N
Fan, front (all models)	41R4791	2
SATA cable,457mm,1 latching for device,RoHS (all models)	43N9013	2
SATA cable,250mm,1 latching for device,RoHS (all models)	43N9012	2
Fru-Cable, Temp Sense Cable (460mm) (all models)	41R2509	2
FRU - Blank 5.25" Bezel (all models)	41N8077	2

6081 Keyboards (USB Preferred - without hub)	FRU#	CRU Tier
US English (models A1U A1G A1M A1A A1Q)	41A5289	1
Arabic (models A1G)	41A5290	1
Belgian/French (models A1G)	41A5292	1
Belgian/UK (models A1G)	41A5293	1
Brazilian (models A1P)	41A5294	1
Bulgarian (models A1G)	41A5295	1
Chinese/US (models A1B A1V)	41A5296	1
Czech (models A1G)	41A5297	1
Danish (models A1G)	41A5298	1
Dutch (models A1G)	41A5299	1
French (models A1G)	41A5300	1
French Canadian 445 (models A1F)	41A5301	1
French Canadian 58 (models A1F)	41A5302	1
German (models A1G)	41A5303	1
Greek (models A1G)	41A5304	1
Hebrew (models A1G)	41A5306	1
Hungarian (models A1G)	41A5307	1
Iceland (models A1G)	41A5308	1
Italian 141 (models A1G)	41A5309	1
Japanese (models A1J)	41A5310	1
Korean (models A1K)	41A5311	1
LA Spanish (models A1A A1D A1Y)	41A5312	1
Norwegian (models A1G)	41A5313	1
Polish (models A1G)	41A5314	1
Portuguese (models A1G)	41A5315	1
Romanian 096 (models A1G)	41A5317	1

<b>6081 Keyboards (USB Preferred - without hub)</b>	<b>FRU#</b>	<b>CRU Tier</b>
Romanian 446 (models A1G)	41A5316	1
Russian/Cyrillic (models A1G)	41A5318	1
Serbian/Cyrillic (models A1G)	41A5319	1
Slovak (models A1G)	41A5320	1
Spanish (models A1G)	41A5321	1
Swedish/Finn (models A1G)	41A5322	1
Swiss (models A1G)	41A5323	1
Thailand (models A1T)	41A5324	1
Turkish 440 (models A1G)	41A5325	1
Turkish 179 (models A1G)	41A5326	1
UK English (models A1G)	41A5327	1
US Euro (models A1G)	41A5328	1
Slovenian (models A1G)	41A5329	1

<b>6081 Keyboards (Fingerprint Reader USB)</b>	<b>FRU#</b>	<b>CRU Tier</b>
US English (models)	41A5248	1
Arabic (models)	41A5249	1
Arabic/French (models)	41A5250	1
Belgian/French (models)	41A5251	1
Belgian/UK (models)	41A5252	1
Brazil/Portuguese (models)	41A5253	1
Bulgarian (models)	41A5254	1
Chinese (models)	41A5255	1
Czech (models)	41A5256	1
Danish (models)	41A5257	1
Dutch (models)	41A5258	1
French (models)	41A5259	1
French Canadian 445 (models)	41A5260	1
French Canadian 58 (models)	41A5261	1
German (models)	41A5262	1
Greek (models)	41A5263	1
Greek/US (models)	41A5264	1
Hebrew (models)	41A5265	1
Hungarian (models)	41A5266	1
Iceland (models)	41A5267	1
Italian 141 (models)	41A5268	1
Japanese (models)	41A5269	1
Korean (models)	41A5270	1
LA Spanish (models)	41A5271	1
Norwegian (models)	41A5272	1
Polish (models)	41A5273	1

<b>6081 Keyboards (Fingerprint Reader USB)</b>	<b>FRU#</b>	<b>CRU Tier</b>
Portuguese (models)	41A5274	1
Romanian 096 (models)	41A5275	1
Romanian 446 (models)	41A5276	1
Russian/Cyrillic (models)	41A5277	1
Serbian/Cyrillic (models)	41A5278	1
Slovak (models)	41A5279	1
Spanish (models)	41A5280	1
Swedish/Finn (models)	41A5281	1
Swiss (models)	41A5282	1
Thailand (models)	41A5283	1
Turkish 440 (models)	41A5284	1
Turkish 179 (models)	41A5285	1
UK English (models)	41A5286	1
US Euro (models)	41A5287	1
Slovenian (models)	41A5288	1

<b>6081 mice</b>	<b>FRU#</b>	<b>CRU Tier</b>
Optical Wheel Mouse (400DPI, USB) (models A1U A1F A1S A1P A1L A1D A1Y A1G A1M A1A A1Q A1T A1C A1B A1H A1V A1K A1R A1E A1J )	41U3013	1
Optical Wheel Mouse (400DPI, USB) (models A1U A1F A1S A1P A1L A1D A1Y A1G A1M A1A A1Q A1T A1C A1B A1H A1V A1K A1R A1E A1J )	41U3030	1

<b>6081 Adapters and miscellaneous FRUs</b>	<b>FRU#</b>	<b>CRU</b>
IEEE 1394 Firewire Adapter (ATX) (models CTO)	41D2781	2
Speaker Power brick - US, Canada, LA low voltage, ASEAN (models A1U A1A A1Y)	89P8571	1
Speaker Power brick - LA high voltage (non-APU) (models A1D)	89P8575	1
Speaker Power brick - China, Thailand (models A1C A1T)	89P8581	1
Speaker Power brick - Japan (models A1J)	89P8577	1
Speaker Power brick - Brazil (models)	89P8583	1
Speaker Power brick - ANZ (models A1M)	89P8579	1
Speaker Brick - Korea (models A1K)	41A4903	1
Speaker Power brick - Hong Kong, Malaysia, Singapore, UK, Brunei (models A1B A1H)	89P8573	1
Speaker Brick - Taiwan (models A1V)	41A4905	1
Speaker Power brick - India, South Africa (models A1Q)	89P8585	1
ATI HD 2600XT(RV630XT) 512MB 128BIT ATX, PCIe x16, Dual DVI-I/S-Video (models CTO)	43C0261	2
ATI RV610 256M LP, PCIe x16, DMS59/S-Video (models)	46R4160	2
ATI RV610 128M ATX, PCIe x16, DMS59/S-Video (models)	46R4159	2
DVI-VGA Dongle (models CTO)	45C7816	1
USB2.0 MEMORY CARDREADER,6X2,ROHS (models CTO)	45R1883	2
ODD/FDD/Cardreader Retainers (all models)	43N9351	2
20-in-1 Card Reader (all models)	45R8139	2

<b>6081 Adapters and miscellaneous FRUs</b>	<b>FRU#</b>	<b>CRU</b>
Temp Sense Cable (165 mm) (all models)	43N9079	2

<b>6081 Power Cords</b>	<b>FRU#</b>	<b>CRU Tier</b>
Line Cord - US (models A1U A1F A1S A1D A1L A1A A1T)	41R3184	1
Line Cord - US (models A1U A1F A1S A1D A1L A1A A1T)	41R3185	1
Line Cord - China (models A1C)	41R3256	1
Line Cord - China (models A1C)	41R3257	1
Line Cord - Brazil (models A1P)	41R3270	1
Line Cord - Brazil (models A1P)	41R3271	1
Line Cord - LA High Volt (APU) (models A1Y A1L )	41R3176	1
Line Cord - LA High Volt (APU) (models A1Y A1L )	41R3177	1
Line Cord - Korea (models A1K A1R)	41R3260	1
Line Cord - Korea (models A1K A1R)	41R3261	1
Line Cord - UK, Ireland, Singapore, Malaysia, Brunei (models A1G A1A)	41R3224	1
Line Cord - UK, Ireland, Singapore, Malaysia, Brunei (models A1G A1A)	41R3225	1
Line Cord - Taiwan (models A1V)	41R3278	1
Line Cord - Taiwan (models A1V)	41R3279	1
Line Cord - Italy (models A1S A1Y A1L A1G)	41R3232	1
Line Cord - Italy (models A1S A1Y A1L A1G)	41R3233	1
Line Cord - Indonesia, Laos, Cambodia, and Vietnam (models A1A)	41R3208	1
Line Cord - Indonesia, Laos, Cambodia, and Vietnam (models A1A)	41R3209	1
Line Cord - Denmark (models A1G)	41R3212	1
Line Cord - Denmark (models A1G)	41R3213	1
Line Cord - Switzerland (models A1G)	41R3228	1
Line Cord - Switzerland (models A1G)	41R3229	1
Line Cord - Israel (models A1G)	41R3236	1
Line Cord - Israel (models A1G)	41R3237	1
Line Cord - South Africa (models A1M )	41R3220	1
Line Cord - South Africa (models A1M )	41R3221	1
Line Cord - India (models A1Q)	41R3341	1
Line Cord - India (models A1Q)	41R3175	1
Line Cord - Japan (models A1E A1J )	41R3248	1
Line Cord - Japan (models A1E A1J )	41R3249	1
Line Cord - ANZ (models A1M )	41R3196	1
Line Cord - ANZ (models A1M )	41R3197	1
Line Cord - Hong Kong (models A1B A1H )	41R3224	1
Line Cord - Hong Kong (models A1B A1H )	41R3225	1

<b>6081 Windows XP Home Recovery CDs</b>	<b>FRU#</b>	<b>CRU</b>
English (models CTO)	45R6005	1
French (models CTO)	45R6006	1

<b>6081 Windows XP Home Recovery CDs</b>	<b>FRU#</b>	<b>CRU</b>
German (models CTO)	45R6007	1
Spanish (models CTO)	45R6008	1
Brazil (models CTO)	45R6009	1
Italian (models)	45R6010	1
Japanese (models)	45R6011	1
Norwegian (models CTO)	45R6012	1
Swedish (models CTO)	45R6013	1
Danish (models CTO)	45R6014	1
Dutch (models CTO)	45R6015	1
Czech (models CTO)	45R6016	1
Finnish (models CTO)	45R6017	1
Hebrew (models CTO)	45R6018	1
Polish (models CTO)	45R6019	1
Arabic (models CTO)	45R6020	1
Russian (models CTO)	45R6021	1
Turkish (models CTO)	45R6022	1
Hungarian (models CTO)	45R6023	1
Greek (models CTO)	45R6024	1
Simplified Chinese (models CTO)	45R6025	1
Taiwan (models CTO)	45R6026	1
HongKong (models CTO)	45R6027	1
Korea (models CTO)	45R6028	1
Russian English (models CTO)	45R6029	1
Portuguese (models CTO)	45R6030	1

<b>6081 Windows XP Pro Recovery CDs</b>	<b>FRU#</b>	<b>CRU</b>
English (models A1U A1F A1G A1M A1A A1Q A1H A1R A1E)	45R5979	1
French (models A1G)	45R5980	1
German (models A1G)	45R5981	1
Spanish (models A1G)	45R5982	1
Brazil (models A1P)	45R5983	1
Italian (models A1G)	45R5984	1
Japanese (models A1G)	45R5985	1
Norwegian (models A1G)	45R5986	1
Swedish (models A1G)	45R5987	1
Danish (models A1G)	45R5988	1
Dutch (models A1G)	45R5989	1
Czech (models A1G)	45R5990	1
Finnish (models A1G)	45R5991	1
Hebrew (models A1G)	45R5992	1
Polish (models A1G)	45R5993	1



<b>6081 Windows XP Pro Recovery CDs</b>	<b>FRU#</b>	<b>CRU</b>
Arabic (models A1G)	45R5994	1
Russian (models A1G)	45R5995	1
Turkish (models A1G)	45R5996	1
Hungarian (models A1G)	45R5997	1
Greek (models A1G)	45R5998	1
Simplified Chinese (models)	45R5999	1
Taiwan (models A1V)	45R6000	1
HongKong (models A1B)	45R6001	1
Korea (models A1K A1J)	45R6002	1
Russian English (models A1G)	45R6003	1
Portuguese (models A1G)	45R6004	1
MUL 1 - EN, NL, FR, GR, IT (models A1G)	45R5977	1
MUL 2 - EN, DK, FI, NO, SV (models A1G)	45R5978	1

<b>6081 Vista Home Basic 32 Recovery DVDs</b>	<b>FRU#</b>	<b>CRU</b>
English (models)	46R7098	1
Russian English (models CTO)	46R7099	1
French (models CTO)	46R7100	1
German (models CTO)	46R7101	1
Spanish (models CTO)	46R7102	1
Brazilian (models CTO)	46R7103	1
Italian (models CTO)	46R7104	1
Japanese (models)	46R7105	1
Norwegian (models CTO)	46R7106	1
Swedish (models CTO)	46R1086	1
Danish (models CTO)	46R7107	1
Dutch (models CTO)	46R1088	1
Czech (models CTO)	46R1089	1
Finnish (models CTO)	46R1090	1
Polish (models CTO)	46R1091	1
Russian (models CTO)	46R7108	1
Turkish (models CTO)	46R1093	1
Hungarian (models CTO)	46R1094	1
Greek (models CTO)	46R1095	1
Simplified Chinese (models CTO)	46R7109	1
Taiwan (models CTO)	46R7110	1
HongKong (models CTO)	46R7111	1
Korea (models)	46R1099	1
Slovenian (models CTO)	46R1100	1
Hebrew (models CTO)	46R1101	1
Portuguese (models CTO)	46R1102	1

6081 Vista Home Basic 32 Recovery DVDs	FRU#	CRU
Arabic Localized (models CTO)	46R1103	1
Slovakia (models CTO)	46R1104	1

6081 Vista Business 32 Recovery DVDs	FRU#	CRU
English (models A1U A1F A1G A1M A1A A1Q A1H A1R A1E)	46R7070	1
Russian English (models A1G)	46R7071	1
French (models A1G)	46R7072	1
German (models A1G)	46R7073	1
Spanish (models A1G)	46R7074	1
Brazilian (models A1P)	46R7075	1
Italian (models A1G)	46R7076	1
Japanese (models A1J)	46R7077	1
Norwegian (models A1G)	46R7078	1
Swedish (models A1G)	46R1028	1
Danish (models A1G )	46R7079	1
Dutch (models A1G)	46R1030	1
Czech (models A1G)	46R1031	1
Finnish (models A1G)	46R1032	1
Polish (models A1G)	46R1033	1
Russian (models A1G)	46R7080	1
Turkish (models A1G)	46R1035	1
Hungarian (models A1G)	46R1036	1
Greek (models A1G)	46R1037	1
Simplified Chinese (models A1C)	46R7081	1
Traditional Chinese (models A1V A1B )	46R7082	1
Traditional Chinese (models A1V A1B )	46R7083	1
Korean (models A1K )	46R1041	1
Slovenian (models A1G)	46R1042	1
Romanian (models A1G )	46R1043	1
Portuguese (models A1G)	46R1044	1
Sebian-Latin (models)	46R1045	1
Slovakian (models A1G)	46R1046	1
Arabic Localized (models)	46R1047	1
Hebrew (models A1G)	46R1048	1

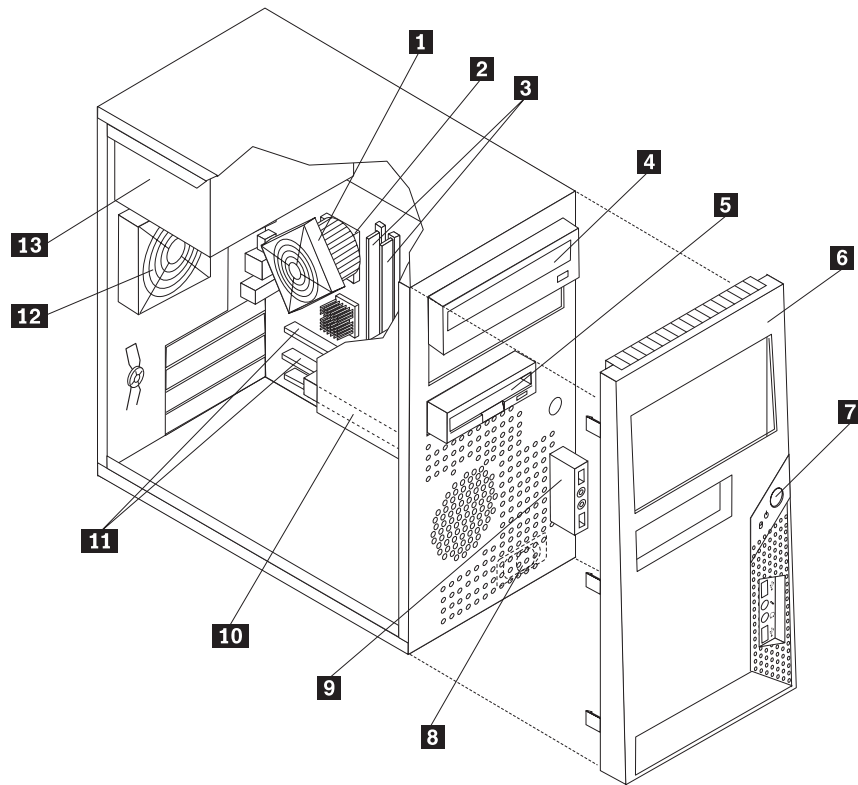
6081 Vista Ultimate 32 Recovery DVDs	FRU#	CRU
English (models)	45R5949	1
Russian English (models)	45R5950	1
French (models)	45R5951	1
German (models)	45R5952	1
Spanish (models)	45R5953	1

6081 Vista Ultimate 32 Recovery DVDs	FRU#	CRU
Brazilian (models)	45R5954	1
Italian (models)	45R5955	1
Japanese (models)	45R5956	1
Norwegian (models)	45R5957	1
Swedish (models)	45R5958	1
Danish (models)	45R5959	1
Dutch (models)	45R5960	1
Czech (models)	45R5961	1
Finnish (models)	45R5962	1
Polish (models)	45R5963	1
Russian (models)	45R5964	1
Turkish (models)	45R5965	1
Hungarian (models)	45R5966	1
Greek (models)	45R5967	1
Simplified Chinese (models)	45R5968	1
Traditional Chinese (models)	45R5969	1
Traditional Chinese (models)	45R5970	1
Korean (models)	45R5971	1
Slovenian (models)	45R5972	1
Hebrew (models)	45R5973	1
Portuguese (models)	45R5974	1
Slovakian (models)	45R5975	1
Arabic Localized (models)	45R5976	1

6081 XP Pro Recovery DVDs	FRU#	CRU
English (models)	45R8811	1
French (models)	45R8812	1
German (models)	45R8813	1
Spanish (models)	45R8814	1
Brazil (models)	45R8815	1
Italian (models)	45R8816	1
Japanese (models)	45R8817	1
Norwegian (models)	45R8818	1
Swedish (models)	45R8819	1
Danish (models)	45R8820	1
Dutch (models)	45R8821	1
Czech (models)	45R8822	1
Finnish (models)	45R8823	1
Hebrew (models)	45R8824	1
Polish (models)	45R8825	1
Arabic (models)	45R8826	1

<b>6081 XP Pro Recovery DVDs</b>	<b>FRU#</b>	<b>CRU</b>
Russian (models)	45R8827	1
Turkish (models)	45R8828	1
Hungarian (models)	45R8829	1
Greek (models)	45R8830	1
Simplified Chinese (models)	45R8831	1
Taiwan (models)	45R8832	1
HongKong (models)	45R8833	1
Korea (models)	45R8834	1
Russian English (models)	45R8835	1
Portuguese (models)	45R8836	1
Slovenian (models)	45R8837	1

# Machine Type 6086



Item #	6086 FRUs	FRU#	CRU Tier
1	Intel 65W/95w heatsink (all models)	43N9309	2
2	Microprocessor, Core 2 Duo E6550 Processor 2.33GHz 1333MHz FSB 4M L2 (models A1U A1F A1S A1P A1L A1D A1Y A1G A1M A1A A1Q A1T A1C A1B A1H A1V A1K A1R A1E A1J A2U A2F A2S A2P A2L A2D A2Y A2G A2M A2A A2Q A2T A2C A2B A2H A2V A2K A2R A2E A2J )	43C3833	N
2	Microprocessor, Core 2 Duo E2160 Processor 1.8GHz 800MHz FSB 1M L2 (models A3U A3F A3P A3D A3Y A3G A3M A3A A3Q A3T A3C A3B A3H A3V A3K A3R A3E A3J )	43C1968	N
2	Microprocessor, Core 2 Duo E2220 Processor 2.4GHz 800MHz FSB 1M L2 65W (models)	45C1774	N
2	Microprocessor, Core 2 Duo E4700 Processor 2.6GHz 800MHz 2M 65W (models)	45R5786	N
2	Microprocessor, Core 2 Duo E6540 Processor 2.33GHz 1333MHz FSB 4M L2 (models CTO)	43C6307	N
2	Microprocessor, Q6600 KENTSFIELD G-0 8MB 4c LGA 2.4GHZ 1066FSB G-0 Stepping Level, 95W (models CTO)	43C1695	N
2	Microprocessor, Q6700 KENTSFIELD G-0 8MB 4c LGA G-0 Stepping Level, 95W2.66GHZ 1066FSB (models CTO)	43C6309	N
2	Microprocessor, Core 2 Duo E4600 Processor 2.4GHz 800MHz FSB 2M L2 M-0 Stepping Level, Mainstream/Value FMB (models)	45C5282	N
2	Microprocessor, Core 2 Duo E2200 Processor 2.2GHz 800MHz FSB 1M L2 M-0 Stepping Level, Mainstream/Value FMB (models)	45C5349	N
2	Microprocessor, Core 2 Duo E8500 Processor 3.16GHz 1333MHz FSB 6M L2 65W (models CTO)	45C7735	N

Item #	6086 FRUs	FRU#	CRU Tier
2	Microprocessor, Core 2 Duo E8400 Processor 3.0GHz 1333MHz FSB 6M L2 65W (models)	45C7736	N
2	Microprocessor, Core 2 Duo E8300 Processor 2.83GHz 1333MHz FSB 6M L2 65W (models)	45C7737	N
2	Microprocessor, Core 2 Duo E8200 Processor 2.66GHz 1333MHz FSB 6M L2 65W (models)	45C7738	N
2	Microprocessor, Core2 Duo E8190 Processor 1333/2600MHz 6M L2 65W Non vPro (models)	45R2568	N
2	Microprocessor, Core 2 Duo E7200 Processor 2.53GHz 1066MHz 3M L2 65W (models)	45R8337	N
2	Microprocessor, Dual Core E1400 Processor 2.0GHz 800MHz 512K L2 65W (models)	45R8339	N
2	Microprocessor, Dual Core E1200 Processor 1.6GHz 800MHz 512K (models)	45R8341	N
2	Microprocessor, Q9550 Yorkfield 2.83GHZ 1333FSB 12M 4/4 L2 95W C1 stepping (models)	45C7739	N
2	Microprocessor, Q9450 Yorkfield 2.66GHZ 1333FSB 12M 4/4 L2 95W C1 stepping (models)	45C7740	N
2	Microprocessor, Q9300 Yorkfield 2.50GHZ 1333FSB 6M 4/4 L2 95W M1 stepping (models)	45C7741	N
2	Microprocessor, Wolfdale Core 2 Duo E7300 Processor 2.66GHz 1066MHz FSB 3M L2 65W M0 Stepping (models)	46R1622	N
2	Microprocessor, Dual Core E1600 Processor 2.4GHz 800MHz 512K L2 65W M0 Stepping Level (models)	46R1655	N
2	Microprocessor, Core 2 Duo E2180 Processor 2.0GHz 800MHz FSB 1M L2 (models)	45C1773	N
3	Memory module, 1 GB PC2-5300 (667MHz) DDR2 SDRAM (models A1U A1F A1S A1P A1L A1D A1Y A1G A1M A1A A1Q A1T A1C A1B A1H A1V A1K A1R A1E A1J A2U A2F A2S A2P A2L A2D A2Y A2G A2M A2A A2Q A2T A2C A2B A2H A2V A2K A2R A2E A2J A3U A3F A3P A3D A3Y A3G A3M A3A A3Q A3T A3C A3B A3H A3V A3K A3R A3E A3J )	41X4256	2
3	DVD-ROM Drive - 16x/48x - SATA XP and Vista (models A2U A2F A2S A2P A2L A2D A2Y A2G A2M A2A A2Q A2T A2C A2B A2H A2V A2K A2R A2E A2J A3U A3F A3P A3D A3Y A3G A3M A3A A3Q A3T A3C A3B A3H A3V A3K A3R A3E A3J)	41N3325	2
4	DVD-ROM/CD-RW Combo Drive - 48x/32x/48x/16x - SATA vista and XP (models A1U A1F A1S A1P A1L A1D A1Y A1G A1M A1A A1Q A1T A1C A1B A1H A1V A1K A1R A1E A1J )	42Y9353	2
5	Diskette drive, 3,5", 1.44MB, 3Mode,(w/bezel) (models)	40Y9105	2
5	Diskette drive, 3,5", 1.44MB, 3Mode,(w/bezel) (models)	40Y9107	2
5	Diskette drive, 3,5", 1.44MB, 3Mode,(w/bezel) (models)	40Y9113	2
6	Bezel assembly (all models)	41N8052	2
7	Power switch/LED assembly (all models)	41N5284	2
8	Speaker assembly, soldered terminals (models)	39P5023	2
9	Front audio/USB assembly (all models)	41N8054	2
10	Hard disk drive, 80GB (7200RPM), Serial ATA (models A1U A1F A1S A1P A1L A1D A1Y A1G A1M A1A A1Q A1T A1C A1B A1H A1V A1K A1R A1E A1J A2U A2F A2S A2P A2L A2D A2Y A2G A2M A2A A2Q A2T A2C A2B A2H A2V A2K A2R A2E A2J A3U A3F A3P A3D A3Y A3G A3M A3A A3Q A3T A3C A3B A3H A3V A3K A3R A3E A3J )	40Y9034	2

Item #	6086 FRUs	FRU#	CRU Tier
11	System board, Tamdhu II - Saturn non AMT(GA) support 45nm processor (Hard from 45R5312) (models A1U A1F A1S A1P A1L A1D A1Y A1G A1M A1A A1Q A1T A1C A1B A1H A1V A1K A1R A1E A1J A2U A2F A2S A2P A2L A2D A2Y A2G A2M A2A A2Q A2T A2C A2B A2H A2V A2K A2R A2E A2J A3U A3F A3P A3D A3Y A3G A3M A3A A3Q A3T A3C A3B A3H A3V A3K A3R A3E A3J)	46R1842	N
11	System board, Tamdhu II - Saturn AMT(GA) support 45nm processor (Hard from 45R5313) (models)	46R1843	N
12	Fan, Rear w/ grommets & Grill (all models)	41R6046	2
13	Power supply, 280 Watt ATX Power Supply - Standard, Robust (models A1U A1F A1S A1P A1L A1D A1Y A1G A1M A1A A1Q A1T A1C A1B A1H A1V A1K A1R A1E A1J A2U A2F A2S A2P A2L A2D A2Y A2G A2M A2A A2Q A2T A2C A2B A2H A2V A2K A2R A2E A2J A3U A3F A3P A3D A3Y A3G A3M A3A A3Q A3T A3C A3B A3H A3V A3K A3R A3E A3J )	41A9684	2
13	Power supply, 310 Watt ATX Power Supply - Standard, Robust, JP (models A1J A2J A3J)	41A9726	2

The FRUs listed in the following tables are not illustrated.

6086 FRUs	FRU#	CRU Tier
Shield, 5.25 EMC (all models)	41N8080	2
Shield, diskette drive EMC (all models)	41N8078	2
Cable, Diskette drive (RoHs) (all models)	41A7182	2
Kit, Miscellaneous hardware (all models)	41N8055	2
Retainer, Card Reader (all models)	41R2913	2
Optional HDD Bracket Asm, without 4Pin cable (all models)	41R6106	2
Intrusion Switch asm (all models)	41R6116	2
Bezel, without IBM mark (all models)	41R6243	2
Cover, left side (all models)	41N8050	1
Chassis without IBM mark (all models)	41R6241	N
Hard disk drive tray (all models)	41R6291	N
Fan, front (all models)	41R4791	2
SATA cable,457mm,1 latching for device,RoHS (all models)	43N9013	2
SATA cable,250mm,1 latching for device,RoHS (all models)	43N9012	2
Fru-Cable, Temp Sense Cable (460mm) (all models)	41R2509	2
FRU - Blank 5.25" Bezel (all models)	41N8077	2

6086 Keyboards (USB Preferred - without hub)	FRU#	CRU Tier
US English (models A1U A1G A1M A1A A1Q Q1H A1R A1E A2U A2G A2M A2A A2Q A2H A2R A2E A3U A3G A3M A3A A3Q A3H A3R A3E)	41A5289	1
Arabic (models A1G A2G A3G)	41A5290	1
Belgian/French (models A1G A2G A3G)	41A5292	1
Belgian/UK (models A1G A2G A3G)	41A5293	1
Brazilian (models A1P A2P A3P)	41A5294	1
Bulgarian (models A1G A2G A3G)	41A5295	1
Chinese/US (models A1G A2G A3G)	41A5296	1

<b>6086 Keyboards (USB Preferred - without hub)</b>	<b>FRU#</b>	<b>CRU Tier</b>
Czech (models A1G A2G A3G)	41A5297	1
Danish (models A1G A2G A3G)	41A5298	1
Dutch (models A1G A2G A3G)	41A5299	1
French (models A1G A2G A3G)	41A5300	1
French Canadian 445 (models A1F A2F A3F)	41A5301	1
French Canadian 58 (models A1F A2F A3F)	41A5302	1
German (models A1G A2G A3G)	41A5303	1
Greek (models A1G A2G A3G)	41A5304	1
Hebrew (models A1G A2G A3G)	41A5306	1
Hungarian (models A1G A2G A3G)	41A5307	1
Iceland (models A1G A2G A3G)	41A5308	1
Italian 141 (models A1G A2G A3G)	41A5309	1
Japanese (models A1J A2J A3J)	41A5310	1
Korean (models A1K A2K A3K)	41A5311	1
LA Spanish (models A1S A1D A1Y A2S A2D A2Y A3S A3D A3Y )	41A5312	1
Norwegian (models A1G A2G A3G)	41A5313	1
Polish (models A1G A2G A3G)	41A5314	1
Portuguese (models A1G A2G A3G)	41A5315	1
Romanian 446 (models A1G A2G A3G)	41A5316	1
Romanian 096 (models A1G A2G A3G)	41A5317	1
Russian/Cyrillic (models A1G A2G A3G)	41A5318	1
Serbian/Cyrillic (models A1G A2G A3G)	41A5319	1
Slovak (models A1G A2G A3G)	41A5320	1
Spanish (models A1G A2G A3G)	41A5321	1
Swedish/Finn (models A1G A2G A3G)	41A5322	1
Swiss (models A1G A2G A3G)	41A5323	1
Thailand (models A1T A2T A3T )	41A5324	1
Turkish 440 (models A1G A2G A3G)	41A5325	1
Turkish 179 (models A1G A2G A3G)	41A5326	1
UK English (models A1G A2G A3G)	41A5327	1
US Euro (models A5G A7G)	41A5328	1
Slovenian (models A1G A2G A3G)	41A5329	1

<b>6086 Keyboards (Fingerprint Reader USB)</b>	<b>FRU#</b>	<b>CRU Tier</b>
US English (models)	41A5248	1
Arabic (models)	41A5249	1
Arabic/French (models)	41A5250	1
Belgian/French (models)	41A5251	1
Belgian/UK (models)	41A5252	1
Brazil/Portuguese (models)	41A5253	1
Bulgarian (models)	41A5254	1



6086 Keyboards (Fingerprint Reader USB)	FRU#	CRU Tier
Chinese (models)	41A5255	1
Czech (models)	41A5256	1
Danish (models)	41A5257	1
Dutch (models)	41A5258	1
French (models)	41A5259	1
French Canadian 445 (models)	41A5260	1
French Canadian 58 (models)	41A5261	1
German (models)	41A5262	1
Greek (models)	41A5263	1
Greek/US (models)	41A5264	1
Hebrew (models)	41A5265	1
Hungarian (models)	41A5266	1
Iceland (models)	41A5267	1
Italian 141 (models)	41A5268	1
Japanese (models)	41A5269	1
Korean (models)	41A5270	1
LA Spanish (models)	41A5271	1
Norwegian (models)	41A5272	1
Polish (models)	41A5273	1
Portuguese (models)	41A5274	1
Romanian 096 (models)	41A5275	1
Romanian 446 (models)	41A5276	1
Russian/Cyrillic (models)	41A5277	1
Serbian/Cyrillic (models)	41A5278	1
Slovak (models)	41A5279	1
Spanish (models)	41A5280	1
Swedish/Finn (models)	41A5281	1
Swiss (models)	41A5282	1
Thailand (models)	41A5283	1
Turkish 440 (models)	41A5284	1
Turkish 179 (models)	41A5285	1
UK English (models)	41A5286	1
US Euro (models)	41A5287	1
Slovenian (models)	41A5288	1

6086 mice	FRU#	CRU Tier
Optical Wheel Mouse (400DPI, USB) (models A1U A1F A1S A1P A1L A1D A1Y A1G A1M A1A A1Q A1T A1C A1B A1H A1V A1K A1R A1E A1J A2U A2F A2S A2P A2L A2D A2Y A2G A2M A2A A2Q A2T A2C A2B A2H A2V A2K A2R A2E A2J A3U A3F A3P A3D A3Y A3G A3M A3A A3Q A3T A3C A3B A3H A3V A3K A3R A3E A3J)	41U3013	1

6086 mice	FRU#	CRU Tier
Optical Wheel Mouse (400DPI, USB) (models A1U A1F A1S A1P A1L A1D A1Y A1G A1M A1A A1Q A1T A1C A1B A1H A1V A1K A1R A1E A1J A2U A2F A2S A2P A2L A2D A2Y A2G A2M A2A A2Q A2T A2C A2B A2H A2V A2K A2R A2E A2J A3U A3F A3P A3D A3Y A3G A3M A3A A3Q A3T A3C A3B A3H A3V A3K A3R A3E A3J)	41U3030	1

6086 Adapters and miscellaneous FRUs	FRU#	CRU
IEEE 1394 Firewire Adapter (ATX) (models CTO)	41D2781	2
Speaker Power brick - US, Canada, LA low voltage, ASEAN (models A1U A1S A2U A2S A3U A3S)	89P8571	1
Speaker Power brick - LA high voltage (non-APU) (models A1D A2D A3D)	89P8575	1
Speaker Power brick - China, Thailand (models A1C A1T A2C A2T A3C A3T)	89P8581	1
Speaker Power brick - Japan (models A1J A2J A3J)	89P8577	1
Speaker Power brick - ANZ (models A1M A2M A3M)	89P8579	1
Speaker Brick - Korea (models A1K A2K A3K)	41A4903	1
Speaker Power brick - Hong Kong, Malaysia, Singapore, UK, Brunei (models A1B A1H A1G A2B A2H A2G A3B A3H A3G)	89P8573	1
Speaker Brick - Taiwan (models A1V A2V A3V)	41A4905	1
Speaker Power brick - India, South Africa (models A1Q A2Q A3Q)	89P8585	1
ATI RV610 256M LP, PCIe x16, DMS59/S-Video (models)	46R4160	2
ATI RV610 128M ATX, PCIe x16, DMS59/S-Video (models)	46R4159	2
Lenovo USB2.0 Security Memory Key - 1GB (models)	43R2296	2
ATI HD 2600XT(RV630XT) 512MB 128BIT ATX, PCIe x16, Dual DVI-I/S-Video (models CTO)	43C0261	2
DVI-VGA Dongle (models CTO)	45C7816	1
USB2.0 MEMORY CARDREADER,6X2,ROHS (models CTO)	45R1883	2
ODD/FDD/Cardreader Retainers (all models)	43N9351	2
20-in-1 Card Reader (all models)	45R8139	2
Temp Sense Cable (165 mm) (all models)	43N9079	2

6086 Power Cords	FRU#	CRU Tier
Line Cord - US (models A1U A1F A1S A1D A1L A1A A1T A2U A2F A2S A2D A2L A2A A2T A3U A3F A3S A3D A3L A3A A3T)	41R3184	1
Line Cord - US (models A1U A1F A1S A1D A1L A1A A1T A2U A2F A2S A2D A2L A2A A2T A3U A3F A3S A3D A3L A3A A3T)	41R3185	1
Line Cord - China (models A1C A2C A3C)	41R3256	1
Line Cord - China (models A1C A2C A3C)	41R3257	1
Line Cord - Brazil (models A1P A2P A3P )	41R3270	1
Line Cord - Brazil (models A1P A2P A3P )	41R3271	1
Line Cord - LA High Volt (APU) (models A1Y A1L A2Y A2L A3Y A3L)	41R3176	1
Line Cord - LA High Volt (APU) (models A1Y A1L A2Y A2L A3Y A3L)	41R3177	1
Line Cord - Korea (models A1K A1R A2K A2R A3K A3R)	41R3260	1
Line Cord - Korea (models A1K A1R A2K A2R A3K A3R)	41R3261	1

6086 Power Cords	FRU#	CRU Tier
Line Cord - UK, Ireland, Singapore, Malaysia, Brunei (models A1G A1A A2G A2A A3G A3A)	41R3224	1
Line Cord - UK, Ireland, Singapore, Malaysia, Brunei (models A1G A1A A2G A2A A3G A3A)	41R3225	1
Line Cord - Taiwan (models A1V A2V A3V )	41R3278	1
Line Cord - Taiwan (models A1V A2V A3V )	41R3279	1
Line Cord - Italy (models A1S A1Y A1L A1G A2S A2Y A2L A2G A3S A3Y A3L A3G )	41R3232	1
Line Cord - Italy (models A1S A1Y A1L A1G A2S A2Y A2L A2G A3S A3Y A3L A3G )	41R3233	1
Line Cord - Indonesia, Laos, Cambodia, and Vietnam (models A1A A2A A3A)	41R3208	1
Line Cord - Indonesia, Laos, Cambodia, and Vietnam (models A1A A2A A3A)	41R3209	1
Line Cord - Denmark (models A1G A2G A3G )	41R3212	1
Line Cord - Denmark (models A1G A2G A3G)	41R3213	1
Line Cord - Switzerland (models A1G A2G A3G)	41R3228	1
Line Cord - Switzerland (models A1G A2G A3G)	41R3229	1
Line Cord - Israel (models A1G A2G A3G)	41R3236	1
Line Cord - Israel (models A1G A2G A3G)	41R3237	1
Line Cord - South Africa (models A1G A1M A1A A2G A2M A2A A3G A3M A3A)	41R3220	1
Line Cord - South Africa (models A1G A1M A1A A2G A2M A2A A3G A3M A3A)	41R3221	1
Line Cord - India (models A1Q A2Q A3Q)	41R3341	1
Line Cord - India (models A1Q A2Q A3Q)	41R3175	1
Line Cord - Japan (models A1E A1J A2E A2J A3E A3J )	41R3248	1
Line Cord - Japan (models A1E A1J A2E A2J A3E A3J )	41R3249	1
Line Cord - ANZ (models A1M A2M A3M)	41R3196	1
Line Cord - ANZ (models A1M A2M A3M)	41R3197	1
Line Cord - Hong Kong (models A1B A1H A2B A2H A3B A3H )	41R3224	1
Line Cord - Hong Kong (models A1B A1H A2B A2H A3B A3H )	41R3225	1

6086 Windows XP Home Recovery CDs	FRU#	CRU
English (models CTO)	45R6005	1
French (models CTO)	45R6006	1
German (models CTO)	45R6007	1
Spanish (models CTO)	45R6008	1
Brazil (models CTO)	45R6009	1
Italian (models)	45R6010	1
Japanese (models)	45R6011	1
Norwegian (models CTO)	45R6012	1
Swedish (models CTO)	45R6013	1
Danish (models CTO)	45R6014	1
Dutch (models CTO)	45R6015	1
Czech (models CTO)	45R6016	1
Finnish (models CTO)	45R6017	1

6086 Windows XP Home Recovery CDs	FRU#	CRU
Hebrew (models CTO)	45R6018	1
Polish (models CTO)	45R6019	1
Arabic (models CTO)	45R6020	1
Russian (models CTO)	45R6021	1
Turkish (models CTO)	45R6022	1
Hungarian (models CTO)	45R6023	1
Greek (models CTO)	45R6024	1
Simplified Chinese (models CTO)	45R6025	1
Taiwan (models CTO)	45R6026	1
HongKong (models CTO)	45R6027	1
Korea (models CTO)	45R6028	1
Russian English (models CTO)	45R6029	1
Portuguese (models CTO)	45R6030	1

6086 Windows XP Pro Recovery CDs	FRU#	CRU
English (models)	45R5979	1
French (models)	45R5980	1
German (models)	45R5981	1
Spanish (models)	45R5982	1
Brazil (models)	45R5983	1
Italian (models)	45R5984	1
Japanese (models)	45R5985	1
Norwegian (models)	45R5986	1
Swedish (models)	45R5987	1
Danish (models)	45R5988	1
Dutch (models)	45R5989	1
Czech (models)	45R5990	1
Finnish (models)	45R5991	1
Hebrew (models)	45R5992	1
Polish (models)	45R5993	1
Arabic (models)	45R5994	1
Russian (models)	45R5995	1
Turkish (models)	45R5996	1
Hungarian (models)	45R5997	1
Greek (models)	45R5998	1
Simplified Chinese (models)	45R5999	1
Taiwan (models)	45R6000	1
HongKong (models)	45R6001	1
Korea (models)	45R6002	1
Russian English (models)	45R6003	1
Portuguese (models)	45R6004	1

<b>6086 Windows XP Pro Recovery CDs</b>	<b>FRU#</b>	<b>CRU</b>
MUL 1 - EN, NL, FR, GR, IT (models)	45R5977	1
MUL 2 - EN, DK, FI, NO, SV (models)	45R5978	1

<b>6086 Vista Home Basic 32 Recovery DVDs</b>	<b>FRU#</b>	<b>CRU</b>
English (models)	46R7098	1
Russian English (models CTO)	46R7099	1
French (models CTO)	46R7100	1
German (models CTO)	46R7101	1
Spanish (models CTO)	46R7102	1
Brazilian (models CTO)	46R7103	1
Italian (models CTO)	46R7104	1
Japanese (models)	46R7105	1
Norwegian (models CTO)	46R7106	1
Swedish (models CTO)	46R1086	1
Danish (models CTO)	46R7107	1
Dutch (models CTO)	46R1088	1
Czech (models CTO)	46R1089	1
Finnish (models CTO)	46R1090	1
Polish (models CTO)	46R1091	1
Russian (models CTO)	46R7108	1
Turkish (models CTO)	46R1093	1
Hungarian (models CTO)	46R1094	1
Greek (models CTO)	46R1095	1
Simplified Chinese (models CTO)	46R7109	1
Taiwan (models CTO)	46R7110	1
HongKong (models CTO)	46R7111	1
Korea (models)	46R1099	1
Slovenian (models CTO)	46R1100	1
Hebrew (models CTO)	46R1101	1
Portuguese (models CTO)	46R1102	1
Arabic Localized (models CTO)	46R1103	1
Slovakia (models CTO)	46R1104	1

<b>6086 Vista Business 32 Recovery DVDs</b>	<b>FRU#</b>	<b>CRU</b>
English (models A1U A1G A1M A1Q A1H A1R A1E A2U A2G A2M A2Q A2H A2R A2E A3U A3G A3M A3Q A3H A3R A3E)	46R7070	1
Russian English (models A1G A2G A3G )	46R7071	1
French (models A1F A1G A2F A2G A3F A3G )	46R7072	1
German (models A1G A2G A3G )	46R7073	1
Spanish (models A1G A2G A3G )	46R7074	1
Brazilian (models A1P A2P A3P)	46R7075	1

<b>6086 Vista Business 32 Recovery DVDs</b>	<b>FRU#</b>	<b>CRU</b>
Italian (models A1G A2G A3G )	46R7076	1
Japanese (models A1J A2J A3J)	46R7077	1
Norwegian (models A1G A2G A3G)	46R7078	1
Swedish (models A1G A2G A3G)	46R1028	1
Danish (models A1G A2G A3G)	46R7079	1
Dutch (models A1G A2G A3G)	46R1030	1
Czech (models A1G A2G A3G)	46R1031	1
Finnish (models A1G A2G A3G)	46R1032	1
Polish (models A1G A2G A3G)	46R1033	1
Russian (models A1G A2G A3G)	46R7080	1
Turkish (models A1G A2G A3G)	46R1035	1
Hungarian (models A1G A2G A3G)	46R1036	1
Greek (models A1G A2G A3G)	46R1037	1
Simplified Chinese (models A1C A2C A3C)	46R7081	1
Traditional Chinese (models A1B A1V A2B A2V A3V A3V)	46R7082	1
Traditional Chinese (models A1B A1V A2B A2V A3V A3V)	46R7083	1
Korean (models A1K A2K A3K)	46R1041	1
Slovenian (models A1G A2G A3G)	46R1042	1
Romanian (models A1G A2G A3G)	46R1043	1
Portuguese (models A1G A2G A3G)	46R1044	1
Sebian-Latin (models )	46R1045	1
Slovakian (models A1G A2G A3G)	46R1046	1
Arabic Localized (models)	46R1047	1
Hebrew (models A1G A2G A3G)	46R1048	1

<b>6086 Vista Ultimate 32 Recovery DVDs</b>	<b>FRU#</b>	<b>CRU</b>
English (models)	45R5949	1
Russian English (models)	45R5950	1
French (models)	45R5951	1
German (models)	45R5952	1
Spanish (models)	45R5953	1
Brazilian (models)	45R5954	1
Italian (models)	45R5955	1
Japanese (models)	45R5956	1
Norwegian (models)	45R5957	1
Swedish (models)	45R5958	1
Danish (models)	45R5959	1
Dutch (models)	45R5960	1
Czech (models)	45R5961	1
Finnish (models)	45R5962	1
Polish (models)	45R5963	1

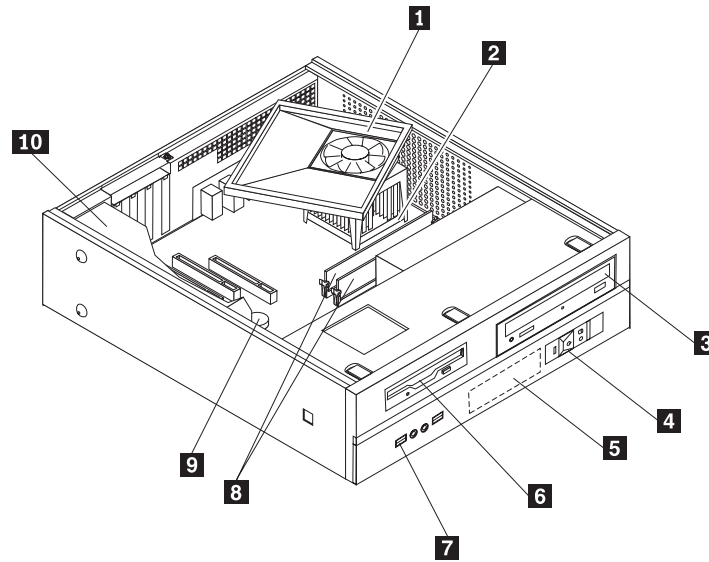
6086 Vista Ultimate 32 Recovery DVDs	FRU#	CRU
Russian (models)	45R5964	1
Turkish (models)	45R5965	1
Hungarian (models)	45R5966	1
Greek (models)	45R5967	1
Simplified Chinese (models)	45R5968	1
Traditional Chinese (models)	45R5969	1
Traditional Chinese (models)	45R5970	1
Korean (models)	45R5971	1
Slovenian (models)	45R5972	1
Hebrew (models)	45R5973	1
Portuguese (models)	45R5974	1
Slovakian (models)	45R5975	1
Arabic Localized (models)	45R5976	1

6086 XP Pro Recovery DVDs	FRU#	CRU
English (models)	45R8811	1
French (models)	45R8812	1
German (models)	45R8813	1
Spanish (models)	45R8814	1
Brazil (models)	45R8815	1
Italian (models)	45R8816	1
Japanese (models)	45R8817	1
Norwegian (models)	45R8818	1
Swedish (models)	45R8819	1
Danish (models)	45R8820	1
Dutch (models)	45R8821	1
Czech (models)	45R8822	1
Finnish (models)	45R8823	1
Hebrew (models)	45R8824	1
Polish (models)	45R8825	1
Arabic (models)	45R8826	1
Russian (models)	45R8827	1
Turkish (models)	45R8828	1
Hungarian (models)	45R8829	1
Greek (models)	45R8830	1
Simplified Chinese (models)	45R8831	1
Taiwan (models)	45R8832	1
HongKong (models)	45R8833	1
Korea (models)	45R8834	1
Russian English (models)	45R8835	1
Portuguese (models)	45R8836	1

6086 XP Pro Recovery DVDs	FRU#	CRU
Slovenian (models)	45R8837	1



# Machine Type 9012



Item #	9012 FRUs	FRU#	CRU
1	Heat Sink/RM Kit Intel (all models)	41R6022	2
2	Microprocessor, Core 2 Duo E6550 Processor 2.33GHz 1333MHz FSB 4M L2 (models A3Q A1K)	43C3833	N
2	Microprocessor, Core 2 Duo E6750 Processor 2.66GHz 1333MHz FSB 4M L2 G-0 Stepping Level, Mainstream/Value FMB, TXT support (models A2K)	43C1693	N
2	Microprocessor, Core 2 Duo E2220 Processor 2.4GHz 800MHz FSB 1M L2 65W (models)	45C1774	N
2	Microprocessor, Core 2 Duo E4700 Processor 2.6GHz 800MHz 2M 65W (models)	45R5786	N
2	Microprocessor, Core 2 Duo E6540 Processor 2.33GHz 1333MHz FSB 4M L2 (models CTO)	43C6307	N
2	Microprocessor, Q6600 KENTSFIELD G-0 8MB 4c LGA 2.4GHZ 1066FSB (models CTO)	43C1695	N
2	Microprocessor, Q6700 KENTSFIELD G-0 8MB 4c LGA 2.66GHZ 1066FSB (models CTO)	43C6309	N
2	Microprocessor, Core 2 Duo E4600 Processor 2.4GHz 800MHz FSB 2M L2 (models)	45C5282	N
2	Microprocessor, Core 2 Duo E2200 Processor 2.2GHz 800MHz FSB 1M L2 (models)	45C5349	N
2	Microprocessor, Core 2 Duo E8500 Processor 3.16GHz 1333MHz FSB 6M L2 (models CTO)	45C7735	N
2	Microprocessor, Core 2 Duo E8400 Processor 3.0GHz 1333MHz FSB 6M L2 (models)	45C7736	N
2	Microprocessor, Core 2 Duo E8300 Processor 2.83GHz 1333MHz FSB 6M L2 (models)	45C7737	N
2	Microprocessor, Core 2 Duo E8200 Processor 2.66GHz 1333MHz FSB 6M L2 (models)	45C7738	N
2	Microprocessor, Core2 Duo E8190 Processor 1333/2600MHz 6M L2 65W Non vPro (models)	45R2568	N
2	Microprocessor, Core 2 Duo E7200 Processor 2.53GHz 1066MHz 3M L2 65W (models)	45R8337	N

Item #	9012 FRUs	FRU#	CRU
2	Microprocessor, Dual Core E1400 Processor 2.0GHz 800MHz 512K L2 65W (models)	45R8339	N
2	Microprocessor, Dual Core E1200 Processor 1.6GHz 800MHz 512K (models)	45R8341	N
2	Microprocessor, Wolfdale Core 2 Duo E7300 Processor 2.66GHz 1066MHz FSB 3M L2 65W M0 Stepping (models)	46R1622	N
2	Microprocessor, Dual Core E1600 Processor 2.4GHz 800MHz 512K L2 65W M0 Stepping Level (models)	46R1655	N
2	Microprocessor, Core 2 Duo E2180 Processor 2.0GHz 800MHz FSB 1M L2 (models)	45C1773	N
3	DVD-RW/CD-RW Rambo 8 - SATA VISTA AND XP (models A1K)	43C1042	2
3	DVD-ROM/CD-RW Combo Drive - 48x/32x/48x/16x - SATA vista and XP (models A3Q A2K)	42Y9353	2
4	Front Power/LED PC, bracket, and cable (all models)	41N8213	2
5	Hard disk drive, 160GB (7200RPM), Serial ATA (models A3Q A2K)	40Y9035	2
5	Hard disk drive, 250GB (7200RPM), Serial ATA (models A1K)	40Y9036	2
6	Diskette drive, 3,5", 1.44MB, 2-mode, (w/bezel) (models)	40Y9105	2
6	Diskette drive, 3,5", 1.44MB, 2-mode, (w/bezel) (models)	40Y9107	2
7	Front USB/Audio with bracket (all models)	41N8212	2
8	Memory module, 1 GB PC2-5300 (667MHz) DDR2 SDRAM (models A3Q A1K A2K)	41X4256	2
9	System board, Saturn non AMT(GA) support 45nm processor (models)	45R5312	N
9	System board, Saturn AMT(GA) support 45nm processor (models A3Q A1K A2K)	45R5313	N
10	280 Watt DT Power Supply -Standard, Robust, JP (models A3Q A1K A2K)	41A9705	N

The FRUs listed in the following tables are not illustrated.

9012 FRUs	FRU#	CRU
Second Serial Port Cable, 250mm (all models)	42Y8008	2
Cable, diskette drive (all models)	41A7147	2
Hard disk drive fan and bracket asm (all models)	41R6325	2
Fan duct assembly (all models)	41R4808	2
Shield, EMC, blank 5.25 in. drive bay (all models)	41N8271	2
Shield, EMC, blank diskette drive bay (all models)	41N8273	2
Foot stand (all models)	41R4813	1
Rear USB 2Ports II LP (R), low profile I/O, 200mm, Rohs (all models)	42Y8006	2
System board shield (all models)	41R6108	N
Cover (all models)	41N8204	2
Mechanical shell kit (all models)	41R6223	N
Miscellaneous hardware kit (all models)	41N8209	2
Hard disk drive bracket assembly (plastic and grommets) (all models)	41N8210	2
Speaker cable assembly, 600 mm cable length (all models)	41N8217	2
Intrusion switch assembly (all models)	41R6208	2
Bezel kit, without IBM logo (all models)	41R6238	2
20-in-1 Card Reader (all models)	45R8139	2

9012 FRUs	FRU#	CRU
Temp Sense Cable (165 mm) (all models)	43N9079	2
Intel 65W/95W Heatsink Kit (all models)	41R6429	2

9012 Keyboards (USB Preferred - without hub)	FRU#	CRU Tier
US English (models A3Q)	41A5289	1
Korean (models A1K A2K)	41A5311	1

9012 Keyboards (Fingerprint Reader USB)	FRU#	CRU Tier
US English (models)	41A5248	1
Arabic (models)	41A5249	1
Arabic/French (models)	41A5250	1
Belgian/French (models)	41A5251	1
Belgian/UK (models)	41A5252	1
Brazil/Portuguese (models)	41A5253	1
Bulgarian (models)	41A5254	1
Chinese (models)	41A5255	1
Czech (models)	41A5256	1
Danish (models)	41A5257	1
Dutch (models)	41A5258	1
French (models)	41A5259	1
French Canadian 445 (models)	41A5260	1
French Canadian 58 (models)	41A5261	1
German (models)	41A5262	1
Greek (models)	41A5263	1
Greek/US (models)	41A5264	1
Hebrew (models)	41A5265	1
Hungarian (models)	41A5266	1
Iceland (models)	41A5267	1
Italian 141 (models)	41A5268	1
Japanese (models)	41A5269	1
Korean (models)	41A5270	1
LA Spanish (models)	41A5271	1
Norwegian (models)	41A5272	1
Polish (models)	41A5273	1
Portuguese (models)	41A5274	1
Romanian 096 (models)	41A5275	1
Romanian 446 (models)	41A5276	1
Russian/Cyrillic (models)	41A5277	1
Serbian/Cyrillic (models)	41A5278	1
Slovak (models)	41A5279	1
Spanish (models)	41A5280	1

<b>9012 Keyboards (Fingerprint Reader USB)</b>	<b>FRU#</b>	<b>CRU Tier</b>
Swedish/Finn (models)	41A5281	1
Swiss (models)	41A5282	1
Thailand (models)	41A5283	1
Turkish 440 (models)	41A5284	1
Turkish 179 (models)	41A5285	1
UK English (models)	41A5286	1
US Euro (models)	41A5287	1
Slovenian (models)	41A5288	1

<b>9012 mice</b>	<b>FRU#</b>	<b>CRU</b>
Optical Wheel Mouse (400DPI, USB) (models A3Q A1K A2K)	41U3013	1
Optical Wheel Mouse (400DPI, USB) models A3Q A1K A2K)	41U3030	1

<b>9012 Adapters and miscellaneous FRUs</b>	<b>FRU#</b>	<b>CRU</b>
IEEE 1394 Firewire Adapter (LP) (models CTO)	41D2781	2
Speaker Brick - Korea (models A1K A2K)	41A4903	1
Speaker Power brick - India, South Africa (models A3Q)	89P8585	1
ATI RV610 256M LP, PCIe x16, DMS59/S-Video (models)	64Y3999	2
ATI RV610 128M ATX, PCIe x16, DMS59/S-Video (models)	64Y3997	2
New Casper DVI-D card, low profile, support HDCP (models)	43C0258	2
Casper DVI-I card, low profile (models)	39J9334	2
USB2.0 MEMORY CARDREADER,6X2,ROHS, Slim (models CTO)	45R1883	2

<b>9012 Power Cords</b>	<b>FRU#</b>	<b>CRU Tier</b>
Line Cord - US (models)	41R3184	1
Line Cord - US (models)	41R3185	1
Line Cord - China (models)	41R3256	1
Line Cord - China (models)	41R3257	1
Line Cord - Brazil (models)	41R3270	1
Line Cord - Brazil (models)	41R3271	1
Line Cord - LA High Volt (APU) (models)	41R3176	1
Line Cord - LA High Volt (APU) (models)	41R3177	1
Line Cord - Korea (models A1K A2K)	41R3260	1
Line Cord - Korea (models A1K A2K)	41R3261	1
Line Cord - UK, Ireland, Singapore, Malaysia, Brunei (models)	41R3224	1
Line Cord - UK, Ireland, Singapore, Malaysia, Brunei (models)	41R3225	1
Line Cord - Taiwan (models)	41R3278	1
Line Cord - Taiwan (models)	41R3279	1
Line Cord - Italy (models)	41R3232	1
Line Cord - Italy (models)	41R3233	1
Line Cord - Indonesia, Laos, Cambodia, and Vietnam (models)	41R3208	1

9012 Power Cords	FRU#	CRU Tier
Line Cord - Indonesia, Laos, Cambodia, and Vietnam (models)	41R3209	1
Line Cord - Denmark (models)	41R3212	1
Line Cord - Denmark (models)	41R3213	1
Line Cord - Switzerland (models)	41R3228	1
Line Cord - Switzerland (models)	41R3229	1
Line Cord - Israel (models)	41R3236	1
Line Cord - Israel (models)	41R3237	1
Line Cord - South Africa (models)	41R3220	1
Line Cord - South Africa (models)	41R3221	1
Line Cord - India (models A3Q)	41R3341	1
Line Cord - India (models A3Q)	41R3175	1
Line Cord - Japan (models)	41R3248	1
Line Cord - Japan (models)	41R3249	1
Line Cord - ANZ (models)	41R3196	1
Line Cord - ANZ (models)	41R3197	1
Line Cord - Hong Kong (models)	41R3224	1
Line Cord - Hong Kong (models)	41R3225	1

9012 Windows XP Home Recovery CDs	FRU#	CRU
English (models CTO)	45R6005	1
French (models CTO)	45R6006	1
German (models CTO)	45R6007	1
Spanish (models CTO)	45R6008	1
Brazil (models CTO)	45R6009	1
Italian (models)	45R6010	1
Japanese (models)	45R6011	1
Norwegian (models CTO)	45R6012	1
Swedish (models CTO)	45R6013	1
Danish (models CTO)	45R6014	1
Dutch (models CTO)	45R6015	1
Czech (models CTO)	45R6016	1
Finnish (models CTO)	45R6017	1
Hebrew (models CTO)	45R6018	1
Polish (models CTO)	45R6019	1
Arabic (models CTO)	45R6020	1
Russian (models CTO)	45R6021	1
Turkish (models CTO)	45R6022	1
Hungarian (models CTO)	45R6023	1
Greek (models CTO)	45R6024	1
Simplified Chinese (models CTO)	45R6025	1
Taiwan (models CTO)	45R6026	1

9012 Windows XP Home Recovery CDs	FRU#	CRU
HongKong (models CTO)	45R6027	1
Korea (models CTO)	45R6028	1
Russian English (models CTO)	45R6029	1
Portuguese (models CTO)	45R6030	1

9012 Windows XP Pro Recovery CDs	FRU#	CRU
English (models A3Q)	45R5979	1
French (models)	45R5980	1
German (models)	45R5981	1
Spanish (models)	45R5982	1
Brazil (models)	45R5983	1
Italian (models)	45R5984	1
Japanese (models)	45R5985	1
Norwegian (models)	45R5986	1
Swedish (models)	45R5987	1
Danish (models)	45R5988	1
Dutch (models)	45R5989	1
Czech (models)	45R5990	1
Finnish (models)	45R5991	1
Hebrew (models)	45R5992	1
Polish (models)	45R5993	1
Arabic (models)	45R5994	1
Russian (models)	45R5995	1
Turkish (models)	45R5996	1
Hungarian (models)	45R5997	1
Greek (models)	45R5998	1
Simplified Chinese (models)	45R5999	1
Taiwan (models)	45R6000	1
HongKong (models)	45R6001	1
Korea (models A2K)	45R6002	1
Russian English (models)	45R6003	1
Portuguese (models)	45R6004	1
MUL 1 - EN, NL, FR, GR, IT (models)	45R5977	1
MUL 2 - EN, DK, FI, NO, SV (models)	45R5978	1

9012 Vista Home Basic 32 Recovery DVDs	FRU#	CRU
English (models)	46R7098	1
Russian English (models CTO)	46R7099	1
French (models CTO)	46R7100	1
German (models CTO)	46R7101	1
Spanish (models CTO)	46R7102	1

<b>9012 Vista Home Basic 32 Recovery DVDs</b>	<b>FRU#</b>	<b>CRU</b>
Brazilian (models CTO)	46R7103	1
Italian (models CTO)	46R7104	1
Japanese (models)	46R7105	1
Norwegian (models CTO)	46R7106	1
Swedish (models CTO)	46R1086	1
Danish (models CTO)	46R7107	1
Dutch (models CTO)	46R1088	1
Czech (models CTO)	46R1089	1
Finnish (models CTO)	46R1090	1
Polish (models CTO)	46R1091	1
Russian (models CTO)	46R7108	1
Turkish (models CTO)	46R1093	1
Hungarian (models CTO)	46R1094	1
Greek (models CTO)	46R1095	1
Simplified Chinese (models CTO)	46R7109	1
Taiwan (models CTO)	46R7110	1
HongKong (models CTO)	46R7111	1
Korea (models)	46R1099	1
Slovenian (models CTO)	46R1100	1
Hebrew (models CTO)	46R1101	1
Portuguese (models CTO)	46R1102	1
Arabic Localized (models CTO)	46R1103	1
Slovakia (models CTO)	46R1104	1

<b>9012 Vista Business 32 Recovery DVDs</b>	<b>FRU#</b>	<b>CRU</b>
English (models A3Q)	46R7070	1
Russian English (models)	46R7071	1
French (models)	46R7072	1
German (models)	46R7073	1
Spanish (models)	46R7074	1
Brazilian (models)	46R7075	1
Italian (models)	46R7076	1
Japanese (models)	46R7077	1
Norwegian (models)	46R7078	1
Swedish (models)	46R1028	1
Danish (models )	46R7079	1
Dutch (models)	46R1030	1
Czech (models)	46R1031	1
Finnish (models)	46R1032	1
Polish (models)	46R1033	1
Russian (models)	46R7080	1

9012 Vista Business 32 Recovery DVDs	FRU#	CRU
Turkish (models)	46R1035	1
Hungarian (models)	46R1036	1
Greek (models)	46R1037	1
Simplified Chinese (models)	46R7081	1
Traditional Chinese (models)	46R7082	1
Traditional Chinese (models)	46R7083	1
Korean (models A2K)	46R1041	1
Slovenian (models)	46R1042	1
Romanian (models )	46R1043	1
Portuguese (models)	46R1044	1
Sebian-Latin (models)	46R1045	1
Slovakian (models)	46R1046	1
Arabic Localized (models)	46R1047	1
Hebrew (models)	46R1048	1

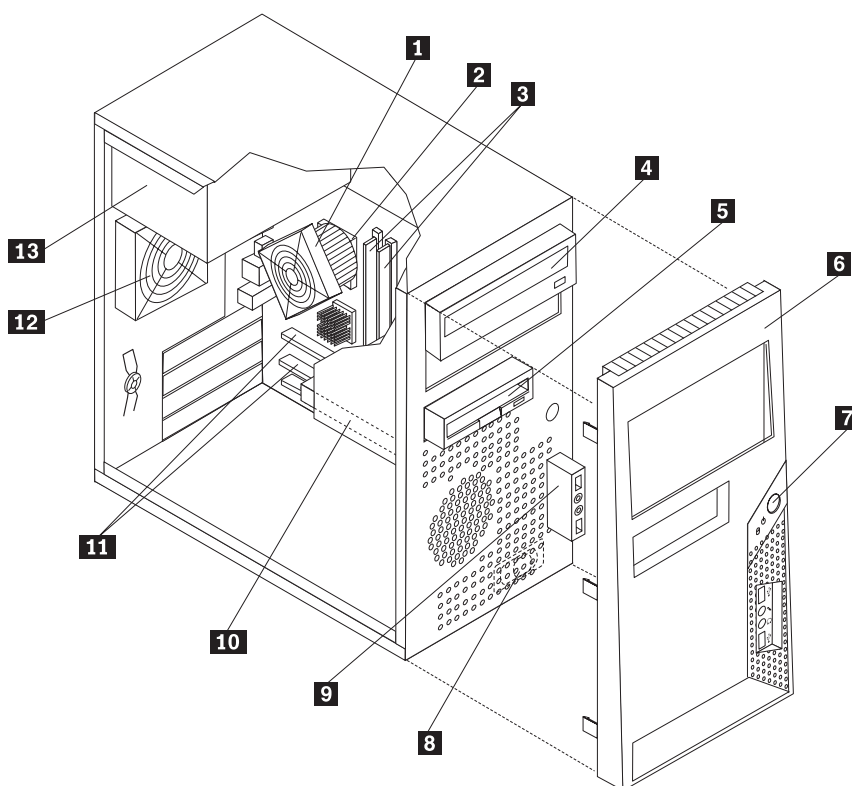
9012 Vista Ultimate 32 Recovery DVDs	FRU#	CRU
English (models)	45R5949	1
Russian English (models)	45R5950	1
French (models)	45R5951	1
German (models)	45R5952	1
Spanish (models)	45R5953	1
Brazilian (models)	45R5954	1
Italian (models)	45R5955	1
Japanese (models)	45R5956	1
Norwegian (models)	45R5957	1
Swedish (models)	45R5958	1
Danish (models)	45R5959	1
Dutch (models)	45R5960	1
Czech (models)	45R5961	1
Finnish (models)	45R5962	1
Polish (models)	45R5963	1
Russian (models)	45R5964	1
Turkish (models)	45R5965	1
Hungarian (models)	45R5966	1
Greek (models)	45R5967	1
Simplified Chinese (models)	45R5968	1
Traditional Chinese (models)	45R5969	1
Traditional Chinese (models)	45R5970	1
Korean (models)	45R5971	1
Slovenian (models)	45R5972	1
Hebrew (models)	45R5973	1



9012 Vista Ultimate 32 Recovery DVDs	FRU#	CRU
Portuguese (models)	45R5974	1
Slovakian (models)	45R5975	1
Arabic Localized (models)	45R5976	1

9012 XP Pro Recovery DVDs	FRU#	CRU
English (models)	45R8811	1
French (models)	45R8812	1
German (models)	45R8813	1
Spanish (models)	45R8814	1
Brazil (models)	45R8815	1
Italian (models)	45R8816	1
Japanese (models)	45R8817	1
Norwegian (models)	45R8818	1
Swedish (models)	45R8819	1
Danish (models)	45R8820	1
Dutch (models)	45R8821	1
Czech (models)	45R8822	1
Finnish (models)	45R8823	1
Hebrew (models)	45R8824	1
Polish (models)	45R8825	1
Arabic (models)	45R8826	1
Russian (models)	45R8827	1
Turkish (models)	45R8828	1
Hungarian (models)	45R8829	1
Greek (models)	45R8830	1
Simplified Chinese (models)	45R8831	1
Taiwan (models)	45R8832	1
HongKong (models)	45R8833	1
Korea (models)	45R8834	1
Russian English (models)	45R8835	1
Portuguese (models)	45R8836	1
Slovenian (models)	45R8837	1

## Machine Type 9013



Item #	9013 FRUs	FRU#	CRU Tier
1	Intel 65W/95w heatsink (all models)	43N9309	2
2	Microprocessor, Core 2 Duo E6550 Processor 2.33GHz 1333MHz FSB 4M L2 (models A3A A3Q A3T A1K)	43C3833	N
2	Microprocessor, Core 2 Duo E6850 Processor 3GHz 1333MHz FSB 4M L2 G-0 Stepping Level, Mainstream/Value FMB, TXT support (models A4V)	43C1694	N
2	Microprocessor, Core 2 Duo E2220 Processor 2.4GHz 800MHz FSB 1M L2 65W (models)	45C1774	N
2	Microprocessor, Core 2 Duo E4700 Processor 2.6GHz 800MHz 2M 65W (models)	45R5786	N
2	Microprocessor, Core 2 Duo E6540 Processor 2.33GHz 1333MHz FSB 4M L2 (models CTO)	43C6307	N
2	Microprocessor, Q6600 KENTSFIELD G-0 8MB 4c LGA 2.4GHZ 1066FSB G-0 Stepping Level, 95W (models CTO)	43C1695	N
2	Microprocessor, Q6700 KENTSFIELD G-0 8MB 4c LGA G-0 Stepping Level, 95W 2.66GHZ 1066FSB (models CTO)	43C6309	N
2	Microprocessor, Core 2 Duo E4600 Processor 2.4GHz 800MHz FSB 2M L2 M-0 Stepping Level, Mainstream/Value FMB (models)	45C5282	N
2	Microprocessor, Core 2 Duo E2200 Processor 2.2GHz 800MHz FSB 1M L2 M-0 Stepping Level, Mainstream/Value FMB (models)	45C5349	N
2	Microprocessor, Core 2 Duo E8500 Processor 3.16GHz 1333MHz FSB 6M L2 65W (models CTO)	45C7735	N
2	Microprocessor, Core 2 Duo E8400 Processor 3.0GHz 1333MHz FSB 6M L2 65W (models)	45C7736	N

Item #	9013 FRUs	FRU#	CRU Tier
2	Microprocessor, Core 2 Duo E8300 Processor 2.83GHz 1333MHz FSB 6M L2 65W (models)	45C7737	N
2	Microprocessor, Core 2 Duo E8200 Processor 2.66GHz 1333MHz FSB 6M L2 65W (models)	45C7738	N
2	Microprocessor, Core2 Duo E8190 Processor 1333/2600MHz 6M L2 65W Non vPro (models)	45R2568	N
2	Microprocessor, Core 2 Duo E7200 Processor 2.53GHz 1066MHz 3M L2 65W (models)	45R8337	N
2	Microprocessor, Dual Core E1400 Processor 2.0GHz 800MHz 512K L2 65W (models)	45R8339	N
2	Microprocessor, Dual Core E1200 Processor 1.6GHz 800MHz 512K (models)	45R8341	N
2	Microprocessor, Wolfdale Core 2 Duo E7300 Processor 2.66GHz 1066MHz FSB 3M L2 65W M0 Stepping (models)	46R1622	N
2	Microprocessor, Dual Core E1600 Processor 2.4GHz 800MHz 512K L2 65W M0 Stepping Level (models)	46R1655	N
2	Microprocessor, Core 2 Duo E2180 Processor 2.0GHz 800MHz FSB 1M L2 (models)	45C1773	N
3	Memory module, 1 GB PC2-5300 (667MHz) DDR2 SDRAM (models A3A A3Q A3T A1K A4V)	41X4256	2
4	DVD-ROM/CD-RW Combo Drive - 48x/32x/48x/16x - SATA vista and XP (models A3A A3Q A3T A1K)	42Y9353	2
4	DVD-RW/CD-RW Rambo 8 - SATA VISTA AND XP (models A4V)	43C1042	2
5	Diskette drive, 3,5", 1.44MB, 3Mode,(w/bezel) (models)	40Y9105	2
5	Diskette drive, 3,5", 1.44MB, 3Mode,(w/bezel) (models)	40Y9107	2
5	Diskette drive, 3,5", 1.44MB, 3Mode,(w/bezel) (models)	40Y9113	2
6	Bezel assembly (all models)	41N8052	2
7	Power switch/LED assembly (all models)	41N5284	2
8	Speaker assembly, soldered terminals (models)	39P5023	2
9	Front audio/USB assembly (all models)	41N8054	2
10	Hard disk drive, 80GB (7200RPM), Serial ATA (models A3A A3Q A3T)	40Y9034	2
10	Hard disk drive, 160GB (7200RPM), Serial ATA (models A1K A4V)	40Y9035	2
11	System board, Tamdhu II - Saturn non AMT(GA) support 45nm processor (Hard from 45R5312) (models)	46R1842	N
11	System board, Tamdhu II - Saturn AMT(GA) support 45nm processor (Hard from 45R5313) (models A3A A3Q A3T A1K A4V)	46R1843	N
12	Fan, Rear w/ grommets & Grill (all models)	41R6046	2
13	Power supply, 280 Watt ATX Power Supply - Standard, Robust (models A3A A3T A1K A2K A3Q)	41A9684	2

The FRUs listed in the following tables are not illustrated.

9013 FRUs	FRU#	CRU Tier
Shield, 5.25 EMC (all models)	41N8080	2
Shield, diskette drive EMC (all models)	41N8078	2
Cable, Diskette drive (RoHs) (all models)	41A7182	2
Kit, Miscellaneous hardware (all models)	41N8055	2

9013 FRUs	FRU#	CRU Tier
Retainer, Card Reader (all models)	41R2913	2
Optional HDD Bracket Asm, without 4Pin cable (all models)	41R6106	2
Intrusion Switch asm (all models)	41R6116	2
Bezel, without IBM mark (all models)	41R6243	2
Cover, left side (all models)	41N8050	1
Chassis without IBM mark (all models)	41R6241	N
Hard disk drive tray (all models)	41R6291	N
Fan, front (all models)	41R4791	2
SATA cable,457mm,1 latching for device,RoHS (all models)	43N9013	2
SATA cable,250mm,1 latching for device,RoHS (all models)	43N9012	2
Fru-Cable, Temp Sense Cable (460mm) (all models)	41R2509	2
FRU - Blank 5.25" Bezel (all models)	41N8077	2

9013 Keyboards (Fingerprint Reader USB)	FRU#	CRU Tier
US English (models)	41A5248	1
Arabic (models)	41A5249	1
Arabic/French (models)	41A5250	1
Belgian/French (models)	41A5251	1
Belgian/UK (models)	41A5252	1
Brazil/Portuguese (models)	41A5253	1
Bulgarian (models)	41A5254	1
Chinese (models)	41A5255	1
Czech (models)	41A5256	1
Danish (models)	41A5257	1
Dutch (models)	41A5258	1
French (models)	41A5259	1
French Canadian 445 (models)	41A5260	1
French Canadian 58 (models)	41A5261	1
German (models)	41A5262	1
Greek (models)	41A5263	1
Greek/US (models)	41A5264	1
Hebrew (models)	41A5265	1
Hungarian (models)	41A5266	1
Iceland (models)	41A5267	1
Italian 141 (models)	41A5268	1
Japanese (models)	41A5269	1
Korean (models)	41A5270	1
LA Spanish (models)	41A5271	1
Norwegian (models)	41A5272	1
Polish (models)	41A5273	1
Portuguese (models)	41A5274	1

<b>9013 Keyboards (Fingerprint Reader USB)</b>	<b>FRU#</b>	<b>CRU Tier</b>
Romanian 096 (models)	41A5275	1
Romanian 446 (models)	41A5276	1
Russian/Cyrillic (models)	41A5277	1
Serbian/Cyrillic (models)	41A5278	1
Slovak (models)	41A5279	1
Spanish (models)	41A5280	1
Swedish/Finn (models)	41A5281	1
Swiss (models)	41A5282	1
Thailand (models)	41A5283	1
Turkish 440 (models)	41A5284	1
Turkish 179 (models)	41A5285	1
UK English (models)	41A5286	1
US Euro (models)	41A5287	1
Slovenian (models)	41A5288	1

<b>9013 mice</b>	<b>FRU#</b>	<b>CRU Tier</b>
Optical Wheel Mouse (400DPI, USB) (models A3A A3Q A3T A1K A4V)	41U3013	1
Optical Wheel Mouse (400DPI, USB) (models A3A A3Q A3T A1K A4V)	41U3030	1

<b>9013 Adapters and miscellaneous FRUs</b>	<b>FRU#</b>	<b>CRU</b>
IEEE 1394 Firewire Adapter (ATX) (models CTO)	41D2781	2
Speaker Power brick - US, Canada, LA low voltage, ASEAN (models A2A)	89P8571	1
Speaker Brick - Korea (models A1K)	41A4903	1
Speaker Brick - Taiwan (models A4V)	41A4905	1
Speaker Power brick - India, South Africa (models A3Q)	89P8585	1
ATI RV610 256M LP, PCIe x16, DMS59/S-Video (models)	46R4160	2
ATI RV610 128M ATX, PCIe x16, DMS59/S-Video (models)	46R4159	2
ATI HD 2600XT(RV630XT) 512MB 128BIT ATX, PCIe x16, Dual DVI-I/S-Video (models CTO)	43C0261	2
DVI-VGA Dongle (models CTO)	45C7816	1
USB2.0 MEMORY CARDREADER,6X2,ROHS (models CTO)	45R1883	2
ODD/FDD/Cardreader Retainers (all models)	43N9351	2
20-in-1 Card Reader (all models)	45R8139	2
Temp Sense Cable (165 mm) (all models)	43N9079	2

<b>9013 Power Cords</b>	<b>FRU#</b>	<b>CRU Tier</b>
Line Cord - US (models A3A A3T)	41R3184	1
Line Cord - US (models A3A A3T)	41R3185	1
Line Cord - China (models)	41R3256	1
Line Cord - China (models)	41R3257	1
Line Cord - Brazil (models)	41R3270	1

9013 Power Cords	FRU#	CRU Tier
Line Cord - Brazil (models)	41R3271	1
Line Cord - LA High Volt (APU) (models)	41R3176	1
Line Cord - LA High Volt (APU) (models)	41R3177	1
Line Cord - Korea (models A1K)	41R3260	1
Line Cord - Korea (models A1K)	41R3261	1
Line Cord - UK, Ireland, Singapore, Malaysia, Brunei (models A3A)	41R3224	1
Line Cord - UK, Ireland, Singapore, Malaysia, Brunei (models A3A)	41R3225	1
Line Cord - Taiwan (models A4V)	41R3278	1
Line Cord - Taiwan (models A4V)	41R3279	1
Line Cord - Italy (models)	41R3232	1
Line Cord - Italy (models)	41R3233	1
Line Cord - Indonesia, Laos, Cambodia, and Vietnam (models A3A)	41R3208	1
Line Cord - Indonesia, Laos, Cambodia, and Vietnam (models A3A)	41R3209	1
Line Cord - Denmark (models)	41R3212	1
Line Cord - Denmark (models)	41R3213	1
Line Cord - Switzerland (models)	41R3228	1
Line Cord - Switzerland (models)	41R3229	1
Line Cord - Israel (models)	41R3236	1
Line Cord - Israel (models)	41R3237	1
Line Cord - South Africa (models A3A)	41R3220	1
Line Cord - South Africa (models A3A)	41R3221	1
Line Cord - India (models A3Q)	41R3341	1
Line Cord - India (models A3Q)	41R3175	1
Line Cord - Japan (models)	41R3248	1
Line Cord - Japan (models)	41R3249	1
Line Cord - ANZ (models)	41R3196	1
Line Cord - ANZ (models)	41R3197	1
Line Cord - Hong Kong (models)	41R3224	1
Line Cord - Hong Kong (models)	41R3225	1

9013 Windows XP Home Recovery CDs	FRU#	CRU
English (models CTO)	45R6005	1
French (models CTO)	45R6006	1
German (models CTO)	45R6007	1
Spanish (models CTO)	45R6008	1
Brazil (models CTO)	45R6009	1
Italian (models)	45R6010	1
Japanese (models)	45R6011	1
Norwegian (models CTO)	45R6012	1
Swedish (models CTO)	45R6013	1
Danish (models CTO)	45R6014	1

9013 Windows XP Home Recovery CDs	FRU#	CRU
Dutch (models CTO)	45R6015	1
Czech (models CTO)	45R6016	1
Finnish (models CTO)	45R6017	1
Hebrew (models CTO)	45R6018	1
Polish (models CTO)	45R6019	1
Arabic (models CTO)	45R6020	1
Russian (models CTO)	45R6021	1
Turkish (models CTO)	45R6022	1
Hungarian (models CTO)	45R6023	1
Greek (models CTO)	45R6024	1
Simplified Chinese (models CTO)	45R6025	1
Taiwan (models CTO)	45R6026	1
HongKong (models CTO)	45R6027	1
Korea (models CTO)	45R6028	1
Russian English (models CTO)	45R6029	1
Portuguese (models CTO)	45R6030	1

9013 Windows XP Pro Recovery CDs	FRU#	CRU
English (models A3A A3Q A5U A5G A5M A5A A5Q A5H A5R A5E A6U A7U A7G A7M A7A A7Q A7H A7R A7E A5U A5G A5M A5A A5Q A5H A5R A5E A6U A7U A7G A7M A7A A7Q A7H A7R A7E)	45R5979	1
French (models)	45R5980	1
German (models)	45R5981	1
Spanish (models)	45R5982	1
Brazil (models)	45R5983	1
Italian (models)	45R5984	1
Japanese (models)	45R5985	1
Norwegian (models)	45R5986	1
Swedish (models)	45R5987	1
Danish (models)	45R5988	1
Dutch (models)	45R5989	1
Czech (models)	45R5990	1
Finnish (models)	45R5991	1
Hebrew (models)	45R5992	1
Polish (models)	45R5993	1
Arabic (models)	45R5994	1
Russian (models)	45R5995	1
Turkish (models)	45R5996	1
Hungarian (models)	45R5997	1
Greek (models)	45R5998	1
Simplified Chinese (models)	45R5999	1

9013 Windows XP Pro Recovery CDs	FRU#	CRU
Taiwan (models)	45R6000	1
HongKong (models)	45R6001	1
Korea (models)	45R6002	1
Russian English (models)	45R6003	1
Portuguese (models)	45R6004	1
MUL 1 - EN, NL, FR, GR, IT (models)	45R5977	1
MUL 2 - EN, DK, FI, NO, SV (models)	45R5978	1

9013 Vista Home Basic 32 Recovery DVDs	FRU#	CRU
English (models)	46R7098	1
Russian English (models CTO)	46R7099	1
French (models CTO)	46R7100	1
German (models CTO)	46R7101	1
Spanish (models CTO)	46R7102	1
Brazilian (models CTO)	46R7103	1
Italian (models CTO)	46R7104	1
Japanese (models)	46R7105	1
Norwegian (models CTO)	46R7106	1
Swedish (models CTO)	46R1086	1
Danish (models CTO)	46R7107	1
Dutch (models CTO)	46R1088	1
Czech (models CTO)	46R1089	1
Finnish (models CTO)	46R1090	1
Polish (models CTO)	46R1091	1
Russian (models CTO)	46R7108	1
Turkish (models CTO)	46R1093	1
Hungarian (models CTO)	46R1094	1
Greek (models CTO)	46R1095	1
Simplified Chinese (models CTO)	46R7109	1
Taiwan (models CTO)	46R7110	1
HongKong (models CTO)	46R7111	1
Korea (models A1K)	46R1099	1
Slovenian (models CTO)	46R1100	1
Hebrew (models CTO)	46R1101	1
Portuguese (models CTO)	46R1102	1
Arabic Localized (models CTO)	46R1103	1
Slovakia (models CTO)	46R1104	1

9013 Vista Business 32 Recovery DVDs	FRU#	CRU
English (models A3A A3Q)	46R7070	1
Russian English (models)	46R7071	1



9013 Vista Business 32 Recovery DVDs	FRU#	CRU
French (models)	46R7072	1
German (models)	46R7073	1
Spanish (models)	46R7074	1
Brazilian (models)	46R7075	1
Italian (models)	46R7076	1
Japanese (models)	46R7077	1
Norwegian (models)	46R7078	1
Swedish (models)	46R1028	1
Danish (models )	46R7079	1
Dutch (models)	46R1030	1
Czech (models)	46R1031	1
Finnish (models)	46R1032	1
Polish (models)	46R1033	1
Russian (models)	46R7080	1
Turkish (models)	46R1035	1
Hungarian (models)	46R1036	1
Greek (models)	46R1037	1
Simplified Chinese (models)	46R7081	1
Traditional Chinese (models A4V)	46R7082	1
Traditional Chinese (models A4V)	46R7083	1
Korean (models)	46R1041	1
Slovenian (models)	46R1042	1
Romanian (models )	46R1043	1
Portuguese (models)	46R1044	1
Sebian-Latin (models)	46R1045	1
Slovakian (models)	46R1046	1
Arabic Localized (models)	46R1047	1
Hebrew (models)	46R1048	1

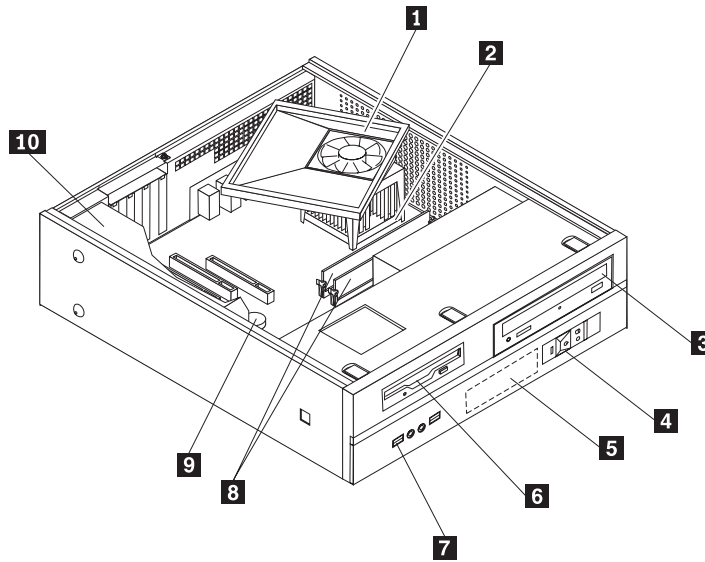
9013 Vista Ultimate 32 Recovery DVDs	FRU#	CRU
English (models)	45R5949	1
Russian English (models)	45R5950	1
French (models)	45R5951	1
German (models)	45R5952	1
Spanish (models)	45R5953	1
Brazilian (models)	45R5954	1
Italian (models)	45R5955	1
Japanese (models)	45R5956	1
Norwegian (models)	45R5957	1
Swedish (models)	45R5958	1
Danish (models)	45R5959	1

9013 Vista Ultimate 32 Recovery DVDs	FRU#	CRU
Dutch (models)	45R5960	1
Czech (models)	45R5961	1
Finnish (models)	45R5962	1
Polish (models)	45R5963	1
Russian (models)	45R5964	1
Turkish (models)	45R5965	1
Hungarian (models)	45R5966	1
Greek (models)	45R5967	1
Simplified Chinese (models)	45R5968	1
Traditional Chinese (models)	45R5969	1
Traditional Chinese (models)	45R5970	1
Korean (models)	45R5971	1
Slovenian (models)	45R5972	1
Hebrew (models)	45R5973	1
Portuguese (models)	45R5974	1
Slovakian (models)	45R5975	1
Arabic Localized (models)	45R5976	1

9013 XP Pro Recovery DVDs	FRU#	CRU
English (models)	45R8811	1
French (models)	45R8812	1
German (models)	45R8813	1
Spanish (models)	45R8814	1
Brazil (models)	45R8815	1
Italian (models)	45R8816	1
Japanese (models)	45R8817	1
Norwegian (models)	45R8818	1
Swedish (models)	45R8819	1
Danish (models)	45R8820	1
Dutch (models)	45R8821	1
Czech (models)	45R8822	1
Finnish (models)	45R8823	1
Hebrew (models)	45R8824	1
Polish (models)	45R8825	1
Arabic (models)	45R8826	1
Russian (models)	45R8827	1
Turkish (models)	45R8828	1
Hungarian (models)	45R8829	1
Greek (models)	45R8830	1
Simplified Chinese (models)	45R8831	1
Taiwan (models)	45R8832	1

9013 XP Pro Recovery DVDs	FRU#	CRU
HongKong (models)	45R8833	1
Korea (models)	45R8834	1
Russian English (models)	45R8835	1
Portuguese (models)	45R8836	1
Slovenian (models)	45R8837	1

## Machine Type 9018



Item #	9018 FRUs	FRU#	CRU
1	Heat Sink/RM Kit Intel (all models)	41R6022	2
2	Microprocessor, Core 2 Duo E6750 Processor 2.66GHz 1333MHz FSB 4M L2 G-0 Stepping Level, Mainstream/Value FMB, TXT support (models CTO)	43C1694	N
2	Microprocessor, Core 2 Duo E2220 Processor 2.4GHz 800MHz FSB 1M L2 65W (models CTO)	45C1774	N
2	Microprocessor, Core 2 Duo E4700 Processor 2.6GHz 800MHz 2M 65W (models CTO)	45R5786	N
2	Microprocessor, Core 2 Duo E6540 Processor 2.33GHz 1333MHz FSB 4M L2 (models CTO)	43C6307	N
2	Microprocessor, Q6600 KENTSFIELD G-0 8MB 4c LGA 2.4GHZ 1066FSB (models CTO)	43C1695	N
2	Microprocessor, Q6700 KENTSFIELD G-0 8MB 4c LGA 2.66GHZ 1066FSB (models CTO)	43C6309	N
2	Microprocessor, Core 2 Duo E4600 Processor 2.4GHz 800MHz FSB 2M L2 (models CTO)	45C5282	N
2	Microprocessor, Core 2 Duo E2200 Processor 2.2GHz 800MHz FSB 1M L2 (models CTO)	45C5349	N
2	Microprocessor, Core 2 Duo E8500 Processor 3.16GHz 1333MHz FSB 6M L2 (models CTO)	45C7735	N
2	Microprocessor, Core 2 Duo E8400 Processor 3.0GHz 1333MHz FSB 6M L2 (models CTO)	45C7736	N
2	Microprocessor, Core 2 Duo E8300 Processor 2.83GHz 1333MHz FSB 6M L2 (models CTO)	45C7737	N
2	Microprocessor, Core 2 Duo E8200 Processor 2.66GHz 1333MHz FSB 6M L2 (models CTO)	45C7738	N
2	Microprocessor, Core2 Duo E8190 Processor 1333/2600MHz 6M L2 65W Non vPro (models CTO)	45R2568	N
2	Microprocessor, Core 2 Duo E7200 Processor 2.53GHz 1066MHz 3M L2 65W (models CTO)	45R8337	N

Item #	9018 FRUs	FRU#	CRU
2	Microprocessor, Dual Core E1400 Processor 2.0GHz 800MHz 512K L2 65W (models CTO)	45R8339	N
2	Microprocessor, Dual Core E1200 Processor 1.6GHz 800MHz 512K (models CTO)	45R8341	N
2	Microprocessor, Wolfdale Core 2 Duo E7300 Processor 2.66GHz 1066MHz FSB 3M L2 65W M0 Stepping (models CTO)	46R1622	N
2	Microprocessor, Dual Core E1600 Processor 2.4GHz 800MHz 512K L2 65W M0 Stepping Level (models CTO)	46R1655	N
2	Microprocessor, Core 2 Duo E2180 Processor 2.0GHz 800MHz FSB 1M L2 (models CTO)	45C1773	N
3	DVD-ROM Drive - 16x/48x - SATA XP and Vista (models CTO)	41N3325	2
3	DVD-ROM/CD-RW Combo Drive - 48x/32x/48x/16x - SATA vista and XP (models CTO)	42Y9353	2
4	Front Power/LED PC, bracket, and cable (all models)	41N8213	2
5	Hard disk drive, 160GB (7200RPM), Serial ATA (models CTO)	40Y9035	2
6	Diskette drive, 3,5", 1.44MB, 2-mode, (w/bezel) (models CTO)	40Y9105	2
6	Diskette drive, 3,5", 1.44MB, 2-mode, (w/bezel) (models CTO)	40Y9107	2
7	Front USB/Audio with bracket (all models)	41N8212	2
8	Memory module, 512 MB PC2-5300 (667MHz) DDR2 SDRAM (models CTO)	41X4255	2
9	System board, Saturn non AMT(GA) support 45nm processor (models CTO)	45R5312	N
9	System board, Saturn AMT(GA) support 45nm processor (models CTO)	45R5313	N
10	280 Watt DT Power Supply -Standard, Robust, JP (models CTO)	41A9705	N

The FRUs listed in the following tables are not illustrated.

9018 FRUs	FRU#	CRU
Second Serial Port Cable, 250mm (all models)	42Y8008	2
Cable, diskette drive (all models)	41A7147	2
Hard disk drive fan and bracket asm (all models)	41R6325	2
Fan duct assembly (all models)	41R4808	2
Shield, EMC, blank 5.25 in. drive bay (all models)	41N8271	2
Shield, EMC, blank diskette drive bay (all models)	41N8273	2
Foot stand (all models)	41R4813	1
Rear USB 2Ports II LP (R), low profile I/O, 200mm, Rohs (all models)	42Y8006	2
System board shield (all models)	41R6108	N
Cover (all models)	41N8204	2
Mechanical shell kit (all models)	41R6223	N
Miscellaneous hardware kit (all models)	41N8209	2
Hard disk drive bracket assembly (plastic and grommets) (all models)	41N8210	2
Speaker cable assembly, 600 mm cable length (all models)	41N8217	2
Intrusion switch assembly (all models)	41R6208	2
Bezel kit, without IBM logo (all models)	41R6238	2
20-in-1 Card Reader (all models)	45R8139	2
Temp Sense Cable (165 mm) (all models)	43N9079	2

9018 FRUs	FRU#	CRU
Intel 65W/95W Heatsink Kit (all models)	41R6429	2

9018 Keyboards (USB Preferred - without hub)	FRU#	CRU Tier
US English (models CTO)	41A5289	1
Arabic (models CTO)	41A5290	1
Arabic/French (models CTO)	41A5291	1
Belgian/French (models CTO)	41A5292	1
Belgian/UK (models CTO)	41A5293	1
Bulgarian (models CTO)	41A5295	1
Chinese/US (models CTO)	41A5296	1
Czech (models CTO)	41A5297	1
Danish (models CTO)	41A5298	1
Dutch (models CTO)	41A5299	1
French (models CTO)	41A5300	1
German (models CTO)	41A5303	1
Greek (models CTO)	41A5304	1
Greek/US (models CTO)	41A5305	1
Hebrew (models CTO)	41A5306	1
Hungarian (models CTO)	41A5307	1
Iceland (models CTO)	41A5308	1
Japanese (models CTO)	41A5310	1
Korean (models CTO)	41A5311	1
Italian 141 (models CTO)	41A5309	1
Norwegian (models CTO)	41A5313	1
Polish (models CTO)	41A5314	1
Portuguese (models CTO)	41A5315	1
Romanian 096 (models CTO)	41A5317	1
Romanian 446 (models CTO)	41A5316	1
Russian/Cyrillic (models CTO)	41A5318	1
Serbian/Cyrillic (models CTO)	41A5319	1
Slovak (models CTO)	41A5320	1
Spanish (models CTO)	41A5321	1
Swedish/Finn (models CTO)	41A5322	1
Swiss (models CTO)	41A5323	1
Thailand (models CTO)	41A5324	1
Turkish 440 (models CTO)	41A5325	1
Turkish 179 (models CTO)	41A5326	1
UK English (models CTO)	41A5327	1
US Euro (models CTO)	41A5328	1
Slovenian (models CTO)	41A5329	1

9018 Keyboards (Preferred Pro Fingerprint Reader USB)	FRU#	CRU
US English (models CTO)	41A5248	1
Arabic (models CTO)	41A5249	1
Arabic/French (models CTO)	41A5250	1
Belgian/French (models CTO)	41A5251	1
Belgian/UK (models CTO)	41A5252	1
Brazil/Portuguese (models CTO)	41A5253	1
Bulgarian (models CTO)	41A5254	1
Czech (models CTO)	41A5256	1
Danish (models CTO)	41A5257	1
Dutch (models CTO)	41A5258	1
French (models CTO)	41A5259	1
French Canadian 445 (models CTO)	41A5260	1
French Canadian 58 (models CTO)	41A5261	1
German (models CTO)	41A5262	1
Greek (models CTO)	41A5263	1
Greek/US (models CTO)	41A5264	1
Hebrew (models CTO)	41A5265	1
Hungarian (models CTO)	41A5266	1
Iceland (models CTO)	41A5267	1
Italian 141 (models CTO)	41A5268	1
Japanese (models CTO)	41A5269	1
Korean (models CTO)	41A5270	1
LA/Spanish (models CTO)	41A5271	1
Norwegian (models CTO)	41A5272	1
Polish (models CTO)	41A5273	1
Portuguese (models CTO)	41A5274	1
Romanian 096 (models CTO)	41A5275	1
Romanian 446 (models CTO)	41A5276	1
Russian/Cyrillic (models CTO)	41A5277	1
Serbian/Cyrillic (models CTO)	41A5278	1
Slovak (models CTO)	41A5279	1
Spanish (models CTO)	41A5280	1
Swedish/Finn (models CTO)	41A5281	1
Swiss (models CTO)	41A5282	1
Swiss (models CTO)	41A5283	1
Turkish 440 (models CTO)	41A5284	1
Turkish 179 (models CTO)	41A5285	1
UK English (models CTO)	41A5286	1
US Euro (models CTO)	41A5287	1
Slovenian (models CTO)	41A5288	1

9018 mice	FRU#	CRU
Optical Wheel Mouse (400DPI, USB) (models CTO)	41U3013	1
Optical Wheel Mouse (400DPI, USB) (models CTO)	41U3030	1
PS/2 2 Button Ball Mouse (models CTO)	41R0018	1

9018 Adapters and miscellaneous FRUs	FRU#	CRU
IEEE 1394 Firewire Adapter (LP) (models CTO)	41D2781	2
PCI Modem Card (Soft) (models CTO)	29R9729	2
L1 IEEE 1394 PCI Adapter (models CTO)	41D2781	2
Dongle Cable - DMS59 to dual VGA (included in Denver L1) (models CTO)	42Y8181	1
Dongle DMS Dule DMS-59 to dual DVI cable (models CTO)	41X6398	1
Dongle DMS Dule DMS-59 to single VGA and single DVI cable (models CTO)	42Y8183	1
Nvidia GeForce 7300LE 128MB 64bit LP / ATX with DMS59 (models CTO)	42Y8165	2
ATI X1300LE 256M 64bit LP / ATX with DMS59 (models CTO)	42Y8162	2
Speakers (2-piece) Lenovo Logo (models CTO)	41A5331	2
BTL external speaker (models CTO)	41A5334	1
Speaker Power brick - US, Canada, LA low voltage, ASEAN (models CTO)	89P8571	1
Speaker Power brick - Hong Kong, Malaysia, Singapore, UK, Brunei (models CTO)	89P8573	1
Speaker Power brick - LA high voltage (non-APU) (models CTO)	89P8575	1
Speaker Power brick - China, Thailand (models CTO)	89P8581	1
Speaker Power brick - Japan (models CTO)	89P8577	1
Speaker Power brick - Brazil (models CTO)	89P8583	1
Speaker Power brick - Argentina (models CTO)	41A4901	1
Speaker Power brick - ANZ (models CTO)	89P8579	1
Speaker Brick - Korea (models CTO)	41A4903	1
Speaker Brick - Taiwan (models CTO)	41A4905	1
Speaker Power brick - India, South Africa (models CTO)	89P8585	1
ATI RV610 256M LP, PCIe x16, DMS59/S-Video (models CTO)	64Y3999	2
ATI RV610 128M ATX, PCIe x16, DMS59/S-Video (models CTO)	64Y3997	2
New Casper DVI-D card, low profile, support HDCP (models CTO)	43C0258	2
USB2.0 MEMORY CARDREADER,6X2,ROHS, Slim (models CTO)	45R1883	2

9018 Power Cords	FRU#	CRU Tier
Line Cord - US (models CTO)	41R3184	1
Line Cord - US (models CTO)	41R3185	1
Line Cord - China (models CTO)	41R3256	1
Line Cord - China (models CTO)	41R3257	1
Line Cord - Brazil (models CTO)	41R3270	1
Line Cord - Brazil (models CTO)	41R3271	1
Line Cord - LA High Volt (APU) (models CTO)	41R3176	1
Line Cord - LA High Volt (APU) (models CTO)	41R3177	1
Line Cord - Korea (models CTO)	41R3260	1



9018 Power Cords	FRU#	CRU Tier
Line Cord - Korea (models CTO)	41R3261	1
Line Cord - UK, Ireland, Singapore, Malaysia, Brunei (models CTO)	41R3224	1
Line Cord - UK, Ireland, Singapore, Malaysia, Brunei (models CTO)	41R3225	1
Line Cord - Taiwan (models CTO)	41R3278	1
Line Cord - Taiwan (models CTO)	41R3279	1
Line Cord - Italy (models CTO)	41R3232	1
Line Cord - Italy (models CTO)	41R3233	1
Line Cord - Indonesia, Laos, Cambodia, and Vietnam (models CTO)	41R3208	1
Line Cord - Indonesia, Laos, Cambodia, and Vietnam (models CTO)	41R3209	1
Line Cord - Denmark (models CTO)	41R3212	1
Line Cord - Denmark (models CTO)	41R3213	1
Line Cord - Switzerland (models CTO)	41R3228	1
Line Cord - Switzerland (models CTO)	41R3229	1
Line Cord - Israel (models CTO)	41R3236	1
Line Cord - Israel (models CTO)	41R3237	1
Line Cord - South Africa (models CTO)	41R3220	1
Line Cord - South Africa (models CTO)	41R3221	1
Line Cord - India (models CTO)	41R3341	1
Line Cord - India (models CTO)	41R3175	1
Line Cord - Japan (models CTO)	41R3248	1
Line Cord - Japan (models CTO)	41R3249	1
Line Cord - ANZ (models CTO)	41R3196	1
Line Cord - ANZ (models CTO)	41R3197	1
Line Cord - Hong Kong (models CTO)	41R3224	1
Line Cord - Hong Kong (models CTO)	41R3225	1

9018 Windows XP Home Recovery CDs	FRU#	CRU
English (models CTO)	45R6005	1
French (models CTO)	45R6006	1
German (models CTO)	45R6007	1
Spanish (models CTO)	45R6008	1
Brazil (models CTO)	45R6009	1
Italian (models CTO)	45R6010	1
Japanese (models CTO)	45R6011	1
Norwegian (models CTO)	45R6012	1
Swedish (models CTO)	45R6013	1
Danish (models CTO)	45R6014	1
Dutch (models CTO)	45R6015	1
Czech (models CTO)	45R6016	1
Finnish (models CTO)	45R6017	1
Hebrew (models CTO)	45R6018	1

9018 Windows XP Home Recovery CDs	FRU#	CRU
Polish (models CTO)	45R6019	1
Arabic (models CTO)	45R6020	1
Russian (models CTO)	45R6021	1
Turkish (models CTO)	45R6022	1
Hungarian (models CTO)	45R6023	1
Greek (models CTO)	45R6024	1
Simplified Chinese (models CTO)	45R6025	1
Taiwan (models CTO)	45R6026	1
HongKong (models CTO)	45R6027	1
Korea (models CTO)	45R6028	1
Russian English (models CTO)	45R6029	1
Portuguese (models CTO)	45R6030	1

9018 Windows XP Pro Recovery CDs	FRU#	CRU
English (models CTO)	45R5979	1
French (models CTO)	45R5980	1
German (models CTO)	45R5981	1
Spanish (models CTO)	45R5982	1
Brazil (models CTO)	45R5983	1
Italian (models CTO)	45R5984	1
Japanese (models CTO)	45R5985	1
Norwegian (models CTO)	45R5986	1
Swedish (models CTO)	45R5987	1
Danish (models CTO)	45R5988	1
Dutch (models CTO)	45R5989	1
Czech (models CTO)	45R5990	1
Finnish (models CTO)	45R5991	1
Hebrew (models CTO)	45R5992	1
Polish (models CTO)	45R5993	1
Arabic (models CTO)	45R5994	1
Russian (models CTO)	45R5995	1
Turkish (models CTO)	45R5996	1
Hungarian (models CTO)	45R5997	1
Greek (models CTO)	45R5998	1
Simplified Chinese (models CTO)	45R5999	1
Taiwan (models CTO)	45R6000	1
HongKong (models CTO)	45R6001	1
Korea (models CTO)	45R6002	1
Russian English (models CTO)	45R6003	1
Portuguese (models CTO)	45R6004	1
MUL 1 - EN, NL, FR, GR, IT (models CTO)	45R5977	1

9018 Windows XP Pro Recovery CDs	FRU#	CRU
MUL 2 - EN, DK, FI, NO, SV (models CTO)	45R5978	1

9018 Vista Home Basic 32 Recovery DVDs	FRU#	CRU
English (models CTO)	46R7098	1
Russian English (models CTO)	46R7099	1
French (models CTO)	46R7100	1
German (models CTO)	46R7101	1
Spanish (models CTO)	46R7102	1
Brazilian (models CTO)	46R7103	1
Italian (models CTO)	46R7104	1
Japanese (models CTO)	46R7105	1
Norwegian (models CTO)	46R7106	1
Swedish (models CTO)	46R1086	1
Danish (models CTO)	46R7107	1
Dutch (models CTO)	46R1088	1
Czech (models CTO)	46R1089	1
Finnish (models CTO)	46R1090	1
Polish (models CTO)	46R1091	1
Russian (models CTO)	46R1092	1
Turkish (models CTO)	46R1093	1
Hungarian (models CTO)	46R1094	1
Greek (models CTO)	46R1095	1
Simplified Chinese (models CTO)	46R7109	1
Taiwan (models CTO)	46R7110	1
HongKong (models CTO)	46R7111	1
Korea (models CTO)	46R1099	1
Slovenian (models CTO)	46R1100	1
Hebrew (models CTO)	46R1101	1
Portuguese (models CTO)	46R1102	1
Arabic Localized (models CTO)	46R1103	1
Slovakia (models CTO)	46R1104	1

9018 Vista Business 32 Recovery DVDs	FRU#	CRU
English (models CTO)	46R7070	1
Russian English (models CTO)	46R7071	1
French (models CTO)	46R7072	1
German (models CTO)	46R7073	1
Spanish (models CTO)	46R7074	1
Brazilian (models CTO)	46R7075	1
Italian (models CTO)	46R7076	1
Japanese (models CTO)	46R7077	1

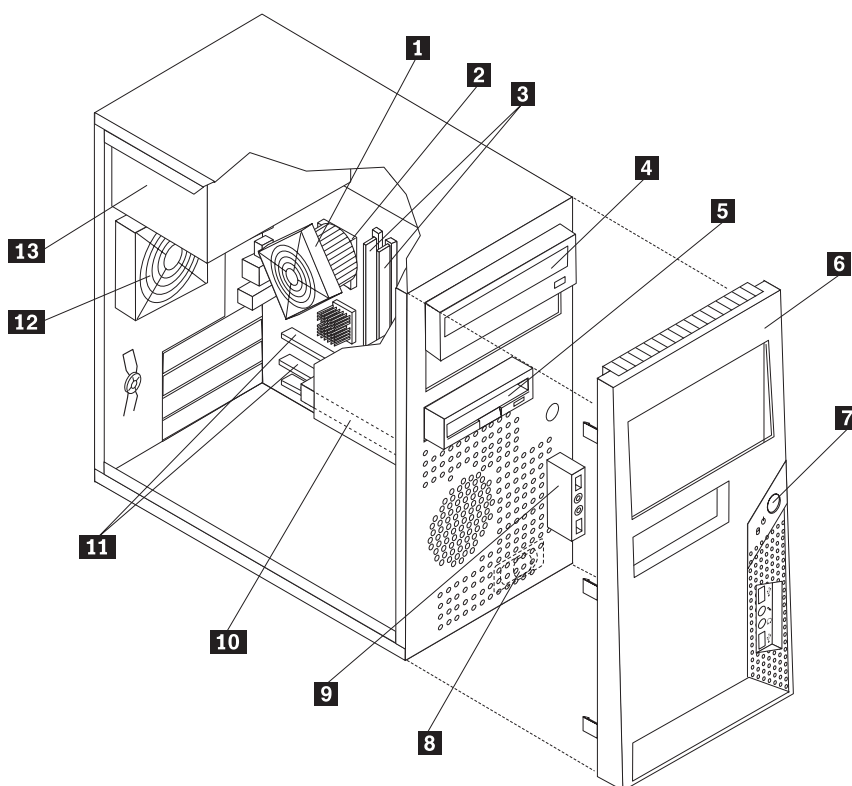
9018 Vista Business 32 Recovery DVDs	FRU#	CRU
Norwegian (models CTO)	46R7078	1
Swedish (models CTO)	46R1028	1
Danish (models CTO)	46R7079	1
Dutch (models CTO)	46R1030	1
Czech (models CTO)	46R1031	1
Finnish (models CTO)	46R1032	1
Polish (models CTO)	46R1033	1
Russian (models CTO)	46R7080	1
Turkish (models CTO)	46R1035	1
Hungarian (models CTO)	46R1036	1
Greek (models CTO)	46R1037	1
Simplified Chinese (models CTO)	46R7081	1
Traditional Chinese (models CTO)	46R7082	1
Traditional Chinese (models CTO)	46R7083	1
Korean (models CTO)	46R1041	1
Slovenian (models CTO)	46R1042	1
Romanian (models CTO)	46R1043	1
Portuguese (models CTO)	46R1044	1
Sebian-Latin (models CTO)	46R1045	1
Slovakian (models CTO)	46R1046	1
Arabic Localized (models CTO)	46R1047	1
Hebrew (models CTO)	46R1048	1

9018 Vista Ultimate 32 Recovery DVDs	FRU#	CRU
English (models CTO)	45R5949	1
Russian English (models CTO)	45R5950	1
French (models CTO)	45R5951	1
German (models CTO)	45R5952	1
Spanish (models CTO)	45R5953	1
Brazilian (models CTO)	45R5954	1
Italian (models CTO)	45R5955	1
Japanese (models CTO)	45R5956	1
Norwegian (models CTO)	45R5957	1
Swedish (models CTO)	45R5958	1
Danish (models CTO)	45R5959	1
Dutch (models CTO)	45R5960	1
Czech (models CTO)	45R5961	1
Finnish (models CTO)	45R5962	1
Polish (models CTO)	45R5963	1
Russian (models CTO)	45R5964	1
Turkish (models CTO)	45R5965	1

9018 Vista Ultimate 32 Recovery DVDs	FRU#	CRU
Hungarian (models CTO)	45R5966	1
Greek (models CTO)	45R5967	1
Simplified Chinese (models CTO)	45R5968	1
Traditional Chinese (models CTO)	45R5969	1
Traditional Chinese (models CTO)	45R5970	1
Korean (models CTO)	45R5971	1
Slovenian (models CTO)	45R5972	1
Hebrew (models CTO)	45R5973	1
Portuguese (models CTO)	45R5974	1
Slovakian (models CTO)	45R5975	1
Arabic Localized (models CTO)	45R5976	1

9018 XP Pro Recovery DVDs	FRU#	CRU
English (models)	45R8811	1
French (models)	45R8812	1
German (models)	45R8813	1
Spanish (models)	45R8814	1
Brazil (models)	45R8815	1
Italian (models)	45R8816	1
Japanese (models)	45R8817	1
Norwegian (models)	45R8818	1
Swedish (models)	45R8819	1
Danish (models)	45R8820	1
Dutch (models)	45R8821	1
Czech (models)	45R8822	1
Finnish (models)	45R8823	1
Hebrew (models)	45R8824	1
Polish (models)	45R8825	1
Arabic (models)	45R8826	1
Russian (models)	45R8827	1
Turkish (models)	45R8828	1
Hungarian (models)	45R8829	1
Greek (models)	45R8830	1
Simplified Chinese (models)	45R8831	1
Taiwan (models)	45R8832	1
HongKong (models)	45R8833	1
Korea (models)	45R8834	1
Russian English (models)	45R8835	1
Portuguese (models)	45R8836	1
Slovenian (models)	45R8837	1

## Machine Type 9019



Item #	9019 FRUs	FRU#	CRU Tier
1	Intel 65W/95w heatsink (all models)	43N9309	2
2	Microprocessor, Core 2 Duo E6550 Processor 2.33GHz 1333MHz FSB 4M L2 9 (models CTO)	43C3833	N
2	Microprocessor, Core 2 Duo E6750 Processor 2.66GHz 1333MHz FSB 4M L2 (models CTO)	43C1693	N
2	Microprocessor,		N
2	Microprocessor, Core 2 Duo E6850 Processor 3GHz 1333MHz FSB 4M L2 G-0 Stepping Level, Mainstream/Value FMB, TXT support (models CTO A1V)	43C1694	N
2	Microprocessor, Conroe E6600 Processor 2.40GHz 1066MHz FSB 4M L2 (models A2V)	41X5743	N
2	Microprocessor, Core 2 Duo E2220 Processor 2.4GHz 800MHz FSB 1M L2 65W (models)	45C1774	N
2	Microprocessor, Core 2 Duo E4700 Processor 2.6GHz 800MHz 2M 65W (models)	45R5786	N
2	Microprocessor, Core 2 Duo E6540 Processor 2.33GHz 1333MHz FSB 4M L2 (models CTO)	43C6307	N
2	Microprocessor, Q6600 KENTSFIELD G-0 8MB 4c LGA 2.4GHZ 1066FSB G-0 Stepping Level, 95W (models CTO)	43C1695	N
2	Microprocessor, Q6700 KENTSFIELD G-0 8MB 4c LGA G-0 Stepping Level, 95W 2.66GHZ 1066FSB (models CTO)	43C6309	N
2	Microprocessor, Core 2 Duo E4600 Processor 2.4GHz 800MHz FSB 2M L2 M-0 Stepping Level, Mainstream/Value FMB (models)	45C5282	N
2	Microprocessor, Core 2 Duo E2200 Processor 2.2GHz 800MHz FSB 1M L2 M-0 Stepping Level, Mainstream/Value FMB (models)	45C5349	N

Item #	9019 FRUs	FRU#	CRU Tier
2	Microprocessor, Core 2 Duo E8500 Processor 3.16GHz 1333MHz FSB 6M L2 65W (models CTO)	45C7735	N
2	Microprocessor, Core 2 Duo E8400 Processor 3.0GHz 1333MHz FSB 6M L2 65W (models CTO)	45C7736	N
2	Microprocessor, Core 2 Duo E8300 Processor 2.83GHz 1333MHz FSB 6M L2 65W (models CTO)	45C7737	N
2	Microprocessor, Core 2 Duo E8200 Processor 2.66GHz 1333MHz FSB 6M L2 65W (models CTO)	45C7738	N
2	Microprocessor, Core2 Duo E8190 Processor 1333/2600MHz 6M L2 65W Non vPro (models)	45R2568	N
2	Microprocessor, Core 2 Duo E7200 Processor 2.53GHz 1066MHz 3M L2 65W (models CTO)	45R8337	N
2	Microprocessor, Dual Core E1400 Processor 2.0GHz 800MHz 512K L2 65W (models)	45R8339	N
2	Microprocessor, Dual Core E1200 Processor 1.6GHz 800MHz 512K (models)	45R8341	N
2	Microprocessor, Q9550 Yorkfield 2.83GHZ 1333FSB 12M 4/4 L2 95W C1 stepping (models CTO)	45C7739	N
2	Microprocessor, Q9450 Yorkfield 2.66GHZ 1333FSB 12M 4/4 L2 95W C1 stepping (models CTO)	45C7740	N
2	Microprocessor, Q9300 Yorkfield 2.50GHZ 1333FSB 6M 4/4 L2 95W M1 stepping (models CTO)	45C7741	N
2	Microprocessor, Wolfdale Core 2 Duo E7300 Processor 2.66GHz 1066MHz FSB 3M L2 65W M0 Stepping (models)	46R1622	N
2	Microprocessor, Dual Core E1600 Processor 2.4GHz 800MHz 512K L2 65W M0 Stepping Level (models)	46R1655	N
2	Microprocessor, Core 2 Duo E2180 Processor 2.0GHz 800MHz FSB 1M L2 (models)	45C1773	N
3	Memory module, , 512 MB PC2-5300 (667MHz) DDR2 SDRAM (models CTO)	41X4255	2
3	Memory module, , 2 GB PC2-5300 (667MHz) DDR2 SDRAM (models CTO)	41X4257	2
3	Memory module, 512 MB PC2-6400 (800MHz) DDR2 SDRAM (models CTO A1V)	41X1079	2
3	Memory module, 1GB PC-6400 (800MHz) DDR2 SDRAM (models CTO)	41X1080	2
3	Memory module, 2GB PC-6400 (800MHz) DDR2 SDRAM (models CTO)	41X1081	2
3	Memory module, 1 GB PC2-5300 (667MHz) DDR2 SDRAM (models CTO A2V )	41X4256	2
4	DVD-ROM Drive - 16x/48x - SATA XP and Vista (models A1V CTO)	41N3325	2
4	DVD-ROM/CD-RW Combo Drive - 48x/32x/48x/16x (models CTO)	42Y9353	2
4	DVD-Recordable /CD-RW Rambo 8 - SATA (models CTO)	43C1042	2
5	Diskette drive, 3.5" 1.44MB 2 Mode FDD (models A1V A2V)	40Y9107	2
5	Diskette drive, 3.5" 1.44MB 2 Mode FDD (models A1V A2V)	40Y9105	2
6	Bezel assembly (all models)	41N8052	2
7	Power switch/LED assembly (all models)	41N5284	2
8	Speaker assembly, soldered terminals (all models)	39P5023	2
9	Front audio/USB assembly (all models)	41N8054	2
10	Hard disk drive, 80GB Hard Drive (7200RPM) Serial ATA -- Lenovo (models CTO)	40Y9034	2
10	Hard disk drive, 160GB (7200RPM), Serial ATA (models CTO A1V A2V)	40Y9035	2
10	Hard disk drive, 250 GB 7200rpm SATA (models CTO)	40Y9036	2

Item #	9019 FRUs	FRU#	CRU Tier
10	Hard disk drive, 320 GB 7200rpm SATA (models CTO)	87H4891	2
10	Hard disk drive, 500GB Hard Drive (7200RPM) Serial ATA (models CTO)	41X5582	2
11	System board, Tamdhu II - Saturn non AMT(GA) support 45nm processor (Hard from 45R5312) (models)	46R1842	N
11	System board, Tamdhu II - Saturn AMT(GA) support 45nm processor (Hard from 45R5313) (models A1V A2V CTO)	46R1843	N
12	Fan, Rear w/ grommets & Grill (all models)	41R6046	2
13	Power supply, 280 Watt ATX Power Supply (80plus) - Standard, Robust, JP (models A1V A2V)	41A9684	2

The FRUs listed in the following tables are not illustrated.

9019 FRUs	FRU#	CRU Tier
Shield, 5.25 EMC (all models)	41N8080	2
Shield, diskette drive EMC (all models)	41N8078	2
Cable, Diskette drive (RoHs) (all models)	41A7182	2
Kit, Miscellaneous hardware (all models)	41N8055	2
Retainer, Card Reader (all models)	41R2913	2
Optional HDD Bracket Asm, without 4Pin cable (all models)	41R6106	2
Intrusion Switch asm (all models)	41R6116	2
Bezel, without IBM mark (all models)	41R6243	2
Cover, left side (all models)	41N8050	1
Chassis without IBM mark (all models)	41R6241	N
4 Pin System Fan (all models)	41R6269	N
Hard disk drive tray (all models)	41R6291	N
Fan, front (all models)	41R4791	2
SATA cable,457mm,1 latching for device,RoHS (all models)	43N9013	2
SATA cable,250mm,1 latching for device,RoHS (all models)	43N9012	2
Fru-Cable, Temp Sense Cable (460mm) (all models)	41R2509	2
Blank 5.25" Bezel (all models)	41N8077	2
Dongle DMS-59 to dual VGA cable (models CTO)	42Y8181	1
Dongle DMS-59 to single VGA & DVI cable (models CTO)	42Y8183	1
Dongle DMS-59 to dual DVI - I cable (models CTO)	41X6398	1
Lenovo USB2.0 Memory Key 1GB (models CTO)	41U4978	2

9019 Keyboards (Fingerprint Reader USB)	FRU#	CRU Tier
US English (models CTO)	41A5248	1
Arabic (models CTO)	41A5249	1
Arabic/French (models CTO)	41A5250	1
Belgian/French (models CTO)	41A5251	1
Belgian/UK (models CTO)	41A5252	1
Brazil/Portuguese (models CTO)	41A5253	1



<b>9019 Keyboards (Fingerprint Reader USB)</b>	<b>FRU#</b>	<b>CRU Tier</b>
Bulgarian (models CTO)	41A5254	1
Chinese (models CTO)	41A5255	1
Czech (models CTO)	41A5256	1
Danish (models CTO)	41A5257	1
Dutch (models CTO)	41A5258	1
French (models CTO)	41A5259	1
French Canadian 445 (models CTO)	41A5260	1
French Canadian 58 (models CTO)	41A5261	1
German (models CTO)	41A5262	1
Greek (models CTO)	41A5263	1
Greek/US (models CTO)	41A5264	1
Hebrew (models CTO)	41A5265	1
Hungarian (models CTO)	41A5266	1
Iceland (models CTO)	41A5267	1
Italian 141 (models CTO)	41A5268	1
Japanese (models CTO)	41A5269	1
Korean (models CTO)	41A5270	1
LA Spanish (models CTO)	41A5271	1
Norwegian (models CTO)	41A5272	1
Polish (models CTO)	41A5273	1
Portuguese (models CTO)	41A5274	1
Romanian 096 (models CTO)	41A5275	1
Romanian 446 (models CTO)	41A5276	1
Russian/Cyrillic (models CTO)	41A5277	1
Serbian/Cyrillic (models CTO)	41A5278	1
Slovak (models CTO)	41A5279	1
Spanish (models CTO)	41A5280	1
Swedish/Finn (models CTO)	41A5281	1
Swiss (models CTO)	41A5282	1
Thailand (models CTO)	41A5283	1
Turkish 440 (models CTO)	41A5284	1
Turkish 179 (models CTO)	41A5285	1
UK English (models CTO)	41A5286	1
US Euro (models CTO)	41A5287	1
Slovenian (models CTO)	41A5288	1

<b>9019 mice</b>	<b>FRU#</b>	<b>CRU Tier</b>
Optical Wheel Mouse (400DPI, USB) (models CTO A1V A2V)	41U3013	1
Optical Wheel Mouse (400DPI, USB) (models CTO A1V A2V)	41U3030	1
PS/2 Three Button ball mouse (models CTO)	41R0018	1

9019 Adapters and miscellaneous FRUs	FRU#	CRU
IEEE 1394 Firewire Adapter (ATX) (models CTO)	41D2781	2
Speaker Power brick - India, South Africa (models A1V A2V)	89P8585	1
ATI RV610 256M LP, PCIe x16, DMS59/S-Video (models CTO)	46R4160	2
ATI RV610 128M ATX, PCIe x16, DMS59/S-Video (models CTO)	46R4159	2
ATI HD 2600XT(RV630XT) 512MB 128BIT ATX (models CTO)	43C0261	2
New Casper DVI-D card,full height, support HDCP (models CTO)	43C0258	2
DVI-VGA Dongle (models CTO)	45C7816	1
USB2.0 MEMORY CARDREADER,6X2,ROHS (models CTO)	45R1883	2
ODD/FDD/Cardreader Retainers (all models)	43N9351	2
20-in-1 Card Reader (all models)	45R8139	2
Temp Sense Cable (165 mm) (all models)	43N9079	2

9019 Power Cords	FRU#	CRU Tier
Line Cord - US (models CTO)	41R3184	1
Line Cord - US (models CTO)	41R3185	1
Line Cord - China (models CTO)	41R3256	1
Line Cord - China (models v)	41R3257	1
Line Cord - Brazil (models v)	41R3270	1
Line Cord - Brazil (models CTO)	41R3271	1
Line Cord - LA High Volt (APU) (models CTO)	41R3176	1
Line Cord - LA High Volt (APU) (models CTO)	41R3177	1
Line Cord - Korea (models CTO)	41R3260	1
Line Cord - Korea (models CTO)	41R3261	1
Line Cord - UK, Ireland, Singapore, Malaysia, Brunei (models CTO)	41R3224	1
Line Cord - UK, Ireland, Singapore, Malaysia, Brunei (models CTO)	41R3225	1
Line Cord - Taiwan (models A1V A2V CTO)	41R3278	1
Line Cord - Taiwan (models A1V A2V CTO)	41R3279	1
Line Cord - Italy (models CTO)	41R3232	1
Line Cord - Italy (models CTO)	41R3233	1
Line Cord - Indonesia, Laos, Cambodia, and Vietnam (models CTO)	41R3208	1
Line Cord - Indonesia, Laos, Cambodia, and Vietnam (models CTO)	41R3209	1
Line Cord - Denmark (models CTO)	41R3212	1
Line Cord - Denmark (models CTO)	41R3213	1
Line Cord - Switzerland (models CTO)	41R3228	1
Line Cord - Switzerland (models CTO)	41R3229	1
Line Cord - Israel (models CTO)	41R3236	1
Line Cord - Israel (models CTO)	41R3237	1
Line Cord - South Africa (models CTO)	41R3220	1
Line Cord - South Africa (models CTO)	41R3221	1
Line Cord - India (models CTO)	41R3341	1
Line Cord - India (models CTO)	41R3175	1

9019 Power Cords	FRU#	CRU Tier
Line Cord - Japan (models CTO)	41R3248	1
Line Cord - Japan (models CTO)	41R3249	1
Line Cord - ANZ (models CTO)	41R3196	1
Line Cord - ANZ (models CTO)	41R3197	1
Line Cord - Hong Kong (models CTO)	41R3224	1
Line Cord - Hong Kong (models CTO)	41R3225	1

9019 Windows XP Home Recovery CDs	FRU#	CRU
English (models CTO)	45R6005	1
French (models CTO)	45R6006	1
German (models CTO)	45R6007	1
Spanish (models CTO)	45R6008	1
Brazil (models CTO)	45R6009	1
Italian (models CTO)	45R6010	1
Japanese (models CTO)	45R6011	1
Norwegian (models CTO)	45R6012	1
Swedish (models CTO)	45R6013	1
Danish (models CTO)	45R6014	1
Dutch (models CTO)	45R6015	1
Czech (models CTO)	45R6016	1
Finnish (models CTO)	45R6017	1
Hebrew (models CTO)	45R6018	1
Polish (models CTO)	45R6019	1
Arabic (models CTO)	45R6020	1
Russian (models CTO)	45R6021	1
Turkish (models CTO)	45R6022	1
Hungarian (models CTO)	45R6023	1
Greek (models CTO)	45R6024	1
Simplified Chinese (models CTO)	45R6025	1
Taiwan (models CTO)	45R6026	1
HongKong (models CTO)	45R6027	1
Korea (models CTO)	45R6028	1
Russian English (models CTO)	45R6029	1
Portuguese (models CTO)	45R6030	1

9019 Windows XP Pro Recovery CDs	FRU#	CRU
English (models CTO)	45R5979	1
French (models CTO)	45R5980	1
German (models CTO)	45R5981	1
Spanish (models CTO)	45R5982	1
Brazil (models CTO)	45R5983	1

<b>9019 Windows XP Pro Recovery CDs</b>	<b>FRU#</b>	<b>CRU</b>
Italian (models CTO)	45R5984	1
Japanese (models CTO)	45R5985	1
Norwegian (models CTO)	45R5986	1
Swedish (models CTO)	45R5987	1
Danish (models CTO)	45R5988	1
Dutch (models CTO)	45R5989	1
Czech (models CTO)	45R5990	1
Finnish (models CTO)	45R5991	1
Hebrew (models CTO)	45R5992	1
Polish (models CTO)	45R5993	1
Arabic (models CTO)	45R5994	1
Russian (models CTO)	45R5995	1
Turkish (models CTO)	45R5996	1
Hungarian (models CTO)	45R5997	1
Greek (models CTO)	45R5998	1
Simplified Chinese (models CTO)	45R5999	1
Taiwan (models CTO)	45R6000	1
HongKong (models CTO)	45R6001	1
Korea (models CTO)	45R6002	1
Russian English (models CTO)	45R6003	1
Portuguese (models CTO)	45R6004	1
MUL 1 - EN, NL, FR, GR, IT (models CTO)	45R5977	1
MUL 2 - EN, DK, FI, NO, SV (models CTO)	45R5978	1

<b>9019 Vista Home Basic 32 Recovery DVDs</b>	<b>FRU#</b>	<b>CRU</b>
English (models CTO)	46R7098	1
Russian English (models CTO)	46R7099	1
French (models CTO)	46R7100	1
German (models CTO)	46R7101	1
Spanish (models CTO)	46R7102	1
Brazilian (models CTO)	46R7103	1
Italian (models CTO)	46R7104	1
Japanese (models CTO)	46R7105	1
Norwegian (models CTO)	46R7106	1
Swedish (models CTO)	46R1086	1
Danish (models CTO)	46R7107	1
Dutch (models CTO)	46R1088	1
Czech (models CTO)	46R1089	1
Finnish (models CTO)	46R1090	1
Polish (models CTO)	46R1091	1
Russian (models CTO)	46R7108	1

<b>9019 Vista Home Basic 32 Recovery DVDs</b>	<b>FRU#</b>	<b>CRU</b>
Turkish (models CTO)	46R1093	1
Hungarian (models CTO)	46R1094	1
Greek (models CTO)	46R1095	1
Simplified Chinese (models CTO)	46R7109	1
Taiwan (models CTO)	46R7110	1
HongKong (models CTO)	46R7111	1
Korea (models CTO)	46R1099	1
Slovenian (models CTO)	46R1100	1
Hebrew (models CTO)	46R1101	1
Portuguese (models CTO)	46R1102	1
Arabic Localized (models CTO)	46R1103	1
Slovakia (models CTO)	46R1104	1

<b>9019 Vista Business 32 Recovery DVDs</b>	<b>FRU#</b>	<b>CRU</b>
English (models CTO)	46R7070	1
Russian English (models CTO)	46R7071	1
French (models CTO)	46R7072	1
German (models CTO)	46R7073	1
Spanish (models CTO)	46R7074	1
Brazilian (models CTO)	46R7075	1
Italian (models CTO)	46R7076	1
Japanese (models CTO)	46R7077	1
Norwegian (models CTO)	46R7078	1
Swedish (models CTO)	46R1028	1
Danish (models CTO)	46R7079	1
Dutch (models CTO)	46R1030	1
Czech (models CTO)	46R1031	1
Finnish (models CTO)	46R1032	1
Polish (models CTO)	46R1033	1
Russian (models CTO)	46R7080	1
Turkish (models CTO)	46R1035	1
Hungarian (models CTO)	46R1036	1
Greek (models CTO)	46R1037	1
Simplified Chinese (models CTO)	46R7081	1
Traditional Chinese (models A1V A2V CTO)	46R7082	1
Traditional Chinese (models A1V A2V CTO)	46R7083	1
Korean (models CTO)	46R1041	1
Slovenian (models CTO)	46R1042	1
Romanian (models CTO)	46R1043	1
Portuguese (models CTO)	46R1044	1
Sebian-Latin (models CTO)	46R1045	1

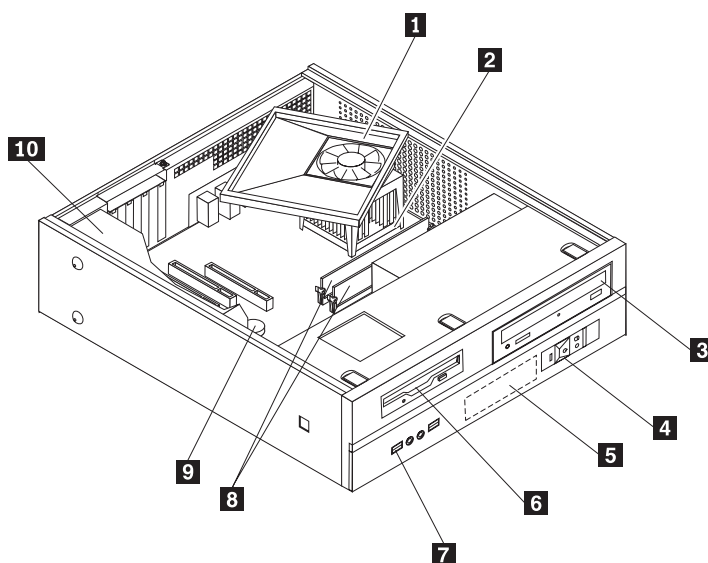
<b>9019 Vista Business 32 Recovery DVDs</b>	<b>FRU#</b>	<b>CRU</b>
Slovakian (models CTO)	46R1046	1
Arabic Localized (models CTO)	46R1047	1
Hebrew (models CTO)	46R1048	1

<b>9019 Vista Ultimate 32 Recovery DVDs</b>	<b>FRU#</b>	<b>CRU</b>
English (models CTO)	46R7112	1
Russian English (models CTO)	46R7113	1
French (models CTO)	46R7114	1
German (models CTO)	46R7115	1
Spanish (models CTO)	46R7116	1
Brazilian (models CTO)	46R7117	1
Italian (models CTO)	46R7118	1
Japanese (models CTO)	46R7119	1
Norwegian (models CTO)	46R7120	1
Swedish (models CTO)	46R1114	1
Danish (models CTO)	46R7121	1
Dutch (models CTO)	46R1116	1
Czech (models CTO)	46R1117	1
Finnish (models CTO)	46R1118	1
Polish (models CTO)	46R1119	1
Russian (models CTO)	46R7122	1
Turkish (models CTO)	46R1121	1
Hungarian (models CTO)	46R1122	1
Greek (models CTO)	46R1123	1
Simplified Chinese (models CTO)	46R7123	1
Traditional Chinese (models CTO)	46R7124	1
Traditional Chinese (models CTO)	46R7125	1
Korean (models CTO)	46R1127	1
Slovenian (models CTO)	46R1128	1
Hebrew (models CTO)	46R1129	1
Portuguese (models CTO)	46R1130	1
Slovakian (models CTO)	46R1131	1
Arabic Localized (models CTO)	46R1132	1

<b>9019 XP Pro Recovery DVDs</b>	<b>FRU#</b>	<b>CRU</b>
English (models)	45R8811	1
French (models)	45R8812	1
German (models)	45R8813	1
Spanish (models)	45R8814	1
Brazil (models)	45R8815	1
Italian (models)	45R8816	1

9019 XP Pro Recovery DVDs	FRU#	CRU
Japanese (models)	45R8817	1
Norwegian (models)	45R8818	1
Swedish (models)	45R8819	1
Danish (models)	45R8820	1
Dutch (models)	45R8821	1
Czech (models)	45R8822	1
Finnish (models)	45R8823	1
Hebrew (models)	45R8824	1
Polish (models)	45R8825	1
Arabic (models)	45R8826	1
Russian (models)	45R8827	1
Turkish (models)	45R8828	1
Hungarian (models)	45R8829	1
Greek (models)	45R8830	1
Simplified Chinese (models)	45R8831	1
Taiwan (models)	45R8832	1
HongKong (models)	45R8833	1
Korea (models)	45R8834	1
Russian English (models)	45R8835	1
Portuguese (models)	45R8836	1
Slovenian (models)	45R8837	1

## Machine Type 9087



Item #	9087 FRUs	FRU#	CRU
1	Heat Sink/RM Kit Intel (all models)	41R6022	2
2	Microprocessor, Core 2 Duo E6550 Processor 2.33GHz 1333MHz FSB 4M L2 (models A3G A3M A3Q A3J A4A A4T A1G A2C A5U)	43C3833	N
2	Microprocessor, Core 2 Duo E2220 Processor 2.4GHz 800MHz FSB 1M L2 65W (models)	45C1774	N
2	Microprocessor, Core 2 Duo E4700 Processor 2.6GHz 800MHz 2M 65W (models)	45R5786	N
2	Microprocessor, Core 2 Duo E6540 Processor 2.33GHz 1333MHz FSB 4M L2 (models CTO)	43C6307	N
2	Microprocessor, Q6600 KENTSFIELD G-0 8MB 4c LGA 2.4GHZ 1066FSB (models A5V A6C CTO)	43C1695	N
2	Microprocessor, Q6700 KENTSFIELD G-0 8MB 4c LGA 2.66GHZ 1066FSB (models CTO)	43C6309	N
2	Microprocessor, Core 2 Duo E4600 Processor 2.4GHz 800MHz FSB 2M L2 (models)	45C5282	N
2	Microprocessor, Core 2 Duo E2200 Processor 2.2GHz 800MHz FSB 1M L2 (models)	45C5349	N
2	Microprocessor, Core 2 Duo E8500 Processor 3.16GHz 1333MHz FSB 6M L2 (models CTO)	45C7735	N
2	Microprocessor, Core 2 Duo E8400 Processor 3.0GHz 1333MHz FSB 6M L2 (models)	45C7736	N
2	Microprocessor, Core 2 Duo E8300 Processor 2.83GHz 1333MHz FSB 6M L2 (models)	45C7737	N
2	Microprocessor, Core 2 Duo E8200 Processor 2.66GHz 1333MHz FSB 6M L2 (models A7C)	45C7738	N
2	Microprocessor, Core2 Duo E8190 Processor 1333/2600MHz 6M L2 65W Non vPro (models)	45R2568	N
2	Microprocessor, Core 2 Duo E7200 Processor 2.53GHz 1066MHz 3M L2 65W (models)	45R8337	N
2	Microprocessor, Dual Core E1400 Processor 2.0GHz 800MHz 512K L2 65W (models)	45R8339	N
2	Microprocessor, Dual Core E1200 Processor 1.6GHz 800MHz 512K (models)	45R8341	N



Item #	9087 FRUs	FRU#	CRU
2	Microprocessor, Wolfdale Core 2 Duo E7300 Processor 2.66GHz 1066MHz FSB 3M L2 65W M0 Stepping (models)	46R1622	N
2	Microprocessor, Dual Core E1600 Processor 2.4GHz 800MHz 512K L2 65W M0 Stepping Level (models)	46R1655	N
2	Microprocessor, Core 2 Duo E2180 Processor 2.0GHz 800MHz FSB 1M L2 (models)	45C1773	N
3	DVD-ROM Drive - 16x/48x - SATA XP and Vista (models A3G A3M A3Q A3J A2C)	41N3325	2
3	DVD-ROM/CD-RW Combo Drive - 48x/32x/48x/16x - SATA vista and XP (models A4A A4T A1G)	42Y9353	2
4	Front Power/LED PC, bracket, and cable (all models)	41N8213	2
5	Hard disk drive, 160GB (7200RPM), Serial ATA (models A3G A3M A3Q A3J A4A A4T A1G A2C A5V A7C)	40Y9035	2
5	Hard disk drive, 250 GB 7200rpm SATA (models A6C)	40Y9036	2
5	Hard disk drive, 320 GB 7200rpm SATA (models A8C)	87H4891	2
6	Diskette drive, 3.5" 1.44MB 2 Mode FDD (models A2C)	40Y9105	2
6	Diskette drive, 3.5" 1.44MB 2 Mode FDD (models A2C)	40Y9107	2
6	Diskette drive, 3.5" 1.44MB 2 Mode FDD (models A2C)	40Y9113	2
7	Front USB/Audio with bracket (all models)	41N8212	2
8	Memory module, 512 MB PC2-5300 (667MHz) DDR2 SDRAM (models A3G A3M A3Q A3J)	41X4255	2
8	Memory module, 1 GB PC2-5300 (667MHz) DDR2 SDRAM (models A4A A4T A1G A2C A5V A7C A8C A6C)	41X4256	2
9	System board, Saturn non AMT(GA) support 45nm processor (models )	45R5312	N
9	System board, Saturn AMT(GA) support 45nm processor (models A3G A3M A3Q A3J A4A A4T A1G A2C A5V A7C A8C A6C )	45R5313	N
10	280 Watt DT Power Supply -Standard, Robust, JP (models A3G A3M A3Q A3J A4A A4T A1G A2C)	41A9705	N
10	220 Watt Power Supply (80plus) - Standard, Robust, JP (models A3G A3M A3Q A3J A4A A4T A1G A2C)	41A9670	N

The FRUs listed in the following tables are not illustrated.

9087 FRUs	FRU#	CRU
Second Serial Port Cable, 250mm (all models)	42Y8008	2
Cable, diskette drive (all models)	41A7147	2
Hard disk drive fan and bracket asm (all models)	41R6325	2
Fan duct assembly (all models)	41R4808	2
Shield, EMC, blank 5.25 in. drive bay (all models)	41N8271	2
Shield, EMC, blank diskette drive bay (all models)	41N8273	2
Foot stand (all models)	41R4813	1
Rear USB 2Ports II LP (R), low profile I/O, 200mm, Rohs (all models)	42Y8006	2
System board shield (all models)	41R6108	N
Cover (all models)	41N8204	2
Mechanical shell kit (all models)	41R6223	N

9087 FRUs	FRU#	CRU
Miscellaneous hardware kit (all models)	41N8209	2
Hard disk drive bracket assembly (plastic and grommets) (all models)	41N8210	2
Speaker cable assembly, 600 mm cable length (all models)	41N8217	2
Intrusion switch assembly (all models)	41R6208	2
Bezel kit, without IBM logo (all models)	41R6238	2
20-in-1 Card Reader (all models)	45R8139	2
Temp Sense Cable (165 mm) (all models)	43N9079	2
Intel 65W/95W Heatsink Kit (all models)	41R6429	2

9087 Keyboards (USB Preferred - without hub)	FRU#	CRU Tier
US English (models A3G A3M A3Q A4A A1G)	41A5289	1
Arabic (models A3G A1G)	41A5290	1
Belgian/French (models A3G A1G)	41A5292	1
Belgian/UK (models A3G A1G)	41A5293	1
Bulgarian (models A3G A1G)	41A5295	1
Chinese/US (models A5V)	41A5296	1
Czech (models A3G A1G)	41A5297	1
Danish (models A3G A1G)	41A5298	1
Dutch (models A3G A1G)	41A5299	1
French (models A3G A1G)	41A5300	1
German (models A3G A1G)	41A5303	1
Greek (models A3G A1G)	41A5304	1
Greek/US (models A3G A1G)	41A5305	1
Hebrew (models A3G A1G)	41A5306	1
Hungarian (models A3G A1G)	41A5307	1
Iceland (models A3G A1G)	41A5308	1
Italian 141 (models A3G A1G)	41A5309	1
Japanese (models A3J)	41A5310	1
Norwegian (models A3G A1G)	41A5313	1
Polish (models A3G A1G)	41A5314	1
Portuguese (models A3G A1G)	41A5315	1
Romanian 096 (models A3G A1G)	41A5317	1
Romanian 446 (models A3G A1G)	41A5316	1
Russian/Cyrillic (models A3G A1G)	41A5318	1
Serbian/Cyrillic (models A3G A1G)	41A5319	1
Slovak (models A3G A1G)	41A5320	1
Spanish (models A3G A1G)	41A5321	1
Swedish/Finn (models A3G A1G)	41A5322	1
Thailand (models)	41A5324	1
Turkish 440 (models A3G A1G)	41A5325	1
Turkish 179 (models A3G A1G)	41A5326	1

<b>9087 Keyboards (USB Preferred - without hub)</b>	<b>FRU#</b>	<b>CRU Tier</b>
UK English (models A3G A1G)	41A5327	1
US Euro (models A3G A1G)	41A5328	1
Slovenian (models A3G A1G)	41A5329	1

<b>9087 Keyboards (Fingerprint Reader USB)</b>	<b>FRU#</b>	<b>CRU Tier</b>
US English (models)	41A5248	1
Arabic (models)	41A5249	1
Arabic/French (models)	41A5250	1
Belgian/French (models)	41A5251	1
Belgian/UK (models)	41A5252	1
Brazil/Portuguese (models)	41A5253	1
Bulgarian (models)	41A5254	1
Chinese (models)	41A5255	1
Czech (models)	41A5256	1
Danish (models)	41A5257	1
Dutch (models)	41A5258	1
French (models)	41A5259	1
French Canadian 445 (models)	41A5260	1
French Canadian 58 (models)	41A5261	1
German (models)	41A5262	1
Greek (models)	41A5263	1
Greek/US (models)	41A5264	1
Hebrew (models)	41A5265	1
Hungarian (models)	41A5266	1
Iceland (models)	41A5267	1
Italian 141 (models)	41A5268	1
Japanese (models)	41A5269	1
Korean (models)	41A5270	1
LA Spanish (models)	41A5271	1
Norwegian (models)	41A5272	1
Polish (models)	41A5273	1
Portuguese (models)	41A5274	1
Romanian 096 (models)	41A5275	1
Romanian 446 (models)	41A5276	1
Russian/Cyrillic (models)	41A5277	1
Serbian/Cyrillic (models)	41A5278	1
Slovak (models)	41A5279	1
Spanish (models)	41A5280	1
Swedish/Finn (models)	41A5281	1
Swiss (models)	41A5282	1
Thailand (models)	41A5283	1

9087 Keyboards (Fingerprint Reader USB)	FRU#	CRU Tier
Turkish 440 (models)	41A5284	1
Turkish 179 (models)	41A5285	1
UK English (models)	41A5286	1
US Euro (models)	41A5287	1
Slovenian (models)	41A5288	1

9087 mice	FRU#	CRU
Optical Wheel Mouse (400DPI, USB) (models A3G A3M A3Q A3J A1G A2C A5C A7V A8V A6V)	41U3013	1
Optical Wheel Mouse (400DPI, USB) models A3G A3M A3Q A3J A1G A2C A5C A7V A8V A6V)	41U3030	1

9087 Adapters and miscellaneous FRUs	FRU#	CRU
IEEE 1394 Firewire Adapter (LP) (models CTO)	41D2781	2
Speaker Power brick - US, Canada, LA low voltage, ASEAN (models A3U)	89P8571	1
Speaker Power brick - China, Thailand (models A2C)	89P8581	1
Speaker Power brick - Japan (models A3J)	89P8577	1
Speaker Power brick - ANZ (models A3M)	89P8579	1
Speaker Power brick - India, South Africa (models A3Q)	89P8585	1
ATI RV610 256M LP, PCIe x16, DMS59/S-Video (models)	64Y3999	2
ATI RV610 128M ATX, PCIe x16, DMS59/S-Video (models)	64Y3997	2
New Casper DVI-D card, low profile, support HDCP (models)	43C0258	2
USB2.0 MEMORY CARDREADER,6X2,ROHS, Slim (models CTO)	45R1883	2

9087 Power Cords	FRU#	CRU Tier
Line Cord - US (models A4A A4T)	41R3184	1
Line Cord - US (models A4A A4T)	41R3185	1
Line Cord - China (models A2C A6C A7C A8C )	41R3256	1
Line Cord - China (models A2C A6C A7C A8C )	41R3257	1
Line Cord - Brazil (models)	41R3270	1
Line Cord - Brazil (models)	41R3271	1
Line Cord - LA High Volt (APU) (models)	41R3176	1
Line Cord - LA High Volt (APU) (models)	41R3177	1
Line Cord - Korea (models)	41R3260	1
Line Cord - Korea (models)	41R3261	1
Line Cord - UK, Ireland, Singapore, Malaysia, Brunei (models A3G A4A A1G AAG A9G)	41R3224	1
Line Cord - UK, Ireland, Singapore, Malaysia, Brunei (models A3G A4A A1G AAG A9G)	41R3225	1
Line Cord - Taiwan (models A5V)	41R3278	1
Line Cord - Taiwan (models A5V)	41R3279	1
Line Cord - Italy (models A3G A1G AAG A9G)	41R3232	1
Line Cord - Italy (models A3G A1G AAG A9G)	41R3233	1

<b>9087 Power Cords</b>	<b>FRU#</b>	<b>CRU Tier</b>
Line Cord - Indonesia, Laos, Cambodia, and Vietnam (models A4A)	41R3208	1
Line Cord - Indonesia, Laos, Cambodia, and Vietnam (models A4A)	41R3209	1
Line Cord - Denmark (models A3G A1G AAG A9G)	41R3212	1
Line Cord - Denmark (models A3G A1G AAG A9G)	41R3213	1
Line Cord - Switzerland (models A3G A1G AAG A9G)	41R3228	1
Line Cord - Switzerland (models A3G A1G AAG A9G)	41R3229	1
Line Cord - Israel (models A3G A1G AAG A9G)	41R3236	1
Line Cord - Israel (models A3G A1G AAG A9G)	41R3237	1
Line Cord - South Africa (models A3G A3M A4A A1G AAG A9G)	41R3220	1
Line Cord - South Africa (models A3G A3M A4A A1G AAG A9G)	41R3221	1
Line Cord - India (models A3Q)	41R3341	1
Line Cord - India (models A3Q)	41R3175	1
Line Cord - Japan (models A3J)	41R3248	1
Line Cord - Japan (models A3J)	41R3249	1
Line Cord - ANZ (models A3M )	41R3196	1
Line Cord - ANZ (models A3M )	41R3197	1
Line Cord - Hong Kong (models)	41R3224	1
Line Cord - Hong Kong (models)	41R3225	1

<b>9087 Windows XP Home Recovery CDs</b>	<b>FRU#</b>	<b>CRU</b>
English (models CTO)	45R6005	1
French (models CTO)	45R6006	1
German (models CTO)	45R6007	1
Spanish (models CTO)	45R6008	1
Brazil (models CTO)	45R6009	1
Italian (models)	45R6010	1
Japanese (models)	45R6011	1
Norwegian (models CTO)	45R6012	1
Swedish (models CTO)	45R6013	1
Danish (models CTO)	45R6014	1
Dutch (models CTO)	45R6015	1
Czech (models CTO)	45R6016	1
Finnish (models CTO)	45R6017	1
Hebrew (models CTO)	45R6018	1
Polish (models CTO)	45R6019	1
Arabic (models CTO)	45R6020	1
Russian (models CTO)	45R6021	1
Turkish (models CTO)	45R6022	1
Hungarian (models CTO)	45R6023	1
Greek (models CTO)	45R6024	1
Simplified Chinese (models CTO)	45R6025	1

9087 Windows XP Home Recovery CDs	FRU#	CRU
Taiwan (models CTO)	45R6026	1
HongKong (models CTO)	45R6027	1
Korea (models CTO)	45R6028	1
Russian English (models CTO)	45R6029	1
Portuguese (models CTO)	45R6030	1

9087 Windows XP Pro Recovery CDs	FRU#	CRU
English (models A3M A3Q A3G A4A A1G )	45R5979	1
French (models A3G A1G)	45R5980	1
German (models A3G A1G)	45R5981	1
Spanish (models A3G A1G)	45R5982	1
Brazil (models)	45R5983	1
Italian (models A3G A1G)	45R5984	1
Japanese (models A3J)	45R5985	1
Norwegian (models A3G A1G)	45R5986	1
Swedish (models A3G A1G)	45R5987	1
Danish (models A3G A1G)	45R5988	1
Dutch (models A3G A1G)	45R5989	1
Czech (models A3G A1G)	45R5990	1
Finnish (models A3G A1G)	45R5991	1
Hebrew (models A3G A1G)	45R5992	1
Polish (models A3G A1G)	45R5993	1
Arabic (models A3G A1G)	45R5994	1
Russian (models A3G A1G)	45R5995	1
Turkish (models A3G A1G)	45R5996	1
Hungarian (models A3G A1G)	45R5997	1
Greek (models A3G A1G)	45R5998	1
Simplified Chinese (models)	45R5999	1
Taiwan (models)	45R6000	1
HongKong (models)	45R6001	1
Korea (models)	45R6002	1
Russian English (models A3G A1G)	45R6003	1
Portuguese (models A3G A1G)	45R6004	1
MUL 1 - EN, NL, FR, GR, IT (models A3G A1G)	45R5977	1
MUL 2 - EN, DK, FI, NO, SV (models A3G A1G)	45R5978	1

9087 Vista Home Basic 32 Recovery DVDs	FRU#	CRU
English (models)	46R7098	1
Russian English (models CTO)	46R7099	1
French (models CTO)	46R7100	1
German (models CTO)	46R7101	1

<b>9087 Vista Home Basic 32 Recovery DVDs</b>	<b>FRU#</b>	<b>CRU</b>
Spanish (models CTO)	46R7102	1
Brazilian (models CTO)	46R7103	1
Italian (models CTO)	46R7104	1
Japanese (models)	46R7105	1
Norwegian (models CTO)	46R7106	1
Swedish (models CTO)	46R1086	1
Danish (models CTO)	46R7107	1
Dutch (models CTO)	46R1088	1
Czech (models CTO)	46R1089	1
Finnish (models CTO)	46R1090	1
Polish (models CTO)	46R1091	1
Russian (models CTO)	46R7108	1
Turkish (models CTO)	46R1093	1
Hungarian (models CTO)	46R1094	1
Greek (models CTO)	46R1095	1
Simplified Chinese (models CTO)	46R7109	1
Taiwan (models CTO)	46R7110	1
HongKong (models CTO)	46R7111	1
Korea (models)	46R1099	1
Slovenian (models CTO)	46R1100	1
Hebrew (models CTO)	46R1101	1
Portuguese (models CTO)	46R1102	1
Arabic Localized (models CTO)	46R1103	1
Slovakia (models CTO)	46R1104	1

<b>9087 Vista Business 32 Recovery DVDs</b>	<b>FRU#</b>	<b>CRU</b>
English (models A3M A3Q A3G A4A A1G AAG A9G )	46R7070	1
Russian English (models A3G A1G AAG A9G )	46R7071	1
French (models A3G A1G AAG A9G )	46R7072	1
German (models A3G A1G AAG A9G )	46R7073	1
Spanish (models A3G A1G AAG A9G )	46R7074	1
Brazilian (models)	46R7075	1
Italian (models A3G A1G AAG A9G )	46R7076	1
Japanese (models A3J )	46R7077	1
Norwegian (models A3G A1G AAG A9G )	46R7078	1
Swedish (models A3G A1G AAG A9G )	46R1028	1
Danish (models A3G A1G AAG A9G )	46R7079	1
Dutch (models A3G A1G AAG A9G )	46R1030	1
Czech (models A3G A1G AAG A9G )	46R1031	1
Finnish (models A3G A1G AAG A9G )	46R1032	1
Polish (models A3G A1G AAG A9G )	46R1033	1

<b>9087 Vista Business 32 Recovery DVDs</b>	<b>FRU#</b>	<b>CRU</b>
Russian (models A3G A1G AAG A9G )	46R7080	1
Turkish (models A3G A1G AAG A9G )	46R1035	1
Hungarian (models A3G A1G AAG A9G )	46R1036	1
Greek (models A3G A1G AAG A9G )	46R1037	1
Simplified Chinese (models)	46R7081	1
Traditional Chinese (models A5V)	46R7082	1
Traditional Chinese (models A5V)	46R7083	1
Korean (models)	46R1041	1
Slovenian (models A3G A1G AAG A9G )	46R1042	1
Romanian (models A3G A1G AAG A9G )	46R1043	1
Portuguese (models A3G A1G AAG A9G )	46R1044	1
Sebian-Latin (models)	46R1045	1
Slovakian (models A3G A1G AAG A9G )	46R1046	1
Arabic Localized (models)	46R1047	1
Hebrew (models A3G A1G AAG A9G )	46R1048	1

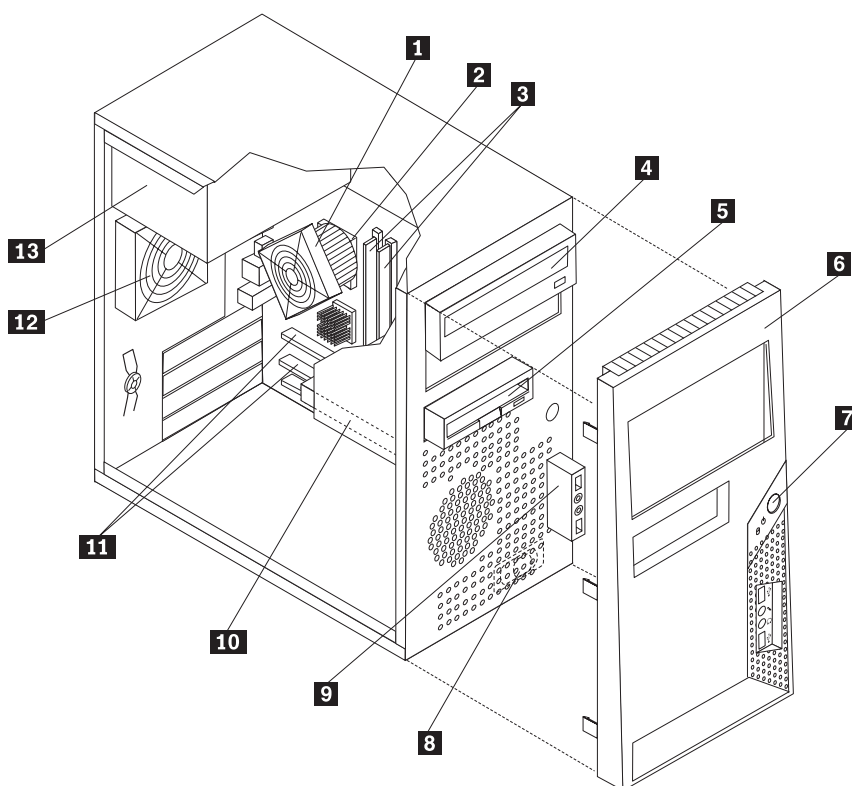
<b>9087 Vista Ultimate 32 Recovery DVDs</b>	<b>FRU#</b>	<b>CRU</b>
English (models)	45R5949	1
Russian English (models)	45R5950	1
French (models)	45R5951	1
German (models)	45R5952	1
Spanish (models)	45R5953	1
Brazilian (models)	45R5954	1
Italian (models)	45R5955	1
Japanese (models)	45R5956	1
Norwegian (models)	45R5957	1
Swedish (models)	45R5958	1
Danish (models)	45R5959	1
Dutch (models)	45R5960	1
Czech (models)	45R5961	1
Finnish (models)	45R5962	1
Polish (models)	45R5963	1
Russian (models)	45R5964	1
Turkish (models)	45R5965	1
Hungarian (models)	45R5966	1
Greek (models)	45R5967	1
Simplified Chinese (models)	45R5968	1
Traditional Chinese (models)	45R5969	1
Traditional Chinese (models)	45R5970	1
Korean (models)	45R5971	1
Slovenian (models)	45R5972	1



9087 Vista Ultimate 32 Recovery DVDs	FRU#	CRU
Hebrew (models)	45R5973	1
Portuguese (models)	45R5974	1
Slovakian (models)	45R5975	1
Arabic Localized (models)	45R5976	1

9087 XP Pro Recovery DVDs	FRU#	CRU
English (models)	45R8811	1
French (models)	45R8812	1
German (models)	45R8813	1
Spanish (models)	45R8814	1
Brazil (models)	45R8815	1
Italian (models)	45R8816	1
Japanese (models)	45R8817	1
Norwegian (models)	45R8818	1
Swedish (models)	45R8819	1
Danish (models)	45R8820	1
Dutch (models)	45R8821	1
Czech (models)	45R8822	1
Finnish (models)	45R8823	1
Hebrew (models)	45R8824	1
Polish (models)	45R8825	1
Arabic (models)	45R8826	1
Russian (models)	45R8827	1
Turkish (models)	45R8828	1
Hungarian (models)	45R8829	1
Greek (models)	45R8830	1
Simplified Chinese (models)	45R8831	1
Taiwan (models)	45R8832	1
HongKong (models)	45R8833	1
Korea (models)	45R8834	1
Russian English (models)	45R8835	1
Portuguese (models)	45R8836	1
Slovenian (models)	45R8837	1

## Machine Type 9088



Item #	9088 FRUs	FRU#	CRU Tier
1	Intel 65W/95w heatsink (all models)	43N9309	2
2	Microprocessor, Core 2 Duo E6550 Processor 2.33GHz 1333MHz FSB 4M L2 (models A5U A5G A5M A5Q A5J A7A A7T A8Q A9Q A4S A4P A4D A4Y A3C ACU ACF AEU AEF AES AEP AEL AED AEY AEG AEM AEA AEQ AET AEC AEB AEH AEV AEK AER AEE AEJ AFA AFT AJG AKU AKF AMS AMY ANC ARU ARF ARS ARD ARL ARD ARY ARG ARM ARA ARQ ART ARC ARB ARH ARV ARK ARR ARE ARJ BEU BEF BES BEP BEL BES BEY BEG BEM BEA BEQ BET BEC BEB BEH BEV BEK BER BEE BEJ BGU BGF BGS BGP BGL BGD BGY BGG BGM BGA BGQ BGT BGC BGB BGH BGV BGK BGR BGE BGJ )	43C3833	N
2	Microprocessor, Core 2 Duo E6750 Processor 2.66GHz 1333MHz FSB 4M L2 G-0 Stepping Level, Mainstream/Value FMB, TXT support (models A6M A1G A2U A2F AAM AAA AAT ABM ABA ABT AGA AGT AHA AHT APU APG APA APH APC APV BFU BFF BFS BFP BFL BFD BFY BFG BFM BFA BFQ BFT BFC BFB BFH BFV BFK BFR BFE BFJ)	43C1693	N
2	Microprocessor, Conroe E6600 Processor 2.40GHz 1066MHz FSB 4M L2 (models B2U B2F B3U B3F B4C)	41X5743	N
2	Microprocessor, Core 2 Duo E2220 Processor 2.4GHz 800MHz FSB 1M L2 65W (models)	45C1774	N
2	Microprocessor, Core 2 Duo E4700 Processor 2.6GHz 800MHz 2M 65W (models)	45R5786	N
2	Microprocessor, Core 2 Duo E6540 Processor 2.33GHz 1333MHz FSB 4M L2 (models CTO)	43C6307	N
2	Microprocessor, Q6600 KENTSFIELD G-0 8MB 4c LGA 2.4GHZ 1066FSB G-0 Stepping Level, 95W (models CTO)	43C1695	N
2	Microprocessor, Q6700 KENTSFIELD G-0 8MB 4c LGA G-0 Stepping Level, 95W2.66GHZ 1066FSB (models CTO)	43C6309	N

Item #	9088 FRUs	FRU#	CRU Tier
2	Microprocessor, Core 2 Duo E4600 Processor 2.4GHz 800MHz FSB 2M L2 M-0 Stepping Level, Mainstream/Value FMB (models)	45C5282	N
2	Microprocessor, Core 2 Duo E2200 Processor 2.2GHz 800MHz FSB 1M L2 M-0 Stepping Level, Mainstream/Value FMB (models)	45C5349	N
2	Microprocessor, Core 2 Duo E8500 Processor 3.16GHz 1333MHz FSB 6M L2 65W (models CTO)	45C7735	N
2	Microprocessor, Core 2 Duo E8400 Processor 3.0GHz 1333MHz FSB 6M L2 65W (models AUM AUA AUQ AUT AUK AUJ BCS BCD BCY BDS BDD BDY B6C B7C )	45C7736	N
2	Microprocessor, Core 2 Duo E8300 Processor 2.83GHz 1333MHz FSB 6M L2 65W (models)	45C7737	N
2	Microprocessor, Core 2 Duo E8200 Processor 2.66GHz 1333MHz FSB 6M L2 65W (models ASM ASA ASQ AST ASK ASJ AWU AWF B1U B1F BAS BAD BAY BBS BBD BBY B5C B8C )	45C7738	N
2	Microprocessor, Core2 Duo E8190 Processor 1333/2600MHz 6M L2 65W Non vPro (models)	45R2568	N
2	Microprocessor, Core 2 Duo E7200 Processor 2.53GHz 1066MHz 3M L2 65W (models)	45R8337	N
2	Microprocessor, Dual Core E1400 Processor 2.0GHz 800MHz 512K L2 65W (models)	45R8339	N
2	Microprocessor, Dual Core E1200 Processor 1.6GHz 800MHz 512K (models)	45R8341	N
2	Microprocessor, Q9550 Yorkfield 2.83GHZ 1333FSB 12M 4/4 L2 95W C1 stepping (models)	45C7739	N
2	Microprocessor, Q9450 Yorkfield 2.66GHZ 1333FSB 12M 4/4 L2 95W C1 stepping (models)	45C7740	N
2	Microprocessor, Q9300 Yorkfield 2.50GHZ 1333FSB 6M 4/4 L2 95W M1 stepping (models)	45C7741	N
2	Microprocessor, Wolfdale Core 2 Duo E7300 Processor 2.66GHz 1066MHz FSB 3M L2 65W M0 Stepping (models)	46R1622	N
2	Microprocessor, Dual Core E1600 Processor 2.4GHz 800MHz 512K L2 65W M0 Stepping Level (models)	46R1655	N
2	Microprocessor, Core 2 Duo E2180 Processor 2.0GHz 800MHz FSB 1M L2 (models)	45C1773	N
3	Memory module, 512 MB PC2-5300 (667MHz) DDR2 SDRAM (models A5U A5G A5M A5Q A5J BAS BAD BAY BBS BBD BBY BCS BCD BCY BDS BDD BDY)	41X4255	2
3	Memory module, 1 GB PC2-5300 (667MHz) DDR2 SDRAM (models A7A A7T A8Q A9Q A6M A1G A2U A2F A3C AAM AAA AAT ABM ABA ABT ACU ACF AFA AFT AGA AGT AHA AHT AJG AKU AKF AMS AMY ANC APU APG APA APH ARU ARF ARS ARD ARL ARD ARY ARG ARM ARA ARQ ART ARC ARB ARH ARV ARK ARR ARE ARJ APC APV ASM ASA ASQ AST ATM ATA ATQ ATT AUM AUA AUT AUQ AVM AVA AVQ AVT ASK ASJ ATK ATJ AUK AUJ AVK AVJ BEU BEF BES BEP BEL BES BEY BEG BEM BEA BEQ BET BEC BEB BEH BEV BEK BER BEE BEJ BFU BFF BFS BFP BFL BFD BFY BFG BFM BFA BFQ BFT BFC BFB BFH BFV BFK BFR BFE BFJ BGU BGF BGS BGP BGL BGD BGY BGG BGM BGA BGQ BGT BGC BGB BGH BGV BGK BGR BGE BGJ AWU AWF B1U B1F B4C B5C B6C B7C B8C B9C)	41X4256	2
3	Memory module, 2 GB PC2-5300 (667MHz) DDR2 SDRAM (models B2U B2F B3U B3F)	41X4257	2

Item #	9088 FRUs	FRU#	CRU Tier
4	DVD-ROM Drive - 16x/48x - SATA XP and Vista (models A5U A5G A5M A5Q A5J A9Q A3C ABM ABA ABT ACU ACF AFT AGA AGT AHA ANC ARU ARF ARS ARD ARL ARD ARY ARG ARM ARA ARQ ART ARC ARB ARH ARV ARK ARR ARE ARJ)	41N3325	2
4	DVD-ROM/CD-RW Combo Drive - 48x/32x/48x/16x - SATA vista and XP (models A7A A7T AEU AEF AES AEP AED AEY AEG AEM AEA AET AEK AER AEQ AEC AEB AEH AEV AKU AKF AMS AMY APU APG APA APH APC APV)	42Y9353	2
4	DVD-RW/CD-RW Rambo 8 - SATA VISTA AND XP (models A8Q A4S A4P A4D A4Y A6M A1G A2U A2F ABM ABA ABT AJG )	43C1042	2
5	Diskette drive, 3,5", 1.44MB, 3Mode,(w/bezel) (models BAS BAD BAY B9C B4C )	40Y9105	2
5	Diskette drive, 3,5", 1.44MB, 3Mode,(w/bezel) (models BAS BAD BAY B9C B4C )	40Y9107	2
6	Bezel assembly (all models)	41N8052	2
7	Power switch/LED assembly (all models)	41N5284	2
8	Speaker assembly, soldered terminals (all models)	39P5023	2
9	Front audio/USB assembly (all models)	41N8054	2
10	Hard disk drive, 80GB (7200RPM), Serial ATA (models A5U A5G A5M A5Q A5J ACU ACF AEU AEF AES AEP AED AEY AEG AEM AEA AET AEK AER AEQ AEC AEB AEH AEV ARU ARF ARS ARD ARL ARD ARY ARG ARM ARA ARQ ART ARC ARB ARH ARV ARK ARR ARE ARJ BAS BAD BAY BCS BCD BCY )	40Y9034	2
10	Hard disk drive, 160GB (7200RPM), Serial ATA (models A7A A7T A8Q A4S A4P A4D A4Y A2U A2F A3C AFA AFT AGA AGT AHA AHT AKU AKF AMS AMY ANC APU APG APA APH APC APV ASM ASA ASQ AST ATM ATA ATQ ATT ASJ ATJ BEU BEF BES BEP BEL BES BEY BEG BEM BEA BEQ BET BEC BEB BEH BEV BEK BER BEE BEJ BFU BFF BFS BFP BFL BFD BFY BFG BFM BFA BFQ BFT BFC BFB BFH BFV BFK BFR BFE BFJ BGU BGF BGS BGP BGL BGD BGY BGG BGM BGA BGQ BGT BGC BGB BGH BGV BGK BGR BGE BGJ AWU AWF B1U B1F B2U B2F B3U B3F BBS BBD BBY BDS BDD BDY B4C B5C B6C B7C B8C)	40Y9035	2
10	Hard disk drive, 250GB (7200RPM), Serial ATA (models A1G AAM AAA AAT ABM ABA ABT AJG )	40Y9036	2
10	Hard disk drive, 320 GB 7200rpm SATA (models AUM AUA AUQ AUT AUK AUJ AVM AVA AVQ AVT AVJ AVK B9C)	87H4891	2
11	System board, Tamdhu II - Saturn non AMT(GA) support 45nm processor (Hard from 45R5312) (models)	46R1842	N
11	System board, Tamdhu II - Saturn AMT(GA) support 45nm processor (Hard from 45R5313) (models A5U A5G A5M A5Q A5J A7T A7A A8Q A9Q A4S A4P A4D A4Y A6M A1G A2U A2F A3C AAM AAA AAT ABM ABA ABT ACU ACF AEU AEF AES AEP AEL AED AEY AEG AEM AEA AEQ AET AEC AEB AEH AEV AEK AER AEE AEJ AFA AFT AGA AGT AHA AHT AJG AKU AKF AMS AMY ANC APU APG APA APH ARU ARF ARS ARD ARL ARD ARY ARG ARM ARA ARQ ART ARC ARB ARH ARV ARK ARR ARE ARJ APC APV ASM ASA ASQ AST ATM ATA ATQ ATT AUM AUA AUT AUQ AVM AVA AVQ AVT ASK ASJ ATK ATJ AUK AUJ AVK AVJ BEU BEF BES BEP BEL BES BEY BEG BEM BEA BEQ BET BEC BEB BEH BEV BEK BER BEE BEJ BFU BFF BFS BFP BFL BFD BFY BFG BFM BFA BFQ BFT BFC BFB BFH BFV BFK BFR BFE BFJ BGU BGF BGS BGP BGL BGD BGY BGG BGM BGA BGQ BGT BGC BGB BGH BGV BGK BGR BGE BGJ AWU AWF B1U B1F B2U B2F B3U B3F BAS BAD BAY BBS BBD BBY BCS BCD BCY BDS BDD BDY B4C B5C B6C B7C B8C B9C BVG BQM BQA BQQ BQT BQK BQJ BRM BRA BRQ BRT BRK BRJ BPM BPA BPQ BPT BPK BPJ BNG BMG)	46R1843	N
12	Fan, Rear w/ grommets & Grill (all models)	41R6046	2

Item #	9088 FRUs	FRU#	CRU Tier
13	Power supply, 280 Watt ATX Power Supply - Standard, Robust (models A5U A5G A5M A5Q A5J A7A A7T A8Q A9Q A4S A4P A4D A4Y A6M A1G A2U A2F A3C AEU AEF AES AEP AED AEY AEG AEM AEA AET AEK AER AEQ AEC AEB AEH AEV AFA AFT AGA AGT AHA AHT AJG AKU AKF AMS AMY ANC APU APG APA APH ARU ARF ARS ARD ARL ARD ARY ARG ARM ARA ARQ ART ARC ARB ARH ARV ARK ARR APC APV ASM ASA ASQ AST ATM ATA ATQ ATT AUM AUA AUT AUQ AVM AVA AVQ AVT ASK ATK AUK AVK BEU BEF BES BEP BEL BES BEY BEG BEM BEA BEQ BET BEC BEB BEH BEV BEK BER BEE BFU BFF BFS BFP BFL BFD BFY BFG BFM BFA BFQ BFT BFC BFB BFH BFV BFK BFR BFE BGU BGF BGS BGP BGL BGD BGY BGG BGM BGA BGQ BGT BGC BGB BGH BGV BGK BGR BGEAWU AWF B1U B1F B2U B2F B3U B3F BAS BAD BAY BBS BBD BBY BCS BCD BCY BDS BDD BDY B4C B5C B6C B7C B8C B9C)	41A9684	2
13	Power supply, 310 Watt ATX Power Supply - Standard, Robust, JP (models ARJ AEJ BFJ AUJ AVJ BEJ BGJ ASJ ATJ )	41A9726	2
13	Power supply, 280 Watt ATX Power Supply - Standard, Robust (models AEU AEC AEB AEH AEV ARQ ANC ARC ARB APH ARH ARV )	41A9665	2

The FRUs listed in the following tables are not illustrated.

9088 FRUs	FRU#	CRU Tier
Shield, 5.25 EMC (all models)	41N8080	2
Shield, diskette drive EMC (all models)	41N8078	2
Cable, Diskette drive (RoHs) (all models)	41A7182	2
Kit, Miscellaneous hardware (all models)	41N8055	2
Retainer, Card Reader (all models)	41R2913	2
Optional HDD Bracket Asm, without 4Pin cable (all models)	41R6106	2
Intrusion Switch asm (all models)	41R6116	2
Bezel, without IBM mark (all models)	41R6243	2
Cover, left side (all models)	41N8050	1
Chassis without IBM mark (all models)	41R6241	N
4 Pin System Fan (all models)	41R6269	2
Hard disk drive tray (all models)	41R6291	N
Fan, front (all models)	41R4791	2
SATA cable,457mm,1 latching for device,RoHS (all models)	43N9013	2
SATA cable,250mm,1 latching for device,RoHS (all models)	43N9012	2
Fru-Cable, Temp Sense Cable (460mm) (all models)	41R2509	2
FRU - Blank 5.25" Bezel (all models)	41N8077	2

9088 Keyboards (USB Preferred - without hub)	FRU#	CRU Tier
US English (models A5U A5G A5M A5Q A7A A8Q A9Q A6M A1G A2U AAM AAA ABM ABA ACU AEU AEG AEM AEA AEQ AEH AER AEE AKU ARU AJG APG ARG ARM AFA AGA AHA APA ARA ARQ APH APH ARR ARE ASM ASA ASQ ATM ATA ATQ AUM AUA AUQ AVM AVA AVQ BEM BEA BEQ BEH BER BEE BFM BFA BFQ BFH BFR BFE BGM BGA BGQ BGR BGH BGE AWU B1U B2U B3U )	41A5289	1
Arabic (models A5G A1G AEG AJG APG ARG ASG ATG AUG AVG BEG BFG BGG )	41A5290	1
Belgian/French (models A5G A1G AEG AJG APG ARG ASG ATG AUG AVG BEG BFG BGG )	41A5292	1

9088 Keyboards (USB Preferred - without hub)	FRU#	CRU Tier
Belgian/UK (models A5G A1G AEG AJG APG ARG ASG ATG AUG AVG BEG BFG BGG )	41A5293	1
Brazilian (models A4P AEP ARP BEP BFP BGP)	41A5294	1
Bulgarian (models A5G A1G AEG AJG APG ARG ASG ATG AUG AVG BEG BFG BGG )	41A5295	1
Chinese/US (models A5G A1G AEG AJG APG ARG APV BEV BFV BGV)	41A5296	1
Czech (models A5G A1G AEG AJG APG ARG ASG ATG AUG AVG BEG BFG BGG )	41A5297	1
Danish (models A5G A1G AEG AJG APG ARG ASG ATG AUG AVG BEG BFG BGG)	41A5298	1
Dutch (models A5G A1G AEG AJG APG ARG)	41A5299	1
French (models A5G A1G AEG AJG APG ARG ASG ATG AUG AVG BEG BFG BGG)	41A5300	1
French Canadian 445 (models A2F ACF AEF BEF BFF BGF AWF B1F B2F B3F)	41A5301	1
French Canadian 58 (models A2F ACF AEF BEF BFF BGF AWF B1F B2F B3F)	41A5302	1
German (models A5G A1G AEG AJG APG ARG ASG ATG AUG AVG BEG BFG BGG)	41A5303	1
Greek (models A5G A1G AEG AJG APG ARG ASG ATG AUG AVG BEG BFG BGG)	41A5304	1
Greek/US (models A5G A1G AEG AJG APG ARG ASG ATG AUG AVG BEG BFG BGG )	41A5305	1
Hebrew (models A5G A1G AEG AJG APG ARG ASG ATG AUG AVG BEG BFG BGG)	41A5306	1
Hungarian (models A5G A1G AEG AJG APG ARG ASG ATG AUG AVG BEG BFG BGG)	41A5307	1
Iceland (models A5G A1G AEG AJG APG ARG ASG ATG AUG AVG BEG BFG BGG)	41A5308	1
Italian 141 (models A5G A1G AEG AJG APG ARG ASG ATG AUG AVG BEG BFG BGG)	41A5309	1
Japan (models AEJ ARJ ASJ ATJ AUJ AVJ BEJ BFJ BGJ )	41A5310	1
Korean (models A1K ARK ASK ATK AUK AVK BEK BFK BGK )	41A5311	1
LA Spanish (models A4S A4D A4Y AES AED AEY AMS ARS ARD AMY ARY BAS BAD BAY BBS BBD BBY BCS BCD BCY BDS BDD BDY)	41A5312	1
Norwegian (models A5G A1G AEG AJG APG ARG ASG ATG AUG AVG BEG BFG BGG )	41A5313	1
Polish (models A5G A1G AEG AJG APG ARG ASG ATG AUG AVG BEG BFG BGG )	41A5314	1
Portuguese (models A5G A1G AEG AJG APG ARG ASG ATG AUG AVG BEG BFG BGG )	41A5315	1
Romanian 096 (models A5G A1G AEG AJG APG ARG ASG ATG AUG AVG BEG BFG BGG )	41A5317	1
Romanian 446 (models A5G A1G AEG AJG APG ARG ASG ATG AUG AVG BEG BFG BGG )	41A5316	1
Russian/Cyrillic (models A5G A1G AEG AJG APG ARG ASG ATG AUG AVG BEG BFG BGG )	41A5318	1
Serbian/Cyrillic (models A5G A1G AEG AJG APG ARG ASG ATG AUG AVG BEG BFG BGG )	41A5319	1
Slovak (models A5G A1G AEG AJG APG ARG ASG ATG AUG AVG BEG BFG BGG )	41A5320	1
Spanish (models A5G A1G AEG AJG APG ARG ASG ATG AUG AVG BEG BFG BGG )	41A5321	1
Swedish/Finn (models A5G A1G AEG AJG APG ARG ASG ATG AUG AVG BEG BFG BGG )	41A5322	1
Swiss (models A5G A1G AEG AJG APG ARG ASG ATG AUG AVG BEG BFG BGG )	41A5323	1
Thailand (models A7T AAT ABT AET AFT AGT AHT ART BET BFT BGT )	41A5324	1
Turkish 440 (models A5G A1G AEG AJG APG ARG ASG ATG AUG AVG BEG BFG BGG )	41A5325	1
Turkish 179 (models A5G A1G AEG AJG APG ARG ASG ATG AUG AVG BEG BFG BGG )	41A5326	1
UK English (models A5G A1G AEG AJG APG ARG ASG ATG AUG AVG BEG BFG BGG )	41A5327	1
US Euro (models A5G A1G AEG AJG APG ARG ASG ATG AUG AVG BEG BFG BGG )	41A5328	1

9088 Keyboards (USB Preferred - without hub)	FRU#	CRU Tier
Slovenian (models A5G A1G AEG AJG APG ARG ASG ATG AUG AVG BEG BFG BGG )	41A5329	1

9088 Keyboards (Fingerprint Reader USB)	FRU#	CRU Tier
US English (models)	41A5248	1
Arabic (models)	41A5249	1
Arabic/French (models)	41A5250	1
Belgian/French (models)	41A5251	1
Belgian/UK (models)	41A5252	1
Brazil/Portuguese (models)	41A5253	1
Bulgarian (models)	41A5254	1
Chinese (models)	41A5255	1
Czech (models)	41A5256	1
Danish (models)	41A5257	1
Dutch (models)	41A5258	1
French (models)	41A5259	1
French Canadian 445 (models)	41A5260	1
French Canadian 58 (models)	41A5261	1
German (models)	41A5262	1
Greek (models)	41A5263	1
Greek/US (models)	41A5264	1
Hebrew (models)	41A5265	1
Hungarian (models)	41A5266	1
Iceland (models)	41A5267	1
Italian 141 (models)	41A5268	1
Japanese (models)	41A5269	1
Korean (models)	41A5270	1
LA Spanish (models)	41A5271	1
Norwegian (models)	41A5272	1
Polish (models)	41A5273	1
Portuguese (models)	41A5274	1
Romanian 096 (models)	41A5275	1
Romanian 446 (models)	41A5276	1
Russian/Cyrillic (models)	41A5277	1
Serbian/Cyrillic (models)	41A5278	1
Slovak (models)	41A5279	1
Spanish (models)	41A5280	1
Swedish/Finn (models)	41A5281	1
Swiss (models)	41A5282	1
Thailand (models)	41A5283	1
Turkish 440 (models)	41A5284	1
Turkish 179 (models)	41A5285	1

9088 Keyboards (Fingerprint Reader USB)	FRU#	CRU Tier
UK English (models)	41A5286	1
US Euro (models)	41A5287	1
Slovenian (models)	41A5288	1

9088 mice	FRU#	CRU Tier
Optical Wheel Mouse (400DPI, USB) (models A5U A5G A5M A5Q A5J A7A A7T A8Q A9Q A4S A4P A4D A4Y A6M A1G A2U A2F A3C AAM AAA AAT ABM ABA ABT ACU ACF AEU AEF AES AEP AED AEY AEG AEM AEA AET AEK AER AEQ AEC AEB AEH AEV AFA AFT AGA AGT AHA AHT AJG AKU AKF AMS AMY ANC APU APG APA APH ARU ARF ARS ARD ARL ARD ARY ARG ARM ARA ARQ ART ARC ARB ARH ARV ARK ARR ARE ARJ APC APV)	41U3013	1
Optical Wheel Mouse (400DPI, USB) (models A5U A5G A5M A5Q A5J A7A A7T A8Q A9Q A4S A4P A4D A4Y A6M A1G A2U A2F A3C AAM AAA AAT ABM ABA ABT ACU ACF AEU AEF AES AEP AED AEY AEG AEM AEA AET AEK AER AEQ AEC AEB AEH AEV AFA AFT AGA AGT AHA AHT AJG AKU AKF AMS AMY ANC APU APG APA APH ARU ARF ARS ARD ARL ARD ARY ARG ARM ARA ARQ ART ARC ARB ARH ARV ARK ARR ARE ARJ APC APV)	41U3030	1

9088 Adapters and miscellaneous FRUs	FRU#	CRU
Speaker Power brick - US, Canada, LA low voltage, ASEAN (models A5U A7A A2U ACU AEU AES AEA AKU APU ARU AMS ARS AFA AGA AHA APA ARA BEU BES BEA BFU BFS BFA BGU BGS BGA AWU B1U B2U B3U BAS BBS BCS BDS)	89P8571	1
Speaker Power brick - LA high voltage (non-APU) (models AED AEY ARD AMY ARY BED BEY BFD BFY BGD BGY BAD BAY BBD BBY BCD BCY BDD BDY)	89P8575	1
Speaker Power brick - China, Thailand (models A3C AEC AET ANC ARC AFT AGT AHT ART APC BEC BFC BGC B4C B5C B6C B7C B8C B9C)	89P8581	1
Speaker Power brick - Japan (models A5J AEJ ARJ ASJ ATJ AUJ AVJ BEJ BFJ BGJ )	89P8577	1
Speaker Power brick - Brazil (models ARP BEP BFP BGP)	89P8583	1
Speaker Power brick - ANZ (models A6M A5M AAM ABM AEM ASM ATM AUM AVM BEM BFM BGM)	89P8579	1
Speaker Power brick - Taiwan (models APV BEV BFV BGV )	41A4905	1
Speaker Power brick - India, South Africa (models A5Q A8Q A9Q AEQ ARQ ASQ ATQ AUQ AVQ BEQ BFQ BGQ)	89P8585	1
ATI HD 2600XT(RV630XT) 512MB 128BIT ATX, PCIe x16, Dual DVI-I/S-Video (models CTO)	43C0261	2
ATI RV610 256M LP, PCIe x16, DMS59/S-Video (models)	46R4160	2
ATI RV610 128M ATX, PCIe x16, DMS59/S-Video (models)	46R4159	2
DVI-VGA Dongle (models CTO)	45C7816	1
USB2.0 MEMORY CARDREADER,6X2,ROHS (models CTO)	45R1883	2
ODD/FDD/Cardreader Retainers (all models)	43N9351	2
20-in-1 Card Reader (all models)	45R8139	2
Temp Sense Cable (165 mm) (all models)	43N9079	2



9088 Power Cords	FRU#	CRU Tier
Line Cord - US (models A5U A7A A7T A4S A4D A2U A2F AAA ABA AAT ABT ACU ACF AEU AEF AES AED AEL AEA AET AFT AGT AHT BEU BFU BGU AUU B1U B2U B3U BEF BFF BGF AUF B1F B2F B3F BES BFS BGS BAS BBS BCS BDS ASA ATA AUA AVA BEA BFA BGA BAD BBD BCD BDD BET BFT BGT BQA BRA BPA BQT BRT BPT)	41R3184	1
Line Cord - US (models A5U A7A A7T A4S A4D A2U A2F AAA ABA AAT ABT ACU ACF AEU AEF AES AED AEL AEA AET AFT AGT AHT BEU BFU BGU AUU B1U B2U B3U BEF BFF BGF AUF B1F B2F B3F BES BFS BGS BAS BBS BCS BDS ASA ATA AUA AVA BEA BFA BGA BAD BBD BCD BDD BET BFT BGT BQA BRA BPA BQT BRT BPT)	41R3185	1
Line Cord - China (models A3C AEC ANC ARC APC BEC BFC BGC B4C B5C B6CB7C B8C B9C)	41R3256	1
Line Cord - China (models A3C AEC ANC ARC APC BEC BFC BGC B4C B5C B6CB7C B8C B9C)	41R3257	1
Line Cord - Brazil (models A4P AEP ARP BEP BFP BGP )	41R3270	1
Line Cord - Brazil (models A4P AEP ARP BEP BFP BGP )	41R3271	1
Line Cord - LA High Volt (APU) (models A4Y AEY AEL ARL AMY ARY BEY BEL BFY BFL BGY BGL BAY BBY BCY BDY )	41R3176	1
Line Cord - LA High Volt (APU) (models A4Y AEY AEL ARL AMY ARY BEY BEL BFY BFL BGY BGL BAY BBY BCY BDY )	41R3177	1
Line Cord - Korea (models ARK ARR ASK ATK AUK AVK BEK BFK BGK BER BFR BGR BPK BQK BRK)	41R3260	1
Line Cord - Korea (models ARK ARR ASK ATK AUK AVK BEK BFK BGK BER BFR BGR BPK BQK BRK)	41R3261	1
Line Cord - UK, Ireland, Singapore, Malaysia, Brunei (models A5G A7A A1G AAA ABA AEG AEA AJG APG ARG AFA AGA AHA APA ARA ASG ATG AUG AVG BEG BFG BGG ASA ATA AUA AVA BEA BFA BGA BVG BQA BRA BPA BVG BNG BMG )	41R3224	1
Line Cord - UK, Ireland, Singapore, Malaysia, Brunei (models A5G A7A A1G AAA ABA AEG AEA AJG APG ARG AFA AGA AHA APA ARA ASG ATG AUG AVG BEG BFG BGG ASA ATA AUA AVA BEA BFA BGA BVG BQA BRA BPA BVG BNG BMG )	41R3225	1
Line Cord - Taiwan (models AEV ARV APV BEV BFV BGV )	41R3278	1
Line Cord - Taiwan (models AEV ARV APV BEV BFV BGV )	41R3279	1
Line Cord - Italy (models A5G A4S A1G AES AEY AEL AEG AMS ARS AMY ARY ARL AJG APG ARG ASG ATG AUG AVG BEG BFG BGG BES BFS BGS BAS BBS BCS BDS BEL BFL BGL )	41R3232	1
Line Cord - Italy (models A5G A4S A1G AES AEY AEL AEG AMS ARS AMY ARY ARL AJG APG ARG ASG ATG AUG AVG BEG BFG BGG BES BFS BGS BAS BBS BCS BDS BEL BFL BGL )	41R3233	1
Line Cord - Indonesia, Laos, Cambodia, and Vietnam (models A7A AEA AAA ABA AEA AFA AGA AHA APA ARA ASA ATA AUA AVA BEA BFA BGA BQA BRA BPA BNG BMG )	41R3208	1
Line Cord - Indonesia, Laos, Cambodia, and Vietnam (models A7A AEA AAA ABA AEA AFA AGA AHA APA ARA ASA ATA AUA AVA BEA BFA BGA BQA BRA BPA BNG BMG )	41R3209	1
Line Cord - Denmark (models A5G A1G AEG AJG APG ARG ASG ATG AUG AVG BEG BFG BGG BVG BNG BMG)	41R3212	1
Line Cord - Denmark (models A5G A1G AEG AJG APG ARG ASG ATG AUG AVG BEG BFG BGG BVG BNG BMG)	41R3213	1
Line Cord - Switzerland (models A5G A1G AEG AJG APG ARG ASG ATG AUG AVG BEG BFG BGG BVG BNG BMG)	41R3228	1
Line Cord - Switzerland (models A5G A1G AEG AJG APG ARG ASG ATG AUG AVG BEG BFG BGG BVG BNG BMG)	41R3229	1

9088 Power Cords	FRU#	CRU Tier
Line Cord - Israel (models A5G A1G AEG AJG APG ARG ASG ATG AUG AVG BEG BFG BGG BVG BNG BMG)	41R3236	1
Line Cord - Israel (models A5G A1G AEG AJG APG ARG ASG ATG AUG AVG BEG BFG BGG BVG BNG BMG)	41R3237	1
Line Cord - South Africa (models A5G A1G AEG AJG APG ARG ASG ATG AUG AVG BEG BFG BGG BVG BNG BMG)	41R3220	1
Line Cord - South Africa (models A5G A1G AEG AJG APG ARG ASG ATG AUG AVG BEG BFG BGG BVG BNG BMG)	41R3221	1
Line Cord - India (models A5Q A8Q A9Q AEQ ARQ ASQ ATQ AUQ AVQ BEQ BFQ BGQ)	41R3341	1
Line Cord - India (models A5Q A8Q A9Q AEQ ARQ ASQ ATQ AUQ AVQ BEQ BFQ BGQ)	41R3175	1
Line Cord - Japan (models AEE AEJ ARE ARJ BEE BEJ BFE BFJ BGE BGJ ASJ ATJ AUJ AVJ BQJ BRJ BPJ )	41R3248	1
Line Cord - Japan (models AEE AEJ ARE ARJ BEE BEJ BFE BFJ BGE BGJ ASJ ATJ AUJ AVJ BQJ BRJ BPJ )	41R3249	1
Line Cord - ANZ (models A5M A6M AAM ABM AEM ARM ASM ATM AUM AVM BEM BFM BGM )	41R3196	1
Line Cord - ANZ (models A5M A6M AAM ABM AEM ARM ASM ATM AUM AVM BEM BFM BGM )	41R3197	1
Line Cord - Hong Kong (models AEB AEH ARB APH ARH BEB EBH BFB BFH BGH BGB)	41R3224	1
Line Cord - Hong Kong (models AEB AEH ARB APH ARH BEB EBH BFB BFH BGH BGB)	41R3225	1

9088 Windows XP Home Recovery CDs	FRU#	CRU
English (models CTO)	45R6005	1
French (models CTO)	45R6006	1
German (models CTO)	45R6007	1
Spanish (models CTO)	45R6008	1
Brazil (models CTO)	45R6009	1
Italian (models)	45R6010	1
Japanese (models)	45R6011	1
Norwegian (models CTO)	45R6012	1
Swedish (models CTO)	45R6013	1
Danish (models CTO)	45R6014	1
Dutch (models CTO)	45R6015	1
Czech (models CTO)	45R6016	1
Finnish (models CTO)	45R6017	1
Hebrew (models CTO)	45R6018	1
Polish (models CTO)	45R6019	1
Arabic (models CTO)	45R6020	1
Russian (models CTO)	45R6021	1
Turkish (models CTO)	45R6022	1
Hungarian (models CTO)	45R6023	1
Greek (models CTO)	45R6024	1

9088 Windows XP Home Recovery CDs	FRU#	CRU
Simplified Chinese (models CTO)	45R6025	1
Taiwan (models CTO)	45R6026	1
HongKong (models CTO)	45R6027	1
Korea (models CTO)	45R6028	1
Russian English (models CTO)	45R6029	1
Portuguese (models CTO)	45R6030	1

9088 Windows XP Pro Recovery CDs	FRU#	CRU
English (models A5U A5M A5Q A5G A7A A8Q A9Q A6M A1G AAM ABM AAA ABA ACU AEU AEG AEM AEA AEQ AEH AER AEE AFA AGA AHA AJA AJG APG ARG AKU APU ARU ARM APA ARA ARQ APH ARH ARR ARE BEU BEG BEM BEA BEQ BEH BER BEE BFU BFG BFM BFA BFQ BFH BFR BFE B1U B2U)	45R5979	1
French (models A5G A1G A2F ACF AEF AEG AJG APG ARG AKF ARF BEG BEF BFG BFF B1F B2F)	45R5980	1
German (models A5G A1G AEG AJG APG ARG BEG BFG)	45R5981	1
Spanish (models AMS AMY BES BED BEY BFS BFD BFY)	45R5982	1
Brazil (models A4P AEP ARP BEP BFP)	45R5983	1
Italian (models A5G A1G AEG AJG APG ARG BEG BFG )	45R5984	1
Japanese (models ARJ BEJ BFJ )	45R5985	1
Norwegian (models A5G A1G AEG AJG APG ARG BEG BFG)	45R5986	1
Swedish (models A5G A1G AEG AJG APG ARG BEG BFG)	45R5987	1
Danish (models A5G A1G AEG AJG APG ARG BEG BFG)	45R5988	1
Dutch (models A5G A1G AEG AJG APG ARG BEG BFG)	45R5989	1
Czech (models A5G A1G AEG AJG APG ARG BEG BFG)	45R5990	1
Finnish (models A5G A1G AEG AJG APG ARG BEG BFG)	45R5991	1
Hebrew (models A5G A1G AEG AJG APG ARG BEG BFG)	45R5992	1
Polish (models A5G A1G AEG AJG APG ARG BEG BFG)	45R5993	1
Arabic (models A5G A1G AEG AJG APG ARG BEG BFG)	45R5994	1
Russian (models A5G A1G AEG AJG APG ARG BEG BFG)	45R5995	1
Turkish (models A5G A1G AEG AJG APG ARG BEG BFG)	45R5996	1
Hungarian (models A5G A1G AEG AJG APG ARG BEG BFG)	45R5997	1
Greek (models A5G A1G AEG AJG APG ARG BEG BFG)	45R5998	1
Simplified Chinese (models A3C AEC ANC ARC BEC BFC B5C B6C B7C B8C)	45R5999	1
Taiwan (models AEV BEV BFV)	45R6000	1
HongKong (models AEB ARB BEB BFB )	45R6001	1
Korea (models AEK BEK BFK )	45R6002	1
Russian English (models A5G A1G AEG AJG APG ARG BEG BFG )	45R6003	1
Portuguese (models A5G A1G AEG AJG APG ARG BEG BFG )	45R6004	1
MUL 1 - EN, NL, FR, GR, IT (models A5G A1G AEG AJG APG ARG BEG BFG )	45R5977	1
MUL 2 - EN, DK, FI, NO, SV (models A5G A1G AEG AJG APG ARG BEG BFG )	45R5978	1

9088 Vista Home Basic 32 Recovery DVDs	FRU#	CRU
English (models)	46R7098	1
Russian English (models CTO)	46R7099	1
French (models CTO)	46R7100	1
German (models CTO)	46R7101	1
Spanish (models CTO)	46R7102	1
Brazilian (models CTO)	46R7103	1
Italian (models CTO)	46R7104	1
Japanese (models)	46R7105	1
Norwegian (models CTO)	46R7106	1
Swedish (models CTO)	46R1086	1
Danish (models CTO)	46R7107	1
Dutch (models CTO)	46R1088	1
Czech (models CTO)	46R1089	1
Finnish (models CTO)	46R1090	1
Polish (models CTO)	46R1091	1
Russian (models CTO)	46R7108	1
Turkish (models CTO)	46R1093	1
Hungarian (models CTO)	46R1094	1
Greek (models CTO)	46R1095	1
Simplified Chinese (models CTO)	46R7109	1
Taiwan (models CTO)	46R7110	1
HongKong (models CTO)	46R7111	1
Korea (models)	46R1099	1
Slovenian (models CTO)	46R1100	1
Hebrew (models CTO)	46R1101	1
Portuguese (models CTO)	46R1102	1
Arabic Localized (models CTO)	46R1103	1
Slovakia (models CTO)	46R1104	1

9088 Vista Business 32 Recovery DVDs	FRU#	CRU
English (models A5U A5M A5Q A5G A7A A8Q A9Q A6M A1G AAM ABM AAA ABA ACU AEU AEG AEM AEA AEQ AEH AER AEE AFA AGA AHA AJA AJG APG ARG AKU APU ARU ARM APA ARA ARQ APH ARH ARR ARE ASM ASA ASQ ATM ATA ATQ AUM AUA AUQ AVM AVA AVQ BGU BGG BGM BGA BGQ BGH BGR BGE AWU B3U BVG BRM BRA BRQ BPM BPA BPQ BNG BMG )	46R7070	1
Russian English (models A5G A1G AEG AJG APG ARG AGG BVG BMG BNG)	46R7071	1
French (models A5G A1G A2F ACF AEF AEG AJG APG ARG AKF ARF BGG BGF AWF B3F BMG BNG)	46R7072	1
German (models A5G A1G AEG AJG APG ARG AGG BVG BMG BNG)	46R7073	1
Spanish (models A5G A4S A4D A4Y A1G AES AED AEY AEG AJG APG ARG AMS ARS ARD AMY ARY BAS BAD BAY BBS BBD BBY BCS BCD BCY BDS BDD BDY BVG BMG BNG)	46R7074	1
Brazilian (models A4P AEP ARP)	46R7075	1

<b>9088 Vista Business 32 Recovery DVDs</b>	<b>FRU#</b>	<b>CRU</b>
Italian (models A5G A1G AEG AJG APG ARG AGG BVG BMG BNG)	46R7076	1
Japanese (models ARJ ASJ ATJ AUJ AVJ AGJ BRJ BPJ )	46R7077	1
Norwegian (models A5G A1G AEG AJG APG ARG AGG BVG BMG BNG)	46R7078	1
Swedish (models A5G A1G AEG AJG APG ARG AGG BVG BMG BNG)	46R1028	1
Danish (models A5G A1G AEG AJG APG ARG AGG BVG BMG BNG)	46R7079	1
Dutch (models A5G A1G AEG AJG APG ARG AGG BVG BMG BNG)	46R1030	1
Czech (models A5G A1G AEG AJG APG ARG AGG BVG BMG BNG)	46R1031	1
Finnish (models A5G A1G AEG AJG APG ARG AGG BVG BMG BNG)	46R1032	1
Polish (models A5G A1G AEG AJG APG ARG AGG BVG BMG BNG)	46R1033	1
Russian (models A5G A1G AEG AJG APG ARG AGG BVG BMG BNG)	46R7080	1
Turkish (models A5G A1G AEG AJG APG ARG AGG BVG BMG BNG)	46R1035	1
Hungarian (models A5G A1G AEG AJG APG ARG AGG BVG BMG BNG)	46R1036	1
Greek (models A5G A1G AEG AJG APG ARG AGG BVG BMG BNG)	46R1037	1
Simplified Chinese (models A3C AEC ANC ARC APC AGC B4C)	46R7081	1
Traditional Chinese (models AEV APV AGV AEB ARB AGB)	46R7082	1
Traditional Chinese (models AEV APV AGV AEB ARB AGB)	46R7083	1
Korean (models AEK ASK ATK AUK AVK AGK BRK BPK)	46R1041	1
Slovenian (models A5G A1G AEG AJG APG ARG AGG BVG BMG BNG)	46R1042	1
Romanian (models A5G A1G AEG AJG APG ARG AGG BVG BMG BNG )	46R1043	1
Portuguese (models A5G A1G AEG AJG APG ARG AGG BVG BMG BNG)	46R1044	1
Sebian-Latin (models)	46R1045	1
Slovakian (models A5G A1G AEG AJG APG ARG AGG BVG BMG BNG)	46R1046	1
Arabic Localized (models)	46R1047	1
Hebrew (models A5G A1G AEG AJG APG ARG AGG BVG BMG BNG)	46R1048	1

<b>9088 Vista Ultimate 32 Recovery DVDs</b>	<b>FRU#</b>	<b>CRU</b>
English (models)	45R5949	1
Russian English (models)	45R5950	1
French (models)	45R5951	1
German (models)	45R5952	1
Spanish (models)	45R5953	1
Brazilian (models)	45R5954	1
Italian (models)	45R5955	1
Japanese (models)	45R5956	1
Norwegian (models)	45R5957	1
Swedish (models)	45R5958	1
Danish (models)	45R5959	1
Dutch (models)	45R5960	1
Czech (models)	45R5961	1
Finnish (models)	45R5962	1
Polish (models)	45R5963	1

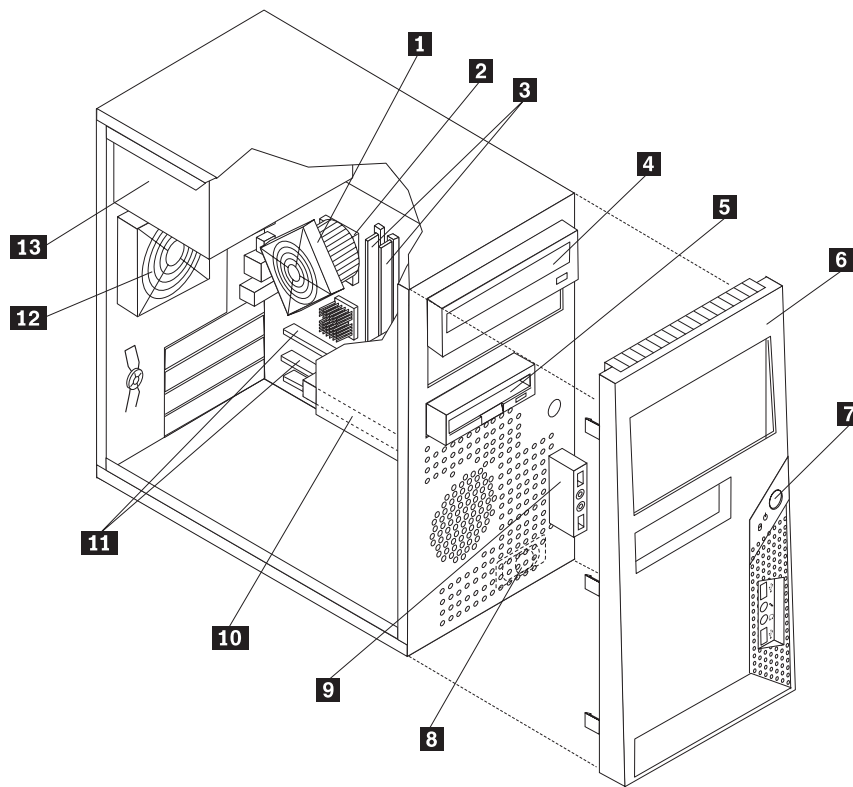
9088 Vista Ultimate 32 Recovery DVDs	FRU#	CRU
Russian (models)	45R5964	1
Turkish (models)	45R5965	1
Hungarian (models)	45R5966	1
Greek (models)	45R5967	1
Simplified Chinese (models)	45R5968	1
Traditional Chinese (models)	45R5969	1
Traditional Chinese (models)	45R5970	1
Korean (models)	45R5971	1
Slovenian (models)	45R5972	1
Hebrew (models)	45R5973	1
Portuguese (models)	45R5974	1
Slovakian (models)	45R5975	1
Arabic Localized (models)	45R5976	1

9088 Vista Business 64 Recovery DVDs	FRU#	CRU
English (models CTO)	46R7084	1
Russian English (models CTO)	46R7085	1
French (models CTO)	46R7086	1
German (models CTO)	46R7087	1
Spanish (models CTO)	46R7088	1
Brazil (models CTO)	46R7089	1
Italian (models CTO)	46R7090	1
Japanese (models CTO)	46R7091	1
Norwegian (models CTO)	46R7092	1
Swedish (models CTO)	46R1058	1
Danish (models CTO)	46R7093	1
Dutch (models CTO)	46R1060	1
Czech (models CTO)	46R1061	1
Finnish (models CTO)	46R1062	1
Polish (models CTO)	46R1063	1
Russian (models CTO)	46R7094	1
Turkish (models CTO)	46R1065	1
Hungarian (models CTO)	46R1066	1
Greek (models CTO)	46R1067	1
Simplified Chinese (models B9C)	46R7095	1
Taiwan (models CTO)	46R7096	1
HongKong (models CTO)	46R7097	1
Korea (models CTO)	46R1071	1
Russian English (models CTO)	46R1072	1
Portuguese (models CTO)	46R1073	1
Hebrew (models CTO)	46R1074	1

9088 Vista Business 64 Recovery DVDs	FRU#	CRU
Portuguese (models CTO)	46R1075	1
Slovakian (models CTO)	46R1076	1

9088 XP Pro Recovery DVDs	FRU#	CRU
English (models)	45R8811	1
French (models)	45R8812	1
German (models)	45R8813	1
Spanish (models)	45R8814	1
Brazil (models)	45R8815	1
Italian (models)	45R8816	1
Japanese (models)	45R8817	1
Norwegian (models)	45R8818	1
Swedish (models)	45R8819	1
Danish (models)	45R8820	1
Dutch (models)	45R8821	1
Czech (models)	45R8822	1
Finnish (models)	45R8823	1
Hebrew (models)	45R8824	1
Polish (models)	45R8825	1
Arabic (models)	45R8826	1
Russian (models)	45R8827	1
Turkish (models)	45R8828	1
Hungarian (models)	45R8829	1
Greek (models)	45R8830	1
Simplified Chinese (models)	45R8831	1
Taiwan (models)	45R8832	1
HongKong (models)	45R8833	1
Korea (models)	45R8834	1
Russian English (models)	45R8835	1
Portuguese (models)	45R8836	1
Slovenian (models)	45R8837	1

## Machine Type 9160



Item #	9160 FRUs	FRU#	CRU Tier
1	Intel 65W/95w heatsink (all models)	43N9309	2
2	Microprocessor, Core 2 Duo E6550 Processor 2.33GHz 1333MHz FSB 4M L2 (models A1U A1F A1S A1P A1L A1D A1Y A1G A1M A1A A1Q A1T A1C A1B A1H A1V A1R A1E A1J)	43C3833	N
2	Microprocessor, Core 2 Duo E2220 Processor 2.4GHz 800MHz FSB 1M L2 65W (models)	45C1774	N
2	Microprocessor, Core 2 Duo E4700 Processor 2.6GHz 800MHz 2M 65W (models)	45R5786	N
2	Microprocessor, Core 2 Duo E6540 Processor 2.33GHz 1333MHz FSB 4M L2 (models CTO)	43C6307	N
2	Microprocessor, Q6600 KENTSFIELD G-0 8MB 4c LGA 2.4GHZ 1066FSB G-0 Stepping Level, 95W (models CTO)	43C1695	N
2	Microprocessor, Q6700 KENTSFIELD G-0 8MB 4c LGA G-0 Stepping Level, 95W 2.66GHZ 1066FSB (models CTO)	43C6309	N
2	Microprocessor, Core 2 Duo E4600 Processor 2.4GHz 800MHz FSB 2M L2 M-0 Stepping Level, Mainstream/Value FMB (models)	45C5282	N
2	Microprocessor, Core 2 Duo E2200 Processor 2.2GHz 800MHz FSB 1M L2 M-0 Stepping Level, Mainstream/Value FMB (models)	45C5349	N
2	Microprocessor, Core 2 Duo E8500 Processor 3.16GHz 1333MHz FSB 6M L2 65W (models CTO)	45C7735	N
2	Microprocessor, Core 2 Duo E8400 Processor 3.0GHz 1333MHz FSB 6M L2 65W (models)	45C7736	N
2	Microprocessor, Core 2 Duo E8300 Processor 2.83GHz 1333MHz FSB 6M L2 65W (models)	45C7737	N



Item #	9160 FRUs	FRU#	CRU Tier
2	Microprocessor, Core 2 Duo E8200 Processor 2.66GHz 1333MHz FSB 6M L2 65W (models)	45C7738	N
2	Microprocessor, Core2 Duo E8190 Processor 1333/2600MHz 6M L2 65W Non vPro (models)	45R2568	N
2	Microprocessor, Core 2 Duo E7200 Processor 2.53GHz 1066MHz 3M L2 65W (models)	45R8337	N
2	Microprocessor, Dual Core E1400 Processor 2.0GHz 800MHz 512K L2 65W (models)	45R8339	N
2	Microprocessor, Dual Core E1200 Processor 1.6GHz 800MHz 512K (models)	45R8341	N
2	Microprocessor, Q9550 Yorkfield 2.83GHZ 1333FSB 12M 4/4 L2 95W C1 stepping (models)	45C7739	N
2	Microprocessor, Q9450 Yorkfield 2.66GHZ 1333FSB 12M 4/4 L2 95W C1 stepping (models)	45C7740	N
2	Microprocessor, Q9300 Yorkfield 2.50GHZ 1333FSB 6M 4/4 L2 95W M1 stepping (models)	45C7741	N
3	Memory module, 1 GB PC2-5300 (667MHz) DDR2 SDRAM (models A1U A1F A1S A1P A1L A1D A1Y A1G A1M A1A A1Q A1T A1C A1B A1H A1V A1R A1E A1J)	41X4256	2
4	DVD-ROM/CD-RW Combo Drive - 48x/32x/48x/16x - SATA vista and XP (models A1U A1F A1S A1P A1L A1D A1Y A1G A1M A1A A1Q A1T A1C A1B A1H A1V A1R A1E A1J)	42Y9353	2
5	Diskette drive, 3,5", 1.44MB, 3Mode,(w/bezel) (models)	40Y9105	2
5	Diskette drive, 3,5", 1.44MB, 3Mode,(w/bezel) (models)	40Y9107	2
6	Bezel assembly (all models)	41N8052	2
7	Power switch/LED assembly (all models)	41N5284	2
8	Speaker assembly, soldered terminals (models)	39P5023	2
9	Front audio/USB assembly (all models)	41N8054	2
10	Hard disk drive, 80GB (7200RPM), Serial ATA (models A1U A1F A1S A1P A1L A1D A1Y A1G A1M A1A A1Q A1T A1C A1B A1H A1V A1R A1E A1J)	40Y9034	2
11	System board, Tamdhu II - Saturn non AMT(GA) support 45nm processor;RockyS III - Saturn non AMT(GA) (models)	46R8384	N
11	System board, RockyS III - Saturn non AMT(GA) (models)	53Y4773	N
11	System board, Tamdhu II - Saturn AMT(GA) support 45nm processor;RockyS III - Saturn AMT(GA) (models A1U A1F A1S A1P A1L A1D A1Y A1G A1M A1A A1Q A1T A1C A1B A1H A1V A1R A1E A1J)	46R8386	N
11	System board, RockyS III - Saturn AMT(GA) (models A1U A1F A1S A1P A1L A1D A1Y A1G A1M A1A A1Q A1T A1C A1B A1H A1V A1R A1E A1J)	53Y4774	N
12	Fan, Rear w/ grommets & Grill (all models)		2
13	Power supply, 280 Watt ATX Power Supply - Standard, Robust (models A1U A1F A1S A1P A1L A1D A1Y A1G A1M A1A A1Q A1T A1C A1B A1H A1V A1R A1E A1J)	41A9684	2
13	Power supply, 310 Watt ATX Power Supply - Standard, Robust, JP (models A1J)	41A9726	2

The FRUs listed in the following tables are not illustrated.

9160 FRUs	FRU#	CRU Tier
Shield, 5.25 EMC (all models)	41N8080	2

9160 FRUs	FRU#	CRU Tier
Shield, diskette drive EMC (all models)	41N8078	2
Cable, Diskette drive (RoHs) (all models)	41A7182	2
Kit, Miscellaneous hardware (all models)	41N8055	2
Retainer, Card Reader (all models)	41R2913	2
Optional HDD Bracket Asm, without 4Pin cable (all models)	41R6106	2
Intrusion Switch asm (all models)	41R6116	2
Bezel, without IBM mark (all models)	41R6243	2
Cover, left side (all models)	41N8050	1
Chassis without IBM mark (all models)	41R6241	N
Hard disk drive tray (all models)	41R6291	N
Fan, front (all models)	41R4791	2
SATA cable,457mm,1 latching for device,RoHS (all models)	43N9013	2
SATA cable,250mm,1 latching for device,RoHS (all models)	43N9012	2
Fru-Cable, Temp Sense Cable (460mm) (all models)	41R2509	2
FRU - Blank 5.25" Bezel (all models)	41N8077	2

9160 Keyboards (USB Preferred - without hub)	FRU#	CRU Tier
US English (models A1U A1G A1M A1A A1Q A1H A1R A1E )	41A5289	1
Arabic (models A1G)	41A5290	1
Belgian/French (models A1G)	41A5292	1
Belgian/UK (models A1G)	41A5293	1
Brazilian (models A1P)	41A5294	1
Bulgarian (models A1G)	41A5295	1
Chinese/US (models A1B)	41A5296	1
Czech (models A1G)	41A5297	1
Danish (models A1G)	41A5298	1
Dutch (models A1G)	41A5299	1
French (models A1G)	41A5300	1
French Canadian 445 (models A1F)	41A5301	1
French Canadian 58 (models A1F)	41A5302	1
German (models A1G)	41A5303	1
Greek (models A1G)	41A5304	1
Hebrew (models A1G)	41A5306	1
Hungarian (models A1G)	41A5307	1
Iceland (models A1G)	41A5308	1
Italian 141 (models A1G)	41A5309	1
Japanese (models A1J)	41A5310	1
Korean (models A1K)	41A5311	1
LA Spanish (models A1S A1D A1Y)	41A5312	1
Norwegian (models A1G)	41A5313	1
Polish (models A1G)	41A5314	1

<b>9160 Keyboards (USB Preferred - without hub)</b>	<b>FRU#</b>	<b>CRU Tier</b>
Portuguese (models A1G)	41A5315	1
Romanian 096 (models A1G)	41A5317	1
Romanian 446 (models A1G)	41A5316	1
Russian/Cyrillic (models A1G)	41A5318	1
Serbian/Cyrillic (models A1G)	41A5319	1
Slovak (models A1G)	41A5320	1
Spanish (models A1G)	41A5321	1
Swedish/Finn (models A1G)	41A5322	1
Swiss (models A1G)	41A5323	1
Thailand (models A1T)	41A5324	1
Turkish 440 (models A1G)	41A5325	1
Turkish 179 (models A1G)	41A5326	1
UK English (models A1G)	41A5327	1
US Euro (models A1G)	41A5328	1
Slovenian (models A1G)	41A5329	1

<b>9160 Keyboards (Fingerprint Reader USB)</b>	<b>FRU#</b>	<b>CRU Tier</b>
US English (models)	41A5248	1
Arabic (models)	41A5249	1
Arabic/French (models)	41A5250	1
Belgian/French (models)	41A5251	1
Belgian/UK (models)	41A5252	1
Brazil/Portuguese (models)	41A5253	1
Bulgarian (models)	41A5254	1
Chinese (models)	41A5255	1
Czech (models)	41A5256	1
Danish (models)	41A5257	1
Dutch (models)	41A5258	1
French (models)	41A5259	1
French Canadian 445 (models)	41A5260	1
French Canadian 58 (models)	41A5261	1
German (models)	41A5262	1
Greek (models)	41A5263	1
Greek/US (models)	41A5264	1
Hebrew (models)	41A5265	1
Hungarian (models)	41A5266	1
Iceland (models)	41A5267	1
Italian 141 (models)	41A5268	1
Japanese (models)	41A5269	1
Korean (models)	41A5270	1
LA Spanish (models)	41A5271	1

<b>9160 Keyboards (Fingerprint Reader USB)</b>	<b>FRU#</b>	<b>CRU Tier</b>
Norwegian (models)	41A5272	1
Polish (models)	41A5273	1
Portuguese (models)	41A5274	1
Romanian 096 (models)	41A5275	1
Romanian 446 (models)	41A5276	1
Russian/Cyrillic (models)	41A5277	1
Serbian/Cyrillic (models)	41A5278	1
Slovak (models)	41A5279	1
Spanish (models)	41A5280	1
Swedish/Finn (models)	41A5281	1
Swiss (models)	41A5282	1
Thailand (models)	41A5283	1
Turkish 440 (models)	41A5284	1
Turkish 179 (models)	41A5285	1
UK English (models)	41A5286	1
US Euro (models)	41A5287	1
Slovenian (models)	41A5288	1

<b>9160 mice</b>	<b>FRU#</b>	<b>CRU Tier</b>
Optical Wheel Mouse (400DPI, USB) (models A1U A1F A1S A1P A1L A1D A1Y A1G A1M A1A A1Q A1T A1C A1B A1H A1V A1R A1E A1J)	41U3013	1
Optical Wheel Mouse (400DPI, USB) (models A1U A1F A1S A1P A1L A1D A1Y A1G A1M A1A A1Q A1T A1C A1B A1H A1V A1R A1E A1J )	41U3030	1

<b>9160 Adapters and miscellaneous FRUs</b>	<b>FRU#</b>	<b>CRU</b>
IEEE 1394 Firewire Adapter (ATX) (models CTO)	41D2781	2
Speaker Power brick - US, Canada, LA low voltage, ASEAN (models A1U A1A A1S)	89P8571	1
Speaker Power brick - LA high voltage (non-APU) (models A1D)	89P8575	1
Speaker Power brick - China, Thailand (models A1C A1T)	89P8581	1
Speaker Power brick - Japan (models A1J)	89P8577	1
Speaker Power brick - Brazil (models)	89P8583	1
Speaker Power brick - ANZ (models A1M)	89P8579	1
Speaker Brick - Korea (models A1K)	41A4903	1
Speaker Power brick - Hong Kong, Malaysia, Singapore, UK, Brunei (models A1B A1H A1G)	89P8573	1
Speaker Brick - Taiwan (models A1V)	41A4905	1
Speaker Power brick - India, South Africa (models A1Q)	89P8585	1
ATI RV610 256M LP, PCIe x16, DMS59/S-Video (models)	46R4160	2
ATI RV610 128M ATX, PCIe x16, DMS59/S-Video (models)	46R4159	2
ATI HD 2600XT(RV630XT) 512MB 128BIT ATX, PCIe x16, Dual DVI-I/S-Video (models CTO)	43C0261	2
DVI-VGA Dongle (models CTO)	45C7816	1

9160 Adapters and miscellaneous FRUs	FRU#	CRU
USB2.0 MEMORY CARDREADER,6X2,ROHS (models CTO)	45R1883	2
ODD/FDD/Cardreader Retainers (all models)	43N9351	2
20-in-1 Card Reader (all models)	45R8139	2
Temp Sense Cable (165 mm) (all models)	43N9079	2

9160 Power Cords	FRU#	CRU Tier
Line Cord - US (models A1U A1F A1S A1D A1L A1A A1T)	41R3184	1
Line Cord - US (models A1U A1F A1S A1D A1L A1A A1T)	41R3185	1
Line Cord - China (models A1C)	41R3256	1
Line Cord - China (models A1C)	41R3257	1
Line Cord - Brazil (models A1P)	41R3270	1
Line Cord - Brazil (models A1P)	41R3271	1
Line Cord - LA High Volt (APU) (models A1Y A1L )	41R3176	1
Line Cord - LA High Volt (APU) (models A1Y A1L )	41R3177	1
Line Cord - Korea (models A1K A1R)	41R3260	1
Line Cord - Korea (models A1K A1R)	41R3261	1
Line Cord - UK, Ireland, Singapore, Malaysia, Brunei (models A1G A1A)	41R3224	1
Line Cord - UK, Ireland, Singapore, Malaysia, Brunei (models A1G A1A)	41R3225	1
Line Cord - Taiwan (models A1V)	41R3278	1
Line Cord - Taiwan (models A1V)	41R3279	1
Line Cord - Italy (models A1S A1Y A1L A1G)	41R3232	1
Line Cord - Italy (models A1S A1Y A1L A1G)	41R3233	1
Line Cord - Indonesia, Laos, Cambodia, and Vietnam (models A1A)	41R3208	1
Line Cord - Indonesia, Laos, Cambodia, and Vietnam (models A1A)	41R3209	1
Line Cord - Denmark (models A1G)	41R3212	1
Line Cord - Denmark (models A1G)	41R3213	1
Line Cord - Switzerland (models A1G)	41R3228	1
Line Cord - Switzerland (models A1G)	41R3229	1
Line Cord - Israel (models A1G)	41R3236	1
Line Cord - Israel (models A1G)	41R3237	1
Line Cord - South Africa (models A1M )	41R3220	1
Line Cord - South Africa (models A1M )	41R3221	1
Line Cord - India (models A1Q)	41R3341	1
Line Cord - India (models A1Q)	41R3175	1
Line Cord - Japan (models A1E A1J )	41R3248	1
Line Cord - Japan (models A1E A1J )	41R3249	1
Line Cord - ANZ (models A1M )	41R3196	1
Line Cord - ANZ (models A1M )	41R3197	1
Line Cord - Hong Kong (models A1B A1H )	41R3224	1
Line Cord - Hong Kong (models A1B A1H )	41R3225	1

9160 Windows XP Home Recovery CDs	FRU#	CRU
English (models CTO)	45R6005	1
French (models CTO)	45R6006	1
German (models CTO)	45R6007	1
Spanish (models CTO)	45R6008	1
Brazil (models CTO)	45R6009	1
Italian (models)	45R6010	1
Japanese (models)	45R6011	1
Norwegian (models CTO)	45R6012	1
Swedish (models CTO)	45R6013	1
Danish (models CTO)	45R6014	1
Dutch (models CTO)	45R6015	1
Czech (models CTO)	45R6016	1
Finnish (models CTO)	45R6017	1
Hebrew (models CTO)	45R6018	1
Polish (models CTO)	45R6019	1
Arabic (models CTO)	45R6020	1
Russian (models CTO)	45R6021	1
Turkish (models CTO)	45R6022	1
Hungarian (models CTO)	45R6023	1
Greek (models CTO)	45R6024	1
Simplified Chinese (models CTO)	45R6025	1
Taiwan (models CTO)	45R6026	1
HongKong (models CTO)	45R6027	1
Korea (models CTO)	45R6028	1
Russian English (models CTO)	45R6029	1
Portuguese (models CTO)	45R6030	1

9160 Windows XP Pro Recovery CDs	FRU#	CRU
English (models)	45R5979	1
French (models)	45R5980	1
German (models)	45R5981	1
Spanish (models)	45R5982	1
Brazil (models)	45R5983	1
Italian (models)	45R5984	1
Japanese (models)	45R5985	1
Norwegian (models)	45R5986	1
Swedish (models)	45R5987	1
Danish (models)	45R5988	1
Dutch (models)	45R5989	1
Czech (models)	45R5990	1
Finnish (models)	45R5991	1

<b>9160 Windows XP Pro Recovery CDs</b>	<b>FRU#</b>	<b>CRU</b>
Hebrew (models)	45R5992	1
Polish (models)	45R5993	1
Arabic (models)	45R5994	1
Russian (models)	45R5995	1
Turkish (models)	45R5996	1
Hungarian (models)	45R5997	1
Greek (models)	45R5998	1
Simplified Chinese (models)	45R5999	1
Taiwan (models)	45R6000	1
HongKong (models)	45R6001	1
Korea (models)	45R6002	1
Russian English (models)	45R6003	1
Portuguese (models)	45R6004	1
MUL 1 - EN, NL, FR, GR, IT (models)	45R5977	1
MUL 2 - EN, DK, FI, NO, SV (models)	45R5978	1

<b>9160 Vista Home Basic 32 Recovery DVDs</b>	<b>FRU#</b>	<b>CRU</b>
English (models)	46R7098	1
Russian English (models CTO)	46R7099	1
French (models CTO)	46R7100	1
German (models CTO)	46R7101	1
Spanish (models CTO)	46R7102	1
Brazilian (models CTO)	46R7103	1
Italian (models CTO)	46R7104	1
Japanese (models)	46R7105	1
Norwegian (models CTO)	46R7106	1
Swedish (models CTO)	46R1086	1
Danish (models CTO)	46R7107	1
Dutch (models CTO)	46R1088	1
Czech (models CTO)	46R1089	1
Finnish (models CTO)	46R1090	1
Polish (models CTO)	46R1091	1
Russian (models CTO)	46R7108	1
Turkish (models CTO)	46R1093	1
Hungarian (models CTO)	46R1094	1
Greek (models CTO)	46R1095	1
Simplified Chinese (models CTO)	46R7109	1
Taiwan (models CTO)	46R7110	1
HongKong (models CTO)	46R7111	1
Korea (models)	46R1099	1
Slovenian (models CTO)	46R1100	1

<b>9160 Vista Home Basic 32 Recovery DVDs</b>	<b>FRU#</b>	<b>CRU</b>
Hebrew (models CTO)	46R1101	1
Portuguese (models CTO)	46R1102	1
Arabic Localized (models CTO)	46R1103	1
Slovakia (models CTO)	46R1104	1

<b>9160 Vista Business 32 Recovery DVDs</b>	<b>FRU#</b>	<b>CRU</b>
English (models A1U A1F A1G A1M A1A A1Q A1H A1R A1E)	46R7070	1
Russian English (models A1G)	46R7071	1
French (models A1G A1F)	46R7072	1
German (models A1G)	46R7073	1
Spanish (models A1S A1Y A1L A1G)	46R7074	1
Brazilian (models A1P)	46R7075	1
Italian (models A1G)	46R7076	1
Japanese (models A1J )	46R7077	1
Norwegian (models A1G)	46R7078	1
Swedish (models A1G)	46R1028	1
Danish (models A1G )	46R7079	1
Dutch (models A1G)	46R1030	1
Czech (models A1G)	46R1031	1
Finnish (models A1G)	46R1032	1
Polish (models A1G)	46R1033	1
Russian (models A1G)	46R7080	1
Turkish (models A1G)	46R1035	1
Hungarian (models A1G)	46R1036	1
Greek (models A1G)	46R1037	1
Simplified Chinese (models A1C )	46R7081	1
Traditional Chinese (models A1B A1V )	46R7082	1
Traditional Chinese (models A1B A1V)	46R7083	1
Korean (models A1K)	46R1041	1
Slovenian (models A1G)	46R1042	1
Romanian (models A1G )	46R1043	1
Portuguese (models A1G)	46R1044	1
Sebian-Latin (models)	46R1045	1
Slovakian (models A1G)	46R1046	1
Arabic Localized (models)	46R1047	1
Hebrew (models A1G)	46R1048	1

<b>9160 Vista Ultimate 32 Recovery DVDs</b>	<b>FRU#</b>	<b>CRU</b>
English (models)	45R5949	1
Russian English (models)	45R5950	1
French (models)	45R5951	1

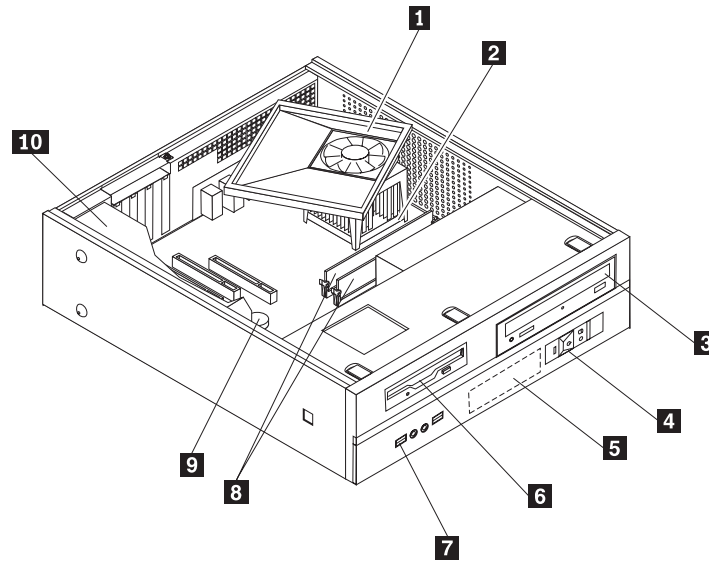


9160 Vista Ultimate 32 Recovery DVDs	FRU#	CRU
German (models)	45R5952	1
Spanish (models)	45R5953	1
Brazilian (models)	45R5954	1
Italian (models)	45R5955	1
Japanese (models)	45R5956	1
Norwegian (models)	45R5957	1
Swedish (models)	45R5958	1
Danish (models)	45R5959	1
Dutch (models)	45R5960	1
Czech (models)	45R5961	1
Finnish (models)	45R5962	1
Polish (models)	45R5963	1
Russian (models)	45R5964	1
Turkish (models)	45R5965	1
Hungarian (models)	45R5966	1
Greek (models)	45R5967	1
Simplified Chinese (models)	45R5968	1
Traditional Chinese (models)	45R5969	1
Traditional Chinese (models)	45R5970	1
Korean (models)	45R5971	1
Slovenian (models)	45R5972	1
Hebrew (models)	45R5973	1
Portuguese (models)	45R5974	1
Slovakian (models)	45R5975	1
Arabic Localized (models)	45R5976	1

9160 XP Pro Recovery DVDs	FRU#	CRU
English (models)	45R8811	1
French (models)	45R8812	1
German (models)	45R8813	1
Spanish (models)	45R8814	1
Brazil (models)	45R8815	1
Italian (models)	45R8816	1
Japanese (models)	45R8817	1
Norwegian (models)	45R8818	1
Swedish (models)	45R8819	1
Danish (models)	45R8820	1
Dutch (models)	45R8821	1
Czech (models)	45R8822	1
Finnish (models)	45R8823	1
Hebrew (models)	45R8824	1

9160 XP Pro Recovery DVDs	FRU#	CRU
Polish (models)	45R8825	1
Arabic (models)	45R8826	1
Russian (models)	45R8827	1
Turkish (models)	45R8828	1
Hungarian (models)	45R8829	1
Greek (models)	45R8830	1
Simplified Chinese (models)	45R8831	1
Taiwan (models)	45R8832	1
HongKong (models)	45R8833	1
Korea (models)	45R8834	1
Russian English (models)	45R8835	1
Portuguese (models)	45R8836	1
Slovenian (models)	45R8837	1

## Machine Type 9163



Item #	9163 FRUs	FRU#	CRU
1	Heat Sink/RM Kit Intel (all models)	41R6022	2
2	Microprocessor, Core 2 Duo E6550 Processor 2.33GHz 1333MHz FSB 4M L2 (models)	TBD	N
2	Microprocessor, Core 2 Duo E6750 Processor 2.66GHz 1333MHz FSB 4M L2 G-0 Stepping Level, Mainstream/Value FMB, TXT support (models A3Q A1K)	TBD	N
2	Microprocessor, Core 2 Duo E2140 Processor 1.6GHz 800MHz FSB 1M L2 (models)	TBD	N
2	Microprocessor, Core 2 Duo E4400 Processor 2.0GHz 800MHz FSB 2M L2 (models)	43C2056	N
2	Microprocessor, Core 2 Duo E2220 Processor 2.4GHz 800MHz FSB 1M L2 65W (models)	45C1774	N
2	Microprocessor, Core 2 Duo E4700 Processor 2.6GHz 800MHz 2M 65W (models)	45R5786	N
2	Microprocessor, Core 2 Duo E6540 Processor 2.33GHz 1333MHz FSB 4M L2 (models CTO)	43C6307	N
2	Microprocessor, Q6600 KENTSFIELD G-0 8MB 4c LGA 2.4GHZ 1066FSB (models CTO)	43C1695	N
2	Microprocessor, Q6700 KENTSFIELD G-0 8MB 4c LGA 2.66GHZ 1066FSB (models CTO)	43C6309	N
2	Microprocessor, Core 2 Duo E4600 Processor 2.4GHz 800MHz FSB 2M L2 (models)	45C5282	N
2	Microprocessor, Core 2 Duo E2200 Processor 2.2GHz 800MHz FSB 1M L2 (models)	45C5349	N
2	Microprocessor, Core 2 Duo E8500 Processor 3.16GHz 1333MHz FSB 6M L2 (models CTO)	45C7735	N
2	Microprocessor, Core 2 Duo E8400 Processor 3.0GHz 1333MHz FSB 6M L2 (models)	45C7736	N
2	Microprocessor, Core 2 Duo E8300 Processor 2.83GHz 1333MHz FSB 6M L2 (models)	45C7737	N
2	Microprocessor, Core 2 Duo E8200 Processor 2.66GHz 1333MHz FSB 6M L2 (models)	45C7738	N
2	Microprocessor, Core2 Duo E8190 Processor 1333/2600MHz 6M L2 65W Non vPro (models)	45R2568	N

Item #	9163 FRUs	FRU#	CRU
2	Microprocessor, Core 2 Duo E7200 Processor 2.53GHz 1066MHz 3M L2 65W (models)	45R8337	N
2	Microprocessor, Dual Core E1400 Processor 2.0GHz 800MHz 512K L2 65W (models)	45R8339	N
2	Microprocessor, Dual Core E1200 Processor 1.6GHz 800MHz 512K (models)	45R8341	N
2	Microprocessor, Wolfdale Core 2 Duo E7300 Processor 2.66GHz 1066MHz FSB 3M L2 65W M0 Stepping (models)	46R1622	N
2	Microprocessor, Dual Core E1600 Processor 2.4GHz 800MHz 512K L2 65W M0 Stepping Level (models)	46R1655	N
2	Microprocessor, Core 2 Duo E2180 Processor 2.0GHz 800MHz FSB 1M L2 (models)	45C1773	N
3	DVD-ROM Drive - 16x/48x - SATA XP and Vista (models)	42Y6324	2
3	DVD-ROM Drive - 16x/48x - SATA XP and Vista (models)	43C1040	2
3	DVD-ROM/CD-RW Combo Drive - 48x/32x/48x/16x - SATA vista and XP (models)	42Y6325	2
3	DVD-ROM/CD-RW Combo Drive - 48x/32x/48x/16x - SATA vista and XP (models)	43C1041	2
4	Front Power/LED PC, bracket, and cable (all models)	41N8213	2
5	Hard disk drive, 80GB (7200RPM), Serial ATA (models)	40Y9034	2
5	Hard disk drive, 160GB (7200RPM), Serial ATA (models)	40Y9035	2
6	Diskette drive, 3,5", 1.44MB, 2-mode, (w/bezel) (models)	40Y9105	2
6	Diskette drive, 3,5", 1.44MB, 2-mode, (w/bezel) (models)	40Y9107	2
7	Front USB/Audio with bracket (all models)	41N8212	2
8	Memory module, 512 MB PC2-5300 (667MHz) DDR2 SDRAM (models)	41X4255	2
8	Memory module, 1 GB PC2-5300 (667MHz) DDR2 SDRAM (models)	41X4256	2
9	System board, Saturn non AMT(GA) support 45nm processor (models)	45R5312	N
9	System board, Saturn AMT(GA) support 45nm processor (models)	45R5313	N
10	80 Watt DT Power Supply -Standard, Robust, JP (models)	41A9705	N
10	220 Watt Power Supply (80plus) - Standard, Robust, JP (models)	41A9670	N

The FRUs listed in the following tables are not illustrated.

9163 FRUs	FRU#	CRU
Second Serial Port Cable, 250mm (all models)	42Y8008	2
Cable, diskette drive (all models)	41A7147	2
Hard disk drive fan and bracket asm (all models)	41R6325	2
Fan duct assembly (all models)	41R4808	2
Shield, EMC, blank 5.25 in. drive bay (all models)	41N8271	2
Shield, EMC, blank diskette drive bay (all models)	41N8273	2
Foot stand (all models)	41R4813	1
Rear USB 2Ports II LP (R), low profile I/O, 200mm, Rohs (all models)	42Y8006	2
System board shield (all models)	41R6108	N
Cover (all models)	41N8204	2
Mechanical shell kit (all models)	41R6223	N

<b>9163 FRUs</b>	<b>FRU#</b>	<b>CRU</b>
Miscellaneous hardware kit (all models)	41N8209	2
Hard disk drive bracket assembly (plastic and grommets) (all models)	41N8210	2
Speaker cable assembly, 600 mm cable length (all models)	41N8217	2
Intrusion switch assembly (all models)	41R6208	2
Bezel kit, without IBM logo (all models)	41R6238	2
20-in-1 Card Reader (all models)	45R8139	2
Temp Sense Cable (165 mm) (all models)	43N9079	2
Intel 65W/95W Heatsink Kit (all models)	41R6429	2

<b>9163 Keyboards (PS2 Preferred Pro)</b>	<b>FRU#</b>	<b>CRU</b>
US English (models)	41A5039	1
Arabic (models)	41A5040	1
Arabic/French (models)	41A5041	1
Belgian/French (models)	41A5042	1
Belgian/UK (models)	41A5043	1
Bulgarian (models)	41A5045	1
Hong Kong/Taiwan (models)	41A5046	1
Czech (models)	41A5047	1
Danish (models)	41A5048	1
Dutch (models)	41A5049	1
French (models)	41A5050	1
French Canadian 445 (models)	41A5051	1
French Canadian 58 (models)	41A5052	1
German (models)	41A5053	1
Greek (models)	41A5054	1
Hebrew (models)	41A5055	1
Hungarian (models)	41A5056	1
Iceland (models)	41A5057	1
Italian (models)	41A5058	1
Japanese (models)	41A5059	1
Korean (models)	41A5060	1
LA Spanish (models)	41A5061	1
Norwegian (models)	41A5062	1
Polish (models)	41A5063	1
Portuguese (models)	41A5064	1
Romanian (models)	41A5065	1
Russian/Cyrilic (models)	41A5066	1
Serbian/Cyrilic (models)	41A5067	1
Slovak (models)	41A5068	1
Spanish (models)	41A5069	1
Swedish/Finn (models)	41A5070	1

<b>9163 Keyboards (PS2 Preferred Pro)</b>	<b>FRU#</b>	<b>CRU</b>
Swiss F/G (models)	41A5071	1
Thailand (models)	41A5072	1
Turkish 440 (models)	41A5073	1
Turkish 179 (models)	41A5074	1
UK English (models)	41A5075	1
US Euro (models)	41A5076	1
Slovenian (models)	41A5077	1
Brazil/Portuguese (models)	41A5044	1

<b>9163 Keyboards (USB Preferred - without hub)</b>	<b>FRU#</b>	<b>CRU Tier</b>
US English (models)	41A5289	1
Arabic (models)	41A5290	1
Arabic/French (models)	41A5291	1
Belgian/French (models)	41A5292	1
Belgian/UK (models)	41A5293	1
Bulgarian (models)	41A5295	1
Czech (models)	41A5297	1
Danish (models)	41A5298	1
Dutch (models)	41A5299	1
French (models)	41A5300	1
German (models)	41A5303	1
Greek (models)	41A5304	1
Greek/US (models)	41A5305	1
Hebrew (models)	41A5306	1
Hungarian (models)	41A5307	1
Iceland (models)	41A5308	1
Japanese (models)	41A5310	1
Korean (models)	41A5311	1
Italian 141 (models)	41A5309	1
Norwegian (models)	41A5313	1
Polish (models)	41A5314	1
Portuguese (models)	41A5315	1
Romanian 096 (models)	41A5317	1
Romanian 446 (models)	41A5316	1
Russian/Cyrillic (models)	41A5318	1
Serbian/Cyrillic (models)	41A5319	1
Slovak (models)	41A5320	1
Spanish (models)	41A5321	1
Swedish/Finn (models)	41A5322	1
Swiss (models)	41A5323	1
Thailand (models)	41A5324	1

<b>9163 Keyboards (USB Preferred - without hub)</b>	<b>FRU#</b>	<b>CRU Tier</b>
Turkish 440 (models)	41A5325	1
Turkish 179 (models)	41A5326	1
UK English (models)	41A5327	1
US Euro (models)	41A5328	1
Slovenian (models)	41A5329	1

<b>9163 Keyboards (Preferred Pro Fingerprint Reader USB)</b>	<b>FRU#</b>	<b>CRU</b>
US English (models)	41A5248	1
Arabic (models)	41A5249	1
Arabic/French (models)	41A5250	1
Belgian/French (models)	41A5251	1
Belgian/UK (models)	41A5252	1
Brazil/Portuguese (models)	41A5253	1
Bulgarian (models)	41A5254	1
Czech (models)	41A5256	1
Danish (models)	41A5257	1
Dutch (models)	41A5258	1
French (models)	41A5259	1
French Canadian 445 (models)	41A5260	1
French Canadian 58 (models)	41A5261	1
German (models)	41A5262	1
Greek (models)	41A5263	1
Greek/US (models)	41A5264	1
Hebrew (models)	41A5265	1
Hungarian (models)	41A5266	1
Iceland (models)	41A5267	1
Italian 141 (models)	41A5268	1
Japanese (models)	41A5269	1
Korean (models)	41A5270	1
LA/Spanish (models)	41A5271	1
Norwegian (models)	41A5272	1
Polish (models)	41A5273	1
Portuguese (models)	41A5274	1
Romanian 096 (models)	41A5275	1
Romanian 446 (models)	41A5276	1
Russian/Cyrillic (models)	41A5277	1
Serbian/Cyrillic (models)	41A5278	1
Slovak (models)	41A5279	1
Spanish (models)	41A5280	1
Swedish/Finn (models)	41A5281	1
Swiss (models)	41A5282	1

<b>9163 Keyboards (Preferred Pro Fingerprint Reader USB)</b>	<b>FRU#</b>	<b>CRU</b>
Swiss (models)	41A5283	1
Turkish 440 (models)	41A5284	1
Turkish 179 (models)	41A5285	1
UK English (models)	41A5286	1
US Euro (models)	41A5287	1
Slovenian (models)	41A5288	1

<b>9163 mice</b>	<b>FRU#</b>	<b>CRU</b>
Optical Wheel Mouse (400DPI, USB) (models)	41U3013	1
Optical Wheel Mouse (400DPI, USB) models)	41U3030	1
PS/2 2 Button Ball Mouse (models)	41R0018	1

<b>9163 Adapters and miscellaneous FRUs</b>	<b>FRU#</b>	<b>CRU</b>
IEEE 1394 Firewire Adapter (LP) (models CTO)	41D2781	2
PCI Modem Card (Soft) (models)	29R9729	2
L1 IEEE 1394 PCI Adapter (models)	41D2781	2
Malaysian Homologation Sticker for all AP Model (models)	TBD	2
Dongle Cable - DMS59 to dual VGA (included in Denver L1) (models)	42Y8181	1
Dongle DMS Dule DMS-59 to dual DVI cable (models)	41X6398	1
ATI RV610 256M LP, PCIe x16, DMS59/S-Video (models)	64Y3999	2
ATI RV610 128M ATX, PCIe x16, DMS59/S-Video (models)	64Y3997	2
Lenovo USB2.0 Security Memory Key - 1GB (models)	43R2296	2
Dongle DMS Dule DMS-59 to single VGA and single DVI cable (models)	42Y8183	1
Nvidia GeForce 7300LE 128MB 64bit LP / ATX with DMS59 (models)	42Y8165	2
ATI X1300LE 256M 64bit LP / ATX with DMS59 (models)	42Y8162	2
Internal USB Memory Card Reader (models)	41R3376	2
Internal USB Memory Card Reader (models)	41R3378	2
Speakers (2-piece) Lenovo Logo (models)	41A5331	2
BTL external speaker (models)	41A5334	1
Speaker Power brick - US, Canada, LA low voltage, ASEAN (models)	89P8571	1
Speaker Power brick - Hong Kong, Malaysia, Singapore, UK, Brunei (models)	89P8573	1
Speaker Power brick - LA high voltage (non-APU) (models)	89P8575	1
Speaker Power brick - China, Thailand (models)	89P8581	1
Speaker Power brick - Japan (models)	89P8577	1
Speaker Power brick - Brazil (models)	89P8583	1
Speaker Power brick - Argentina (models)	41A4901	1
Speaker Power brick - ANZ (models)	89P8579	1
Speaker Brick - Korea (models)	41A4903	1
Speaker Brick - Taiwan (models)	41A4905	1
Speaker Power brick - India, South Africa (models)	89P8585	1
New Casper DVI-D card, low profile, support HDCP (models)	43C0258	2



9163 Adapters and miscellaneous FRUs	FRU#	CRU
USB2.0 MEMORY CARDREADER,6X2,ROHS, Slim (models CTO)	45R1883	2

9163 Power Cords	FRU#	CRU Tier
Line Cord - US (models)	41R3184	1
Line Cord - US (models)	41R3185	1
Line Cord - China (models)	41R3256	1
Line Cord - China (models)	41R3257	1
Line Cord - Brazil (models)	41R3270	1
Line Cord - Brazil (models)	41R3271	1
Line Cord - LA High Volt (APU) (models)	41R3176	1
Line Cord - LA High Volt (APU) (models)	41R3177	1
Line Cord - Korea (models)	41R3260	1
Line Cord - Korea (models)	41R3261	1
Line Cord - UK, Ireland, Singapore, Malaysia, Brunei (models)	41R3224	1
Line Cord - UK, Ireland, Singapore, Malaysia, Brunei (models)	41R3225	1
Line Cord - Taiwan (models)	41R3278	1
Line Cord - Taiwan (models)	41R3279	1
Line Cord - Italy (models)	41R3232	1
Line Cord - Italy (models)	41R3233	1
Line Cord - Indonesia, Laos, Cambodia, and Vietnam (models)	41R3208	1
Line Cord - Indonesia, Laos, Cambodia, and Vietnam (models)	41R3209	1
Line Cord - Denmark (models)	41R3212	1
Line Cord - Denmark (models)	41R3213	1
Line Cord - Switzerland (models)	41R3228	1
Line Cord - Switzerland (models)	41R3229	1
Line Cord - Israel (models)	41R3236	1
Line Cord - Israel (models)	41R3237	1
Line Cord - South Africa (models)	41R3220	1
Line Cord - South Africa (models)	41R3221	1
Line Cord - India (models )	41R3341	1
Line Cord - India (models )	41R3175	1
Line Cord - Japan (models)	41R3248	1
Line Cord - Japan (models)	41R3249	1
Line Cord - ANZ (models)	41R3196	1
Line Cord - ANZ (models)	41R3197	1
Line Cord - Hong Kong (models)	41R3224	1
Line Cord - Hong Kong (models)	41R3225	1

9163 Windows XP Home Recovery CDs	FRU#	CRU
English (models CTO)	45R6005	1
French (models CTO)	45R6006	1

<b>9163 Windows XP Home Recovery CDs</b>	<b>FRU#</b>	<b>CRU</b>
German (models CTO)	45R6007	1
Spanish (models CTO)	45R6008	1
Brazil (models CTO)	45R6009	1
Italian (models)	45R6010	1
Japanese (models)	45R6011	1
Norwegian (models CTO)	45R6012	1
Swedish (models CTO)	45R6013	1
Danish (models CTO)	45R6014	1
Dutch (models CTO)	45R6015	1
Czech (models CTO)	45R6016	1
Finnish (models CTO)	45R6017	1
Hebrew (models CTO)	45R6018	1
Polish (models CTO)	45R6019	1
Arabic (models CTO)	45R6020	1
Russian (models CTO)	45R6021	1
Turkish (models CTO)	45R6022	1
Hungarian (models CTO)	45R6023	1
Greek (models CTO)	45R6024	1
Simplified Chinese (models CTO)	45R6025	1
Taiwan (models CTO)	45R6026	1
HongKong (models CTO)	45R6027	1
Korea (models CTO)	45R6028	1
Russian English (models CTO)	45R6029	1
Portuguese (models CTO)	45R6030	1

<b>9163 Windows XP Pro Recovery CDs</b>	<b>FRU#</b>	<b>CRU</b>
English (models)	45R5979	1
French (models)	45R5980	1
German (models)	45R5981	1
Spanish (models)	45R5982	1
Brazil (models)	45R5983	1
Italian (models)	45R5984	1
Japanese (models)	45R5985	1
Norwegian (models)	45R5986	1
Swedish (models)	45R5987	1
Danish (models)	45R5988	1
Dutch (models)	45R5989	1
Czech (models)	45R5990	1
Finnish (models)	45R5991	1
Hebrew (models)	45R5992	1
Polish (models)	45R5993	1

<b>9163 Windows XP Pro Recovery CDs</b>	<b>FRU#</b>	<b>CRU</b>
Arabic (models)	45R5994	1
Russian (models)	45R5995	1
Turkish (models)	45R5996	1
Hungarian (models)	45R5997	1
Greek (models)	45R5998	1
Simplified Chinese (models)	45R5999	1
Taiwan (models)	45R6000	1
HongKong (models)	45R6001	1
Korea (models)	45R6002	1
Russian English (models)	45R6003	1
Portuguese (models)	45R6004	1
MUL 1 - EN, NL, FR, GR, IT (models)	45R5977	1
MUL 2 - EN, DK, FI, NO, SV (models)	45R5978	1

<b>9163 Vista Home Basic 32 Recovery DVDs</b>	<b>FRU#</b>	<b>CRU</b>
English (models)	46R7098	1
Russian English (models CTO)	46R7099	1
French (models CTO)	46R7100	1
German (models CTO)	46R7101	1
Spanish (models CTO)	46R7102	1
Brazilian (models CTO)	46R7103	1
Italian (models CTO)	46R7104	1
Japanese (models)	46R7105	1
Norwegian (models CTO)	46R7106	1
Swedish (models CTO)	46R1086	1
Danish (models CTO)	46R7107	1
Dutch (models CTO)	46R1088	1
Czech (models CTO)	46R1089	1
Finnish (models CTO)	46R1090	1
Polish (models CTO)	46R1091	1
Russian (models CTO)	46R7108	1
Turkish (models CTO)	46R1093	1
Hungarian (models CTO)	46R1094	1
Greek (models CTO)	46R1095	1
Simplified Chinese (models CTO)	46R7109	1
Taiwan (models CTO)	46R7110	1
HongKong (models CTO)	46R7111	1
Korea (models)	46R1099	1
Slovenian (models CTO)	46R1100	1
Hebrew (models CTO)	46R1101	1
Portuguese (models CTO)	46R1102	1

9163 Vista Home Basic 32 Recovery DVDs	FRU#	CRU
Arabic Localized (models CTO)	46R1103	1
Slovakia (models CTO)	46R1104	1

9163 Vista Business 32 Recovery DVDs	FRU#	CRU
English (models)	46R7070	1
Russian English (models)	46R7071	1
French (models)	46R7072	1
German (models)	46R7073	1
Spanish (models)	46R7074	1
Brazilian (models)	46R7075	1
Italian (models)	46R7076	1
Japanese (models)	46R7077	1
Norwegian (models)	46R7078	1
Swedish (models)	46R1028	1
Danish (models )	46R7079	1
Dutch (models)	46R1030	1
Czech (models)	46R1031	1
Finnish (models)	46R1032	1
Polish (models)	46R1033	1
Russian (models)	46R7080	1
Turkish (models)	46R1035	1
Hungarian (models)	46R1036	1
Greek (models)	46R1037	1
Simplified Chinese (models)	46R7081	1
Traditional Chinese (models)	46R7082	1
Traditional Chinese (models)	46R7083	1
Korean (models)	46R1041	1
Slovenian (models)	46R1042	1
Romanian (models )	46R1043	1
Portuguese (models)	46R1044	1
Sebian-Latin (models)	46R1045	1
Slovakian (models)	46R1046	1
Arabic Localized (models)	46R1047	1
Hebrew (models)	46R1048	1

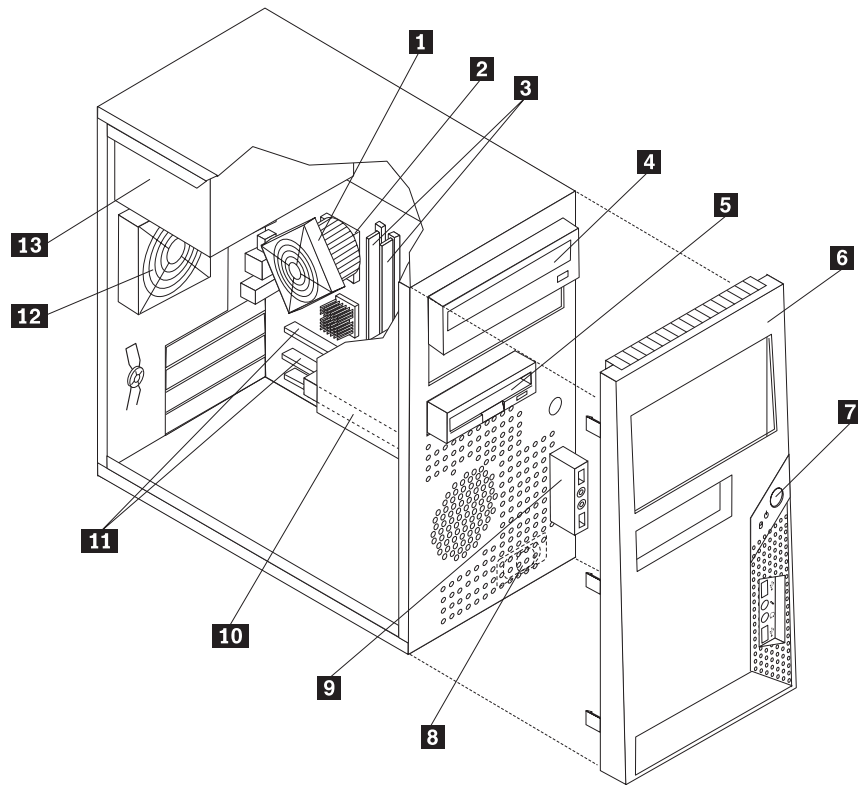
9163 Vista Ultimate 32 Recovery DVDs	FRU#	CRU
English (models)	45R5949	1
Russian English (models)	45R5950	1
French (models)	45R5951	1
German (models)	45R5952	1
Spanish (models)	45R5953	1

<b>9163 Vista Ultimate 32 Recovery DVDs</b>	<b>FRU#</b>	<b>CRU</b>
Brazilian (models)	45R5954	1
Italian (models)	45R5955	1
Japanese (models)	45R5956	1
Norwegian (models)	45R5957	1
Swedish (models)	45R5958	1
Danish (models)	45R5959	1
Dutch (models)	45R5960	1
Czech (models)	45R5961	1
Finnish (models)	45R5962	1
Polish (models)	45R5963	1
Russian (models)	45R5964	1
Turkish (models)	45R5965	1
Hungarian (models)	45R5966	1
Greek (models)	45R5967	1
Simplified Chinese (models)	45R5968	1
Traditional Chinese (models)	45R5969	1
Traditional Chinese (models)	45R5970	1
Korean (models)	45R5971	1
Slovenian (models)	45R5972	1
Hebrew (models)	45R5973	1
Portuguese (models)	45R5974	1
Slovakian (models)	45R5975	1
Arabic Localized (models)	45R5976	1

<b>9163 XP Pro Recovery DVDs</b>	<b>FRU#</b>	<b>CRU</b>
English (models)	45R8811	1
French (models)	45R8812	1
German (models)	45R8813	1
Spanish (models)	45R8814	1
Brazil (models)	45R8815	1
Italian (models)	45R8816	1
Japanese (models)	45R8817	1
Norwegian (models)	45R8818	1
Swedish (models)	45R8819	1
Danish (models)	45R8820	1
Dutch (models)	45R8821	1
Czech (models)	45R8822	1
Finnish (models)	45R8823	1
Hebrew (models)	45R8824	1
Polish (models)	45R8825	1
Arabic (models)	45R8826	1

9163 XP Pro Recovery DVDs	FRU#	CRU
Russian (models)	45R8827	1
Turkish (models)	45R8828	1
Hungarian (models)	45R8829	1
Greek (models)	45R8830	1
Simplified Chinese (models)	45R8831	1
Taiwan (models)	45R8832	1
HongKong (models)	45R8833	1
Korea (models)	45R8834	1
Russian English (models)	45R8835	1
Portuguese (models)	45R8836	1
Slovenian (models)	45R8837	1

# Machine Type 9164



Item #	9164 FRUs	FRU#	CRU Tier
1	Intel 65W/95w heatsink (all models)	43N9309	2
2	Microprocessor, Core 2 Duo E6550 Processor 2.33GHz 1333MHz FSB 4M L2 (models "A1U A1F A1S A1P A1L A1D A1Y A1G A1M A1A A1Q A1T A1C A1B A1H A1V A1R A1E A1J A2U A2F A2S A2P A2L A2D A2Y A2G A2M A2A A2Q A2T A2C A2B A2H A2V A2R A2E A2J ")	43C3833	N
2	Microprocessor, Core 2 Duo E2220 Processor 2.4GHz 800MHz FSB 1M L2 65W (models)	45C1774	N
2	Microprocessor, Core 2 Duo E4700 Processor 2.6GHz 800MHz 2M 65W (models)	45R5786	N
2	Microprocessor, Core 2 Duo E6540 Processor 2.33GHz 1333MHz FSB 4M L2 (models CTO)	43C6307	N
2	Microprocessor, Q6600 KENTSFIELD G-0 8MB 4c LGA 2.4GHZ 1066FSB G-0 Stepping Level, 95W (models CTO)	43C1695	N
2	Microprocessor, Q6700 KENTSFIELD G-0 8MB 4c LGA G-0 Stepping Level, 95W2.66GHZ 1066FSB (models CTO)	43C6309	N
2	Microprocessor, Core 2 Duo E4600 Processor 2.4GHz 800MHz FSB 2M L2 M-0 Stepping Level, Mainstream/Value FMB (models)	45C5282	N
2	Microprocessor, Core 2 Duo E2200 Processor 2.2GHz 800MHz FSB 1M L2 M-0 Stepping Level, Mainstream/Value FMB (models)	45C5349	N
2	Microprocessor, Core 2 Duo E8500 Processor 3.16GHz 1333MHz FSB 6M L2 65W (models CTO)	45C7735	N
2	Microprocessor, Core 2 Duo E8400 Processor 3.0GHz 1333MHz FSB 6M L2 65W (models)	45C7736	N

Item #	9164 FRUs	FRU#	CRU Tier
2	Microprocessor, Core 2 Duo E8300 Processor 2.83GHz 1333MHz FSB 6M L2 65W (models)	45C7737	N
2	Microprocessor, Core 2 Duo E8200 Processor 2.66GHz 1333MHz FSB 6M L2 65W (models)	45C7738	N
2	Microprocessor, Core2 Duo E8190 Processor 1333/2600MHz 6M L2 65W Non vPro (models)	45R2568	N
2	Microprocessor, Core 2 Duo E7200 Processor 2.53GHz 1066MHz 3M L2 65W (models)	45R8337	N
2	Microprocessor, Dual Core E1400 Processor 2.0GHz 800MHz 512K L2 65W (models)	45R8339	N
2	Microprocessor, Dual Core E1200 Processor 1.6GHz 800MHz 512K (models)	45R8341	N
2	Microprocessor, Wolfdale Core 2 Duo E7300 Processor 2.66GHz 1066MHz FSB 3M L2 65W M0 Stepping (models)	46R1622	N
2	Microprocessor, Dual Core E1600 Processor 2.4GHz 800MHz 512K L2 65W M0 Stepping Level (models)	46R1655	N
2	Microprocessor, Core 2 Duo E2180 Processor 2.0GHz 800MHz FSB 1M L2 (models)	45C1773	N
3	Memory module, 1 GB PC2-5300 (667MHz) DDR2 SDRAM (models "A1U A1F A1S A1P A1L A1D A1Y A1G A1M A1A A1Q A1T A1C A1B A1H A1V A1R A1E A1J A2U A2F A2S A2P A2L A2D A2Y A2G A2M A2A A2Q A2T A2C A2B A2H A2V A2R A2E A2J ")	41X4256	2
4	DVD-ROM Drive - 16x/48x - SATA XP and Vista (models A2S A2P A2L A2D A2Y A2G A2M A2A A2Q A2T A2C A2B A2H A2V A2R A2E A2J)	41N3325	2
4	DVD-ROM/CD-RW Combo Drive - 48x/32x/48x/16x - SATA vista and XP (models A1U A1F)	42Y9353	2
4	DVD-RW/CD-RW Rambo 8 - SATA VISTA AND XP (models A1U A1F A1S A1P A1L A1D A1Y A1G A1M A1A A1Q A1T A1C A1B A1H A1V A1R A1E A1J)	43C1042	2
5	Diskette drive, 3,5", 1.44MB, 3Mode,(w/bezel) (models)	40Y9105	2
5	Diskette drive, 3,5", 1.44MB, 3Mode,(w/bezel) (models)	40Y9107	2
6	Bezel assembly (all models)	41N8052	2
7	Power switch/LED assembly (all models)	41N5284	2
8	Speaker assembly, soldered terminals (models)	39P5023	2
9	Front audio/USB assembly (all models)	41N8054	2
10	Hard disk drive, 80GB (7200RPM), Serial ATA (models A1U A1F A1S A1P A1L A1D A1Y A1G A1M A1A A1Q A1T A1C A1B A1H A1V A1R A2U A2F A2S A2P A2L A2D A2Y A2G A2M A2A A2Q A2T A2C A2B A2H A2V A2R )	40Y9034	2
11	System board, Tamdhu II - Saturn non AMT(GA) support 45nm processor (Hard from 45R5312) (models A1U A1F A1S A1P A1L A1D A1Y A1G A1M A1A A1Q A1T A1C A1B A1H A1V A1R A1E A1J A2U A2F A2S A2P A2L A2D A2Y A2G A2M A2A A2Q A2T A2C A2B A2H A2V A2R A2E A2J)	46R1842	N
11	System board, Tamdhu II - Saturn AMT(GA) support 45nm processor (Hard from 45R5313) (models)	46R1843	N
12	Fan, Rear w/ grommets & Grill (all models)	41R6046	2
13	Power supply, 280 Watt ATX Power Supply - Standard, Robust (models "A1U A1F A1S A1P A1L A1D A1Y A1G A1M A1A A1Q A1T A1C A1B A1H A1V A1R A2U A2F A2S A2P A2L A2D A2Y A2G A2M A2A A2Q A2T A2C A2B A2H A2V A2R ")	41A9684	2
13	Power supply, 310 Watt ATX Power Supply - Standard, Robust, JP (models A1J A2J)	41A9726	2



The FRUs listed in the following tables are not illustrated.

9164 FRUs	FRU#	CRU Tier
Shield, 5.25 EMC (all models)	41N8080	2
Shield, diskette drive EMC (all models)	41N8078	2
Cable, Diskette drive (RoHs) (all models)	41A7182	2
Kit, Miscellaneous hardware (all models)	41N8055	2
Retainer, Card Reader (all models)	41R2913	2
Optional HDD Bracket Asm, without 4Pin cable (all models)	41R6106	2
Intrusion Switch asm (all models)	41R6116	2
Bezel, without IBM mark (all models)	41R6243	2
Cover, left side (all models)	41N8050	1
Chassis without IBM mark (all models)	41R6241	N
Hard disk drive tray (all models)	41R6291	N
Fan, front (all models)	41R4791	2
SATA cable,457mm,1 latching for device,RoHS (all models)	43N9013	2
SATA cable,250mm,1 latching for device,RoHS (all models)	43N9012	2
Fru-Cable, Temp Sense Cable (460mm) (all models)	41R2509	2
FRU - Blank 5.25" Bezel (all models)	41N8077	2

9164 Keyboards (USB Preferred - without hub)	FRU#	CRU Tier
US English (models A1U A1M A1A A1Q A1H A1R A1E A1G A2U A2M A2A A2Q A2H A2R A2E A2G)	41A5289	1
Arabic (models A1G A2G)	41A5290	1
Arabic/French (models A1G A2G)	41A5291	1
Belgian/French (models A1G A2G)	41A5292	1
Belgian/UK (models A1G A2G)	41A5293	1
Brazilian (models A1P A2P)	41A5294	1
Bulgarian (models A1G A2G)	41A5295	1
Chinese/US (models A1V A2V)	41A5296	1
Czech (models A1G A2G)	41A5297	1
Danish (models A1G A2G)	41A5298	1
Dutch (models A1G A2G)	41A5299	1
French (models A1G A2G)	41A5300	1
French Canadian 445 (models A1F A2F)	41A5301	1
French Canadian 58 (models A1F A2F)	41A5302	1
German (models A1G A2G)	41A5303	1
Greek (models A1G A2G)	41A5304	1
Greek/US (models A1G A2G)	41A5305	1
Hebrew (models A1G A2G)	41A5306	1
Hungarian (models A1G A2G)	41A5307	1
Iceland (models A1G A2G)	41A5308	1
Japanese (models A1J A2J)	41A5310	1

<b>9164 Keyboards (USB Preferred - without hub)</b>	<b>FRU#</b>	<b>CRU Tier</b>
Korean (models A1K A2K)	41A5311	1
LA Spanish (models A1S A1D A1Y A2S A2D A2Y)	41A5312	1
Italian 141 (models A1G A2G)	41A5309	1
Norwegian (models A1G A2G)	41A5313	1
Polish (models A1G A2G)	41A5314	1
Portuguese (models A1G A2G)	41A5315	1
Romanian 096 (models A1G A2Gv)	41A5317	1
Romanian 446 (models A1G A2G)	41A5316	1
Russian/Cyrillic (models A1G A2G)	41A5318	1
Serbian/Cyrillic (models A1G A2G)	41A5319	1
Slovak (models A1G A2G)	41A5320	1
Spanish (models A1G A2G)	41A5321	1
Swedish/Finn (models A1G A2G)	41A5322	1
Swiss (models A1G A2G)	41A5323	1
Thailand (models A1T A2T)	41A5324	1
Turkish 440 (models A1G A2G)	41A5325	1
Turkish 179 (models A1G A2G)	41A5326	1
UK English (models A1G A2G)	41A5327	1
US Euro (models A1G A2G)	41A5328	1
Slovenian (models A1G A2G)	41A5329	1

<b>9164 mice</b>	<b>FRU#</b>	<b>CRU Tier</b>
Optical Wheel Mouse (400DPI, USB) (models "A1U A1F A1S A1P A1L A1D A1Y A1G A1M A1A A1Q A1T A1C A1B A1H A1V A1R A1E A1J A2U A2F A2S A2P A2L A2D A2Y A2G A2M A2A A2Q A2T A2C A2B A2H A2V A2R A2E A2J ")	41U3013	1
Optical Wheel Mouse (400DPI, USB) (models "A1U A1F A1S A1P A1L A1D A1Y A1G A1M A1A A1Q A1T A1C A1B A1H A1V A1R A1E A1J A2U A2F A2S A2P A2L A2D A2Y A2G A2M A2A A2Q A2T A2C A2B A2H A2V A2R A2E A2J ")	41U3030	1

<b>9164 Adapters and miscellaneous FRUs</b>	<b>FRU#</b>	<b>CRU</b>
IEEE 1394 Firewire Adapter (ATX) (models CTO)	41D2781	2
Speaker Power brick - US, Canada, LA low voltage, ASEAN (models A1U A2U A1Y A2Y A1A A2A)	89P8571	1
Speaker Power brick - LA high voltage (non-APU) (models A8D A1D A2D)	89P8575	1
Speaker Power brick - China, Thailand (models A1C A2C)	89P8581	1
Speaker Power brick - Japan (models A1J A2J)	89P8577	1
Speaker Power brick - ANZ (models A1M A2M)	89P8579	1
Speaker Brick - Korea (models A1K A1R A2K A2R)	41A4903	1
Speaker Power brick - Hong Kong, Malaysia, Singapore, UK, Brunei (models A1B A1H A2B A2H )	89P8573	1
Speaker Brick - Taiwan (models A1V A2V)	41A4905	1
Speaker Power brick - India, South Africa (models A1Q)	89P8585	1

<b>9164 Adapters and miscellaneous FRUs</b>	<b>FRU#</b>	<b>CRU</b>
ATI RV610 256M LP, PCIe x16, DMS59/S-Video (models)	46R4160	2
ATI RV610 128M ATX, PCIe x16, DMS59/S-Video (models)	46R4159	2
ATI HD 2600XT(RV630XT) 512MB 128BIT ATX, PCIe x16, Dual DVI-I/S-Video (models CTO)	43C0261	2
DVI-VGA Dongle (models CTO)	45C7816	1
USB2.0 MEMORY CARDREADER,6X2,ROHS (models CTO)	45R1883	2
ODD/FDD/Cardreader Retainers (all models)	43N9351	2
20-in-1 Card Reader (all models)	45R8139	2
Temp Sense Cable (165 mm) (all models)	43N9079	2

<b>9164 Power Cords</b>	<b>FRU#</b>	<b>CRU Tier</b>
Line Cord - US (models A1U A1F A1S A1D A1L A1A A1T)	41R3184	1
Line Cord - US (models A1U A1F A1S A1D A1L A1A A1T)	41R3185	1
Line Cord - China (models A1C)	41R3256	1
Line Cord - China (models A1C)	41R3257	1
Line Cord - Brazil (models A1P)	41R3270	1
Line Cord - Brazil (models A1P)	41R3271	1
Line Cord - LA High Volt (APU) (models A1Y A1L )	41R3176	1
Line Cord - LA High Volt (APU) (models A1Y A1L )	41R3177	1
Line Cord - Korea (models A1K A1R)	41R3260	1
Line Cord - Korea (models A1K A1R)	41R3261	1
Line Cord - UK, Ireland, Singapore, Malaysia, Brunei (models A1G A1A)	41R3224	1
Line Cord - UK, Ireland, Singapore, Malaysia, Brunei (models A1G A1A)	41R3225	1
Y cable for Brazil (models A1Y)	43N9044	1
Line Cord - Taiwan (models A1V)	41R3278	1
Line Cord - Taiwan (models A1V)	41R3279	1
Line Cord - Italy (models A1S A1Y A1L A1G)	41R3232	1
Line Cord - Italy (models A1S A1Y A1L A1G)	41R3233	1
Line Cord - Indonesia, Laos, Cambodia, and Vietnam (models A1A)	41R3208	1
Line Cord - Indonesia, Laos, Cambodia, and Vietnam (models A1A)	41R3209	1
Line Cord - Denmark (models A1G)	41R3212	1
Line Cord - Denmark (models A1G)	41R3213	1
Line Cord - Switzerland (models A1G)	41R3228	1
Line Cord - Switzerland (models A1G)	41R3229	1
Line Cord - Israel (models A1G)	41R3236	1
Line Cord - Israel (models A1G)	41R3237	1
Line Cord - South Africa (models A1M)	41R3220	1
Line Cord - South Africa (models A1M)	41R3221	1
Line Cord - India (models A1Q)	41R3341	1
Line Cord - India (models A1Q)	41R3175	1
Line Cord - Japan (models A1E A1J)	41R3248	1

9164 Power Cords	FRU#	CRU Tier
Line Cord - Japan (models A1E A1J)	41R3249	1
Line Cord - ANZ (models A1M)	41R3196	1
Line Cord - ANZ (models A1M)	41R3197	1
Line Cord - Hong Kong (models A1B A1H )	41R3224	1
Line Cord - Hong Kong (models A1B A1H )	41R3225	1
Y cable for Brazil (models A1Y )	43N9044	1

9164 Windows XP Home Recovery CDs	FRU#	CRU
English (models CTO)	45R6005	1
French (models CTO)	45R6006	1
German (models CTO)	45R6007	1
Spanish (models CTO)	45R6008	1
Brazil (models CTO)	45R6009	1
Italian (models)	45R6010	1
Japanese (models)	45R6011	1
Norwegian (models CTO)	45R6012	1
Swedish (models CTO)	45R6013	1
Danish (models CTO)	45R6014	1
Dutch (models CTO)	45R6015	1
Czech (models CTO)	45R6016	1
Finnish (models CTO)	45R6017	1
Hebrew (models CTO)	45R6018	1
Polish (models CTO)	45R6019	1
Arabic (models CTO)	45R6020	1
Russian (models CTO)	45R6021	1
Turkish (models CTO)	45R6022	1
Hungarian (models CTO)	45R6023	1
Greek (models CTO)	45R6024	1
Simplified Chinese (models CTO)	45R6025	1
Taiwan (models CTO)	45R6026	1
HongKong (models CTO)	45R6027	1
Korea (models CTO)	45R6028	1
Russian English (models CTO)	45R6029	1
Portuguese (models CTO)	45R6030	1

9164 Windows XP Pro Recovery CDs	FRU#	CRU
English (models A1U A1G A1M A1A A1Q A1H A1R A1E A2U A2G A2M A2A A2Q A2H A2R A2E)	45R5979	1
French (models A1F A1G A2F A2G )	45R5980	1
German (models A1G A2G )	45R5981	1
Spanish (models A1G A1S A1D A1Y A2G A2S A2D A2Y)	45R5982	1

<b>9164 Windows XP Pro Recovery CDs</b>	<b>FRU#</b>	<b>CRU</b>
Brazil (models A1P A2P)	45R5983	1
Italian (models A1G A2G )	45R5984	1
Japanese (models A1J A2J)	45R5985	1
Norwegian (models A1G A2G)	45R5986	1
Swedish (models A1G A2G)	45R5987	1
Danish (models A1G A2G)	45R5988	1
Dutch (models A1G A2G)	45R5989	1
Czech (models A1G A2G)	45R5990	1
Finnish (models A1G A2G)	45R5991	1
Hebrew (models A1G A2G)	45R5992	1
Polish (models A1G A2G)	45R5993	1
Arabic (models A1G A2G)	45R5994	1
Russian (models A1G A2G)	45R5995	1
Turkish (models A1G A2G)	45R5996	1
Hungarian (models A1G A2G)	45R5997	1
Greek (models A1G A2G)	45R5998	1
Simplified Chinese (models A1C A2C )	45R5999	1
Taiwan (models A1V A2V)	45R6000	1
HongKong (models A1B A2B)	45R6001	1
Korea (models A1K A2K)	45R6002	1
Russian English (models A1G A2G )	45R6003	1
Portuguese (models A1G A2G )	45R6004	1
MUL 1 - EN, NL, FR, GR, IT (models A1G A2G )	45R5977	1
MUL 2 - EN, DK, FI, NO, SV (models A1G A2G )	45R5978	1

<b>9164 Vista Home Basic 32 Recovery DVDs</b>	<b>FRU#</b>	<b>CRU</b>
English (models)	46R7098	1
Russian English (models CTO)	46R7099	1
French (models CTO)	46R7100	1
German (models CTO)	46R7101	1
Spanish (models CTO)	46R7102	1
Brazilian (models CTO)	46R7103	1
Italian (models CTO)	46R7104	1
Japanese (models)	46R7105	1
Norwegian (models CTO)	46R7106	1
Swedish (models CTO)	46R1086	1
Danish (models CTO)	46R7107	1
Dutch (models CTO)	46R1088	1
Czech (models CTO)	46R1089	1
Finnish (models CTO)	46R1090	1
Polish (models CTO)	46R1091	1

9164 Vista Home Basic 32 Recovery DVDs	FRU#	CRU
Russian (models CTO)	46R7108	1
Turkish (models CTO)	46R1093	1
Hungarian (models CTO)	46R1094	1
Greek (models CTO)	46R1095	1
Simplified Chinese (models CTO)	46R7109	1
Taiwan (models CTO)	46R7110	1
HongKong (models CTO)	46R7110	1
Korea (models)	46R1099	1
Slovenian (models CTO)	46R1100	1
Hebrew (models CTO)	46R1101	1
Portuguese (models CTO)	46R1102	1
Arabic Localized (models CTO)	46R1103	1
Slovakia (models CTO)	46R1104	1

9164 Vista Business 32 Recovery DVDs	FRU#	CRU
English (models A1U A1G A1M A1A A1Q A1H A1R A1E A2U A2G A2M A2A A2Q A2H A2R A2E)	46R7070	1
Russian English (models A1G A2G )	46R7071	1
French (models A1F A1G A2F A2G )	46R7072	1
German (models A1G A2G )	46R7073	1
Spanish (models A1G A1S A1D A1Y A2G A2S A2D A2Y)	46R7074	1
Brazilian (models A1P A2P)	46R7075	1
Italian (models A1G A2G )	46R7076	1
Japanese (models A1J A2J )	46R7077	1
Norwegian (models A1G A2G )	46R7078	1
Swedish (models A1G A2G )	46R1028	1
Danish (models A1G A2G )	46R7079	1
Dutch (models A1G A2G )	46R1030	1
Czech (models A1G A2G )	46R1031	1
Finnish (models A1G A2G )	46R1032	1
Polish (models A1G A2G )	46R1033	1
Russian (models A1G A2G )	46R7080	1
Turkish (models A1G A2G )	46R1035	1
Hungarian (models A1G A2G )	46R1036	1
Greek (models A1G A2G )	46R1037	1
Simplified Chinese (models A1C A2C )	46R7081	1
Traditional Chinese (models A1V A2V A1B A2B)	46R7082	1
Traditional Chinese (models A1V A2V A1B A2B)	46R7083	1
Korean (models A1K A2K)	46R1041	1
Slovenian (models A1G A2G )	46R1042	1
Romanian (models A1G A2G )	46R1043	1

<b>9164 Vista Business 32 Recovery DVDs</b>	<b>FRU#</b>	<b>CRU</b>
Portuguese (models A1G A2G)	46R1044	1
Sebian-Latin (models)	46R1045	1
Slovakian (models A1G A2G)	46R1046	1
Arabic Localized (models)	46R1047	1
Hebrew (models A1G A2G)	46R1048	1

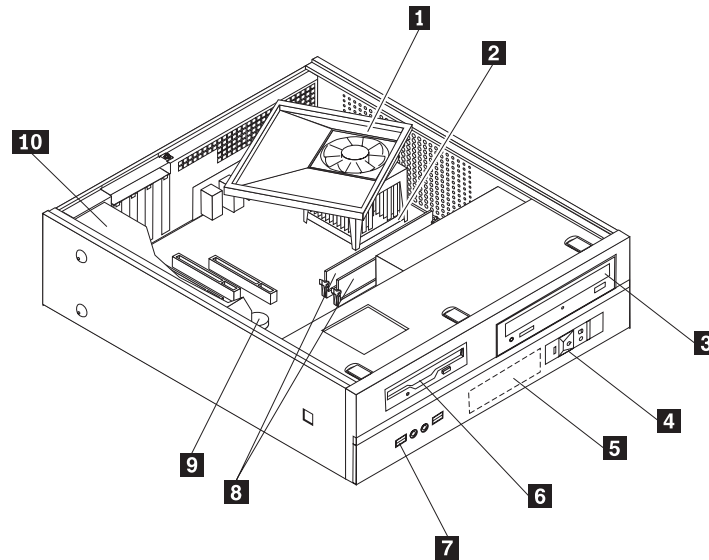
<b>9164 Vista Ultimate 32 Recovery DVDs</b>	<b>FRU#</b>	<b>CRU</b>
English (models)	45R5949	1
Russian English (models)	45R5950	1
French (models)	45R5951	1
German (models)	45R5952	1
Spanish (models)	45R5953	1
Brazilian (models)	45R5954	1
Italian (models)	45R5955	1
Japanese (models)	45R5956	1
Norwegian (models)	45R5957	1
Swedish (models)	45R5958	1
Danish (models)	45R5959	1
Dutch (models)	45R5960	1
Czech (models)	45R5961	1
Finnish (models)	45R5962	1
Polish (models)	45R5963	1
Russian (models)	45R5964	1
Turkish (models)	45R5965	1
Hungarian (models)	45R5966	1
Greek (models)	45R5967	1
Simplified Chinese (models)	45R5968	1
Traditional Chinese (models)	45R5969	1
Traditional Chinese (models)	45R5970	1
Korean (models)	45R5971	1
Slovenian (models)	45R5972	1
Hebrew (models)	45R5973	1
Portuguese (models)	45R5974	1
Slovakian (models)	45R5975	1
Arabic Localized (models)	45R5976	1

<b>9164 XP Pro Recovery DVDs</b>	<b>FRU#</b>	<b>CRU</b>
English (models)	45R8811	1
French (models)	45R8812	1
German (models)	45R8813	1
Spanish (models)	45R8814	1

9164 XP Pro Recovery DVDs	FRU#	CRU
Brazil (models)	45R8815	1
Italian (models)	45R8816	1
Japanese (models)	45R8817	1
Norwegian (models)	45R8818	1
Swedish (models)	45R8819	1
Danish (models)	45R8820	1
Dutch (models)	45R8821	1
Czech (models)	45R8822	1
Finnish (models)	45R8823	1
Hebrew (models)	45R8824	1
Polish (models)	45R8825	1
Arabic (models)	45R8826	1
Russian (models)	45R8827	1
Turkish (models)	45R8828	1
Hungarian (models)	45R8829	1
Greek (models)	45R8830	1
Simplified Chinese (models)	45R8831	1
Taiwan (models)	45R8832	1
HongKong (models)	45R8833	1
Korea (models)	45R8834	1
Russian English (models)	45R8835	1
Portuguese (models)	45R8836	1
Slovenian (models)	45R8837	1



## Machine Type 9172



Item #	9172 FRUs	FRU#	CRU
1	Heat Sink/RM Kit Intel (all models)	41R6022	2
2	Microprocessor, Core 2 Duo E6550 Processor 2.33GHz 1333MHz FSB 4M L2 (models A1G A1M A1A A1Q A1T A1C A1B A1H A1V A1K A1J)	43C3833	N
2	Microprocessor, Core 2 Duo E2220 Processor 2.4GHz 800MHz FSB 1M L2 65W (models)	45C1774	N
2	Microprocessor, Core 2 Duo E4700 Processor 2.6GHz 800MHz 2M 65W (models)	45R5786	N
2	Microprocessor, Core 2 Duo E6540 Processor 2.33GHz 1333MHz FSB 4M L2 (models CTO)	43C6307	N
2	Microprocessor, Q6600 KENTSFIELD G-0 8MB 4c LGA 2.4GHZ 1066FSB (models CTO)	43C1695	N
2	Microprocessor, Q6700 KENTSFIELD G-0 8MB 4c LGA 2.66GHZ 1066FSB (models CTO)	43C6309	N
2	Microprocessor, Core 2 Duo E4600 Processor 2.4GHz 800MHz FSB 2M L2 (models)	45C5282	N
2	Microprocessor, Core 2 Duo E2200 Processor 2.2GHz 800MHz FSB 1M L2 (models)	45C5349	N
2	Microprocessor, Core 2 Duo E8500 Processor 3.16GHz 1333MHz FSB 6M L2 (models CTO)	45C7735	N
2	Microprocessor, Core 2 Duo E8400 Processor 3.0GHz 1333MHz FSB 6M L2 (models)	45C7736	N
2	Microprocessor, Core 2 Duo E8300 Processor 2.83GHz 1333MHz FSB 6M L2 (models)	45C7737	N
2	Microprocessor, Core 2 Duo E8200 Processor 2.66GHz 1333MHz FSB 6M L2 (models)	45C7738	N
2	Microprocessor, Core2 Duo E8190 Processor 1333/2600MHz 6M L2 65W Non vPro (models)	45R2568	N
2	Microprocessor, Core 2 Duo E7200 Processor 2.53GHz 1066MHz 3M L2 65W (models)	45R8337	N
2	Microprocessor, Dual Core E1400 Processor 2.0GHz 800MHz 512K L2 65W (models)	45R8339	N
2	Microprocessor, Dual Core E1200 Processor 1.6GHz 800MHz 512K (models)	45R8341	N

Item #	9172 FRUs	FRU#	CRU
2	Microprocessor, Wolfdale Core 2 Duo E7300 Processor 2.66GHz 1066MHz FSB 3M L2 65W M0 Stepping (models)	46R1622	N
2	Microprocessor, Dual Core E1600 Processor 2.4GHz 800MHz 512K L2 65W M0 Stepping Level (models)	46R1655	N
2	Microprocessor, Core 2 Duo E2180 Processor 2.0GHz 800MHz FSB 1M L2 (models)	45C1773	N
3	DVD-ROM/CD-RW Combo Drive - 48x/32x/48x/16x - SATA vista and XP (models A1U A1F A1S A1P A1G A1M A1A A1Q A1T A1C A1B A1H A1V A1K A1J)	42Y9353	2
4	Front Power/LED PC, bracket, and cable (all models)	41N8213	2
5	Hard disk drive, 160GB (7200RPM), Serial ATA (models A1G A1M A1A A1Q A1T A1C A1B A1H A1V A1K A1J )	40Y9035	2
6	Diskette drive, 3.5" 1.44MB 2 Mode FDD (models)	40Y9107	2
6	Diskette drive, 3.5" 1.44MB 2 Mode FDD (models)	40Y9105	2
7	Front USB/Audio with bracket (all models)	41N8212	2
8	Memory module, 1 GB PC2-5300 (667MHz) DDR2 SDRAM (models A1G A1M A1A A1Q A1T A1C A1B A1H A1V A1K A1J)	41X4256	2
9	System board, Saturn non AMT(GA) support 45nm processor (models A1G A1M A1A A1Q A1T A1C A1B A1H A1V A1K A1J )	45R5312	N
9	System board, Saturn AMT(GA) support 45nm processor (models)	45R5313	N
10	280 Watt DT Power Supply -Standard, Robust, JP (models A1G A1M A1A A1Q A1T A1C A1B A1H A1V A1K A1J)	41A9705	N
10	225 Watt Power Supply (active PFC) - Standard, Robust, JP (models A1G A1M A1A A1Q A1T A1C A1B A1H A1V A1K A1J )	41N3105	N

The FRUs listed in the following tables are not illustrated.

9172 FRUs	FRU#	CRU
Second Serial Port Cable, 250mm (all models)	42Y8008	2
Cable, diskette drive (all models)	41A7147	2
Hard disk drive fan and bracket asm (all models)	41R6325	2
Fan duct assembly (all models)	41R4808	2
Shield, EMC, blank 5.25 in. drive bay (all models)	41N8271	2
Shield, EMC, blank diskette drive bay (all models)	41N8273	2
Foot stand (all models)	41R4813	1
Rear USB 2Ports II LP (R), low profile I/O, 200mm, Rohs (all models)	42Y8006	2
System board shield (all models)	41R6108	N
Cover (all models)	41N8204	2
Mechanical shell kit (all models)	41R6223	N
Miscellaneous hardware kit (all models)	41N8209	2
Hard disk drive bracket assembly (plastic and grommets) (all models)	41N8210	2
Speaker cable assembly, 600 mm cable length (all models)	41N8217	2
Intrusion switch assembly (all models)	41R6208	2
Bezel kit, without IBM logo (all models)	41R6238	2
20-in-1 Card Reader (all models)	45R8139	2

9172 FRUs	FRU#	CRU
Temp Sense Cable (165 mm) (all models)	43N9079	2
Intel 65W/95W Heatsink Kit (all models)	41R6429	2

9172 Keyboards (USB Preferred - without hub)	FRU#	CRU Tier
US English (models A1G A1M A1A A1Q A1H A2H)	41A5289	1
Arabic (models A1G)	41A5290	1
Arabic/French (models A1G)	41A5291	1
Belgian/French (models A1G)	41A5292	1
Belgian/UK (models A1G)	41A5293	1
Brazilian (models)	41A5294	1
Bulgarian (models A1G)	41A5295	1
Chinese/US (models A1B A1V)	41A5296	1
Czech (models A1G)	41A5297	1
Danish (models A1G)	41A5298	1
Dutch (models A1G)	41A5299	1
French (models A1G)	41A5300	1
French Canadian 445 (models)	41A5301	1
French Canadian 58 (models)	41A5302	1
German (models A1G)	41A5303	1
Greek (models A1G)	41A5304	1
Greek/US (models A1G)	41A5305	1
Hebrew (models A1G)	41A5306	1
Hungarian (models A1G)	41A5307	1
Iceland (models A1G)	41A5308	1
Japanese (models A1J A2J)	41A5310	1
Korean (models A1K)	41A5311	1
LA Spanish (models)	41A5312	1
Italian 141 (models A1G)	41A5309	1
Norwegian (models A1G)	41A5313	1
Polish (models A1G)	41A5314	1
Portuguese (models A1G)	41A5315	1
Romanian 096 (models A1G)	41A5317	1
Romanian 446 (models A1G)	41A5316	1
Russian/Cyrillic (models A1G)	41A5318	1
Serbian/Cyrillic (models A1G)	41A5319	1
Slovak (models A1G)	41A5320	1
Spanish (models A1G)	41A5321	1
Swedish/Finn (models A1G)	41A5322	1
Swiss (models A1G)	41A5323	1
Thailand (models A1T)	41A5324	1
Turkish 440 (models A1G)	41A5325	1

<b>9172 Keyboards (USB Preferred - without hub)</b>	<b>FRU#</b>	<b>CRU Tier</b>
Turkish 179 (models A1G)	41A5326	1
UK English (models A1G)	41A5327	1
US Euro (models A1G)	41A5328	1
Slovenian (models A1G)	41A5329	1

<b>9172 Keyboards (Fingerprint Reader USB)</b>	<b>FRU#</b>	<b>CRU Tier</b>
US English (models)	41A5248	1
Arabic (models)	41A5249	1
Arabic/French (models)	41A5250	1
Belgian/French (models)	41A5251	1
Belgian/UK (models)	41A5252	1
Brazil/Portuguese (models)	41A5253	1
Bulgarian (models)	41A5254	1
Chinese (models)	41A5255	1
Czech (models)	41A5256	1
Danish (models)	41A5257	1
Dutch (models)	41A5258	1
French (models)	41A5259	1
French Canadian 445 (models)	41A5260	1
French Canadian 58 (models)	41A5261	1
German (models)	41A5262	1
Greek (models)	41A5263	1
Greek/US (models)	41A5264	1
Hebrew (models)	41A5265	1
Hungarian (models)	41A5266	1
Iceland (models)	41A5267	1
Italian 141 (models)	41A5268	1
Japanese (models)	41A5269	1
Korean (models)	41A5270	1
LA Spanish (models)	41A5271	1
Norwegian (models)	41A5272	1
Polish (models)	41A5273	1
Portuguese (models)	41A5274	1
Romanian 096 (models)	41A5275	1
Romanian 446 (models)	41A5276	1
Russian/Cyrillic (models)	41A5277	1
Serbian/Cyrillic (models)	41A5278	1
Slovak (models)	41A5279	1
Spanish (models)	41A5280	1
Swedish/Finn (models)	41A5281	1
Swiss (models)	41A5282	1

<b>9172 Keyboards (Fingerprint Reader USB)</b>	<b>FRU#</b>	<b>CRU Tier</b>
Thailand (models)	41A5283	1
Turkish 440 (models)	41A5284	1
Turkish 179 (models)	41A5285	1
UK English (models)	41A5286	1
US Euro (models)	41A5287	1
Slovenian (models)	41A5288	1

<b>9172 mice</b>	<b>FRU#</b>	<b>CRU</b>
Optical Wheel Mouse (400DPI, USB) (models A1G A1M A1A A1Q A1T A1C A1B A1H A1V A1K A1J)	41U3013	1
Optical Wheel Mouse (400DPI, USB) models A1G A1M A1A A1Q A1T A1C A1B A1H A1V A1K A1J)	41U3030	1

<b>9172 Adapters and miscellaneous FRUs</b>	<b>FRU#</b>	<b>CRU</b>
IEEE 1394 Firewire Adapter (LP) (models CTO)	41D2781	2
Speaker Power brick - US, Canada, LA low voltage, ASEAN (models A1A)	89P8571	1
Speaker Power brick - LA high voltage (non-APU) (models)	89P8575	1
Speaker Power brick - China, Thailand (models A1C A1T )	89P8581	1
Speaker Power brick - Japan (models A1J )	89P8577	1
Speaker Power brick - ANZ (models A1M)	89P8579	1
Speaker Brick - Korea (models A1K)	41A4903	1
Speaker Power brick - Hong Kong, Malaysia, Singapore, UK, Brunei (models A1B A1H)	89P8573	1
Speaker Brick - Taiwan (models A1V)	41A4905	1
Speaker Power brick - India, South Africa (models A1Q)	89P8585	1
ATI RV610 256M LP, PCIe x16, DMS59/S-Video (models)	64Y3999	2
ATI RV610 128M ATX, PCIe x16, DMS59/S-Video (models)	64Y3997	2
New Casper DVI-D card, low profile, support HDCP (models)	43C0258	2
USB2.0 MEMORY CARDREADER,6X2,ROHS, Slim (models CTO)	45R1883	2

<b>9172 Power Cords</b>	<b>FRU#</b>	<b>CRU Tier</b>
Line Cord - US (models A1U A1F A1S A1D A1L A1A A1T )	41R3184	1
Line Cord - US (models A1U A1F A1S A1D A1L A1A A1T )	41R3185	1
Line Cord - China (models A1C)	41R3256	1
Line Cord - China (models A1C)	41R3257	1
Line Cord - Brazil (models A1P)	41R3270	1
Line Cord - Brazil (models A1P)	41R3271	1
Line Cord - LA High Volt (APU) (models A1Y A1L )	41R3176	1
Line Cord - LA High Volt (APU) (models A1Y A1L )	41R3177	1
Line Cord - Korea (models A1K A1R)	41R3260	1
Line Cord - Korea (models A1K A1R)	41R3261	1
Line Cord - UK, Ireland, Singapore, Malaysia, Brunei (models A1G A1A)	41R3224	1

9172 Power Cords	FRU#	CRU Tier
Line Cord - UK, Ireland, Singapore, Malaysia, Brunei (models A1G A1A)	41R3225	1
Line Cord - Taiwan (models A1V)	41R3278	1
Line Cord - Taiwan (models A1V)	41R3279	1
Line Cord - Italy (models A1S A1Y A1L A1G)	41R3232	1
Line Cord - Italy (models A1S A1Y A1L A1G)	41R3233	1
Line Cord - Indonesia, Laos, Cambodia, and Vietnam (models A1A)	41R3208	1
Line Cord - Indonesia, Laos, Cambodia, and Vietnam (models A1A)	41R3209	1
Line Cord - Denmark (models A1G)	41R3212	1
Line Cord - Denmark (models A1G)	41R3213	1
Line Cord - Switzerland (models A1G)	41R3228	1
Line Cord - Switzerland (models A1G)	41R3229	1
Line Cord - Israel (models A1G)	41R3236	1
Line Cord - Israel (models A1G)	41R3237	1
Line Cord - South Africa (models A1M )	41R3220	1
Line Cord - South Africa (models A1M )	41R3221	1
Line Cord - India (models A1Q)	41R3341	1
Line Cord - India (models A1Q)	41R3175	1
Line Cord - Japan (models A1E A1J )	41R3248	1
Line Cord - Japan (models A1E A1J )	41R3249	1
Line Cord - ANZ (models A1M )	41R3196	1
Line Cord - ANZ (models A1M )	41R3197	1
Line Cord - Hong Kong (models A1B A1H )	41R3224	1
Line Cord - Hong Kong (models A1B A1H )	41R3225	1

9172 Windows XP Home Recovery CDs	FRU#	CRU
English (models CTO)	45R6005	1
French (models CTO)	45R6006	1
German (models CTO)	45R6007	1
Spanish (models CTO)	45R6008	1
Brazil (models CTO)	45R6009	1
Italian (models)	45R6010	1
Japanese (models)	45R6011	1
Norwegian (models CTO)	45R6012	1
Swedish (models CTO)	45R6013	1
Danish (models CTO)	45R6014	1
Dutch (models CTO)	45R6015	1
Czech (models CTO)	45R6016	1
Finnish (models CTO)	45R6017	1
Hebrew (models CTO)	45R6018	1
Polish (models CTO)	45R6019	1
Arabic (models CTO)	45R6020	1

9172 Windows XP Home Recovery CDs	FRU#	CRU
Russian (models CTO)	45R6021	1
Turkish (models CTO)	45R6022	1
Hungarian (models CTO)	45R6023	1
Greek (models CTO)	45R6024	1
Simplified Chinese (models CTO)	45R6025	1
Taiwan (models CTO)	45R6026	1
HongKong (models CTO)	45R6027	1
Korea (models CTO)	45R6028	1
Russian English (models CTO)	45R6029	1
Portuguese (models CTO)	45R6030	1

9172 Windows XP Pro Recovery CDs	FRU#	CRU
English (models)	45R5979	1
French (models)	45R5980	1
German (models)	45R5981	1
Spanish (models)	45R5982	1
Brazil (models)	45R5983	1
Italian (models)	45R5984	1
Japanese (models)	45R5985	1
Norwegian (models)	45R5986	1
Swedish (models)	45R5987	1
Danish (models)	45R5988	1
Dutch (models)	45R5989	1
Czech (models)	45R5990	1
Finnish (models)	45R5991	1
Hebrew (models)	45R5992	1
Polish (models)	45R5993	1
Arabic (models)	45R5994	1
Russian (models)	45R5995	1
Turkish (models)	45R5996	1
Hungarian (models)	45R5997	1
Greek (models)	45R5998	1
Simplified Chinese (models)	45R5999	1
Taiwan (models)	45R6000	1
HongKong (models)	45R6001	1
Korea (models)	45R6002	1
Russian English (models)	45R6003	1
Portuguese (models)	45R6004	1
MUL 1 - EN, NL, FR, GR, IT (models)	45R5977	1
MUL 2 - EN, DK, FI, NO, SV (models)	45R5978	1

9172 Vista Home Basic 32 Recovery DVDs	FRU#	CRU
English (models)	46R7098	1
Russian English (models CTO)	46R7099	1
French (models CTO)	46R7100	1
German (models CTO)	46R7101	1
Spanish (models CTO)	46R7102	1
Brazilian (models CTO)	46R7103	1
Italian (models CTO)	46R7104	1
Japanese (models)	46R7105	1
Norwegian (models CTO)	46R7106	1
Swedish (models CTO)	46R1086	1
Danish (models CTO)	46R7107	1
Dutch (models CTO)	46R1088	1
Czech (models CTO)	46R1089	1
Finnish (models CTO)	46R1090	1
Polish (models CTO)	46R1091	1
Russian (models CTO)	46R7108	1
Turkish (models CTO)	46R1093	1
Hungarian (models CTO)	46R1094	1
Greek (models CTO)	46R1095	1
Simplified Chinese (models CTO)	46R7109	1
Taiwan (models CTO)	46R7110	1
HongKong (models CTO)	46R7111	1
Korea (models)	46R1099	1
Slovenian (models CTO)	46R1100	1
Hebrew (models CTO)	46R1101	1
Portuguese (models CTO)	46R1102	1
Arabic Localized (models CTO)	46R1103	1
Slovakia (models CTO)	46R1104	1

9172 Vista Business 32 Recovery DVDs	FRU#	CRU
English (models A1M A1A A1Q A1H)	46R7070	1
Russian English (models A1G)	46R7071	1
French (models A1G)	46R7072	1
German (models A1G)	46R7073	1
Spanish (models A1G)	46R7074	1
Brazilian (models)	46R7075	1
Italian (models A1G)	46R7076	1
Japanese (models A1J)	46R7077	1
Norwegian (models A1G)	46R7078	1
Swedish (models A1G)	46R1028	1
Danish (models A1G)	46R7079	1



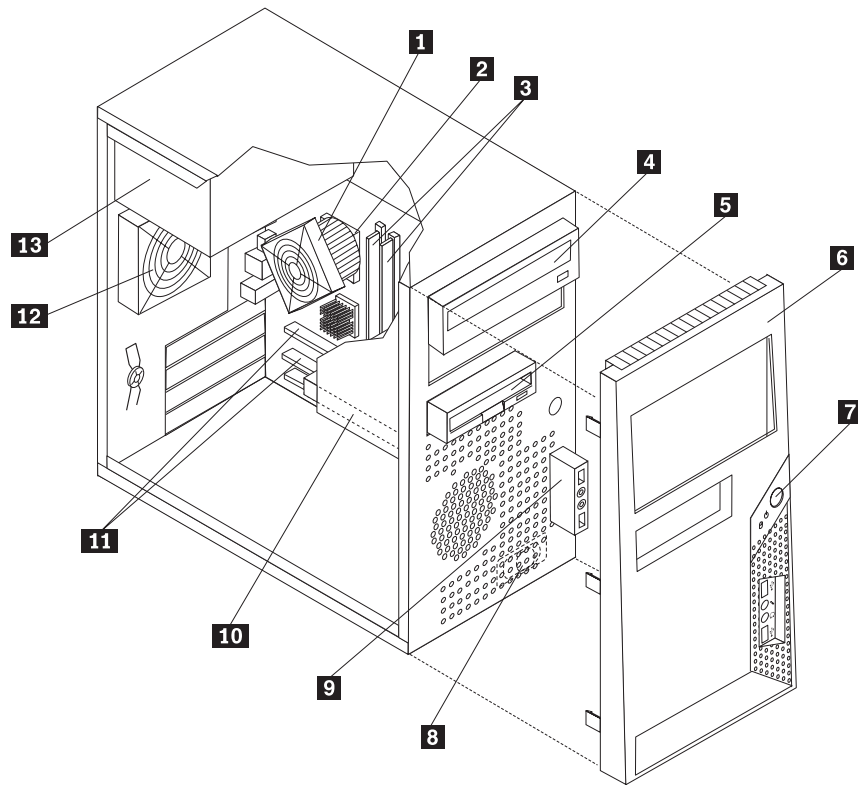
9172 Vista Business 32 Recovery DVDs	FRU#	CRU
Dutch (models A1G)	46R1030	1
Czech (models A1G)	46R1031	1
Finnish (models A1G)	46R1032	1
Polish (models A1G)	46R1033	1
Russian (models A1G)	46R7080	1
Turkish (models A1G)	46R1035	1
Hungarian (models A1G)	46R1036	1
Greek (models A1G)	46R1037	1
Simplified Chinese (models A1C)	46R7081	1
Traditional Chinese (models A1V)	46R7082	1
Traditional Chinese (models A1B)	46R7083	1
Korean (models A1K)	46R1041	1
Slovenian (models A1G)	46R1042	1
Romanian (models A1G)	46R1043	1
Portuguese (models A1G)	46R1044	1
Sebian-Latin (models)	46R1045	1
Slovakian (models A1G)	46R1046	1
Arabic Localized (models)	46R1047	1
Hebrew (models A1G)	46R1048	1

9172 Vista Ultimate 32 Recovery DVDs	FRU#	CRU
English (models)	45R5949	1
Russian English (models)	45R5950	1
French (models)	45R5951	1
German (models)	45R5952	1
Spanish (models)	45R5953	1
Brazilian (models)	45R5954	1
Italian (models)	45R5955	1
Japanese (models)	45R5956	1
Norwegian (models)	45R5957	1
Swedish (models)	45R5958	1
Danish (models)	45R5959	1
Dutch (models)	45R5960	1
Czech (models)	45R5961	1
Finnish (models)	45R5962	1
Polish (models)	45R5963	1
Russian (models)	45R5964	1
Turkish (models)	45R5965	1
Hungarian (models)	45R5966	1
Greek (models)	45R5967	1
Simplified Chinese (models)	45R5968	1

9172 Vista Ultimate 32 Recovery DVDs	FRU#	CRU
Traditional Chinese (models)	45R5969	1
Traditional Chinese (models)	45R5970	1
Korean (models)	45R5971	1
Slovenian (models)	45R5972	1
Hebrew (models)	45R5973	1
Portuguese (models)	45R5974	1
Slovakian (models)	45R5975	1
Arabic Localized (models)	45R5976	1

9172 XP Pro Recovery DVDs	FRU#	CRU
English (models)	45R8811	1
French (models)	45R8812	1
German (models)	45R8813	1
Spanish (models)	45R8814	1
Brazil (models)	45R8815	1
Italian (models)	45R8816	1
Japanese (models)	45R8817	1
Norwegian (models)	45R8818	1
Swedish (models)	45R8819	1
Danish (models)	45R8820	1
Dutch (models)	45R8821	1
Czech (models)	45R8822	1
Finnish (models)	45R8823	1
Hebrew (models)	45R8824	1
Polish (models)	45R8825	1
Arabic (models)	45R8826	1
Russian (models)	45R8827	1
Turkish (models)	45R8828	1
Hungarian (models)	45R8829	1
Greek (models)	45R8830	1
Simplified Chinese (models)	45R8831	1
Taiwan (models)	45R8832	1
HongKong (models)	45R8833	1
Korea (models)	45R8834	1
Russian English (models)	45R8835	1
Portuguese (models)	45R8836	1
Slovenian (models)	45R8837	1

# Machine Type 9174



Item #	9174 FRUs	FRU#	CRU Tier
1	Intel 65W/95w heatsink (all models)	43N9309	2
2	Microprocessor, Core 2 Duo E6550 Processor 2.33GHz 1333MHz FSB 4M L2 (models A1U A1F A1S A1P A1G A1M A1A A1Q A1T A1C A1B A1H A1V A1K A1J)	43C3833	N
2	Microprocessor, Core 2 Duo E2220 Processor 2.4GHz 800MHz FSB 1M L2 65W (models)	45C1774	N
2	Microprocessor, Core 2 Duo E4700 Processor 2.6GHz 800MHz 2M 65W (models)	45R5786	N
2	Microprocessor, Core 2 Duo E6540 Processor 2.33GHz 1333MHz FSB 4M L2 (models CTO)	43C6307	N
2	Microprocessor, Q6600 KENTSFIELD G-0 8MB 4c LGA 2.4GHZ 1066FSB G-0 Stepping Level, 95W (models CTO)	43C1695	N
2	Microprocessor, Q6700 KENTSFIELD G-0 8MB 4c LGA G-0 Stepping Level, 95W 2.66GHZ 1066FSB (models CTO)	43C6309	N
2	Microprocessor, Core 2 Duo E4600 Processor 2.4GHz 800MHz FSB 2M L2 M-0 Stepping Level, Mainstream/Value FMB (models)	45C5282	N
2	Microprocessor, Core 2 Duo E2200 Processor 2.2GHz 800MHz FSB 1M L2 M-0 Stepping Level, Mainstream/Value FMB (models)	45C5349	N
2	Microprocessor, Core 2 Duo E8500 Processor 3.16GHz 1333MHz FSB 6M L2 65W (models CTO)	45C7735	N
2	Microprocessor, Core 2 Duo E8400 Processor 3.0GHz 1333MHz FSB 6M L2 65W (models)	45C7736	N
2	Microprocessor, Core 2 Duo E8300 Processor 2.83GHz 1333MHz FSB 6M L2 65W (models)	45C7737	N

Item #	9174 FRUs	FRU#	CRU Tier
2	Microprocessor, Core 2 Duo E8200 Processor 2.66GHz 1333MHz FSB 6M L2 65W (models)	45C7738	N
2	Microprocessor, Core2 Duo E8190 Processor 1333/2600MHz 6M L2 65W Non vPro (models)	45R2568	N
2	Microprocessor, Core 2 Duo E7200 Processor 2.53GHz 1066MHz 3M L2 65W (models)	45R8337	N
2	Microprocessor, Dual Core E1400 Processor 2.0GHz 800MHz 512K L2 65W (models)	45R8339	N
2	Microprocessor, Dual Core E1200 Processor 1.6GHz 800MHz 512K (models)	45R8341	N
2	Microprocessor, Wolfdale Core 2 Duo E7300 Processor 2.66GHz 1066MHz FSB 3M L2 65W M0 Stepping (models)	46R1622	N
2	Microprocessor, Dual Core E1600 Processor 2.4GHz 800MHz 512K L2 65W M0 Stepping Level (models)	46R1655	N
2	Microprocessor, Core 2 Duo E2180 Processor 2.0GHz 800MHz FSB 1M L2 (models)	45C1773	N
3	Memory module, 1 GB PC2-5300 (667MHz) DDR2 SDRAM (models A1U A1F A1S A1P A1G A1M A1A A1Q A1T A1C A1B A1H A1V A1K A1J A2U A2F A2S A2P A2L A2D A2Y A2G A2M A2A A2Q A2T A2C A2B A2H A2V A2K A2R A2E A2J )	41X4256	2
4	DVD-ROM Drive - 16x/48x - SATA XP and Vista (models A2U A2F A2S A2P A2G A2M A2A A2Q A2T A2C A2B A2H A2V A2K A2J)	41N3325	2
4	DVD-ROM/CD-RW Combo Drive - 48x/32x/48x/16x - SATA vista and XP (models A1U A1F A1S A1P A1G A1M A1A A1Q A1T A1C A1B A1H A1V A1K A1J)	42Y9353	2
4	DVD-RW/CD-RW Rambo 8 - SATA VISTA AND XP (models A2U A2F A2S A2P A2L A2D A2Y A2G A2M A2A A2Q A2T A2C A2B A2H A2V A2K A2R A2E A2J)	43C1042	2
5	Diskette drive, 3.5" 1.44MB 2 Mode FDD (models)	40Y9105	2
5	Diskette drive, 3.5" 1.44MB 2 Mode FDD (models)	40Y9107	2
6	Bezel assembly (all models)	41N8052	2
7	Power switch/LED assembly (all models)	41N5284	2
8	Speaker assembly, soldered terminals (all models)	39P5023	2
9	Front audio/USB assembly (all models)	41N8054	2
10	Hard disk drive, 160GB (7200RPM), Serial ATA (models A1U A1F A1D A1P A1G A1M A1A A1Q A1T A1C A1B A1H A1V A1K A1J A2U A2F A2S A2P A2L A2D A2Y A2G A2M A2A A2Q A2T A2C A2B A2H A2V A2K A2R A2E A2J)	40Y9035	2
11	System board, Tamdhu II - Saturn non AMT(GA) support 45nm processor (Hard from 45R5312) (models A1U A1F A1S A1P A1G A1M A1A A1Q A1T A1C A1B A1H A1V A1K A1J A2U A2F A2S A2P A2L A2D A2Y A2G A2M A2A A2Q A2T A2C A2B A2H A2V A2K A2R A2E A2J)	46R1842	N
11	System board, Tamdhu II - Saturn AMT(GA) support 45nm processor (Hard from 45R5313) (models)	46R1843	N
12	Fan, Rear w/ grommets & Grill (all models)	41R6046	2
13	Power supply, 280 Watt ATX Power Supply - Standard, Robust (models A1U A1F A1S A1P A1G A1M A1A A1Q A1T A1C A1B A1H A1V A1K A2U A2F A2S A2P A2L A2D A2Y A2G A2M A2A A2Q A2T A2C A2B A2H A2V A2K A2R A2E A2J )	41A9684	2
13	Power supply, 310 Watt ATX Power Supply - Standard, Robust, JP (models A1Q A1C A1B A1H A1V)	41A9726	2

Item #	9174 FRUs	FRU#	CRU Tier
13	Power supply, 280 Watt ATX Power Supply (80plus) - Standard, Robust, JP (models A1U A1F A1S A1P A1G A1M A1A A1Q A1T A1C A1B A1H A1V A1K A1J A2U A2F A2S A2P A2L A2D A2Y A2G A2M A2A A2Q A2T A2C A2B A2H A2V A2K A2R A2E A2J)	41A9665	2

The FRUs listed in the following tables are not illustrated.

9174 FRUs	FRU#	CRU Tier
Shield, 5.25 EMC (all models)	41N8080	2
Shield, diskette drive EMC (all models)	41N8078	2
Cable, Diskette drive (RoHs) (all models)	41A7182	2
Kit, Miscellaneous hardware (all models)	41N8055	2
Retainer, Card Reader (all models)	41R2913	2
Optional HDD Bracket Asm, without 4Pin cable (all models)	41R6106	2
Intrusion Switch asm (all models)	41R6116	2
Bezel, without IBM mark (all models)	41R6243	2
Cover, left side (all models)	41N8050	1
Chassis without IBM mark (all models)	41R6241	N
4 Pin System Fan (all models)	41R6269	N
Hard disk drive tray (all models)	41R6291	N
Fan, front (all models)	41R4791	2
SATA cable,457mm,1 latching for device,RoHS (all models)	43N9013	2
SATA cable,250mm,1 latching for device,RoHS (all models)	43N9012	2
Fru-Cable, Temp Sense Cable (460mm) (all models)	41R2509	2
FRU - Blank 5.25" Bezel (all models)	41N8077	2

9174 Keyboards (USB Preferred - without hub)	FRU#	CRU Tier
US English (models A1U A1G A1M A1A A1Q A2U A22G A2M A2A A2Q )	41A5289	1
Arabic (models A1G A2G)	41A5290	1
Arabic/French (models A1G)	41A5291	1
Belgian/French (models A1G A2G)	41A5292	1
Belgian/UK (models A1G A2G)	41A5293	1
Brazilian (models A1G A2G)	41A5294	1
Bulgarian (models A1G A2G)	41A5295	1
Chinese/US (models A1B A1V A2B A2V)	41A5296	1
Czech (models A1G A2G )	41A5297	1
Danish (models A1G A2G )	41A5298	1
Dutch (models A1G A2G )	41A5299	1
French (models A1G A2G )	41A5300	1
French Canadian 445 (models A1F A2F)	41A5301	1
French Canadian 58 (models A1F A2F)	41A5302	1
German (models A1G A2G )	41A5303	1

<b>9174 Keyboards (USB Preferred - without hub)</b>	<b>FRU#</b>	<b>CRU Tier</b>
Greek (models A1G A2G )	41A5304	1
Greek/US (models A1G A2G )	41A5305	1
Hebrew (models A1G A2G )	41A5306	1
Hungarian (models A1G A2G )	41A5307	1
Iceland (models A1G A2G )	41A5308	1
Japanese (models A1J A2J)	41A5310	1
Korean (models A1K A2K)	41A5311	1
LA Spanish (models A1S A2S)	41A5312	1
Italian 141 (models A1G A2G )	41A5309	1
Norwegian (models A1G A2G )	41A5313	1
Polish (models A1G A2G )	41A5314	1
Portuguese (models A1G A2G )	41A5315	1
Romanian 096 (models A1G A2G )	41A5317	1
Romanian 446 (models A1G A2G )	41A5316	1
Russian/Cyrillic (models A1G A2G )	41A5318	1
Serbian/Cyrillic (models A1G A2G )	41A5319	1
Slovak (models A1G A2G )	41A5320	1
Spanish (models A1G A2G )	41A5321	1
Swedish/Finn (models A1G A2G )	41A5322	1
Swiss (models A1G A2G )	41A5323	1
Thailand (models A1T A2T)	41A5324	1
Turkish 440 (models A1G A2G )	41A5325	1
Turkish 179 (models A1G A2G)	41A5326	1
UK English (models A1G A2G)	41A5327	1
US Euro (models A1G A2G )	41A5328	1
Slovenian (models A1G A2G )	41A5329	1

<b>9174 Keyboards (Fingerprint Reader USB)</b>	<b>FRU#</b>	<b>CRU Tier</b>
US English (models)	41A5248	1
Arabic (models)	41A5249	1
Arabic/French (models)	41A5250	1
Belgian/French (models)	41A5251	1
Belgian/UK (models)	41A5252	1
Brazil/Portuguese (models)	41A5253	1
Bulgarian (models)	41A5254	1
Chinese (models)	41A5255	1
Czech (models)	41A5256	1
Danish (models)	41A5257	1
Dutch (models)	41A5258	1
French (models)	41A5259	1
French Canadian 445 (models)	41A5260	1

9174 Keyboards (Fingerprint Reader USB)	FRU#	CRU Tier
French Canadian 58 (models)	41A5261	1
German (models)	41A5262	1
Greek (models)	41A5263	1
Greek/US (models)	41A5264	1
Hebrew (models)	41A5265	1
Hungarian (models)	41A5266	1
Iceland (models)	41A5267	1
Italian 141 (models)	41A5268	1
Japanese (models)	41A5269	1
Korean (models)	41A5270	1
LA Spanish (models)	41A5271	1
Norwegian (models)	41A5272	1
Polish (models)	41A5273	1
Portuguese (models)	41A5274	1
Romanian 096 (models)	41A5275	1
Romanian 446 (models)	41A5276	1
Russian/Cyrillic (models)	41A5277	1
Serbian/Cyrillic (models)	41A5278	1
Slovak (models)	41A5279	1
Spanish (models)	41A5280	1
Swedish/Finn (models)	41A5281	1
Swiss (models)	41A5282	1
Thailand (models)	41A5283	1
Turkish 440 (models)	41A5284	1
Turkish 179 (models)	41A5285	1
UK English (models)	41A5286	1
US Euro (models)	41A5287	1
Slovenian (models)	41A5288	1

9174 mice	FRU#	CRU Tier
Optical Wheel Mouse (400DPI, USB) (models A1U A1F A1S A1P A1G A1M A1A A1Q A1T A1C A1B A1H A1V A1K A1J A2U A2F A2S A2P A2L A2D A2Y A2G A2M A2A A2Q A2T A2C A2B A2H A2V A2K A2R A2E A2J)	41U3013	1
Optical Wheel Mouse (400DPI, USB) (models A1U A1F A1S A1P A1G A1M A1A A1Q A1T A1C A1B A1H A1V A1K A1J A2U A2F A2S A2P A2L A2D A2Y A2G A2M A2A A2Q A2T A2C A2B A2H A2V A2K A2R A2E A2J)	41U3030	1

9174 Adapters and miscellaneous FRUs	FRU#	CRU
IEEE 1394 Firewire Adapter (ATX) (models CTO)	41D2781	2
PCI Modem Card (Soft) (models)	29R9729	2
L1 IEEE 1394 PCI Adapter (models)	41D2781	2
Dongle Cable - DMS59 to dual VGA (included in Denver L1) (models)	42Y8181	1

9174 Adapters and miscellaneous FRUs	FRU#	CRU
Dongle DMS Dule DMS-59 to dual DVI cable (models)	41X6398	1
Dongle DMS Dule DMS-59 to single VGA and single DVI cable (models)	42Y8183	1
Nvidia GeForce 7300LE 128MB 64bit LP / ATX with DMS59 (models)	42Y8165	2
ATI X1300LE 256M 64bit LP / ATX with DMS59 (models)	42Y8162	2
Speakers (2-piece) Lenovo Logo (models)	41A5331	2
BTL external speaker (models)	41A5334	1
Speaker Power brick - US, Canada, LA low voltage, ASEAN (models A1U A1A A2U A2A)	89P8571	1
Speaker Power brick - Hong Kong, Malaysia, Singapore, UK, Brunei (models A1B A1H A2B A2H)	89P8573	1
Speaker Power brick - LA high voltage (non-APU) (models A2S)	89P8575	1
Speaker Power brick - China, Thailand (models A1C A1T A2C A2T)	89P8581	1
Speaker Power brick - Japan (models A1J)	89P8577	1
Speaker Power brick - Brazil (models)	89P8583	1
Speaker Power brick - Argentina (models)	41A4901	1
Speaker Power brick - ANZ (models A1M A2M)	89P8579	1
Speaker Brick - Korea (models A1K A2K)	41A4903	1
Speaker Brick - Taiwan (models A1V A2V)	41A4905	1
Speaker Power brick - India, South Africa (models A1Q A2Q)	89P8585	1
ATI RV610 256M LP, PCIe x16, DMS59/S-Video (models)	46R4160	2
ATI RV610 128M ATX, PCIe x16, DMS59/S-Video (models)	46R4159	2
ATI HD 2600XT(RV630XT) 512MB 128BIT ATX, PCIe x16, Dual DVI-I/S-Video (models CTO)	43C0261	2
New Casper DVI-D card,full height, support HDCP (models A2U A2F A2S A2P A2L A2D A2Y A2G A2M A2A A2Q A2T A2C A2B A2H A2V A2K A2R A2E A2J)	43C0258	2
DVI-VGA Dongle (models CTO)	45C7816	1
USB2.0 MEMORY CARDREADER,6X2,ROHS (models CTO)	45R1883	2
ODD/FDD/Cardreader Retainers (all models)	43N9351	2
20-in-1 Card Reader (all models)	45R8139	2
Temp Sense Cable (165 mm) (all models)	43N9079	2

9174 Power Cords	FRU#	CRU Tier
Line Cord - US (models A1U A1F A1S A1A A1T A2U A2F A2S A2A A2T)	41R3184	1
Line Cord - US (models A1U A1F A1S A1A A1T A2U A2F A2S A2A A2T)	41R3185	1
Line Cord - China (models A1C A2C )	41R3256	1
Line Cord - China (models A1C A2C )	41R3257	1
Line Cord - Brazil (models A1P A2P )	41R3270	1
Line Cord - Brazil (models A1P A2P )	41R3271	1
Line Cord - LA High Volt (APU) (models A2S)	41R3176	1
Line Cord - LA High Volt (APU) (models A2S)	41R3177	1
Line Cord - Korea (models A1K A2K)	41R3260	1
Line Cord - Korea (models A1K A2K)	41R3261	1
Line Cord - UK, Ireland, Singapore, Malaysia, Brunei (models A1G A1A A2G A2A)	41R3224	1



9174 Power Cords	FRU#	CRU Tier
Line Cord - UK, Ireland, Singapore, Malaysia, Brunei (models A1G A1A A2G A2A)	41R3225	1
Line Cord - Taiwan (models A1V A2V)	41R3278	1
Line Cord - Taiwan (models A1V A2V)	41R3279	1
Line Cord - Italy (models A1S A1G A2S A2G)	41R3232	1
Line Cord - Italy (models A1S A1G A2S A2G)	41R3233	1
Line Cord - Indonesia, Laos, Cambodia, and Vietnam (models A1A A2A)	41R3208	1
Line Cord - Indonesia, Laos, Cambodia, and Vietnam (models A1A A2A)	41R3209	1
Line Cord - Denmark (models A1G A2G)	41R3212	1
Line Cord - Denmark (models A1G A2G)	41R3213	1
Line Cord - Switzerland (models A1G A2G)	41R3228	1
Line Cord - Switzerland (models A1G A2G)	41R3229	1
Line Cord - Israel (models A1G A2G)	41R3236	1
Line Cord - Israel (models A1G A2G)	41R3237	1
Line Cord - South Africa (models A1G A1M A1A A2G A2M A2A)	41R3220	1
Line Cord - South Africa (models A1G A1M A1A A2G A2M A2A)	41R3221	1
Line Cord - India (models A1Q A2Q)	41R3341	1
Line Cord - India (models A1Q A2Q)	41R3175	1
Line Cord - Japan (models A1J A2J )	41R3248	1
Line Cord - Japan (models A1J A2J )	41R3249	1
Line Cord - ANZ (models A1M A2M)	41R3196	1
Line Cord - ANZ (models A1M A2M)	41R3197	1
Line Cord - Hong Kong (models A1B A1H A2B A2H)	41R3224	1
Line Cord - Hong Kong (models A1B A1H A2B A2H)	41R3225	1

9174 Windows XP Home Recovery CDs	FRU#	CRU
English (models CTO)	45R6005	1
French (models CTO)	45R6006	1
German (models CTO)	45R6007	1
Spanish (models CTO)	45R6008	1
Brazil (models CTO)	45R6009	1
Italian (models)	45R6010	1
Japanese (models)	45R6011	1
Norwegian (models CTO)	45R6012	1
Swedish (models CTO)	45R6013	1
Danish (models CTO)	45R6014	1
Dutch (models CTO)	45R6015	1
Czech (models CTO)	45R6016	1
Finnish (models CTO)	45R6017	1
Hebrew (models CTO)	45R6018	1
Polish (models CTO)	45R6019	1
Arabic (models CTO)	45R6020	1

9174 Windows XP Home Recovery CDs	FRU#	CRU
Russian (models CTO)	45R6021	1
Turkish (models CTO)	45R6022	1
Hungarian (models CTO)	45R6023	1
Greek (models CTO)	45R6024	1
Simplified Chinese (models CTO)	45R6025	1
Taiwan (models CTO)	45R6026	1
HongKong (models CTO)	45R6027	1
Korea (models CTO)	45R6028	1
Russian English (models CTO)	45R6029	1
Portuguese (models CTO)	45R6030	1

9174 Windows XP Pro Recovery CDs	FRU#	CRU
English (models)	45R5979	1
French (models)	45R5980	1
German (models)	45R5981	1
Spanish (models)	45R5982	1
Brazil (models)	45R5983	1
Italian (models)	45R5984	1
Japanese (models)	45R5985	1
Norwegian (models)	45R5986	1
Swedish (models)	45R5987	1
Danish (models)	45R5988	1
Dutch (models)	45R5989	1
Czech (models)	45R5990	1
Finnish (models)	45R5991	1
Hebrew (models)	45R5992	1
Polish (models)	45R5993	1
Arabic (models)	45R5994	1
Russian (models)	45R5995	1
Turkish (models)	45R5996	1
Hungarian (models)	45R5997	1
Greek (models)	45R5998	1
Simplified Chinese (models)	45R5999	1
Taiwan (models)	45R6000	1
HongKong (models)	45R6001	1
Korea (models)	45R6002	1
Russian English (models)	45R6003	1
Portuguese (models)	45R6004	1
MUL 1 - EN, NL, FR, GR, IT (models)	45R5977	1
MUL 2 - EN, DK, FI, NO, SV (models)	45R5978	1

9174 Vista Home Basic 32 Recovery DVDs	FRU#	CRU
English (models)	46R7098	1
Russian English (models CTO)	46R7099	1
French (models CTO)	46R7100	1
German (models CTO)	46R7101	1
Spanish (models CTO)	46R7102	1
Brazilian (models CTO)	46R7103	1
Italian (models CTO)	46R7104	1
Japanese (models)	46R7105	1
Norwegian (models CTO)	46R7106	1
Swedish (models CTO)	46R1086	1
Danish (models CTO)	46R7107	1
Dutch (models CTO)	46R1088	1
Czech (models CTO)	46R1089	1
Finnish (models CTO)	46R1090	1
Polish (models CTO)	46R1091	1
Russian (models CTO)	46R7108	1
Turkish (models CTO)	46R1093	1
Hungarian (models CTO)	46R1094	1
Greek (models CTO)	46R1095	1
Simplified Chinese (models CTO)	46R7109	1
Taiwan (models CTO)	46R7110	1
HongKong (models CTO)	46R7111	1
Korea (models)	46R1099	1
Slovenian (models CTO)	46R1100	1
Hebrew (models CTO)	46R1101	1
Portuguese (models CTO)	46R1102	1
Arabic Localized (models CTO)	46R1103	1
Slovakia (models CTO)	46R1104	1

9174 Vista Business 32 Recovery DVDs	FRU#	CRU
English (models A1U A1M A1A A1Q A1H A2U A2M A2A A2Q )	46R7070	1
Russian English (models A1G A2G)	46R7071	1
French (models A1F A2F)	46R7072	1
German (models A1G A2G)	46R7073	1
Spanish (models A1G A2G)	46R7074	1
Brazilian (models A1P A2P)	46R7075	1
Italian (models A1G A2G)	46R7076	1
Japanese (models A1J A2J)	46R7077	1
Norwegian (models A1G A2G)	46R7078	1
Swedish (models A1G A2G)	46R1028	1
Danish (models A1G A2G )	46R7079	1

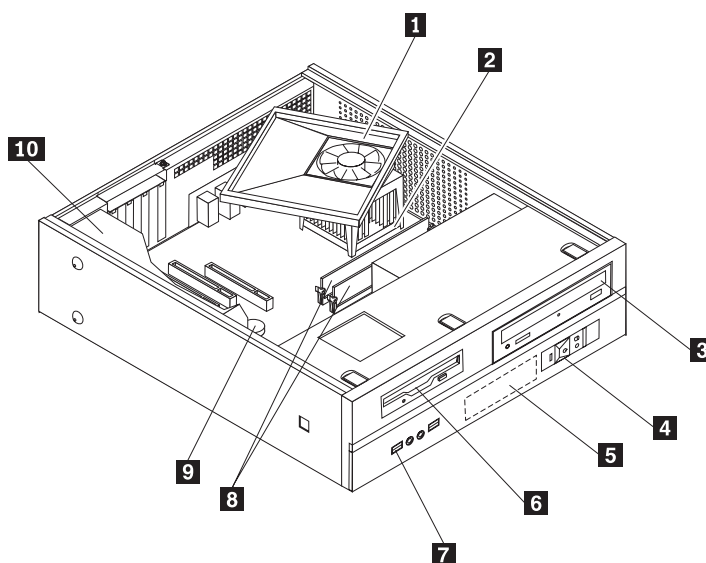
9174 Vista Business 32 Recovery DVDs	FRU#	CRU
Dutch (models A1G A2G)	46R1030	1
Czech (models A1G A2G)	46R1031	1
Finnish (models A1G A2G)	46R1032	1
Polish (models A1G A2G)	46R1033	1
Russian (models A1G A2G)	46R7080	1
Turkish (models A1G A2G)	46R1035	1
Hungarian (models A1G A2G)	46R1036	1
Greek (models A1G A2G)	46R1037	1
Simplified Chinese (models A1C A2C)	46R7081	1
Traditional Chinese (models A1V A2V A1B A2B)	46R7082	1
Traditional Chinese (models A1V A2V A1B A2B)	46R7083	1
Korean (models A1K A2K)	46R1041	1
Slovenian (models A1G A2G)	46R1042	1
Romanian (models A1G A2G )	46R1043	1
Portuguese (models A1G A2G)	46R1044	1
Sebian-Latin (models)	46R1045	1
Slovakian (models A1G A2G)	46R1046	1
Arabic Localized (models)	46R1047	1
Hebrew (models A1G A2G)	46R1048	1

9174 Vista Ultimate 32 Recovery DVDs	FRU#	CRU
English (models)	45R5949	1
Russian English (models)	45R5950	1
French (models)	45R5951	1
German (models)	45R5952	1
Spanish (models)	45R5953	1
Brazilian (models)	45R5954	1
Italian (models)	45R5955	1
Japanese (models)	45R5956	1
Norwegian (models)	45R5957	1
Swedish (models)	45R5958	1
Danish (models)	45R5959	1
Dutch (models)	45R5960	1
Czech (models)	45R5961	1
Finnish (models)	45R5962	1
Polish (models)	45R5963	1
Russian (models)	45R5964	1
Turkish (models)	45R5965	1
Hungarian (models)	45R5966	1
Greek (models)	45R5967	1
Simplified Chinese (models)	45R5968	1

<b>9174 Vista Ultimate 32 Recovery DVDs</b>	<b>FRU#</b>	<b>CRU</b>
Traditional Chinese (models)	45R5969	1
Traditional Chinese (models)	45R5970	1
Korean (models)	45R5971	1
Slovenian (models)	45R5972	1
Hebrew (models)	45R5973	1
Portuguese (models)	45R5974	1
Slovakian (models)	45R5975	1
Arabic Localized (models)	45R5976	1

<b>9174 XP Pro Recovery DVDs</b>	<b>FRU#</b>	<b>CRU</b>
English (models)	45R8811	1
French (models)	45R8812	1
German (models)	45R8813	1
Spanish (models)	45R8814	1
Brazil (models)	45R8815	1
Italian (models)	45R8816	1
Japanese (models)	45R8817	1
Norwegian (models)	45R8818	1
Swedish (models)	45R8819	1
Danish (models)	45R8820	1
Dutch (models)	45R8821	1
Czech (models)	45R8822	1
Finnish (models)	45R8823	1
Hebrew (models)	45R8824	1
Polish (models)	45R8825	1
Arabic (models)	45R8826	1
Russian (models)	45R8827	1
Turkish (models)	45R8828	1
Hungarian (models)	45R8829	1
Greek (models)	45R8830	1
Simplified Chinese (models)	45R8831	1
Taiwan (models)	45R8832	1
HongKong (models)	45R8833	1
Korea (models)	45R8834	1
Russian English (models)	45R8835	1
Portuguese (models)	45R8836	1
Slovenian (models)	45R8837	1

## Machine Type 9193



Item #	9193 FRUs	FRU#	CRU
1	Heat Sink/RM Kit Intel (all models)	41R6022	2
2	Microprocessor, Core 2 Duo E6550 Processor 2.33GHz 1333MHz FSB 4M L2 (models A1U A1S A1P A1G A1M A1A A1Q A1T A1C A1B A1H A1V A1K A1J)	43C3833	N
2	Microprocessor, Core 2 Duo E2220 Processor 2.4GHz 800MHz FSB 1M L2 65W (models)	45C1774	N
2	Microprocessor, Core 2 Duo E4700 Processor 2.6GHz 800MHz 2M 65W (models)	45R5786	N
2	Microprocessor, Core 2 Duo E6540 Processor 2.33GHz 1333MHz FSB 4M L2 (models CTO)	43C6307	N
2	Microprocessor, Q6600 KENTSFIELD G-0 8MB 4c LGA 2.4GHZ 1066FSB (models CTO)	43C1695	N
2	Microprocessor, Q6700 KENTSFIELD G-0 8MB 4c LGA 2.66GHZ 1066FSB (models CTO)	43C6309	N
2	Microprocessor, Core 2 Duo E4600 Processor 2.4GHz 800MHz FSB 2M L2 (models)	45C5282	N
2	Microprocessor, Core 2 Duo E2200 Processor 2.2GHz 800MHz FSB 1M L2 (models)	45C5349	N
2	Microprocessor, Core 2 Duo E8500 Processor 3.16GHz 1333MHz FSB 6M L2 (models CTO)	45C7735	N
2	Microprocessor, Core 2 Duo E8400 Processor 3.0GHz 1333MHz FSB 6M L2 (models)	45C7736	N
2	Microprocessor, Core 2 Duo E8300 Processor 2.83GHz 1333MHz FSB 6M L2 (models)	45C7737	N
2	Microprocessor, Core 2 Duo E8200 Processor 2.66GHz 1333MHz FSB 6M L2 (models)	45C7738	N
2	Microprocessor, Core2 Duo E8190 Processor 1333/2600MHz 6M L2 65W Non vPro (models)	45R2568	N
2	Microprocessor, Core 2 Duo E7200 Processor 2.53GHz 1066MHz 3M L2 65W (models)	45R8337	N
2	Microprocessor, Dual Core E1400 Processor 2.0GHz 800MHz 512K L2 65W (models)	45R8339	N
2	Microprocessor, Dual Core E1200 Processor 1.6GHz 800MHz 512K (models)	45R8341	N

Item #	9193 FRUs	FRU#	CRU
2	Microprocessor, Wolfdale Core 2 Duo E7300 Processor 2.66GHz 1066MHz FSB 3M L2 65W M0 Stepping (models)	46R1622	N
2	Microprocessor, Dual Core E1600 Processor 2.4GHz 800MHz 512K L2 65W M0 Stepping Level (models)	46R1655	N
2	Microprocessor, Core 2 Duo E2180 Processor 2.0GHz 800MHz FSB 1M L2 (models)	45C1773	N
3	DVD-ROM/CD-RW Combo Drive - 48x/32x/48x/16x - SATA vista and XP (models A1U A1S A1P A1G A1M A1A A1Q A1T A1C A1B A1H A1V A1K A1J)	42Y9353	2
4	Front Power/LED PC, bracket, and cable (all models)	41N8213	2
5	Hard disk drive, 160GB (7200RPM), Serial ATA (models A1U A1S A1P A1G A1M A1A A1Q A1T A1C A1B A1H A1V A1K A1J)	40Y9035	2
6	Diskette drive, 3,5", 1.44MB, 2-mode, (w/bezel) (models)	40Y9105	2
6	Diskette drive, 3,5", 1.44MB, 2-mode, (w/bezel) (models)	40Y9107	2
6	Diskette drive, 3,5", 1.44MB, 2-mode, (w/bezel) (models)	40Y9113	2
7	Front USB/Audio with bracket (all models)	41N8212	2
8	Memory module, 1 GB PC2-5300 (667MHz) DDR2 SDRAM (models A1U A1S A1P A1G A1M A1A A1Q A1T A1C A1B A1H A1V A1K A1J)	41X4256	2
9	System board, Saturn non AMT(GA) support 45nm processor (models)	45R5312	N
9	System board, Saturn AMT(GA) support 45nm processor (models A1G A1M A1A A1Q A1T A1C A1B A1H A1V A1J)	45R5313	N
10	280 Watt DT Power Supply -Standard, Robust, JP (models A1U A1S A1P A1G A1M A1A A1Q A1T A1C A1B A1H A1V A1K A1J )	41A9705	2

The FRUs listed in the following tables are not illustrated.

9193 FRUs	FRU#	CRU
Second Serial Port Cable, 250mm (all models)	42Y8008	2
Cable, diskette drive (all models)	41A7147	2
Hard disk drive fan and bracket asm (all models)	41R6325	2
Fan duct assembly (all models)	41R4808	2
Shield, EMC, blank 5.25 in. drive bay (all models)	41N8271	2
Shield, EMC, blank diskette drive bay (all models)	41N8273	2
Foot stand (all models)	41R4813	1
Rear USB 2Ports II LP (R), low profile I/O, 200mm, Rohs (all models)	42Y8006	2
System board shield (all models)	41R6108	N
Cover (all models)	41N8204	2
Mechanical shell kit (all models)	41R6223	N
Miscellaneous hardware kit (all models)	41N8209	2
Hard disk drive bracket assembly (plastic and grommets) (all models)	41N8210	2
Speaker cable assembly, 600 mm cable length (all models)	41N8217	2
Intrusion switch assembly (all models)	41R6208	2
Bezel kit, without IBM logo (all models)	41R6238	2
20-in-1 Card Reader (all models)	45R8139	2
Temp Sense Cable (165 mm) (all models)	43N9079	2

9193 FRUs	FRU#	CRU
Intel 65W/95W Heatsink Kit (all models)	41R6429	2

9193 Keyboards (USB Preferred - without hub)	FRU#	CRU Tier
US English (models A1U A1G A1M A1A A1Q A1H )	41A5289	1
Arabic (models A1G)	41A5290	1
Arabic/French (models A1G)	41A5291	1
Belgian/French (models A1G)	41A5292	1
Belgian/UK (models A1G)	41A5293	1
Brazilian (models A1P)	41A5294	1
Bulgarian (models A1G)	41A5295	1
Chinese/US (models A1V)	41A5296	1
Czech (models A1G)	41A5297	1
Danish (models A1G)	41A5298	1
Dutch (models A1G)	41A5299	1
French (models A1G)	41A5300	1
French Canadian 445 (models A1F A2F)	41A5301	1
French Canadian 58 (models A1F A2F)	41A5302	1
German (models A1G)	41A5303	1
Greek (models A1G)	41A5304	1
Greek/US (models A1G)	41A5305	1
Hebrew (models A1G)	41A5306	1
Hungarian (models A1G)	41A5307	1
Iceland (models A1G)	41A5308	1
Japanese (models A1J)	41A5310	1
Korean (models A1K)	41A5311	1
LA Spanish (models A1S A1P)	41A5312	1
Italian 141 (models A1G)	41A5309	1
Norwegian (models A1G)	41A5313	1
Polish (models A1G)	41A5314	1
Portuguese (models A1G)	41A5315	1
Romanian 096 (models A1G)	41A5317	1
Romanian 446 (models A1G)	41A5316	1
Russian/Cyrillic (models A1G)	41A5318	1
Serbian/Cyrillic (models A1G)	41A5319	1
Slovak (models A1G)	41A5320	1
Spanish (models A1G)	41A5321	1
Swedish/Finn (models A1G)	41A5322	1
Swiss (models A1G)	41A5323	1
Thailand (models A1T)	41A5324	1
Turkish 440 (models A1G)	41A5325	1
Turkish 179 (models A1G)	41A5326	1



<b>9193 Keyboards (USB Preferred - without hub)</b>	<b>FRU#</b>	<b>CRU Tier</b>
UK English (models A1G)	41A5327	1
US Euro (models A1G)	41A5328	1
Slovenian (models A1G)	41A5329	1

<b>9193 Keyboards (Fingerprint Reader USB)</b>	<b>FRU#</b>	<b>CRU Tier</b>
US English (models)	41A5248	1
Arabic (models)	41A5249	1
Arabic/French (models)	41A5250	1
Belgian/French (models)	41A5251	1
Belgian/UK (models)	41A5252	1
Brazil/Portuguese (models)	41A5253	1
Bulgarian (models)	41A5254	1
Chinese (models)	41A5255	1
Czech (models)	41A5256	1
Danish (models)	41A5257	1
Dutch (models)	41A5258	1
French (models)	41A5259	1
French Canadian 445 (models)	41A5260	1
French Canadian 58 (models)	41A5261	1
German (models)	41A5262	1
Greek (models)	41A5263	1
Greek/US (models)	41A5264	1
Hebrew (models)	41A5265	1
Hungarian (models)	41A5266	1
Iceland (models)	41A5267	1
Italian 141 (models)	41A5268	1
Japanese (models)	41A5269	1
Korean (models)	41A5270	1
LA Spanish (models)	41A5271	1
Norwegian (models)	41A5272	1
Polish (models)	41A5273	1
Portuguese (models)	41A5274	1
Romanian 096 (models)	41A5275	1
Romanian 446 (models)	41A5276	1
Russian/Cyrillic (models)	41A5277	1
Serbian/Cyrillic (models)	41A5278	1
Slovak (models)	41A5279	1
Spanish (models)	41A5280	1
Swedish/Finn (models)	41A5281	1
Swiss (models)	41A5282	1
Thailand (models)	41A5283	1

9193 Keyboards (Fingerprint Reader USB)	FRU#	CRU Tier
Turkish 440 (models)	41A5284	1
Turkish 179 (models)	41A5285	1
UK English (models)	41A5286	1
US Euro (models)	41A5287	1
Slovenian (models)	41A5288	1

9193 mice	FRU#	CRU
Optical Wheel Mouse (400DPI, USB) (models A1U A1S A1P A1G A1M A1A A1Q A1T A1C A1B A1H A1V A1K A1J)	41U3013	1
Optical Wheel Mouse (400DPI, USB) models A1U A1S A1P A1G A1M A1A A1Q A1T A1C A1B A1H A1V A1K A1J)	41U3030	1

9193 Adapters and miscellaneous FRUs	FRU#	CRU
IEEE 1394 Firewire Adapter (LP) (models CTO)	41D2781	2
PCI Modem Card (Soft) (models)	29R9729	2
L1 IEEE 1394 PCI Adapter (models)	41D2781	2
Dongle Cable - DMS59 to dual VGA (included in Denver L1) (models)	42Y8181	1
Dongle DMS Dule DMS-59 to dual DVI cable (models)	41X6398	1
Dongle DMS Dule DMS-59 to single VGA and single DVI cable (models)	42Y8183	1
Nvidia GeForce 7300LE 128MB 64bit LP / ATX with DMS59 (models)	42Y8165	2
ATI X1300LE 256M 64bit LP / ATX with DMS59 (models)	42Y8162	2
Speakers (2-piece) Lenovo Logo (models)	41A5331	2
BTL external speaker (models)	41A5334	1
Speaker Power brick - US, Canada, LA low voltage, ASEAN (models A1U A1S A1A)	89P8571	1
Speaker Power brick - Hong Kong, Malaysia, Singapore, UK, Brunei (models)	89P8573	1
Speaker Power brick - LA high voltage (non-APU) (models)	89P8575	1
Speaker Power brick - China, Thailand (models A1C A1T)	89P8581	1
Speaker Power brick - Japan (models A1J)	89P8577	1
Speaker Power brick - Brazil (models)	89P8583	1
Speaker Power brick - Argentina (models)	41A4901	1
Speaker Power brick - ANZ (models A1M)	89P8579	1
Speaker Brick - Korea (models A1K)	41A4903	1
Speaker Brick - Taiwan (models A1T)	41A4905	1
Speaker Power brick - India, South Africa (models A1Q)	89P8585	1
ATI RV610 256M LP, PCIe x16, DMS59/S-Video (models)	64Y3999	2
ATI RV610 128M ATX, PCIe x16, DMS59/S-Video (models)	64Y3997	2
New Casper DVI-D card, low profile, support HDCP (models)	43C0258	2
USB2.0 MEMORY CARDREADER,6X2,ROHS, Slim (models CTO)	45R1883	2

9193 Power Cords	FRU#	CRU Tier
Line Cord - US (models A1A A1T)	41R3184	1

9193 Power Cords	FRU#	CRU Tier
Line Cord - US (models A1A A1T)	41R3185	1
Line Cord - China (models A1C)	41R3256	1
Line Cord - China (models A1C)	41R3257	1
Line Cord - Brazil (models)	41R3270	1
Line Cord - Brazil (models)	41R3271	1
Line Cord - LA High Volt (APU) (models)	41R3176	1
Line Cord - LA High Volt (APU) (models)	41R3177	1
Line Cord - Korea (models)	41R3260	1
Line Cord - Korea (models)	41R3261	1
Line Cord - UK, Ireland, Singapore, Malaysia, Brunei (models A1G A1A)	41R3224	1
Line Cord - UK, Ireland, Singapore, Malaysia, Brunei (models A1G A1A)	41R3225	1
Line Cord - Taiwan (models A1V)	41R3278	1
Line Cord - Taiwan (models A1V)	41R3279	1
Line Cord - Italy (models A1G)	41R3232	1
Line Cord - Italy (models A1G)	41R3233	1
Line Cord - Indonesia, Laos, Cambodia, and Vietnam (models A1A)	41R3208	1
Line Cord - Indonesia, Laos, Cambodia, and Vietnam (models A1A)	41R3209	1
Line Cord - Denmark (models A1G)	41R3212	1
Line Cord - Denmark (models A1G)	41R3213	1
Line Cord - Switzerland (models A1G)	41R3228	1
Line Cord - Switzerland (models A1G)	41R3229	1
Line Cord - Israel (models A1G)	41R3236	1
Line Cord - Israel (models A1G)	41R3237	1
Line Cord - South Africa (models A1G A1M A1A)	41R3220	1
Line Cord - South Africa (models)	41R3221	1
Line Cord - India (models A1Q)	41R3341	1
Line Cord - India (models A1Q)	41R3175	1
Line Cord - Japan (models A1J)	41R3248	1
Line Cord - Japan (models A1J)	41R3249	1
Line Cord - ANZ (models A1M)	41R3196	1
Line Cord - ANZ (models A1M)	41R3197	1
Line Cord - Hong Kong (models A1B A1H)	41R3224	1
Line Cord - Hong Kong (models A1B A1H)	41R3225	1

9193 Windows XP Home Recovery CDs	FRU#	CRU
English (models CTO)	45R6005	1
French (models CTO)	45R6006	1
German (models CTO)	45R6007	1
Spanish (models CTO)	45R6008	1
Brazil (models CTO)	45R6009	1
Italian (models)	45R6010	1

9193 Windows XP Home Recovery CDs	FRU#	CRU
Japanese (models)	45R6011	1
Norwegian (models CTO)	45R6012	1
Swedish (models CTO)	45R6013	1
Danish (models CTO)	45R6014	1
Dutch (models CTO)	45R6015	1
Czech (models CTO)	45R6016	1
Finnish (models CTO)	45R6017	1
Hebrew (models CTO)	45R6018	1
Polish (models CTO)	45R6019	1
Arabic (models CTO)	45R6020	1
Russian (models CTO)	45R6021	1
Turkish (models CTO)	45R6022	1
Hungarian (models CTO)	45R6023	1
Greek (models CTO)	45R6024	1
Simplified Chinese (models CTO)	45R6025	1
Taiwan (models CTO)	45R6026	1
HongKong (models CTO)	45R6027	1
Korea (models CTO)	45R6028	1
Russian English (models CTO)	45R6029	1
Portuguese (models CTO)	45R6030	1

9193 Windows XP Pro Recovery CDs	FRU#	CRU
English (models)	45R5979	1
French (models)	45R5980	1
German (models)	45R5981	1
Spanish (models)	45R5982	1
Brazil (models)	45R5983	1
Italian (models)	45R5984	1
Japanese (models)	45R5985	1
Norwegian (models)	45R5986	1
Swedish (models)	45R5987	1
Danish (models)	45R5988	1
Dutch (models)	45R5989	1
Czech (models)	45R5990	1
Finnish (models)	45R5991	1
Hebrew (models)	45R5992	1
Polish (models)	45R5993	1
Arabic (models)	45R5994	1
Russian (models)	45R5995	1
Turkish (models)	45R5996	1
Hungarian (models)	45R5997	1

9193 Windows XP Pro Recovery CDs	FRU#	CRU
Greek (models)	45R5998	1
Simplified Chinese (models)	45R5999	1
Taiwan (models)	45R6000	1
HongKong (models)	45R6001	1
Korea (models)	45R6002	1
Russian English (models)	45R6003	1
Portuguese (models)	45R6004	1
MUL 1 - EN, NL, FR, GR, IT (models)	45R5977	1
MUL 2 - EN, DK, FI, NO, SV (models)	45R5978	1

9193 Vista Home Basic 32 Recovery DVDs	FRU#	CRU
English (models)	46R7098	1
Russian English (models CTO)	46R7099	1
French (models CTO)	46R7100	1
German (models CTO)	46R7101	1
Spanish (models CTO)	46R7102	1
Brazilian (models CTO)	46R7103	1
Italian (models CTO)	46R7104	1
Japanese (models)	46R7105	1
Norwegian (models CTO)	46R7106	1
Swedish (models CTO)	46R1086	1
Danish (models CTO)	46R7107	1
Dutch (models CTO)	46R1088	1
Czech (models CTO)	46R1089	1
Finnish (models CTO)	46R1090	1
Polish (models CTO)	46R1091	1
Russian (models CTO)	46R7108	1
Turkish (models CTO)	46R1093	1
Hungarian (models CTO)	46R1094	1
Greek (models CTO)	46R1095	1
Simplified Chinese (models CTO)	46R7109	1
Taiwan (models CTO)	46R7110	1
HongKong (models CTO)	46R7111	1
Korea (models)	46R1099	1
Slovenian (models CTO)	46R1100	1
Hebrew (models CTO)	46R1101	1
Portuguese (models CTO)	46R1102	1
Arabic Localized (models CTO)	46R1103	1
Slovakia (models CTO)	46R1104	1

<b>9193 Vista Business 32 Recovery DVDs</b>	<b>FRU#</b>	<b>CRU</b>
English (models A1G A1M A1A A1Q A1H)	46R7070	1
Russian English (models A1G)	46R7071	1
French (models A1G)	46R7072	1
German (models A1G)	46R7073	1
Spanish (models A1G)	46R7074	1
Brazilian (models)	46R7075	1
Italian (models A1G)	46R7076	1
Japanese (models A1J)	46R7077	1
Norwegian (models A1G)	46R7078	1
Swedish (models A1G)	46R1028	1
Danish (models A1G)	46R7079	1
Dutch (models A1G)	46R1030	1
Czech (models A1G)	46R1031	1
Finnish (models A1G)	46R1032	1
Polish (models A1G)	46R1033	1
Russian (models A1G)	46R7080	1
Turkish (models A1G)	46R1035	1
Hungarian (models A1G)	46R1036	1
Greek (models A1G)	46R1037	1
Simplified Chinese (models A1C)	46R7081	1
Traditional Chinese (models A1V)	46R7082	1
Traditional Chinese (models A1B)	46R7083	1
Korean (models)	46R1041	1
Slovenian (models A1G)	46R1042	1
Romanian (models A1G)	46R1043	1
Portuguese (models A1G)	46R1044	1
Sebian-Latin (models)	46R1045	1
Slovakian (models A1G)	46R1046	1
Arabic Localized (models)	46R1047	1
Hebrew (models A1G)	46R1048	1

<b>9193 Vista Ultimate 32 Recovery DVDs</b>	<b>FRU#</b>	<b>CRU</b>
English (models)	45R5949	1
Russian English (models)	45R5950	1
French (models)	45R5951	1
German (models)	45R5952	1
Spanish (models)	45R5953	1
Brazilian (models)	45R5954	1
Italian (models)	45R5955	1
Japanese (models)	45R5956	1
Norwegian (models)	45R5957	1

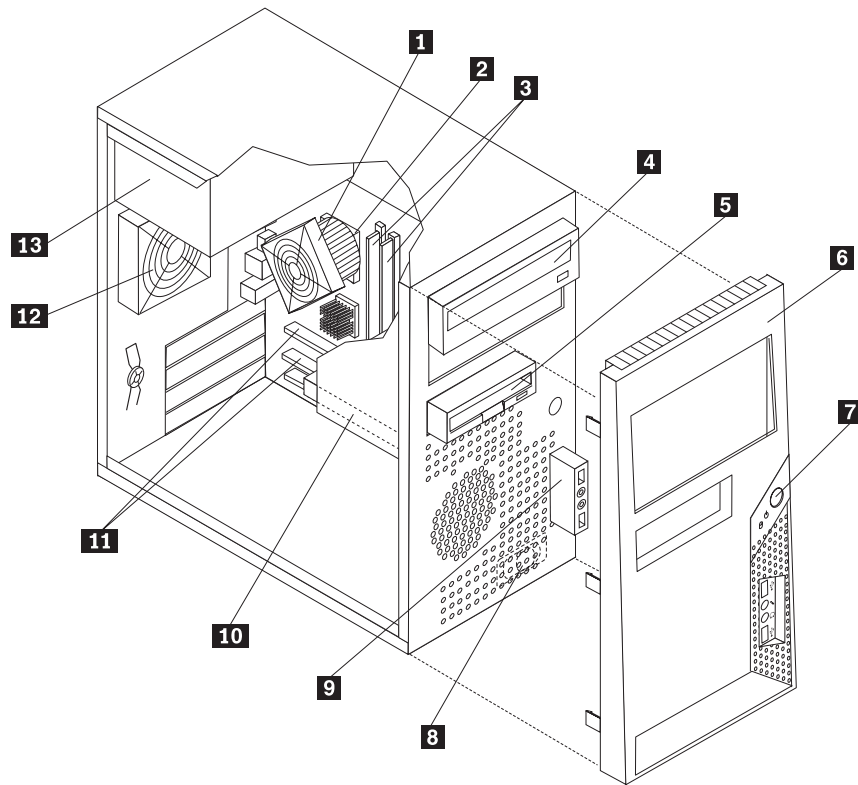
9193 Vista Ultimate 32 Recovery DVDs	FRU#	CRU
Swedish (models)	45R5958	1
Danish (models)	45R5959	1
Dutch (models)	45R5960	1
Czech (models)	45R5961	1
Finnish (models)	45R5962	1
Polish (models)	45R5963	1
Russian (models)	45R5964	1
Turkish (models)	45R5965	1
Hungarian (models)	45R5966	1
Greek (models)	45R5967	1
Simplified Chinese (models)	45R5968	1
Traditional Chinese (models)	45R5969	1
Traditional Chinese (models)	45R5970	1
Korean (models)	45R5971	1
Slovenian (models)	45R5972	1
Hebrew (models)	45R5973	1
Portuguese (models)	45R5974	1
Slovakian (models)	45R5975	1
Arabic Localized (models)	45R5976	1

9193 XP Pro Recovery DVDs	FRU#	CRU
English (models)	45R8811	1
French (models)	45R8812	1
German (models)	45R8813	1
Spanish (models)	45R8814	1
Brazil (models)	45R8815	1
Italian (models)	45R8816	1
Japanese (models)	45R8817	1
Norwegian (models)	45R8818	1
Swedish (models)	45R8819	1
Danish (models)	45R8820	1
Dutch (models)	45R8821	1
Czech (models)	45R8822	1
Finnish (models)	45R8823	1
Hebrew (models)	45R8824	1
Polish (models)	45R8825	1
Arabic (models)	45R8826	1
Russian (models)	45R8827	1
Turkish (models)	45R8828	1
Hungarian (models)	45R8829	1
Greek (models)	45R8830	1

9193 XP Pro Recovery DVDs	FRU#	CRU
Simplified Chinese (models)	45R8831	1
Taiwan (models)	45R8832	1
HongKong (models)	45R8833	1
Korea (models)	45R8834	1
Russian English (models)	45R8835	1
Portuguese (models)	45R8836	1
Slovenian (models)	45R8837	1



# Machine Type 9194



Item #	9194 FRUs	FRU#	CRU Tier
1	Intel 65W/95w heatsink (all models)	43N9309	2
2	Microprocessor, Core 2 Duo E6550 Processor 2.33GHz 1333MHz FSB 4M L2 (models A1U A1S A1P A1G A1M A1A A1Q A1T A1C A1B A1H A1V A1K A1J)	43C3833	N
2	Microprocessor, Core 2 Duo E2220 Processor 2.4GHz 800MHz FSB 1M L2 65W (models)	45C1774	N
2	Microprocessor, Core 2 Duo E4700 Processor 2.6GHz 800MHz 2M 65W (models)	45R5786	N
2	Microprocessor, Core 2 Duo E6540 Processor 2.33GHz 1333MHz FSB 4M L2 (models CTO)	43C6307	N
2	Microprocessor, Q6600 KENTSFIELD G-0 8MB 4c LGA 2.4GHZ 1066FSB G-0 Stepping Level, 95W (models CTO)	43C1695	N
2	Microprocessor, Q6700 KENTSFIELD G-0 8MB 4c LGA G-0 Stepping Level, 95W 2.66GHZ 1066FSB (models CTO)	43C6309	N
2	Microprocessor, Core 2 Duo E4600 Processor 2.4GHz 800MHz FSB 2M L2 M-0 Stepping Level, Mainstream/Value FMB (models)	45C5282	N
2	Microprocessor, Core 2 Duo E2200 Processor 2.2GHz 800MHz FSB 1M L2 M-0 Stepping Level, Mainstream/Value FMB (models)	45C5349	N
2	Microprocessor, Core 2 Duo E8500 Processor 3.16GHz 1333MHz FSB 6M L2 65W (models CTO)	45C7735	N
2	Microprocessor, Core 2 Duo E8400 Processor 3.0GHz 1333MHz FSB 6M L2 65W (models)	45C7736	N
2	Microprocessor, Core 2 Duo E8300 Processor 2.83GHz 1333MHz FSB 6M L2 65W (models)	45C7737	N

Item #	9194 FRUs	FRU#	CRU Tier
2	Microprocessor, Core 2 Duo E8200 Processor 2.66GHz 1333MHz FSB 6M L2 65W (models)	45C7738	N
2	Microprocessor, Core2 Duo E8190 Processor 1333/2600MHz 6M L2 65W Non vPro (models)	45R2568	N
2	Microprocessor, Core 2 Duo E7200 Processor 2.53GHz 1066MHz 3M L2 65W (models)	45R8337	N
2	Microprocessor, Dual Core E1400 Processor 2.0GHz 800MHz 512K L2 65W (models)	45R8339	N
2	Microprocessor, Dual Core E1200 Processor 1.6GHz 800MHz 512K (models)	45R8341	N
2	Microprocessor, Q9550 Yorkfield 2.83GHZ 1333FSB 12M 4/4 L2 95W C1 stepping (models)	45C7739	N
2	Microprocessor, Q9450 Yorkfield 2.66GHZ 1333FSB 12M 4/4 L2 95W C1 stepping (models)	45C7740	N
2	Microprocessor, Q9300 Yorkfield 2.50GHZ 1333FSB 6M 4/4 L2 95W M1 stepping (models)	45C7741	N
2	Microprocessor, Wolfdale Core 2 Duo E7300 Processor 2.66GHz 1066MHz FSB 3M L2 65W M0 Stepping (models)	46R1622	N
2	Microprocessor, Dual Core E1600 Processor 2.4GHz 800MHz 512K L2 65W M0 Stepping Level (models)	46R1655	N
2	Microprocessor, Core 2 Duo E2180 Processor 2.0GHz 800MHz FSB 1M L2 (models)	45C1773	N
3	Memory module, 1 GB PC2-5300 (667MHz) DDR2 SDRAM (models A1U A1S A1P A1G A1M A1A A1Q A1T A1C A1B A1H A1V A1K A1J)	41X4256	2
4	DVD-ROM/CD-RW Combo Drive - 48x/32x/48x/16x - SATA vista and XP (models A1U A1S A1P A1G A1M A1A A1Q A1T A1C A1B A1H A1V A1K A1J)	42Y9353	2
4	DVD-RW/CD-RW Rambo 8 - SATA VISTA AND XP (models A1U A1F A1S A1P A1L A1D A1Y A1G A1M A1A A1Q A1T A1C A1B A1H A1V A1R A1E A1J)	43C1042	2
5	Diskette drive, 3,5", 1.44MB, 3Mode,(w/bezel) (models)	40Y9105	2
5	Diskette drive, 3,5", 1.44MB, 3Mode,(w/bezel) (models)	40Y9107	2
6	Bezel assembly (all models)	41N8052	2
7	Power switch/LED assembly (all models)	41N5284	2
8	Speaker assembly, soldered terminals (models)	39P5023	2
9	Front audio/USB assembly (all models)	41N8054	2
10	Hard disk drive, 160GB (7200RPM), Serial ATA (models A1U A1S A1P A1G A1M A1A A1Q A1T A1C A1B A1H A1V A1K A1J)	40Y9035	2
11	System board, Tamdhu II - Saturn non AMT(GA) support 45nm processor (Hard from 45R5312) (models)	46R1842	N
11	System board, Tamdhu II - Saturn AMT(GA) support 45nm processor (Hard from 45R5313) (models A1U A1S A1P A1G A1M A1A A1Q A1T A1C A1B A1H A1V A1K A1J)	46R1843	N
12	Fan, Rear w/ grommets & Grill (all models)	41R6046	2
13	Power supply, 280 Watt ATX Power Supply - Standard, Robust (models A1U A1S A1P A1G A1M A1A A1Q A1T A1C A1B A1H A1V A1K A1J)	41A9684	2
13	Power supply, 310 Watt ATX Power Supply - Standard, Robust, JP (models A1J)	41A9726	2
13	Power supply, 280 Watt ATX Power Supply (80plus) - Standard, Robust, JP (models A1U A1S A1P A1G A1M A1A A1Q A1T A1C A1B A1H A1V A1K A1J)	41A9665	2

The FRUs listed in the following tables are not illustrated.

9194 FRUs	FRU#	CRU Tier
Shield, 5.25 EMC (all models)	41N8080	2
Shield, diskette drive EMC (all models)	41N8078	2
Cable, Diskette drive (RoHs) (all models)	41A7182	2
Kit, Miscellaneous hardware (all models)	41N8055	2
Retainer, Card Reader (all models)	41R2913	2
Optional HDD Bracket Asm, without 4Pin cable (all models)	41R6106	2
Intrusion Switch asm (all models)	41R6116	2
Bezel, without IBM mark (all models)	41R6243	2
Cover, left side (all models)	41N8050	1
Chassis without IBM mark (all models)	41R6241	N
Hard disk drive tray (all models)	41R6291	N
Fan, front (all models)	41R4791	2
SATA cable,457mm,1 latching for device,RoHS (all models)	43N9013	2
SATA cable,250mm,1 latching for device,RoHS (all models)	43N9012	2
Fru-Cable, Temp Sense Cable (460mm) (all models)	41R2509	2
FRU - Blank 5.25" Bezel (all models)	41N8077	2

9194 Keyboards (USB Preferred - without hub)	FRU#	CRU Tier
US English (models A1U A1G A1M A1A A1Q A1H )	41A5289	1
Arabic (models A1G)	41A5290	1
Arabic/French (models A1G)	41A5291	1
Belgian/French (models A1G)	41A5292	1
Belgian/UK (models A1G)	41A5293	1
Brazilian (models A1P)	41A5294	1
Bulgarian (models A1G)	41A5295	1
Chinese/US (models A1V)	41A5296	1
Czech (models A1G)	41A5297	1
Danish (models A1G)	41A5298	1
Dutch (models A1G)	41A5299	1
French (models A1G)	41A5300	1
French Canadian 445 (models)	41A5301	1
French Canadian 58 (models)	41A5302	1
German (models A1G)	41A5303	1
Greek (models A1G)	41A5304	1
Greek/US (models)	41A5305	1
Hebrew (models A1G)	41A5306	1
Hungarian (models A1G)	41A5307	1
Iceland (models A1G)	41A5308	1
Japanese (models A1J)	41A5310	1

<b>9194 Keyboards (USB Preferred - without hub)</b>	<b>FRU#</b>	<b>CRU Tier</b>
Korean (models A1K)	41A5311	1
LA Spanish (models A1S A1P)	41A5312	1
Italian 141 (models A1G)	41A5309	1
Norwegian (models A1G)	41A5313	1
Polish (models A1G)	41A5314	1
Portuguese (models A1G)	41A5315	1
Romanian 096 (models A1G)	41A5317	1
Romanian 446 (models A1G)	41A5316	1
Russian/Cyrillic (models A1G)	41A5318	1
Serbian/Cyrillic (models A1G)	41A5319	1
Slovak (models A1G)	41A5320	1
Spanish (models A1G)	41A5321	1
Swedish/Finn (models A1G)	41A5322	1
Swiss (models A1G)	41A5323	1
Thailand (models A1T)	41A5324	1
Turkish 440 (models A1G)	41A5325	1
Turkish 179 (models A1G)	41A5326	1
UK English (models A1G)	41A5327	1
US Euro (models A1G)	41A5328	1
Slovenian (models A1G)	41A5329	1

<b>9194 mice</b>	<b>FRU#</b>	<b>CRU Tier</b>
Optical Wheel Mouse (400DPI, USB) (models A1U A1S A1P A1G A1M A1A A1Q A1T A1C A1B A1H A1V A1K A1J)	41U3013	1
Optical Wheel Mouse (400DPI, USB) (models A1U A1S A1P A1G A1M A1A A1Q A1T A1C A1B A1H A1V A1K A1J)	41U3030	1

<b>9194 Adapters and miscellaneous FRUs</b>	<b>FRU#</b>	<b>CRU</b>
IEEE 1394 Firewire Adapter (ATX) (models CTO)	41D2781	2
Speaker Power brick - US, Canada, LA low voltage, ASEAN (models A1U A1S A1A)	89P8571	1
Speaker Power brick - LA high voltage (non-APU) (models)	89P8575	1
Speaker Power brick - China, Thailand (models A1C A1T)	89P8581	1
Speaker Power brick - Japan (models A1J)	89P8577	1
Speaker Power brick - ANZ (models A1M)	89P8579	1
Speaker Brick - Korea (models A1K)	41A4903	1
Speaker Power brick - Hong Kong, Malaysia, Singapore, UK, Brunei (models A1H A1G)	89P8573	1
Speaker Brick - Taiwan (models A1T)	41A4905	1
Speaker Power brick - India, South Africa (models A1Q)	89P8585	1
ATI HD 2600XT(RV630XT) 512MB 128BIT ATX, PCIe x16, Dual DVI-I/S-Video (models CTO)	43C0261	2
ATI RV610 256M LP, PCIe x16, DMS59/S-Video (models)	46R4160	2
ATI RV610 128M ATX, PCIe x16, DMS59/S-Video (models)	46R4159	2

9194 Adapters and miscellaneous FRUs	FRU#	CRU
DVI-VGA Dongle (models CTO)	45C7816	1
USB2.0 MEMORY CARDREADER,6X2,ROHS (models CTO)	45R1883	2
ODD/FDD/Cardreader Retainers (all models)	43N9351	2
20-in-1 Card Reader (all models)	45R8139	2
Temp Sense Cable (165 mm) (all models)	43N9079	2

9194 Power Cords	FRU#	CRU Tier
Line Cord - US (models A1U A1S A1D A1A A1T)	41R3184	1
Line Cord - US (models A1U A1S A1D A1A A1T)	41R3185	1
Line Cord - China (models A1C)	41R3256	1
Line Cord - China (models A1C)	41R3257	1
Line Cord - Brazil (models A1P)	41R3270	1
Line Cord - Brazil (models A1P)	41R3271	1
Line Cord - LA High Volt (APU) (models)	41R3176	1
Line Cord - LA High Volt (APU) (models)	41R3177	1
Line Cord - Korea (models A1K)	41R3260	1
Line Cord - Korea (models A1K)	41R3261	1
Line Cord - UK, Ireland, Singapore, Malaysia, Brunei (models A1G A1A)	41R3224	1
Line Cord - UK, Ireland, Singapore, Malaysia, Brunei (models A1G A1A)	41R3225	1
Line Cord - Taiwan (models A1V)	41R3278	1
Line Cord - Taiwan (models A1V)	41R3279	1
Line Cord - Italy (models A1S A1G)	41R3232	1
Line Cord - Italy (models A1S A1G)	41R3233	1
Line Cord - Indonesia, Laos, Cambodia, and Vietnam (models A1A)	41R3208	1
Line Cord - Indonesia, Laos, Cambodia, and Vietnam (models A1A)	41R3209	1
Line Cord - Denmark (models A1G)	41R3212	1
Line Cord - Denmark (models A1G)	41R3213	1
Line Cord - Switzerland (models A1G)	41R3228	1
Line Cord - Switzerland (models A1G)	41R3229	1
Line Cord - Israel (models A1G)	41R3236	1
Line Cord - Israel (models A1G)	41R3237	1
Line Cord - South Africa (models A1M )	41R3220	1
Line Cord - South Africa (models A1M )	41R3221	1
Line Cord - India (models A1Q)	41R3341	1
Line Cord - India (models A1Q)	41R3175	1
Line Cord - Japan (models A1E A1J )	41R3248	1
Line Cord - Japan (models A1E A1J )	41R3249	1
Line Cord - ANZ (models A1M )	41R3196	1
Line Cord - ANZ (models A1M )	41R3197	1
Line Cord - Hong Kong (models A1B A1H )	41R3224	1
Line Cord - Hong Kong (models A1B A1H )	41R3225	1

<b>9194 Windows XP Home Recovery CDs</b>	<b>FRU#</b>	<b>CRU</b>
English (models CTO)	45R6005	1
French (models CTO)	45R6006	1
German (models CTO)	45R6007	1
Spanish (models CTO)	45R6008	1
Brazil (models CTO)	45R6009	1
Italian (models)	45R6010	1
Japanese (models)	45R6011	1
Norwegian (models CTO)	45R6012	1
Swedish (models CTO)	45R6013	1
Danish (models CTO)	45R6014	1
Dutch (models CTO)	45R6015	1
Czech (models CTO)	45R6016	1
Finnish (models CTO)	45R6017	1
Hebrew (models CTO)	45R6018	1
Polish (models CTO)	45R6019	1
Arabic (models CTO)	45R6020	1
Russian (models CTO)	45R6021	1
Turkish (models CTO)	45R6022	1
Hungarian (models CTO)	45R6023	1
Greek (models CTO)	45R6024	1
Simplified Chinese (models CTO)	45R6025	1
Taiwan (models CTO)	45R6026	1
HongKong (models CTO)	45R6027	1
Korea (models CTO)	45R6028	1
Russian English (models CTO)	45R6029	1
Portuguese (models CTO)	45R6030	1

<b>9194 Windows XP Pro Recovery CDs</b>	<b>FRU#</b>	<b>CRU</b>
English (models)	45R5979	1
French (models)	45R5980	1
German (models)	45R5981	1
Spanish (models)	45R5982	1
Brazil (models)	45R5983	1
Italian (models)	45R5984	1
Japanese (models)	45R5985	1
Norwegian (models)	45R5986	1
Swedish (models)	45R5987	1
Danish (models)	45R5988	1
Dutch (models)	45R5989	1
Czech (models)	45R5990	1

9194 Windows XP Pro Recovery CDs	FRU#	CRU
Finnish (models)	45R5991	1
Hebrew (models)	45R5992	1
Polish (models)	45R5993	1
Arabic (models)	45R5994	1
Russian (models)	45R5995	1
Turkish (models)	45R5996	1
Hungarian (models)	45R5997	1
Greek (models)	45R5998	1
Simplified Chinese (models)	45R5999	1
Taiwan (models)	45R6000	1
HongKong (models)	45R6001	1
Korea (models)	45R6002	1
Russian English (models)	45R6003	1
Portuguese (models)	45R6004	1
MUL 1 - EN, NL, FR, GR, IT (models)	45R5977	1
MUL 2 - EN, DK, FI, NO, SV (models)	45R5978	1

9194 Vista Home Basic 32 Recovery DVDs	FRU#	CRU
English (models)	46R7098	1
Russian English (models CTO)	46R7099	1
French (models CTO)	46R7100	1
German (models CTO)	46R7101	1
Spanish (models CTO)	46R7102	1
Brazilian (models CTO)	46R7103	1
Italian (models CTO)	46R7104	1
Japanese (models)	46R7105	1
Norwegian (models CTO)	46R7106	1
Swedish (models CTO)	46R1086	1
Danish (models CTO)	46R7107	1
Dutch (models CTO)	46R1088	1
Czech (models CTO)	46R1089	1
Finnish (models CTO)	46R1090	1
Polish (models CTO)	46R1091	1
Russian (models CTO)	46R7108	1
Turkish (models CTO)	46R1093	1
Hungarian (models CTO)	46R1094	1
Greek (models CTO)	46R1095	1
Simplified Chinese (models CTO)	46R7109	1
Taiwan (models CTO)	46R7110	1
HongKong (models CTO)	46R7111	1
Korea (models)	46R1099	1

9194 Vista Home Basic 32 Recovery DVDs	FRU#	CRU
Slovenian (models CTO)	46R1100	1
Hebrew (models CTO)	46R1101	1
Portuguese (models CTO)	46R1102	1
Arabic Localized (models CTO)	46R1103	1
Slovakia (models CTO)	46R1104	1

9194 Vista Business 32 Recovery DVDs	FRU#	CRU
English (models A1U A1G A1M A1A A1Q A1H )	46R7070	1
Russian English (models A1G)	46R7071	1
French (models A1G)	46R7072	1
German (models A1G)	46R7073	1
Spanish (models A1G)	46R7074	1
Brazilian (models A1P)	46R7075	1
Italian (models A1G)	46R7076	1
Japanese (models A1J)	46R7077	1
Norwegian (models A1G)	46R7078	1
Swedish (models A1G)	46R1028	1
Danish (models A1G )	46R7079	1
Dutch (models A1G)	46R1030	1
Czech (models A1G)	46R1031	1
Finnish (models A1G)	46R1032	1
Polish (models A1G)	46R1033	1
Russian (models A1G)	46R7080	1
Turkish (models A1G)	46R1035	1
Hungarian (models A1G)	46R1036	1
Greek (models A1G)	46R1037	1
Simplified Chinese (models A1C)	46R7081	1
Traditional Chinese (models A1V A1B)	46R7082	1
Traditional Chinese (models A1V A1B)	46R7083	1
Korean (models A1K)	46R1041	1
Slovenian ((models A1G)	46R1042	1
Romanian ((models A1G )	46R1043	1
Portuguese ((models A1G)	46R1044	1
Sebian-Latin (models)	46R1045	1
Slovakian (models A1G)	46R1046	1
Arabic Localized (models)	46R1047	1
Hebrew (models A1G)	46R1048	1

9194 Vista Ultimate 32 Recovery DVDs	FRU#	CRU
English (models)	45R5949	1
Russian English (models)	45R5950	1

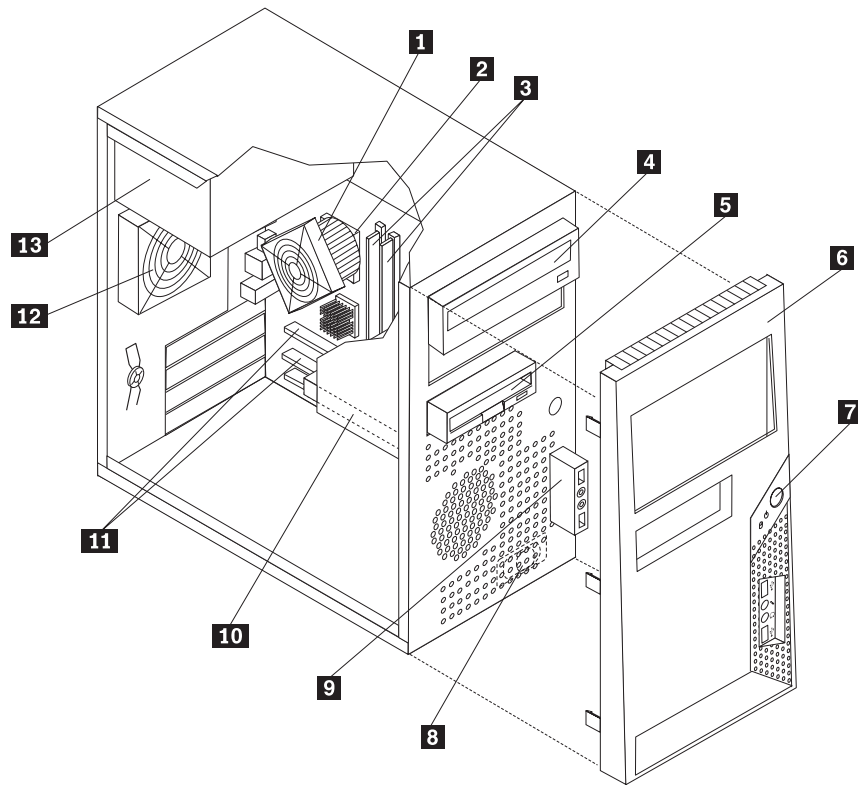


9194 Vista Ultimate 32 Recovery DVDs	FRU#	CRU
French (models)	45R5951	1
German (models)	45R5952	1
Spanish (models)	45R5953	1
Brazilian (models)	45R5954	1
Italian (models)	45R5955	1
Japanese (models)	45R5956	1
Norwegian (models)	45R5957	1
Swedish (models)	45R5958	1
Danish (models)	45R5959	1
Dutch (models)	45R5960	1
Czech (models)	45R5961	1
Finnish (models)	45R5962	1
Polish (models)	45R5963	1
Russian (models)	45R5964	1
Turkish (models)	45R5965	1
Hungarian (models)	45R5966	1
Greek (models)	45R5967	1
Simplified Chinese (models)	45R5968	1
Traditional Chinese (models)	45R5969	1
Traditional Chinese (models)	45R5970	1
Korean (models)	45R5971	1
Slovenian (models)	45R5972	1
Hebrew (models)	45R5973	1
Portuguese (models)	45R5974	1
Slovakian (models)	45R5975	1
Arabic Localized (models)	45R5976	1

9194 XP Pro Recovery DVDs	FRU#	CRU
English (models)	45R8811	1
French (models)	45R8812	1
German (models)	45R8813	1
Spanish (models)	45R8814	1
Brazil (models)	45R8815	1
Italian (models)	45R8816	1
Japanese (models)	45R8817	1
Norwegian (models)	45R8818	1
Swedish (models)	45R8819	1
Danish (models)	45R8820	1
Dutch (models)	45R8821	1
Czech (models)	45R8822	1
Finnish (models)	45R8823	1

9194 XP Pro Recovery DVDs	FRU#	CRU
Hebrew (models)	45R8824	1
Polish (models)	45R8825	1
Arabic (models)	45R8826	1
Russian (models)	45R8827	1
Turkish (models)	45R8828	1
Hungarian (models)	45R8829	1
Greek (models)	45R8830	1
Simplified Chinese (models)	45R8831	1
Taiwan (models)	45R8832	1
HongKong (models)	45R8833	1
Korea (models)	45R8834	1
Russian English (models)	45R8835	1
Portuguese (models)	45R8836	1
Slovenian (models)	45R8837	1

# Machine Type 9304



Item #	9304 FRUs	FRU#	CRU Tier
1	Intel 65W/95w heatsink (all models)	43N9309	2
2	Microprocessor, Conroe E6300 Processor 1.86GHz 1066MHz FSB 2M L2 (models)	41X2495	N
2	Microprocessor, Core 2 Duo E6320 Processor 1.86GHz 1066MHz FSB 4M L2 (models)	43C3829	N
2	Microprocessor, Conroe E6400 Processor 2.13GHz 1066MHz FSB 2M L2 (models)	41X2496	N
2	Microprocessor, Core 2 Duo E6420 Processor 2.13GHz 1066MHz FSB 4M L2 (models)	43C3831	N
2	Microprocessor, Core 2 Duo E6550 Processor 2.33GHz 1333MHz FSB 4M L2 (models)	43C3833	N
2	Microprocessor, Conroe E6600 Processor 2.40GHz 1066MHz FSB 4M L2 (models)	41X5743	N
2	Microprocessor, Conroe E6700 Processor 2.67GHz 1066MHz FSB 4M L2 (models)	41X5744	N
2	Microprocessor, Core 2 Duo E6750 Processor 2.66GHz 1333MHz FSB 4M L2 G-0 Stepping Level, Mainstream/Value FMB, TXT support (models)	43C1693	N
2	Microprocessor, Core 2 Duo E6850 Processor 3GHz 1333MHz FSB 4M L2 G-0 Stepping Level, Mainstream/Value FMB, TXT support (models)	43C1694	N
2	Microprocessor, Core 2 Duo E2140 Processor 1.6GHz 800MHz FSB 1M L2 (models)	43C1967	N
2	Microprocessor, Core 2 Duo E2160 Processor 1.8GHz 800MHz FSB 1M L2 (models)	43C1968	N
2	Microprocessor, Core 2 Duo E4300 Processor 1.8GHz 800MHz FSB 2M L2 (models)	42Y8009	N
2	Microprocessor, Core 2 Duo E4400 Processor 2.0GHz 800MHz FSB 2M L2L-2 Stepping Level, Mainstream/Value FMB/ M0 Stepping Level, Mainstream/Value FMB (models)	43C2056	N
2	Microprocessor, Core 2 Duo E4500 Processor 2.2GHz 800MHz FSB 2M L2 (models)	43C6305	N

Item #	9304 FRUs	FRU#	CRU Tier
2	Microprocessor, Core 2 Duo E2220 Processor 2.4GHz 800MHz FSB 1M L2 65W (models)	45C1774	N
2	Microprocessor, Core 2 Duo E4700 Processor 2.6GHz 800MHz 2M 65W (models)	45R5786	N
2	Microprocessor,Core 2 Duo E6540 Processor 2.33GHz 1333MHz FSB 4M L2 (models)	43C6307	N
2	Microprocessor, Celeron 420 Processor 1.6GHz 800MHz FSB 512K L2 (models)	43C3835	N
2	Microprocessor, Celeron 430 Processor 1.8GHz 800MHz FSB 512K L2 (models)	43C1964	N
2	Microprocessor, Celeron 440 Processor 2.0GHz 800MHz FSB 512K L2 (models)	43C1965	N
2	Microprocessor, Q6600 KENTSFIELD G-0 8MB 4c LGA 2.4GHZ 1066FSB G-0 Stepping Level, 95W (models)	43C1695	N
2	Microprocessor,Q6700 KENTSFIELD G-0 8MB 4c LGA G-0 Stepping Level, 95W2.66GHZ 1066FSB (models)	43C6309	N
2	Microprocessor, Core 2 Duo E4600 Processor 2.4GHz 800MHz FSB 2M L2 M-0 Stepping Level, Mainstream/Value FMB (models)	45C5282	N
2	Microprocessor, Core 2 Duo E2200 Processor 2.2GHz 800MHz FSB 1M L2 M-0 Stepping Level, Mainstream/Value FMB (models)	45C5349	N
2	Microprocessor, Core 2 Duo E8500 Processor 3.16GHz 1333MHz FSB 6M L2 65W (models)	45C7735	N
2	Microprocessor, Core 2 Duo E8400 Processor 3.0GHz 1333MHz FSB 6M L2 65W (models 7BG)	45C7736	N
2	Microprocessor, Core 2 Duo E8300 Processor 2.83GHz 1333MHz FSB 6M L2 65W (models)	45C7737	N
2	Microprocessor, Core 2 Duo E8200 Processor 2.66GHz 1333MHz FSB 6M L2 65W (models 7AG)	45C7738	N
2	Microprocessor, Core2 Duo E8190 Processor 1333/2600MHz 6M L2 65W Non vPro (models)	45R2568	N
2	Microprocessor, Core 2 Duo E7200 Processor 2.53GHz 1066MHz 3M L2 65W (models)	45R8337	N
2	Microprocessor, Dual Core E1400 Processor 2.0GHz 800MHz 512K L2 65W (models)	45R8339	N
2	Microprocessor, Dual Core E1200 Processor 1.6GHz 800MHz 512K (models)	45R8341	N
2	Microprocessor, Q9550 Yorkfield 2.83GHZ 1333FSB 12M 4/4 L2 95W C1 stepping (models)	45C7739	N
2	Microprocessor, Q9450 Yorkfield 2.66GHZ 1333FSB 12M 4/4 L2 95W C1 stepping (models)	45C7740	N
2	Microprocessor, Q9300 Yorkfield 2.50GHZ 1333FSB 6M 4/4 L2 95W M1 stepping (models)	45C7741	N
2	Microprocessor, Wolfdale Core 2 Duo E7300 Processor 2.66GHz 1066MHz FSB 3M L2 65W M0 Stepping (models)	46R1622	N
2	Microprocessor, Dual Core E1600 Processor 2.4GHz 800MHz 512K L2 65W M0 Stepping Level (models)	46R1655	N
2	Microprocessor, Core 2 Duo E2180 Processor 2.0GHz 800MHz FSB 1M L2 (models)	45C1773	N
3	Memory module, 1 GB PC2-5300 (667MHz) DDR2 SDRAM (models 7AG 7BG)	41X4256	2
3	Memory module, 512 MB PC2-5300 (667MHz) DDR2 SDRAM (models)	41X4255	2
3	Memory module, 2 GB PC2-5300 (667MHz) DDR2 SDRAM (models)	41X4257	2
3	Memory module, 512 MB PC2-6400 (800MHz) DDR2 SDRAM (models)	41X1079	2

Item #	9304 FRUs	FRU#	CRU Tier
3	Memory module, 1GB PC-6400 (800MHz) DDR2 SDRAM (models)	41X1080	2
3	Memory module, 2GB PC-6400 (800MHz) DDR2 SDRAM (models)	41X1081	2
4	DVD-ROM Drive - 16x/48x - SATA XP and Vista (models A1U A1F A1S A1P A1G A1M A1A A1Q A1T A1C A1B A1H A1V A1K A1J A1E)	41N3325	2
4	DVD-ROM/CD-RW Combo Drive - 48x/32x/48x/16x - SATA (models)	42Y9353	2
4	DVD-Recordable /CD-RW Rambo 8 - SATA (models 7AG 7BG)	43C1042	2
5	Diskette drive, 3,5", 1.44MB, 3Mode,(w/bezel) (models)	40Y9105	2
5	Diskette drive, 3,5", 1.44MB, 3Mode,(w/bezel) (models)	40Y9107	2
6	Bezel assembly (all models)	41N8052	2
7	Power switch/LED assembly (all models)	41N5284	2
8	Speaker assembly, soldered terminals (all models)	39P5023	2
9	Front audio/USB assembly (all models)	41N8054	2
10	Hard disk drive, 80GB Hard Drive (7200RPM) Serial ATA (models)	40Y9034	2
10	Hard disk drive, 160GB (7200RPM), Serial ATA (models)	40Y9035	2
10	Hard disk drive, 250 GB 7200rpm SATA (models 7AG)	40Y9036	2
10	Hard disk drive, 320 GB 7200rpm SATA (models 7BG)	87H4891	2
10	Hard disk drive, 500GB Hard Drive (7200RPM) Serial ATA (models)	41X5582	2
11	System board, Tamdhu II - Saturn non AMT(GA) support 45nm processor (Hard from 45R5312) (models)	46R1842	N
11	System board, Tamdhu II - Saturn AMT(GA) support 45nm processor (Hard from 45R5313) (models 7AG 7BG)	46R1843	N
12	Fan, Rear (4pin) Included in chassis shell (all models)	41R6269	2
13	Power supply, 280 Watt ATX Power Supply - Standard, Robust (models 7AG 7BG)	41A9684	2
13	Power supply, 310 Watt ATX Power Supply - Standard, Robust, JP (models 7AG 7BG)	41A9726	2
13	Power supply, 280 Watt ATX Power Supply (80plus) - Standard, Robust, JP (models)	41A9665	2

The FRUs listed in the following tables are not illustrated.

9304 FRUs	FRU#	CRU Tier
Shield, 5.25 EMC (all models)	41N8080	2
Shield, diskette drive EMC (all models)	41N8078	2
Cable, Diskette drive (RoHs) (all models)	41A7182	2
Kit, Miscellaneous hardware (all models)	41N8055	2
Retainer, Card Reader (all models)	41R2913	2
Optional HDD Bracket Asm, without 4Pin cable (all models)	41R6106	2
Intrusion Switch asm (all models)	41R6116	2
Bezel, without IBM mark (all models)	41R6243	2
Cover, left side (all models)	41N8050	1
Chassis without IBM mark (all models)	41R6241	N
Hard disk drive tray (all models)	41R6291	2
Fan, front (all models)	41R4791	2

9304 FRUs	FRU#	CRU Tier
SATA cable,457mm,1 latching for device,RoHS (all models)	43N9013	2
SATA cable,250mm,1 latching for device,RoHS (all models)	43N9012	2
Fru-Cable, Temp Sense Cable (460mm) (all models)	41R2509	2
Blank 5.25" Bezel (all models)	41N8077	2
Soft Modem V.90/V.44 -ATX (models)	29R9729	2
IEEE 1394 Firewire Adapter (ATX) (models CTO)	41D2781	2

9304 Keyboards (USB Preferred - without hub)	FRU#	CRU Tier
US English (models 7AG 7BG)	41A5289	1
Arabic (models)	41A5290	1
Arabic/French (models 7AG 7BG)	41A5291	1
Belgian/French (models 7AG 7BG)	41A5292	1
Belgian/UK (models 7AG 7BG)	41A5293	1
Brazilian (models 7AG 7BG)	41A5294	1
Bulgarian (models 7AG 7BG)	41A5295	1
Chinese/US (models)	41A5296	1
Czech (models 7AG 7BG)	41A5297	1
Danish (models 7AG 7BG)	41A5298	1
Dutch (models 7AG 7BG)	41A5299	1
French (models 7AG 7BG)	41A5300	1
French Canadian 445 (models)	41A5301	1
French Canadian 58 (models)	41A5302	1
German (models 7AG 7BG)	41A5303	1
Greek (models 7AG 7BG)	41A5304	1
Greek/US (models 7AG 7BG)	41A5305	1
Hebrew (models 7AG 7BG)	41A5306	1
Hungarian (models 7AG 7BG)	41A5307	1
Iceland (models 7AG 7BG)	41A5308	1
Japanese (models)	41A5310	1
Korean (models)	41A5311	1
LA Spanish (models)	41A5312	1
Italian 141 (models 7AG 7BG)	41A5309	1
Norwegian (models 7AG 7BG)	41A5313	1
Polish (models 7AG 7BG)	41A5314	1
Portuguese (models 7AG 7BG)	41A5315	1
Romanian 096 (models 7AG 7BG)	41A5317	1
Romanian 446 (models 7AG 7BG)	41A5316	1
Russian/Cyrillic (models 7AG 7BG)	41A5318	1
Serbian/Cyrillic (models 7AG 7BG)	41A5319	1
Slovak (models 7AG 7BG)	41A5320	1
Spanish (models 7AG 7BG)	41A5321	1

<b>9304 Keyboards (USB Preferred - without hub)</b>	<b>FRU#</b>	<b>CRU Tier</b>
Swedish/Finn (models 7AG 7BG)	41A5322	1
Swiss (models 7AG 7BG)	41A5323	1
Thailand (models)	41A5324	1
Turkish 440 (models 7AG 7BG)	41A5325	1
Turkish 179 (models 7AG 7BG)	41A5326	1
UK English (models 7AG 7BG)	41A5327	1
US Euro (models 7AG 7BG)	41A5328	1
Slovenian (models 7AG 7BG)	41A5329	1

<b>9304 Keyboards (Fingerprint Reader USB)</b>	<b>FRU#</b>	<b>CRU Tier</b>
US English (models)	41A5248	1
Arabic (models)	41A5249	1
Arabic/French (models)	41A5250	1
Belgian/French (models)	41A5251	1
Belgian/UK (models)	41A5252	1
Brazil/Portuguese (models)	41A5253	1
Bulgarian (models)	41A5254	1
Chinese (models)	41A5255	1
Czech (models)	41A5256	1
Danish (models)	41A5257	1
Dutch (models)	41A5258	1
French (models)	41A5259	1
French Canadian 445 (models)	41A5260	1
French Canadian 58 (models)	41A5261	1
German (models)	41A5262	1
Greek (models)	41A5263	1
Greek/US (models)	41A5264	1
Hebrew (models)	41A5265	1
Hungarian (models)	41A5266	1
Iceland (models)	41A5267	1
Italian 141 (models)	41A5268	1
Japanese (models)	41A5269	1
Korean (models)	41A5270	1
LA Spanish (models)	41A5271	1
Norwegian (models)	41A5272	1
Polish (models)	41A5273	1
Portuguese (models)	41A5274	1
Romanian 096 (models)	41A5275	1
Romanian 446 (models)	41A5276	1
Russian/Cyrillic (models)	41A5277	1
Serbian/Cyrillic (models)	41A5278	1

<b>9304 Keyboards (Fingerprint Reader USB)</b>	<b>FRU#</b>	<b>CRU Tier</b>
Slovak (models)	41A5279	1
Spanish (models)	41A5280	1
Swedish/Finn (models)	41A5281	1
Swiss (models)	41A5282	1
Thailand (models)	41A5283	1
Turkish 440 (models)	41A5284	1
Turkish 179 (models)	41A5285	1
UK English (models)	41A5286	1
US Euro (models)	41A5287	1
Slovenian (models)	41A5288	1

<b>9304 mice</b>	<b>FRU#</b>	<b>CRU Tier</b>
Optical Wheel Mouse (400DPI, USB) (models 7AG 7BG)	41U3013	1
Optical Wheel Mouse (400DPI, USB) (models 7AG 7BG)	41U3030	1
PS/2 Three Button ball mouse (models)	41R0018	1

<b>9304 Adapters and miscellaneous FRUs</b>	<b>FRU#</b>	<b>CRU</b>
Speakers, Lenovo Branded (models)	41A5334	1
Speaker Power brick - US, Canada, LA low voltage, ASEAN (models)	89P8571	1
Speaker Power brick - LA high voltage (non-APU) (models)	89P8575	1
Speaker Power brick - China, Thailand (models)	89P8581	1
Speaker Power brick - Japan (models)	89P8577	1
Speaker Power brick - Brazil (models)	89P8583	1
Speaker Power brick - Argentina (models)	41A4901	1
Speaker Power brick - ANZ (models)	89P8579	1
Speaker Brick - Korea (models)	41A4903	1
Speaker Power brick - Hong Kong, Malaysia, Singapore, UK, Brunei (models 7AG 7BG)	89P8573	1
Speaker Brick - Taiwan (models)	41A4905	1
Speaker Power brick - India, South Africa (models)	89P8585	1
Thermal Grease Syringe (models)	91P8835	N
Dongle DMS-59 to dual VGA cable (models)	42Y8181	1
Dongle DMS-59 to single VGA & DVI cable (models)	42Y8183	1
Dongle DMS-59 to dual DVI - I cable (models)	41X6398	1
ATI RV610 256M LP, PCIe x16, DMS59/S-Video (models)	46R4160	2
ATI RV610 128M ATX, PCIe x16, DMS59/S-Video (models)	46R4159	2
ATI HD 2600XT(RV630XT) 512MB 128BIT ATX, PCIe x16, Dual DVI-I/S-Video (models)	43C0261	2
New Casper DVI-D card,full height, support HDCP (models 7AG 7BG)	43C0258	2
ATI HD 2600XT(RV630XT) 512MB 128BIT ATX, PCIe x16, Dual DVI-I/S-Video (models)	43C0261	2
DVI-VGA Dongle (models)	45C7816	1
USB2.0 MEMORY CARDREADER, 6X2, ROHS (models CTO)	45R1883	2



9304 Power Cords	FRU#	CRU Tier
Line Cord - US (models)	41R3184	1
Line Cord - US (models)	41R3185	1
Line Cord - China (models)	41R3256	1
Line Cord - China (models)	41R3257	1
Line Cord - Brazil (models)	41R3270	1
Line Cord - Brazil (models)	41R3271	1
Line Cord - LA High Volt (APU) (models)	41R3176	1
Line Cord - LA High Volt (APU) (models)	41R3177	1
Line Cord - Korea (models)	41R3260	1
Line Cord - Korea (models)	41R3261	1
Line Cord - UK, Ireland, Singapore, Malaysia, Brunei (models 7AG 7BG)	41R3224	1
Line Cord - UK, Ireland, Singapore, Malaysia, Brunei (models 7AG 7BG)	41R3225	1
Line Cord - Taiwan (models)	41R3278	1
Line Cord - Taiwan (models)	41R3279	1
Line Cord - Italy (models 7AG 7BG)	41R3232	1
Line Cord - Italy (models 7AG 7BG)	41R3233	1
Line Cord - Indonesia, Laos, Cambodia, and Vietnam (models 7AG 7BG)	41R3208	1
Line Cord - Indonesia, Laos, Cambodia, and Vietnam (models 7AG 7BG)	41R3209	1
Line Cord - Denmark (models 7AG 7BG)	41R3212	1
Line Cord - Denmark (models 7AG 7BG)	41R3213	1
Line Cord - Switzerland (models 7AG 7BG)	41R3228	1
Line Cord - Switzerland (models 7AG 7BG)	41R3229	1
Line Cord - Israel (models 7AG 7BG)	41R3236	1
Line Cord - Israel (models 7AG 7BG)	41R3237	1
Line Cord - South Africa (models 7AG 7BG )	41R3220	1
Line Cord - South Africa (models 7AG 7BG )	41R3221	1
Line Cord - India (models)	41R3341	1
Line Cord - India (models)	41R3175	1
Line Cord - Japan (models)	41R3248	1
Line Cord - Japan (models)	41R3249	1
Line Cord - ANZ (models)	41R3196	1
Line Cord - ANZ (models)	41R3197	1
Line Cord - Hong Kong (models)	41R3224	1
Line Cord - Hong Kong (models)	41R3225	1

9304 Windows XP Home Recovery CDs	FRU#	CRU
English (models)	45R6005	1
French (models)	45R6006	1
German (models)	45R6007	1
Spanish (models)	45R6008	1
Brazil (models)	45R6009	1

<b>9304 Windows XP Home Recovery CDs</b>	<b>FRU#</b>	<b>CRU</b>
Italian (models)	45R6010	1
Japanese (models)	45R6011	1
Norwegian (models)	45R6012	1
Swedish (models)	45R6013	1
Danish (models)	45R6014	1
Dutch (models)	45R6015	1
Czech (models)	45R6016	1
Finnish (models)	45R6017	1
Hebrew (models)	45R6018	1
Polish (models)	45R6019	1
Arabic (models)	45R6020	1
Russian (models)	45R6021	1
Turkish (models)	45R6022	1
Hungarian (models)	45R6023	1
Greek (models)	45R6024	1
Simplified Chinese (models)	45R6025	1
Taiwan (models)	45R6026	1
HongKong (models)	45R6027	1
Korea (models)	45R6028	1
Russian English (models)	45R6029	1
Portuguese (models)	45R6030	1

<b>9304 Windows XP Pro Recovery CDs</b>	<b>FRU#</b>	<b>CRU</b>
English (models)	45R5979	1
French (models)	45R5980	1
German (models)	45R5981	1
Spanish (models)	45R5982	1
Brazil (models)	45R5983	1
Italian (models)	45R5984	1
Japanese (models)	45R5985	1
Norwegian (models)	45R5986	1
Swedish (models)	45R5987	1
Danish (models)	45R5988	1
Dutch (models)	45R5989	1
Czech (models)	45R5990	1
Finnish (models)	45R5991	1
Hebrew (models)	45R5992	1
Polish (models)	45R5993	1
Arabic (models)	45R5994	1
Russian (models)	45R5995	1
Turkish (models)	45R5996	1

9304 Windows XP Pro Recovery CDs	FRU#	CRU
Hungarian (models)	45R5997	1
Greek (models)	45R5998	1
Simplified Chinese (models)	45R5999	1
Taiwan (models)	45R6000	1
HongKong (models)	45R6001	1
Korea (models)	45R6002	1
Russian English (models)	45R6003	1
Portuguese (models)	45R6004	1
MUL 1 - EN, NL, FR, GR, IT (models)	45R5977	1
MUL 2 - EN, DK, FI, NO, SV (models)	45R5978	1

9304 Vista Home Basic 32 Recovery DVDs	FRU#	CRU
English (models)	46R7098	1
Russian English (models CTO)	46R7099	1
French (models CTO)	46R7100	1
German (models CTO)	46R7101	1
Spanish (models CTO)	46R7102	1
Brazilian (models CTO)	46R7103	1
Italian (models CTO)	46R7104	1
Japanese (models)	46R7105	1
Norwegian (models CTO)	46R7106	1
Swedish (models CTO)	46R1086	1
Danish (models CTO)	46R7107	1
Dutch (models CTO)	46R1088	1
Czech (models CTO)	46R1089	1
Finnish (models CTO)	46R1090	1
Polish (models CTO)	46R1091	1
Russian (models CTO)	46R7108	1
Turkish (models CTO)	46R1093	1
Hungarian (models CTO)	46R1094	1
Greek (models CTO)	46R1095	1
Simplified Chinese (models CTO)	46R7109	1
Taiwan (models CTO)	46R7110	1
HongKong (models CTO)	46R7111	1
Korea (models)	46R1099	1
Slovenian (models CTO)	46R1100	1
Hebrew (models CTO)	46R1101	1
Portuguese (models CTO)	46R1102	1
Arabic Localized (models CTO)	46R1103	1
Slovakia (models CTO)	46R1104	1

<b>9304 Vista Business 32 Recovery DVDs</b>	<b>FRU#</b>	<b>CRU</b>
English (models 7AG 7BG)	46R7070	1
Russian English (models 7AG 7BG)	46R7071	1
French (models 7AG 7BG )	46R7072	1
German (models 7AG 7BG)	46R7073	1
Spanish (models 7AG 7BG)	46R7074	1
Brazilian (models)	46R7075	1
Italian (models 7AG 7BG)	46R7076	1
Japanese (models)	46R7077	1
Norwegian (models 7AG 7BG)	46R7078	1
Swedish (models 7AG 7BG)	46R1028	1
Danish (models 7AG 7BG )	46R7079	1
Dutch (models 7AG 7BG)	46R1030	1
Czech (models 7AG 7BG)	46R1031	1
Finnish (models 7AG 7BG)	46R1032	1
Polish (models 7AG 7BG)	46R1033	1
Russian (models 7AG 7BG)	46R7080	1
Turkish (models 7AG 7BG)	46R1035	1
Hungarian (models 7AG 7BG)	46R1036	1
Greek (models 7AG 7BG)	46R1037	1
Simplified Chinese (models)	46R7081	1
Traditional Chinese (models)	46R7082	1
Traditional Chinese (models)	46R7083	1
Korean (models)	46R1041	1
Slovenian (models 7AG 7BG)	46R1042	1
Romanian (models 7AG 7BG )	46R1043	1
Portuguese (models 7AG 7BG)	46R1044	1
Sebian-Latin (models)	46R1045	1
Slovakian (models 7AG 7BG)	46R1046	1
Arabic Localized (models)	46R1047	1
Hebrew (models 7AG 7BG)	46R1048	1

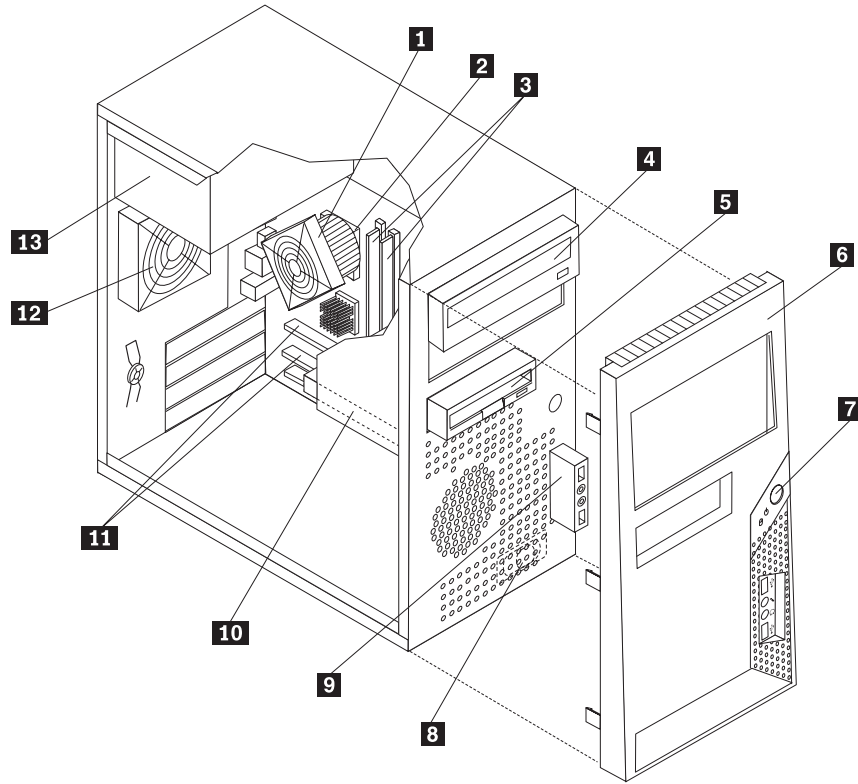
<b>9304 Vista Ultimate 32 Recovery DVDs</b>	<b>FRU#</b>	<b>CRU</b>
English (models)	45R5949	1
Russian English (models)	45R5950	1
French (models)	45R5951	1
German (models)	45R5952	1
Spanish (models)	45R5953	1
Brazilian (models)	45R5954	1
Italian (models)	45R5955	1
Japanese (models)	45R5956	1
Norwegian (models)	45R5957	1

9304 Vista Ultimate 32 Recovery DVDs	FRU#	CRU
Swedish (models)	45R5958	1
Danish (models)	45R5959	1
Dutch (models)	45R5960	1
Czech (models)	45R5961	1
Finnish (models)	45R5962	1
Polish (models)	45R5963	1
Russian (models)	45R5964	1
Turkish (models)	45R5965	1
Hungarian (models)	45R5966	1
Greek (models)	45R5967	1
Simplified Chinese (models)	45R5968	1
Traditional Chinese (models)	45R5969	1
Traditional Chinese (models)	45R5970	1
Korean (models)	45R5971	1
Slovenian (models)	45R5972	1
Hebrew (models)	45R5973	1
Portuguese (models)	45R5974	1
Slovakian (models)	45R5975	1
Arabic Localized (models)	45R5976	1

9304 XP Pro Recovery DVDs	FRU#	CRU
English (models)	45R8811	1
French (models)	45R8812	1
German (models)	45R8813	1
Spanish (models)	45R8814	1
Brazil (models)	45R8815	1
Italian (models)	45R8816	1
Japanese (models)	45R8817	1
Norwegian (models)	45R8818	1
Swedish (models)	45R8819	1
Danish (models)	45R8820	1
Dutch (models)	45R8821	1
Czech (models)	45R8822	1
Finnish (models)	45R8823	1
Hebrew (models)	45R8824	1
Polish (models)	45R8825	1
Arabic (models)	45R8826	1
Russian (models)	45R8827	1
Turkish (models)	45R8828	1
Hungarian (models)	45R8829	1
Greek (models)	45R8830	1

9304 XP Pro Recovery DVDs	FRU#	CRU
Simplified Chinese (models)	45R8831	1
Taiwan (models)	45R8832	1
HongKong (models)	45R8833	1
Korea (models)	45R8834	1
Russian English (models)	45R8835	1
Portuguese (models)	45R8836	1
Slovenian (models)	45R8837	1

# Machine Type 9323



Item #	9323 FRUs	FRU#	CRU Tier
1	Intel 65W/95w heatsink (all models)	43N9309	2
2	Microprocessor, Conroe E6300 Processor 1.86GHz 1066MHz FSB 2M L2 (models)	41X2495	N
2	Microprocessor, Core 2 Duo E6320 Processor 1.86GHz 1066MHz FSB 4M L2 (models)	43C3829	N
2	Microprocessor, Conroe E6400 Processor 2.13GHz 1066MHz FSB 2M L2 (models)	41X2496	N
2	Microprocessor, Core 2 Duo E6420 Processor 2.13GHz 1066MHz FSB 4M L2 (models)	43C3831	N
2	Microprocessor, Core 2 Duo E6550 Processor 2.33GHz 1333MHz FSB 4M L2 (models A1U A1F A1S A1P A1G A1M A1A A1Q A1T A1C A1B A1H A1V A1K A1J A1E)	43C3833	N
2	Microprocessor, Conroe E6600 Processor 2.40GHz 1066MHz FSB 4M L2 (models)	41X5743	N
2	Microprocessor, Conroe E6700 Processor 2.67GHz 1066MHz FSB 4M L2 (models)	41X5744	N
2	Microprocessor, Core 2 Duo E6750 Processor 2.66GHz 1333MHz FSB 4M L2 G-0 Stepping Level, Mainstream/Value FMB, TXT support (models)	43C1693	N
2	Microprocessor, Core 2 Duo E6850 Processor 3GHz 1333MHz FSB 4M L2 G-0 Stepping Level, Mainstream/Value FMB, TXT support (models)	43C1694	N
2	Microprocessor, Core 2 Duo E2140 Processor 1.6GHz 800MHz FSB 1M L2 (models)	43C1967	N
2	Microprocessor, Core 2 Duo E2160 Processor 1.8GHz 800MHz FSB 1M L2 Core 2 Duo E2160 Processor 1.8GHz 800MHz FSB 1M L2 (models)	43C1968	N
2	Microprocessor, Core 2 Duo E4300 Processor 1.8GHz 800MHz FSB 2M L2 (models)	42Y8009	N

Item #	9323 FRUs	FRU#	CRU Tier
2	Microprocessor, Core 2 Duo E4400 Processor 2.0GHz 800MHz FSB 2M L2L-2 Stepping Level, Mainstream/Value FMB/ M0 Stepping Level, Mainstream/Value FMB (models)	43C2056	N
2	Microprocessor, Core 2 Duo E4500 Processor 2.2GHz 800MHz FSB 2M L2 (models)	43C6305	N
2	Microprocessor, Core 2 Duo E2220 Processor 2.4GHz 800MHz FSB 1M L2 65W (models)	45C1774	N
2	Microprocessor, Core 2 Duo E4700 Processor 2.6GHz 800MHz 2M 65W (models)	45R5786	N
2	Microprocessor, Core 2 Duo E6540 Processor 2.33GHz 1333MHz FSB 4M L2 (models CTO)	43C6307	N
2	Microprocessor, Celeron 420 Processor 1.6GHz 800MHz FSB 512K L2 (models)	43C3835	N
2	Microprocessor, Celeron 430 Processor 1.8GHz 800MHz FSB 512K L2 (models)	43C1964	N
2	Microprocessor, Celeron 440 Processor 2.0GHz 800MHz FSB 512K L2 (models)	43C1965	N
2	Microprocessor, Q6600 KENTSFIELD G-0 8MB 4c LGA 2.4GHZ 1066FSB G-0 Stepping Level, 95W (models CTO)	43C1695	N
2	Microprocessor, Q6700 KENTSFIELD G-0 8MB 4c LGA G-0 Stepping Level, 95W 2.66GHZ 1066FSB (models CTO)	43C6309	N
2	Microprocessor, Core 2 Duo E4600 Processor 2.4GHz 800MHz FSB 2M L2 M-0 Stepping Level, Mainstream/Value FMB (models)	45C5282	N
2	Microprocessor, Core 2 Duo E2200 Processor 2.2GHz 800MHz FSB 1M L2 M-0 Stepping Level, Mainstream/Value FMB (models)	45C5349	N
2	Microprocessor, Core 2 Duo E8500 Processor 3.16GHz 1333MHz FSB 6M L2 65W (models CTO)	45C7735	N
2	Microprocessor, Core 2 Duo E8400 Processor 3.0GHz 1333MHz FSB 6M L2 65W (models)	45C7736	N
2	Microprocessor, Core 2 Duo E8300 Processor 2.83GHz 1333MHz FSB 6M L2 65W (models)	45C7737	N
2	Microprocessor, Core 2 Duo E8200 Processor 2.66GHz 1333MHz FSB 6M L2 65W (models)	45C7738	N
2	Microprocessor, Core2 Duo E8190 Processor 1333/2600MHz 6M L2 65W Non vPro (models)	45R2568	N
2	Microprocessor, Core 2 Duo E7200 Processor 2.53GHz 1066MHz 3M L2 65W (models)	45R8337	N
2	Microprocessor, Dual Core E1400 Processor 2.0GHz 800MHz 512K L2 65W (models)	45R8339	N
2	Microprocessor, Dual Core E1200 Processor 1.6GHz 800MHz 512K (models)	45R8341	N
2	Microprocessor, Q9550 Yorkfield 2.83GHZ 1333FSB 12M 4/4 L2 95W C1 stepping (models)	45C7739	N
2	Microprocessor, Q9450 Yorkfield 2.66GHZ 1333FSB 12M 4/4 L2 95W C1 stepping (models)	45C7740	N
2	Microprocessor, Q9300 Yorkfield 2.50GHZ 1333FSB 6M 4/4 L2 95W M1 stepping (models)	45C7741	N
2	Microprocessor, Wolfdale Core 2 Duo E7300 Processor 2.66GHz 1066MHz FSB 3M L2 65W M0 Stepping (models)	46R1622	N
2	Microprocessor, Dual Core E1600 Processor 2.4GHz 800MHz 512K L2 65W M0 Stepping Level (models)	46R1655	N
2	Microprocessor, Core 2 Duo E2180 Processor 2.0GHz 800MHz FSB 1M L2 (models)	45C1773	N



Item #	9323 FRUs	FRU#	CRU Tier
3	Memory module, 1 GB PC2-5300 (667MHz) DDR2 SDRAM (models A1U A1F A1S A1P A1G A1M A1A A1Q A1T A1C A1B A1H A1V A1K A1J A1E)	41X4256	2
4	DVD-ROM Drive - 16x/48x - SATA XP and Vista (models A1U A1F A1S A1P A1G A1M A1A A1Q A1T A1C A1B A1H A1V A1K A1J A1E)	41N3325	2
5	Diskette drive, 3,5", 1.44MB, 3Mode,(w/bezel) (models)	40Y9105	2
5	Diskette drive, 3,5", 1.44MB, 3Mode,(w/bezel) (models)	40Y9107	2
6	Bezel assembly (all models)	41N8052	2
7	Power switch/LED assembly (all models)	41N5284	2
8	Speaker assembly, soldered terminals (all models)	39P5023	2
9	Front audio/USB assembly (all models)	41N8054	2
10	Hard disk drive, 160GB (7200RPM), Serial ATA (models A1U A1F A1D A1P A1G A1M A1A A1Q A1T A1C A1B A1H A1V A1K A1J A1E)	40Y9035	2
11	System board, Tamdhu II - Saturn non AMT(GA) support 45nm processor (Hard from 45R5312) (models A1U A1F A1S A1P A1G A1M A1A A1Q A1T A1C A1B A1H A1V A1K A1J A1E)	46R1842	N
11	System board, Tamdhu II - Saturn AMT(GA) support 45nm processor (Hard from 45R5313) (models)	46R1843	N
12	Fan, Rear (4pin) Included in chassis shell (all models)	41R6269	2
13	Power supply, 280 Watt ATX Power Supply - Standard, Robust (models A1U A1F A1S A1P A1G A1M A1A A1Q A1T A1C A1B A1H A1V A1K )	41A9684	2
13	Power supply, 310 Watt ATX Power Supply - Standard, Robust, JP (models A1Q A1C A1B A1H A1V)	41A9726	2
13	Power supply, 280 Watt ATX Power Supply (80plus) - Standard, Robust, JP (models A1U A1F A1S A1P A1G A1M A1A A1Q A1T A1C A1B A1H A1V A1K A1J A1E)	41A9665	2

The FRUs listed in the following tables are not illustrated.

9323 FRUs	FRU#	CRU Tier
Shield, 5.25 EMC (all models)	41N8080	2
Shield, diskette drive EMC (all models)	41N8078	2
Cable, Diskette drive (RoHs) (all models)	41A7182	2
Kit, Miscellaneous hardware (all models)	41N8055	2
Retainer, Card Reader (all models)	41R2913	2
Optional HDD Bracket Asm, without 4Pin cable (all models)	41R6106	2
Intrusion Switch asm (all models)	41R6116	2
Bezel, without IBM mark (all models)	41R6243	2
Cover, left side (all models)	41N8050	1
Chassis without IBM mark (all models)	41R6241	N
Hard disk drive tray (all models)	41R6291	2
Fan, front (all models)	41R4791	2
SATA cable,457mm,1 latching for device,RoHS (all models)	43N9013	2
SATA cable,250mm,1 latching for device,RoHS (all models)	43N9012	2
Fru-Cable, Temp Sense Cable (460mm) (all models)	41R2509	2

9323 FRUs	FRU#	CRU Tier
FRU - Blank 5.25" Bezel (all models)	41N8077	2

9323 Keyboards (USB Preferred - without hub)	FRU#	CRU Tier
US English (models A1U A1G A1M A1A A1Q A1E)	41A5289	1
Arabic (models A1G)	41A5290	1
Arabic/French (models A1G)	41A5291	1
Belgian/French (models A1G)	41A5292	1
Belgian/UK (models A1G)	41A5293	1
Brazilian (models A1P)	41A5294	1
Bulgarian (models A1G)	41A5295	1
Chinese/US (models A1B A1V)	41A5296	1
Czech (models A1G)	41A5297	1
Danish (models A1G)	41A5298	1
Dutch (models A1G)	41A5299	1
French (models A1G)	41A5300	1
French Canadian 445 (models A1F)	41A5301	1
French Canadian 58 (models A1F)	41A5302	1
German (models A1G)	41A5303	1
Greek (models A1G)	41A5304	1
Greek/US (models A1G)	41A5305	1
Hebrew (models A1G)	41A5306	1
Hungarian (models A1G)	41A5307	1
Iceland (models A1G)	41A5308	1
Japanese (models A1J)	41A5310	1
Korean (models A1K)	41A5311	1
LA Spanish (models A1S)	41A5312	1
Italian 141 (models A1G)	41A5309	1
Norwegian (models A1G)	41A5313	1
Polish (models A1G)	41A5314	1
Portuguese (models A1G)	41A5315	1
Romanian 096 (models A1G)	41A5317	1
Romanian 446 (models A1G)	41A5316	1
Russian/Cyrillic (models A1G)	41A5318	1
Serbian/Cyrillic (models A1G)	41A5319	1
Slovak (models A1G)	41A5320	1
Spanish (models A1G)	41A5321	1
Swedish/Finn (models A1G)	41A5322	1
Swiss (models A1G)	41A5323	1
Thailand (models A1T)	41A5324	1
Turkish 440 (models A1G)	41A5325	1
Turkish 179 (models A1G)	41A5326	1

<b>9323 Keyboards (USB Preferred - without hub)</b>	<b>FRU#</b>	<b>CRU Tier</b>
UK English (models A1G)	41A5327	1
US Euro (models A1G)	41A5328	1
Slovenian (models A1G)	41A5329	1

<b>9323 Keyboards (Fingerprint Reader USB)</b>	<b>FRU#</b>	<b>CRU Tier</b>
US English (models)	41A5248	1
Arabic (models)	41A5249	1
Arabic/French (models)	41A5250	1
Belgian/French (models)	41A5251	1
Belgian/UK (models)	41A5252	1
Brazil/Portuguese (models)	41A5253	1
Bulgarian (models)	41A5254	1
Chinese (models)	41A5255	1
Czech (models)	41A5256	1
Danish (models)	41A5257	1
Dutch (models)	41A5258	1
French (models)	41A5259	1
French Canadian 445 (models)	41A5260	1
French Canadian 58 (models)	41A5261	1
German (models)	41A5262	1
Greek (models)	41A5263	1
Greek/US (models)	41A5264	1
Hebrew (models)	41A5265	1
Hungarian (models)	41A5266	1
Iceland (models)	41A5267	1
Italian 141 (models)	41A5268	1
Japanese (models)	41A5269	1
Korean (models)	41A5270	1
LA Spanish (models)	41A5271	1
Norwegian (models)	41A5272	1
Polish (models)	41A5273	1
Portuguese (models)	41A5274	1
Romanian 096 (models)	41A5275	1
Romanian 446 (models)	41A5276	1
Russian/Cyrillic (models)	41A5277	1
Serbian/Cyrillic (models)	41A5278	1
Slovak (models)	41A5279	1
Spanish (models)	41A5280	1
Swedish/Finn (models)	41A5281	1
Swiss (models)	41A5282	1
Thailand (models)	41A5283	1

9323 Keyboards (Fingerprint Reader USB)	FRU#	CRU Tier
Turkish 440 (models)	41A5284	1
Turkish 179 (models)	41A5285	1
UK English (models)	41A5286	1
US Euro (models)	41A5287	1
Slovenian (models)	41A5288	1

9323 mice	FRU#	CRU Tier
Optical Wheel Mouse (400DPI, USB) (models A1U A1F A1S A1P A1G A1M A1A A1Q A1T A1C A1B A1H A1V A1K A1J A1E)	41U3013	1
Optical Wheel Mouse (400DPI, USB) (models A1U A1F A1S A1P A1G A1M A1A A1Q A1T A1C A1B A1H A1V A1K A1J A1E)	41U3030	1

9323 Adapters and miscellaneous FRUs	FRU#	CRU
IEEE 1394 Firewire Adapter (ATX) (models CTO)	41D2781	2
Speaker Power brick - US, Canada, LA low voltage, ASEAN (models A1U A1A)	89P8571	1
Speaker Power brick - LA high voltage (non-APU) (models)	89P8575	1
Speaker Power brick - China, Thailand (models A1C A1T)	89P8581	1
Speaker Power brick - Japan (models A1J A1E)	89P8577	1
Speaker Power brick - ANZ (models A1M)	89P8579	1
Speaker Brick - Korea (models A1K)	41A4903	1
Speaker Power brick - Hong Kong, Malaysia, Singapore, UK, Brunei (models A1B A1H)	89P8573	1
Speaker Brick - Taiwan (models A1V)	41A4905	1
Speaker Power brick - India, South Africa (models A1Q)	89P8585	1
ATI HD 2600XT(RV630XT) 512MB 128BIT ATX, PCIe x16, Dual DVI-I/S-Video (models CTO)	43C0261	2
ATI RV610 256M LP, PCIe x16, DMS59/S-Video (models)	46R4160	2
ATI RV610 128M ATX, PCIe x16, DMS59/S-Video (models)	46R4159	2
DVI-VGA Dongle (models CTO)	45C7816	1
USB2.0 MEMORY CARDREADER,6X2,ROHS (models CTO)	45R1883	2
ODD/FDD/Cardreader Retainers (all models)	43N9351	2
20-in-1 Card Reader (all models)	45R8139	2
Temp Sense Cable (165 mm) (all models)	43N9079	2

9323 Power Cords	FRU#	CRU Tier
Line Cord - US (models A1U A1F A1S A1D A1L A1A A1T)	41R3184	1
Line Cord - US (models A1U A1F A1S A1D A1L A1A A1T)	41R3185	1
Line Cord - China (models A1C)	41R3256	1
Line Cord - China (models A1C)	41R3257	1
Line Cord - Brazil (models A1P)	41R3270	1
Line Cord - Brazil (models A1P)	41R3271	1
Line Cord - LA High Volt (APU) (models A1Y A1L )	41R3176	1
Line Cord - LA High Volt (APU) (models A1Y A1L )	41R3177	1

9323 Power Cords	FRU#	CRU Tier
Line Cord - Korea (models A1K A1R)	41R3260	1
Line Cord - Korea (models A1K A1R)	41R3261	1
Line Cord - UK, Ireland, Singapore, Malaysia, Brunei (models A1G A1A)	41R3224	1
Line Cord - UK, Ireland, Singapore, Malaysia, Brunei (models A1G A1A)	41R3225	1
Line Cord - Taiwan (models A1V)	41R3278	1
Line Cord - Taiwan (models A1V)	41R3279	1
Line Cord - Italy (models A1S A1Y A1L A1G)	41R3232	1
Line Cord - Italy (models A1S A1Y A1L A1G)	41R3233	1
Line Cord - Indonesia, Laos, Cambodia, and Vietnam (models A1A)	41R3208	1
Line Cord - Indonesia, Laos, Cambodia, and Vietnam (models A1A)	41R3209	1
Line Cord - Denmark (models A1G)	41R3212	1
Line Cord - Denmark (models A1G)	41R3213	1
Line Cord - Switzerland (models A1G)	41R3228	1
Line Cord - Switzerland (models A1G)	41R3229	1
Line Cord - Israel (models A1G)	41R3236	1
Line Cord - Israel (models A1G)	41R3237	1
Line Cord - South Africa (models A1M )	41R3220	1
Line Cord - South Africa (models A1M )	41R3221	1
Line Cord - India (models A1Q)	41R3341	1
Line Cord - India (models A1Q)	41R3175	1
Line Cord - Japan (models A1E A1J )	41R3248	1
Line Cord - Japan (models A1E A1J )	41R3249	1
Line Cord - ANZ (models A1M )	41R3196	1
Line Cord - ANZ (models A1M )	41R3197	1
Line Cord - Hong Kong (models A1B A1H )	41R3224	1
Line Cord - Hong Kong (models A1B A1H )	41R3225	1

9323 Windows XP Home Recovery CDs	FRU#	CRU
English (models CTO)	45R6005	1
French (models CTO)	45R6006	1
German (models CTO)	45R6007	1
Spanish (models CTO)	45R6008	1
Brazil (models CTO)	45R6009	1
Italian (models)	45R6010	1
Japanese (models)	45R6011	1
Norwegian (models CTO)	45R6012	1
Swedish (models CTO)	45R6013	1
Danish (models CTO)	45R6014	1
Dutch (models CTO)	45R6015	1
Czech (models CTO)	45R6016	1
Finnish (models CTO)	45R6017	1

9323 Windows XP Home Recovery CDs	FRU#	CRU
Hebrew (models CTO)	45R6018	1
Polish (models CTO)	45R6019	1
Arabic (models CTO)	45R6020	1
Russian (models CTO)	45R6021	1
Turkish (models CTO)	45R6022	1
Hungarian (models CTO)	45R6023	1
Greek (models CTO)	45R6024	1
Simplified Chinese (models CTO)	45R6025	1
Taiwan (models CTO)	45R6026	1
HongKong (models CTO)	45R6027	1
Korea (models CTO)	45R6028	1
Russian English (models CTO)	45R6029	1
Portuguese (models CTO)	45R6030	1

9323 Windows XP Pro Recovery CDs	FRU#	CRU
English (models)	45R5979	1
French (models)	45R5980	1
German (models)	45R5981	1
Spanish (models)	45R5982	1
Brazil (models)	45R5983	1
Italian (models)	45R5984	1
Japanese (models)	45R5985	1
Norwegian (models)	45R5986	1
Swedish (models)	45R5987	1
Danish (models)	45R5988	1
Dutch (models)	45R5989	1
Czech (models)	45R5990	1
Finnish (models)	45R5991	1
Hebrew (models)	45R5992	1
Polish (models)	45R5993	1
Arabic (models)	45R5994	1
Russian (models)	45R5995	1
Turkish (models)	45R5996	1
Hungarian (models)	45R5997	1
Greek (models)	45R5998	1
Simplified Chinese (models)	45R5999	1
Taiwan (models)	45R6000	1
HongKong (models)	45R6001	1
Korea (models)	45R6002	1
Russian English (models)	45R6003	1
Portuguese (models)	45R6004	1

9323 Windows XP Pro Recovery CDs	FRU#	CRU
MUL 1 - EN, NL, FR, GR, IT (models)	45R5977	1
MUL 2 - EN, DK, FI, NO, SV (models)	45R5978	1

9323 Vista Home Basic 32 Recovery DVDs	FRU#	CRU
English (models)	46R7098	1
Russian English (models CTO)	46R7099	1
French (models CTO)	46R7100	1
German (models CTO)	46R7101	1
Spanish (models CTO)	46R7102	1
Brazilian (models CTO)	46R7103	1
Italian (models CTO)	46R7104	1
Japanese (models)	46R7105	1
Norwegian (models CTO)	46R7106	1
Swedish (models CTO)	46R1086	1
Danish (models CTO)	46R7107	1
Dutch (models CTO)	46R1088	1
Czech (models CTO)	46R1089	1
Finnish (models CTO)	46R1090	1
Polish (models CTO)	46R1091	1
Russian (models CTO)	46R7108	1
Turkish (models CTO)	46R1093	1
Hungarian (models CTO)	46R1094	1
Greek (models CTO)	46R1095	1
Simplified Chinese (models CTO)	46R7109	1
Taiwan (models CTO)	46R7110	1
HongKong (models CTO)	46R7111	1
Korea (models)	46R1099	1
Slovenian (models CTO)	46R1100	1
Hebrew (models CTO)	46R1101	1
Portuguese (models CTO)	46R1102	1
Arabic Localized (models CTO)	46R1103	1
Slovakia (models CTO)	46R1104	1

9323 Vista Business 32 Recovery DVDs	FRU#	CRU
English (models A1U A1M A1A A1Q A1H A1E)	46R7070	1
Russian English (models A1G)	46R7071	1
French (models A1F )	46R7072	1
German (models A1G)	46R7073	1
Spanish (models A1G)	46R7074	1
Brazilian (models A1P)	46R7075	1
Italian (models A1G)	46R7076	1

9323 Vista Business 32 Recovery DVDs	FRU#	CRU
Japanese (models A1J)	46R7077	1
Norwegian (models A1G)	46R7078	1
Swedish (models A1G)	46R1028	1
Danish (models A1G )	46R7079	1
Dutch (models A1G)	46R1030	1
Czech (models A1G)	46R1031	1
Finnish (models A1G)	46R1032	1
Polish (models A1G)	46R1033	1
Russian (models A1G)	46R7080	1
Turkish (models A1G)	46R1035	1
Hungarian (models A1G)	46R1036	1
Greek (models A1G)	46R1037	1
Simplified Chinese (models A1C)	46R7081	1
Traditional Chinese (models A1V A1B)	46R7082	1
Traditional Chinese (models A1V A1B)	46R7083	1
Korean (models A1K)	46R1041	1
Slovenian (models A1G)	46R1042	1
Romanian (models A1G )	46R1043	1
Portuguese (models A1G)	46R1044	1
Sebian-Latin (models)	46R1045	1
Slovakian (models A1G)	46R1046	1
Arabic Localized (models)	46R1047	1
Hebrew (models A1G)	46R1048	1

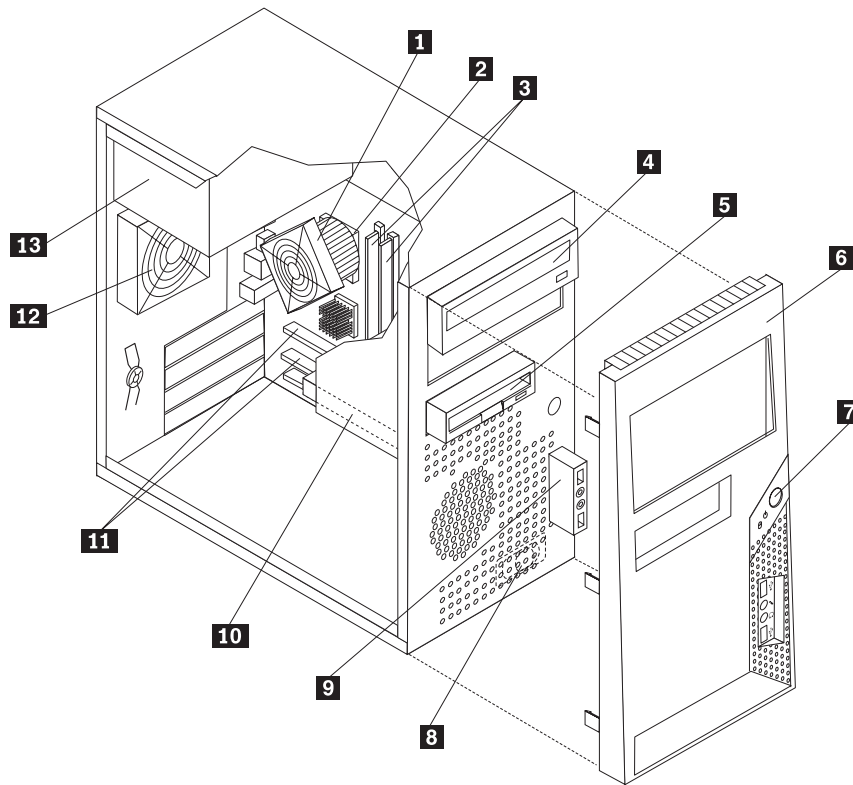
9323 Vista Ultimate 32 Recovery DVDs	FRU#	CRU
English (models)	45R5949	1
Russian English (models)	45R5950	1
French (models)	45R5951	1
German (models)	45R5952	1
Spanish (models)	45R5953	1
Brazilian (models)	45R5954	1
Italian (models)	45R5955	1
Japanese (models)	45R5956	1
Norwegian (models)	45R5957	1
Swedish (models)	45R5958	1
Danish (models)	45R5959	1
Dutch (models)	45R5960	1
Czech (models)	45R5961	1
Finnish (models)	45R5962	1
Polish (models)	45R5963	1
Russian (models)	45R5964	1



9323 Vista Ultimate 32 Recovery DVDs	FRU#	CRU
Turkish (models)	45R5965	1
Hungarian (models)	45R5966	1
Greek (models)	45R5967	1
Simplified Chinese (models)	45R5968	1
Traditional Chinese (models)	45R5969	1
Traditional Chinese (models)	45R5970	1
Korean (models)	45R5971	1
Slovenian (models)	45R5972	1
Hebrew (models)	45R5973	1
Portuguese (models)	45R5974	1
Slovakian (models)	45R5975	1
Arabic Localized (models)	45R5976	1

9323 XP Pro Recovery DVDs	FRU#	CRU
English (models)	45R8811	1
French (models)	45R8812	1
German (models)	45R8813	1
Spanish (models)	45R8814	1
Brazil (models)	45R8815	1
Italian (models)	45R8816	1
Japanese (models)	45R8817	1
Norwegian (models)	45R8818	1
Swedish (models)	45R8819	1
Danish (models)	45R8820	1
Dutch (models)	45R8821	1
Czech (models)	45R8822	1
Finnish (models)	45R8823	1
Hebrew (models)	45R8824	1
Polish (models)	45R8825	1
Arabic (models)	45R8826	1
Russian (models)	45R8827	1
Turkish (models)	45R8828	1
Hungarian (models)	45R8829	1
Greek (models)	45R8830	1
Simplified Chinese (models)	45R8831	1
Taiwan (models)	45R8832	1
HongKong (models)	45R8833	1
Korea (models)	45R8834	1
Russian English (models)	45R8835	1
Portuguese (models)	45R8836	1
Slovenian (models)	45R8837	1

## Machine Type 9326



Item #	9326 FRUs	FRU#	CRU Tier
1	Intel 65W/95w heatsink (all models)	43N9309	2
2	Microprocessor, Conroe E6300 Processor 1.86GHz 1066MHz FSB 2M L2 (models)	41X2495	N
2	Microprocessor, Core 2 Duo E6320 Processor 1.86GHz 1066MHz FSB 4M L2 (models)	43C3829	N
2	Microprocessor, Conroe E6400 Processor 2.13GHz 1066MHz FSB 2M L2 (models)	41X2496	N
2	Microprocessor, Core 2 Duo E6420 Processor 2.13GHz 1066MHz FSB 4M L2 (models)	43C3831	N
2	Microprocessor, Core 2 Duo E6550 Processor 2.33GHz 1333MHz FSB 4M L2 (models A1U A11F A1S A1P A1L A1D A1Y A1G A1M A1A A1Q A1T A1C A1B A1H A1V A1K A1R A1E A1J)	43C3833	N
2	Microprocessor, Conroe E6600 Processor 2.40GHz 1066MHz FSB 4M L2 (models)	41X5743	N
2	Microprocessor, Conroe E6700 Processor 2.67GHz 1066MHz FSB 4M L2 (models)	41X5744	N
2	Microprocessor, Core 2 Duo E6750 Processor 2.66GHz 1333MHz FSB 4M L2 G-0 Stepping Level, Mainstream/Value FMB, TXT support (models)	43C1693	N
2	Microprocessor, Core 2 Duo E6850 Processor 3GHz 1333MHz FSB 4M L2 G-0 Stepping Level, Mainstream/Value FMB, TXT support (models)	43C1694	N
2	Microprocessor, Core 2 Duo E2140 Processor 1.6GHz 800MHz FSB 1M L2 (models)	43C1967	N
2	Microprocessor, Core 2 Duo E2160 Processor 1.8GHz 800MHz FSB 1M L2 Core 2 Duo E2160 Processor 1.8GHz 800MHz FSB 1M L2 (models)	43C1968	N
2	Microprocessor, Core 2 Duo E4300 Processor 1.8GHz 800MHz FSB 2M L2 (models)	42Y8009	N

Item #	9326 FRUs	FRU#	CRU Tier
2	Microprocessor, Core 2 Duo E4400 Processor 2.0GHz 800MHz FSB 2M L2L-2 Stepping Level, Mainstream/Value FMB/ M0 Stepping Level, Mainstream/Value FMB (models)	43C2056	N
2	Microprocessor, Core 2 Duo E4500 Processor 2.2GHz 800MHz FSB 2M L2 (models)	43C6305	N
2	Microprocessor, Core 2 Duo E2220 Processor 2.4GHz 800MHz FSB 1M L2 65W (models)	45C1774	N
2	Microprocessor, Core 2 Duo E4700 Processor 2.6GHz 800MHz 2M 65W (models)	45R5786	N
2	Microprocessor, Core 2 Duo E6540 Processor 2.33GHz 1333MHz FSB 4M L2 (models CTO)	43C6307	N
2	Microprocessor, Celeron 420 Processor 1.6GHz 800MHz FSB 512K L2 (models)	43C3835	N
2	Microprocessor, Celeron 430 Processor 1.8GHz 800MHz FSB 512K L2 (models)	43C1964	N
2	Microprocessor, Celeron 440 Processor 2.0GHz 800MHz FSB 512K L2 (models)	43C1965	N
2	Microprocessor, Q6600 KENTSFIELD G-0 8MB 4c LGA 2.4GHZ 1066FSB G-0 Stepping Level, 95W (models CTO)	43C1695	N
2	Microprocessor, Q6700 KENTSFIELD G-0 8MB 4c LGA G-0 Stepping Level, 95W 2.66GHZ 1066FSB (models CTO)	43C6309	N
2	Microprocessor, Core 2 Duo E4600 Processor 2.4GHz 800MHz FSB 2M L2 M-0 Stepping Level, Mainstream/Value FMB (models)	45C5282	N
2	Microprocessor, Core 2 Duo E2200 Processor 2.2GHz 800MHz FSB 1M L2 M-0 Stepping Level, Mainstream/Value FMB (models)	45C5349	N
2	Microprocessor, Core 2 Duo E8500 Processor 3.16GHz 1333MHz FSB 6M L2 65W (models)	45C7735	N
2	Microprocessor, Core 2 Duo E8400 Processor 3.0GHz 1333MHz FSB 6M L2 65W (models)	45C7736	N
2	Microprocessor, Core 2 Duo E8300 Processor 2.83GHz 1333MHz FSB 6M L2 65W (models)	45C7737	N
2	Microprocessor, Core 2 Duo E8200 Processor 2.66GHz 1333MHz FSB 6M L2 65W (models)	45C7738	N
2	Microprocessor, Core2 Duo E8190 Processor 1333/2600MHz 6M L2 65W Non vPro (models)	45R2568	N
2	Microprocessor, Core 2 Duo E7200 Processor 2.53GHz 1066MHz 3M L2 65W (models)	45R8337	N
2	Microprocessor, Dual Core E1400 Processor 2.0GHz 800MHz 512K L2 65W (models)	45R8339	N
2	Microprocessor, Dual Core E1200 Processor 1.6GHz 800MHz 512K (models)	45R8341	N
2	Microprocessor, Q9550 Yorkfield 2.83GHZ 1333FSB 12M 4/4 L2 95W C1 stepping (models)	45C7739	N
2	Microprocessor, Q9450 Yorkfield 2.66GHZ 1333FSB 12M 4/4 L2 95W C1 stepping (models)	45C7740	N
2	Microprocessor, Q9300 Yorkfield 2.50GHZ 1333FSB 6M 4/4 L2 95W M1 stepping (models)	45C7741	N
2	Microprocessor, Wolfdale Core 2 Duo E7300 Processor 2.66GHz 1066MHz FSB 3M L2 65W M0 Stepping (models)	46R1622	N
2	Microprocessor, Dual Core E1600 Processor 2.4GHz 800MHz 512K L2 65W M0 Stepping Level (models)	46R1655	N
2	Microprocessor, Core 2 Duo E2180 Processor 2.0GHz 800MHz FSB 1M L2 (models)	45C1773	N
3	Memory module, 512 MB PC2-5300 (667MHz) DDR2 SDRAM (models)	41X4255	2

Item #	9326 FRUs	FRU#	CRU Tier
3	Memory module, 1 GB PC2-5300 (667MHz) DDR2 SDRAM (models A1U A11F A1S A1P A1L A1D A1Y A1G A1M A1A A1Q A1T A1C A1B A1H A1V A1K A1R A1E A1J)	41X4256	2
3	Memory module, 2 GB PC2-5300 (667MHz) DDR2 SDRAM (models)	41X4257	2
3	Memory module, 512 MB PC2-6400 (800MHz) DDR2 SDRAM (models)	41X1079	2
3	Memory module, 1GB PC-6400 (800MHz) DDR2 SDRAM (models)	41X1080	2
3	Memory module, 2GB PC-6400 (800MHz) DDR2 SDRAM (models)	41X1081	2
4	DVD-ROM Drive - 16x/48x - SATA XP and Vista (models A1U A1F A1S A1P A1G A1M A1A A1Q A1T A1C A1B A1H A1V A1K A1J A1E)	41N3325	2
4	DVD-ROM/CD-RW Combo Drive - 48x/32x/48x/16x (models A1U A11F A1S A1P A1L A1D A1Y A1G A1M A1A A1Q A1T A1C A1B A1H A1V A1K A1R A1E A1J)	42Y9353	2
4	DVD-Recordable /CD-RW Rambo 8 (models)	43C1042	2
5	Diskette drive, 3,5", 1.44MB, 3Mode,(w/bezel) (models)	40Y9105	2
5	Diskette drive, 3,5", 1.44MB, 3Mode,(w/bezel) (models)	40Y9107	2
6	Bezel assembly (all models)	41N8052	2
7	Power switch/LED assembly (all models)	41N5284	2
8	Speaker assembly, soldered terminals (all models)	39P5023	2
9	Front audio/USB assembly (all models)	41N8054	2
10	Hard disk drive, 160GB (7200RPM), Serial ATA (models A1U A1F A1D A1P A1G A1M A1A A1Q A1T A1C A1B A1H A1V A1K A1J A1E)	40Y9035	2
10	Hard disk drive, 80GB Hard Drive (7200RPM) Serial ATA (models)	40Y9034	2
10	Hard disk drive, 250 GB 7200rpm SATA (models)	40Y9036	2
10	Hard disk drive, 320 GB 7200rpm SATA (models)	87H4891	2
10	Hard disk drive, 500GB Hard Drive (7200RPM) Serial ATA (models)	41X5582	2
11	System board, Tamdhu II - Saturn non AMT(GA) support 45nm processor (Hard from 45R5312) (models A1U A11F A1S A1P A1L A1D A1Y A1G A1M A1A A1Q A1T A1C A1B A1H A1V A1K A1R A1E A1J)	46R1842	N
11	System board, Tamdhu II - Saturn AMT(GA) support 45nm processor (Hard from 45R5313) (models)	46R1843	N
12	Fan, Rear (4pin) Included in chassis shell (all models)	41R6269	2
13	Power supply, 280 Watt ATX Power Supply - Standard, Robust (models)	41A9684	2
13	Power supply, 310 Watt ATX Power Supply - Standard, Robust, JP (models)	41A9726	2
13	Power supply, 280 Watt ATX Power Supply (80plus) - Standard, Robust, JP (models)	41A9665	2

The FRUs listed in the following tables are not illustrated.

	9326 FRUs	FRU#	CRU Tier
	Shield, 5.25 EMC (all models)	41N8080	2
	Shield, diskette drive EMC (all models)	41N8078	2
	Cable, Diskette drive (RoHs) (all models)	41A7182	2
	Kit, Miscellaneous hardware (all models)	41N8055	2
	Retainer, Card Reader (all models)	41R2913	2
	Optional HDD Bracket Asm, without 4Pin cable (all models)	41R6106	2

9326 FRUs	FRU#	CRU Tier
Intrusion Switch asm (all models)	41R6116	2
Bezel, without IBM mark (all models)	41R6243	2
Cover, left side (all models)	41N8050	1
Chassis without IBM mark (all models)	41R6241	N
Hard disk drive tray (all models)	41R6291	2
Fan, front (all models)	41R4791	2
SATA cable,457mm,1 latching for device,RoHS (all models)	43N9013	2
SATA cable,250mm,1 latching for device,RoHS (all models)	43N9012	2
Fru-Cable, Temp Sense Cable (460mm) (all models)	41R2509	2
FRU - Blank 5.25" Bezel (all models)	41N8077	2

9326 Keyboards (USB Preferred - without hub)	FRU#	CRU Tier
US English (models A1U A1G A1M A1A A1Q A1H A1R A1E)	41A5289	1
Arabic (models A1G)	41A5290	1
Arabic/French (models)	41A5291	1
Belgian/French (models A1G)	41A5292	1
Belgian/UK (models A1G)	41A5293	1
Brazilian (models A1P)	41A5294	1
Bulgarian (models A1G)	41A5295	1
Chinese/US (models A1B A1V)	41A5296	1
Czech (models A1G)	41A5297	1
Danish (models A1G)	41A5298	1
Dutch (models A1G)	41A5299	1
French (models A1G)	41A5300	1
French Canadian 445 (models A1F)	41A5301	1
French Canadian 58 (models A1F)	41A5302	1
German (models A1G)	41A5303	1
Greek (models A1G)	41A5304	1
Greek/US (models A1G)	41A5305	1
Hebrew (models A1G)	41A5306	1
Hungarian (models A1G)	41A5307	1
Iceland (models A1G)	41A5308	1
Japanese (models A1J)	41A5310	1
Korean (models A1K)	41A5311	1
LA Spanish (models A1S A1D A1Y)	41A5312	1
Italian 141 (models A1G)	41A5309	1
Norwegian (models A1G)	41A5313	1
Polish (models A1G)	41A5314	1
Portuguese (models A1G)	41A5315	1
Romanian 096 (models A1G)	41A5317	1
Romanian 446 (models A1G)	41A5316	1

<b>9326 Keyboards (USB Preferred - without hub)</b>	<b>FRU#</b>	<b>CRU Tier</b>
Russian/Cyrillic (models A1G)	41A5318	1
Serbian/Cyrillic (models A1G)	41A5319	1
Slovak (models A1G)	41A5320	1
Spanish (models A1G)	41A5321	1
Swedish/Finn (models A1G)	41A5322	1
Swiss (models A1G)	41A5323	1
Thailand (models A1T)	41A5324	1
Turkish 440 (models A1G)	41A5325	1
Turkish 179 (models A1G)	41A5326	1
UK English (models A1G)	41A5327	1
US Euro (models A1G)	41A5328	1
Slovenian (models A1G)	41A5329	1

<b>9326 Keyboards (Fingerprint Reader USB)</b>	<b>FRU#</b>	<b>CRU Tier</b>
US English (models)	41A5248	1
Arabic (models)	41A5249	1
Arabic/French (models)	41A5250	1
Belgian/French (models)	41A5251	1
Belgian/UK (models)	41A5252	1
Brazil/Portuguese (models)	41A5253	1
Bulgarian (models)	41A5254	1
Chinese (models)	41A5255	1
Czech (models)	41A5256	1
Danish (models)	41A5257	1
Dutch (models)	41A5258	1
French (models)	41A5259	1
French Canadian 445 (models)	41A5260	1
French Canadian 58 (models)	41A5261	1
German (models)	41A5262	1
Greek (models)	41A5263	1
Greek/US (models)	41A5264	1
Hebrew (models)	41A5265	1
Hungarian (models)	41A5266	1
Iceland (models)	41A5267	1
Italian 141 (models)	41A5268	1
Japanese (models)	41A5269	1
Korean (models)	41A5270	1
LA Spanish (models)	41A5271	1
Norwegian (models)	41A5272	1
Polish (models)	41A5273	1
Portuguese (models)	41A5274	1

<b>9326 Keyboards (Fingerprint Reader USB)</b>	<b>FRU#</b>	<b>CRU Tier</b>
Romanian 096 (models)	41A5275	1
Romanian 446 (models)	41A5276	1
Russian/Cyrillic (models)	41A5277	1
Serbian/Cyrillic (models)	41A5278	1
Slovak (models)	41A5279	1
Spanish (models)	41A5280	1
Swedish/Finn (models)	41A5281	1
Swiss (models)	41A5282	1
Thailand (models)	41A5283	1
Turkish 440 (models)	41A5284	1
Turkish 179 (models)	41A5285	1
UK English (models)	41A5286	1
US Euro (models)	41A5287	1
Slovenian (models)	41A5288	1

<b>9326 mice</b>	<b>FRU#</b>	<b>CRU Tier</b>
Optical Wheel Mouse (400DPI, USB) (models A1U A1F A1S A1P A1G A1M A1A A1Q A1T A1C A1B A1H A1V A1K A1J A1E)	41U3013	1
Optical Wheel Mouse (400DPI, USB) (models A1U A1F A1S A1P A1G A1M A1A A1Q A1T A1C A1B A1H A1V A1K A1J A1E)	41U3030	1

<b>9326 Adapters and miscellaneous FRUs</b>	<b>FRU#</b>	<b>CRU</b>
IEEE 1394 Firewire Adapter (ATX) (models CTO)	41D2781	2
Speaker Power brick - US, Canada, LA low voltage, ASEAN (models A1U A1S A1A)	89P8571	1
Speaker Power brick - LA high voltage (non-APU) (models A1D)	89P8575	1
Speaker Power brick - China, Thailand (models A1T A1C)	89P8581	1
Speaker Power brick - Japan (models A1J)	89P8577	1
Speaker Power brick - ANZ (models A1M)	89P8579	1
Speaker Power brick - Brazil (models A1P)	89P8583	1
Speaker Power brick - Argentina (models)	41A4901	1
Speaker Brick - Korea (models A1K)	41A4903	1
Speaker Power brick - Hong Kong, Malaysia, Singapore, UK, Brunei (models A1H A1B A1G)	89P8573	1
Speaker Brick - Taiwan (models A1V)	41A4905	1
Speaker Power brick - India, South Africa (models A1Q)	89P8585	1
ATI HD 2600XT(RV630XT) 512MB 128BIT ATX, PCIe x16, Dual DVI-I/S-Video (models)	43C0261	2
DVI-VGA Dongle (models)	45C7816	1
USB2.0 MEMORY CARDREADER,6X2,ROHS (models)	45R1883	2
ODD/FDD/Cardreader Retainers (all models)	43N9351	2
Dongle DMS-59 to dual VGA cable (models)	42Y8181	1
Dongle DMS-59 to single VGA & singleDVI cable (models)	42Y8183	1
Dongle DMS-59 to dual DVI - I cable (models)	41X6398	1

9326 Adapters and miscellaneous FRUs	FRU#	CRU
ATI RV610 256M LP, PCIe x16, DMS59/S-Video (models)	46R4160	2
ATI RV610 128M ATX, PCIe x16, DMS59/S-Video (models)	46R4159	2
New Casper DVI-D card,full height, support HDCP (models)	43C0258	2

9326 Power Cords	FRU#	CRU Tier
Line Cord - US (models A1U A1F A1S A1D A1L A1A A1T)	41R3184	1
Line Cord - US (models A1U A1F A1S A1D A1L A1A A1T)	41R3185	1
Line Cord - China (models A1C)	41R3256	1
Line Cord - China (models A1C)	41R3257	1
Line Cord - Brazil (models A1P)	41R3270	1
Line Cord - Brazil (models A1P)	41R3271	1
Line Cord - LA High Volt (APU) (models A1Y A1L )	41R3176	1
Line Cord - LA High Volt (APU) (models A1Y A1L )	41R3177	1
Line Cord - Korea (models A1K A1R)	41R3260	1
Line Cord - Korea (models A1K A1R)	41R3261	1
Line Cord - UK, Ireland, Singapore, Malaysia, Brunei (models A1G A1A)	41R3224	1
Line Cord - UK, Ireland, Singapore, Malaysia, Brunei (models A1G A1A)	41R3225	1
Line Cord - Taiwan (models A1V)	41R3278	1
Line Cord - Taiwan (models A1V)	41R3279	1
Line Cord - Italy (models A1S A1Y A1L A1G)	41R3232	1
Line Cord - Italy (models A1S A1Y A1L A1G)	41R3233	1
Line Cord - Indonesia, Laos, Cambodia, and Vietnam (models A1A)	41R3208	1
Line Cord - Indonesia, Laos, Cambodia, and Vietnam (models A1A)	41R3209	1
Line Cord - Denmark (models A1G)	41R3212	1
Line Cord - Denmark (models A1G)	41R3213	1
Line Cord - Switzerland (models A1G)	41R3228	1
Line Cord - Switzerland (models A1G)	41R3229	1
Line Cord - Israel (models A1G)	41R3236	1
Line Cord - Israel (models A1G)	41R3237	1
Line Cord - South Africa (models A1M )	41R3220	1
Line Cord - South Africa (models A1M )	41R3221	1
Line Cord - India (models A1Q)	41R3341	1
Line Cord - India (models A1Q)	41R3175	1
Line Cord - Japan (models A1E A1J )	41R3248	1
Line Cord - Japan (models A1E A1J )	41R3249	1
Line Cord - ANZ (models A1M )	41R3196	1
Line Cord - ANZ (models A1M )	41R3197	1
Line Cord - Hong Kong (models A1B A1H )	41R3224	1
Line Cord - Hong Kong (models A1B A1H )	41R3225	1



9326 Windows XP Home Recovery CDs	FRU#	CRU
English (models)	45R6005	1
French (models)	45R6006	1
German (models)	45R6007	1
Spanish (models)	45R6008	1
Brazil (models)	45R6009	1
Italian (models)	45R6010	1
Japanese (models)	45R6011	1
Norwegian (models)	45R6012	1
Swedish (models)	45R6013	1
Danish (models)	45R6014	1
Dutch (models)	45R6015	1
Czech (models)	45R6016	1
Finnish (models)	45R6017	1
Hebrew (models)	45R6018	1
Polish (models)	45R6019	1
Arabic (models)	45R6020	1
Russian (models)	45R6021	1
Turkish (models)	45R6022	1
Hungarian (models)	45R6023	1
Greek (models)	45R6024	1
Simplified Chinese (models)	45R6025	1
Taiwan (models)	45R6026	1
HongKong (models)	45R6027	1
Korea (models)	45R6028	1
Russian English (models)	45R6029	1
Portuguese (models)	45R6030	1

9326 Windows XP Pro Recovery CDs	FRU#	CRU
English (models)	45R5979	1
French (models)	45R5980	1
German (models)	45R5981	1
Spanish (models)	45R5982	1
Brazil (models)	45R5983	1
Italian (models)	45R5984	1
Japanese (models)	45R5985	1
Norwegian (models)	45R5986	1
Swedish (models)	45R5987	1
Danish (models)	45R5988	1
Dutch (models)	45R5989	1
Czech (models)	45R5990	1
Finnish (models)	45R5991	1

9326 Windows XP Pro Recovery CDs	FRU#	CRU
Hebrew (models)	45R5992	1
Polish (models)	45R5993	1
Arabic (models)	45R5994	1
Russian (models)	45R5995	1
Turkish (models)	45R5996	1
Hungarian (models)	45R5997	1
Greek (models)	45R5998	1
Simplified Chinese (models)	45R5999	1
Taiwan (models)	45R6000	1
HongKong (models)	45R6001	1
Korea (models)	45R6002	1
Russian English (models)	45R6003	1
Portuguese (models)	45R6004	1
MUL 1 - EN, NL, FR, GR, IT (models)	45R5977	1
MUL 2 - EN, DK, FI, NO, SV (models)	45R5978	1

9326 Vista Home Basic 32 Recovery DVDs	FRU#	CRU
English (models A1U A1G A1M A1A A1Q A1H A1R A1E)	46R7098	1
Russian English (models A1G)	46R7099	1
French (models A1G)	46R7100	1
German (models A1G)	46R7101	1
Spanish (models A1S)	46R7102	1
Brazilian (models A1P)	46R7103	1
Italian (models A1G)	46R7104	1
Japanese (models A1J)	46R7105	1
Norwegian (models A1G)	46R7106	1
Swedish (models A1G)	46R1086	1
Danish (models A1G)	46R7107	1
Dutch (models A1G)	46R1088	1
Czech (models A1G)	46R1089	1
Finnish (models A1G)	46R1090	1
Polish (models A1G)	46R1091	1
Russian (models A1G)	46R7108	1
Turkish (models A1G)	46R1093	1
Hungarian (models A1G)	46R1094	1
Greek (models A1G)	46R1095	1
Simplified Chinese (models A1C)	46R7109	1
Taiwan (models A1V)	46R7110	1
HongKong (models A1H)	46R7111	1
Korea (models A1K)	46R1099	1
Slovenian (models A1G)	46R1100	1

<b>9326 Vista Home Basic 32 Recovery DVDs</b>	<b>FRU#</b>	<b>CRU</b>
Hebrew (models A1G)	46R1101	1
Portuguese (models A1G)	46R1102	1
Arabic Localized (models A1G)	46R1103	1
Slovakia (models A1G)	46R1104	1

<b>9326 Vista Business 32 Recovery DVDs</b>	<b>FRU#</b>	<b>CRU</b>
English (models)	46R7070	1
Russian English (models)	46R7071	1
French (models)	46R7072	1
German (models)	46R7073	1
Spanish (models)	46R7074	1
Brazilian (models)	46R7075	1
Italian (models)	46R7076	1
Japanese (models)	46R7077	1
Norwegian (models)	46R7078	1
Swedish (models)	46R1028	1
Danish (models)	46R7079	1
Dutch (models)	46R1030	1
Czech (models)	46R1031	1
Finnish (models)	46R1032	1
Polish (models)	46R1033	1
Russian (models)	46R7080	1
Turkish (models)	46R1035	1
Hungarian (models)	46R1036	1
Greek (models)	46R1037	1
Simplified Chinese (models)	46R7081	1
Traditional Chinese (models)	46R7082	1
Traditional Chinese (models)	46R7083	1
Korean (models)	46R1041	1
Slovenian (models)	46R1042	1
Romanian (models)	46R1043	1
Portuguese (models)	46R1044	1
Sebian-Latin (models)	46R1045	1
Slovakian (models)	46R1046	1
Arabic Localized (models)	46R1047	1
Hebrew (models)	46R1048	1

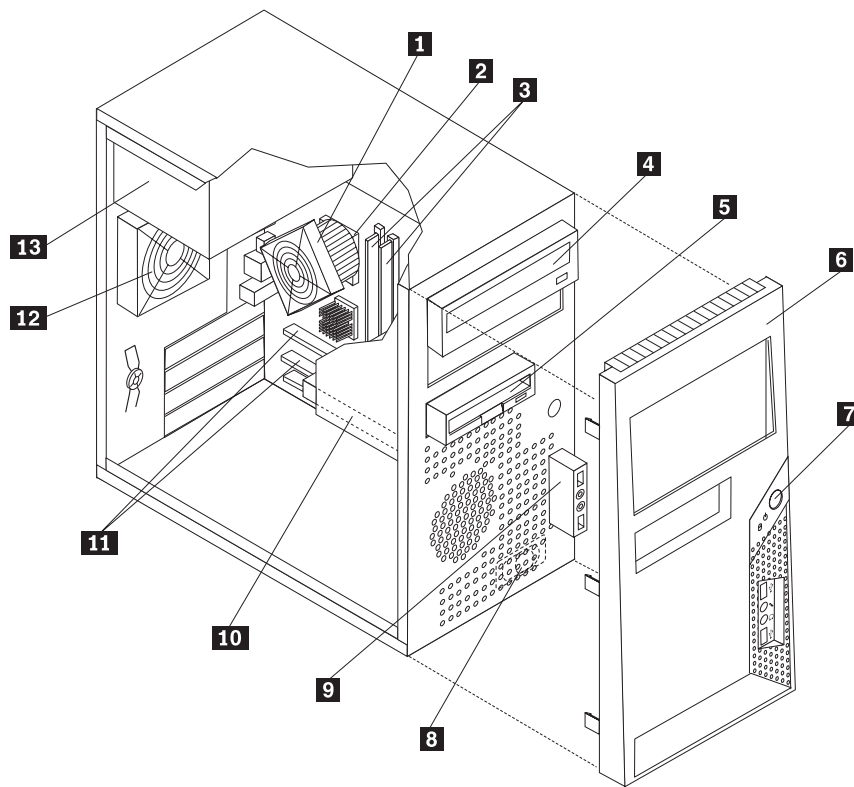
<b>9326 Vista Ultimate 32 Recovery DVDs</b>	<b>FRU#</b>	<b>CRU</b>
English (models)	45R5949	1
Russian English (models)	45R5950	1
French (models)	45R5951	1

9326 Vista Ultimate 32 Recovery DVDs	FRU#	CRU
German (models)	45R5952	1
Spanish (models)	45R5953	1
Brazilian (models)	45R5954	1
Italian (models)	45R5955	1
Japanese (models)	45R5956	1
Norwegian (models)	45R5957	1
Swedish (models)	45R5958	1
Danish (models)	45R5959	1
Dutch (models)	45R5960	1
Czech (models)	45R5961	1
Finnish (models)	45R5962	1
Polish (models)	45R5963	1
Russian (models)	45R5964	1
Turkish (models)	45R5965	1
Hungarian (models)	45R5966	1
Greek (models)	45R5967	1
Simplified Chinese (models)	45R5968	1
Traditional Chinese (models)	45R5969	1
Traditional Chinese (models)	45R5970	1
Korean (models)	45R5971	1
Slovenian (models)	45R5972	1
Hebrew (models)	45R5973	1
Portuguese (models)	45R5974	1
Slovakian (models)	45R5975	1
Arabic Localized (models)	45R5976	1

9326 XP Pro Recovery DVDs	FRU#	CRU
English (models)	45R8811	1
French (models)	45R8812	1
German (models)	45R8813	1
Spanish (models)	45R8814	1
Brazil (models)	45R8815	1
Italian (models)	45R8816	1
Japanese (models)	45R8817	1
Norwegian (models)	45R8818	1
Swedish (models)	45R8819	1
Danish (models)	45R8820	1
Dutch (models)	45R8821	1
Czech (models)	45R8822	1
Finnish (models)	45R8823	1
Hebrew (models)	45R8824	1

9326 XP Pro Recovery DVDs	FRU#	CRU
Polish (models)	45R8825	1
Arabic (models)	45R8826	1
Russian (models)	45R8827	1
Turkish (models)	45R8828	1
Hungarian (models)	45R8829	1
Greek (models)	45R8830	1
Simplified Chinese (models)	45R8831	1
Taiwan (models)	45R8832	1
HongKong (models)	45R8833	1
Korea (models)	45R8834	1
Russian English (models)	45R8835	1
Portuguese (models)	45R8836	1
Slovenian (models)	45R8837	1

## Machine Type 9978



Item #	9978 FRUs	FRU#	CRU Tier
1	Intel 65W/95w heatsink (all models)	43N9309	2
2	Microprocessor, Conroe E6300 Processor 1.86GHz 1066MHz FSB 2M L2 (models)	41X2495	N
2	Microprocessor, Core 2 Duo E6320 Processor 1.86GHz 1066MHz FSB 4M L2 (models)	43C3829	N
2	Microprocessor, Conroe E6400 Processor 2.13GHz 1066MHz FSB 2M L2 (models)	41X2496	N
2	Microprocessor, Core 2 Duo E6420 Processor 2.13GHz 1066MHz FSB 4M L2 (models)	43C3831	N
2	Microprocessor, Core 2 Duo E6550 Processor 2.33GHz 1333MHz FSB 4M L2 (models)	43C3833	N
2	Microprocessor, Conroe E6600 Processor 2.40GHz 1066MHz FSB 4M L2 (models)	41X5743	N
2	Microprocessor, Conroe E6700 Processor 2.67GHz 1066MHz FSB 4M L2 (models)	41X5744	N
2	Microprocessor, Core 2 Duo E6750 Processor 2.66GHz 1333MHz FSB 4M L2 G-0 Stepping Level, Mainstream/Value FMB, TXT support (models)	43C1693	N
2	Microprocessor, Core 2 Duo E6850 Processor 3GHz 1333MHz FSB 4M L2 G-0 Stepping Level, Mainstream/Value FMB, TXT support (models)	43C1694	N
2	Microprocessor, Core 2 Duo E2140 Processor 1.6GHz 800MHz FSB 1M L2 (models)	43C1967	N
2	Microprocessor, Core 2 Duo E2160 Processor 1.8GHz 800MHz FSB 1M L2 Core 2 Duo E2160 Processor 1.8GHz 800MHz FSB 1M L2 (models)	43C1968	N
2	Microprocessor, Core 2 Duo E4300 Processor 1.8GHz 800MHz FSB 2M L2 (models)	42Y8009	N
2	Microprocessor, Core 2 Duo E4400 Processor 2.0GHz 800MHz FSB 2M L2L-2 Stepping Level, Mainstream/Value FMB/ M0 Stepping Level, Mainstream/Value FMB (models)	43C2056	N

Item #	9978 FRUs	FRU#	CRU Tier
2	Microprocessor, Core 2 Duo E4500 Processor 2.2GHz 800MHz FSB 2M L2 (models)	43C6305	N
2	Microprocessor, Core 2 Duo E2220 Processor 2.4GHz 800MHz FSB 1M L2 65W (models)	45C1774	N
2	Microprocessor, Core 2 Duo E4700 Processor 2.6GHz 800MHz 2M 65W (models)	45R5786	N
2	Microprocessor, Core 2 Duo E6540 Processor 2.33GHz 1333MHz FSB 4M L2 (models)	43C6307	N
2	Microprocessor, Celeron 420 Processor 1.6GHz 800MHz FSB 512K L2 (models)	43C3835	N
2	Microprocessor, Celeron 430 Processor 1.8GHz 800MHz FSB 512K L2 (models)	43C1964	N
2	Microprocessor, Celeron 440 Processor 2.0GHz 800MHz FSB 512K L2 (models)	43C1965	N
2	Microprocessor, Q6600 KENTSFIELD G-0 8MB 4c LGA 2.4GHZ 1066FSB G-0 Stepping Level, 95W (models)	43C1695	N
2	Microprocessor, Q6700 KENTSFIELD G-0 8MB 4c LGA G-0 Stepping Level, 95W 2.66GHZ 1066FSB (models)	43C6309	N
2	Microprocessor, Core 2 Duo E4600 Processor 2.4GHz 800MHz FSB 2M L2 M-0 Stepping Level, Mainstream/Value FMB (models)	45C5282	N
2	Microprocessor, Core 2 Duo E2200 Processor 2.2GHz 800MHz FSB 1M L2 M-0 Stepping Level, Mainstream/Value FMB (models)	45C5349	N
2	Microprocessor, Core 2 Duo E8500 Processor 3.16GHz 1333MHz FSB 6M L2 65W (models)	45C7735	N
2	Microprocessor, Core 2 Duo E8400 Processor 3.0GHz 1333MHz FSB 6M L2 65W (models A2U A2F)	45C7736	N
2	Microprocessor, Core 2 Duo E8300 Processor 2.83GHz 1333MHz FSB 6M L2 65W (models)	45C7737	N
2	Microprocessor, Core 2 Duo E8200 Processor 2.66GHz 1333MHz FSB 6M L2 65W (models)	45C7738	N
2	Microprocessor, Core2 Duo E8190 Processor 1333/2600MHz 6M L2 65W Non vPro (models)	45R2568	N
2	Microprocessor, Core 2 Duo E7200 Processor 2.53GHz 1066MHz 3M L2 65W (models A1U A1F)	45R8337	N
2	Microprocessor, Dual Core E1400 Processor 2.0GHz 800MHz 512K L2 65W (models)	45R8339	N
2	Microprocessor, Dual Core E1200 Processor 1.6GHz 800MHz 512K (models)	45R8341	N
2	Microprocessor, Q9550 Yorkfield 2.83GHZ 1333FSB 12M 4/4 L2 95W C1 stepping (models)	45C7739	N
2	Microprocessor, Q9450 Yorkfield 2.66GHZ 1333FSB 12M 4/4 L2 95W C1 stepping (models)	45C7740	N
2	Microprocessor, Q9300 Yorkfield 2.50GHZ 1333FSB 6M 4/4 L2 95W M1 stepping (models A3G A4G)	45C7741	N
2	Microprocessor, Wolfdale Core 2 Duo E7300 Processor 2.66GHz 1066MHz FSB 3M L2 65W M0 Stepping (models)	46R1622	N
2	Microprocessor, Dual Core E1600 Processor 2.4GHz 800MHz 512K L2 65W M0 Stepping Level (models)	46R1655	N
2	Microprocessor, Core 2 Duo E2180 Processor 2.0GHz 800MHz FSB 1M L2 (models)	45C1773	N
3	Memory module, 512 MB PC2-5300 (667MHz) DDR2 SDRAM (models)	41X4255	2
3	Memory module, 1 GB PC2-5300 (667MHz) DDR2 SDRAM (models A3G A1U A1F A2U A2F A4G)	41X4256	2
3	Memory module, 2 GB PC2-5300 (667MHz) DDR2 SDRAM (models)	41X4257	2

Item #	9978 FRUs	FRU#	CRU Tier
3	Memory module, 512 MB PC2-6400 (800MHz) DDR2 SDRAM (models)	41X1079	2
3	Memory module, 1GB PC-6400 (800MHz) DDR2 SDRAM (models)	41X1080	2
3	Memory module, 2GB PC-6400 (800MHz) DDR2 SDRAM (models)	41X1081	2
4	DVD-ROM Drive - 16x/48x - SATA XP and Vista (models)	41N3325	2
4	DVD-ROM/CD-RW Combo Drive - 48x/32x/48x/16x (models)	42Y9353	2
4	DVD-Recordable /CD-RW Rambo 8 (models A3G A1U A1F A2U A2F A4G)	43C1042	2
5	Diskette drive, 3,5", 1.44MB, 3Mode,(w/bezel) (models)	40Y9105	2
5	Diskette drive, 3,5", 1.44MB, 3Mode,(w/bezel) (models)	40Y9107	2
6	Bezel assembly (all models)	41N8052	2
7	Power switch/LED assembly (all models)	41N5284	2
8	Speaker assembly, soldered terminals (all models)	39P5023	2
9	Front audio/USB assembly (all models)	41N8054	2
10	Hard disk drive, 160GB (7200RPM), Serial ATA (models A3G A1U A1F A2U A2F)	40Y9035	2
10	Hard disk drive, 80GB Hard Drive (7200RPM) Serial ATA (models)	40Y9034	2
10	Hard disk drive, 250 GB 7200rpm SATA (models)	40Y9036	2
10	Hard disk drive, 320 GB 7200rpm SATA (models)	87H4891	2
10	Hard disk drive, 500GB Hard Drive (7200RPM) Serial ATA (models A4G)	41X5582	2
11	System board, Tamdhu II - Saturn non AMT(GA) support 45nm processor (Hard from 45R5312) (models A3G A1U A1F A2U A2F A4G)	46R1842	N
11	System board, Tamdhu II - Saturn AMT(GA) support 45nm processor (Hard from 45R5313) (models)	46R1843	N
12	Fan, Rear (4pin) Included in chassis shell (all models)	41R6269	2
13	Power supply, 280 Watt ATX Power Supply - Standard, Robust (models A3G A1U A1F A2U A2F A4G)	41A9684	2
13	Power supply, 310 Watt ATX Power Supply - Standard, Robust, JP (models A3G A1U A1F A2U A2F A4G)	41A9726	2
13	Power supply, 280 Watt ATX Power Supply (80plus) - Standard, Robust, JP (models)	41A9665	2

The FRUs listed in the following tables are not illustrated.

9978 FRUs	FRU#	CRU Tier
Shield, 5.25 EMC (all models)	41N8080	2
Shield, diskette drive EMC (all models)	41N8078	2
Cable, Diskette drive (RoHs) (all models)	41A7182	2
Kit, Miscellaneous hardware (all models)	41N8055	2
Retainer, Card Reader (all models)	41R2913	2
Optional HDD Bracket Asm, without 4Pin cable (all models)	41R6106	2
Intrusion Switch asm (all models)	41R6116	2
Bezel, without IBM mark (all models)	41R6243	2
Cover, left side (all models)	41N8050	1
Chassis without IBM mark (all models)	41R6241	N
Hard disk drive tray (all models)	41R6291	2



9978 FRUs	FRU#	CRU Tier
Fan, front (all models)	41R4791	2
SATA cable,457mm,1 latching for device,RoHS (all models)	43N9013	2
SATA cable,250mm,1 latching for device,RoHS (all models)	43N9012	2
Fru-Cable, Temp Sense Cable (460mm) (all models)	41R2509	2
FRU - Blank 5.25" Bezel (all models)	41N8077	2

9978 Keyboards (USB Preferred - without hub)	FRU#	CRU Tier
US English (models A3G A1U A2U A4G)	41A5289	1
Arabic (models)	41A5290	1
Arabic/French (models A3G A4G)	41A5291	1
Belgian/French (models A3G A4G)	41A5292	1
Belgian/UK (models A3G A4G)	41A5293	1
Brazilian (models)	41A5294	1
Bulgarian (models A3G A4G)	41A5295	1
Chinese/US (models)	41A5296	1
Czech (models A3G A4G)	41A5297	1
Danish (models A3G A4G)	41A5298	1
Dutch (models A3G A4G)	41A5299	1
French (models A3G A4G)	41A5300	1
French Canadian 445 (models A1F A2F A4G)	41A5301	1
French Canadian 58 (models A3G A4G)	41A5302	1
German (models A3G A4G)	41A5303	1
Greek (models A3G A4G)	41A5304	1
Greek/US (models A3G A4G)	41A5305	1
Hebrew (models A3G A4G)	41A5306	1
Hungarian (models A3G A4G)	41A5307	1
Iceland (models A3G A4G)	41A5308	1
Japanese (models)	41A5310	1
Korean (models)	41A5311	1
LA Spanish (models)	41A5312	1
Italian 141 (models A3G A4G)	41A5309	1
Norwegian (models A3G A4G)	41A5313	1
Polish (models A3G A4G)	41A5314	1
Portuguese (models A3G A4G)	41A5315	1
Romanian 096 (models A3G A4G)	41A5317	1
Romanian 446 (models A3G A4G)	41A5316	1
Russian/Cyrillic (models A3G A4G)	41A5318	1
Serbian/Cyrillic (models A3G A4G)	41A5319	1
Slovak (models A3G A4G)	41A5320	1
Spanish (models A3G A4G)	41A5321	1
Swedish/Finn (models A3G A4G)	41A5322	1

9978 Keyboards (USB Preferred - without hub)	FRU#	CRU Tier
Swiss (models A3G A4G)	41A5323	1
Thailand (models)	41A5324	1
Turkish 440 (models A3G A4G)	41A5325	1
Turkish 179 (models A3G A4G)	41A5326	1
UK English (models A3G A4G)	41A5327	1
US Euro (models A3G A4G)	41A5328	1
Slovenian (models A3G A4G)	41A5329	1

9978 Keyboards (Fingerprint Reader USB)	FRU#	CRU Tier
US English (models)	41A5248	1
Arabic (models)	41A5249	1
Arabic/French (models)	41A5250	1
Belgian/French (models)	41A5251	1
Belgian/UK (models)	41A5252	1
Brazil/Portuguese (models)	41A5253	1
Bulgarian (models)	41A5254	1
Chinese (models)	41A5255	1
Czech (models)	41A5256	1
Danish (models)	41A5257	1
Dutch (models)	41A5258	1
French (models)	41A5259	1
French Canadian 445 (models)	41A5260	1
French Canadian 58 (models)	41A5261	1
German (models)	41A5262	1
Greek (models)	41A5263	1
Greek/US (models)	41A5264	1
Hebrew (models)	41A5265	1
Hungarian (models)	41A5266	1
Iceland (models)	41A5267	1
Italian 141 (models)	41A5268	1
Japanese (models)	41A5269	1
Korean (models)	41A5270	1
LA Spanish (models)	41A5271	1
Norwegian (models)	41A5272	1
Polish (models)	41A5273	1
Portuguese (models)	41A5274	1
Romanian 096 (models)	41A5275	1
Romanian 446 (models)	41A5276	1
Russian/Cyrillic (models)	41A5277	1
Serbian/Cyrillic (models)	41A5278	1
Slovak (models)	41A5279	1

9978 Keyboards (Fingerprint Reader USB)	FRU#	CRU Tier
Spanish (models)	41A5280	1
Swedish/Finn (models)	41A5281	1
Swiss (models)	41A5282	1
Thailand (models)	41A5283	1
Turkish 440 (models)	41A5284	1
Turkish 179 (models)	41A5285	1
UK English (models)	41A5286	1
US Euro (models)	41A5287	1
Slovenian (models)	41A5288	1

9978 mice	FRU#	CRU Tier
Optical Wheel Mouse (400DPI, USB) (all models)	41U3013	1
Optical Wheel Mouse (400DPI, USB) (all models)	41U3030	1
PS/2 Three Button ball mouse (models)	41R0018	1

9978 Adapters and miscellaneous FRUs	FRU#	CRU
IEEE 1394 Firewire Adapter (ATX) (models CTO)	41D2781	2
Soft Modem V.90/V.44 -ATX (models)	29R9729	2
Speakers, Lenovo Branded (models)	41A5334	1
Speaker Power brick - US, Canada, LA low voltage, ASEAN (models A1U A2U)	89P8571	1
Speaker Power brick - LA high voltage (non-APU) (models)	89P8575	1
Speaker Power brick - China, Thailand (models)	89P8581	1
Speaker Power brick - Japan (models)	89P8577	1
Speaker Power brick - ANZ (models)	89P8579	1
Speaker Power brick - Brazil (models)	89P8583	1
Speaker Brick - Korea (models)	41A4903	1
Speaker Power brick - Hong Kong, Malaysia, Singapore, UK, Brunei (models A3G)	89P8573	1
Speaker Brick - Taiwan (models)	41A4905	1
Speaker Power brick - India, South Africa (models)	89P8585	1
Thermal Grease Syringe (models)	91P8835	N
ATI HD 2600XT(RV630XT) 512MB 128BIT ATX, PCIe x16, Dual DVI-I/S-Video (models)	43C0261	2
DVI-VGA Dongle (models)	45C7816	1
USB2.0 MEMORY CARDREADER,6X2,ROHS (models)	45R1883	2
ODD/FDD/Cardreader Retainers (all models)	43N9351	2
20-in-1 Card Reader (all models)	45R8139	2
Temp Sense Cable (165 mm) (all models)	43N9079	2
Dongle DMS-59 to dual VGA cable (models)	42Y8181	1
Dongle DMS-59 to single VGA & singleDVI cable (models)	42Y8183	1
Dongle DMS-59 to dual DVI - I cable (models)	41X6398	1
ATI RV610 256M LP, PCIe x16, DMS59/S-Video (models)	46R4160	2
ATI RV610 128M ATX, PCIe x16, DMS59/S-Video (models)	46R4159	2

9978 Adapters and miscellaneous FRUs	FRU#	CRU
New Casper DVI-D card,full height, support HDCP (models A3G A4G)	43C0258	2

9978 Power Cords	FRU#	CRU Tier
Line Cord - US (models A1U A1F A2U A2F)	41R3184	1
Line Cord - US (models A1U A1F A2U A2F)	41R3185	1
Line Cord - China (models)	41R3256	1
Line Cord - China (models)	41R3257	1
Line Cord - Brazil (models)	41R3270	1
Line Cord - Brazil (models)	41R3271	1
Line Cord - LA High Volt (APU) (models)	41R3176	1
Line Cord - LA High Volt (APU) (models)	41R3177	1
Line Cord - Korea (models)	41R3260	1
Line Cord - Korea (models)	41R3261	1
Line Cord - UK, Ireland, Singapore, Malaysia, Brunei (models A3G A4G)	41R3224	1
Line Cord - UK, Ireland, Singapore, Malaysia, Brunei (models A3G A4G)	41R3225	1
Line Cord - Taiwan (models)	41R3278	1
Line Cord - Taiwan (models)	41R3279	1
Line Cord - Italy (models A3G A4G)	41R3232	1
Line Cord - Italy (models A3G A4G)	41R3233	1
Line Cord - Indonesia, Laos, Cambodia, and Vietnam (models)	41R3208	1
Line Cord - Indonesia, Laos, Cambodia, and Vietnam (models)	41R3209	1
Line Cord - Denmark (models A3G A4G)	41R3212	1
Line Cord - Denmark (models A3G A4G)	41R3213	1
Line Cord - Switzerland (models A3G A4G)	41R3228	1
Line Cord - Switzerland (models A3G A4G)	41R3229	1
Line Cord - Israel (models A3G A4G)	41R3236	1
Line Cord - Israel (models A3G A4G)	41R3237	1
Line Cord - South Africa (models A3G A4G)	41R3220	1
Line Cord - South Africa (models A3G A4G)	41R3221	1
Line Cord - India (models)	41R3341	1
Line Cord - India (models)	41R3175	1
Line Cord - Japan (models)	41R3248	1
Line Cord - Japan (models)	41R3249	1
Line Cord - ANZ (models)	41R3196	1
Line Cord - ANZ (models)	41R3197	1
Line Cord - Hong Kong (models)	41R3224	1
Line Cord - Hong Kong (models A3G A4G)	41R3225	1

9978 Windows XP Home Recovery CDs	FRU#	CRU
English (models)	45R6005	1
French (models)	45R6006	1

9978 Windows XP Home Recovery CDs	FRU#	CRU
German (models)	45R6007	1
Spanish (models)	45R6008	1
Brazil (models)	45R6009	1
Italian (models)	45R6010	1
Japanese (models)	45R6011	1
Norwegian (models)	45R6012	1
Swedish (models)	45R6013	1
Danish (models)	45R6014	1
Dutch (models)	45R6015	1
Czech (models)	45R6016	1
Finnish (models)	45R6017	1
Hebrew (models)	45R6018	1
Polish (models)	45R6019	1
Arabic (models)	45R6020	1
Russian (models)	45R6021	1
Turkish (models)	45R6022	1
Hungarian (models)	45R6023	1
Greek (models)	45R6024	1
Simplified Chinese (models)	45R6025	1
Taiwan (models)	45R6026	1
HongKong (models)	45R6027	1
Korea (models)	45R6028	1
Russian English (models)	45R6029	1
Portuguese (models)	45R6030	1

9978 Windows XP Pro Recovery CDs	FRU#	CRU
English (models A3G A1U A2U)	45R5979	1
French (models A1F A2F)	45R5980	1
German (models A3G A4G)	45R5981	1
Spanish (models A3G A4G)	45R5982	1
Brazil (models)	45R5983	1
Italian (models A3G A4G)	45R5984	1
Japanese (models)	45R5985	1
Norwegian (models A3G A4G)	45R5986	1
Swedish (models A3G A4G)	45R5987	1
Danish (models A3G A4G)	45R5988	1
Dutch (models A3G A4G)	45R5989	1
Czech (models A3G A4G)	45R5990	1
Finnish (models A3G A4G)	45R5991	1
Hebrew (models A3G A4G)	45R5992	1
Polish (models A3G A4G)	45R5993	1

9978 Windows XP Pro Recovery CDs	FRU#	CRU
Arabic (models A3G A4G)	45R5994	1
Russian (models A3G A4G)	45R5995	1
Turkish (models A3G A4G)	45R5996	1
Hungarian (models A3G A4G)	45R5997	1
Greek (models A3G A4G)	45R5998	1
Simplified Chinese (models)	45R5999	1
Taiwan (models)	45R6000	1
HongKong (models)	45R6001	1
Korea (models)	45R6002	1
Russian English (models A3G A4G)	45R6003	1
Portuguese (models A3G A4G)	45R6004	1
MUL 1 - EN, NL, FR, GR, IT (models A3G A4G)	45R5977	1
MUL 2 - EN, DK, FI, NO, SV (models A3G A4G)	45R5978	1

9978 Vista Home Basic 32 Recovery DVDs	FRU#	CRU
English (models A1U A1G A1M A1A A1Q A1H A1R A1E)	46R7098	1
Russian English (models A1G)	46R7099	1
French (models A1G)	46R7100	1
German (models A1G)	46R7101	1
Spanish (models A1S)	46R7102	1
Brazilian (models A1P)	46R7103	1
Italian (models A1G)	46R7104	1
Japanese (models A1J)	46R7105	1
Norwegian (models A1G)	46R7106	1
Swedish (models A1G)	46R1086	1
Danish (models A1G)	46R7107	1
Dutch (models A1G)	46R1088	1
Czech (models A1G)	46R1089	1
Finnish (models A1G)	46R1090	1
Polish (models A1G)	46R1091	1
Russian (models A1G)	46R7108	1
Turkish (models A1G)	46R1093	1
Hungarian (models A1G)	46R1094	1
Greek (models A1G)	46R1095	1
Simplified Chinese (models A1C)	46R7109	1
Taiwan (models A1V)	46R7110	1
HongKong (models A1H)	46R7111	1
Korea (models A1K)	46R1099	1
Slovenian (models A1G)	46R1100	1
Hebrew (models A1G)	46R1101	1
Portuguese (models A1G)	46R1102	1

9978 Vista Home Basic 32 Recovery DVDs	FRU#	CRU
Arabic Localized (models A1G)	46R1103	1
Slovakia (models A1G)	46R1104	1

9978 Vista Business 32 Recovery DVDs	FRU#	CRU
English (models A3G A1U A2U)	46R7070	1
Russian English (models A3G)	46R7071	1
French (models A1F A2F)	46R7072	1
German (models A3G)	46R7073	1
Spanish (models A3G)	46R7074	1
Brazilian (models)	46R7075	1
Italian (models A3G)	46R7076	1
Japanese (models)	46R7077	1
Norwegian (models A3G)	46R7078	1
Swedish (models A3G)	46R1028	1
Danish (models A3G)	46R7079	1
Dutch (models A3G)	46R1030	1
Czech (models A3G)	46R1031	1
Finnish (models A3G)	46R1032	1
Polish (models A3G)	46R1033	1
Russian (models A3G)	46R7080	1
Turkish (models A3G)	46R1035	1
Hungarian (models A3G)	46R1036	1
Greek (models A3G)	46R1037	1
Simplified Chinese (models)	46R7081	1
Traditional Chinese (models)	46R7082	1
Traditional Chinese (models)	46R7083	1
Korean (models)	46R1041	1
Slovenian (models A3G)	46R1042	1
Romanian (models A3G)	46R1043	1
Portuguese (models A3G)	46R1044	1
Sebian-Latin (models A3G)	46R1045	1
Slovakian (models A3G)	46R1046	1
Arabic Localized (models)	46R1047	1
Hebrew (models A3G)	46R1048	1

9978 Vista Ultimate 32 Recovery DVDs	FRU#	CRU
English (models)	45R5949	1
Russian English (models)	45R5950	1
French (models)	45R5951	1
German (models)	45R5952	1
Spanish (models)	45R5953	1

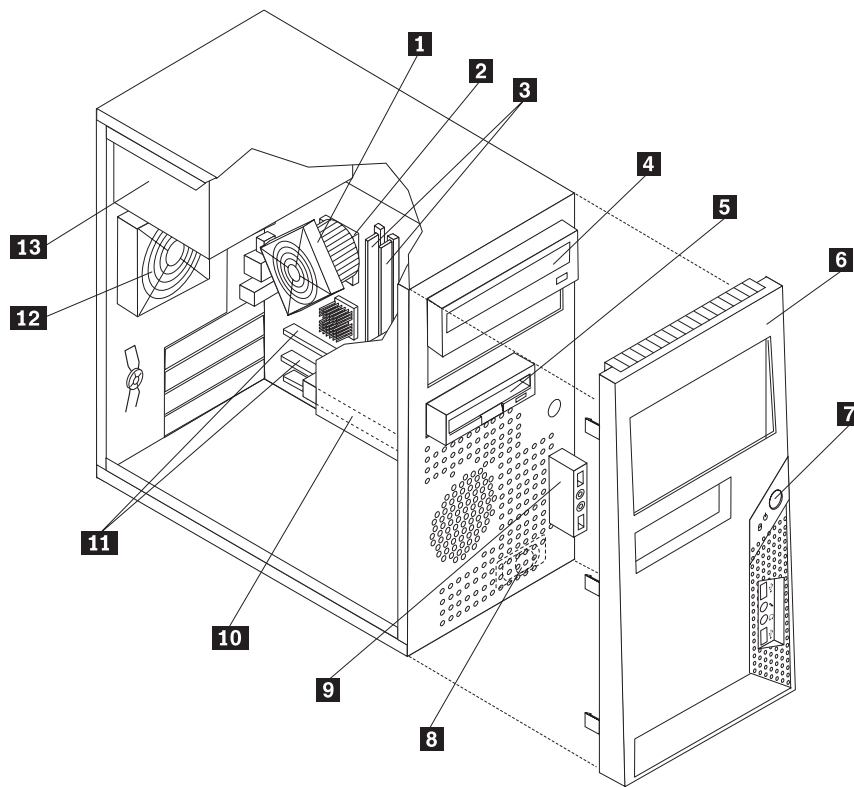
9978 Vista Ultimate 32 Recovery DVDs	FRU#	CRU
Brazilian (models)	45R5954	1
Italian (models)	45R5955	1
Japanese (models)	45R5956	1
Norwegian (models)	45R5957	1
Swedish (models)	45R5958	1
Danish (models)	45R5959	1
Dutch (models)	45R5960	1
Czech (models)	45R5961	1
Finnish (models)	45R5962	1
Polish (models)	45R5963	1
Russian (models)	45R5964	1
Turkish (models)	45R5965	1
Hungarian (models)	45R5966	1
Greek (models)	45R5967	1
Simplified Chinese (models)	45R5968	1
Traditional Chinese (models)	45R5969	1
Traditional Chinese (models)	45R5970	1
Korean (models)	45R5971	1
Slovenian (models)	45R5972	1
Hebrew (models)	45R5973	1
Portuguese (models)	45R5974	1
Slovakian (models)	45R5975	1
Arabic Localized (models)	45R5976	1

9978 XP Pro Recovery DVDs	FRU#	CRU
English (models)	45R8811	1
French (models)	45R8812	1
German (models)	45R8813	1
Spanish (models)	45R8814	1
Brazil (models)	45R8815	1
Italian (models)	45R8816	1
Japanese (models)	45R8817	1
Norwegian (models)	45R8818	1
Swedish (models)	45R8819	1
Danish (models)	45R8820	1
Dutch (models)	45R8821	1
Czech (models)	45R8822	1
Finnish (models)	45R8823	1
Hebrew (models)	45R8824	1
Polish (models)	45R8825	1
Arabic (models)	45R8826	1



9978 XP Pro Recovery DVDs	FRU#	CRU
Russian (models)	45R8827	1
Turkish (models)	45R8828	1
Hungarian (models)	45R8829	1
Greek (models)	45R8830	1
Simplified Chinese (models)	45R8831	1
Taiwan (models)	45R8832	1
HongKong (models)	45R8833	1
Korea (models)	45R8834	1
Russian English (models)	45R8835	1
Portuguese (models)	45R8836	1
Slovenian (models)	45R8837	1

## Machine Type 9979



Item #	9979 FRUs	FRU#	CRU Tier
1	Intel 65W/95w heatsink (all models)	43N9309	2
2	Microprocessor, Conroe E6300 Processor 1.86GHz 1066MHz FSB 2M L2 (models)	41X2495	N
2	Microprocessor, Core 2 Duo E6320 Processor 1.86GHz 1066MHz FSB 4M L2 (models)	43C3829	N
2	Microprocessor, Conroe E6400 Processor 2.13GHz 1066MHz FSB 2M L2 (models)	41X2496	N
2	Microprocessor, Core 2 Duo E6420 Processor 2.13GHz 1066MHz FSB 4M L2 (models)	43C3831	N
2	Microprocessor, Core 2 Duo E6550 Processor 2.33GHz 1333MHz FSB 4M L2 (models)	43C3833	N
2	Microprocessor, Conroe E6600 Processor 2.40GHz 1066MHz FSB 4M L2 (models)	41X5743	N
2	Microprocessor, Conroe E6700 Processor 2.67GHz 1066MHz FSB 4M L2 (models)	41X5744	N
2	Microprocessor, Core 2 Duo E6750 Processor 2.66GHz 1333MHz FSB 4M L2 G-0 Stepping Level, Mainstream/Value FMB, TXT support (models)	43C1693	N
2	Microprocessor, Core 2 Duo E6850 Processor 3GHz 1333MHz FSB 4M L2 G-0 Stepping Level, Mainstream/Value FMB, TXT support (models)	43C1694	N
2	Microprocessor, Core 2 Duo E2140 Processor 1.6GHz 800MHz FSB 1M L2 (models)	43C1967	N
2	Microprocessor, Core 2 Duo E2160 Processor 1.8GHz 800MHz FSB 1M L2 Core 2 Duo E2160 Processor 1.8GHz 800MHz FSB 1M L2 (models)	43C1968	N
2	Microprocessor, Core 2 Duo E4300 Processor 1.8GHz 800MHz FSB 2M L2 (models)	42Y8009	N
2	Microprocessor, Core 2 Duo E4400 Processor 2.0GHz 800MHz FSB 2M L2L-2 Stepping Level, Mainstream/Value FMB/ M0 Stepping Level, Mainstream/Value FMB (models)	43C2056	N

Item #	9979 FRUs	FRU#	CRU Tier
2	Microprocessor, Core 2 Duo E4500 Processor 2.2GHz 800MHz FSB 2M L2 (models)	43C6305	N
2	Microprocessor, Core 2 Duo E2220 Processor 2.4GHz 800MHz FSB 1M L2 65W (models)	45C1774	N
2	Microprocessor, Core 2 Duo E4700 Processor 2.6GHz 800MHz 2M 65W (models)	45R5786	N
2	Microprocessor, Core 2 Duo E6540 Processor 2.33GHz 1333MHz FSB 4M L2 (models)	43C6307	N
2	Microprocessor, Celeron 420 Processor 1.6GHz 800MHz FSB 512K L2 (models)	43C3835	N
2	Microprocessor, Celeron 430 Processor 1.8GHz 800MHz FSB 512K L2 (models)	43C1964	N
2	Microprocessor, Celeron 440 Processor 2.0GHz 800MHz FSB 512K L2 (models)	43C1965	N
2	Microprocessor, Q6600 KENTSFIELD G-0 8MB 4c LGA 2.4GHZ 1066FSB G-0 Stepping Level, 95W (models)	43C1695	N
2	Microprocessor, Q6700 KENTSFIELD G-0 8MB 4c LGA G-0 Stepping Level, 95W 2.66GHZ 1066FSB (models)	43C6309	N
2	Microprocessor, Core 2 Duo E4600 Processor 2.4GHz 800MHz FSB 2M L2 M-0 Stepping Level, Mainstream/Value FMB (models)	45C5282	N
2	Microprocessor, Core 2 Duo E2200 Processor 2.2GHz 800MHz FSB 1M L2 M-0 Stepping Level, Mainstream/Value FMB (models)	45C5349	N
2	Microprocessor, Core 2 Duo E8500 Processor 3.16GHz 1333MHz FSB 6M L2 65W (models)	45C7735	N
2	Microprocessor, Core 2 Duo E8400 Processor 3.0GHz 1333MHz FSB 6M L2 65W (models A1U A1F)	45C7736	N
2	Microprocessor, Core 2 Duo E8300 Processor 2.83GHz 1333MHz FSB 6M L2 65W (models)	45C7737	N
2	Microprocessor, Core 2 Duo E8200 Processor 2.66GHz 1333MHz FSB 6M L2 65W (models)	45C7738	N
2	Microprocessor, Core2 Duo E8190 Processor 1333/2600MHz 6M L2 65W Non vPro (models)	45R2568	N
2	Microprocessor, Core 2 Duo E7200 Processor 2.53GHz 1066MHz 3M L2 65W (models)	45R8337	N
2	Microprocessor, Dual Core E1400 Processor 2.0GHz 800MHz 512K L2 65W (models)	45R8339	N
2	Microprocessor, Dual Core E1200 Processor 1.6GHz 800MHz 512K (models)	45R8341	N
2	Microprocessor, Q9550 Yorkfield 2.83GHZ 1333FSB 12M 4/4 L2 95W C1 stepping (models)	45C7739	N
2	Microprocessor, Q9450 Yorkfield 2.66GHZ 1333FSB 12M 4/4 L2 95W C1 stepping (models)	45C7740	N
2	Microprocessor, Q9300 Yorkfield 2.50GHZ 1333FSB 6M 4/4 L2 95W M1 stepping (models A2U A2F)	45C7741	N
2	Microprocessor, Wolfdale Core 2 Duo E7300 Processor 2.66GHz 1066MHz FSB 3M L2 65W M0 Stepping (models)	46R1622	N
2	Microprocessor, Dual Core E1600 Processor 2.4GHz 800MHz 512K L2 65W M0 Stepping Level (models)	46R1655	N
2	Microprocessor, Core 2 Duo E2180 Processor 2.0GHz 800MHz FSB 1M L2 (models)	45C1773	N
3	Memory module, 512 MB PC2-5300 (667MHz) DDR2 SDRAM (models)	41X4255	2
3	Memory module, 1 GB PC2-5300 (667MHz) DDR2 SDRAM (models A1U A1F A2U A2F)	41X4256	2
3	Memory module, 2 GB PC2-5300 (667MHz) DDR2 SDRAM (models)	41X4257	2

Item #	9979 FRUs	FRU#	CRU Tier
3	Memory module, 512 MB PC2-6400 (800MHz) DDR2 SDRAM (models)	41X1079	2
3	Memory module, 1GB PC-6400 (800MHz) DDR2 SDRAM (models)	41X1080	2
3	Memory module, 2GB PC-6400 (800MHz) DDR2 SDRAM (models)	41X1081	2
4	DVD-ROM Drive - 16x/48x - SATA XP and Vista (models)	41N3325	2
4	DVD-ROM/CD-RW Combo Drive - 48x/32x/48x/16x (models)	42Y9353	2
4	DVD-Recordable /CD-RW Rambo 8 (models A1U A1F A2U A2F)	43C1042	2
5	Diskette drive, 3,5", 1.44MB, 3Mode,(w/bezel) (models)	40Y9105	2
5	Diskette drive, 3,5", 1.44MB, 3Mode,(w/bezel) (models)	40Y9107	2
6	Bezel assembly (all models)	41N8052	2
7	Power switch/LED assembly (all models)	41N5284	2
8	Speaker assembly, soldered terminals (all models)	39P5023	2
9	Front audio/USB assembly (all models)	41N8054	2
10	Hard disk drive, 160GB (7200RPM), Serial ATA (models A1U A1F A2U A2F)	40Y9035	2
10	Hard disk drive, 80GB Hard Drive (7200RPM) Serial ATA (models)	40Y9034	2
10	Hard disk drive, 250 GB 7200rpm SATA (models)	40Y9036	2
10	Hard disk drive, 320 GB 7200rpm SATA (models)	87H4891	2
10	Hard disk drive, 500GB Hard Drive (7200RPM) Serial ATA (models)	41X5582	2
11	System board, Tamdhu II - Saturn non AMT(GA) support 45nm processor (Hard from 45R5312) (models)	46R1842	N
11	System board, Tamdhu II - Saturn AMT(GA) support 45nm processor (Hard from 45R5313) (models A1U A1F A2U A2F)	46R1843	N
12	Fan, Rear (4pin) Included in chassis shell (all models)	41R6269	2
13	Power supply, 280 Watt ATX Power Supply - Standard, Robust (models A1U A1F A2U A2F)	41A9684	2
13	Power supply, 310 Watt ATX Power Supply - Standard, Robust, JP (models A1U A1F A2U A2F)	41A9726	2
13	Power supply, 280 Watt ATX Power Supply (80plus) - Standard, Robust, JP (models)	41A9665	2

The FRUs listed in the following tables are not illustrated.

9979 FRUs	FRU#	CRU Tier
Shield, 5.25 EMC (all models)	41N8080	2
Shield, diskette drive EMC (all models)	41N8078	2
Cable, Diskette drive (RoHs) (all models)	41A7182	2
Kit, Miscellaneous hardware (all models)	41N8055	2
Retainer, Card Reader (all models)	41R2913	2
Optional HDD Bracket Asm, without 4Pin cable (all models)	41R6106	2
Intrusion Switch asm (all models)	41R6116	2
Bezel, without IBM mark (all models)	41R6243	2
Cover, left side (all models)	41N8050	1
Chassis without IBM mark (all models)	41R6241	N
Hard disk drive tray (all models)	41R6291	2

9979 FRUs	FRU#	CRU Tier
Fan, front (all models)	41R4791	2
SATA cable,457mm,1 latching for device,RoHS (all models)	43N9013	2
SATA cable,250mm,1 latching for device,RoHS (all models)	43N9012	2
Cable, Temp Sense Cable (460mm) (all models)	41R2509	2
Blank 5.25" Bezel (all models)	41N8077	2
ODD/FDD/Cardreader Retainers (all models)	43N9351	2
20-in-1 Card Reader (all models)	45R8139	2
Temp Sense Cable (165 mm) (all models)	43N9079	2

9979 Keyboards (USB Preferred - without hub)	FRU#	CRU Tier
US English (models A1U A2U)	41A5289	1
Arabic (models)	41A5290	1
Arabic/French (models)	41A5291	1
Belgian/French (models)	41A5292	1
Belgian/UK (models)	41A5293	1
Brazilian (models)	41A5294	1
Bulgarian (models)	41A5295	1
Chinese/US (models)	41A5296	1
Czech (models)	41A5297	1
Danish (models)	41A5298	1
Dutch (models)	41A5299	1
French (models A1F A2F)	41A5300	1
French Canadian 445 (models A1F A2F)	41A5301	1
French Canadian 58 (models)	41A5302	1
German (models)	41A5303	1
Greek (models)	41A5304	1
Greek/US (models)	41A5305	1
Hebrew (models)	41A5306	1
Hungarian (models)	41A5307	1
Iceland (models)	41A5308	1
Japanese (models)	41A5310	1
Korean (models)	41A5311	1
LA Spanish (models)	41A5312	1
Italian 141 (models)	41A5309	1
Norwegian (models)	41A5313	1
Polish (models)	41A5314	1
Portuguese (models)	41A5315	1
Romanian 096 (models)	41A5317	1
Romanian 446 (models)	41A5316	1
Russian/Cyrillic (models)	41A5318	1
Serbian/Cyrillic (models)	41A5319	1

9979 Keyboards (USB Preferred - without hub)	FRU#	CRU Tier
Slovak (models)	41A5320	1
Spanish (models)	41A5321	1
Swedish/Finn (models)	41A5322	1
Swiss (models)	41A5323	1
Thailand (models)	41A5324	1
Turkish 440 (models)	41A5325	1
Turkish 179 (models)	41A5326	1
UK English (models)	41A5327	1
US Euro (models)	41A5328	1
Slovenian (models)	41A5329	1

9979 Keyboards (Fingerprint Reader USB)	FRU#	CRU Tier
US English (models)	41A5248	1
Arabic (models)	41A5249	1
Arabic/French (models)	41A5250	1
Belgian/French (models)	41A5251	1
Belgian/UK (models)	41A5252	1
Brazil/Portuguese (models)	41A5253	1
Bulgarian (models)	41A5254	1
Chinese (models)	41A5255	1
Czech (models)	41A5256	1
Danish (models)	41A5257	1
Dutch (models)	41A5258	1
French (models)	41A5259	1
French Canadian 445 (models)	41A5260	1
French Canadian 58 (models)	41A5261	1
German (models)	41A5262	1
Greek (models)	41A5263	1
Greek/US (models)	41A5264	1
Hebrew (models)	41A5265	1
Hungarian (models)	41A5266	1
Iceland (models)	41A5267	1
Italian 141 (models)	41A5268	1
Japanese (models)	41A5269	1
Korean (models)	41A5270	1
LA Spanish (models)	41A5271	1
Norwegian (models)	41A5272	1
Polish (models)	41A5273	1
Portuguese (models)	41A5274	1
Romanian 096 (models)	41A5275	1
Romanian 446 (models)	41A5276	1

<b>9979 Keyboards (Fingerprint Reader USB)</b>	<b>FRU#</b>	<b>CRU Tier</b>
Russian/Cyrillic (models)	41A5277	1
Serbian/Cyrillic (models)	41A5278	1
Slovak (models)	41A5279	1
Spanish (models)	41A5280	1
Swedish/Finn (models)	41A5281	1
Swiss (models)	41A5282	1
Thailand (models)	41A5283	1
Turkish 440 (models)	41A5284	1
Turkish 179 (models)	41A5285	1
UK English (models)	41A5286	1
US Euro (models)	41A5287	1
Slovenian (models)	41A5288	1

<b>9979 mice</b>	<b>FRU#</b>	<b>CRU Tier</b>
Optical Wheel Mouse (400DPI, USB) (all models)	41U3013	1
Optical Wheel Mouse (400DPI, USB) (all models)	41U3030	1
PS/2 Three Button ball mouse (models)	41R0018	1

<b>9979 Adapters and miscellaneous FRUs</b>	<b>FRU#</b>	<b>CRU</b>
IEEE 1394 Firewire Adapter (ATX) (models CTO)	41D2781	2
Soft Modem V.90/V.44 -ATX (models)	29R9729	2
Speakers, Lenovo Branded (models)	41A5334	1
Speaker Power brick - US, Canada, LA low voltage, ASEAN (models A1U A2U)	89P8571	1
Speaker Power brick - LA high voltage (non-APU) (models)	89P8575	1
Speaker Power brick - China, Thailand (models)	89P8581	1
Speaker Power brick - Japan (models)	89P8577	1
Speaker Power brick - ANZ (models)	89P8579	1
Speaker Power brick - Brazil (models)	89P8583	1
Speaker Brick - Korea (models)	41A4903	1
Speaker Power brick - Hong Kong, Malaysia, Singapore, UK, Brunei (models)	89P8573	1
Speaker Brick - Taiwan (models)	41A4905	1
Speaker Power brick - India, South Africa (models)	89P8585	1
Thermal Grease Syringe (models)	91P8835	N
ATI HD 2600XT(RV630XT) 512MB 128BIT ATX, PCIe x16, Dual DVI-I/S-Video (models)	43C0261	2
DVI-VGA Dongle (models)	45C7816	1
USB2.0 MEMORY CARDREADER,6X2,ROHS (models)	45R1883	2
Dongle DMS-59 to dual VGA cable (models)	42Y8181	1
Dongle DMS-59 to single VGA & singleDVI cable (models)	42Y8183	1
Dongle DMS-59 to dual DVI - I cable (models)	41X6398	1
ATI RV610 256M LP, PCIe x16, DMS59/S-Video (models)	46R4160	2
ATI RV610 128M ATX, PCIe x16, DMS59/S-Video (models)	46R4159	2

9979 Adapters and miscellaneous FRUs	FRU#	CRU
New Casper DVI-D card,full height, support HDCP (models A3G)	43C0258	2

9979 Power Cords	FRU#	CRU Tier
Line Cord - US (models A1U A1F A2U A2F)	41R3184	1
Line Cord - US (models A1U A1F A2U A2F)	41R3185	1
Line Cord - China (models)	41R3256	1
Line Cord - China (models)	41R3257	1
Line Cord - Brazil (models)	41R3270	1
Line Cord - Brazil (models)	41R3271	1
Line Cord - LA High Volt (APU) (models)	41R3176	1
Line Cord - LA High Volt (APU) (models)	41R3177	1
Line Cord - Korea (models)	41R3260	1
Line Cord - Korea (models)	41R3261	1
Line Cord - UK, Ireland, Singapore, Malaysia, Brunei (models)	41R3224	1
Line Cord - UK, Ireland, Singapore, Malaysia, Brunei (models)	41R3225	1
Line Cord - Taiwan (models)	41R3278	1
Line Cord - Taiwan (models)	41R3279	1
Line Cord - Italy (models A3G)	41R3232	1
Line Cord - Italy (models A3G)	41R3233	1
Line Cord - Indonesia, Laos, Cambodia, and Vietnam (models)	41R3208	1
Line Cord - Indonesia, Laos, Cambodia, and Vietnam (models)	41R3209	1
Line Cord - Denmark (models)	41R3212	1
Line Cord - Denmark (models)	41R3213	1
Line Cord - Switzerland (models)	41R3228	1
Line Cord - Switzerland (models)	41R3229	1
Line Cord - Israel (models)	41R3236	1
Line Cord - Israel (models)	41R3237	1
Line Cord - South Africa (models)	41R3220	1
Line Cord - South Africa (models)	41R3221	1
Line Cord - India (models)	41R3341	1
Line Cord - India (models)	41R3175	1
Line Cord - Japan (models)	41R3248	1
Line Cord - Japan (models)	41R3249	1
Line Cord - ANZ (models)	41R3196	1
Line Cord - ANZ (models)	41R3197	1
Line Cord - Hong Kong (models)	41R3224	1
Line Cord - Hong Kong (models)	41R3225	1

9979 Windows XP Home Recovery CDs	FRU#	CRU
English (models)	45R6005	1
French (models)	45R6006	1



9979 Windows XP Home Recovery CDs	FRU#	CRU
German (models)	45R6007	1
Spanish (models)	45R6008	1
Brazil (models)	45R6009	1
Italian (models)	45R6010	1
Japanese (models)	45R6011	1
Norwegian (models)	45R6012	1
Swedish (models)	45R6013	1
Danish (models)	45R6014	1
Dutch (models)	45R6015	1
Czech (models)	45R6016	1
Finnish (models)	45R6017	1
Hebrew (models)	45R6018	1
Polish (models)	45R6019	1
Arabic (models)	45R6020	1
Russian (models)	45R6021	1
Turkish (models)	45R6022	1
Hungarian (models)	45R6023	1
Greek (models)	45R6024	1
Simplified Chinese (models)	45R6025	1
Taiwan (models)	45R6026	1
HongKong (models)	45R6027	1
Korea (models)	45R6028	1
Russian English (models)	45R6029	1
Portuguese (models)	45R6030	1

9979 Windows XP Pro Recovery CDs	FRU#	CRU
English (models A1U A2U)	45R5979	1
French (models A1F A2F)	45R5980	1
German (models)	45R5981	1
Spanish (models)	45R5982	1
Brazil (models)	45R5983	1
Italian (models)	45R5984	1
Japanese (models)	45R5985	1
Norwegian (models)	45R5986	1
Swedish (models)	45R5987	1
Danish (models)	45R5988	1
Dutch (models)	45R5989	1
Czech (models)	45R5990	1
Finnish (models)	45R5991	1
Hebrew (models)	45R5992	1
Polish (models)	45R5993	1

9979 Windows XP Pro Recovery CDs	FRU#	CRU
Arabic (models)	45R5994	1
Russian (models)	45R5995	1
Turkish (models)	45R5996	1
Hungarian (models)	45R5997	1
Greek (models)	45R5998	1
Simplified Chinese (models)	45R5999	1
Taiwan (models)	45R6000	1
HongKong (models)	45R6001	1
Korea (models)	45R6002	1
Russian English (models)	45R6003	1
Portuguese (models)	45R6004	1
MUL 1 - EN, NL, FR, GR, IT (models)	45R5977	1
MUL 2 - EN, DK, FI, NO, SV (models)	45R5978	1

9979 Vista Home Basic 32 Recovery DVDs	FRU#	CRU
English (models)	46R7098	1
Russian English (models)	46R7099	1
French (models)	46R7100	1
German (models)	46R7101	1
Spanish (models)	46R7102	1
Brazilian (models)	46R7103	1
Italian (models)	46R7104	1
Japanese (models)	46R7105	1
Norwegian (models)	46R7106	1
Swedish (models)	46R1086	1
Danish (models)	46R7107	1
Dutch (models)	46R1088	1
Czech (models)	46R1089	1
Finnish (models)	46R1090	1
Polish (models)	46R1091	1
Russian (models)	46R7108	1
Turkish (models)	46R1093	1
Hungarian (models)	46R1094	1
Greek (models)	46R1095	1
Simplified Chinese (models)	46R7109	1
Taiwan (models)	46R7110	1
HongKong (models)	46R7111	1
Korea (models)	46R1099	1
Slovenian (models)	46R1100	1
Hebrew (models)	46R1101	1
Portuguese (models)	46R1102	1

9979 Vista Home Basic 32 Recovery DVDs	FRU#	CRU
Arabic Localized (models)	46R1103	1
Slovakia (models)	46R1104	1

9979 Vista Business 32 Recovery DVDs	FRU#	CRU
English (models A1U A2U)	46R7070	1
Russian English (models)	46R7071	1
French (models A1F A2F)	46R7072	1
German (models)	46R7073	1
Spanish (models)	46R7074	1
Brazilian (models)	46R7075	1
Italian (models)	46R7076	1
Japanese (models)	46R7077	1
Norwegian (models)	46R7078	1
Swedish (models)	46R1028	1
Danish (models)	46R7079	1
Dutch (models)	46R1030	1
Czech (models)	46R1031	1
Finnish (models)	46R1032	1
Polish (models)	46R1033	1
Russian (models)	46R7080	1
Turkish (models)	46R1035	1
Hungarian (models)	46R1036	1
Greek (models)	46R1037	1
Simplified Chinese (models)	46R7081	1
Traditional Chinese (models)	46R7082	1
Traditional Chinese (models)	46R7083	1
Korean (models)	46R1041	1
Slovenian (models)	46R1042	1
Romanian (models)	46R1043	1
Portuguese (models)	46R1044	1
Sebian-Latin (models)	46R1045	1
Slovakian (models)	46R1046	1
Arabic Localized (models)	46R1047	1
Hebrew (models)	46R1048	1

9979 Vista Ultimate 32 Recovery DVDs	FRU#	CRU
English (models)	45R5949	1
Russian English (models)	45R5950	1
French (models)	45R5951	1
German (models)	45R5952	1
Spanish (models)	45R5953	1

9979 Vista Ultimate 32 Recovery DVDs	FRU#	CRU
Brazilian (models)	45R5954	1
Italian (models)	45R5955	1
Japanese (models)	45R5956	1
Norwegian (models)	45R5957	1
Swedish (models)	45R5958	1
Danish (models)	45R5959	1
Dutch (models)	45R5960	1
Czech (models)	45R5961	1
Finnish (models)	45R5962	1
Polish (models)	45R5963	1
Russian (models)	45R5964	1
Turkish (models)	45R5965	1
Hungarian (models)	45R5966	1
Greek (models)	45R5967	1
Simplified Chinese (models)	45R5968	1
Traditional Chinese (models)	45R5969	1
Traditional Chinese (models)	45R5970	1
Korean (models)	45R5971	1
Slovenian (models)	45R5972	1
Hebrew (models)	45R5973	1
Portuguese (models)	45R5974	1
Slovakian (models)	45R5975	1
Arabic Localized (models)	45R5976	1

9979 XP Pro Recovery DVDs	FRU#	CRU
English (models)	45R8811	1
French (models)	45R8812	1
German (models)	45R8813	1
Spanish (models)	45R8814	1
Brazil (models)	45R8815	1
Italian (models)	45R8816	1
Japanese (models)	45R8817	1
Norwegian (models)	45R8818	1
Swedish (models)	45R8819	1
Danish (models)	45R8820	1
Dutch (models)	45R8821	1
Czech (models)	45R8822	1
Finnish (models)	45R8823	1
Hebrew (models)	45R8824	1
Polish (models)	45R8825	1
Arabic (models)	45R8826	1

9979 XP Pro Recovery DVDs	FRU#	CRU
Russian (models)	45R8827	1
Turkish (models)	45R8828	1
Hungarian (models)	45R8829	1
Greek (models)	45R8830	1
Simplified Chinese (models)	45R8831	1
Taiwan (models)	45R8832	1
HongKong (models)	45R8833	1
Korea (models)	45R8834	1
Russian English (models)	45R8835	1
Portuguese (models)	45R8836	1
Slovenian (models)	45R8837	1



---

## Chapter 11. Additional Service Information

This chapter provides additional information that the service representative might find helpful.

---

### Security features

Security features in this section include the following:

- Passwords
- Vital Product Data
- Management Information Format (MIF)

### Hardware controlled Passwords

Hardware controlled passwords are set using the Setup Utility program. For more information about passwords, see "Using passwords" on page 51.

### Operating system password

An operating system password is very similar to a power-on password and denies access to the computer by an unauthorized user when the password is activated. The computer is unusable until the password is entered and recognized by the computer.

### Vital product data

Each computer has a unique Vital Product Data (VPD) code stored in the nonvolatile memory on the system board. After you replace the system board, the VPD must be updated. To update the VPD, see "Updating (flashing) BIOS from a CD-ROM or diskette" on page 442.

---

### BIOS levels

An incorrect level of BIOS can cause false errors and unnecessary FRU replacement. Use the following information to determine the current level of BIOS installed in the computer, the latest BIOS available for the computer, and where to obtain the latest level of BIOS.

- To determine the current Level of BIOS:
  - Start the Setup Utility.
  - Select Standard CMOS Features.
- Sources for obtaining the latest level BIOS available
  1. Lenovo support web site:  
<http://www.lenovo.com/support/>
  2. Lenovo Customer Support Center
  3. Levels 1 and 2 Support

To update (flash) the BIOS, see "Updating (flashing) BIOS from a CD-ROM or diskette" on page 442.

---

## Updating (flashing) BIOS from a CD-ROM or diskette

This section describes how to update (flash) the BIOS using a CD-ROM or diskette. System program updates are available at <http://www.lenovo.com/support> on the World Wide Web.

1. To update (flash) the BIOS:
  - If using a CD-ROM, make sure the computer is turned on. Insert the system program update (flash) CD-ROM into the optical drive. The update begins.
  - If using a diskette, make sure the computer is turned off. Insert the system program update (flash) diskette and turn on the computer. The update begins.
2. When you are prompted to select a language, press the number on your keyboard that corresponds to the language and then press **Enter**.
3. When prompted to change the serial number, press **Y**.
4. Type the seven-character serial number of your computer and then press **Enter**.
5. When prompted to change the machine type/model, press **Y**.
6. Type the seven-character machine type/model of your computer and then press **Enter**.
7. Follow the instructions on the screen to complete the update.

---

## Recovering from a POST/BIOS update failure

**Attention:** If an interruption occurs during a POST/BIOS update (flash update), the computer might not restart correctly. If this occurs, perform the following procedure (also known as a Boot-block recovery).

**Note:** If your computer has no internal diskette drive, an optional USB diskette drive must be connected to use the BIOS flash diskette.

1. Remove power from the system and open the cover.
2. Remove any parts necessary to gain access to the Clear CMOS/Recovery jumper.
3. Move the Clear CMOS/Recovery jumper from the standard position (pins 1 and 2) to pins 2 and 3.
4. Insert the BIOS flash diskette in the diskette drive.
5. Close the cover and reconnect the computer power cord to the computer and to an electrical outlet. Turn on the computer.
6. The recovery session takes two to three minutes and starts with two short beeps. Video will be displayed after a short period, indicating that the recovery process has started.
7. When the flash recovery completes and the computer turns off, unplug the computer and open the cover.
8. Move the Clear CMOS/Recovery jumper back to the original position (pins 1 and 2).
9. Remove the BIOS flash diskette from the diskette drive.
10. Close or install the cover and reconnect all external cables.
11. Plug in computer and power on.



---

## Power management

Power management reduces the power consumption of certain components of the computer such as the system power supply, processor, hard disk drives, and some monitors.

### Automatic configuration and power interface (ACPI) BIOS

Being an ACPI BIOS system, the operating system is allowed to control the power management features of the computer and the setting for Advanced Power Management (APM) BIOS mode is ignored. Not all operating systems support ACPI BIOS mode.

### Automatic Power-On features

The Automatic Power-On features within the Power Management menu allow you to enable and disable features that turn on the computer automatically.

- **Serial Port A Ring Detect:** With this feature set to **Enabled** and an external modem connected to serial port (COM1), the computer will turn on automatically when a ring is detected on the modem.
- **PCI Modem Ring Detect:** With this feature set to **Enabled**, the computer will turn on automatically when a ring is detected on the internal modem.
- **PCI Wake Up:** This feature allows PCI cards that support this capability to wake the system.
- **Wake Up on Alarm:** You can specify a date and time at which the computer will be turned on automatically. This can be either a single event or a daily event.
- **Wake on LAN:** If the computer has a properly configured token-ring or Ethernet LAN adapter card that is Wake on LAN-enabled and there is remote network management software, you can use the Wake on LAN feature. When you set Wake on LAN to **Enabled**, the computer will turn on when it receives a specific signal from another computer on the local area network (LAN).



---

## Appendix. Notices

Lenovo may not offer the products, services, or features discussed in this document in all countries. Consult your local Lenovo representative for information on the products and services currently available in your area. Any reference to a Lenovo product, program, or service is not intended to state or imply that only that Lenovo product, program, or service may be used. Any functionally equivalent product, program, or service that does not infringe any Lenovo intellectual property right may be used instead. However, it is the user's responsibility to evaluate and verify the operation of any other product, program, or service.

Lenovo may have patents or pending patent applications covering subject matter described in this document. The furnishing of this document does not give you any license to these patents. You can send license inquiries, in writing, to:

*Lenovo (United States), Inc.  
1009 Think Place - Building One  
Morrisville, NC 27560  
U.S.A.  
Attention: Lenovo Director of Licensing*

LENOVO PROVIDES THIS PUBLICATION "AS IS" WITHOUT WARRANTY OF ANY KIND, EITHER EXPRESS OR IMPLIED, INCLUDING, BUT NOT LIMITED TO, THE IMPLIED WARRANTIES OF NON-INFRINGEMENT, MERCHANTABILITY OR FITNESS FOR A PARTICULAR PURPOSE. Some jurisdictions do not allow disclaimer of express or implied warranties in certain transactions, therefore, this statement may not apply to you.

This information could include technical inaccuracies or typographical errors. Changes are periodically made to the information herein; these changes will be incorporated in new editions of the publication. Lenovo may make improvements and/or changes in the product(s) and/or the program(s) described in this publication at any time without notice.

The products described in this document are not intended for use in implantation or other life support applications where malfunction may result in injury or death to persons. The information contained in this document does not affect or change Lenovo product specifications or warranties. Nothing in this document shall operate as an express or implied license or indemnity under the intellectual property rights of Lenovo or third parties. All information contained in this document was obtained in specific environments and is presented as an illustration. The result obtained in other operating environments may vary.

Lenovo may use or distribute any of the information you supply in any way it believes appropriate without incurring any obligation to you.

Any references in this publication to non-Lenovo Web sites are provided for convenience only and do not in any manner serve as an endorsement of those Web sites. The materials at those Web sites are not part of the materials for this Lenovo product, and use of those Web sites is at your own risk.

Any performance data contained herein was determined in a controlled environment. Therefore, the result obtained in other operating environments may

vary significantly. Some measurements may have been made on development-level systems and there is no guarantee that these measurements will be the same on generally available systems. Furthermore, some measurements may have been estimated through extrapolation. Actual results may vary. Users of this document should verify the applicable data for their specific environment.

---

## Television output notice

The following notice applies to models that have the factory-installed television-output feature.

This product incorporates copyright protection technology that is protected by method claims of certain U.S. patents and other intellectual property rights owned by Macrovision Corporation and other rights owners. Use of this copyright protection technology must be authorized by Macrovision Corporation, and is intended for home and other limited viewing uses only unless otherwise authorized by Macrovision Corporation. Reverse engineering or disassembly is prohibited.

---

## Trademarks

The following terms are trademarks of Lenovo in the United States, other countries, or both:

- Lenovo
- ThinkCentre
- PS/2
- Rescue and Recovery

The following terms are trademarks of International Business Machines Corporation in the United States, other countries, or both:

- Asset ID
- Alert on LAN
- IBM (used under license)
- Wake on LAN

Intel and Pentium are trademarks of Intel Corporation in the United States, other countries, or both.

Microsoft and Windows are trademarks of Microsoft Corporation in the United States, other countries, or both.

Other company, product, or service names may be trademarks or service marks of others.



**lenovo**®

Part Number: 43C6737

Printed in USA

(1P) P/N: 43C6737

